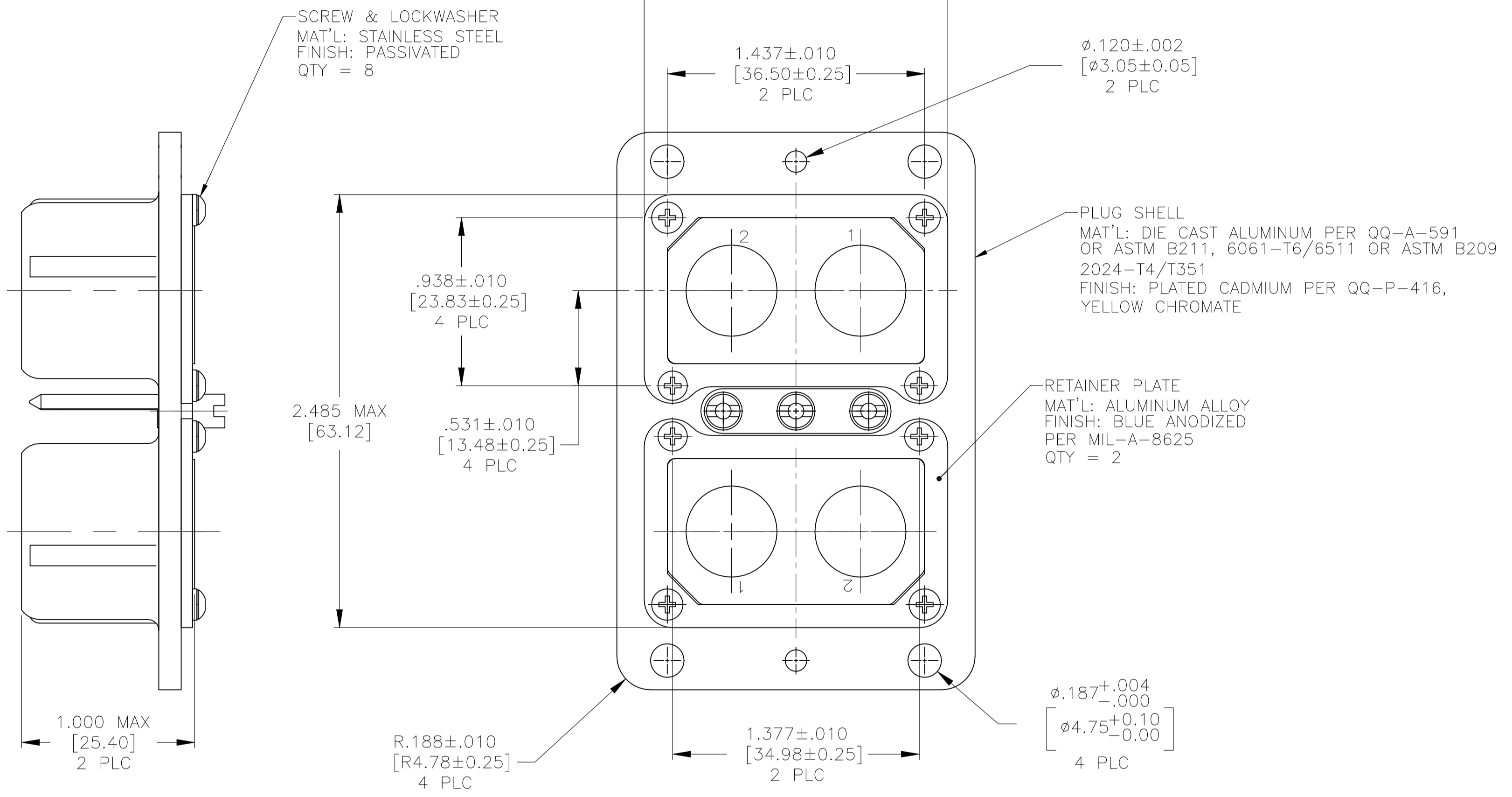
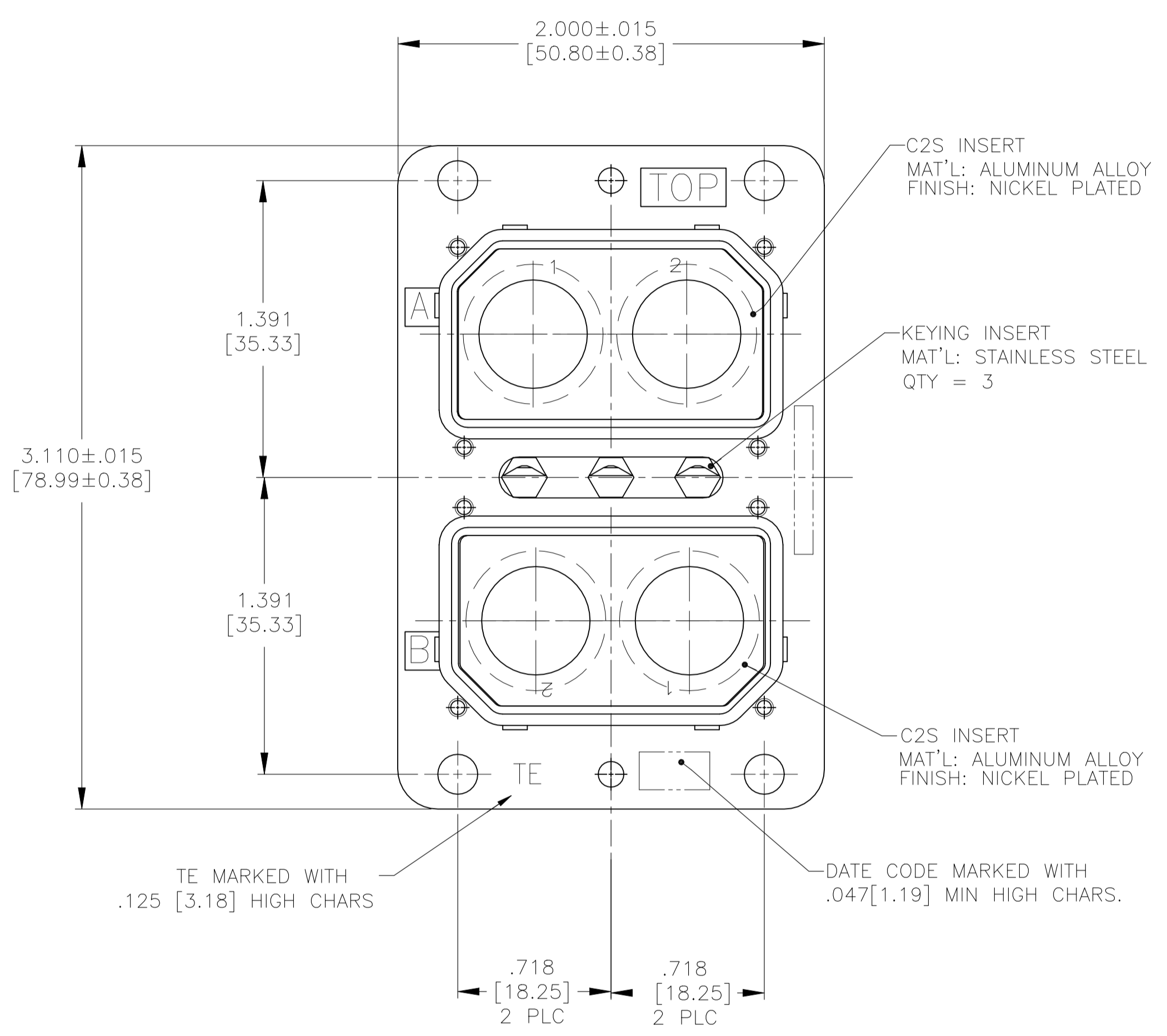


| REVISIONS |     |                       |         |     |      |
|-----------|-----|-----------------------|---------|-----|------|
| P         | LTR | DESCRIPTION           | DATE    | BYN | APVD |
| F         |     | REV PER ECO 20-015430 | 5-24-21 | CT  | RL   |



- CONNECTOR DIMENSIONS ARE PER ARINC 404 SPECIFICATION.
- KEYING SHOWN IN POSITION "01" FOR ILLUSTRATION ONLY. CONNECTORS SHIPPED WITH KEYING INSTALLED IN POSITION PER TABLE. FOR POSITION "00" KEYING HARDWARE SHIPPED UNASSEMBLED.

|                 |           |
|-----------------|-----------|
| "02"            | 1757677-2 |
| "01"            | 1757677-1 |
| KEYING POSITION | PART NO.  |

THIS DRAWING IS A CONTROLLED DOCUMENT.

|                    |  |                        |                      |                       |              |
|--------------------|--|------------------------|----------------------|-----------------------|--------------|
| DIMENSIONS: INCHES | TOLERANCES UNLESS OTHERWISE SPECIFIED: | DIN C.C.THOMAS 1-27-05 | CHK LARRY OH 1-27-05 | APVD LARRY OH 1-27-05 | NAME         |
| 0 PLC ± .005       | 1 PLC ± .005                           | 2 PLC ± .005           | 3 PLC ± .005 [0.13]  | 4 PLC ± .005          | ANGLE ± .005 |
| MATERIAL           | FINISH                                 | WEIGHT                 | 0.000000             | A1 00779              | C=1757677    |
| CUSTOMER DRAWING   |  | SCALE                  | 2:1                  | SHEET                 | 1 of 1       |

PLUG ASSY,ARINC 404,R2PC2SC2S-46XX (201)  
 TE Connectivity  
 RESTRICTED TO