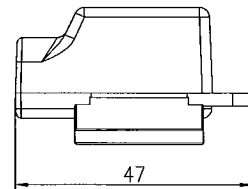
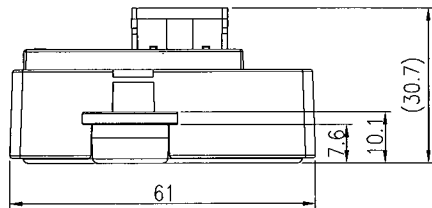
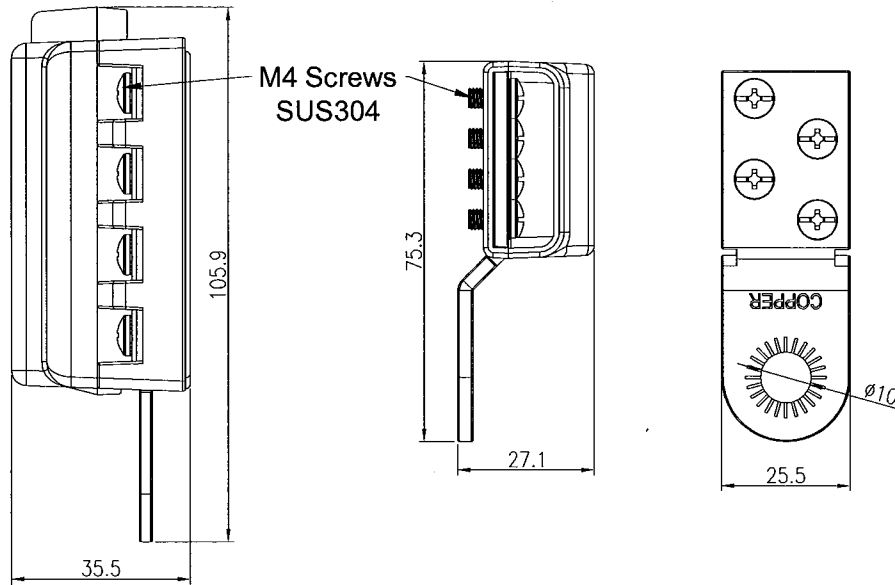
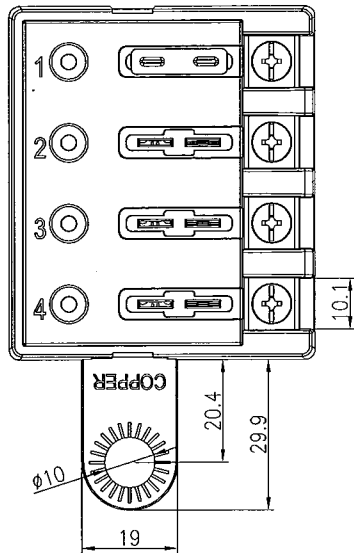


Voltage (Max.)	32 VDC.		
Input Terminal Rating	Ø10 mm threaded studs (100A max. tested by 4 pcs. 25A load.)		
Output Terminal Rating	30A max. per circuit.		<b>Circuit Diagram</b> 
Connection Pad Option Available	Input wire size : #4-6 AWG. Output wire size : #12-16 AWG.		
Fuse Specifications	For Blade Fuses Used Only		
Torque Rating	20 in-lb (2.25Nm) max.		
Mounting Torque Rating	8 in-lb (0.9Nm) max.		
Temperature Rating	-20 °C to 85 °C		



Material :  
 Cover : PC, Transparent.  
 Housing , Base : PBT, Red.  
 Terminal : Tin, plating Copper.

Notes :  
 Rating 100A max. tested by 4 pcs. 25A load.  
 Tolerance ±1.0 except noticed

A3

Drawn	Checked	Approved	SCI BOM No.	1310880	Model Name	BLADE FUSE BOX	
洪啟峰			Customer No.		Model No.	R3-108-07-3104	Rev.
Date	Name	Description	No.	11/27/19	Unit	mm	0
				11/29/19			
				11/28/19			
					Shin Chin Industrial Co., Ltd.		