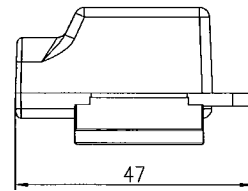
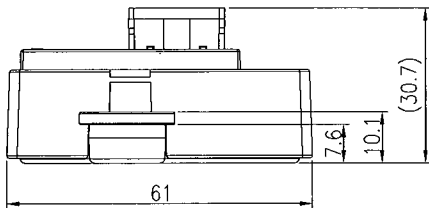
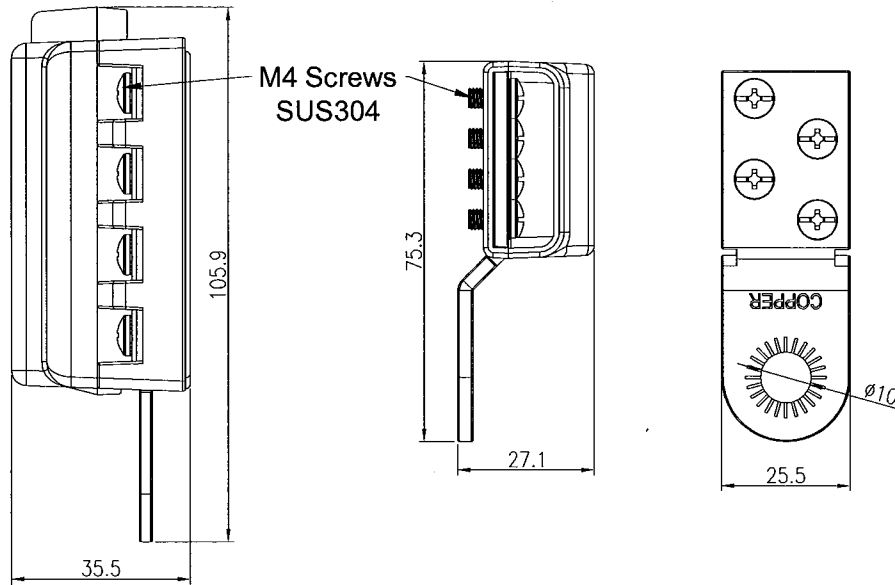
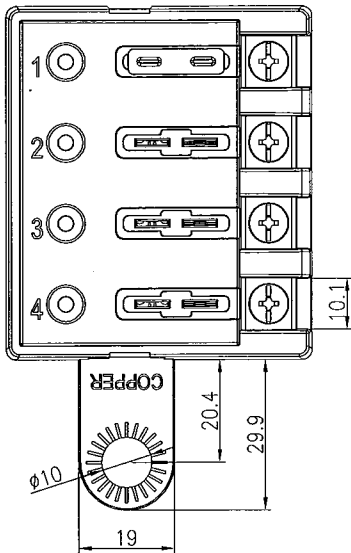


Voltage (Max.)	32 VDC.		
Input Terminal Rating	Ø10 mm threaded studs (100A max. tested by 4 pcs. 25A load.)		
Output Terminal Rating	30A max. per circuit.		
Connection Pad Option Available	Input wire size : #4-6 AWG. Output wire size : #12-16 AWG.		
Fuse Specifications	For Blade Fuses Used Only		
Torque Rating	20 in-lb (2.25Nm) max.		
Mounting Torque Rating	8 in-lb (0.9Nm) max.		
Temperature Rating	-20 °C to 85 °C		

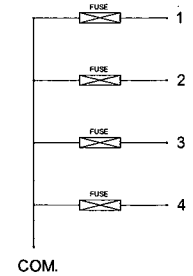


原稿
2019.11.28
研發部

Material :
Cover : PC, Transparent.
Housing , Base : PBT, Red.
Terminal : Tin, plating Copper.

Notes :
Rating 100A max. tested by 4 pcs. 25A load.
Tolerance ±1.0 except noticed

Circuit Diagram



A3

Drawn	Checked	Approved	SCI BOM No.	1310880	Model Name	BLADE FUSE BOX		
洪啟峰			Customer No.		Model No.	R3-108-07-3104	Rev.	
Date	Name	Description	No.	11/27/19	Unit	mm	0	
				11/29/19				
				11/28/19				
							Shin Chin Industrial Co., Ltd.	