
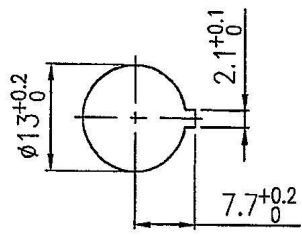
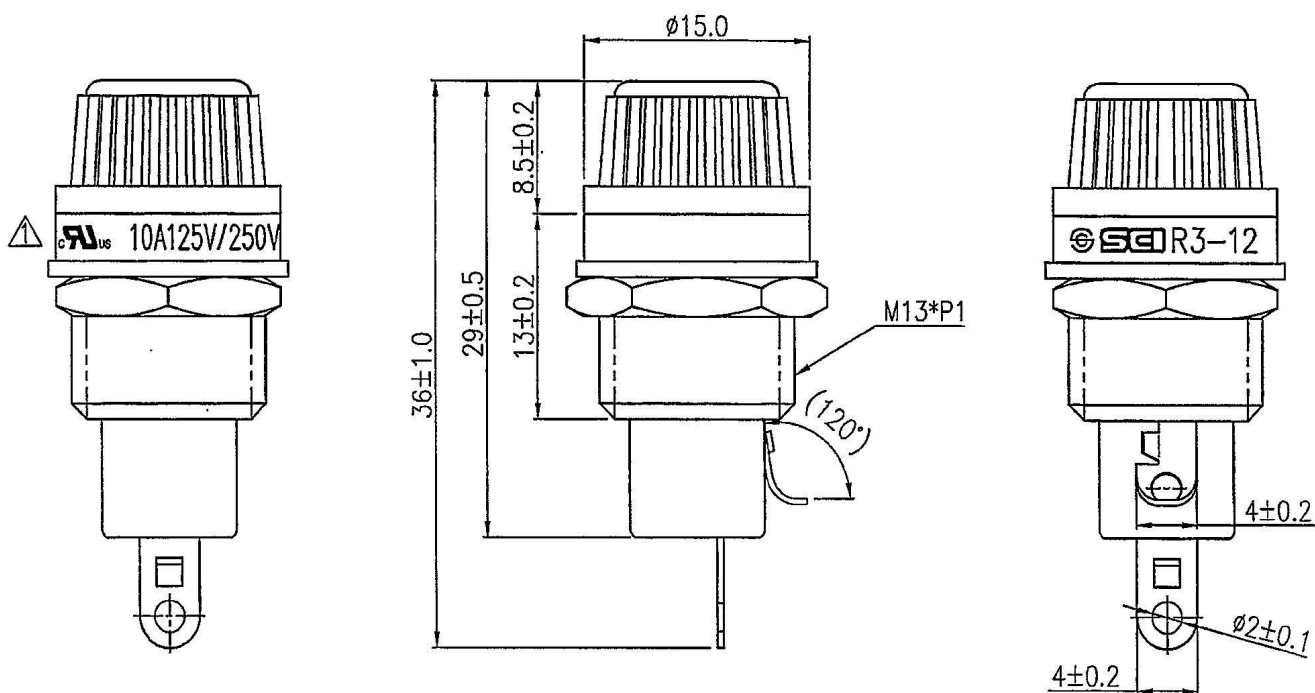





Rating	10A 125V/250V AC 	
Insulation Resistance	DC 500V 100M ohm Min	
Dielectric Strength	AC 1500V 1 minute	
Fuse Size	$\phi 5.0 \times 20\text{mm}$	



Material:
Housing: Black, PF
Top cap: Black, PF
Terminals: Nickel Plated Brass



Tolerances ± 0.3 Unless Otherwise Specified

10/18/16	柳新強	Non CSA Marking				
Date	Name	Description				No.
Drawn	Checked	Approved	SCI BOM No.	1310350	Model Name	FUSE HOLDER
柳新強			Customer No.	112-R13-12-12-B	Model No.	R3-12
10/18/16			Unit	mm	 Shin Chin Industrial Co., Ltd.	
						Rev. 1