

**SURFACE MOUNT GLASS PASSIVATED  
HIGH VOLTAGE SILICON RECTIFIER**

**VOLTAGE RANGE 2000 to 4000 Volts CURRENT 0.5/0.2 Ampere**

**FEATURES**

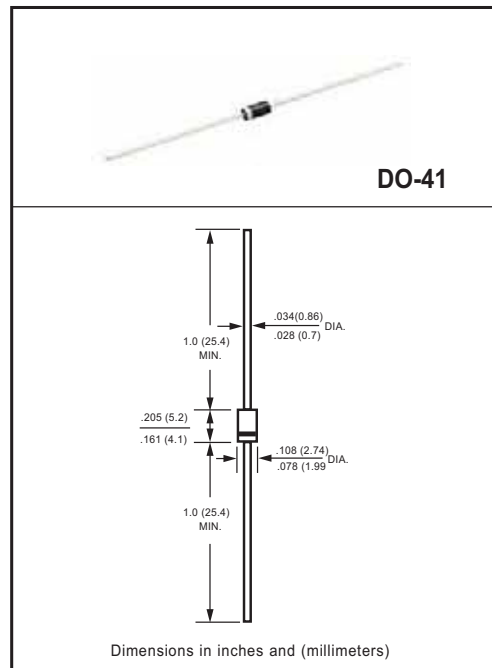
- \* Low cost
- \* Low leakage
- \* Low forward voltage drop
- \* High current capability

**MECHANICAL DATA**

- \* Case: Molded plastic
- \* Epoxy: Device has UL flammability classification 94V-O
- \* Lead: MIL-STD-202E method 208C guaranteed
- \* Mounting position: Any
- \* Weight: 0.34 gram

**MAXIMUM RATINGS AND ELECTRICAL CHARACTERISTICS**

Ratings at 25°C ambient temperature unless otherwise specified.  
Single phase, half wave, 60 Hz, resistive or inductive load.  
For capacitive load, derate current by 20%.



**MAXIMUM RATINGS** (At TA = 25°C unless otherwise noted)

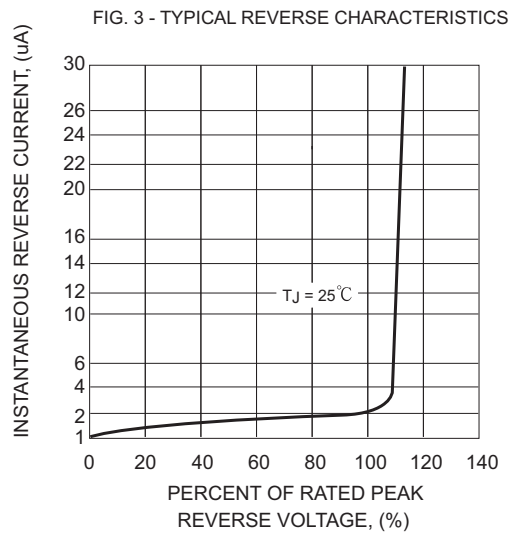
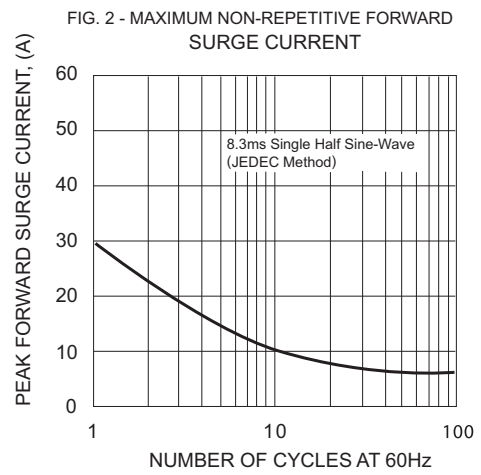
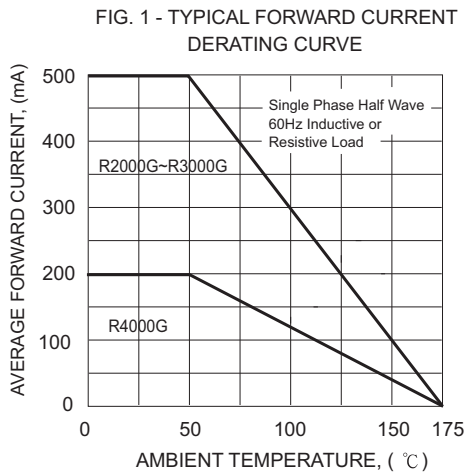
RATINGS	SYMBOL	R2000G	R3000G	R4000G	UNITS
Maximum Recurrent Peak Reverse Voltage	V <sub>RRM</sub>	2000	3000	4000	Volts
Maximum RMS Volts	V <sub>RMS</sub>	1400	2100	2800	Volts
Maximum DC Blocking Voltage	V <sub>DC</sub>	2000	3000	4000	Volts
Maximum Average Forward Rectified Current at TA = 50°C	I <sub>o</sub>	0.5		0.2	Amps
Peak Forward Surge Current, 8.3 ms single half sine-wave superimposed on rated load (JEDEC method)	I <sub>FSM</sub>	30			Amps
Typical Current Squared Time	I <sup>2</sup> t	3.735			A <sup>2</sup> S
Typical Thermal Resistance	R <sub>θJA</sub>	65			°C/W
	R <sub>θJL</sub>	30			
Typical Junction Capacitance (Note)	C <sub>J</sub>	30			pF
Operating and Storage Temperature Range	T <sub>J</sub> , T <sub>STG</sub>	-65 to +175			°C

**ELECTRICAL CHARACTERISTICS** (At TA = 25°C unless otherwise noted)

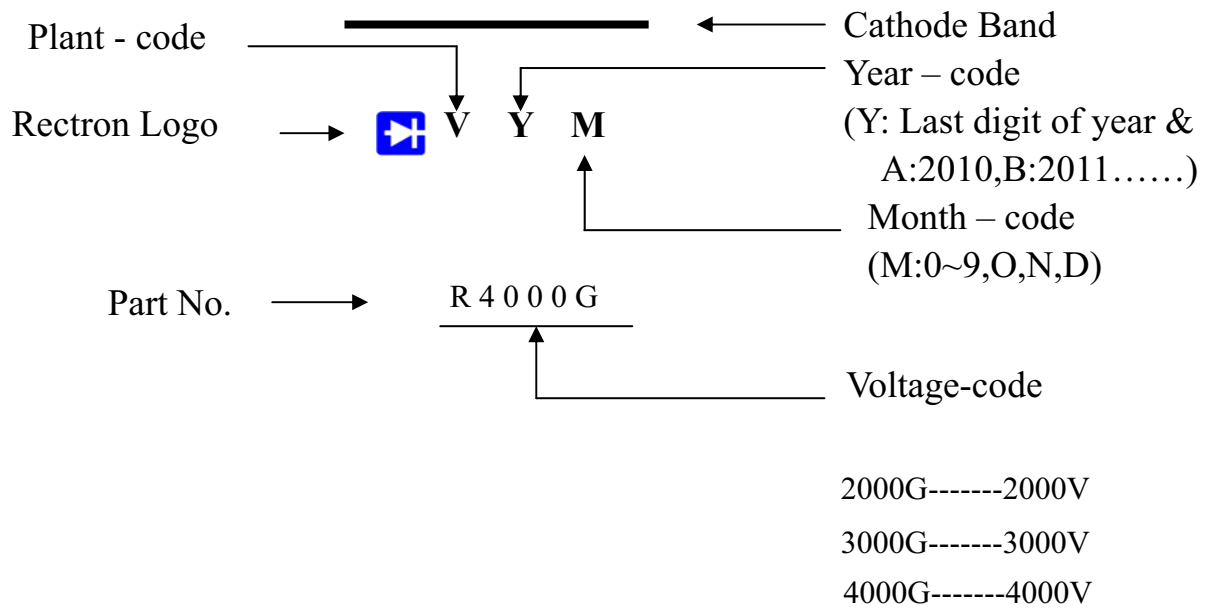
CHARACTERISTICS	SYMBOL	R2000G	R3000G	R4000G	UNITS
Maximum Instantaneous Forward Voltage at 0.2A DC	V <sub>F</sub>	2.0	3.0	4.0	Volts
Maximum DC Reverse Current at Rated DC Blocking Voltage	I <sub>R</sub>	@TA = 25°C		5.0	uAmps
		@TA = 150°C		5.0	
Maximum Full Load Reverse Current Average, Full Cycle .375", (9.5mm) lead length at TL = 75°C				30	uAmps

- NOTES : 1. Measured at 1 MHz and applied reverse voltage of 4.0 volts.  
2. "ROHS compliant".  
3. Available in Halogen-free epoxy by adding suffix -HF after the part nbr.

## RATING AND CHARACTERISTIC CURVES ( R2000G THRU R4000G )



## Marking Description



## PACKAGING OF DIODE AND BRIDGE RECTIFIERS

### BULK PACK

PACKAGE	PACKING CODE	EA PER BOX	INNER BOX SIZE (mm)	CARTON SIZE (mm)	EA PER CARTON	GROSS WEIGHT(Kg)
DO-41	-B	1,000	194*75*21	415*220*255	50,000	16.2

### REEL PACK

PACKAGE	PACKING CODE	EA PER REEL	EA PER INNER BOX	COMPONENT SPACE (mm)	TAPE SPACE (mm)	REEL DIA (mm)	CARTON SIZE (mm)	EA PER CARTON	GROSS WEIGHT(Kg)
DO-41	-T	5,000	5,000	5.0	52	330	355*350*335	20,000	10.49

### AMMO PACK

PACKAGE	PACKING CODE	REEL ( EA )	COMPONENT SPACE(mm)	TAPE SPACE (mm)	BOX SIZE (mm)	CARTON SIZE(mm)	CARTON ( EA )	GROSS WEIGHT (Kg)
DO-41	-F	3,000	5.0	52	255*73*100	400*268*225	30,000	13.0
DO-41	-E	3,000	5.0	26	256*48*94	365*270*217	42,000	12.41