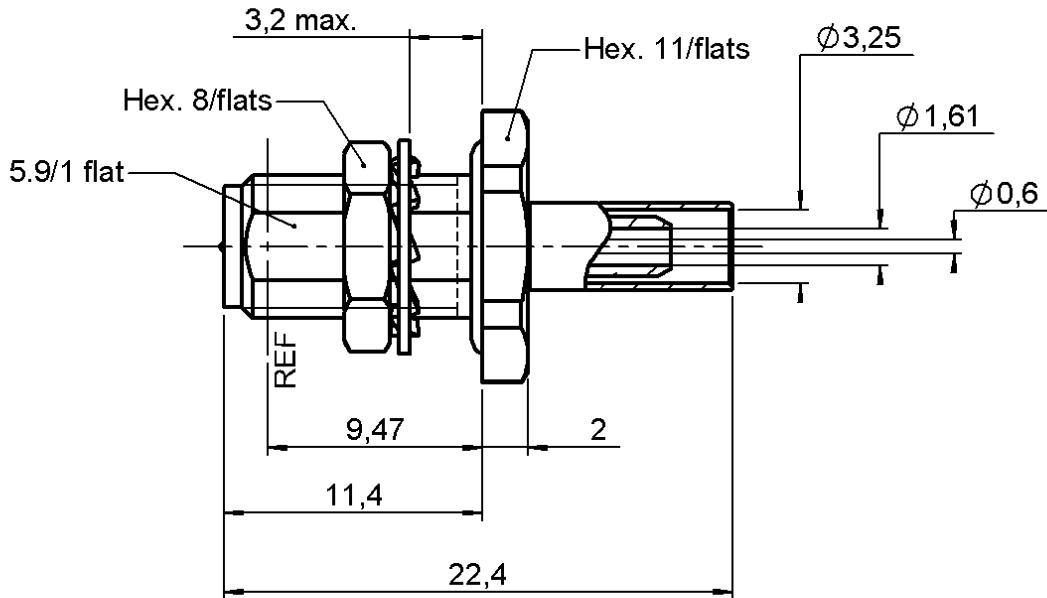


RP SMA STRAIGHT BULKEAD JACK
PANEL SEAL CRIMP TYPE CABLE 2.6/50S

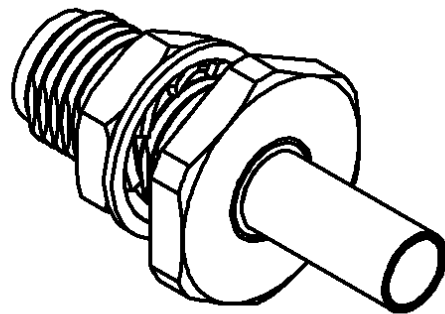
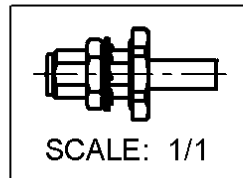
R300.124.240

Series :
REV.POLARITY



PANEL CUT OUT

mm		
	Maxi	mini
A	6.5	6.4
B	6.15	6



All dimensions are in mm.

COMPONENTS	MATERIALS	PLATINGS (µm)
BODY	BRASS	BBR 2
CENTER CONTACT	BRASS	GOLD 1.3 OVER COPPER 2.5
OUTER CONTACT	-	-
INSULATOR	PTFE	-
GASKET	SILICONE RUBBER	-
OTHERS PARTS	BRASS	BBR 2
-	-	-
-	-	-

Issue : 0316 A

In the effort to improve our products, we reserve the right to make changes judged to be necessary.



RP SMA STRAIGHT BULKEAD JACK
PANEL SEAL CRIMP TYPE CABLE 2.6/50S

R300.124.240

Series :
REV.POLARITY

PACKAGING

Standard	Unit	Other
100	'W' option	Contact us

SPECIFICATION

ELECTRICAL CHARACTERISTICS

Impedance	50	Ω
Frequency	0-12.4	GHz
VSWR	1.15 + 0.020	x F(GHz) Maxi
Insertion loss	.04	\sqrt{F} (GHz) dB Maxi
RF leakage	- (- F(GHz)) dB Maxi
Voltage rating	250	Veff Maxi
Dielectric withstanding voltage	750	Veff mini
Insulation resistance	5000	M Ω mini

CABLE ASSEMBLY

Stripping	a	b	c	d	e	f
mm	3.00	6.30	10.8	0.00	7.80	0.00

Assembly instruction : **Crimp 02**

Recommended cable(s)
 RG 188
 KX 22A
 RG 316

Characteristics indicated on this data sheet are those that can be achieved with the highest performance cable. Intrinsic limitations of the cable may diminish the performance of the assembly

Cable retention
 - pull off **90** N mini
 - torque **NA** N.cm

MECHANICAL CHARACTERISTICS

Center contact retention		
Axial force – Mating end	18	N mini
Axial force – Opposite end	18	N mini
Torque	NA	N.cm mini

TOOLING

Part Number	Description	Hexagon
R282.271.000	CRIMPING TOOL	3.25
R282.293.000	CRIMPING TOOL	-
R282.967.012	POSITONER FOR CRIMPING TOOL	-
R282.235.003	CRIMPING DIES	3.25
R282.281.000	CRIMPING TOOL	2x4 (pos. 5)

Recommended torque		
Mating	NA	N.cm
Panel nut	150	N.cm
Clamp nut	NA	N.cm
A/F clamp nut	0.000	mm

Mating life	500	Cycles mini
Weight	3.730	g

OTHERS CHARACTERISTICS

ENVIRONMENTAL

Operating temperature	-65/+165	$^{\circ}$ C
Hermetic seal	NA	Atm.cm3/s
Panel leakage	NA	

Issue : 0316 A

In the effort to improve our products, we reserve the right to make changes judged to be necessary.

