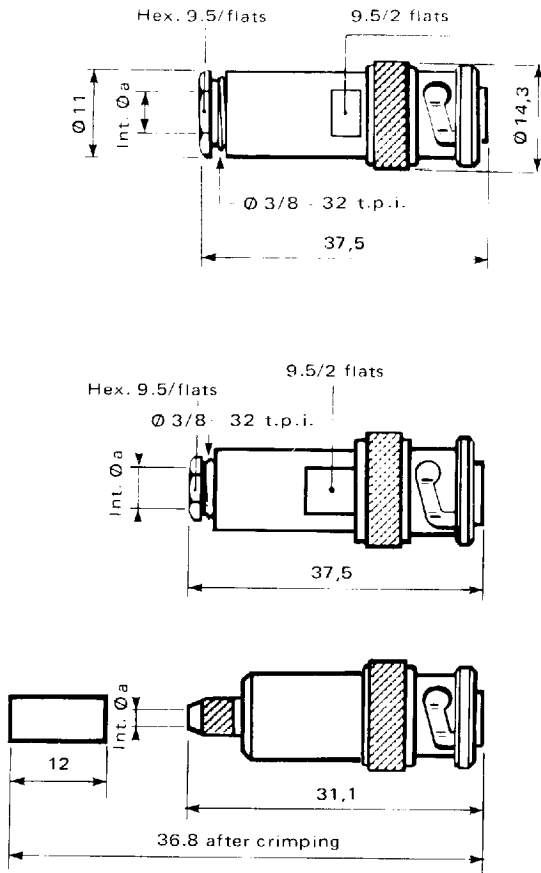


# BNC.HT series

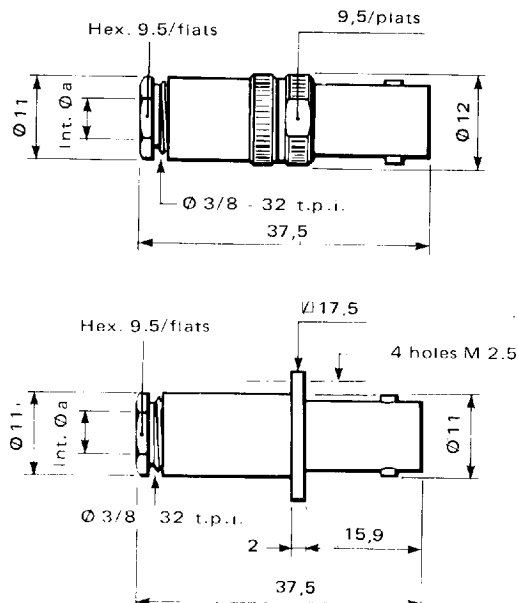
CODE No.	STYLE	Cable Group $\Omega$	max. $\phi_a$	Assembly code	Panel piercing	Weight (g)
----------	-------	-------------------------	------------------	---------------	----------------	------------

## STRAIGHT PLUGS



R 316 004	Cable clamp	2,6/50	3	(not shown)		20
R 316 007	Cable clamp	5/50	5,4	K13-67		20
R 316 011	Cable clamp Interchangeable with UG932/U	6/75	6,5	K13-67		19
R 316 015*	Cable clamp	Filotex 17950	6,5	K13-67		19
R 316 072	Crimp	RG. 58C/U KX.15 S.SCR.	3,2			15

## STRAIGHT JACKS



R 316 207	Cable clamp	5/50	5,4	K13-67		16
R 316 211	Cable clamp	6/75	6,5	K13-67		15
R 316 257	Square flange - cable clamp	5/50	5,4	K13-67	a 14	17,5
R 316 261	Square flange - cable clamp	6/75	6,5	K13-67	a14	18,5