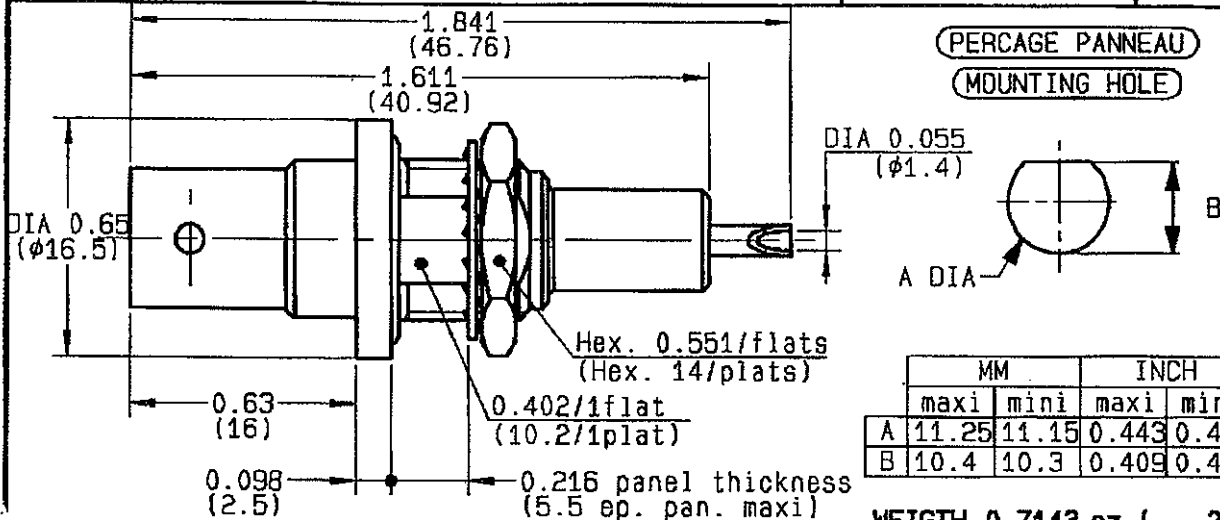


BULKHEAD RECEPTACLE WATERPROOF



| | MM | | INCH | |
|---|-------|-------|-------|-------|
| | maxi | mini | maxi | mini |
| A | 11.25 | 11.15 | 0.443 | 0.44 |
| B | 10.4 | 10.3 | 0.409 | 0.406 |

WEIGHT 0.7143 oz (20 g)

CHARACTERISTICS

| | |
|---------------------------------|------------------------|
| NOMINAL IMPEDANCE | 50 Ω |
| FREQUENCY RANGE | 0-2 GHz |
| TEMPERATURE RATING | -65/+165 °C |
| VSWR | 1.2 + .3 x F(GHz)Max1 |
| RF INSERTION LOSS | AD√F(GHz) dB Maxi |
| VOLTAGE RATING | 6500 Vrms Max |
| DIELECTRIC WITHSTANDING VOLTAGE | 10000 Vrms min |
| INSULATION RESISTANCE | 5000 MΩ.min |
| HERMETIC SEAL | - cc/s NA Atm.cm3/s |
| LEAKAGE (pressurized only) | - psi AD MPa |
| RF LEAKAGE | -55 dB at 2 GHz |

STANDARDISATION

| | | |
|----------------------------|-------|---------|
| CABLE RETENTION | - | lb min |
| | NA | N |
| CENTER CONTACT RETENTION | | |
| Axial force - mating end | 5.95 | lb min |
| | 27 | N |
| Axial force - opposite end | 5.95 | lb min |
| | 27 | N |
| Torque (Min) | - | Inch.oz |
| | NA | cm.N |
| RECOMMENDED TORQUES | | |
| Mating | - | inch.lb |
| | NA | cm.N |
| Panel nut | 27.75 | inch.lb |
| | 320 | cm.N |
| Clamp nut | - | inch.lb |
| | NA | cm.N |

CONSTRUCTION

| CONNECTOR PARTS | MATERIALS | FINISH |
|-----------------|-----------|--------|
| BODY | BRASS | NICKEL |
| OUTER CONTACT | BRASS | NICKEL |
| CENTER CONTACT | BRASS | GOLD |
| INSULATOR | PTFE | - |
| - | - | - |
| - | - | - |
| - | - | - |
| - | - | - |
| - | - | - |

| ISSUE | REVISION No | DESCRIPTION | BY | DATE |
|-------|-------------|-------------|----|------|
| | | | | |
| | | | | |
| | | | | |

Initiated on 20/01/93
Superseded on - - - -

The information given here is subject to change without notice. Design changes may be in order to improve the product.

