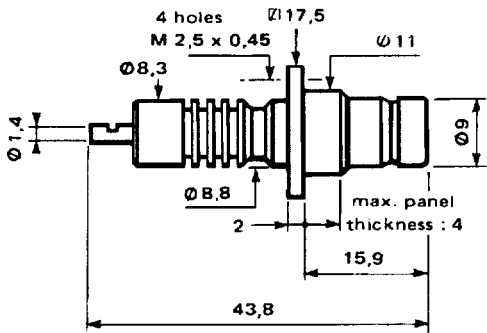


mini QUICK.HT series

| CODE No. | STYLE | Cable group Ω | max. $\varnothing a$ | Assembly code | Panel piercing | Weight (g) |
|----------|-------|-------------------------|----------------------|---------------|----------------|------------|
|----------|-------|-------------------------|----------------------|---------------|----------------|------------|

RECEPTACLES

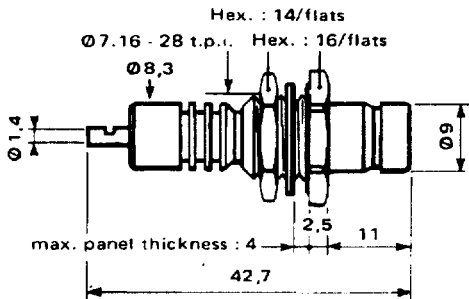


R 321 405

Square flange mounting

a11-a14

15

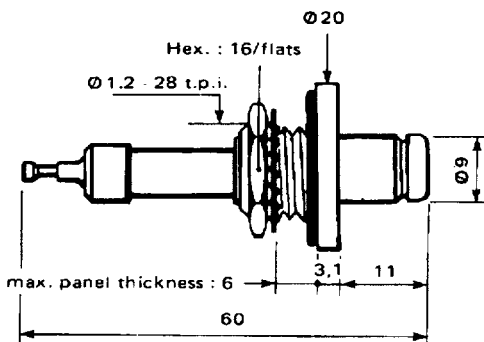


R 321 603

Bulkhead mounting panel seal

e 6

14



R 321 620

Hermetically sealed bulkhead mounting

e 8

25

- Ceramic insulation
- Viton gasket
- Leakage rate : $< 10^{-8}$ atm/cm³/sec.
- Temperature range : $- 80^{\circ}\text{C} + 250^{\circ}\text{C}$ (flange braised onto panel)
- Flange mounted with viton gasket onto panel
- Pressure : 30 bars

Also available : R 321 440 male flange receptacle.