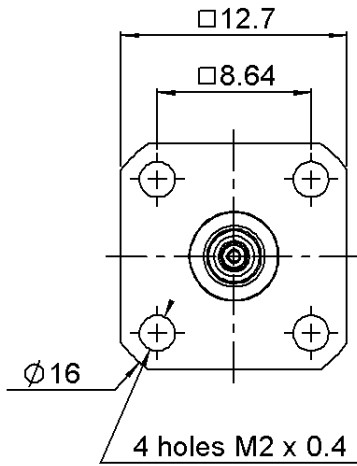


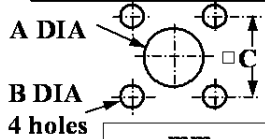
**EMBASE A PLATINE CARREE**  
**SOLDER CABLE TFLEX-405**

**R324.256.L01**

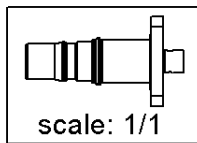
Series : QRE



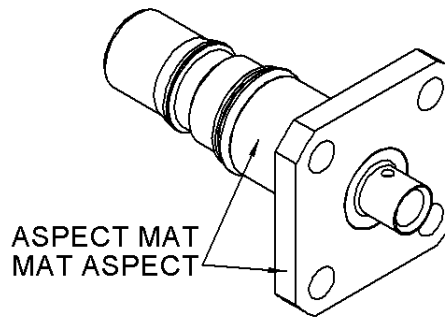
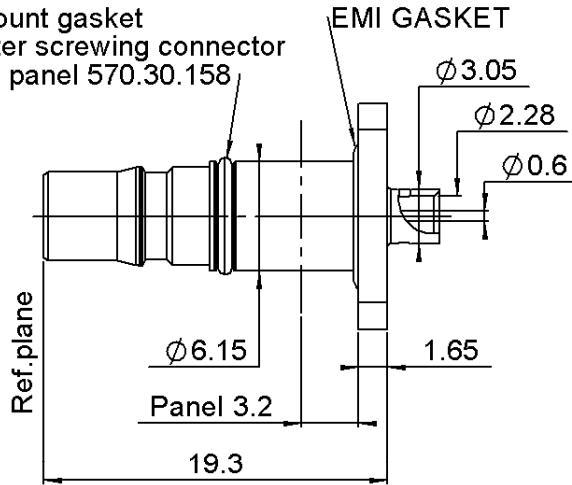
**PANEL CUT OUT**



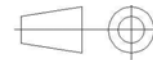
	mm	
	Maxi	mini
A	6.35	6.25
B	2.6	2.5
C	8.69	8.59



mount gasket  
after screwing connector  
on panel 570.30.158



All dimensions are in mm.



COMPONENTS	MATERIALS	PLATING (µm)
BODY	INOX (316L) , LAITON	PASSIVE OR
CENTER CONTACT	CUPRO BERYLLIUM	OR 2.5 SUR NICKEL 2
OUTER CONTACT		
INSULATOR	PTFE	
GASKET	FLUOROSILICONE	
OTHERS PARTS	SILICONE CuAg(conducteur)	
-	-	-
-	-	-

Issue : 0822 A

In the effort to improve our products, we reserve the right to make changes judged to be necessary.



**EMBASE A PLATINE CARREE**  
**SOLDER CABLE TFLEX-405**

**R324.256.L01**

Series : QRE

**PACKAGING**

Standard	Unit	Other
<b>100</b>	<b>'W' option</b>	<b>Contact us</b>

**SPECIFICATION**

**ELECTRICAL CHARACTERISTICS**

Impedance	<b>50</b>	$\Omega$
Frequency	<b>0-12.4</b>	GHz
VSWR	<b>1.05 + 0.0150</b>	x F(GHz) Maxi
Insertion loss	<b>.07</b>	$\sqrt{F}$ (GHz) dB Maxi
RF leakage	- (	- F(GHz)) dB Maxi
Voltage rating	<b>335</b>	Veff Maxi
Dielectric withstanding voltage	<b>1000</b>	Veff mini
Insulation resistance	<b>5000</b>	M $\Omega$ mini

**CABLE ASSEMBLY**

Stripping	a	b	c	d	e	f
mm	3.17	0.00	0.00	0.00	0.00	0.00

Assembly instruction :

Recommended cable(s)  
BELN 1671A  
KS 1  
RG 405

Characteristics indicated on this data sheet are those that can be achieved with the highest performance cable. Intrinsic limitations of the cable may diminish the performance of the assembly

Cable retention

- pull off **130** N mini  
- torque **N/A** N.cm

**MECHANICAL CHARACTERISTICS**

Center contact retention		
Axial force – Mating end	<b>18</b>	N mini
Axial force – Opposite end	<b>18</b>	N mini
Torque	<b>N/A</b>	N.cm mini

**TOOLING**

Part Number	Description	Hexagon
.	.	.
R282.051.000	STRIPPING TOOL	
R282.862.090	CONTROL GAUGE	
R282.744.220	SOLDERING POSITIONER (CENTER CONTACT)	
R282.740.000	SOLDERING MOUNTING	
R282.063.000	POINTER GAUGE	

Recommended torque		
Mating	<b>N/A</b>	N.cm
Panel nut	<b>N/A</b>	N.cm
Clamp nut	<b>N/A</b>	N.cm
A/F clamp nut	<b>0.0000</b>	mm

Mating life	<b>100</b>	Cycles mini
Weight	<b>3.9700</b>	g

**ENVIRONMENTAL**

Operating temperature	<b>-55/+125</b>	$^{\circ}$ C
Hermetic seal	<b>N/A</b>	Atm.cm3/s
Panel leakage	<b>N/A</b>	

**OTHER CHARACTERISTICS**

RF leakage: 95 @ 3GHz/ 80 @ 12.4GHz  
For information : O-ring gasket must be changed after 50 mating cycles

Issue : 0822 A

In the effort to improve our products, we reserve the right to make changes judged to be necessary.

