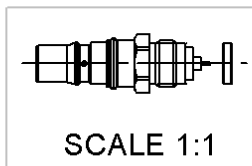
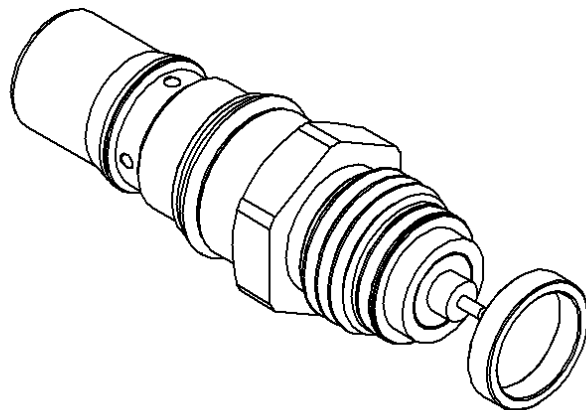
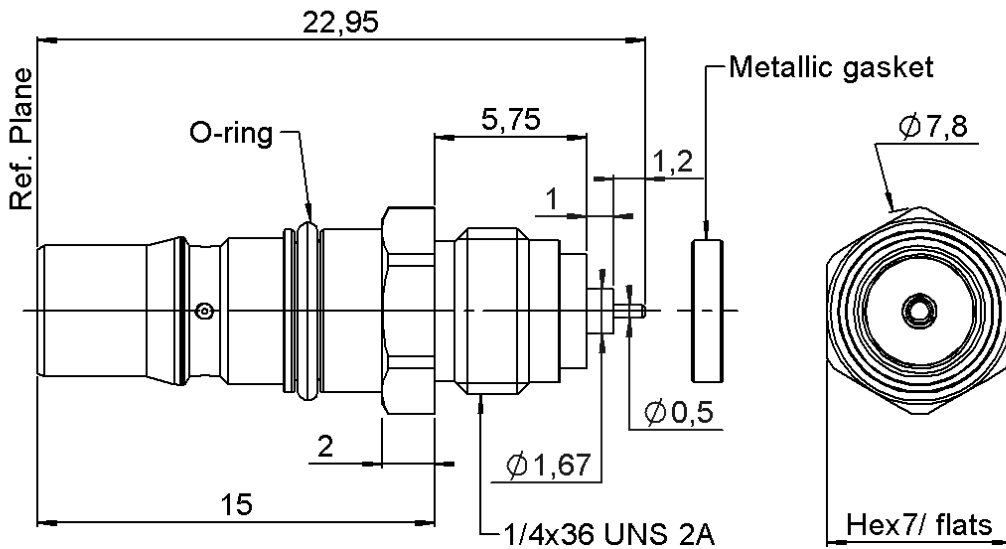
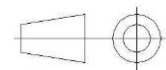


PAGE 1/3	ISSUE 29-01-16A	SERIES QRE	PART NUMBER R324555L01
----------	-----------------	------------	------------------------



All dimensions are in mm.



COMPONENTS	MATERIALS	PLATING (μm)
Body	STAINLESS STEEL (316L)	PASSIVATED
Center contact	BERYLLIUM COPPER, BRASS	GOLD 2.5 OVER NICKEL 2
Outer contact	-	-
Insulator	PTFE	-
Gasket	FLUOROSILICONE + SILICONE RUBBER	-
Others parts	A-G4MC	-
-	-	-
-	-	-

PAGE 2/3	ISSUE 29-01-16A	SERIES QRE	PART NUMBER R324555L01
----------	------------------------	-------------------	-------------------------------

PACKAGING

Standard	Unit	Other
100	Contact us	Contact us

ELECTRICAL CHARACTERISTICS

Impedance		50	Ω
Frequency		0-12.4	GHz
VSWR	*1.35	+	0,0000 x F(GHz) Maxi
Insertion loss		0.25	√F(GHz) dB Maxi
RF leakage	- (90	- F(GHz)) dB Maxi
Voltage rating		335	Veff Maxi
Dielectric withstanding voltage		1000	Veff mini
Insulation resistance		5000	MΩ mini

ENVIRONMENTAL

Operating temperature	-55/+155°	°C
Hermetic seal	10-5	Atm.cm3/s
Panel leakage	**IP67	

MECHANICAL CHARACTERISTICS

Center contact retention			
Axial force – Mating End		18	N mini
Axial force – Opposite end		18	N mini
Torque		NA	N.cm mini
Recommended torque			
Mating		NA	N.cm
Panel nut		280	N.cm
Mating life		100	Cycles mini
Weight		2,9100	g

SPECIFICATION

OTHER CHARACTERISTICS

Assembly instruction:

Others:

*** 0-10GHz@Coaxial transmission line only**

****Mating life: O-Ring gasket must be change after 50 mating cycles**

Torque Wrench 7mm / 270N.cm:R282.303.070