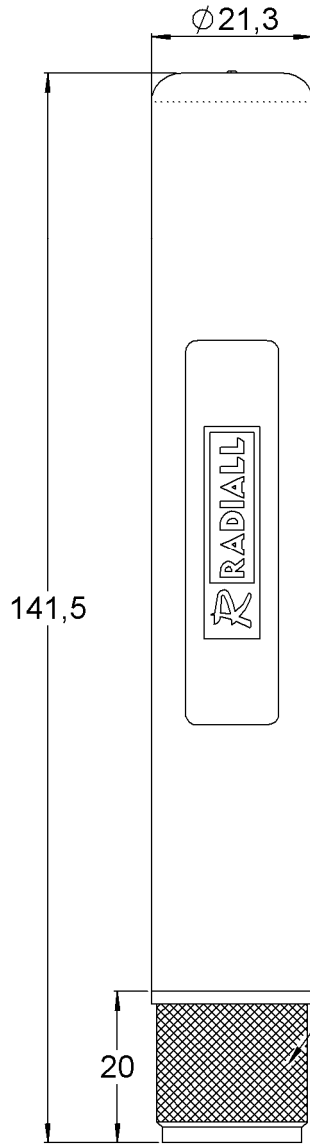
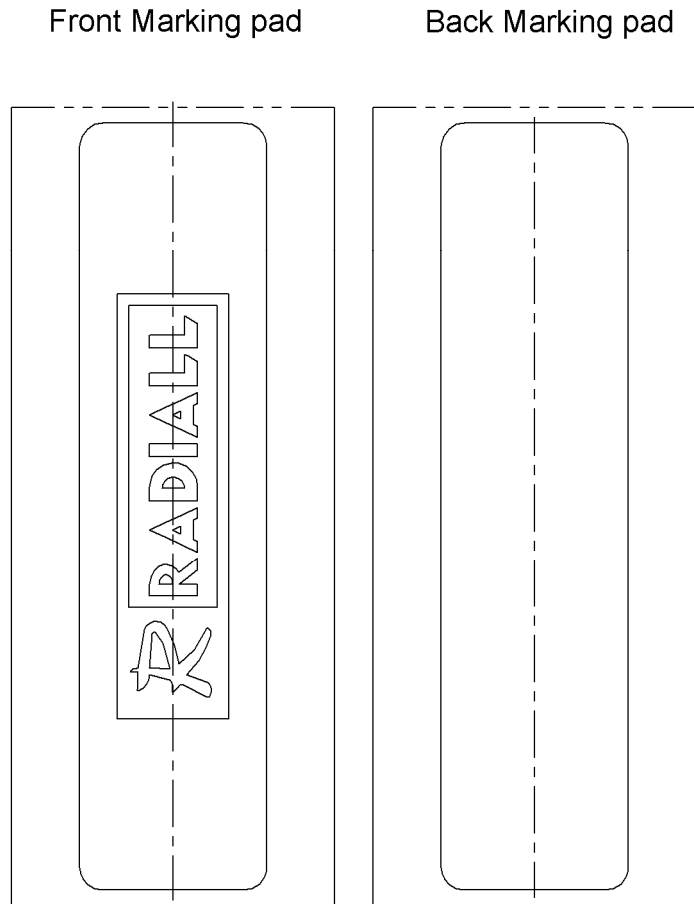


PAGE 1/2	ISSUE 1438A	SERIES ANTENNA	PART NUMBER R380900341
----------	-------------	-------------------	------------------------

**Scale 1 : 1**

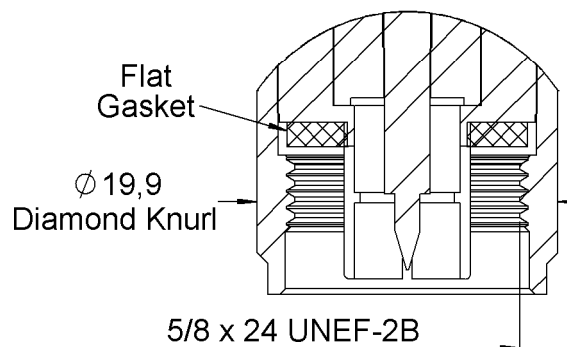


**Scale 2 : 1**



Fixed Coupling Nut

**Scale 2 : 1**  
**N Plug Connector**



All dimensions are in mm

PAGE 2/2	ISSUE 1438A	SERIES ANTENNA	PART NUMBER R380900341
----------	-------------	-------------------	------------------------

**ELECTRICAL CHARACTERISTICS**

Frequency :	<b>824-960 / 1710-2170</b>	MHz
Frequency Bands :	<b>AMPS, GSM, DCS, PCS, UMTS</b>	
Nominal Impedance :	<b>50</b>	$\Omega$
VSWR :	<b>3.0:1</b>	Max
Peak Gain :	<b>2</b>	dBi
Radiation Pattern		
Horizontal Plane :	<b>Omni-directional</b>	
Vertical Plane :	<b>Dipolar</b>	
Polarization :	<b>VERTICAL</b>	
Power rating :	<b>5</b>	W max
Connector type :	<b>N Plug (Male)</b>	

**MECHANICAL CHARACTERISTICS**

Radome :		
Material :	<b>PET</b>	
Color :	<b>BLACK</b>	
General texture :	<b>MT-11040</b>	
Logo texture :	<b>MT-11020</b>	
Weight :	<b>70</b>	g max
Overall dimensions :	<b>ø21.3 x 141.5</b>	mm

**ENVIRONMENTAL CHARACTERISTICS**

Operating temperature :	<b>-30/+70</b>	°C
Storage temperature :	<b>-40/+85</b>	°C
Ingress Protection (mated):	<b>IP 67</b>	
Humidity (Non condensing)	<b>95%</b>	
	<b>+20/+60°</b>	
	<b>IAW Mil Std 810F</b>	
	<b>Meth 507.4-1</b>	
Wind Rating	<b>60</b>	m/s
Salt Fog	<b>96</b>	H
	<b>Mil-Std-810F</b>	
	<b>Meth. 509.4</b>	