

10/100BASE-T TRANSFORMER MODULES

Industrial grade



- Compliant with IEEE 802.3 standards
- 350µH OCL with 8mA DC bias at 100KHz 100mV
- Lead finish: Pure tin
- Moisture Sensitivity Level: 1

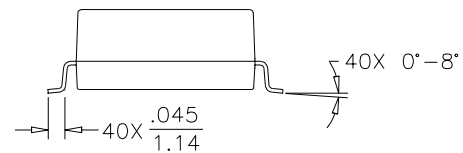
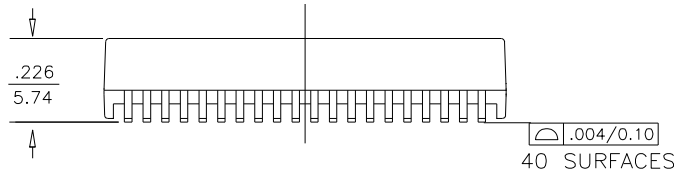
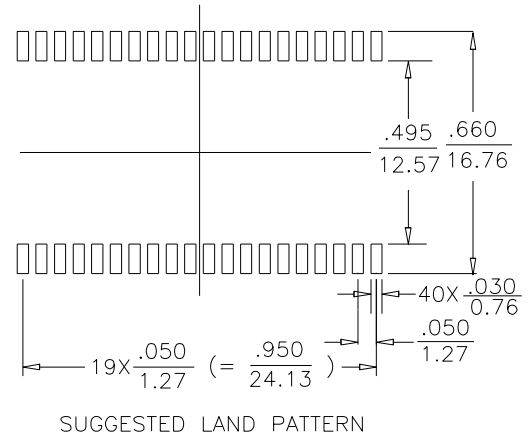
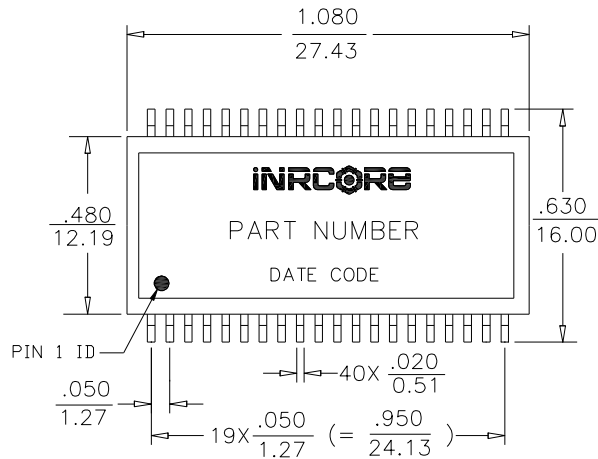
Electrical Specifications @ 25 °C – Operating Temperature – 40 °C to +85 °C

Part Number	Insertion Loss (dB MAX)	Return Loss (dB MIN)			Crosstalk (dB MIN)				DM to CM Rejection Ratio (dB MIN)			Dielectric Withstanding Voltage @60s (Vrms MIN)
	0.1-100 MHz	30 MHz	60 MHz	80 MHz	1 MHz	30 MHz	60 MHz	100 MHz	30 MHz	60 MHz	100 MHz	
R4009NL	-1.4	-18	-14	-12	-50	-42	-37	-32	-43	-37	-33	1500

Notes: 1. Add suffix "T" to part number for Tape & Reel package (ie: **R4009NLT**).

Mechanical

R4009NL



DIMENSIONS: $\frac{\text{Inches}}{\text{mm}}$

UNLESS OTHERWISE SPECIFIED, ALL TOLERANCES ARE $\pm \frac{.010}{.025}$

Weight: 4.0 gram TYP
Tape and Reel: 250/reel
Tube: 15/tube



Electrical Schematic

R4009NL

