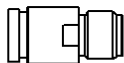
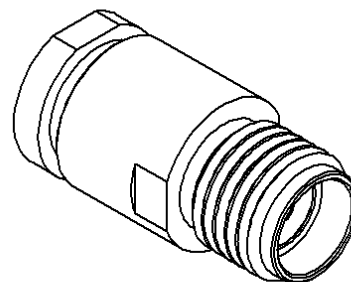
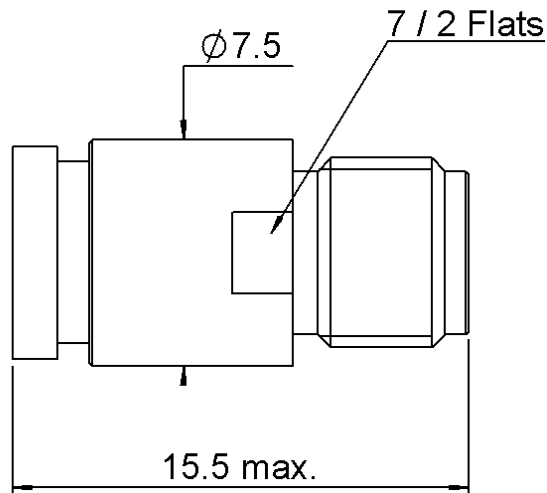


PAGE 1/2	ISSUE 20-07-15A	SERIES <b>TERMINATION</b>	PART NUMBER <b>R404215150</b>
----------	-----------------	------------------------------	-------------------------------



Scale 1:1

All dimensions are in mm.



COMPONENTS	MATERIALS	PLATING ( $\mu\text{m}$ )
Body	<b>STAINLESS STEEL</b>	<b>PASSIVATED</b>
Center contact	<b>BERYLLIUM COPPER</b>	<b>GOLD OVER NICKEL</b>
Outer contact	<b>STAINLESS STEEL</b>	<b>PASSIVATED</b>
Insulator	<b>PTFE</b>	
Gasket	-	
Substrate	<b>ALUMINA CERAMIC</b>	
Resistor	<b>THIN FILM</b>	
Others parts	<b>STAINLESS STEEL</b>	<b>PASSIVATED</b>

PAGE 2/2	ISSUE <b>20-07-15A</b>	SERIES <b>TERMINATION</b>	PART NUMBER <b>R404215150</b>
----------	------------------------	------------------------------	-------------------------------

**ELECTRICAL CHARACTERISTICS**

Frequency (GHz)	<b>DC - 2</b>	<b>2 - 18</b>	<b>18 - 22</b>
V.S.W.R (≤)	<b>1.05</b>	<b>1.1</b>	<b>1.15</b>

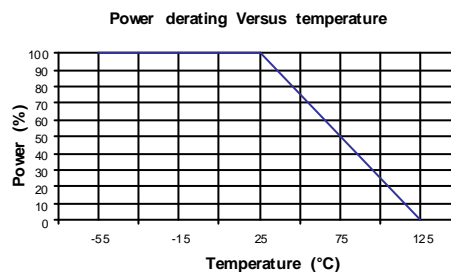
Operating Frequency Range	<b>DC - 22</b>	GHz
Impedance	<b>50</b>	Ω
DC Resistance	<b>50</b>	Ω ± 5%
Peak power at 25°C (1μs, 1%)	<b>50</b>	W
Average power at 25°C	<b>1</b>	W (Free Air Cooled)
		W (Conduction Cooled)

**MECHANICAL CHARACTERISTICS**

Connectors	<b>SMA</b>	<b>Female</b>	<b>MIL C 39012</b>
Weight	<b>3,2500 g</b>		

**ENVIRONMENTAL CHARACTERISTICS**

Operating temperature range	<b>-55/+125</b>	°C
Storage temperature range	<b>-55/+125</b>	°C



**SPECIFICATION**

**OTHER CHARACTERISTICS**