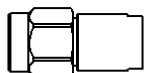
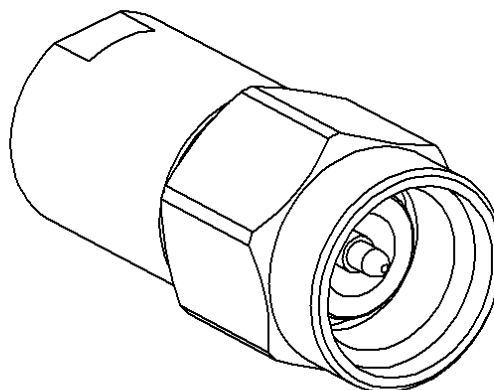
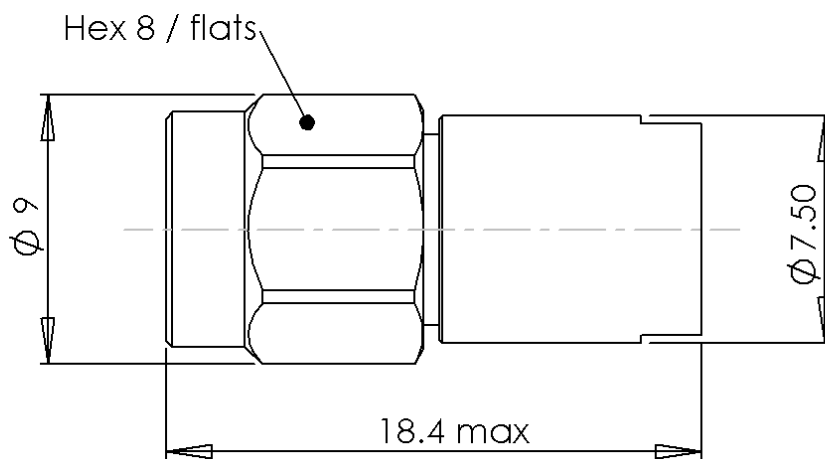
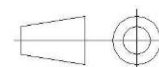


PAGE 1/2	ISSUE <b>23-04-15B</b>	SERIES <b>CHARGE</b>	PART NUMBER <b>R404280150</b>
----------	------------------------	----------------------	-------------------------------



Scale 1:1

All dimensions are in mm.



COMPONENTS	MATERIALS	PLATING ( $\mu\text{m}$ )
Body	<b>STAINLESS STEEL</b>	<b>PASSIVATED</b>
Center contact	<b>BERYLLIUM COPPER</b>	<b>GOLD OVER NICKEL</b>
Outer contact	-	-
Insulator	<b>ULTEM</b>	
Gasket	<b>SILICONE RUBBER</b>	
Substrate	<b>ALUMINA</b>	
Resistor	<b>THIN FILM</b>	
Others parts	-	-

PAGE 2/2	ISSUE <b>23-04-15B</b>	SERIES <b>CHARGE</b>	PART NUMBER <b>R404280150</b>
----------	------------------------	-------------------------	-------------------------------

**ELECTRICAL CHARACTERISTICS**

Frequency (GHz)     **DC - 40**  
V.S.W.R (≤)         **1.18**

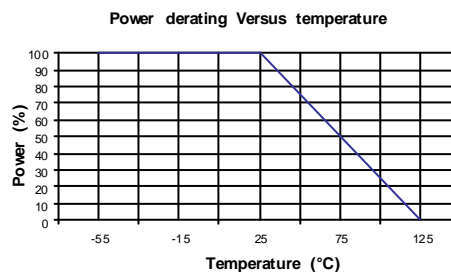
Operating Frequency Range	<b>DC - 40</b>	GHz
Impedance	<b>50</b>	Ω
DC Resistance	<b>50</b>	Ω ± 5%
Peak power at 25°C (1μs, 1%)	<b>50</b>	W
Average power at 25°C	<b>1</b>	W (Free Air Cooled)
		W (Conduction Cooled)

**MECHANICAL CHARACTERISTICS**

Connectors	<b>SMA2.9</b>	<b>Male</b>	<b>MIL C 39012</b>
Weight	<b>4,8500</b> g		

**ENVIRONMENTAL CHARACTERISTICS**

Operating temperature range	<b>-55/+125</b>	°C
Storage temperature range	<b>-55/+125</b>	°C



**SPECIFICATION**

**OTHER CHARACTERISTICS**