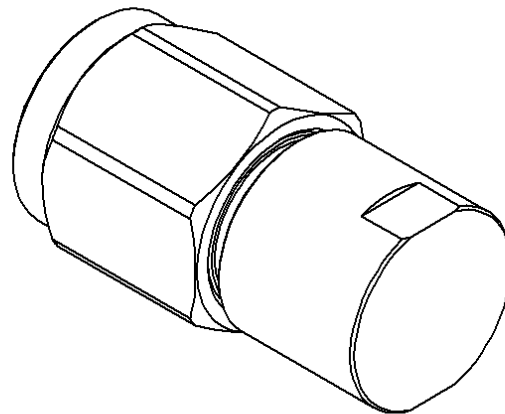
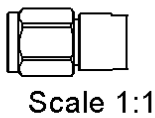
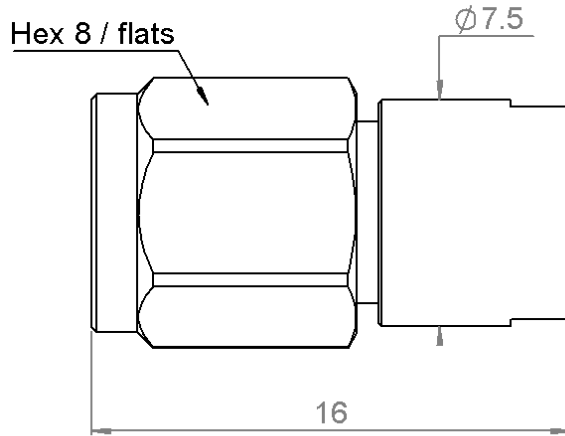
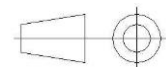


PAGE 1/2	ISSUE 25-06-19A	SERIES <b>TERMINATION</b>	PART NUMBER <b>R4042V0000</b>
----------	-----------------	------------------------------	-------------------------------



All dimensions are in mm. Tolerances according ISO 2768 m-H



COMPONENTS	MATERIALS	PLATING (µm)
Body	<b>STAINLESS STEEL</b>	<b>PASSIVATED</b>
Center contact	<b>BERYLLIUM COPPER</b>	<b>GOLD OVER NICKEL</b>
Outer contact	<b>STAINLESS STEEL</b>	<b>PASSIVATED</b>
Insulator	<b>PEEK</b>	
Gasket	<b>SILICONE</b>	
Substrate	<b>ALUMINA</b>	
Resistor	<b>THIN FILM</b>	
Others parts		

PAGE 2/2	ISSUE <b>25-06-19A</b>	SERIES <b>TERMINATION</b>	PART NUMBER <b>R4042V0000</b>
----------	------------------------	------------------------------	-------------------------------

### ELECTRICAL CHARACTERISTICS

Frequency (GHz)	<b>DC-26.5</b>	<b>26.5-40</b>	<b>40-50</b>	<b>50-65</b>	<b>65-67</b>
V.S.W.R (≤)	<b>1.2</b>	<b>1.3</b>	<b>1.35</b>	<b>1.45</b>	<b>1.65</b>

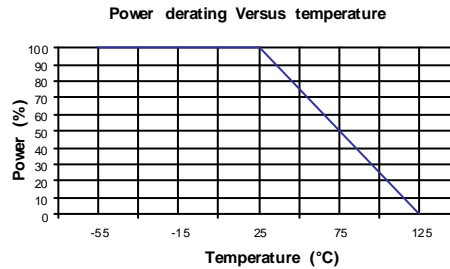
Operating Frequency Range	<b>DC-67</b>	GHz
Impedance	<b>50</b>	Ω
DC Resistance	<b>50</b>	Ω ± 5%
Peak power at 25°C (1μs, 1%)	<b>100</b>	W
Average power at 25°C	<b>0.5</b>	W (Free Air Cooled)
		W (Conduction Cooled)

### MECHANICAL CHARACTERISTICS

Connectors	<b>1.85MM</b>	<b>MALE</b>	<b>IEEE STD 287</b>
Weight	<b>4,4200</b> g		

### ENVIRONMENTAL CHARACTERISTICS

Operating temperature range	<b>-55/+125</b>	°C
Storage temperature range	<b>-55/+125</b>	°C



### SPECIFICATION

### OTHER CHARACTERISTICS