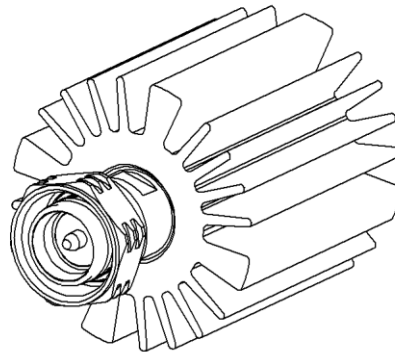
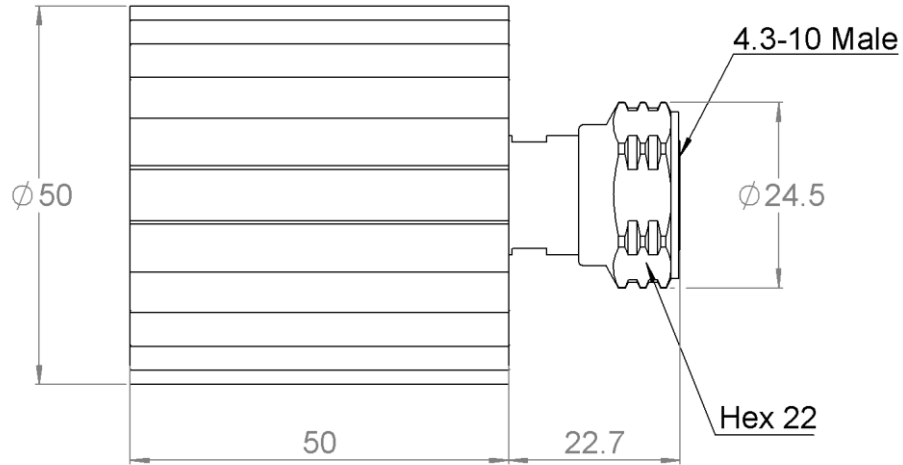


| | | | |
|----------|-----------------|------------------------------|-------------------------------|
| PAGE 1/2 | ISSUE 07-11-19A | SERIES TERMINATION | PART NUMBER R404758000 |
|----------|-----------------|------------------------------|-------------------------------|



All dimensions are in mm. Tolerances according ISO 2768 m-H



| COMPONENTS | MATERIALS | PLATING (µm) |
|----------------|--------------------------|-------------------------------|
| Body | BRASS | NICKEL 2 |
| Center contact | BERYLLIUM COPPER | GOLD 0.5 OVER NICKEL 2 |
| Outer contact | | |
| Insulator | PTFE | |
| Gasket | EPDM | |
| Substrate | ALUMINIUM NITRIDE | |
| Resistor | THICK FILM | |
| Others parts | ALUMINIUM | BLACK ANODIZATION |

| | | | |
|----------|------------------------|------------------------------|-------------------------------|
| PAGE 2/2 | ISSUE 07-11-19A | SERIES TERMINATION | PART NUMBER R404758000 |
|----------|------------------------|------------------------------|-------------------------------|

ELECTRICAL CHARACTERISTICS

| | | |
|--------------------|---------------|--------------|
| Frequency (GHz) | DC - 3 | 3 - 6 |
| V.S.W.R (\leq) | 1.20 | 1.40 |

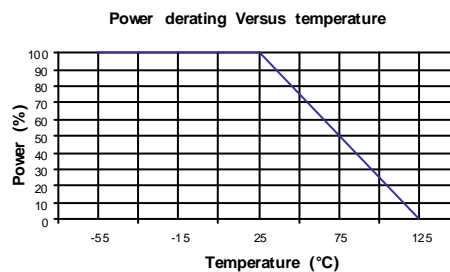
| | | |
|------------------------------------|---------------|-----------------------|
| Operating Frequency Range | DC - 6 | GHz |
| Impedance | 50 | Ω |
| DC Resistance | 50 | $\Omega \pm 5\%$ |
| Peak power at 25°C (1 μ s, 1%) | 2000 | W |
| Average power at 25°C | 30 | W (Free Air Cooled) |
| | | W (Conduction Cooled) |

MECHANICAL CHARACTERISTICS

| | | | |
|------------|-------------------|-------------|---------------------|
| Connectors | 4.3-10 | Male | IEC 60169-54 |
| Weight | 207,0800 g | | |

ENVIRONMENTAL CHARACTERISTICS

| | | |
|-----------------------------|-----------------|----|
| Operating temperature range | 55/+125 | °C |
| Storage temperature range | -55/+125 | °C |



SPECIFICATION

OTHER CHARACTERISTICS

MOUNTED WITH VERTICAL COOLING FINS AND NATURAL CONVECTION