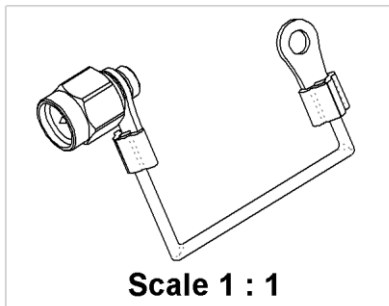
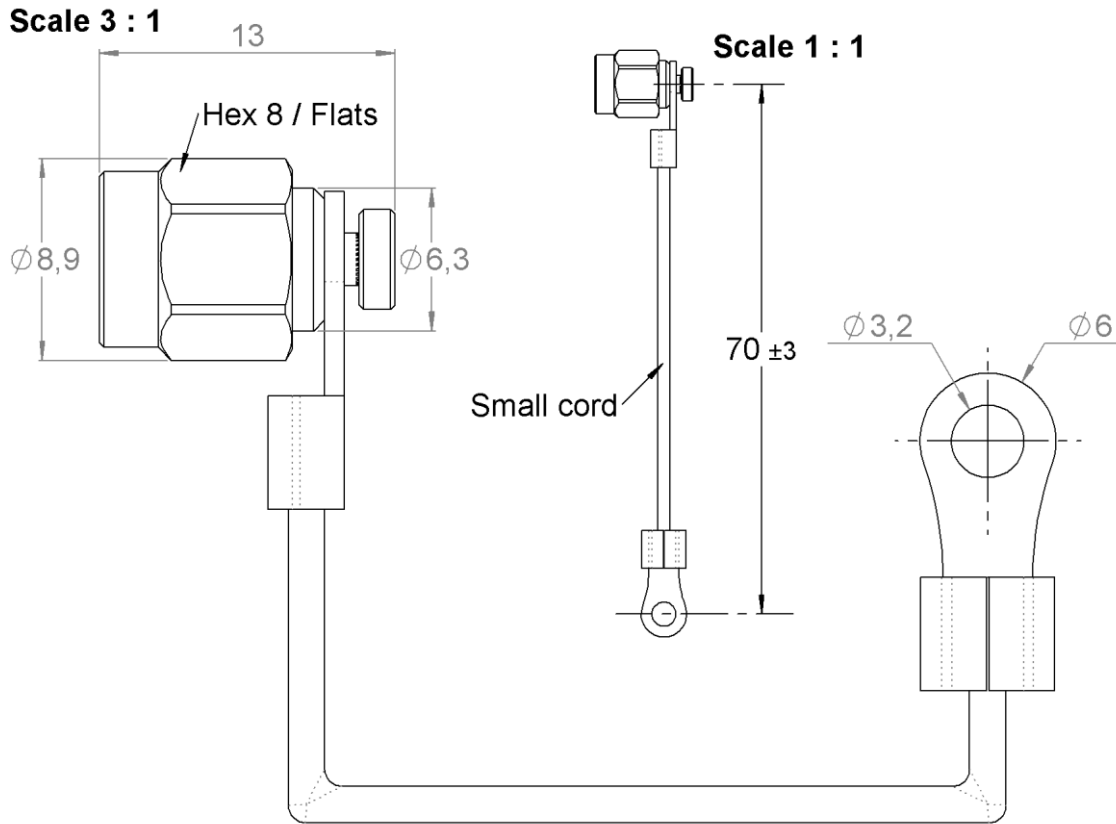
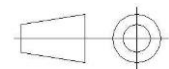


| | | | |
|----------|-----------------|------------------------------|-------------------------------|
| PAGE 1/2 | ISSUE 16-11-18B | SERIES TERMINATION | PART NUMBER R404N01121 |
|----------|-----------------|------------------------------|-------------------------------|



All dimensions are in mm. Tolerances according ISO 2768 m-H



| COMPONENTS | MATERIALS | PLATING (µm) |
|----------------|------------------------|--|
| Body | STAINLESS STEEL | PASSIVATED |
| Center contact | BRASS | GOLD 0.2 OVER NICKEL PHOSPHORUS 2 |
| Outer contact | STAINLESS STEEL | GOLD 0.2 OVER NICKEL 2 |
| Insulator | PTFE | |
| Gasket | SILICONE RUBBER | |
| Substrate | ALUMINA CERAMIC | |
| Resistor | THICK FILM | |
| Others parts | | |

| | | | |
|----------|------------------------|------------------------------|-------------------------------|
| PAGE 2/2 | ISSUE 16-11-18B | SERIES TERMINATION | PART NUMBER R404N01121 |
|----------|------------------------|------------------------------|-------------------------------|

ELECTRICAL CHARACTERISTICS

| | | | |
|--------------------|---------------|-----------------|------------------|
| Frequency (GHz) | DC - 8 | 8 - 12.4 | 12.4 - 18 |
| V.S.W.R (\leq) | 1.10 | 1.15 | 1.20 |

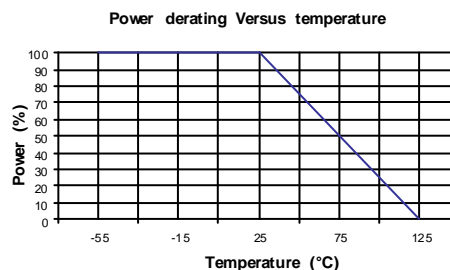
| | | |
|------------------------------------|------------------------|-----------------------|
| Operating Frequency Range | DC - 18 | GHz |
| Impedance | 50 | Ω |
| DC Resistance | 50 | $\Omega \pm 5\%$ |
| Peak power at 25°C (1 μ s, 1%) | 100 | W |
| Average power at 25°C | 2⁽¹⁾ | W (Free Air Cooled) |
| | | W (Conduction Cooled) |

MECHANICAL CHARACTERISTICS

| | | | |
|------------|-----------------|-------------|----------------------------------|
| Connectors | SMA | Male | MIL C 39012⁽²⁾ |
| Weight | 4,3400 g | | |

ENVIRONMENTAL CHARACTERISTICS

| | | |
|-----------------------------|-----------------|----|
| Operating temperature range | -55/+125 | °C |
| Storage temperature range | -55/+125 | °C |


SPECIFICATION
OTHER CHARACTERISTICS
IP67 in mated conditions
Notes:

- (1) Compliant with endurance requirement per MIL DTL 39030
- (2) Insertion force of the female contact on the mating connector significantly exceeding the specifications of MIL C 39012 (13.2 N max with specified test gauge) could result in the permanent deterioration of the ceramic element of the termination and affect the center pin retention.