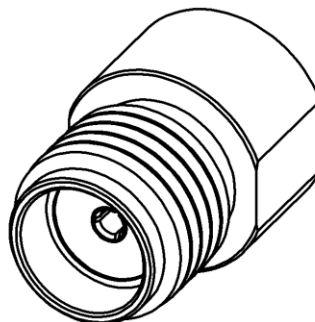
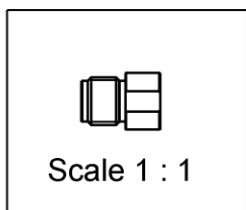
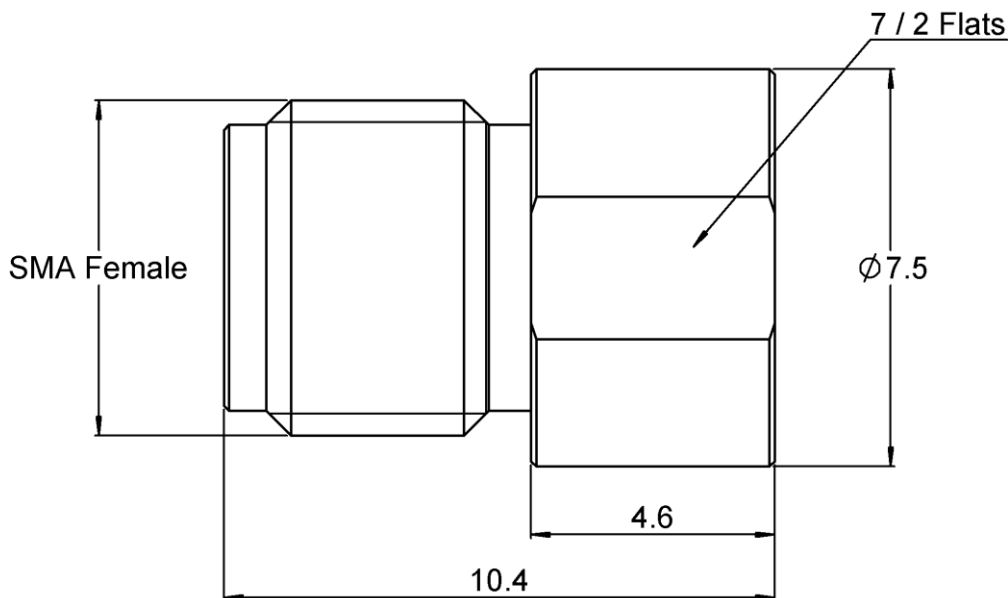
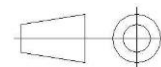


| | | | |
|----------|-----------------|------------------------------|-------------------------------|
| PAGE 1/2 | ISSUE 27-04-17A | SERIES TERMINATION | PART NUMBER R404N02000 |
|----------|-----------------|------------------------------|-------------------------------|



All dimensions are in mm.



| COMPONENTS | MATERIALS | PLATING (µm) |
|----------------|-------------------------|-------------------------|
| Body | STAINLESS STEEL | GOLD OVER NICKEL |
| Center contact | BERYLLIUM COPPER | GOLD OVER NICKEL |
| Outer contact | | |
| Insulator | PTFE | |
| Gasket | | |
| Substrate | ALUMINA CERAMIC | |
| Resistor | THICK FILM | |
| Others parts | | |

| | | | |
|----------|------------------------|------------------------------|-------------------------------|
| PAGE 2/2 | ISSUE 27-04-17A | SERIES TERMINATION | PART NUMBER R404N02000 |
|----------|------------------------|------------------------------|-------------------------------|

ELECTRICAL CHARACTERISTICS

| | | | |
|-----------------|---------------|-----------------|------------------|
| Frequency (GHz) | DC - 8 | 8 - 12.4 | 12.4 - 18 |
| V.S.W.R (≤) | 1.10 | 1.15 | 1.20 |

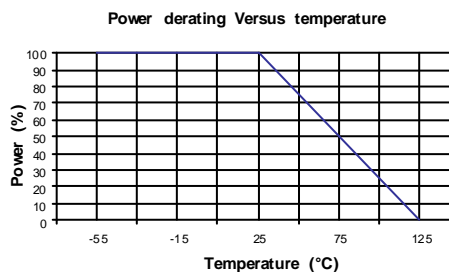
| | | |
|------------------------------|----------------|-----------------------|
| Operating Frequency Range | DC - 18 | GHz |
| Impedance | 50 | Ω |
| DC Resistance | 50 | Ω ± 5% |
| Peak power at 25°C (1μs, 1%) | 100 | W |
| Average power at 25°C | 2 * | W (Free Air Cooled) |
| | | W (Conduction Cooled) |

MECHANICAL CHARACTERISTICS

| | | | |
|------------|-----------------|---------------|--------------------|
| Connectors | SMA | Female | MIL C 39012 |
| Weight | 1,9500 g | | |

ENVIRONMENTAL CHARACTERISTICS

| | | |
|-----------------------------|-----------------|----|
| Operating temperature range | -55/+125 | °C |
| Storage temperature range | -55/+125 | °C |



SPECIFICATION

OTHER CHARACTERISTICS

IP67 in mated conditions

*** Compliant with endurance requirement per MIL DTL 39030**