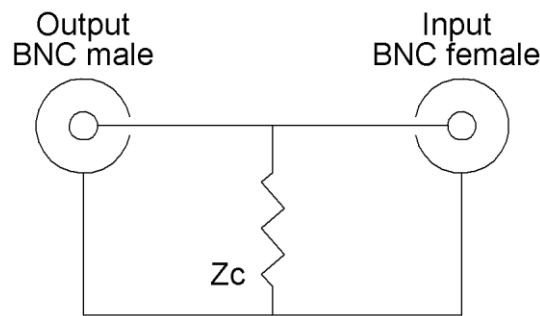
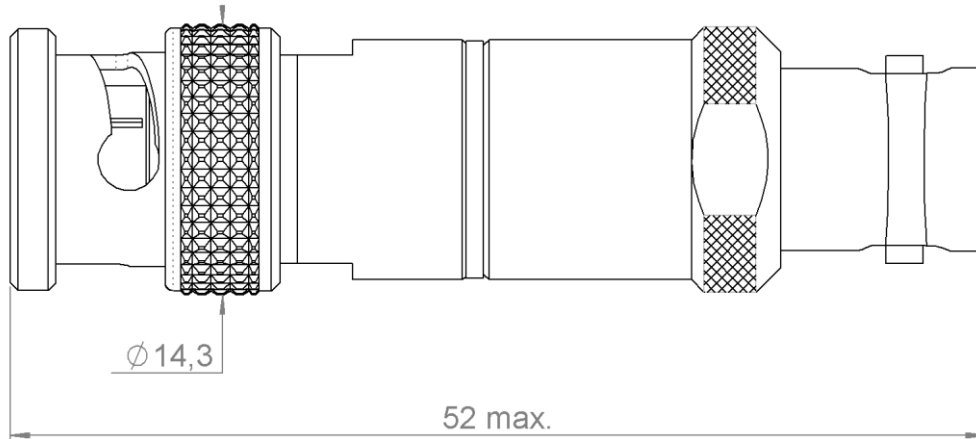


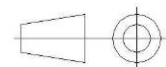
PAGE 1/2	ISSUE 17-10-18Z	SERIES TERMINATION	PART NUMBER R405005000
----------	-----------------	------------------------------	-------------------------------

SCALE 2 : 1



SCHEMATIC

All dimensions are in mm. Tolerances according ISO 2768 m-H



COMPONENTS	MATERIALS	PLATING (μm)
Body	BRASS	NICKEL 2
Center contact	BERYLLIUM COPPER	GOLD 0.5 OVER NICKEL 2
Outer contact	BRASS	NICKEL 2
Insulator	PTFE	
Gasket	SILICONE RUBBER	
Substrate		
Resistor		
Others parts	BRASS	NICKEL 5

PAGE 2/2	ISSUE 17-10-18Z	SERIES TERMINATION	PART NUMBER R405005000
----------	-----------------	------------------------------	-------------------------------

ELECTRICAL CHARACTERISTICS

Frequency (GHz)	DC - 0.5	0.5 - 1
V.S.W.R (\leq)	1.20	1.35

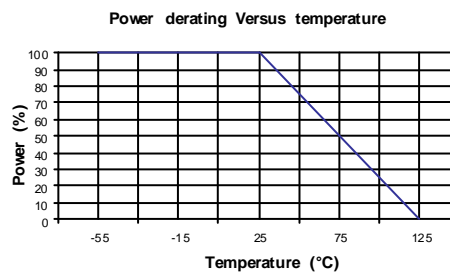
Operating Frequency Range	DC - 1	GHz
Impedance	50	Ω
DC Resistance	50	$\Omega \pm 5\%$
Peak power at 25°C (1 μ s, 1%)	1000	W
Average power at 25°C	2	W (Free Air Cooled)
		W (Conduction Cooled)

MECHANICAL CHARACTERISTICS

Connectors	BNC	Male Female	MIL C 39012
Weight	27,0300 g		

ENVIRONMENTAL CHARACTERISTICS

Operating temperature range	-55/+125	°C
Storage temperature range	-55/+125	°C



SPECIFICATION

OTHER CHARACTERISTICS