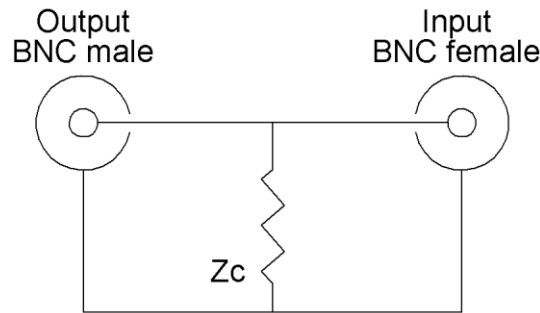
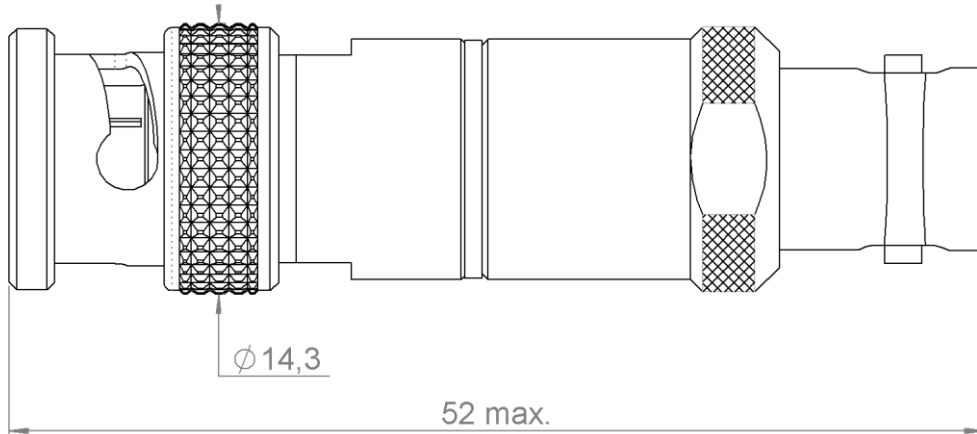


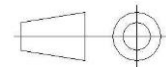
PAGE 1/2	ISSUE 17-10-18S	SERIES <b>TERMINATION</b>	PART NUMBER <b>R405006000</b>
----------	-----------------	------------------------------	-------------------------------

**SCALE 2 : 1**



**SCHEMATIC**

All dimensions are in mm. Tolerances according ISO 2768 m-H



COMPONENTS	MATERIALS	PLATING ( $\mu\text{m}$ )
Body	<b>BRASS</b>	<b>NICKEL 2</b>
Center contact	<b>BERYLLIUM COPPER</b>	<b>GOLD 0.5 OVER NICKEL 2</b>
Outer contact	<b>BRASS</b>	<b>NICKEL 2</b>
Insulator	<b>PTFE</b>	
Gasket	<b>SILICONE RUBBER</b>	
Substrate		
Resistor		
Others parts	<b>BRASS</b>	<b>NICKEL 5</b>

PAGE 2/2	ISSUE 17-10-18S	SERIES <b>TERMINATION</b>	PART NUMBER <b>R405006000</b>
----------	-----------------	------------------------------	-------------------------------

### ELECTRICAL CHARACTERISTICS

Frequency (GHz)	<b>DC - 0.5</b>	<b>0.5 - 1</b>
V.S.W.R ( $\leq$ )	<b>1.20</b>	<b>1.35</b>

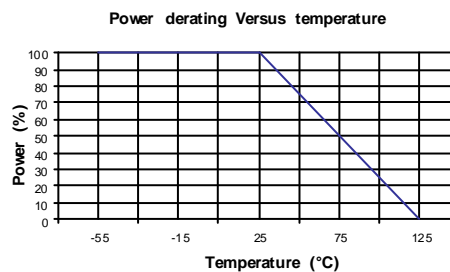
Operating Frequency Range	<b>DC - 1</b>	GHz
Impedance	<b>75</b>	$\Omega$
DC Resistance	<b>75</b>	$\Omega \pm 5\%$
Peak power at 25°C (1 $\mu$ s, 1%)	<b>1000</b>	W
Average power at 25°C	<b>2</b>	W (Free Air Cooled)
		W (Conduction Cooled)

### MECHANICAL CHARACTERISTICS

Connectors	<b>BNC</b>	<b>Male Female</b>	<b>MIL C 39012</b>
Weight	<b>27,0100</b> g		

### ENVIRONMENTAL CHARACTERISTICS

Operating temperature range	<b>-55/+125</b>	$^{\circ}\text{C}$
Storage temperature range	<b>-55/+125</b>	$^{\circ}\text{C}$



### SPECIFICATION

### OTHER CHARACTERISTICS