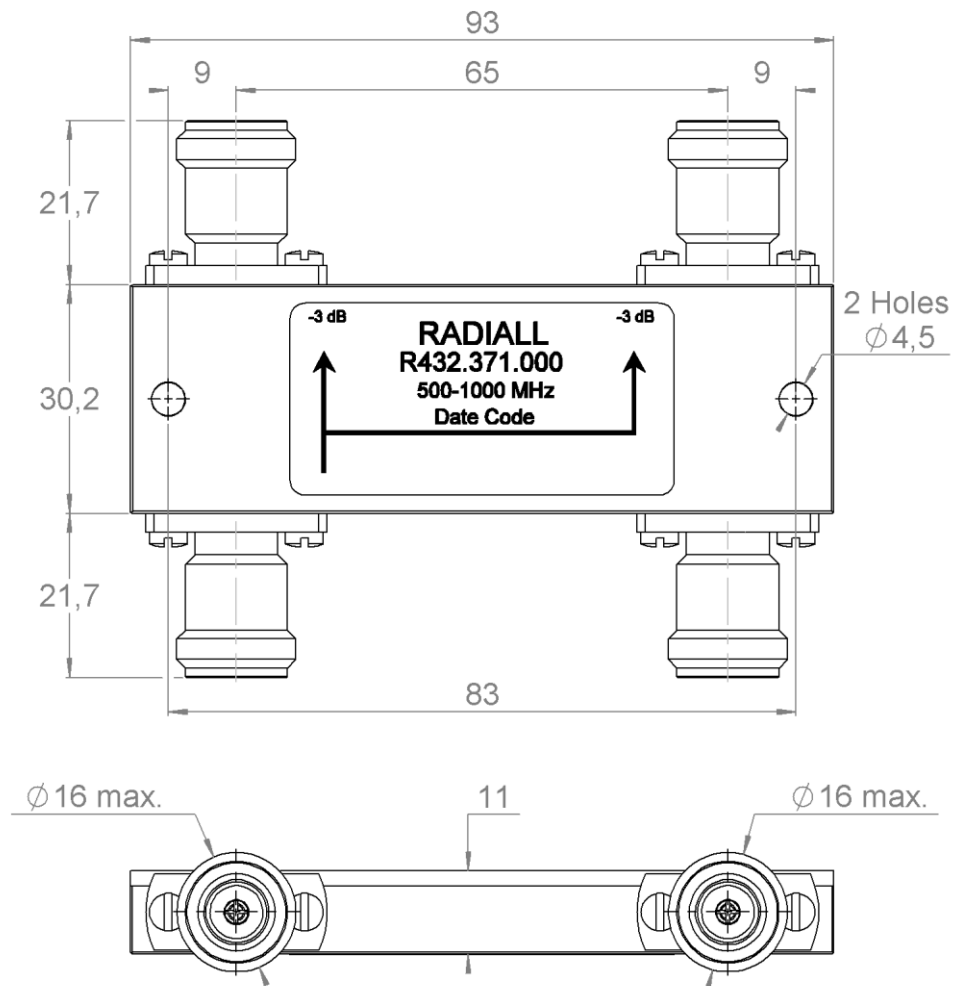


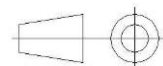
| | | | |
|----------|-----------------|--------------------------|-------------------------------|
| PAGE 1/2 | ISSUE 22-09-17N | SERIES COUPLER | PART NUMBER R432371000 |
|----------|-----------------|--------------------------|-------------------------------|

Scale 1 : 1



All dimensions are in mm. Tolerances according ISO 2768 m-H

Weight **149,3700** g
Specification



| | | | |
|----------|------------------------|--------------------------|-------------------------------|
| PAGE 2/2 | ISSUE 22-09-17N | SERIES COUPLER | PART NUMBER R432371000 |
|----------|------------------------|--------------------------|-------------------------------|

ELECTRICAL CHARACTERISTICS

| | |
|-----------------------------|-------------|
| Frequency operating range : | 0.5 – 1 GHz |
| Impedance : | 50 Ω |
| VSWR | 1.15 max. |
| Nominal Coupling : | 3 dB |
| Insertion Loss : | 0.3 dB max. |
| Isolation : | 25 dB mini |
| Amplitude Balance : | ± 0.5 dB |
| Phase Balance : | 90°±5° |
| Average Power at 25°C | 300W |
| Peak Power at 25°C | 5000W |

MECHANICAL CHARACTERISTICS

| | |
|------------------|--------------------------|
| Connector type : | N female per MIL-C 39012 |
|------------------|--------------------------|

ENVIRONMENTAL CHARACTERISTICS

| | |
|-------------------------|---------------|
| Operating temperature : | -25°C / +70°C |
| Storage temperature : | -25°C / +70°C |