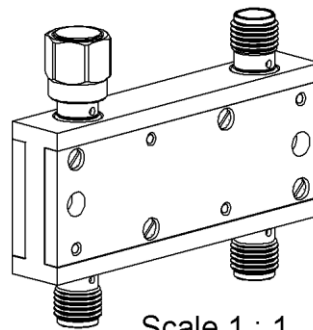
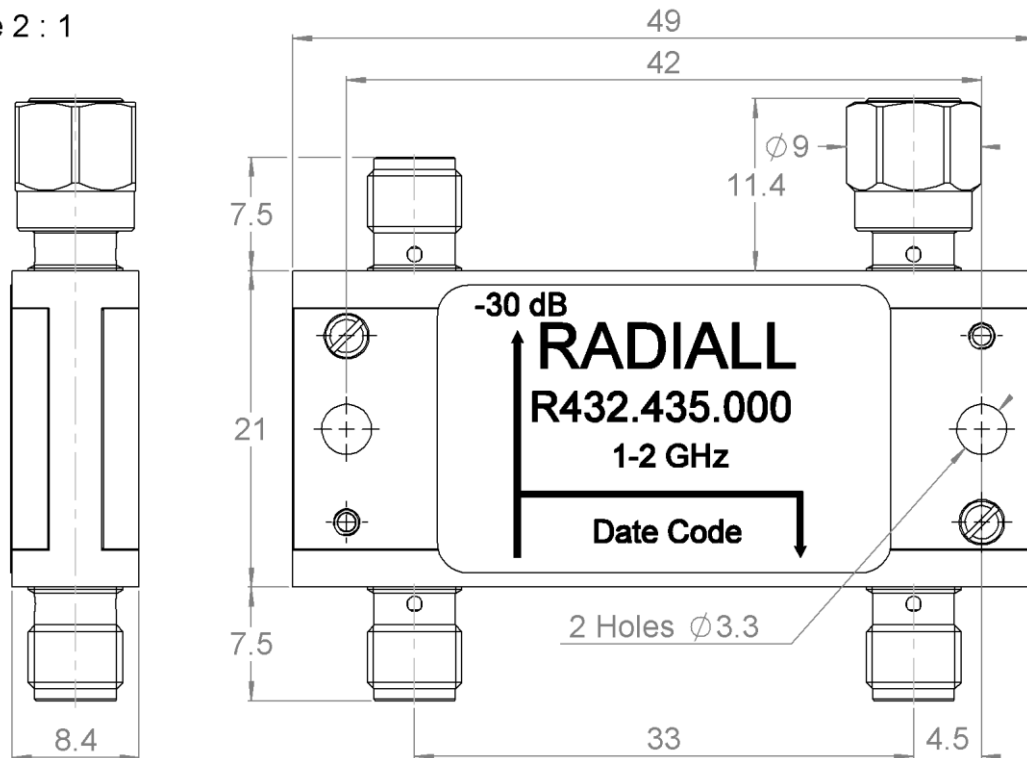


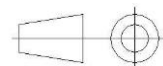
|          |                 |                          |                               |
|----------|-----------------|--------------------------|-------------------------------|
| PAGE 1/2 | ISSUE 04-12-19S | SERIES<br><b>COUPLER</b> | PART NUMBER <b>R432435000</b> |
|----------|-----------------|--------------------------|-------------------------------|

Scale 2 : 1



Scale 1 : 1

All dimensions are in mm. Tolerances according ISO 2768 m-H



Weight Specification **28,1700** g

## ELECTRICAL CHARACTERISTICS

|                             |             |
|-----------------------------|-------------|
| Frequency operating range : | 1 – 2 GHz   |
| Impedance :                 | 50 Ω        |
| VSWR : - Main Line          | 1.15 max.   |
| - Coupled Line              | 1.15 max.   |
| Nominal Coupling :          | 30 dB       |
| Coupling Precision :        | ± 0.3 dB    |
| Insertion Loss :            | 0.4 dB max. |
| Directivity :               | 15 dB mini  |
| Frequency Sensitivity :     | ± 0.8 dB    |
| Average Power at 25°C       | 100W        |
| Peak Power at 25°C          | 3000W       |

## MECHANICAL CHARACTERISTICS

|                       |                            |
|-----------------------|----------------------------|
| Connector type :      | SMA female per MIL-C 39012 |
| Coaxial Termination : | SMA, 50 Ω, 1W              |

## ENVIRONMENTAL CHARACTERISTICS

|                         |               |
|-------------------------|---------------|
| Operating temperature : | -25°C / +70°C |
| Storage temperature :   | -25°C / +70°C |