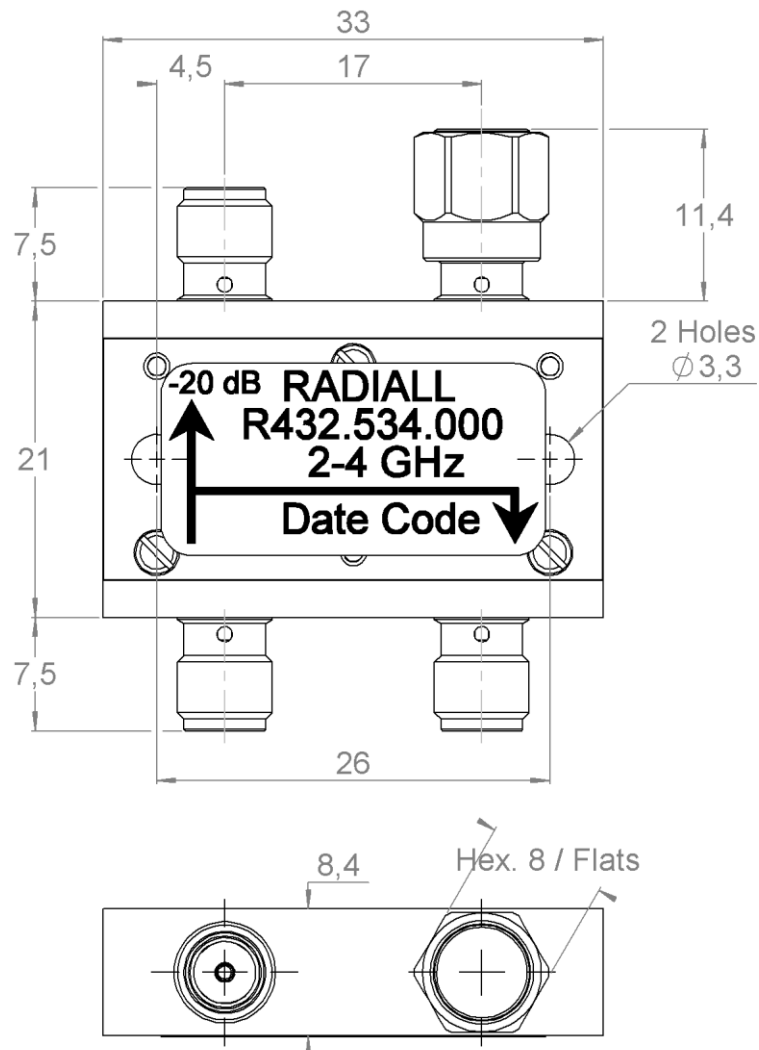


PAGE 1/2	ISSUE 04-12-19T	SERIES <b>COUPLER</b>	PART NUMBER <b>R432534000</b>
----------	-----------------	--------------------------	-------------------------------

Scale 2 : 1



All dimensions are in mm. Tolerances according ISO 2768 m-H

Weight Specification **21,5200** g

## ELECTRICAL CHARACTERISTICS

Frequency operating range :	2 – 4 GHz
Impedance :	50 $\Omega$
VSWR : - Main Line	1.15 max.
- Coupled Line	1.15 max.
Nominal Coupling :	20 dB
Coupling Precision :	$\pm 0.3$ dB
Insertion Loss :	0.4 dB max.
Directivity :	20 dB mini
Frequency Sensitivity :	$\pm 0.8$ dB
Average Power at 25°C	80W
Peak Power at 25°C	3000W

## MECHANICAL CHARACTERISTICS

Connector type :	SMA female per MIL-C 39012
Coaxial Termination :	SMA, 50 $\Omega$ , 1W

## ENVIRONMENTAL CHARACTERISTICS

Operating temperature :	-25°C / +70°C
Storage temperature :	-25°C / +70°C