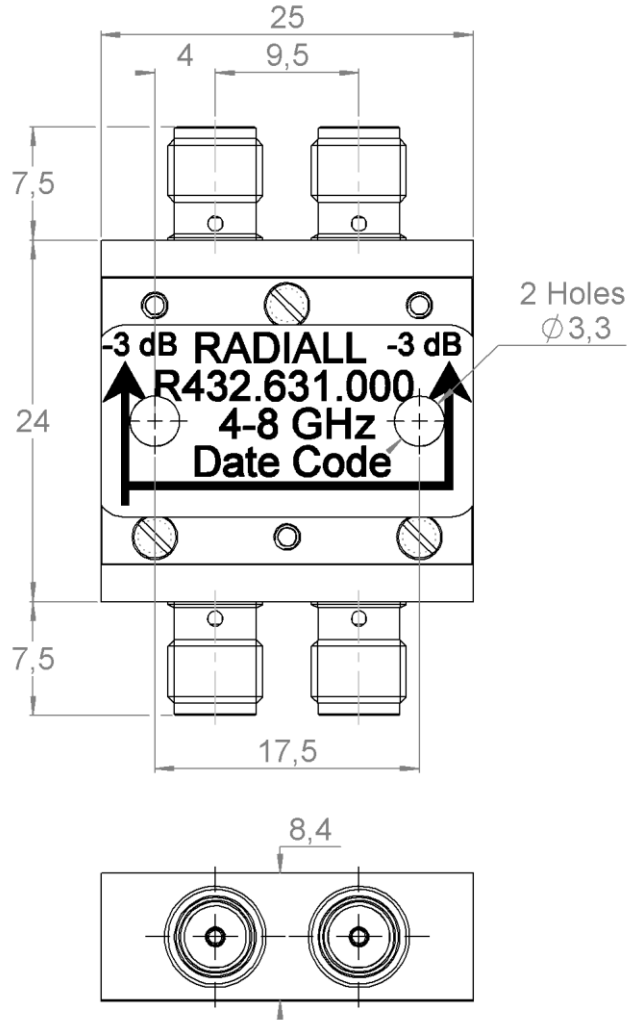


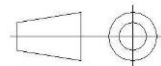
PAGE 1/2	ISSUE 29-09-17K	SERIES COUPLER	PART NUMBER R432631000
----------	------------------------	--------------------------	-------------------------------

Scale 2 : 1



All dimensions are in mm. Tolerances according ISO 2768 m-H

Weight Specification **16,9000** g



ELECTRICAL CHARACTERISTICS

Frequency operating range :	4 – 8 GHz
Impedance :	50 Ω
VSWR	1.25 max.
Nominal Coupling :	3 dB
Insertion Loss :	0.3 dB max.
Isolation :	19 dB mini
Amplitude Balance :	± 0.5 dB
Phase Balance :	$90^\circ \pm 5^\circ$
Average Power at 25°C	50W
Peak Power at 25°C	3000W

MECHANICAL CHARACTERISTICS

Connector type :	SMA female per MIL-C 39012
------------------	----------------------------

ENVIRONMENTAL CHARACTERISTICS

Operating temperature :	-25°C / +70°C
Storage temperature :	-25°C / +70°C