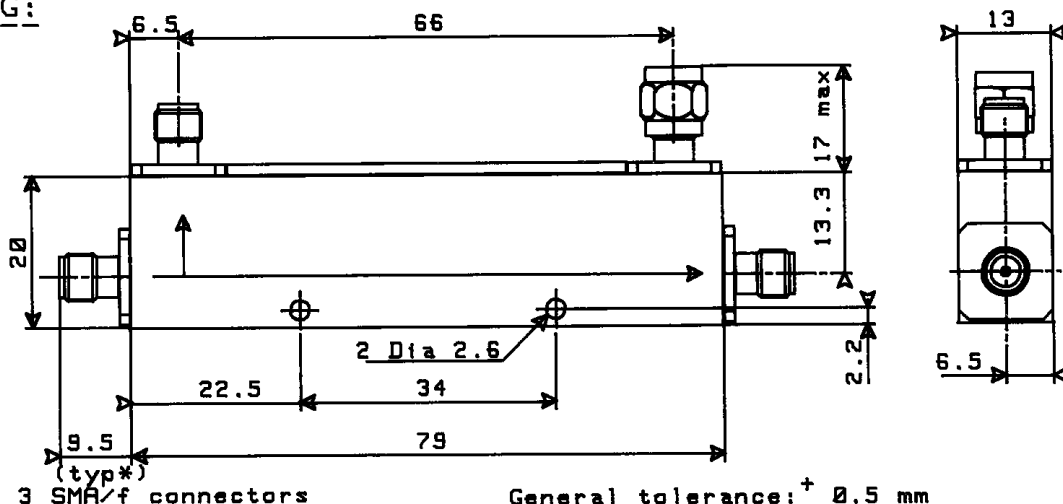




TITLE **20 dB 0.9 - 2.1 GHz DIRECTIONAL COUPLER**

LTR. **C**

DRAWING:



ELECTRICAL CHARACTERISTICS:

|                       |                          |
|-----------------------|--------------------------|
| FREQUENCY RANGE       | : 0.9 - 2.1 GHz          |
| IMPEDANCE             | : 50 Ohms                |
| COUPLING (*)          | : 20 dB ± 0.8 dB         |
| FREQUENCY SENSITIVITY | : ± 0.3 dB               |
| DIRECTIVITY           | : 22 dB mini             |
| INSERTION LOSS        | : 0.4 dB max.            |
| V.S.W.R.              | : 1.15 max.              |
| AVERAGE POWER         | : 50 W CW at 25°C        |
| PEAK POWER            | : 3 kW (1µS, 1%) at 25°C |

MECHANICAL CHARACTERISTICS:

|                                |                              |
|--------------------------------|------------------------------|
| CONNECTORS                     | : SMA female per MIL C 39012 |
| TERMINATION (on isolated port) | : 50 Ω 1 W                   |
| MAXIMUM WEIGHT                 | : 65 g                       |

ENVIRONMENTAL CHARACTERISTICS:

|                             |                  |
|-----------------------------|------------------|
| OPERATING TEMPERATURE RANGE | : - 25°C + 85°C  |
| STORAGE TEMPERATURE RANGE   | : - 40°C + 100°C |

(\*) Frequency sensitivity is included in coupling.

Tentative data subject to change without notice.

|             |                                |                   |                  |                              |          |      |
|-------------|--------------------------------|-------------------|------------------|------------------------------|----------|------|
| PEN<br>CAT  | QUALITY <b>DAI</b><br><i>B</i> | NAME<br><b>B</b>  |                  |                              |          |      |
|             |                                |                   | C                | Nominal coupling -> coupling | 12/10/90 | K.I  |
| PAGE<br>1 1 | DATE<br>10/06/88               | NAME<br>K. LUCIEN | B                | New issue                    | 06/07/90 | K.I  |
|             |                                |                   | <b>REVISIONS</b> |                              |          | DATE |