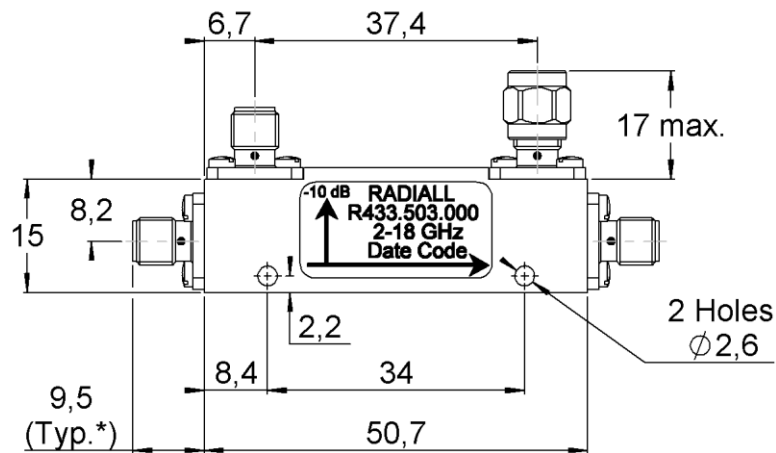


PAGE 1/2	ISSUE 05-12-19A	SERIES <b>COUPLER</b>	PART NUMBER <b>R433503000</b>
----------	-----------------	--------------------------	-------------------------------

Scale 1 : 1



All dimensions are in mm. Tolerances according ISO 2768 m-H

Weight Specification **41,5600** g



### ELECTRICAL CHARACTERISTICS

Frequency operating range :	2 – 18 GHz
Impedance :	50 $\Omega$
VSWR : - Main Line	1.35 max.
- Coupled Line	1.50 max.
Nominal Coupling :	10 dB
Coupling Precision :	$\pm$ 1 dB
Insertion Loss :	1.4 dB max.
Directivity : 2 – 12.4 GHz	15 dB mini
12.4 – 18 GHz	12 dB mini
Frequency Sensitivity :	$\pm$ 0.6 dB
Average Power at 25°C	20W
Peak Power at 25°C	3000W

### MECHANICAL CHARACTERISTICS

Connector type :	SMA female per MIL-C 39012
Coaxial Termination :	SMA, 50 $\Omega$ , 1W

### ENVIRONMENTAL CHARACTERISTICS

Operating temperature :	-25°C / +85°C
Storage temperature :	-40°C / +100°C