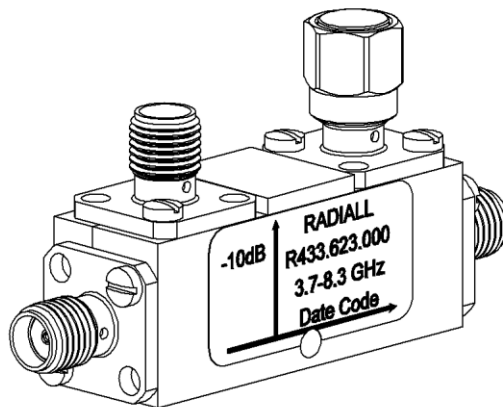
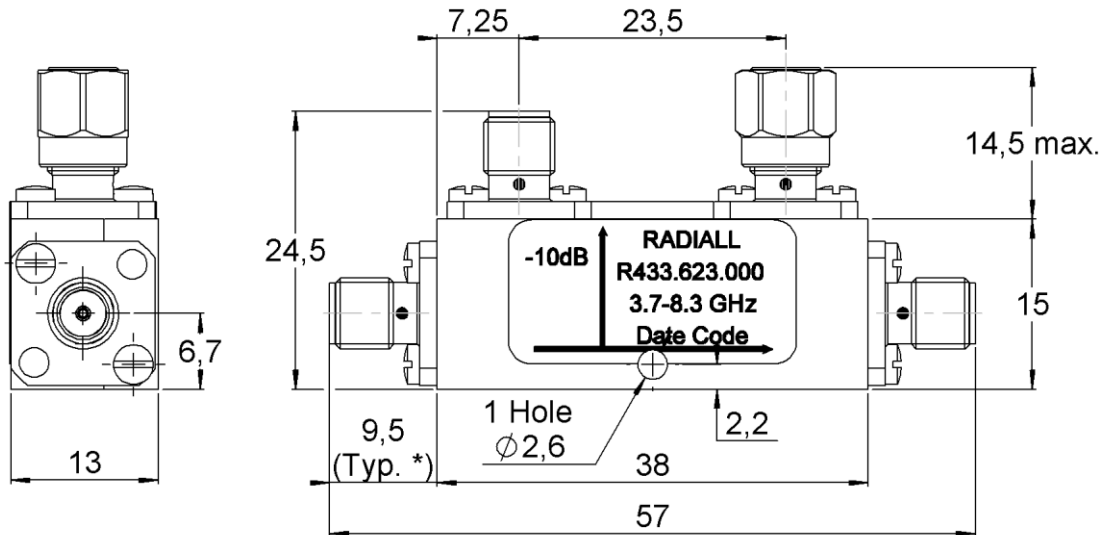


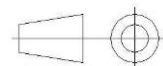
PAGE 1/2	ISSUE 09-12-19B	SERIES COUPLER	PART NUMBER R433623000
----------	-----------------	-------------------	------------------------

**Scale 2 : 1**



All dimensions are in mm. Tolerances according ISO 2768 m-H

Weight Specification **34,2900** g



## ELECTRICAL CHARACTERISTICS

Frequency operating range :	3.7 – 8.3 GHz
Impedance :	50 Ω
VSWR : - Main Line	1.25 max.
- Coupled Line	1.25 max.
Nominal Coupling :	10 dB
Coupling Precision :	± 0.5 dB
Directivity :	18 dB mini
Insertion loss :	1 dB max.
Frequency Sensitivity :	± 0.3 dB
Average Power at 25°C	50W
Peak Power at 25°C	3000W

## MECHANICAL CHARACTERISTICS

Connector type :	SMA female per MIL-C 39012
Coaxial Termination :	SMA, 50 Ω, 1W

## ENVIRONMENTAL CHARACTERISTICS

Operating temperature :	-25°C / +85°C
Storage temperature :	-40°C / +100°C