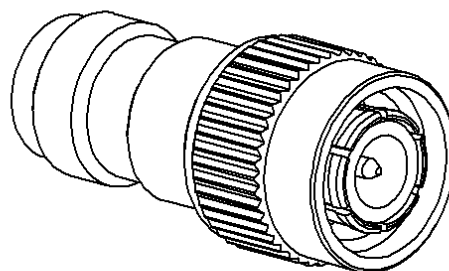
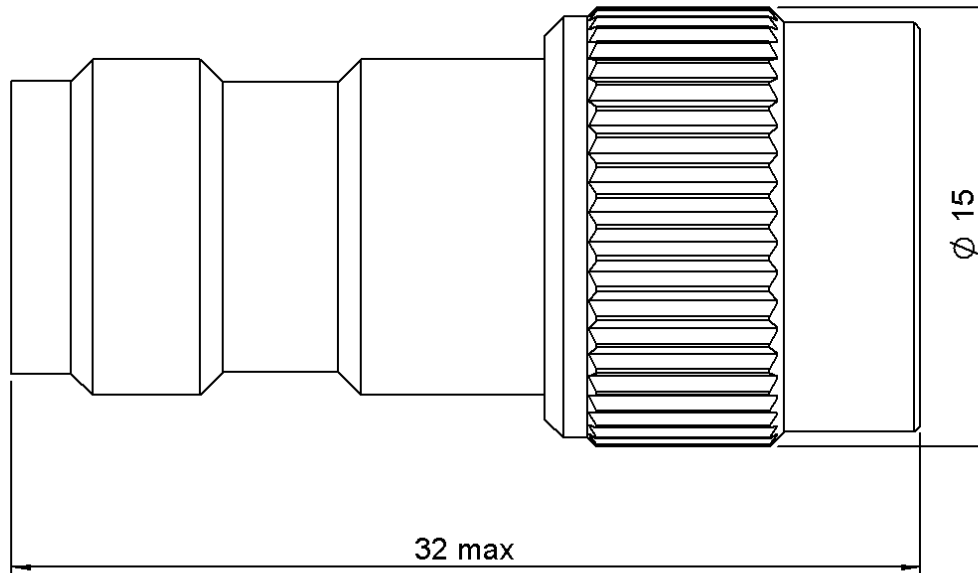
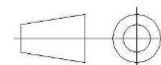


|          |                 |                 |                        |
|----------|-----------------|-----------------|------------------------|
| PAGE 1/2 | ISSUE 13-11-19A | SERIES DC BLOCK | PART NUMBER R443151000 |
|----------|-----------------|-----------------|------------------------|



All dimensions are in mm. Tolerances according ISO 2768 m-H



| COMPONENTS            | MATERIALS               | PLATING (µm)                  |
|-----------------------|-------------------------|-------------------------------|
| Body                  | <b>BRASS</b>            | <b>NICKEL 2</b>               |
| Male center contact   | <b>BRASS</b>            | <b>GOLD 0.5 OVER NICKEL 2</b> |
| Female center contact | <b>BERYLLIUM COPPER</b> | <b>GOLD 0.5 OVER NICKEL 2</b> |
| Outer contact         |                         |                               |
| Insulator             | <b>PTFE</b>             |                               |
| Gasket                | <b>SILICONE RUBBER</b>  |                               |
| Substrate             |                         |                               |
| Resistor              |                         |                               |
| Others parts          |                         |                               |

|          |                 |                 |                        |
|----------|-----------------|-----------------|------------------------|
| PAGE 2/2 | ISSUE 13-11-19A | SERIES DC BLOCK | PART NUMBER R443151000 |
|----------|-----------------|-----------------|------------------------|

**ELECTRICAL CHARACTERISTICS**

|                 |                 |              |
|-----------------|-----------------|--------------|
| Frequency (GHz) | <b>0.01 - 3</b> | <b>3 - 6</b> |
| V.S.W.R (≤)     | <b>1.20</b>     | <b>1.40</b>  |
| Deviation(±dB)  | <b>0.30</b>     | <b>0.60</b>  |

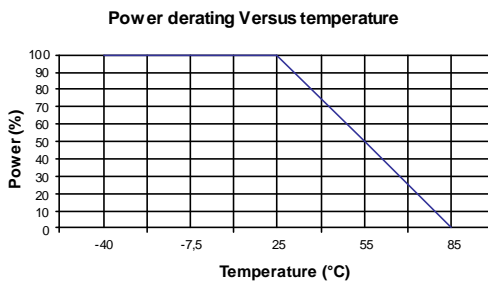
|                           |                 |                       |
|---------------------------|-----------------|-----------------------|
| Operating Frequency Range | <b>0.01 - 6</b> | GHz                   |
| Impedance                 | <b>50</b>       | Ω                     |
| Main Line Voltage         | <b>60</b>       | V                     |
| Typical capacitance       | <b>4700</b>     | pF                    |
| Average power at 25°C     | <b>10</b>       | W (Free Air Cooled)   |
|                           |                 | W (Conduction Cooled) |

**MECHANICAL CHARACTERISTICS**

|            |                |                    |                    |
|------------|----------------|--------------------|--------------------|
| Connectors | <b>TNC</b>     | <b>Male Female</b> | <b>MIL-C 39012</b> |
| Weight     | <b>16,7700</b> | g                  |                    |

**ENVIRONMENTAL CHARACTERISTICS**

|                             |                  |    |
|-----------------------------|------------------|----|
| Operating temperature range | <b>-40 / +85</b> | °C |
| Storage temperature range   | <b>-40 / +85</b> | °C |



**SPECIFICATION**

**OTHER CHARACTERISTICS**