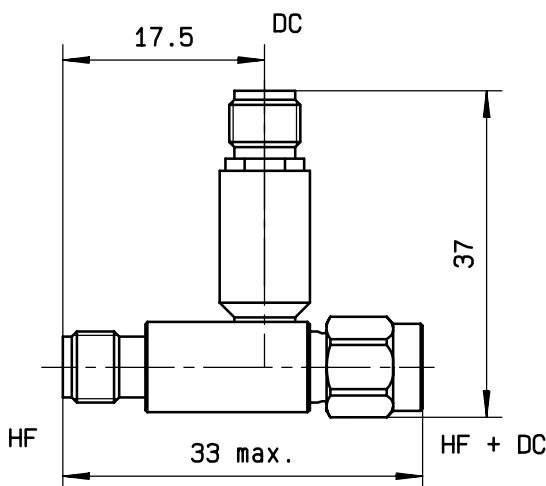


1.5- 6 GHz SMA MONITOR TEE

issue  
24. apr. 95

Page  
1 / 1

**DRAWING**



General tolerances: +/- 0.5 mm

**R F CHARACTERISTICS**

FREQUENCY RANGE : 1.5 - 6 GHz  
 IMPEDANCE : 50 Ohms

FREQUENCY	1.5 - 4 GHz	4 - 6 GHz
V.S.W.R	<= 1.20	<= 1.20
INSERTION LOSS	<= 0.20 dB	<= 0.40 dB
REJECTION ATT	>= 35 dB	>= 45 dB

DC RESISTANCE OF INDUCTANCE : 0.15 Ohms  
 MAXIMUM DC CURRENT : 250 mA  
 MAXIMUM DC VOLTAGE : 100 V  
 TYPICAL CAPACITANCE : 10 pF  
 AVERAGE POWER at 25°C : 10 W

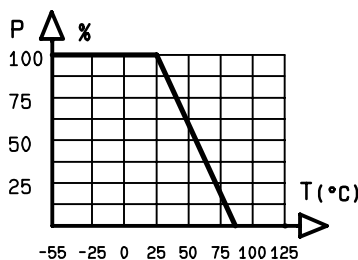
**MECHANICAL CHARACTERISTICS**

CONNECTORS : SMA male/female per MIL-C 39012  
 WEIGHT : < 15 g

**ENVIRONMENTAL CHARACTERISTICS**

OPERATING TEMPERATURE RANGE (°C) : -40 , +85  
 STORAGE TEMPERATURE RANGE (°C) : -40 , +85

Power derating  
Versus temperature



This information is given as an indication. In the continual goal to improve our products, we reserve the right to make any modifications judged necessary

QUALITY  
Dpt app. \_\_\_\_\_

CREATION  
PEN : CAT  
EP : -----  
Nom : AB  
Date: 24. apr. 95

ISSUE

REVISIONS

NAME

**RADIALL®**

101. Philibert Hoffmann | Phone: 33.1.49353535  
 - Z.I Ouest - | Fax : 33.1.48546363  
 93116 ROSNY/BOIS Cedex-FRANCE | Tlx RADIA 235220F