



0.9 - 3 GHz

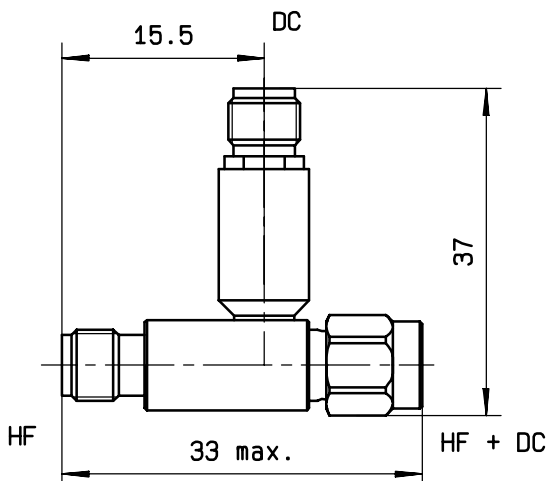
SMA

MONITOR TEE

issue  
07. Jun. 96

Page  
1 / 1

**DRAWING**



General tolerances: +/- 0.5 mm

**R F CHARACTERISTICS**

FREQUENCY RANGE : 0.9 - 3 GHz  
 IMPEDANCE : 50 Ohms

FREQUENCY	0.9- 3 GHz
V.S.W.R	<= 1.25
INSERTION LOSS	<= 0.25 dB

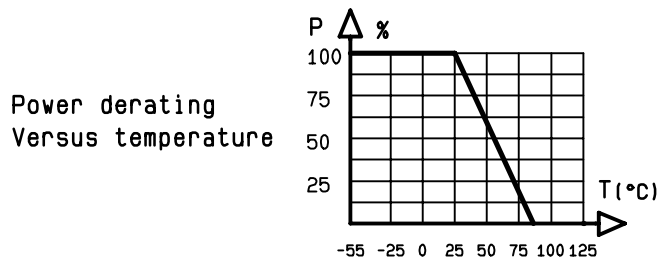
REJECTION ATTENUATION : 40 dB  
 DC RESISTANCE OF INDUCTANCE : 0.15 Ohms  
 MAXIMUM DC CURRENT : 250 mA  
 MAXIMUM DC VOLTAGE : 50 V  
 TYPICAL CAPACITANCE : 10 pF  
 AVERAGE POWER at 25°C : 10 W

**MECHANICAL CHARACTERISTICS**

CONNECTORS : SMA male/female per MIL-C 39012  
 WEIGHT : < 15 g

**ENVIRONMENTAL CHARACTERISTICS**

OPERATING TEMPERATURE RANGE (°C) : -5 , +65  
 STORAGE TEMPERATURE RANGE (°C) : -5 , +65



This information is given as an indication. In the continual goal to improve our products, we reserve the right to make any modifications judged necessary

4112-9212

**CREATION**  
 N° : 950014077  
 PEN/EP:95236  
 Name:MG  
 Date:07. Jun. 96  
 APP.:AF

ISSUE	REVISIONS	NAME	APPR.

**RADIALL®**  
 101. rue P. Hoffmann -Z.I Ouest-  
 93116 ROSNY/BOIS Cedex-FRANCE  
 Phone:33(1)49353535  
 Fax :33(1)48546363  
 Twx RADIA 235220F