



6 -12.4GHz

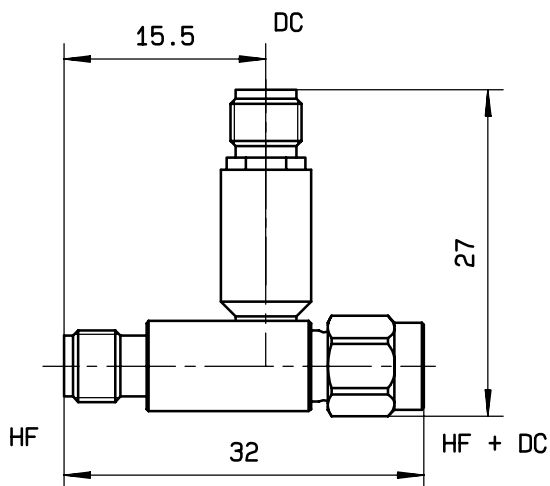
SMA

MONITOR TEE

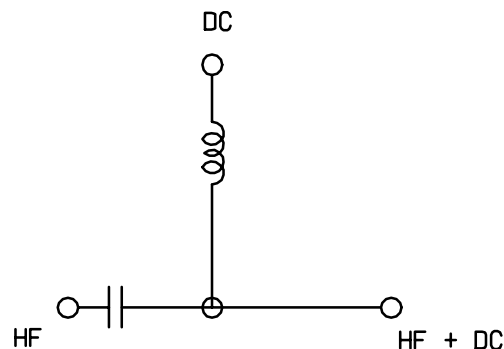
issue
14. Jun. 89

Page
1 / 1

DRAWING



SCHEMATIC



General tolerances: +/- 0.5 mm

R F CHARACTERISTICS

FREQUENCY RANGE

: 6 - 12.4 GHz

IMPEDANCE

: 50 Ohms

FREQUENCY	6- 12.4GHz
V.S.W.R	<= 1.35
INSERTION LOSS	<= 0.50 dB

REJECTION ATTENUATION

: 45 dB

DC RESISTANCE OF INDUCTANCE

: 0.15 Ohms

MAXIMUM DC CURRENT

: 250 mA

MAXIMUM DC VOLTAGE

: 100 V

NOMINAL CAPACITY

: 3.5 pF

MAXIMUM POWER at 25°C

: 25 W CW

MECHANICAL CHARACTERISTICS

CONNECTORS

: SMA male/female per MIL-C 39012

WEIGHT

: < 15 g

ENVIRONMENTAL CHARACTERISTICS

OPERATING TEMPERATURE RANGE

(°C) : -40 , +85

This information is given as an indication. In the continual goal to improve our products, we reserve the right to make any modifications judged necessary

4112-9212

CREATION				
N° :				
PEN/EP:CAT				
Name:KL				
Date:14. Jun. 89				
APP.:VE				
ISSUE		REVISIONS	NAME	APPR.

RADIALL®

101. rue P. Hoffmann -Z.I Ouest-
93116 ROSNY/BOIS Cedex-FRANCE
Phone:33(1)49353535
Fax :33(1)48546363
Twx RADIA 235220F