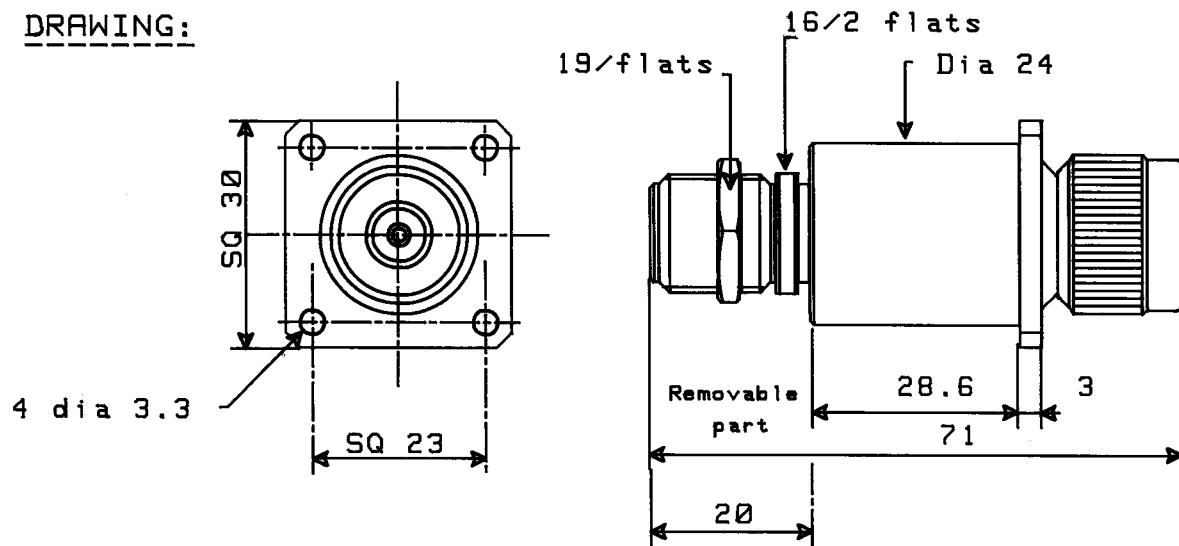


**RADIALL****R 447171000****TECHNICAL  
DATA SHEET**TITLE **SINGLE CHANNEL ROTARY JOINT**LTR. **B**DRAWING:GENERAL TOLERANCES :  $\pm 0.5$  mmELECTRICAL CHARACTERISTICS :

FREQUENCY RANGE : DC - 12.4 GHz (usable up to 18 GHz)  
 IMPEDANCE : 50 Ohms  
 WOW ON V.S.W.R. :  $\leq 1.02$

| FREQUENCY ( GHz )            | DC - 2 | 2 - 8 | 8 - 12.4 |
|------------------------------|--------|-------|----------|
| V.S.W.R. ( $\leq$ )          | 1.10   | 1.25  | 1.50     |
| INSERT.LOSS ( dB )           | 0.10   | 0.25  | 0.60     |
| MAXIMUM POWER (W) at 25°C cw | 200    | 100   | 60       |

PEAK POWER at 25°C : 2 kW (5  $\mu$ S)MECHANICAL CHARACTERISTICS:

CONNECTORS : N (male/female) per MIL C 39012  
 MAXIMUM ROTATION SPEED : 100 rpm  
 LIFE --- :  $2 \cdot 10^6$  rotation  
 MAXIMUM ROTATION TORQUE : 10cm.N  
 MAXIMUM WEIGHT : 150 grams

ENVIRONMENTAL CHARACTERISTICS:

OPERATING TEMPERATURE RANGE : - 40°C + 85°C

PEN

QUALITY Dpt App.

MO  
B

13 MAY 1991

PAGE

DATE

NAME

B

New issue

11/04/91 K.L.

1/4

11/04/91

K.LUCIEN

LTR

**REVISIONS**

DATE

APP.