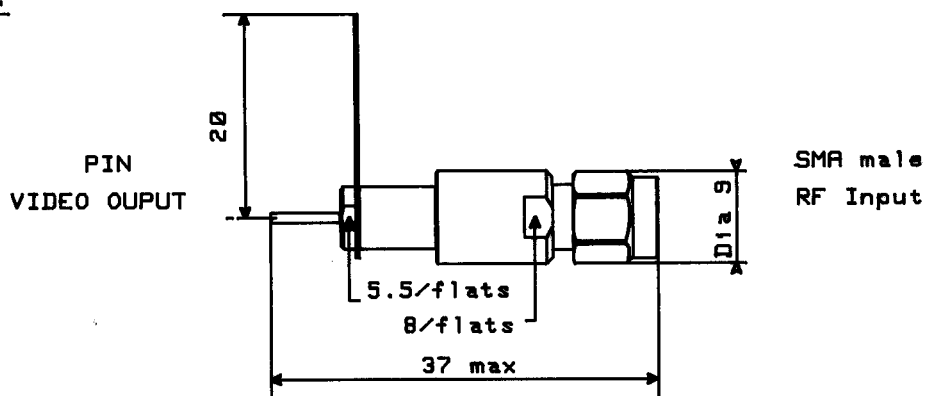


**RADIALL****R451 033 000****TECHNICAL
DATA SHEET**TITLE **HIGH SENSITIVITY COAXIAL DETECTOR**LTR. **A**DRAWING:General tolerances: ± 0.5 mmELECTRICAL CHARACTERISTICS:

IMPEDANCE	: 50 Ω
FREQUENCY RANGE	: 1 - 18 GHz
V.S.W.R.	: N / A
SENSITIVITY LOW LEVEL $P_{\epsilon} = < -20$ dBm	: 1500 mV / mW
TANGENTIAL SENSITIVITY	: - 50 dBm mini
FREQUENCY RESPONSE	: ± 2 dB
VIDEO CAPACITY (Typical)	: 20 pF
MAXIMUM POWER (CW)	: 200 mW max.
POLARITY	: Negative
DIODE	: ``ZERO BIAS`` SCHOTTKY

MECHANICAL CHARACTERISTICS:

CONNECTOR	RF INPUT	: SMA male per MIL C 39012
	VIDEO OUTPUT	: Pin and Solder lug
WEIGHT		: 10 grams

ENVIRONMENTAL CHARACTERISTICS:

OPERATING TEMPERATURE RANGE	: - 25°C + 70°C
STORAGE TEMPERATURE RANGE	: - 40°C + 85°C

PEN
CATQUALITY Dpt App.
13 AVR 1992
BPAGE
1 / 1DATE
01/04/92NAME
K. LUCIEN

LTR

REVISIONS

DATE

APP.