

This information is given as an indication. In the continual goal to improve our products, we reserve the right to make any modifications judged necessary



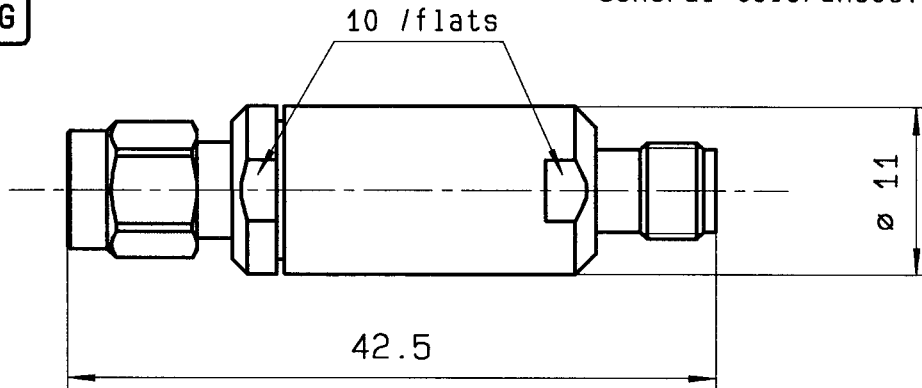
WIDE BAND COAXIAL DETECTOR

issue
27.oct.98

Page
1 / 1

DRAWING

General tolerances: +/- 0.5 mm



R F CHARACTERISTICS

| | | |
|-----------------------------|--------------|--------------------------------|
| FREQUENCY RANGE | : | 0.01-12.4GHz |
| IMPEDANCE | : | 50 Ohms |
| V.S.W.R | 0.01- 8 GHz | : <= 1.35 |
| | 0.01-18 GHz | : <= 1.50 |
| FREQUENCY RESPONSE | 0.01- 8 GHz | : ± 0.2 dB/octave |
| | 0.01-12.4GHz | : ± 0.5 dB |
| | | : |
| SENSITIVITY (Pe= - 0.35 mW) | | : >=100mV |
| POLARITY | | : negative |
| TANGENTIAL SENSITIVITY | | : >= -44 dBm |
| SQUARE LOW RESPONSE LIMIT | | : -12 dBm |
| VIDEO IMPEDANCE | | : 2 KOhm typical |
| FILIERING CAPACITY | | : 20 pF typical |
| MAXIMUM POWER | | : 200 mW CW |
| DIODE | | : R451950 schottky "zero bias" |
| TEMPERATURE STABILITY | | : 0.015 dB / (°C) |

MECHANICAL CHARACTERISTICS

| | | |
|------------------------|---|---------------------------|
| INPUT CONNECTOR | : | SMA male per MIL-C 39012 |
| VIDEO OUTPUT CONNECTOR | : | SMA female per MIL C39012 |
| WEIGHT | : | < 120 g |

ENVIRONMENTAL CHARACTERISTICS

| | | | |
|-----------------------------|------|---|-----------|
| OPERATING TEMPERATURE RANGE | (°C) | : | -25 , +70 |
| STORAGE TEMPERATURE RANGE | (°C) | : | -25 , +70 |

CREATION

N° :
PEN/EP: CAT
Name: MG
Date: 16. jan. 91
APP.: AF

27.oct.98
ISSUE

New format

REVISIONS

MG

AF

NAME

APPR.

RADIALL®

101. rue P. Hoffmann - Z.I Quest-
93116 ROSNY/BOIS Cedex-FRANCE
Phone: 33(1)49353535
Fax : 33(1)48546363
Tvx RADIA 235220F