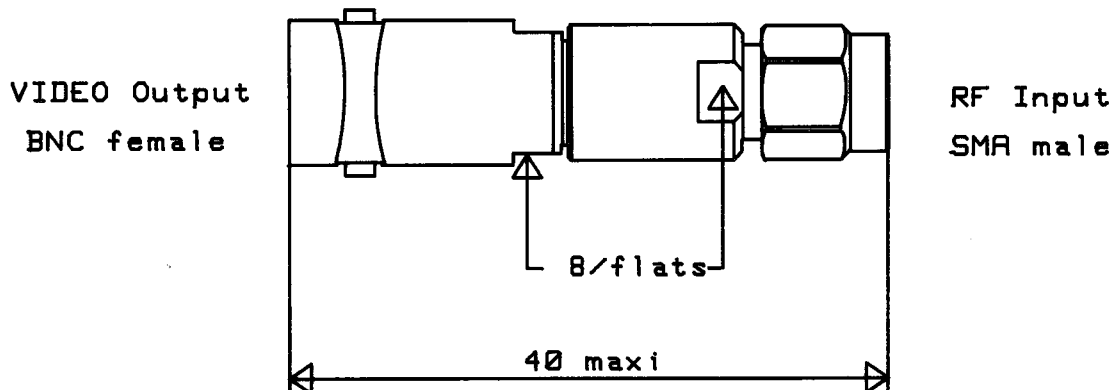




TITLE WIDE BAND COAXIAL DETECTOR

LTR. A

DRAWING:



General tolerances: ± 0.5 mm

ELECTRICAL CHARACTERISTICS:

| | | |
|---|---|-----------------------|
| IMPEDANCE | : | 50 Ω |
| FREQUENCY RANGE | : | 0.01 - 18 GHz |
| V.S.W.R. (0.01 - 8 GHz) | : | <= 1.35 |
| (8 - 18 GHz) | : | <= 1.50 |
| SENSITIVITY LOW LEVEL P _E < - 20 dBm | : | > 500 mV / mW |
| HIGH LEVEL P _E = 0.35 mW. | : | > 100 mV / mW |
| TANGENTIAL SENSITIVITY | : | - 44 dBm |
| FREQUENCY RESPONSE (0.01 - 12.4 GHz) | : | ± 0.5 dB |
| (0.01 - 18 GHz) | : | ± 1 dB |
| OUTPUT VIDEO IMPEDANCE (Typical) | : | 1 kΩ |
| VIDEO CAPACITY (Typical) | : | 20 pF |
| MAXIMUM POWER (CW) | : | 200 mW maxi. |
| POLARITY | : | Negative |
| DIODE | : | ``ZERO BIAS``SCHOTTKY |

MECHANICAL CHARACTERISTICS:

| | | | |
|------------|--------------|---|-----------------------|
| CONNECTORS | RF INPUT | : | SMA m per MIL C 39012 |
| | VIDEO OUTPUT | : | BNC f per MIL C 39012 |
| WEIGHT | MAXIMUM | : | 15 grams |

ENVIRONMENTAL CHARACTERISTICS:

| | | |
|-----------------------------|---|----------------|
| OPERATING TEMPERATURE RANGE | : | - 65°C + 120°C |
| STORAGE TEMPERATURE RANGE | : | - 65°C + 125°C |
| GUARANTEED PREFORMANCES | : | - 25°C + 70°C |

| | | | | | | |
|---------------|------------------|---------------------|-----|-----------|------|------|
| PEN | QUALITY Dpt App. | | LTR | REVISIONS | DATE | APP. |
| | | | | | | |
| PAGE 1 / 1 | DATE 08/03/89 | NAME PAMPIGLIONE | | | | |

Tentative data subject to change without notice.

3294-8609