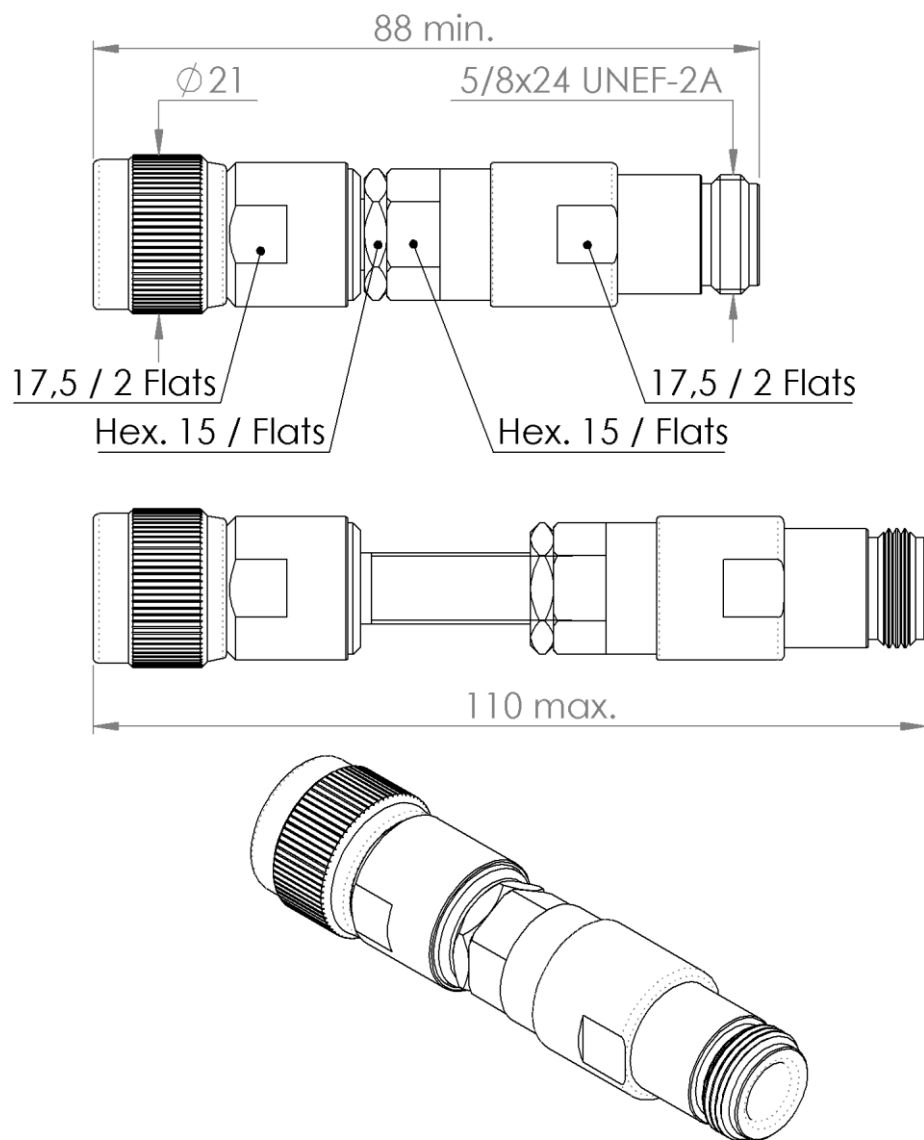
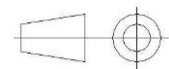


PAGE 1/2	ISSUE 31-01-19A	SERIES PHASE SHIFTER	PART NUMBER R499102410
----------	-----------------	----------------------	------------------------



All dimensions are in mm. Tolerances according ISO 2768 m-H



Weight **140,000** g
 Specification

PAGE 2/2	ISSUE 31-01-19A	SERIES PHASE SHIFTER	PART NUMBER R499102410
----------	------------------------	-----------------------------	-------------------------------

ELECTRICAL CHARACTERISTICS

Operating Frequency Range	1 – 1.1	GHz
Impedance	50	Ω
VSWR	1.25	Max.
Insertion Loss	0.1	dB
Maximum Shift Range	6	° Max.
Phase Shift Range per Rotation	0.3	°
Peak power at 25°C (1μs, 1%)	200	W
Average power at 25°C	40	W (Free Air Cooled)

MECHANICAL CHARACTERISTICS

Connectors	N	Male Female	MIL-C 39012
Max Length Variation	22 mm		

ENVIRONMENTAL CHARACTERISTICS

Operating temperature range	-40/+85 °C
Storage temperature range	-55/+85 °C