

# 1000BASE-T TRANSFORMER MODULES

Industrial grade



- Compliant with IEEE 802.3 standards
- 350µH OCL with 8mA DC bias at 100KHz 100mV
- Lead finish: Pure tin
- Moisture Sensitivity Level: 1

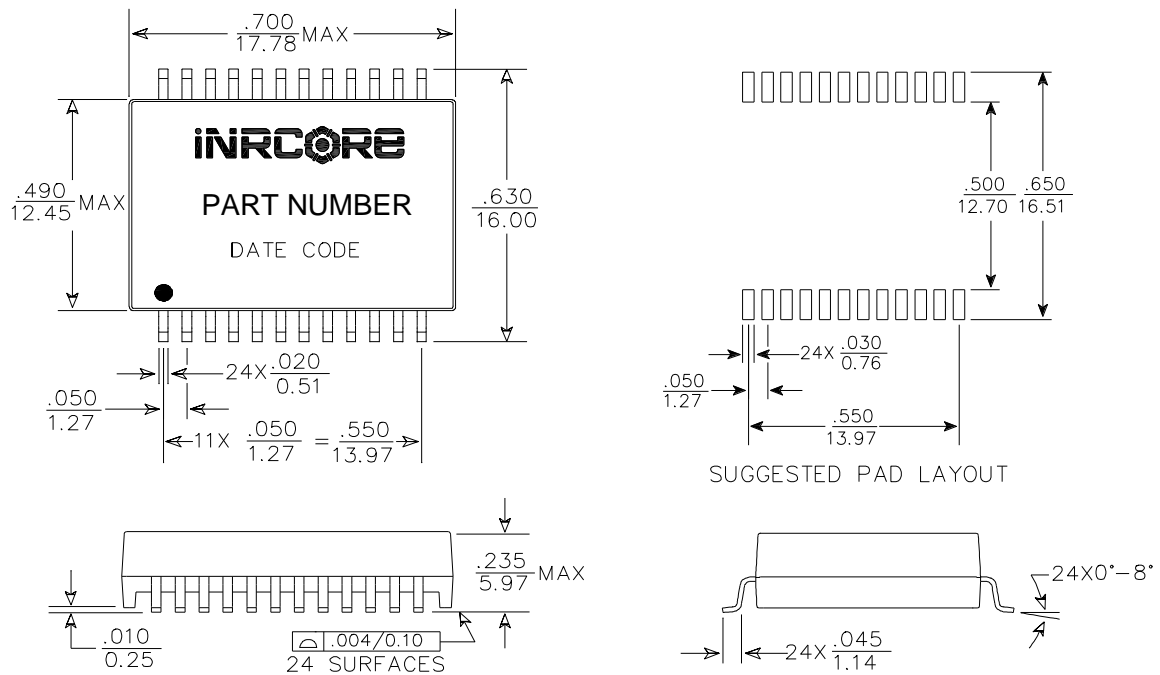
## Electrical Specifications @ 25 °C – Operating Temperature –40 °C to +85 °C

Part Number	Insertion Loss (dB MAX)	Return Loss (dB MIN)				Crosstalk (dB MIN)			CM to CM Rejection Ratio (dB MIN)			DC to CM Rejection Ratio (dB MIN)			Dielectric Withstanding Voltage @60s (Vrms MIN)
		30 MHz	60 MHz	80 MHz	100 MHz	30 MHz	60 MHz	100 MHz	30 MHz	60 MHz	100 MHz	30 MHz	60 MHz	100 MHz	
R5001NL	-1.2	-18	-12	-10	-8	-43	-37	-33	-40	-35	-30	-43	-37	-33	1500 Vrms

Notes: Add suffix "T" to part number for Tape & Reel package (ie: **R5001NLT**).

## Mechanical

R5001NL



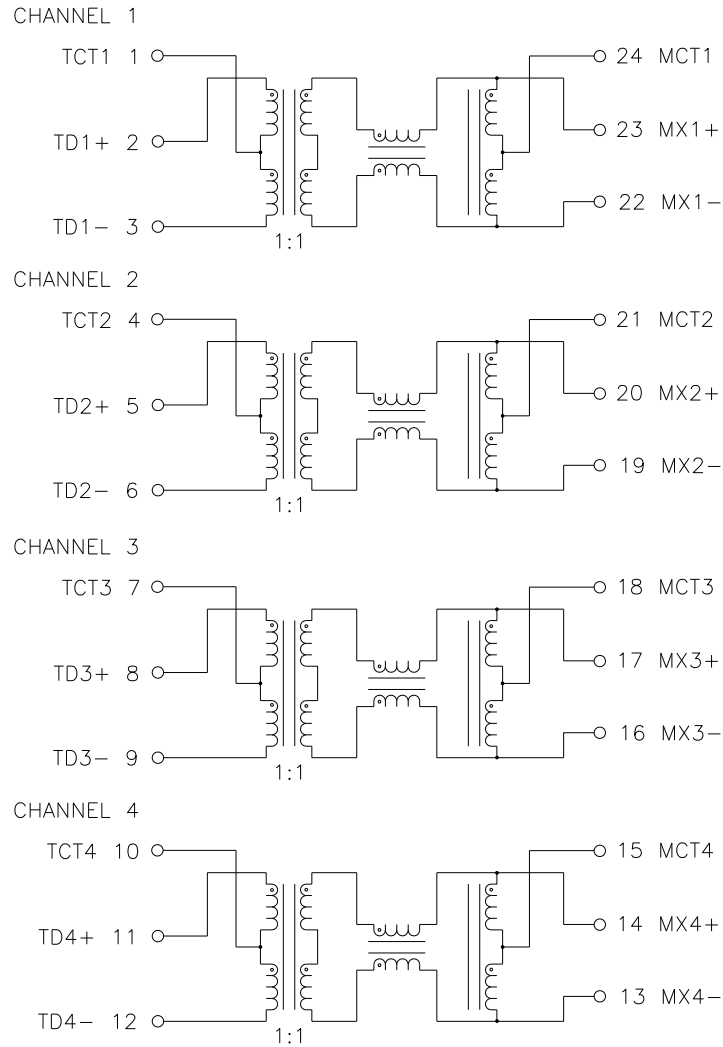
Dimensions:  $\frac{\text{Inches}}{\text{mm}}$

Unless otherwise specified, all tolerances are:  $\pm \frac{.010}{0,25}$

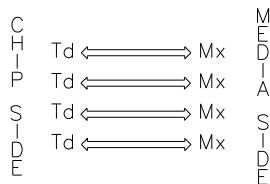


## Electrical Schematic

R5001NL



### LEGEND



ALL CHANNELS ARE  
IN PHASE BETWEEN  
INPUT AND OUTPUT

