



**26.5 GHz SMA-2.9 N/O S.P.4 T. SWITCH**

OPTIONS :

**R F CHARACTERISTICS**

NUMBER OF WAYS : 4  
FREQUENCY RANGE : 0 - 26.5 GHz  
IMPEDANCE : 50 Ohms

|                 |         |         |          |          |
|-----------------|---------|---------|----------|----------|
| FREQUENCY (GHz) | 0 - 6   | 6 -12.4 | 12.4- 18 | 18 -26.5 |
| V.S.W.R <=      | 1.30    | 1.40    | 1.50     | 1.70     |
| INSERT. LOSS <= | 0.20 dB | 0.40 dB | 0.50 dB  | 0.70 dB  |
| ISOLATION >=    | 70 dB   | 60 dB   | 60 dB    | 55 dB    |
| AVER. POWER (*) | 40 W    | 30 W    | 25 W     | 15 W     |

**ELECTRICAL CHARACTERISTICS**

ACTUATOR : NORMALLY OPEN  
NOMINAL CURRENT AT 25° C (±10%) : 102 mA  
ACTUATOR VOLTAGE (Vcc) : 28V (24 to 30V) / POSITIVE COMMON  
TERMINALS : solder pins (250°C max./30 sec.)

**MECHANICAL CHARACTERISTICS**

CONNECTORS : SMA 2.9 fem.per MIL C 39012  
LIFE : 2.000.000 cycles per position  
SWITCHING TIME (nominal voltage;25° C) : < 15 ms  
CONSTRUCTION : splashproof  
WEIGHT : < 180 g

**ENVIRONMENTAL CHARACTERISTICS**

OPERATING TEMPERATURE RANGE (°C) : -40 , +85  
STORAGE TEMPERATURE RANGE (°C) : -55 , +85

(\* : average power at 25° C per RF path)

This information is given as an indication. In the continual goal to improve our products, we reserve the right to make any modifications judged necessary

4112-9212

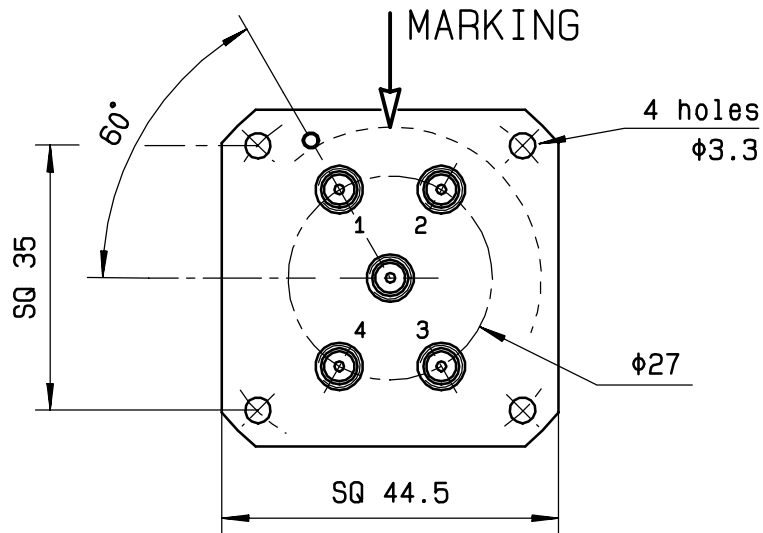
4113-9212 This information is given as an indication. In the continual goal to improve our products, we reserve the right to make any modifications judged necessary

**DRAWING**

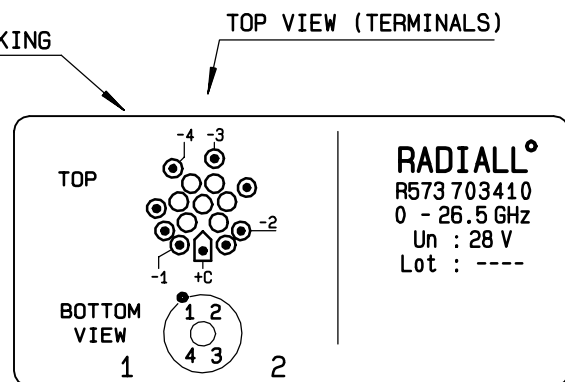
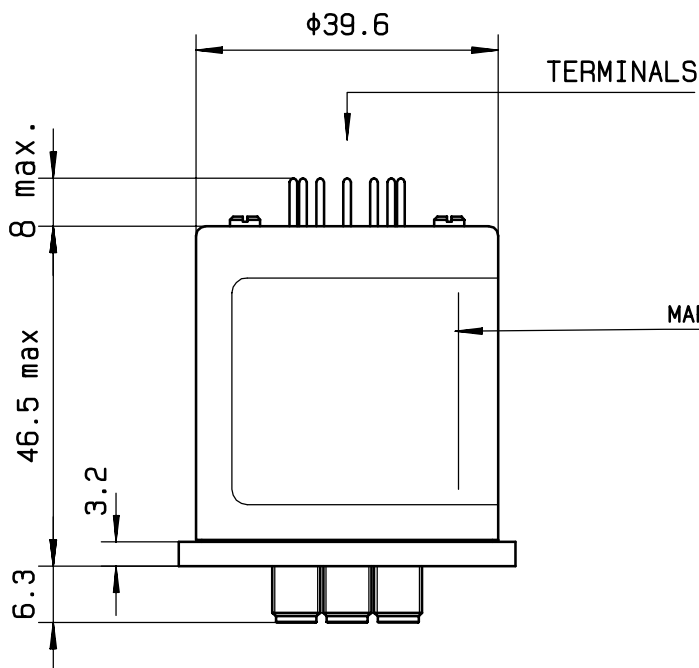
General tolerance: ± 0,5 mm

**R573.703.410**

Page  
2/2



| Voltage | RF continuity |
|---------|---------------|
| +C -1   | IN ↔ 1        |
| +C -2   | IN ↔ 2        |
| +C -3   | IN ↔ 3        |
| +C -4   | IN ↔ 4        |



**SCHEMATIC DIAGRAM**

