

PAGE 1/2

ISSUE 06-02-18

SERIE : SPnT

PART NUMBER : R574802415

## RF CHARACTERISTICS

Number of ways : 4  
 Frequency range : 0 - 40 GHz  
 Impedance : 50 Ohms

| Frequency (GHz)    | DC - 6  | 6 - 12.4 | 12.4 - 18 | 18 - 26.5 | 26.5 - 40 |
|--------------------|---------|----------|-----------|-----------|-----------|
| VSWR max           | 1.30    | 1.40     | 1.50      | 1.70      | 2.20      |
| Insertion loss max | 0.20 dB | 0.40 dB  | 0.50 dB   | 0.70 dB   | 1.10 dB   |
| Isolation min      | 70 dB   | 60 dB    | 60 dB     | 55 dB     | 50 dB     |
| Average power (*)  | 40 W    | 30 W     | 25 W      | 15 W      | 5 W       |

TERMINATION IMPEDANCE : 50 Ohms  
 TERM. AVG. POWER AT 25° C : 1 W per termination / 3 W total power

## ELECTRICAL CHARACTERISTICS

Actuator : NORMALLY OPEN  
 Nominal current \*\* : 250 mA  
 Actuator voltage (Vcc) : 12V (10.2 to 13V) / POSITIVE COMMON  
 Terminals : 25 pins D-SUB male connector

## MECHANICAL CHARACTERISTICS

Connectors : SMA 2.9 female per MIL-C 39012  
 Life : 2 million cycles per position  
 Switching Time\*\*\* : < 15 ms  
 Construction : Splashproof  
 Weight : < 250 g

## ENVIRONMENTAL CHARACTERISTICS

Operating temperature range : -40°C to +85°C  
 Storage temperature range : -55°C to +85°C

(\* Average power at 25°C per RF Path)

(\*\* At 25° C ±10%)

(\*\*\* Nominal voltage ; 25° C)



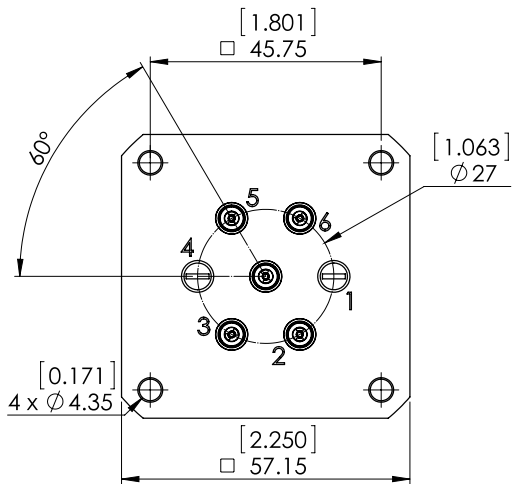
PAGE 2/2

ISSUE 06-02-18

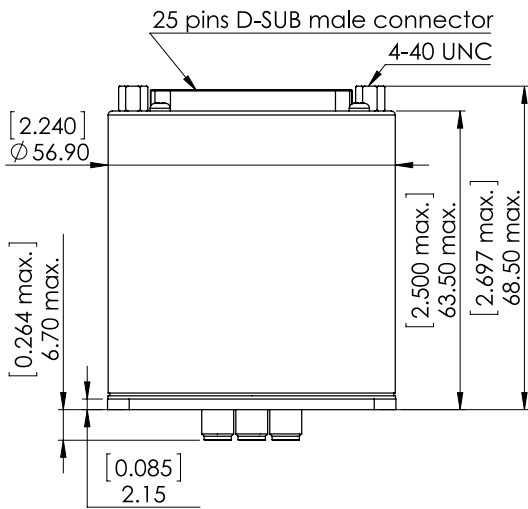
SERIE : SPnT

PART NUMBER : R574802415

**DRAWING**

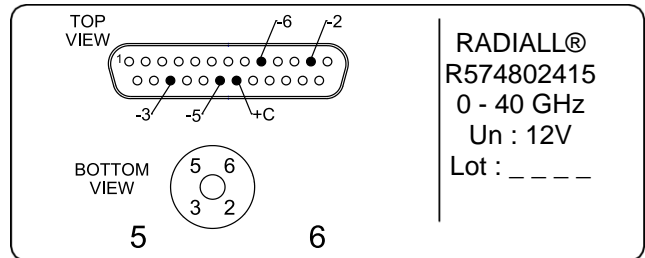


| Voltage | RF Continuity |
|---------|---------------|
| +C -2   | IN ↔ 2        |
| +C -3   | IN ↔ 3        |
| +C -5   | IN ↔ 5        |
| +C -6   | IN ↔ 6        |



General tolerances : ±0,5 mm [0,02 in]

**LABEL**



**SCHEMATIC DIAGRAM**

