

PAGE 1/2

ISSUE 17.12.13

SERIE : SPnT

PART NUMBER : R574F02325

## RF CHARACTERISTICS

Number of ways : **3**  
 Frequency range : **0 - 26.5 GHz**  
 Impedance : **50 Ohms**

| Frequency (GHz)    | DC - 3         | 3 - 8          | 8 - 12.4       | 12.4 - 18      | 18-26.5        |
|--------------------|----------------|----------------|----------------|----------------|----------------|
| VSWR max           | <b>1,20</b>    | <b>1,30</b>    | <b>1,40</b>    | <b>1,50</b>    | <b>1,70</b>    |
| Insertion loss max | <b>0.20 dB</b> | <b>0.30 dB</b> | <b>0.40 dB</b> | <b>0.50 dB</b> | <b>0.70 dB</b> |
| Isolation min      | <b>80 dB</b>   | <b>70 dB</b>   | <b>60 dB</b>   | <b>60 dB</b>   | <b>50 dB</b>   |
| Average power (*)  | <b>240 W</b>   | <b>150 W</b>   | <b>120 W</b>   | <b>100 W</b>   | <b>40 W</b>    |

TERMINATION IMPEDANCE : **50 Ohms**  
 TERM. AVG. POWER AT 25° C : **1 W per termination / 3 W total power**

## ELECTRICAL CHARACTERISTICS

Actuator : **NORMALLY OPEN**  
 Nominal current \*\* : **250 mA**  
 Actuator voltage (Vcc) : **12V (10.2 to 13V)**  
 Terminals : **25 pins D-SUB male connector**  
 TTL inputs (E) - High level : **2.2 to 5.5 V / 800µA at 5.5 V**  
 - Low level : **0 to 0.8 V / 20µA at 0.8 V**

## MECHANICAL CHARACTERISTICS

Connectors : **SMA female per MIL-C 39012**  
 Life : **2.000.000 cycles per position**  
 Switching Time\*\*\* : **< 15 ms**  
 Construction : **Splashproof**  
 Weight : **< 250 g**

## ENVIRONMENTAL CHARACTERISTICS

Operating temperature range : **-40°C to +85°C**  
 Storage temperature range : **-55°C to +85°C**

(\* Average power at 25°C per RF Path)

(\*\* At 25° C ±10%)

(\*\*\* Nominal voltage ; 25° C)



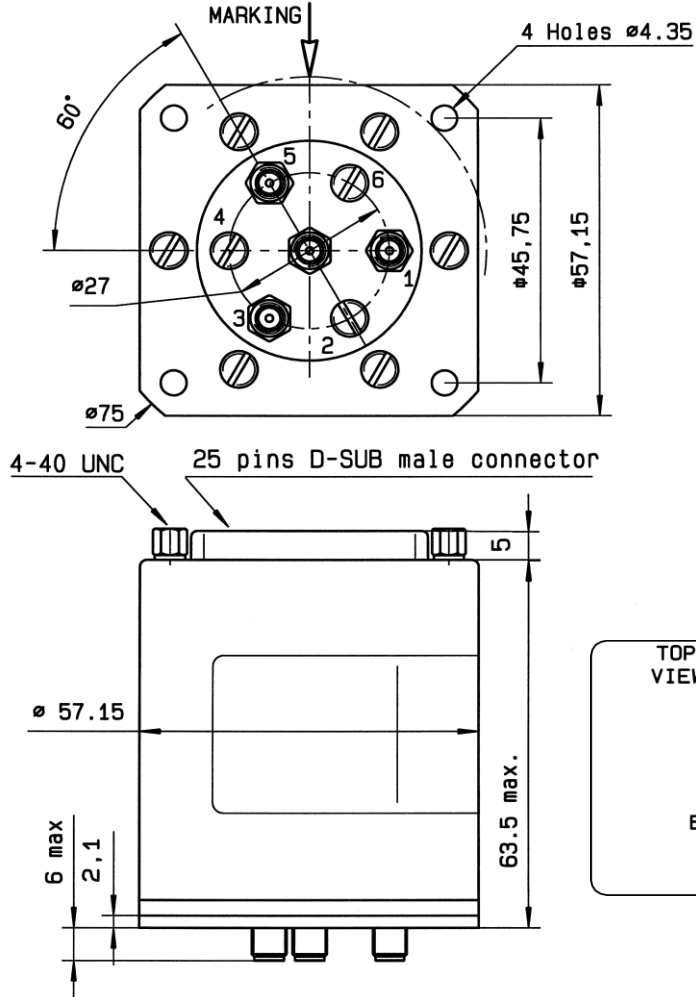
PAGE 2/2

ISSUE 17.12.13

SERIE : SPnT

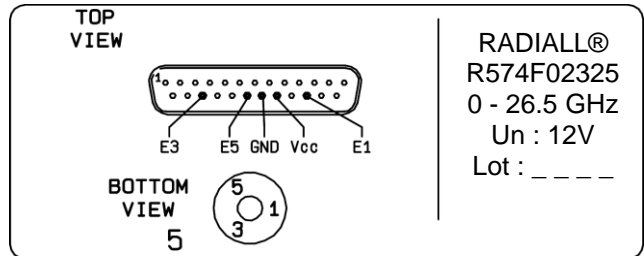
PART NUMBER : R574F02325

DRAWING



| TTL input | RF Continuity          |
|-----------|------------------------|
| E1 = 1    | IN $\leftrightarrow$ 1 |
| E3 = 1    | IN $\leftrightarrow$ 3 |
| E5 = 1    | IN $\leftrightarrow$ 5 |

**LABEL**



General tolerances :  $\pm 0.5$  mm

SCHEMATIC DIAGRAM

