

PAGE 1/2

ISSUE 03-12-20

SERIE : SPnT

PART NUMBER : R574J33415

RF CHARACTERISTICS

Number of ways : 4
Frequency range : 0 - 50 GHz
Impedance : 50 Ohms

| Frequency (GHz) | DC - 6 | 6 - 12.4 | 12.4 - 18 | 18 - 26.5 | 26.5 - 40 | 40 - 50 |
|--------------------|---------|----------|-----------|-----------|-----------|---------|
| VSWR max | 1.30 | 1.40 | 1.50 | 1.70 | 1.90 | 2.20 |
| Insertion loss max | 0.20 dB | 0.40 dB | 0.50 dB | 0.70 dB | 0.90 dB | 1.20 dB |
| Isolation min | 70 dB | 60 dB | 60 dB | 55 dB | 50 dB | 50 dB |
| Average power (*) | 40 W | 30 W | 25 W | 15 W | 5 W | 3 W |

TERMINATION IMPEDANCE : 50 Ohms
TERM. AVG. POWER AT 25° C : 1 W per termination / 3 W total power

ELECTRICAL CHARACTERISTICS

Actuator : LATCHING
Nominal current ** : 125 mA / RESET : 500 mA ****
Actuator voltage (Vcc) : 28V (24 to 30V) / POSITIVE COMMON
Terminals : 25 pins D-SUB male connector
Indicator rating : 1 W / 30 V / 100 mA

MECHANICAL CHARACTERISTICS

Connectors : 2.4mm female (According to IEEE STD 287)
Life : 2 million cycles per position
Switching Time*** : < 15 ms
Construction : Splashproof
Weight : < 250 g

ENVIRONMENTAL CHARACTERISTICS

Operating temperature range : -25°C to +70°C
Storage temperature range : -40°C to +85°C

(* Average power at 25°C per RF Path)

(** At 25° C ±10%)

(*** Nominal voltage ; 25° C)

(**** Reset : supply voltage time 1sec. max. / duty cycle 10%)



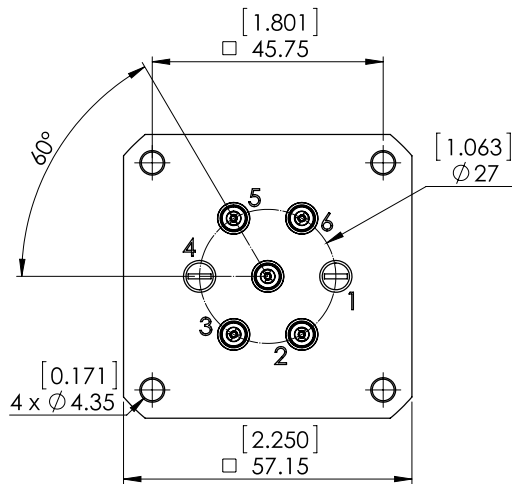
PAGE 2/2

ISSUE 03-12-20

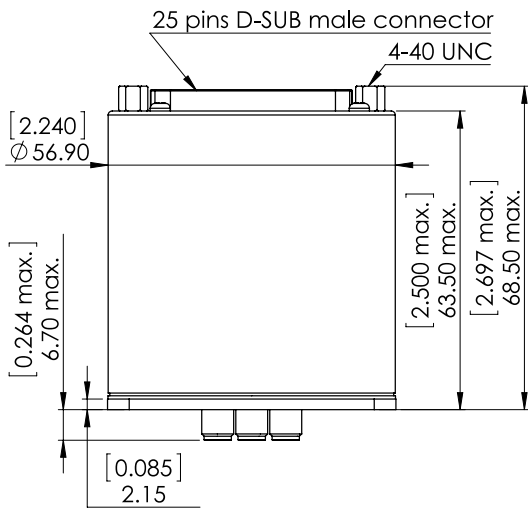
SERIE : SPnT

PART NUMBER : R574J33415

DRAWING

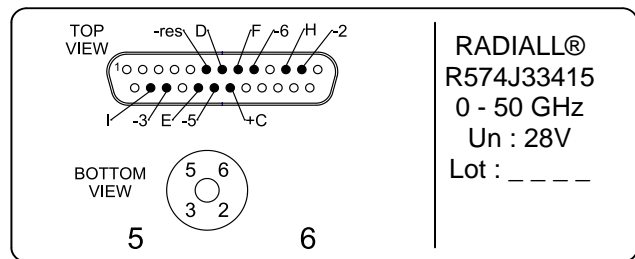


| Voltage | RF Continuity | Ind. |
|-----------|----------------|------|
| +C -RESET | All ports open | - - |
| +C -2 | IN ↔ 2 | D.H |
| +C -3 | IN ↔ 3 | D.I |
| +C -5 | IN ↔ 5 | D.E |
| +C -6 | IN ↔ 6 | D.F |



General tolerances : ±0,5 mm [0,02 in]

LABEL



SCHEMATIC DIAGRAM

