

RF CHARACTERISTICS

Frequency range : **0 - 40 GHz**
 Impedance : **50 Ohms**

| Frequency (GHz) | DC - 6 | 6 - 12.4 | 12.4 - 18 | 18 - 26.5 | 26.5 - 40 |
|--------------------|----------------|----------------|----------------|----------------|----------------|
| VSWR max | 1.30 | 1.40 | 1.50 | 1.70 | 1.90 |
| Insertion loss max | 0.30 dB | 0.40 dB | 0.50 dB | 0.70 dB | 0.80 dB |
| Isolation min | 70 dB | 60 dB | 60 dB | 55 dB | 50 dB |
| Average power (*) | 80 W | 60 W | 50 W | 20 W | 10 W |

ELECTRICAL CHARACTERISTICS

Actuator : **LATCHING**
 Nominal current ** : **160 mA**
 Actuator voltage (Vcc) : **28V (24 to 30V)**
 Terminals : **solder pins (250°C max. / 30 sec.)**
 Indicator rating : **1 W / 30 V / 100 mA**
 Self cut-off time : **40 ms < CT < 120 ms**
 TTL inputs (E) - High level : **2.2 to 5.5 V / 800µA at 5.5 V**
 - Low level : **0 to 0.8 V / 20µA at 0.8 V**

MECHANICAL CHARACTERISTICS

Connectors : **SMA 2.9 female per MIL-C 39012**
 Life : **10 million cycles**
 Switching Time*** : **< 10 ms**
 Construction : **Splashproof**
 Weight : **< 100 g**

ENVIRONMENTAL CHARACTERISTICS

Operating temperature range : **-40°C to +85°C**
 Storage temperature range : **-55°C to +85°C**

(* Average power at 25°C per RF Path)

(** At 25° C ±10%)

(*** Nominal voltage ; 25° C)



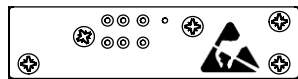
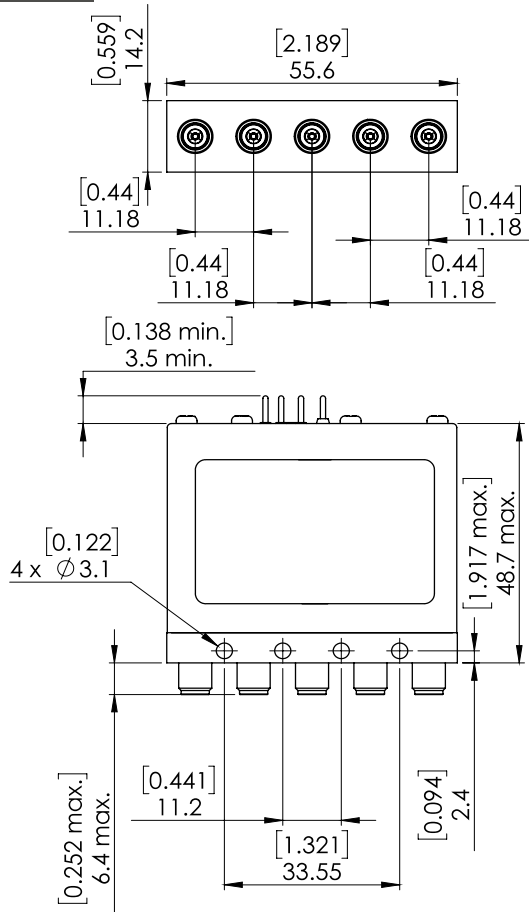
PAGE 2/2

ISSUE 09-03-21

SERIE : DP3T

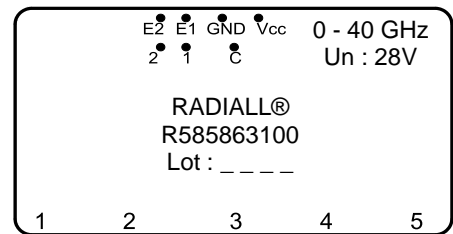
PART NUMBER : R585863100

DRAWING

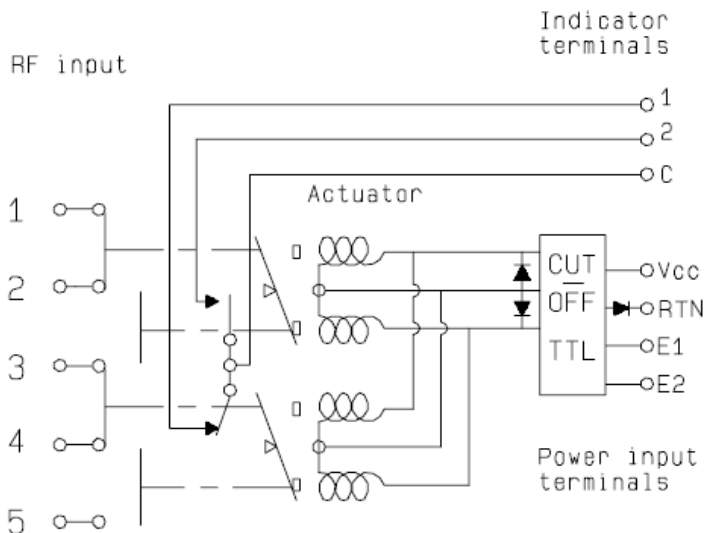


General tolerances : ±0,5 mm [0,02 in]

LABEL



SCHEMATIC DIAGRAM



| TTL input | RF Continuity | Ind. |
|-------------|---------------|-------|
| E1=1 / E2=0 | 1 ↔ 2 / 3 ↔ 4 | C . 1 |
| E1=0 / E2=1 | 2 ↔ 3 / 4 ↔ 5 | C . 2 |
| E1=0 / E2=0 | Memory | - |
| E1=1 / E2=1 | Forbidden | - |