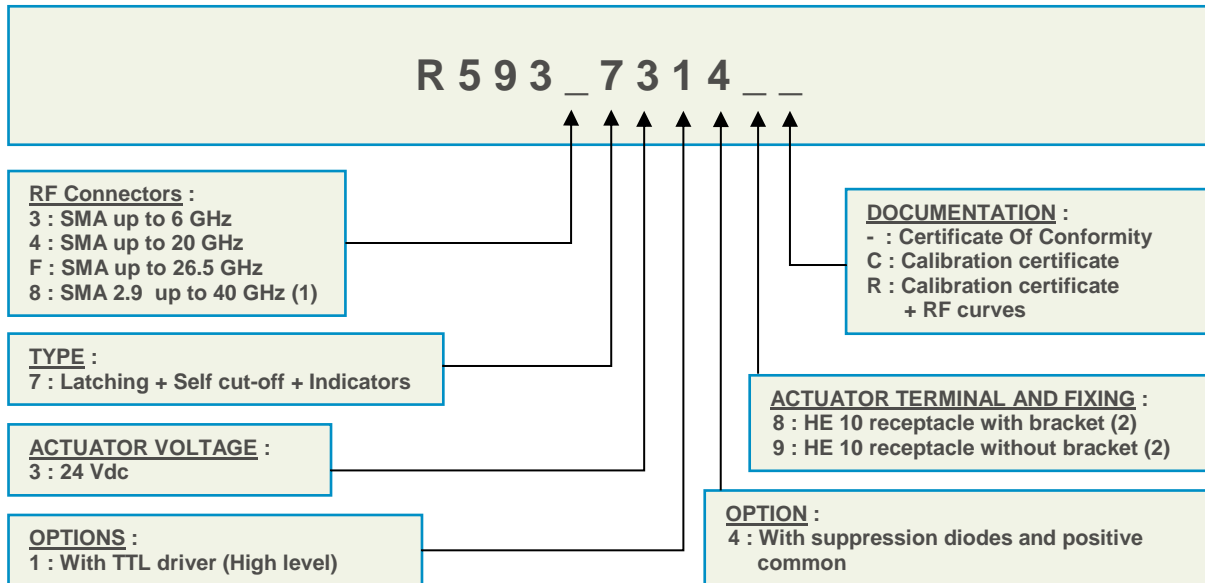


### DPDT Coaxial Switches DC to 6 GHz, DC to 20 GHz, DC to 26.5 GHz, DC to 40 GHz

Radiall's PLATINUM SERIES switches are optimised to perform at a high level over an extended life span. With outstanding RF performances, and a guaranteed Insertion Loss repeatability of 0.03 dB over a life span of 10 million switching cycles. PLATINUM SERIES switches are perfect for automated test and measurement equipment, as well as signal monitoring devices.

#### PART NUMBER SELECTION



- (1) Connector SMA2.9 is equivalent to "K Connector<sup>®</sup>", registered trademark of Anritsu
- (2) Delivered with 750 mm (30 inches) ribbon cable + HE10 connector

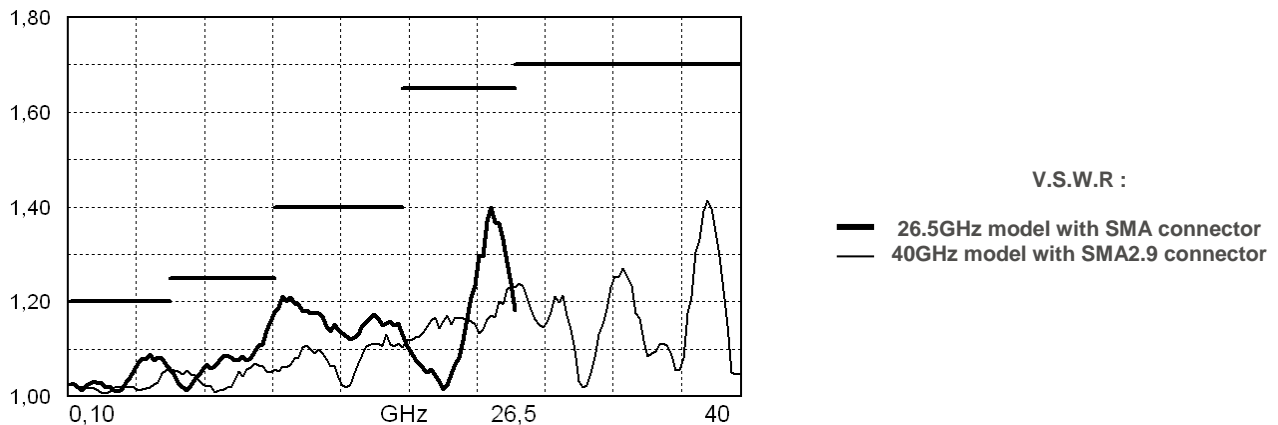
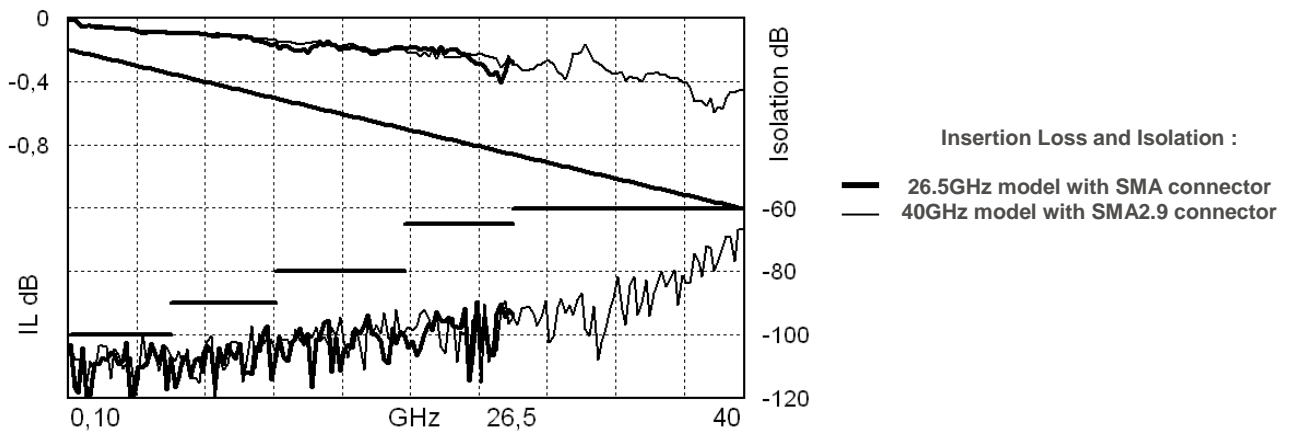
#### PICTURE



### RF PERFORMANCES

PART NUMBER	R59337314-	R59347314-	R593F7314-	R59387314-
Frequency Range GHz	DC to 6	DC to 20	DC to 26.5	DC to 40
Impedance Ohms	50			
Insertion Loss dB (Maximum)	0.2 + 0.025 x frequency (GHz)			
Isolation dB (Minimum)	100	DC to 6 GHz : 100 6 to 12.4 GHz : 90 12.4 to 20 GHz : 80	DC to 6 GHz : 100 6 to 12.4 GHz : 90 12.4 to 20 GHz : 80 20 to 26.5 GHz : 65	DC to 6 GHz : 100 6 to 12.4 GHz : 90 12.4 to 20 GHz : 80 20 to 26.5 GHz : 65 26.5 to 40 GHz : 60
V.S.W.R. (Maximum)	1.20	DC to 6 GHz : 1.20 6 to 12.4 GHz : 1.25 12.4 to 18 GHz : 1.40 18 to 20 GHz : 1.65	DC to 6 GHz : 1.20 6 to 12.4 GHz : 1.25 12.4 to 18 GHz : 1.40 18 to 26.5 GHz : 1.65	DC to 6 GHz : 1.20 6 to 12.4 GHz : 1.25 12.4 to 18 GHz : 1.40 18 to 26.5 GHz : 1.65 26.5 to 40 GHz : 1.70
Third order Inter Modulation	-120 dBc typical (2 carriers 20W)			
Repeatability (measured at 25°C)	0.03 dB			0.05 dB

### TYPICAL RF PERFORMANCES



ADDITIONAL SPECIFICATIONS

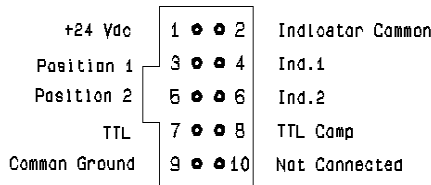
<b>Operating mode</b>		<b>Latching</b>	
<b>Nominal operating voltage (Vdc)</b> (across operating temperature)		<b>24 (20 / 32)</b>	
<b>Coil resistance (+/-10%) (Ohms)</b>		120	
<b>Nominal operating current at 23°C (mA)</b>		200	
<b>Maximum stand-by current (mA)</b>		50	
<b>Average power</b>		RF path	Cold switching : see Power Rating Chart on page 6 Hot switching : 1 Watt CW
<b>TTL input</b>	High Level	3 to 7 V	1.4 mA max at 7V
	Low Level	0 to 0.8 V	
<b>Indicator specifications</b>		Maximum withstanding voltage : 60V Maximum current capacity : 150 mA Maximum « ON » resistance : 2.5 Ω Minimum « OFF » resistance : 100 MΩ	
<b>Switching time max (ms)</b>		15	
<b>Life min for</b>	SMA	10 million cycles	
	SMA 2.9	5 million cycles	
<b>Connectors</b>		SMA – SMA 2.9	
<b>Actuator terminal</b>		HE10 ribbon receptacle	
<b>Weight max (g)</b>		110	

ENVIRONMENTAL SPECIFICATIONS

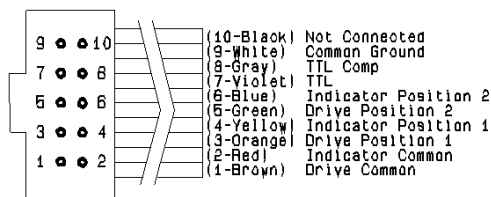
<b>Operating temperature range (°C)</b>	-25 to +75
<b>Storage temperature range (°C)</b>	-55 to +85
<b>Temperature cycling (MIL-STD-202 , Method 107D , Cond.A) (°C)</b>	-55 to +85 (10 cycles)
<b>Vibration (MIL STD 202 , Method 204D , Cond.D)</b>	10-2000 Hz , 10g operating
<b>Shock (MIL STD 202 , Method 213B , Cond.C)</b>	50g / 6 ms , ½ sine operating
<b>Moisture resistance (MIL STD 202 , Method 106E , Cond.E)</b>	65°C, 95% RH, 10 days
<b>Altitude storage (MIL STD 202 , Method 105C , Cond.B)</b>	50,000 feet (15,240 meters)
<b>RFI (MIL STD 1344 , Method 3008 or IEC 61726)</b>	40dB at 20GHz

### DRIVING THE SWITCH

There is two positions for a transfer switch. Each RF path can be closed by applying Ground or TTL "High" to the corresponding "drive" pin.

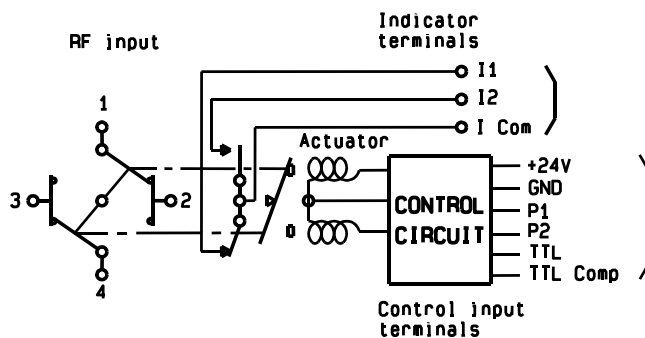


Switch connector



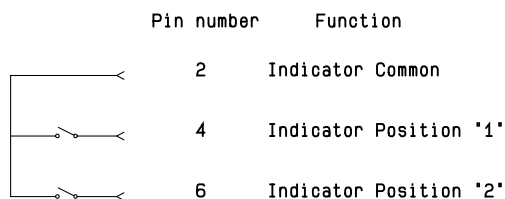
Mating cable connector

### SCHEMATIC DIAGRAM



	RF continuity	Indicator
Position 1	1-2 / 3-4	ICom – I1
Position 2	1-3 / 2-4	ICom – I2

### ELECTRONIC POSITION INDICATORS



#### Standard drive

- Connect pin 9 to ground (See note 1).
- Connect pin 1 to supply (+20 VDC to +32 VDC)
- Select (close) desired RF paths by applying Ground to the corresponding "drive" pin (Ex: apply Ground to pin 3 to close RF path 1-2 and 3-4).
- To select the second path, ensure that unwanted RF path "drive" pins are disconnected from Ground. Apply Ground to the "drive" pin which corresponds to the desired RF paths (Ex: apply Ground to pin 5 to close RF path 1-3 and 2-4).

#### TTL drive (Dual line)

- Connect pin 9 to ground.
- Connect pin 1 to supply (+20 VDC to +32 VDC)
- Select (close) desired RF path by applying TTL "High" to the corresponding "drive" pin (Ex: apply TTL "High" to pin 7 and TTL "Low" to pin 8 to close RF paths position 1).
- To select the second path, ensure that unwanted RF path "drive" pins are in TTL "Low" position. Apply TTL "High" to the "drive" pin which correspond to the desired RF path and TTL "low" to the undesired. (Ex: apply TTL "High" to pin 8 and TTL "Low" to pin 7 to close RF paths position 2).

#### TTL drive (Single line)

- Connect pin 9 to ground.
- Connect pin 1 to supply (+20 VDC to +32 VDC)
- Connect pin 8 to TTL "High".
- Select (close) position 1 by applying TTL "High" to pin 7 (Ex: apply TTL "High" to pin 7 to close RF paths 1-2 and 3-4).
- Select position 2 by applying TTL "Low" to pin 7 (Ex: apply TTL "Low" to pin 7 to close RF paths 1-3 and 2-4).

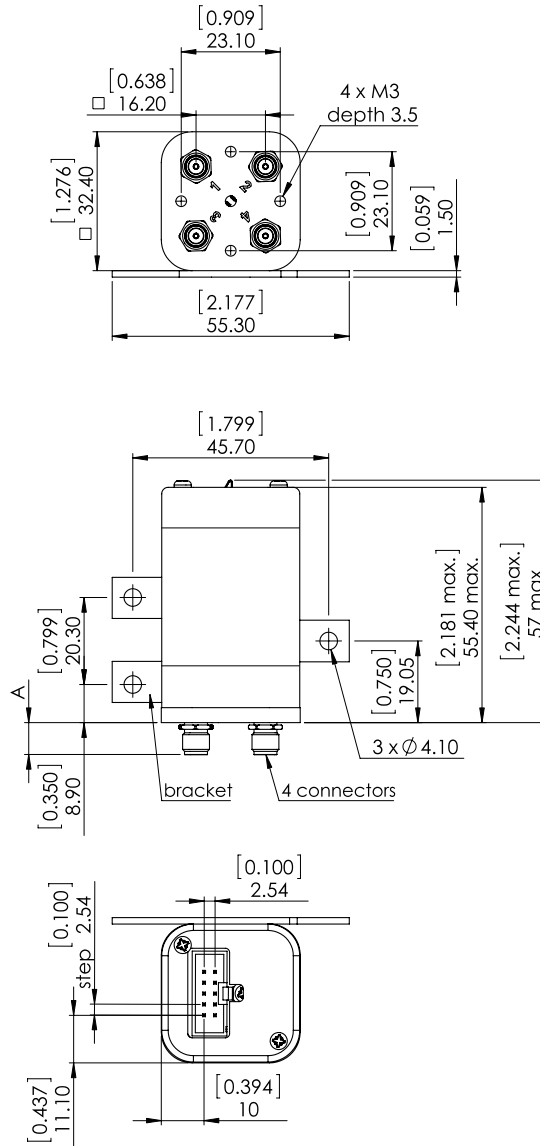
#### Note 1

Pin 9 does not need to be grounded for the switch to operate in standard drive. If pin 9 is not grounded, the position indicators will only function while the appropriate drive has applied. Therefore, if a pulse drive is used and continuous indicator operation is required, pin 9 must be grounded.

The electronic position indicators utilise photo-MOS transistors which are driven by the mechanical position of the RF paths moving elements. The circuitry consists of a common which can be connected to an output corresponding to selected RF path. The photo-MOS transistors are configured for AC and/or DC operation. The electronic position indicators require the supply (20 to 32 VDC) to be connected to pin 1 and ground connected to pin 9.

TYPICAL OUTLINE DRAWING

**SMA or SMA 2.9 Connectors**



All dimensions are in millimetres [inches].  
 General tolerances: ±0.5 mm [0.02 in]

Connectors	SMA	SMA2.9
A max (mm / inches)	7.7 / 0.303	6.7 / 0.264