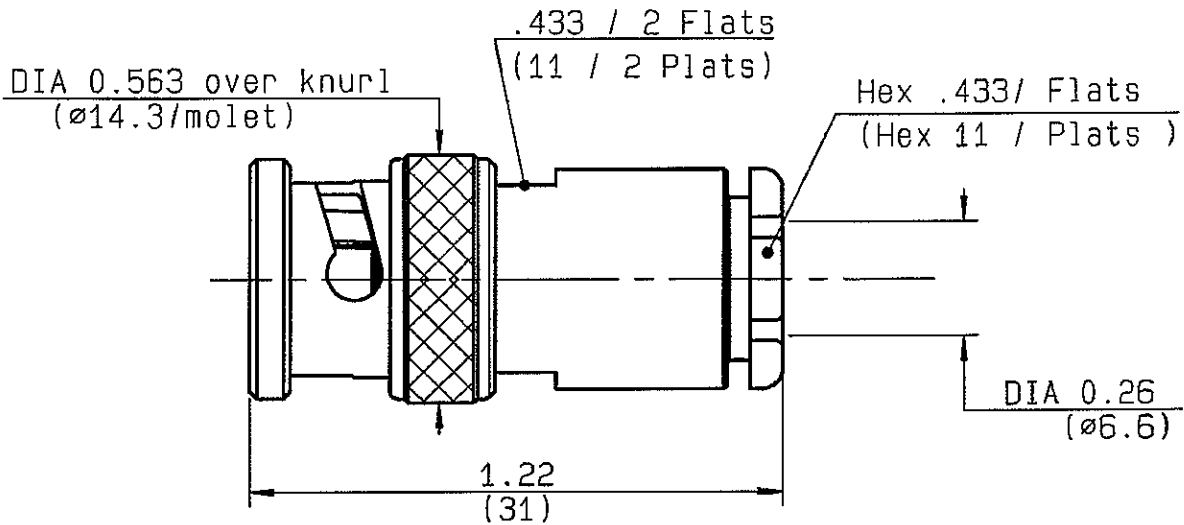


**STRAIGHT PLUG CLAMP TYPE
FOR ARMOUR TWIN AXIS DIA 6 CABLE**

R605.006.000
SERIES BR2



NOMINAL IMPEDANCE	80 Ω	CABLES : FM 2
FREQUENCY RANGE	0-0.5 GHz	
TEMPERATURE RATING	-40/+100 °C	
V.S.W.R	NA + x F(GHz)Maxi	
RF INSERTION LOSS	\sqrt{F} (GHz) dB Maxi	
VOLTAGE RATING	TBD Veff Maxi	
DIELECTRIC WITHSTANDING VOLTAGE	1500 Veff Mini	
INSULATION RESISTANCE	5000 MΩMini	OTHERS CHARACTERISTICS
HERMETIC SEAL	Atm.cm ³ /s	CABLE RETENTION 91 N Mini
LEAKAGE (pressurized only)		CENTER CONTACT RETENTION
MECHANICAL DURABILITY	Cycles	Axial force - mating end 27 N Mini
WEIGHT	gr	Axial force - opposite end 27 N Mini
SPECIFICATION		Torque cm.N Mini
		RECOMMENDED TORQUES
		Mating cm.N
		Panel nut cm.N
		Clamp nut 450 cm.N

CONNECTOR PARTS	MATERIALS	FINISH	(all values are given in micrometers)
BODY	BRASS	NICKEL 2	
OUTER CONTACT	BRASS	NICKEL 2	
CENTER CONTACT	BRASS	SILVER .	
INSULATOR	POLYAMIDES 11	-	
GASKET		-	
OTHERS PIECES			

ISSUE 0603C	CREATION DATE 20/11/1977	FILE PART-NUMBER
-----------------------	------------------------------------	------------------



GUERIN

The information given here is subject to change without notice.
Design changes may be in order to improve the product.

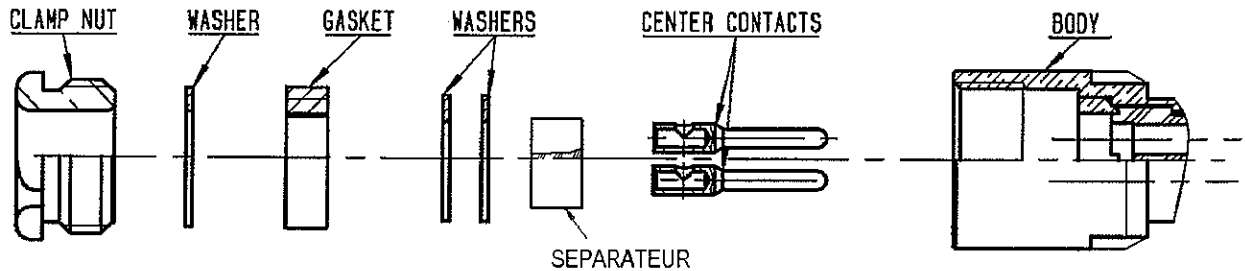
Connect to the future



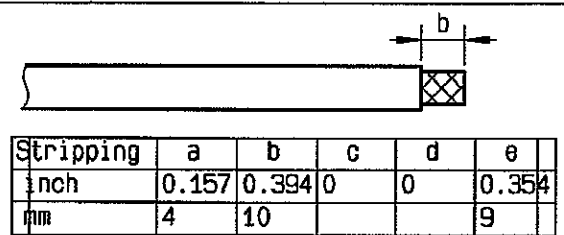
R605.006.000

ISSUE 0603C

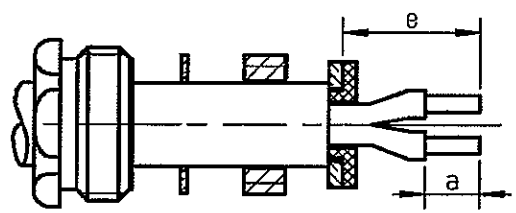
SERIES BR2



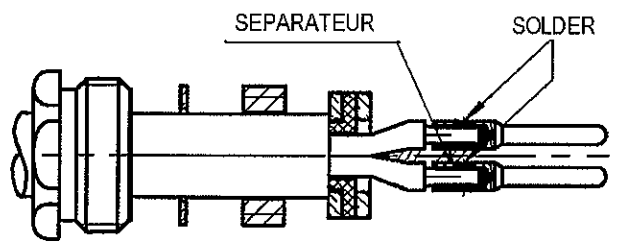
① Strip the cable .
-



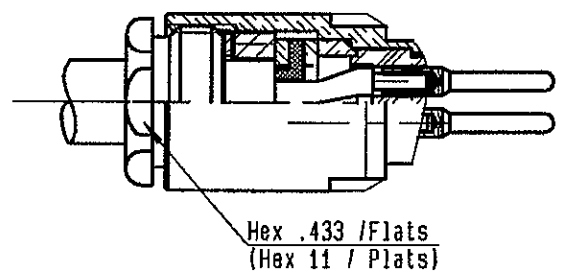
② Slide the clamp nut, the washer and the gasket onto the cable .
Slide a small washer onto the braid against the jacket.
Fan the braid and cut excess flush to the washer.
Strip the cable dielectric according to dimensions a and e.



③ Slide the second small washer onto the cable and the separateur
Solder center contacts onto cable inner conductors.
-



④ Slide the assembly into the connector body.
Screw the assembly into the connector.
(recommended coupling torque :450 N.cm)
39.82 in.lb



GUERIN