

# Coaxial Twin Connectors BR2 series

FOR SCREENED TWIN CABLES



## GENERAL CHARACTERISTICS

- Bayonet lock coupling with polarisation
- Materials : all metal parts under stress in beryllium copper  
other metal parts : brass  
insulators : polyamide and diallyphtalate  
gaskets : neoprene
- Plating : N.S.R. ★<sup>®</sup>
- Temperature range : - 40 + 100° C

F. 0-0.5 GHz

## ELECTRICAL CHARACTERISTICS

- Dielectric withstanding voltage
 

between pins	1.500 volts RMS, 50 Hz
between pins and body	
- Maximum intensity : 3.5 Amp.
- Insulation resistance
 

between pins	> 10 <sup>5</sup> MΩ
between pins and body	
- Contact resistance : < 1 mΩ at 1 Amp.
- Capacity at 1 MHz
 

between pins	< 1.3 pF
between pins and body	< 3.2 pF

## COAXIAL CABLES SUITABLE FOR BR 2 CONNECTORS

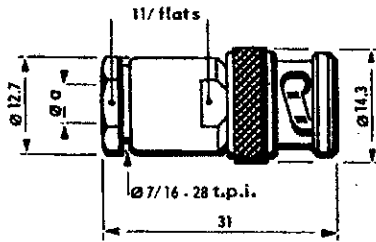
MAX EXT. DIA	CENTRAL CONDUCTOR Ø	ELEMENT Ø	BRAID Ø	SHEATH
4	1.1	1.3	3.9	4.5
5	1.1	2.2	3.9	5.5
6	1.1	2.2	5.2	6.4

# BR2 series

⊗ Dimensions of plates

★ Cable mounting

## plugs



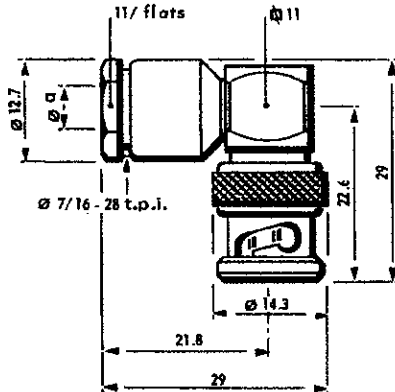
### STRAIGHT PLUGS

CODE R. 605 004

CODE R. 605 005

CODE R. 605 006

EXT. DIA. OF CABLE	MAX. EXT. DIA. OF CABLE : a	CABLE ASSEMBLY	WEIGHT g.
4	4.5	A	18.5
5	5.5	A	18
6	6.4	A	17.5



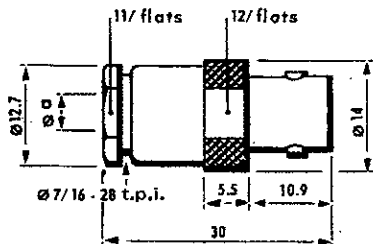
### RIGHT ANGLE PLUGS

CODE R. 605 154

CODE R. 605 155

CODE R. 605 156

4	4.5	A	25
5	5.5	A	24
6	6.4	A	23



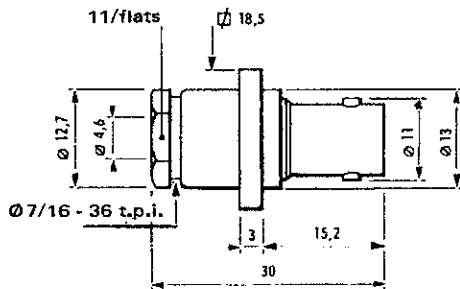
### STRAIGHT JACKS

CODE R. 605 204

CODE R. 605 205

CODE R. 605 206

4	4.5	A	7
5	5.5	A	16,5
6	6.4	A	16

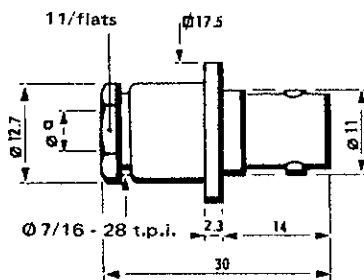


### ⊗ STRAIGHT JACK WITH INSULATED PLATE

CODE R. 605 253

Plate type : B

4	4.5	A	
---	-----	---	--



### ⊗ STRAIGHT JACKS WITH PLATE

CODE R. 605 254

CODE R. 605 255

CODE R. 605 256

Panel piercing : a1 or a2

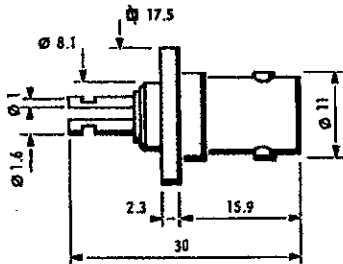
Plate type : A

4	4.5	A	17
5	5.5	A	17.5
6	6.4	A	18

## jacks

# BR2 series receptacles

⊗ Dimensions of plate

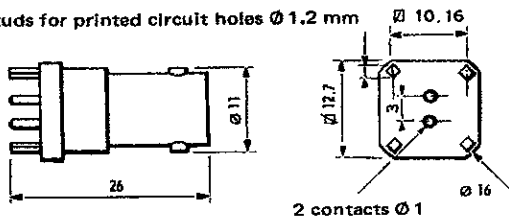


## RECEPTACLE WITH PLATE

CODE R. 605 400

PANEL PIERCING	WEIGHT g.
a1 or a6	10

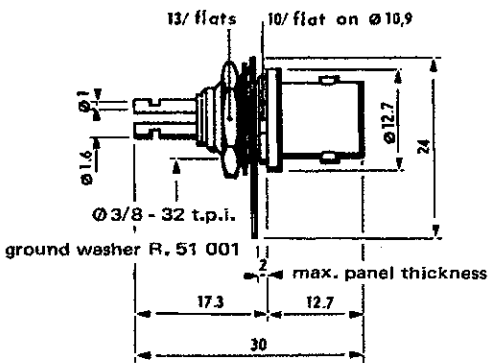
4 studs for printed circuit holes  $\varnothing 1.2$  mm



## PRINTED CIRCUIT RECEPTACLE

CODE R. 605 440

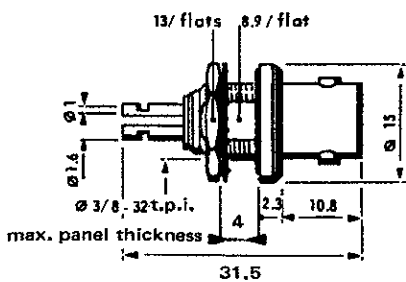
On special order only



## BULKHEAD RECEPTACLE

CODE R. 605 550

e4 10

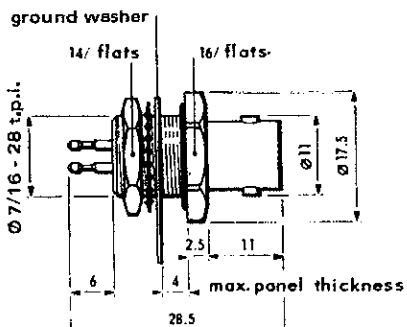


## BULKHEAD RECEPTACLE

Weatherproof

CODE R. 605 600

e6 10.5



## HERMETICALLY SEALED BULKHEAD RECEPTACLE

Glass sealed

CODE R. 605 610

smooth  
hole  
 $\varnothing 11.1$