

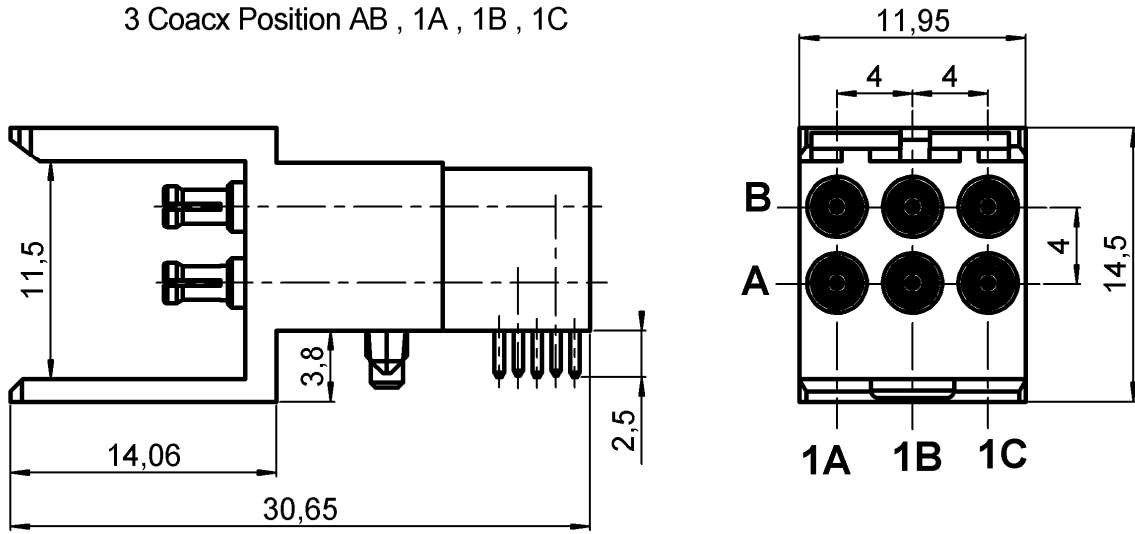
R/A MALE MODULE 6 SOLDER TYPE INSERTS

R694.251.117

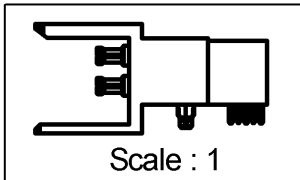
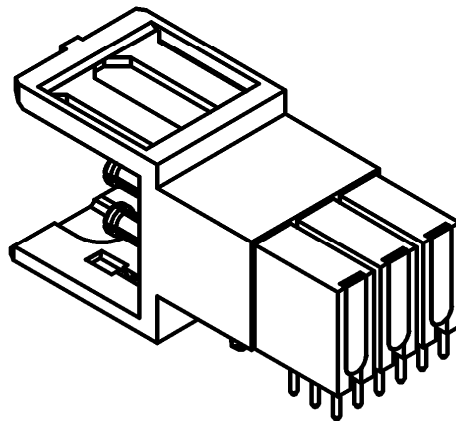
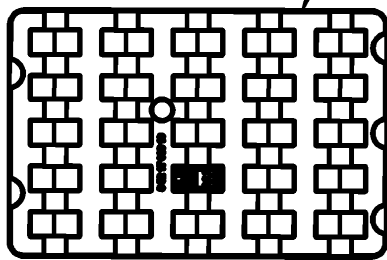
2.5MM FOR PCB

Series : MCC2

3 Coax Position AB , 1A , 1B , 1C

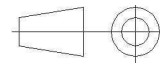


Connectors' packaging



Scale : 1

All dimensions are in mm.



COMPONENTS	MATERIALS	PLATING (µm)
BODY	BRASS	NICKEL 2
CENTER CONTACT	BERYLLIUM COPPER	NPGR
OUTER CONTACT	BRONZE	NPGR
INSULATOR	PEEK , ULTEM	
GASKET	-	
OTHERS PARTS	LIQUID CRYSTAL POLYMER	
.	.	.
.	.	.

Issue : 0818 B

In the effort to improve our products, we reserve the right to make changes judged to be necessary.



R/A MALE MODULE 6 SOLDER TYPE INSERTS

R694.251.117

2.5MM FOR PCB

Series : **MCC2**

PACKAGING

SPECIFICATION

Standard	Unit	Other
25	'W' option	Contact us

ELECTRICAL CHARACTERISTICS

ENVIRONMENTAL

Impedance	50	Ω
Frequency	0-6	GHz
VSWR	1.20* + 0,0000	x F(GHz) Maxi
Insertion loss	0.2	\sqrt{F} (GHz) dB Maxi
RF leakage	- (- F(GHz)) dB Maxi
Voltage rating	500	Veff Maxi
Dielectric withstanding voltage	750	Veff mini
Insulation resistance	5000	M Ω mini

Operating temperature	-25/+125	$^{\circ}$ C
Hermetic seal	NA	Atm.cm3/s
Panel leakage	NA	

OTHER CHARACTERISTICS

Assembly instruction

Others :
VSWR optimized between DC to 3GHz

MECHANICAL CHARACTERISTICS

Center contact retention		
Axial force – Mating end	6	N mini
Axial force – Opposite end	6	N mini
Torque	NA	N.cm mini
Recommended torque		
Mating	NA	N.cm
Panel nut	NA	N.cm
Mating life	500	Cycles mini
Weight	83,5100	g

Issue : 0818 B

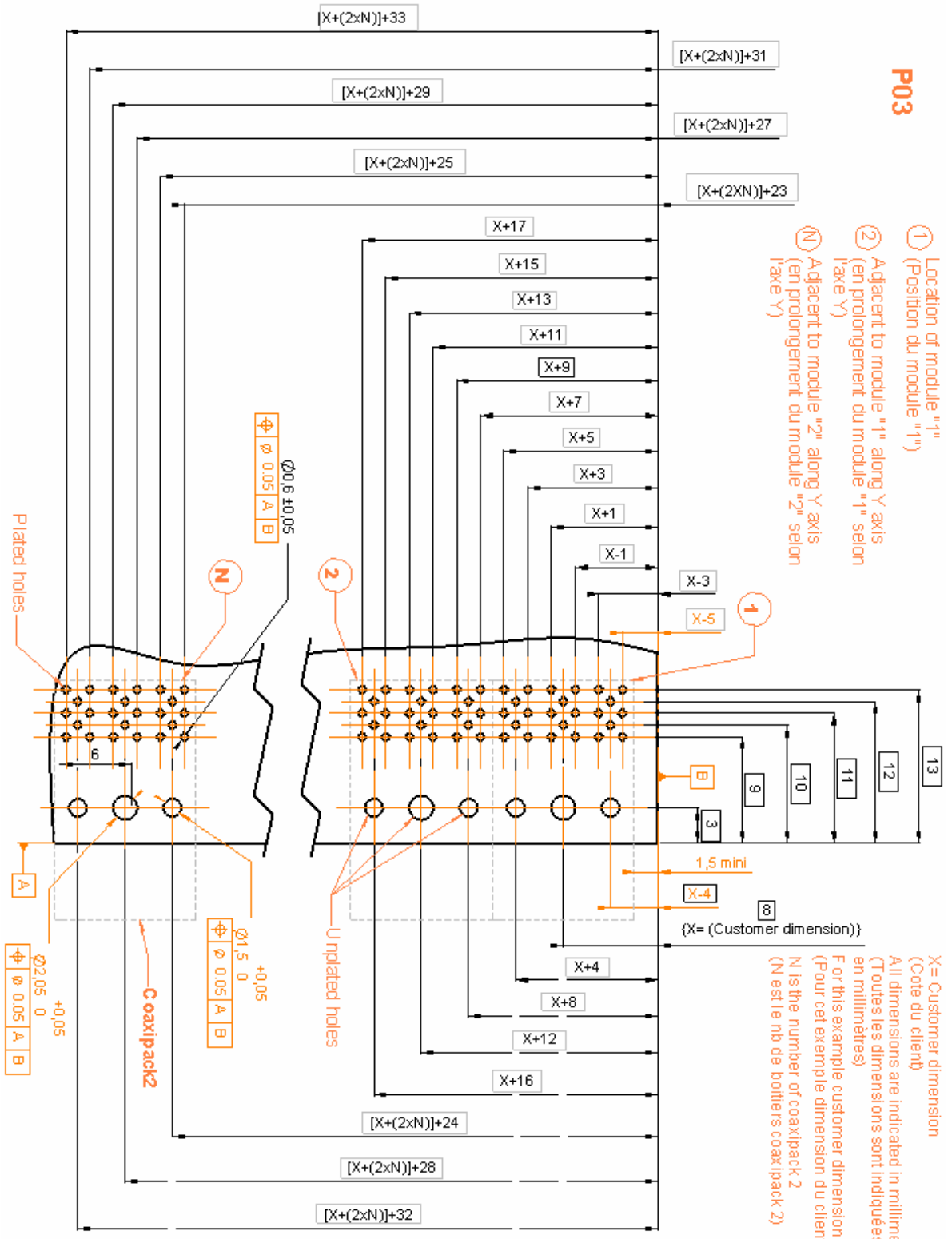
In the effort to improve our products, we reserve the right to make changes judged to be necessary.



R/A MALE MODULE 6 SOLDER TYPE INSERTS
2.5MM FOR PCB

R694.251.117

Series : MCC2



Issue : 0818 B

In the effort to improve our products, we reserve the right to make changes judged to be necessary.

