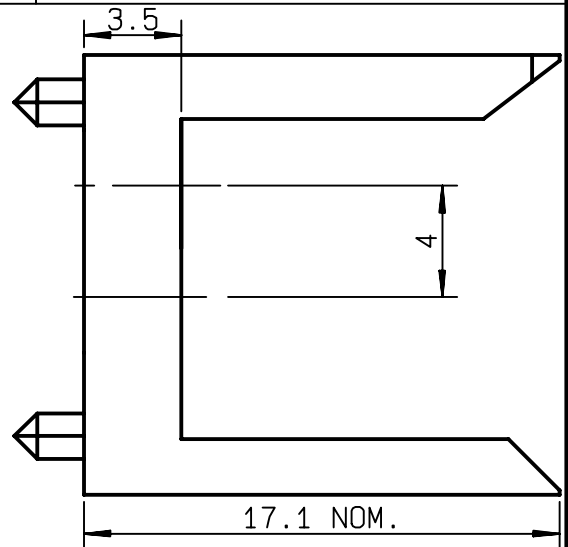
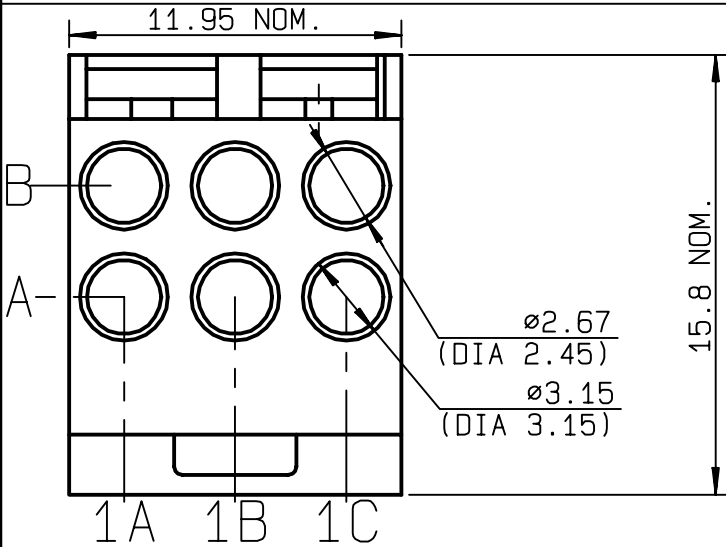


**STRAIGHT MALE HOUSING
FOR REMOVABLE INSERTS**

R694.261.906
SERIES MCC2



NOMINAL IMPEDANCE	NA Ω
FREQUENCY RANGE	NA GHz
TEMPERATURE RATING	-25/+125 °C
V.S.W.R	NA + x F(GHz)Maxi
RF INSERTION LOSS	NA \sqrt{F} (GHz) dB Maxi
VOLTAGE RATING	NA Veff Maxi
DIELECTRIC WITHSTANDING VOLTAGE	NA Veff Mini
INSULATION RESISTANCE	NA M Ω Mini
HERMETIC SEAL	MA Atm.cm ³ /s
LEAKAGE (pressurized only)	NA
MECHANICAL DURABILITY	Cycles
WEIGHT	1.22 gr
SPECIFICATION	

CABLES :	
OTHERS CHARACTERISTICS	
CABLE RETENTION	NA N Mini
CENTER CONTACT RETENTION	
Axial force - mating end	NA N Mini
Axial force - opposite end	NA N Mini
Torque	NA cm.N Mini
RECOMMENDED TORQUES	
Mating	NA cm.N
Panel nut	NA cm.N
Clamp nut	NA cm.N

CONNECTOR PARTS:	MATERIALS	FINISH	(all values are given) in micrometers
BODY			
OUTER CONTACT			
CENTER CONTACT			
INSULATOR			
GASKET			
OTHERS PIECES	LIQUID CRISTAL POLYMER		

ISSUE	CREATION DATE	FILE PART-NUMBER
0234A00	27/01/1997	



RADIALL®

Connect to the future

The information given here is subject to change without notice.
Design changes may be in order to improve the product .

BAFFERT