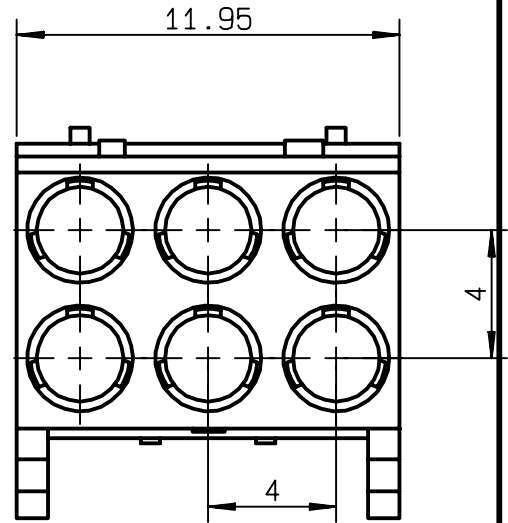
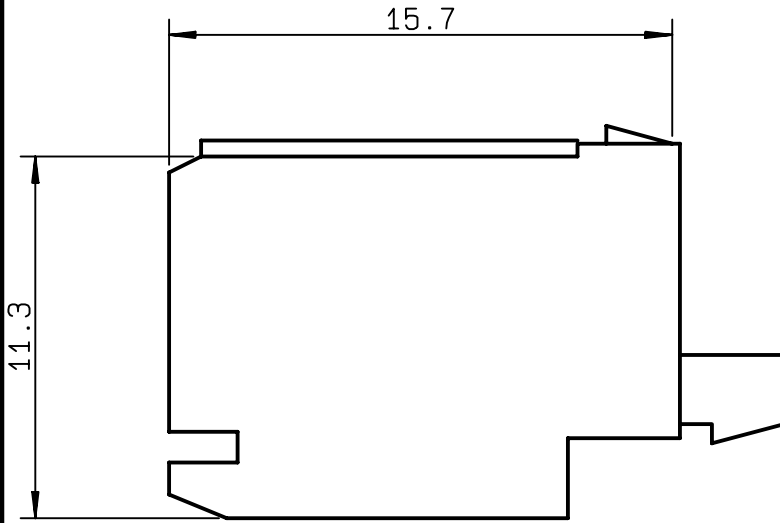


**STRAIGHT FEMALE HOUSING  
FOR CABLE ASSEMBLY**

**R694.262.056**  
**SERIES MCC2**



NOMINAL IMPEDANCE	<b>NA</b>	$\Omega$
FREQUENCY RANGE	<b>NA</b>	GHz
TEMPERATURE RATING	<b>-25/+125</b>	$^{\circ}\text{C}$
V.S.W.R	<b>NA</b> +	<b>0</b> x F(GHz)Maxi
RF INSERTION LOSS	<b>NA</b>	$\sqrt{F}$ (GHz) dB Maxi
VOLTAGE RATING	<b>NA</b>	Veff Maxi
DIELECTRIC WITHSTANDING VOLTAGE	<b>NA</b>	Veff Mini
INSULATION RESISTANCE	<b>NA</b>	M $\Omega$ Mini
HERMETIC SEAL	<b>NA</b>	Atm.cm <sup>3</sup> /s
LEAKAGE (pressurized only)	<b>NA</b>	
MECHANICAL DURABILITY		Cycles
WEIGHT	<b>1.7</b>	gr
SPECIFICATION		

CABLES :	
OTHERS CHARACTERISTICS	
CABLE RETENTION	<b>NA</b> N Mini
CENTER CONTACT RETENTION	
Axial force - mating end	<b>NA</b> N Mini
Axial force - opposite end	<b>NA</b> N Mini
Torque	<b>NA</b> cm.N Mini
RECOMMENDED TORQUES	
Mating	<b>NA</b> cm.N
Panel nut	<b>NA</b> cm.N
Clamp nut	<b>NA</b> cm.N

CONNECTOR PARTS:	MATERIALS	FINISH	(all values are given ) in micrometers
BODY			
OUTER CONTACT			
CENTER CONTACT			
INSULATOR			
GASKET			
OTHERS PIECES	LIQUID CRISTAL POLYMER		

ISSUE	CREATION DATE	FILE PART-NUMBER
<b>0234B00</b>	<b>06/10/1995</b>	



**RADIALL**®

BAFFERT

The information given here is subject to change without notice.  
Design changes may be in order to improve the product .

*Connect to the future*