

S3A6 Microcontroller Group

User's Manual

Renesas Synergy™ Platform

Synergy Microcontrollers

S3 Series

All information contained in these materials, including products and product specifications, represents information on the product at the time of publication and is subject to change by Renesas Electronics Corp. without notice. Please review the latest information published by Renesas Electronics Corp. through various means, including the Renesas Electronics Corp. website (<http://www.renesas.com>).

Notice

1. Descriptions of circuits, software and other related information in this document are provided only to illustrate the operation of semiconductor products and application examples. You are fully responsible for the incorporation or any other use of the circuits, software, and information in the design of your product or system. Renesas Electronics disclaims any and all liability for any losses and damages incurred by you or third parties arising from the use of these circuits, software, or information.
 2. Renesas Electronics hereby expressly disclaims any warranties against and liability for infringement or any other claims involving patents, copyrights, or other intellectual property rights of third parties, by or arising from the use of Renesas Electronics products or technical information described in this document, including but not limited to, the product data, drawings, charts, programs, algorithms, and application examples.
 3. No license, express, implied or otherwise, is granted hereby under any patents, copyrights or other intellectual property rights of Renesas Electronics or others.
 4. You shall not alter, modify, copy, or reverse engineer any Renesas Electronics product, whether in whole or in part. Renesas Electronics disclaims any and all liability for any losses or damages incurred by you or third parties arising from such alteration, modification, copying or reverse engineering.
 5. Renesas Electronics products are classified according to the following two quality grades: "Standard" and "High Quality". The intended applications for each Renesas Electronics product depends on the product's quality grade, as indicated below.

"Standard": Computers; office equipment; communications equipment; test and measurement equipment; audio and visual equipment; home electronic appliances; machine tools; personal electronic equipment; industrial robots; etc.

"High Quality": Transportation equipment (automobiles, trains, ships, etc.); traffic control (traffic lights); large-scale communication equipment; key financial terminal systems; safety control equipment; etc.

Unless expressly designated as a high reliability product or a product for harsh environments in a Renesas Electronics data sheet or other Renesas Electronics document, Renesas Electronics products are not intended or authorized for use in products or systems that may pose a direct threat to human life or bodily injury (artificial life support devices or systems; surgical implantations; etc.), or may cause serious property damage (space system; undersea repeaters; nuclear power control systems; aircraft control systems; key plant systems; military equipment; etc.). Renesas Electronics disclaims any and all liability for any damages or losses incurred by you or any third parties arising from the use of any Renesas Electronics product that is inconsistent with any Renesas Electronics data sheet, user's manual or other Renesas Electronics document.
 6. When using Renesas Electronics products, refer to the latest product information (data sheets, user's manuals, application notes, "General Notes for Handling and Using Semiconductor Devices" in the reliability handbook, etc.), and ensure that usage conditions are within the ranges specified by Renesas Electronics with respect to maximum ratings, operating power supply voltage range, heat dissipation characteristics, installation, etc. Renesas Electronics disclaims any and all liability for any malfunctions, failure or accident arising out of the use of Renesas Electronics products outside of such specified ranges.
 7. Although Renesas Electronics endeavors to improve the quality and reliability of Renesas Electronics products, semiconductor products have specific characteristics, such as the occurrence of failure at a certain rate and malfunctions under certain use conditions. Unless designated as a high reliability product or a product for harsh environments in a Renesas Electronics data sheet or other Renesas Electronics document, Renesas Electronics products are not subject to radiation resistance design. You are responsible for implementing safety measures to guard against the possibility of bodily injury, injury or damage caused by fire, and/or danger to the public in the event of a failure or malfunction of Renesas Electronics products, such as safety design for hardware and software, including but not limited to redundancy, fire control and malfunction prevention, appropriate treatment for aging degradation or any other appropriate measures. Because the evaluation of microcomputer software alone is very difficult and impractical, you are responsible for evaluating the safety of the final products or systems manufactured by you.
 8. Please contact a Renesas Electronics sales office for details as to environmental matters such as the environmental compatibility of each Renesas Electronics product. You are responsible for carefully and sufficiently investigating applicable laws and regulations that regulate the inclusion or use of controlled substances, including without limitation, the EU RoHS Directive, and using Renesas Electronics products in compliance with all these applicable laws and regulations. Renesas Electronics disclaims any and all liability for damages or losses occurring as a result of your noncompliance with applicable laws and regulations.
 9. Renesas Electronics products and technologies shall not be used for or incorporated into any products or systems whose manufacture, use, or sale is prohibited under any applicable domestic or foreign laws or regulations. You shall comply with any applicable export control laws and regulations promulgated and administered by the governments of any countries asserting jurisdiction over the parties or transactions.
 10. It is the responsibility of the buyer or distributor of Renesas Electronics products, or any other party who distributes, disposes of, or otherwise sells or transfers the product to a third party, to notify such third party in advance of the contents and conditions set forth in this document.
 11. This document shall not be reprinted, reproduced or duplicated in any form, in whole or in part, without prior written consent of Renesas Electronics.
 12. Please contact a Renesas Electronics sales office if you have any questions regarding the information contained in this document or Renesas Electronics products.
- (Note 1) "Renesas Electronics" as used in this document means Renesas Electronics Corporation and also includes its directly or indirectly controlled subsidiaries.
- (Note 2) "Renesas Electronics product(s)" means any product developed or manufactured by or for Renesas Electronics.

General Precautions

1. Precaution against Electrostatic Discharge (ESD)

A strong electrical field, when exposed to a CMOS device, can cause destruction of the gate oxide and ultimately degrade the device operation. Steps must be taken to stop the generation of static electricity as much as possible, and quickly dissipate it when it occurs. Environmental control must be adequate. When it is dry, a humidifier should be used. This is recommended to avoid using insulators that can easily build up static electricity. Semiconductor devices must be stored and transported in an anti-static container, static shielding bag or conductive material. All test and measurement tools including work benches and floors must be grounded. The operator must also be grounded using a wrist strap. Semiconductor devices must not be touched with bare hands. Similar precautions must be taken for printed circuit boards with mounted semiconductor devices.

2. Processing at power-on

The state of the product is undefined at the time when power is supplied. The states of internal circuits in the LSI are indeterminate and the states of register settings and pins are undefined at the time when power is supplied. In a finished product where the reset signal is applied to the external reset pin, the states of pins are not guaranteed from the time when power is supplied until the reset process is completed. In a similar way, the states of pins in a product that is reset by an on-chip power-on reset function are not guaranteed from the time when power is supplied until the power reaches the level at which resetting is specified.

3. Input of signal during power-off state

Do not input signals or an I/O pull-up power supply while the device is powered off. The current injection that results from input of such a signal or I/O pull-up power supply may cause malfunction and the abnormal current that passes in the device at this time may cause degradation of internal elements. Follow the guideline for input signal during power-off state as described in your product documentation.

4. Handling of unused pins

Handle unused pins in accordance with the directions given under handling of unused pins in the manual. The input pins of CMOS products are generally in the high-impedance state. In operation with an unused pin in the open-circuit state, extra electromagnetic noise is induced in the vicinity of the LSI, an associated shoot-through current flows internally, and malfunctions occur due to the false recognition of the pin state as an input signal become possible.

5. Clock signals

After applying a reset, only release the reset line after the operating clock signal becomes stable. When switching the clock signal during program execution, wait until the target clock signal is stabilized. When the clock signal is generated with an external resonator or from an external oscillator during a reset, ensure that the reset line is only released after full stabilization of the clock signal. Additionally, when switching to a clock signal produced with an external resonator or by an external oscillator while program execution is in progress, wait until the target clock signal is stable.

6. Voltage application waveform at input pin

Waveform distortion due to input noise or a reflected wave may cause malfunction. If the input of the CMOS device stays in the area between V_{IL} (Max.) and V_{IH} (Min.) due to noise, for example, the device may malfunction. Take care to prevent chattering noise from entering the device when the input level is fixed, and also in the transition period when the input level passes through the area between V_{IL} (Max.) and V_{IH} (Min.).

7. Prohibition of access to reserved addresses

Access to reserved addresses is prohibited. The reserved addresses are provided for possible future expansion of functions. Do not access these addresses as the correct operation of the LSI is not guaranteed.

8. Differences between products

Before changing from one product to another, for example to a product with a different part number, confirm that the change will not lead to problems. The characteristics of a microprocessing unit or microcontroller unit products in the same group but having a different part number might differ in terms of internal memory capacity, layout pattern, and other factors, which can affect the ranges of electrical characteristics, such as characteristic values, operating margins, immunity to noise, and amount of radiated noise. When changing to a product with a different part number, implement a system-evaluation test for the given product.

Preface

1. About this Document

This manual describes the functions and electrical characteristics of the Renesas Synergy™ Microcontroller.

This manual is generally organized into an overview of the product, descriptions of the CPU, system control functions, peripheral functions, electrical characteristics, and usage notes. This manual describes the product specification of the microcontroller (MCU) superset. Depending on your product, some pins, registers, or functions might not exist. Address space that store unavailable registers are reserved.

2. Audience

This manual is written for system designers who are designing and programming applications using the Renesas Synergy Microcontroller. The user is expected to have basic knowledge of electrical circuits, logic circuits, and the MCU.

3. Renesas Publications

Renesas provides the following documents for the Renesas Synergy Microcontroller. Before using any of these documents, visit renesas.com/docs for the most up-to-date version of the document.

| Component | Document type | Description |
|-------------------------|----------------------------------|--------------------------------------------------------------------------------------------------------------------------------------------------------------------------------------------------------------------------------|
| Microcontrollers | Datasheet | Features, overview, and electrical characteristics of the MCU |
| | User's Manual: Microcontrollers | MCU specifications such as pin assignments, memory maps, peripheral functions, electrical characteristics, timing diagrams, and operation descriptions |
| | Application Notes | Technical notes, board design guidelines, and software migration information |
| | Technical Update (TU) | Preliminary reports on product specifications such as restriction and errata |
| Software | Datasheet | Functional descriptions and specific performance data for software modules that are included in Renesas Synergy Software Package (SSP) |
| | User's Manual: Software | API reference including SSP architecture and programming information |
| | Application Notes | Project files, guidelines for software programming, and application examples to develop embedded software applications |
| Tools & Kits, Solutions | User's Manual: Development Tools | User's manual and quick start guide for developing embedded software applications with Development Kit (DK), Starter Kit (SK), Promotion Kit (PK), Target Board Kit (TB), Product Examples (PE), and Application Examples (AE) |
| | User's Manual: Software | |
| | Quick Start Guide | |
| | Application Notes | Project files, guidelines for software programming, and application examples to develop embedded software applications |

4. Numbering Notation

The following numbering notation is used throughout this manual:

| Example | Description |
|---------|--------------------------------------------------------------------------------------------------------------------------------------------------------------------------------------------|
| 011b | Binary number. For example, the binary equivalent of the number 3 is 011b. |
| 1Fh | Hexadecimal number. For example, the hexadecimal equivalent of the number 31 is described 1Fh. In some cases, a hexadecimal number is shown with the prefix 0x, based on C/C++ formatting. |
| 1234 | Decimal number. Decimal numbers are generally shown without a suffix. |

5. Typographic Notation

The following typographic notation is used throughout this manual:

| Example | Description |
|-----------------|--------------------------------------------------------------------------------------------------------------------------------------------------------------------------------------------------------------------------------------------------------------------|
| ICU.NMICR.NMIMD | Periods separate a function module symbol (ICU), register symbol (NMICR), and bit field symbol (NMIMD) |
| ICU.NMICR | A period separates a function module symbol (ICU) and register symbol (NMICR) |
| NMICR.NMIMD | A period separates a register symbol (NMICR) and bit field symbol (NMIMD) |
| NFCLKSEL[1:0] | In a register bit name, the bit range enclosed in square brackets indicates the number of bits in the field at this location. In this example, NFCLKSEL[1:0] represents a 2-bit field at the specified location in the NMI Pin Interrupt Control Register (NMICR). |

6. Unit Prefix

The following unit prefixes are sometimes misleading. Those unit prefixes are described throughout this manual with the following meaning:

| Prefix | Description |
|--------|-------------------------------------------------------------------------------------------------------------------------------------------|
| b | Bit |
| B | Byte. This unit prefix is generally used for memory specification of the MCU and address space. |
| k | $1000 = 10^3$. k is also used to denote 1024 (2^{10}) but this unit prefix is used to denote 1000 (10^3) throughout this manual. |
| K | $1024 = 2^{10}$. This unit prefix is used to denote 1024 (2^{10}) not 1000 (10^3) throughout this manual. |

7. Special Terms

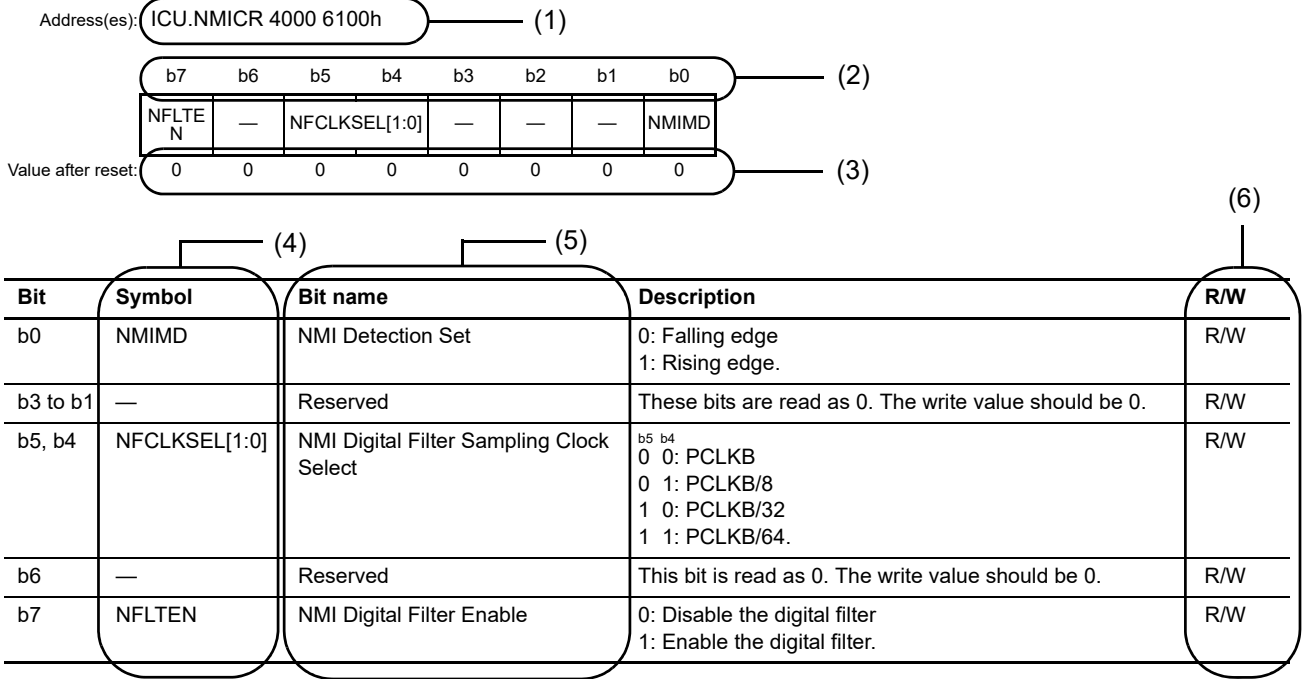
The following terms have special meanings:

| Term | Description |
|------|------------------------------------------------------------------|
| NC | Not connected pin. NC means the pin is not connected to the MCU. |
| Hi-Z | High impedance |

8. Register Description

Each register description includes both a register diagram that shows the bit assignments and a register bit table that describes the content of each bit. The example of symbols used in these tables are described in the sections that follow. The following is an example of a register description and associated bit field definition.

X.X.X NMI Pin Interrupt Control Register (NMICR)



(1) Function module symbol, register symbol, and address assignment

Function module symbol, register symbol, and address assignment of this register are generally expressed. ICU.NMICR 4000 6100h means NMI Pin Interrupt Control Register (NMICR) of Interrupt Controller Unit (ICU) is assigned to address 4000 6100h.

(2) Bit number

This number indicates the bit number. These bits are shown in order from b31 to b0 for a 32-bit register, from b15 to b0 for a 16-bit register, and from b7 to b0 for an 8-bit register.

(3) Value after reset

This symbol or number indicates the value of each bit after a reset. The value is shown in binary unless specified otherwise.

0: Indicates that the value is 0 after a reset.

1: Indicates that the value is 1 after a reset.

x: Indicates that the value is undefined after a reset.

(4) Bit symbol

Bit symbol indicates the short name of the bit field. Reserved bit is expressed with a —.

(5) Bit name

Bit name indicates the full name of the bit field.

(6) R/W

The R/W column indicates access type: whether the bit field is read or write.

R/W: The bit field is read and write.

R/(W): The bit field is read and write. But writing to this bit field has some limitations. For details on the limitations, see the description or notes of respective registers.

R: The bit field is read-only. Writing to this bit field has no effect.

W: The bit field is write-only. The read value is undefined.

9. Abbreviations

Abbreviations used in this manual are shown in the following table:

| Abbreviation | Description |
|--------------|---------------------------------------------|
| AES | Advanced Encryption Standard |
| AHB | Advanced High-Performance Bus |
| AHB-AP | AHB Access Port |
| APB | Advanced Peripheral Bus |
| ARC | Alleged RC |
| ATB | Advanced Trace Bus |
| BCD | Binary Coded Decimal |
| BSDL | Boundary Scan Description Language |
| DES | Data Encryption Standard |
| DSA | Digital Signature Algorithm |
| ECC | Elliptic Curve Cryptography |
| ETB | Embedded Trace Buffer |
| ETM | Embedded Trace Macrocell |
| FLL | Frequency Locked Loop |
| FPU | Floating-Point Unit |
| GSM | Global System for Mobile communications |
| HMI | Human Machine Interface |
| IrDA | Infrared Data Association |
| LSB | Least Significant Bit |
| MSB | Most Significant Bit |
| NVIC | Nested Vector Interrupt Controller |
| PC | Program Counter |
| PFS | Port Function Select |
| PLL | Phase Locked Loop |
| POR | Power-On Reset |
| PWM | Pulse Width Modulation |
| RSA | Rivest Shamir Adleman |
| SHA | Secure Hash Algorithm |
| S/H | Sample and Hold |
| SP | Stack Pointer |
| SWD | Serial Wire Debug |
| SW-DP | Serial Wire-Debug Port |
| TRNG | True Random Number Generator |
| UART | Universal Asynchronous Receiver/Transmitter |

10. Proprietary Notice

All text, graphics, photographs, trademarks, logos, artwork and computer code, collectively known as content, contained in this document is owned, controlled or licensed by or to Renesas, and is protected by trade dress, copyright, patent and trademark laws, and other intellectual property rights and unfair competition laws. Except as expressly provided herein, no part of this document or content may be copied, reproduced, republished, posted, publicly displayed, encoded, translated, transmitted or distributed in any other medium for publication or distribution or for any commercial enterprise, without prior written consent from Renesas.

Arm® and Cortex® are registered trademarks of Arm Limited. CoreSight™ is a trademark of Arm Limited.

CoreMark® is a registered trademark of the Embedded Microprocessor Benchmark Consortium.

Magic Packet™ is a trademark of Advanced Micro Devices, Inc.

SuperFlash® is a registered trademark of Silicon Storage Technology, Inc. in several countries including the United States and Japan.

Other brands and names mentioned in this document may be the trademarks or registered trademarks of their respective holders.

11. Website and Support

Visit the following vanity URLs to learn about key elements of the Synergy Platform, download components and related documentation, and get support.

| | |
|---------------------------------|--------------------------------------------------------------------------------------------------------------|
| Synergy Software | www.renesas.com/synergy/software |
| Synergy Software Package | www.renesas.com/synergy/ssp |
| Software add-ons | www.renesas.com/synergy/addons |
| Software glossary | www.renesas.com/synergy/softwareglossary |
| Development tools | www.renesas.com/synergy/tools |
| Synergy Hardware | www.renesas.com/synergy/hardware |
| Microcontrollers | www.renesas.com/synergy/mcus |
| MCU glossary | www.renesas.com/synergy/mcuglossary |
| Parametric search | www.renesas.com/synergy/parametric |
| Kits | www.renesas.com/synergy/kits |
| Synergy Solutions Gallery | www.renesas.com/synergy/solutionsgallery |
| Partner projects | www.renesas.com/synergy/partnerprojects |
| Application projects | www.renesas.com/synergy/applicationprojects |
| Self-service support resources: | |
| Documentation | www.renesas.com/synergy/docs |
| Knowledgebase | www.renesas.com/synergy/knowledgebase |
| Forums | www.renesas.com/synergy/forum |
| Training | www.renesas.com/synergy/training |
| Videos | www.renesas.com/synergy/videos |
| Chat and web ticket | www.renesas.com/synergy/resourcelibrary |

12. Feedback on the Product

If you have any comments or suggestions about this product, go to renesassynergy.com/support.

13. Feedback on Content

If you have any comments on the document such as general suggestions for improvements, go to renesassynergy.com/support, and provide:

- The title of the Renesas Synergy document
- The document number
- If applicable, the page number(s) to which your comments refer
- A detailed explanation of your comments.

Contents

| | |
|-----------------------------------------------------------------------|----|
| Features | 49 |
| 1. Overview | 50 |
| 1.1 Function Outline..... | 50 |
| 1.2 Block Diagram | 56 |
| 1.3 Part Numbering..... | 57 |
| 1.4 Function Comparison..... | 58 |
| 1.5 Pin Functions | 59 |
| 1.6 Pin Assignments | 63 |
| 1.7 Pin Lists | 70 |
| 2. CPU | 74 |
| 2.1 Overview..... | 74 |
| 2.1.1 CPU..... | 74 |
| 2.1.2 Debug..... | 74 |
| 2.1.3 Operating Frequency..... | 75 |
| 2.2 MCU Implementation Options..... | 76 |
| 2.3 Trace Interface..... | 76 |
| 2.4 JTAG/SWD Interface | 77 |
| 2.5 Debug Mode | 77 |
| 2.5.1 Debug Mode Definition | 77 |
| 2.5.2 Debug Mode Effects | 77 |
| 2.5.2.1 Low power mode | 77 |
| 2.5.2.2 Reset | 77 |
| 2.6 Programmers Model | 79 |
| 2.6.1 Address Spaces | 79 |
| 2.6.2 Cortex-M4 Peripheral Address Map | 79 |
| 2.6.3 CoreSight ROM Table | 80 |
| 2.6.3.1 ROM entries | 80 |
| 2.6.3.2 CoreSight component registers..... | 80 |
| 2.6.4 DBGREG Module | 81 |
| 2.6.4.1 Debug Status Register (DBGSTR) | 81 |
| 2.6.4.2 Debug Stop Control Register (DBGSTOPCR) | 81 |
| 2.6.4.3 Trace Control Register (TRACECTR) | 82 |
| 2.6.4.4 DBGREG CoreSight component registers | 82 |
| 2.6.5 OCDREG Module..... | 83 |
| 2.6.5.1 ID Authentication Code Register (IAUTH0 to 3)..... | 83 |
| 2.6.5.2 MCU Status Register (MCUSTAT) | 84 |
| 2.6.5.3 MCU Control Register (MCUCTRL) | 84 |
| 2.6.5.4 OCDREG CoreSight component registers | 85 |
| 2.7 CoreSight ATB Funnel..... | 86 |

| | | |
|----------|------------------------------------------------------------------------|-----|
| 2.8 | Flash Patch and Break Unit | 86 |
| 2.9 | SysTick System Timer | 86 |
| 2.10 | CoreSight Time Stamp Generator | 86 |
| 2.11 | OCD Emulator Connection | 86 |
| 2.11.1 | DBGEN | 87 |
| 2.11.2 | Unlock ID Code | 87 |
| 2.11.3 | Restrictions on Connecting an OCD Emulator | 87 |
| 2.11.3.1 | Starting connection while in low power mode | 87 |
| 2.11.3.2 | Changing low power mode while in OCD mode | 87 |
| 2.11.3.3 | Modify the unlock ID code in OSIS | 88 |
| 2.11.3.4 | Connecting sequence and JTAG/SWD authentication | 88 |
| 2.12 | References | 89 |
| 3. | Operating Modes | 90 |
| 3.1 | Overview | 90 |
| 3.2 | Operating Mode Details | 90 |
| 3.2.1 | Single-Chip Mode | 90 |
| 3.2.2 | SCI Boot Mode | 90 |
| 3.2.3 | USB Boot Mode | 90 |
| 3.3 | Operating Mode Transitions | 90 |
| 3.3.1 | Operating Mode Transitions as Determined by the Mode-Setting Pin | 90 |
| 4. | Address Space | 91 |
| 4.1 | Overview | 91 |
| 5. | Resets | 92 |
| 5.1 | Overview | 92 |
| 5.2 | Register Descriptions | 96 |
| 5.2.1 | Reset Status Register 0 (RSTSR0) | 96 |
| 5.2.2 | Reset Status Register 1 (RSTSR1) | 97 |
| 5.2.3 | Reset Status Register 2 (RSTSR2) | 99 |
| 5.3 | Operation | 99 |
| 5.3.1 | RES Pin Reset | 99 |
| 5.3.2 | Power-On Reset | 100 |
| 5.3.3 | Voltage Monitor Reset | 100 |
| 5.3.4 | Independent Watchdog Timer Reset | 102 |
| 5.3.5 | Watchdog Timer Reset | 102 |
| 5.3.6 | Software Reset | 102 |
| 5.3.7 | Determination of Cold/Warm Start | 102 |
| 5.3.8 | Determination of Reset Generation Source | 103 |
| 6. | Option-Setting Memory | 104 |
| 6.1 | Overview | 104 |
| 6.2 | Register Descriptions | 104 |
| 6.2.1 | Option Function Select Register 0 (OFS0) | 104 |

| | | |
|-------|------------------------------------------------------------------------------------|-----|
| 6.2.2 | Option Function Select Register 1 (OFS1) | 107 |
| 6.2.3 | MPU Registers | 108 |
| 6.2.4 | Access Window Setting Control Register (AWSC) | 109 |
| 6.2.5 | Access Window Setting Register (AWS) | 110 |
| 6.2.6 | OCD/Serial Programmer ID Setting Register (OSIS) | 111 |
| 6.3 | Setting Option-Setting Memory | 112 |
| 6.3.1 | Allocation of Data in Option-Setting Memory | 112 |
| 6.3.2 | Setting Data for Programming Option-Setting Memory | 112 |
| 6.4 | Usage Note | 113 |
| 6.4.1 | Data for Programming Reserved Areas and Reserved Bits in the Option-Setting Memory | 113 |
| 7. | Low Voltage Detection (LVD) | 114 |
| 7.1 | Overview | 114 |
| 7.2 | Register Descriptions | 116 |
| 7.2.1 | Voltage Monitor 1 Circuit Control Register 1 (LVD1CR1) | 116 |
| 7.2.2 | Voltage Monitor 1 Circuit Status Register (LVD1SR) | 117 |
| 7.2.3 | Voltage Monitor 2 Circuit Control Register 1 (LVD2CR1) | 117 |
| 7.2.4 | Voltage Monitor 2 Circuit Status Register (LVD2SR) | 118 |
| 7.2.5 | Voltage Monitor Circuit Control Register (LVCMPCR) | 118 |
| 7.2.6 | Voltage Detection Level Select Register (LVDLVLR) | 119 |
| 7.2.7 | Voltage Monitor 1 Circuit Control Register 0 (LVD1CR0) | 119 |
| 7.2.8 | Voltage Monitor 2 Circuit Control Register 0 (LVD2CR0) | 120 |
| 7.3 | VCC Input Voltage Monitor | 121 |
| 7.3.1 | Monitoring V_{det0} | 121 |
| 7.3.2 | Monitoring V_{det1} | 121 |
| 7.3.3 | Monitoring V_{det2} | 121 |
| 7.4 | Reset from Voltage Monitor 0 | 121 |
| 7.5 | Interrupt and Reset from Voltage Monitor 1 | 122 |
| 7.6 | Interrupt and Reset from Voltage Monitor 2 | 124 |
| 7.7 | Event Link Output | 126 |
| 7.7.1 | Interrupt Handling and Event Linking | 126 |
| 8. | Clock Generation Circuit | 128 |
| 8.1 | Overview | 128 |
| 8.2 | Register Descriptions | 131 |
| 8.2.1 | System Clock Division Control Register (SCKDIVCR) | 131 |
| 8.2.2 | System Clock Source Control Register (SCKSCR) | 133 |
| 8.2.3 | PLL Clock Control Register 2 (PLLCCR2) | 134 |
| 8.2.4 | PLL Control Register (PLLCR) | 134 |
| 8.2.5 | Memory Wait Cycle Control Register (MEMWAIT) | 135 |
| 8.2.6 | Main Clock Oscillator Control Register (MOSCCR) | 137 |
| 8.2.7 | Sub-Clock Oscillator Control Register (SOSCCR) | 138 |
| 8.2.8 | Low-Speed On-Chip Oscillator Control Register (LOCOCR) | 139 |

| | | |
|--------|----------------------------------------------------------------------|-----|
| 8.2.9 | High-Speed On-Chip Oscillator Control Register (HOCOOCR)..... | 140 |
| 8.2.10 | Middle-Speed On-Chip Oscillator Control Register (MOCOOCR)..... | 141 |
| 8.2.11 | Oscillation Stabilization Flag Register (OSCSF)..... | 141 |
| 8.2.12 | Oscillation Stop Detection Control Register (OSTDCR)..... | 143 |
| 8.2.13 | Oscillation Stop Detection Status Register (OSTDSR)..... | 144 |
| 8.2.14 | Main Clock Oscillator Wait Control Register (MOSCWTCCR)..... | 145 |
| 8.2.15 | High-Speed On-Chip Oscillator Wait Control Register (HOCOWTCCR)..... | 146 |
| 8.2.16 | Main Clock Oscillator Mode Oscillation Control Register (MOMCR)..... | 146 |
| 8.2.17 | Sub-Clock Oscillator Mode Control Register (SOMCR)..... | 147 |
| 8.2.18 | Segment LCD Source Clock Control Register (SLCDSCKCR)..... | 148 |
| 8.2.19 | Clock Out Control Register (CKOCR)..... | 149 |
| 8.2.20 | LOCO User Trimming Control Register (LOCOUTCR)..... | 150 |
| 8.2.21 | MOCO User Trimming Control Register (MOCOUTCR)..... | 150 |
| 8.2.22 | HOCO User Trimming Control Register (HOCOUTCR)..... | 151 |
| 8.2.23 | Trace Clock Control Register (TRCKCR)..... | 151 |
| 8.2.24 | USB Clock Control Register (USBCKCR)..... | 152 |
| 8.3 | Main Clock Oscillator..... | 152 |
| 8.3.1 | Connecting a Crystal Resonator..... | 152 |
| 8.3.2 | External Clock Input..... | 153 |
| 8.3.3 | Notes on External Clock Input..... | 153 |
| 8.4 | Sub-Clock Oscillator..... | 153 |
| 8.4.1 | Connecting 32.768-kHz Crystal Resonator..... | 153 |
| 8.5 | Oscillation Stop Detection Function..... | 153 |
| 8.5.1 | Oscillation Stop Detection and Operation after Detection..... | 153 |
| 8.5.2 | Oscillation Stop Detection Interrupts..... | 155 |
| 8.6 | PLL Circuit..... | 156 |
| 8.7 | Internal Clock..... | 156 |
| 8.7.1 | System Clock (ICLK)..... | 156 |
| 8.7.2 | Peripheral Module Clock (PCLKA, PCLKB, PCLKC, PCLKD)..... | 157 |
| 8.7.3 | Flash Interface Clock (FCLK)..... | 158 |
| 8.7.4 | USB Clock (UCLK)..... | 158 |
| 8.7.5 | CAN Clock (CANMCLK)..... | 158 |
| 8.7.6 | CAC Clock (CACCLK)..... | 158 |
| 8.7.7 | RTC-Dedicated Clock (RTCSCCLK, RTCLCLK)..... | 158 |
| 8.7.8 | IWDT-Dedicated Clock (IWDTCLK)..... | 158 |
| 8.7.9 | AGT-Dedicated Clock (AGTSCLK, AGTLCLK)..... | 159 |
| 8.7.10 | SysTick Timer-Dedicated Clock (SYSTICCLK)..... | 159 |
| 8.7.11 | Segment LCD Source Clock (LCDSRCCLK)..... | 159 |
| 8.7.12 | Clock/Buzzer Output Clock (CLKOUT)..... | 159 |
| 8.7.13 | JTAG Clock (JTAGTCK)..... | 159 |
| 8.8 | Usage Notes..... | 159 |

| | | |
|---------|-------------------------------------------------------------|-----|
| 8.8.1 | Notes on Clock Generation Circuit | 159 |
| 8.8.2 | Notes on Resonator..... | 159 |
| 8.8.3 | Notes on Board Design | 160 |
| 8.8.4 | Notes on Resonator Connect Pin..... | 160 |
| 9. | Clock Frequency Accuracy Measurement Circuit (CAC)..... | 161 |
| 9.1 | Overview..... | 161 |
| 9.2 | Register Descriptions..... | 162 |
| 9.2.1 | CAC Control Register 0 (CACR0) | 162 |
| 9.2.2 | CAC Control Register 1 (CACR1) | 163 |
| 9.2.3 | CAC Control Register 2 (CACR2) | 164 |
| 9.2.4 | CAC Interrupt Control Register (CAICR)..... | 165 |
| 9.2.5 | CAC Status Register (CASTR)..... | 166 |
| 9.2.6 | CAC Upper-Limit Value Setting Register (CAULVR)..... | 167 |
| 9.2.7 | CAC Lower-Limit Value Setting Register (CALLVR)..... | 167 |
| 9.2.8 | CAC Counter Buffer Register (CACNTBR) | 167 |
| 9.3 | Operation..... | 167 |
| 9.3.1 | Measuring Clock Frequency..... | 167 |
| 9.3.2 | Digital Filtering of Signals on CACREF Pin..... | 168 |
| 9.4 | Interrupt Requests | 169 |
| 9.5 | Usage Note..... | 169 |
| 9.5.1 | Module-Stop Function Setting | 169 |
| 10. | Low Power Modes | 170 |
| 10.1 | Overview..... | 170 |
| 10.2 | Register Descriptions..... | 173 |
| 10.2.1 | Standby Control Register (SBYCR)..... | 173 |
| 10.2.2 | Module Stop Control Register A (MSTPCRA)..... | 174 |
| 10.2.3 | Module Stop Control Register B (MSTPCRB)..... | 174 |
| 10.2.4 | Module Stop Control Register C (MSTPCRC)..... | 175 |
| 10.2.5 | Module Stop Control Register D (MSTPCRD)..... | 176 |
| 10.2.6 | Operating Power Control Register (OPCCR) | 177 |
| 10.2.7 | Sub Operating Power Control Register (SOPCCR) | 178 |
| 10.2.8 | Snooze Control Register (SNZCR)..... | 179 |
| 10.2.9 | Snooze End Control Register (SNZEDCR)..... | 180 |
| 10.2.10 | Snooze Request Control Register (SNZREQCR) | 181 |
| 10.2.11 | Flash Operation Control Register (FLSTOP)..... | 182 |
| 10.2.12 | System Control OCD Control Register (SYOCD CR)..... | 183 |
| 10.3 | Reducing Power Consumption by Switching Clock Signals | 183 |
| 10.4 | Module-Stop Function..... | 184 |
| 10.5 | Function for Lower Operating Power Consumption..... | 184 |
| 10.5.1 | Setting Operating Power Control Mode..... | 184 |
| 10.5.2 | Operating Range | 186 |

| | | |
|---------|-----------------------------------------------------------------------------|-----|
| 10.6 | Sleep Mode..... | 188 |
| 10.6.1 | Transition to Sleep Mode..... | 188 |
| 10.6.2 | Canceling Sleep Mode | 189 |
| 10.7 | Software Standby Mode | 189 |
| 10.7.1 | Transition to Software Standby Mode | 189 |
| 10.7.2 | Canceling Software Standby Mode | 190 |
| 10.7.3 | Example of Software Standby Mode Application..... | 191 |
| 10.8 | Snooze Mode..... | 191 |
| 10.8.1 | Transition to Snooze Mode..... | 191 |
| 10.8.2 | Canceling Snooze Mode | 192 |
| 10.8.3 | Returning to Software Standby Mode..... | 193 |
| 10.8.4 | Snooze Operation Example..... | 194 |
| 10.9 | Usage Notes | 198 |
| 10.9.1 | Register Access..... | 198 |
| 10.9.2 | I/O Port States | 199 |
| 10.9.3 | Module-Stop State of DMAC and DTC | 199 |
| 10.9.4 | Internal Interrupt Sources | 200 |
| 10.9.5 | Transition to Low Power Modes | 200 |
| 10.9.6 | Timing of WFI Instruction..... | 200 |
| 10.9.7 | Writing WDT/IWDT Registers by DMAC or DTC in Sleep Mode or Snooze Mode | 200 |
| 10.9.8 | Oscillators in Snooze Mode | 200 |
| 10.9.9 | Snooze Mode Entry by RXD0 Falling Edge..... | 200 |
| 10.9.10 | Using SCI0 in Snooze Mode | 200 |
| 10.9.11 | Conditions of A/D Conversion Start in Snooze Mode..... | 200 |
| 10.9.12 | Conditions of CTSU in Snooze Mode | 201 |
| 10.9.13 | ELC Event in Snooze Mode | 201 |
| 10.9.14 | Module-Stop Function for ADC140..... | 201 |
| 10.9.15 | Module-Stop Function for an Unused Circuit..... | 201 |
| 11. | Battery Backup Function..... | 203 |
| 11.1 | Overview..... | 203 |
| 11.1.1 | Features of Battery Backup Function | 203 |
| 11.1.2 | Battery Power Supply Switch | 203 |
| 11.1.3 | VBATT Pin Low Voltage Detection..... | 203 |
| 11.1.4 | VBATT_R Low Voltage Detection | 203 |
| 11.1.5 | Backup Registers | 203 |
| 11.1.6 | VBATT Wakeup Control Function | 204 |
| 11.1.7 | Time Capture Pin Detection | 204 |
| 11.2 | Register Descriptions..... | 206 |
| 11.2.1 | VBATT Control Register 1 (VBTCR1) | 206 |
| 11.2.2 | VBATT Control Register 2 (VBTCR2) | 207 |
| 11.2.3 | VBATT Status Register (VBTSR) | 207 |

| | | |
|---------|---------------------------------------------------------------------|-----|
| 11.2.4 | VBATT Comparator Control register (VBTCMPCR) | 208 |
| 11.2.5 | VBATT Pin Low Voltage Detect Interrupt Control Register (VBTLVDICR) | 209 |
| 11.2.6 | VBATT Backup Register (VBTBKRn) (n = 0 to 511) | 209 |
| 11.2.7 | VBATT Wakeup Control Register (VBTWCTLR) | 209 |
| 11.2.8 | VBATT Wakeup I/O 0 Output Trigger Select Register (VBTWCH0OTSR) | 210 |
| 11.2.9 | VBATT Wakeup I/O 1 Output Trigger Select Register (VBTWCH1OTSR) | 211 |
| 11.2.10 | VBATT Wakeup I/O 2 Output Trigger Select Register (VBTWCH2OTSR) | 211 |
| 11.2.11 | VBATT Input Control Register (VBTICTLR) | 212 |
| 11.2.12 | VBATT Output Control Register (VBTOCTLR) | 213 |
| 11.2.13 | VBATT Wakeup Trigger Source Enable Register (VBTWTER) | 214 |
| 11.2.14 | VBATT Wakeup Trigger Source Edge Register (VBTWEGR) | 214 |
| 11.2.15 | VBATT Wakeup Trigger Source Flag Register (VBTWFR) | 215 |
| 11.2.16 | Backup Register Access Control Register (BKRACR) | 216 |
| 11.3 | Operation | 216 |
| 11.3.1 | Battery Backup Function | 216 |
| 11.3.2 | VBATT Battery Power Supply Switch Usage | 218 |
| 11.3.3 | VBATT Pin Low Voltage Detection Procedures | 218 |
| 11.3.4 | VBATT Backup Register Usage | 219 |
| 11.3.5 | VBATT Wakeup Control Function Usage | 220 |
| 11.4 | Usage Notes | 222 |
| 12. | Register Write Protection | 223 |
| 12.1 | Overview | 223 |
| 12.2 | Register Descriptions | 223 |
| 12.2.1 | Protect Register (PRCR) | 223 |
| 13. | Interrupt Controller Unit (ICU) | 224 |
| 13.1 | Overview | 224 |
| 13.2 | Register Descriptions | 226 |
| 13.2.1 | IRQ Control Register i (IRQCRi) (i = 0 to 12, 14, 15) | 226 |
| 13.2.2 | Non-Maskable Interrupt Status Register (NMISR) | 227 |
| 13.2.3 | Non-Maskable Interrupt Enable Register (NMIER) | 230 |
| 13.2.4 | Non-Maskable Interrupt Status Clear Register (NMICLR) | 231 |
| 13.2.5 | NMI Pin Interrupt Control Register (NMICR) | 233 |
| 13.2.6 | ICU Event Link Setting Register n (IELSRn) | 234 |
| 13.2.7 | DMAC Event Link Setting Register n (DELSRn) | 235 |
| 13.2.8 | SYS Event Link Setting Register (SELSR0) | 236 |
| 13.2.9 | Wake Up Interrupt Enable Register (WUPEN) | 236 |
| 13.3 | Vector Table | 238 |
| 13.3.1 | Interrupt Vector Table | 238 |
| 13.3.2 | Event Number | 239 |
| 13.4 | Interrupt Operation | 244 |
| 13.4.1 | Detecting Interrupts | 244 |

| | | |
|----------|---------------------------------------------------------------------------------------------|-----|
| 13.4.2 | Selecting Interrupt Request Destinations | 245 |
| 13.4.2.1 | CPU interrupt request..... | 245 |
| 13.4.2.2 | DTC activation..... | 245 |
| 13.4.2.3 | DMAC activation..... | 246 |
| 13.4.3 | Digital Filter..... | 247 |
| 13.4.4 | External Pin Interrupts..... | 248 |
| 13.5 | Non-Maskable Interrupt Operation | 248 |
| 13.6 | Return from Low Power Mode..... | 249 |
| 13.6.1 | Return from Sleep Mode | 249 |
| 13.6.2 | Return from Software Standby Mode | 249 |
| 13.6.3 | Return from Snooze mode | 249 |
| 13.7 | Using the WFI instruction with Non-Maskable Interrupts..... | 250 |
| 13.8 | Reference | 250 |
| 14. | Buses..... | 251 |
| 14.1 | Overview..... | 251 |
| 14.2 | Description of Buses..... | 252 |
| 14.2.1 | Main Buses..... | 252 |
| 14.2.2 | Slave Interface..... | 252 |
| 14.2.3 | Parallel Operation..... | 252 |
| 14.2.4 | Restriction on Endianness..... | 253 |
| 14.3 | Register Descriptions..... | 253 |
| 14.3.1 | Master Bus Control Register (BUSMCNT<master>) | 253 |
| 14.3.2 | Slave Bus Control Register (BUSSCNT<slave>) | 254 |
| 14.3.3 | Bus Error Address Register (BUSnERRADD) (n = 1 to 4) | 255 |
| 14.3.4 | Bus Error Status Register (BUSnERRSTAT) (n = 1 to 4) | 255 |
| 14.4 | Bus Error Monitoring Section..... | 256 |
| 14.4.1 | Error Type that Occurs by Bus | 256 |
| 14.4.2 | Operation when a Bus Error Occurs..... | 256 |
| 14.4.3 | Conditions Leading to Illegal Address Access Errors..... | 257 |
| 14.4.4 | Timeout..... | 257 |
| 14.5 | Notes on using Flash Cache..... | 257 |
| 14.6 | References | 257 |
| 15. | Memory Protection Unit (MPU)..... | 258 |
| 15.1 | Overview..... | 258 |
| 15.2 | CPU Stack Pointer Monitor..... | 258 |
| 15.2.1 | Protection of Registers | 261 |
| 15.2.2 | Overflow/Underflow Error | 261 |
| 15.2.3 | Register Descriptions | 261 |
| 15.2.3.1 | Main Stack Pointer (MSP) Monitor Start Address Register (MSPMPUSA) | 262 |
| 15.2.3.2 | Main Stack Pointer (MSP) Monitor End Address Register (MSPMPUEA) | 262 |
| 15.2.3.3 | Process Stack Pointer (PSP) Monitor Start Address Register (PSPMPUSA) | 263 |

| | | |
|----------|---------------------------------------------------------------------------------------|-----|
| 15.2.3.4 | Process Stack Pointer (PSP) Monitor End Address Register (PSPMPUEA) | 263 |
| 15.2.3.5 | Stack Pointer Monitor Operation After Detection Register (MSPMPUOAD, PSPMPUOAD) | 264 |
| 15.2.3.6 | Stack Pointer Monitor Access Control Register (MSPMPUCTL, PSPMPUCTL) | 264 |
| 15.2.3.7 | Stack Pointer Monitor Protection Register (MSPMPUPT, PSPMPUPT) | 265 |
| 15.3 | Arm MPU | 266 |
| 15.4 | Bus Master MPU | 266 |
| 15.4.1 | Register Descriptions | 267 |
| 15.4.1.1 | Group A Region n Start Address Register (MMPUSAn) (n = 0 to 15) | 268 |
| 15.4.1.2 | Group A Region n End Address Register (MMPUEAn) (n = 0 to 15) | 268 |
| 15.4.1.3 | Group A Region n Access Control Register (MMPUACAn) (n = 0 to 15) | 268 |
| 15.4.1.4 | Bus Master MPU Control Register (MMPUCTLA) | 270 |
| 15.4.1.5 | Group A Protection of Register (MMPUPTA) | 271 |
| 15.4.2 | Operation | 271 |
| 15.4.2.1 | Memory protection | 271 |
| 15.4.2.2 | Protecting the registers | 273 |
| 15.4.2.3 | Memory protection error | 273 |
| 15.5 | Bus Slave MPU | 274 |
| 15.5.1 | Register Descriptions | 274 |
| 15.5.1.1 | Access Control Register for Memory Bus 3 (SMPUMBIU) | 275 |
| 15.5.1.2 | Access Control Register for Internal Peripheral Bus 9 (SMPUFBIU) | 275 |
| 15.5.1.3 | Access Control Register for Memory Bus 4 (SMPUSRAM0) | 276 |
| 15.5.1.4 | Access Control Register for Internal Peripheral Bus 1 (SMPUP0BIU) | 276 |
| 15.5.1.5 | Access Control Register for Internal Peripheral Bus 3 (SMPUP2BIU) | 277 |
| 15.5.1.6 | Access Control Register for Internal Peripheral Bus 7 (SMPUP6BIU) | 278 |
| 15.5.1.7 | Slave MPU Control Register (SMPUCTL) | 278 |
| 15.5.2 | Functions | 279 |
| 15.5.2.1 | Memory protection | 279 |
| 15.5.2.2 | Protection of registers | 279 |
| 15.5.2.3 | Memory protection error | 279 |
| 15.6 | Security MPU | 279 |
| 15.6.1 | Register Descriptions (Option-Setting memory) | 280 |
| 15.6.1.1 | Security MPU Program Counter Start Address Register (SECMPUPCSn) (n = 0, 1) | 281 |
| 15.6.1.2 | Security MPU Program Counter End Address Register (SECMPUPCEn) (n = 0, 1) | 281 |
| 15.6.1.3 | Security MPU Region 0 Start Address Register (SECMPUS0) | 282 |
| 15.6.1.4 | Security MPU Region 0 End Address Register (SECMPUE0) | 282 |
| 15.6.1.5 | Security MPU Region 1 Start Address Register (SECMPUS1) | 283 |
| 15.6.1.6 | Security MPU Region 1 End Address Register (SECMPUE1) | 283 |
| 15.6.1.7 | Security MPU Region 2 Start Address Register (SECMPUS2) | 284 |
| 15.6.1.8 | Security MPU Region 2 End Address Register (SECMPUE2) | 284 |

| | | |
|-----------|-----------------------------------------------------------------------------|-----|
| 15.6.1.9 | Security MPU Region 3 Start Address Register (SECMPUS3) | 285 |
| 15.6.1.10 | Security MPU Region 3 End Address Register (SECMPUE3) | 285 |
| 15.6.1.11 | Security MPU Access Control Register (SECMPUAC) | 286 |
| 15.6.2 | Memory Protection | 287 |
| 15.6.3 | Notes on Debug | 288 |
| 15.7 | References | 288 |
| 16. | DMA Controller (DMAC) | 289 |
| 16.1 | Overview | 289 |
| 16.2 | Register Descriptions | 291 |
| 16.2.1 | DMA Source Address Register (DMSAR) | 291 |
| 16.2.2 | DMA Destination Address Register (DMDAR) | 291 |
| 16.2.3 | DMA Transfer Count Register (DMCRA) | 292 |
| 16.2.4 | DMA Block Transfer Count Register (DMCRB) | 293 |
| 16.2.5 | DMA Transfer Mode Register (DMTMD) | 293 |
| 16.2.6 | DMA Interrupt Setting Register (DMINT) | 294 |
| 16.2.7 | DMA Address Mode Register (DMAMD) | 295 |
| 16.2.8 | DMA Offset Register (DMOFR) | 297 |
| 16.2.9 | DMA Transfer Enable Register (DMCNT) | 297 |
| 16.2.10 | DMA Software Start Register (DMREQ) | 298 |
| 16.2.11 | DMA Status Register (DMSTS) | 299 |
| 16.2.12 | DMAC Module Activation Register (DMAST) | 300 |
| 16.3 | Operation | 300 |
| 16.3.1 | Transfer Mode | 300 |
| 16.3.2 | Extended Repeat Area Function | 303 |
| 16.3.3 | Address Update Function Using Offset | 305 |
| 16.3.4 | Activation Sources | 309 |
| 16.3.5 | Operation Timing | 309 |
| 16.3.6 | Execution Cycles of DMAC | 310 |
| 16.3.7 | Activating DMAC | 311 |
| 16.3.8 | Starting DMA Transfer | 313 |
| 16.3.9 | Registers during DMA Transfer | 313 |
| 16.3.10 | Channel Priority | 314 |
| 16.4 | Ending DMA Transfer | 314 |
| 16.4.1 | Transfer End by Completion of Specified Total Number of Transfer Operations | 314 |
| 16.4.2 | Transfer End by Repeat Size End Interrupt | 314 |
| 16.4.3 | Transfer End by Interrupt on Extended Repeat Area Overflow | 314 |
| 16.4.4 | Precautions for the End of DMA Transfer | 315 |
| 16.5 | Interrupts | 315 |
| 16.6 | Event Link | 316 |
| 16.7 | Low Power Consumption Function | 316 |
| 16.8 | Usage Notes | 317 |

| | | |
|---------|---------------------------------------------------------------------------------------------------|-----|
| 16.8.1 | Access to Registers during DMA Transfer | 317 |
| 16.8.2 | DMA Transfer to Reserved Areas | 317 |
| 16.8.3 | Setting the DMAC Event Link Setting Register of the Interrupt Controller Unit (ICU.DEL-SRn) | 317 |
| 16.8.4 | Suspending or Restarting DMA Activation | 317 |
| 17. | Data Transfer Controller (DTC)..... | 318 |
| 17.1 | Overview..... | 318 |
| 17.2 | Register Descriptions..... | 319 |
| 17.2.1 | DTC Mode Register A (MRA)..... | 320 |
| 17.2.2 | DTC Mode Register B (MRB)..... | 320 |
| 17.2.3 | DTC Transfer Source Register (SAR) | 321 |
| 17.2.4 | DTC Transfer Destination Register (DAR) | 322 |
| 17.2.5 | DTC Transfer Count Register A (CRA) | 322 |
| 17.2.6 | DTC Transfer Count Register B (CRB) | 323 |
| 17.2.7 | DTC Control Register (DTCCR) | 323 |
| 17.2.8 | DTC Vector Base Register (DTCVBR) | 324 |
| 17.2.9 | DTC Module Start Register (DTCST) | 324 |
| 17.2.10 | DTC Status Register (DTCSTS)..... | 325 |
| 17.3 | Activation Sources..... | 325 |
| 17.3.1 | Allocating Transfer Information and DTC Vector Table..... | 326 |
| 17.4 | Operation..... | 327 |
| 17.4.1 | Transfer Information Read Skip Function..... | 329 |
| 17.4.2 | Transfer Information Write-Back Skip Function..... | 329 |
| 17.4.3 | Normal Transfer Mode..... | 330 |
| 17.4.4 | Repeat Transfer Mode..... | 331 |
| 17.4.5 | Block Transfer Mode | 332 |
| 17.4.6 | Chain Transfer..... | 333 |
| 17.4.7 | Operation Timing | 334 |
| 17.4.8 | Execution Cycles of DTC..... | 336 |
| 17.4.9 | DTC Bus Mastership Release Timing | 336 |
| 17.5 | DTC Setting Procedure..... | 336 |
| 17.6 | Examples of DTC Usage | 337 |
| 17.6.1 | Normal Transfer..... | 337 |
| 17.6.2 | Chain Transfer..... | 338 |
| 17.6.3 | Chain Transfer when Counter = 0 | 340 |
| 17.7 | Interrupt Source | 341 |
| 17.8 | Event Link | 341 |
| 17.9 | Snooze Control Interface | 341 |
| 17.10 | Module-Stop Function..... | 341 |
| 17.11 | Usage Notes | 342 |
| 17.11.1 | Transfer Information Start Address | 342 |

| | | |
|----------|-------------------------------------------------------------------------------------------------|-----|
| 18. | Event Link Controller (ELC) | 343 |
| 18.1 | Overview | 343 |
| 18.2 | Register Descriptions | 344 |
| 18.2.1 | Event Link Controller Register (ELCR) | 344 |
| 18.2.2 | Event Link Software Event Generation Register n (ELSEGRn) (n = 0, 1) | 344 |
| 18.2.3 | Event Link Setting Register n (ELSRn) (n = 0 to 9, 12, 14 to 18) | 345 |
| 18.3 | Operation | 349 |
| 18.3.1 | Relation between Interrupt Handling and Event Linking | 349 |
| 18.3.2 | Linking Events | 349 |
| 18.3.3 | Example Procedure for Linking Events | 350 |
| 18.4 | Usage Notes | 351 |
| 18.4.1 | Linking DMAC or DTC Transfer End Signals as Events | 351 |
| 18.4.2 | Setting Clocks | 351 |
| 18.4.3 | Module-Stop Function Setting | 351 |
| 18.4.4 | ELC Delay Time | 351 |
| 19. | I/O Ports | 352 |
| 19.1 | Overview | 352 |
| 19.2 | Register Descriptions | 354 |
| 19.2.1 | Port Control Register 1 (PCNTR1/PODR/PDR) | 354 |
| 19.2.2 | Port Control Register 2 (PCNTR2/EIDR/PIDR) | 355 |
| 19.2.3 | Port Control Register 3 (PCNTR3/PORR/POSR) | 356 |
| 19.2.4 | Port Control Register 4 (PCNTR4/EORR/EOSR) | 357 |
| 19.2.5 | Port mn Pin Function Select Register (PmnPFS/PmnPFS_HA/PmnPFS_BY) (m = 0 to 9; n = 00 to 15) | 358 |
| 19.2.6 | Write-Protect Register (PWPR) | 360 |
| 19.3 | Operation | 360 |
| 19.3.1 | General I/O Ports | 360 |
| 19.3.2 | Port Function Select | 360 |
| 19.3.3 | Port Group Function for ELC | 361 |
| 19.3.3.1 | Behavior when ELC_PORT1, 2, 3, or 4 is input from ELC | 361 |
| 19.3.3.2 | Behavior when event pulse is output to ELC | 362 |
| 19.4 | Handling of Unused Pins | 363 |
| 19.5 | Usage Notes | 363 |
| 19.5.1 | Procedure for Specifying the Pin Functions | 363 |
| 19.5.2 | Procedure for Using Port Group Input | 363 |
| 19.5.3 | Port Output Data Register (PODR) Summary | 364 |
| 19.5.4 | Notes on Using Analog Functions | 364 |
| 19.5.5 | I/O Buffer Specification | 364 |
| 19.5.6 | Selecting the USB_DP and USB_DM Pins | 364 |
| 19.5.7 | Pull-up/Pull-down Setting for P914 and P915 using USBFS/GPIO Function | 365 |
| 19.6 | Peripheral Select Settings for each Product | 365 |

| | | |
|----------|-------------------------------------------------------------------|-----|
| 20. | Key Interrupt Function (KINT) | 376 |
| 20.1 | Overview | 376 |
| 20.2 | Register Descriptions | 378 |
| 20.2.1 | Key Return Control Register (KRCTL) | 378 |
| 20.2.2 | Key Return Flag Register (KRF) | 378 |
| 20.2.3 | Key Return Mode Register (KRM) | 378 |
| 20.3 | Operation | 379 |
| 20.3.1 | Operation When Not Using Key Interrupt Flag (KRMD = 0) | 379 |
| 20.3.2 | Operation When Using Key Interrupt Flag (KRMD = 1) | 380 |
| 20.4 | Usage Note | 381 |
| 21. | Port Output Enable for GPT (POEG) | 382 |
| 21.1 | Overview | 382 |
| 21.2 | Register Descriptions | 383 |
| 21.2.1 | POEG Group n Setting Register (POEGGn) (n = A, B) | 383 |
| 21.3 | Output Disable Control Operation | 384 |
| 21.3.1 | Pin Input Level Detection Operation | 385 |
| 21.3.1.1 | Digital filter | 385 |
| 21.3.2 | Output-Disable Request from GPT | 385 |
| 21.3.3 | Output-Disable Control on Detection of Stopped Oscillation | 385 |
| 21.3.4 | Output-Disable Control Using Registers | 385 |
| 21.3.5 | Release from Output Disable | 385 |
| 21.4 | Interrupt Sources | 386 |
| 21.5 | External Trigger Output to GPT | 386 |
| 21.6 | Usage Notes | 387 |
| 21.6.1 | Transition to Software Standby Mode | 387 |
| 21.6.2 | Specifying Pins Associated with the GPT | 387 |
| 22. | General PWM Timer (GPT) | 388 |
| 22.1 | Overview | 388 |
| 22.2 | Register Descriptions | 392 |
| 22.2.1 | General PWM Timer Write-Protection Register (GTWP) | 393 |
| 22.2.2 | General PWM Timer Software Start Register (GTSTR) | 393 |
| 22.2.3 | General PWM Timer Software Stop Register (GTSTP) | 394 |
| 22.2.4 | General PWM Timer Software Clear Register (GTCLR) | 394 |
| 22.2.5 | General PWM Timer Start Source Select Register (GTSSR) | 395 |
| 22.2.6 | General PWM Timer Stop Source Select Register (GTPSR) | 397 |
| 22.2.7 | General PWM Timer Clear Source Select Register (GTCSR) | 400 |
| 22.2.8 | General PWM Timer Up Count Source Select Register (GTUPSR) | 402 |
| 22.2.9 | General PWM Timer Down Count Source Select Register (GTDNSR) | 405 |
| 22.2.10 | General PWM Timer Input Capture Source Select Register A(GTICASR) | 407 |
| 22.2.11 | General PWM Timer Input Capture Source Select Register B(GTICBSR) | 410 |
| 22.2.12 | General PWM Timer Control Register (GTCR) | 413 |

| | | |
|-----------|------------------------------------------------------------------------------|-----|
| 22.2.13 | General PWM Timer Count Direction and Duty Setting Register (GTUDDTYC) | 414 |
| 22.2.14 | General PWM Timer I/O Control Register (GTIOR) | 416 |
| 22.2.15 | General PWM Timer Interrupt Output Setting Register (GTINTAD)..... | 420 |
| 22.2.16 | General PWM Timer Status Register (GTST) | 421 |
| 22.2.17 | General PWM Timer Buffer Enable Register (GTBER)..... | 424 |
| 22.2.18 | General PWM Timer Counter (GTCNT) | 426 |
| 22.2.19 | General PWM Timer Compare Capture Register n (GTCCRn) (n = A to F)..... | 426 |
| 22.2.20 | General PWM Timer Cycle Setting Register (GTPR)..... | 427 |
| 22.2.21 | General PWM Timer Cycle Setting Buffer Register (GTPBR)..... | 427 |
| 22.2.22 | General PWM Timer Dead Time Control Register (GTDTCR)..... | 428 |
| 22.2.23 | General PWM Timer Dead Time Value Register U (GTDVU)..... | 428 |
| 22.2.24 | Output Phase Switching Control Register (OPSCR) | 429 |
| 22.3 | Operation | 431 |
| 22.3.1 | Basic Operation | 431 |
| 22.3.1.1 | Counter operation..... | 431 |
| 22.3.1.2 | Waveform output by compare match | 436 |
| 22.3.1.3 | Input capture function..... | 439 |
| 22.3.2 | Buffer Operation | 441 |
| 22.3.2.1 | GTPR register buffer operation | 441 |
| 22.3.2.2 | Buffer operation for GTCCRA and GTCCRB | 445 |
| 22.3.3 | PWM Output Operating Mode | 449 |
| 22.3.3.1 | Saw-wave PWM mode | 449 |
| 22.3.3.2 | Saw-wave one-shot pulse mode | 452 |
| 22.3.3.3 | Triangle-wave PWM mode 1 (32-bit transfer at trough) | 455 |
| 22.3.3.4 | Triangle-wave PWM mode 2 (32-bit transfer at crest and trough) | 457 |
| 22.3.3.5 | Triangle-wave PWM mode 3 (64-bit transfer at trough) | 459 |
| 22.3.4 | Automatic Dead Time Setting Function | 461 |
| 22.3.5 | Count Direction Changing Function..... | 465 |
| 22.3.6 | Function of Output Duty 0% and 100% | 466 |
| 22.3.7 | Hardware Count Start/Count Stop and Clear Operation | 468 |
| 22.3.7.1 | Hardware start operation..... | 468 |
| 22.3.7.2 | Hardware stop operation | 469 |
| 22.3.7.3 | Hardware clear operation | 473 |
| 22.3.8 | Synchronized Operation | 475 |
| 22.3.8.1 | Synchronized operation by software | 475 |
| 22.3.8.2 | Synchronized operation by hardware | 478 |
| 22.3.9 | PWM Output Operation Examples | 480 |
| 22.3.10 | Phase Counting Function | 486 |
| 22.3.11 | Output Phase Switching (GPT_ OPS)..... | 493 |
| 22.3.11.1 | Input selection and synchronization of external input signal | 495 |
| 22.3.11.2 | Input sampling | 496 |

| | | |
|-----------|----------------------------------------------------------------------------|-----|
| 22.3.11.3 | Input phase decode..... | 496 |
| 22.3.11.4 | Output selection control..... | 496 |
| 22.3.11.5 | Output selection control (group output disable function)..... | 498 |
| 22.3.11.6 | Event Link Controller (ELC) output..... | 498 |
| 22.3.11.7 | GPT_OPS start operation setting flow | 499 |
| 22.4 | Interrupt Sources | 499 |
| 22.4.1 | Interrupt Sources | 499 |
| 22.4.2 | DMAC/DTC Activation | 503 |
| 22.5 | Operations Linked by ELC..... | 503 |
| 22.5.1 | Event Signal Output to ELC..... | 503 |
| 22.5.2 | Event Signal Inputs from ELC | 503 |
| 22.6 | Noise Filter Function..... | 503 |
| 22.7 | Protection Function..... | 504 |
| 22.7.1 | Write-Protection for Registers | 504 |
| 22.7.2 | Disabling of Buffer Operation | 504 |
| 22.7.3 | GTIOC Pin Output Negate Control | 505 |
| 22.8 | Initialization Method of Output Pins | 506 |
| 22.8.1 | Pin Settings after Reset..... | 506 |
| 22.8.2 | Pin Initialization Due to Error during Operation | 507 |
| 22.9 | Usage Notes | 507 |
| 22.9.1 | Module-Stop Function Setting | 507 |
| 22.9.2 | GTCCRn Settings during Compare Match Operation (n = A to F) | 507 |
| 22.9.3 | Setting Range for GTCNT Counter | 508 |
| 22.9.4 | Starting and Stopping the GTCNT Counter..... | 508 |
| 22.9.5 | Priority Order of each Event | 508 |
| 23. | Asynchronous General Purpose Timer (AGT)..... | 510 |
| 23.1 | Overview..... | 510 |
| 23.2 | Register Descriptions..... | 512 |
| 23.2.1 | AGT Counter Register (AGT) | 512 |
| 23.2.2 | AGT Compare Match A Register (AGTCMA) | 512 |
| 23.2.3 | AGT Compare Match B Register (AGTCMB) | 513 |
| 23.2.4 | AGT Control Register (AGTCR) | 513 |
| 23.2.5 | AGT Mode Register 1 (AGTMR1) | 515 |
| 23.2.6 | AGT Mode Register 2 (AGTMR2) | 516 |
| 23.2.7 | AGT I/O Control Register (AGTIOC) | 517 |
| 23.2.8 | AGT Event Pin Select Register (AGTISR) | 518 |
| 23.2.9 | AGT Compare Match Function Select Register (AGTCMSR) | 518 |
| 23.2.10 | AGT Pin Select Register (AGTIOSEL) | 519 |
| 23.3 | Operation..... | 519 |
| 23.3.1 | Reload Register and Counter Rewrite Operation | 519 |
| 23.3.2 | Reload Register and Compare Register A/B Rewrite Operation..... | 522 |

| | | |
|---------|-------------------------------------------------------------------------------------|-----|
| 23.3.3 | Timer Mode | 523 |
| 23.3.4 | Pulse Output Mode | 523 |
| 23.3.5 | Event Counter Mode..... | 525 |
| 23.3.6 | Pulse Width Measurement Mode | 527 |
| 23.3.7 | Pulse Period Measurement Mode | 528 |
| 23.3.8 | Compare Match Function | 529 |
| 23.3.9 | Output Settings for Each Mode | 530 |
| 23.3.10 | Standby Mode | 531 |
| 23.3.11 | Interrupt Sources | 532 |
| 23.3.12 | Event Signal Output to ELC..... | 532 |
| 23.4 | Usage Notes | 532 |
| 23.4.1 | Count Operation Start and Stop Control..... | 532 |
| 23.4.2 | Access to Counter Register | 533 |
| 23.4.3 | When Changing Mode..... | 533 |
| 23.4.4 | Digital Filter..... | 533 |
| 23.4.5 | How to Calculate Event Number, Pulse Width, and Pulse Period..... | 533 |
| 23.4.6 | When Count is Forcibly Stopped by TSTOP Bit..... | 533 |
| 23.4.7 | When Selecting AGT0 Underflow as the Count Source | 534 |
| 23.4.8 | Reset of I/O Register | 534 |
| 23.4.9 | When Selecting PCLKB, PCLKB/8, or PCLKB/2 as the Count Source | 534 |
| 23.4.10 | When Selecting AGTLCLK or AGTSCLK as the Count Source | 534 |
| 23.4.11 | When Switching Source Clock | 534 |
| 24. | Realtime Clock (RTC)..... | 535 |
| 24.1 | Overview..... | 535 |
| 24.2 | Register Descriptions..... | 537 |
| 24.2.1 | 64-Hz Counter (R64CNT)..... | 537 |
| 24.2.2 | Second Counter (RSECCNT)/Binary Counter 0 (BCNT0)..... | 537 |
| 24.2.3 | Minute Counter (RMINCNT)/Binary Counter 1 (BCNT1)..... | 538 |
| 24.2.4 | Hour Counter (RHRCNT)/Binary Counter 2 (BCNT2) | 539 |
| 24.2.5 | Day-of-Week Counter (RWKCNT)/Binary Counter 3 (BCNT3)..... | 540 |
| 24.2.6 | Day Counter (RDAYCNT)..... | 541 |
| 24.2.7 | Month Counter (RMONCNT)..... | 541 |
| 24.2.8 | Year Counter (RYRCNT)..... | 542 |
| 24.2.9 | Second Alarm Register (RSECAR)/Binary Counter 0 Alarm Register (BCNT0AR) ... | 542 |
| 24.2.10 | Minute Alarm Register (RMINAR)/Binary Counter 1 Alarm Register (BCNT1AR) | 543 |
| 24.2.11 | Hour Alarm Register (RHRAR)/Binary Counter 2 Alarm Register (BCNT2AR) | 544 |
| 24.2.12 | Day-of-Week Alarm Register (RWKAR)/Binary Counter 3 Alarm Register (BCNT3AR) | 545 |
| 24.2.13 | Date Alarm Register (RDAYAR)/Binary Counter 0 Alarm Enable Register (BCNT0AER)..... | 546 |
| 24.2.14 | Month Alarm Register (RMONAR)/Binary Counter 1 Alarm Enable Register | |

| | | |
|----------|-----------------------------------------------------------------------------------------------------------|-----|
| | (BCNT1AER)..... | 547 |
| 24.2.15 | Year Alarm Register (RYRAR)/Binary Counter 2 Alarm Enable Register (BCNT2AER)..... | 548 |
| 24.2.16 | Year Alarm Enable Register (RYRAREN)/Binary Counter 3 Alarm Enable Register (BCNT3AER)..... | 549 |
| 24.2.17 | RTC Control Register 1 (RCR1)..... | 550 |
| 24.2.18 | RTC Control Register 2 (RCR2)..... | 551 |
| 24.2.19 | RTC Control Register 4 (RCR4)..... | 554 |
| 24.2.20 | Frequency Register (RFRH/RFRL)..... | 555 |
| 24.2.21 | Time Error Adjustment Register (RADJ)..... | 556 |
| 24.2.22 | Time Capture Control Register y (RTCCPy) (y = 0 to 2)..... | 556 |
| 24.2.23 | Second Capture Register y (RSECCPy) (y = 0 to 2)/BCNT0 Capture Register y (BCNT0CPy) (y = 0 to 2)..... | 558 |
| 24.2.24 | Minute Capture Register y (RMINCPy) (y = 0 to 2)/BCNT1 Capture Register y (BCNT1CPy) (y = 0 to 2)..... | 558 |
| 24.2.25 | Hour Capture Register y (RHRCPy) (y = 0 to 2)/BCNT2 Capture Register y (BCNT2CPy) (y = 0 to 2)..... | 559 |
| 24.2.26 | Date Capture Register y (RDAYCPy) (y = 0 to 2)/BCNT3 Capture Register y (BCNT3CPy) (y = 0 to 2)..... | 560 |
| 24.2.27 | Month Capture Register y (RMONCPy) (y = 0 to 2)..... | 561 |
| 24.3 | Operation..... | 561 |
| 24.3.1 | Outline of Initial Settings of Registers after Power On..... | 561 |
| 24.3.2 | Clock and Count Mode Setting Procedure..... | 562 |
| 24.3.3 | Setting the Time..... | 563 |
| 24.3.4 | 30-Second Adjustment..... | 563 |
| 24.3.5 | Reading 64-Hz Counter and Time..... | 564 |
| 24.3.6 | Alarm Function..... | 565 |
| 24.3.7 | Procedure for Disabling Alarm Interrupt..... | 566 |
| 24.3.8 | Time Error Adjustment Function..... | 566 |
| 24.3.8.1 | Automatic adjustment..... | 566 |
| 24.3.8.2 | Adjustment by software..... | 567 |
| 24.3.8.3 | Procedure for changing the mode of adjustment..... | 567 |
| 24.3.8.4 | Procedure for stopping adjustment..... | 568 |
| 24.3.8.5 | Capturing the time..... | 568 |
| 24.4 | Interrupt Sources..... | 569 |
| 24.5 | Event Link Output..... | 570 |
| 24.5.1 | Interrupt Handling and Event Linking..... | 571 |
| 24.6 | Usage Notes..... | 571 |
| 24.6.1 | Register Writing during Counting..... | 571 |
| 24.6.2 | Use of Periodic Interrupts..... | 571 |
| 24.6.3 | RTCOU (1-Hz/64-Hz) Clock Output..... | 572 |
| 24.6.4 | Transitions to Low Power Modes after Setting Registers..... | 572 |
| 24.6.5 | Notes on Writing to and Reading from Registers..... | 572 |

| | | |
|----------|------------------------------------------------------------------------------------------|-----|
| 24.6.6 | Changing the Count Mode..... | 572 |
| 24.6.7 | Initialization Procedure when the RTC is not to be Used | 573 |
| 24.6.8 | When Switching Source Clock | 573 |
| 25. | Watchdog Timer (WDT) | 574 |
| 25.1 | Overview..... | 574 |
| 25.2 | Register Descriptions..... | 575 |
| 25.2.1 | WDT Refresh Register (WDTRR)..... | 575 |
| 25.2.2 | WDT Control Register (WDTCR)..... | 576 |
| 25.2.3 | WDT Status Register (WDTSR) | 578 |
| 25.2.4 | WDT Reset Control Register (WDTRCR)..... | 579 |
| 25.2.5 | WDT Count Stop Control Register (WDTCSNPR)..... | 580 |
| 25.2.6 | Option Function Select Register 0 (OFS0)..... | 580 |
| 25.3 | Operation..... | 580 |
| 25.3.1 | Count Operation in Each Start Mode..... | 580 |
| 25.3.1.1 | Register start mode | 581 |
| 25.3.1.2 | Auto-start mode | 582 |
| 25.3.2 | Controlling Writes to the WDTCR, WDTRCR, and WDTCSNPR Registers | 583 |
| 25.3.3 | Refresh Operation | 584 |
| 25.3.4 | Reset Output | 585 |
| 25.3.5 | Interrupt Sources | 585 |
| 25.3.6 | Reading the Down-Counter Value..... | 585 |
| 25.3.7 | Associations between Option Function Select Register 0 (OFS0) and WDT Registers | 586 |
| 25.4 | Link Operation by ELC..... | 586 |
| 25.5 | Usage Notes | 586 |
| 25.5.1 | ICU Event Link Setting Register n (IELSRn) Setting | 586 |
| 26. | Independent Watchdog Timer (IWDT) | 587 |
| 26.1 | Overview..... | 587 |
| 26.2 | Register Descriptions..... | 588 |
| 26.2.1 | IWDT Refresh Register (IWDTRR)..... | 588 |
| 26.2.2 | IWDT Status Register (IWDTSR) | 589 |
| 26.2.3 | Option Function Select Register 0 (OFS0)..... | 590 |
| 26.3 | Operation..... | 592 |
| 26.3.1 | Auto-Start Mode | 592 |
| 26.3.2 | Refresh Operation | 593 |
| 26.3.3 | Status Flags..... | 594 |
| 26.3.4 | Reset Output | 595 |
| 26.3.5 | Interrupt Sources | 595 |
| 26.3.6 | Reading the Down-counter Value..... | 595 |
| 26.4 | Link Operation by ELC..... | 595 |
| 26.5 | Usage Notes | 596 |

| | | |
|---------|--------------------------------------------------------------------------------------------------------------------------------------|-----|
| 26.5.1 | Refresh Operations | 596 |
| 26.5.2 | Clock Division Ratio Setting | 596 |
| 27. | USB 2.0 Full-Speed Module (USBFS) | 597 |
| 27.1 | Overview | 597 |
| 27.2 | Register Descriptions | 599 |
| 27.2.1 | System Configuration Control Register (SYSCFG) | 599 |
| 27.2.2 | System Configuration Status Register 0 (SYSSTS0) | 600 |
| 27.2.3 | Device State Control Register 0 (DVSTCTR0) | 601 |
| 27.2.4 | CFIFO Port Register (CFIFO/CFIFOL) D0FIFO Port Register (D0FIFO/D0FIFOL) D1FIFO Port Register (D1FIFO/D1FIFOL) | 604 |
| 27.2.5 | CFIFO Port Select Register (CFIFOSEL) D0FIFO Port Select Register (D0FIFOSEL) D1FIFO Port Select Register (D1FIFOSEL) | 605 |
| 27.2.6 | CFIFO Port Control Register (CFIFOCTR) D0FIFO Port Control Register (D0FIFOCTR) D1FIFO Port Control Register (D1FIFOCTR) | 608 |
| 27.2.7 | Interrupt Enable Register 0 (INTENB0) | 610 |
| 27.2.8 | Interrupt Enable Register 1 (INTENB1) | 611 |
| 27.2.9 | BRDY Interrupt Enable Register (BRDYENB) | 612 |
| 27.2.10 | NRDY Interrupt Enable Register (NRDYENB) | 613 |
| 27.2.11 | BEMP Interrupt Enable Register (BEMPENB) | 614 |
| 27.2.12 | SOF Output Configuration Register (SOFCFG) | 615 |
| 27.2.13 | Interrupt Status Register 0 (INTSTS0) | 616 |
| 27.2.14 | Interrupt Status Register 1 (INTSTS1) | 618 |
| 27.2.15 | BRDY Interrupt Status Register (BRDYSTS) | 620 |
| 27.2.16 | NRDY Interrupt Status Register (NRDYSTS) | 621 |
| 27.2.17 | BEMP Interrupt Status Register (BEMPSTS) | 622 |
| 27.2.18 | Frame Number Register (FRMNUM) | 623 |
| 27.2.19 | USB Request Type Register (USBREQ) | 624 |
| 27.2.20 | USB Request Value Register (USBVAL) | 625 |
| 27.2.21 | USB Request Index Register (USBINDX) | 625 |
| 27.2.22 | USB Request Length Register (USBLENG) | 626 |
| 27.2.23 | DCP Configuration Register (DCPCFG) | 626 |
| 27.2.24 | DCP Maximum Packet Size Register (DCPMAXP) | 627 |
| 27.2.25 | DCP Control Register (DCPCTR) | 628 |
| 27.2.26 | Pipe Window Select Register (PIPESEL) | 631 |
| 27.2.27 | Pipe Configuration Register (PIPECFG) | 631 |
| 27.2.28 | Pipe Maximum Packet Size Register (PIPEMAXP) | 633 |
| 27.2.29 | Pipe Cycle Control Register (PIPEPERI) | 634 |
| 27.2.30 | PIPE _n Control Registers (PIPE _n CTR) (n = 1 to 9) | 635 |
| 27.2.31 | PIPE _n Transaction Counter Enable Register (PIPE _n TRE) (n = 1 to 5) | 641 |
| 27.2.32 | PIPE _n Transaction Counter Register (PIPE _n TRN) (n = 1 to 5) | 642 |

| | | |
|-----------|----------------------------------------------------------------------|-----|
| 27.2.33 | Device Address n Configuration Register (DEVADDn) (n = 0 to 5) | 643 |
| 27.2.34 | USB Module Control Register (USBMC) | 643 |
| 27.2.35 | BC Control Register 0 (USBBCCTRL0) | 644 |
| 27.3 | Operation | 645 |
| 27.3.1 | System Control | 645 |
| 27.3.1.1 | Setting data to USBFS-related registers | 645 |
| 27.3.1.2 | Selecting the controller function | 645 |
| 27.3.1.3 | Controlling the USBFS data bus using resistors | 645 |
| 27.3.1.4 | Example of USBFS power supply connection | 646 |
| 27.3.1.5 | Example of USB external connection circuits | 648 |
| 27.3.2 | Interrupt Sources | 655 |
| 27.3.3 | Interrupt Descriptions | 658 |
| 27.3.3.1 | BRDY interrupt | 658 |
| 27.3.3.2 | NRDY interrupt | 661 |
| 27.3.3.3 | BEMP interrupt | 664 |
| 27.3.3.4 | Device state transition interrupt (device controller mode) | 665 |
| 27.3.3.5 | Control transfer stage transition interrupt (device controller mode) | 666 |
| 27.3.3.6 | Frame update interrupt | 667 |
| 27.3.3.7 | VBUS interrupt | 667 |
| 27.3.3.8 | Resumed interrupt | 667 |
| 27.3.3.9 | OVRCCR interrupt | 667 |
| 27.3.3.10 | BCHG interrupt | 667 |
| 27.3.3.11 | DTCH interrupt | 667 |
| 27.3.3.12 | SACK interrupt | 667 |
| 27.3.3.13 | SIGN interrupt | 667 |
| 27.3.3.14 | ATTCH interrupt | 668 |
| 27.3.3.15 | EOFERR interrupt | 668 |
| 27.3.3.16 | Portable device detection interrupt | 668 |
| 27.3.4 | Pipe Control | 668 |
| 27.3.4.1 | Pipe control register switching procedures | 669 |
| 27.3.4.2 | Transfer types | 670 |
| 27.3.4.3 | Endpoint number | 670 |
| 27.3.4.4 | Maximum packet size setting | 670 |
| 27.3.4.5 | Transaction counter for pipes 1 to 5 in the receiving direction | 670 |
| 27.3.4.6 | Response PID | 671 |
| 27.3.4.7 | Data PID sequence bit | 672 |
| 27.3.4.8 | Response PID = NAK function | 672 |
| 27.3.4.9 | Auto response mode | 672 |
| 27.3.4.10 | OUT-NAK mode | 672 |
| 27.3.4.11 | Null auto response mode | 672 |
| 27.3.5 | FIFO Buffer Memory | 672 |

| | | |
|-----------|------------------------------------------------------------------------------------------|-----|
| 27.3.6 | FIFO Buffer Clearing | 673 |
| 27.3.7 | FIFO Port Functions | 674 |
| 27.3.8 | DMA Transfers (D0FIFO and D1FIFO Ports) | 675 |
| 27.3.9 | Control Transfers Using DCP | 675 |
| 27.3.9.1 | Control transfers in host controller mode | 675 |
| 27.3.9.2 | Control transfers in device controller mode | 676 |
| 27.3.10 | Bulk Transfers (Pipes 1 to 5) | 677 |
| 27.3.11 | Interrupt Transfers (Pipes 6 to 9) | 677 |
| 27.3.11.1 | Interval counter for interrupt transfers in host controller mode | 677 |
| 27.3.12 | Isochronous Transfers (Pipes 1 and 2) | 678 |
| 27.3.12.1 | Error detection in isochronous transfers | 678 |
| 27.3.12.2 | DATA-PID | 679 |
| 27.3.12.3 | Interval counter | 679 |
| 27.3.13 | SOF Interpolation Function | 685 |
| 27.3.14 | Pipe Schedule | 685 |
| 27.3.14.1 | Conditions for generating transactions | 685 |
| 27.3.14.2 | Transfer schedule | 686 |
| 27.3.14.3 | Enabling USB communication | 686 |
| 27.3.15 | Battery Charging Detection Processing | 686 |
| 27.3.15.1 | Processing in device controller mode | 686 |
| 27.3.15.2 | Processing when host controller is selected | 688 |
| 27.4 | Usage Notes | 690 |
| 27.4.1 | Settings for the Module-Stop State | 690 |
| 27.4.2 | Clearing the Interrupt Status Register on Exiting Software Standby Mode | 690 |
| 27.4.3 | Clearing the Interrupt Status Register after Setting Up the Port Function | 690 |
| 28. | Serial Communications Interface (SCI) | 691 |
| 28.1 | Overview | 691 |
| 28.2 | Register Descriptions | 694 |
| 28.2.1 | Receive Shift Register (RSR) | 694 |
| 28.2.2 | Receive Data Register (RDR) | 694 |
| 28.2.3 | Receive 9-bit Data Register (RDRHL) | 695 |
| 28.2.4 | Receive FIFO Data Register H, L, HL (FRDRH, FRDRL, FRDRHL) | 695 |
| 28.2.5 | Transmit Data Register (TDR) | 696 |
| 28.2.6 | Transmit 9-Bit Data Register (TDRHL) | 697 |
| 28.2.7 | Transmit FIFO Data Register H, L, HL (FTDRH, FTDRL, FTDRHL) | 697 |
| 28.2.8 | Transmit Shift Register (TSR) | 698 |
| 28.2.9 | Serial Mode Register (SMR) for Non-Smart Card Interface Mode (SCMR.SMIF = 0) | 698 |
| 28.2.10 | Serial Mode Register for Smart Card Interface Mode (SMR_SMCI) (SCMR.SMIF = 1) | 700 |
| 28.2.11 | Serial Control Register (SCR) for Non-Smart Card Interface Mode (SCMR.SMIF = 0) | 701 |

| | | |
|---------|-----------------------------------------------------------------------------------------------------------------------------------------------------|-----|
| 28.2.12 | Serial Control Register for Smart Card Interface Mode (SCR_SMCI)(SCMR.SMIF = 1) | 703 |
| 28.2.13 | Serial Status Register (SSR) for Non-Smart Card Interface and Non-FIFO Mode (SCMR.SMIF = 0 and FCR.FM = 0) | 704 |
| 28.2.14 | Serial Status Register for Non-Smart Card Interface and FIFO Mode (SSR_FIFO) (SCMR.SMIF = 0 and FCR.FM = 1) | 707 |
| 28.2.15 | Serial Status Register for Smart Card Interface Mode (SSR_SMCI) (SCMR.SMIF = 1) | 709 |
| 28.2.16 | Smart Card Mode Register (SCMR) | 711 |
| 28.2.17 | Bit Rate Register (BRR) | 713 |
| 28.2.18 | Modulation Duty Register (MDDR) | 720 |
| 28.2.19 | Serial Extended Mode Register (SEMR) | 722 |
| 28.2.20 | Noise Filter Setting Register (SNFR) | 724 |
| 28.2.21 | I²C Mode Register 1 (SIMR1) | 724 |
| 28.2.22 | I²C Mode Register 2 (SIMR2) | 725 |
| 28.2.23 | I²C Mode Register 3 (SIMR3) | 726 |
| 28.2.24 | I²C Status Register (SISR) | 727 |
| 28.2.25 | SPI Mode Register (SPMR) | 728 |
| 28.2.26 | FIFO Control Register (FCR) | 729 |
| 28.2.27 | FIFO Data Count Register (FDR) | 731 |
| 28.2.28 | Line Status Register (LSR) | 731 |
| 28.2.29 | Compare Match Data Register (CDR) | 732 |
| 28.2.30 | Data Compare Match Control Register (DCCR) | 732 |
| 28.2.31 | Serial Port Register (SPTR) | 734 |
| 28.3 | Operation in Asynchronous Mode | 734 |
| 28.3.1 | Serial Data Transfer Format | 735 |
| 28.3.2 | Receive Data Sampling Timing and Reception Margin in Asynchronous Mode | 736 |
| 28.3.3 | Clock..... | 737 |
| 28.3.4 | Double-Speed Operation and Frequency of 6 Times the Bit Rate | 738 |
| 28.3.5 | CTS and RTS Functions..... | 738 |
| 28.3.6 | Address Match (Receive Data Match Detection) Function..... | 739 |
| 28.3.7 | SCI Initialization in Asynchronous Mode | 742 |
| 28.3.8 | Serial Data Transmission (Asynchronous Mode) | 743 |
| 28.3.9 | Serial Data Reception (Asynchronous Mode) | 748 |
| 28.4 | Multi-Processor Communications Function | 756 |
| 28.4.1 | Multi-Processor Serial Data Transmission | 757 |
| 28.4.2 | Multi-Processor Serial Data Reception..... | 760 |
| 28.5 | Operation in Clock Synchronous Mode | 765 |
| 28.5.1 | Clock..... | 766 |
| 28.5.2 | CTS and RTS Functions..... | 766 |
| 28.5.3 | SCI Initialization in Clock Synchronous Mode | 767 |
| 28.5.4 | Serial Data Transmission in Clock Synchronous Mode..... | 769 |

| | | |
|---------|----------------------------------------------------------------------------------------|-----|
| 28.5.5 | Serial Data Reception in Clock Synchronous Mode..... | 773 |
| 28.5.6 | Simultaneous Serial Data Transmission and Reception in Clock Synchronous Mode | 778 |
| 28.6 | Operation in Smart Card Interface Mode..... | 780 |
| 28.6.1 | Sample Connection | 780 |
| 28.6.2 | Data Format (Except in Block Transfer Mode) | 781 |
| 28.6.3 | Block Transfer Mode | 782 |
| 28.6.4 | Receive Data Sampling Timing and Reception Margin | 782 |
| 28.6.5 | SCI Initialization..... | 783 |
| 28.6.6 | Serial Data Transmission (Except in Block Transfer Mode)..... | 785 |
| 28.6.7 | Serial Data Reception (Except in Block Transfer Mode)..... | 787 |
| 28.6.8 | Clock Output Control | 789 |
| 28.7 | Operation in Simple IIC Mode..... | 790 |
| 28.7.1 | Generation of Start, Restart, and Stop Conditions | 791 |
| 28.7.2 | Clock Synchronization | 792 |
| 28.7.3 | SDA Output Delay | 793 |
| 28.7.4 | SCI Initialization in Simple IIC Mode | 794 |
| 28.7.5 | Operation in Master Transmission (Simple IIC Mode)..... | 794 |
| 28.7.6 | Master Reception in Simple IIC Mode | 797 |
| 28.8 | Operation in Simple SPI Mode | 799 |
| 28.8.1 | States of Pins in Master and Slave Modes..... | 800 |
| 28.8.2 | SS Function in Master Mode | 800 |
| 28.8.3 | SS Function in Slave Mode | 800 |
| 28.8.4 | Relationship between Clock and Transmit/Receive Data..... | 800 |
| 28.8.5 | SCI Initialization in Simple SPI Mode | 801 |
| 28.8.6 | Transmission and Reception of Serial Data in Simple SPI Mode..... | 801 |
| 28.9 | Bit Rate Modulation Function..... | 802 |
| 28.10 | Interrupt Sources | 802 |
| 28.10.1 | Buffer Operations for SCIn_TXI and SCIn_RXI Interrupts (non-FIFO selected) | 802 |
| 28.10.2 | Buffer Operations for SCIn_TXI and SCIn_RXI Interrupts (FIFO selected) | 802 |
| 28.10.3 | Interrupts in Asynchronous, Clock Synchronous, and Simple SPI Modes | 803 |
| 28.10.4 | Interrupts in Smart Card Interface Mode | 804 |
| 28.10.5 | Interrupts in Simple IIC Mode | 805 |
| 28.11 | Event Linking | 805 |
| 28.12 | Address mismatch event output (SCI0_DCUF)..... | 806 |
| 28.13 | Noise Cancellation Function | 806 |
| 28.14 | Usage Notes | 807 |
| 28.14.1 | Settings for the Module-Stop State..... | 807 |
| 28.14.2 | SCI Operations during Low Power State..... | 807 |
| 28.14.3 | Break Detection and Processing | 812 |
| 28.14.4 | Mark State and Production of Breaks..... | 813 |
| 28.14.5 | Receive Error Flags and Transmit Operations in Clock Synchronous and Simple SPI | |

| | | |
|----------|---------------------------------------------------------------------------------------------------|-----|
| | Modes..... | 813 |
| 28.14.6 | Restrictions on Clock Synchronous Transmission in Clock Synchronous Mode and Simple SPI Mode..... | 813 |
| 28.14.7 | Restrictions on Using DMAC or DTC..... | 814 |
| 28.14.8 | Notes on Starting Transfer..... | 815 |
| 28.14.9 | External Clock Input in Clock Synchronous Mode and Simple SPI Mode..... | 815 |
| 28.14.10 | Limitations on Simple SPI Mode..... | 815 |
| 29. | I ² C Bus Interface (IIC)..... | 817 |
| 29.1 | Overview..... | 817 |
| 29.2 | Register Descriptions..... | 820 |
| 29.2.1 | I ² C Bus Control Register 1 (ICCR1)..... | 820 |
| 29.2.2 | I ² C Bus Control Register 2 (ICCR2)..... | 822 |
| 29.2.3 | I ² C Bus Mode Register 1 (ICMR1)..... | 825 |
| 29.2.4 | I ² C Bus Mode Register 2 (ICMR2)..... | 826 |
| 29.2.5 | I ² C Bus Mode Register 3 (ICMR3)..... | 827 |
| 29.2.6 | I ² C Bus Function Enable Register (ICFER)..... | 829 |
| 29.2.7 | I ² C Bus Status Enable Register (ICSER)..... | 830 |
| 29.2.8 | I ² C Bus Interrupt Enable Register (ICIER)..... | 831 |
| 29.2.9 | I ² C Bus Status Register 1 (ICSR1)..... | 832 |
| 29.2.10 | I ² C Bus Status Register 2 (ICSR2)..... | 834 |
| 29.2.11 | I ² C Bus Wakeup Unit Register (ICWUR)..... | 838 |
| 29.2.12 | I ² C Bus Wakeup Unit Register 2 (ICWUR2)..... | 839 |
| 29.2.13 | Slave Address Register Ly (SARLy) (y = 0 to 2)..... | 840 |
| 29.2.14 | Slave Address Register Uy (SARUy) (y = 0 to 2)..... | 840 |
| 29.2.15 | I ² C Bus Bit Rate Low-Level Register (ICBRL)..... | 841 |
| 29.2.16 | I ² C Bus Bit Rate High-Level Register (ICBRH)..... | 842 |
| 29.2.17 | I ² C Bus Transmit Data Register (ICDRT)..... | 843 |
| 29.2.18 | I ² C Bus Receive Data Register (ICDRR)..... | 843 |
| 29.2.19 | I ² C Bus Shift Register (ICDRS)..... | 844 |
| 29.3 | Operation..... | 844 |
| 29.3.1 | Communication Data Format..... | 844 |
| 29.3.2 | Initial Settings..... | 845 |
| 29.3.3 | Master Transmit Operation..... | 846 |
| 29.3.4 | Master Receive Operation..... | 850 |
| 29.3.5 | Slave Transmit Operation..... | 855 |
| 29.3.6 | Slave Receive Operation..... | 858 |
| 29.4 | SCL Synchronization Circuit..... | 860 |
| 29.5 | SDA Output Delay Function..... | 861 |
| 29.6 | Digital Noise Filter Circuits..... | 861 |
| 29.7 | Address Match Detection..... | 862 |
| 29.7.1 | Slave-Address Match Detection..... | 862 |

| | | |
|---------|---------------------------------------------------------------------------------|-----|
| 29.7.2 | Detection of General Call Address | 865 |
| 29.7.3 | Device ID Address Detection..... | 865 |
| 29.7.4 | Host Address Detection..... | 866 |
| 29.8 | Wakeup Function..... | 867 |
| 29.8.1 | Normal Wakeup Mode 1..... | 868 |
| 29.8.2 | Normal Wakeup Mode 2..... | 871 |
| 29.8.3 | Command Recovery Mode/ EEP Response Mode (Special Wakeup Mode)..... | 873 |
| 29.8.4 | Precautions for WFI Instruction Execution | 876 |
| 29.9 | Automatic Low-Hold Function for SCL..... | 876 |
| 29.9.1 | Function to Prevent Wrong Transmission of Transmit Data..... | 876 |
| 29.9.2 | NACK Reception Transfer Suspension Function | 877 |
| 29.9.3 | Function to Prevent Failure to Receive Data..... | 878 |
| 29.10 | Master Arbitration-Lost Detection Functions..... | 879 |
| 29.10.1 | Master Arbitration-Lost Detection (MALE Bit)..... | 879 |
| 29.10.2 | Function to Detect Loss of Arbitration during NACK Transmission (NALE Bit)..... | 881 |
| 29.10.3 | Slave Arbitration-Lost Detection (SALE Bit) | 882 |
| 29.11 | Start, Restart, and Stop Condition Issuing Function..... | 883 |
| 29.11.1 | Issuing a Start Condition | 883 |
| 29.11.2 | Issuing a Restart Condition | 883 |
| 29.11.3 | Issuing a Stop Condition..... | 885 |
| 29.12 | Bus Hanging | 886 |
| 29.12.1 | Timeout Function..... | 886 |
| 29.12.2 | Extra SCL Clock Cycle Output Function..... | 887 |
| 29.12.3 | IIC Reset and Internal Reset | 888 |
| 29.13 | SMBus Operation | 888 |
| 29.13.1 | SMBus Timeout Measurement | 888 |
| 29.13.2 | Packet Error Code (PEC) | 889 |
| 29.13.3 | SMBus Host Notification Protocol (Notify ARP Master Command)..... | 890 |
| 29.14 | Interrupt Sources | 890 |
| 29.14.1 | Buffer Operation for IICn_TXI and IICn_RXI Interrupts | 891 |
| 29.15 | Register States when Issuing Each Condition..... | 891 |
| 29.16 | Event Link Output | 892 |
| 29.16.1 | Interrupt Handling and Event Linking | 892 |
| 29.17 | Usage Notes | 892 |
| 29.17.1 | Setting for the Module-Stop State | 892 |
| 29.17.2 | Notes on Starting Transfer | 892 |
| 30. | Controller Area Network (CAN) Module..... | 893 |
| 30.1 | Overview..... | 893 |
| 30.2 | Register Descriptions..... | 895 |
| 30.2.1 | Control Register (CTLR) | 895 |
| 30.2.2 | Bit Configuration Register (BCR) | 898 |

| | | |
|---------|-------------------------------------------------------------------------------------|-----|
| 30.2.3 | Mask Register k (MKRk) (k = 0 to 7) | 900 |
| 30.2.4 | FIFO Received ID Compare Registers 0 and 1 (FIDCR0 and FIDCR1) | 900 |
| 30.2.5 | Mask Invalid Register (MKIVLR) | 902 |
| 30.2.6 | Mailbox Register j (MBj_ID, MBj_DL, MBj_Dm, MBj_TS) (j = 0 to 31, m = 0 to 7) | 902 |
| 30.2.7 | Mailbox Interrupt Enable Register (MIER) | 906 |
| 30.2.8 | Mailbox Interrupt Enable Register for FIFO Mailbox Mode (MIER_FIFO) | 907 |
| 30.2.9 | Message Control Registers for Transmit (MCTL_TXj) (j = 0 to 31) | 908 |
| 30.2.10 | Message Control Register for Receive (MCTL_RXj) (j = 0 to 31) | 910 |
| 30.2.11 | Receive FIFO Control Register (RFCR) | 911 |
| 30.2.12 | Receive FIFO Pointer Control Register (RFPCR) | 913 |
| 30.2.13 | Transmit FIFO Control Register (TFCR) | 914 |
| 30.2.14 | Transmit FIFO Pointer Control Register (TFPCR) | 915 |
| 30.2.15 | Status Register (STR) | 916 |
| 30.2.16 | Mailbox Search Mode Register (MSMR) | 918 |
| 30.2.17 | Mailbox Search Status Register (MSSR) | 918 |
| 30.2.18 | Channel Search Support Register (CSSR) | 919 |
| 30.2.19 | Acceptance Filter Support Register (AFSR) | 920 |
| 30.2.20 | Error Interrupt Enable Register (EIER) | 921 |
| 30.2.21 | Error Interrupt Factor Judge Register (EIFR) | 922 |
| 30.2.22 | Receive Error Count Register (RECR) | 924 |
| 30.2.23 | Transmit Error Count Register (TECR) | 924 |
| 30.2.24 | Error Code Store Register (ECSR) | 925 |
| 30.2.25 | Time Stamp Register (TSR) | 926 |
| 30.2.26 | Test Control Register (TCR) | 926 |
| 30.3 | Modes of Operation | 928 |
| 30.3.1 | CAN Reset Mode | 928 |
| 30.3.2 | CAN Halt Mode | 929 |
| 30.3.3 | CAN Sleep Mode | 930 |
| 30.3.4 | CAN Operation Mode (Excluding Bus-Off State) | 930 |
| 30.3.5 | CAN Operation Mode (Bus-Off State) | 931 |
| 30.4 | Data Transfer Rate Configuration | 932 |
| 30.4.1 | Clock Setting | 932 |
| 30.4.2 | Bit Time Setting | 932 |
| 30.4.3 | Data Transfer Rate | 932 |
| 30.5 | Mailbox and Mask Register Structure | 933 |
| 30.6 | Acceptance Filtering and Masking Functions | 934 |
| 30.7 | Reception and Transmission | 936 |
| 30.7.1 | Reception | 937 |
| 30.7.2 | Transmission | 938 |
| 30.8 | Interrupt | 939 |
| 30.9 | Usage Notes | 940 |

| | | |
|----------|----------------------------------------------------------------------------------------|-----|
| 30.9.1 | Setting for the Module-Stop State | 940 |
| 30.9.2 | Setting for Operating Clock | 940 |
| 31. | Serial Peripheral Interface (SPI) | 941 |
| 31.1 | Overview | 941 |
| 31.2 | Register Descriptions | 944 |
| 31.2.1 | SPI Control Register (SPCR) | 944 |
| 31.2.2 | SPI Slave Select Polarity Register (SSLP) | 946 |
| 31.2.3 | SPI Pin Control Register (SPPCR) | 946 |
| 31.2.4 | SPI Status Register (SPSR) | 947 |
| 31.2.5 | SPI Data Register (SPDR/SPDR_HA) | 949 |
| 31.2.6 | SPI Bit Rate Register (SPBR) | 951 |
| 31.2.7 | SPI Data Control Register (SPDCR) | 952 |
| 31.2.8 | SPI Clock Delay Register (SPCKD) | 953 |
| 31.2.9 | SPI Slave Select Negation Delay Register (SSLND) | 953 |
| 31.2.10 | SPI Next-Access Delay Register (SPND) | 954 |
| 31.2.11 | SPI Control Register 2 (SPCR2) | 954 |
| 31.2.12 | SPI Command Register 0 (SPCMD0) | 955 |
| 31.3 | Operation | 957 |
| 31.3.1 | Overview of SPI Operations | 957 |
| 31.3.2 | Controlling the SPI Pins | 958 |
| 31.3.3 | SPI System Configuration Examples | 959 |
| 31.3.3.1 | Single master and single slave with the MCU configured as a master | 959 |
| 31.3.3.2 | Single master and single slave with the MCU configured as a slave | 960 |
| 31.3.3.3 | Single master and multi-slave with the MCU configured as a master | 961 |
| 31.3.3.4 | Single master and multi-slave with the MCU configured as a slave | 962 |
| 31.3.3.5 | Multi-master and multi-slave with the MCU configured as a master | 963 |
| 31.3.3.6 | Clock synchronous master/slave configuration with the MCU configured as a master | 964 |
| 31.3.3.7 | Master and slave in clock synchronous mode with the MCU configured as a slave | 965 |
| 31.3.4 | Data Format | 965 |
| 31.3.4.1 | Operation when parity is disabled (SPCR2.SPPE = 0) | 966 |
| 31.3.4.2 | When parity is enabled (SPCR2.SPPE = 1) | 970 |
| 31.3.5 | Transfer Format | 974 |
| 31.3.5.1 | CPHA = 0 | 974 |
| 31.3.5.2 | CPHA = 1 | 975 |
| 31.3.6 | Data Transfer Modes | 976 |
| 31.3.6.1 | Full-duplex synchronous serial communications (SPCR.TXMD = 0) | 976 |
| 31.3.6.2 | Transmit-only operations (SPCR.TXMD = 1) | 977 |
| 31.3.7 | Transmit Buffer Empty and Receive Buffer Full Interrupts | 977 |
| 31.3.8 | Error Detection | 979 |
| 31.3.8.1 | Overrun errors | 980 |

| | | |
|-----------|---------------------------------------------------------------------------------|------|
| 31.3.8.2 | Parity errors | 982 |
| 31.3.8.3 | Mode fault errors | 982 |
| 31.3.8.4 | Underrun errors | 983 |
| 31.3.9 | Initializing the SPI | 983 |
| 31.3.9.1 | Initialization by clearing the SPE bit | 983 |
| 31.3.9.2 | Initialization by system reset | 983 |
| 31.3.10 | SPI Operation | 983 |
| 31.3.10.1 | Master mode operation | 983 |
| 31.3.10.2 | Slave mode operation | 989 |
| 31.3.11 | Clock Synchronous Operation | 993 |
| 31.3.11.1 | Master mode operation | 993 |
| 31.3.11.2 | Slave mode operation | 996 |
| 31.3.12 | Loopback Mode | 997 |
| 31.3.13 | Self-Diagnosis of Parity Bit Function | 998 |
| 31.3.14 | Interrupt Sources | 1000 |
| 31.4 | Event Link Operation | 1000 |
| 31.4.1 | Receive Buffer Full Event Output | 1001 |
| 31.4.2 | Transmit Buffer Empty Event Output | 1001 |
| 31.4.3 | Mode Fault, Underrun, Overrun, or Parity Error Event Output | 1001 |
| 31.4.4 | SPI Idle Event Output | 1001 |
| 31.4.5 | Transmission-Completed Event Output | 1001 |
| 31.5 | Usage Notes | 1002 |
| 31.5.1 | Settings for the Module-Stop State | 1002 |
| 31.5.2 | Constraint on Low Power Consumption Functions | 1002 |
| 31.5.3 | Constraint on Starting Transfer | 1002 |
| 31.5.4 | Constraint on Mode Fault, Underrun, Overrun, or Parity Error Event Output | 1002 |
| 31.5.5 | Constraint on SPRF/SPTEF Flag | 1002 |
| 32. | Cyclic Redundancy Check (CRC) Calculator | 1003 |
| 32.1 | Overview | 1003 |
| 32.2 | Register Descriptions | 1004 |
| 32.2.1 | CRC Control Register 0 (CRCCR0) | 1004 |
| 32.2.2 | CRC Control Register 1 (CRCCR1) | 1004 |
| 32.2.3 | CRC Data Input Register (CRCDIR/CRCDIR_BY) | 1005 |
| 32.2.4 | CRC Data Output Register (CRCDOR/CRCDOR_HA/CRCDOR_BY) | 1005 |
| 32.2.5 | Snoop Address Register (CRCSAR) | 1006 |
| 32.3 | Operation | 1006 |
| 32.3.1 | Basic Operation | 1006 |
| 32.3.2 | CRC Snoop | 1009 |
| 32.4 | Usage Notes | 1010 |
| 32.4.1 | Module-Stop State Setting | 1010 |
| 32.4.2 | Notes on Transmission | 1010 |

| | | |
|----------|---------------------------------------------|------|
| 33. | Serial Sound Interface Enhanced (SSIE)..... | 1011 |
| 33.1 | Overview..... | 1011 |
| 33.2 | SSIE Specifications | 1011 |
| 33.3 | Block Diagram | 1013 |
| 33.4 | Register Descriptions..... | 1014 |
| 33.4.1 | Control Register (SSICR)..... | 1014 |
| 33.4.2 | Status Register (SSISR)..... | 1023 |
| 33.4.3 | FIFO Control Register (SSIFCR)..... | 1033 |
| 33.4.4 | FIFO Status Register (SSIFSR)..... | 1039 |
| 33.4.5 | Transmit FIFO Data Register (SSIFTDR)..... | 1042 |
| 33.4.6 | Receive FIFO Data Register (SSIFRDR) | 1044 |
| 33.4.7 | TDM Mode Register (SSITDMR) | 1046 |
| 33.4.8 | Status Control Register (SSISCR) | 1050 |
| 33.5 | Communication Formats..... | 1050 |
| 33.5.1 | I ² S Format | 1051 |
| 33.5.2 | Monaural Format | 1052 |
| 33.5.2.1 | Short frame..... | 1052 |
| 33.5.2.2 | Long frame | 1053 |
| 33.6 | Communication Modes..... | 1053 |
| 33.6.1 | Slave Mode Communication..... | 1054 |
| 33.6.2 | Master Mode Communication..... | 1054 |
| 33.6.3 | Transmission | 1054 |
| 33.6.4 | Reception | 1054 |
| 33.6.5 | Transmission and Reception..... | 1054 |
| 33.7 | Operation..... | 1054 |
| 33.7.1 | Idle State | 1055 |
| 33.7.2 | Communication States | 1056 |
| 33.7.2.1 | Data communication state..... | 1057 |
| 33.7.2.2 | Padding communication | 1059 |
| 33.8 | Communication Operation..... | 1060 |
| 33.8.1 | Start Communication | 1060 |
| 33.8.2 | Transmission | 1062 |
| 33.8.3 | Reception | 1062 |
| 33.8.4 | Transmission and Reception..... | 1063 |
| 33.8.5 | Halt Communication | 1063 |
| 33.8.6 | Error Handling | 1064 |
| 33.8.7 | Resume Communication | 1065 |
| 33.9 | Interrupts..... | 1066 |
| 33.9.1 | SSIE0_SSIF Interrupt..... | 1067 |
| 33.9.2 | SSIE0_SSITXI Interrupt..... | 1067 |
| 33.9.3 | SSIE0_SSIRXI Interrupt | 1068 |

| | | |
|-----------|---------------------------------------------------------------------------------------------------------------------------------------------------------------------------------------------------------------------------------------------------------------------------------------------------------------------------------------------------------------|------|
| 33.10 | Software Resets | 1068 |
| 33.10.1 | Software Reset Procedure | 1068 |
| 33.11 | Notes | 1069 |
| 33.11.1 | Notes for Slave mode Communication | 1069 |
| 33.11.1.1 | ADCKE control | 1069 |
| 33.11.1.2 | SSILRCK/SSIFS pin..... | 1069 |
| 33.11.2 | Notes for Master Mode Communication | 1070 |
| 33.11.2.1 | ADCKE control | 1070 |
| 33.11.2.2 | LRCONT control..... | 1070 |
| 33.11.2.3 | BCKASTP control..... | 1070 |
| 33.11.3 | Notes for Communication Flow | 1070 |
| 33.11.3.1 | When an error interrupt is generated | 1070 |
| 33.11.3.2 | Transmit data empty interrupt | 1071 |
| 33.11.3.3 | Receive data full interrupt..... | 1071 |
| 33.11.3.4 | Switching transfer modes | 1071 |
| 33.11.3.5 | Resume communication after halting SSIE..... | 1071 |
| 33.11.4 | Write Access Restriction..... | 1071 |
| 33.11.4.1 | SSICR register | 1071 |
| 33.11.4.2 | SSISR register..... | 1071 |
| 33.11.4.3 | Communication state..... | 1072 |
| 34. | Boundary Scan | 1073 |
| 34.1 | Overview..... | 1073 |
| 34.2 | Register Descriptions..... | 1074 |
| 34.2.1 | Instruction Register (JTIR)..... | 1074 |
| 34.2.2 | ID Code Register (JTIDR) | 1075 |
| 34.2.3 | Bypass Register (JTBPR)..... | 1075 |
| 34.2.4 | Boundary Scan Register (JTBSR)..... | 1075 |
| 34.3 | Operations | 1076 |
| 34.3.1 | TAP Controller..... | 1076 |
| 34.3.2 | Commands | 1076 |
| 34.4 | Usage Note..... | 1078 |
| 35. | 14-Bit A/D Converter (ADC14)..... | 1079 |
| 35.1 | Overview..... | 1079 |
| 35.2 | Register Descriptions..... | 1082 |
| 35.2.1 | A/D Data Registers y (ADDRy), A/D Data Duplexing Register (ADDBLDR) , A/D Data Duplexing Register A (ADDBLDRA) , A/D Data Duplexing Register B (ADDBLDRB) , A/D Temperature Sensor Data Register (ADTSDR) , A/D Internal Reference Voltage Data Register (ADOCDR) | 1082 |
| 35.2.2 | A/D Self-Diagnosis Data Register (ADDRD)..... | 1086 |
| 35.2.3 | A/D Control Register (ADCSR) | 1088 |
| 35.2.4 | A/D Channel Select Register A0 (ADANSA0) | 1091 |
| 35.2.5 | A/D Channel Select Register A1 (ADANSA1) | 1092 |

| | | |
|----------|-------------------------------------------------------------------------------------------------------------------------------------------------------------------------------------------------------------------------------------------------------------------------------------------------------------------------------|------|
| 35.2.6 | A/D Channel Select Register B0 (ADANSB0) | 1092 |
| 35.2.7 | A/D Channel Select Register B1 (ADANSB1) | 1093 |
| 35.2.8 | A/D-Converted Value Addition/Average Channel Select Register 0 (ADADS0) | 1093 |
| 35.2.9 | A/D-Converted Value Addition/Average Channel Select Register 1 (ADADS1) | 1094 |
| 35.2.10 | A/D-Converted Value Addition/Average Count Select Register (ADADC) | 1095 |
| 35.2.11 | A/D Control Extended Register (ADCER) | 1096 |
| 35.2.12 | A/D Conversion Start Trigger Select Register (ADSTRGR) | 1097 |
| 35.2.13 | A/D Conversion Extended Input Control Register (ADEXICR) | 1099 |
| 35.2.14 | A/D Sampling State Register n (ADSSTRn) (n = 00 to 14, L, T, O) | 1100 |
| 35.2.15 | A/D Disconnection Detection Control Register (ADDISCR) | 1101 |
| 35.2.16 | A/D Group Scan Priority Control Register (ADGSPCR) | 1102 |
| 35.2.17 | A/D Compare Function Control Register (ADCMPCR) | 1103 |
| 35.2.18 | A/D Compare Function Window A Channel Select Register 0 (ADCMPANSR0) | 1104 |
| 35.2.19 | A/D Compare Function Window A Channel Select Register 1 (ADCMPANSR1) | 1105 |
| 35.2.20 | A/D Compare Function Window A Extended Input Select Register (ADCMPANSER) | 1105 |
| 35.2.21 | A/D Compare Function Window A Comparison Condition Setting Register 0 (ADCMP- PLR0) | 1106 |
| 35.2.22 | A/D Compare Function Window A Comparison Condition Setting Register 1 (ADCMP- PLR1) | 1108 |
| 35.2.23 | A/D Compare Function Window A Extended Input Comparison Condition Setting Regis- ter (ADCMPLER) | 1108 |
| 35.2.24 | A/D Compare Function Window A Lower-Side Level Setting Register (ADCMPDR0), A/D Compare Function Window A Upper-Side Level Setting Register (ADCMPDR1), A/D Compare Function Window B Lower-Side Level Setting Register (ADWINLLB), A/D Compare Function Window B Upper-Side Level Setting Register (ADWINULB) | 1109 |
| 35.2.25 | A/D Compare Function Window A Channel Status Register 0 (ADCMPSR0) | 1111 |
| 35.2.26 | A/D Compare Function Window A Channel Status Register 1 (ADCMPSR1) | 1111 |
| 35.2.27 | A/D Compare Function Window A Extended Input Channel Status Register (ADCMP- SER) | 1112 |
| 35.2.28 | A/D Compare Function Window B Channel Select Register (ADCMPBNSR) | 1113 |
| 35.2.29 | A/D Compare Function Window B Status Register (ADCMPBSR) | 1114 |
| 35.2.30 | A/D Compare Function Window A/B Status Monitor Register (ADWINMON) | 1115 |
| 35.2.31 | A/D High-Potential/Low-Potential Reference Voltage Control Register (ADHVREFCNT) | 1116 |
| 35.3 | Operation | 1117 |
| 35.3.1 | Scanning Operation | 1117 |
| 35.3.2 | Single Scan Mode | 1118 |
| 35.3.2.1 | Basic operation | 1118 |
| 35.3.2.2 | Channel selection and self-diagnosis | 1118 |
| 35.3.2.3 | A/D conversion of temperature sensor output/internal reference voltage | 1119 |
| 35.3.2.4 | A/D conversion in double trigger mode | 1120 |
| 35.3.2.5 | Extended operations when double trigger mode is selected | 1121 |
| 35.3.3 | Continuous Scan Mode | 1122 |

| | | |
|----------|-------------------------------------------------------------------------------------------------------------|------|
| 35.3.3.1 | Basic operation..... | 1122 |
| 35.3.3.2 | Channel selection and self-diagnosis..... | 1123 |
| 35.3.4 | Group Scan Mode | 1124 |
| 35.3.4.1 | Basic operation..... | 1124 |
| 35.3.4.2 | A/D conversion in double trigger mode | 1125 |
| 35.3.4.3 | Operation with group A priority control | 1126 |
| 35.3.5 | Compare Function for Window A and Window B | 1134 |
| 35.3.5.1 | Compare function | 1134 |
| 35.3.5.2 | Event output of compare function..... | 1135 |
| 35.3.5.3 | Restrictions on the compare function | 1137 |
| 35.3.6 | Analog Input Sampling and Scan Conversion Time | 1137 |
| 35.3.7 | Usage Example of A/D Data Register Automatic Clearing Function | 1140 |
| 35.3.8 | A/D-Converted Value Addition/Average Mode | 1140 |
| 35.3.9 | Disconnection Detection Assist Function | 1141 |
| 35.3.10 | Starting A/D Conversion with Asynchronous Trigger | 1142 |
| 35.3.11 | Starting A/D Conversion with a Synchronous Trigger from Peripheral Module..... | 1143 |
| 35.4 | Interrupt Sources and DTC or DMAC Transfer Requests | 1143 |
| 35.4.1 | Interrupt Requests | 1143 |
| 35.5 | Event Link Function | 1144 |
| 35.5.1 | Event Output to the ELC..... | 1144 |
| 35.5.2 | ADC14 Operation through an Event from the ELC..... | 1144 |
| 35.6 | Selecting Reference Voltage | 1144 |
| 35.7 | A/D Conversion Procedure when Selecting Internal Reference Voltage as High-Potential Reference Voltage..... | 1144 |
| 35.8 | Usage Notes | 1145 |
| 35.8.1 | Notes on Reading Data Registers | 1145 |
| 35.8.2 | Notes on Stopping A/D Conversion..... | 1145 |
| 35.8.3 | A/D Conversion Restarting Timing and Termination Timing | 1146 |
| 35.8.4 | Restrictions on Scan End Interrupt Handling..... | 1146 |
| 35.8.5 | Settings for the Module-Stop State..... | 1146 |
| 35.8.6 | Restrictions on Entering Low Power States | 1147 |
| 35.8.7 | Error in Absolute Accuracy when Disconnection Detection Assistance is in Use | 1147 |
| 35.8.8 | ADHSC Bit Rewriting Procedure | 1147 |
| 35.8.9 | Notes on Operating Modes and Status Bits | 1147 |
| 35.8.10 | Notes on Board Design | 1147 |
| 35.8.11 | Notes on Noise Reduction..... | 1148 |
| 35.8.12 | Port Setting when Using the 14-bit A/D Converter Input | 1148 |
| 35.8.13 | Relationship between the ADC14, OPAMP, and ACMPLP..... | 1148 |
| 35.8.14 | Notes on Canceling Software Standby Mode..... | 1149 |
| 36. | 12-Bit D/A Converter (DAC12)..... | 1150 |
| 36.1 | Overview..... | 1150 |

| | | |
|--------|-------------------------------------------------------------------------------------------------|------|
| 36.2 | Register Descriptions..... | 1151 |
| 36.2.1 | D/A Data Register 0 (DADR0)..... | 1151 |
| 36.2.2 | D/A Control Register (DACR)..... | 1151 |
| 36.2.3 | DADR0 Format Select Register (DADPR)..... | 1152 |
| 36.2.4 | D/A A/D Synchronous Start Control Register (DAADSCR)..... | 1152 |
| 36.2.5 | D/A VREF Control Register (DAVREFCR)..... | 1153 |
| 36.3 | Operation..... | 1153 |
| 36.3.1 | Reducing Interference between D/A and A/D Conversion..... | 1154 |
| 36.3.2 | Notes on Using the Internal Reference Voltage as the Reference Voltage..... | 1156 |
| 36.4 | Event Link Operation Setting Procedure..... | 1156 |
| 36.5 | Usage Notes on Event Link Operation..... | 1156 |
| 36.6 | Usage Notes..... | 1157 |
| 36.6.1 | Settings for the Module-Stop Function..... | 1157 |
| 36.6.2 | DAC12 Operation in Module-Stop State..... | 1157 |
| 36.6.3 | DAC12 Operation in Software Standby Mode..... | 1157 |
| 36.6.4 | Restriction on Usage when Interference Reduction between D/A and A/D Conversion is Enabled..... | 1157 |
| 37. | Temperature Sensor (TSN)..... | 1158 |
| 37.1 | Overview..... | 1158 |
| 37.2 | Register Descriptions..... | 1158 |
| 37.2.1 | Temperature Sensor Calibration Data Register H (TSCDRH)..... | 1158 |
| 37.2.2 | Temperature Sensor Calibration Data Register L (TSCDRL)..... | 1159 |
| 37.3 | Using the Temperature Sensor..... | 1159 |
| 37.3.1 | Preparation for Using Temperature Sensor..... | 1159 |
| 37.3.2 | Procedure for Using the Temperature Sensor..... | 1160 |
| 38. | Operational Amplifier (OPAMP)..... | 1161 |
| 38.1 | Overview..... | 1161 |
| 38.2 | Register Descriptions..... | 1162 |
| 38.2.1 | Operational Amplifier Mode Control Register (AMPMC)..... | 1162 |
| 38.2.2 | Operational Amplifier Trigger Mode Control Register (AMPTRM)..... | 1163 |
| 38.2.3 | Operational Amplifier Activation Trigger Select Register (AMPTRS)..... | 1164 |
| 38.2.4 | Operational Amplifier Control Register (AMPC)..... | 1164 |
| 38.2.5 | Operational Amplifier Monitor Register (AMPMON)..... | 1165 |
| 38.3 | Operation..... | 1166 |
| 38.3.1 | State Transitions..... | 1166 |
| 38.3.2 | Operational Amplifier Control Operation..... | 1167 |
| 38.4 | Software Trigger Mode..... | 1170 |
| 38.5 | Activation Trigger Mode..... | 1171 |
| 38.6 | Activation and A/D Trigger Mode..... | 1172 |
| 38.7 | Usage Notes..... | 1173 |
| 39. | Low-Power Analog Comparator (ACMPLP)..... | 1174 |
| 39.1 | Overview..... | 1174 |

| | | |
|---------|--------------------------------------------------------------------|------|
| 39.2 | Register Descriptions..... | 1177 |
| 39.2.1 | ACMPLP Mode Setting Register (COMPMDR)..... | 1177 |
| 39.2.2 | ACMPLP Filter Control Register (COMPFIR)..... | 1178 |
| 39.2.3 | ACMPLP Output Control Register (COMPOCR)..... | 1178 |
| 39.2.4 | Comparator Input Select Register (COMPSEL0)..... | 1179 |
| 39.2.5 | Comparator Reference Voltage Select Register (COMPSEL1)..... | 1179 |
| 39.3 | Operation..... | 1180 |
| 39.4 | Noise Filter..... | 1182 |
| 39.5 | ACMPLP Interrupts..... | 1183 |
| 39.6 | ELC Event Output..... | 1184 |
| 39.7 | Interrupt Handling and ELC Linking..... | 1184 |
| 39.8 | Comparator Pin Output..... | 1184 |
| 39.9 | Usage Notes..... | 1184 |
| 39.9.1 | Settings for the Module-Stop State..... | 1184 |
| 39.9.2 | Relationship with A/D converter..... | 1184 |
| 40. | 8-Bit D/A Converter (DAC8)..... | 1185 |
| 40.1 | Overview..... | 1185 |
| 40.2 | Register Descriptions..... | 1185 |
| 40.2.1 | D/A Conversion Value Setting Register n (DACSn) (n = 0, 1)..... | 1185 |
| 40.2.2 | D/A Converter Mode Register (DAM)..... | 1186 |
| 40.3 | Operation..... | 1186 |
| 40.4 | Usage Notes..... | 1186 |
| 40.4.1 | Module-Stop State..... | 1186 |
| 40.4.2 | Operation of the 8-bit D/A Converter in Module-Stop State..... | 1186 |
| 40.4.3 | 8-bit D/A Converter in Software Standby Mode Operation..... | 1187 |
| 40.4.4 | When Not Using the D/A Converter..... | 1187 |
| 41. | Capacitive Touch Sensing Unit (CTSU)..... | 1188 |
| 41.1 | Overview..... | 1188 |
| 41.2 | Register Descriptions..... | 1190 |
| 41.2.1 | CTSU Control Register 0 (CTSUCR0)..... | 1190 |
| 41.2.2 | CTSU Control Register 1 (CTSUCR1)..... | 1191 |
| 41.2.3 | CTSU Synchronous Noise Reduction Setting Register (CTSUSDPRS)..... | 1192 |
| 41.2.4 | CTSU Sensor Stabilization Wait Control Register (CTSUSST)..... | 1193 |
| 41.2.5 | CTSU Measurement Channel Register 0 (CTSUMCH0)..... | 1194 |
| 41.2.6 | CTSU Measurement Channel Register 1 (CTSUMCH1)..... | 1196 |
| 41.2.7 | CTSU Channel Enable Control Register 0 (CTSUCHAC0)..... | 1197 |
| 41.2.8 | CTSU Channel Enable Control Register 1 (CTSUCHAC1)..... | 1197 |
| 41.2.9 | CTSU Channel Enable Control Register 2 (CTSUCHAC2)..... | 1198 |
| 41.2.10 | CTSU Channel Enable Control Register 3 (CTSUCHAC3)..... | 1198 |
| 41.2.11 | CTSU Channel Enable Control Register 4 (CTSUCHAC4)..... | 1199 |
| 41.2.12 | CTSU Channel Transmit/Receive Control Register 0 (CTSUCHTRC0)..... | 1199 |

| | | |
|----------|------------------------------------------------------------------------------|------|
| 41.2.13 | CTSU Channel Transmit/Receive Control Register 1 (CTSUCHTRC1) | 1200 |
| 41.2.14 | CTSU Channel Transmit/Receive Control Register 2 (CTSUCHTRC2) | 1200 |
| 41.2.15 | CTSU Channel Transmit/Receive Control Register 3 (CTSUCHTRC3) | 1201 |
| 41.2.16 | CTSU Channel Transmit/Receive Control Register 4 (CTSUCHTRC4) | 1201 |
| 41.2.17 | CTSU High-Pass Noise Reduction Control Register (CTSUDCLKC) | 1202 |
| 41.2.18 | CTSU Status Register (CTSUST) | 1202 |
| 41.2.19 | CTSU High-Pass Noise Reduction Spectrum Diffusion Control Register (CTSUSSC) | 1204 |
| 41.2.20 | CTSU Sensor Offset Register 0 (CTSUSO0) | 1205 |
| 41.2.21 | CTSU Sensor Offset Register 1 (CTSUSO1) | 1205 |
| 41.2.22 | CTSU Sensor Counter (CTSUSC) | 1207 |
| 41.2.23 | CTSU Reference Counter (CTSURC) | 1207 |
| 41.2.24 | CTSU Error Status Register (CTSUERRS) | 1208 |
| 41.3 | Operation | 1208 |
| 41.3.1 | Principles of Measurement Operation | 1208 |
| 41.3.2 | Measurement Modes | 1210 |
| 41.3.2.1 | Initial setting flow | 1211 |
| 41.3.2.2 | Status counter | 1212 |
| 41.3.2.3 | Self-capacitance single scan mode operation | 1213 |
| 41.3.2.4 | Self-capacitance multiscan mode operation | 1215 |
| 41.3.2.5 | Mutual-capacitance full scan mode operation | 1217 |
| 41.3.3 | Parameters Common to Multiple Modes | 1219 |
| 41.3.3.1 | Sensor stabilization wait time and measurement time | 1219 |
| 41.3.3.2 | Interrupts | 1220 |
| 41.4 | Usage Notes | 1221 |
| 41.4.1 | Measurement Result Data (CTSUSC and CTSURC Counters) | 1221 |
| 41.4.2 | Constraints on Software Trigger | 1221 |
| 41.4.3 | Constraints on External Triggers | 1222 |
| 41.4.4 | Constraints on Forced Stops | 1222 |
| 41.4.5 | TSCAP Pin | 1222 |
| 41.4.6 | Constraints on Measurement Operation (CTSUCR0.CTSUSTRT bit = 1) | 1222 |
| 42. | Data Operation Circuit (DOC) | 1223 |
| 42.1 | Overview | 1223 |
| 42.2 | Register Descriptions | 1224 |
| 42.2.1 | DOC Control Register (DOCR) | 1224 |
| 42.2.2 | DOC Data Input Register (DODIR) | 1225 |
| 42.2.3 | DOC Data Setting Register (DODSR) | 1225 |
| 42.3 | Operation | 1225 |
| 42.3.1 | Data Comparison Mode | 1225 |
| 42.3.2 | Data Addition Mode | 1226 |
| 42.3.3 | Data Subtraction Mode | 1226 |

| | | |
|----------|-----------------------------------------------------------------------|------|
| 42.4 | Interrupt Request and Output to the Event Link Controller (ELC) | 1227 |
| 42.5 | Usage Notes | 1227 |
| 42.5.1 | Settings for the Module-Stop State | 1227 |
| 43. | SRAM | 1228 |
| 43.1 | Overview | 1228 |
| 43.2 | Register Descriptions | 1228 |
| 43.2.1 | SRAM Parity Error Operation After Detection Register (PARIOAD) | 1228 |
| 43.2.2 | SRAM Protection Register (SRAMPRCR) | 1229 |
| 43.2.3 | ECC Operating Mode Control Register (ECCMODE) | 1229 |
| 43.2.4 | ECC 2-Bit Error Status Register (ECC2STS) | 1230 |
| 43.2.5 | ECC 1-Bit Error Information Update Enable Register (ECC1STSEN) | 1230 |
| 43.2.6 | ECC 1-Bit Error Status Register (ECC1STS) | 1231 |
| 43.2.7 | ECC Protection Register (ECCPRCR) | 1231 |
| 43.2.8 | ECC Protection Register 2 (ECCPRCR2) | 1232 |
| 43.2.9 | ECC Test Control Register (ECCETST) | 1232 |
| 43.2.10 | SRAM ECC Error Operation After Detection Register (ECCOAD) | 1233 |
| 43.3 | Operation | 1233 |
| 43.3.1 | Low Power Consumption Function | 1233 |
| 43.3.2 | ECC Function | 1233 |
| 43.3.3 | ECC Error Generation | 1234 |
| 43.3.4 | ECC Decoder Testing | 1234 |
| 43.3.5 | Parity Calculation Function | 1235 |
| 43.3.6 | SRAM Error Sources | 1237 |
| 43.3.7 | Access Cycles | 1238 |
| 43.4 | Usage Notes | 1238 |
| 43.4.1 | Instruction Fetch from SRAM Area | 1238 |
| 43.4.2 | SRAM Store Buffer | 1238 |
| 44. | Flash Memory | 1239 |
| 44.1 | Overview | 1239 |
| 44.2 | Memory Structure | 1240 |
| 44.3 | Flash Cache | 1241 |
| 44.3.1 | Overview | 1241 |
| 44.3.2 | Register Descriptions | 1242 |
| 44.3.2.1 | Flash Cache Enable Register (FCACHEE) | 1242 |
| 44.3.2.2 | Flash Cache Invalidate Register (FCACHEIV) | 1242 |
| 44.4 | Operation | 1243 |
| 44.4.1 | Notice to use Flash Cache | 1243 |
| 44.5 | Operating Modes Associated with the Flash Memory | 1243 |
| 44.5.1 | ID Code Protection | 1244 |
| 44.6 | Overview of Functions | 1244 |
| 44.6.1 | Configuration Area Bit Map | 1246 |

| | | |
|---------|----------------------------------------------------------------------------------|------|
| 44.6.2 | Startup Area Select | 1246 |
| 44.6.3 | Protection by Access Window | 1247 |
| 44.7 | Programming Commands..... | 1248 |
| 44.8 | Suspend Operation..... | 1248 |
| 44.9 | Protection..... | 1248 |
| 44.10 | Serial Programming Mode | 1248 |
| 44.10.1 | SCI Boot Mode | 1249 |
| 44.10.2 | USB Boot Mode..... | 1249 |
| 44.11 | Using a Serial Programmer | 1250 |
| 44.11.1 | Serial Programming..... | 1250 |
| 44.11.2 | Programming Environment..... | 1250 |
| 44.12 | Self-Programming..... | 1250 |
| 44.12.1 | Overview..... | 1250 |
| 44.12.2 | Background Operation..... | 1251 |
| 44.13 | Reading the Flash Memory..... | 1251 |
| 44.13.1 | Reading the Code Flash Memory..... | 1251 |
| 44.13.2 | Reading the Data Flash Memory..... | 1251 |
| 44.14 | Usage Notes | 1251 |
| 44.14.1 | Erase Suspended Area | 1251 |
| 44.14.2 | Suspension by Erase Suspend Commands | 1251 |
| 44.14.3 | Constraint on Additional Writes | 1252 |
| 44.14.4 | Reset during Programming and Erasure | 1252 |
| 44.14.5 | Non-Maskable Interrupt Disabled during Programming and Erasure..... | 1252 |
| 44.14.6 | Location of Interrupt Vectors during a Programming and Erasure Operation | 1252 |
| 44.14.7 | Programming and Erasure in Low-Speed Operating Mode..... | 1252 |
| 44.14.8 | Abnormal Termination during Programming and Erasure | 1252 |
| 44.14.9 | Actions Prohibited during Programming and Erasure | 1252 |
| 45. | Segment LCD Controller (SLCDC) | 1253 |
| 45.1 | Overview..... | 1253 |
| 45.2 | Register Descriptions..... | 1256 |
| 45.2.1 | LCD Mode Register 0 (LCDM0) | 1256 |
| 45.2.2 | LCD Mode Register 1 (LCDM1) | 1257 |
| 45.2.3 | LCD Clock Control Register 0 (LCDC0) | 1258 |
| 45.2.4 | LCD Boost Level Control Register (VLCD) | 1259 |
| 45.3 | LCD Display Data Registers | 1259 |
| 45.4 | Selection of LCD Display Data Register | 1262 |
| 45.4.1 | A-Pattern Area and B-pattern Area Data Display | 1262 |
| 45.4.2 | Blinking Display (Alternately Displaying A-Pattern and B-Pattern Area Data)..... | 1262 |
| 45.5 | Setting LCD Controller/Driver | 1263 |
| 45.6 | Operation Stop Procedure | 1267 |
| 45.7 | Supplying LCD Drive Voltages VL1, VL2, VL3, and VL4..... | 1267 |
| 45.7.1 | External Resistance Division Method | 1267 |

| | | |
|---------|--------------------------------------------------------------------------|------|
| 45.7.2 | Internal Voltage Boosting Method | 1269 |
| 45.7.3 | Capacitor Split Method | 1270 |
| 45.8 | Common and Segment Signals | 1271 |
| 45.9 | Display Modes | 1277 |
| 45.9.1 | Static Display Example | 1277 |
| 45.9.2 | Two-Time-Slice Display Example | 1280 |
| 45.9.3 | Three-Time-Slice Display Example | 1283 |
| 45.9.4 | Four-Time-Slice Display Example | 1287 |
| 45.9.5 | Eight-Time-Slice Display Example | 1291 |
| 46. | Secure Cryptographic Engine (SCE5) | 1296 |
| 46.1 | Overview | 1296 |
| 46.2 | Operation | 1298 |
| 46.2.1 | Encryption Engine | 1298 |
| 46.2.2 | Encryption and Decryption | 1299 |
| 46.3 | Usage Notes | 1299 |
| 46.3.1 | Software Standby Mode | 1299 |
| 46.3.2 | Settings for the Module-Stop Function | 1299 |
| 47. | Internal Voltage Regulator | 1300 |
| 47.1 | Overview | 1300 |
| 47.2 | Operation | 1300 |
| 48. | Electrical Characteristics | 1301 |
| 48.1 | Absolute Maximum Ratings | 1302 |
| 48.2 | DC Characteristics | 1304 |
| 48.2.1 | T _j /T _a Definition | 1304 |
| 48.2.2 | I/O V _{IH} , V _{IL} | 1304 |
| 48.2.3 | I/O I _{OH} , I _{OL} | 1306 |
| 48.2.4 | I/O V _{OH} , V _{OL} , and Other Characteristics | 1308 |
| 48.2.5 | I/O Pin Output Characteristics of Low Drive Capacity | 1310 |
| 48.2.6 | I/O Pin Output Characteristics of Middle Drive Capacity | 1312 |
| 48.2.7 | P408, P409 I/O Pin Output Characteristics of Middle Drive Capacity | 1315 |
| 48.2.8 | IIC I/O Pin Output Characteristics | 1317 |
| 48.2.9 | Operating and Standby Current | 1318 |
| 48.2.10 | VCC Rise and Fall Gradient and Ripple Frequency | 1328 |
| 48.3 | AC Characteristics | 1329 |
| 48.3.1 | Frequency | 1329 |
| 48.3.2 | Clock Timing | 1331 |
| 48.3.3 | Reset Timing | 1335 |
| 48.3.4 | Wakeup Time | 1336 |
| 48.3.5 | NMI and IRQ Noise Filter | 1340 |
| 48.3.6 | I/O Ports, POEG, GPT, AGT, KINT, and ADC14 Trigger Timing | 1341 |
| 48.3.7 | CAC Timing | 1342 |

| | | |
|------------------|---------------------------------------------|------|
| 48.3.8 | SCI Timing | 1343 |
| 48.3.9 | SPI Timing | 1349 |
| 48.3.10 | IIC Timing | 1354 |
| 48.3.11 | SSIE Timing..... | 1356 |
| 48.3.12 | CLKOUT Timing | 1358 |
| 48.4 | USB Characteristics..... | 1359 |
| 48.4.1 | USBFS Timing..... | 1359 |
| 48.4.2 | USB External Supply | 1360 |
| 48.5 | ADC14 Characteristics | 1361 |
| 48.6 | DAC12 Characteristics | 1371 |
| 48.7 | TSN Characteristics..... | 1373 |
| 48.8 | OSC Stop Detect Characteristics | 1373 |
| 48.9 | POR and LVD Characteristics | 1374 |
| 48.10 | VBATT Characteristics | 1378 |
| 48.11 | CTSU Characteristics | 1380 |
| 48.12 | Segment LCD Controller Characteristics..... | 1381 |
| 48.12.1 | Resistance Division Method | 1381 |
| 48.12.2 | Internal Voltage Boosting Method | 1381 |
| 48.12.3 | Capacitor Split Method | 1383 |
| 48.13 | Comparator Characteristics | 1384 |
| 48.14 | OPAMP Characteristics | 1385 |
| 48.15 | Flash Memory Characteristics | 1386 |
| 48.15.1 | Code Flash Memory Characteristics | 1386 |
| 48.15.2 | Data Flash Memory Characteristics | 1387 |
| 48.16 | Boundary Scan | 1388 |
| 48.17 | Joint Test Action Group (JTAG)..... | 1389 |
| 48.17.1 | Serial Wire Debug (SWD)..... | 1391 |
| Appendix 1. | Port States in Each Processing Mode | 1393 |
| Appendix 2. | Package Dimensions | 1396 |
| Appendix 3. | I/O Registers | 1403 |
| 3.1 | Peripheral Base Addresses | 1403 |
| 3.2 | Access Cycles | 1404 |
| 3.3 | Register Descriptions..... | 1406 |
| Revision History | | 1434 |

High efficiency 48-MHz Arm® Cortex®-M4 core, 256-KB code flash memory, 32-KB SRAM, Segment LCD Controller, Capacitive Touch Sensing Unit, USB 2.0 Full-Speed Module, 14-bit A/D Converter, 12-bit D/A Converter, security and safety features

Features

■ Arm Cortex-M4 Core with Floating Point Unit (FPU)

- Armv7E-M architecture with DSP instruction set
- Maximum operating frequency: 48 MHz
- Support for 4-GB address space
- Arm Memory Protection Unit (Arm MPU) with 8 regions
- Debug and Trace: ITM, DWT, FPB, TPIU, ETB
- CoreSight™ Debug Port: JTAG-DP and SW-DP

■ Memory

- 256-KB code flash memory
- 8-KB data flash memory (100,000 program/erase (P/E) cycles)
- 32-KB SRAM
- Flash Cache (FCACHE)
- Memory Protection Unit (MPU)
- 128-bit unique ID

■ Connectivity

- USB 2.0 Full-Speed Module (USBFS)
 - On-chip transceiver with voltage regulator
 - Compliant with USB Battery Charging Specification 1.2
- Serial Communications Interface (SCI) × 4
 - UART
 - Simple IIC
 - Simple SPI
- Serial Peripheral Interface (SPI) × 2
- I²C bus interface (IIC) × 2
- Controller Area Network (CAN) module
- Serial Sound Interface Enhanced (SSIE)

■ Analog

- 14-bit A/D Converter (ADC14)
- 12-bit D/A Converter (DAC12)
- 8-bit D/A Converter (DAC8) × 2 (for ACMPLP)
- Low-Power Analog Comparator (ACMPLP) × 2
- Operational Amplifier (OPAMP) × 4
- Temperature Sensor (TSN)

■ Timers

- General PWM Timer 32-Bit (GPT32) × 2
- General PWM Timer 16-Bit (GPT16) × 6
- Asynchronous General-Purpose Timer (AGT) × 2
- Watchdog Timer (WDT)

■ Safety

- Error Correction Code (ECC) in SRAM
- SRAM parity error check
- Flash area protection
- ADC self-diagnosis function
- Clock Frequency Accuracy Measurement Circuit (CAC)
- Cyclic Redundancy Check (CRC) calculator
- Data Operation Circuit (DOC)
- Port Output Enable for GPT (POEG)
- Independent Watchdog Timer (IWDT)
- GPIO readback level detection
- Register write protection
- Main oscillator stop detection
- Illegal memory access

■ System and Power Management

- Low power modes
- Realtime Clock (RTC) with calendar and Battery Backup support
- Event Link Controller (ELC)
- DMA Controller (DMAC) × 4
- Data Transfer Controller (DTC)
- Key Interrupt Function (KINT)
- Power-on reset
- Low Voltage Detection (LVD) with voltage settings

■ Security and Encryption

- AES128/256
- GHASH
- True Random Number Generator (TRNG)

■ Human Machine Interface (HMI)

- Segment LCD Controller (SLCDC)
 - Up to 38 segments × 4 commons
 - Up to 34 segments × 8 commons
- Capacitive Touch Sensing Unit (CTSUS)

■ Multiple Clock Sources

- Main clock oscillator (MOSC)
 - (1 to 20 MHz when VCC = 2.4 to 5.5 V)
 - (1 to 8 MHz when VCC = 1.8 to 2.4 V)
 - (1 to 4 MHz when VCC = 1.6 to 1.8 V)
- Sub-clock oscillator (SOSC) (32.768 kHz)
- High-speed on-chip oscillator (HOCO)
 - (24, 32, 48, 64 MHz when VCC = 2.4 to 5.5 V)
 - (24, 32, 48 MHz when VCC = 1.8 to 5.5 V)
 - (24, 32 MHz when VCC = 1.6 to 5.5 V)
- Middle-speed on-chip oscillator (MOCO) (8 MHz)
- Low-speed on-chip oscillator (LOCO) (32.768 kHz)
- IWDT-dedicated on-chip oscillator (15 kHz)
- Clock trim function for HOCO/MOCO/LOCO
- Clock out support

■ General Purpose I/O Ports

- Up to 84 input/output pins
 - Up to 3 CMOS input
 - Up to 81 CMOS input/output
 - Up to 9 input/output 5-V tolerant
 - Up to 2 high current (20 mA)

■ Operating Voltage

- VCC: 1.6 to 5.5 V

■ Operating Temperature and Packages

- Ta = -40°C to +85°C
 - 100-pin LGA (7 mm × 7 mm, 0.65 mm pitch)
- Ta = -40°C to +105°C
 - 100-pin LQFP (14 mm × 14 mm, 0.5 mm pitch)
 - 64-pin LQFP (10 mm × 10 mm, 0.5 mm pitch)
 - 64-pin QFN (8 mm × 8 mm, 0.4 mm pitch)
 - 48-pin LQFP (7 mm × 7 mm, 0.5 mm pitch)
 - 48-pin QFN (7 mm × 7 mm, 0.5 mm pitch)
 - 40-pin QFN (6 mm × 6 mm, 0.5 mm pitch)

1. Overview

The MCU integrates multiple series of software- and pin-compatible Arm®-based 32-bit cores that share a common set of Renesas peripherals to facilitate design scalability and efficient platform-based product development.

The MCU provides an optimal combination of low-power, high-performance Arm Cortex®-M4 core running up to 48 MHz with the following features:

- 256-KB code flash memory
- 32-KB SRAM
- Segment LCD Controller (SLCDC)
- Capacitive Touch Sensing Unit (CTSU)
- USB 2.0 Full-Speed Module (USBFS)
- 14-bit A/D Converter (ADC14)
- 12-bit D/A Converter (DAC12)
- Security features.

1.1 Function Outline

Table 1.1 Arm core

| Feature | Functional description |
|--------------------|----------------------------------------------------------------------------------------------------------------------------------------------------------------------------------------------------------------------------------------------------------------------------------------------------------------------------------------------------------------------------------------------------------------------------------------------------------------------------------------------------------------------------------------------------------------------------------------------------------------------------------------------------------------------------------------|
| Arm Cortex-M4 core | <ul style="list-style-type: none"> • Maximum operating frequency: up to 48 MHz • Arm Cortex-M4 core <ul style="list-style-type: none"> - Revision: r0p1-01rel0 - Armv7E-M architecture profile - Single precision floating-point unit compliant with the ANSI/IEEE Std 754-2008. • Arm Memory Protection Unit (Arm MPU) <ul style="list-style-type: none"> - Armv7 Protected Memory System Architecture - 8 protected regions. • SysTick timer <ul style="list-style-type: none"> - Driven by SYSTICCLK (LOCO) or ICLK. |

Table 1.2 Memory

| Feature | Functional description |
|-----------------------|----------------------------------------------------------------------------------------------------------------------------------------------------------------------------------------|
| Code flash memory | Maximum 256-KB code flash memory. See section 44, Flash Memory . |
| Data flash memory | 8-KB data flash memory. See section 44, Flash Memory . |
| Option-setting memory | The option-setting memory determines the state of the MCU after a reset. See section 6, Option-Setting Memory . |
| SRAM | On-chip high-speed SRAM with either parity bit or Error Correction Code (ECC). An area in SRAM0 provides error correction capability using ECC. See section 43, SRAM . |

Table 1.3 System (1 of 2)

| Feature | Functional description |
|----------------------------------------------------|--------------------------------------------------------------------------------------------------------------------------------------------------------------------------------------------------------------------------------------------------------------------------------------------------------------------------------------------------------------------------------------------------------------------------------------------------------------------------------------------------------------------------------------------------------------------------------------------------------------------------------|
| Operating modes | Two operating modes: <ul style="list-style-type: none"> • Single-chip mode • SCI/USB boot mode. See section 3, Operating Modes . |
| Resets | 14 resets: <ul style="list-style-type: none"> • RES pin reset • Power-on reset • VBATT-selected voltage power-on reset • Independent watchdog timer reset • Watchdog timer reset • Voltage monitor 0 reset • Voltage monitor 1 reset • Voltage monitor 2 reset • SRAM parity error reset • SRAM ECC error reset • Bus master MPU error reset • Bus slave MPU error reset • CPU stack pointer error reset • Software reset. See section 5, Resets . |
| Low Voltage Detection (LVD) | Low Voltage Detection (LVD) function monitors the voltage level input to the VCC pin, and the detection level can be selected using a software program. See section 7, Low Voltage Detection (LVD) . |
| Clocks | <ul style="list-style-type: none"> • Main clock oscillator (MOSC) • Sub-clock oscillator (SOSC) • High-speed on-chip oscillator (HOCO) • Middle-speed on-chip oscillator (MOCO) • Low-speed on-chip oscillator (LOCO) • PLL frequency synthesizer • IWDT-dedicated on-chip oscillator • Clock out support. See section 8, Clock Generation Circuit . |
| Clock Frequency Accuracy Measurement Circuit (CAC) | The Clock Frequency Accuracy Measurement Circuit (CAC) counts pulses of the clock to be measured (measurement target clock) within the time generated by the clock to be used as a measurement reference (measurement reference clock), and determines the accuracy depending on whether the number of pulses is within the allowable range. When measurement is complete or the number of pulses within the time generated by the measurement reference clock is not within the allowable range, an interrupt request is generated. See section 9, Clock Frequency Accuracy Measurement Circuit (CAC) . |
| Interrupt Controller Unit (ICU) | The Interrupt Controller Unit (ICU) controls which event signals are linked to the NVIC/DTC module and DMAC module. The ICU also controls NMI interrupts. See section 13, Interrupt Controller Unit (ICU) . |
| Key Interrupt Function (KINT) | A key interrupt can be generated by setting the Key Return Mode Register (KRM) and inputting a rising or falling edge to the key interrupt input pins. See section 20, Key Interrupt Function (KINT) . |
| Low power modes | Power consumption can be reduced in multiple ways, such as by setting clock dividers, stopping modules, selecting power control mode in normal operation, and transitioning to low power modes. See section 10, Low Power Modes . |
| Battery backup function | A battery backup function is provided for partial powering by a battery. The battery powered area includes RTC, SOSC, LOCO, wakeup control, backup memory, VBATT_R low voltage detection, and switches between VCC and VBATT. During normal operation, the battery powered area is powered by the main power supply, which is the VCC pin. When a VCC voltage drop is detected, the power source is switched to the dedicated battery backup power pin, the VBATT pin. When the voltage rises again, the power source is switched from the VBATT pin to the VCC pin. See section 11, Battery Backup Function . |
| Register write protection | The register write protection function protects important registers from being overwritten because of software errors. See section 12, Register Write Protection . |

Table 1.3 System (2 of 2)

| Feature | Functional description |
|-----------------------------------|----------------------------------------------------------------------------------------------------------------------------------------------------------------------------------------------------------------------------------------------------------------------------------------------------------------------------------------------------------------------------------------------------------------------------------------------------------------------------------------------------------------------------------------------------------------------------------------------------------------------------------------------------------------|
| Memory Protection Unit (MPU) | Four Memory Protection Units (MPUs) and a CPU stack pointer monitor function are provided for memory protection. See section 15, Memory Protection Unit (MPU) . |
| Watchdog Timer (WDT) | The Watchdog Timer (WDT) is a 14-bit down-counter. It can be used to reset the MCU when the counter underflows because the system has run out of control and is unable to refresh the WDT. In addition, a non-maskable interrupt or interrupt can be generated by an underflow. A refresh-permitted period can be set to refresh the counter and used as the condition to detect when the system runs out of control. See section 25, Watchdog Timer (WDT) . |
| Independent Watchdog Timer (IWDT) | The Independent Watchdog Timer (IWDT) consists of a 14-bit down-counter that must be serviced periodically to prevent counter underflow. It can be used to reset the MCU or to generate a non-maskable interrupt/interrupt for a timer underflow. Because the timer operates with an independent, dedicated clock source, it is particularly useful in returning the MCU to a known state as a fail-safe mechanism when the system runs out of control. The IWDT can be triggered automatically on a reset, underflow, refresh error, or by a refresh of the count value in the registers. See section 26, Independent Watchdog Timer (IWDT) . |

Table 1.4 Event link

| Feature | Functional description |
|-----------------------------|----------------------------------------------------------------------------------------------------------------------------------------------------------------------------------------------------------------------------------------------------------------------------------------------------|
| Event Link Controller (ELC) | The Event Link Controller (ELC) uses the interrupt requests generated by various peripheral modules as event signals to connect them to different modules, enabling direct interaction between the modules without CPU intervention. See section 18, Event Link Controller (ELC) . |

Table 1.5 Direct memory access

| Feature | Functional description |
|--------------------------------|--------------------------------------------------------------------------------------------------------------------------------------------------------------------------------------------------------------------------------------------------------------------------------------------------|
| Data Transfer Controller (DTC) | A Data Transfer Controller (DTC) module is provided for transferring data when activated by an interrupt request. See section 17, Data Transfer Controller (DTC) . |
| DMA Controller (DMAC) | A 4-channel DMA Controller (DMAC) module is provided for transferring data without the CPU. When a DMA transfer request is generated, the DMAC transfers data stored at the transfer source address to the transfer destination address. See section 16, DMA Controller (DMAC) . |

Table 1.6 Timers

| Feature | Functional description |
|------------------------------------------|-------------------------------------------------------------------------------------------------------------------------------------------------------------------------------------------------------------------------------------------------------------------------------------------------------------------------------------------------------------------------------------------------------------------------------------------------------------------------------------------------------------------------|
| General PWM Timer (GPT) | The General PWM Timer (GPT) is a 32-bit timer with 2 channels and a 16-bit timer with 6 channels. PWM waveforms can be generated by controlling the up-counter, down-counter, or the up- and down-counter. In addition, PWM waveforms can be generated for controlling brushless DC motors. The GPT can also be used as a general-purpose timer. See section 22, General PWM Timer (GPT) . |
| Port Output Enable for GPT (POEG) | Use the Port Output Enable for GPT (POEG) function to place the General PWM Timer (GPT) output pins in the output disable state. See section 21, Port Output Enable for GPT (POEG) . |
| Asynchronous General Purpose Timer (AGT) | The Asynchronous General Purpose Timer (AGT) is a 16-bit timer that can be used for pulse output, external pulse width or period measurement, and counting of external events. This 16-bit timer consists of a reload register and a down-counter. The reload register and the down-counter are allocated to the same address, and they can be accessed with the AGT register. See section 23, Asynchronous General Purpose Timer (AGT) . |
| Realtime Clock (RTC) | The Realtime Clock (RTC) has two counting modes, calendar count mode and binary count mode, that are controlled by the register settings. For calendar count mode, the RTC has a 100-year calendar from 2000 to 2099 and automatically adjusts dates for leap years. For binary count mode, the RTC counts seconds and retains the information as a serial value. Binary count mode can be used for calendars other than the Gregorian (Western) calendar. See section 24, Realtime Clock (RTC) . |

Table 1.7 Communication interfaces (1 of 2)

| Feature | Functional description |
|----------------------------------------|---------------------------------------------------------------------------------------------------------------------------------------------------------------------------------------------------------------------------------------------------------------------------------------------------------------------------------------------------------------------------------------------------------------------------------------------------------------------------------------------------------------------------------------------------------------------------------------------------------------------------------------------------------------------------------------------------------------------------------------------------------------------------------------------|
| Serial Communications Interface (SCI) | The Serial Communications Interface (SCI) is configurable to five asynchronous and synchronous serial interfaces: <ul style="list-style-type: none"> • Asynchronous interfaces (UART and asynchronous communications interface adapter (ACIA)) • 8-bit clock synchronous interface • Simple IIC (master-only) • Simple SPI • Smart card interface. The smart card interface complies with the ISO/IEC 7816-3 standard for electronic signals and transmission protocol. SCI0 and SCI1 have FIFO buffers to enable continuous and full-duplex communication, and the data transfer speed can be configured independently using an on-chip baud rate generator. See section 28, Serial Communications Interface (SCI) . |
| I ² C Bus Interface (IIC) | The 3-channel I ² C Bus Interface (IIC) module conforms with and provides a subset of the NXP I ² C bus (Inter-Integrated Circuit bus) interface functions. See section 29, I²C Bus Interface (IIC) . |
| Serial Peripheral Interface (SPI) | Two independent Serial Peripheral Interface (SPI) channels are capable of high-speed, full-duplex synchronous serial communications with multiple processors and peripheral devices. See section 31, Serial Peripheral Interface (SPI) . |
| Serial Sound Interface Enhanced (SSIE) | The Serial Sound Interface Enhanced (SSIE) peripheral provides functionality to interface with digital audio devices for transmitting PCM audio data over a serial bus with the MCU. The SSIE supports an audio clock frequency of up to 50 MHz, and can be operated as a slave or master receiver, transmitter, or transceiver to suit various applications. The SSIE includes 8-stage FIFO buffers in the receiver and transmitter, and supports interrupts and DMA-driven data reception and transmission. See section 33, Serial Sound Interface Enhanced (SSIE) . |
| Controller Area Network (CAN) module | The Controller Area Network (CAN) module provides functionality to receive and transmit data using a message-based protocol between multiple slaves and masters in electromagnetically noisy applications. The CAN module complies with the ISO 11898-1 (CAN 2.0A/CAN 2.0B) standard and supports up to 32 mailboxes, which can be configured for transmission or reception in normal mailbox and FIFO modes. Both standard (11-bit) and extended (29-bit) messaging formats are supported. See section 30, Controller Area Network (CAN) Module . |

Table 1.7 Communication interfaces (2 of 2)

| Feature | Functional description |
|-----------------------------------|----------------------------------------------------------------------------------------------------------------------------------------------------------------------------------------------------------------------------------------------------------------------------------------------------------------------------------------------------------------------------------------------------------------------------------------------------------------------------------------------------------------------------------------------------------------------------------------------------------------------------------------------------------------------------------------------------------------------------------------------------------------------------------------------------------------------------------------------------------------------------|
| USB 2.0 Full-Speed Module (USBFS) | The USB 2.0 Full-Speed Module (USBFS) can operate as a host controller or device controller. The module supports full-speed and low-speed (only for the host controller) transfer as defined in the Universal Serial Bus Specification 2.0. The module has an internal USB transceiver and supports all of the transfer types defined in the Universal Serial Bus Specification 2.0. The USB has buffer memory for data transfer, providing a maximum of 10 pipes. Pipes 1 to 9 can be assigned any endpoint number based on the peripheral devices used for communication or based on the user system. The MCU supports revision 1.2 of the Battery Charging specification. Because the MCU can be powered at 5 V, the USB LDO regulator provides the internal USB transceiver power supply at 3.3 V. See section 27, USB 2.0 Full-Speed Module (USBFS) . |

Table 1.8 Analog

| Feature | Functional description |
|---------------------------------------|------------------------------------------------------------------------------------------------------------------------------------------------------------------------------------------------------------------------------------------------------------------------------------------------------------------------------------------------------------------------------------------------------------------------------------------------------------------------------------------------------------------------------------------------------------------------------------------------------------------------------------------------------------------------------------------------------------------------------------------------------------------------------------|
| 14-bit A/D Converter (ADC14) | A 14-bit successive approximation A/D converter is provided. Up to 25 analog input channels are selectable. Temperature sensor output and internal reference voltage are selectable for conversion. The A/D conversion accuracy is selectable from 12-bit and 14-bit conversion making it possible to optimize the tradeoff between speed and resolution in generating a digital value. See section 35, 14-Bit A/D Converter (ADC14) . |
| 12-Bit D/A Converter (DAC12) | The 12-Bit D/A Converter (DAC12) converts data and includes an output amplifier. See section 36, 12-Bit D/A Converter (DAC12) . |
| 8-Bit D/A Converter (DAC8) for ACMPLP | The 8-Bit D/A Converter (DAC8) converts data and does not include an output amplifier (DAC8). The DAC8 is used only as the reference voltage for ACMPLP. See section 40, 8-Bit D/A Converter (DAC8) . |
| Temperature Sensor (TSN) | The on-chip Temperature Sensor (TSN) determines and monitors the die temperature for reliable operation of the device. The sensor outputs a voltage directly proportional to the die temperature, and the relationship between the die temperature and the output voltage is linear. The output voltage is provided to the ADC14 for conversion and can be further used by the end application. See section 37, Temperature Sensor (TSN) . |
| Low-Power Analog Comparator (ACMPLP) | The Low-Power Analog Comparator (ACMPLP) compares the reference input voltage and analog input voltage. The comparison result can be read through software and also be output externally. The reference voltage can be selected from an input to the CMPREF <i>i</i> (<i>i</i> = 0,1) pin, an internal 8-bit D/A converter output, or the internal reference voltage (<i>V</i> _{ref}) generated internally in the MCU. The ACMPLP response speed can be set before starting an operation. Setting the high-speed mode decreases the response delay time, but increases current consumption. Setting the low-speed mode increases the response delay time, but decreases current consumption. See section 39, Low-Power Analog Comparator (ACMPLP) . |
| Operational Amplifier (OPAMP) | The Operational Amplifier (OPAMP) amplifies small analog input voltages and outputs the amplified voltages. A total of four differential operational amplifier units with two input pins and one output pin are provided. See section 38, Operational Amplifier (OPAMP) . |

Table 1.9 Human machine interfaces

| Feature | Functional description |
|--------------------------------------|--------------------------------------------------------------------------------------------------------------------------------------------------------------------------------------------------------------------------------------------------------------------------------------------------------------------------------------------------------------------------------------------------------------------------------------------------------------------------------------------------------------------------------------------------------------------------------------------------------------------------------------------------------------------------------------|
| Segment LCD Controller (SLCDC) | The Segment LCD Controller (SLCDC) provides the following functions: <ul style="list-style-type: none"> • Waveform A or B selectable • The LCD driver voltage generator can switch between an internal voltage boosting method, a capacitor split method, and an external resistance division method • Automatic output of segment and common signals based on automatic display data register read • The reference voltage generated when operating the voltage boost circuit can be selected in 16 steps (contrast adjustment) • The LCD can be made to blink. See section 45, Segment LCD Controller (SLCDC) . |
| Capacitive Touch Sensing Unit (CTSU) | The Capacitive Touch Sensing Unit (CTSU) measures the electrostatic capacitance of the touch sensor. Changes in the electrostatic capacitance are determined by software, which enables the CTSU to detect whether a finger is in contact with the touch sensor. The electrode surface of the touch sensor is usually enclosed within an electrical insulator so that fingers do not come into direct contact with the electrode. See section 41, Capacitive Touch Sensing Unit (CTSU) . |

Table 1.10 Data processing

| Feature | Functional description |
|------------------------------------------|-------------------------------------------------------------------------------------------------------------------------------------------------------------------------------------------------------------------------------------------------------------------------------------------------------------------------------------------------------------------------------------------------------------------------------------------------------------------------------------------------------------------------------------------------------------------------------------------------------------------------------------------------|
| Cyclic Redundancy Check (CRC) calculator | The Cyclic Redundancy Check (CRC) calculator generates CRC codes to detect errors in the data. The bit order of CRC calculation results can be switched for LSB-first or MSB-first communication. Additionally, various CRC generation polynomials are available. The snoop function allows monitoring reads from and writes to specific addresses. This function is useful in applications that require CRC code to be generated automatically in certain events, such as monitoring writes to the serial transmit buffer and reads from the serial receive buffer. See section 32, Cyclic Redundancy Check (CRC) Calculator . |
| Data Operation Circuit (DOC) | The Data Operation Circuit (DOC) compares, adds, and subtracts 16-bit data. See section 42, Data Operation Circuit (DOC) . |

Table 1.11 Security

| Feature | Functional description |
|-------------------------------|---------------------------------------------------------------------------------------------------------------------------------------------------------------------------------------------------------------------------------------------------------------------------------------------------------------------------|
| Secure Crypto Engine 5 (SCE5) | <ul style="list-style-type: none"> • Security algorithm <ul style="list-style-type: none"> - Symmetric algorithm: AES. • Other support features <ul style="list-style-type: none"> - TRNG (True Random Number Generator) - Hash-value generation: GHASH. |

1.2 Block Diagram

Figure 1.1 shows a block diagram of the MCU superset. Some individual devices within the group have a subset of the features.

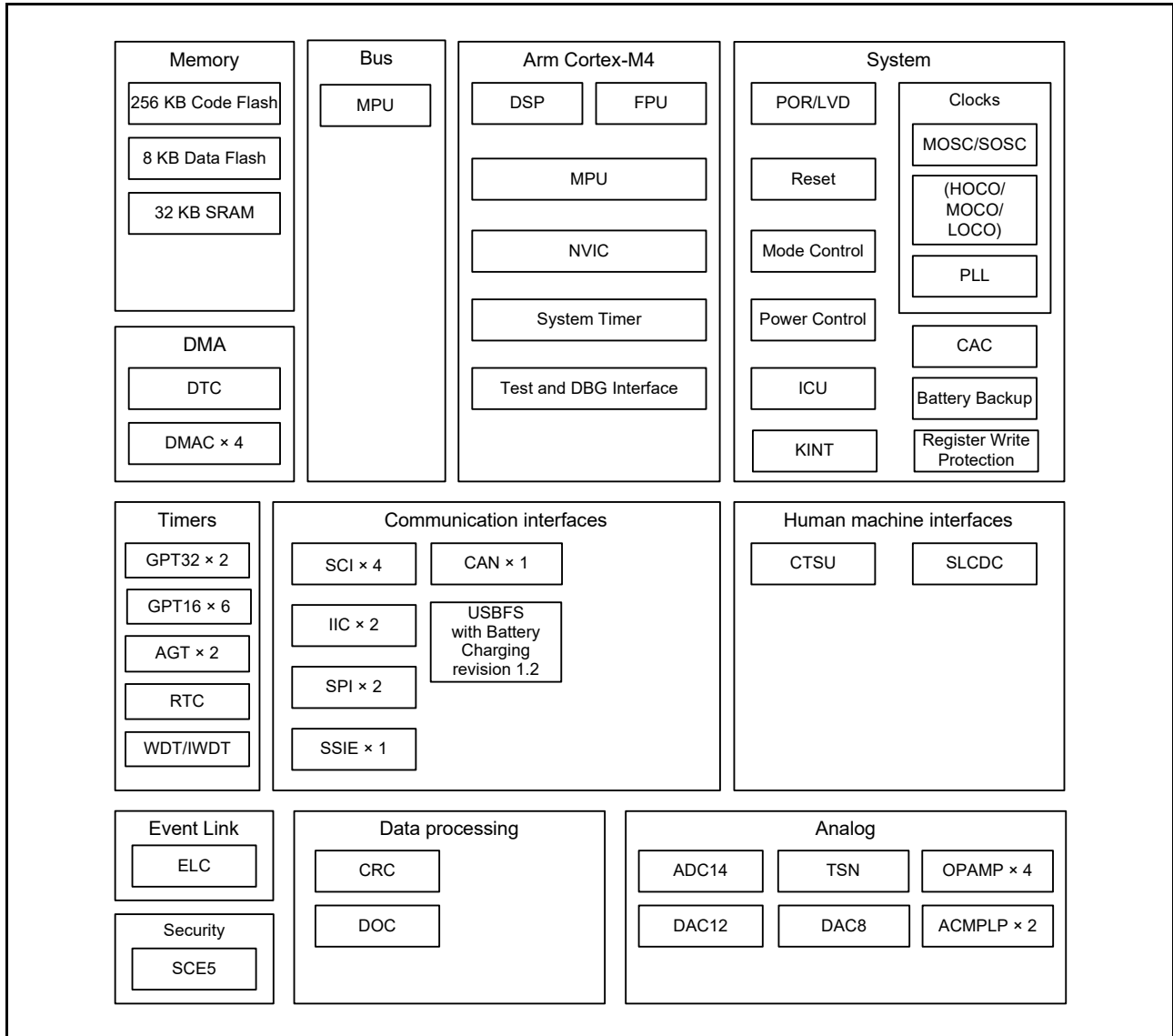


Figure 1.1 Block diagram

1.3 Part Numbering

Figure 1.2 shows the product part number information, including memory capacity, and package type. Table 1.12 shows a product list.

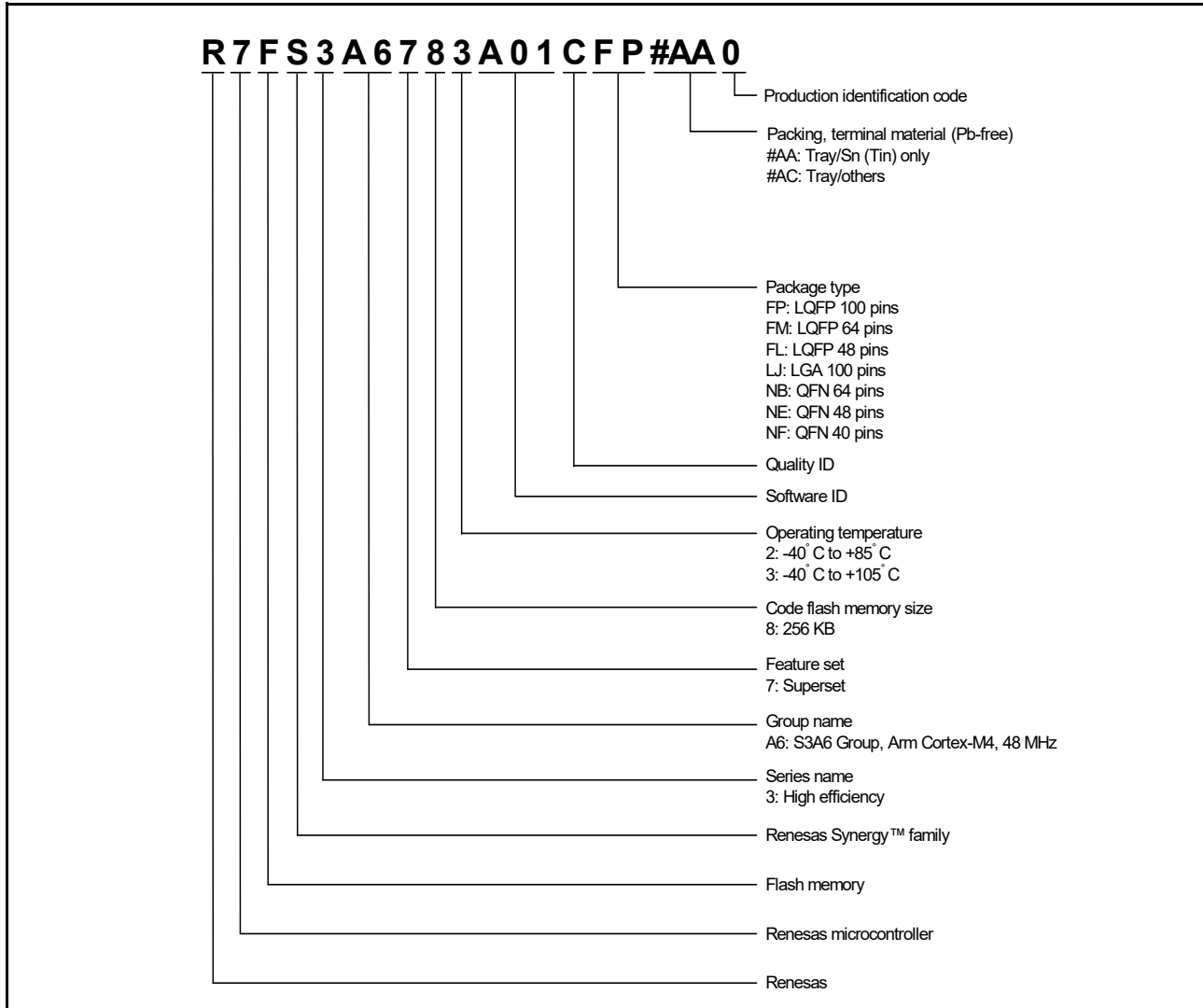


Figure 1.2 Part numbering scheme

Table 1.12 Product list

| Product part number | Orderable part number | Package code | Code flash | Data flash | SRAM | Operating temperature |
|---------------------|-----------------------|--------------|------------|------------|-------|-----------------------|
| R7FS3A6783A01CFP | R7FS3A6783A01CFP#AA0 | PLQP0100KB-B | 256 KB | 8 KB | 32 KB | -40 to +105°C |
| R7FS3A6782A01CLJ | R7FS3A6782A01CLJ#AC0 | PTLG0100JA-A | | | | -40 to +85°C |
| R7FS3A6783A01CFM | R7FS3A6783A01CFM#AA0 | PLQP0064KB-C | | | | -40 to +105°C |
| R7FS3A6783A01CNB | R7FS3A6783A01CNB#AC0 | PWQN0064LA-A | | | | -40 to +105°C |
| R7FS3A6783A01CFL | R7FS3A6783A01CFL#AA0 | PLQP0048KB-B | | | | -40 to +105°C |
| R7FS3A6783A01CNE | R7FS3A6783A01CNE#AC0 | PWQN0048KB-A | | | | -40 to +105°C |
| R7FS3A6783A01CNF | R7FS3A6783A01CNF#AC0 | PWQN0040KC-A | | | | -40 to +105°C |

1.4 Function Comparison

Table 1.13 Function comparison

| Part numbers | R7FS3A6783A01CFP | R7FS3A6782A01CLJ | R7FS3A6783A01CFM/ R7FS3A6783A01CNB | R7FS3A6783A01CFL/ R7FS3A6783A01CNE | R7FS3A6783A01CNF | |
|-------------------|------------------|----------------------------------|---------------------------------------|---------------------------------------|------------------|----|
| Pin count | 100 | 100 | 64 | 48 | 40 | |
| Package | LQFP | LGA | LQFP/QFN | LQFP/QFN | QFN | |
| Code flash memory | 256 KB | | | | | |
| Data flash memory | 8 KB | | | | | |
| SRAM | 32 KB | | | | | |
| | Parity | 16 KB | | | | |
| | ECC | 16 KB | | | | |
| System | CPU clock | 48 MHz | | | | |
| | Backup registers | 512 bytes | | | | |
| | ICU | Yes | | | | |
| | KINT | 8 | | 5 | 3 | |
| Event control | ELC | Yes | | | | |
| DMA | DTC | Yes | | | | |
| | DMAC | 4 | | | | |
| Bus | External bus | No | | | | |
| Timers | GPT32 | 2 | | | | |
| | GPT16 | 6 | | 4 | 2 | |
| | AGT | 2 | | No | | |
| | RTC | Yes | | | | |
| | WDT/IWDT | Yes | | | | |
| Communication | SCI | 4 | | | | |
| | IIC | 2 | | | | |
| | SPI | 2 | | | 1 | |
| | SSIE | 1 | No | | | |
| | QSPI | No | | | | |
| | SDHI | No | | | | |
| | CAN | 1 | | | | |
| | USBFS | Yes | | | | |
| Analog | ADC14 | 25 | 18 | 14 | 11 | |
| | DAC12 | 1 | | | | |
| | DAC8 | 2 | | | | |
| | ACMPLP | 2 | | | 1 | |
| | OPAMP | 4 | 4 | 3 | 1 | No |
| | TSN | Yes | | | | |
| HMI | SLCDC | 4 com × 38 seg or 8 com × 34 seg | | 4 com × 21 seg or 8 com × 17 seg | | No |
| | CTSU | 27 | | 24 | | 15 |
| Data processing | CRC | Yes | | | | |
| | DOC | Yes | | | | |
| Security | SCE5 | | | | | |

1.5 Pin Functions

Table 1.14 Pin functions (1 of 4)

| Function | Signal | I/O | Description |
|------------------------|----------------------------------------|--------|---------------------------------------------------------------------------------------------------------------------------------------------------------------------|
| Power supply | VCC | Input | Power supply pin. Connect this pin to the system power supply. Connect it to VSS through a 0.1- μ F capacitor. The capacitor should be placed close to the pin. |
| | VCL | I/O | Connect this pin to the VSS pin through the smoothing capacitor used to stabilize the internal power supply. Place the capacitor close to the pin. |
| | VSS | Input | Ground pin. Connect to the system power supply (0 V). |
| | VBATT | Input | Backup power supply pin |
| Clock | XTAL | Output | Pins for a crystal resonator. An external clock signal can be input through the EXTAL pin. |
| | EXTAL | Input | |
| | XCIN | Input | Input/output pins for the sub-clock oscillator. Connect a crystal resonator between XCOU and XCIN. |
| | XCOU | Output | |
| | CLKOUT | Output | Clock output pin |
| Operating mode control | MD | Input | Pins for setting the operating mode. The signal levels on these pins must not be changed during operation mode transition on release from the reset state. |
| System control | RES | Input | Reset signal input pin. The MCU enters the reset state when this signal goes low. |
| CAC | CACREF | Input | Measurement reference clock input pin |
| Interrupt | NMI | Input | Non-maskable interrupt request pin |
| | IRQ0 to IRQ12, IRQ14, IRQ15 | Input | Maskable interrupt request pins |
| KINT | KR00 to KR07 | Input | Key interrupt input pins. A key interrupt (KINT) can be generated by inputting a falling edge to the key interrupt input pins. |
| On-chip debug | TMS | I/O | On-chip emulator or boundary scan pins |
| | TDI | Input | |
| | TCK | Input | |
| | TDO | Output | |
| | SWDIO | I/O | Serial wire debug data input/output pin |
| | SWCLK | Input | Serial wire clock pin |
| | SWO | Output | Serial wire trace output pin |
| Battery Backup | VBATWIO0 to VBATWIO2 | I/O | Output wakeup signal for the VBATT wakeup control function. External event input for the VBATT wakeup control function. |
| GPT | GTETRG, GTETRGB | Input | External trigger input pin |
| | GTIOC0A to GTIOC7A, GTIOC0B to GTIOC7B | I/O | Input capture, output capture, or PWM output pin |
| | GTIU | Input | Hall sensor input pin U |
| | GTIV | Input | Hall sensor input pin V |
| | GTIW | Input | Hall sensor input pin W |
| | GTOUUP | Output | 3-phase PWM output for BLDC motor control (positive U phase) |
| | GTOULO | Output | 3-phase PWM output for BLDC motor control (negative U phase) |
| | GTOVUP | Output | 3-phase PWM output for BLDC motor control (positive V phase) |
| | GTOVLO | Output | 3-phase PWM output for BLDC motor control (negative V phase) |
| | GTOUWP | Output | 3-phase PWM output for BLDC motor control (positive W phase) |
| | GTOULO | Output | 3-phase PWM output for BLDC motor control (negative W phase) |

Table 1.14 Pin functions (2 of 4)

| Function | Signal | I/O | Description |
|----------|------------------------------------------|--------|----------------------------------------------------------------------------------------------------------------------------------|
| AGT | AGTEE0, AGTEE1 | Input | External event input enable signals |
| | AGTIO0, AGTIO1 | I/O | External event input and pulse output pins |
| | AGTO0, AGTO1 | Output | Pulse output pins |
| | AGTOA0, AGTOA1 | Output | Output compare match A output pins |
| | AGTOB0, AGTOB1 | Output | Output compare match B output pins |
| RTC | RTCCOUT | Output | Output pin for 1-Hz/64-Hz clock |
| | RTCIC0 to RTCIC2 | Input | Time capture event input pins |
| SCI | SCK0 to SCK2, SCK9 | I/O | Clock (clock synchronous mode) input/output pins |
| | RXD0 to RXD2, RXD9 | Input | Received data (asynchronous mode/clock synchronous mode) input pins |
| | TXD0 to TXD2, TXD9 | Output | Transmitted data (asynchronous mode/clock synchronous mode) output pins |
| | CTS0_RTS0 to CTS2_RTS2, CTS9_RTS9 | I/O | Input/output pins for controlling the start of transmission and reception (asynchronous mode/clock synchronous mode), active-low |
| | SCL0 to SCL2, SCL9 | I/O | I ² C clock (simple IIC) input/output pins |
| | SDA0 to SDA2, SDA9 | I/O | I ² C data (simple IIC) input/output pins |
| | SCK0 to SCK2, SCK9 | I/O | Clock (simple SPI) input/output pins |
| | MISO0 to MISO2, MISO9 | I/O | Slave transmission of data (simple SPI) input/output pins |
| | MOSI0 to MOSI2, MOSI9 | I/O | Master transmission of data (simple SPI) input/output pins |
| | SS0 to SS2, SS9 | Input | Slave-select input pins (simple SPI), active-low |
| IIC | SCL0, SCL1 | I/O | Clock input/output pins |
| | SDA0, SDA1 | I/O | Data input/output pins |
| SSIE | SSIBCK0 | I/O | SSIE serial bit clock pin |
| | SSILRCK0/SSIFS0 | I/O | Word select pins |
| | SSITXD0 | Output | Serial data output pin |
| | SSIRXD0 | Input | Serial data input pin |
| | AUDIO_CLK | Input | External clock pin for audio (input oversampling clock) |
| SPI | RSPCKA, RSPCKB | I/O | Clock input/output pin |
| | MOSIA, MOSIB | I/O | Input/output pins for data output from the master |
| | MISOA, MISOB | I/O | Input/output pins for data output from the slave |
| | SSLA0, SSLB0 | I/O | Input/output pins for slave selection |
| | SSLA1, SSLA2, SSLA3, SSLB1, SSLB2, SSLB3 | Output | Output pins for slave selection |
| CAN | CRX0 | Input | Receive data |
| | CTX0 | Output | Transmit data |

Table 1.14 Pin functions (3 of 4)

| Function | Signal | I/O | Description |
|---------------------|---------------------------------------------------------------|--------|-----------------------------------------------------------------------------------------------------------------------------------------------------------------------------------------------------------------|
| USBFS | VSS_USB | Input | Ground pin |
| | VCC_USB_LDO | Input | Power supply pin for USB LDO regulator |
| | VCC_USB | I/O | Input: USB transceiver power supply pin. Output: USB LDO regulator output pin. This pin should be connected to an external capacitor. |
| | USB_DP | I/O | D+ I/O pin of the USB on-chip transceiver. This pin should be connected to the D+ pin of the USB bus. |
| | USB_DM | I/O | D- I/O pin of the USB on-chip transceiver. This pin should be connected to the D- pin of the USB bus. |
| | USB_VBUS | Input | USB cable connection monitor pin. This pin should be connected to VBUS of the USB bus. The VBUS pin status (connected or disconnected) can be detected when the USB module is operating as a device controller. |
| | USB_EXICEN | Output | Low power control signal for external power supply (OTG) chip |
| | USB_VBUSEN | Output | VBUS (5 V) supply enable signal for external power supply chip |
| | USB_OVRCURA, USB_OVRCURB | Input | Connect the external overcurrent detection signals to these pins. Connect the VBUS comparator signals to these pins when the OTG power supply chip is connected. |
| | USB_ID | Input | Connect the MicroAB connector ID input signal to this pin during operation in OTG mode |
| Analog power supply | AVCC0 | Input | Analog voltage supply pin |
| | AVSS0 | Input | Analog voltage supply ground pin |
| | VREFH0 | Input | Analog reference voltage supply pin |
| | VREFL0 | Input | Reference power supply ground pin |
| | VREFH | Input | Analog reference voltage supply pin for D/A converter |
| | VREFL | Input | Analog reference ground pin for D/A converter |
| ADC14 | AN000 to AN014, AN016 to AN025 | Input | Input pins for the analog signals to be processed by the A/D converter |
| | ADTRG0 | Input | Input pins for the external trigger signals that start the A/D conversion, active-low |
| DAC12 | DA0 | Output | Output pins for the analog signals to be processed by the D/A converter |
| Comparator output | VCOUT | Output | Comparator output pin |
| ACMPLP | CMPREF0, CMPREF1 | Input | Reference voltage input pin |
| | CMPIN0, CMPIN1 | Input | Analog voltage input pins |
| OPAMP | AMP0+ to AMP3+ | Input | Analog voltage input pins |
| | AMP0- to AMP3- | Input | Analog voltage input pins |
| | AMP0O to AMP3O | Output | Analog voltage output pins |
| CTSU | TS00 to TS13, TS17 to TS22, TS27 to TS31, TS34, TS35 | Input | Capacitive touch detection pins (touch pins) |
| | TSCAP | - | Secondary power supply pin for the touch driver |

Table 1.14 Pin functions (4 of 4)

| Function | Signal | I/O | Description |
|----------------|-------------------------------|--------------------|----------------------------------------------------------|
| I/O ports | P000 to P008, P010 to P015 | I/O | General-purpose input/output pins |
| | P100 to P115 | I/O | General-purpose input/output pins |
| | P200 | Input | General-purpose input pin |
| | P201 to P206, P212, P213 | I/O | General-purpose input/output pins |
| | P214, P215 | Input | General-purpose input pins |
| | P300 to P307 | I/O | General-purpose input/output pins |
| | P400 to P415 | I/O | General-purpose input/output pins |
| | P500 to P505 | I/O | General-purpose input/output pins |
| | P600 to P603, P608 to P610 | I/O | General-purpose input/output pins |
| | P708 | I/O | General-purpose input/output pins |
| | P808, P809 | I/O | General-purpose input/output pins |
| | P914, P915 | I/O | General-purpose input/output pins |
| | SLCDC | VL1, VL2, VL3, VL4 | I/O |
| CAPH, CAPL | | I/O | Capacitor connection pin for the LCD controller/driver |
| COM0 to COM7 | | Output | Common signal output pins for the LCD controller/driver |
| SEG00 to SEG37 | | Output | Segment signal output pins for the LCD controller/driver |

1.6 Pin Assignments

Figure 1.3 to Figure 1.6 show the pin assignments.

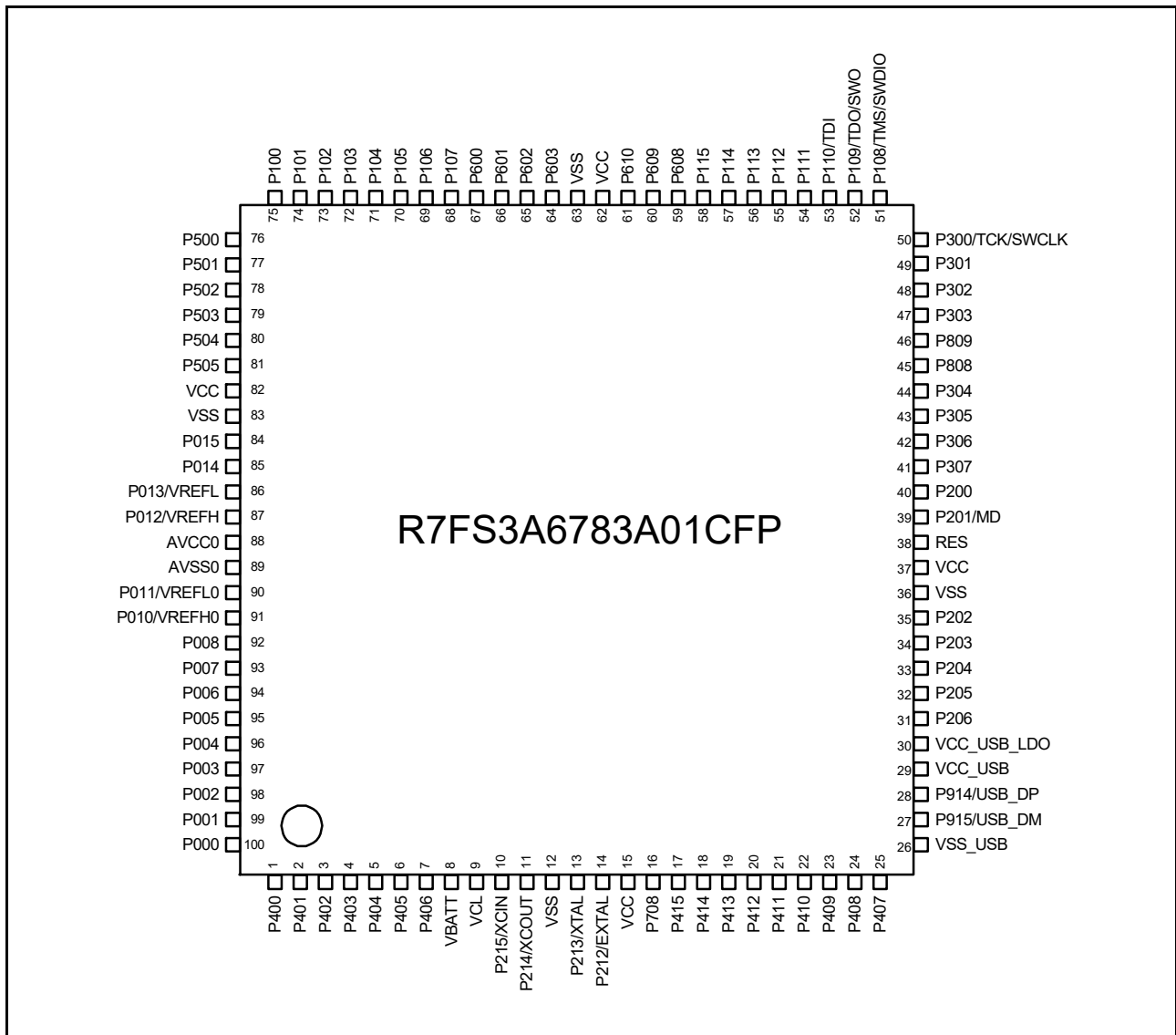


Figure 1.3 Pin assignment for 100-pin LQFP (top view)

R7FS3A6782A01CLJ

| | A | B | C | D | E | F | G | H | J | K | |
|----|------------------------|----------------------|-----------------|------|----------------|----------------|-------|-------|-----------------|-----------------|----|
| 10 | P407 | P409 | P412 | VCC | P212/ EXTAL | P215/ XCIN | VCL | P403 | P400 | P000 | 10 |
| 9 | P915/ USB_DM | P914/ USB_DP | P413 | VSS | P213/ XTAL | P214/ XCOUT | VBATT | P405 | P401 | P001 | 9 |
| 8 | VCC_ USB | VSS_ USB | VCC_US B_LDO | P411 | P415 | P708 | P404 | P003 | P004 | P002 | 8 |
| 7 | P205 | P204 | P206 | P408 | P414 | P406 | P006 | P007 | P008 | P005 | 7 |
| 6 | VSS | VCC | P202 | P203 | P410 | P402 | P505 | AVSS0 | P011/ VREFL0 | P010/ VREFH0 | 6 |
| 5 | P200 | P201/MD | P307 | RES | P113 | P600 | P504 | AVCC0 | P013/ VREFL | P012/ VREFH | 5 |
| 4 | P305 | P304 | P808 | P306 | P115 | P601 | P503 | P100 | P015 | P014 | 4 |
| 3 | P809 | P303 | P110/TDI | P111 | P609 | P602 | P107 | P103 | VSS | VCC | 3 |
| 2 | P300/ TCK/ SWCLK | P302 | P301 | P114 | P610 | P603 | P106 | P101 | P501 | P502 | 2 |
| 1 | P108/ TMS/ SWDIO | P109/ TDO/ SWO | P112 | P608 | VCC | VSS | P105 | P104 | P102 | P500 | 1 |
| | A | B | C | D | E | F | G | H | J | K | |

Figure 1.4 Pin assignment for 100-pin LGA (upper perspective view)

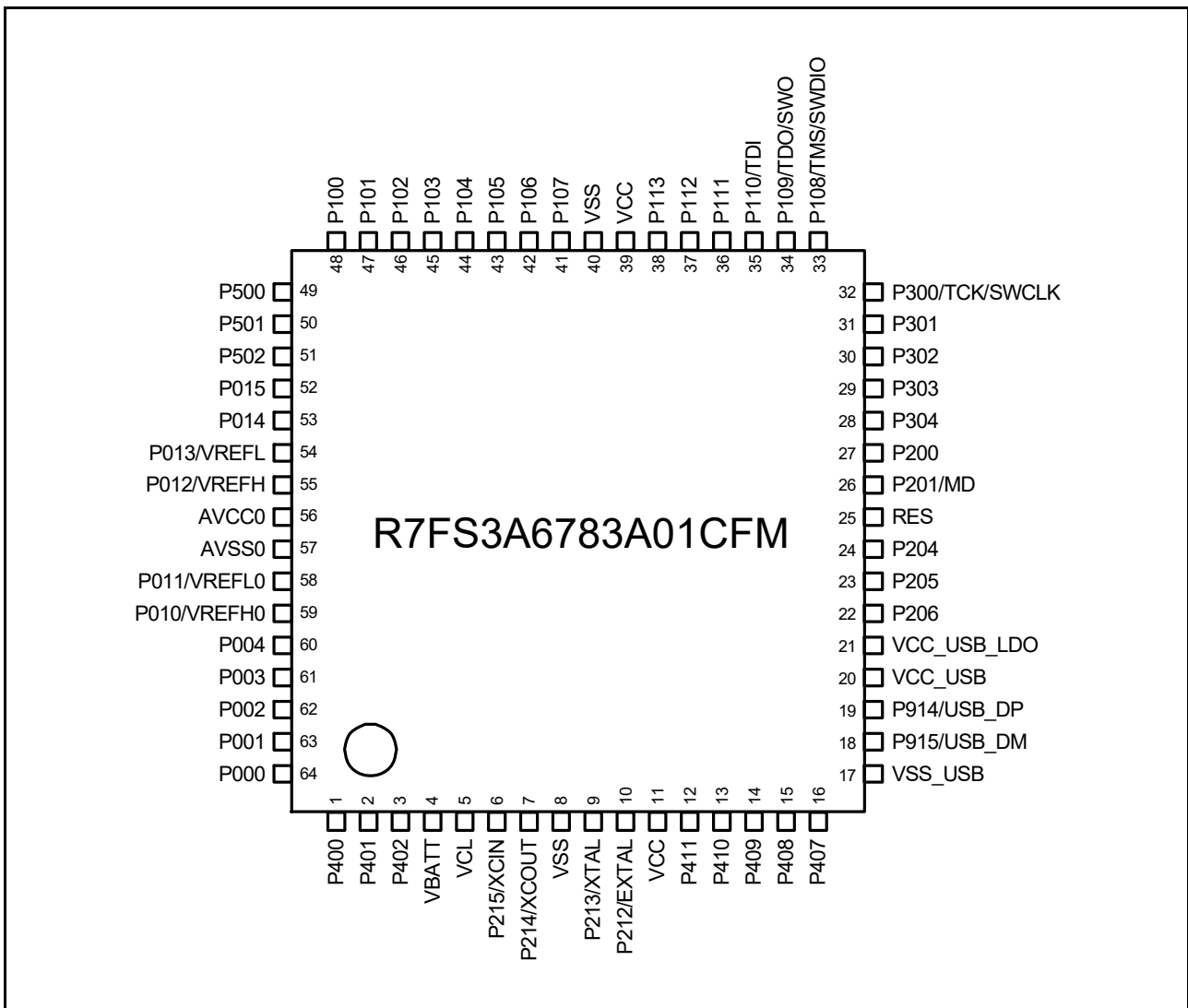


Figure 1.5 Pin assignment for 64-pin LQFP (top view)

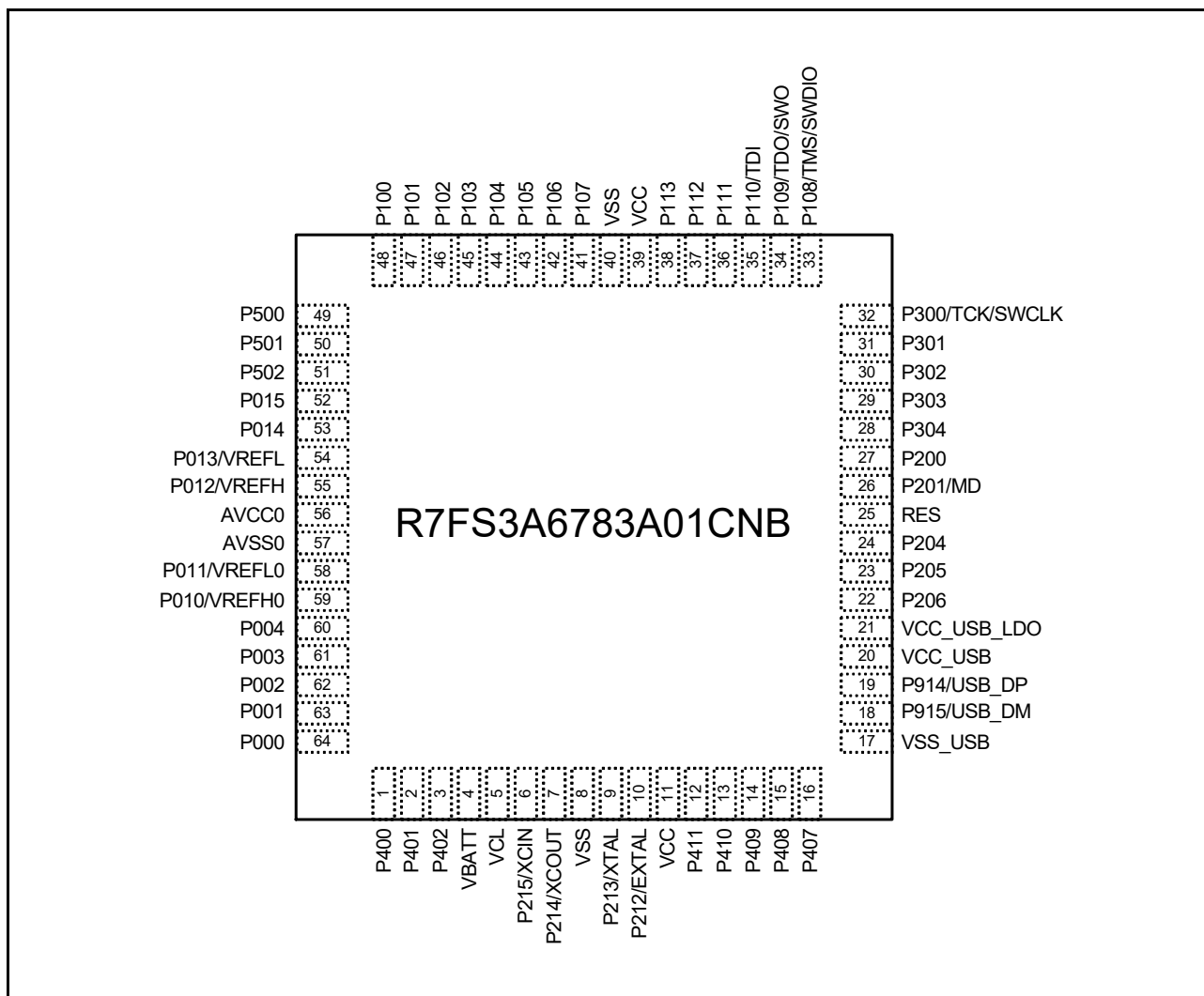


Figure 1.6 Pin assignment for 64-pin QFN (upper perspective view)

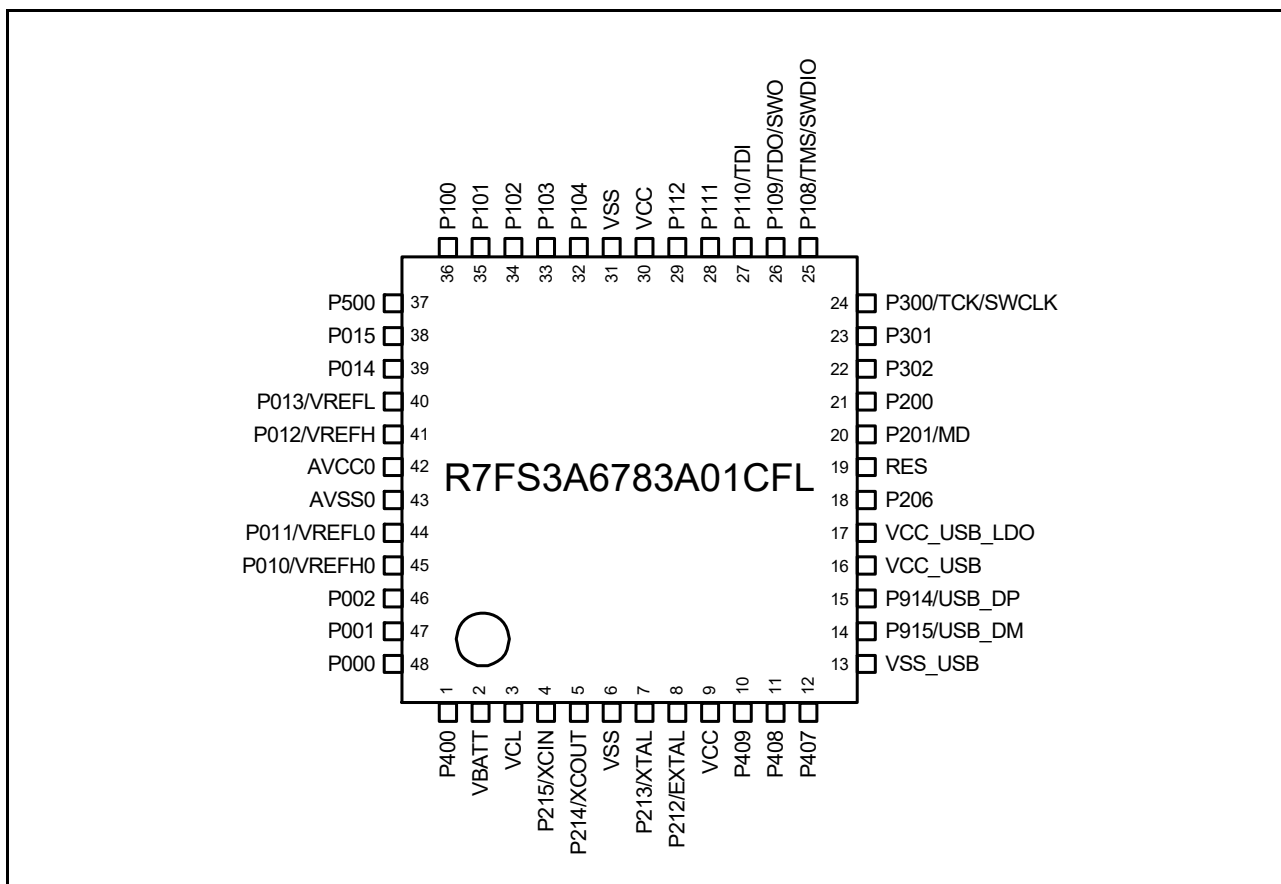


Figure 1.7 Pin assignment for 48-pin LQFP (top view)

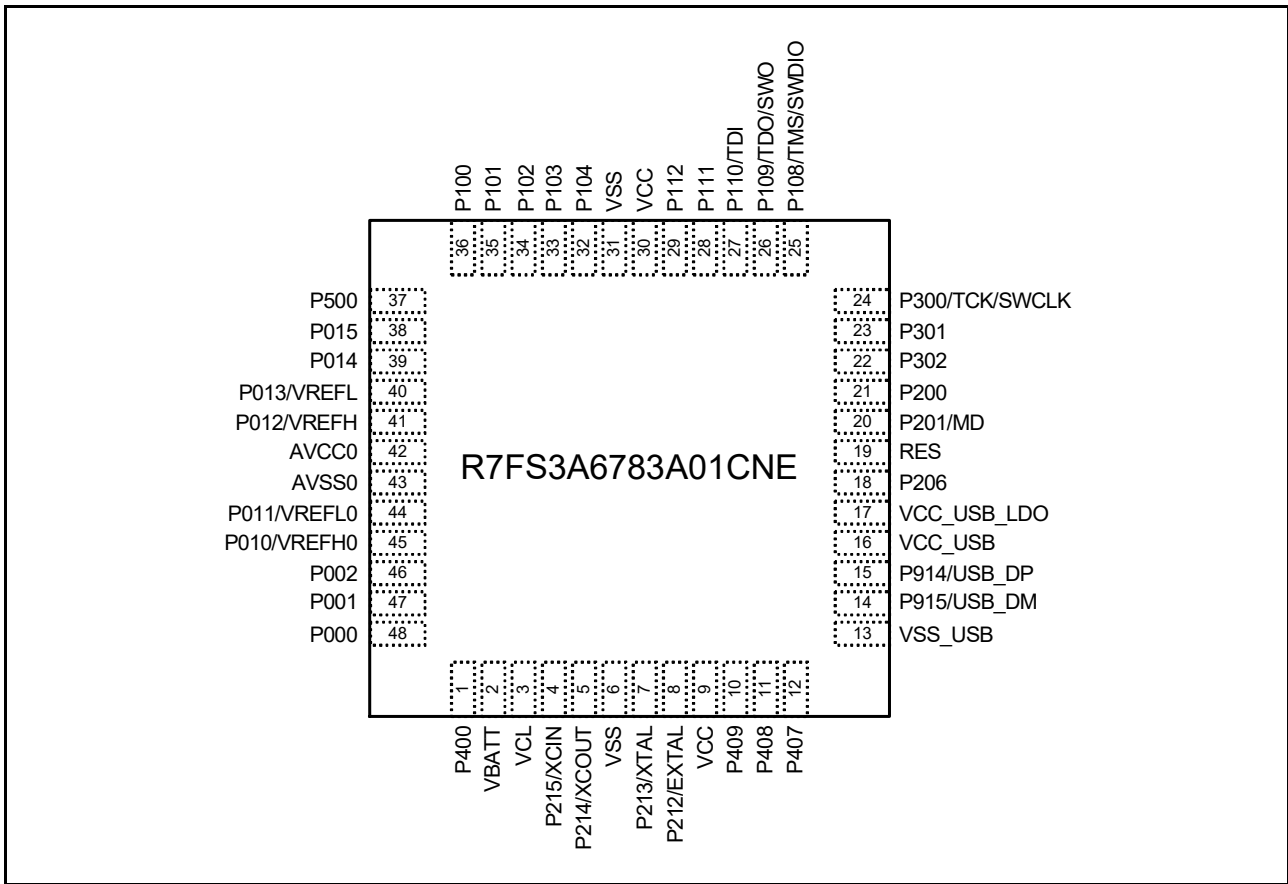


Figure 1.8 Pin assignment for 48-pin QFN (top view)

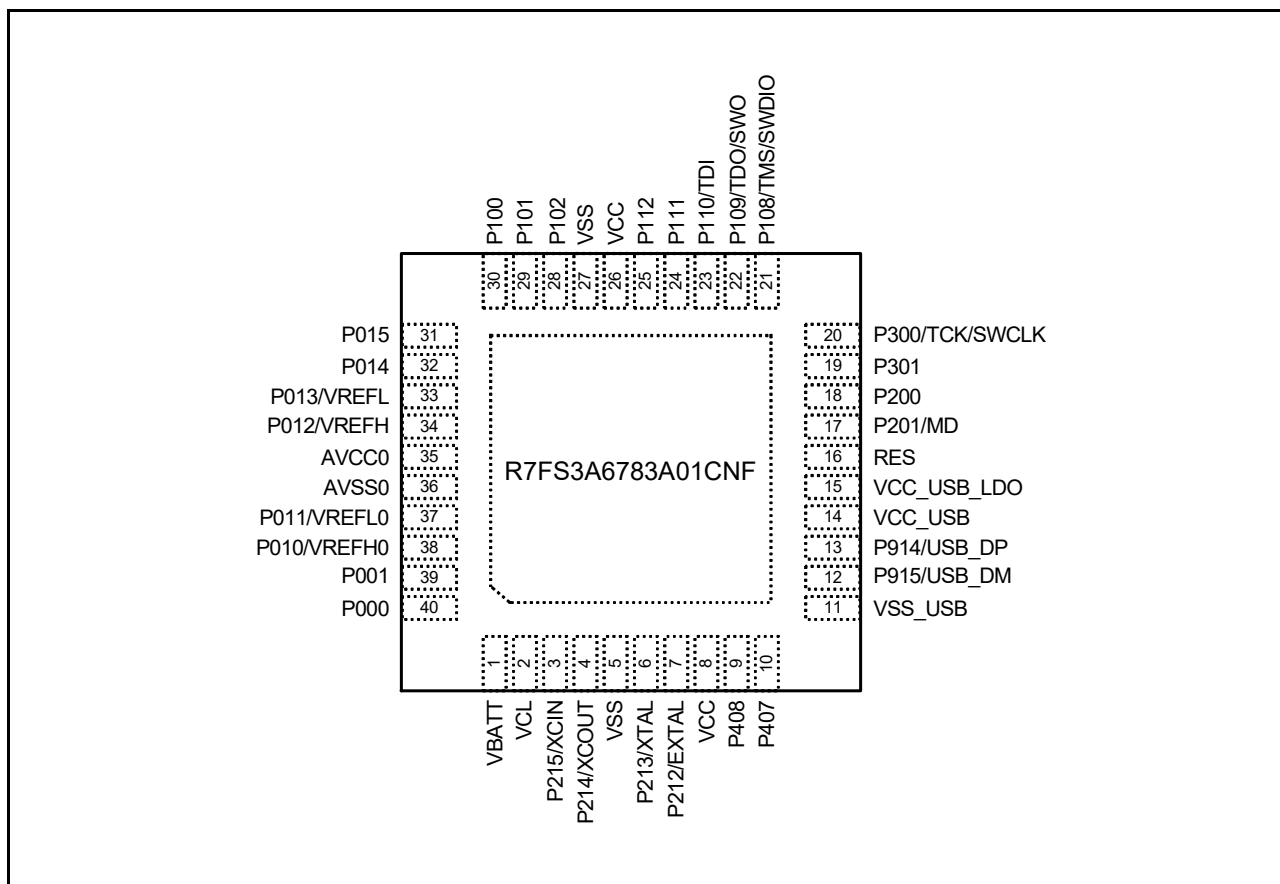


Figure 1.9 Pin assignment for 40-pin QFN (top view)

1.7 Pin Lists

| Pin number | LQFP100 | | | | | | Power, System, Clock, Debug, CAC, VBATT | Interrupt | I/O ports | Timers | | | | Communication interfaces | | | | | Analog | | | HMI | |
|------------|---------|--------|-------|--------|-------|-------|-----------------------------------------|-----------|-----------|-------------------|---------------|---------|--------|--------------------------|-------------------------------------------------|------|-----|---------------------|--------|--------------|--------|-------|------|
| | LGA100 | LQFP64 | QFN64 | LQFP48 | QFN48 | QFN40 | | | | AGT | GPT_OPS, POEG | GPT | RTC | USBFS,CAN | SCI | IIC | SPI | SSIE | ADC14 | DAC12, OPAMP | ACMPLP | SLCDC | CTSU |
| 1 | J10 | 1 | 1 | 1 | 1 | 1 | CACREF | IRQ0 | P400 | AGTIO1 | | GTIOC6A | | | SCK0 SCK1 | SCL0 | | AUDIO_CLK | | | | SEG04 | TS20 |
| 2 | J9 | 2 | 2 | | | | | IRQ5 | P401 | | GTETRGA | GTIOC6B | | CTX0 | CTS0 RTS0/ SS0 TXD1/ MOSI1/ SDA1 | SDA0 | | | | | | SEG05 | TS19 |
| 3 | F6 | 3 | 3 | | | | VBATWIO0 | IRQ4 | P402 | AGTIO0/ AGTIO1 | | | RTCIC0 | CRX0 | RXD1/ MISO1/ SCL1 | | | | | | | SEG06 | TS18 |
| 4 | H10 | | | | | | VBATWIO1 | | P403 | AGTIO0/ AGTIO1 | | GTIOC3A | RTCIC1 | | CTS1 RTS1/ SS1 | | | SSIBCK0 | | | | | TS17 |
| 5 | G8 | | | | | | VBATWIO2 | | P404 | | | GTIOC3B | RTCIC2 | | | | | SSILRCK0/ SSIFS0 | | | | | |
| 6 | H9 | | | | | | | | P405 | | | GTIOC1A | | | | | | SSITXD0 | | | | | |
| 7 | F7 | | | | | | | | P406 | | | GTIOC1B | | | | | | SSIRXD0 | | | | | |
| 8 | G9 | 4 | 4 | 2 | 2 | 1 | VBATT | | | | | | | | | | | | | | | | |
| 9 | G10 | 5 | 5 | 3 | 3 | 2 | VCL | | | | | | | | | | | | | | | | |
| 10 | F10 | 6 | 6 | 4 | 4 | 3 | XCIN | | P215 | | | | | | | | | | | | | | |
| 11 | F9 | 7 | 7 | 5 | 5 | 4 | XCOU | | P214 | | | | | | | | | | | | | | |
| 12 | D9 | 8 | 8 | 6 | 6 | 5 | VSS | | | | | | | | | | | | | | | | |
| 13 | E9 | 9 | 9 | 7 | 7 | 6 | XTAL | IRQ2 | P213 | | GTETRGA | GTIOC0A | | | TXD1/ MOSI1/ SDA1 | | | | | | | | |
| 14 | E10 | 10 | 10 | 8 | 8 | 7 | EXTAL | IRQ3 | P212 | AGTEE1 | GTETRGA | GTIOC0B | | | RXD1/ MISO1/ SCL1 | | | | | | | | |
| 15 | D10 | 11 | 11 | 9 | 9 | 8 | VCC | | | | | | | | | | | | | | | | |
| 16 | F8 | | | | | | | | P708 | | | | | | RXD1/ MISO1/ SCL1 | | | SSLA3 | | | | | |
| 17 | E8 | | | | | | | IRQ8 | P415 | | | GTIOC0A | | | | | | SSLA2 | | | | | |
| 18 | E7 | | | | | | | IRQ9 | P414 | | | GTIOC0B | | | | | | SSLA1 | | | | | |
| 19 | C9 | | | | | | | | P413 | | | | | | CTS0 RTS0/ SS0 | | | SSLA0 | | | | | |
| 20 | C10 | | | | | | | | P412 | | | | | | SCK0 | | | RSPCKA | | | | | |
| 21 | D8 | 12 | 12 | | | | | IRQ4 | P411 | AGTOA1 | GTOVUP | GTIOC6A | | | TXD0/ MOSI0/ SDA0 | | | MOSIA | | | | SEG07 | TS07 |
| 22 | E6 | 13 | 13 | | | | | IRQ5 | P410 | AGTOB1 | GTOVLO | GTIOC6B | | | RXD0/ MISO0/ SCL0 | | | MISOA | | | | SEG08 | TS06 |
| 23 | B10 | 14 | 14 | 10 | 10 | | | IRQ6 | P409 | | GTOVUP | GTIOC5A | | USB_EXI CEN | TXD9/ MOSI9/ SDA9 | | | | | | | SEG09 | TS05 |
| 24 | D7 | 15 | 15 | 11 | 11 | 9 | | IRQ7 | P408 | | GTOVLO | GTIOC5B | | USB_ID | CTS1 RTS1/ SS1 RXD9/ MISO9/ SCL9 | SCL0 | | | | | | SEG10 | TS04 |
| 25 | A10 | 16 | 16 | 12 | 12 | 10 | | | P407 | AGTIO0 | | | RTCOUT | USB_VB US | CTS0 RTS0/ SS0 | SDA0 | | SSLB3 | | ADTRG0 | | SEG11 | TS03 |
| 26 | B8 | 17 | 17 | 13 | 13 | 11 | VSS_USB | | | | | | | | | | | | | | | | |
| 27 | A9 | 18 | 18 | 14 | 14 | 12 | | | P915 | | | | | USB_DM | | | | | | | | | |
| 28 | B9 | 19 | 19 | 15 | 15 | 13 | | | P914 | | | | | USB_DP | | | | | | | | | |

| Pin number | | | | | | | | | | | | Timers | | | | Communication interfaces | | | | | Analog | | | HMI | |
|------------|--------|--------|-------|--------|-------|-------|-----------------------------------------|-----------|-----------|--------|---------------|---------|-----------------|--------------------------------------------------|------|--------------------------|-------|------|-------|--------------|----------------|----------------|------|-----|--|
| LQFP100 | LGA100 | LQFP64 | QFN64 | LQFP48 | QFN48 | QFN40 | Power, System, Clock, Debug, CAC, VBATT | Interrupt | I/O ports | AGT | GPT_OPS, POEG | GPT | RTC | USBFS, CAN | SCI | IIC | SPI | SSIE | ADC14 | DAC12, OPAMP | ACMPLP | SLCDC | CTSU | | |
| 29 | A8 | 20 | 20 | 16 | 16 | 14 | VCC_USB | | | | | | | | | | | | | | | | | | |
| 30 | C8 | 21 | 21 | 17 | 17 | 15 | VCC_USB_LDO | | | | | | | | | | | | | | | | | | |
| 31 | C7 | 22 | 22 | 18 | 18 | | | IRQ0 | P206 | | GTIU | | USB_VB USEN | RXD0/ MISO0/ SCL0 | SDA1 | SSLB1 | | | | | SEG12 | TS01 | | | |
| 32 | A7 | 23 | 23 | | | | | IRQ1 | P205 | AGT01 | GTIV | GTIOC4A | USB_OV RCURA | TXD0/ MOSI0/ SDA0 CTS9 RTS9/ SS9 | SCL1 | SSLB0 | | | | | SEG13 | TSCAP | | | |
| 33 | B7 | 24 | 24 | | | | CACREF | | P204 | AGTIO1 | GTIW | GTIOC4B | USB_OV RCURB | SCK0 SCK9 | SCL0 | RSPCKB | | | | | SEG14 | TS00 | | | |
| 34 | D6 | | | | | | | | P203 | | | GTIOC5A | | CTS2_ RTS2/ SS2 TXD9/ MOSI9/ SDA9 | | MOSIB | | | | | SEG15 | TSCAP | | | |
| 35 | C6 | | | | | | | | P202 | | | GTIOC5B | | SCK2 RXD9/ MISO9/ SCL9 | | MISOB | | | | | SEG16 | | | | |
| 36 | A6 | | | | | | VSS | | | | | | | | | | | | | | | | | | |
| 37 | B6 | | | | | | VCC | | | | | | | | | | | | | | | | | | |
| 38 | D5 | 25 | 25 | 19 | 19 | 16 | RES | | | | | | | | | | | | | | | | | | |
| 39 | B5 | 26 | 26 | 20 | 20 | 17 | MD | | P201 | | | | | | | | | | | | | | | | |
| 40 | A5 | 27 | 27 | 21 | 21 | 18 | | NMI | P200 | | | | | | | | | | | | | | | | |
| 41 | C5 | | | | | | | | P307 | | | | | | | | | | | | | SEG17 | | | |
| 42 | D4 | | | | | | | | P306 | | | | | | | | | | | | | SEG18 | | | |
| 43 | A4 | | | | | | | IRQ8 | P305 | | | | | | | | | | | | | SEG19 | | | |
| 44 | B4 | 28 | 28 | | | | | IRQ9 | P304 | | | GTIOC7A | | | | | | | | | | SEG20 | TS11 | | |
| 45 | C4 | | | | | | | | P808 | | | | | | | | | | | | | SEG21 | | | |
| 46 | A3 | | | | | | | | P809 | | | | | | | | | | | | | SEG22 | | | |
| 47 | B3 | 29 | 29 | | | | | | P303 | | | GTIOC7B | | | | | | | | | | SEG03/ COM7 | TS02 | | |
| 48 | B2 | 30 | 30 | 22 | 22 | | | IRQ5 | P302 | | GTOUUP | GTIOC4A | | TXD2/ MOSI2/ SDA2 | | SSLB3 | | | | | SEG02/ COM6 | TS08 | | | |
| 49 | C2 | 31 | 31 | 23 | 23 | 19 | | IRQ6 | P301 | AGTIO0 | GTOULO | GTIOC4B | | RXD2/ MISO2/ SCL2 CTS9 RTS9/ SS9 | | SSLB2 | | | | | SEG01/ COM5 | TS09 | | | |
| 50 | A2 | 32 | 32 | 24 | 24 | 20 | TCK/ SWCLK | | P300 | | GTOUUP | GTIOC0A | | | | | SSLB1 | | | | | | | | |
| 51 | A1 | 33 | 33 | 25 | 25 | 21 | TMS/ SWDIO | | P108 | | GTOULO | GTIOC0B | | CTS9_ RTS9/ SS9 | | SSLB0 | | | | | | | | | |
| 52 | B1 | 34 | 34 | 26 | 26 | 22 | TDO/SWO/ CLKOUT | | P109 | | GTOVUP | GTIOC1A | CTX0 | SCK1 TXD9/ MOSI9/ SDA9 | | MOSIB | | | | | SEG23 | TS10 | | | |
| 53 | C3 | 35 | 35 | 27 | 27 | 23 | TDI | IRQ3 | P110 | | GTOVLO | GTIOC1B | CRX0 | CTS2_ RTS2/ SS2 RXD9/ MISO9/ SCL9 | | MISOB | | | VCOU | | SEG24 | | | | |

| Pin number | | | | | | | Power, System, Clock, Debug, CAC, VBATT | Interrupt | I/O ports | Timers | | | | Communication interfaces | | | | Analog | | | HMI | | |
|------------|---------|--------|--------|-------|--------|-------|-----------------------------------------|---------------|-----------|--------|---------|---------------|---------|--------------------------|--------------------------------------------------|-------------------------|--------------------|---------|------------------|-------|----------------|---------|-------|
| | LQFP100 | LGA100 | LQFP64 | QFN64 | LQFP48 | QFN48 | | | | QFN40 | AGT | GPT_OPS, POEG | GPT | RTC | USBFS, CAN | SCI | IIC | SPI | SSIE | ADC14 | DAC12, OPAMP | ACMPLP | SLCDC |
| 54 | D3 | 36 | 36 | 28 | 28 | 24 | | IRQ4 | P111 | | | GTIOC3A | | | SCK2 SCK9 | | RSPCKB | | | | | CAPH | TS12 |
| 55 | C1 | 37 | 37 | 29 | 29 | 25 | | | P112 | | | GTIOC3B | | | TXD2/ MOSI2/ SDA2 SCK1 | | SSLB0 | SSIBCK0 | | | | CAPL | TSCAP |
| 56 | E5 | 38 | 38 | | | | | | P113 | | | GTIOC2A | | | | | SSLRCK0/ SSIFS0 | | | | SEG00/ COM4 | TS27 | |
| 57 | D2 | | | | | | | | P114 | | | GTIOC2B | | | | | SSIRXD0 | | | | SEG25 | TS29 | |
| 58 | E4 | | | | | | | | P115 | | | GTIOC4A | | | | | SSITXD0 | | | | SEG26 | TS35 | |
| 59 | D1 | | | | | | | | P608 | | | GTIOC4B | | | | | | | | | SEG27 | | |
| 60 | E3 | | | | | | | | P609 | | | GTIOC5A | | | | | | | | | SEG28 | | |
| 61 | E2 | | | | | | | | P610 | | | GTIOC5B | | | | | | | | | SEG29 | | |
| 62 | E1 | 39 | 39 | 30 | 30 | 26 | VCC | | | | | | | | | | | | | | | | |
| 63 | F1 | 40 | 40 | 31 | 31 | 27 | VSS | | | | | | | | | | | | | | | | |
| 64 | F2 | | | | | | | | P603 | | | GTIOC7A | | | CTS9 RTS9/ SS9 | | | | | | | SEG30 | |
| 65 | F3 | | | | | | | | P602 | | | GTIOC7B | | | TXD9/ MOSI9/ SDA9 | | | | | | | SEG31 | |
| 66 | F4 | | | | | | | | P601 | | | GTIOC6A | | | RXD9/ MISO9/ SCL9 | | | | | | | SEG32 | |
| 67 | F5 | | | | | | | | P600 | | | GTIOC6B | | | SCK9 | | | | | | | SEG33 | |
| 68 | G3 | 41 | 41 | | | | | KR07 | P107 | | | GTIOC0A | | | | | | | | | | COM3 | |
| 69 | G2 | 42 | 42 | | | | | KR06 | P106 | | | GTIOC0B | | | | | SSLA3 | | | | | COM2 | |
| 70 | G1 | 43 | 43 | | | | | KR05/ IRQ0 | P105 | | GTETRGA | GTIOC1A | | | | | SSLA2 | | | | | COM1 | TS34 |
| 71 | H1 | 44 | 44 | 32 | 32 | | | KR04/ IRQ1 | P104 | | GTETRGB | GTIOC1B | | | RXD0/ MISO0/ SCL0 | | SSLA1 | | | | | COM0 | TS13 |
| 72 | H3 | 45 | 45 | 33 | 33 | | | KR03 | P103 | | GTOWUP | GTIOC2A | | CTX0 | CTS0 RTS0/ SS0 | | SSLA0 | | AN019 | | CMPREF1 | VL4 | |
| 73 | J1 | 46 | 46 | 34 | 34 | 28 | | KR02 | P102 | AGTO0 | GTOWLO | GTIOC2B | | CRX0 | SCK0 TXD2/ MOSI2/ SDA2 | | RSPCKA | | AN020/ ADTRG0 | | CMPIN1 | VL3 | |
| 74 | H2 | 47 | 47 | 35 | 35 | 29 | | KR01/ IRQ1 | P101 | AGTEE0 | GTETRGB | GTIOC5A | | | TXD0/ MOSI0/ SDA0 CTS1_ RTS1/ SS1 | SDA1 | MOSIA | | AN021 | | CMPREF0 | VL2 | |
| 75 | H4 | 48 | 48 | 36 | 36 | 30 | | KR00/ IRQ2 | P100 | AGTIO0 | GTETRGA | GTIOC5B | | | RXD0/ MISO0/ SCL0 SCK1 | SCL1 | MISOA | | AN022 | | CMPIN0 | VL1 | |
| 76 | K1 | 49 | 49 | 37 | 37 | | | | P500 | AGTOA0 | GTIU | GTIOC2A | | | USB_VB USEN | | | | AN016 | | CMPREF1 | SEG34 | |
| 77 | J2 | 50 | 50 | | | | | | IRQ11 | P501 | AGTOB0 | GTIV | GTIOC2B | | USB_OV RCURA | TXD1/ MOSI1/ SDA1 | | | | AN017 | | CMPIN1 | SEG35 |
| 78 | K2 | 51 | 51 | | | | | | IRQ12 | P502 | | GTIW | GTIOC3B | | USB_OV RCURB | RXD1/ MISO1/ SCL1 | | | | AN018 | | CMPREF0 | SEG36 |
| 79 | G4 | | | | | | | | P503 | | | | | | USB_EXI CEN | SCK1 | | | | AN023 | | CMPIN0 | SEG37 |
| 80 | G5 | | | | | | | | P504 | | | | | | USB_ID | CTS1 RTS1/ SS1 | | | | AN024 | | | |
| 81 | G6 | | | | | | | | IRQ14 | P505 | | | | | | | | | | AN025 | | | |
| 82 | K3 | | | | | | VCC | | | | | | | | | | | | | | | | |

| Pin number | | | | | | | | Timers | | | | Communication interfaces | | | | | Analog | | HMI | | | | |
|------------|--------|--------|-------|--------|-------|-------|-----------------------------------------|-----------|-----------|-----|---------------|--------------------------|-----|------------|-----|-----|--------|-------|-------|--------------|--------|-------|------|
| LQFP100 | LGA100 | LQFP64 | QFN64 | LQFP48 | QFN48 | QFN40 | Power, System, Clock, Debug, CAC, VBATT | Interrupt | I/O ports | AGT | GPT_OPS, POEG | GPT | RTC | USBFS, CAN | SCI | IIC | SPI | SSIE | ADC14 | DAC12, OPAMP | ACMPLP | SLCDC | CTSU |
| 83 | J3 | | | | | | VSS | | | | | | | | | | | | | | | | |
| 84 | J4 | 52 | 52 | 38 | 38 | 31 | | IRQ7 | P015 | | | | | | | | | AN010 | | | | | TS28 |
| 85 | K4 | 53 | 53 | 39 | 39 | 32 | | | P014 | | | | | | | | | AN009 | DA0 | | | | |
| 86 | J5 | 54 | 54 | 40 | 40 | 33 | VREFL | | P013 | | | | | | | | | AN008 | AMP1+ | | | | |
| 87 | K5 | 55 | 55 | 41 | 41 | 34 | VREFH | | P012 | | | | | | | | | AN007 | AMP1- | | | | |
| 88 | H5 | 56 | 56 | 42 | 42 | 35 | AVCC0 | | | | | | | | | | | | | | | | |
| 89 | H6 | 57 | 57 | 43 | 43 | 36 | AVSS0 | | | | | | | | | | | | | | | | |
| 90 | J6 | 58 | 58 | 44 | 44 | 37 | VREFL0 | IRQ15 | P011 | | | | | | | | | AN006 | AMP2+ | | | | TS31 |
| 91 | K6 | 59 | 59 | 45 | 45 | 38 | VREFH0 | | P010 | | | | | | | | | AN005 | AMP2- | | | | TS30 |
| 92 | J7 | | | | | | | | P008 | | | | | | | | | AN014 | | | | | |
| 93 | H7 | | | | | | | | P007 | | | | | | | | | AN013 | AMP3O | | | | |
| 94 | G7 | | | | | | | | P006 | | | | | | | | | AN012 | AMP3- | | | | |
| 95 | K7 | | | | | | | IRQ10 | P005 | | | | | | | | | AN011 | AMP3+ | | | | |
| 96 | J8 | 60 | 60 | | | | | IRQ3 | P004 | | | | | | | | | AN004 | AMP2O | | | | |
| 97 | H8 | 61 | 61 | | | | | | P003 | | | | | | | | | AN003 | AMP1O | | | | |
| 98 | K8 | 62 | 62 | 46 | 46 | | | IRQ2 | P002 | | | | | | | | | AN002 | AMP0O | | | | |
| 99 | K9 | 63 | 63 | 47 | 47 | 39 | | IRQ7 | P001 | | | | | | | | | AN001 | AMP0- | | | | TS22 |
| 100 | K10 | 64 | 64 | 48 | 48 | 40 | | IRQ6 | P000 | | | | | | | | | AN000 | AMP0+ | | | | TS21 |

2. CPU

The MCU is based on the Arm® Cortex®-M4 core.

2.1 Overview

2.1.1 CPU

- Arm Cortex-M4
 - Revision: r0p1-01rel0
 - Armv7E-M architecture profile
 - Single precision floating-point unit compliant with the ANSI/IEEE Std 754-2008.
- Memory Protection Unit (MPU)
 - Armv7 Protected Memory System Architecture
 - 8 protected regions.
- SysTick timer
 - Driven by SYSTICCLK (LOCO) or ICLK.

See [reference 1.](#) and [reference 2.](#) in [section 2.12](#) for details.

2.1.2 Debug

- Arm CoreSight™ ETM™-M4
 - Revision: r0p1-00rel0
 - Arm ETM Architecture version 3.5.
- CoreSight Instrumentation Trace Macrocell (ITM)
- Data Watchpoint and Trace Unit (DWT)
 - 4 comparators for watchpoints and triggers.
- Flash Patch and Breakpoint Unit (FPB)
 - Flash Patch (Remap) function is unavailable, only Breakpoint function is available
 - 6 instruction comparators
 - 2 literal comparators.
- CoreSight Time Stamp Generator (TSG)
 - Time stamp for ETM and ITM
 - Driven by CPU clock.
- Debug Register Module (DBGREG)
 - Reset control
 - Halt control.
- CoreSight Debug Access Port (DAP)
 - JTAG Debug Port (JTAG-DP)
 - Serial Wire Debug Port (SW-DP).
- Cortex-M4 Trace Port Interface Unit (TPIU)
 - Serial Wire Output (SWO).
- CoreSight Embedded Trace Buffer (ETB)
 - CoreSight Trace Memory Controller with ETB configuration
 - Buffer size: 1 KB.

See [reference 1.](#) and [2.](#) in [section 2.12](#) for details.

2.1.3 Operating Frequency

The operating frequencies for the MCU are as follows:

- CPU: maximum 48 MHz
- Serial Wire Output (SWO) trace interface: maximum 12.5 MHz
- Joint Test Action Group (JTAG) interface: maximum 12.5 MHz
- Serial Wire Debug (SWD) interface: maximum 12.5 MHz.

Figure 2.1 shows a block diagram of the Cortex-M4 CPU.

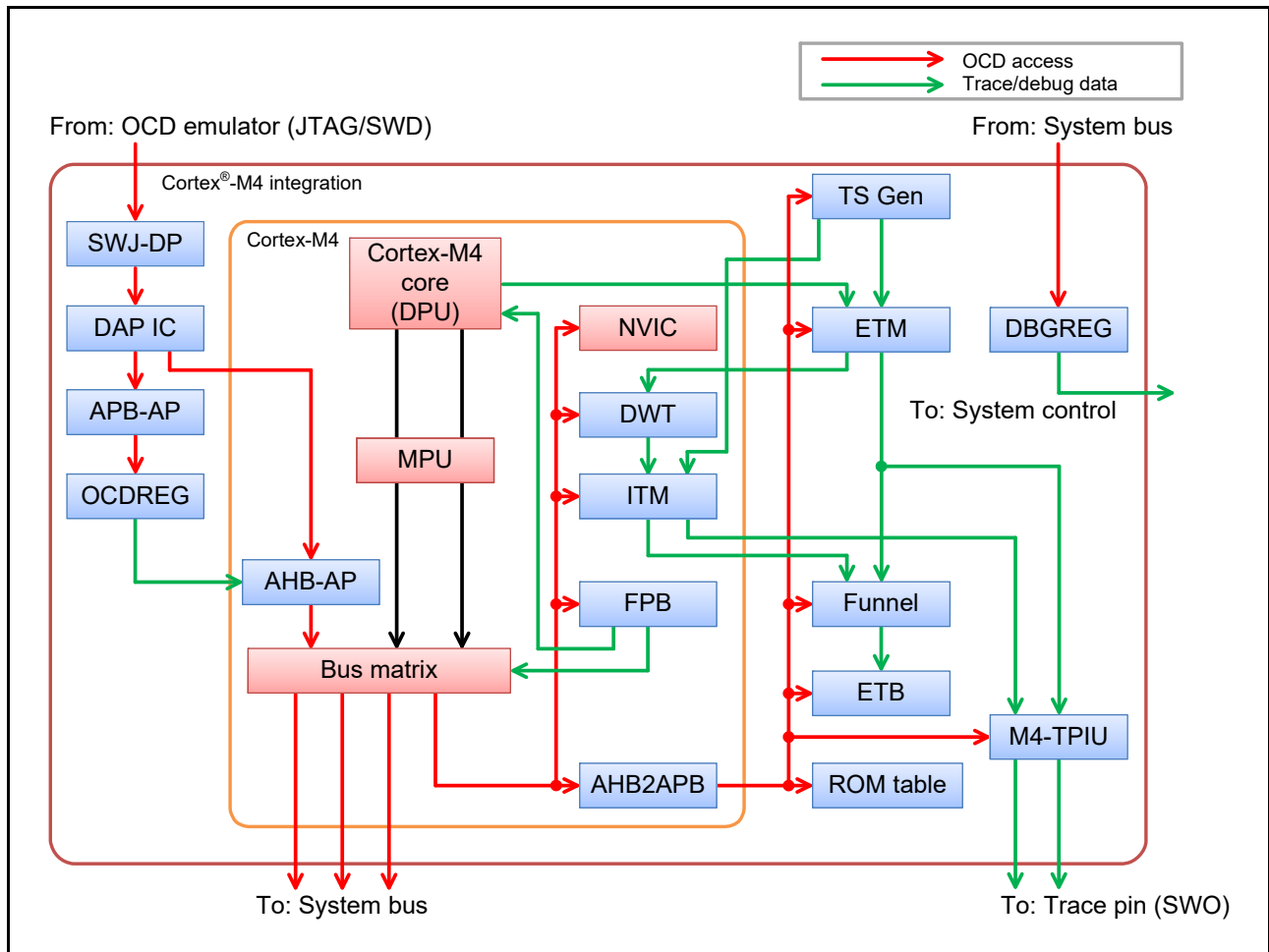


Figure 2.1 Cortex-M4 CPU block diagram

2.2 MCU Implementation Options

Table 2.1 shows the implementation options of the MCU and is based on the configurable options in [reference 2](#).

Table 2.1 Implementation options

| Option | Description |
|-----------------------------------|----------------------------------------------------------------------------------------------------------------------------------------------------------------------------------------------------------------------------------------------------------------|
| MPU | Included, 8 protected regions |
| FPB | Flash Patch (Remap) function is unavailable, only Breakpoint function is available |
| DWT | Included |
| ITM | Included |
| ETM | Included |
| AHB-AP | Included |
| HTM interface | Not included |
| TPIU | Included (only Serial Wire Output) |
| WIC | Not included The ICU can wake up the CPU instead of the Wakeup Interrupt Controller (WIC). For more details, see section 13, Interrupt Controller Unit (ICU) . |
| Debug Port | SWJ-DP |
| FPU | Included |
| Number of interrupts | 32 |
| Number of priority bits | 4 bits (16 levels) |
| Endianness | Little-endian |
| Time Stamp Generator | Included |
| ETB | Included |
| Sleep mode power saving | Sleep mode and other low power modes are supported. See section 10, Low Power Modes for more details. SCB.SCR.SLEEPDEEP is ignored. |
| Memory features | Cacheable attribute is utilized in the MCU. See section 14, Buses for more details. |
| SysTick timer | Included SYST_CALIB = 4000 0147h Bit [31]: 0 Reference clock provided Bit [30]: 1 TERMS value is inexact Bits [29:24]: 00h Reserved Bits [23:0]: 000147h TERM: (32768 * 10ms) - 1/32.768 kHz = 326.66 decimal = 327 with skew = 00147h |
| Event input/output | Not implemented |
| System reset request output | The SYSRESETREQ bit in the Application Interrupt and Reset Control Register causes a CPU reset |
| Auxiliary fault inputs (AUXFAULT) | Not implemented |

2.3 Trace Interface

A Serial Wire Output (SWO) provides trace output. [Table 2.2](#) shows the MCU pin for the trace function. This pin is multiplexed with other functions.

Table 2.2 Trace function pin

| Name | I/O | Width | Function | When not in use |
|---------|--------|-------|------------------------------------------------------|-----------------|
| TDO/SWO | Output | 1 bit | Serial wire output pin multiplexed with JTAG TDO pin | Open |

2.4 JTAG/SWD Interface

Table 2.3 shows the JTAG/SWD pins.

Table 2.3 JTAG/SWD pins

| Name | I/O | P/N | Width | Function | When not in use |
|-----------|--------|----------|-------|---------------------------------------|-----------------|
| TCK/SWCLK | Input | Positive | 1 bit | JTAG clock pin/SWD clock pin | Pull-up |
| TMS/SWDIO | I/O | Negative | 1 bit | JTAG TMS pin/SWD I/O pin | Pull-up |
| TDI | Input | Positive | 1 bit | JTAG TDI pin | Pull-up |
| TDO/SWO | Output | Negative | 1 bit | JTAG TDO pin multiplexed with SWO pin | Open |

2.5 Debug Mode

2.5.1 Debug Mode Definition

In single chip mode, the debugger connection state is defined as OCD (On-Chip Debugger) mode, and the non-connected debugger state is defined as User mode. Table 2.4 shows the CPU debug modes and usage conditions.

Table 2.4 CPU debug mode and conditions

| Conditions | | Mode | |
|---------------|-------------------------|------------|----------------------|
| OCD connect | JTAG/SWD authentication | Debug mode | Debug authentication |
| Not connected | - | User mode | Disabled |
| Connected | Failed | User mode | Disabled |
| Connected | Passed | OCD mode | Enabled |

Note 1. OCD connect is determined by the CDBGPWRUPREQ bit output in the SWJ-DP register. The bit can only be written by the OCD. However, the level of the bit can be confirmed by reading the DBGSTR.CDBGPWRUPREQ bit.

Note 2. Debug authentication is defined by the Armv7-M architecture. Enabled means that both invasive and non-invasive CPU debugging are permitted. Disabled means that both are not permitted.

2.5.2 Debug Mode Effects

This section describes the effects of debug mode, which occur both internally and externally to the CPU.

2.5.2.1 Low power mode

All CoreSight debug components can store the register settings even when the CPU enters Software Standby or Snooze mode. However, AHB-AP cannot respond to On-Chip Debug (OCD) access in these low power modes. The OCD must wait for cancellation of the low power mode to access the CoreSight debug components. To request low power mode cancellation, the OCD can set the DBIRQ bit in the MCUCTRL register. For details, see [section 2.6.5.3, MCU Control Register \(MCUCTRL\)](#).

2.5.2.2 Reset

In OCD mode, some resets depend on the CPU status and the DBGSTOPCR setting.

Table 2.5 Reset or interrupt and mode setting (1 of 2)

| Reset or interrupt name | Control in On-Chip Debug (OCD) mode | |
|-----------------------------------------------|-------------------------------------|-------------------------------|
| | OCD break mode | OCD run mode |
| RES pin reset | Same as user mode | |
| Power-on reset | Same as user mode | |
| Independent watchdog timer reset or interrupt | Does not occur*1 | Depend on DBGSTOPCR setting*2 |
| Watchdog timer reset or interrupt | Does not occur*1 | Depend on DBGSTOPCR setting*2 |
| Voltage monitor 0 reset | Depends on DBGSTOPCR setting*3 | |

Table 2.5 Reset or interrupt and mode setting (2 of 2)

| Reset or interrupt name | Control in On-Chip Debug (OCD) mode | |
|----------------------------------------|-------------------------------------|--------------|
| | OCD break mode | OCD run mode |
| Voltage monitor 1 reset or interrupt | Depends on DBGSTOPPCR setting*3 | |
| Voltage monitor 2 reset or interrupt | Depends on DBGSTOPPCR setting*3 | |
| SRAM parity error reset or interrupt | Depends on DBGSTOPPCR setting*3 | |
| SRAM ECC error reset or interrupt | Depends on DBGSTOPPCR setting*3 | |
| MPU bus master reset or interrupt | Same as user mode | |
| MPU bus slave reset or interrupt | Same as user mode | |
| Stack pointer error reset or interrupt | Same as user mode | |
| Software reset | Same as user mode | |

Note: In OCD break mode, the CPU is halted. In OCD run mode, the CPU is in OCD mode and the CPU is not halted.

Note 1. The IWDT and WDT always stop in this mode.

Note 2. The IWDT and WDT operation depends on the DBGSTOPPCR setting.

Note 3. Reset or interrupt masking depends on the DBGSTOPPCR setting.

2.6 Programmers Model

2.6.1 Address Spaces

The MCU debug system includes two CoreSight Access Ports (AP):

- AHB-AP, which is connected to the CPU bus matrix and has the same access to the system address space as the CPU
- APB-AP, which has a dedicated address space (OCD address space) and is connected to the OCD register.

Figure 2.2 shows a block diagram of the AP connection and address spaces.

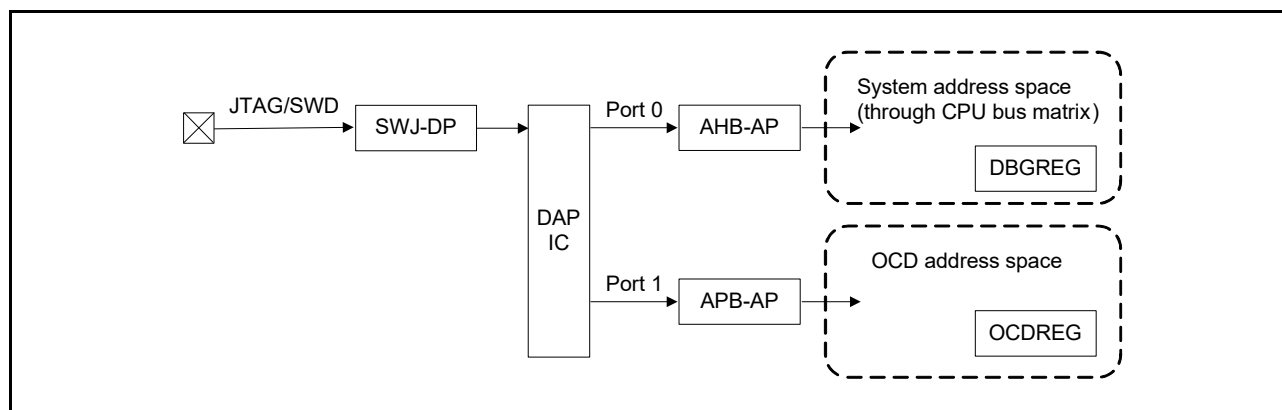


Figure 2.2 JTAG/SWD authentication block diagram

For debugging purposes, there are two register modules, DBGREG and OCDREG. DBGREG is located in the system address space and can be accessed from the OCD emulator, the CPU, and other bus masters in the MCU. OCDREG is located in the OCD address space and can only be accessed from the OCD tool. The CPU and other bus masters cannot access the OCD registers.

2.6.2 Cortex-M4 Peripheral Address Map

In the system address space, the Cortex-M4 core has a Private Peripheral Bus (PPB) that can only be accessed from the CPU and OCD emulator. The PPB is expanded from the Cortex-M4 original implementation for the MCU. Table 2.6 shows the address map of the MCU.

Table 2.6 Cortex-M4 peripheral address map

| Component name | Start address | End address | Note |
|----------------------|---------------|-------------|----------------------------------------------------------------------------------------------------|
| ITM | E000 0000h | E000 0FFFh | See reference 2 . |
| DWT | E000 1000h | E000 1FFFh | See reference 2 . |
| FPB | E000 2000h | E000 2FFFh | See reference 2 . |
| SCS | E000 E000h | E000 EFFFh | See reference 2 . |
| TPIU | E004 0000h | E004 0FFFh | See reference 2 . |
| ETM | E004 1000h | E004 1FFFh | See reference 5 . |
| ATB Funnel | E004 2000h | E004 2FFFh | See section 2.7, CoreSight ATB Funnel and reference 4 . |
| ETB | E004 3000h | E004 3FFFh | See reference 6 . |
| Time Stamp Generator | E004 4000h | E004 4FFFh | See section 2.10, CoreSight Time Stamp Generator and reference 4 . |
| ROM Table | E00F F000h | E00F FFFFh | See section 2.6.3, CoreSight ROM Table and reference 7 . |

2.6.3 CoreSight ROM Table

The MCU contains one CoreSight ROM Table, which lists the Arm components.

2.6.3.1 ROM entries

[Table 2.7](#) shows the ROM entries in the CoreSight ROM Table. The OCD emulator can use the ROM entries to determine which components are implemented in a system. See [reference 7](#). for details.

Table 2.7 CoreSight ROM Table

| # | Address | Access size | R/W | Value | Target module |
|---|------------|-------------|-----|-----------|------------------|
| 0 | E00F F000h | 32 bits | R | FFF0 F003 | SCS |
| 1 | E00F F004h | 32 bits | R | FFF0 2003 | DWT |
| 2 | E00F F008h | 32 bits | R | FFF0 3003 | FPB |
| 3 | E00F F00Ch | 32 bits | R | FFF0 1003 | ITM |
| 4 | E00F F010h | 32 bits | R | FFF4 1003 | TPIU |
| 5 | E00F F014h | 32 bits | R | FFF4 2003 | ETM |
| 6 | E00F F018h | 32 bits | R | FFF4 3003 | Funnel |
| 7 | E00F F01Ch | 32 bits | R | FFF4 4003 | ETB |
| 8 | E00F F020h | 32 bits | R | FFF4 5003 | TSG |
| 9 | E00F F024h | 32 bits | R | 0000 0000 | (End of entries) |

2.6.3.2 CoreSight component registers

The CoreSight ROM Table lists the CoreSight component registers defined in the Arm CoreSight architecture.

[Table 2.8](#) shows the registers. See [reference 7](#). for details of each register.

Table 2.8 CoreSight component registers in the CoreSight ROM Table

| Name | Address | Access size | R/W | Initial value |
|---------|------------|-------------|-----|---------------|
| DEVTYPE | E00F FFCCh | 32 bits | R | 0000 0001h |
| PID4 | E00F FFD0h | 32 bits | R | 0000 0004h |
| PID5 | E00F FFD4h | 32 bits | R | 0000 0000h |
| PID6 | E00F FFD8h | 32 bits | R | 0000 0000h |
| PID7 | E00F FFDCh | 32 bits | R | 0000 0000h |
| PID0 | E00F FFE0h | 32 bits | R | 0000 0016h |
| PID1 | E00F FFE4h | 32 bits | R | 0000 0030h |
| PID2 | E00F FFE8h | 32 bits | R | 0000 000Ah |
| PID3 | E00F FFECh | 32 bits | R | 0000 0000h |
| CID0 | E00F FFF0h | 32 bits | R | 0000 000Dh |
| CID1 | E00F FFF4h | 32 bits | R | 0000 0010h |
| CID2 | E00F FFF8h | 32 bits | R | 0000 0005h |
| CID3 | E00F FFFCh | 32 bits | R | 0000 00B1h |

2.6.4 DBGREG Module

The DBGREG register module controls the debug functionalities and is implemented as a CoreSight-compliant component.

Table 2.9 shows the DBGREG registers other than the CoreSight component registers.

Table 2.9 Non-CoreSight DBGREG registers

| Name | DAP port | Address | Access size | R/W |
|-----------------------------|----------|------------|-------------|-----|
| Debug Status Register | Port 0 | 4001 B000h | 32 bits | R |
| Debug Stop Control Register | Port 0 | 4001 B010h | 32 bits | R/W |
| Trace Control Register | Port 0 | 4001 B020h | 32 bits | R/W |

2.6.4.1 Debug Status Register (DBGSTR)

Address(es): [DBG.DBGSTR 4001 B000h](#)

| Bit | Symbol | Bit name | Description | R/W |
|-----------|------------------------------|----------------------------|---------------------------------------------------------------------------------------------|-----|
| b31 | — | Reserved | These bits are read as 0 | R |
| b30 | — | Reserved | | |
| b29 | CDBGPWRUPACK | Debug power-up acknowledge | 0: Debug power-up request is not acknowledged 1: Debug power-up request is acknowledged. | R |
| b28 | CDBGPWRUPREQ | Debug power-up request | 0: OCD is not requesting debug power up 1: OCD is requesting debug power up. | R |
| b27 to b0 | — | Reserved | These bits are read as 0 | R |
| b26 | — | Reserved | | |
| b25 | — | Reserved | These bits are read as 0 | R |
| b24 | — | Reserved | | |
| b23 | — | Reserved | These bits are read as 0 | R |
| b22 | — | Reserved | | |
| b21 | — | Reserved | These bits are read as 0 | R |
| b20 | — | Reserved | | |
| b19 | — | Reserved | These bits are read as 0 | R |
| b18 | — | Reserved | | |
| b17 | — | Reserved | These bits are read as 0 | R |
| b16 | — | Reserved | | |
| b15 | — | Reserved | These bits are read as 0 | R |
| b14 | — | Reserved | | |
| b13 | — | Reserved | These bits are read as 0 | R |
| b12 | — | Reserved | | |
| b11 | — | Reserved | These bits are read as 0 | R |
| b10 | — | Reserved | | |
| b9 | — | Reserved | These bits are read as 0 | R |
| b8 | — | Reserved | | |
| b7 | — | Reserved | These bits are read as 0 | R |
| b6 | — | Reserved | | |
| b5 | — | Reserved | These bits are read as 0 | R |
| b4 | — | Reserved | | |
| b3 | — | Reserved | These bits are read as 0 | R |
| b2 | — | Reserved | | |
| b1 | — | Reserved | These bits are read as 0 | R |
| b0 | — | Reserved | | |

| Bit | Symbol | Bit name | Description | R/W |
|-----------|------------------------------|----------------------------|---------------------------------------------------------------------------------------------|-----|
| b27 to b0 | — | Reserved | These bits are read as 0 | R |
| b28 | CDBGPWRUPREQ | Debug power-up request | | |
| b29 | CDBGPWRUPACK | Debug power-up acknowledge | 0: Debug power-up request is not acknowledged 1: Debug power-up request is acknowledged. | R |
| b31, b30 | — | Reserved | These bits are read as 0 | R |
| b31 | — | Reserved | | |

2.6.4.2 Debug Stop Control Register (DBGSTOPCR)

Address(es): [DBG.DBGSTOPCR 4001 B010h](#)

| Bit | Symbol | Bit name | Description | R/W |
|-----|--------|----------|--------------------------|-----|
| b31 | — | Reserved | These bits are read as 0 | R |
| b30 | — | Reserved | | |
| b29 | — | Reserved | These bits are read as 0 | R |
| b28 | — | Reserved | | |
| b27 | — | Reserved | These bits are read as 0 | R |
| b26 | — | Reserved | | |
| b25 | — | Reserved | These bits are read as 0 | R |
| b24 | — | Reserved | | |
| b23 | — | Reserved | These bits are read as 0 | R |
| b22 | — | Reserved | | |
| b21 | — | Reserved | These bits are read as 0 | R |
| b20 | — | Reserved | | |
| b19 | — | Reserved | These bits are read as 0 | R |
| b18 | — | Reserved | | |
| b17 | — | Reserved | These bits are read as 0 | R |
| b16 | — | Reserved | | |
| b15 | — | Reserved | These bits are read as 0 | R |
| b14 | — | Reserved | | |
| b13 | — | Reserved | These bits are read as 0 | R |
| b12 | — | Reserved | | |
| b11 | — | Reserved | These bits are read as 0 | R |
| b10 | — | Reserved | | |
| b9 | — | Reserved | These bits are read as 0 | R |
| b8 | — | Reserved | | |
| b7 | — | Reserved | These bits are read as 0 | R |
| b6 | — | Reserved | | |
| b5 | — | Reserved | These bits are read as 0 | R |
| b4 | — | Reserved | | |
| b3 | — | Reserved | These bits are read as 0 | R |
| b2 | — | Reserved | | |
| b1 | — | Reserved | These bits are read as 0 | R |
| b0 | — | Reserved | | |

| Bit | Symbol | Bit name | Description | R/W |
|-----|------------------------------|--------------------------------------|------------------------------------------------------------------------------------------------------------------------|-----|
| b0 | DBGSTOP_IWDT | Mask bit for IWDT reset or interrupt | 0: Enable IWDT reset or interrupt 1: Mask IWDT reset or interrupt and stop WDT count when CPU is in OCD break mode. | R/W |

| Bit | Symbol | Bit name | Description | R/W |
|------------|------------------|---------------------------------------------------|----------------------------------------------------------------------------------------------------------------------|-----|
| b1 | DBGSTOP_WDT | Mask bit for WDT reset or interrupt | 0: Enable WDT reset or interrupt 1: Mask WDT reset or interrupt and stop WDT count when CPU is in OCD break mode. | R/W |
| b15 to b2 | — | Reserved | These bits are read as 0. The write value should be 0. | R/W |
| b16 | DBGSTOP_LVD[2:0] | Mask bit for LVD0 reset | 0: Enable LVD0 reset 1: Mask LVD0 reset. | R/W |
| b17 | | Mask bit for LVD1 reset or interrupt | 0: Enable LVD1 reset or interrupt 1: Mask LVD1 reset or interrupt. | R/W |
| b18 | | Mask bit for LVD2 reset or interrupt | 0: Enable LVD2 reset or interrupt 1: Mask LVD2 reset or interrupt. | R/W |
| b23 to b19 | — | Reserved | These bits are read as 0. The write value should be 0. | R/W |
| b24 | DBGSTOP_RPER | Mask bit for SRAM parity error reset or interrupt | 0: Enable SRAM parity error reset or interrupt 1: Mask SRAM parity error reset or interrupt. | R/W |
| b25 | DBGSTOP_RECCE | Mask bit for SRAM ECC error reset or interrupt | 0: Enable SRAM ECC error reset or interrupt 1: Mask SRAM ECC error reset or interrupt. | R/W |
| b31 to b26 | — | Reserved | These bits are read as 0. The write value should be 0. | R/W |

The Debug Stop Control Register (DBGSTOPCR) specifies the functional stop in OCD mode. All bits in the register are regarded as 0 when the MCU is not in OCD mode.

2.6.4.3 Trace Control Register (TRACECTR)

Address(es): DBG.TRACECTR 4001 B020h

| | | | | | | | | | | | | | | | |
|--------------------|-----|-----|-----|-----|-----|-----|-----|-----|-----|-----|-----|-----|-----|-----|-----|
| b31 | b30 | b29 | b28 | b27 | b26 | b25 | b24 | b23 | b22 | b21 | b20 | b19 | b18 | b17 | b16 |
| ENETB FULL | — | — | — | — | — | — | — | — | — | — | — | — | — | — | — |
| Value after reset: | 0 | 0 | 0 | 0 | 0 | 0 | 0 | 0 | 0 | 0 | 0 | 0 | 0 | 0 | 0 |
| b15 | b14 | b13 | b12 | b11 | b10 | b9 | b8 | b7 | b6 | b5 | b4 | b3 | b2 | b1 | b0 |
| — | — | — | — | — | — | — | — | — | — | — | — | — | — | — | — |
| Value after reset: | 0 | 0 | 0 | 0 | 0 | 0 | 0 | 0 | 0 | 0 | 0 | 0 | 0 | 0 | 0 |

| Bit | Symbol | Bit name | Description | R/W |
|-----------|-----------|-----------------------------------------|-------------------------------------------------------------------------|-----|
| b30 to b0 | — | Reserved | These bits are read as 0. The write value should be 0. | R/W |
| b31 | ENETBFULL | Enable bit for halt request on ETB full | 0: ETB full does not cause a CPU halt 1: ETB full causes a CPU halt. | R/W |

2.6.4.4 DBGREG CoreSight component registers

The DBGREG module provides the CoreSight component registers defined in the Arm CoreSight architecture. [Table 2.10](#) lists these registers. See [reference 7](#). for details of each register.

Table 2.10 DBGREG CoreSight component registers

| Name | Address | Access size | R/W | Initial value |
|------|------------|-------------|-----|---------------|
| PID4 | 4001 BFD0h | 32 bits | R | 0000 0004h |
| PID5 | 4001 BFD4h | 32 bits | R | 0000 0000h |
| PID6 | 4001 BFD8h | 32 bits | R | 0000 0000h |
| PID7 | 4001 BFDCh | 32 bits | R | 0000 0000h |
| PID0 | 4001 BFE0h | 32 bits | R | 0000 0005h |
| PID1 | 4001 BFE4h | 32 bits | R | 0000 0030h |

Table 2.10 DBGREG CoreSight component registers

| Name | Address | Access size | R/W | Initial value |
|------|-------------|-------------|-----|---------------|
| PID2 | 4001 BFE8h | 32 bits | R | 0000 001Ah |
| PID3 | 4001 BFEC h | 32 bits | R | 0000 0000h |
| CID0 | 4001 BFF0h | 32 bits | R | 0000 000Dh |
| CID1 | 4001 BFF4h | 32 bits | R | 0000 00F0h |
| CID2 | 4001 BFF8h | 32 bits | R | 0000 0005h |
| CID3 | 4001 BFFCh | 32 bits | R | 0000 00B1h |

2.6.5 OCDREG Module

The OCDREG module controls the On-Chip Debug (OCD) emulator functionalities and is implemented as a CoreSight-compliant component. Table 2.11 shows the OCDREG registers.

Table 2.11 OCDREG registers

| Name | DAP port | Address | Access size | R/W | |
|-----------------------------------|----------|---------|-------------|---------|-----|
| ID Authentication Code Register 0 | IAUTH0 | Port 1 | 8000 0000h | 32 bits | W |
| ID Authentication Code Register 1 | IAUTH1 | Port 1 | 8000 0100h | 32 bits | W |
| ID Authentication Code Register 2 | IAUTH2 | Port 1 | 8000 0200h | 32 bits | W |
| ID Authentication Code Register 3 | IAUTH3 | Port 1 | 8000 0300h | 32 bits | W |
| MCU Status Register | MCUSTAT | Port 1 | 8000 0400h | 32 bits | R |
| MCU Control Register | MCUCTRL | Port 1 | 8000 0410h | 32 bits | R/W |

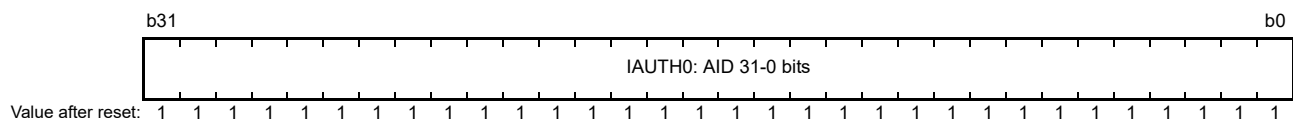
Note: OCDREG is located in the dedicated OCD address space. This address map is independent of the system address map.

2.6.5.1 ID Authentication Code Register (IAUTH0 to 3)

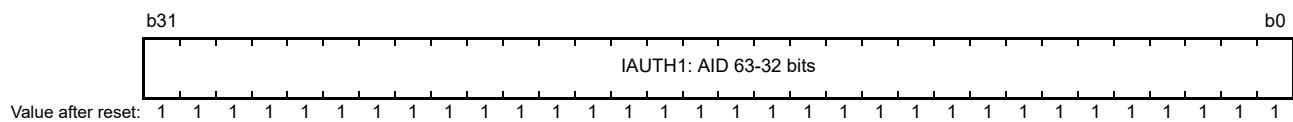
Four authentication registers are provided for writing the 128-bit key. These registers must be written in sequential order from IAUTH0 to IAUTH3. If the set of register writes is not compliant with this order, the result is unpredictable.

Only 32-bit writes are permitted. The initial value of the registers is all 1s. This means that JTAG/SWD access is initially permitted when the ID code in the OSIS register has the initial value. See section 2.11.2, [Unlock ID Code](#).

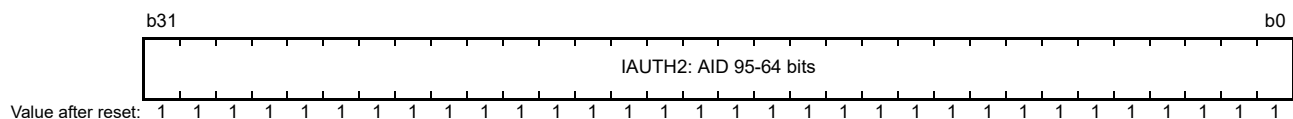
Address(es): [IAUTH0 8000 0000h](#)



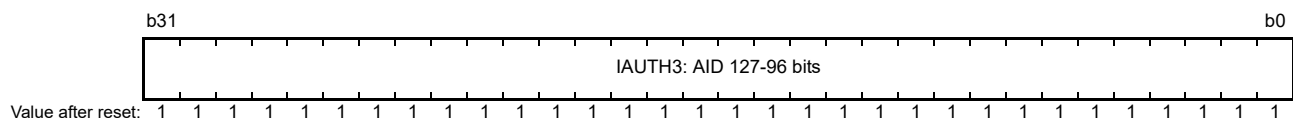
Address(es): [IAUTH1 8000 0100h](#)



Address(es): [IAUTH2 8000 0200h](#)



Address(es): [IAUTH3 8000 0300h](#)



2.6.5.2 MCU Status Register (MCUSTAT)

Address(es): MCUSTAT 8000 0400h

| | | | | | | | | | | | | | | | | | |
|--------------------|-----|-----|-----|-----|-----|-----|-----|-----|-----|-----|-----|-----|-----|------------|----------|-------|---|
| | b31 | b30 | b29 | b28 | b27 | b26 | b25 | b24 | b23 | b22 | b21 | b20 | b19 | b18 | b17 | b16 | |
| | — | — | — | — | — | — | — | — | — | — | — | — | — | — | — | — | |
| Value after reset: | 0 | 0 | 0 | 0 | 0 | 0 | 0 | 0 | 0 | 0 | 0 | 0 | 0 | 0 | 0 | 0 | |
| | b15 | b14 | b13 | b12 | b11 | b10 | b9 | b8 | b7 | b6 | b5 | b4 | b3 | b2 | b1 | b0 | |
| | — | — | — | — | — | — | — | — | — | — | — | — | — | CPUSTOPCLK | CPUSLEEP | AUTH | |
| Value after reset: | 0 | 0 | 0 | 0 | 0 | 0 | 0 | 0 | 0 | 0 | 0 | 0 | 0 | 0 | 1/0*1 | 1/0*1 | 0 |

| Bit | Symbol | Bit name | Description | R/W |
|-----------|------------|-----------------------|--------------------------------------------------------------------------------------------------------------------------------------------------------------------------------------|-----|
| b0 | AUTH | Authentication status | 0: Authentication failed 1: Authentication succeeded. | R |
| b1 | CPUSLEEP | - | 0: CPU not in Sleep mode 1: CPU in Sleep mode. | R |
| b2 | CPUSTOPCLK | - | 0: CPU clock is not stopped, indicating that the MCU is in Normal mode or Sleep mode 1: CPU clock is stopped, indicating that the MCU is in Snooze mode or Software Standby mode. | R |
| b31 to b3 | — | Reserved | These bits are read as 0 | R |

Note 1. Depends on the MCU status.

2.6.5.3 MCU Control Register (MCUCTRL)

Address(es): MCUCTRL 8000 0410h

| | | | | | | | | | | | | | | | | |
|--------------------|-----|-----|-----|-----|-----|-----|-----|-------|-----|-----|-----|-----|-----|-----|-----|--------|
| | b31 | b30 | b29 | b28 | b27 | b26 | b25 | b24 | b23 | b22 | b21 | b20 | b19 | b18 | b17 | b16 |
| | — | — | — | — | — | — | — | — | — | — | — | — | — | — | — | — |
| Value after reset: | 0 | 0 | 0 | 0 | 0 | 0 | 0 | 0 | 0 | 0 | 0 | 0 | 0 | 0 | 0 | 0 |
| | b15 | b14 | b13 | b12 | b11 | b10 | b9 | b8 | b7 | b6 | b5 | b4 | b3 | b2 | b1 | b0 |
| | — | — | — | — | — | — | — | DBIRQ | — | — | — | — | — | — | — | EDBGRQ |
| Value after reset: | 0 | 0 | 0 | 0 | 0 | 0 | 0 | 0 | 0 | 0 | 0 | 0 | 0 | 0 | 0 | 0 |

| Bit | Symbol | Bit name | Description | R/W |
|-----------|--------|-------------------------|---------------------------------------------------------------------------------------------------------------------------------------------------------------------------------------------------------------------|-----|
| b0 | EDBGRQ | External Debug Request | Writing 1 to the bit causes a CPU halt or debug monitor exception. 0: Debug event not requested 1: Debug event requested. When the EDBGRQ bit is set to 0 or the CPU is halted, the EDBGRQ bit is cleared. | R/W |
| b7 to b1 | — | Reserved | These bits are read as 0. The write value should be 0. | R/W |
| b8 | DBIRQ | Debug Interrupt Request | Writing 1 to the bit wakes the MCU from low power mode. 0: Debug interrupt not requested 1: Debug interrupt requested. The condition can be cleared by writing 0 to the DBIRQ bit. | R/W |
| b31 to b9 | — | Reserved | These bits are read as 0. The write value should be 0. | R/W |

Note: Set DBIRQ and EDBGRQ to the same value.

2.6.5.4 OCDREG CoreSight component registers

The OCDREG module provides the CoreSight component registers defined in the Arm CoreSight architecture. [Table 2.12](#) lists these registers. See [reference 7](#) for details on each register.

Table 2.12 OCDREG CoreSight component registers

| Name | Address | Access size | R/W | Initial value |
|------|------------|-------------|-----|---------------|
| PID4 | 8000 0FD0h | 32 bits | R | 0000 0004h |
| PID5 | 8000 0FD4h | 32 bits | R | 0000 0000h |
| PID6 | 8000 0FD8h | 32 bits | R | 0000 0000h |
| PID7 | 8000 0FDCh | 32 bits | R | 0000 0000h |
| PID0 | 8000 0FE0h | 32 bits | R | 0000 0004h |
| PID1 | 8000 0FE4h | 32 bits | R | 0000 0030h |
| PID2 | 8000 0FE8h | 32 bits | R | 0000 000Ah |
| PID3 | 8000 0FECh | 32 bits | R | 0000 0000h |
| CID0 | 8000 0FF0h | 32 bits | R | 0000 000Dh |
| CID1 | 8000 0FF4h | 32 bits | R | 0000 00F0h |
| CID2 | 8000 0FF8h | 32 bits | R | 0000 0005h |
| CID3 | 8000 0FFCh | 32 bits | R | 0000 00B1h |

2.7 CoreSight ATB Funnel

There is one CoreSight ATB Funnel in the MCU. The funnel has two ATB slaves and one ATB master, and it selects the debug trace source from ETM and ITM to ETB. [Figure 2.3](#) shows the CoreSight ATB connection in the MCU.

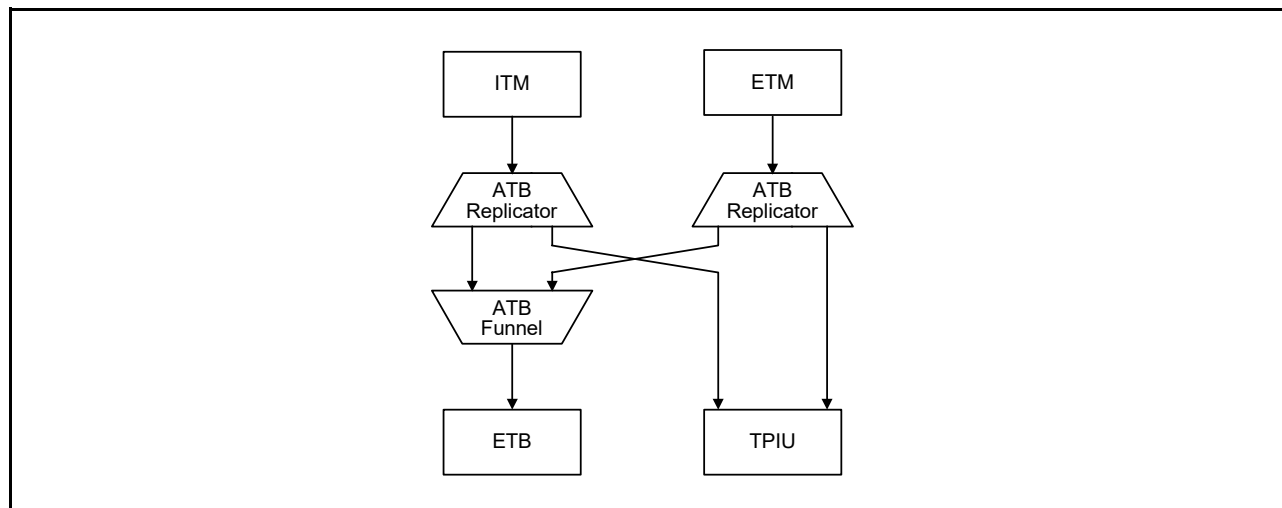


Figure 2.3 CoreSight ATB connection

[Table 2.13](#) shows the ATB slave connection for the funnel.

Table 2.13 ATB slave connection

| ATB slave number | Connected trace source |
|------------------|------------------------|
| #0 | ITM |
| #1 | ETM |

See [reference 4](#). for details on ATB and funnel.

2.8 Flash Patch and Break Unit

The MCU has a flash patch and break unit. Breakpoint function is available, but flash patch (Remap) function is unavailable. Therefore, do not set the REPLACE bits [31:30] in the FP_COMPn register to 0. Bit [28] of FP_REMAP register is always set to 1. When writing to this register, write 1 to bit [28]. When reading this register, bit [28] is always read as 1. See [reference 1](#). for details.

2.9 SysTick System Timer

The SysTick system timer provides a simple 24-bit down counter. The reference clock for the timer can be selected as the CPU clock (ICLK) or SysTick Timer clock (SYSTICCLK). See [section 8, Clock Generation Circuit](#) and [reference 1.*1](#) for details.

Note 1. In [reference 1.](#), the clock names are as follows:

- The IMPLEMENTATION DEFINED external reference clock is SYSTICCLK (LOCO).
- The processor clock is ICLK.

2.10 CoreSight Time Stamp Generator

A CoreSight Time Stamp Generator provides a CPU clock-based timestamp to ITM and ETM. The 48 LSB bits of the 64-bit counter are used for the two components. See [reference 4](#). for details.

2.11 OCD Emulator Connection

A JTAG/SWD authentication mechanism checks access permission for debug and MCU resources. To obtain full debug functionality, a pass result of the authentication mechanism is required. [Figure 2.4](#) shows a block diagram of the authentication mechanism.

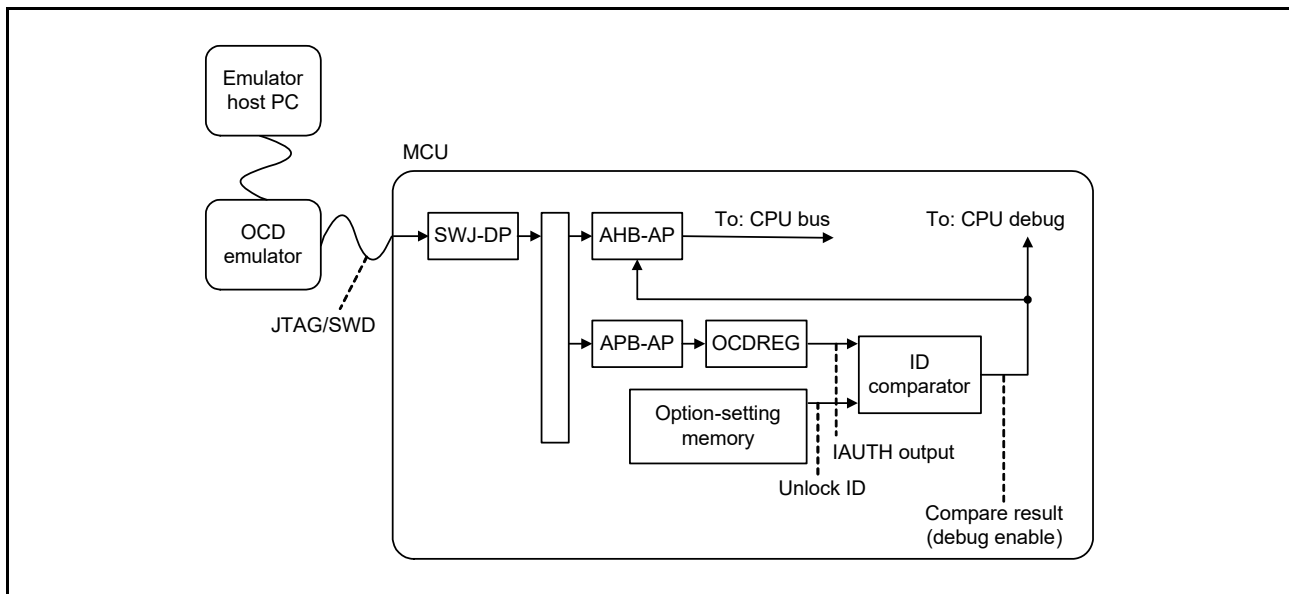


Figure 2.4 Authentication mechanism block diagram

An ID comparator is available in the MCU for authentication. The comparator compares the 128-bit IAUTH output from OCDREG and the 128-bit unlock ID code from the option-setting memory. When the two outputs are identical, the CPU debug functions and system bus access from the OCD emulator are permitted.

2.11.1 DBGEN

After the OCD emulator gets access permission, the OCD emulator must set the DBGEN bit in the System Control OCD Control Register (SYOCDCR). In addition, the OCD emulator must clear the DBGEN bit before disconnecting. See [section 10, Low Power Modes](#) for details.

2.11.2 Unlock ID Code

The unlock ID code is used for checking permissions for debug and access to on-chip resources. If the unlock ID code matches the 128-bit data written in the ID Authentication Registers 0 to 3, the JTAG/SWD debugger obtains access permission. Unlock ID code is written in the OCD/Serial Programmer ID Setting Register (OSIS) in the option-setting memory. The initial value of the unlock ID code is all 1s (FFFFFFFF_FFFFFFFF_FFFFFFFF_FFFFFFFFh). See [section 6, Option-Setting Memory](#) for details.

2.11.3 Restrictions on Connecting an OCD Emulator

This section describes restrictions on emulator access.

2.11.3.1 Starting connection while in low power mode

When starting a JTAG/SWD connection from an OCD emulator, the MCU must be in Normal or Sleep mode. If the MCU is in Software Standby or Snooze mode, the OCD emulator can cause the MCU to hang.

2.11.3.2 Changing low power mode while in OCD mode

When the MCU is in OCD mode, the low power mode can be changed. However, system bus access from AHB-AP is prohibited in Software Standby or Snooze mode. Only SWJ-DP, APB-AP, and OCDREG can be accessed from the OCD emulator in these modes. [Table 2.14](#) shows the restrictions.

Table 2.14 Restrictions by mode

| Active mode | Start OCD emulator connection | Change low power mode | Access AHB-AP and system bus | Access APB-AP and OCDREG |
|------------------|-------------------------------|-----------------------|------------------------------|--------------------------|
| Normal | Yes | Yes | Yes | Yes |
| Sleep | Yes | Yes | Yes | Yes |
| Software Standby | No | Yes | No | Yes |
| Snooze | No | Yes | No | Yes |

If system bus access is required in Software Standby or Snooze mode, set the MCUCTRL.DBIRQ bit in OCDREG to wake up the MCU from the low power modes. Simultaneously, using the MCUCTRL.EDBGRQ bit in OCDREG, the OCD emulator can wake up the MCU without starting CPU execution by using a CPU break.

2.11.3.3 Modify the unlock ID code in OSIS

After modifying the unlock ID code in the OSIS, the OCD emulator must reset the MCU by asserting the RES pin or setting the SYSRESETREQ bit of the Application Interrupt and Reset Control Register in the system control block to 1. The modified unlock ID code is reflected after reset.

2.11.3.4 Connecting sequence and JTAG/SWD authentication

Because the OCD emulator is protected by the JTAG/SWD authentication mechanism, OCD might be required to input the ID code to the authentication registers. The OSIS value in the option-setting memory determines whether the code is required. After negation of the reset, a 44 µs wait time is required before comparing the OSIS value at cold start.

(1) When MSB of OSIS is 0 (bit [127] = 0)

The ID code is always mismatching, and connection to the OCD is prohibited.

(2) When OSIS is all 1s (default)

OCD authentication is not required and the OCD can use the AHB-AP without authentication.

1. Connect the OCD emulator to the MCU through the JTAG or SWD interface.
2. Set up SWJ-DP to access the DAP bus. In the setup, the OCD emulator must assert the CDBGPWRUPREQ bit in the SWJ-DP Control Status Register, then wait until CSDBGPWRUPACK in the same register is asserted.
3. Set up AHB-AP to access the system address space. The AHB-AP is connected to the DAP bus port 0.
4. Start accessing the CPU debug resources using the AHB-AP.

(3) When OSIS[127:126] is 10b

OCD authentication is required and the OCD must write the unlock ID code to the IAUTH registers 0 to 3 in the OCDREG before using the AHB-AP.

1. Connect the OCD debugger to the MCU through the JTAG or SWD interface.
2. Set up SWJ-DP to access the DAP bus. In the setup, the OCD emulator must assert CDBGPWRUPREQ in SWJ-DP Control Status Register, then wait until CSDBGPWRUPACK in the same register is asserted.
3. Set up APB-AP to access OCDREG. The APB-AP is connected to the DAP bus port 1.
4. Write the 128-bit ID code to IAUTH registers 0 to 3 in OCDREG using APB-AP.
5. If the 128-bit ID code matches the OSIS value, the AHB-AP is authorized to issue an AHB transaction. The authorization result can be confirmed in the AUTH bit in MCUSTAT Register or the DbgStatus bit in the AHB-AP Control Status Word Register.
 - When DbgStatus is 1, the 128-bit ID code is a match with the OSIS value. AHB transfers are permitted.
 - When DbgStatus is 0, the 128-bit ID code is not a match with the OSIS value. AHB transfers are not permitted.
6. Set up AHB-AP to access the system address space. The AHB-AP is connected to the DAP bus port 0.
7. Start accessing the CPU debug resources using the AHB-AP.

(4) When OSIS[127:126] is 11b

OCD authentication is required and the OCD must write the unlock ID code to the IAUTH registers 0 to 3 in OCDREG. The connection sequence is the same as when OSIS[127:126] is 10b, except for “ALeRASE” capability.

When IAUTH registers 0 to 3 are written with “ALeRASE” in ASCII code (414C_6552_4153_45FF_FFFF_FFFF_FFFF_FFFFh), contents of the code flash, data flash, and configuration area are erased. See [section 44, Flash Memory](#) for details.

The ALeRASE sequence is as follows:

1. Connect the OCD debugger to the MCU through the JTAG or SWD interface.
2. Set up the SWJ-DP to access the DAP bus. In the setup, the OCD emulator must assert CDBGPWRUPREQ in the SWJ-DP Control Status Register, then wait until CSDBGPWRUPACK in the same register is asserted.
3. Set up the APB-AP to access OCDREG. This APB-AP is connected to the DAP bus port 1.
4. Write the 128-bit ID code to IAUTH registers 0 to 3 in the OCDREG using APB-AP.
5. If the 128-bit ID code is “ALeRASE” in ASCII code, contents of the code flash, data flash, and configuration area are erased. Thereafter, the MCU transitions to Sleep mode.

2.12 References

1. *ARM®v7-M Architecture Reference Manual* (ARM DDI 0403D).
2. *ARM® Cortex®-M4 Processor Technical Reference Manual* (ARM DDI 0439D).
3. *ARM® Cortex®-M4 Devices Generic User Guide* (ARM DUI 0553A).
4. *ARM® CoreSight™ SoC-400 Technical Reference Manual* (ARM DDI 0480F).
5. *ARM® CoreSight™ ETM-M4 Technical Reference Manual* (ARM DDI 0440C).
6. *ARM® CoreSight™ Trace Memory Controller Technical Reference Manual* (ARM DDI 0461B).
7. *ARM® CoreSight™ Architecture Specification* (ARM IHI 0029D).

3. Operating Modes

3.1 Overview

Table 3.1 shows the selection of operating modes by the mode-setting pin. For details, see section 3.2, Operating Mode Details. Operation starts when the on-chip flash memory is enabled, regardless of the mode in which operation started.

Table 3.1 Selection of operating modes by the mode-setting pin

| Mode-setting pin | Operating mode | On-chip flash memory |
|------------------|-------------------|----------------------|
| MD | | |
| 1 | Single-chip mode | Enable |
| 0 | SCI/USB boot mode | Enable |

3.2 Operating Mode Details

3.2.1 Single-Chip Mode

In single-chip mode, all I/O pins are available for use as input or output ports, inputs or outputs for peripheral functions, or as interrupt inputs. When a reset is released while the MD pin is high, the MCU starts in single-chip mode and the on-chip flash is enabled.

3.2.2 SCI Boot Mode

In this mode, the on-chip flash memory programming routine (SCI boot program), stored in a dedicated area within the MCU, is used. The on-chip flash, including the code flash memory and data flash memory, can be modified from outside the MCU by using a serial communication interface (SCI). For details, see section 44, Flash Memory. The MCU starts up in SCI boot mode if the MD pin is held low on release from the reset state.

3.2.3 USB Boot Mode

In this mode, the on-chip flash memory programming routine (USB boot program), stored in the boot area within the MCU, is used. The on-chip flash, including the code flash memory and data flash memory, can be modified from outside the MCU by using the USB. For details, see section 44, Flash Memory. The MCU starts in USB boot mode if the MD pin is held low on release from the reset state.

3.3 Operating Mode Transitions

3.3.1 Operating Mode Transitions as Determined by the Mode-Setting Pin

Figure 3.1 shows operating mode transitions determined by the MD pin settings.

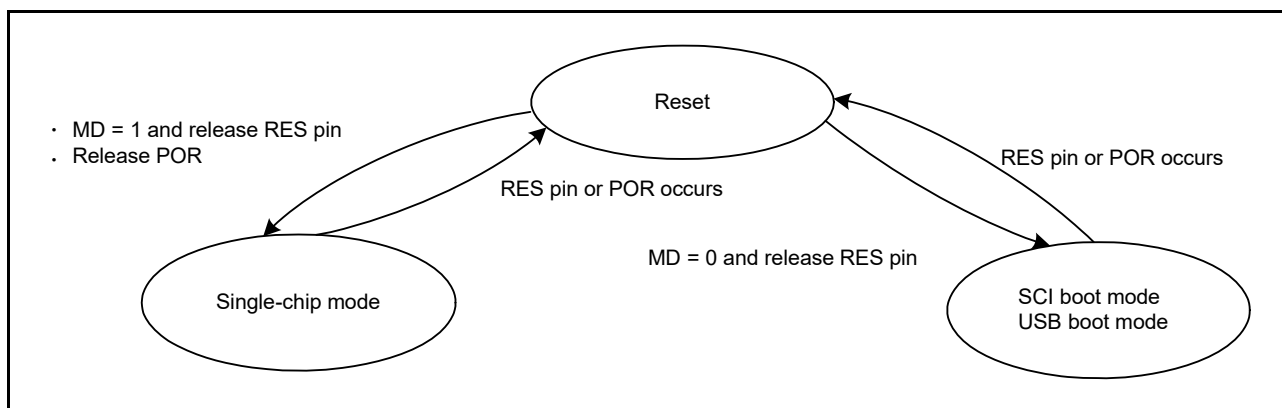


Figure 3.1 Mode-setting pin level and operating mode

4. Address Space

4.1 Overview

The MCU supports a 4-GB linear address space ranging from 0000 0000h to FFFF FFFFh, that can contain both programs and data. [Figure 4.1](#) shows the memory map.

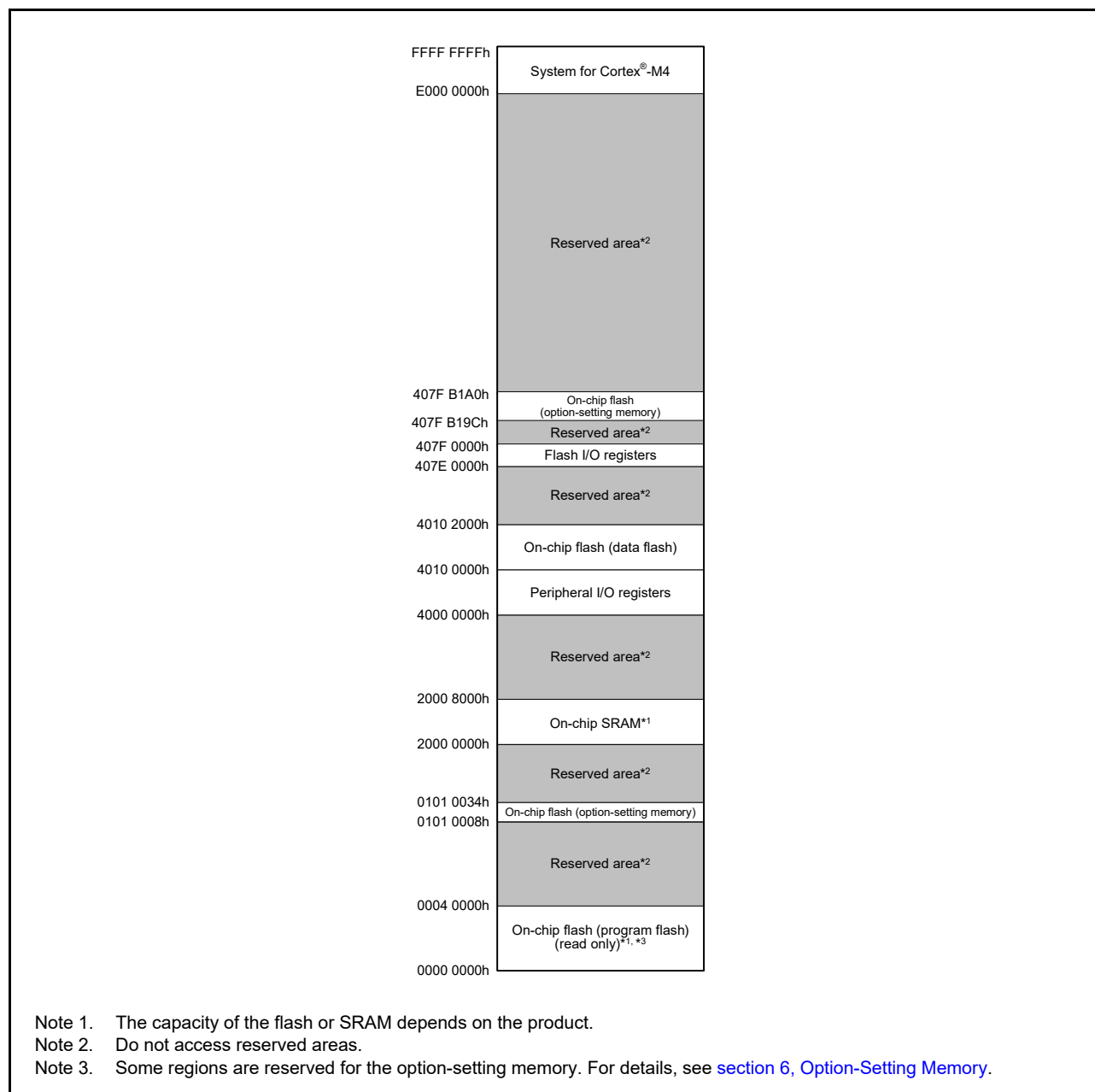


Figure 4.1 Memory map

5. Resets

5.1 Overview

The MCU provides 14 resets:

- RES pin reset
- Power-on reset
- VBATT-selected voltage power-on reset
- Independent watchdog timer reset
- Watchdog timer reset
- Voltage monitor 0 reset
- Voltage monitor 1 reset
- Voltage monitor 2 reset
- SRAM parity error reset
- SRAM ECC error reset
- Bus master MPU error reset
- Bus slave MPU error reset
- CPU stack pointer error reset
- Software reset.

Table 5.1 lists the reset names and sources.

Table 5.1 Reset names and sources

| Reset name | Source |
|---------------------------------------|-----------------------------------------------------------------------|
| RES pin reset | Voltage input to the RES pin is driven low |
| Power-on reset | VCC rise (voltage detection: V_{POR}) ^{*1} |
| VBATT-selected voltage power-on reset | VCC fall (voltage detection: $V_{DETBATT}$) ^{*1} |
| Independent watchdog timer reset | IWDT underflow or refresh error |
| Watchdog timer reset | WDT underflow or refresh error |
| Voltage monitor 0 reset | VCC fall (voltage detection: V_{det0}) ^{*1} |
| Voltage monitor 1 reset | VCC fall (voltage detection: V_{det1}) ^{*1} |
| Voltage monitor 2 reset | VCC fall (voltage detection: V_{det2}) ^{*1} |
| SRAM parity error reset | SRAM parity error detection |
| SRAM ECC error reset | SRAM ECC error detection |
| Bus master MPU error reset | Bus master MPU error detection |
| Bus slave MPU error reset | Bus slave MPU error detection |
| CPU stack pointer error reset | CPU stack pointer error detection |
| Software reset | Register setting (use the Arm® software reset bit, AIRCR.SYSRESETREQ) |

Note 1. For details on the voltages to be monitored (V_{POR} , V_{det0} , V_{det1} , V_{det2} , and $V_{DETBATT}$), see [section 7, Low Voltage Detection \(LVD\)](#), [section 11, Battery Backup Function](#), and [section 48, Electrical Characteristics](#).

The internal state and pins are initialized by a reset. [Table 5.2](#) and [Table 5.3](#) list the targets initialized by resets.

Table 5.2 Reset detect flags initialized by each reset source

| Flags to be initialized | Reset source | | | | | | | |
|--------------------------------------------------------------|---------------|----------------|-------------------------|----------------------------------|----------------------|-------------------------|-------------------------|----------------|
| | RES pin reset | Power-on reset | Voltage monitor 0 reset | Independent watchdog timer reset | Watchdog timer reset | Voltage monitor 1 reset | Voltage monitor 2 reset | Software reset |
| Power-On Reset Detect Flag (RSTSR0.PORF) | ✓ | × | × | × | × | × | × | × |
| Voltage Monitor 0 Reset Detect Flag (RSTSR0.LVD0RF) | ✓ | ✓ | × | × | × | × | × | × |
| Independent Watchdog Timer Reset Detect Flag (RSTSR1.IWDTRF) | ✓ | ✓ | ✓ | × | × | × | × | × |
| Watchdog Timer Reset Detect Flag (RSTSR1.WDTRF) | ✓ | ✓ | ✓ | × | × | × | × | × |
| Voltage Monitor 1 Reset Detect Flag (RSTSR0.LVD1RF) | ✓ | ✓ | ✓ | × | × | × | × | × |
| Voltage Monitor 2 Reset Detect Flag (RSTSR0.LVD2RF) | ✓ | ✓ | ✓ | × | × | × | × | × |
| Software Reset Detect Flag (RSTSR1.SWRF) | ✓ | ✓ | ✓ | × | × | × | × | × |
| SRAM Parity Error Reset Detect Flag (RSTSR1.RPERF) | ✓ | ✓ | ✓ | × | × | × | × | × |
| SRAM ECC Error Reset Detect Flag (RSTSR1.REERF) | ✓ | ✓ | ✓ | × | × | × | × | × |
| Bus Slave MPU Error Reset Detect Flag (RSTSR1.BUSSRF) | ✓ | ✓ | ✓ | × | × | × | × | × |
| Bus Master MPU Error Reset Detect Flag (RSTSR1.BUSMRF) | ✓ | ✓ | ✓ | × | × | × | × | × |
| Stack Pointer Error Reset Detect Flag (RSTSR1.SPERF) | ✓ | ✓ | ✓ | × | × | × | × | × |
| Cold Start/Warm Start Determination Flag (RSTSR2.CWSF) | × | ✓ | × | × | × | × | × | × |

| Flags to be initialized | Reset source | | | | | |
|--------------------------------------------------------------|-------------------------|----------------------|----------------------------|---------------------------|---------------------------|-------------|
| | SRAM parity error reset | SRAM ECC error reset | Bus master MPU error reset | Bus slave MPU error reset | Stack pointer error reset | VBATT_POR*1 |
| Power-On Reset Detect Flag (RSTSR0.PORF) | × | × | × | × | × | × |
| Voltage Monitor 0 Reset Detect Flag (RSTSR0.LVD0RF) | × | × | × | × | × | × |
| Independent Watchdog Timer Reset Detect Flag (RSTSR1.IWDTRF) | × | × | × | × | × | × |
| Watchdog Timer Reset Detect Flag (RSTSR1.WDTRF) | × | × | × | × | × | × |
| Voltage Monitor 1 Reset Detect Flag (RSTSR0.LVD1RF) | × | × | × | × | × | × |
| Voltage Monitor 2 Reset Detect Flag (RSTSR0.LVD2RF) | × | × | × | × | × | × |
| Software Reset Detect Flag (RSTSR1.SWRF) | × | × | × | × | × | × |
| SRAM Parity Error Reset Detect Flag (RSTSR1.RPERF) | × | × | × | × | × | × |
| SRAM ECC Error Reset Detect Flag (RSTSR1.REERF) | × | × | × | × | × | × |
| Bus Slave MPU Error Reset Detect Flag (RSTSR1.BUSSRF) | × | × | × | × | × | × |
| Bus Master MPU Error Reset Detect Flag (RSTSR1.BUSMRF) | × | × | × | × | × | × |
| Stack Pointer Error Reset Detect Flag (RSTSR1.SPERF) | × | × | × | × | × | × |
| Cold Start/Warm Start Determination Flag (RSTSR2.CWSF) | × | × | × | × | × | × |

✓: Initialized to 0

×: Not initialized

Note 1. For VBATT_POR details, see [section 11, Battery Backup Function](#).

Table 5.3 Module-related registers initialized by each reset source

| Registers to be initialized | | Reset source | | | | | | | |
|---------------------------------------------------------|-----------------------------------------------------------------------------------------------------------------------------------|---------------|----------------|-------------------------|----------------------------------|----------------------|-------------------------|-------------------------|----------------|
| | | RES pin reset | Power-on reset | Voltage monitor 0 reset | Independent watchdog timer reset | Watchdog timer reset | Voltage monitor 1 reset | Voltage monitor 2 reset | Software reset |
| Registers related to the watchdog timer | WDTRR, WDTTCR, WDTSTR, WDTRCR, WDTCSSTPR | ✓ | ✓ | ✓ | ✓ | ✓ | ✓ | ✓ | ✓ |
| Registers related to the voltage monitor function 1 | LVD1CR0, LVCMPPCR.LVD1E, LVDLVL.R.LVD1LVL | ✓ | ✓ | ✓ | ✓ | ✓ | x | x | x |
| | LVD1CR1/LVD1SR | ✓ | ✓ | ✓ | ✓ | ✓ | x | x | x |
| Registers related to the voltage monitor function 2 | LVD2CR0, LVCMPPCR.LVD2E, LVDLVL.R.LVD2LVL | ✓ | ✓ | ✓ | ✓ | ✓ | x | x | x |
| | LVD2CR1/LVD2SR | ✓ | ✓ | ✓ | ✓ | ✓ | x | x | x |
| Register related to the SOSC | SOSCCR | x | x | x | x | x | x | x | x |
| | SOMCR | x | x | x | x | x | x | x | x |
| Register related to the LOCO | LOCOCR | x | x | x | x | x | x | x | x |
| | LOCOUTCR | x | x | x | x | x | x | x | x |
| Register related to the MOSC | MOMCR | ✓ | ✓ | ✓ | ✓ | ✓ | ✓ | ✓ | ✓ |
| Register related to the Realtime Clock*2 | | x | x | x | x | x | x | x | ✓ |
| Register related to the AGT | | x | ✓ | ✓ | x | x | ✓ | ✓ | x |
| Register related to the MPU | | ✓ | ✓ | ✓ | ✓ | ✓ | ✓ | ✓ | ✓ |
| Pin state (except XCIN/XCOUT pin) | | ✓ | ✓ | ✓ | ✓ | ✓ | ✓ | ✓ | ✓ |
| Pin state (XCIN/XCOUT pin) | | x | x | x | x | x | x | x | x |
| Battery backup | VBTCR1 | x | ✓ | x | x | x | x | x | x |
| | VBTCR2, VBTSR, VBTCMPPCR, VBTLVDICR, VBTWCTLR, VBTWCH0OTSR, VBTWCH1OTSR, VBTWCH2OTSR, VBTICTLR, VBTOCTLR, VBTWTER, VBTWGR, VBTWFR | x | x | x | x | x | x | x | x |
| | VBTBKRn (n = 0 to 511) | x | x | x | x | x | x | x | x |
| Registers other than the above, CPU, and internal state | | ✓ | ✓ | ✓ | ✓ | ✓ | ✓ | ✓ | ✓ |

| Registers to be initialized | | Reset source | | | | | | |
|-----------------------------------------------------|-------------------------------------------|-------------------------|----------------------|----------------------------|---------------------------|---------------------------|-------------|--|
| | | SRAM parity error reset | SRAM ECC error reset | Bus master MPU error reset | Bus slave MPU error reset | Stack pointer error reset | VBATT_POR*3 | |
| Registers related to the watchdog timer | WDTRR, WDTTCR, WDTSTR, WDTRCR, WDTCSSTPR | ✓ | ✓ | ✓ | ✓ | ✓ | x | |
| Registers related to the voltage monitor function 1 | LVD1CR0, LVCMPPCR.LVD1E, LVDLVL.R.LVD1LVL | x | x | x | x | x | x | |
| | LVD1CR1/LVD1SR | x | x | x | x | x | x | |
| Registers related to the voltage monitor function 2 | LVD2CR0, LVCMPPCR.LVD2E, LVDLVL.R.LVD2LVL | x | x | x | x | x | x | |
| | LVD2CR1/LVD2SR | x | x | x | x | x | x | |
| Register related to the SOSC | SOSCCR | x | x | x | x | x | ✓*1 | |
| | SOMCR | x | x | x | x | x | ✓ | |
| Register related to the LOCO | LOCOCR | x | x | x | x | x | ✓ | |
| | LOCOUTCR | x | x | x | x | x | ✓ | |
| Register related to the MOSC | MOMCR | ✓ | ✓ | ✓ | ✓ | ✓ | x | |
| Register related to the Realtime Clock*2 | | x | x | x | x | x | x | |
| Register related to the AGT | | x | x | x | x | x | x | |
| Register related to the MPU | | ✓ | ✓ | x | x | x | x | |
| Pin state (except XCIN/XCOUT pin) | | ✓ | ✓ | ✓ | ✓ | ✓ | x | |
| Pin state (XCIN/XCOUT pin) | | x | x | x | x | x | ✓ | |

| Registers to be initialized | | Reset source | | | | | |
|---------------------------------------------------------|---------------------------------------------------------------------------------------------------------------------------------|-------------------------|----------------------|----------------------------|---------------------------|---------------------------|-------------|
| | | SRAM parity error reset | SRAM ECC error reset | Bus master MPU error reset | Bus slave MPU error reset | Stack pointer error reset | VBATT_POR*3 |
| Battery backup | VBTCR1 | x | x | x | x | x | x |
| | VBTCR2, VBTSR, VBTCMPCR, VBTLVDIR, VBTWCTLR, VBTWCH0OTSR, VBTWCH1OTSR, VBTWCH2OTSR, VBTICTLR, VBTCTLR, VBTWTER, VBTWEGR, VBTWFR | x | x | x | x | x | ✓ |
| | VBTBKRn (n = 0 to 511) | x | x | x | x | x | x |
| Registers other than the above, CPU, and internal state | | ✓ | ✓ | ✓ | ✓ | ✓ | x |

✓: Initialized

x: Not initialized

Note 1. For the initial value of each register, see [section 8, Clock Generation Circuit](#).

Note 2. The RTC has a software reset. RCR1.RTCOS, CIE and RCR2.RTCOE, ADJ30, RESET bits are initialized by all types of resets. For details on the target bits, see [section 24, Realtime Clock \(RTC\)](#).

Note 3. For VBATT_POR details, see [section 11, Battery Backup Function](#).

RTC is not initialized by any reset source. SOSC and LOCO can be selected as the clock sources of RTC and AGT. [Table 5.4](#) and [Table 5.5](#) show the states of SOSC and LOCO when a reset occurs.

Table 5.4 States of SOSC when a reset occurs

| State | | Reset source | |
|-------|-------------------|-------------------------------------------|---------------------------------------------------------------------|
| | | VBATT_POR | Other |
| SOSC | Enable or disable | Initialized to disable | Continue with the state that was selected before the reset occurred |
| | Drive capability | Initialized to Normal mode | Continue with the state that was selected before the reset occurred |
| | XCIN/XCOUT | Initialized to general-purpose input pins | Continue with the state that was selected before the reset occurred |

Table 5.5 States of LOCO when a reset occurs

| | | Reset source | |
|------|----------------------|-------------------------------------------------------------------------|---------------------------------------------------------------------|
| | | VBATT_POR | Other |
| LOCO | Enable or disable | Initialized to enable | Continue with the state that was selected before the reset occurred |
| | Oscillation accuracy | Initialized to accuracy before trimming by LOCOUTCR (accuracy: +/- 15%) | Continue with the accuracy that was trimmed by LOCOUTCR |

When a reset is canceled, reset exception handling starts.

[Table 5.6](#) lists the pin related to the reset function.

Table 5.6 Reset I/O pin

| Pin name | I/O | Function |
|----------|-------|-----------|
| RES | Input | Reset pin |

5.2 Register Descriptions

5.2.1 Reset Status Register 0 (RSTSR0)

Address(es): SYSTEM.RSTSR0 4001 E410h

| | | | | | | | |
|--------------------|----|----|----|------------|------------|------------|------|
| b7 | b6 | b5 | b4 | b3 | b2 | b1 | b0 |
| — | — | — | — | LVD2R F | LVD1R F | LVD0R F | PORF |
| Value after reset: | | | | 0 | 0 | 0 | 0 |
| | | | | x*1 | x*1 | x*1 | x*1 |

| Bit | Symbol | Bit name | Description | R/W |
|----------|--------|-------------------------------------|---------------------------------------------------------------------------------|---------|
| b0 | PORF | Power-On Reset Detect Flag | 0: Power-on reset not detected 1: Power-on reset detected. | R(/W)*2 |
| b1 | LVD0RF | Voltage Monitor 0 Reset Detect Flag | 0: Voltage monitor 0 reset not detected 1: Voltage monitor 0 reset detected. | R(/W)*2 |
| b2 | LVD1RF | Voltage Monitor 1 Reset Detect Flag | 0: Voltage monitor 1 reset not detected 1: Voltage monitor 1 reset detected. | R(/W)*2 |
| b3 | LVD2RF | Voltage Monitor 2 Reset Detect Flag | 0: Voltage monitor 2 reset not detected 1: Voltage monitor 2 reset detected. | R(/W)*2 |
| b7 to b4 | — | Reserved | These bits are read as 0. The write value should be 0. | R/W |

Note 1. The value after reset depends on the LVD reset source.

Note 2. Only 0 can be written to clear the flag. The flag must be cleared by writing 0 after 1 is read.

PORF flag (Power-On Reset Detect Flag)

The PORF flag indicates that a power-on reset occurred.

[Setting condition]

- When a power-on reset occurs.

[Clearing conditions]

- When a reset listed in [Table 5.2](#) occurs
- When 1 is read from and then 0 is written to PORF.

LVD0RF flag (Voltage Monitor 0 Reset Detect Flag)

The LVD0RF flag indicates that the VCC voltage fell below V_{det0} .

[Setting condition]

- When a voltage monitor 0 reset occurs.

[Clearing conditions]

- When a reset listed in [Table 5.2](#) occurs
- When 1 is read from and then 0 is written to LVD0RF.

LVD1RF flag (Voltage Monitor 1 Reset Detect Flag)

The LVD1RF flag indicates that the VCC voltage fell below V_{det1} .

[Setting condition]

- When a voltage monitor 1 reset occurs.

[Clearing conditions]

- When a reset listed in [Table 5.2](#) occurs
- When 1 is read from and then 0 is written to LVD1RF.

LVD2RF flag (Voltage Monitor 2 Reset Detect Flag)

The LVD2RF flag indicates that the VCC voltage fell below V_{det2} .

[Setting condition]

- When a voltage monitor 2 reset occurs.

[Clearing conditions]

- When a reset listed in [Table 5.2](#) occurs
- When 1 is read from and then 0 is written to LVD2RF.

5.2.2 Reset Status Register 1 (RSTSR1)

Address(es): [SYSTEM.RSTSR1 4001 E0C0h](#)

| | b15 | b14 | b13 | b12 | b11 | b10 | b9 | b8 | b7 | b6 | b5 | b4 | b3 | b2 | b1 | b0 |
|--------------------|-----|-----|-----|-------|--------|--------|-------|-------|----|----|----|----|----|------|-------|--------|
| | — | — | — | SPERF | BUSMRF | BUSSRF | REERF | RPERF | — | — | — | — | — | SWRF | WDTRF | IWDTRF |
| Value after reset: | 0 | 0 | 0 | x*1 | x*1 | x*1 | x*1 | x*1 | 0 | 0 | 0 | 0 | 0 | x*1 | x*1 | x*1 |

x: Undefined

| Bit | Symbol | Bit name | Description | R/W |
|------------|------------------------|----------------------------------------------|---------------------------------------------------------------------------------------------------|--------|
| b0 | IWDTRF | Independent Watchdog Timer Reset Detect Flag | 0: Independent watchdog timer reset not detected 1: Independent watchdog timer reset detected. | R(W)*2 |
| b1 | WDTRF | Watchdog Timer Reset Detect Flag | 0: Watchdog timer reset not detected 1: Watchdog timer reset detected. | R(W)*2 |
| b2 | SWRF | Software Reset Detect Flag | 0: Software reset not detected 1: Software reset detected. | R(W)*2 |
| b7 to b3 | — | Reserved | These bits are read as 0. The write value should be 0. | R/W |
| b8 | RPERF | SRAM Parity Error Reset Detect Flag | 0: SRAM parity error reset not detected 1: SRAM parity error reset detected. | R(W)*2 |
| b9 | REERF | SRAM ECC Error Reset Detect Flag | 0: SRAM ECC error reset not detected 1: SRAM ECC error reset detected. | R(W)*2 |
| b10 | BUSSRF | Bus Slave MPU Error Reset Detect Flag | 0: Bus slave MPU error reset not detected 1: Bus slave MPU error reset detected. | R(W)*2 |
| b11 | BUSMRF | Bus Master MPU Error Reset Detect Flag | 0: Bus master MPU error reset not detected 1: Bus master MPU error reset detected. | R(W)*2 |
| b12 | SPERF | SP Error Reset Detect Flag | 0: SP error reset not detected 1: SP error reset detected. | R(W)*2 |
| b15 to b13 | — | Reserved | These bits are read as 0. The write value should be 0. | R/W |

Note 1. The value after reset depends on the reset source.

Note 2. Only 0 can be written to clear the flag. The reset flag must be written as 0 after the reset flag is read as 1.

IWDTRF flag (Independent Watchdog Timer Reset Detect Flag)

The IWDTRF flag indicates that an independent watchdog timer reset occurred.

[Setting condition]

- When an independent watchdog timer reset occurs.

[Clearing conditions]

- When a reset listed in [Table 5.2](#) occurs
- When 1 is read from and then 0 is written to IWDTRF.

WDTRF flag (Watchdog Timer Reset Detect Flag)

The WDTRF flag indicates that a watchdog timer reset occurred.

[Setting condition]

- When a watchdog timer reset occurs.

[Clearing conditions]

- When a reset listed in [Table 5.2](#) occurs
- When 1 is read from and then 0 is written to WDTRF.

SWRF flag (Software Reset Detect Flag)

The SWRF flag indicates that a software reset occurred.

[Setting condition]

- When a software reset occurs.

[Clearing conditions]

- When a reset listed in [Table 5.2](#) occurs
- When 1 is read from and then 0 is written to SWRF.

RPERF flag (SRAM Parity Error Reset Detect Flag)

The RPERF flag indicates that a SRAM parity error reset occurred.

[Setting condition]

- When a SRAM parity error reset occurs.

[Clearing conditions]

- When a reset listed in [Table 5.2](#) occurs
- When 1 is read from and then 0 is written to RPERF.

REERF flag (SRAM ECC Error Reset Detect Flag)

The REERF flag indicates that a SRAM ECC error reset occurred.

[Setting condition]

- When a SRAM ECC error reset occurs.

[Clearing conditions]

- When a reset listed in [Table 5.2](#) occurs
- When 1 is read from and then 0 is written to REERF.

BUSSRF flag (Bus Slave MPU Error Reset Detect Flag)

The BUSSRF flag indicates that a bus slave MPU error reset occurred.

[Setting condition]

- When a bus slave MPU error reset occurs.

[Clearing conditions]

- When a reset listed in [Table 5.2](#) occurs
- When 1 is read from and then 0 is written to BUSSRF.

BUSMRF flag (Bus Master MPU Error Reset Detect Flag)

The BUSMRF flag indicates that a bus master MPU error reset occurred.

[Setting condition]

- When a bus master MPU error reset occurred.

[Clearing conditions]

- When a reset listed in [Table 5.2](#) occurs
- When 1 is read from and then 0 is written to BUSMRF.

SPERF flag (SP Error Reset Detect Flag)

The SPERF flag indicates that a stack pointer error reset occurred.

[Setting condition]

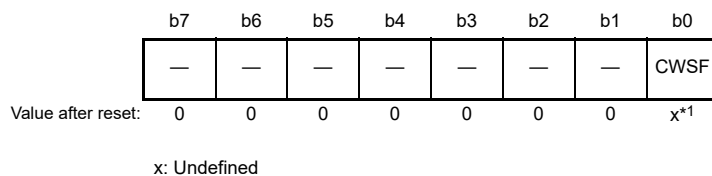
- When a stack pointer error reset occurs.

[Clearing conditions]

- When a reset listed in [Table 5.2](#) occurs
- When 1 is read from and then 0 is written to SPERF.

5.2.3 Reset Status Register 2 (RSTSR2)

Address(es): [SYSTEM.RSTSR2 4001 E411h](#)



| Bit | Symbol | Bit name | Description | R/W |
|----------|--------|------------------------------------|--------------------------------------------------------|-------------|
| b0 | CWSF | Cold/Warm Start Determination Flag | 0: Cold start 1: Warm start. | R/(W) *2 |
| b7 to b1 | — | Reserved | These bits are read as 0. The write value should be 0. | R/W |

Note 1. The value after reset depends on the reset source.

Note 2. Only 1 can be written to set the flag.

RSTSR2 determines whether a power-on reset caused the reset processing (cold start) or a reset signal input during operation caused the reset processing (warm start).

CWSF flag (Cold/Warm Start Determination Flag)

The CWSF flag indicates the type of reset processing, either cold start or warm start. The CWSF flag is initialized by a power-on reset. It is not initialized by a reset signal generated by the RES pin.

[Setting condition]

- When 1 is written by software. Writing 0 to CWSF does not set it to 0.

[Clearing condition]

- When a reset listed in [Table 5.2](#) occurs.

5.3 Operation

5.3.1 RES Pin Reset

The RES pin generates this reset. When the RES pin is driven low, all the processing in progress is aborted and the MCU enters a reset state. To successfully reset the MCU, the RES pin must be held low for the power supply stabilization time specified at power-on.

When the RES pin is driven high from low, the internal reset is canceled after the post-RES cancellation wait time (t_{RESWT}) elapses. The CPU then starts the reset exception handling.

For details, see [section 48, Electrical Characteristics](#).

5.3.2 Power-On Reset

The power-on reset (POR) is an internal reset generated by the power-on reset circuit. If the RES pin is in a high level state when power is supplied, a power-on reset is generated. After VCC exceeds V_{POR} and the specified power-on reset time elapses, the internal reset is canceled and the CPU starts the reset exception handling. The power-on reset time is a stabilization period of the external power supply and the MCU circuit. After a power-on reset is generated, the PORF flag in the RSTSR0 is set to 1. The PORF flag is initialized by the RES pin reset.

The voltage monitor 0 reset is an internal reset generated by the voltage monitor circuit. If the Voltage Detection 0 Circuit Start (LVDAS) bit in Option Function Select Register 1 (OFS1) is 0 (voltage monitor 0 reset is enabled after a reset) and VCC falls below V_{det0} , the RSTSR0.LVD0RF flag is set to 1 and the voltage detection circuit generates voltage monitor 0 reset. Clear the OFS1.LVDAS bit to 0 if the voltage monitor 0 reset is to be used.

After VCC exceeds V_{det0} and the voltage monitor 0 reset time (t_{LVD0}) elapses, the internal reset is canceled and the CPU starts the reset exception handling. The V_{det0} voltage detection level can be changed by the setting of the VDSEL1[2:0] bits in Option Function Select Register 1 (OFS1).

Figure 5.1 shows example of operations during a power-on reset and voltage monitor 0 reset.

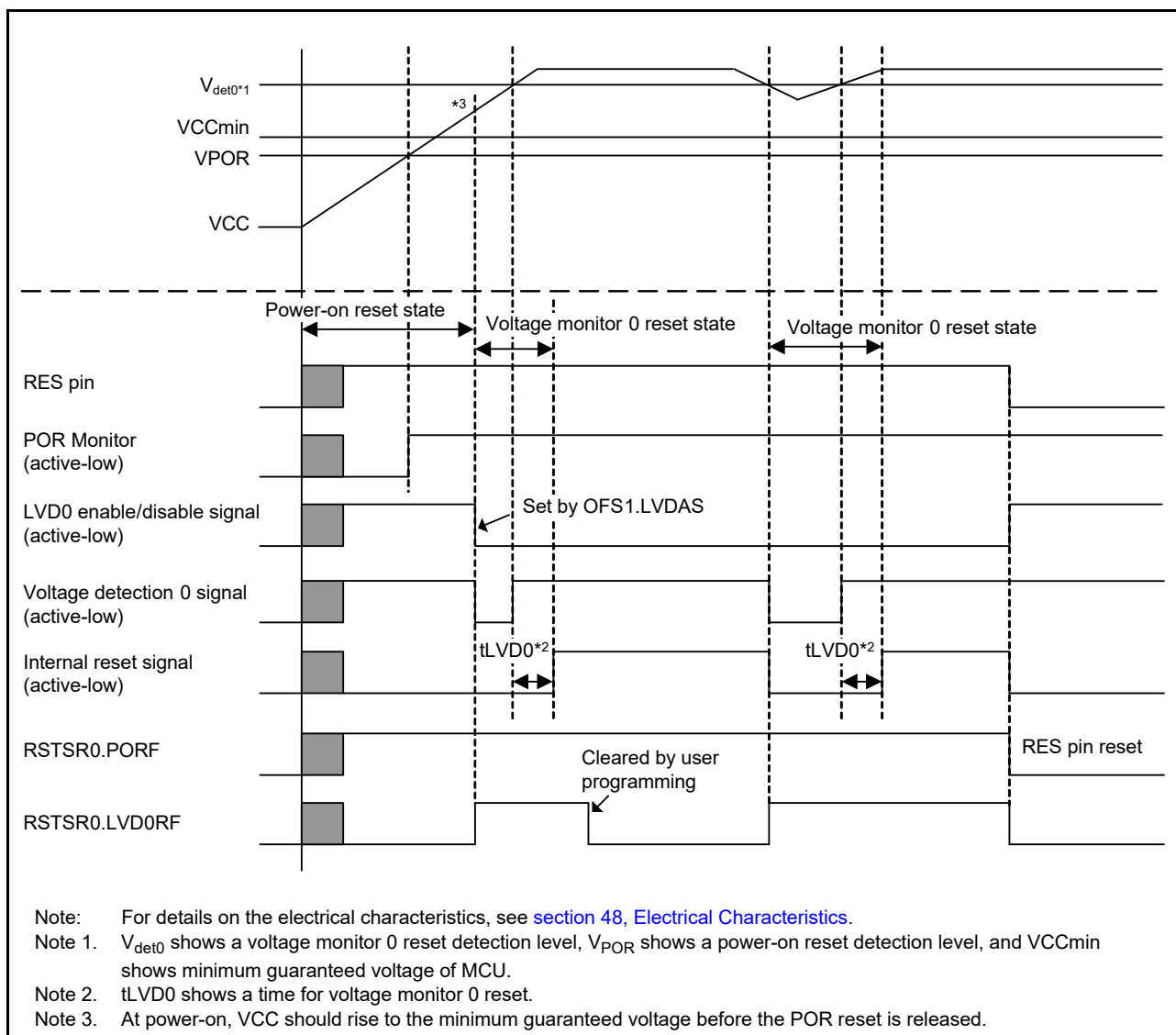


Figure 5.1 Example of operations during power-on and voltage monitor 0 resets

5.3.3 Voltage Monitor Reset

The voltage monitor 0 reset is an internal reset generated by the voltage monitor circuit. If the Voltage Detection 0

Circuit Start (LVDAS) bit in Option Function Select register 1 (OFS1) is 0 (voltage monitor 0 reset is enabled after a reset) and VCC falls below V_{det0} , the RSTSR0.LVD0RF flag is set to 1 and the voltage detection circuit generates a voltage monitor 0 reset. Clear the OFS1.LVDAS bit to 0 if the voltage monitor 0 reset is to be used. After VCC exceeds V_{det0} and the voltage monitor 0 reset time (t_{LVD0}) elapses, the internal reset is canceled and the CPU starts the reset exception handling.

When the Voltage Monitor 1 Interrupt/Reset Enable bit (RIE) is set to 1 (enabling generation of a reset or interrupt by the voltage detection circuit) and the Voltage Monitor 1 Circuit Mode Select bit (LVD1CR0.RI) is set to 1 (selecting generation of a reset in response to detection of a low voltage) in the Voltage Monitor 1 Circuit Control Register 0 (LVD1CR0), the RSTSR0.LVD1RF flag is set to 1 and the voltage detection circuit generates a voltage monitor 1 reset if VCC falls to or below V_{det1} .

Likewise, when the Voltage Monitor 2 Interrupt/Reset Enable bit (RIE) is set to 1 (enabling generation of a reset or interrupt by the voltage detection circuit) and the Voltage Monitor 2 Circuit Mode Select bit (LVD2CR0.RI) is set to 1 (selecting generation of a reset in response to detection of a low voltage) in the Voltage Monitor 2 Circuit Control Register 0 (LVD2CR0), the RSTSR0.LVD2RF flag is set to 1 and the voltage detection circuit generates a voltage monitor 2 reset if VCC falls to or below V_{det2} .

Similarly, timing for release from the voltage monitor 1 reset state is selectable with the Voltage Monitor 1 Reset Negate Select bit (RN) in the LVD1CR0. When the LVD1CR0.RN bit is 0 and VCC has fallen to or below V_{det1} , the CPU is released from the internal reset state and starts reset exception handling once the LVD1 reset time (t_{LVD1}) has elapsed after VCC has risen above V_{det1} . When the LVD1CR0.RN bit is 1 and VCC has fallen to or below V_{det1} , the CPU is released from the internal reset state and starts reset exception handling once the LVD1 reset time (t_{LVD1}) has elapsed.

Likewise, timing for release from the voltage monitor 2 reset state is selectable by setting the Voltage Monitor 2 Reset Negate Select bit (RN) in the LVD2CR0 register.

Detection levels V_{det1} and V_{det2} can be changed in the Voltage Detection Level Select Register (LVDLVLR).

Figure 5.2 shows example of operations during voltage monitor 1 and 2 resets.

For details on the voltage monitor 1 reset and voltage monitor 2 reset, see section 7, Low Voltage Detection (LVD).

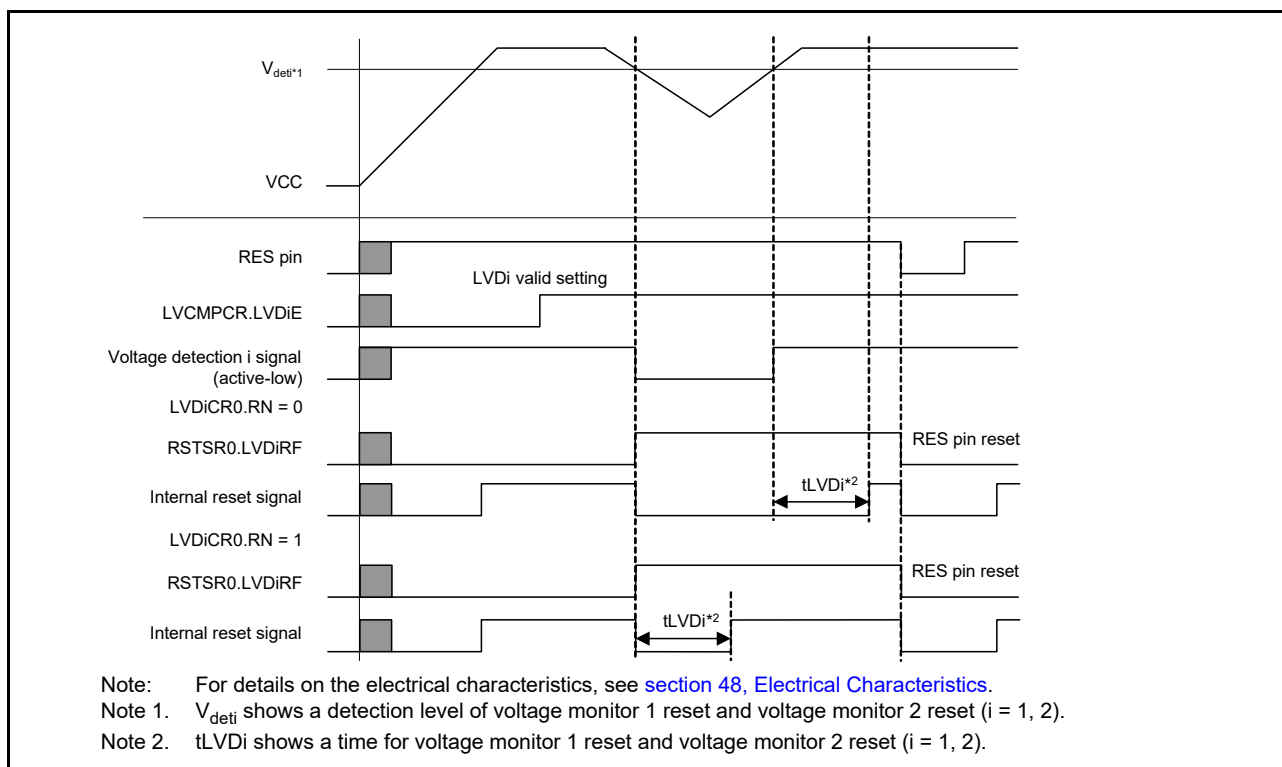


Figure 5.2 Example of operations during voltage monitor 1 and voltage monitor 2 resets

5.3.4 Independent Watchdog Timer Reset

The independent watchdog timer reset is an internal reset generated from the Independent Watchdog Timer (IWDT). Output of the reset from the IWDT can be selected in the Option Function Select Register 0 (OFS0).

When output of the independent watchdog timer reset is selected, the reset is generated if the IWDT underflows, or if data is written when refresh operation is disabled. When the internal reset time (t_{RESW2}) elapses after the independent watchdog timer reset is generated, the internal reset is canceled and the CPU starts the reset exception handling.

For details on the independent watchdog timer reset, see [section 26, Independent Watchdog Timer \(IWDT\)](#).

5.3.5 Watchdog Timer Reset

The watchdog timer reset is an internal reset generated from the Watchdog Timer (WDT). Output of the reset from the WDT can be selected in the WDT Reset Control Register (WDTRCR) or Option Function Select register 0 (OFS0).

When output of the watchdog timer reset is selected, a watchdog timer reset is generated if the WDT underflows, or if data is written when refresh operation is disabled. When the internal reset time (t_{RESW2}) elapses after the watchdog timer reset is generated, the internal reset is canceled and the CPU starts the reset exception handling.

For details on the watchdog timer reset, see [section 25, Watchdog Timer \(WDT\)](#).

5.3.6 Software Reset

The software reset is an internal reset generated by a software setting of the SYSRESETREQ bit in the AIRCR register in the Arm core. When the SYSRESETREQ bit is set to 1, a software reset is generated. When the internal reset time (t_{RESW2}) elapses after the software reset is generated, the internal reset is canceled and the CPU starts the reset exception handling.

For details on the SYSRESETREQ bit, see the *ARM® Cortex®-M4 Technical Reference Manual*.

5.3.7 Determination of Cold/Warm Start

Read the CWSF flag in RSTSR2 to determine the cause of reset processing. This flag indicates whether a power-on reset caused the reset processing (cold start) or a reset signal input during operation caused the reset processing (warm start).

The CWSF flag in RSTSR2 is set to 0 when a power-on reset occurs (cold start). Otherwise, the flag is not set to 0. The flag is set to 1 when 1 is written to it through software. It is not set to 0 even on writing 0 to it.

[Figure 5.3](#) shows an example of a cold/warm start determination operation.

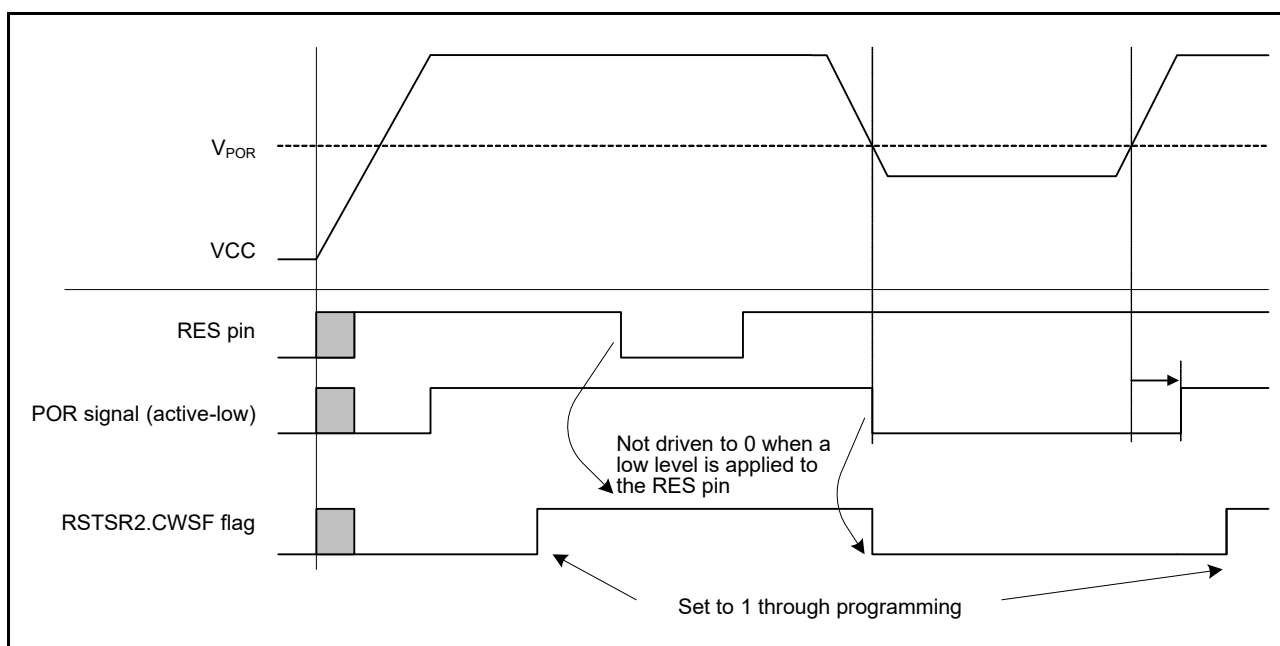


Figure 5.3 Example of a cold/warm start determination operation

5.3.8 Determination of Reset Generation Source

Read RSTSR0 and RSTSR1 to determine which reset executes the reset exception handling. Figure 5.4 shows an example flow to identify a reset generation source. The reset flag must be written with 0 after the reset flag is read as 1.

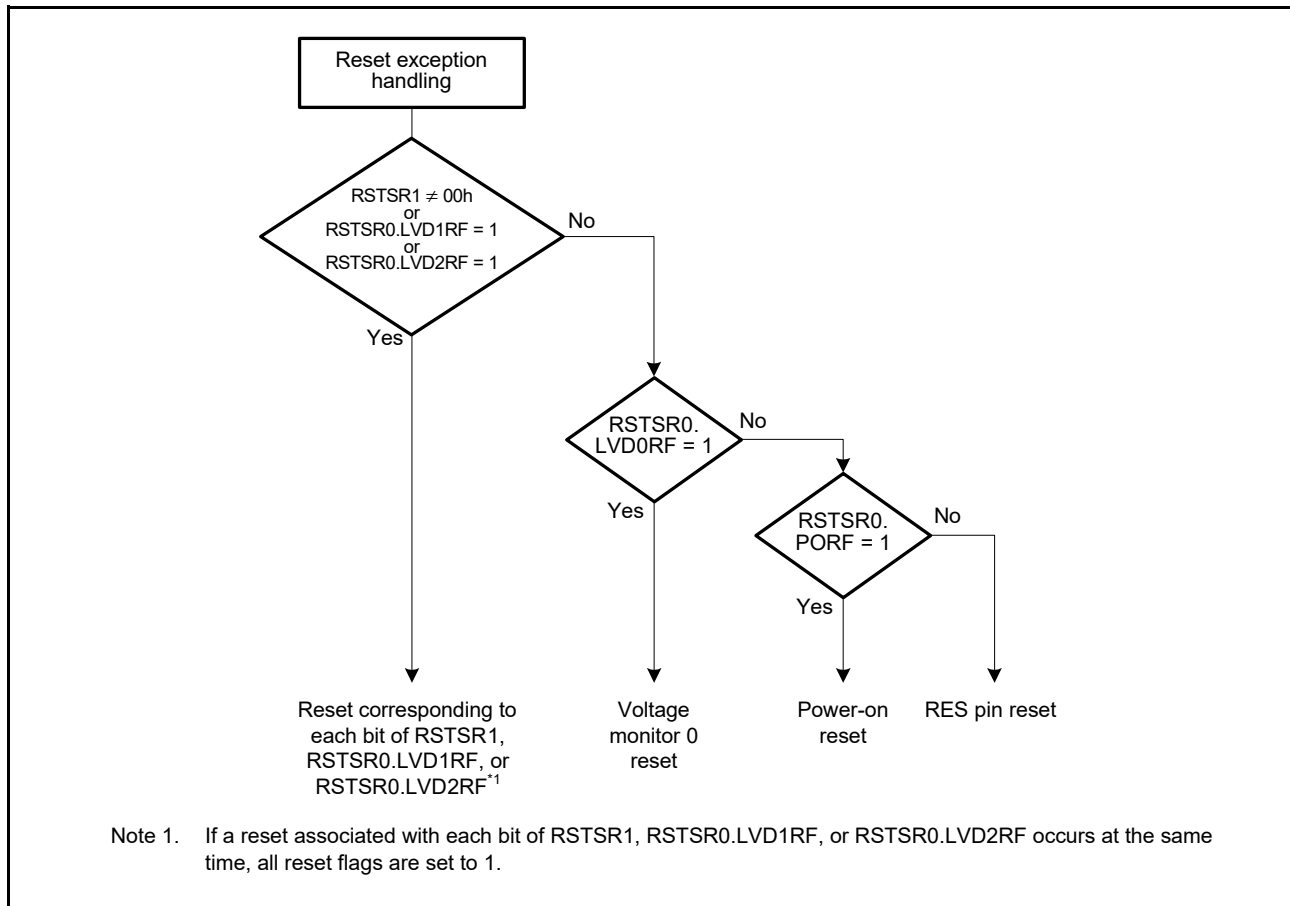


Figure 5.4 Example of reset generation source determination flow

6. Option-Setting Memory

6.1 Overview

The option-setting memory determines the state of the MCU after a reset. The option-setting memory is allocated to the configuration setting area and the program flash area of the flash memory. The available methods of setting are different for the two areas. Figure 6.1 shows the option-setting memory area.

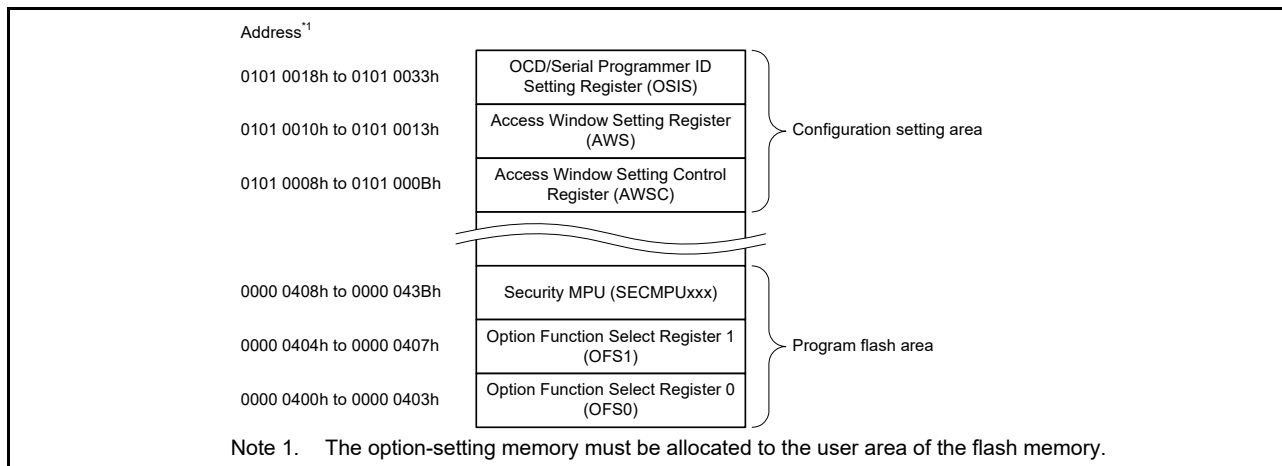


Figure 6.1 Option-setting memory area

6.2 Register Descriptions

6.2.1 Option Function Select Register 0 (OFS0)

Address(es): OFS0 0000 0400h

| | | | | | | | | | | | | | | | |
|-----|------------|-----|-------------|--------------|--------------|-------------|-----|-----|--------------|----------|-----|-----|-----|-----|-----|
| b31 | b30 | b29 | b28 | b27 | b26 | b25 | b24 | b23 | b22 | b21 | b20 | b19 | b18 | b17 | b16 |
| — | WDTST PCTL | — | WDTRS TIRQS | WDTRPSS[1:0] | WDTRPES[1:0] | WDTCKS[3:0] | | | WDTTOPS[1:0] | WDTST RT | — | | | | |

Value after reset: The value set by the user*1

| | | | | | | | | | | | | | | | |
|-----|-------------|-----|--------------|---------------|---------------|--------------|----|----|---------------|-----------|----|----|----|----|----|
| b15 | b14 | b13 | b12 | b11 | b10 | b9 | b8 | b7 | b6 | b5 | b4 | b3 | b2 | b1 | b0 |
| — | IWDTS TPCTL | — | IWDTR STIRQS | IWDTRPSS[1:0] | IWDTRPES[1:0] | IWDTCKS[3:0] | | | IWDTTOPS[1:0] | IWDTS TRT | — | | | | |

Value after reset: The value set by the user*1

| Bit | Symbol | Bit name | Description | R/W |
|----------|---------------|------------------------------------------------------|-----------------------------------------------------------------------------------------------------------------------------------------------------------|-----|
| b0 | — | Reserved | When read, this bit returns the written value. The write value should be 1. | R |
| b1 | IWDSTRT | IWDT Start Mode Select | 0: Automatically activate IWDT after a reset (auto-start mode) 1: Disable IWDT. | R |
| b3, b2 | IWDTTOPS[1:0] | IWDT Timeout Period Select | b3 b2 0 0: 128 cycles (007Fh) 0 1: 512 cycles (01FFh) 1 0: 1024 cycles (03FFh) 1 1: 2048 cycles (07FFh). | R |
| b7 to b4 | IWDTCKS[3:0] | IWDT-Dedicated Clock Frequency Division Ratio Select | b7 b4 0 0 0 0: × 1 0 0 1 0: × 1/16 0 0 1 1: × 1/32 0 1 0 0: × 1/64 1 1 1 1: × 1/128 0 1 0 1: × 1/256. Other settings are prohibited. | R |

| Bit | Symbol | Bit name | Description | R/W |
|------------|---------------|-------------------------------------------|-------------------------------------------------------------------------------------------------------------------------------------------------------------------------------------------------------------------------------------------------|-----|
| b9, b8 | IWDTRPES[1:0] | IWDT Window End Position Select | b9 b8 0 0: 75% 0 1: 50% 1 0: 25% 1 1: 0% (no window end position setting). | R |
| b11, b10 | IWDTRPSS[1:0] | IWDT Window Start Position Select | b11 b10 0 0: 25% 0 1: 50% 1 0: 75% 1 1: 100% (no window start position setting). | R |
| b12 | IWDTRSTIRQS | IWDT Reset Interrupt Request Select | 0: Enable non-maskable interrupt request or interrupt request 1: Enable reset. | R |
| b13 | — | Reserved | When read, this bit returns the written value. The write value should be 1. | R |
| b14 | IWDTSTPCTL | IWDT Stop Control | 0: Continue counting 1: Stop counting when in Sleep mode, Snooze mode, or Software Standby mode. | R |
| b16, b15 | — | Reserved | When read, these bits return the written value. The write value should be 1. | R |
| b17 | WDTSTRT | WDT Start Mode Select | 0: Automatically activate WDT after a reset (auto-start mode) 1: Stop WDT after a reset (register-start mode). | R |
| b19, b18 | WDTTOPS[1:0] | WDT Timeout Period Select | b19 b18 0 0: 1024 cycles (03FFh) 0 1: 4096 cycles (0FFFh) 1 0: 8192 cycles (1FFFh) 1 1: 16384 cycles (3FFFh). | R |
| b23 to b20 | WDTCKS[3:0] | WDT Clock Frequency Division Ratio Select | b23 b20 0 0 0 1: PCLKB divided by 4 0 1 0 0: PCLKB divided by 64 1 1 1 1: PCLKB divided by 128 0 1 1 0: PCLKB divided by 512 0 1 1 1: PCLKB divided by 2048 1 0 0 0: PCLKB divided by 8192. Other settings are prohibited. | R |
| b25, b24 | WDRPES[1:0] | WDT Window End Position Select | b25 b24 0 0: 75% 0 1: 50% 1 0: 25% 1 1: 0% (No window end position setting). | R |
| b27, b26 | WDRPSS[1:0] | WDT Window Start Position Select | b27 b26 0 0: 25% 0 1: 50% 1 0: 75% 1 1: 100% (No window start position setting). | R |
| b28 | WDRSTIRQS | WDT Reset Interrupt Request Select | WDT Behavior Select: 0: NMI 1: Reset. | R |
| b29 | — | Reserved | When read, this bit returns the written value. The write value should be 1. | R |
| b30 | WDTSTPCTL | WDT Stop Control | 0: Continue counting 1: Stop counting when entering Sleep mode. | R |
| b31 | — | Reserved | When read, this bit returns the written value. The write value should be 1. | R |

Note 1. The value in the blank product is FFFF FFFFh. It is set to the value written by your application.

IWDTSTRT bit (IWDT Start Mode Select)

The IWDTSTRT bit selects the mode in which the IWDT is activated after a reset (stopped state or activated state).

IWDTTOPS[1:0] bits (IWDT Timeout Period Select)

The IWDTTOPS[1:0] bits select the timeout period, that is, the time it takes for the down counter to underflow, as 128, 512, 1024, or 2048 cycles of the frequency-divided clock set in the IWDTCKS[3:0] bits. The number of clock cycles that

the IWDT takes to underflow after a refresh operation is determined by the combination of the IWDTCKS[3:0] and IWDTTOPS[1:0] bits.

See [section 26, Independent Watchdog Timer \(IWDT\)](#) for details.

IWDTCKS[3:0] bits (IWDT-Dedicated Clock Frequency Division Ratio Select)

The IWDTCKS[3:0] bits select the division ratio of the prescaler for dividing the frequency of the clock for the IWDT as 1/1, 1/16, 1/32, 1/64, 1/128, or 1/256. Using this setting combined with the IWDTTOPS[1:0] bit setting, the IWDT counting period can be set from 128 to 524288 IWDT clock cycles.

See [section 26, Independent Watchdog Timer \(IWDT\)](#) for details.

IWDTRPES[1:0] bits (IWDT Window End Position Select)

The IWDTRPES[1:0] bits select the position where the window for the down counter ends as 0%, 25%, 50%, or 75% of the count value. The value of the window end position must be smaller than the value of the window start position. Otherwise, only the value for the window start position is valid.

The counter values associated with the settings for the start and end positions of the window in the IWDTRPSS[1:0] and IWDTRPES[1:0] bits vary depending on the setting in the IWDTTOPS[1:0] bits.

See [section 26, Independent Watchdog Timer \(IWDT\)](#) for details.

IWDTRPSS[1:0] bits (IWDT Window Start Position Select)

The IWDTRPSS[1:0] bits select the position where the window for the down counter starts as 25%, 50%, 75%, or 100% of the counted value. The point at which counting starts is 100% and the point at which an underflow occurs is 0%. The interval between the window starts and ends positions becomes the period in which a refresh is possible. Refresh is not possible outside this period.

See [section 26, Independent Watchdog Timer \(IWDT\)](#) for details.

IWDRSTIRQS bit (IWDT Reset Interrupt Request Select)

The IWDRSTIRQS bit selects the operation on an underflow of the down counter or generation of a refresh error. The operation is selectable to an independent watchdog timer reset, a non-maskable interrupt request, or an interrupt request is selectable.

See [section 26, Independent Watchdog Timer \(IWDT\)](#) for details.

IWDSTPCTL bit (IWDT Stop Control)

The IWDSTPCTL bit selects whether to stop counting when entering Sleep mode, Snooze, or Software Standby mode. See [section 26, Independent Watchdog Timer \(IWDT\)](#) for details.

WDTSTRT bit (WDT Start Mode Select)

The WDTSTRT bit selects the mode in which the WDT is activated after a reset (stopped state or activated in auto-start mode). When WDT is activated in auto-start mode, the OFS0 register setting for the WDT is valid.

WDTTOPS[1:0] bits (WDT Timeout Period Select)

The WDTTOPS[1:0] bits specify the timeout period, the time it takes for the down counter to underflow, as 1024, 4096, 8192, or 16384 cycles of the frequency-divided clock set in the WDTCKS[3:0] bits. The number of PCLKB cycles that the counter takes to underflow after a refresh operation is determined by a combination of the WDTCKS[3:0] bits and WDTTOPS[1:0] bits.

See [section 25, Watchdog Timer \(WDT\)](#) for details.

WDTCKS[3:0] bits (WDT Clock Frequency Division Ratio Select)

The WDTCKS[3:0] bits select the division ratio of the prescaler for dividing the PCLKB frequency as 1/4, 1/64, 1/128, 1/512, 1/2048, or 1/8192. Using this setting combined with the WDTTOPS[1:0] bit setting, the WDT counting period can be set from 4096 to 134217728 PCLKB cycles.

See [section 25, Watchdog Timer \(WDT\)](#) for details.

WDTRPES[1:0] bits (WDT Window End Position Select)

The WDTRPES[1:0] bits select the position of the end of the window for the down counter as 0%, 25%, 50%, or 75% of the counted value. The value of the window end position must be smaller than the value of the window start position. Otherwise, only the value for the window start position is valid.

The counter values corresponding to the settings for the start and end positions of the window in the WDTRPSS[1:0] and WDTRPES[1:0] bits vary with the setting of the WDTTOPS[1:0] bits.

See [section 25, Watchdog Timer \(WDT\)](#) for details.

WDTRPSS[1:0] bits (WDT Window Start Position Select)

The WDTRPSS[1:0] bits select the position where the window for the down counter starts as 25%, 50%, 75%, or 100% of the counted value. The point at which counting starts is 100% and the point at which an underflow occurs is 0%. The interval between the window start and end positions becomes the period in which a refresh is possible. However, refresh is not possible outside this period.

See [section 25, Watchdog Timer \(WDT\)](#) for details.

WDRSTIRQS bit (WDT Reset Interrupt Request Select)

The WDRSTIRQS bit selects the operation on an underflow of the down counter or generation of a refresh error. The operation is selectable to a watchdog timer reset, a non-maskable interrupt request, or an interrupt request.

See [section 25, Watchdog Timer \(WDT\)](#) for details.

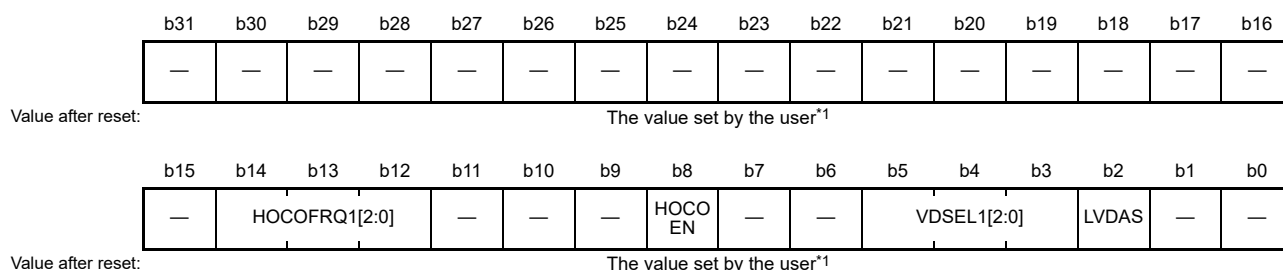
WDTSTPCTL bit (WDT Stop Control)

The WDTSTPCTL bit specifies whether to stop counting when entering Sleep mode.

See [section 25, Watchdog Timer \(WDT\)](#) for details.

6.2.2 Option Function Select Register 1 (OFS1)

Address(es): OFS1 0000 0404h



| Bit | Symbol | Bit name | Description | R/W |
|----------|-------------|-----------------------------------|-----------------------------------------------------------------------------------------------------------------------------------------------------------------------|-----|
| b1, b0 | — | Reserved | When read, these bits return the written value. The write value should be 1. | R |
| b2 | LVDAS | Voltage Detection 0 Circuit Start | 0: Enable voltage monitor 0 reset after a reset 1: Disable voltage monitor 0 reset after a reset. | R |
| b5 to b3 | VDSEL1[2:0] | Voltage Detection 0 Level Select | b5 b3 0 0 0: Selects 3.84 V 0 0 1: Selects 2.82 V 0 1 0: Selects 2.51 V 0 1 1: Selects 1.90 V 1 0 0: Selects 1.70 V. Other settings are prohibited. | |
| b7, b6 | — | Reserved | When read, these bits return the written value. The write value should be 1. | R |
| b8 | HOCOEN | HOCO Oscillation Enable | 0: Enable HOCO oscillation after a reset 1: Disable HOCO oscillation after a reset. | R |

| Bit | Symbol | Bit name | Description | R/W |
|------------|---------------|--------------------------|----------------------------------------------------------------------------------------------------------------|-----|
| b11 to b9 | — | Reserved | When read, these bit return the written value. The write value should be 1. | R |
| b14 to b12 | HOCOFrq1[2:0] | HOCO Frequency Setting 1 | b14 b12 0 0 0: 24 MHz 0 1 0: 32 MHz 1 0 0: 48 MHz 1 0 1: 64 MHz. Other settings are prohibited. | R |
| b31 to b15 | — | Reserved | When read, these bits return the written value. The write value should be 1. | R |

Note 1. The value in the blank product is FFFF FFFFh. It is set to the value written by your application.

LVDAS bit (Voltage Detection 0 Circuit Start)

The LVDAS bit selects whether the voltage monitor 0 reset is enabled or disabled after a reset.

VDSEL1[2:0] bit (Voltage Detection 0 Level Select)

The VDSEL1[2:0] bits select the voltage detection level of the voltage detection 0 circuit.

HOCOEN bit (HOCO Oscillation Enable)

The HOCOEN bit selects whether the HOCO oscillation is enabled or disabled after a reset. Setting this bit to 0 allows the HOCO oscillation to start before the CPU starts operation, which reduces the wait time for oscillation stabilization.

Note: When the HOCOEN bit is set to 0, the system clock source is not switched to HOCO. The system clock source is switched to HOCO only by setting the Clock Source Select bits (SCKSCR.CKSEL[2:0]). To use the HOCO clock, set the OFS1.HOCOFrq1 bit to an optimum value.

After a reset release, operation is in the low-voltage mode, and so HOCOcr.HCSTP must be immediately set to 0.

HOCOFrq1[2:0] bits (HOCO Frequency Setting 1)

The HOCOFrq1[2:0] bits select the HOCO frequency after a reset as 24, 32, 48, or 64 MHz.

6.2.3 MPU Registers

Table 6.1 shows the registers related to the MPU function. For details, see [section 15, Memory Protection Unit \(MPU\)](#).

The security MPU is disabled on erasure of the flash memory. If incorrect data is written to the MPU register, the MCU might fail to operate. See [section 15, Memory Protection Unit \(MPU\)](#) to set the proper data.

Table 6.1 MPU registers (1 of 2)

| Register name | Symbol | Function | Address | Size (byte) |
|-------------------------------------------------------|------------|-----------------------------------------------------------|------------|-------------|
| Security MPU Program Counter Start Address Register 0 | SECMpUPCS0 | Specifies the security fetch region of code flash or SRAM | 0000 0408h | 4 |
| Security MPU Program Counter End Address Register 0 | SECMpUPCE0 | Specifies the security fetch region of code flash or SRAM | 0000 040Ch | 4 |
| Security MPU Program Counter Start Address Register 1 | SECMpUPCS1 | Specifies the security fetch region of code flash or SRAM | 0000 0410h | 4 |
| Security MPU Program Counter End Address Register 1 | SECMpUPCE1 | Specifies the security fetch region of code flash or SRAM | 0000 0414h | 4 |
| Security MPU Region 0 Start Address Register | SECMpUS0 | Specifies the security program and code flash data | 0000 0418h | 4 |
| Security MPU Region 0 End Address Register | SECMpUE0 | Specifies the security program and code flash data | 0000 041Ch | 4 |
| Security MPU Region 1 Start Address Register | SECMpUS1 | Specifies the secure data of SRAM | 0000 0420h | 4 |
| Security MPU Region 1 End Address Register | SECMpUE1 | Specifies the secure data of SRAM | 0000 0424h | 4 |

Table 6.1 MPU registers (2 of 2)

| Register name | Symbol | Function | Address | Size (byte) |
|----------------------------------------------|----------|-------------------------------------------------|------------|-------------|
| Security MPU Region 2 Start Address Register | SECMPUS2 | Specifies the secure data of security functions | 0000 0428h | 4 |
| Security MPU Region 2 End Address Register | SECMPUS2 | Specifies the secure data of security functions | 0000 042Ch | 4 |
| Security MPU Region 3 Start Address Register | SECMPUE3 | Specifies the secure data of security functions | 0000 0430h | 4 |
| Security MPU Region 3 End Address Register | SECMPUE3 | Specifies the secure data of security functions | 0000 0434h | 4 |
| Security MPU Access Control Register | SECMPUAC | Specifies the security enabled/disabled region | 0000 0438h | 4 |

6.2.4 Access Window Setting Control Register (AWSC)

Address(es): [AWSC 0101 0008h](#)

| | | | | | | | | | | | | | | | |
|-----|-----|-----|-----|-----|-----|-----|-----|-----|-----|-----|-----|-----|-----|-----|-----|
| b31 | b30 | b29 | b28 | b27 | b26 | b25 | b24 | b23 | b22 | b21 | b20 | b19 | b18 | b17 | b16 |
| — | — | — | — | — | — | — | — | — | — | — | — | — | — | — | — |

Value after reset: The value set by the user

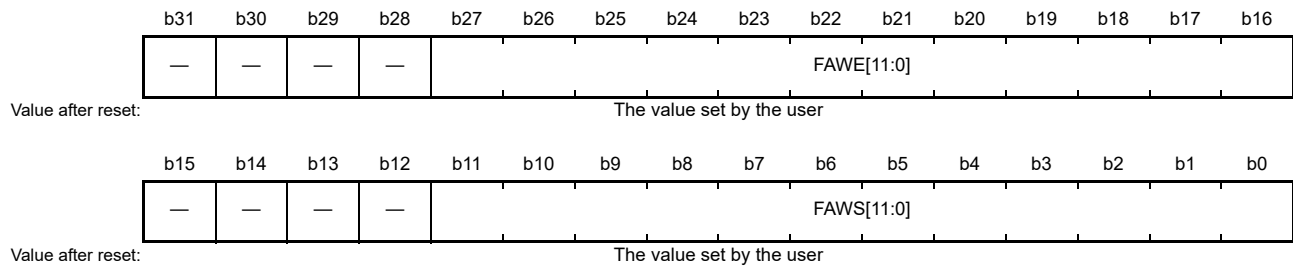
| | | | | | | | | | | | | | | | |
|-----|------|-----|-----|-----|-----|----|-------|----|----|----|----|----|----|----|----|
| b15 | b14 | b13 | b12 | b11 | b10 | b9 | b8 | b7 | b6 | b5 | b4 | b3 | b2 | b1 | b0 |
| — | FSPR | — | — | — | — | — | BTFLG | — | — | — | — | — | — | — | — |

Value after reset: The value set by the user

| Bit | Symbol | Bit name | Description | R/W |
|------------|-----------------------|--------------------------------------------------------------|---------------------------------------------------------------------------------------------------------------------------------------------------------------------------------------------------------------------------------------------------------------------------------------------------------------------------------------------------------------------------------------------------------------------------------------------------------------------------------------------------------------------------------------------------------|-----|
| b7 to b0 | — | Reserved | When read, these bits return the written value. The write value should be 1. | R |
| b8 | BTFLG | Startup Area Select Flag | This bit specifies whether the address of the startup area is exchanged for the boot swap function. 0: The first 8-KB area (0000 0000h to 0000 1FFFh) and second 8-KB area (0000 2000h to 0000 3FFFh) are exchanged 1: The first 8-KB area (0000 0000h to 0000 1FFFh) and second 8-KB area (0000 2000h to 0000 3FFFh) are not exchanged. | R |
| b13 to b9 | — | Reserved | When read, these bits return the written value. The write value should be 1. | R |
| b14 | FSPR | Protection of Access Window and Startup Area Select Function | This bit controls the programming of the write/erase protection for the access window, the Startup Area Select Flag (BTFLG), and the temporary boot swap control. If this bit is set to 0, it cannot be changed to 1. 0: Executing the configuration setting command for programming the access window (FAWE[11:0], FAWS[11:0]) and the Startup Area Select Flag (BTFLG) is invalid. 1: Executing the configuration setting command for programming the access window (FAWE[11:0], FAWS[11:0]) and the Startup Area Select Flag (BTFLG) is valid. | R |
| b31 to b15 | — | Reserved | When read, these bits return the written value. The write value should be 1. | R |

6.2.5 Access Window Setting Register (AWS)

Address(es): **AWS 0101 0010h**



| Bit | Symbol | Bit name | Description | R/W |
|------------|-------------------|-------------------------------------|-------------------------------------------------------------------------------------------------------------------------------------------------------------------------------------------------------------------------------------------------------------------------------------------------------------------------------------------------------------------------------------------------------------------------------------------|-----|
| b11 to b0 | FAWS[11:0] | Access Window Start Block Address*1 | These bits specify the start block address for the access window. They do not represent the block number of the access window. The access window is only valid in the program flash area. The block address specifies the first address of the block and consists of the address bits [21:10]. | R |
| b15 to b12 | — | Reserved | When read, these bits return the written value. The write value should be 1. | R |
| b27 to b16 | FAWE[11:0] | Access Window End Block Address*1 | These bits specify the end block address for the access window. They do not represent the block number of the access window. The access window is only valid in the program flash area. The end block address for the access window is the next block to the acceptable programming and erasure region defined by the access window. The block address specifies the first address of the block and consists of the address bits [21:10]. | R |
| b31 to b28 | — | Reserved | When read, these bits return the written value. The write value should be 1. | R |

Note 1. The write value should be 0 for FAWE[0] and FAWS[0].

Issuing the program or erase command to an area outside the access window causes a command-locked state. The access window is only valid in the program flash area. The access window provides protection in self-programming mode, serial programming mode and on-chip debug mode. The access window can be locked by the FSPR bit.

The access window is specified in both the FAWS[11:0] and FAWE[11:0] bits.

The settings for the bits are as follows.

- FAWE[11:0] = FAWS[11:0]: The P/E command is allowed to execute in the full program flash area.
- FAWE[11:0] > FAWS[11:0]: The P/E command is only allowed to execute in the window from the block pointed to by the FAWS[11:0] bits to the block one lower than block pointed to by the FAWE[11:0] bits
- FAWE[11:0] < FAWS[11:0]: The P/E command is not allowed to execute in the program flash area.

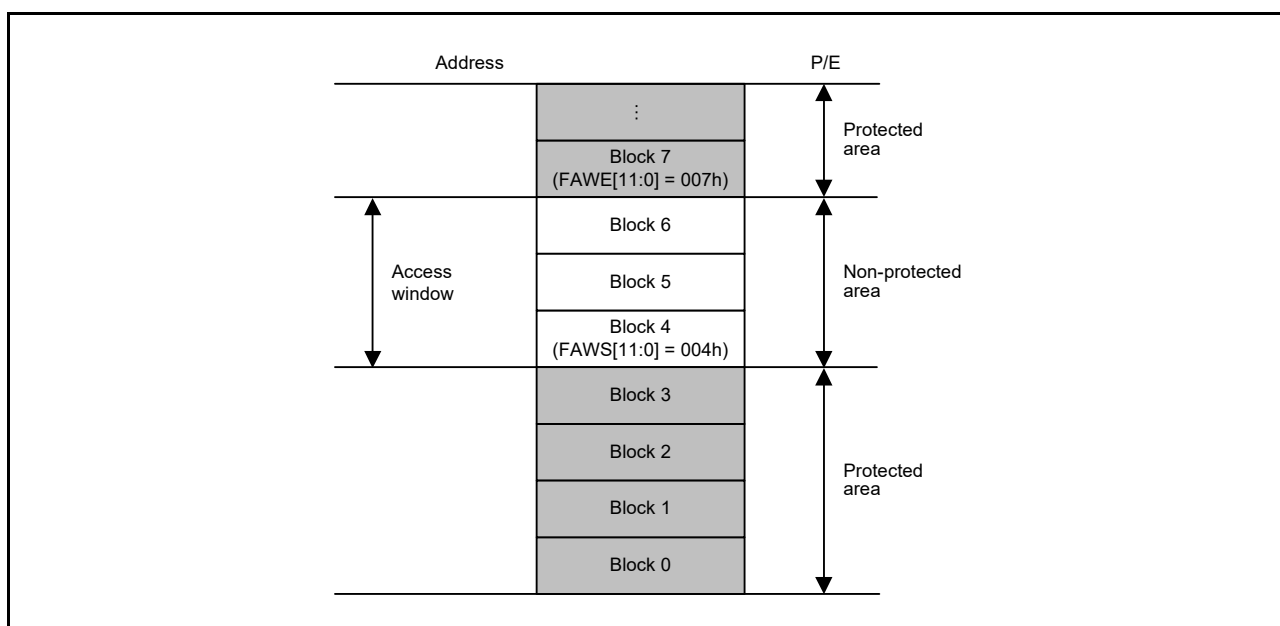
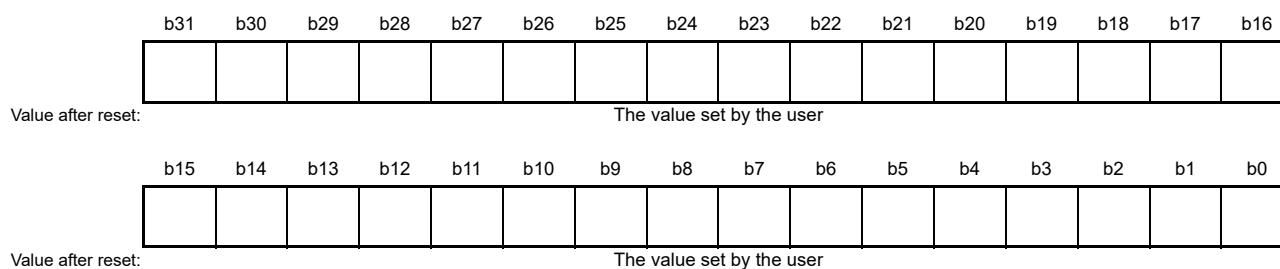


Figure 6.2 Access window overview

6.2.6 OCD/Serial Programmer ID Setting Register (OSIS)

The OSIS register stores the ID for ID code protection of the OCD/serial programmer. When connecting the OCD/serial programmer, write values so that the MCU can determine whether to permit the connection. Use this register to check whether a code transmitted from the OCD/serial programmer matches the ID code in the option-setting memory. When the ID codes match, connection with the OCD/serial programmer is permitted, if not, connection with the OCD/serial programmer is not possible. The OSIS register must be set in 32-bit units.

Address(es): [OSIS 0101 0018h](#), [OSIS 0101 0020h](#), [OSIS 0101 0028h](#), [OSIS 0101 0030h](#)



These fields hold the ID for use in ID authentication for the OCD/serial programmer.

ID code bits [127] and [126] determine whether the ID code protection is enabled, and the method of authentication to use with the host. [Table 6.2](#) shows how the ID code determines the method of authentication.

Table 6.2 Specifications for ID code protection

| Operating mode on boot up | ID code | State of protection | Operations on connection to programmer or on-chip debugger |
|---------------------------------------------|---------------------------------------------------------------------------|---------------------|-------------------------------------------------------------------------------------------------------------------------------------------------------------------------------------------------------------------------------------------------------------------------------------------------------------------------------------------------------------------------------------------------------------------------------------------------------------------------------------------------------------------------|
| Serial programming mode (SCI/USB boot mode) | FFh, ..., FFh (all bytes are FFh) | Protection disabled | The ID code is not checked, the ID code always matches, and the connection to the programmer or on-chip debugger is permitted |
| On-chip debug mode (JTAG/SWD boot mode) | Bit [127] = 1, bit [126] = 1, and at least one of the 16 bytes is not FFh | Protection enabled | Matching ID code indicates that authentication is complete and connection with the programmer or the on-chip debugger is permitted. Mismatching ID code indicates transition to the ID code protection wait state. When the ID code sent from the programmer or the on-chip debugger is ALERASE in ASCII code (414C_6552_4153_45FF_FFFF_FFFF_FFFF_FF FFh), the contents of the user flash (code and data) area and configuration area are erased. However, forced erasure is not executed when the FSPR bit is 0. |
| | Bit [127] = 1 and bit [126] = 0 | Protection enabled | Matching ID code indicates that authentication is complete and connection with the programmer or the on-chip debugger is permitted. Mismatching ID code indicates transition to the ID code protection wait state. |
| | Bit [127] = 0 | Protection enabled | The ID code is not checked, the ID code is always mismatching, and connection with the programmer or the on-chip debugger is prohibited. |

6.3 Setting Option-Setting Memory

6.3.1 Allocation of Data in Option-Setting Memory

Programming data is allocated to the addresses in the option-setting memory shown in [Figure 6.1](#). The allocated data is used by tools such as a flash programming software or an on-chip debugger.

Note: Programming formats vary depending on the compiler. See the compiler manual for details.

6.3.2 Setting Data for Programming Option-Setting Memory

Allocating data according to the procedure described in [section 6.3.1, Allocation of Data in Option-Setting Memory](#), alone does not actually write the data to the option-setting memory. You must also follow one of the actions described in this section.

(1) Changing the option-setting memory by self-programming

Use the programming command to write data to the program flash area. Use the configuration setting command to write data to the option-setting memory in the configuration setting area. In addition, use the startup area select function to safely update the boot program which includes the option-setting memory.

See [section 44, Flash Memory](#) for details on the programming command, the configuration setting command, and the startup area select function.

(2) Debugging through an OCD or programming by a flash writer

This procedure depends on the tool in use, so see the tool manual for details.

The MCU provides two setting procedures as follows:

- Read the data allocated as described in [section 6.3.1, Allocation of Data in Option-Setting Memory](#), from an object file or Motorola S-format file generated by the compiler, and write the data to the MCU
- Use the GUI interface of the tool to program the same data allocated as described in [section 6.3.1, Allocation of Data in Option-Setting Memory](#).

6.4 Usage Note

6.4.1 Data for Programming Reserved Areas and Reserved Bits in the Option-Setting Memory

When reserved areas and reserved bits in the option-setting memory are available for programming, write 1 to all bits of reserved areas and all reserved bits. If 0 is written to these bits, normal operation cannot be guaranteed.

7. Low Voltage Detection (LVD)

7.1 Overview

The Low Voltage Detection (LVD) module monitors the voltage level input to the VCC pin, and the detection level can be selected using a software program. The LVD module consists of three separate voltage level detectors, 0, 1, and 2, which measure the voltage level input to the VCC pin. LVD voltage detection registers allow your application to configure detection of VCC change at various voltage thresholds.

Each voltage level detector has a voltage monitor associated with it, called voltage monitor 0, 1, and 2. Voltage monitor registers configure the LVD to trigger an interrupt, event link output, or reset when the thresholds are crossed.

[Table 7.1](#) lists the LVD specifications. [Figure 7.1](#) shows a block diagram of voltage detectors 0, 1, and 2, [Figure 7.2](#) shows a block diagram of the voltage monitor 1 interrupt/reset circuit, and [Figure 7.3](#) shows a block diagram of the voltage monitor 2 interrupt/reset circuit.

Table 7.1 LVD specifications

| Parameter | | Voltage monitor 0 | Voltage monitor 1 | Voltage monitor 2 |
|------------------------------|-------------------|---------------------------------------------------------------------------------------|---------------------------------------------------------------------------------------------------------------------------------|---------------------------------------------------------------------------------------------------------------------------------|
| VCC monitoring | Monitored voltage | V_{det0} | V_{det1} | V_{det2} |
| | Detected event | Voltage falls below V_{det0} | Voltage rises or falls past V_{det1} | Voltage rises or falls past V_{det2} |
| | Detection voltage | Selectable from five different levels in the OFS1.VDSEL1[2:0] bits | Selectable from 16 different levels in the LVDLVLR.LVD1LVL[4:0] bits | Selectable from four different levels in the LVDLVLR.LVD2LVL[2:0] bits |
| | Monitor flag | None | LVD1SR.MON flag: Monitors whether voltage is higher or lower than V_{det1} | LVD2SR.MON flag: Monitors whether voltage is higher or lower than V_{det2} |
| Process on voltage detection | Reset | Voltage monitor 0 reset | Voltage monitor 1 reset | Voltage monitor 2 reset |
| | | Reset when $V_{det0} > VCC$ CPU restart after specified time with $VCC > V_{det0}$ | Reset when $V_{det1} > VCC$ CPU restart timing selectable: after specified time with $VCC > V_{det1}$ or $V_{det1} > VCC$ | Reset when $V_{det2} > VCC$ CPU restart timing selectable: after specified time with $VCC > V_{det2}$ or $V_{det2} > VCC$ |
| | Interrupt | No interrupt | Voltage monitor 1 interrupt | Voltage monitor 2 interrupt |
| Event linking | None | None | Non-maskable interrupt or maskable interrupt selectable | Non-maskable interrupt or maskable interrupt selectable |
| | | | Interrupt request issued when $V_{det1} > VCC$ or $VCC > V_{det1}$ | Interrupt request issued when $V_{det2} > VCC$ or $VCC > V_{det2}$ |
| | | | Available Output of event signals on detection of V_{det1} crossings | Available Output of event signals on detection of V_{det2} crossings |

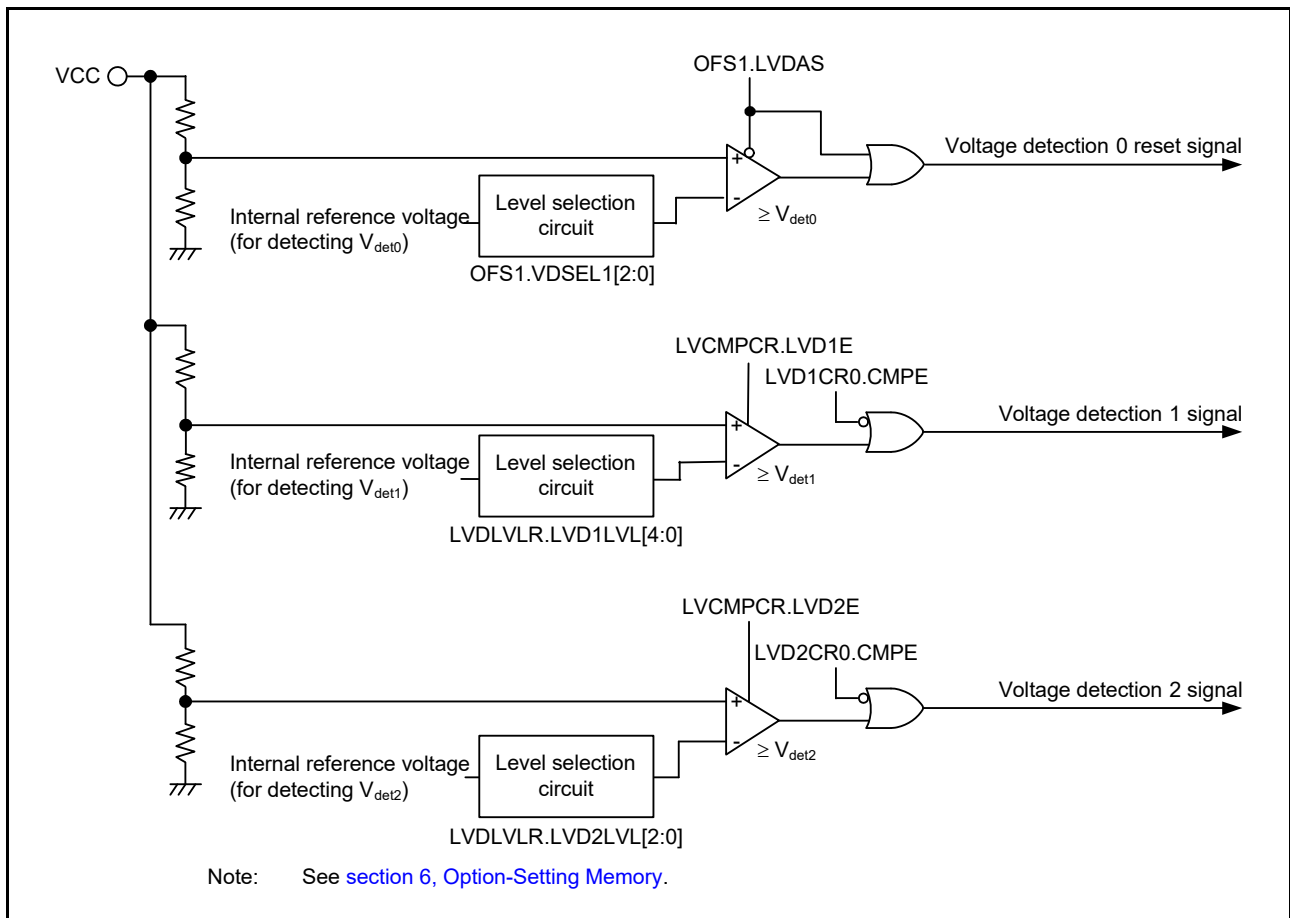


Figure 7.1 Voltage detection 0, 1, and 2 block diagram

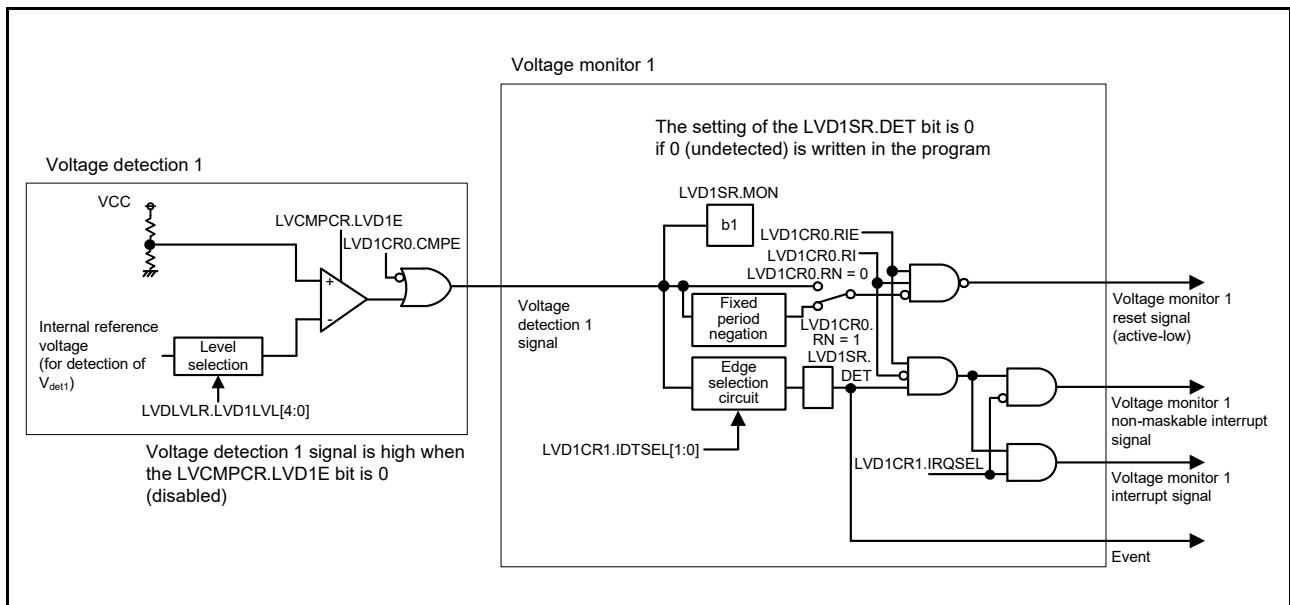


Figure 7.2 Voltage monitor 1 interrupt/reset circuit block diagram

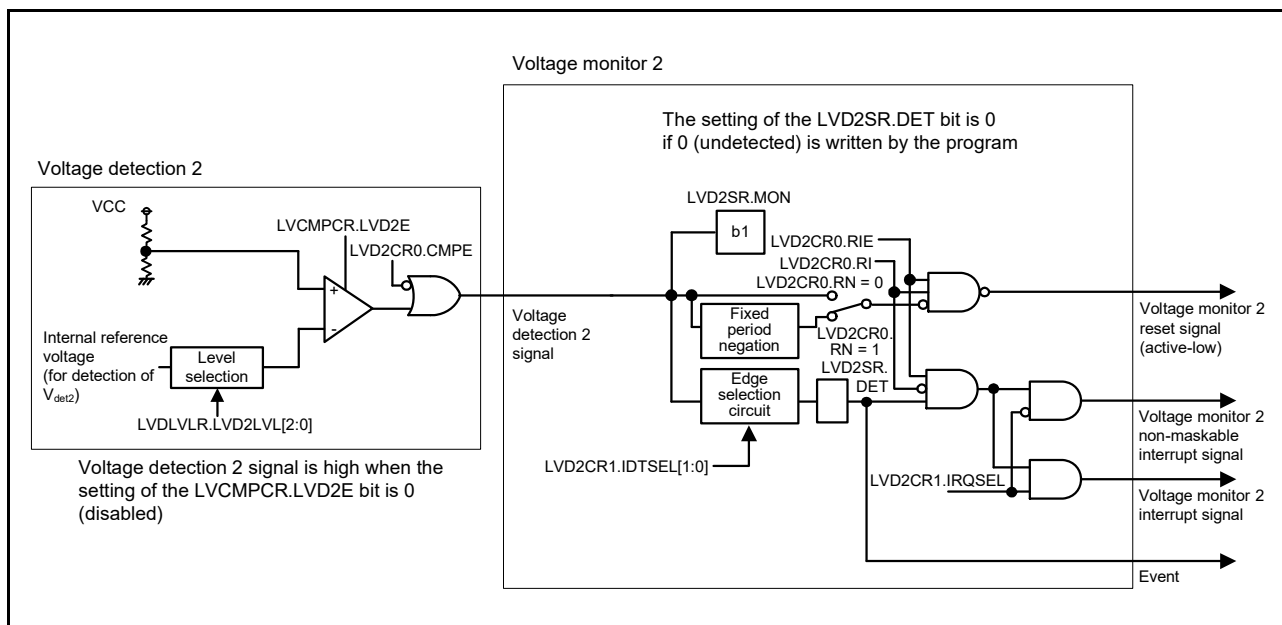


Figure 7.3 Voltage monitor 2 interrupt/reset circuit block diagram

7.2 Register Descriptions

7.2.1 Voltage Monitor 1 Circuit Control Register 1 (LVD1CR1)

Address(es): SYSTEM.LVD1CR1 4001 E0E0h

| | | | | | | | |
|----|----|----|----|----|--------|-------------|----|
| b7 | b6 | b5 | b4 | b3 | b2 | b1 | b0 |
| — | — | — | — | — | IRQSEL | IDTSEL[1:0] | |

Value after reset: 0 0 0 0 0 0 0 1

| Bit | Symbol | Bit name | Description | R/W |
|----------|-------------|---------------------------------------------------------|---------------------------------------------------------------------------------------------------------------------------------------------------------------------------------|-----|
| b1, b0 | IDTSEL[1:0] | Voltage Monitor 1 Interrupt Generation Condition Select | b1 b0 0 0: When $VCC \geq V_{det1}$ (rise) is detected 0 1: When $VCC < V_{det1}$ (fall) is detected 1 0: When fall and rise are detected 1 1: Settings prohibited. | R/W |
| b2 | IRQSEL | Voltage Monitor 1 Interrupt Type Select | 0: Non-maskable interrupt 1: Maskable interrupt*1. | R/W |
| b7 to b3 | — | Reserved | These bits are read as 0. The write value should be 0. | R/W |

Note: Set the PRCR.PRC3 bit to 1 (write enabled) before rewriting this register.

Note 1. When enabling maskable interrupts, do not change the NMIER.LVD1EN bit value in the ICU from the reset state.

7.2.2 Voltage Monitor 1 Circuit Status Register (LVD1SR)

Address(es): SYSTEM.LVD1SR 4001 E0E1h

| | | | | | | | |
|----|----|----|----|----|----|-----|-----|
| b7 | b6 | b5 | b4 | b3 | b2 | b1 | b0 |
| — | — | — | — | — | — | MON | DET |
| 0 | 0 | 0 | 0 | 0 | 0 | 1 | 0 |

Value after reset:

| Bit | Symbol | Bit name | Description | R/W |
|----------|--------|-------------------------------------------------|-------------------------------------------------------------------|-------------|
| b0 | DET | Voltage Monitor 1 Voltage Change Detection Flag | 0: Not detected 1: V_{det1} passage detected. | R/(W) *1 |
| b1 | MON | Voltage Monitor 1 Signal Monitor Flag | 0: $VCC < V_{det1}$ 1: $VCC \geq V_{det1}$ or MON is disabled. | R |
| b7 to b2 | — | Reserved | These bits are read as 0. The write value should be 0. | R/W |

Note: Set the PRCR.PRC3 bit to 1 (write enabled) before rewriting this register.

Note 1. Only 0 can be written to this bit. After writing 0 to this bit, 2 system clock cycles are required for the bit to be read as 0.

DET flag (Voltage Monitor 1 Voltage Change Detection Flag)

The DET flag is enabled when the LVCMPCR.LVD1E bit is 1 (voltage detection 1 circuit enabled) and the LVD1CR0.CMPE bit is 1 (voltage monitor 1 circuit comparison result output enabled).

Set the DET flag to 0 after LVD1CR0.RIE is set to 0 (disabled). LVD1CR0.RIE can be set to 1 (enabled) after 2 or more PCLKB cycles elapse.

MON flag (Voltage Monitor 1 Signal Monitor Flag)

The MON flag is enabled when the LVCMPCR.LVD1E bit is 1 (voltage detection 1 circuit enabled) and the LVD1CR0.CMPE bit is 1 (voltage monitor 1 circuit comparison result output enabled).

7.2.3 Voltage Monitor 2 Circuit Control Register 1 (LVD2CR1)

Address(es): SYSTEM.LVD2CR1 4001 E0E2h

| | | | | | | | |
|----|----|----|----|----|--------|-------------|----|
| b7 | b6 | b5 | b4 | b3 | b2 | b1 | b0 |
| — | — | — | — | — | IRQSEL | IDTSEL[1:0] | |
| 0 | 0 | 0 | 0 | 0 | 0 | 0 | 1 |

Value after reset:

| Bit | Symbol | Bit name | Description | R/W |
|----------|-------------|---------------------------------------------------------|--------------------------------------------------------------------------------------------------------------------------------------------------------------------------------|-----|
| b1, b0 | IDTSEL[1:0] | Voltage Monitor 2 Interrupt Generation Condition Select | b1 b0 0 0: When $VCC \geq V_{det2}$ (rise) is detected 0 1: When $VCC < V_{det2}$ (fall) is detected 1 0: When fall and rise are detected 1 1: Setting prohibited. | R/W |
| b2 | IRQSEL | Voltage Monitor 2 Interrupt Type Select | 0: Non-maskable interrupt 1: Maskable interrupt*1. | R/W |
| b7 to b3 | — | Reserved | These bits are read as 0. The write value should be 0. | R/W |

Note: Set the PRCR.PRC3 bit to 1 (write enabled) before rewriting this register.

Note 1. When enabling maskable interrupts, do not change the value of the NMIER.LVD1EN bit in the ICU from the reset state.

7.2.4 Voltage Monitor 2 Circuit Status Register (LVD2SR)

Address(es): SYSTEM.LVD2SR 4001 E0E3h

| | | | | | | | |
|----|----|----|----|----|----|-----|-----|
| b7 | b6 | b5 | b4 | b3 | b2 | b1 | b0 |
| — | — | — | — | — | — | MON | DET |
| 0 | 0 | 0 | 0 | 0 | 0 | 1 | 0 |

Value after reset:

| Bit | Symbol | Bit name | Description | R/W |
|----------|--------|-------------------------------------------------|-------------------------------------------------------------------|------------------|
| b0 | DET | Voltage Monitor 2 Voltage Change Detection Flag | 0: Not detected 1: V_{det2} passage detected. | R/W ¹ |
| b1 | MON | Voltage Monitor 2 Signal Monitor Flag | 0: $VCC < V_{det2}$ 1: $VCC \geq V_{det2}$ or MON is disabled. | R |
| b7 to b2 | — | Reserved | These bits are read as 0. The write value should be 0. | R/W |

Note: Set the PRCR.PRC3 bit to 1 (write enabled) before rewriting this register.

Note 1. Only 0 can be written to this bit. After writing 0 to this bit, it takes 2 system clock cycles for the bit to be read as 0.

DET flag (Voltage Monitor 2 Voltage Change Detection Flag)

The DET flag is enabled when the LVCMPCR.LVD2E bit is 1 (voltage detection 2 circuit enabled) and the LVD2CR0.CMPE bit is 1 (voltage monitor 2 circuit comparison result output enabled).

Set the DET flag to 0 after LVD2CR0.RIE is set to 0 (disabled). LVD2CR0.RIE can be set to 1 (enabled) after 2 or more PCLKB cycles elapse.

MON flag (Voltage Monitor 2 Signal Monitor Flag)

The MON flag is enabled when the LVCMPCR.LVD2E bit is 1 (voltage detection 2 circuit enabled) and the LVD2CR0.CMPE bit is 1 (voltage monitor 2 circuit comparison result output enabled).

7.2.5 Voltage Monitor Circuit Control Register (LVCMPCR)

Address(es): SYSTEM.LVCMPCR 4001 E417h

| | | | | | | | |
|----|-------|-------|----|----|----|----|----|
| b7 | b6 | b5 | b4 | b3 | b2 | b1 | b0 |
| — | LVD2E | LVD1E | — | — | — | — | — |
| 0 | 0 | 0 | 0 | 0 | 0 | 0 | 0 |

Value after reset:

| Bit | Symbol | Bit name | Description | R/W |
|----------|--------|----------------------------|----------------------------------------------------------------------------------|-----|
| b4 to b0 | — | Reserved | These bits are read as 0. The write value should be 0. | R/W |
| b5 | LVD1E | Voltage Detection 1 Enable | 0: Disable voltage detection 1 circuit 1: Enable voltage detection 1 circuit. | R/W |
| b6 | LVD2E | Voltage Detection 2 Enable | 0: Disable voltage detection 2 circuit 1: Enable voltage detection 2 circuit. | R/W |
| b7 | — | Reserved | This bit is read as 0. The write value should be 0. | R/W |

Note: Set the PRCR.PRC3 bit to 1 (write enabled) before rewriting this register.

LVD1E bit (Voltage Detection 1 Enable)

When using voltage detection 1 interrupt/reset or the LVD1SR.MON bit, set the LVD1E bit to 1. The voltage detection 1 circuit starts when $t_{d(E-A)}$ elapses after the LVD1E bit value is changed from 0 to 1.

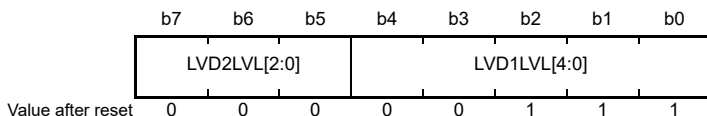
LVD2E bit (Voltage Detection 2 Enable)

When using voltage detection 2 interrupt/reset or the LVD2SR.MON bit, set the LVD2E bit to 1. The voltage detection 2

circuit starts when $t_{d(E-A)}$ elapses after the LVD2E bit value is changed from 0 to 1.

7.2.6 Voltage Detection Level Select Register (LVDLVL[R])

Address(es): SYSTEM.LVDLVL[R] 4001 E418h



| Bit | Symbol | Bit name | Description | R/W | | | | | | | | | | | | | | | | | | | | | | | | | | | | | | | | | | | | | | | | | | | | | | | | | | | |
|----------|--------------------------|----------------------------------------------------------------------------|-----------------------------------------------------------------------------------------------------------------------------------------------------------------------------------------------------------------------------------------------------------------------------------------------------------------------------------------------------------------------------------------------------------------------------------------------------------------------------------------------------------------------------------------------------------------------------------------------------------------------------------------------------------------------------------------------------------------------------------------------------------------------------------------------------------------------------------------------------------------------------------------------------------------------------------------------------------------------------------------------------------------------------------------------------------------------------------------------------------------------------------------------------------------------------------------------------------------------------------------------------------------------------------------------------------------------------------------------------------------------------------------------------------------------------------------------------------------------------------------------------------------------------------------------|-----|----|--|---------|--------------------------|--------------------------|---------|--------------------------|--------------------------|---------|--------------------------|--------------------------|---------|--------------------------|--------------------------|---------|--------------------|--------------------------|---------|--------------------|--------------------------|---------|--------------------|--------------------------|---------|---------------------|--------------------------|---------|----|--------------------------|---------|----|--------------------------|---------|----|--------------------------|---------|----|--------------------------|---------|----|--------------------------|---------|----|--------------------------|---------|----|--------------------------|---------|----|--------------------------|-----|
| b4 to b0 | LVD1LVL[4:0] | Voltage Detection 1 Level Select (standard voltage during fall in voltage) | <table border="0"> <tr> <td style="text-align: right;">b4</td> <td style="text-align: right;">b0</td> <td></td> </tr> <tr> <td>0 0 0 0</td> <td>0:</td> <td>4.29 V (V_{det1_0})</td> </tr> <tr> <td>0 0 0 1</td> <td>1:</td> <td>4.14 V (V_{det1_1})</td> </tr> <tr> <td>0 0 0 1</td> <td>0:</td> <td>4.02 V (V_{det1_2})</td> </tr> <tr> <td>0 0 0 1</td> <td>1:</td> <td>3.84 V (V_{det1_3})</td> </tr> <tr> <td>0 0 1 0</td> <td>0:</td> <td>3.10 V (V_{det1_4})</td> </tr> <tr> <td>0 0 1 0</td> <td>1:</td> <td>3.00 V (V_{det1_5})</td> </tr> <tr> <td>0 0 1 1</td> <td>0:</td> <td>2.90 V (V_{det1_6})</td> </tr> <tr> <td>0 0 1 1</td> <td>1:</td> <td>2.79 V (V_{det1_7})</td> </tr> <tr> <td>0 1 0 0</td> <td>0:</td> <td>2.68 V (V_{det1_8})</td> </tr> <tr> <td>0 1 0 0</td> <td>1:</td> <td>2.58 V (V_{det1_9})</td> </tr> <tr> <td>0 1 0 1</td> <td>0:</td> <td>2.48 V (V_{det1_A})</td> </tr> <tr> <td>0 1 0 1</td> <td>1:</td> <td>2.20 V (V_{det1_B})</td> </tr> <tr> <td>0 1 1 0</td> <td>0:</td> <td>1.96 V (V_{det1_C})</td> </tr> <tr> <td>0 1 1 0</td> <td>1:</td> <td>1.86 V (V_{det1_D})</td> </tr> <tr> <td>0 1 1 1</td> <td>0:</td> <td>1.75 V (V_{det1_E})</td> </tr> <tr> <td>0 1 1 1</td> <td>1:</td> <td>1.65 V (V_{det1_F})</td> </tr> </table> Other settings are prohibited. | b4 | b0 | | 0 0 0 0 | 0: | 4.29 V (V_{det1_0}) | 0 0 0 1 | 1: | 4.14 V (V_{det1_1}) | 0 0 0 1 | 0: | 4.02 V (V_{det1_2}) | 0 0 0 1 | 1: | 3.84 V (V_{det1_3}) | 0 0 1 0 | 0: | 3.10 V (V_{det1_4}) | 0 0 1 0 | 1: | 3.00 V (V_{det1_5}) | 0 0 1 1 | 0: | 2.90 V (V_{det1_6}) | 0 0 1 1 | 1: | 2.79 V (V_{det1_7}) | 0 1 0 0 | 0: | 2.68 V (V_{det1_8}) | 0 1 0 0 | 1: | 2.58 V (V_{det1_9}) | 0 1 0 1 | 0: | 2.48 V (V_{det1_A}) | 0 1 0 1 | 1: | 2.20 V (V_{det1_B}) | 0 1 1 0 | 0: | 1.96 V (V_{det1_C}) | 0 1 1 0 | 1: | 1.86 V (V_{det1_D}) | 0 1 1 1 | 0: | 1.75 V (V_{det1_E}) | 0 1 1 1 | 1: | 1.65 V (V_{det1_F}) | R/W |
| b4 | b0 | | | | | | | | | | | | | | | | | | | | | | | | | | | | | | | | | | | | | | | | | | | | | | | | | | | | | | |
| 0 0 0 0 | 0: | 4.29 V (V_{det1_0}) | | | | | | | | | | | | | | | | | | | | | | | | | | | | | | | | | | | | | | | | | | | | | | | | | | | | | |
| 0 0 0 1 | 1: | 4.14 V (V_{det1_1}) | | | | | | | | | | | | | | | | | | | | | | | | | | | | | | | | | | | | | | | | | | | | | | | | | | | | | |
| 0 0 0 1 | 0: | 4.02 V (V_{det1_2}) | | | | | | | | | | | | | | | | | | | | | | | | | | | | | | | | | | | | | | | | | | | | | | | | | | | | | |
| 0 0 0 1 | 1: | 3.84 V (V_{det1_3}) | | | | | | | | | | | | | | | | | | | | | | | | | | | | | | | | | | | | | | | | | | | | | | | | | | | | | |
| 0 0 1 0 | 0: | 3.10 V (V_{det1_4}) | | | | | | | | | | | | | | | | | | | | | | | | | | | | | | | | | | | | | | | | | | | | | | | | | | | | | |
| 0 0 1 0 | 1: | 3.00 V (V_{det1_5}) | | | | | | | | | | | | | | | | | | | | | | | | | | | | | | | | | | | | | | | | | | | | | | | | | | | | | |
| 0 0 1 1 | 0: | 2.90 V (V_{det1_6}) | | | | | | | | | | | | | | | | | | | | | | | | | | | | | | | | | | | | | | | | | | | | | | | | | | | | | |
| 0 0 1 1 | 1: | 2.79 V (V_{det1_7}) | | | | | | | | | | | | | | | | | | | | | | | | | | | | | | | | | | | | | | | | | | | | | | | | | | | | | |
| 0 1 0 0 | 0: | 2.68 V (V_{det1_8}) | | | | | | | | | | | | | | | | | | | | | | | | | | | | | | | | | | | | | | | | | | | | | | | | | | | | | |
| 0 1 0 0 | 1: | 2.58 V (V_{det1_9}) | | | | | | | | | | | | | | | | | | | | | | | | | | | | | | | | | | | | | | | | | | | | | | | | | | | | | |
| 0 1 0 1 | 0: | 2.48 V (V_{det1_A}) | | | | | | | | | | | | | | | | | | | | | | | | | | | | | | | | | | | | | | | | | | | | | | | | | | | | | |
| 0 1 0 1 | 1: | 2.20 V (V_{det1_B}) | | | | | | | | | | | | | | | | | | | | | | | | | | | | | | | | | | | | | | | | | | | | | | | | | | | | | |
| 0 1 1 0 | 0: | 1.96 V (V_{det1_C}) | | | | | | | | | | | | | | | | | | | | | | | | | | | | | | | | | | | | | | | | | | | | | | | | | | | | | |
| 0 1 1 0 | 1: | 1.86 V (V_{det1_D}) | | | | | | | | | | | | | | | | | | | | | | | | | | | | | | | | | | | | | | | | | | | | | | | | | | | | | |
| 0 1 1 1 | 0: | 1.75 V (V_{det1_E}) | | | | | | | | | | | | | | | | | | | | | | | | | | | | | | | | | | | | | | | | | | | | | | | | | | | | | |
| 0 1 1 1 | 1: | 1.65 V (V_{det1_F}) | | | | | | | | | | | | | | | | | | | | | | | | | | | | | | | | | | | | | | | | | | | | | | | | | | | | | |
| b7 to b5 | LVD2LVL[2:0] | Voltage Detection 2 Level Select (standard voltage during fall in voltage) | <table border="0"> <tr> <td style="text-align: right;">b7</td> <td style="text-align: right;">b5</td> <td></td> </tr> <tr> <td>0 0 0:</td> <td>4.29 V (V_{det2_0})</td> <td></td> </tr> <tr> <td>0 0 1:</td> <td>4.14 V (V_{det2_1})</td> <td></td> </tr> <tr> <td>0 1 0:</td> <td>4.02 V (V_{det2_2})</td> <td></td> </tr> <tr> <td>0 1 1:</td> <td>3.84 V (V_{det2_3})</td> <td></td> </tr> <tr> <td>1 0 0:</td> <td>Setting prohibited</td> <td></td> </tr> <tr> <td>1 0 1:</td> <td>Setting prohibited</td> <td></td> </tr> <tr> <td>1 1 0:</td> <td>Setting prohibited</td> <td></td> </tr> <tr> <td>1 1 1:</td> <td>Setting prohibited.</td> <td></td> </tr> </table> | b7 | b5 | | 0 0 0: | 4.29 V (V_{det2_0}) | | 0 0 1: | 4.14 V (V_{det2_1}) | | 0 1 0: | 4.02 V (V_{det2_2}) | | 0 1 1: | 3.84 V (V_{det2_3}) | | 1 0 0: | Setting prohibited | | 1 0 1: | Setting prohibited | | 1 1 0: | Setting prohibited | | 1 1 1: | Setting prohibited. | | R/W | | | | | | | | | | | | | | | | | | | | | | | | |
| b7 | b5 | | | | | | | | | | | | | | | | | | | | | | | | | | | | | | | | | | | | | | | | | | | | | | | | | | | | | | |
| 0 0 0: | 4.29 V (V_{det2_0}) | | | | | | | | | | | | | | | | | | | | | | | | | | | | | | | | | | | | | | | | | | | | | | | | | | | | | | |
| 0 0 1: | 4.14 V (V_{det2_1}) | | | | | | | | | | | | | | | | | | | | | | | | | | | | | | | | | | | | | | | | | | | | | | | | | | | | | | |
| 0 1 0: | 4.02 V (V_{det2_2}) | | | | | | | | | | | | | | | | | | | | | | | | | | | | | | | | | | | | | | | | | | | | | | | | | | | | | | |
| 0 1 1: | 3.84 V (V_{det2_3}) | | | | | | | | | | | | | | | | | | | | | | | | | | | | | | | | | | | | | | | | | | | | | | | | | | | | | | |
| 1 0 0: | Setting prohibited | | | | | | | | | | | | | | | | | | | | | | | | | | | | | | | | | | | | | | | | | | | | | | | | | | | | | | |
| 1 0 1: | Setting prohibited | | | | | | | | | | | | | | | | | | | | | | | | | | | | | | | | | | | | | | | | | | | | | | | | | | | | | | |
| 1 1 0: | Setting prohibited | | | | | | | | | | | | | | | | | | | | | | | | | | | | | | | | | | | | | | | | | | | | | | | | | | | | | | |
| 1 1 1: | Setting prohibited. | | | | | | | | | | | | | | | | | | | | | | | | | | | | | | | | | | | | | | | | | | | | | | | | | | | | | | |

Note: Set the PRCR.PRC3 bit to 1 (write enabled) before rewriting this register.

The contents of the LVDLVL[R] register can only be changed if the LVCMPCR.LVD1E and LVCMPCR.LVD2E bits (voltage detection n circuit disable, n = 1, 2) are both 0. Do not set LVD detectors 1 and 2 to the same voltage detection level.

7.2.7 Voltage Monitor 1 Circuit Control Register 0 (LVD1CR0)

Address(es): SYSTEM.LVD1CR0 4001 E41Ah



| Bit | Symbol | Bit name | Description | R/W |
|-----|--------|------------------------------------------|---------------------------------------------------|-----|
| b0 | RIE | Voltage Monitor 1 Interrupt/Reset Enable | 0: Disable 1: Enable. | R/W |
| b1 | — | Reserved | The read value is 0. The write value should be 0. | R/W |

| Bit | Symbol | Bit name | Description | R/W |
|----------|--------|-----------------------------------------------------------|------------------------------------------------------------------------------------------------------------------------------------------------------------------------------|-----|
| b2 | CMPE | Voltage Monitor 1 Circuit Comparison Result Output Enable | 0: Disable voltage monitor 1 circuit comparison result output 1: Enable voltage monitor 1 circuit comparison result output. | R/W |
| b3 | — | Reserved | The read value is undefined. The write value should be 1. | R/W |
| b5 to b4 | — | Reserved | These bits are read as 0. The write value should be 0. | R/W |
| b6 | RI | Voltage Monitor 1 Circuit Mode Select | 0: Generate voltage monitor 1 interrupt during V_{det1} passage 1: Enable voltage monitor 1 reset when the voltage falls to and below V_{det1} . | R/W |
| b7 | RN | Voltage Monitor 1 Reset Negate Select | 0: Negate after a stabilization time (t_{LVD1}) when $VCC > V_{det1}$ is detected 1: Negate after a stabilization time (t_{LVD1}) on assertion of the LVD1 reset. | R/W |

Note: Set the PRCR.PRC3 bit to 1 (write enabled) before rewriting this register.

RIE bit (Voltage Monitor 1 Interrupt/Reset Enable)

The RIE bit enables or disables the voltage monitor 1 interrupt/reset. Set this bit to ensure that neither a voltage monitor 1 interrupt nor a voltage monitor 1 reset is generated during programming or erasure of the flash memory.

RN bit (Voltage Monitor 1 Reset Negate Select)

If the RN bit is to be set to 1 (negation follows a stabilization time after assertion of the LVD1 reset signal), set the MOCOCCR.MCSTP bit to 0 (the MOCO operates). In addition, for a transition to Software Standby mode, the only possible value for the RN bit is 0 (negation follows a stabilization time after $VCC > V_{det1}$ is detected). Do not set the RN bit to 1 (negation follows a stabilization time after assertion of the LVD1 reset signal) when this is the case.

7.2.8 Voltage Monitor 2 Circuit Control Register 0 (LVD2CR0)

Address(es): SYSTEM.LVD2CR0 4001 E41Bh

| b7 | b6 | b5 | b4 | b3 | b2 | b1 | b0 |
|----|----|----|----|----|------|----|-----|
| RN | RI | — | — | — | CMPE | — | RIE |

Value after reset: 1 0 0 0 x 0 0 0

| Bit | Symbol | Bit Name | Description | R/W |
|----------|--------|-----------------------------------------------------------|------------------------------------------------------------------------------------------------------------------------------------------------------------------------------|-----|
| b0 | RIE | Voltage Monitor 2 Interrupt/Reset Enable | 0: Disable 1: Enable. | R/W |
| b1 | — | Reserved | The read value is 0. The write value should be 0. | R/W |
| b2 | CMPE | Voltage Monitor 2 Circuit Comparison Result Output Enable | 0: Disable voltage monitor 2 circuit comparison result output 1: Enable voltage monitor 2 circuit comparison result output. | R/W |
| b3 | — | Reserved | The read value is undefined. The write value should be 1. | R/W |
| b5 to b4 | — | Reserved | These bits are read as 0. The write value should be 0. | R/W |
| b6 | RI | Voltage Monitor 2 Circuit Mode Select | 0: Generate voltage monitor 2 interrupt on V_{det2} passage 1: Enable voltage monitor 2 reset when the voltage falls to or below V_{det2} . | R/W |
| b7 | RN | Voltage Monitor 2 Reset Negate Select | 0: Negate after a stabilization time (t_{LVD2}) when $VCC > V_{det2}$ is detected 1: Negate after a stabilization time (t_{LVD2}) on assertion of the LVD2 reset. | R/W |

Note: Set the PRCR.PRC3 bit to 1 (write enabled) before rewriting this register.

RIE bit (Voltage Monitor 2 Interrupt/Reset Enable)

The RIE bit enables or disables the voltage monitor 2 interrupt/reset. Set this bit to ensure that neither a voltage monitor 2 interrupt nor a voltage monitor 2 reset is generated during programming or erasure of the flash memory.

RN bit (Voltage Monitor 2 Reset Negate Select)

If the RN bit is to be set to 1 (negation follows a stabilization time after the assertion of the LVD2 reset signal), set the MOCOCCR.MCSTP bit to 0 (the MOCO operates). Additionally, for a transition to Software Standby mode, the only possible value for the RN bit is 0 (negation follows a stabilization time when $V_{CC} > V_{det2}$ is detected). Do not set the RN bit to 1 (negation follows a stabilization time after assertion of the LVD2 reset signal) when this is the case.

7.3 VCC Input Voltage Monitor**7.3.1 Monitoring V_{det0}**

The comparison results from voltage monitor 0 are not available for reading.

7.3.2 Monitoring V_{det1}

Table 7.2 shows the procedure to set up monitoring against V_{det1} . After the settings are completed, the comparison results from voltage monitor 1 can be monitored with the LVD1SR.MON flag.

Table 7.2 Procedure to set up monitoring against V_{det1}

| Step | Monitoring the results of comparison by voltage monitor 1 | |
|-----------------------------------------|-----------------------------------------------------------|------------------------------------------------------------------------------------------|
| Setting the voltage detection 1 circuit | 1 | Set LVCMPCR.LVD1E = 0 to disable voltage detection 1 before writing to LVDLVL register. |
| | 2 | Select the detection voltage in the LVDLVL.LVD1LVL[4:0] bits. |
| | 3 | Set LVCMPCR.LVD1E = 1 to enable voltage detection 1 circuit. |
| | 4 | Wait for at least $t_{d(E-A)}$ for the LVD operation stabilization after LVD is enabled. |
| Enabling output | 5 | Set LVD1CR0.CMPE = 1 to enable output of the comparison results from voltage monitor 1. |

7.3.3 Monitoring V_{det2}

Table 7.3 shows the procedure to set up monitoring against V_{det2} . After the settings are complete, the comparison results from voltage monitor 2 can be monitored using the LVD2SR.MON flag.

Table 7.3 Procedure to set up monitoring against V_{det2}

| Step | Monitoring the results of comparison by voltage monitor 2 | |
|-----------------------------------------|-----------------------------------------------------------|---------------------------------------------------------------------------------------------|
| Setting the voltage detection 2 circuit | 1 | Set LVCMPCR.LVD2E = 0 to disable voltage detection 2 before writing to the LVDLVL register. |
| | 2 | Select the detection voltage in the LVDLVL.LVD2LVL[2:0] bits. |
| | 3 | Set LVCMPCR.LVD2E = 1 to enable the voltage detection 2 circuit. |
| | 4 | Wait for at least $t_{d(E-A)}$ for the LVD operation stabilization after LVD is enabled. |
| Enabling output | 5 | Set LVD2CR0.CMPE = 1 to enable output of the comparison results from voltage monitor 2. |

7.4 Reset from Voltage Monitor 0

When using the reset from voltage monitor 0, clear the OFS1.LVDAS bit to 0 to enable the voltage monitor 0 reset after a reset. But, at boot mode, the reset from voltage monitor 0 is disabled regardless of the value of the OFS1.LVDAS bit.

Figure 7.4 shows an example operation of a voltage monitor 0 reset.

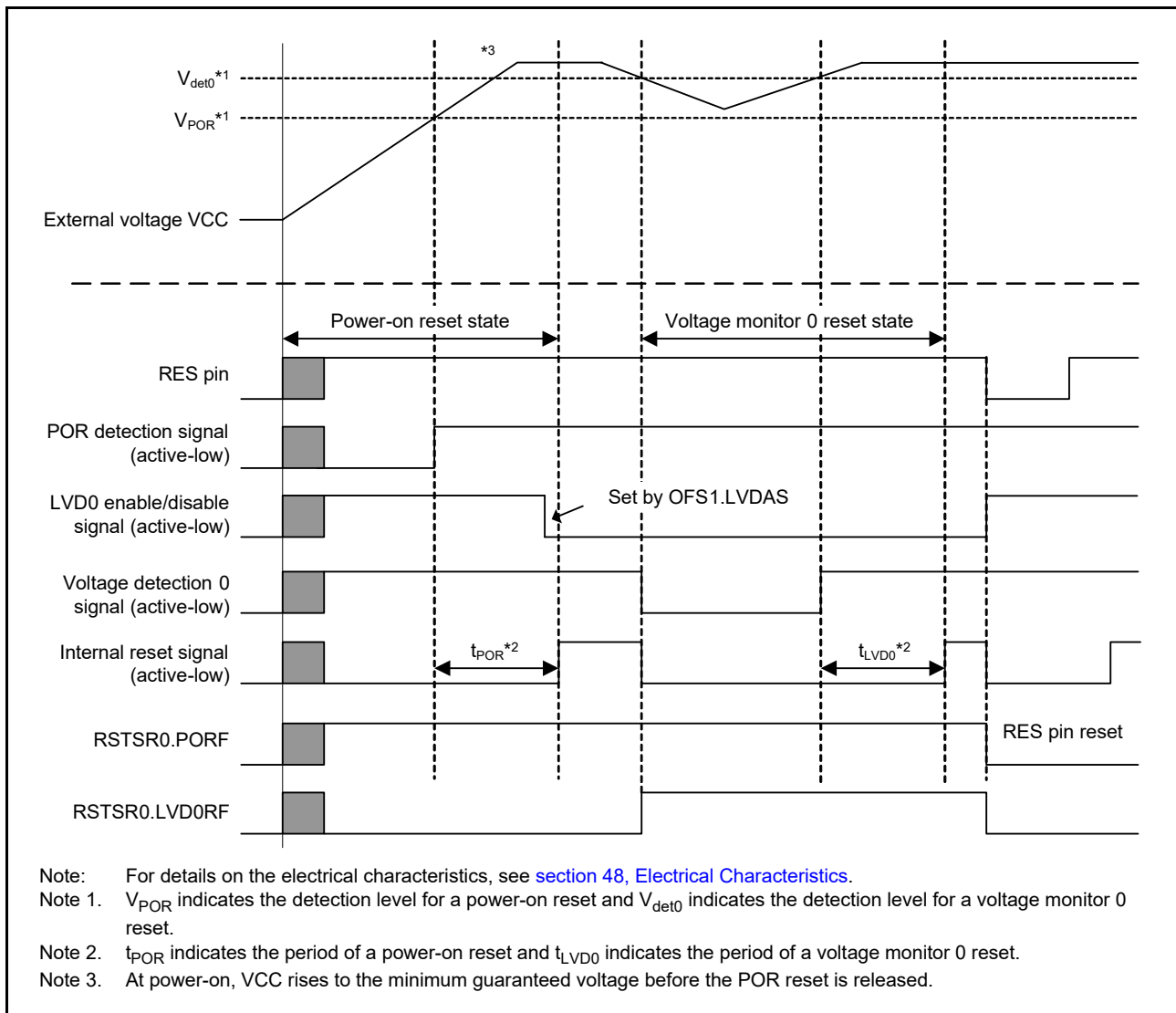


Figure 7.4 Example of voltage monitor 0 reset operation

7.5 Interrupt and Reset from Voltage Monitor 1

An interrupt or reset can be generated in response to the comparison results from the voltage monitor 1 circuit.

[Table 7.4](#) shows the procedures for setting bits related to the voltage monitor 1 interrupt/reset so that voltage monitoring occurs. [Table 7.5](#) shows the procedure for setting bits related to the voltage monitor 1 interrupt/reset so that voltage monitoring stops. [Figure 7.5](#) shows an example of operations for a voltage monitor 1 interrupt. For the operation of the voltage monitor 1 reset, see [Figure 5.2](#) in [section 5, Resets](#).

When using the voltage monitor 1 circuit in Software Standby mode, set up the circuit with the following procedures.

(1) Setting in Software Standby mode

- When $VCC > V_{det1}$ is detected, negate the voltage monitor 1 reset signal ($LVD1CR0.RN = 0$) following a stabilization time.

Table 7.4 Procedures for setting bits related to the voltage monitor 1 interrupt and voltage monitor 1 reset so that voltage monitor operates

| Step | Voltage monitor 1 interrupt (Voltage monitor 1 ELC event output) | Voltage monitor 1 reset |
|--------------------------------------------------|---------------------------------------------------------------------|--------------------------------------------------------------------------------------------------------------------------------------------------------------------------------------------------------------------------------------------------------|
| Setting the voltage detection 1 circuit | 1 | Set LVCMPCR.LVD1E = 0 to disable voltage detection 1 before writing to the LVDLVLR register. |
| | 2 | Select the detection voltage by setting the LVDLVLR.LVD1LVL[3:0] bits. |
| | 3 | Set LVCMPCR.LVD1E = 1 to enable the voltage detection 1 circuit. |
| | 4 | Wait for at least $t_{d(E-A)}$ for the LVD operation stabilization time after LVD is enabled.*1 |
| Setting the voltage monitor 1 interrupt or reset | 5 | Set LVD1CR0.RI = 0 to select the voltage monitor 1 interrupt. <ul style="list-style-type: none"> • Set LVD1CR0.RI = 1 to select the voltage monitor 1 reset • Select the type of reset negation by setting the LVD1CR0.RN bit. |
| | 6 | <ul style="list-style-type: none"> • Select the timing of interrupt requests by setting the LVD1CR1.IDTSEL[1:0] bits • Select the type of interrupt by setting the LVD1CR1.IRQSEL bit. - |
| Enabling output | 7 | Set LVD1SR.DET = 0. |
| | 8 | Set LVD1CR0.RIE = 1 to enable the voltage monitor 1 interrupt or reset.*2 |
| | 9 | Set LVD1CR0.CMPE = 1 to enable output of the comparison results from voltage monitor 1. |

Note 1. Steps 5 to 8 can be performed during the waiting time of step 4. For details on $t_{d(E-A)}$, see [section 48, Electrical Characteristics](#).

Note 2. Step 8 is not required if only the ELC event signal is to be output.

Table 7.5 Procedures for setting bits related to the voltage monitor 1 interrupt and voltage monitor 1 reset so that voltage monitor stops

| Step | Voltage monitor 1 interrupt (voltage monitor 1 ELC event output), voltage monitor 1 reset | |
|------------------------------------------|-------------------------------------------------------------------------------------------|------------------------------------------------------------------------------------------|
| Stopping the enabling of output | 1 | Set LVD1CR0.CMPE = 0 to disable output of the comparison results from voltage monitor 1. |
| | 2 | Set LVD1CR0.RIE = 0 to disable the voltage monitor 1 interrupt or reset.*1 |
| Stopping the voltage detection 1 circuit | 3 | Set LVCMPCR.LVD1E = 0 to disable the voltage detection 1 circuit. |

Note 1. Step 2 is not required if only the ELC event signal is to be output.

If the voltage monitor 1 interrupt or voltage monitor 1 reset setting is to be made again after it is used and stopped once, omit the following steps in the procedures for stopping and setting, depending on the conditions:

- Setting or stopping the voltage detection 1 circuit is not required if the settings for the voltage detection 1 circuit do not change.
- Setting the voltage monitor 1 interrupt or reset is not required if the settings for the voltage monitor 1 interrupt or voltage monitor 1 reset do not change.

Figure 7.5 shows an example of the voltage monitor 1 interrupt operation.

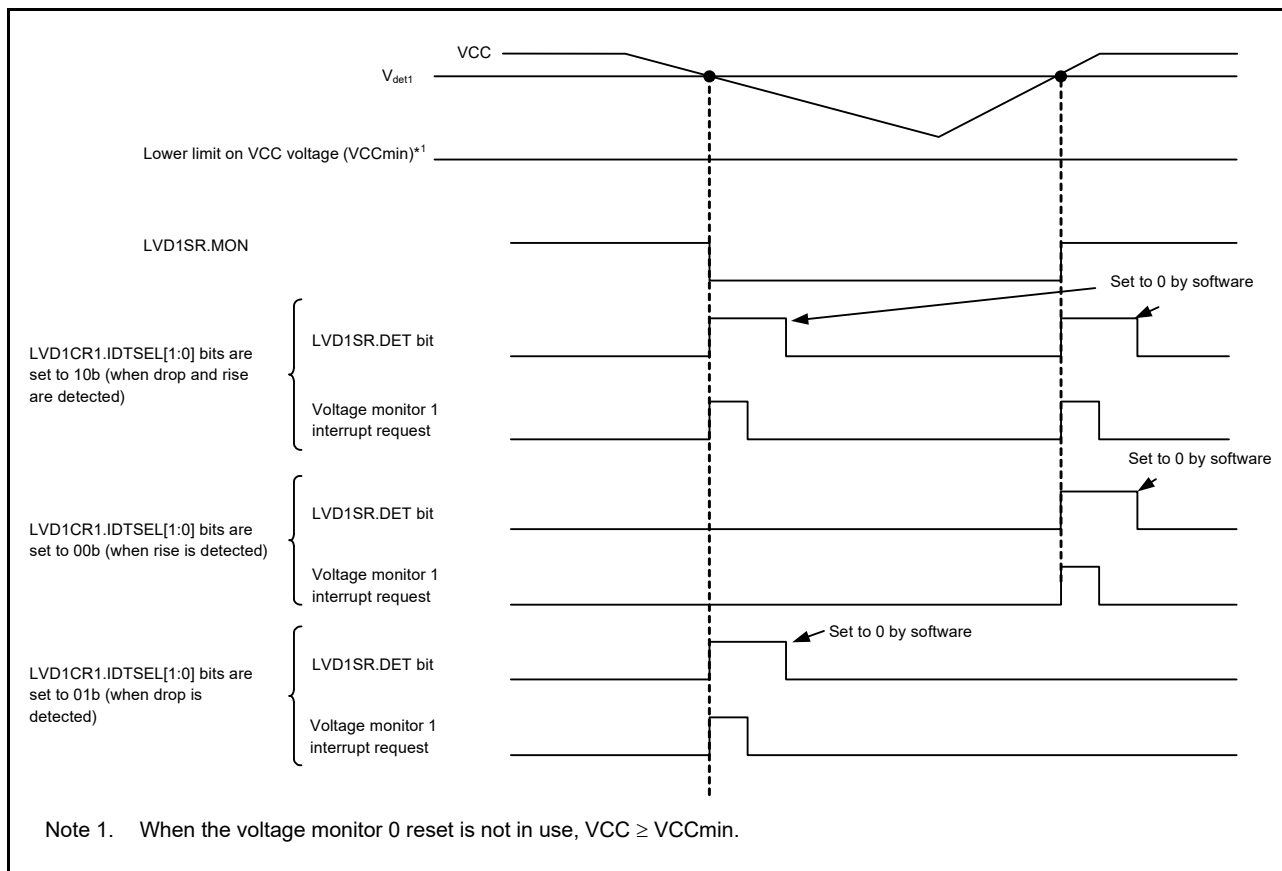


Figure 7.5 Voltage monitor 1 interrupt operation example

7.6 Interrupt and Reset from Voltage Monitor 2

An interrupt or reset can be generated in response to the comparison results from the voltage monitor 2 circuit.

Table 7.6 shows the procedures for setting bits related to the voltage monitor 2 interrupt and voltage monitor 2 reset so that voltage monitor operates. Table 7.7 shows the procedure for setting bits related to the voltage monitor 2 interrupt and voltage monitor 2 reset so that voltage monitor stops. Figure 7.6 shows an example of operation of the voltage monitor 2 interrupt. For the operation of the voltage monitor 2 reset, see Figure 5.2 in section 5, Resets.

When using the voltage monitor 2 circuit in Software Standby, set up the circuit using the following procedures.

(1) Setting in Software Standby mode

- When $VCC > V_{det1}$ is detected, clear the LVD2CR0.RN bit (LVD2CR0.RN = 0) following a stabilization time.

Table 7.6 Procedure for setting bits related to voltage monitor 2 interrupt and voltage monitor 2 reset so that voltage monitor operates (1 of 2)

| Step | Voltage monitor 2 interrupt (voltage monitor 2 ELC event output) | Voltage monitor 2 reset |
|-----------------------------------------|------------------------------------------------------------------|-----------------------------------------------------------------------------------------------|
| Setting the voltage detection 2 circuit | 1 | Set LVCMPPCR.LVD2E = 0 to disable voltage detection 2 before writing to the LVDLVLR register. |
| | 2 | Select the detection voltage in the LVDLVLR.LVD2LVL[2:0] bits. |
| | 3 | Set LVCMPPCR.LVD2E = 1 to enable the voltage detection 2 circuit. |
| | 4 | Wait for at least $t_{d(E-A)}$ for the LVD operation stabilization after LVD is enabled.*1 |

Table 7.6 Procedure for setting bits related to voltage monitor 2 interrupt and voltage monitor 2 reset so that voltage monitor operates (2 of 2)

| Step | | Voltage monitor 2 interrupt (voltage monitor 2 ELC event output) | Voltage monitor 2 reset |
|--------------------------------------------------|---|------------------------------------------------------------------------------------------------------------------------------------------------------------------------------------------------------------|------------------------------------------------------------------------------------------------------------------------------------------------------------------------------------------|
| Setting the voltage monitor 2 interrupt or reset | 5 | Set LVD2CR0.RI = 0 to select the voltage monitor 2 interrupt. | <ul style="list-style-type: none"> Set LVD2CR0.RI = 1 to select the voltage monitor 2 reset Select the type of the reset negation by setting the LVD2CR0.RN bit. |
| | 6 | <ul style="list-style-type: none"> Select the timing of interrupt requests by setting the LVD2CR1.IDTSEL[1:0] bits Select the type of interrupt by setting the LVD2CR1.IRQSEL bit. | - |
| Enabling output | 7 | Set LVD2SR.DET = 0. | |
| | 8 | Set LVD2CR0.RIE = 1 to enable the voltage monitor 2 interrupt or reset.*2 | |
| | 9 | Set LVD2CR0.CMPE = 1 to enable output of the comparison results from voltage monitor 2. | |

Note 1. Steps 5 to 8 can be performed during the waiting time of step 4. For details on $t_{d(E-A)}$, see [section 48, Electrical Characteristics](#).

Note 2. Step 8 is not required if only the ELC event signal is to be output.

Table 7.7 Procedure for setting bits related to voltage monitor 2 interrupt and voltage monitor 2 reset so that voltage monitor stops

| Step | | Voltage monitor 2 interrupt (voltage monitor 2 ELC event output), voltage monitor 2 reset |
|------------------------------------------|---|-------------------------------------------------------------------------------------------|
| Settings to stop enabling of output | 1 | Set LVD2CR0.CMPE = 0 to disable output of the comparison results from voltage monitor 2. |
| | 2 | Set LVD2CR0.RIE = 0 to disable the voltage monitor 2 interrupt or reset.*1 |
| Stopping the voltage detection 1 circuit | 3 | Set LVCMPCR.LVD2E = 0 to disable the voltage detection 2 circuit. |

Note 1. Step 2 is not required if only the ELC event signal is to be output.

If the voltage monitor 2 interrupt or reset setting is to be made again after it is used and stopped once, omit the following steps in the procedures for stopping and setting, depending on the conditions:

- Setting or stopping the voltage detection 2 circuit is not required if the settings for the voltage detection 2 circuit do not change
- Setting the voltage monitor 2 interrupt or reset is not required if the settings do not change.

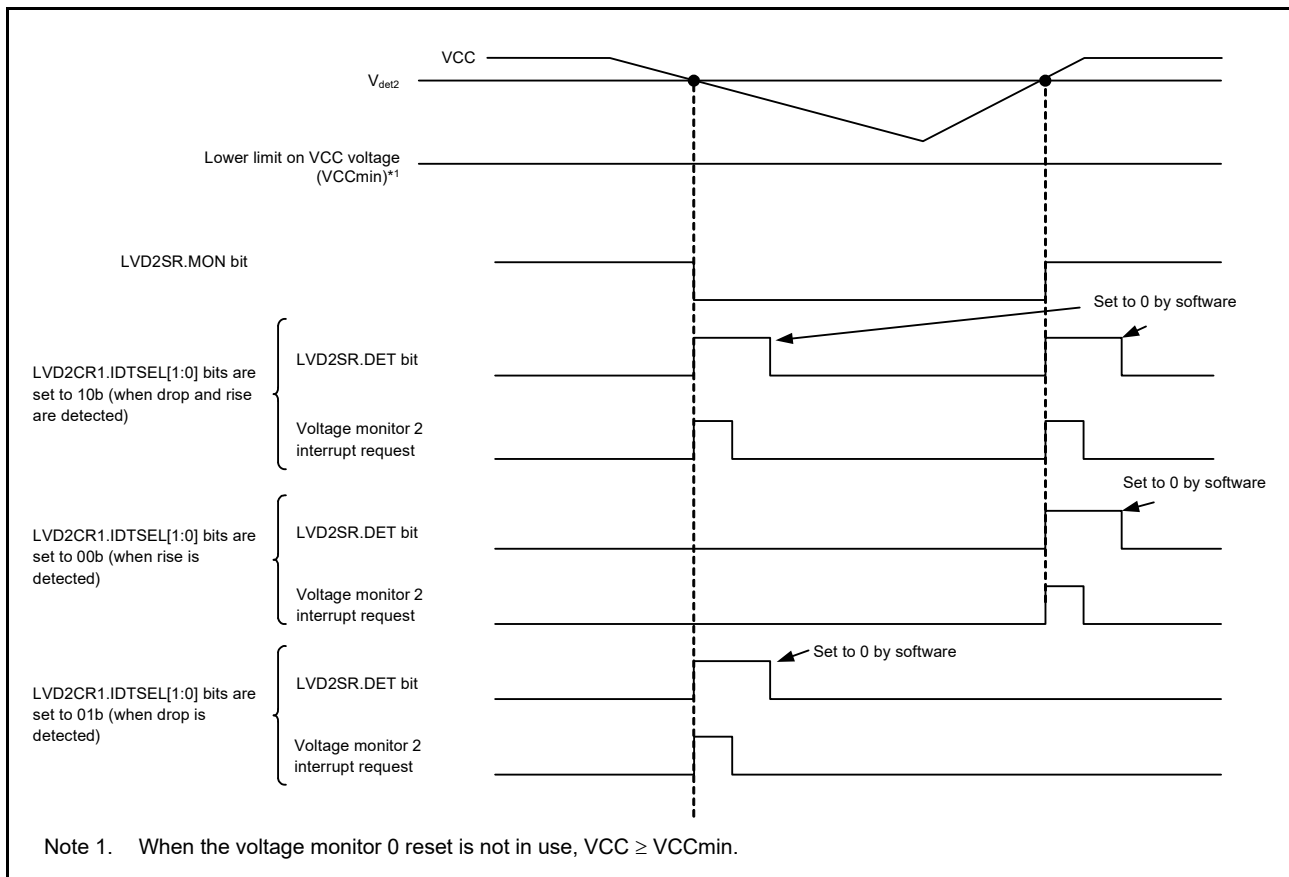


Figure 7.6 Voltage monitor 2 interrupt operation example

7.7 Event Link Output

The LVD can output the event signals to the Event Link Controller (ELC).

(1) V_{det1} Crossing Detection Event

The LVD outputs the event signal when it detects that the voltage has passed the V_{det1} voltage while both the voltage detection 1 circuit and the voltage monitor 1 circuit comparison result output are enabled.

(2) V_{det2} Crossing Detection Event

The LVD outputs the event signal when it detects that the voltage has passed the V_{det2} voltage while both the voltage detection 2 circuit and the voltage monitor 2 circuit comparison result output are enabled.

When enabling the event link output function of the LVD, you must enable the LVD before enabling the LVD event link function of the ELC. To stop the event link output function of the LVD, you must stop the LVD before disabling the LVD event link function of the ELC.

7.7.1 Interrupt Handling and Event Linking

The LVD provides bits to individually enable or disable the voltage monitor 1 and 2 interrupts. When an interrupt source is generated and the interrupt is enabled by the interrupt enable bit, the interrupt signal (LVD1CR0.RIE and LVD2CR0.RIE) is output to the CPU.

In contrast, as soon as an interrupt source is generated, the event link signal is output as the event signal to the other module through the ELC, regardless of the state of the interrupt enable bit.

It is possible to output voltage monitor 1 and 2 interrupts in Software Standby mode. The event signals for the ELC in Software Standby mode are output as follows:

- When a V_{det1} or V_{det2} passage event is detected in Software Standby mode, event signals are not generated for the

ELC because the clock is not supplied in Software Standby mode. Because the V_{det1} and V_{det2} passage detection flags are saved, when the clock supply resumes after returning from Software Standby mode, the event signals for the ELC are output based on the state of the V_{det1} or V_{det2} detection flags.

8. Clock Generation Circuit

8.1 Overview

The MCU incorporates a clock generation circuit.

Table 8.1 and Table 8.2 list the clock generation circuit specifications, Figure 8.1 shows the block diagram, and Table 8.3 lists the I/O pins.

Table 8.1 Clock generation circuit specifications for the clock sources

| Clock source | Description | Specification |
|----------------------------------------------|----------------------------------------------------------------------|------------------------------------------------------------------------------------------------------------------------|
| Main clock oscillator (MOSC) | Resonator frequency | <ul style="list-style-type: none"> 1 MHz to 20 MHz (up to 5.5 V) 1 MHz to 8 MHz (up to 2.4 V). |
| | External clock input frequency | Up to 20 MHz |
| | External resonator or additional circuit: ceramic resonator, crystal | Available |
| | Connection pins: EXTAL, XTAL | |
| | Drive capability switching | |
| | Oscillation stop detection function | |
| Sub-clock oscillator (SOSC) | Resonator frequency | 32.768 kHz |
| | External resonator or additional circuit: crystal resonator | Available |
| | Connection pins: XCIN, XCOU | |
| | Drive capability switching | |
| PLL circuit | Input clock source | MOSC |
| | Input frequency | 4 MHz to 12.5 MHz |
| | Frequency multiplication ratio | Selectable from 8 to 31 (1 step) |
| | Output pulse frequency division ratio | Selectable from 2 and 4 |
| | PLL output frequency | 24 MHz to 64 MHz (output frequency division ratio: 2) 24 MHz to 32 MHz (output frequency division ratio: 4) |
| High-speed on-chip oscillator (HOCO) | Oscillation frequency | 24/32/48/64 MHz |
| | User trimming | Available |
| Middle-speed on-chip oscillator (MOCO) | Oscillation frequency | 8 MHz |
| | User trimming | Available |
| Low-speed on-chip oscillator (LOCO) | Oscillation frequency | 32.768 kHz |
| | User trimming | Available |
| IWDI-dedicated on-chip oscillator (IWDILOCO) | Oscillation frequency | 15 kHz |
| | User trimming | Not available |
| External clock input for JTAG (TCK) | Input clock frequency | Up to 12.5 MHz |
| External clock input for SWD (SWCLK) | Input clock frequency | Up to 12.5 MHz |

Table 8.2 Clock generation circuit specifications for the internal clocks

| Clock | Clock source | Clock supply | Specification |
|-----------------------------------|------------------------------|-------------------------------------------------------------------------------------------------------------------------------------------|-----------------------------------------------------------------------------------|
| System clock (ICLK) | MOSC/SOSC/HOCO/MOCO/LOCO/PLL | CPU, DTC, DMAC, Flash, SRAM | Up to 48 MHz Division ratios: 1/2/4/8/16/32/64 |
| Peripheral module clock A (PCLKA) | MOSC/SOSC/HOCO/MOCO/LOCO/PLL | Peripheral module (SPI, SCI, SCE5, CRC, GPT bus-clock) | Up to 48 MHz Division ratios: 1/2/4/8/16/32/64 |
| Peripheral module clock B (PCLKB) | MOSC/SOSC/HOCO/MOCO/LOCO/PLL | Peripheral module (DAC12, IIC, SSIE, DOC, CAC, CAN, AGT, POEG, CTSU, ELC, I/O Ports, RTC, WDT, IWDT, ADC14, KINT, USBFS, ACMLP and SLCDC) | Up to 32 MHz Division ratios: 1/2/4/8/16/32/64 |
| Peripheral module clock C (PCLKC) | MOSC/SOSC/HOCO/MOCO/LOCO/PLL | Peripheral module (ADC14 conversion clock) | Up to 64 MHz Division ratios: 1/2/4/8/16/32/64 |
| Peripheral module clock D (PCLKD) | MOSC/SOSC/HOCO/MOCO/LOCO/PLL | Peripheral module (GPT count clock) | Up to 64 MHz Division ratios: 1/2/4/8/16/32/64 |
| Flash interface clock (FCLK) | MOSC/SOSC/HOCO/MOCO/LOCO/PLL | Flash interface | 1 MHz to 32 MHz (P/E) Up to 32 MHz (Read) Division ratios: 1/2/4/8/16/32/64 |
| USB clock (UCLK) | HOCO*1/PLL | USBFS | 48 MHz |
| CAN clock (CANMCLK) | MOSC | CAN | 1 MHz to 20 MHz |
| Segment LCD clock (LCDSRCCLK) | MOSC/SOSC/HOCO/MOCO/LOCO | SLCDC | Up to 64 MHz |
| AGT clock (AGTSCLK/AGTLCLK) | SOSC/LOCO | AGT | 32.768 kHz |
| CAC main clock (CACMCLK) | MOSC | CAC | Up to 20 MHz |
| CAC sub-clock (CACSKL) | SOSC | CAC | 32.768 kHz |
| CAC LOCO clock (CACLCLK) | LOCO | CAC | 32.768 kHz |
| CAC MOCO clock (CACMOCLK) | MOCO | CAC | 8 MHz |
| CAC HOCO clock (CACHCLK) | HOCO | CAC | 24/32/48/64 MHz |
| CAC IWDTLOCO clock (CACILCLK) | IWDTLOCO | CAC | 15 kHz |
| RTC clock (RTCSCLK/RTCLCLK) | SOSC/LOCO | RTC | 32.768 kHz |
| IWDT clock (IWDTCLK) | IWDTLOCO | IWDT | 15 kHz |
| SysTick timer clock (SYSTICCLK) | LOCO | SysTick Timer | 32.768 kHz |
| JTAG clock (JTAGTCK) | TCK pin | JTAG | Up to 12.5 MHz |
| Clock/buzzer output (CLKOUT) | MOSC/SOSC/LOCO/MOCO/HOCO | CLKOUT pin | Up to 16 MHz Division ratios: 1/2/4/8/16/32/64/128 |
| Serial wire clock (SWCLK) | SWCLK pin | OCD | Up to 12.5 MHz |
| Trace clock (TRCLK) | MOSC/SOSC/HOCO/MOCO/LOCO/PLL | CPU-OCD | Up to 48 MHz Division ratios: 1/2/4 |

Note: Restrictions on setting the clock frequency: $ICLK \geq PCLKA \geq PCLKB$, $PCLKD \geq PCLKA \geq PCLKB$, $ICLK \geq FCLKA$

Restrictions on the clock frequency ratio: (N: integer, and up to 64)

$ICLK:FCLK = N:1$, $ICLK:PCLKA = N:1$, $ICLK:PCLKB = N:1$

$ICLK:PCLKC = N:1$ or $1:N$, $ICLK:PCLKD = N:1$ or $1:N$

$PCLKB:PCLKC = 1:1$ or $1:2$ or $1:4$ or $2:1$ or $4:1$ or $8:1$

Note: The minimum FCLK frequency is 1 MHz in Programming/Erase (P/E) mode.

Note 1. Only when USBFS is used as the device controller.

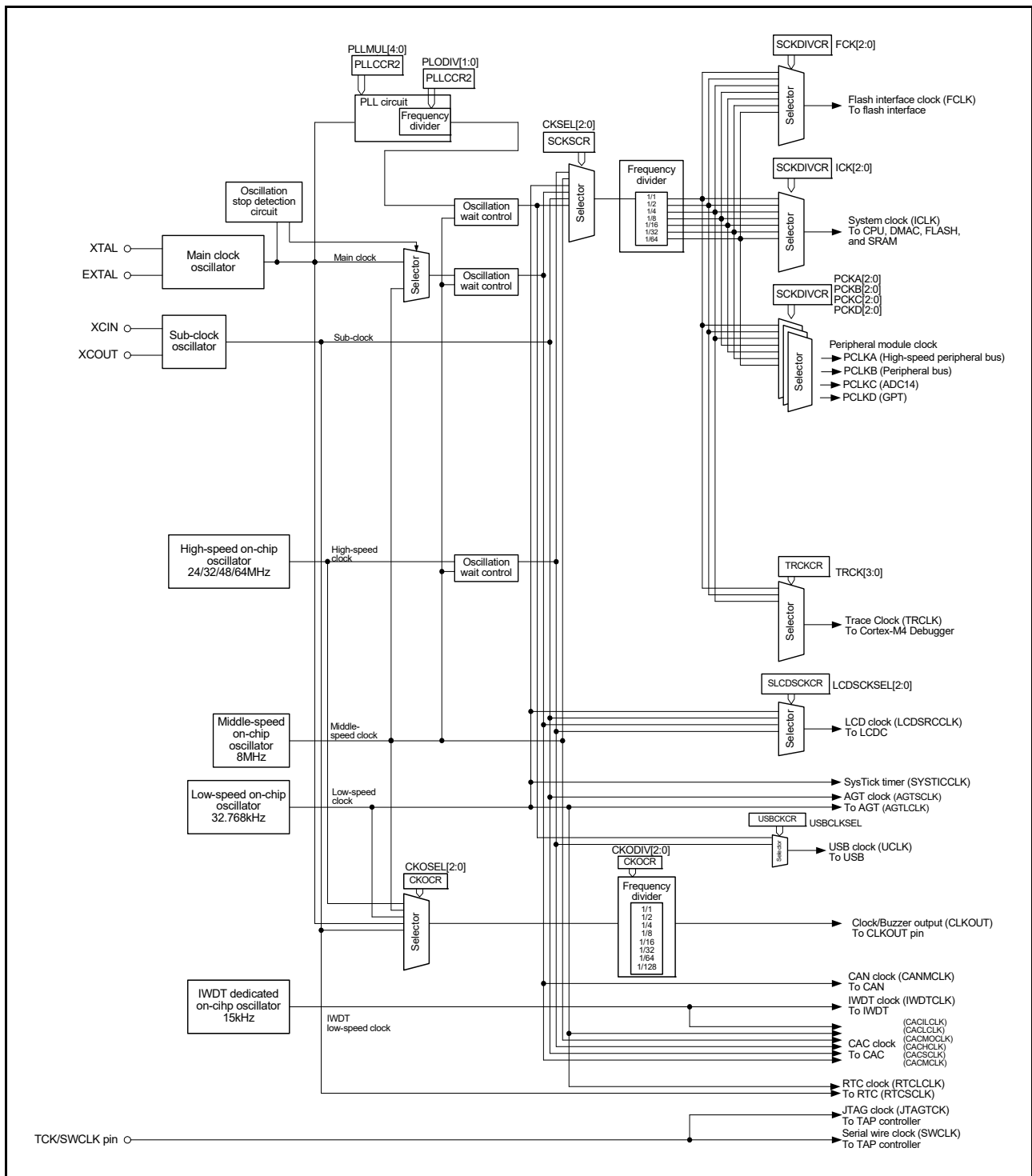


Figure 8.1 Clock generation circuit block diagram

Table 8.3 lists the input and output pins of the clock generation circuit.

Table 8.3 Clock generation circuit input/output pins (1 of 2)

| Pin name | I/O | Description |
|----------|--------|-----------------------------------------------------------------------------------------------------------------------------------------------------------------------------------|
| XTAL | Output | These pins are used to connect a crystal resonator. The EXTAL pin can also be used to input an external clock. For details, section 8.3.2, External Clock Input . |
| EXTAL | Input | |

Table 8.3 Clock generation circuit input/output pins (2 of 2)

| Pin name | I/O | Description |
|-----------|--------|---------------------------------------------------------------|
| XCIN | Input | These pins are used to connect a 32.768-kHz crystal resonator |
| XCOU | Output | |
| TCK/SWCLK | Input | This pin is used to input the clock for the JTAG |
| CLKOUT | Output | This pin is used to output the CLKOUT/BUZZER clock |

8.2 Register Descriptions

8.2.1 System Clock Division Control Register (SCKDIVCR)

Address(es): SYSTEM.SCKDIVCR 4001 E020h

| | b31 | b30 | b29 | b28 | b27 | b26 | b25 | b24 | b23 | b22 | b21 | b20 | b19 | b18 | b17 | b16 |
|--------------------|-----|-----------|-----|-----|-----|-----------|-----|-----|-----|-----------|-----|-----|-----|-----------|-----|-----|
| | — | FCK[2:0] | | | — | ICK[2:0] | | | — | — | — | — | — | — | — | — |
| Value after reset: | 0 | 1 | 0 | 0 | 0 | 1 | 0 | 0 | 0 | 0 | 0 | 0 | 0 | 1 | 0 | 0 |
| | b15 | b14 | b13 | b12 | b11 | b10 | b9 | b8 | b7 | b6 | b5 | b4 | b3 | b2 | b1 | b0 |
| | — | PCKA[2:0] | | | — | PCKB[2:0] | | | — | PCKC[2:0] | | | — | PCKD[2:0] | | |
| Value after reset: | 0 | 1 | 0 | 0 | 0 | 1 | 0 | 0 | 0 | 1 | 0 | 0 | 0 | 1 | 0 | 0 |

| Bit | Symbol | Bit name | Description | R/W |
|-----------|-----------|--------------------------------------------|-------------------------------------------------------------------------------------------------------------------------------------------------------|-----|
| b2 to b0 | PCKD[2:0] | Peripheral Module Clock D (PCLKD) Select*3 | b2 b0 0 0 0: ×1/1 0 0 1: ×1/2 0 1 0: ×1/4 0 1 1: ×1/8 1 0 0: ×1/16 1 0 1: ×1/32 1 1 0: ×1/64. Other settings are prohibited. | R/W |
| b3 | — | Reserved | This bit is read as 0. The write value should be 0. | R/W |
| b6 to b4 | PCKC[2:0] | Peripheral Module Clock C (PCLKC) Select*3 | b6 b4 0 0 0: ×1/1 0 0 1: ×1/2 0 1 0: ×1/4 0 1 1: ×1/8 1 0 0: ×1/16 1 0 1: ×1/32 1 1 0: ×1/64. Other settings are prohibited. | R/W |
| b7 | — | Reserved | This bit is read as 0. The write value should be 0. | R/W |
| b10 to b8 | PCKB[2:0] | Peripheral Module Clock B (PCLKB) Select*2 | b10 b8 0 0 0: ×1/1 0 0 1: ×1/2 0 1 0: ×1/4 0 1 1: ×1/8 1 0 0: ×1/16 1 0 1: ×1/32 1 1 0: ×1/64. Other settings are prohibited. | R/W |
| b11 | — | Reserved | This bit is read as 0. The write value should be 0. | R/W |

| Bit | Symbol | Bit name | Description | R/W |
|------------|---------------------------|----------------------------------------------|--------------------------------------------------------------------------------------------------------------------------------------------------------|-----|
| b14 to b12 | PCKA[2:0] | Peripheral Module Clock A (PCLKA) Select*2 | b14 b12 0 0 0: ×1/1 0 0 1: ×1/2 0 1 0: ×1/4 0 1 1: ×1/8 1 0 0: ×1/16 1 0 1: ×1/32 1 1 0: ×1/64. Other settings are prohibited. | R/W |
| b15 | — | Reserved | This bit is read as 0. The write value should be 0. | R/W |
| b18 to b16 | — | Reserved | These bits should be written the same as PCKB[2:0] | R/W |
| b23 to b19 | — | Reserved | These bits are read as 0. The write value should be 0. | R/W |
| b26 to b24 | ICK[2:0] | System Clock (ICKLK) Select *1,*2, *3, *4 | b26 b24 0 0 0: ×1/1 0 0 1: ×1/2 0 1 0: ×1/4 0 1 1: ×1/8 1 0 0: ×1/16 1 0 1: ×1/32 1 1 0: ×1/64. Other settings are prohibited. | R/W |
| b27 | — | Reserved | This bit is read as 0. The write value should be 0. | R/W |
| b30 to b28 | FCK[2:0] | Flash Interface Clock (FCLK) Select*1 | b30 b28 0 0 0: ×1/1 0 0 1: ×1/2 0 1 0: ×1/4 0 1 1: ×1/8 1 0 0: ×1/16 1 0 1: ×1/32 1 1 0: ×1/64. Other settings are prohibited. | R/W |
| b31 | — | Reserved | This bit is read as 0. The write value should be 0. | R/W |

Note 1. The following association is required between the frequencies of the system clock (ICKLK) and the flash interface clock (FCLK).
ICKLK:FCLK = N:1 (N: integer)

If a setting is made where ICKLK < FCLK, then that setting is ignored.

Note 2. The following association is required between the frequencies of the system clock (ICKLK) and the peripheral module clocks (PCLKA, PCLKB) ICKLK:PCLKA = N:1, ICKLK:PCLKB = N:1 (N: integer)

If a setting is made where ICKLK < PCLKA or ICKLK < PCLKB, then that setting is ignored.

Note 3. The following association is required between the frequencies of the system clock (ICKLK) and the peripheral module clocks (PCLKC, PCLKD) ICKLK:PCLKC, PCLKD = N:1 or 1:N (N: integer)

Note 4. Selecting division by 1 to ICKLK is prohibited when SCKSCR.CKSEL[2:0] bits select the system clock source that is faster than 32 MHz and MEMWAIT.MEMWAIT = 0.

The SCKDIVCR register selects the frequencies of the system clock (ICKLK), peripheral module clock (PCLKA, PCLKB, PCLKC, PCLKD), and the flash interface clock (FCLK).

[PCKD\[2:0\] bits \(Peripheral Module Clock D \(PCLKD\) Select\)](#)

The PCKD[2:0] bits select the frequency of peripheral module clock D (PCLKD).

[PCKC\[2:0\] bits \(Peripheral Module Clock C \(PCLKC\) Select\)](#)

The PCKC[2:0] bits select the frequency of peripheral module clock C (PCLKC).

[PCKB\[2:0\] bits \(Peripheral Module Clock B \(PCLKB\) Select\)](#)

The PCKB[2:0] bits select the frequency of peripheral module clock B (PCLKB).

[PCKA\[2:0\] bits \(Peripheral Module Clock A \(PCLKA\) Select\)](#)

The PCKA[2:0] bits select the frequency of peripheral module clock A (PCLKA).

[ICK\[2:0\] bits \(System Clock \(ICKLK\) Select\)](#)

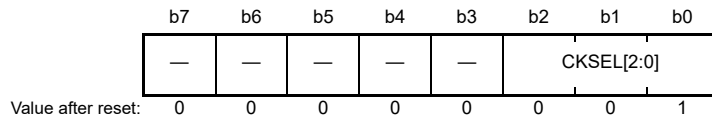
The ICK[2:0] bits select the frequency of the system clock for the CPU, DMAC, and DTC.

FCK[2:0] bits (Flash Interface Clock (FCLK) Select)

The FCK[2:0] bits select the frequency of the flash interface clock (FCLK).

8.2.2 System Clock Source Control Register (SCKSCR)

Address(es): SYSTEM.SCKSCR 4001 E026h



| Bit | Symbol | Bit name | Description | R/W |
|----------|------------|-----------------------|----------------------------------------------------------------------------------------------------------------------------------------------------------------------------------|-----|
| b2 to b0 | CKSEL[2:0] | Clock Source Select*1 | b2 b0 0 0 0: HOCO 0 0 1: MOCO 0 1 0: LOCO 0 1 1: Main clock oscillator (MOSC) 1 0 0: Sub-clock oscillator (SOSC) 1 0 1: PLL. Other settings are prohibited. | R/W |
| b7 to b3 | — | Reserved | These bits are read as 0. The write value should be 0. | R/W |

Note 1. Selecting a system clock source that is faster than 32 MHz (system clock source > 32 MHz) is prohibited when the SCKDIVCR.ICK[2:0] bits select division by 1 and MEMWAIT.MEMWAIT = 0.

The SCKSCR register selects the clock source for the system clock.

CKSEL[2:0] bits (Clock Source Select)

The CKSEL[2:0] bits select the clock source for the following modules:

- System clock (ICLK)
- Peripheral module clocks (PCLKA, PCLKB, PCLKC, and PCLKD)
- Flash interface clock (FCLK).

The bits select from one of the following sources:

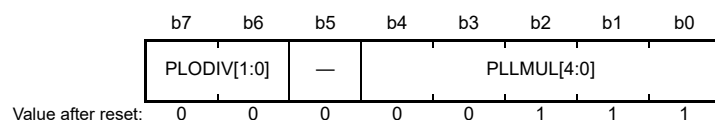
- Low-speed on-chip oscillator (LOCO)
- Middle-speed on-chip oscillator (MOCO)
- High-speed on-chip oscillator (HOCO)
- Main clock oscillator (MOSC)
- Sub-clock oscillator (SOSC)
- PLL circuit.

The clock sources should be switched when there are no occurring internal asynchronous interrupt.

Transitions to clock sources that are not in operation are prohibited.

8.2.3 PLL Clock Control Register 2 (PLLCCR2)

Address(es): SYSTEM.PLLCCR2 4001 E02Bh



| Bit | Symbol | Bit name | Description | R/W |
|----------|-------------|----------------------------------------------|---------------------------------------------------------------------------------------------------------------------------------------------------|-----|
| b4 to b0 | PLLMUL[4:0] | PLL Frequency Multiplication Factor Select*1 | b4 b0 0 0 1 1 1: × 8 0 1 0 0 0: × 9 0 1 0 0 1: × 10 ... 1 1 1 0 1: × 30 1 1 1 1 0: × 31. Other settings are prohibited. | R/W |
| b5 | — | Reserved | This bit is read as 0. The write value should be 0. | R/W |
| b7, b6 | PLODIV[1:0] | PLL Output Frequency Division Ratio Select*1 | b7 b6 0 0: Reserved 0 1: /2 1 0: /4. Other settings are prohibited. | R/W |

Note 1. PLLMUL[4:0] and PLODIV[1:0] must be set so that the frequency of the PLL output signal is within the range shown in Table 8.1.

The PLLCCR2 register sets the operation of the PLL circuit. Writing to the PLLCCR2 is prohibited when the PLLCR.PLLSTP bit is 0, that is, when the PLL is operating.

PLLMUL[4:0] bits (PLL Frequency Multiplication Factor Select)

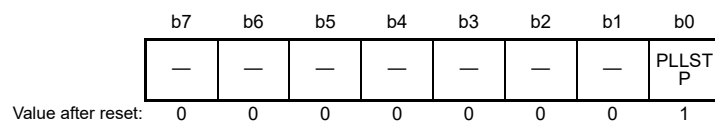
The PLLMUL[4:0] bits select the frequency multiplication factor of the PLL circuit.

PLODIV[1:0] bits (PLL Output Frequency Division Ratio Select)

The PLODIV[1:0] bits select the frequency division ratio of the PLL output.

8.2.4 PLL Control Register (PLLCR)

Address(es): SYSTEM.PLLCR 4001 E02Ah



| Bit | Symbol | Bit name | Description | R/W |
|----------|--------|------------------|--------------------------------------------------------|-----|
| b0 | PLLSTP | PLL Stop Control | 0: PLL is operating*1 1: PLL is stopped. | R/W |
| b7 to b1 | — | Reserved | These bits are read as 0. The write value should be 0. | R/W |

Note 1. When operating the PLL, VCC must be more than 2.4V ($V_{CC} \geq 2.4V$), and operation power control mode must be set to High-speed mode or Middle-speed mode.

The PLLCR register controls the operation of the PLL circuit.

PLLSTP bit (PLL Stop Control)

The PLLSTP bit runs or stops the PLL circuit.

After setting the PLLSTP bit to make the PLL run, confirm that the OSCSF.PLLSF bit is set to 1 before using the PLL clock. A fixed stabilization wait time is required after setting the PLL to start operation. A fixed wait time for oscillation to stop is also required after stopping the PLL operation.

The following limitations apply when starting and stopping the PLL operation:

- After stopping the PLL, confirm that the OSCSF.PLLSF bit is 0 before restarting the PLL
- Confirm that the PLL operates and that the OSCSF.PLLSF bit is 1 before stopping the PLL
- Regardless of whether the PLL clock is selected as the system clock, after setting the PLL to start operation, confirm that the OSCSF.PLLSF is set to 1 before executing a WFI instruction to place the MCU in Software Standby mode
- When a transition to Software Standby mode is to follow the setting to stop the PLL, confirm that the OSCSF.PLLSF bit is set to 0 before executing the WFI instruction.

Writing 1 to PLLSTP is prohibited under the following condition:

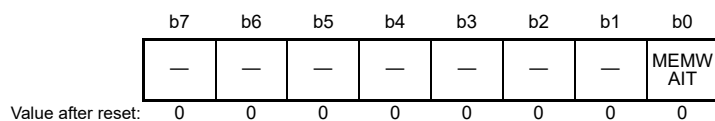
- SCKSCR.CKSEL[2:0] = 101b (system clock source = PLL).

Make sure that the following conditions apply before writing 0 to PLLSTP:

- OSCSF.MOSCSF bit is 1
- At least 4 μ s has elapsed after PLLSTP is set to 1 (PLL is stopped)
- At least 1 μ s has elapsed after the PLLMUL[4:0] bits are set (to select the PLL frequency multiplication).

8.2.5 Memory Wait Cycle Control Register (MEMWAIT)

Address(es): SYSTEM.MEMWAIT 4001 E031h



| Bit | Symbol | Bit name | Description | R/W |
|----------|---------|--------------------------|--------------------------------------------------------|-----|
| b0 | MEMWAIT | Memory Wait Cycle Select | 0: No wait 1: Wait. | R/W |
| b7 to b1 | — | Reserved | These bits are read as 0. The write value should be 0. | R/W |

Note: Writing 0 to the MEMWAIT bit is prohibited when SCKDIVCR.ICK selects division by 1 and SCKSCR.CKSEL[2:0] bits select the system clock source that is faster than 32 MHz (ICLK > 32 MHz).

The MEMWAIT register controls the wait cycle of flash read access.

MEMWAIT bit (Memory Wait Cycle Select)

The MEMWAIT bit selects the wait cycle of flash read access. The wait cycle of flash access is set to no wait (MEMWAIT = 0) after a reset is released.

Before writing to the MEMWAIT bit, check the ICLK frequency and operation power control mode. The following limitations apply when setting the ICLK and operation power control mode, and the MEMWAIT bit:

- When setting the ICLK to faster than 32 MHz (ICLK > 32 MHz), set MEMWAIT to 1 while ICLK is 32 MHz or less (ICLK \leq 32 MHz) and the operation power control mode is High-speed mode (OPCCR.OPCM[1:0] = 00b). Setting MEMWAIT to 1 is prohibited in operation modes other than High-speed mode. Setting the ICLK faster than 32 MHz is prohibited while MEMWAIT = 0.
- When setting the ICLK from 32 MHz or faster (ICLK > 32 MHz) to 32 MHz or less (ICLK \leq 32 MHz), the ICLK frequency must be set to 32 MHz or less while MEMWAIT = 1. Setting MEMWAIT to 0 is prohibited while ICLK is faster than 32 MHz. Setting MEMWAIT to 1 is prohibited in operation modes other than High-speed mode. MEMWAIT can be set to 0 while the ICLK frequency is 32 MHz or less and operation power control mode is High-speed mode (OPCCR.OPCM[1:0] = 00b).

Table 8.4 MEMWAIT bit setting

| MEMWAIT bit | MCU operation power control | | |
|-------------|------------------------------|-----------------|---------------|
| | Mode, except High-speed mode | High-speed mode | |
| | | ICLK ≤ 32 MHz | ICLK > 32 MHz |
| 0 | ✓ | ✓ | × |
| 1 | × | ✓ | ✓ |

✓: Setting is possible.
 ×: Setting is not possible.

Figure 8.2 shows an example flow when setting the ICLK faster than 32 MHz.

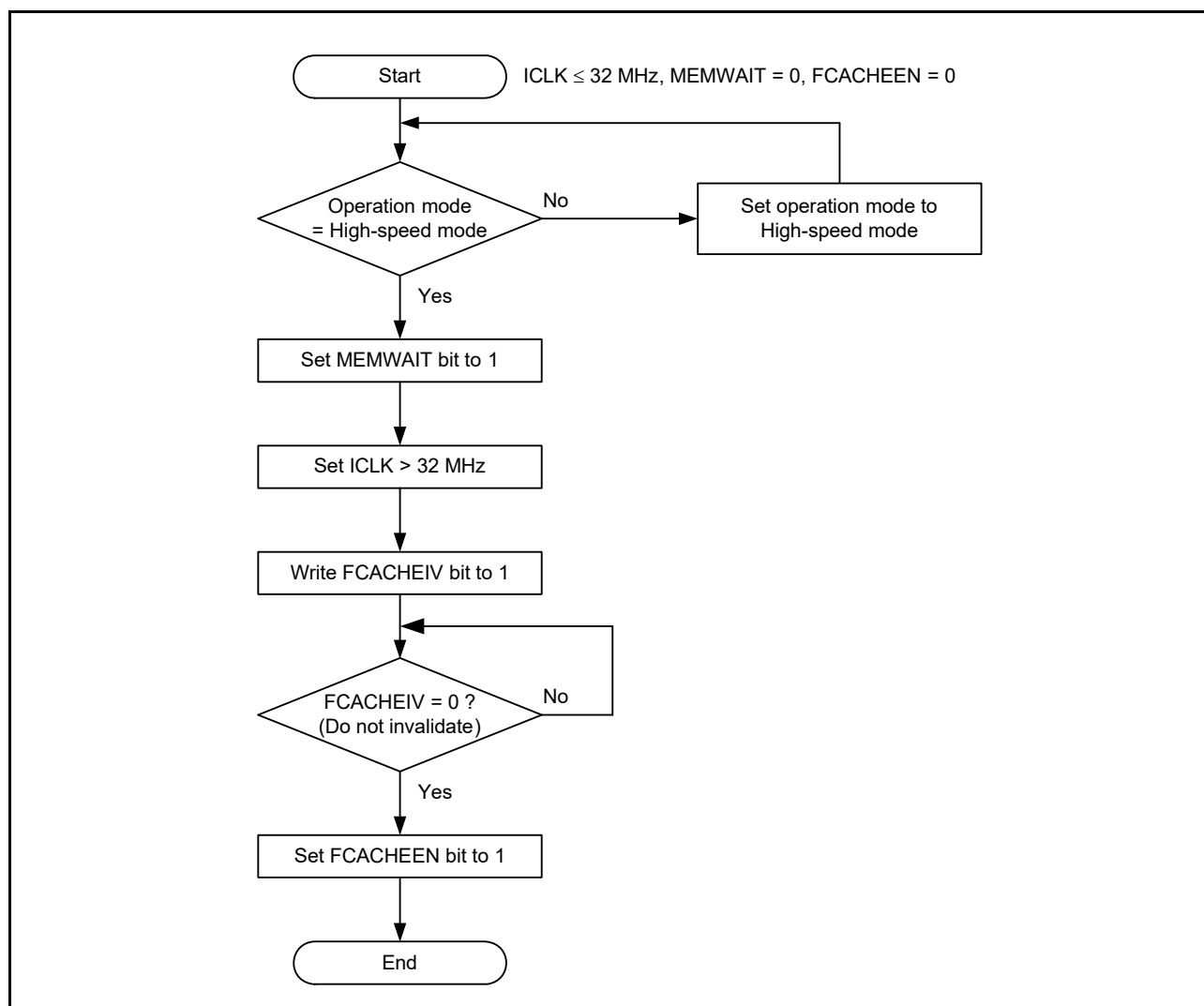


Figure 8.2 When setting the ICLK > 32 MHz

Figure 8.3 shows an example of setting the ICLK to less than or equal to 32 MHz when ICLK is greater than 32 MHz.

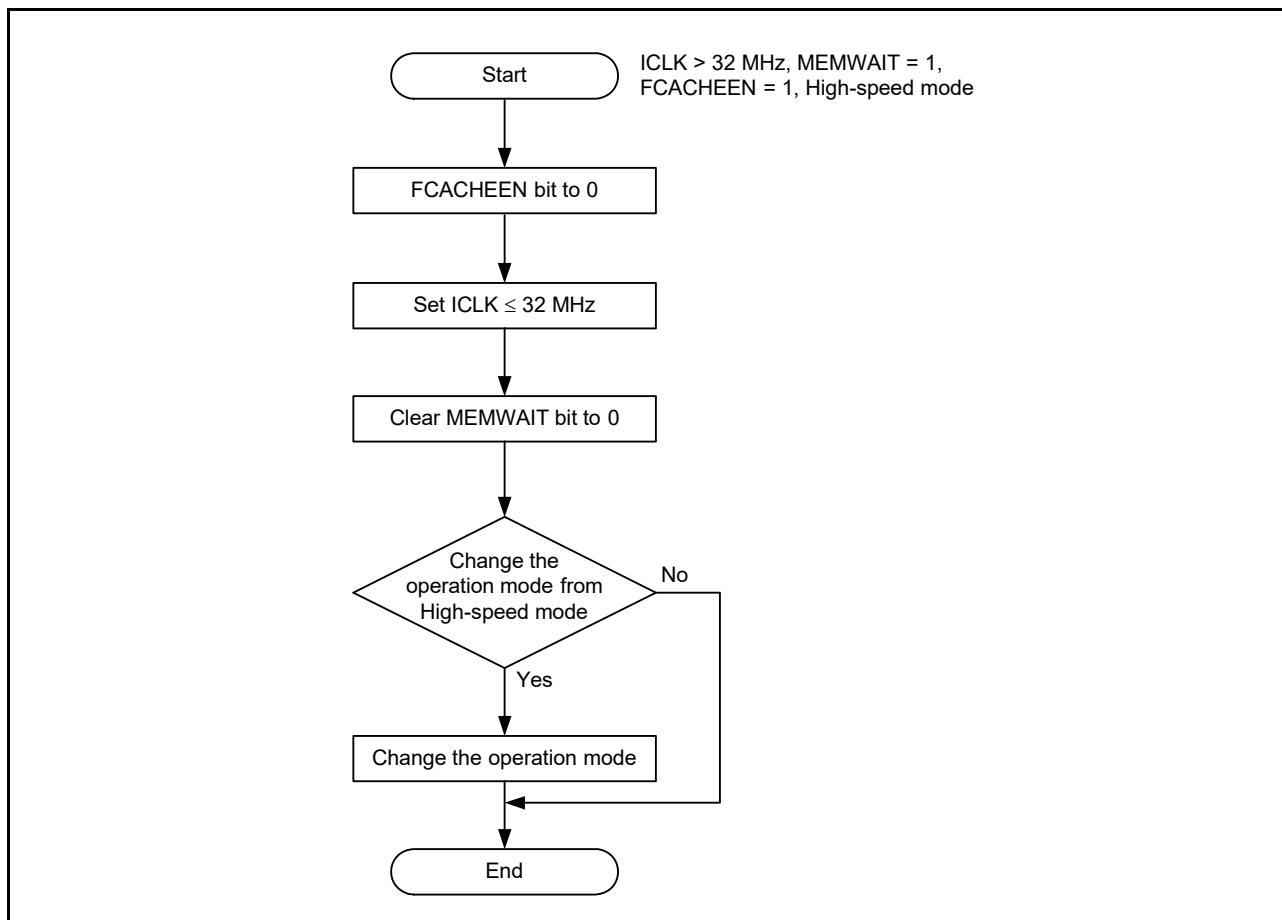
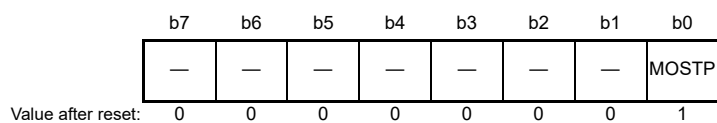


Figure 8.3 When setting the ICLK ≤ 32 MHz when ICLK > 32 MHz

8.2.6 Main Clock Oscillator Control Register (MOSCCR)

Address(es): SYSTEM.MOSCCR 4001 E032h



| Bit | Symbol | Bit name | Description | R/W |
|----------|--------------|----------------------------|---------------------------------------------------------------------------------|-----|
| b0 | MOSTP | Main Clock Oscillator Stop | 0: Main clock oscillator is operating*1 1: Main clock oscillator is stopped. | R/W |
| b7 to b1 | — | Reserved | These bits are read as 0. The write value should be 0. | R/W |

Note 1. MOMCR register must be set before setting MOSTP to 0.

The MOSCCR register controls the main clock oscillator.

MOSTP bit (Main Clock Oscillator Stop)

The MOSTP bit starts or stops the main clock oscillator.

The main clock oscillator can be started by setting the MOSTP bit to operate. When changing the value of the MOSTP bit, execute subsequent instructions only after reading the bit and checking that its value is updated.

When using the main clock, the Main Clock Oscillator Mode Oscillation Control Register (MOMCR) and the Main Clock Oscillator Wait Control Register (MOSCWTCR) must be set before setting MOSTP to 0. When the MOSCCR.MOSTP bit setting is modified for the main clock to run, only use the main clock after confirming that the OSCSF.MOSCSF bit is set to 1.

A fixed time is required for oscillation to become stable after setting the main clock oscillator. A fixed time is also required for oscillation to stop after stopping the main clock.

The following limitations apply when starting and stopping operation:

- After stopping the main clock oscillator, confirm that the OSCSF.MOSCSF bit is 0 before restarting the main clock oscillator
- Confirm that the main clock oscillator operates and that the OSCSF.MOSCSF bit is 1 before stopping the main clock oscillator
- Regardless of whether the main clock oscillator is selected as the system clock, confirm that the OSCSF.MOSCSF bit is set to 1 before executing a WFI instruction to place the MCU in Software Standby mode
- When a transition to Software Standby mode is to follow the setting to stop the main clock oscillator, confirm that the OSCSF.MOSCSF bit is set to 0 before executing the WFI instruction.

Writing 1 to MOSTP is prohibited under the following conditions:

- SCKSCR.CKSEL[2:0] = 011b (system clock source = MOSC)
- SCKSCR.CKSEL[2:0] = 101b (system clock source = PLL)
- PLLCR.PLLSTP = 0 (PLL operates).

8.2.7 Sub-Clock Oscillator Control Register (SOSCCR)

Address(es): SYSTEM.SOSCCR 4001 E480h

| | | | | | | | | |
|--------------------|----|----|----|----|----|----|----|-------|
| | b7 | b6 | b5 | b4 | b3 | b2 | b1 | b0 |
| | — | — | — | — | — | — | — | SOSTP |
| Value after reset: | 0 | 0 | 0 | 0 | 0 | 0 | 0 | 1 |

| Bit | Symbol | Bit name | Description | R/W |
|----------|--------|---------------------------|--------------------------------------------------------------------------------|-----|
| b0 | SOSTP | Sub-Clock Oscillator Stop | 0: Operate the sub-clock oscillator*1, *2 1: Stop the sub-clock oscillator. | R/W |
| b7 to b1 | — | Reserved | These bits are read as 0. The write value should be 0. | R/W |

Note 1. The SOMCR register must be set before setting SOSTP to 0.

Note 2. The VBTCCR1.BPWSWSTP bit must be set before setting the SOSC to operate when the VBATT function is not used. See [section 11, Battery Backup Function](#) for details on the VBTCCR1.BPWSWSTP.

The SOSCCR register controls the sub-clock oscillator.

SOSTP bit (Sub-Clock Oscillator Stop)

The SOSTP bit starts or stops the sub-clock oscillator.

When changing the value of the SOSTP bit, execute subsequent instructions after reading the bit and checking that its value is updated. Use the SOSTP bit when the sub-clock is used as the source for a peripheral module such as the RTC.

When using the sub-clock, set the Sub-Clock Oscillator Mode Control Register (SOMCR) before setting SOSTP to 0. After setting SOSTP to 0, use the sub-clock oscillator only after the sub-clock oscillation stabilization time ($t_{SUBOSCOWT}$) elapses. A fixed stabilization wait time is required for oscillation to become stable after selecting the sub-clock operation with the SOSTP bit. A fixed time is also required for oscillation to stop after setting the SOSTP bit.

The following restrictions apply when starting and stopping operation:

- When restarting the sub-clock oscillator after it stops, allow a period of at least 5 SOSC clock cycles for it to remain stopped

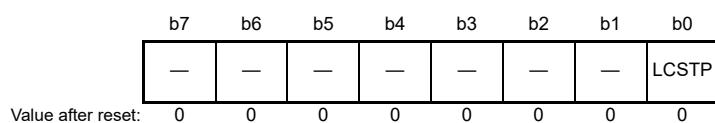
- Confirm that the sub-clock oscillator is stable when stopping the sub-clock oscillator
- Regardless of whether the sub-clock oscillator is selected as the system clock, ensure that the sub-clock oscillator is stable before executing a WFI instruction to place the MCU in Software Standby mode
- When a transition to Software Standby mode is to follow the setting to stop the sub-clock oscillator, wait for at least 3 SOSC clock cycles before executing the WFI instruction.

Writing 1 to SOSTP is prohibited under the following condition:

- SCKSCR.CKSEL[2:0] = 100b (system clock source = SOSC).

8.2.8 Low-Speed On-Chip Oscillator Control Register (LOCOCR)

Address(es): SYSTEM.LOCOCR 4001 E490h



| Bit | Symbol | Bit name | Description | R/W |
|----------|--------|-----------|--------------------------------------------------------|-----|
| b0 | LCSTP | LOCO Stop | 0: Operate the LOCO clock*1 1: Stop the LOCO clock. | R/W |
| b7 to b1 | — | Reserved | These bits are read as 0. The write value should be 0. | R/W |

Note 1. The VBTCCR1.BPWSWSTP bit must be set before setting the LOCO to operate, when VBATT function is not used. See [section 11, Battery Backup Function](#) for details on VBTCCR1.BPWSWSTP.

The LOCOCR register controls the LOCO clock.

LCSTP bit (LOCO Stop)

The LCSTP bit starts or stops the LOCO clock.

After setting the LCSTP bit to start the LOCO clock, only use the clock after the LOCO clock oscillation stabilization waiting time (t_{LOCOWT}) elapses. A fixed stabilization wait time is required after setting the LOCO clock to start operation. A fixed wait time for oscillation to stop is also required.

The following restrictions apply when starting and stopping operation:

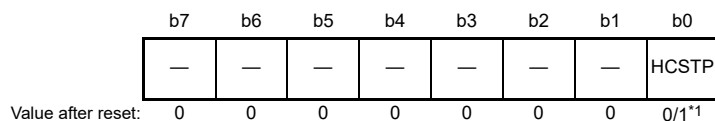
- After stopping the LOCO clock, allow a stop interval of at least 5 LOCO clock cycles before restarting it
- Confirm that LOCO oscillation is stable when stopping the LOCO clock
- Regardless of whether the LOCO clock is selected as the system clock, confirm that LOCO oscillation is stable before executing a WFI instruction to place the MCU in Software Standby mode
- When a transition to Software Standby mode is to follow the setting to stop the LOCO clock, wait for at least 3 LOCO cycles before executing the WFI instruction.

Writing 1 to LOSTP is prohibited under the following condition:

- SCKSCR.CKSEL[2:0] = 010b (system clock source = LOCO).

8.2.9 High-Speed On-Chip Oscillator Control Register (HOCOOCR)

Address(es): SYSTEM.HOCOOCR 4001 E036h



| Bit | Symbol | Bit name | Description | R/W |
|----------|--------|-----------|------------------------------------------------------------|-----|
| b0 | HCSTP | HOCO Stop | 0: Operate the HOCO clock*2, *3 1: Stop the HOCO clock. | R/W |
| b7 to b1 | — | Reserved | These bits are read as 0. The write value should be 0. | R/W |

Note: Writing to OPCCR.OPCM[1:0] is prohibited while HOCOOCR.HCSTP = 0 and OSCSF.HOCOSF = 0 (HOCO is in stabilization wait counting).

Note 1. The HCSTP bit value after a reset is 0 when the OFS1.HOCOEN bit is 0. It is 1 when the OFS1.HOCOEN bit is 1.

Note 2. If the operating frequency of HOCO is 48 MHz, VCC must be more than 1.8 V ($VCC \geq 1.8$ V) when operating the HOCO.

If the operating frequency of HOCO is 64 MHz, VCC must be more than 2.4 V ($VCC \geq 2.4$ V) when operating the HOCO.

Note 3. When using the HOCO (HCSTP = 0), the OFS1.HOCOFREQ1 bit must be set to an optimum value. During low-voltage mode, HOCOOCR.HCSTP must always be 0.

Note: Writing HCSTP is prohibited while OPCCR.OPCMTSF = 1 or SOPCCR.SOPCMTSF = 1 (during transition of operating power control mode) or FLSTOP.CFLSTOPF = 1 (during transition of flash).

The HOCOOCR register controls the HOCO.

HCSTP bit (HOCO Stop)

The HCSTP bit starts or stops the HOCO clock. For the HOCO clock to operate, the High-Speed On-Chip Oscillator Wait Control Register (HOCOWTCR) must also be set.

After setting the HCSTP bit to start the HOCO clock, confirm that the OSCSF.HOCOSF is set to 1 before using the clock. When OFS1.HOCOEN is set to 1, confirm that the OSCSF.HOCOSF bit is also set to 1 before using the HOCO clock. A fixed stabilization wait time is required after setting the HOCO clock to start operation. A fixed wait time for oscillation to stop is also required.

The following limitations apply when starting and stopping operation:

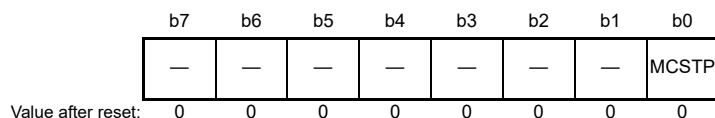
- After stopping the HOCO clock, confirm that the OSCSF.HOCOSF bit is 0 before restarting the HOCO clock
- Confirm that the HOCO clock operates and that the OSCSF.HOCOSF bit is 1 before stopping the HOCO clock
- Regardless of whether the HOCO is selected as the system clock, confirm that the OSCSF.HOCOSF bit is set to 1 before executing a WFI instruction to place the MCU in Software Standby mode
- When a transition to Software Standby mode is to follow the setting of the HOCO to stop, confirm that the OSCSF.HOCOSF bit is set to 0, before executing the WFI instruction.

Writing 1 to HCSTP is prohibited under the following condition:

- SCKSCR.CKSEL[2:0] = 000b (system clock source = HOCO).

8.2.10 Middle-Speed On-Chip Oscillator Control Register (MOCOOCR)

Address(es): [SYSTEM.MOCOOCR 4001 E038h](#)



| Bit | Symbol | Bit name | Description | R/W |
|----------|-----------------------|-----------|--------------------------------------------------------|-----|
| b0 | MCSTP | MOCO Stop | 0: Operate the MOCO clock 1: Stop the MOCO clock. | R/W |
| b7 to b1 | — | Reserved | These bits are read as 0. The write value should be 0. | R/W |

The MOCOOCR register controls the MOCO clock.

MCSTP bit (MOCO Stop)

The MCSTP bit starts or stops the MOCO clock.

After setting MCSTP to 0, use the MOCO clock only after the MOCO clock oscillation stabilization time (t_{MOCOWT}) elapses. A fixed stabilization wait time is required after setting MCSTP to 0. A fixed wait time is also required for oscillation to stop after setting MCSTP to 1.

The following restrictions apply when starting and stopping the MOCO clock:

- After stopping the MOCO clock, allow a stop interval of at least 5 MOCO clock cycles before restarting it
- Confirm that MOCO oscillation is stable when stopping the MOCO clock
- Regardless of whether the MOCO clock is selected as the system clock, confirm that MOCO oscillation is stable before executing a WFI instruction to place the MCU in Software Standby mode
- When a transition to Software Standby mode is to follow the setting to stop the MOCO clock, wait for at least 3 MOCO clock cycles before executing the WFI instruction.

Writing 1 to MCSTP is prohibited under the following condition:

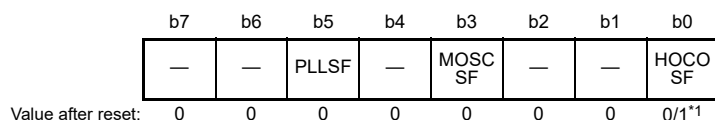
- $\text{SCKSCR.CKSEL}[2:0] = 001\text{b}$ (system clock source = MOCO).

Writing 1 to the MCSTP bit (stopping the MOCO) is prohibited if oscillation stop detection is enabled in the Oscillation Stop Detection Enable bit (OSTDCR.OSTDE) in the Oscillation Stop Detection Control Register.

Because the MOCO clock is used to measure the wait time for other oscillators, the MOCO clock continues to oscillate while measuring this time, regardless of the setting of MOCOOCR.MCSTP. The MOCO clock may be unintentionally supplied even when the MCSTP is set to stop.

8.2.11 Oscillation Stabilization Flag Register (OSCSF)

Address(es): [SYSTEM.OSCSF 4001 E03Ch](#)



| Bit | Symbol | Bit name | Description | R/W |
|-----|------------------------|-------------------------------------------|--------------------------------------------------------------------------------------------------------------------------------|-----|
| b0 | HOCOSF | HOCO Clock Oscillation Stabilization Flag | 0: The HOCO clock is stopped or is not stable yet 1: The HOCO clock is stable, so is available for use as the system clock. | R |

| Bit | Symbol | Bit name | Description | R/W |
|--------|--------|-------------------------------------------|-------------------------------------------------------------------------------------------------------------------------------------------------------------------------------|-----|
| b2, b1 | — | Reserved | These bits are read as 0. The write value should be 0. | R/W |
| b3 | MOSCSF | Main Clock Oscillation Stabilization Flag | 0: The main clock oscillator is stopped (MOSTP = 1) or is not stable yet ² 1: The main clock oscillator is stable, so is available for use as the system clock. | R |
| b4 | — | Reserved | This bit is read as 0. The write value should be 0. | R/W |
| b5 | PLLSF | PLL Clock Oscillation Stabilization Flag | 0: The PLL clock is stopped or oscillation of the PLL clock is not stable yet 1: The PLL clock is stable, so is available for use as the system clock. | R |
| b7, b6 | — | Reserved | These bits are read as 0. The write value should be 0. | R/W |

Note 1. The value after reset depends on the OFS1.HOCOEN bit setting. When OFS1.HOCOEN = 1, the value of OSCSF.HOCOSF becomes 0 after reset is released, and the OSCSF.HOCOSF value becomes 1 after HOCO oscillation stabilization wait time elapses.

Note 2. An appropriate value is set in the Wait Control register for the given oscillator. If the wait time is not sufficient, the oscillation stabilization flag is set to 1 and supply of the clock signal to the internal circuits starts before oscillation is stable.

The OSCSF register contains flags to indicate the operating status of the counters in the oscillation stabilization wait circuits for the individual oscillators.

After oscillation starts, the counters measure the wait time until each oscillator output clock is supplied to the internal circuits. An overflow of a counter indicates the start of the clock supply from the corresponding oscillator to the internal circuits.

HOCOSF flag (HOCO Clock Oscillation Stabilization Flag)

The HOCOSF flag indicates the operating state of the counter that measures the wait time for the High-speed Clock Oscillator (HOCO).

When OFS1.HOCOEN is set to 1, confirm that the OSCSF.HOCOSF is also set to 1 before using the HOCO clock.

[Setting condition]

- After the HOCO clock stops and the HOCOCR.HCSTP bit is set to 0, the high-speed clock supply in the MCU starts after the middle-speed clock cycles set in the HOCOWTCR.HSTS[2:0] bits elapse.

[Clearing condition]

- When the high-speed clock oscillator is operating, it is deactivated when the HOCOCR.HCSTP bit is set to 1.

MOSCSF flag (Main Clock Oscillation Stabilization Flag)

The MOSCSF flag indicates the state of operation of the counter that measures the wait time for the main clock oscillator.

[Setting condition]

- After the main clock oscillator stops and the MOSCCR.MOSTP bit is set to 0, supply of the main clock in the MCU starts after the number of middle-speed clock cycles associated with the setting in the MOSCWTCR.MSTS[3:0] bits elapse.

[Clearing condition]

- When the main clock oscillator is operating, it is deactivated when the MOSCCR.MOSTP bit is set to 1.

PLLSF flag (PLL Clock Oscillation Stabilization Flag)

The PLLSF flag indicates the operating state of the counter that measures the wait time of the PLL.

[Setting condition]

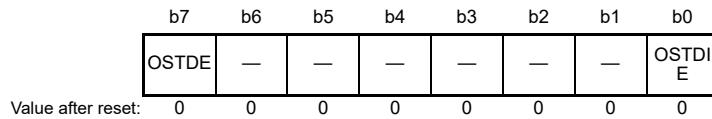
- After the PLL stops and the PLLCR.PLLSTP bit is set to 0, supply of the PLL clock in the MCU starts after 370 cycles of the middle-speed clock are counted. If PLL clock source oscillation is not stable when the PLLSTP bit is set to 0, counting of the middle-speed clock cycles continues after the PLL clock source oscillation is stabilized.

[Clearing condition]

- When the PLL is operating, it is deactivated when the PLLCCR.PLLSTP bit is set to 1.

8.2.12 Oscillation Stop Detection Control Register (OSTDCR)

Address(es): SYSTEM.OSTDCR 4001 E040h



| Bit | Symbol | Bit name | Description | R/W |
|----------|--------|---------------------------------------------|-----------------------------------------------------------------------------------------------------------------------------------------------|-----|
| b0 | OSTDIE | Oscillation Stop Detection Interrupt Enable | 0: Disable oscillation stop detection interrupt (do not notify the POEG) 1: Enable oscillation stop detection interrupt (notify the POEG). | R/W |
| b6 to b1 | — | Reserved | These bits are read as 0. The write value should be 0. | R/W |
| b7 | OSTDE | Oscillation Stop Detection Function Enable | 0: Disable the oscillation stop detection function 1: Enable the oscillation stop detection function. | R/W |

The OSTDCR register controls the oscillation stop detection function.

OSTDIE bit (Oscillation Stop Detection Interrupt Enable)

The OSTDIE bit enables the oscillation stop detection function interrupt. This bit also controls whether the POEG is notified about the oscillation stop detection.

If the Oscillation Stop Detection Flag in the Oscillation Stop Detection Status Register (OSTDSR.OSTDF) requires clearing, set the OSTDIE bit to 0 before OSTDF is set to 0. Wait for at least 2 PCLKB cycles before setting the OSTDIE bit to 1. Depending on the number of cycles required to read a given I/O register, a wait time longer than 2 PCLKB cycles might be required.

OSTDE bit (Oscillation Stop Detection Function Enable)

The OSTDE bit enables the oscillation stop detection function. When the OSTDE bit is 1 (oscillation stop detection function enabled), the MOCO Stop bit (MOCO CR.MCSTP) is set to 0 and the MOCO operation starts. The MOCO cannot be stopped when the oscillation stop detection function is enabled. Writing 1 to the MOCO CR.MCSTP bit (MOCO stopped) is invalid.

When the Oscillation Stop Detection Flag in the Oscillation Stop Detection Status Register (OSTDSR.OSTDF) is 1 (main clock oscillation stop detected), writing 0 to the OSTDE bit is invalid.

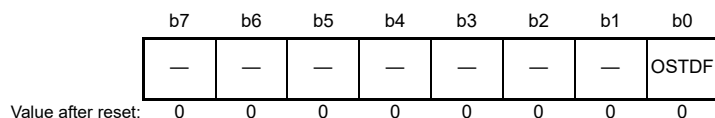
The OSTDE bit must be set to 0 before transitioning to Software Standby mode. To transition to Software Standby mode, first set the OSTDE bit to 0, then execute the WFI instruction.

The following restrictions apply when using the oscillation stop detection function:

- In low-speed mode, selecting division by 1, 2, 4, 8 for ICLK, FCLK, PCLKA, PCLKB, PCLKC, PCLKD is prohibited
- In low-voltage mode, selecting division by 1, 2 for ICLK, FCLK, PCLKA, PCLKB, PCLKC, PCLKD is prohibited.

8.2.13 Oscillation Stop Detection Status Register (OSTDSR)

Address(es): SYSTEM.OSTDSR 4001 E041h



| Bit | Symbol | Bit name | Description | R/W |
|----------|--------|---------------------------------|-----------------------------------------------------------------------------------------|---------|
| b0 | OSTDF | Oscillation Stop Detection Flag | 0: Main clock oscillation stop not detected 1: Main clock oscillation stop detected. | R/(W)*1 |
| b7 to b1 | — | Reserved | These bits are read as 0. The write value should be 0. | R/W |

Note 1. This bit can only be set to 0.

The OSTDSR register indicates the stop detection status of the main clock oscillator.

OSTDF flag (Oscillation Stop Detection Flag)

The OSTDF flag indicates the main clock oscillator status. When this flag is 1, it indicates that the main clock oscillation stop was detected. After the main clock oscillation stop is detected, the OSTDF flag is not set to 0 even when the main clock oscillation is restarted. The OSTDF flag is set to 0 by writing 0 after reading it as 1.

At least 3 ICLK cycles of wait time are required between writing 0 to OSTDF and reading it as 0. If the OSTDF flag is set to 0 when the main clock oscillation is stopped, the OSTDF flag becomes 0 and then returns to 1.

OSTDSR.OSTDF cannot be set to 0 under the following conditions:

- SCKSCR.CKSEL[2:0] = 011b (system clock source = MOSC).

The OSTDF flag must be set to 0 after switching the clock source to sources other than the main clock oscillator and PLL.

[Setting condition]

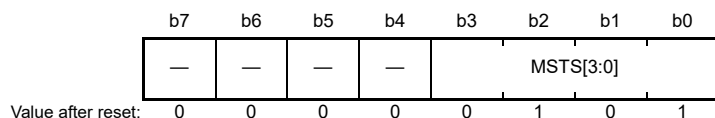
- The main clock oscillation is stopped when OSTDCR.OSTDE is 1 (oscillation stop detection function enabled).

[Clearing condition]

- 1 is read and then 0 is written when the SCKSCR.CKSEL[2:0] bits are neither 011b (system clock is MOSC) nor 101b (system clock is PLL).

8.2.14 Main Clock Oscillator Wait Control Register (MOSCWTCR)

Address(es): SYSTEM.MOSCWTCR 4001 E0A2h



| Bit | Symbol | Bit name | Description | R/W |
|----------|------------------|-----------------------------------------|-----------------------------------------------------------------------------------------------------------------------------------------------------------------------------------------------------------------------------------------------------------------------------------------------------------------------------------------------------------------------------------------------------------------------------------------------------------------------------------------------------------------------------------------------------------------------------------------------------------------|-----|
| b3 to b0 | MSTS[3:0] | Main Clock Oscillator Wait Time Setting | b3 b0 0 0 0 0: Wait time = 2 cycles (0.25 μs) 0 0 0 1: Wait time = 1024 cycles (128 μs) 0 0 1 0: Wait time = 2048 cycles (256 μs) 0 0 1 1: Wait time = 4096 cycles (512 μs) 0 1 0 0: Wait time = 8192 cycles (1024 μs) 0 1 0 1: Wait time = 16384 cycles (2048 μs) (value after reset) 0 1 1 0: Wait time = 32768 cycles (4096 μs) 0 1 1 1: Wait time = 65536 cycles (8192 μs) 1 0 0 0: Wait time = 131072 cycles (16384 μs) 1 0 0 1: Wait time = 262144 cycles (32768 μs). Other settings are prohibited. Wait time is calculated at MOCO = 8 MHz (typically 0.125 μs). | R/W |
| b7 to b4 | — | Reserved | These bits are read as 0. The write value should be 0. | R/W |

MSTS[3:0] bits (Main Clock Oscillator Wait Time Setting)

The MSTS[3:0] bits specify the oscillation stabilization wait time of the main clock oscillator.

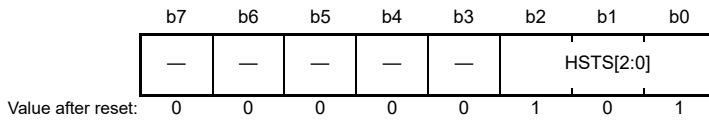
Set the main clock oscillation stabilization time to a period longer than or equal to the stabilization time recommended by the oscillator manufacturer. When the main clock is input externally, set these bits to 0000b because the oscillation stabilization time is not required.

The wait time set in the MSTS[3:0] bits is counted using the MOCO clock. The MOCO automatically oscillates when necessary, regardless of the value of the MOCO.CR.MCSTP bit. After the set wait time elapses, supply of the main clock is started internally in the MCU, and the OSCSF.MOSCSF flag becomes 1. If the set wait time is short, supply of the main clock starts before oscillation of the clock becomes stable.

Only rewrite the MOSCWTCR register when the MOSCCR.MOSTP bit is 1 and the OSCSF.MOSCSF flag is 0. Do not rewrite this register under any other conditions.

8.2.15 High-Speed On-Chip Oscillator Wait Control Register (HOCOWTCR)

Address(es): [SYSTEM.HOCOWTCR 4001 E0A5h](#)



| Bit | Symbol | Bit name | Description | R/W |
|----------|---------------------------|------------------------|---------------------------------------------------------------------------------------------------------------------------------------------------------------------------------------------------------------------------------------------------------------------------------------------------------------------------------------------------------------------------------------------------------------------------------------------------------------------------------------------------------------------------------------------------------------------------------------------------------------------------------------------------------------------------------------------------------------------------------------------------------------------------------------------------------------------------------------|-----|
| b2 to b0 | HSTS[2:0] | HOCO Wait Time Setting | b2 b0 1 0 1: <ul style="list-style-type: none"> Wait time is 245 cycles (29.13 μs) When HOCO operating frequency is 24 MHz or 32 MHz and the operation power control mode is other than low-voltage mode. Wait time is 287 cycles (35.875 μs) when HOCO operating frequency is 48 MHz and operation power control mode is other than low-voltage mode. Wait time is 679 cycles (84.88 μs) (value after reset) when operation power control mode is low-voltage mode. 1 1 0: <ul style="list-style-type: none"> Wait time is 541 cycles (67.63 μs) when HOCO operating frequency is 64 MHz. Other settings are prohibited. Wait time is calculated at MOCO is 8 MHz (typically 0.125 μ s). | R/W |
| b7 to b3 | — | Reserved | These bits are read as 0. The write value should be 0. | R/W |

HOCOWTCR controls the wait time until output of the signal from the high-speed clock oscillator to the internal circuits starts. Values can only be written to HOCOWTCR when the HOCOCR.HCSTP bit is 1 or the OSCSF.HOCOSF flag is 1. Do not write to HOCOWTCR under any other conditions.

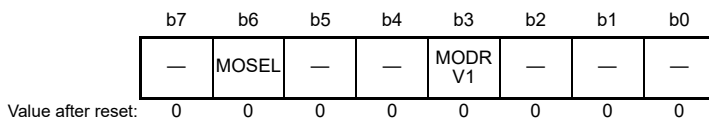
HSTS[2:0] bits (HOCO Wait Time Setting)

The oscillation stabilization wait circuit measures the wait time and controls the clock supply in the MCU. When the high speed clock oscillator starts, the oscillation stabilization wait circuit starts counting cycles of the middle-speed clock set in the HOCOWTCR register. The MCU clock supply is disabled until counting of the set number of cycles is complete. After counting completes, supply of the clock signal in the MCU starts and the OSCSF.HOCOSF flag is set to 1.

The oscillation stabilization wait circuit continues to count the middle-speed clock cycles regardless of the MOCOCR.MCSTP bit setting. Hardware automatically controls the running and stopping of the middle-speed oscillator for wait time measurement.

8.2.16 Main Clock Oscillator Mode Oscillation Control Register (MOMCR)

Address(es): [SYSTEM.MOMCR 4001 E413h](#)



| Bit | Symbol | Bit name | Description | R/W |
|----------|--------|----------------------------------------------------|--------------------------------------------------------|-----|
| b2 to b0 | — | Reserved | These bits are read as 0. The write value should be 0. | R/W |
| b3 | MODRV1 | Main Clock Oscillator Drive Capability 1 Switching | 0: 10 MHz to 20 MHz 1: 1 MHz to 10 MHz. | R/W |
| b5, b4 | — | Reserved | These bits are read as 0. The write value should be 0. | R/W |
| b6 | MOSEL | Main Clock Oscillator Switching | 0: Resonator 1: External clock input. | R/W |
| b7 | — | Reserved | This bit is read as 0. The write value should be 0. | R/W |

Note: The EXTAL/XTAL pin is also used as a port. In the initial setting state, the pin is set as a port.

Note: The MOSTP bit must be 1 (MOSC is stopped) before modifying this register.

MODRV1 bit (Main Clock Oscillator Drive Capability 1 Switching)

The MODRV1 bit switches the drive capability of the main clock oscillator.

MOSEL bit (Main Clock Oscillator Switching)

The MOSEL bit switches the source for the main clock oscillator.

8.2.17 Sub-Clock Oscillator Mode Control Register (SOMCR)

Address(es): SYSTEM.SOMCR 4001 E481h

| b7 | b6 | b5 | b4 | b3 | b2 | b1 | b0 |
|----|----|----|----|----|----|------------|----|
| — | — | — | — | — | — | SODRV[1:0] | |
| 0 | 0 | 0 | 0 | 0 | 0 | 0 | 0 |

Value after reset:

| Bit | Symbol | Bit name | Description | R/W |
|----------|------------|-------------------------------------------------|-------------------------------------------------------------------------------------------------------|-----|
| b1, b0 | SODRV[1:0] | Sub-Clock Oscillator Drive Capability Switching | b1 b0 0 0: Normal mode 0 1: Low power mode 1 1 0: Low power mode 2 1 1: Low power mode 3. | R/W |
| b7 to b2 | — | Reserved | These bits are read as 0. The write value should be 0. | R/W |

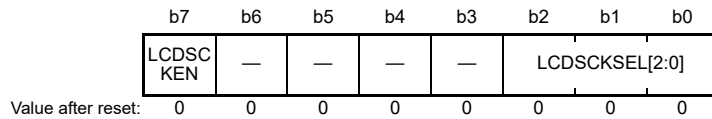
This register must be modified when SOSCCR.SOSTP is 1 (SOSC is stopped).

SODRV[1:0] bits (Sub-Clock Oscillator Drive Capability Switching)

The SODRV[1:0] bits switch the drive capability of the sub-clock oscillator.

8.2.18 Segment LCD Source Clock Control Register (SLCDSCKCR)

Address(es): SYSTEM.SLCDSCKCR 4001 E050h



| Bit | Symbol | Bit name | Description | R/W |
|----------|-----------------------|-------------------------------------|------------------------------------------------------------------------------------------------------|-----|
| b2 to b0 | LCDSCKSEL[2:0] | LCD Source Clock (LCDSRCCLK) Select | b2 b0 0 0 0: LOCO 0 0 1: SOSC 0 1 0: MOSC 1 0 0: HOCO. Other settings are prohibited. | R/W |
| b6 to b3 | — | Reserved | These bits are read as 0. The write value should be 0. | R/W |
| b7 | LCDSCKEN | LCD Source Clock Out Enable | 0: LCD source clock out disabled 1: LCD source clock out enabled. | R/W |

Setting the LCDSCKEN bit and LCDSCKSEL[2:0] bits at the same time is prohibited.

LCDSCKSEL[2:0] bits (LCD Source Clock (LCDSRCCLK) Select)

The LCDSCKSEL[2:0] bits select the LOCO, SOSC, MOSC, or HOCO clock as the LCD clock source. Clear the LCDSCKEN bit to 0 when changing the LCD source clock.

When changing these bits, use the following steps:

1. Set LCDSCKEN to 0 (LCD source clock out is disabled).
2. Wait for 3 LCD source clock cycles and 2 ICLK cycles before the change.
3. Write the changed value to LCDSCKSEL[2:0] bits.
4. Read LCDSCKSEL[2:0] bits to confirm that the LCDSCKSEL[2:0] bits are changed.

LCDSCKEN bit (LCD Source Clock Out Enable)

The LCDSCKEN bit enables output of the LCD source clock to LCD module.

When this bit is set to 1, the selected clock is output. When changing this bit, confirm that the LCD source clock selected by the LCDSCKSEL[2:0] bits is stable. When transitioning to Software Standby mode after changing this bit, use the following steps:

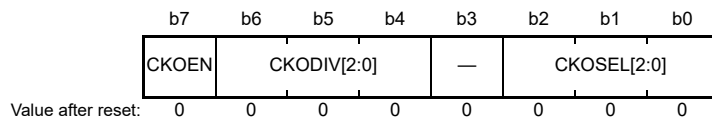
1. Change this bit.
2. Wait for at least 2 cycles of the source clock selected in the LCDSCKSEL[2:0] bits.
3. Execute the WFI instruction.

When stopping the source clock selected in the LCDSCKSEL[2:0] bits after clearing this bit to 0, use the following steps:

1. Clear this bit to 0 (LCD source clock output is disabled).
2. Wait for at least 2 cycles of the source clock selected by the LCDSCKSEL[2:0] bits.
3. Stop the source clock selected by the LCDSCKSEL[2:0] bits.

8.2.19 Clock Out Control Register (CKOCR)

Address(es): SYSTEM.CKOCR 4001 E03Eh



| Bit | Symbol | Bit name | Description | R/W |
|----------|-------------|-------------------------------------------|------------------------------------------------------------------------------------------------------------------------|-----|
| b2 to b0 | CKOSEL[2:0] | Clock Out Source Select | b2 b0 0 0 0: HOCO 0 0 1: MOCO 0 1 0: LOCO 0 1 1: MOSC 1 0 0: SOSC. Other settings are prohibited. | R/W |
| b3 | — | Reserved | This bit is read as 0. The write value should be 0. | R/W |
| b6 to b4 | CKODIV[2:0] | Clock Out Input Frequency Division Select | b6 b4 0 0 0: ×1 0 0 1: /2 0 1 0: /4 0 1 1: /8 1 0 0: /16 1 0 1: /32 1 1 0: /64 1 1 1: /128. | R/W |
| b7 | CKOEN | Clock Out Enable | 0: Disable clock out 1: Enable clock out. | R/W |

CKOSEL[2:0] bits (Clock Out Source Select)

The CKOSEL[2:0] bits select the HOCO, MOCO, LOCO, MOSC, or SOSC clock as the source clock to be output from the CLKOUT pin.

When changing the CLKOUT source clock, set the CKOEN bit to 0.

CKODIV[2:0] bits (Clock Out Input Frequency Division Select)

The CKODIV[2:0] bits select the clock division ratio.

When changing the division ratio, set the CKOEN bit to 0. The division ratio of the output clock frequency must be set to a value no higher than the characteristics of the CLKOUT pin output frequency. See [section 48, Electrical Characteristics](#) for details on the CLKOUT pin characteristics.

CKOEN bit (Clock Out Enable)

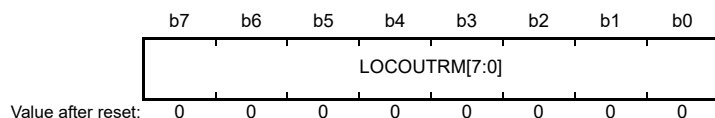
The CKOEN bit enables output from the CLKOUT pin.

When this bit is set to 1, the selected clock is output. When this bit is set to 0, low is output. When changing this bit, confirm that the clock source selected in the CKOSEL[2:0] bits is stable. Otherwise, a glitch might be generated in the output.

Clear this bit before entering Software Standby mode if the selected clock source is stopped in that mode.

8.2.20 LOCO User Trimming Control Register (LOCOUTCR)

Address(es): SYSTEM.LOCOUTCR 4001 E492h



| Bit | Symbol | Bit name | Description | R/W |
|----------|---------------|--------------------|---------------------------------------------------------------------------------------------------------------------------------------------------------------------------------------------------------------------------------------------------------------------|-----|
| b7 to b0 | LOCOUTRM[7:0] | LOCO User Trimming | b7 b0 1 0 0 0 0 0 0 0: -128 1 0 0 0 0 0 0 1: -127 1 0 0 0 0 0 1 0: -126 ... 1 1 1 1 1 1 1 1: -1 0 0 0 0 0 0 0 0: Center Code 0 0 0 0 0 0 0 1: +1 ... 0 1 1 1 1 1 0 1: +125 0 1 1 1 1 1 1 0: +126 0 1 1 1 1 1 1 1: +127. | R/W |

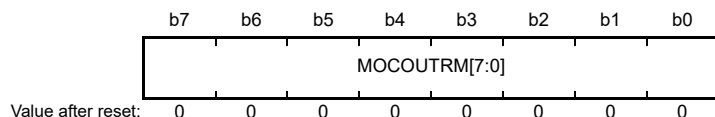
These bits are added to the original LOCO trimming bits.

MCU operation is not guaranteed when LOCOUTCR is set to a value that causes the LOCO frequency to be outside of the specification range.

When LOCOUTCR is modified, the frequency stabilization time required corresponds to the frequency stabilization time at the start of the MCU operation. When the ratio of the LOCO clock frequency and other oscillation frequency is an integer value, changing the LOCOUTCR value is prohibited.

8.2.21 MOCO User Trimming Control Register (MOCOUTCR)

Address(es): SYSTEM.MOCOUTCR 4001 E061h



| Bit | Symbol | Bit name | Description | R/W |
|----------|---------------|--------------------|---------------------------------------------------------------------------------------------------------------------------------------------------------------------------------------------------------------------------------------------------------------------|-----|
| b7 to b0 | MOCOUTRM[7:0] | MOCO User Trimming | b7 b0 1 0 0 0 0 0 0 0: -128 1 0 0 0 0 0 0 1: -127 1 0 0 0 0 0 1 0: -126 ... 1 1 1 1 1 1 1 1: -1 0 0 0 0 0 0 0 0: Center Code 0 0 0 0 0 0 0 1: +1 ... 0 1 1 1 1 1 0 1: +125 0 1 1 1 1 1 1 0: +126 0 1 1 1 1 1 1 1: +127. | R/W |

These bits are added to the original MOCO trimming bits.

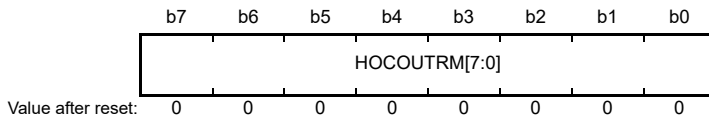
MCU operation is not guaranteed when MOCOUTCR is set to a value that causes the MOCO frequency to be outside of the specification range.

When MOCOUTCR is modified, the frequency stabilization wait time corresponds to the time when it is stabilized at the start of the MCU operation.

When the ratio of the MOCO frequency to the other oscillation frequency is an integer value, changing the MOCOUTCR value is prohibited.

8.2.22 HOCO User Trimming Control Register (HOCOUTCR)

Address(es): [SYSTEM.HOCOUTCR 4001 E062h](#)

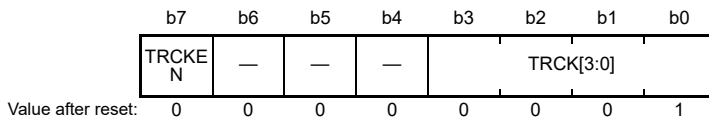


| Bit | Symbol | Bit name | Description | R/W |
|----------|-------------------------------|--------------------|---------------------------------------------------------------------------------------------------------------------------------------------------------------------------------------------------------------------------------------------------------------------------------------------------------------------------|-----|
| b7 to b0 | HOCOUTRM[7:0] | HOCO User Trimming | b7 b0 1 0 0 0 0 0 0 0: -128 1 0 0 0 0 0 0 1: -127 1 0 0 0 0 0 1 0: -126 ... 1 1 1 1 1 1 1 1: -1 0 0 0 0 0 0 0 0: Center Code 0 0 0 0 0 0 0 1: +1 ... 0 1 1 1 1 1 0 1: +125 0 1 1 1 1 1 1 0: +126 0 1 1 1 1 1 1 1: +127. These bits are added to the original HOCO trimming bits. | R/W |

MCU operation is not guaranteed when HOCOUTCR is set to a value that causes the HOCO frequency to be outside of the specification range. When HOCOUTCR is modified, the frequency stabilization wait time corresponds to the time when it is stabilized at the start of the MCU operation. When USBCKCR.USBCLKSEL = 1, writing any other value except 00h to HOCOUTCR is prohibited.

8.2.23 Trace Clock Control Register (TRCKCR)

Address(es): [SYSTEM.TRCKCR 4001 E03Fh](#)



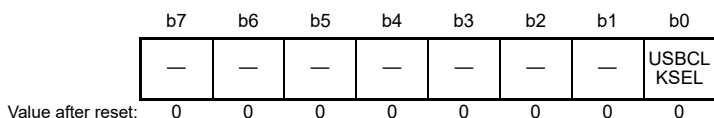
| Bit | Symbol | Bit name | Description | R/W |
|----------|---------------------------|----------------------------------------|----------------------------------------------------------------------------------------------------------------|-----|
| b3 to b0 | TRCK[3:0] | Trace Clock Operation Frequency Select | b3 b0 0 0 0 0: /1 0 0 0 1: /2 (value after reset) 0 0 1 0: /4. Other settings are prohibited. | R/W |
| b6 to b4 | — | Reserved | These bits are read as 0. The write value should be 0. | R/W |
| b7 | TRCKEN | Trace Clock Operating Enable | 0: Disable operation 1: Enable operation. | R/W |

Note: The TRCKCR register can be initialized by all resets except VBATT_POR.

The Trace Clock Control Register controls the switching of the trace clock. Set TRCKEN to 0 before changing the TRCLK frequency.

8.2.24 USB Clock Control Register (USBCKCR)

Address(es): SYSTEM.USBCKCR 4001 E0D0h



| Bit | Symbol | Bit name | Description | R/W |
|----------|-----------|-------------------------|--------------------------------------------------------|-----|
| b0 | USBCLKSEL | USB Clock Source Select | 0: PLL (value after reset) 1: HOCO. | R/W |
| b7 to b1 | — | Reserved | These bits are read as 0. The write value should be 0. | R/W |

USBCLKSEL bit (USB Clock Source Select)

The USBCLKSEL bit selects the source of the USB clock (UCLK).

- Rewrite the USBCKCR register while the SYSCFG.SCKE bit is 0
- The USBCKCR.USBCLKSEL bit can only be set to 1 when USBFS is used as the device controller. Set the USBCKSR.USBCLKSEL bit to 0 to use the host controller and the On-The-Go (OTG) function.
- The user trimming function cannot be used when the USBCKCR.USBCLKSEL bit is 1. To use the HOCO user trimming function, set the bits HOCOUTCR.HOCOUTRM[7:0] to 00h.

8.3 Main Clock Oscillator

To supply the clock signal to the main clock oscillator, use one of the following ways:

- Connect an oscillator
- Connect the input of an external clock signal.

8.3.1 Connecting a Crystal Resonator

Figure 8.4 shows an example of connecting a crystal resonator.

A damping resistor (R_d) can be added, if required. Because the resistor values vary according to the resonator and the oscillation drive capability, use values recommended by the resonator manufacturer. If the manufacturer recommends the use of an external feedback resistor (R_f), insert an R_f between EXTAL and XTAL by following the instructions.

When connecting a resonator to supply the clock, the frequency of the resonator must be in the frequency range of the resonator for the main clock oscillator as described in Table 8.1.

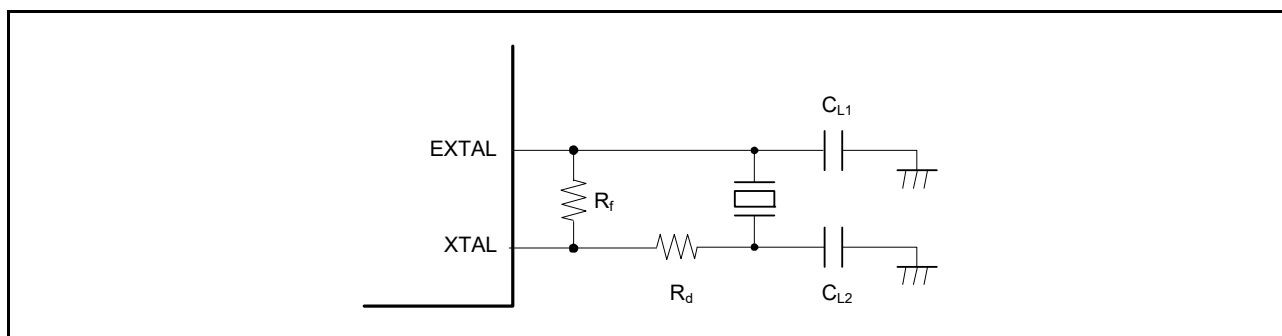


Figure 8.4 Example of crystal resonator connection

8.3.2 External Clock Input

Figure 8.5 shows an example for connecting an external clock input. To operate the oscillator with an external clock signal, set the MOMCR.MOSEL bit to 1. The XTAL pin goes to high impedance.

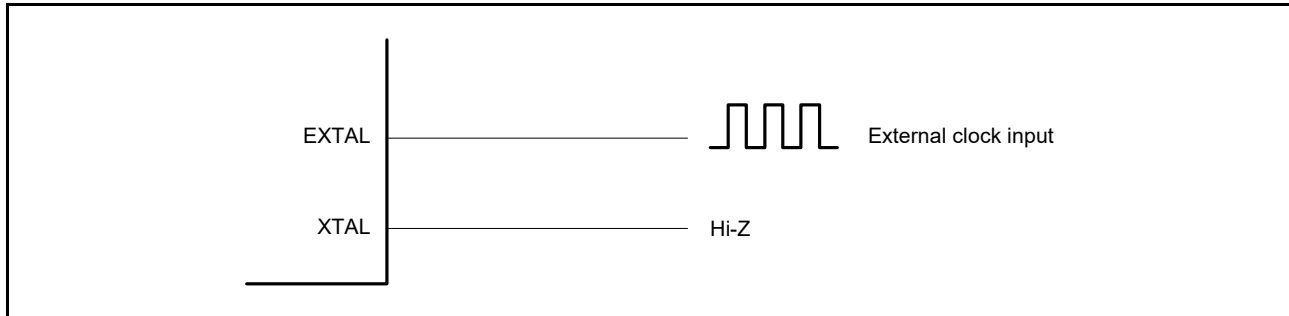


Figure 8.5 Equivalent circuit for external clock

8.3.3 Notes on External Clock Input

The frequency of the external clock input can only be changed when the main clock oscillator is stopped. Do not change the frequency of the external clock input when the setting of the Main Clock Oscillator Stop bit (MOSCCR.MOSTP) is 0.

8.4 Sub-Clock Oscillator

The only way of supplying a clock signal to the sub-clock oscillator is by connecting a crystal oscillator.

8.4.1 Connecting 32.768-kHz Crystal Resonator

To supply a clock to the sub-clock oscillator, connect a 32.768-kHz crystal resonator, as shown in Figure 8.6.

A damping resistor (R_d) can be added, if necessary. Because the resistor values vary according to the resonator and the oscillation drive capability, use values recommended by the resonator manufacturer. If the resonator manufacturer recommends the use of an external feedback resistor (R_f), insert an R_f between XCIN and XCOUT by following the instructions. When connecting a resonator to supply the clock, the frequency of the resonator must be in the frequency range of the resonator for the sub-clock oscillator, as described in Table 8.1.

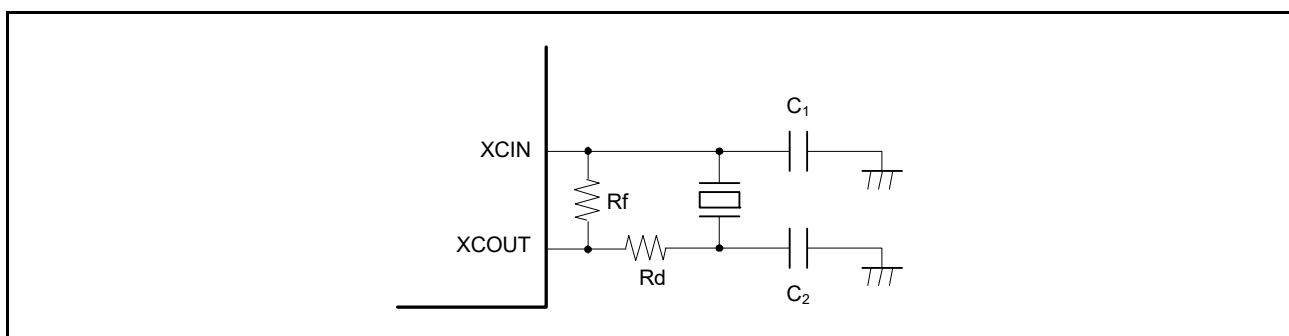


Figure 8.6 Connection example of 32.768-kHz crystal resonator

8.5 Oscillation Stop Detection Function

8.5.1 Oscillation Stop Detection and Operation after Detection

The oscillation stop detection function detects the main clock oscillator stop.

When oscillation stop is detected, the system clock switches as follows:

- If an oscillation stop is detected with SCKSCR.CKSEL[2:0] = 011b (system clock source = MOSC), the system clock source switches to the MOCO clock

- If an oscillation stop is detected with `SCKSCR.CKSEL[2:0] = 101b` (system clock source = PLL), the PLL clock remains the system clock source. The frequency becomes a free-running oscillation frequency and the setting of `SCKSCR.CKSEL[2:0]` is unchanged.

An oscillation stop detection interrupt request can be generated when an oscillation stop is detected. In addition, the General PWM Timer (GPT) output can be forced to a high-impedance state on detection.

The main clock oscillation stop is detected when the input clock remains at 0 or 1 for a certain period, for example, when a malfunction occurs in the main clock oscillator. See [section 48, Electrical Characteristics](#).

Switching between the main clock and MOCO clock or between the PLL clock and PLL free-running clock is controlled by the Oscillation Stop Detection Flag (`OSTDSR.OSTDF`).

`OSTDF` controls the switched clock as follows:

- `SCKSCR.CKSEL[2:0] = 011b` (system clock source = MOSC):
When `OSTDF` changes from 0 to 1, the clock source switches to MOCO clock.
When `OSTDF` changes from 1 to 0, the clock source switches to MOSC clock again.
- `SCKSCR.CKSEL[2:0] = 101b` (system clock source = PLL):
When `OSTDF` changes from 0 to 1, the clock source switches to the PLL free-running oscillation clock.
When `OSTDF` changes from 1 to 0, the clock source switches to PLL again.

To switch the clock source to the main clock or PLL clock again after the oscillation stop detection, set the `CKSEL[2:0]` bits to a clock source other than the main clock or PLL clock, and clear the `OSTDF` flag to 0. Also, check that the `OSTDF` flag is not 1, then set the `CKSEL[2:0]` bits to the main clock or PLL clock after the specified oscillation stabilization time elapses.

After a reset is released, the main clock oscillator stops and the oscillation stop detection function is disabled. To enable the oscillation stop detection function, activate the main clock oscillator and write 1 to the Oscillation Stop Detection Function Enable bit (`OSTDCR.OSTDE`) after a specified oscillation stabilization time elapses.

The oscillation stop detection function detects when the main clock is stopped by an external cause. Therefore, the oscillation stop detection function must be disabled before the main clock oscillator is stopped by software or a transition is made to Software Standby mode.

The oscillation stop detection function switches the following clocks to the MOCO clock (when system clock is MOSC):

- All clocks that can be selected as the MOSC or PLL except `CLKOUT`
- The system clock (`ICLK`) frequency during the MOCO (when system clock is MOSC) or PLL free-running (when system clock is PLL) operation is specified in the MOCO oscillation frequency and the division ratio set in the System Clock Select bits (`SCKDIVCR.ICK[2:0]`).

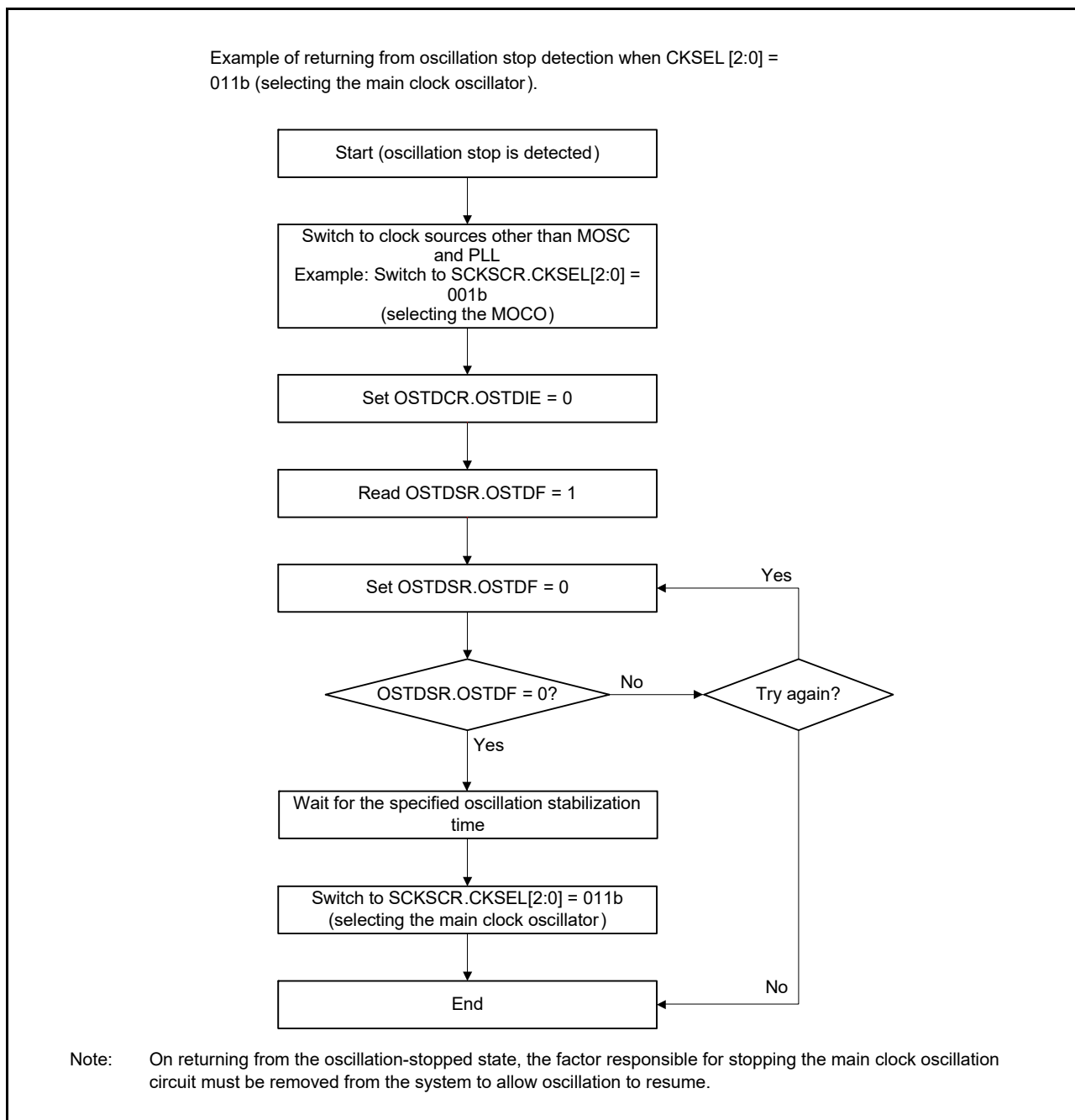


Figure 8.7 Flow of recovery from detection of oscillator stop

8.5.2 Oscillation Stop Detection Interrupts

An oscillation stop detection interrupt (MOSC_STOP) is generated when the Oscillation Stop Detection Flag (OSTDSR.OSTDF) is 1 and the Oscillation Stop Detection Interrupt Enable bit in the Oscillation Stop Detection Control Register (OSTDCR.OSTDIE) is 1 (enabling interrupt generation on oscillation stop detection). The Port Output Enable for GPT (POEG) is notified of the main clock oscillator stop. On receiving the notification, the POEG sets the Oscillation Stop Detection Flag in the POEG Group n Setting Register (POEGGn.OSTPF) to 1 (n = A, B).

After the oscillation stop is detected, wait at least 10 PCLKB cycles before writing to the POEGGn.OSTPF flag. When the OSTDSR.OSTDF flag requires clearing, do so after clearing the Oscillation Stop Detection Interrupt Enable bit in the Oscillation Stop Detection Control Register (OSTDCR.OSTDIE). Wait at least 2 PCLKB cycles clock before setting the OSTDCR.OSTDIE bit to 1 again. A longer PCLKB wait time might be required, depending on the number of cycles required to read out a given I/O register.

The oscillation stop detection interrupt is a non-maskable interrupt. Because non-maskable interrupts are disabled in the initial state after a reset release, enable the non-maskable interrupts through software before using the oscillation stop detection interrupts. For details, see [section 13, Interrupt Controller Unit \(ICU\)](#).

8.6 PLL Circuit

The PLL circuit has a function to multiply the frequency from the oscillator.

8.7 Internal Clock

Clock sources for the internal clock signals include:

- Main clock oscillator
- Sub-clock oscillator
- HOCO clock
- MOCO clock
- LOCO clock
- PLL clock
- Dedicated clock for the IWDT
- External clock for JTAG.

The following internal clocks are produced from these sources:

- Operating clock for the CPU, DMAC, DTC, flash memory, and SRAM — system clock (ICLK)
- Operating clocks for peripheral modules — PCLKA, PCLKB, PCLKC, and PCLKD
- Operating clock for the flash interface — FCLK
- Operating clock for the USBFS — UCLK
- Operating clock for the CAN — CANMCLK
- Operating clocks for the CAC — CACCLK
- Operating clock for the RTC LOCO clock — RTCLCLK
- Operating clock for the RTC sub-clock — RTCSCCLK
- Operating clock for the IWDT — IWDTCLK
- Operating clock for the AGT LOCO clock — AGTLCLK
- Operating clock for the AGT sub-clock — AGTSCLK
- Operating clock for the SysTick timer — SYSTICCLK
- Source clock for the SLCDC — LCDSRCCLK
- Clock for external pin output — CLKOUT
- Operating clock for the JTAG — JTAGTCK.

For details on the registers used to set the frequencies of the internal clocks, see [section 8.7.1, System Clock \(ICLK\)](#) to [section 8.7.13, JTAG Clock \(JTAGTCK\)](#).

If the value of any of these bits is changed, subsequent operation is at a frequency determined by the new value.

8.7.1 System Clock (ICLK)

The system clock, ICLK, is the operating clock for the CPU, DMAC, DTC, flash memory, and SRAM.

The ICLK frequency is specified in the following bits:

- ICK[2:0] bits in SCKDIVCR
- CKSEL[2:0] bits in SCKSCR

- PLLMUL[4:0] and PLODIV[1:0] bits in PLLCCR2
- HOCOFRQ1[2:0] bits in OFS1.

When the ICLK clock source is switched, the duration of the ICLK clock cycle becomes longer during the clock source transition period. See [Figure 8.8](#) and [Figure 8.9](#).

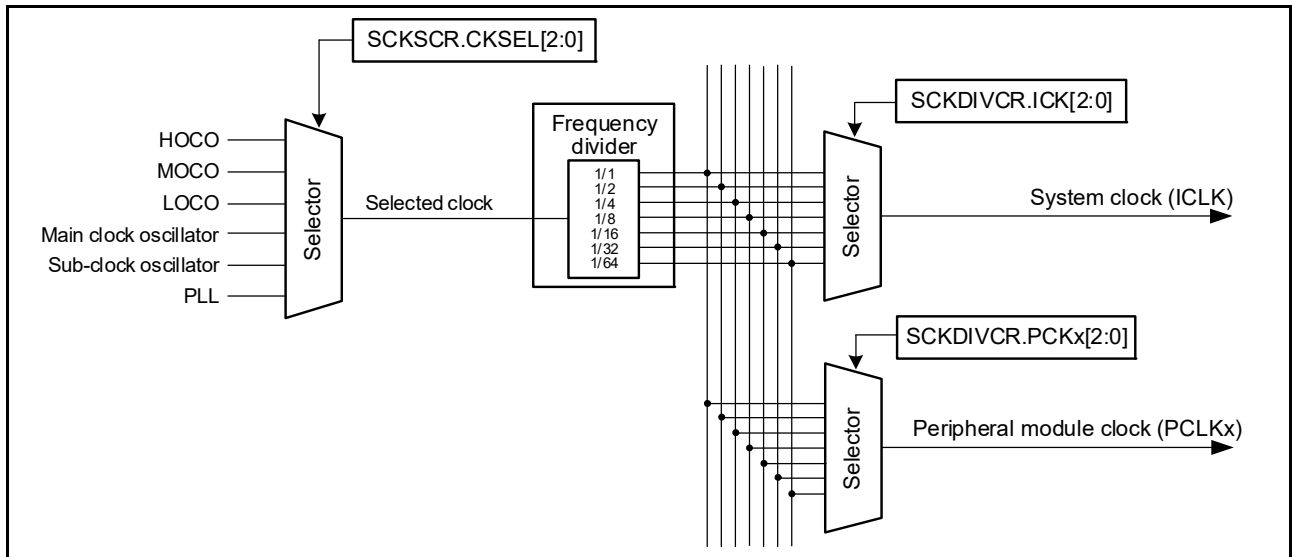


Figure 8.8 Clock source selector block diagram

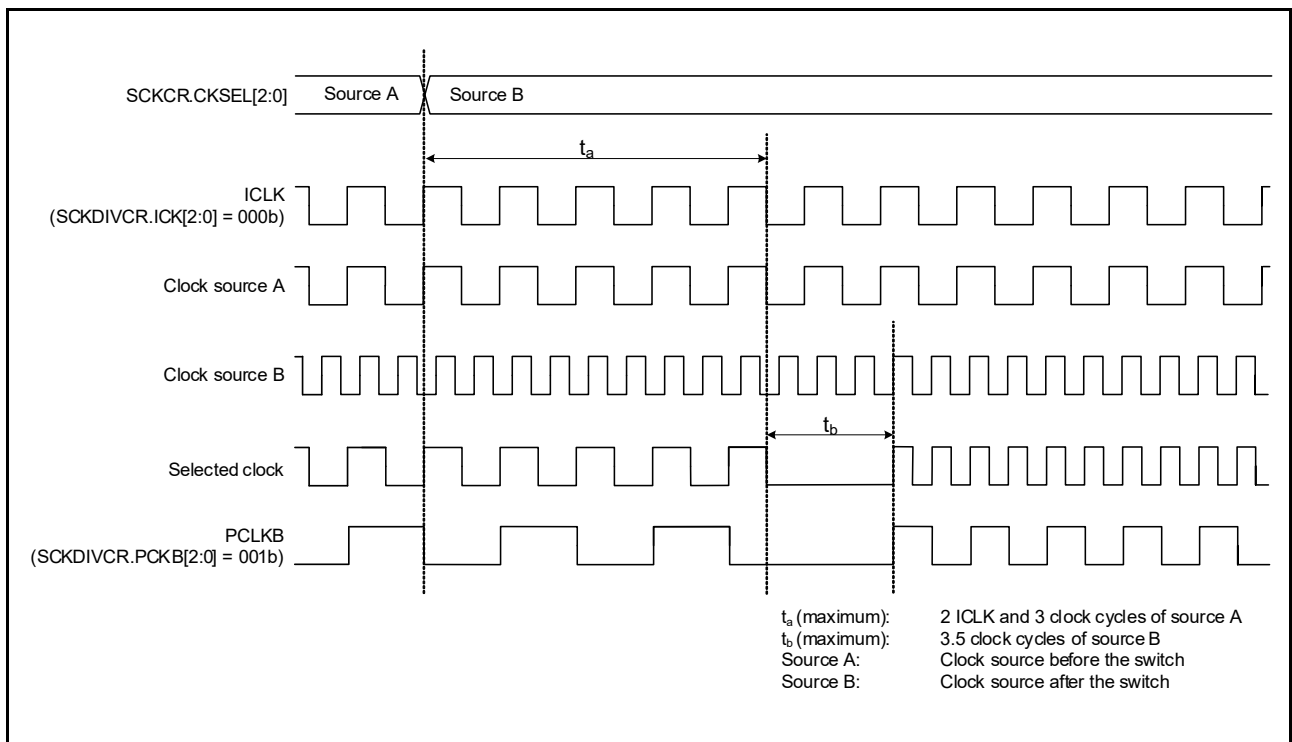


Figure 8.9 Clock source switching timing diagram

8.7.2 Peripheral Module Clock (PCLKA, PCLKB, PCLKC, PCLKD)

The peripheral module clocks, PCLKA, PCLKB, PCLKC, and PCLKD, are the operating clocks for the peripheral modules.

The frequency of the given clock is specified in the following bits:

- PCKA[2:0], PCKB[2:0], PCKC[2:0], and PCKD[2:0] bits in SCKDIVCR
- CKSEL[2:0] bits in SCKSCR
- PLLMUL[4:0] and PLODIV[1:0] bits in PLLCCR2
- HOCOFRQ1[2:0] bits in OFS1.

When the clock source of the peripheral module clock is switched, the duration of the peripheral module clock cycle becomes longer during the clock source transition period. See [Figure 8.8](#) and [Figure 8.9](#).

8.7.3 Flash Interface Clock (FCLK)

The flash interface clock, FCLK, is the operating clock for the flash memory interface. In addition to reading from the data flash, FCLK is used for the programming and erasure of the code flash and data flash.

The FCLK frequency is specified in the following bits:

- FCK[2:0] bits in SCKDIVCR
- CKSEL[2:0] bits in SCKSCR
- PLLMUL[4:0] and PLODIV[1:0] bits in PLLCCR2
- HOCOFRQ1[2:0] bits in OFS1.

8.7.4 USB Clock (UCLK)

The USB clock, UCLK, is the operating clock for the USBFS module. A 48-MHz clock must be supplied to the USBFS module. When the USBFS module is used, the setting must be 48 MHz for the UCLK clock.

The UCLK frequency is specified in the following bits:

- CKSEL[2:0] bits in the SCKSCR
- PLLMUL[4:0] and PLODIV[1:0] bits in PLLCCR2
- HOCOFRQ1[2:0] bits in OFS1.

8.7.5 CAN Clock (CANMCLK)

The CAN clock, CANMCLK, is the operating clock for the CAN module. CANMCLK is generated by the main clock oscillator.

8.7.6 CAC Clock (CACCLK)

The CAC clock, CACCLK, is the operating clock for the CAC.

CACCLK is generated by the following:

- Main clock oscillator
- Sub-clock oscillator
- High-speed clock oscillator
- Middle-speed clock oscillator
- Low-speed on-chip oscillator
- IWDT-dedicated on-chip oscillator.

8.7.7 RTC-Dedicated Clock (RTCSCLK, RTCLCLK)

The RTC-dedicated clocks, RTCSCLK and RTCLCLK, are the operating clock for the RTC.

RTCSCLK is generated by the sub-clock oscillator, and RTCLCLK is generated by the LOCO clock.

8.7.8 IWDT-Dedicated Clock (IWDTCLK)

The IWDT-dedicated clock, IWDTCLK, is the operating clock for the IWDT.

IWDTCLK is internally generated by the IWDT-dedicated on-chip oscillator.

8.7.9 AGT-Dedicated Clock (AGTSCLK, AGTLCLK)

The AGT-dedicated clock, AGTSCLK and AGTLCLK, are the operating clocks for the AGT.

AGTSCLK is generated by the sub-clock oscillator, and AGTLCLK is generated by the LOCO clock.

8.7.10 SysTick Timer-Dedicated Clock (SYSTICCLK)

The SysTick timer-dedicated clock, SYSTICCLK, is the operating clock for the SYSTICCLK.

SYSTICCLK is generated by the LOCO clock.

8.7.11 Segment LCD Source Clock (LCDSRCCLK)

The Segment LCD source clock, LCDSRCCLK, is the operating clock for the SLCDC.

The LCDSRCCLK is specified by the LCDSCKSEL[2:0] bits in SLCDSCPCR.

LCDSRCCLK is output when SLCDSCPCR.LCDSCKEN is set to 1. When changing the value of SLCDSCPCR.LCDSCKSEL[2:0], make sure that the value of SLCDSCPCR.LCDSCKEN is 0.

8.7.12 Clock/Buzzer Output Clock (CLKOUT)

The CLKOUT is output externally from the CLKOUT pin, for the clock or buzzer output.

CLKOUT is output to the CLKOUT pin when CKOCR.CKOEN is set to 1. Only change the value of CKODIV[2:0] or CKOSEL[2:0] bits in CKOCR when CKOCR.CKOEN is 0.

The CLKOUT clock frequency is specified in the following bits:

- CKODIV[2:0] or CKOSEL[2:0] in CKOCR
- PLLMUL[4:0] and PLODIV[1:0] bits in PLLCCR2
- HOCOFRQ1[2:0] bits in OFS1.

8.7.13 JTAG Clock (JTAGTCK)

The JTAG-dedicated clock, JTAGTCK, is the operating clock for the JTAG.

JTAGTCK is generated by the external clock for JTAG (TCK).

8.8 Usage Notes

8.8.1 Notes on Clock Generation Circuit

The frequencies of the system clock (ICLK), the peripheral module clock (PCLKA to PCLKD), and the flash interface clock (FCLK) supplied to each module change according to the settings of SCKDIVCR. Each frequency must meet the following conditions:

- Select each frequency that is within the operation-guaranteed range of the clock cycle time (t_{cyC}) specified in the AC electrical characteristics. See [section 48, Electrical Characteristics](#)
- The frequencies must not exceed the ranges listed in [Table 8.2](#)
- The peripheral modules operate on the PCLKB and PCLKA. The operating speed of modules such as the timer and SCI varies before and after the frequency is changed.
- The system clock (ICLK), peripheral module clock (PCLKA to PCLKD), and flash interface clock (FCLK) must be set according to [Table 8.2](#).

To ensure correct processing after the clock frequency changes, first modify the relevant clock control register to change the frequency, then read the value from the register, and finally perform the subsequent processing.

8.8.2 Notes on Resonator

Because various resonator characteristics relate closely to your board design, adequate evaluation is required before use.

See the resonator connection example in [Figure 8.6](#). The circuit constants for the resonator depend on the resonator to be used and the stray capacitance of the mounting circuit. Therefore, consult the resonator manufacturer when determining the circuit constants. The voltage to be applied between the resonator pins must be within the absolute maximum rating.

8.8.3 Notes on Board Design

When using a crystal resonator, place the resonator and its load capacitors as close to the XTAL and EXTAL pins as possible. Other signal lines should be routed away from the oscillation circuit, as shown in [Figure 8.10](#), to prevent electromagnetic induction from interfering with correct oscillation.

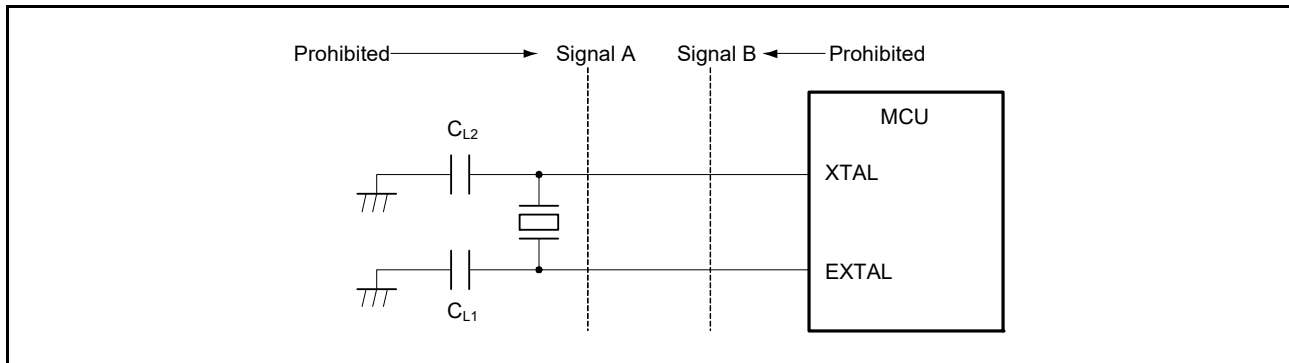


Figure 8.10 Signal routing in board design for oscillation circuit (applies to the sub-clock oscillator for the main clock oscillator)

8.8.4 Notes on Resonator Connect Pin

When the main clock is not used, the EXTAL and XTAL pins can be used as general ports, P212 and P213. When these pins are used as general ports, the main clock must be stopped by setting MOSCCR.MOSTP to 1.

9. Clock Frequency Accuracy Measurement Circuit (CAC)

9.1 Overview

The Clock Frequency Accuracy Measurement Circuit (CAC) counts pulses of the clock to be measured (measurement target clock) within the time generated by the clock to be used as a measurement reference (measurement reference clock). It determines the accuracy depending on whether the number of pulses is within the allowable range.

When measurement is completed or the number of pulses within the time generated by the measurement reference clock is not within the allowable range, an interrupt request is generated.

[Table 9.1](#) lists the CAC specifications, [Figure 9.1](#) shows the block diagram, and [Table 9.2](#) shows the I/O pins.

Table 9.1 CAC specifications

| Parameter | Description |
|------------------------------|---------------------------------------------------------------------------------------------------------------------------------------------------------------------------------------------------------------------------------------------------------------------------------------------------------------------------------------|
| Measurement target clocks | Frequency can be measured for: <ul style="list-style-type: none"> • Main clock oscillator • Sub-clock oscillator • HOCO clock • MOCO clock • LOCO clock • IWDTCCLK clock • Peripheral module clock B (PCLKB). |
| Measurement reference clocks | Frequency can be referenced to: <ul style="list-style-type: none"> • External clock input to the CACREF pin • Main clock oscillator • Sub-clock oscillator • HOCO clock • MOCO clock • LOCO clock • IWDTCCLK clock • Peripheral module clock B (PCLKB). |
| Selectable function | Digital filter |
| Interrupt sources | <ul style="list-style-type: none"> • Measurement end • Frequency error • Overflow. |
| Module-stop function | Module-stop state can be set to reduce power consumption |

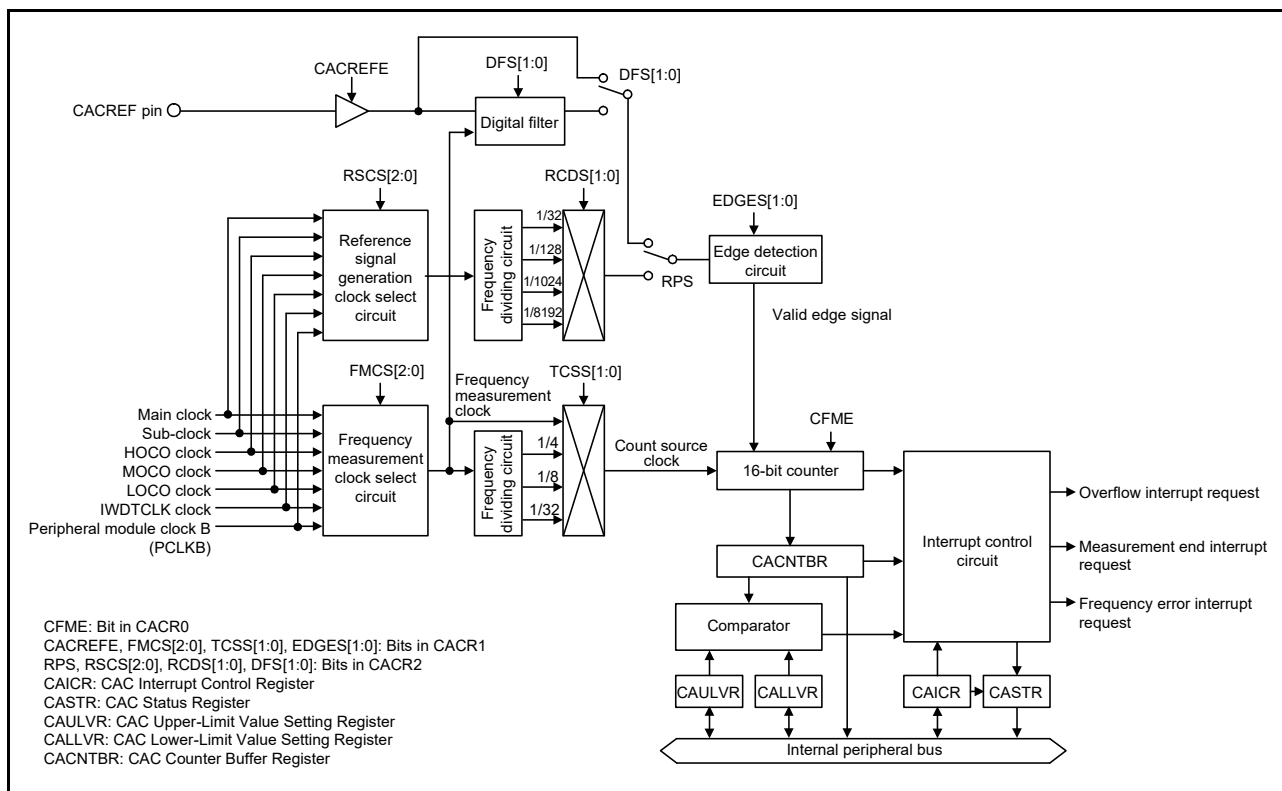


Figure 9.1 CAC block diagram

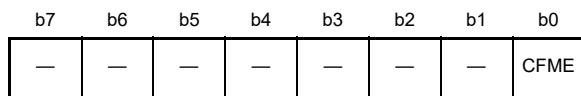
Table 9.2 CAC pin configuration

| Pin name | I/O | Function |
|----------|-------|---------------------------------------|
| CACREF | Input | Measurement reference clock input pin |

9.2 Register Descriptions

9.2.1 CAC Control Register 0 (CACR0)

Address(es): CAC.CACR0 4004 4600h



Value after reset: 0 0 0 0 0 0 0 0

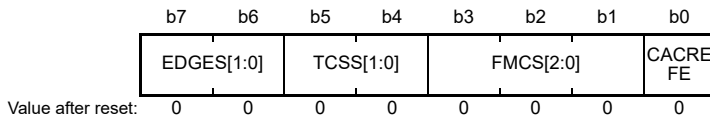
| Bit | Symbol | Bit name | Description | R/W |
|----------|--------|------------------------------------|--------------------------------------------------------|-----|
| b0 | CFME | Clock Frequency Measurement Enable | 0: Disable 1: Enable. | R/W |
| b7 to b1 | — | Reserved | These bits are read as 0. The write value should be 0. | R/W |

CFME bit (Clock Frequency Measurement Enable)

The CFME bit enables or disables the clock frequency measurement. Read the CFME bit to confirm that the bit value has changed. Additional write accesses are ignored before the change is complete.

9.2.2 CAC Control Register 1 (CACR1)

Address(es): CAC.CACR1 4004 4601h



| Bit | Symbol | Bit name | Description | R/W |
|----------|------------|----------------------------------------------------------|--------------------------------------------------------------------------------------------------------------------------------------------------------------------------------------------------------------------------------------|-----|
| b0 | CACREFE | CACREF Pin Input Enable | 0: Disable 1: Enable. | R/W |
| b3 to b1 | FMCS[2:0] | Measurement Target Clock Select | b3 b1 0 0 0: Main clock oscillator 0 0 1: Sub-clock oscillator 0 1 0: HOCO clock 0 1 1: MOCO clock 1 0 0: LOCO clock 1 0 1: Peripheral module clock (PCLKB) 1 1 0: IWDTCCLK clock 1 1 1: Setting prohibited. | R/W |
| b5, b4 | TCSS[1:0] | Measurement Target Clock Frequency Division Ratio Select | b5 b4 0 0: No division 0 1: ×1/4 clock 1 0: ×1/8 clock 1 1: ×1/32 clock. | R/W |
| b7, b6 | EDGES[1:0] | Valid Edge Select | b7 b6 0 0: Rising edge 0 1: Falling edge 1 0: Both rising and falling edges 1 1: Setting prohibited. | R/W |

Note: Set the CACR1 register when the CACR0.CFME bit is 0.

CACREFE bit (CACREF Pin Input Enable)

The CACREFE bit enables or disables the CACREF pin input.

FMCS[2:0] bits (Measurement Target Clock Select)

The FMCS[2:0] bits select the measurement target clock whose frequency is to be measured.

TCSS[1:0] bits (Measurement Target Clock Frequency Division Ratio Select)

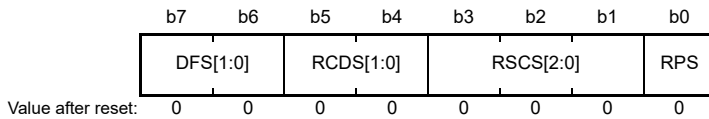
The TCSS[1:0] bits select the division ratio of the measurement target clock.

EDGES[1:0] bits (Valid Edge Select)

The EDGES[1:0] bits select the valid edge for the reference signal.

9.2.3 CAC Control Register 2 (CACR2)

Address(es): CAC.CACR2 4004 4602h



| Bit | Symbol | Bit name | Description | R/W | | | | | | | | | | | | | | | | | | | | | | | | | | | |
|----------|-----------|-------------------------------------------------------------------------------------------|--------------------------------------------------------------------------------------------------------------------------------------------------------------------------------------------------------------------------------------------------------------------------------------------------------------------------------------------------------------------------------------------------------------------------------------------------------------------------------------------------------------------------------------------------------------------------------------------------------------------------------------------------------------------------------------|-----|----|--|---|---|---------------------------|---|---|----------------------------------------------------------------------------|---|---|-----------------------------------------------------------------------------------------|---|---|-------------------------------------------------------------------------------------------|-----|---|---------------|---|---|------------------------------------|---|---|-------------------|---|---|------------------------|-----|
| b0 | RPS | Reference Signal Select | 0: CACREF pin input 1: Internal clock (internally generated signal). | R/W | | | | | | | | | | | | | | | | | | | | | | | | | | | |
| b3 to b1 | RSCS[2:0] | Measurement Reference Clock Select | <table style="font-size: small; border: none;"> <tr> <td style="padding-right: 5px;">b3</td> <td style="padding-right: 5px;">b1</td> <td></td> </tr> <tr> <td>0</td> <td>0</td> <td>0: Main clock oscillator</td> </tr> <tr> <td>0</td> <td>1</td> <td>1: Sub-clock oscillator</td> </tr> <tr> <td>0</td> <td>1</td> <td>0: HOCO clock</td> </tr> <tr> <td>0</td> <td>1</td> <td>1: MOCO clock</td> </tr> <tr> <td>1</td> <td>0</td> <td>0: LOCO clock</td> </tr> <tr> <td>1</td> <td>0</td> <td>1: Peripheral module clock (PCLKB)</td> </tr> <tr> <td>1</td> <td>1</td> <td>0: IWDTCCLK clock</td> </tr> <tr> <td>1</td> <td>1</td> <td>1: Setting prohibited.</td> </tr> </table> | b3 | b1 | | 0 | 0 | 0: Main clock oscillator | 0 | 1 | 1: Sub-clock oscillator | 0 | 1 | 0: HOCO clock | 0 | 1 | 1: MOCO clock | 1 | 0 | 0: LOCO clock | 1 | 0 | 1: Peripheral module clock (PCLKB) | 1 | 1 | 0: IWDTCCLK clock | 1 | 1 | 1: Setting prohibited. | R/W |
| b3 | b1 | | | | | | | | | | | | | | | | | | | | | | | | | | | | | | |
| 0 | 0 | 0: Main clock oscillator | | | | | | | | | | | | | | | | | | | | | | | | | | | | | |
| 0 | 1 | 1: Sub-clock oscillator | | | | | | | | | | | | | | | | | | | | | | | | | | | | | |
| 0 | 1 | 0: HOCO clock | | | | | | | | | | | | | | | | | | | | | | | | | | | | | |
| 0 | 1 | 1: MOCO clock | | | | | | | | | | | | | | | | | | | | | | | | | | | | | |
| 1 | 0 | 0: LOCO clock | | | | | | | | | | | | | | | | | | | | | | | | | | | | | |
| 1 | 0 | 1: Peripheral module clock (PCLKB) | | | | | | | | | | | | | | | | | | | | | | | | | | | | | |
| 1 | 1 | 0: IWDTCCLK clock | | | | | | | | | | | | | | | | | | | | | | | | | | | | | |
| 1 | 1 | 1: Setting prohibited. | | | | | | | | | | | | | | | | | | | | | | | | | | | | | |
| b5, b4 | RCDS[1:0] | Measurement Reference Clock Frequency Division Ratio Select | <table style="font-size: small; border: none;"> <tr> <td style="padding-right: 5px;">b5</td> <td style="padding-right: 5px;">b4</td> <td></td> </tr> <tr> <td>0</td> <td>0</td> <td>×1/32 clock</td> </tr> <tr> <td>0</td> <td>1</td> <td>×1/128 clock</td> </tr> <tr> <td>1</td> <td>0</td> <td>×1/1024 clock</td> </tr> <tr> <td>1</td> <td>1</td> <td>×1/8192 clock.</td> </tr> </table> | b5 | b4 | | 0 | 0 | ×1/32 clock | 0 | 1 | ×1/128 clock | 1 | 0 | ×1/1024 clock | 1 | 1 | ×1/8192 clock. | R/W | | | | | | | | | | | | |
| b5 | b4 | | | | | | | | | | | | | | | | | | | | | | | | | | | | | | |
| 0 | 0 | ×1/32 clock | | | | | | | | | | | | | | | | | | | | | | | | | | | | | |
| 0 | 1 | ×1/128 clock | | | | | | | | | | | | | | | | | | | | | | | | | | | | | |
| 1 | 0 | ×1/1024 clock | | | | | | | | | | | | | | | | | | | | | | | | | | | | | |
| 1 | 1 | ×1/8192 clock. | | | | | | | | | | | | | | | | | | | | | | | | | | | | | |
| b7, b6 | DFS[1:0] | Digital Filter Select | <table style="font-size: small; border: none;"> <tr> <td style="padding-right: 5px;">b7</td> <td style="padding-right: 5px;">b6</td> <td></td> </tr> <tr> <td>0</td> <td>0</td> <td>Disable digital filtering</td> </tr> <tr> <td>0</td> <td>1</td> <td>Use sampling clock for the digital filter as the frequency measuring clock</td> </tr> <tr> <td>1</td> <td>0</td> <td>Use sampling clock for the digital filter as the frequency measuring clock divided by 4</td> </tr> <tr> <td>1</td> <td>1</td> <td>Use sampling clock for the digital filter as the frequency measuring clock divided by 16.</td> </tr> </table> | b7 | b6 | | 0 | 0 | Disable digital filtering | 0 | 1 | Use sampling clock for the digital filter as the frequency measuring clock | 1 | 0 | Use sampling clock for the digital filter as the frequency measuring clock divided by 4 | 1 | 1 | Use sampling clock for the digital filter as the frequency measuring clock divided by 16. | R/W | | | | | | | | | | | | |
| b7 | b6 | | | | | | | | | | | | | | | | | | | | | | | | | | | | | | |
| 0 | 0 | Disable digital filtering | | | | | | | | | | | | | | | | | | | | | | | | | | | | | |
| 0 | 1 | Use sampling clock for the digital filter as the frequency measuring clock | | | | | | | | | | | | | | | | | | | | | | | | | | | | | |
| 1 | 0 | Use sampling clock for the digital filter as the frequency measuring clock divided by 4 | | | | | | | | | | | | | | | | | | | | | | | | | | | | | |
| 1 | 1 | Use sampling clock for the digital filter as the frequency measuring clock divided by 16. | | | | | | | | | | | | | | | | | | | | | | | | | | | | | |

Note: Set the CACR2 register when the CACR0.CFME bit is 0.

RPS bit (Reference Signal Select)

The RPS bit selects whether to use the CACREF pin input or an internal clock (internally generated signal) as the reference signal.

RSCS[2:0] bits (Measurement Reference Clock Select)

The RSCS[2:0] bits select the reference clock for measurement.

RCDS[1:0] bits (Measurement Reference Clock Frequency Division Ratio Select)

The RCDS[1:0] bits select the division ratio of the reference clock when an internal reference clock is selected (RPS = 1). When RPS = 0 (CACREF pin is used as the reference clock source), the reference clock is not divided.

DFS[1:0] bits (Digital Filter Select)

The DFS[1:0] bits enable or disable the digital filter and select its sampling clock.

9.2.4 CAC Interrupt Control Register (CAICR)

Address(es): CAC.CAICR 4004 4603h

| | b7 | b6 | b5 | b4 | b3 | b2 | b1 | b0 |
|--------------------|----|------------|-------------|-------------|----|-------|------------|------------|
| | — | OVFFC L | MENDF CL | FERRF CL | — | OVFIE | MENDI E | FERRI E |
| Value after reset: | 0 | 0 | 0 | 0 | 0 | 0 | 0 | 0 |

| Bit | Symbol | Bit name | Description | R/W |
|-----|----------------|------------------------------------------|----------------------------------------------------------------------------------------------|-----|
| b0 | FERRIE | Frequency Error Interrupt Request Enable | 0: Disable frequency error interrupt request 1: Enable frequency error interrupt request. | R/W |
| b1 | MENDIE | Measurement End Interrupt Request Enable | 0: Disable measurement end interrupt request 1: Enable measurement end interrupt request. | R/W |
| b2 | OVFIE | Overflow Interrupt Request Enable | 0: Disable overflow interrupt request 1: Enable overflow interrupt request. | R/W |
| b3 | — | Reserved | This bit is read as 0. The write value should be 0. | R/W |
| b4 | FERRFCL | FERRF Clear | When 1 is written to this bit, the FERRF flag is cleared. This bit is read as 0. | R/W |
| b5 | MENDFCL | MENDF Clear | When 1 is written to this bit, the MENDF flag is cleared. This bit is read as 0. | R/W |
| b6 | OVFFCL | OVFF Clear | When 1 is written to this bit, the OVFF flag is cleared. This bit is read as 0. | R/W |
| b7 | — | Reserved | This bit is read as 0. The write value should be 0. | R/W |

FERRIE bit (Frequency Error Interrupt Request Enable)

The FERRIE bit enables or disables the frequency error interrupt request.

MENDIE bit (Measurement End Interrupt Request Enable)

The MENDIE bit enables or disables the measurement end interrupt request.

OVFIE bit (Overflow Interrupt Request Enable)

The OVFIE bit enables or disables the overflow interrupt request.

FERRFCL bit (FERRF Clear)

Setting the FERRFCL bit to 1 clears the FERRF flag.

MENDFCL bit (MENDF Clear)

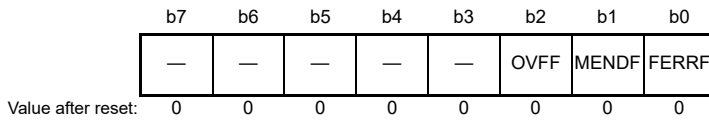
Setting the MENDFCL bit to 1 clears the MENDF flag.

OVFFCL bit (OVFF Clear)

Setting the OVFFCL bit to 1 clears the OVFF flag.

9.2.5 CAC Status Register (CASTR)

Address(es): CAC.CASTR 4004 4604h



| Bit | Symbol | Bit name | Description | R/W |
|----------|--------|----------------------|-----------------------------------------------------------------------------------------------------------------------------------|-----|
| b0 | FERRF | Frequency Error Flag | 0: Clock frequency is within the allowable range 1: Clock frequency has deviated beyond the allowable range (frequency error). | R |
| b1 | MENDF | Measurement End Flag | 0: Measurement is in progress 1: Measurement ended. | R |
| b2 | OVFF | Overflow Flag | 0: The counter has not overflowed 1: The counter overflowed. | R |
| b7 to b3 | — | Reserved | These bits are read as 0 | R |

FERRF flag (Frequency Error Flag)

The FERRF flag indicates a deviation of the clock frequency from the set value (frequency error).

[Setting condition]

- The clock frequency is outside the allowable range defined in the CAULVR and CALLVR registers.

[Clearing condition]

- 1 is written to the FERRFCL bit.

MENDF flag (Measurement End Flag)

The MENDF flag indicates the end of measurement.

[Setting condition]

- Measurement ends.

[Clearing condition]

- 1 is written to the MENDFCL bit.

OVFF flag (Overflow Flag)

The OVFF flag indicates that the counter overflowed.

[Setting condition]

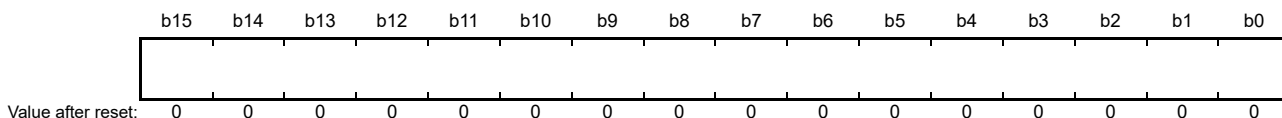
- The counter overflows.

[Clearing condition]

- 1 is written to the OVFFCL bit.

9.2.6 CAC Upper-Limit Value Setting Register (CAULVR)

Address(es): CAC.CAULVR 4004 4606h

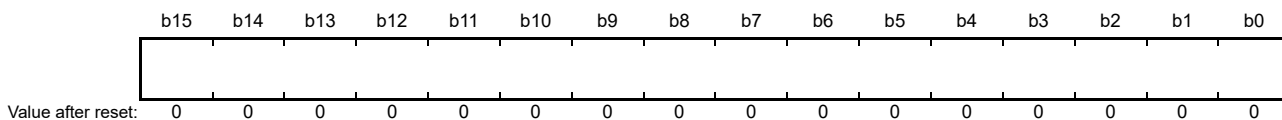


CAULVR is a 16-bit read/write register that specifies the upper value of the allowable range. When the counter value rises above the value specified in this register, a frequency error is detected. Write to this register when the CACR0.CFME bit is 0.

The counter value stored in CACNTBR can vary depending on the difference between the phases of the digital filter and edge-detection circuit, and the signal on the CACREF pin. Ensure that this setting allows an adequate margin.

9.2.7 CAC Lower-Limit Value Setting Register (CALLVR)

Address(es): CAC.CALLVR 4004 4608h



CALLVR is a 16-bit read/write register that specifies the lower value of the allowable range. When the counter value falls below the value specified in this register, a frequency error is detected. Write to this register when the CACR0.CFME bit is 0.

The counter value stored in CACNTBR can vary depending on the difference between the phases of the digital filter and edge-detection circuit, and the signal on the CACREF pin. Ensure that this setting allows an adequate margin.

9.2.8 CAC Counter Buffer Register (CACNTBR)

Address(es): CAC.CACNTBR 4004 460Ah



CACNTBR is a 16-bit read-only register that retains the measurement result.

9.3 Operation

9.3.1 Measuring Clock Frequency

The CAC measures the clock frequency with the CACREF pin input or the internal clock as a reference. [Figure 9.2](#) shows an operating example of the CAC.

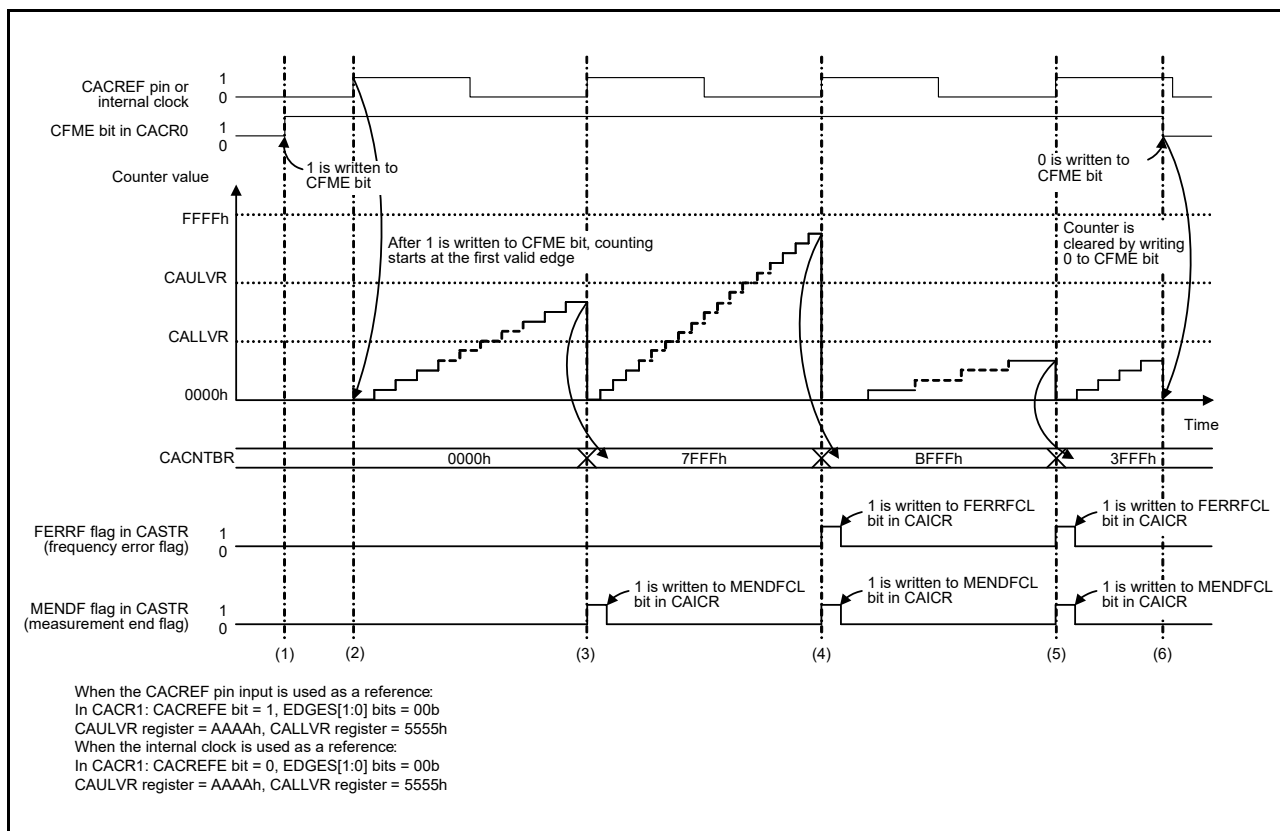


Figure 9.2 CAC operating example

1. Before writing 1 to CACR0.CFME, set CACR1 and CACR2 to define the measurement target clock and measurement reference clock. Writing 1 to the CACR0.CFME bit enables clock frequency measurement.
2. The timer starts counting up if the valid edge selected in the CACR1.EDGES[1:0] bits is input from the measurement reference clock. The valid edge is a rising edge (CACR1.EDGES[1:0] = 00b) as shown in Figure 9.2.
3. When the next valid edge is input, the counter value is transferred to CACNTBR and compared with the values in CAULVR and CALLVR. If both $CACNTBR \leq CAULVR$ and $CACNTBR \geq CALLVR$ are true, only the MENDF flag in CASTR is set to 1 because the clock frequency is correct. If the MENDIE bit in CAICR is 1, a measurement end interrupt is generated.
4. When the next valid edge is input, the counter value is transferred to CACNTBR and compared with the values in CAULVR and CALLVR. If $CACNTBR > CAULVR$, the FERRF flag in CASTR is set to 1 because the clock frequency is erroneous. If the FERRIE bit in CAICR is 1, a frequency error interrupt is generated. The MENDF flag in CASTR is set to 1 at the end of measurement. If the MENDIE bit in CAICR is 1, a measurement end interrupt is generated.
5. When the next valid edge is input, the counter value is transferred to CACNTBR and compared with the values in CAULVR and CALLVR. If $CACNTBR < CALLVR$, the FERRF flag in CASTR is set to 1 because the clock frequency is erroneous. If the FERRIE bit in CAICR is 1, a frequency error interrupt is generated. The MENDF flag in CASTR is set to 1 at the end of measurement. If the MENDIE bit in CAICR is 1, a measurement end interrupt is generated.
6. When the CFME bit in CACR0 is 1, the counter value is transferred to CACNTBR and compared with the values in CAULVR and CALLVR every time a valid edge is input. When the CFME bit is set to 0 in CACR0, the counter is cleared and stops counting up.

9.3.2 Digital Filtering of Signals on CACREF Pin

The CACREF pin has a digital filter and levels on CACREF pin are transmitted to the internal circuitry after three consecutive matches in the selected sampling interval. The same level continues to be transmitted internally until the level on the pin has three consecutive matches again. Enabling or disabling of the digital filter and its sampling clock are

selectable.

The counter value transferred to CACNTBR might be in error by up to 1 cycle of the sampling clock because of the difference between the phases of the digital filter and the signal input to the CACREF pin. When a frequency dividing clock is selected as a count source clock, the counter value error is obtained using the following formula:

Counter value error = (1 cycle of the count source clock) / (1 cycle of the sampling clock)

9.4 Interrupt Requests

The CAC generates three types of interrupt requests:

- Frequency error interrupt
- Measurement end interrupt
- Overflow interrupt.

When an interrupt source is generated, the associated status flag becomes 1. [Table 9.3](#) provides information on the CAC interrupt requests.

Table 9.3 CAC interrupt requests

| Interrupt request | Interrupt enable bit | Status flag | Interrupt source |
|---------------------------|----------------------|-------------|----------------------------------------------------------------------------------------------------------------------------------------------------------------------------------------------------------------------------------|
| Frequency error interrupt | CAICR.FERRIE | CASTR.FERRF | The result of comparing CACNTBR with CAULVR and CALLVR is either CACNTBR > CAULVR or CACNTBR < CALLVR |
| Measurement end interrupt | CAICR.MENDIE | CASTR.MENDF | <ul style="list-style-type: none"> • Valid edge is input from the CACREF pin or internal clock • Measurement end interrupt does not occur at the first valid edge after writing 1 to the CACR0.CFME bit. |
| Overflow interrupt | CAICR.OVFIE | CASTR.OVFF | The counter overflows |

9.5 Usage Note

9.5.1 Module-Stop Function Setting

The CAC operation can be disabled or enabled with the Module Stop Control Register C (MSTPCRC). The CAC module is initially stopped after reset. Releasing the module-stop state enables access to the registers. See [section 10, Low Power Modes](#) for details.

10. Low Power Modes

10.1 Overview

The MCU provides several functions for reducing power consumption, such as setting clock dividers, stopping modules, selecting power control mode in normal mode, and transitioning to low power modes.

[Table 10.1](#) lists the specifications of the low power mode functions. [Table 10.2](#) lists the conditions to transition to low power modes, the states of the CPU and peripheral modules, and the method for canceling each mode. After a reset, the MCU enters the program execution state, but only the DMAC, DTC, and SRAM operate.

Table 10.1 Specifications of low power mode functions

| Parameter | Specification |
|-------------------------------------------------------|-----------------------------------------------------------------------------------------------------------------------------------------------------------------------------------------------------------------------------------------------------------------------------------------------------------------------------------------------------------------------------------------------------------------------|
| Reducing power consumption by switching clock signals | Frequency division ratio can be selected independently for the system clock (ICLK), peripheral module clock (PCLKA, PCLKB, PCLKC, PCLKD), and flash interface clock (FCLK)*1 |
| Module-stop | Peripheral module functions can be stopped independently |
| Low power modes | <ul style="list-style-type: none"> • Sleep mode • Software Standby mode • Snooze mode. |
| Power control modes | Power consumption can be reduced in Normal, Sleep, and Snooze modes by selecting an appropriate operating power control mode according to the operating frequency and voltage. Five operating power control modes are available: <ul style="list-style-type: none"> • High-speed mode • Middle-speed mode • Low-speed mode • Low-voltage mode • Subosc-speed mode. |

Note 1. For details, see [section 8, Clock Generation Circuit](#).

Table 10.2 Operating conditions of each low power mode (1 of 2)

| Parameter | Sleep mode | Software Standby mode | Snooze mode*1 |
|------------------------------------------|--------------------------------------------------|-----------------------------------------------------------------------------------|-----------------------------------------------------------------------------------|
| Transition condition | WFI instruction while SBYCR.SSBY = 0 | WFI instruction while SBYCR.SSBY = 1 | Snooze request in Software Standby mode. SNZCR.SNZE = 1. |
| Canceling method | All interrupts. Any reset available in the mode. | Interrupts shown in Table 10.3 . Any reset available in the mode. | Interrupts shown in Table 10.3 . Any reset available in the mode. |
| State after cancellation by an interrupt | Program execution state (interrupt processing) | Program execution state (interrupt processing) | Program execution state (interrupt processing) |
| State after cancellation by a reset | Reset state | Reset state | Reset state |
| Main clock oscillator | Selectable | Stop | Selectable*2 |
| Sub-clock oscillator | Selectable | Selectable | Selectable |
| High-speed on-chip oscillator | Selectable | Stop | Selectable |
| Middle-speed on-chip oscillator | Selectable | Stop | Selectable |
| Low-speed on-chip oscillator | Selectable | Selectable | Selectable |
| IWDT-dedicated on-chip oscillator | Selectable*4 | Selectable*4 | Selectable*4 |
| PLL | Selectable | Stop | Selectable*2 |
| Oscillation stop detection function | Selectable | Operation prohibited | Operation prohibited |
| Clock/buzzer output function | Selectable | Selectable*3 | Selectable |
| CPU | Stop (Retained) | Stop (Retained) | Stop (Retained) |
| SRAM (ECC SRAM included) | Selectable | Stop (Retained) | Selectable |
| Flash memory | Operating | Stop (Retained) | Stop (Retained) |
| DMA Controller (DMAC) | Selectable | Stop (Retained) | Operation prohibited |

Table 10.2 Operating conditions of each low power mode (2 of 2)

| Parameter | Sleep mode | Software Standby mode | Snooze mode*1 |
|-----------------------------------------------------|--------------|-----------------------|------------------------|
| Data Transfer Controller (DTC) | Selectable | Stop (Retained) | Selectable |
| USB 2.0 Full-Speed Module (USBFS) | Selectable | Stop (Retained)*5 | Operation prohibited*5 |
| Watchdog Timer (WDT) | Selectable*4 | Stop (Retained) | Stop (Retained) |
| Independent Watchdog Timer (IWDT) | Selectable*4 | Selectable*4 | Selectable*4 |
| Realtime Clock (RTC) | Selectable | Selectable | Selectable |
| Asynchronous General Purpose Timer (AGTn, n = 0, 1) | Selectable | Selectable*6 | Selectable*6 |
| 14-bit A/D Converter (ADC14) | Selectable | Stop (Retained) | Selectable*11 |
| 12-bit D/A Converter (DAC12) | Selectable | Stop (Retained) | Selectable |
| Capacitive Touch Sensing Unit (CTSU) | Selectable | Stop (Retained) | Selectable |
| Segment LCD Controller (SLCDC) | Selectable | Selectable*7 | Selectable |
| Data Operation Circuit (DOC) | Selectable | Stop (Retained) | Selectable |
| Serial Communications Interface (SCI0) | Selectable | Stop (Retained) | Selectable*10 |
| Serial Communications Interface (SCIn, n = 1, 2, 9) | Selectable | Stop (Retained) | Operation prohibited |
| I ² C Bus Interface (IIC0) | Selectable | Selectable | Selectable |
| I ² C Bus Interface (IIC1) | Selectable | Stop (Retained) | Operation prohibited |
| Event Link Controller (ELC) | Selectable | Stop (Retained) | Selectable*8 |
| Low-Power Analog Comparator (ACMPLP0) | Selectable | Selectable*9 | Selectable*9 |
| Low-Power Analog Comparator (ACMPLP1) | Selectable | Selectable*9 | Selectable*9 |
| Operational Amplifier (OPAMP) | Selectable | Selectable | Selectable |
| NMI, IRQn (n = 0 to 12, 14, 15) pin interrupt | Selectable | Selectable | Selectable |
| Key Interrupt Function (KINT) | Selectable | Selectable | Selectable |
| Low Voltage Detection (LVD) | Selectable | Selectable | Selectable |
| Power-on reset circuit | Operating | Operating | Operating |
| Other peripheral modules | Selectable | Stop (Retained) | Operation prohibited |
| I/O ports | Operating | Retained | Operating |

Note: Selectable means that operating or not operating can be selected in the control registers.

Stop (Retained) means that the contents of the internal registers are retained but the operations are suspended.

Operation prohibited means that the function must be stopped before entering Software Standby mode.

Note 1. All modules whose module-stop bits are 0 start as soon as PCLKs are supplied after entering Snooze mode. To avoid an increase in power consumption in Snooze mode, set the module-stop bit of modules that are not required in Snooze mode to 1 before entering Software Standby mode.

Note 2. When using SCI0 in Snooze mode, MOSCCR.MOSTP and PLLCR.PLLSTP bits must be 1.

Note 3. Stopped when the Clock Output Source Select bits (CKOCR.CKOSEL[2:0]) are set to a value other than 010b (LOCO) and 100b (SOSC).

Note 4. In IWDT-dedicated on-chip oscillator and IWDT, operating or stopping is selected by setting the IWDT Stop Control bit (IWDTSTPCTL) in the Option Function Select Register 0 (OFS0) in IWDT auto-start mode. In WDT, operating or stopping is selected by setting the WDT Stop Control bit (WDTSTPCTL) in the Option Function Select Register 0 (OFS0) in WDT auto-start mode.

Note 5. Detection of USBFS resumption is possible.

Note 6. AGT0 operation is possible when 100b (LOCO) or 110b (SOSC) is selected in the AGT0.AGTMR1.TCK[2:0] bits. AGT1 operation is possible when 100b (LOCO), 110b (SOSC), or 101 (underflow event signal from AGT0) is selected in the AGT1.AGTMR1.TCK[2:0] bits.

Note 7. Operation is possible when 000b (LOCO) or 001b (SOSC) is selected in the SLCDSCPCR.LCDSCKSEL[2:0] bits. Stopping is selected when the SLCDSCPCR.LCDSCKSEL[2:0] bits are set to a value other than 000b or 001b.

Note 8. Event lists the restrictions described in [section 10.9.13, ELC Event in Snooze Mode](#).

Note 9. Only VCOOUT function is permitted. The VCOOUT pin operates when ACMPLP uses no digital filter. For details on digital filter, see [section 39, Low-Power Analog Comparator \(ACMPLP\)](#).

Note 10. Serial communication of SCI0 is only in asynchronous mode.

Note 11. When using the ADC14 in Snooze mode, ADCMPCR.CMPAE or ADCMPCR.CMPBE bit must be 1.

Table 10.3 Interrupt sources to transition to Normal mode from Snooze mode and Software Standby mode

| Interrupt source | Name | Software Standby mode | Snooze mode |
|------------------|---------------------------------|-----------------------|----------------------|
| NMI | | Yes | Yes |
| VBATT | VBATT_LVD | Yes | Yes |
| Port | PORT_IRQn (n = 0 to 12, 14, 15) | Yes | Yes |
| LVD | LVD_LVD1 | Yes | Yes |
| | LVD_LVD2 | Yes | Yes |
| IWDT | IWDT_NMIUNDF | Yes | Yes |
| USBFS | USBFS_USBR | Yes | Yes |
| RTC | RTC_ALM | Yes | Yes |
| | RTC_PRD | Yes | Yes |
| KINT | KEY_INTKR | Yes | Yes |
| AGT1 | AGT1_AGTI | Yes | Yes*3 |
| | AGT1_AGTCMAI | Yes | Yes |
| | AGT1_AGTCMBI | Yes | Yes |
| ACMPLP | ACMP_LP0 | Yes | Yes |
| IIC0 | IIC0_WUI | Yes | Yes |
| ADC140 | ADC140_WCMPPM | No | Yes with SELSR0*1,*3 |
| | ADC140_WCMPUM | No | Yes with SELSR0*1,*3 |
| SCIO | SCIO_AM | No | Yes with SELSR0*1,*2 |
| | SCIO_RXI_OR_ERI | No | Yes with SELSR0*1,*2 |
| DTC | DTC_COMPLETE | No | Yes with SELSR0*1,*3 |
| DOC | DOC_DOPCI | No | Yes with SELSR0*1 |
| CTSU | CTSU_CTSUFN | No | Yes with SELSR0*1 |

Note 1. To use the interrupt request as a trigger for exiting Snooze mode, the request must be selected in SELSR0. See [section 13, Interrupt Controller Unit \(ICU\)](#). When a trigger selected in SELSR0 occurs after executing a WFI instruction and during the transition from Normal mode to Software Standby mode, whether the request can be accepted depends on the timing of the occurrence.

Note 2. Only one of either SCIO_AM or SCIO_RXI_OR_ERI can be selected.

Note 3. The event that is enabled by SNZEDCR must not be used.

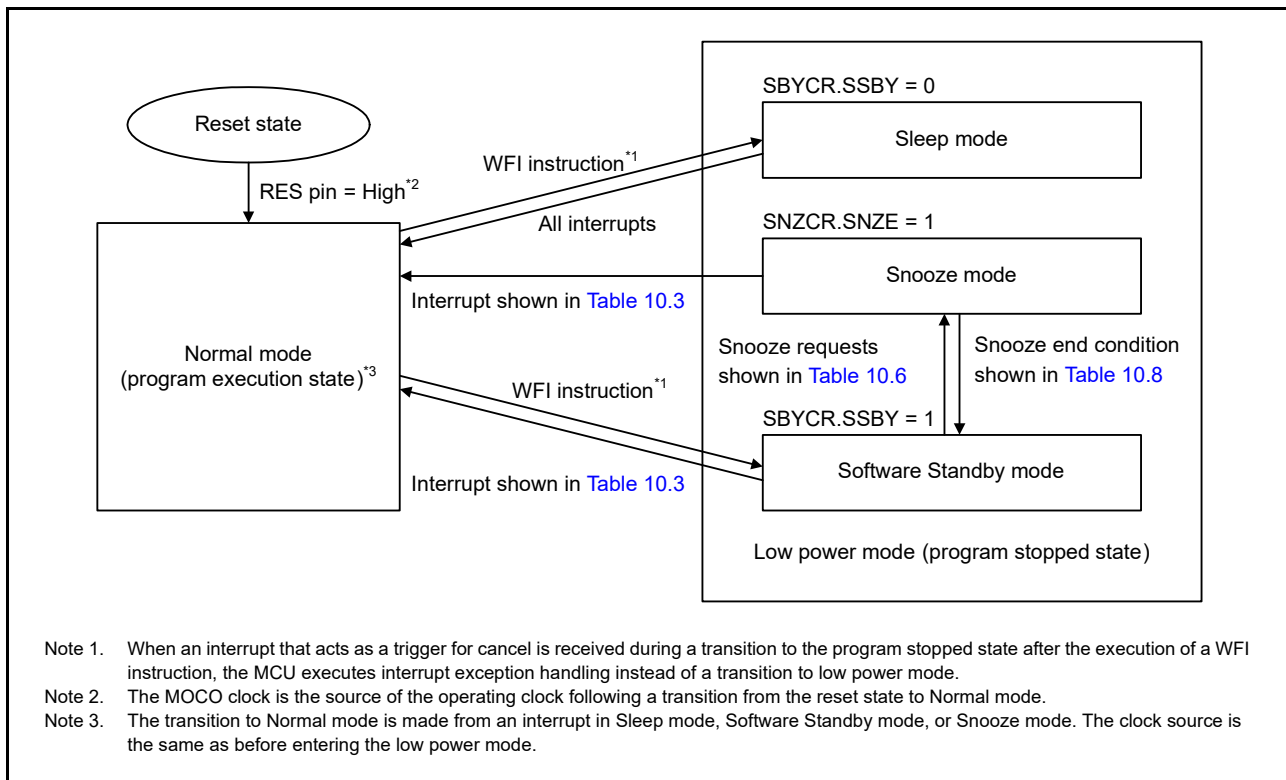


Figure 10.1 Mode transitions

10.2 Register Descriptions

10.2.1 Standby Control Register (SBYCR)

Address(es): SYSTEM.SBYCR 4001 E00Ch

| | | | | | | | | | | | | | | | | |
|--------------------|------|-----|-----|-----|-----|-----|----|----|----|----|----|----|----|----|----|----|
| | b15 | b14 | b13 | b12 | b11 | b10 | b9 | b8 | b7 | b6 | b5 | b4 | b3 | b2 | b1 | b0 |
| | SSBY | — | — | — | — | — | — | — | — | — | — | — | — | — | — | — |
| Value after reset: | 0 | 1 | 0 | 0 | 0 | 0 | 0 | 0 | 0 | 0 | 0 | 0 | 0 | 0 | 0 | 0 |

| Bit | Symbol | Bit name | Description | R/W |
|-----------|--------|------------------|--------------------------------------------------------|-----|
| b13 to b0 | — | Reserved | These bits are read as 0. The write value should be 0. | R/W |
| b14 | — | Reserved | This bit is read as 1. The write value should be 1. | R/W |
| b15 | SSBY | Software Standby | 0: Sleep mode 1: Software Standby mode. | R/W |

SSBY bit (Software Standby)

The SSBY bit specifies the transition destination after a WFI instruction is executed.

When the SSBY bit is set to 1, the MCU enters Software Standby mode after execution of a WFI instruction. When the MCU returns to Normal mode from Software Standby mode due to an interrupt, SSBY bit remains 1. The SSBY bit can be cleared by writing 0 to it.

When the OSTDCR.OSTDE bit is 1, the setting of SSBY bit is ignored. Even if SSBY bit is 1, the MCU enters Sleep mode on execution of a WFI instruction.

When the FENTRYR.FENTRY0 bit is 1 or the FENTRYR.FENTRYD bit is 1, the setting of SSBY bit is ignored. Even if SSBY bit is 1, the MCU enters Sleep mode on execution of a WFI instruction.

10.2.2 Module Stop Control Register A (MSTPCRA)

Address(es): SYSTEM.MSTPCRA 4001 E01Ch

| | | | | | | | | | | | | | | | | |
|--------------------|-----|-----|-----|-----|-----|-----|-----|-----|-----|-------------|-----|-----|-----|-----|-----|------------|
| | b31 | b30 | b29 | b28 | b27 | b26 | b25 | b24 | b23 | b22 | b21 | b20 | b19 | b18 | b17 | b16 |
| | — | — | — | — | — | — | — | — | — | MSTPA 22 | — | — | — | — | — | — |
| Value after reset: | 1 | 1 | 1 | 1 | 1 | 1 | 1 | 1 | 1 | 0 | 1 | 1 | 1 | 1 | 1 | 1 |
| | b15 | b14 | b13 | b12 | b11 | b10 | b9 | b8 | b7 | b6 | b5 | b4 | b3 | b2 | b1 | b0 |
| | — | — | — | — | — | — | — | — | — | MSTPA 6 | — | — | — | — | — | MSTPA 0 |
| Value after reset: | 1 | 1 | 1 | 1 | 1 | 1 | 1 | 1 | 1 | 0 | 1 | 1 | 1 | 1 | 1 | 0 |

| Bit | Symbol | Bit name | Description | R/W |
|------------|---------|-------------------------------------------------------|-----------------------------------------------------------------------------------------------|-----|
| b0 | MSTPA0 | SRAM0 Module Stop*1 | Target module: SRAM0 0: Cancel the module-stop state 1: Enter the module-stop state. | R/W |
| b5 to b1 | — | Reserved | These bits are read as 1. The write value should be 1. | R/W |
| b6 | MSTPA6 | ECCSRAM Module Stop*1 | Target module: ECCSRAM 0: Cancel the module-stop state 1: Enter the module-stop state. | R/W |
| b21 to b7 | — | Reserved | These bits are read as 1. The write value should be 1. | R/W |
| b22 | MSTPA22 | DMA Controller/Data Transfer Controller Module Stop*2 | Target module: DMAC/DTC 0: Cancel the module-stop state 1: Enter the module-stop state. | R/W |
| b31 to b23 | — | Reserved | These bits are read as 1. The write value should be 1. | R/W |

Note 1. The MSTPA0 and MSTPA6 bit settings must be the same.

Note 2. When rewriting the MSTPA22 bit from 0 to 1, disable the DMAC and DTC before setting the MSTPA22 bit.

10.2.3 Module Stop Control Register B (MSTPCRB)

Address(es): MSTP.MSTPCRB 4004 7000h

| | | | | | | | | | | | | | | | | |
|--------------------|-------------|-------------|-------------|-----|-------------|-----|------------|------------|-----|-------------|-----|-----|-------------|-------------|-----|-----|
| | b31 | b30 | b29 | b28 | b27 | b26 | b25 | b24 | b23 | b22 | b21 | b20 | b19 | b18 | b17 | b16 |
| | MSTPB 31 | MSTPB 30 | MSTPB 29 | — | — | — | — | — | — | MSTPB 22 | — | — | MSTPB 19 | MSTPB 18 | — | — |
| Value after reset: | 1 | 1 | 1 | 1 | 1 | 1 | 1 | 1 | 1 | 1 | 1 | 1 | 1 | 1 | 1 | 1 |
| | b15 | b14 | b13 | b12 | b11 | b10 | b9 | b8 | b7 | b6 | b5 | b4 | b3 | b2 | b1 | b0 |
| | — | — | — | — | MSTPB 11 | — | MSTPB 9 | MSTPB 8 | — | — | — | — | — | MSTPB 2 | — | — |
| Value after reset: | 1 | 1 | 1 | 1 | 1 | 1 | 1 | 1 | 1 | 1 | 1 | 1 | 1 | 1 | 1 | 1 |

| Bit | Symbol | Bit name | Description | R/W |
|----------|--------|----------------------------------------------|-------------------------------------------------------------------------------------------|-----|
| b1, b0 | — | Reserved | These bits are read as 1. The write value should be 1. | R/W |
| b2 | MSTPB2 | Controller Area Network Module Stop*1 | Target module: CAN0 0: Cancel the module-stop state 1: Enter the module-stop state. | R/W |
| b7 to b3 | — | Reserved | These bits are read as 1. The write value should be 1. | R/W |
| b8 | MSTPB8 | I ² C Bus Interface 1 Module Stop | Target module: IIC1 0: Cancel the module-stop state 1: Enter the module-stop state. | R/W |

| Bit | Symbol | Bit name | Description | R/W |
|------------|---------|-------------------------------------------------------------|--------------------------------------------------------------------------------------------|-----|
| b9 | MSTPB9 | I ² C Bus Interface 0 Module Stop | Target module: IIC0 0: Cancel the module-stop state 1: Enter the module-stop state. | R/W |
| b10 | — | Reserved | This bit is read as 1. The write value should be 1. | R/W |
| b11 | MSTPB11 | Universal Serial Bus 2.0 Full-Speed Interface Module Stop*2 | Target module: USBFS 0: Cancel the module-stop state 1: Enter the module-stop state. | R/W |
| b17 to b12 | — | Reserved | These bits are read as 1. The write value should be 1. | R/W |
| b18 | MSTPB18 | Serial Peripheral Interface 1 Module Stop | Target module: SPI1 0: Cancel the module-stop state 1: Enter the module-stop state. | R/W |
| b19 | MSTPB19 | Serial Peripheral Interface 0 Module Stop | Target module: SPI0 0: Cancel the module-stop state 1: Enter the module-stop state. | R/W |
| b21, b20 | — | Reserved | These bits are read as 1. The write value should be 1. | R/W |
| b22 | MSTPB22 | Serial Communication Interface 9 Module Stop | Target module: SCI9 0: Cancel the module-stop state 1: Enter the module-stop state. | R/W |
| b28 to b23 | — | Reserved | These bits are read as 1. The write value should be 1. | R/W |
| b29 | MSTPB29 | Serial Communication Interface 2 Module Stop | Target module: SCI2 0: Cancel the module-stop state 1: Enter the module-stop state. | R/W |
| b30 | MSTPB30 | Serial Communication Interface 1 Module Stop | Target module: SCI1 0: Cancel the module-stop state 1: Enter the module-stop state. | R/W |
| b31 | MSTPB31 | Serial Communication Interface 0 Module Stop | Target module: SCI0 0: Cancel the module-stop state 1: Enter the module-stop state. | R/W |

Note 1. The MSTPB2 bit must be written while the oscillation of the clock controlled by this bit is stable. To enter Software Standby mode after writing this bit, wait for 2 CAN clock (CANMCLK) cycles after writing, then execute a WFI instruction.

Note 2. To enter Software Standby mode after writing the MSTPB11 bit, wait for 2 USB clock (UCLK) cycles after writing, then execute a WFI instruction.

10.2.4 Module Stop Control Register C (MSTPCRC)

Address(es): MSTP.MSTPCRC 4004 7004h

| | | | | | | | | | | | | | | | | |
|--------------------|---------|---------|---------|-----|-----|-----|-----|--------|-----|-----|-----|--------|--------|-----|--------|--------|
| | b31 | b30 | b29 | b28 | b27 | b26 | b25 | b24 | b23 | b22 | b21 | b20 | b19 | b18 | b17 | b16 |
| | MSTPC31 | — | — | — | — | — | — | — | — | — | — | — | — | — | — | — |
| Value after reset: | 1 | 1 | 1 | 1 | 1 | 1 | 1 | 1 | 1 | 1 | 1 | 1 | 1 | 1 | 1 | 1 |
| | b15 | b14 | b13 | b12 | b11 | b10 | b9 | b8 | b7 | b6 | b5 | b4 | b3 | b2 | b1 | b0 |
| | — | MSTPC14 | MSTPC13 | — | — | — | — | MSTPC8 | — | — | — | MSTPC4 | MSTPC3 | — | MSTPC1 | MSTPC0 |
| Value after reset: | 1 | 1 | 1 | 1 | 1 | 1 | 1 | 1 | 1 | 1 | 1 | 1 | 1 | 1 | 1 | 1 |

| Bit | Symbol | Bit name | Description | R/W |
|-----|--------|------------------------------------------------------------|------------------------------------------------------------------------------------------|-----|
| b0 | MSTPC0 | Clock Frequency Accuracy Measurement Circuit Module Stop*1 | Target module: CAC 0: Cancel the module-stop state 1: Enter the module-stop state. | R/W |
| b1 | MSTPC1 | Cyclic Redundancy Check Calculator Module Stop | Target module: CRC 0: Cancel the module-stop state 1: Enter the module-stop state. | R/W |

| Bit | Symbol | Bit name | Description | R/W |
|------------|-------------------------|---------------------------------------------|--------------------------------------------------------------------------------------------|-----|
| b2 | — | Reserved | This bit is read as 1. The write value should be 1. | R/W |
| b3 | MSTPC3 | Capacitive Touch Sensing Unit Module Stop | Target module: CTSU 0: Cancel the module-stop state 1: Enter the module-stop state. | R/W |
| b4 | MSTPC4 | Segment LCD Controller Module Stop | Target module: SLCDC 0: Cancel the module-stop state 1: Enter the module-stop state. | R/W |
| b7 to b5 | — | Reserved | These bits are read as 1. The write value should be 1. | R/W |
| b8 | MSTPC8 | Serial Sound Interface Enhanced Module Stop | Target module: SSIE0 0: Cancel the module-stop state 1: Enter the module-stop state. | R/W |
| b12 to b9 | — | Reserved | These bits are read as 1. The write value should be 1. | R/W |
| b13 | MSTPC13 | Data Operation Circuit Module Stop | Target module: DOC 0: Cancel the module-stop state 1: Enter the module-stop state. | R/W |
| b14 | MSTPC14 | Event Link Controller Module Stop | Target module: ELC 0: Cancel the module-stop state 1: Enter the module-stop state. | R/W |
| b30 to b15 | — | Reserved | These bits are read as 1. The write value should be 1. | R/W |
| b31 | MSTPC31 | SCE5 Module Stop*2 | Target module: SCE5 0: Cancel the module-stop state 1: Enter the module-stop state. | R/W |

Note 1. The MSTPC0 bit must be written while the oscillation of the clock to be controlled by this bit is stable. To enter Software Standby mode after writing to this bit, wait for 2 cycles of the slowest clock from the clocks output by the oscillators, then execute a WFI instruction.

Note 2. Set the MSTPC31 bit to 0 at the beginning of the program to initialize an unused circuit even if the SCE5 is not used in this MCU. See [section 10.9.15, Module-Stop Function for an Unused Circuit](#).

10.2.5 Module Stop Control Register D (MSTPCRD)

Address(es): [MSTP.MSTPCRD 4004 7008h](#)

| | b31 | b30 | b29 | b28 | b27 | b26 | b25 | b24 | b23 | b22 | b21 | b20 | b19 | b18 | b17 | b16 |
|--------------------|-------------|-------------|-------------|-----|-----|-----|-----|-----|-----|------------|------------|-------------|-------------|------------|-----|-------------|
| | MSTPD 31 | — | MSTPD 29 | — | — | — | — | — | — | — | — | MSTPD 20 | MSTPD 19 | — | — | MSTPD 16 |
| Value after reset: | 1 | 1 | 1 | 1 | 1 | 1 | 1 | 1 | 1 | 1 | 1 | 1 | 1 | 1 | 1 | 1 |
| | b15 | b14 | b13 | b12 | b11 | b10 | b9 | b8 | b7 | b6 | b5 | b4 | b3 | b2 | b1 | b0 |
| | — | MSTPD 14 | — | — | — | — | — | — | — | MSTPD 6 | MSTPD 5 | — | MSTPD 3 | MSTPD 2 | — | — |
| Value after reset: | 1 | 1 | 1 | 1 | 1 | 1 | 1 | 1 | 1 | 1 | 1 | 1 | 1 | 1 | 1 | 1 |

| Bit | Symbol | Bit name | Description | R/W |
|--------|------------------------|----------------------------------------------------|-------------------------------------------------------------------------------------------------------|-----|
| b1, b0 | — | Reserved | These bits are read as 1. The write value should be 1. | R/W |
| b2 | MSTPD2 | Asynchronous General Purpose Timer 1 Module Stop*1 | Target module: AGT1 0: Cancel the module-stop state 1: Enter the module-stop state. | R/W |
| b3 | MSTPD3 | Asynchronous General Purpose Timer 0 Module Stop*2 | Target module: AGT0 0: Cancel the module-stop state 1: Enter the module-stop state. | R/W |
| b4 | — | Reserved | This bit is read as 1. The write value should be 1. | R/W |
| b5 | MSTPD5 | General PWM Timer 321 to 320 Module Stop | Target module: GPT321 to GPT320 0: Cancel the module-stop state 1: Enter the module-stop state. | R/W |

| Bit | Symbol | Bit name | Description | R/W |
|------------|-------------------------|------------------------------------------|-------------------------------------------------------------------------------------------------------|-----|
| b6 | MSTPD6 | General PWM Timer 167 to 162 Module Stop | Target module: GPT167 to GPT162 0: Cancel the module-stop state 1: Enter the module-stop state. | R/W |
| b13 to b7 | — | Reserved | These bits are read as 1. The write value should be 1. | R/W |
| b14 | MSTPD14 | Port Output Enable for GPT Module Stop | Target module: POEG 0: Cancel the module-stop state 1: Enter the module-stop state. | R/W |
| b15 | — | Reserved | This bit is read as 1. The write value should be 1. | R/W |
| b16 | MSTPD16 | 14-Bit A/D Converter Module Stop | Target module: ADC140 0: Cancel the module-stop state 1: Enter the module-stop state. | R/W |
| b18, b17 | — | Reserved | These bits are read as 1. The write value should be 1. | R/W |
| b19 | MSTPD19 | 8-Bit D/A Converter Module Stop*3 | Target module: DAC8 0: Cancel the module-stop state 1: Enter the module-stop state. | R/W |
| b20 | MSTPD20 | 12-Bit D/A Converter Module Stop | Target module: DAC12 0: Cancel the module-stop state 1: Enter the module-stop state. | R/W |
| b28 to b21 | — | Reserved | These bits are read as 1. The write value should be 1. | R/W |
| b29 | MSTPD29 | Low-Power Analog Comparator Module Stop | Target module: ACMPLP 0: Cancel the module-stop state 1: Enter the module-stop state. | R/W |
| b30 | — | Reserved | This bit is read as 1. The write value should be 1. | R/W |
| b31 | MSTPD31 | Operational Amplifier Module Stop | Target module: OPAMP 0: Cancel the module-stop state 1: Enter the module-stop state. | R/W |

Note 1. When the count source is sub-clock oscillator or LOCO, AGT1 counting does not stop even if MSTPD2 is set to 1. If the count source is the sub-clock oscillator or LOCO, this bit must be set to 1 except when accessing the AGT1 registers.

Note 2. When the count source is sub-clock oscillator or LOCO, AGT0 counting does not stop even if MSTPD3 is set to 1. If the count source is the sub-clock oscillator or LOCO, this bit must be set to 1 except when accessing the AGT0 registers.

Note 3. When using the 8-bit D/A converter (MSTPD19 = 0), set the MSTPD29 bit in ACMPLP to 0.

10.2.6 Operating Power Control Register (OPCCR)

Address(es): [SYSTEM.OPCCR 4001 E0A0h](#)

| Bit | Symbol | Bit name | Description | R/W |
|--------|---------------------------|-----------------------------------------------------|------------------------------------------------------------------------------------------------------------|-----|
| b7 | — | Reserved | | |
| b6 | — | Reserved | | |
| b5 | — | Reserved | | |
| b4 | OPCM TSF | Operating Power Control Mode Transition Status Flag | 0: Transition complete 1: Transition in progress. | R |
| b3 | — | Reserved | | |
| b2 | — | Reserved | | |
| b1, b0 | OPCM[1:0] | Operating Power Control Mode Select | b1 b0 0 0: High-speed mode 0 1: Middle-speed mode 1 0: Low-voltage mode*1 1 1: Low-speed mode. | R/W |

Value after reset: 0 0 0 0 0 0 1 0

| Bit | Symbol | Bit name | Description | R/W |
|----------|---------------------------|-----------------------------------------------------|------------------------------------------------------------------------------------------------------------|-----|
| b1, b0 | OPCM[1:0] | Operating Power Control Mode Select | b1 b0 0 0: High-speed mode 0 1: Middle-speed mode 1 0: Low-voltage mode*1 1 1: Low-speed mode. | R/W |
| b3, b2 | — | Reserved | These bits are read as 0. The write value should be 0. | R/W |
| b4 | OPCMTSF | Operating Power Control Mode Transition Status Flag | 0: Transition complete 1: Transition in progress. | R |
| b7 to b5 | — | Reserved | These bits are read as 0. The write value should be 0. | R/W |

Note 1. HOCOCR.HCSTP must always be 0.

The OPCCR register is used to reduce power consumption in Normal mode, Sleep mode and Snooze mode. Power consumption can be reduced according to the operating frequency and operating voltage used by the OPCCR setting. For the procedure to change the operating power control modes, see [section 10.5, Function for Lower Operating Power Consumption](#).

OPCM[1:0] bits (Operating Power Control Mode Select)

The OPCM[1:0] bits select the operating power control mode in Normal mode, Sleep mode, and Snooze mode.

[Table 10.4](#) shows the relationship between the operating power control modes, and the OPCM[1:0], SOPCM bit settings.

Writing to OPCCR.OPCM[1:0] is prohibited while HOCOCCR.HCSTP and OSCSF.HOCOSF are 0 as the oscillation of the HOCO clock is not stable yet.

OPCMTSF flag (Operating Power Control Mode Transition Status Flag)

The OPCMTSF flag indicates the switching control state when the operating power control mode is switched. This flag sets to 1 when the OPCM[1:0] bits are written, and 0 when mode transition completes. Read this flag to confirm that it is 0 before proceeding.

10.2.7 Sub Operating Power Control Register (SOPCCR)

Address(es): SYSTEM.SOPCCR 4001 E0AAh

| | | | | | | | |
|------------------------------------|----|----|--------------|----|----|----|-----------|
| b7 | b6 | b5 | b4 | b3 | b2 | b1 | b0 |
| — | — | — | SOPC MTSF | — | — | — | SOPC M |
| Value after reset: 0 0 0 0 0 0 0 0 | | | | | | | |

| Bit | Symbol | Bit name | Description | R/W |
|----------|----------|---------------------------------------------------------|--------------------------------------------------------|-----|
| b0 | SOPCM | Sub Operating Power Control Mode Select | 0: Not Subosc-speed mode 1: Subosc-speed mode. | R/W |
| b3 to b1 | — | Reserved | These bits are read as 0. The write value should be 0. | R/W |
| b4 | SOPCMTSF | Sub Operating Power Control Mode Transition Status Flag | 0: Transition completed 1: Transition in progress. | R |
| b7 to b5 | — | Reserved | These bits are read as 0. The write value should be 0. | R/W |

The SOPCCR register is used to reduce power consumption in Normal mode, Sleep mode, and Snooze mode by initiating the entry to and exit from Subosc-speed mode. Subosc-speed mode is available only when using the sub-clock oscillator or LOCO without dividing the frequency.

The flash cache function should be disabled by setting the CACHEE.FCACHEEN bit before switching the operating power control mode. For details, see [section 44, Flash Memory](#).

For the procedure to change operating power control modes, see [section 10.5, Function for Lower Operating Power Consumption](#).

SOPCM bit (Sub Operating Power Control Mode Select)

The SOPCM bit selects the operating power control mode in Normal mode, Sleep mode, and Snooze mode. Setting this bit to 1 allows transition to Subosc-speed mode. Setting this bit to 0 allows a return to the operating mode (set in OPCCR.OPCM[1:0]) before the transition to Subosc-speed mode.

[Table 10.4](#) shows the relationship between the operating power control modes, and the OPCM[1:0], SOPCM bit settings.

SOPCMTSF flag (Sub Operating Power Control Mode Transition Status Flag)

The SOPCMTSF flag indicates the switching control state when the operating power control mode is switched from or to Subosc-speed mode. This flag sets to 1 when the SOPCM bit is written, and 0 when mode transition completes. Read this flag to confirm that it is 0 before proceeding.

Table 10.4 shows the operating power control modes.

Table 10.4 Relationship between operating power control modes, and OPCM[1:0], SOPCM bits

| Operating power control mode | OPCM[1:0] bits | SOPCM bit | Power consumption |
|------------------------------|----------------|-----------|-------------------|
| High-speed mode | 00b | 0 | High ↓ Low |
| Middle-speed mode | 01b | 0 | |
| Low-voltage mode | 10b | 0 | |
| Low-speed mode | 11b | 0 | |
| Subosc-speed mode | xxb | 1 | |

10.2.8 Snooze Control Register (SNZCR)

Address(es): SYSTEM.SNZCR 4001 E092h

| b7 | b6 | b5 | b4 | b3 | b2 | b1 | b0 |
|------|----|----|----|----|----|----------|----------|
| SNZE | — | — | — | — | — | SNZDTCEN | RXDREQEN |

Value after reset: 0 0 0 0 0 0 0 0

| Bit | Symbol | Bit name | Description | R/W |
|----------|----------|----------------------------|---------------------------------------------------------------------------------------------------------------|-----|
| b0 | RXDREQEN | RXD0 Snooze Request Enable | 0: Ignore RXD0 falling edge in Software Standby mode 1: Detect RXD0 falling edge in Software Standby mode. | R/W |
| b1 | SNZDTCEN | DTC Enable in Snooze Mode | 0: Disable DTC operation in Snooze mode 1: Enable DTC operation in Snooze mode. | R/W |
| b6 to b2 | — | Reserved | These bits are read as 0. The write value should be 0. | R/W |
| b7 | SNZE | Snooze Mode Enable | 0: Disable Snooze mode 1: Enable Snooze mode. | R/W |

RXDREQEN bit (RXD0 Snooze Request Enable)

The RXDREQEN bit specifies whether to detect a falling edge of the RXD0 pin in Software Standby mode. This bit is only available when SCIO operates in asynchronous mode. To detect a falling edge of the RXD0 pin, set this bit before entering Software Standby mode. When this bit is set to 1, a falling edge of the RXD0 pin in Software Standby mode causes the MCU to enter Snooze mode.

SNZDTCEN bit (DTC Enable in Snooze Mode)

The SNZDTCEN bit specifies whether to use the DTC and SRAM in Snooze mode. To use the DTC and SRAM in Snooze mode, set this bit to 1 before entering Software Standby mode. When this bit is set to 1, the DTC can be activated by setting IELSRn (ICU Event Link Setting Register n).

SNZE bit (Snooze Mode Enable)

The SNZE bit enables or disables a transition from Software Standby mode to Snooze mode. To use Snooze mode, set this bit to 1 before entering Software Standby mode. When this bit is set to 1, a trigger as shown in Table 10.6 in Software Standby mode causes the MCU to enter Snooze mode. After the MCU transitions from Software Standby mode or Snooze mode to Normal mode, clear the SNZE bit once, then set it before re-entering Software Standby mode. For details, see section 10.8, Snooze Mode.

10.2.9 Snooze End Control Register (SNZEDCR)

Address(es): SYSTEM.SNZEDCR 4001 E094h

| | b7 | b6 | b5 | b4 | b3 | b2 | b1 | b0 |
|--------------------|-----------|----|----|----------|----------|----------|---------|----------|
| | SCIOUMTED | — | — | AD0UMTED | AD0MATED | DTCNZRED | DTCZRED | AGTUNFED |
| Value after reset: | 0 | 0 | 0 | 0 | 0 | 0 | 0 | 0 |

| Bit | Symbol | Bit name | Description | R/W |
|--------|---------------------------|--------------------------------------------------------|------------------------------------------------------------------------|-----|
| b0 | AGTUNFED | AGT1 Underflow Snooze End Enable | 0: Disable the Snooze end request 1: Enable the Snooze end request. | R/W |
| b1 | DTCZRED | Last DTC Transmission Completion Snooze End Enable | 0: Disable the Snooze end request 1: Enable the Snooze end request. | R/W |
| b2 | DTCNZRED | Not Last DTC Transmission Completion Snooze End Enable | 0: Disable the Snooze end request 1: Enable the Snooze end request. | R/W |
| b3 | AD0MATED | ADC140 Compare Match Snooze End Enable | 0: Disable the Snooze end request 1: Enable the Snooze end request. | R/W |
| b4 | AD0UMTED | ADC140 Compare Mismatch Snooze End Enable | 0: Disable the Snooze end request 1: Enable the Snooze end request. | R/W |
| b6, b5 | — | Reserved | These bits are read as 0. The write value should be 0. | R/W |
| b7 | SCIOUMTED | SCIO Address Mismatch Snooze End Enable | 0: Disable the Snooze end request 1: Enable the Snooze end request. | R/W |

To use a trigger shown in [Table 10.8](#) as a condition to switch from Snooze mode to Software Standby mode, set the associated bit in the SNZEDCR register to 1. The event that is used to return to Normal mode from Snooze mode listed in [Table 10.3](#) must not be enabled by SNZEDCR.

AGTUNFED bit (AGT1 Underflow Snooze End Enable)

The AGTUNFED bit specifies whether to enable a transition from Snooze mode to Software Standby mode by an AGT1 underflow. For details on the condition of the trigger, see [section 23, Asynchronous General Purpose Timer \(AGT\)](#).

DTCZRED bit (Last DTC Transmission Completion Snooze End Enable)

The DTCZRED bit specifies whether to enable a transition from Snooze mode to Software Standby mode by completion of the last DTC transmission, that is, CRA or CRB registers in the DTC is 0. For details on the condition of the trigger, see [section 17, Data Transfer Controller \(DTC\)](#).

DTCNZRED bit (Not Last DTC Transmission Completion Snooze End Enable)

The DTCNZRED bit specifies whether to enable a transition from Snooze mode to Software Standby mode by completion of each DTC transmission, that is, CRA or CRB registers in the DTC is not 0. For details on the condition of the trigger, see [section 17, Data Transfer Controller \(DTC\)](#).

AD0MATED bit (ADC140 Compare Match Snooze End Enable)

The AD0MATED bit specifies whether to enable a transition from Snooze mode to Software Standby mode by an ADC140 event when a conversion result matches the expected data. For details on the condition of the trigger, see [section 35, 14-Bit A/D Converter \(ADC14\)](#).

AD0UMTED bit (ADC140 Compare Mismatch Snooze End Enable)

The AD0UMTED bit specifies whether to enable a transition from Snooze mode to Software Standby mode by an ADC140 event when the conversion result does not match the expected data. For details on the condition of the trigger, see [section 35, 14-Bit A/D Converter \(ADC14\)](#).

SCIOUMTED bit (SCIO Address Mismatch Snooze End Enable)

The SCIOUMTED bit specifies whether to enable a transition from Snooze mode to Software Standby mode by an SCIO

event when an address received in Software Standby mode does not match the expected data. For details on the condition of the trigger, see [section 28, Serial Communications Interface \(SCI\)](#). Set this bit to 1 only when SCI0 operates in asynchronous mode.

10.2.10 Snooze Request Control Register (SNZREQCR)

Address(es): [SYSTEM.SNZREQCR 4001 E098h](#)

| | | | | | | | | | | | | | | | | |
|--------------------|------------|------------|------------|------------|------------|------------|------------|------------|------------|-----------|-----------|-----------|-----------|-----------|------------|-----------|
| | b31 | b30 | b29 | b28 | b27 | b26 | b25 | b24 | b23 | b22 | b21 | b20 | b19 | b18 | b17 | b16 |
| | — | SNZREQEN30 | SNZREQEN29 | SNZREQEN28 | — | — | SNZREQEN25 | SNZREQEN24 | SNZREQEN23 | — | — | — | — | — | SNZREQEN17 | — |
| Value after reset: | 0 | 0 | 0 | 0 | 0 | 0 | 0 | 0 | 0 | 0 | 0 | 0 | 0 | 0 | 0 | 0 |
| | b15 | b14 | b13 | b12 | b11 | b10 | b9 | b8 | b7 | b6 | b5 | b4 | b3 | b2 | b1 | b0 |
| | SNZREQEN15 | SNZREQEN14 | — | SNZREQEN12 | SNZREQEN11 | SNZREQEN10 | SNZREQEN9 | SNZREQEN8 | SNZREQEN7 | SNZREQEN6 | SNZREQEN5 | SNZREQEN4 | SNZREQEN3 | SNZREQEN2 | SNZREQEN1 | SNZREQEN0 |
| Value after reset: | 0 | 0 | 0 | 0 | 0 | 0 | 0 | 0 | 0 | 0 | 0 | 0 | 0 | 0 | 0 | 0 |

| Bit | Symbol | Bit name | Description | R/W |
|-----|----------------------------|--------------------------|----------------------------------------------------------------------------------------------------|-----|
| b0 | SNZREQEN0 | Snooze Request Enable 0 | Enable IRQ0 pin snooze request: 0: Disable the snooze request 1: Enable the snooze request. | R/W |
| b1 | SNZREQEN1 | Snooze Request Enable 1 | Enable IRQ1 pin snooze request: 0: Disable the snooze request 1: Enable the snooze request. | R/W |
| b2 | SNZREQEN2 | Snooze Request Enable 2 | Enable IRQ2 pin snooze request: 0: Disable the snooze request 1: Enable the snooze request. | R/W |
| b3 | SNZREQEN3 | Snooze Request Enable 3 | Enable IRQ3 pin snooze request: 0: Disable the snooze request 1: Enable the snooze request. | R/W |
| b4 | SNZREQEN4 | Snooze Request Enable 4 | Enable IRQ4 pin snooze request: 0: Disable the snooze request 1: Enable the snooze request. | R/W |
| b5 | SNZREQEN5 | Snooze Request Enable 5 | Enable IRQ5 pin snooze request: 0: Disable the snooze request 1: Enable the snooze request. | R/W |
| b6 | SNZREQEN6 | Snooze Request Enable 6 | Enable IRQ6 pin snooze request: 0: Disable the snooze request 1: Enable the snooze request. | R/W |
| b7 | SNZREQEN7 | Snooze Request Enable 7 | Enable IRQ7 pin snooze request: 0: Disable the snooze request 1: Enable the snooze request. | R/W |
| b8 | SNZREQEN8 | Snooze Request Enable 8 | Enable IRQ8 pin snooze request: 0: Disable the snooze request 1: Enable the snooze request. | R/W |
| b9 | SNZREQEN9 | Snooze Request Enable 9 | Enable IRQ9 pin snooze request: 0: Disable the snooze request 1: Enable the snooze request. | R/W |
| b10 | SNZREQEN10 | Snooze Request Enable 10 | Enable IRQ10 pin snooze request: 0: Disable the snooze request 1: Enable the snooze request. | R/W |
| b11 | SNZREQEN11 | Snooze Request Enable 11 | Enable IRQ11 pin snooze request: 0: Disable the snooze request 1: Enable the snooze request. | R/W |
| b12 | SNZREQEN12 | Snooze Request Enable 12 | Enable IRQ12 pin snooze request: 0: Disable the snooze request 1: Enable the snooze request. | R/W |

| Bit | Symbol | Bit name | Description | R/W |
|------------|------------|--------------------------|---------------------------------------------------------------------------------------------------------------|-----|
| b13 | — | Reserved | This bit is read as 0. The write value should be 0. | R/W |
| b14 | SNZREQEN14 | Snooze Request Enable 14 | Enable IRQ14 pin snooze request: 0: Disable the snooze request 1: Enable the snooze request. | R/W |
| b15 | SNZREQEN15 | Snooze Request Enable 15 | Enable IRQ15 pin snooze request: 0: Disable the snooze request 1: Enable the snooze request. | R/W |
| b16 | — | Reserved | This bit is read as 0. The write value should be 0. | R/W |
| b17 | SNZREQEN17 | Snooze Request Enable 17 | Enable Key Interrupt snooze request: 0: Disable the snooze request 1: Enable the snooze request. | R/W |
| b22 to b18 | — | Reserved | These bits are read as 0. The write value should be 0. | R/W |
| b23 | SNZREQEN23 | Snooze Request Enable 23 | Enable ACMPLP0 snooze request: 0: Disable the snooze request 1: Enable the snooze request. | R/W |
| b24 | SNZREQEN24 | Snooze Request Enable 24 | Enable RTC alarm snooze request: 0: Disable the snooze request 1: Enable the snooze request. | R/W |
| b25 | SNZREQEN25 | Snooze Request Enable 25 | Enable RTC period snooze request: 0: Disable the snooze request 1: Enable the snooze request. | R/W |
| b27, b26 | — | Reserved | These bits are read as 0. The write value should be 0. | R/W |
| b28 | SNZREQEN28 | Snooze Request Enable 28 | Enable AGT1 underflow snooze request: 0: Disable the snooze request 1: Enable the snooze request. | R/W |
| b29 | SNZREQEN29 | Snooze Request Enable 29 | Enable AGT1 compare match A snooze request: 0: Disable the snooze request 1: Enable the snooze request. | R/W |
| b30 | SNZREQEN30 | Snooze Request Enable 30 | Enable AGT1 compare match B snooze request: 0: Disable the snooze request 1: Enable the snooze request. | R/W |
| b31 | — | Reserved | This bit is read as 0. The write value should be 0. | R/W |

The SNZREQCR register controls the trigger that causes the MCU to switch from Software Standby mode to Snooze mode. If a trigger is selected as a request to cancel Software Standby mode by setting the WUPEN register, see [section 13, Interrupt Controller Unit \(ICU\)](#), the MCU enters Normal mode when the trigger is generated while the associated bit of the SNZREQCR register is 1. WUPEN register settings always have a higher priority than the SNZREQCR register settings. For details, see [section 10.8, Snooze Mode](#) and [section 13, Interrupt Controller Unit \(ICU\)](#).

10.2.11 Flash Operation Control Register (FLSTOP)

Address(es): SYSTEM.FLSTOP 4001 E09Eh

| b7 | b6 | b5 | b4 | b3 | b2 | b1 | b0 |
|----|----|----|------------|----|----|----|------------|
| — | — | — | FLSTP F | — | — | — | FLSTO P |

Value after reset: 0 0 0 0 0 0 0 0

| Bit | Symbol | Bit name | Description | R/W |
|----------|--------|------------------------------------------------|--------------------------------------------------------------------------------------------|-----|
| b0 | FLSTOP | Selecting ON/OFF of the Flash Memory Operation | 0: Code flash and data flash memory operates 1: Code flash and data flash memory stops. | R/W |
| b3 to b1 | — | Reserved | These bits are read as 0. The write value should be 0. | R/W |

| Bit | Symbol | Bit name | Description | R/W |
|----------|--------|------------------------------------|--------------------------------------------------------------------------------------------------------------------------------------------------------|-----|
| b4 | FLSTPF | Flash Memory Operation Status Flag | 0: Transition completed 1: During transition (from the flash-stop-status to flash-operating-status or flash-operating-status to flash-stop-status). | R |
| b7 to b5 | — | Reserved | These bits are read as 0. The write value should be 0. | R/W |

FLSTOP bit (Selecting ON/OFF of the Flash Memory Operation)

The FLSTOP bit enables or disables flash memory. The FLSTOP bit must be written in a program executing in the SRAM. To use an interrupt when the FLSTOP bit is 1, be sure to place the interrupt vector in the SRAM. Set this bit to 0 when low-voltage mode is not selected.

Note: When changing the value of the FLSTOP bit from 1 to 0 to start flash memory operation, ensure that the FLSTPF flag is 0 and OSCSF.HOCOSF is 1 before restarting access to the flash memory. After that, instructions can be executed in the code flash memory.

Note: Writing to FLSTOP.FLSTOP is prohibited while HOCO.CR.HCSTP and OSCSF.HOCOSF are 0 (HOCO is in stabilization wait counting).

FLSTPF flag (Flash Memory Operation Status Flag)

The FLSTPF flag indicates the status of transition from the flash-stop-status to flash-operating-status or from the flash-operating-status to the flash-stop-status. When the transition completes, the flag is read as 0. When using flash memory again after stopping it once, make sure that the FLSTPF flag is 0 before proceeding.

10.2.12 System Control OCD Control Register (SYOCD CR)

Address(es): SYSTEM.SYOCD CR 4001 E40Eh

| | b7 | b6 | b5 | b4 | b3 | b2 | b1 | b0 |
|--------------------|-------|----|----|----|----|----|----|----|
| | DBGEN | — | — | — | — | — | — | — |
| Value after reset: | 0 | 0 | 0 | 0 | 0 | 0 | 0 | 0 |

| Bit | Symbol | Bit name | Description | R/W |
|----------|--------|-----------------|-------------------------------------------------------------------------------------------------------------|-----|
| b6 to b0 | — | Reserved | These bits are read as 0. The write value should be 0. | R/W |
| b7 | DBGEN | Debugger Enable | 0: On-chip debugger is disabled 1: On-chip debugger is enabled. Set to 1 first in on-chip debug mode. | R/W |

DBGEN bit (Debugger Enable)

The DBGEN bit enables the on-chip debug mode. This bit must be set to 1 first in the on-chip debugger mode.

[Setting condition]

- Writing 1 to the bit when the debugger is connected.

[Clearing condition]

- Power-on reset is generated
- Writing 0 to the bit.

10.3 Reducing Power Consumption by Switching Clock Signals

The clock frequency changes when the following bits are set:

- SCKDIVCR.FCK[2:0]
- ICK[2:0]
- PCKA[2:0]

- PCKB[2:0]
- PCKC[2:0]
- PCKD[2:0].

The CPU, DMAC, DTC, flash, and SRAM use the operating clock specified by the ICK[2:0] bits.

Peripheral modules use the operating clock specified in the PCKA[2:0], PCKB[2:0], PCKC[2:0], and PCKD[2:0] bits.

The flash memory interface uses the operating clock specified in the FCK[2:0] bits. For details, see [section 8, Clock Generation Circuit](#).

10.4 Module-Stop Function

The module-stop function can be set for each on-chip peripheral module.

When the MSTPmi bit (m = A to D; i = 31 to 0) in MSTPCRA to MSTPCRD is set to 1, the specified module stops operating and enters the module-stop state, but the CPU continues to operate independently. Clearing the MSTPmi bit to 0 cancels the module-stop state, allowing the module to resume operation at the end of the bus cycle. The internal states of the modules are retained in the module-stop state.

After a reset is canceled, all modules other than the DMAC, DTC, and SRAMs are placed in the module-stop state. Do not access the module while the corresponding MSTPmi bit is 1, otherwise the read/write data or the operation of the module is not guaranteed. Also, do not set the MSTPmi bit to 1 while the corresponding module is accessed.

10.5 Function for Lower Operating Power Consumption

By selecting an appropriate operating power consumption control mode according to the operating frequency and operating voltage, power consumption can be reduced in Normal mode, Sleep mode, and Snooze mode.

10.5.1 Setting Operating Power Control Mode

Make sure that the operating condition such as the voltage range and the frequency range is always within the specified range before and after switching the operating power control modes. This section provides example procedures for switching operating power control modes. [Table 10.5](#) shows the oscillators that can be used in each mode.

Table 10.5 Available oscillators in each mode

| Mode | Oscillator | | | | | | |
|--------------|------------|-------------------------------|---------------------------------|------------------------------|-----------------------|----------------------|-----------------------------------|
| | PLL*1 | High-speed on-chip oscillator | Middle-speed on-chip oscillator | Low-speed on-chip oscillator | Main clock oscillator | Sub-clock oscillator | IWDT-dedicated on-chip oscillator |
| High-speed | Available | Available | Available | Available | Available | Available | Available |
| Middle-speed | Available | Available | Available | Available | Available | Available | Available |
| Low-voltage | N/A | Available | Available | Available | Available | Available | Available |
| Low-speed | N/A | Available | Available | Available | Available | Available | Available |
| Subosc-speed | N/A | N/A | N/A | Available | N/A | Available | Available |

Note 1. The VCC range for the PLL is 2.4 to 5.5 V.

(1) Switching from a higher power mode to a lower power mode

Example 1: From High-speed mode to Low-speed mode

Operation starts in High-speed mode.

1. Disable the flash cache by resetting FCACHEE.FCACHEEN when the flash cache is cacheable in High-speed mode.
2. Change the oscillator to what is used in Low-speed mode. Set the frequency of each clock lower than the maximum operating frequency in Low-speed mode.
3. Turn off the oscillator that is not required in Low-speed mode.

4. Confirm that the OPCCR.OPCMTSF flag is 0 (indicates transition completed).
5. Set the OPCCR.OPCM bit to 11b (Low-speed mode).
6. Confirm that OPCCR.OPCMTSF flag is 0 (indicates transition completed).
7. Perform the following steps when the flash cache is cacheable in Low-speed mode:
 - a. Invalidate the flash cache by setting FCACHEIV.FCACHEIV.
 - b. Check that FCACHEIV.FCACHEIV is 0.
 - c. Enable the flash cache by setting FCACHEE.FCACHEEN.

Operation is now in Low-speed mode.

Example 2: From High-speed mode to Subosc-speed mode

Operation starts in High-speed mode.

1. Disable the flash cache by resetting FCACHEE.FCACHEEN when the flash cache is cacheable in High-speed mode.
2. Switch the clock source to sub-clock oscillator.
3. Turn off HOCO, MOCO, MOSC, and PLL.
4. Confirm that all clock sources other than the sub-clock oscillator are stopped.
5. Confirm that the SOPCCR.SOPCMTSF flag is 0 (indicates transition completed).
6. Set the SOPCCR.SOPCM bit to 1 (Subosc-speed mode).
7. Confirm that the SOPCCR.SOPCMTSF flag is 0 (indicates transition completed).
8. Set the following steps when the flash cache is cacheable in Subosc-speed mode:
 - a. Invalidate the flash cache by setting the FCACHEIV.FCACHEIV bit.
 - b. Check that the FCACHEIV.FCACHEIV bit is 0.
 - c. Enable the flash cache by setting the FCACHEE.FCACHEEN bit.

Operation is now in Subosc-speed mode.

(2) Switching from a lower power mode to a higher power mode

Example 1: From Subosc-speed mode to High-speed mode

Operation starts in Subosc-speed mode.

1. Disable the flash cache by resetting the FCACHEE.FCACHEEN bit when the flash cache is cacheable in Subosc-speed mode.
2. Confirm that the SOPCCR.SOPCMTSF flag is 0 (indicates transition completed).
3. Set the SOPCCR.SOPCM bit to 0 (High-speed mode).
4. Confirm that the SOPCCR.SOPCMTSF flag is 0 (indicates transition completed).
5. Turn on the oscillator needed in High-speed mode.
6. Set the frequency of each clock to lower than the maximum operating frequency for High-speed mode.
7. Set the following steps when the flash cache is cacheable in High-speed mode:
 - a. Invalidate the flash cache by setting the FCACHEIV.FCACHEIV bit.
 - b. Check that the FCACHEIV.FCACHEIV bit is 0.
 - c. Enable the flash cache by setting the FCACHEE.FCACHEEN bit.

Operation is now in High-speed mode.

Example 2: From Low-speed mode to High-speed mode

Operation starts in Low-speed mode.

1. Disable the flash cache by resetting FCACHEE.FCACHEEN when the flash cache is cacheable in Low-speed

mode.

2. Confirm that the OPCCR.OPCMTSF flag is 0 (indicates transition completed).
3. Set the OPCCR.OPCM bit to 00b (High-speed mode).
4. Confirm that the OPCCR.OPCMTSF flag is 0 (indicates transition completed).
5. Turn on any oscillator required in High-speed mode.
6. Set the frequency of each clock to lower than the maximum operating frequency for High-speed mode.
7. Set the following steps when the flash cache is cacheable in High-speed mode.
 - a. Invalidate the flash cache by setting the FCACHEIV.FCACHEIV bit.
 - b. Check that FCACHEIV.FCACHEIV is 0.
 - c. Enable the flash cache by setting FCACHEE.FCACHEEN.

Operation is now in High-speed mode.

10.5.2 Operating Range

High-speed mode

The maximum operating frequency during flash read is 48 MHz for ICLK and 32 MHz for FCLK. The operating voltage range is 2.4 to 5.5 V during flash read. However, for ICLK and FCLK, the maximum operating frequency during flash read is 16 MHz when the operating voltage is 2.4 V or larger and smaller than 2.7 V.

During flash programming and erasure, the operating frequency range is 1 to 48 MHz and the operating voltage range is 2.7 to 5.5 V. The PLL can be used when the operating voltage is 2.4 V or above.

Figure 10.2 shows the operating voltages and frequencies in High-speed mode.

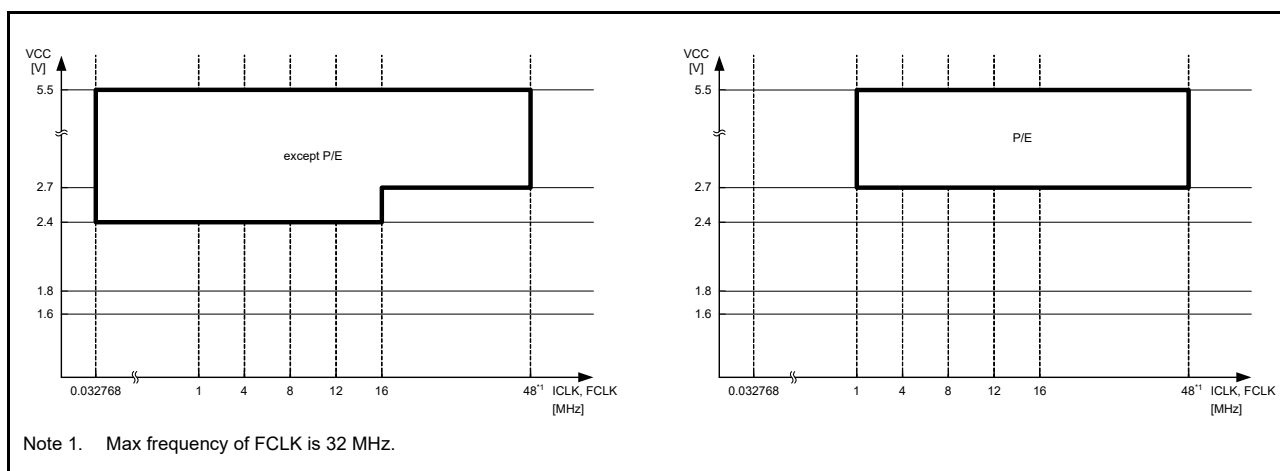


Figure 10.2 Operating voltages and frequencies in High-speed mode

Middle-speed mode

The power consumption of this mode is lower than that of High-speed mode under the same conditions.

The maximum operating frequency during flash read is 12 MHz for ICLK and FCLK. The operating voltage range is 1.8 to 5.5 V during flash read. However, for ICLK and FCLK, the maximum operating frequency during flash read is 8 MHz when the operating voltage is 1.8 V or larger and smaller than 2.4 V.

During flash programming and erasure, the operating frequency range is 1 to 12 MHz and the operating voltage range is 1.8 to 5.5 V. The maximum operating frequency during flash programming/erasure is 8 MHz when the operating voltage is 1.8 V or larger and smaller than 2.4 V. The PLL can be used when the operating voltage is 2.4 V or above.

Figure 10.3 shows the operating voltages and frequencies in Middle-speed mode.

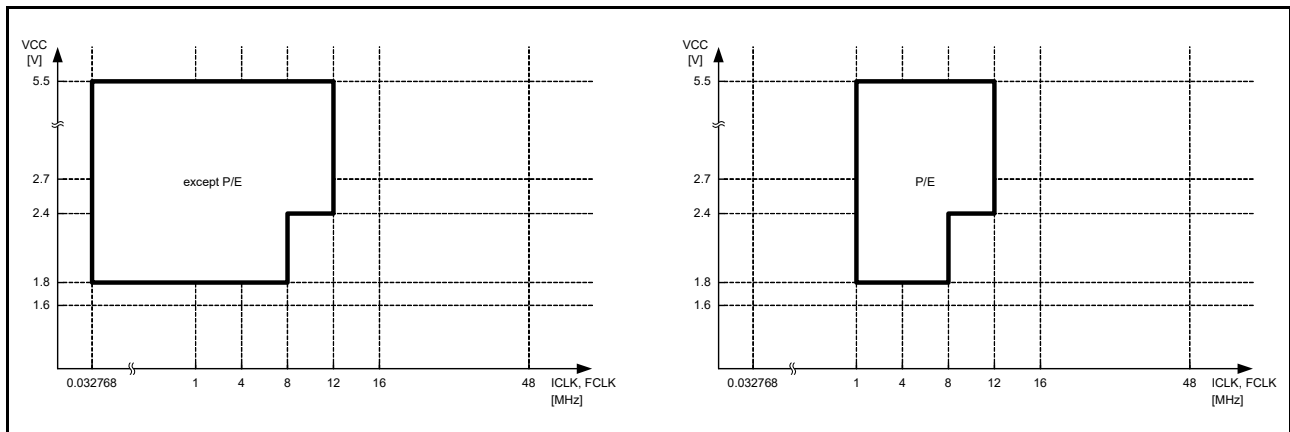


Figure 10.3 Operating voltages and frequencies in Middle-speed mode

Low-voltage mode

After a reset is canceled, operation is started from this mode. Using the PLL is prohibited.

The maximum operating frequency during flash read is 4 MHz for ICLK and FCLK. The operating voltage range is 1.6 to 5.5 V during flash read.

During flash programming and erasure, the operating frequency range is 1 to 4 MHz and the operating voltage range is 1.8 to 5.5 V. Using the PLL is prohibited.

Figure 10.4 shows the operating voltages and frequencies in low-voltage mode.

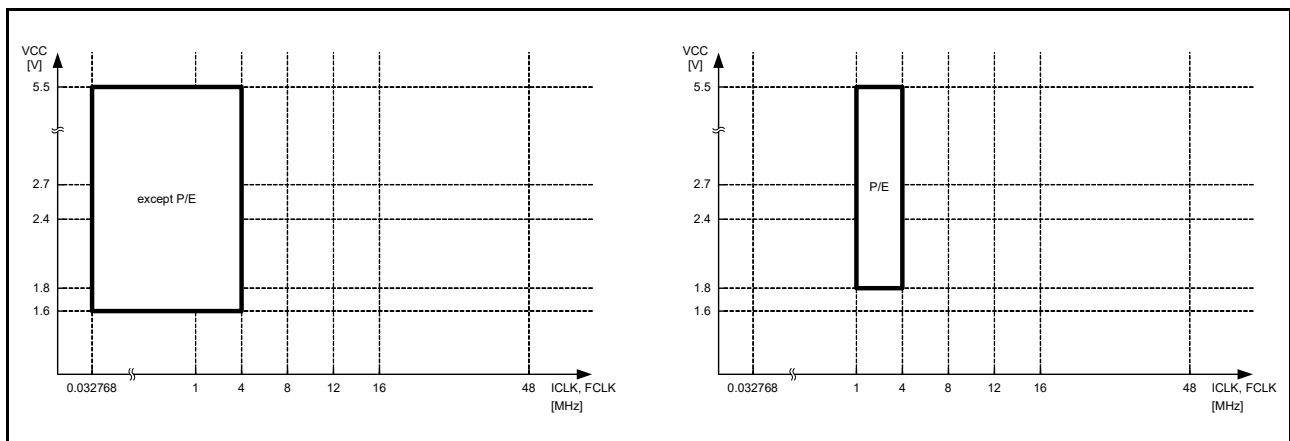


Figure 10.4 Operating voltages and frequencies in low-voltage mode

Low-speed mode

The maximum operating frequency during flash read is 1 MHz for ICLK and FCLK. The operating voltage range is 1.8 to 5.5 V during flash read.

P/E operations for flash memory are prohibited. Using the PLL is prohibited.

Figure 10.5 shows the operating voltages and frequencies in Low-speed mode.

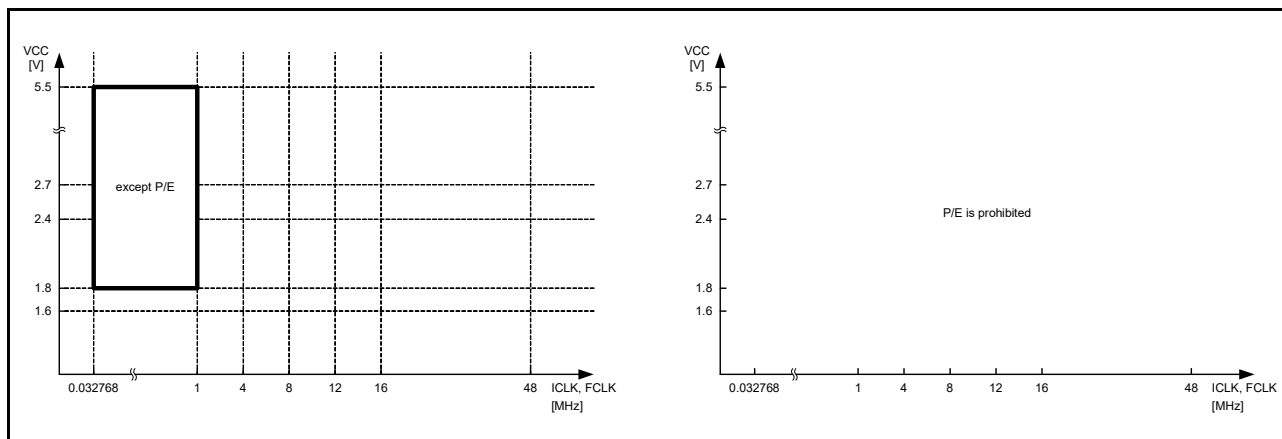


Figure 10.5 Operating voltages and frequencies in Low-speed mode

Subosc-speed mode

The maximum operating frequency during flash read is 37.6832 kHz for ICLK and FCLK. The operating voltage range is 1.8 to 5.5 V during flash read.

P/E operations for flash memory are prohibited. Using the oscillators other than the sub-clock oscillator or low-speed on-chip oscillator is prohibited.

Figure 10.6 shows the operating voltages and frequencies in Subosc-speed mode.

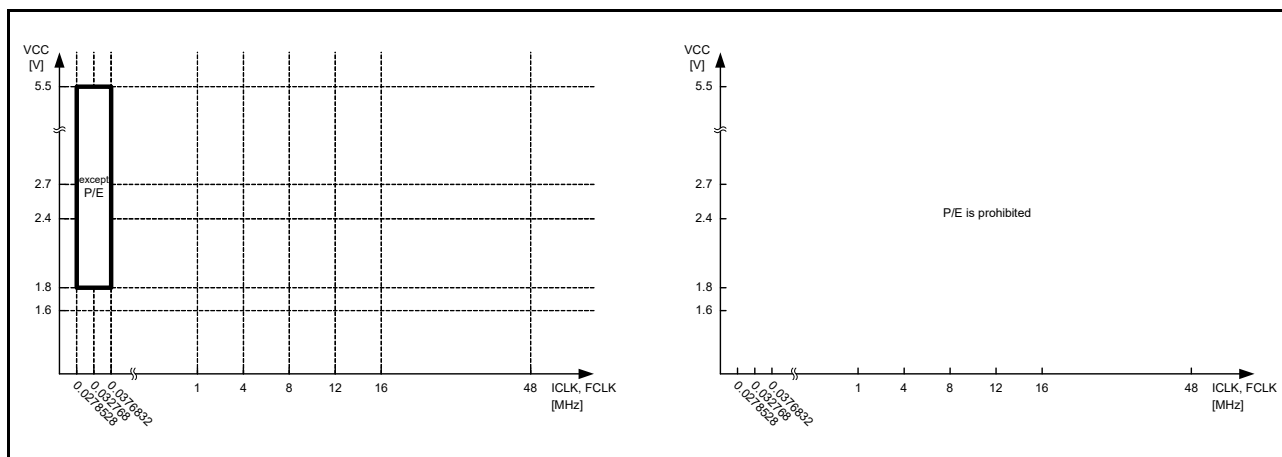


Figure 10.6 Operating voltages and frequencies in Subosc-speed mode

10.6 Sleep Mode

10.6.1 Transition to Sleep Mode

When a WFI instruction is executed while the SBYCR.SSBY bit is 0, the MCU enters Sleep mode. In this mode, the CPU stops operating but the contents of its internal registers are retained. Other peripheral functions do not stop. Available resets or interrupts in Sleep mode cause the MCU to cancel Sleep mode. All interrupt sources are available. If using an interrupt to cancel Sleep mode, you must set the associated IELSRn register before executing a WFI instruction. For details, see section 13, Interrupt Controller Unit (ICU).

Counting by IWDT stops when the MCU enters Sleep mode while the IWDT is in auto-start mode and the OFS0.IWDTSTPCTL bit is 1 (IWDT stops in Sleep mode, Software Standby mode, or Snooze mode). Counting by IWDT continues when the MCU enters Sleep mode while the IWDT is in auto-start mode and the OFS0.IWDTSTPCTL bit is 0 (IWDT does not stop in Sleep mode, Software Standby mode, or Snooze mode).

Counting by WDT stops when the MCU enters Sleep mode while the WDT is in auto-start mode and the OFS0.WDTSTPCTL bit is 1 (WDT stops in Sleep mode). Similarly, counting by WDT stops when the MCU enters Sleep mode while the WDT is in register start mode and the WDCSTPR.SLCSTP bit is 1 (WDT stops in Sleep mode).

Counting by WDT continues when the MCU enters Sleep mode while the WDT is in auto-start mode and the OFS0.WDTSTPCTL bit is 0 (WDT does not stop in Sleep mode). Similarly, counting by WDT continues when the MCU enters Sleep mode while the WDT is in register start mode and the WDCSTPR.SLCSTP bit is 0 (WDT does not stop in Sleep mode).

10.6.2 Canceling Sleep Mode

Sleep mode is canceled by an interrupt such as:

- RES pin reset
- Power-on reset
- Voltage monitor reset
- SRAM parity error reset
- SRAM ECC error reset
- Bus master MPU error reset
- Bus slave MPU error reset
- Reset caused by an IWDT or a WDT underflow.

The operations are as follows:

1. Canceling by an interrupt
When an available interrupt request is generated, Sleep mode is canceled and the MCU starts the interrupt handling.
2. Canceling by RES pin reset
When RES pin is driven low, the MCU enters the reset state. Be sure to keep RES pin low for the time period specified in [section 48, Electrical Characteristics](#). When RES pin is driven high after the specified time period, the CPU starts the reset exception handling.
3. Canceling by IWDT reset
Sleep mode is canceled by an internal reset generated by an IWDT underflow and the MCU starts the reset exception handling. However, IWDT stops in Sleep mode and an internal reset for canceling Sleep mode is not generated in the following conditions:
 - OFS0.IWDTSTRT = 0 and OFS0.IWDTSTPCTL = 1.
4. Canceling by WDT reset
Sleep mode is canceled by an internal reset generated by a WDT underflow and the MCU starts the reset exception handling. However, WDT stops in Sleep mode even when counting in Normal mode and an internal reset for canceling Sleep mode is not generated in the following conditions:
 - OFS0.WDTSTRT = 0 (auto-start mode) and OFS0.WDTSTPCTL = 1
 - OFS0.WDTSTRT = 1 (register start mode) and WDCSTPR.SLCSTP = 1.
5. Canceling by other resets available in Sleep mode
Sleep mode is canceled by other resets and the MCU starts the reset exception handling.

Note: For details on proper setting of the interrupts, see [section 13, Interrupt Controller Unit \(ICU\)](#).

10.7 Software Standby Mode

10.7.1 Transition to Software Standby Mode

When a WFI instruction is executed while the SBYCR.SSBY bit is 1, the MCU enters Software Standby mode. In this mode, the CPU, most of the on-chip peripheral functions and oscillators stop. However, the contents of the CPU internal registers and SRAM data, the states of on-chip peripheral functions and the I/O Ports are retained. Software Standby mode allows a significant reduction in power consumption because most of the oscillators stop in this mode. [Table 10.2](#)

shows the status of each on-chip peripheral functions and oscillators. Available resets or interrupts in Software Standby mode cause the MCU to cancel Software Standby mode. See [Table 10.3](#) for available interrupt sources and [section 13.2.9, Wake Up Interrupt Enable Register \(WUPEN\)](#) for information on how to wake up the MCU from Software Standby mode. If using an interrupt to cancel Software Standby mode, you must set the associated IELSRn register before executing a WFI instruction. For details, see [section 13, Interrupt Controller Unit \(ICU\)](#).

Clear the DMAST.DMST and DTCST.DTCST bits to 0 before executing a WFI instruction, except when using the DTC in Snooze mode. If the DTC is required in Snooze mode, set the DTCST.DTCST bit to 1 before executing a WFI instruction.

Counting by IWDT stops when the MCU enters Software Standby mode while the IWDT is in auto-start mode and the OFS0.IWDTSTPCTL bit is 1 (IWDT stops in Sleep mode, Software Standby mode, or Snooze mode). Counting by IWDT continues if the MCU enters Software Standby mode while the IWDT is in auto-start mode and the OFS0.IWDTSTPCTL bit is 0 (IWDT does not stop in Sleep mode, Software Standby mode, or Snooze mode).

WDT stops counting when the MCU enters Software Standby mode.

Do not enter Software Standby mode while OSTDCR.OSTDE = 1 (oscillation stop detection function is enabled). To enter Software Standby mode, execute a WFI instruction after disabling the oscillation stop detection function (OSTDCR.OSTDE = 0). If executing a WFI instruction while OSTDCR.OSTDE = 1, the MCU enters Sleep mode even when SBYCR.SSBY = 1. In addition, do not enter Software Standby mode while the flash memory performs a programming or erasing procedure. To enter Software Standby mode, execute a WFI instruction after the programming or erasing procedure completes.

10.7.2 Canceling Software Standby Mode

Software Standby mode is canceled by an interrupt such as:

- RES pin reset
- Power-on reset
- Voltage monitor reset
- Reset caused by an IWDT underflow.

The available interrupts are shown in [Table 10.3](#).

On exiting Software Standby mode, the oscillators that operate before the transition to the mode restart. After all the oscillators are stabilized, the MCU returns to Normal mode from Software Standby mode. See [section 13.2.9, Wake Up Interrupt Enable Register \(WUPEN\)](#) for information on waking up the MCU from Software Standby mode.

You can cancel Software Standby mode from any of the following ways:

1. Canceling by an interrupt
When an available interrupt request (for available interrupts, see [Table 10.3](#)) is generated, an oscillator that operates before the transition to Software Standby mode restarts. After all the oscillators are stabilized, the MCU returns to Normal mode from Software Standby mode and starts the interrupt handling.
2. Canceling by a RES pin reset
When RES pin is driven low, the MCU enters the reset state, and the oscillators whose default status is operating, start the oscillation. Be sure to keep the RES pin low for the time period specified in [section 48, Electrical Characteristics](#). When the RES pin is driven high after the specified time period, the CPU starts the reset exception handling.
3. Canceling by a power-on reset
Software Standby mode is canceled by a power-on reset and the MCU starts the reset exception handling.
4. Canceling by a voltage monitor reset
Software Standby mode is canceled by a voltage monitor reset from the voltage detection circuit and the MCU starts the reset exception handling.
5. Canceling by IWDT reset
Software Standby mode is canceled by an internal reset generated by an IWDT underflow and the MCU starts the reset exception handling. However, IWDT stops in Software Standby mode and an internal reset for canceling Software Standby mode is not generated for the following condition:
 - OFS0.IWDTSTRT = 0 and OFS0.IWDTSTPCTL = 1.

10.7.3 Example of Software Standby Mode Application

Figure 10.7 shows an example of entry to Software Standby mode on detection of a falling edge of the IRQn pin, and exit from Software Standby mode by a rising edge of the IRQn pin.

In this example, an IRQn pin interrupt is accepted with the IRQCRi.IRQMD[1:0] bits of the ICU set to 01b (falling edge) in Normal mode, and the IRQCRi.IRQMD[1:0] bits set to 10b (rising edge). After that, the SBYCR.SSBY bit is set to 1 and a WFI instruction is executed. As a result, entry to Software Standby mode completes and exit from Software Standby mode is initiated by a rising edge of the IRQn pin.

Setting the ICU is also required to exit Software Standby mode. For details, see [section 13, Interrupt Controller Unit \(ICU\)](#). The oscillation stabilization time in Figure 10.7 is specified in [section 48, Electrical Characteristics](#).

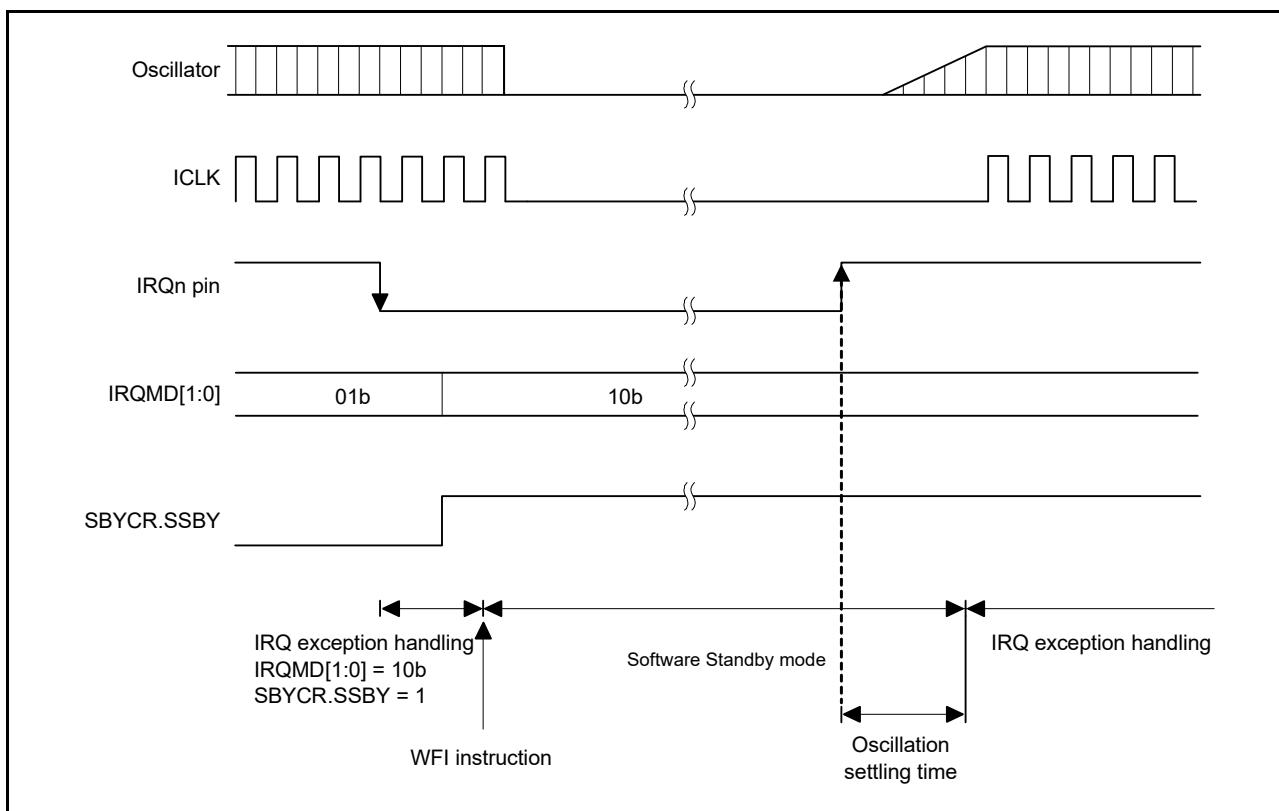


Figure 10.7 Example of Software Standby mode application

10.8 Snooze Mode

10.8.1 Transition to Snooze Mode

Figure 10.8 shows Snooze mode entry configuration. When the Snooze control circuit receives a snooze request in Software Standby mode, the MCU transitions to Snooze mode. In this mode, some peripheral modules operate without waking up the CPU. [Table 10.2](#) shows the peripheral modules that can operate in Snooze mode. Also, the DTC operation in Snooze mode can be selected by setting the SNZCR.SNZDTCEN bit.

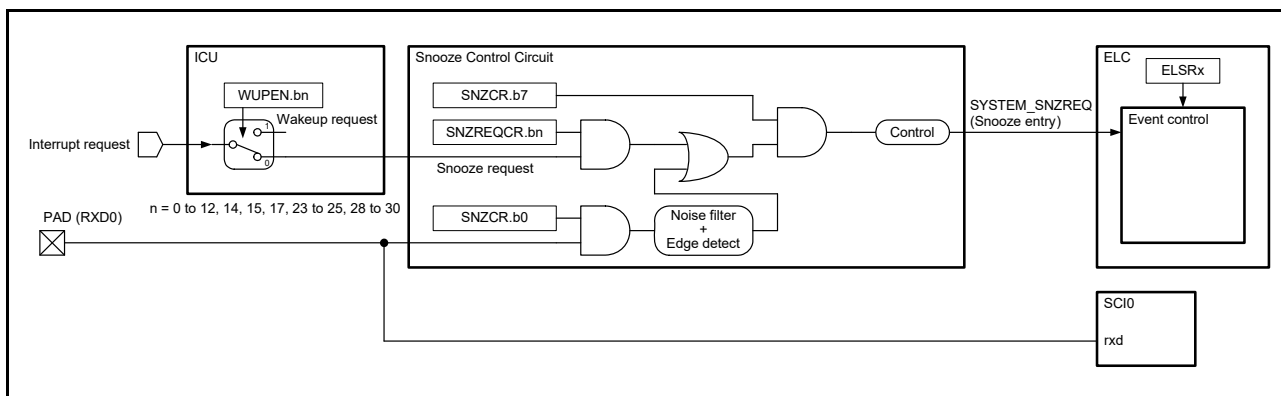


Figure 10.8 Snooze mode entry configuration

Table 10.6 shows the snooze requests to switch the MCU from Software Standby mode to Snooze mode. To use the listed snooze requests as a trigger to switch to Snooze mode, you must set the associated SNZREQENn bit of the SNZREQCR register or RXDREQEN bit of the SNZCR register before entering Software Standby mode.

Note: Do not enable multiple snooze requests at the same time.

Table 10.6 Available snooze requests to switch to Snooze mode

| Snooze request | Control register | |
|---------------------------------|------------------|---------------------------------|
| | Register | Bit |
| PORT_IRQn (n = 0 to 12, 14, 15) | SNZREQCR | SNZREQENn (n = 0 to 12, 14, 15) |
| KEY_INTKR | SNZREQCR | SNZREQEN17 |
| ACMP_LP0 | SNZREQCR | SNZREQEN23 |
| RTC_ALM | SNZREQCR | SNZREQEN24 |
| RTC_PRD | SNZREQCR | SNZREQEN25 |
| AGT1_AGTI | SNZREQCR | SNZREQEN28 |
| AGT1_AGTCMAI | SNZREQCR | SNZREQEN29 |
| AGT1_AGTCMBI | SNZREQCR | SNZREQEN30 |
| RXD0 falling edge | SNZCR | RXDREQEN*1 |

Note 1. RXDREQEN bit must not be set to 1 except in asynchronous mode.

10.8.2 Canceling Snooze Mode

Snooze mode is canceled by an interrupt request that is available in Software Standby mode or a reset. Table 10.3 shows the requests that can be used to exit each mode. After canceling the Snooze mode, the MCU enters Normal mode and proceeds with exception processing for the given interrupt or reset. An action triggered by the interrupt requests selected in SELSR0, cancels Snooze mode. The interrupt that cancels the Snooze mode must be selected in IELSRn (n = 0 to 31) to link to the NVIC for the corresponding interrupt handling. See section 13, Interrupt Controller Unit (ICU) for information on SELSR0 and IELSRn registers.

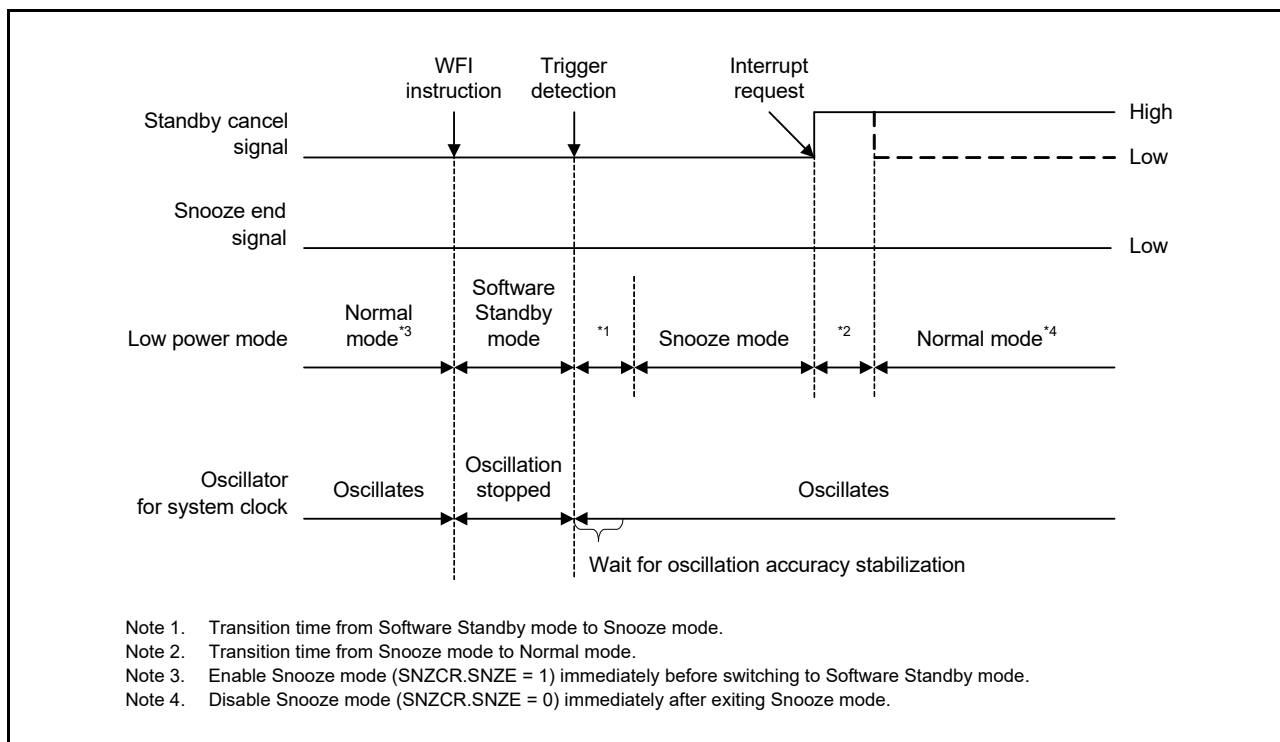


Figure 10.9 Canceling Snooze mode when an interrupt request signal is generated

10.8.3 Returning to Software Standby Mode

Table 10.7 shows the snooze end requests that can be used as triggers to return to Software Standby mode. The snooze end requests are available only in Snooze mode. If the requests are generated when the MCU is not in Snooze mode, they are ignored. When multiple requests are selected, each of the requests invokes transition to Software Standby mode from Snooze mode.

Table 10.8 shows the snooze end conditions that consist of the snooze end requests and the conditions of the peripheral modules. The CTSU, SCI0, ADC140, and DTC modules can keep the MCU in Snooze mode until they complete operation. However, an AGT1 underflow as a trigger to return to Software Standby mode cancels Snooze mode without waiting for the completion of SCI0 operation.

Figure 10.10 shows the timing diagram for the transition from Snooze mode to Software Standby mode. This mode transition occurs depending on which snooze end requests set in the SNZEDCR register. A snooze request is cleared automatically after the transition to Software Standby mode.

Table 10.7 Available snooze end requests (triggers for transition to Software Standby mode)

| Snooze end request | Enable/disable control | |
|----------------------------------------------------|------------------------|---------|
| | Register | Bit |
| AGT1 underflow or measurement complete (AGT1_AGTI) | SNZEDCR | bit [0] |
| DTC transfer complete (DTC_COMPLETE) | SNZEDCR | bit [1] |
| DTC transfer not complete (DTC_TRANSFER) | SNZEDCR | bit [2] |
| ADC140 window A/B compare match (ADC140_WCMPPM) | SNZEDCR | bit [3] |
| ADC140 window A/B compare mismatch (ADC140_WCMPUM) | SNZEDCR | bit [4] |
| SCI0 address mismatch (SCI0_DCUF) | SNZEDCR | bit [7] |

Table 10.8 Snooze end conditions

| Operating module when a snooze end request occurs | Snooze end request | |
|---------------------------------------------------|---------------------------------------------------------------------------------------------------------------|---------------------------------------------------------------------------------------------------------------|
| | AGT1 underflow | Other than AGT1 underflow |
| DTC | The MCU transitions to Software Standby mode after all of the modules listed in this table complete operation | The MCU transitions to Software Standby mode after all of the modules listed in this table complete operation |
| ADC140 | | |
| CTSU | | |
| SCI0 | The MCU transitions to Software Standby mode immediately after a snooze end request is generated | |
| All other modules | The MCU transitions to Software Standby mode immediately after a snooze end request is generated | |

Note: If the DTC is used to activate the ADC140, CTSU, or SCI, the MCU transitions to Software Standby mode after a snooze end request is generated.

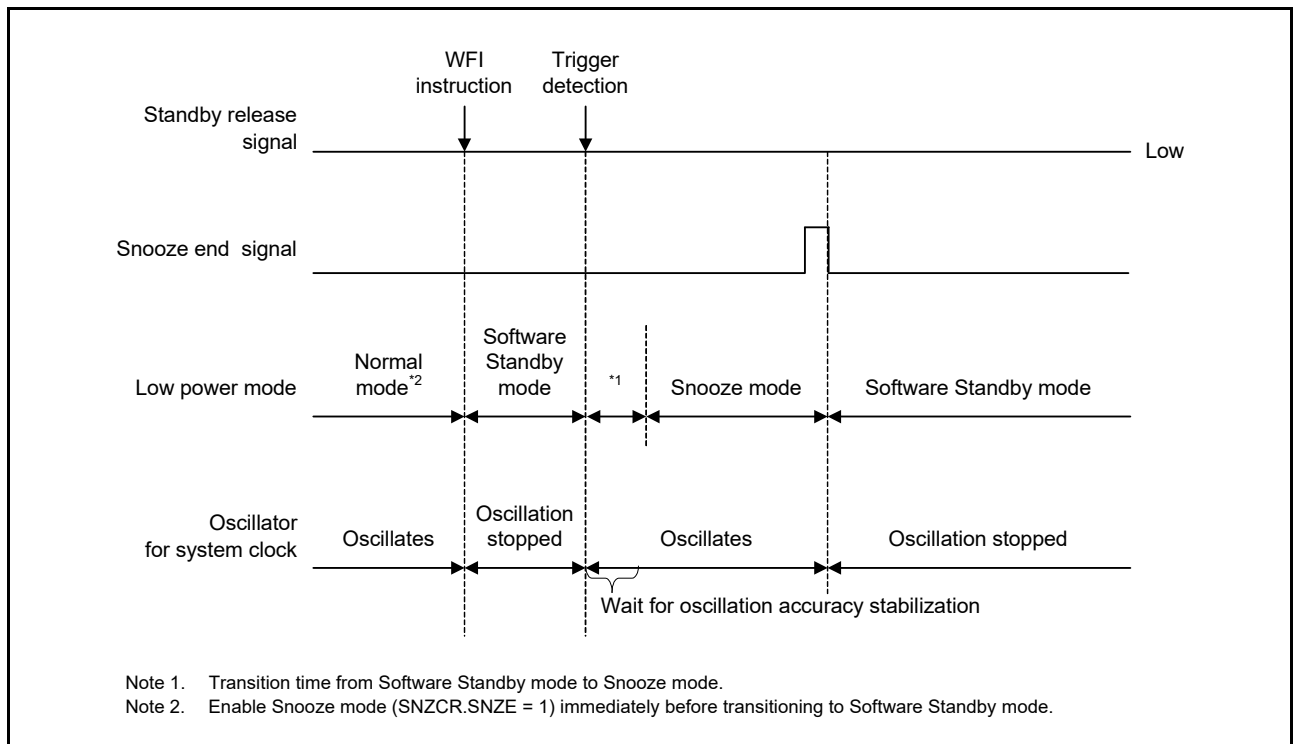


Figure 10.10 Canceling of Snooze mode when an interrupt request signal is not generated

10.8.4 Snooze Operation Example

Figure 10.11 shows an example setting for using ELC in Snooze mode.

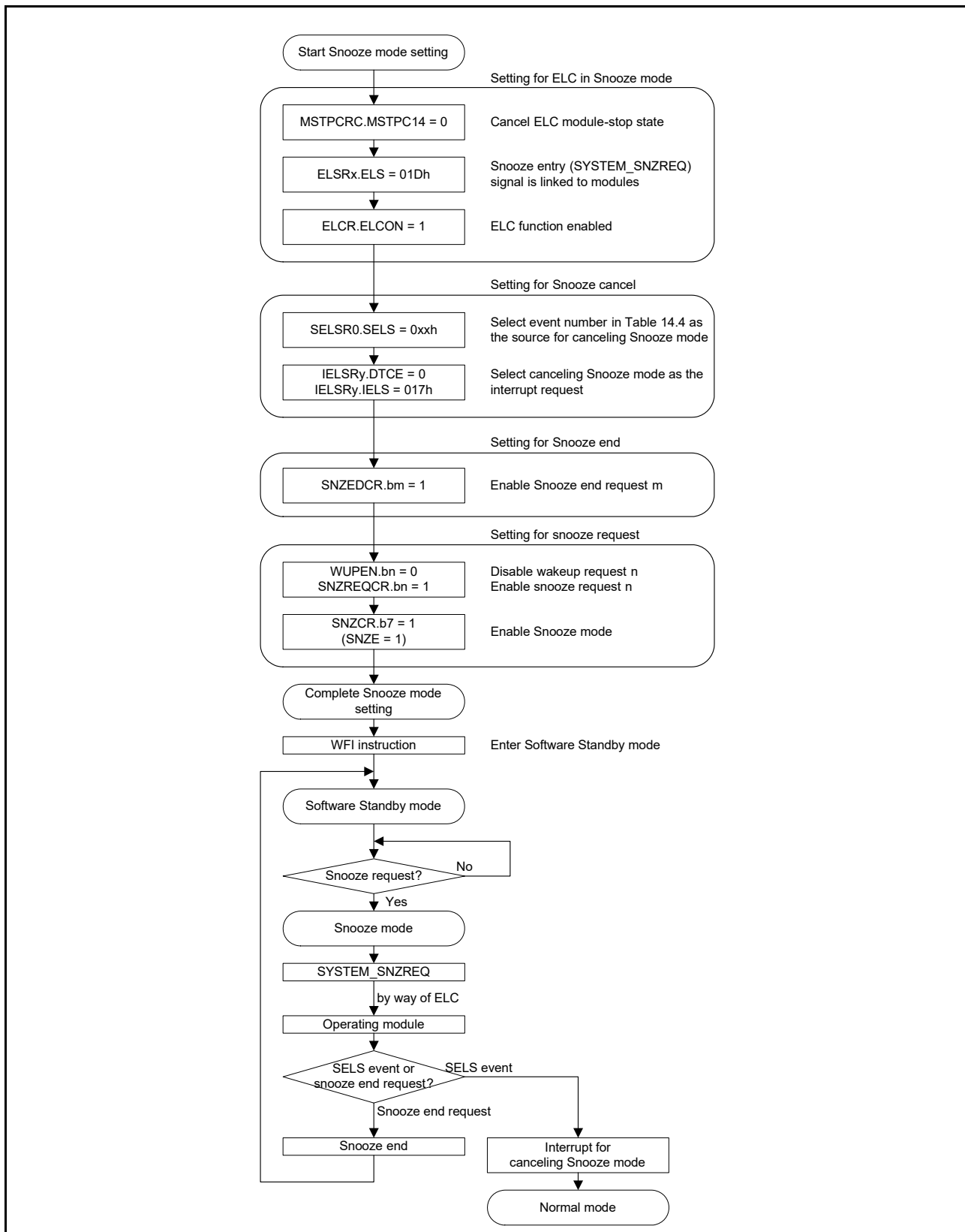


Figure 10.11 Setting example of using ELC in Snooze mode

The MCU can transmit and receive data in SCI0 asynchronous mode without CPU intervention. When using the SCI0 in Snooze mode, use one of the following operating modes:

- High-speed mode
- Middle-speed mode
- Low-speed mode.

Do not use Low-voltage mode or Subosc-speed mode.

Table 10.9 and Table 10.10 show the maximum transfer rate of SCI0 in Snooze mode.

When using the SCI0 in Snooze mode, set the following bits:

- Set BGDM to 0
- Set ABCS to 0
- Set ABCSE to 0.

See section 28, Serial Communications Interface (SCI) for details.

High-speed mode, Middle-speed mode, Low-speed mode

Table 10.9 HOCO: $\pm 1.0\%$ ($T_a = -20$ to 85°C)

(Unit: bps)

| Maximum division ratio of ICLK, PCLKA, PCLKB, PCLKC, PCLKD, FCLK, and TRCLK | HOCO frequency | | | |
|-----------------------------------------------------------------------------|----------------|--------|--------|--------|
| | 24 MHz | 32 MHz | 48 MHz | 64 MHz |
| 1 | 9600*1 | - | - | - |
| 2 | 9600*2 | 9600*4 | 4800 | - |
| 4 | 9600*3 | 9600*5 | 4800 | 2400 |
| 8 | 4800 | 4800 | 4800 | 2400 |
| 16 | 4800 | 4800 | 4800 | 2400 |
| 32 | 2400 | 2400 | 2400 | 2400 |
| 64 | 2400 | 2400 | 2400 | 2400 |

Note 1. SCI0.SMR.CKS[1:0] = 00b, SCI0.SEMR.BRME = 1, SCI0.BRR = 3Dh, SCI0.MDDR = CEh must be used for 9600 bps.

Note 2. SCI0.SMR.CKS[1:0] = 00b, SCI0.SEMR.BRME = 1, SCI0.BRR = 1Eh, SCI0.MDDR = CEh must be used for 9600 bps.

Note 3. SCI0.SMR.CKS[1:0] = 00b, SCI0.SEMR.BRME = 1, SCI0.BRR = 0Dh, SCI0.MDDR = BAh must be used for 9600 bps.

Note 4. SCI0.SMR.CKS[1:0] = 00b, SCI0.SEMR.BRME = 1, SCI0.BRR = 32h, SCI0.MDDR = FEh must be used for 9600 bps.

Note 5. SCI0.SMR.CKS[1:0] = 00b, SCI0.SEMR.BRME = 1, SCI0.BRR = 18h, SCI0.MDDR = F9h must be used for 9600 bps.

High-speed mode, Middle-speed mode, Low-speed mode

Table 10.10 HOCO: $\pm 2.0\%$ ($T_a = -40$ to -20°C , 85 to 105°C)

(Unit: bps)

| Maximum division ratio of ICLK, PCLKA, PCLKB, PCLKC, PCLKD, FCLK, and TRCLK | HOCO frequency | | | |
|-----------------------------------------------------------------------------|----------------|--------|--------|--------|
| | 24 MHz | 32 MHz | 48 MHz | 64 MHz |
| 1 | 2400 | - | - | - |
| 2 | 2400 | 2400 | 2400 | - |
| 4 | 2400 | 2400 | 2400 | 1200 |
| 8 | 2400 | 2400 | 2400 | 1200 |
| 16 | 2400 | 2400 | 2400 | 1200 |
| 32 | 1200 | 1200 | 1200 | 1200 |
| 64 | 1200 | 1200 | 1200 | 1200 |

Figure 10.12 shows an example setting for using the SCI0 in Snooze mode entry.

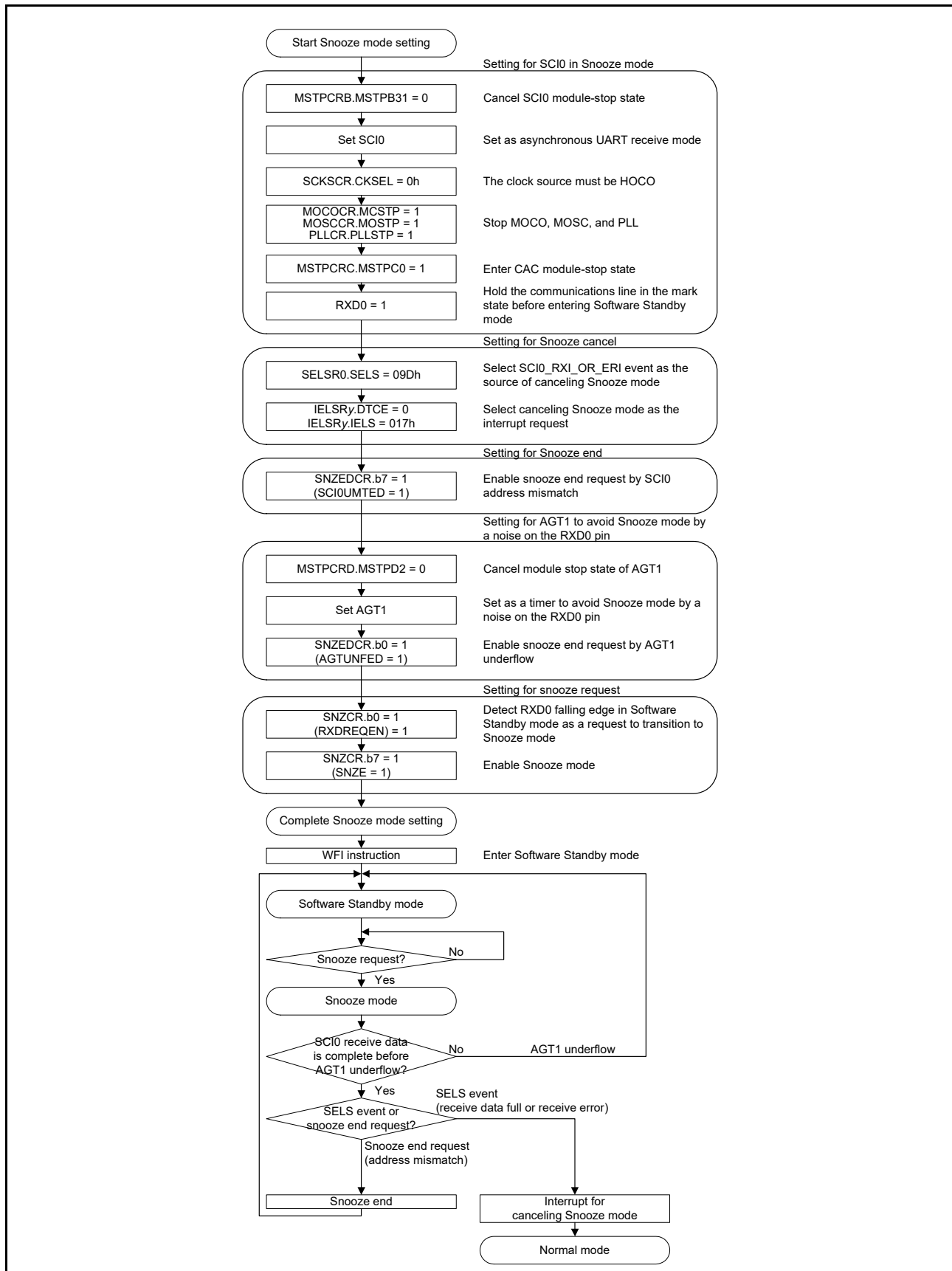


Figure 10.12 Setting example of using SCI0 in Snooze mode entry

10.9 Usage Notes

10.9.1 Register Access

(1) Invalid register write accesses during specific modes or transitions

Do not write to registers listed in this section in any of the following conditions.

[Registers]

- All registers with a peripheral name of SYSTEM.

[Conditions]

- OPCCR.OPCMTSF = 1 or SOPCCR.SOPCMTSF = 1 (during transition of the operating power control mode)
- Time period from executing a WFI instruction to returning to Normal mode
- FENTRYR.FENTRY0 = 1 or FENTRYR.FENTRYD = 1 (flash P/E mode, data flash P/E mode)
- FLSTOP.FLSTPF = 1 (during transition).

(2) Valid setting of the clock-related registers

Table 10.11 and Table 10.12 show the valid setting of the clock-related registers in each operating power control mode. Do not write any value other than the valid setting. Any other value written is ignored. Additionally, each register has certain prohibited settings under conditions other than those related to the operating power control modes. See section 8, [Clock Generation Circuit](#) for these other conditions for each register.

Table 10.11 Valid setting for clock-related registers (1)

| Mode | Valid setting | | | | | | | | |
|-----------------------------|-----------------------------------------------------------------------------------------|---------------------------------------------------------------------------------------------------|----------------------------------------------------------|------------------------------|------------------------------|------------------------------|------------------------------|------------------------------|------------------------------|
| | SCKSCR. CKSEL[2:0], CKOCR. CKOSEL[2:0] | SCKDIVCR. FCK[2:0], SCKDIVCR. ICK[2:0] | SLCDSCCKR. LCDSCCKSEL[2:0] | PLLCR. PLLSTP | HOCOGR. HCSTP | MOCOGR. MCSTP | LOCOGR. LCSTP | MOSCCR. MOSTP | SOSCCR. SOSTP |
| High-speed, Middle-speed | 000b (HOCO) 001b (MOCO) 010b (LOCO) 011b (MOSC) 100b (SOSC) 101b (PLL)*1 | 000b (1/1) 001b (1/2) 010b (1/4) 011b (1/8) 100b (1/16) 101b (1/32) 110b (1/64) | 000b (LOCO) 001b (SOSC) 010b (MOSC) 100b (HOCO) | 0 (operating) 1 (stopped) | 0 (operating) 1 (stopped) | 0 (operating) 1 (stopped) | 0 (operating) 1 (stopped) | 0 (operating) 1 (stopped) | 0 (operating) 1 (stopped) |
| Low-speed, Low-voltage | 000b (HOCO) 001b (MOCO) 010b (LOCO) 011b (MOSC) 100b (SOSC) | | | 1 (stopped) | | | | | |
| Subosc-speed | 010b (LOCO) 100b (SOSC) | 000b (1/1) | 000b (LOCO) 001b (SOSC) | 1 (stopped) | 1 (stopped) | 1 (stopped) | 0 (operating) 1 (stopped) | 1 (stopped) | 0 (operating) 1 (stopped) |

Note 1. SCKSCR.CKSEL[2:0] only.

Table 10.12 Valid setting for clock-related registers (2)

| Operating oscillator | Valid setting | |
|-----------------------------------|---------------|--------------------|
| | SOPCCR.SOPCM | OPCCR.OPCM[1:0] |
| PLL | 0 | 00b, 01b |
| High-speed on-chip oscillator | 0 | 00b, 01b, 10b, 11b |
| Middle-speed on-chip oscillator | | |
| Main clock oscillator | | |
| Low-speed on-chip oscillator | 0, 1 | 00b, 01b, 10b, 11b |
| Sub-clock oscillator | | |
| IWDT-dedicated on-chip oscillator | | |

(3) Invalid register write accesses in subosc-speed mode

Do not write to registers listed in this section for the following condition.

[Registers]

- SCKSCR, OPCCR.

[Condition]

- SOPCCR.SOPCM = 1 (Subosc-speed mode).

(4) Invalid register write accesses by DTC or DMAC

Do not write to registers listed in this section using the DTC or DMAC.

[Registers]

- MSTPCRA, MSTPCRB, MSTPCRC, MSTPCRD.

(5) Invalid register write accesses in Snooze mode

Do not write to the registers listed in this section in Snooze mode. They must be set before entering Software Standby mode.

[Registers]

- SNZCR, SNZEDCR, SNZREQCR.

(6) Invalid write access to set FLSTOP.FLSTOP bit to 1

Do not set the FLSTOP.FLSTOP bit to 1 under any of the following conditions:

[Conditions]

- SOPCCR.SOPCM = 0, OPCCR.OPCM[1:0] = 00b (High-speed mode)
- SOPCCR.SOPCM = 0, OPCCR.OPCM[1:0] = 01b (Middle-speed mode)
- SOPCCR.SOPCM = 0, OPCCR.OPCM[1:0] = 11b (Low-speed mode)
- SOPCCR.SOPCM = 1 (Subosc-speed mode).

(7) Invalid write access to set MEMWAIT.MEMWAIT bit to 1

Do not set the MEMWAIT.MEMWAIT bit to 1 in any of the following conditions:

[Conditions]

- SOPCCR.SOPCM = 0, OPCCR.OPCM[1:0] = 01 (Middle-speed mode)
- SOPCCR.SOPCM = 0, OPCCR.OPCM[1:0] = 10 (Low-voltage mode)
- SOPCCR.SOPCM = 0, OPCCR.OPCM[1:0] = 11 (Low-speed mode)
- SOPCCR.SOPCM = 1 (Subosc-speed mode).

(8) Invalid write access when PRCR.PRC1 bit is 0

Do not write to the registers listed in this section when PRCR.PRC1 bit is 0.

[Registers]

- SBYCR, SNZCR, SNZEDCR, SNZREQCR, FLSTOP, OPCCR, SOPCCR.

10.9.2 I/O Port States

The I/O port states in Software Standby mode and Snooze mode (except when modifying in Snooze mode) are the same before entering the modes. Therefore, power consumption is not reduced while the output signals are held high.

10.9.3 Module-Stop State of DMAC and DTC

Before writing 1 to MSTPCRA.MSTPA22, set the DMAST.DMST bit of the DMAC and the DTCST.DTCST bit of the

DTC to 0. For details, see [section 16, DMA Controller \(DMAC\)](#) and [section 17, Data Transfer Controller \(DTC\)](#).

10.9.4 Internal Interrupt Sources

Interrupts do not operate in the module-stop state. If the module-stop bit is set while an interrupt request is generated, a CPU interrupt source or a DMAC or DTC startup source cannot be cleared. For this reason, make sure you disable the corresponding interrupts before setting the module-stop bits.

10.9.5 Transition to Low Power Modes

Because the MCU does not support wakeup by event, do not enter low power modes (Sleep mode or Software Standby mode) by executing a WFE instruction. Also, do not set the SLEEPDEEP bit of the System Control Register in the Cortex[®]-M4 core because the MCU does not support low power modes by SLEEPDEEP.

10.9.6 Timing of WFI Instruction

It is possible for the WFI instruction to be executed before I/O register writes are complete, in which case operation might not proceed as intended. This can happen if the WFI instruction is executed immediately after a write to an I/O register. To avoid this problem, it is recommended that you read back the register that was written to confirm that the write completed. For example, reading the MSTPCRB register before executing the WFI instruction can secure the period to complete writing to the I/O register.

10.9.7 Writing WDT/IWDT Registers by DMAC or DTC in Sleep Mode or Snooze Mode

Do not write to the registers in WDT or IWDT using the DMAC or DTC while WDT or IWDT stops by entering Sleep mode or Snooze mode.

10.9.8 Oscillators in Snooze Mode

Oscillators that stop by entering Software Standby mode automatically restart when a trigger to switch to Snooze mode is generated. The MCU does not enter Snooze mode until all the oscillators stabilize. If in Snooze mode, make sure to disable oscillators that are not required in Snooze mode before entering Software Standby mode. Otherwise, the transition from Software Standby mode to Snooze mode takes longer.

10.9.9 Snooze Mode Entry by RXD0 Falling Edge

When the SNZCR.RXDREQEN bit is 1, noise on the RXD0 pin might cause the MCU to transition from Software Standby mode to Snooze mode. Any subsequent RXD0 data can be received in Snooze mode by a noise on the RXD0 pin. If the MCU does not receive RXD0 data after the noise, interrupts such as SCI0_ERI or SCI0_RXI, and address mismatch events are not generated, and the MCU stays in Snooze mode. To avoid this, an AGT1 underflow interrupt must be used to return to Software Standby mode or Normal mode when using SCI0 in Snooze mode. However, do not use the AGT1 underflow as a source to return to Software Standby mode during an SCI communication. This causes the SCI0 to stop the operation in a half-finished state.

10.9.10 Using SCI0 in Snooze Mode

When using SCI0 in Snooze mode, a wakeup request other than an AGT1 underflow must not be used.

When using SCI0 in Snooze mode, the following conditions must be satisfied:

- The clock source must be HOCO
- MOCO, MOSC, and PLL must stop before entering Software Standby mode
- The RXD0 pin must be kept at high level before entering Software Standby mode
- A transition to Software Standby mode must not occur during an SCI communication
- The MSTPCRC.MSTPC0 bit must be 1 before entering Software Standby mode.

10.9.11 Conditions of A/D Conversion Start in Snooze Mode

The A/D converter can only be triggered by the ELC in Snooze mode. Do not use a software trigger or ADTRG0 pin.

10.9.12 Conditions of CTSU in Snooze Mode

The CTSU can only be started by the ELC in Snooze mode.

10.9.13 ELC Event in Snooze Mode

The ELC events available in Snooze mode are listed in this section. Do not use any other events. If starting peripheral modules for the first time after entering Snooze mode, the Event Link Setting Register (ELSRn) must set a Snooze mode entry event (SYSTEM_SNZREQ) as the trigger.

- Snooze mode entry (SYSTEM_SNZREQ)
- DTC transfer end (DTC_DTCEND)
- ADC140 window A/B compare match (ADC140_WCMPPM)
- ADC140 window A/B compare mismatch (ADC140_WCMPUM)
- Data operation circuit interrupt (DOC_DOPCI).

10.9.14 Module-Stop Function for ADC140

When entering the Software Standby mode, it is recommended that you set the ADC140 module-stop state to reduce power consumption. In this case, the ADC140 can be available in the Snooze mode by releasing the ADC140 module-stop using the DTC. Similarly, set the module-stop using the DTC before returning to Software Standby mode from Snooze mode.

10.9.15 Module-Stop Function for an Unused Circuit

A circuit that is not used in user mode might not be reset, and might operate in an unstable state because the clocks are not supplied during an MCU reset. In this case, when the MCU transitions to Low-speed mode or Software Standby mode, the supply current could increase to a value greater than the specified value (as provided in this User's Manual), by up to 600 μ A. So, initialize the unused circuit as shown in [Figure 10.13](#).

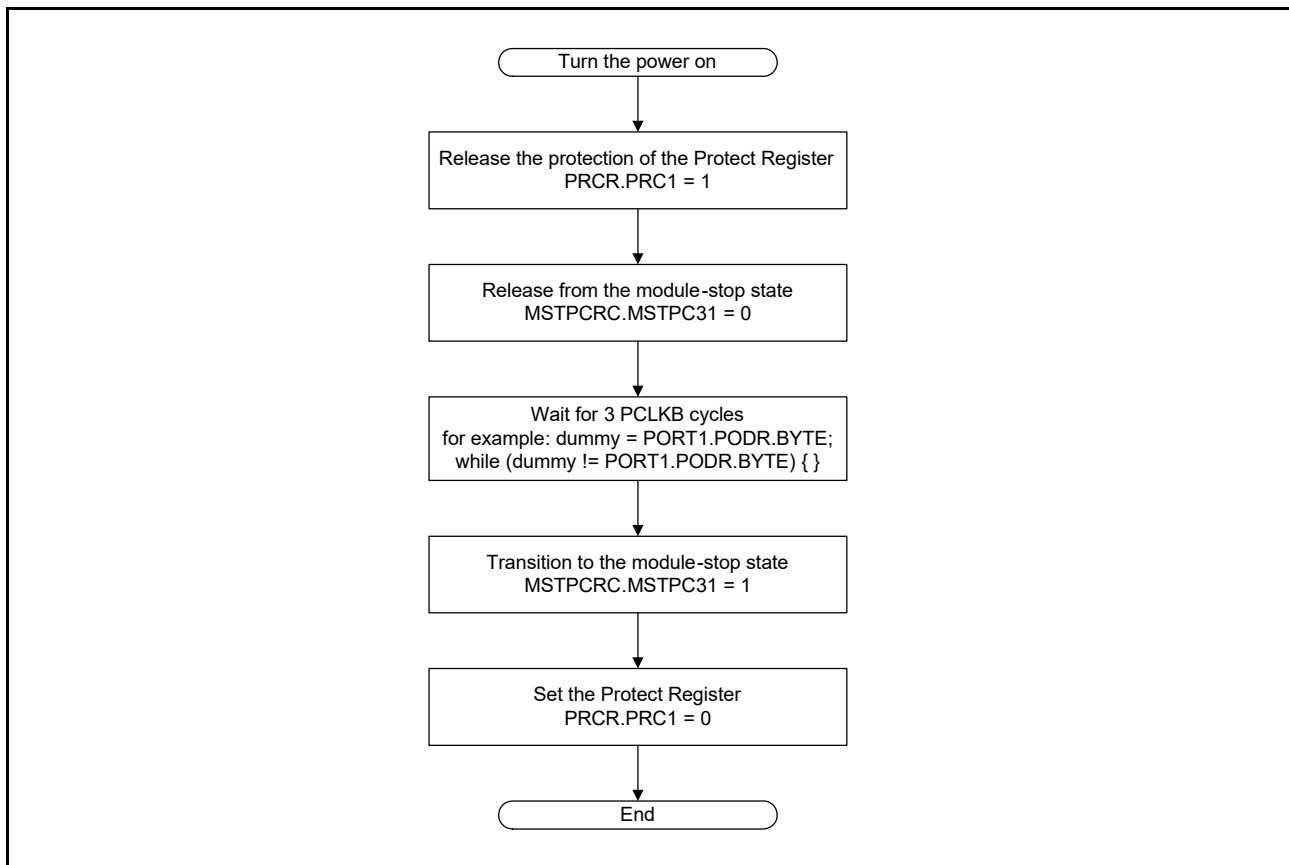


Figure 10.13 Initial setting flow example for an unused circuit

11. Battery Backup Function

11.1 Overview

The MCU provides a battery backup function that maintains partial battery powering in the event of a power loss. Switching between VCC and VBATT, the battery-powered area includes RTC, SOSC, LOCO, Wakeup Control/Backup Memory, VBATT_R Low Voltage Detection, and VBATT Low Voltage Detection.

During normal operation, the battery-powered area is powered by the main power supply, the VCC pin. When a VCC voltage drop is detected, the power source switches to the dedicated battery backup power pin, the VBATT pin. When the voltage rises again, the power source switches back from VBATT to VCC. [Table 11.1](#) lists the VBATT wakeup I/O pin configuration.

Table 11.1 VBATT wakeup I/O pin configuration

| Pin Name | I/O | Function |
|----------------------|--------------|----------------------------------------------------------------------------------------------------------------------------|
| VBATWIO _n | Input/Output | Output wakeup signal for the VBATT Wakeup Control function. External event input for the VBATT Wakeup Control function. |

Note: n = 0 to 2.

11.1.1 Features of Battery Backup Function

Battery backup features include:

- Battery power supply switch
- VBATT pin low voltage detection
- VBATT_R low voltage detection
- Backup registers
- VBATT wakeup control function
- Time capture pin detection.

11.1.2 Battery Power Supply Switch

When the voltage applied to the VCC pin drops, this feature switches the power supply from the VCC pin to the VBATT pin. When the voltage rises, it switches the power supply from the VBATT pin back to the VCC pin.

The switch is controlled by the VBTCR1.BPWSWSTP bit. By default, switching is enabled. It can be disabled by setting the VBTCR1.BPWSWSTP bit to 1.

11.1.3 VBATT Pin Low Voltage Detection

The VBATT low voltage detection function supports the battery-powered area. This function monitors whether power is supplied to the VBATT pin.

It is possible to detect a low voltage condition of the power supply using a flag provided in the VBATT status register.

11.1.4 VBATT_R Low Voltage Detection

VBATT_R low voltage detection function supports the battery-powered area. This function monitors the VBATT_R voltage level. VBATT_R is the output voltage of the battery power supply switch.

This low voltage detection causes a VBATT_POR reset and initializes the battery-powered area. See details in each register description. The VBATT status register includes a flag to check for this low voltage detection.

11.1.5 Backup Registers

The battery-powered area provides 512 one-byte backup registers. These registers retain data only when VBATT is supplied and VCC is powered off. This memory is checked by the VBATT pin low voltage detection.

11.1.6 VBATT Wakeup Control Function

The VBATT wakeup control function is a function that can toggle the VBATWIO[2:0] pins when the RTC alarm, periodic signal, or VBATWIO_n (n = 0 to 2) input signal is asserted when VBATT_R is powered by the VBATT pin.

Note: The toggle triggered by the wakeup control function does not generate an interrupt to the ICU or a reset to the reset module. The use case of this function is that the output toggle triggers other devices on board to control the VCC power supply. For details, see [section 11.3.5, VBATT Wakeup Control Function Usage](#).

11.1.7 Time Capture Pin Detection

The RTC detects input level changes on the time capture pins, RTCIC_n (n = 0 to 2).

For the function of the RTCIC_n pins, see [section 24, Realtime Clock \(RTC\)](#). To use the RTCIC_n pins, set the VBTICTLR register as described in [section 11.2, Register Descriptions](#).

Note: When the battery backup function is not used, the VBATT pin must be connected to the VCC pin.

Note: When power is turned on, power is not supplied to the RTC, the SOSC (including multiplexed port), or the LOCO before setting the VBTCR1.BPWSWSTP bit to 1. It takes the VBATT_POR reset time $t_{VBATPOR}$ as described in [section 48, Electrical Characteristics](#) to supply power to the modules after setting the VBTCR1.BPWSWSTP bit. The VBTCR1.BPWSWSTP bit must be set to 1 after a power-on reset, regardless of whether the VBATT function is used. See [section 11.2.1, VBATT Control Register 1 \(VBTCR1\)](#) for details.

Figure 11.1 shows the configuration of the battery backup function.

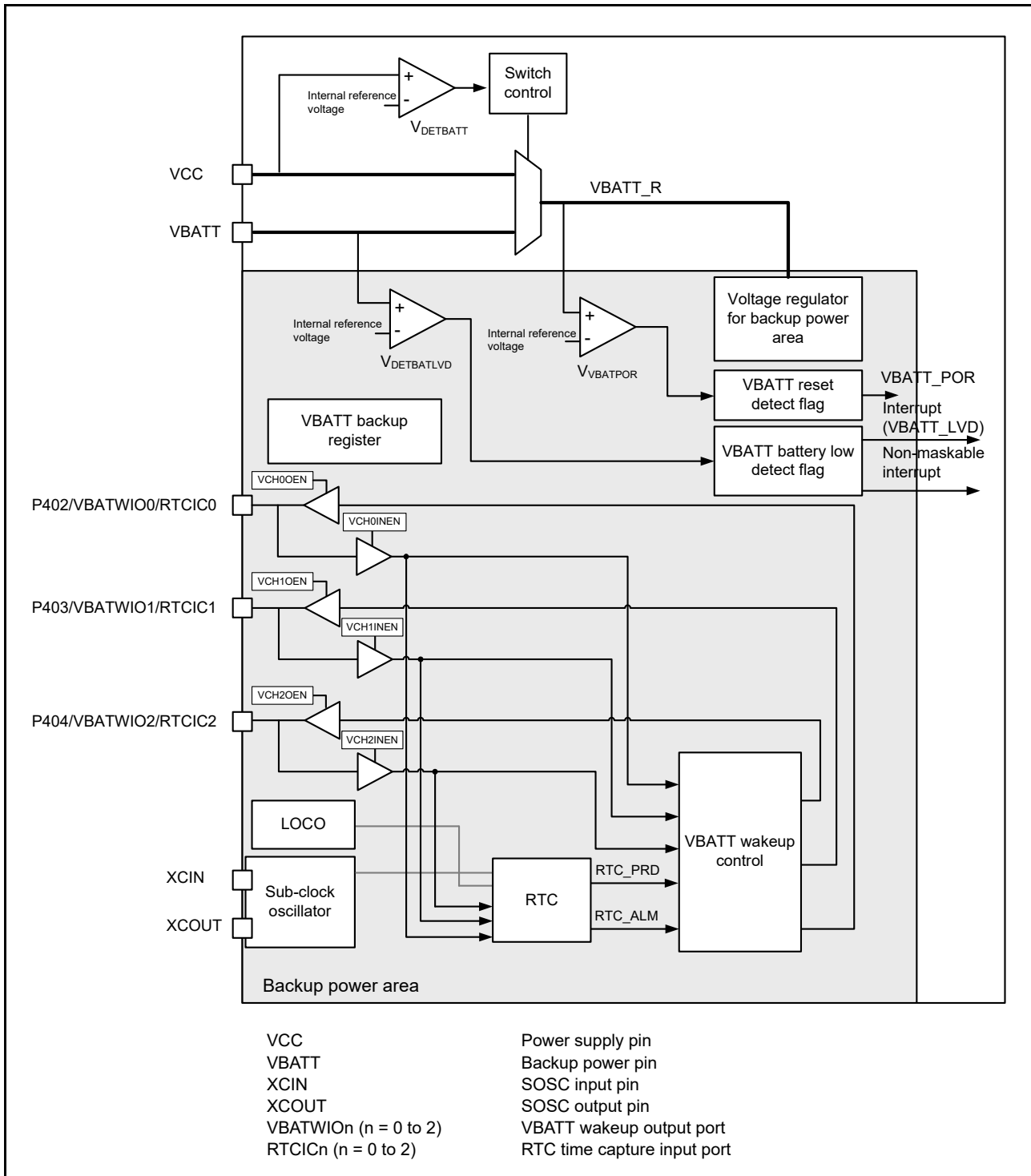
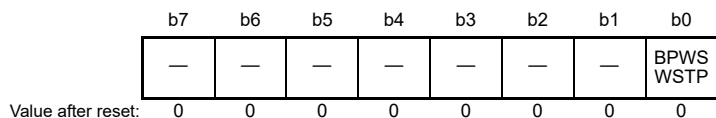


Figure 11.1 Configuration of the battery backup function

11.2 Register Descriptions

11.2.1 VBATT Control Register 1 (VBTCR1)

Address(es): [SYSTEM.VBTCR1 4001 E41Fh](#)



| Bit | Symbol | Bit name | Description | R/W |
|----------|--------------------------|----------------------------------|-------------------------------------------------------------------------------|-----|
| b0 | BPWSWSTP | Battery Power Supply Switch Stop | 0: Enable battery power supply switch 1: Stop battery power supply switch. | R/W |
| b7 to b1 | — | Reserved | These bits are read as 0. The write value should be 0. | R/W |

BPWSWSTP bit (Battery Power Supply Switch Stop)

The BPWSWSTP bit can enable the battery power supply switch to switch the battery backup module supply voltage from VCC to VBATT when the voltage applied to the VCC pin drops. When stopped, the battery backup module power supply is always from VCC. To disable the battery backup function, write 1 to this bit. This bit is initialized only by a power-on reset.

Note: This bit can be set without checking the VBATSR.VBTRVLD bit status.

Note: The VBTCR1.BPWSWSTP bit must be set to 1 after a power-on reset, regardless of whether the VBATT function is used. The setting flow of the VBTCR1.BPWSWSTP bit is shown in [Figure 11.2](#). Also, the VBTCR1.BPWSWSTP bit must be cleared after other related registers are set, when the VBATT function is used.

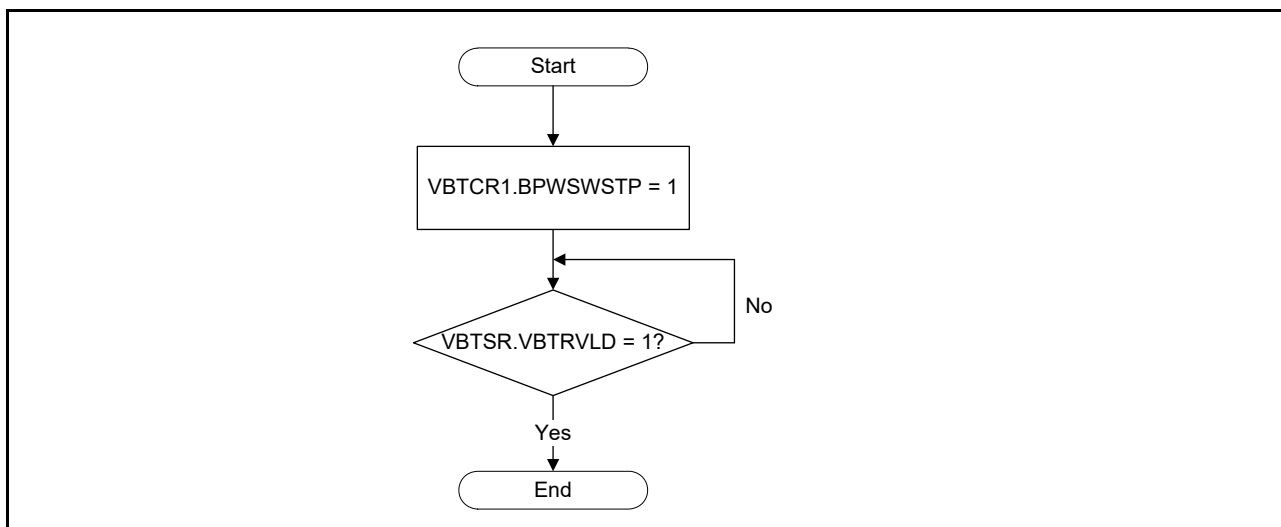


Figure 11.2 Setting flow of the VBTCR1.BPWSWSTP bit

Note: In [Figure 11.2](#), if the VBTSR.VBTRVLD bit is not 1, it takes the VBATT_POR reset time $t_{VBATPOR}$ as described in [section 48, Electrical Characteristics](#), to exit the loop.

The following registers cannot be accessed when the VBTSR.VBTRVLD bit is 0. Other registers can be accessed regardless of this condition:

- LOCOCR, LOCOUTCR, SOSCCR, and SOMCR described in [section 8, Clock Generation Circuit](#)
- All registers described in this section except for VBTCR1 and the VBTSR.VBTRVLD bit
- All registers described in [section 24, Realtime Clock \(RTC\)](#).

11.2.2 VBATT Control Register 2 (VBTCR2)

Address(es): SYSTEM.VBTCR2 4001 E4B0h

| | | | | | | | |
|----------------|----|----|----------|----|----|----|----|
| b7 | b6 | b5 | b4 | b3 | b2 | b1 | b0 |
| VBTLVDLVL[1:0] | | — | VBTLVDEN | — | — | — | — |

Value after reset: 0 0 0 0 0 0 0 0

| Bit | Symbol | Bit name | Description | R/W |
|----------|----------------|-------------------------------------------|--------------------------------------------------------------------------------------------|-----|
| b3 to b0 | — | Reserved | These bits are read as 0. The write value should be 0. | R/W |
| b4 | VBTLVDEN | VBATT Pin Low Voltage Detect Enable | 0: VBATT pin low voltage detection disabled 1: VBATT pin low voltage detection enabled. | R/W |
| b5 | — | Reserved | This bit is read as 0. The write value should be 0. | R/W |
| b7, b6 | VBTLVDLVL[1:0] | VBATT Pin Low Voltage Detect Level Select | b7 b6 0 0: Reserved 0 1: Setting prohibited 1 0: 2.3 V 1 1: 2.1 V. | R/W |

The VBTCR2 register controls the VBATT pin low voltage detection function. VBTCR2 is reset by the VBATT_POR signal.

VBTLVDEN bit (VBATT Pin Low Voltage Detect Enable)

The VBTLVDEN bit controls the VBATT pin low voltage detection.

VBTLVDLVL[1:0] bits (VBATT Pin Low Voltage Detect Level Select)

The VBTLVDLVL[1:0] bits select the VBATT pin low voltage detection level.

11.2.3 VBATT Status Register (VBTSR)

Address(es): SYSTEM.VBTSR 4001 E4B1h

| | | | | | | | |
|----|----|----|---------|----|----|---------|--------|
| b7 | b6 | b5 | b4 | b3 | b2 | b1 | b0 |
| — | — | — | VBTRVLD | — | — | VBTBLDF | VBTRDF |

Value after reset: 0 0 0 0*5 0 0 0*2 1*1

| Bit | Symbol | Bit name | Description | R/W |
|----------|---------|---------------------------------|--------------------------------------------------------------------------------------------------------|---------|
| b0 | VBTRDF | VBATT_R Reset Detect Flag | 0: VBATT_R voltage power-on reset not detected 1: VBATT_R selected voltage power-on reset detected. | R/(W)*3 |
| b1 | VBTLDF | VBATT Battery Low Detect Flag*4 | 0: VBATT pin low voltage not detected 1: VBATT pin low voltage detected. | R/(W)*3 |
| b3, b2 | — | Reserved | These bits are read as 0. The write value should be 0. | R/W |
| b4 | VBTRVLD | VBATT_R Valid | 0: VBATT_R area not valid 1: VBATT_R area valid. | R |
| b7 to b5 | — | Reserved | These bits are read as 0. The write value should be 0. | R/W |

Note 1. This flag is only set by the VBATT_POR reset.

Note 2. This flag is only reset by the VBATT_POR reset.

Note 3. Only 0 can be written after reading 1.

Note 4. This flag is only valid when VBTLVDEN is 1. If VBTLVDEN is 0, this flag is read as 0.

Note 5. Depends on the VBATT_R voltage level.

VBTRDF flag (VBATT_R Reset Detect Flag)

The VBTRDF flag indicates that a VBATT_R (selected voltage of VCC or VBATT) power-on reset occurs.

[Setting condition]

- When a VBATT_R voltage power-on reset occurs.

[Clearing condition]

- When VBTRDF is read as 1 and 0 is written to VBTRDF.

VBTLDF flag (VBATT Battery Low Detect Flag)

The VBTLDF flag indicates that a VBATT pin low voltage detection occurs.

[Setting condition]

- When VBATT pin low voltage detection occurs.

[Clearing condition]

- When VBTLDF is read as 1 and 0 is written to VBTLDF.

VBTRVLD bit (VBATT_R Valid)

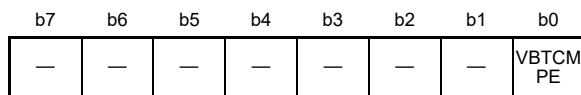
Check whether the VBATT area is valid.

The VBTRVLD bit checks whether the VBATT_R area is valid. It must confirm that the VBTRVLD bit is 1 before writing to or reading from the following registers:

- LOCOCR, LOCOUTCR, SOSCCR, and SOMCR described in [section 8, Clock Generation Circuit](#)
- All registers described in this section except for VBTCR1 and the VBTSR.VBTRVLD bit
- All registers described in [section 24, Realtime Clock \(RTC\)](#).

11.2.4 VBATT Comparator Control register (VBTCMPCR)

Address(es): [SYSTEM.VBTCMPCR 4001 E4B2h](#)



Value after reset: 0 0 0 0 0 0 0 0

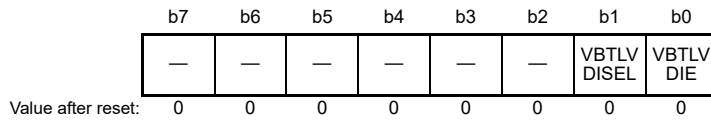
| Bit | Symbol | Bit name | Description | R/W |
|----------|-------------------------|----------------------------------------------------|--------------------------------------------------------------------------------------------------------------------|-----|
| b0 | VBTCMPE | VBATT Pin Low Voltage Detect Circuit Output Enable | 0: VBATT pin low voltage detect circuit output disabled 1: VBATT pin low voltage detect circuit output enabled. | R/W |
| b7 to b1 | — | Reserved | These bits are read as 0. The write value should be 0. | R/W |

VBTCMPE bit (VBATT Pin Low Voltage Detect Circuit Output Enable)

The VBTCMPE bit controls the VBATT pin low voltage detection circuit output. This bit is initialized by the VBATT_POR signal.

11.2.5 VBATT Pin Low Voltage Detect Interrupt Control Register (VBTLVDIR)

Address(es): SYSTEM.VBTLVDIR 4001 E4B4h

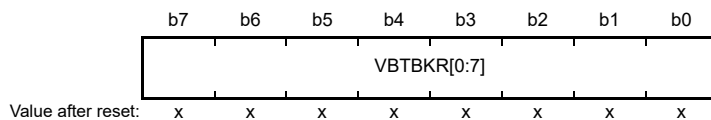


| Bit | Symbol | Bit name | Description | R/W |
|----------|-------------|-----------------------------------------------|----------------------------------------------------------------------------------------------------------------|-----|
| b0 | VBTLVDIR | VBATT Pin Low Voltage Detect Interrupt Enable | 0: VBATT pin low voltage detection interrupt disabled 1: VBATT pin low voltage detection interrupt enabled. | R/W |
| b1 | VBTLVDIRSEL | Pin Low Voltage Detect Interrupt Select | 0: Non-maskable interrupt 1: Maskable interrupt. | R/W |
| b7 to b2 | — | Reserved | These bits are read as 0. The write value should be 0. | R/W |

The VBTLVDIR is reset by the VBATT_POR signal.

11.2.6 VBATT Backup Register (VBTBKRn) (n = 0 to 511)

Address(es): SYSTEM.VBTBKR0 4001 E500h to SYSTEM.VBTBKR511 4001 E6FFh



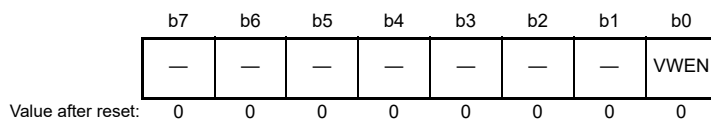
x: Undefined

VBTBKRn is an 8-bit access read/write register to store data powered by VBATT. The value of this register is saved even in VBATT mode. This register is not initialized by any reset.

Note: When accessing the VBATT Backup Register, the VCC level must be over V_{BKBATT} as described in [section 48, Electrical Characteristics](#).

11.2.7 VBATT Wakeup Control Register (VBTWCTLR)

Address(es): SYSTEM.VBTWCTLR 4001 E4B6h



| Bit | Symbol | Bit name | Description | R/W |
|----------|--------|---------------------|----------------------------------------------------------|-----|
| b0 | VWEN | VBATT Wakeup Enable | 0: Disable wakeup function 1: Enable wakeup function. | R/W |
| b7 to b1 | — | Reserved | These bits are read as 0. The write value should be 0. | R/W |

The VBTWCTLR register controls the VBATT wakeup control function. VBTWCTLR is reset by the VBATT_POR signal.

VWEN bit (VBATT Wakeup Enable)

The VWEN bit enables the VBATT wakeup control function. When the VWEN bit is set to 0 and the VBTWCTLR.VCHnOEN (n = 0 to 2) bit is set to 1, the VBATWION (n = 0 to 2) pin output is low level. When the VWEN bit is set to 1, the output from the VBATWION pin changes to the level specified by the

VBTOCTLR.VOUTnLSEL (n = 0 to 2) bit.

Set the VWEN bit to 1 only after setting of the following registers is complete. Set the VWEN bit to 0 first before modifying the following registers:

- VBTWCHnOTSR
- VBTICTLR
- VBTOCTLR
- VBTWTER
- VBTWEGR (n = 0 to 2).

11.2.8 VBATT Wakeup I/O 0 Output Trigger Select Register (VBTWCH0OTSR)

Address(es): SYSTEM.VBTWCH0OTSR 4001 E4B8h

| b7 | b6 | b5 | b4 | b3 | b2 | b1 | b0 |
|----|----|----|------------|-----------|-----------|-----------|----|
| — | — | — | CH0VRTCATE | CH0VRTCTE | CH0VCH2TE | CH0VCH1TE | — |
| 0 | 0 | 0 | 0 | 0 | 0 | 0 | 0 |

Value after reset:

| Bit | Symbol | Bit name | Description | R/W |
|----------|------------|--------------------------------------------|------------------------------------------------------------------------------------------------------------------------------------------------------|-----|
| b0 | — | Reserved | This bit is read as 0. The write value should be 0. | R/W |
| b1 | CH0VCH1TE | VBATWIO0 Output VBATWIO1 Trigger Enable | 0: VBATT wakeup I/O 0 output trigger by the VBATWIO1 pin disabled 1: VBATT wakeup I/O 0 output trigger by the VBATWIO1 pin enabled. | R/W |
| b2 | CH0VCH2TE | VBATWIO0 Output VBATWIO2 Trigger Enable | 0: VBATT wakeup I/O 0 output trigger by the VBATWIO2 pin disabled 1: VBATT wakeup I/O 0 output trigger by the VBATWIO2 pin enabled. | R/W |
| b3 | CH0VRTCTE | VBATWIO0 Output RTC Periodic Signal Enable | 0: VBATT wakeup I/O 0 output trigger by the RTC periodic signal disabled 1: VBATT wakeup I/O 0 output trigger by the RTC periodic signal enabled. | R/W |
| b4 | CH0VRTCATE | VBATWIO0 Output RTC Alarm Signal Enable | 0: VBATT wakeup I/O 0 output trigger by the RTC alarm signal disabled 1: VBATT wakeup I/O 0 output trigger by the RTC alarm signal enabled. | R/W |
| b7 to b5 | — | Reserved | These bits are read as 0. The write value should be 0. | R/W |

The VBTWCH0OTSR controls the VBATT wakeup I/O 0 output trigger source.

If this register bit is set to 1 and the associated wakeup trigger flag in the VBTWFR register is set, the VBATWIO0 pin outputs a signal based on the VOUT0LSEL bit in the VBTOCTLR register.

The VBTWCH0OTSR register is initialized by the VBATT_POR signal.

11.2.9 VBATT Wakeup I/O 1 Output Trigger Select Register (VBTWCH1OTSR)

Address(es): [SYSTEM.VBTWCH1OTSR 4001 E4B9h](#)

| | | | | | | | |
|--------------------|----|----|------------|-----------|-----------|----|-----------|
| b7 | b6 | b5 | b4 | b3 | b2 | b1 | b0 |
| — | — | — | CH1VRTCATE | CH1VRTCTE | CH1VCH2TE | — | CH1VCH0TE |
| Value after reset: | 0 | 0 | 0 | 0 | 0 | 0 | 0 |

| Bit | Symbol | Bit name | Description | R/W |
|----------|----------------------------|--------------------------------------------|------------------------------------------------------------------------------------------------------------------------------------------------------|-----|
| b0 | CH1VCH0TE | VBATWIO1 Output VBATWIO0 Trigger Enable | 0: VBATT wakeup I/O 1 output trigger by the VBATWIO0 pin disabled 1: VBATT wakeup I/O 1 output trigger by the VBATWIO0 pin enabled. | R/W |
| b1 | — | Reserved | This bit is read as 0. The write value should be 0. | R/W |
| b2 | CH1VCH2TE | VBATWIO1 Output VBATWIO2 Trigger Enable | 0: VBATT wakeup I/O 1 output trigger by the VBATWIO2 pin disabled 1: VBATT wakeup I/O 1 output trigger by the VBATWIO2 pin enabled. | R/W |
| b3 | CH1VRTCTE | VBATWIO1 Output RTC Periodic Signal Enable | 0: VBATT wakeup I/O 1 output trigger by the RTC periodic signal disabled 1: VBATT wakeup I/O 1 output trigger by the RTC periodic signal enabled. | R/W |
| b4 | CH1VRTCATE | VBATWIO1 Output RTC Alarm Signal Enable | 0: VBATT wakeup I/O 1 output trigger by the RTC alarm signal disabled 1: VBATT wakeup I/O 1 output trigger by the RTC alarm signal enabled. | R/W |
| b7 to b5 | — | Reserved | These bits are read as 0. The write value should be 0. | R/W |

The VBTWCH1OTSR controls the VBATT wakeup I/O 1 output trigger source.

If this register bit is set to 1 and the associated wakeup trigger flag in the VBTWFR register is set, VBATWIO1 pin outputs a signal based on the VOUTILSEL bit in the VBTOCTLR register.

The VBTWCH1OTSR register is initialized by the VBATT_POR signal.

11.2.10 VBATT Wakeup I/O 2 Output Trigger Select Register (VBTWCH2OTSR)

Address(es): [SYSTEM.VBTWCH2OTSR 4001 E4BAh](#)

| | | | | | | | |
|--------------------|----|----|------------|-----------|----|-----------|-----------|
| b7 | b6 | b5 | b4 | b3 | b2 | b1 | b0 |
| — | — | — | CH2VRTCATE | CH2VRTCTE | — | CH2VCH1TE | CH2VCH0TE |
| Value after reset: | 0 | 0 | 0 | 0 | 0 | 0 | 0 |

| Bit | Symbol | Bit name | Description | R/W |
|-----|---------------------------|-----------------------------------------|----------------------------------------------------------------------------------------------------------------------------------------|-----|
| b0 | CH2VCH0TE | VBATWIO2 Output VBATWIO0 Trigger Enable | 0: VBATT wakeup I/O 2 output trigger by the VBATWIO0 pin disabled 1: VBATT wakeup I/O 2 output trigger by the VBATWIO0 pin enabled. | R/W |
| b1 | CH2VCH1TE | VBATWIO2 Output VBATWIO1 Trigger Enable | 0: VBATT wakeup I/O 2 output trigger by the VBATWIO1 pin disabled 1: VBATT wakeup I/O 2 output trigger by the VBATWIO1 pin enabled. | R/W |
| b2 | — | Reserved | This bit is read as 0. The write value should be 0. | R/W |

| | | | | |
|----------|-------------------|--------------------------------------------|------------------------------------------------------------------------------------------------------------------------------------------------------|-----|
| b3 | CH2VRTCTE | VBATWIO2 Output RTC Periodic Signal Enable | 0: VBATT wakeup I/O 2 output trigger by the RTC periodic signal disabled 1: VBATT wakeup I/O 2 output trigger by the RTC periodic signal enabled. | R/W |
| b4 | CH2VRTCATE | VBATWIO2 Output RTC Alarm Signal Enable | 0: VBATT wakeup I/O 2 output trigger by the RTC alarm signal disabled 1: VBATT wakeup I/O 2 output trigger by the RTC alarm signal enabled. | R/W |
| b7 to b5 | — | Reserved | These bits are read as 0. The write value should be 0. | R/W |

The VBTWCH2OTSR controls the VBATT wakeup I/O 2 output trigger source.

When this register bit is set to 1 and the associated wakeup trigger flag in the VBTWFR register is set, VBATWIO2 pin outputs a signal based on the VOUT2LSEL bit in the VBTOCTLR register.

The VBTWCH2OTSR register is initialized by the VBATT_POR signal.

11.2.11 VBATT Input Control Register (VBTICTLR)

Address(es): **SYSTEM.VBTICTLR 4001 E4BBh**

| | | | | | | | | |
|--------------------|----|----|----|----|----|----------|----------|----------|
| | b7 | b6 | b5 | b4 | b3 | b2 | b1 | b0 |
| | — | — | — | — | — | VCH2INEN | VCH1INEN | VCH0INEN |
| Value after reset: | 0 | 0 | 0 | 0 | 0 | 0 | 0 | 0 |

| Bit | Symbol | Bit name | Description | R/W |
|----------|-----------------|---------------------------------|----------------------------------------------------------------------------------|-----|
| b0 | VCH0INEN | VBATT Wakeup I/O 0 Input Enable | 0: VBATWIO0, RTCIC0 inputs disabled 1: VBATWIO0, RTCIC0 inputs enabled. | R/W |
| b1 | VCH1INEN | VBATT Wakeup I/O 1 Input Enable | 0: VBATWIO1, RTCIC1 inputs disabled 1: VBATWIO1, RTCIC1 inputs enabled. | R/W |
| b2 | VCH2INEN | VBATT Wakeup I/O 2 Input Enable | 0: VBATWIO2 and RTCIC2 inputs disabled 1: VBATWIO2 and RTCIC2 inputs enabled. | R/W |
| b7 to b3 | — | Reserved | These bits are read as 0. The write value should be 0. | R/W |

The VBTICTLR register selects VBATT wakeup I/O pins input direction. VBTICTLR is reset by the VBATT_POR signal.

VCHnINEN bit (VBATT Wakeup I/O n Input Enable Bit) (n = 0 to 2)

The VCHnINEN bit defines the VBATT wakeup I/O pin input enable. You must set the VBTICTLR register when using only the VBATT wakeup control function but also the time capture function of RTC (RTCICn (n = 0 to 2)). For these functions, see [section 24, Realtime Clock \(RTC\)](#).

11.2.12 VBATT Output Control Register (VBTOCTLR)

Address(es): SYSTEM.VBTOCTLR 4001 E4BCh

| | b7 | b6 | b5 | b4 | b3 | b2 | b1 | b0 |
|--------------------|----|----|---------------|---------------|---------------|-------------|-------------|-------------|
| | — | — | VOUT2 LSEL | VOUT1 LSEL | VOUT0 LSEL | VCH2O EN | VCH1O EN | VCH0O EN |
| Value after reset: | 0 | 0 | 0 | 0 | 0 | 0 | 0 | 0 |

| Bit | Symbol | Bit name | Description | R/W |
|--------|-----------|-------------------------------------------|-------------------------------------------------------------------------------------|-----|
| b0 | VCH0OEN | VBATT Wakeup I/O 0 Output Enable | 0: VBATWIO0 output disabled 1: VBATWIO0 output enabled.*1, *2 | R/W |
| b1 | VCH1OEN | VBATT Wakeup I/O 1 Output Enable | 0: VBATWIO1 output disabled 1: VBATWIO1 output enabled.*1, *2 | R/W |
| b2 | VCH2OEN | VBATT Wakeup I/O 2 Output Enable | 0: VBATWIO2 output disabled 1: VBATWIO2 output enabled.*1, *2 | R/W |
| b3 | VOUT0LSEL | VBATT Wakeup I/O 0 Output Level Selection | 0: Output L before VBATT wakeup trigger 1: Output H before VBATT wakeup trigger. | R/W |
| b4 | VOUT1LSEL | VBATT Wakeup I/O 1 Output Level Selection | 0: Output L before VBATT wakeup trigger 1: Output H before VBATT wakeup trigger. | R/W |
| b5 | VOUT2LSEL | VBATT Wakeup I/O 2 Output Level Selection | 0: Output L before VBATT wakeup trigger 1: Output H before VBATT wakeup trigger. | R/W |
| b7, b6 | — | Reserved | These bits are read as 0. The write value should be 0. | R/W |

The VBTOCTLR register selects the VBATT wakeup I/O (VBATWIO_n (n = 0 to 2)) pin output direction and output level. VBTOCTLR is reset by the VBATT_POR signal.

VCH_nOEN bit (VBATT Wakeup I/O n Output Enable) (n = 0 to 2)

The VCH_nOEN bit defines the VBATT output enable.

Note 1. Only one of these I/O pins can be set as an output pin. Therefore, two out of the three bits must be set to 0.

Note 2. When the VCH0OEN bit is set to 1, P402PFS.PMR bit must be 0.

When the VCH1OEN bit is set to 1, P403PFS.PMR bit must be 0.

When the VCH2OEN bit is set to 1, P404PFS.PMR bit must be 0.

VOUT_nLSEL bit (VBATT Wakeup I/O n Output Level Selection) (n = 0 to 2)

The VOUT_nLSEL bit defines the output level from the VBATT wakeup I/O n pin. When the VOUT_nLSEL bit is set to 0, VBATWIO_n pin outputs low before receiving VBATT wakeup trigger and high after receiving VBATT wakeup trigger. When the VOUT_nLSEL bit is set to 1, the VBATWIO_n pin outputs high before the VBATT wakeup trigger and low after receiving the VBATT wakeup trigger.

11.2.13 VBATT Wakeup Trigger Source Enable Register (VBTWTER)

Address(es): [SYSTEM.VBTWTER 4001 E4BDh](#)

| | | | | | | | |
|----|----|----|--------|--------|-------|-------|-------|
| b7 | b6 | b5 | b4 | b3 | b2 | b1 | b0 |
| — | — | — | VRTCAE | VRTCIE | VCH2E | VCH1E | VCH0E |
| 0 | 0 | 0 | 0 | 0 | 0 | 0 | 0 |

Value after reset:

| Bit | Symbol | Bit name | Description | R/W |
|----------|------------------------|----------------------------|------------------------------------------------------------------------------------------------------------------------|-----|
| b0 | VCH0E | VBATWIO0 Pin Enable | 0: VBATT wakeup triggered by the VBATWIO0 pin disabled 1: VBATT wakeup triggered by the VBATWIO0 pin enabled. | R/W |
| b1 | VCH1E | VBATWIO1 Pin Enable | 0: VBATT wakeup triggered by the VBATWIO1 pin disabled 1: VBATT wakeup triggered by the VBATWIO1 pin enabled. | R/W |
| b2 | VCH2E | VBATWIO2 Pin Enable | 0: VBATT wakeup triggered by the VBATWIO2 pin disabled 1: VBATT wakeup triggered by the VBATWIO2 pin enabled. | R/W |
| b3 | VRTCIE | RTC Periodic Signal Enable | 0: VBATT wakeup triggered by RTC periodic signal disabled 1: VBATT wakeup triggered by RTC periodic signal enabled. | R/W |
| b4 | VRTCAE | RTC Alarm Signal Enable | 0: VBATT wakeup triggered by RTC alarm signal disabled 1: VBATT wakeup triggered by RTC alarm signal enabled. | R/W |
| b7 to b5 | — | Reserved | These bits are read as 0. The write value should be 0. | R/W |

The VBTWTER register enables or disables the VBATT wakeup trigger. VBTWTER is reset by the VBATT_POR signal.

Multiple trigger source selection is possible.

11.2.14 VBATT Wakeup Trigger Source Edge Register (VBTWEGR)

Address(es): [SYSTEM.VBTWEGR 4001 E4BEh](#)

| | | | | | | | |
|----|----|----|----|----|--------|--------|--------|
| b7 | b6 | b5 | b4 | b3 | b2 | b1 | b0 |
| — | — | — | — | — | VCH2EG | VCH1EG | VCH0EG |
| 0 | 0 | 0 | 0 | 0 | 0 | 0 | 0 |

Value after reset:

| Bit | Symbol | Bit name | Description | R/W |
|----------|------------------------|--------------------------------------------|------------------------------------------------------------------------------------------------------|-----|
| b0 | VCH0EG | VBATWIO0 Wakeup Trigger Source Edge Select | 0: Wakeup trigger is generated at a falling edge 1: Wakeup trigger is generated at a rising edge. | R/W |
| b1 | VCH1EG | VBATWIO1 Wakeup Trigger Source Edge Select | 0: Wakeup trigger is generated at a falling edge 1: Wakeup trigger is generated at a rising edge. | R/W |
| b2 | VCH2EG | VBATWIO2 Wakeup Trigger Source Edge Select | 0: Wakeup trigger is generated at a falling edge 1: Wakeup trigger is generated at a rising edge. | R/W |
| b7 to b3 | — | Reserved | These bits are read as 0. The write value should be 0. | R/W |

The VBTWEGR register selects the edge of each VBATT wakeup trigger sources. The VBTWEGR register is reset by the VBATT_POR signal.

11.2.15 VBATT Wakeup Trigger Source Flag Register (VBTWFR)

Address(es): SYSTEM.VBTWFR 4001 E4BFh

| | | | | | | | |
|----|----|----|--------|--------|-------|-------|-------|
| b7 | b6 | b5 | b4 | b3 | b2 | b1 | b0 |
| — | — | — | VRTCAF | VRTCIF | VCH2F | VCH1F | VCH0F |
| 0 | 0 | 0 | 0 | 0 | 0 | 0 | 0 |

Value after reset:

| Bit | Symbol | Bit name | Description | R/W |
|----------|--------|----------------------------------------|------------------------------------------------------------------------------------------------------------------------------|---------|
| b0 | VCH0F | VBATWIO0 Wakeup Trigger Flag | 0: No wakeup trigger by the VBATWIO0 pin is generated 1: A wakeup trigger by the VBATWIO0 pin is generated. | R/(W)*1 |
| b1 | VCH1F | VBATWIO1 Wakeup Trigger Flag | 0: No wakeup trigger by the VBATWIO1 pin is generated 1: A wakeup trigger by the VBATWIO1 pin is generated. | R/(W)*1 |
| b2 | VCH2F | VBATWIO2 Wakeup Trigger Flag | 0: No wakeup trigger by the VBATWIO2 pin is generated 1: A wakeup trigger by the VBATWIO2 pin is generated. | R/(W)*1 |
| b3 | VRTCIF | VBATT RTC-Periodic Wakeup Trigger Flag | 0: No wakeup trigger by the RTC periodic signal is generated 1: A wakeup trigger by the RTC periodic signal is generated. | R/(W)*1 |
| b4 | VRTCAF | VBATT RTC-Alarm Wakeup Trigger Flag | 0: No wakeup trigger by the RTC alarm signal is generated 1: A wakeup trigger by the RTC alarm signal is generated. | R/(W)*1 |
| b7 to b5 | — | Reserved | These bits are read as 0. The write value should be 0. | R/W |

Note 1. Only 0 can be written to clear the flag after reading 1.

The VBTWFR register indicates the triggering factor of the VBATT wakeup control function. This register is protected by the VWEN bit (VBTWCTL register). VBTWFR is valid 5 PCLKB cycles after writing 1 to VWEN bit enable. Similarly, disabling VBTWFR takes 5 PCLKB cycles after writing 0 to the VWEN bit.

Each flag is set to 1 when a trigger request specified by VBTWEGR is generated.

The VBTWFR register is initialized by VBATT_POR.

VCHnF flags (VBATT Wakeup I/O n Wakeup Trigger Flag) (n = 0 to 2)

The VCHnF flags indicate that a trigger request by the VBATWIO_n pin is generated.

[Setting condition]

- A trigger request by the VBATWIO_n pin specified by VBTWEGR is generated.

[Clearing condition]

- Each bit is read as 1, then written as 0.

VRTCIF flag (VBATT RTC-Periodic Wakeup Trigger Flag)

The VRTCIF flag indicates that a trigger request by the RTC periodic signal is generated.

[Setting condition]

- A trigger request by the RTC periodic signal is generated.

[Clearing condition]

- This bit is read as 1 and written as 0.

VRTCAF flag (VBATT RTC-Alarm Wakeup Trigger Flag)

The VRTCAF flag indicates that a trigger request by the RTC alarm signal is generated.

[Setting condition]

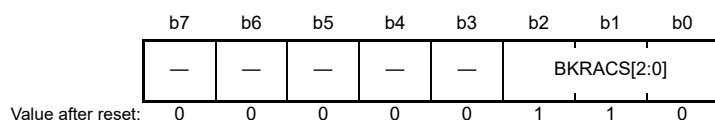
- A trigger request by the RTC alarm signal is generated.

[Clearing condition]

- This bit is read as 1 and written as 0.

11.2.16 Backup Register Access Control Register (BKRACR)

Address(es): SYSTEM.BKRACR 4001 E0C6h



| Bit | Symbol | Bit name | Description | R/W | | | | | | | | | |
|----------|-------------|-----------------------------------------------------------------------------------|------------------------------------------------------------------------------------------------------------------------------------------------------------------------------------------------------------------------------------------------------------------------------------------------------------------------------------------------------------------------------------------------------------------|-----|----|--|-----|----|------------------------------------------------------------------------|-----|----|-----------------------------------------------------------------------------------|-----|
| b2 to b0 | BKRACS[2:0] | Backup Register Access Cycle Select | <table border="0"> <tr> <td style="text-align: right;">b2</td> <td style="text-align: right;">b0</td> <td></td> </tr> <tr> <td>0 0</td> <td>0:</td> <td>Access cycle control disabled when system clock source is SOSC or LOCO</td> </tr> <tr> <td>1 1</td> <td>0:</td> <td>Access cycle control enabled when system clock source is other than SOSC or LOCO.</td> </tr> </table> Other settings are prohibited. | b2 | b0 | | 0 0 | 0: | Access cycle control disabled when system clock source is SOSC or LOCO | 1 1 | 0: | Access cycle control enabled when system clock source is other than SOSC or LOCO. | R/W |
| b2 | b0 | | | | | | | | | | | | |
| 0 0 | 0: | Access cycle control disabled when system clock source is SOSC or LOCO | | | | | | | | | | | |
| 1 1 | 0: | Access cycle control enabled when system clock source is other than SOSC or LOCO. | | | | | | | | | | | |
| b7 to b3 | — | Reserved | These bits are read as 0. The write value should be 0. | R/W | | | | | | | | | |

The BKRACR register controls the access cycle for the backup register to reduce power consumption. When access cycle control is enabled (110b), the access cycle for the backup register is 64 times that of when it is disabled (000b). BKRACR is initialized by all the resets except for VBATT_POR.

[Setting Procedure]

To change the system clock from other than SOSC/LOCO to SOSC/LOCO:

1. Change the SCKSCR.CKSEL[2:0] bits.
2. Change the BKRACR.BKRACS[2:0] bits to 000b.

To change the system clock from SOSC/LOCO to other than SOSC/LOCO:

1. Change the BKRACR.BKRACS[2:0] bits to 110b.
2. Change the SCKSCR.CKSEL[2:0] bits.

11.3 Operation**11.3.1 Battery Backup Function**

When the voltage at the VCC pin drops, power can be supplied to the RTC, LOCO, and sub-clock oscillator from the VBATT pin. When the power supply drop from the VCC pin is detected, connection to power is switched from the power supply to the VBATT pin. The power supply from the VCC pin resumes when voltage at the VCC pin exceeds $V_{DET\text{BATT}}$. This power supply change does not affect the RTC operation. When the voltage level at the VBATT pin voltage falls below the operation-guaranteed voltage, it is possible to monitor the VBTBLDF bit in the VBATT Status Register.

The battery backup function can be used after the voltage monitor 0 reset is enabled.

While VBATT supplies the power, the wakeup control function can toggle the output pin of VBATWION ($n = 0$ to 2) by triggering of the RTC alarm/periodic signal or assertion of the VBATWION ($n = 0$ to 2) input signal.

The RTC supports time capture pin detection when the time capture pin input level changes.

The VBATT pin supplies power to the following modules:

- RTC
- Sub-clock oscillator (including XCIN and XCOOUT pins)
- VBATWIO_n pins (including RTCIC_n) (n = 0 to 2)
- LOCO
- VBATT Backup Register
- VBATT wakeup controller.

Table 11.2 shows the operating states in VBATT mode.

Table 11.2 Operating states in VBATT mode

| Operating state | VBATT mode |
|-----------------------------------|------------------------------------------------------------------------------------------------------------------------------------------------------------------------------------------------------------------------|
| Transition condition | Detection of VCC voltage drop |
| Canceling method other than reset | Detection of VCC voltage rise |
| Main clock oscillator | Stopped |
| Sub-clock oscillator | Operation can be selected in the SOSCCR.SOSTP bit. The status of the oscillator is the same as before entering VBATT mode. |
| High-speed on-chip oscillator | Stopped |
| Middle-speed on-chip oscillator | Stopped |
| Low-speed on-chip oscillator | Operation or non-operation can be selected in the LOCOCR.LCSTP bit. The status of the oscillator is the same as before entering VBATT mode. |
| IWDT-dedicated on-chip oscillator | Stopped |
| PLL | Stopped |
| CPU | Stopped (undefined) |
| SRAM (ECC SRAM included) | Stopped (undefined) |
| VBATT Backup Register | Stopped (retained) |
| Flash memory | Stopped (retained) |
| Realtime Clock (RTC) | Selectable when the selecting clock operates as the count source |
| AGT _n (n = 0, 1) | Stopped (undefined) |
| Low Voltage Detection (LVD) | Stopped |
| Power-on reset circuit | Stopped |
| Battery backup voltage monitor | Operating |
| Other peripheral modules | Stopped (undefined) |
| I/O ports | <ul style="list-style-type: none"> • RTCIC_n ports (n = 0 to 2): Operating • Other than the specified ports: Undefined • VBATWIO_n ports (n = 0 to 2): Operating. |

Note: Selectable means that operation can be selected in the control register. Some modules are also controlled by the corresponding module-stop bit.
 Stopped (retained) means that the contents of the internal registers are retained but the operations are suspended.
 Stopped (undefined) means that the contents of the internal registers are undefined and power to the internal circuit is cut off.

Figure 11.3 shows the switching sequence of the battery backup function.

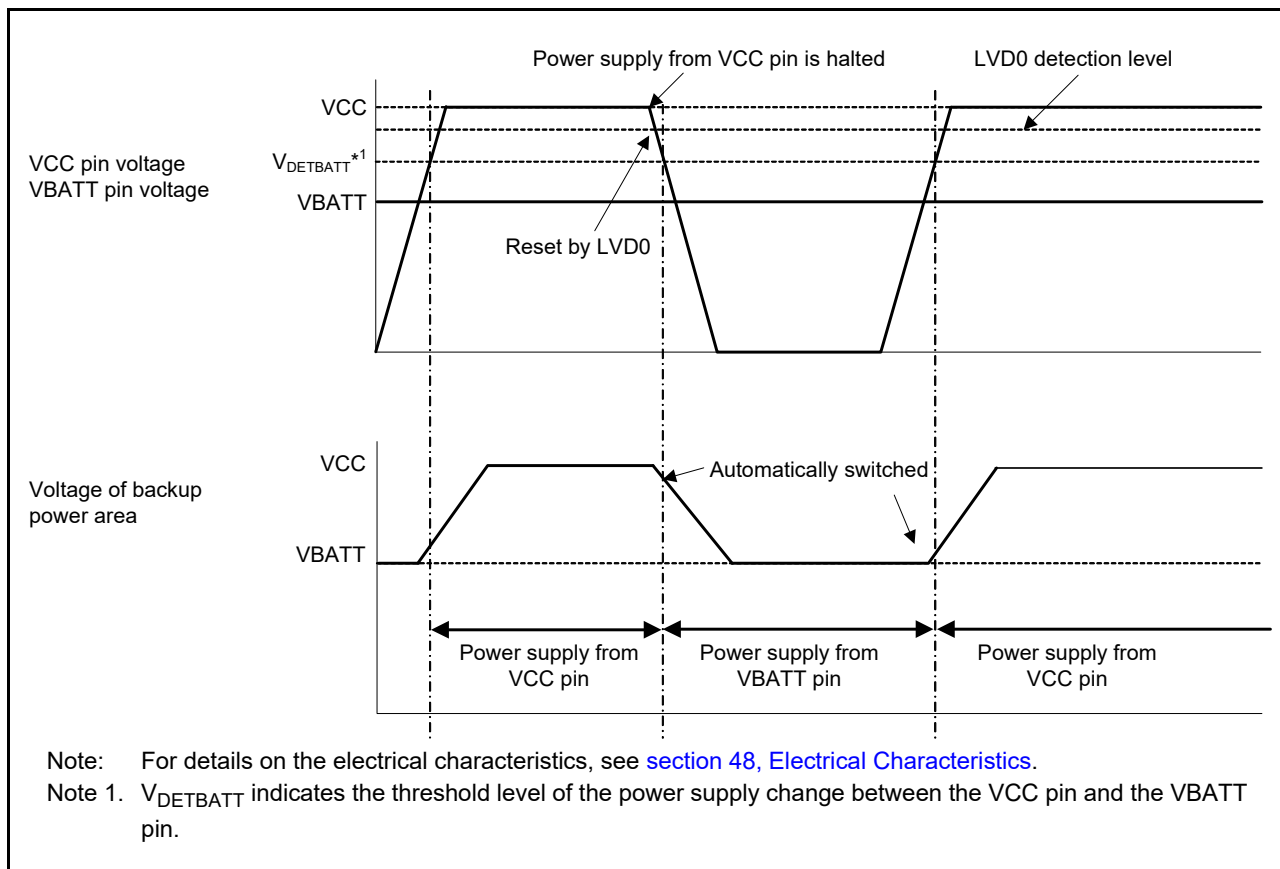


Figure 11.3 Switching sequence for the battery backup function

11.3.2 VBATT Battery Power Supply Switch Usage

The battery power supply switch can switch power supply from the VCC pin to the VBATT pin when the voltage applied to the VCC pin drops. When the voltage rises, this switch changes the power supply from the VBATT pin to the VCC pin. The switch is controlled by the VBTCR1.BPWSWSTP bit.

The BPWSWSTP bit can enable the battery power supply switch which can switch the battery backup module supply voltage from VCC to VBATT when VCC voltage drops. When the battery power supply switch stops, the battery backup module power supply is always from VCC. If you are not using the battery backup function, you must write 1 to this bit.

Note: You can use the battery backup function after the voltage monitor 0 reset is enabled (OFS1.LVDAS bit is 0). Voltage monitor 0 level should be higher than the V_{DET_BATT} (OFS1.VDSEL1[2:0] bits are 000b, 001b, or 010b).

Note: This bit can be set without verifying the VBTSR.VBTRVLD bit status.

11.3.3 VBATT Pin Low Voltage Detection Procedures

The VBTSR.VBTBLDF flag and interrupt can be used to monitor VBATT pin low voltage detection using the procedures described in this section.

The following procedure shows how to enable the VBATT pin low voltage detection:

1. Set the voltage monitor 0 reset. See [section 7, Low Voltage Detection \(LVD\)](#).
2. Set the VBTCR1.BPWSWSTP bit to 1 if this bit is being accessed for the first time after a power-on reset.
3. Wait for the VBTSR.VBTRVLD bit to be 1 and ensure that the VBTCR2.VBTLVDEN, VBTLVDICR.VBTLVDIE, and VBTCMPCR.VBTCMPE bits are 0.
4. Specify the detection voltage by setting the VBTCR2.VBTLVDLVL[1:0] bits (VBATT pin voltage detect level select).

5. Select the type of interrupt in the VBTLVDICR.VBTLVDISEL bit.
6. Set the VBTCR2.VBTLVDEN bit to 1 for enabling VBATT pin low voltage detection.
7. After waiting for the VBATT comparator operation stabilization time (t_{d_vbat}) as described in [section 48, Electrical Characteristics](#), set the VBTCMPCR.VBTCMPE bit to 1 for VBATT pin voltage detect circuit to be enabled.
8. Make sure that the VBTSR.VBTBLDF flag is 0, and then set the VBTLVDICR.VBTLVDIE bit to 1 for the VBATT pin low voltage detection interrupt output to be enabled.
9. Clear the VBTCR1.BPWSWSTP bit to 0 to enable the battery power switch. See [section 11.3.2, VBATT Battery Power Supply Switch Usage](#).

When the VBATT low voltage is detected, disable the VBATT low voltage detection as shown [Figure 11.4](#).

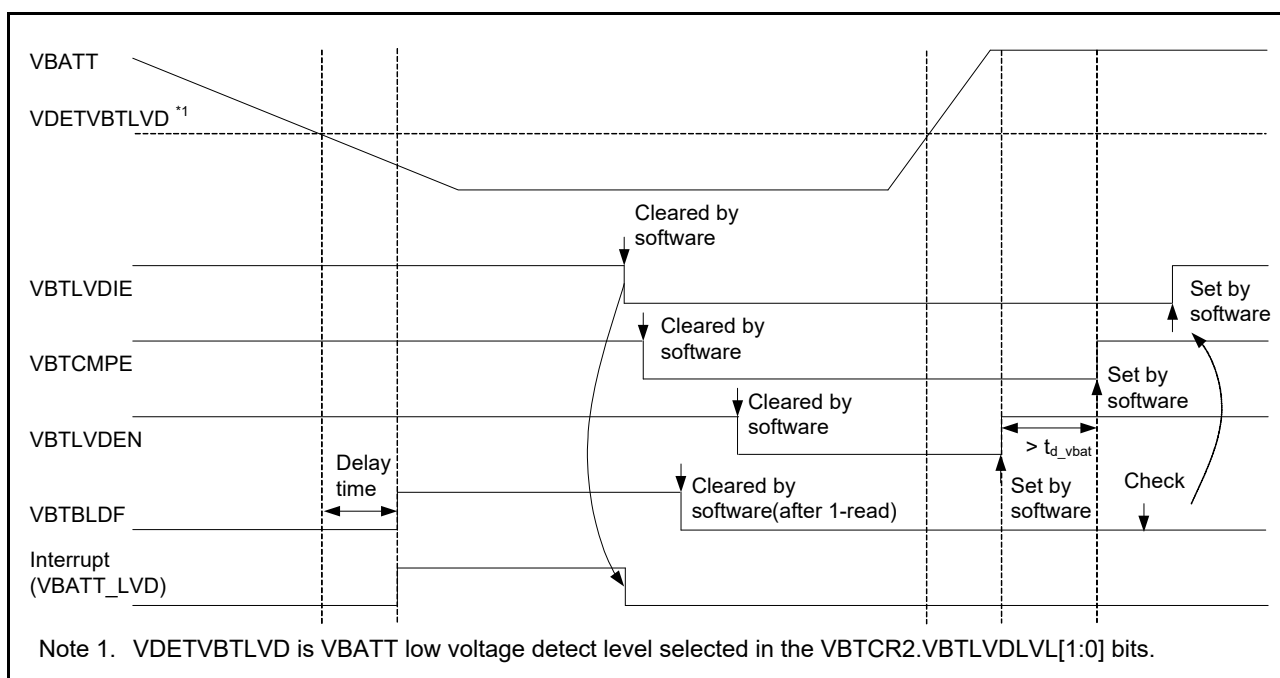


Figure 11.4 Basic operation of VBATT low voltage detection interrupt

The following procedures show how to disable the VBATT pin low voltage detection:

1. Make sure that the VBTSR.VBTRVLD bit is 1.
2. Set the VBTLVDICR.VBTLVDIE bit to 0 to disable voltage detect interrupt.
3. Set the VBTCMPCR.VBTCMPE bit to 0 for VBATT pin voltage detect circuit output to disable.
4. Set the VBTCR2.VBTLVDEN bit to 0 to disable VBATT pin low voltage output.
5. Modify the setting of bits related to the VBATT pin low voltage detection registers other than VBTCR2.VBTLVDEN, VBTCMPCR.VBTCMPE, and VBTLVDICR.VBTLVDIE.

11.3.4 VBATT Backup Register Usage

The VBATT Backup Register (VBTBKR_n), where $n = 0$ to 511, can be used to store or restore data as described in the following procedure:

1. The VBTCR1.BPWSWSTP bit must be set to 1 if this bit is being accessed for the first time after a power-on reset.
2. Wait for the VBTSR.VBTRVLD bit to be 1.
3. VBTBKR_n, where $n = 0$ to 511 can be accessed by an 8-bit read or write operation.
4. Clear the VBTCR1.BPWSWSTP bit to 0 to enable the battery power switch. See [section 11.3.2, VBATT Battery Power Supply Switch Usage](#).

11.3.5 VBATT Wakeup Control Function Usage

The wakeup control function is a function that can toggle the output pin VBATWIO_n (n = 0 to 2) when the RTC alarm/periodic signal or VBATWIO_n (n = 0 to 2) input signal is asserted, when VBATT_R is powered by the VBATT pin.

Note: The toggle that is triggered by the wakeup control function does not generate an interrupt at the ICU or a reset at the reset module.

Figure 11.5 shows an example using the VBATT wakeup control function. This example uses the VBATWIO0 port as the wakeup output port, the RTCIC2 port as the external time capture input capture port, and the VBATWIO2 port as the external time capture input trigger port. The VBATWIO0 output toggle goes from low to high when the trigger target is asserted. Trigger source for the wakeup control function is the RTC periodic signal or the VBATWIO2 input rising edge.

Use the following steps to set the VBATT wakeup control function:

1. Set the VBTCR1.BPWSWSTP bit to 1 if this bit is being accessed for the first time after a power-on reset.
2. Wait for the VBTSR.VBTRVLD bit to be 1. Then, be sure that the VBTWCTLR.VWEN bit and the VBTSR.VBTRDF bit are 0. If these bits are not 0, set them to 0.
3. Specify the VBATWIO_n port direction in the VBTICTLR.VCH_nINEN and VBTOCTLR.VCH_nOEN bits. Set the VBTOCTLR.VOUT_nLSEL bit to 0 or 1 as the output level select (n = 0 to 2).
In this example, use the VBATWIO2/RTCIC2 port as the time capture input, the VBATWIO0 port as wakeup output port.
Set the following bits to 1:
 - VBTOCTLR.VCH0OEN
 - VBTICTLR.VCH2INEN.
 In addition, set VBTOCTLR.VOUT0LSEL to 0 as a toggle output from low to high.
4. Set the peripheral module setting as required.
In this example, specify the time capture function for time capture setting with the RTC setting. See [section 24, Realtime Clock \(RTC\)](#) for details.
5. Select the wakeup trigger source with the VBTWTER register.
In this example, set the VBTWTER.VRTCIE and VBTWTER.VCH2E bits to 1 to select the trigger source as the RTC periodic signal and VBATWIO2 input trigger.
6. Select the wakeup trigger source edge with the VBTWEGR register.
For example, set the VBTWEGR.VCH2EG bit to 1 to select the VBATWIO2 port as the rising edge trigger.
7. Select the VBATT wakeup output trigger source with the VBTWCH_nOTSR register (n = 0 to 2).
In this example, set the VBTWCH0OTSR.CH0VRTCTE and VBTWCH0OTSR.CH0VCH2TE bits to 1.
8. Set the VBTWCTLR.VWEN bit to 1 to activate the VBATT wakeup control function, then set the VBTCR1.BPWSWSTP bit to 0 to enable the battery power supply switch. After setting the VBTWCTLR.VWEN bit to 1, the VBATT wakeup control function is enabled.
9. Set the I/O registers to output 0 or 1 to the external power management IC to request stopping of the power supply. After stopping power supply, if the RTC periodic signal or the VBATWIO2 input trigger is asserted, the VBATT wakeup trigger source flag of each event (VBTWFR.VRTCIF or VBTWFR.VCH2F) is set to 1, and the toggle output is started from low to high on the VBATWIO0 port. The MCU is then supplied power, and it starts up from a low voltage monitor 0 reset (LVD0). In this example, the external power management IC stops supplying power when it detects a positive transition on the I/O port powered by VCC pin, and starts to supply power when it detects a positive transition on the VBATWIO0 port.

The timing diagram of VBATT wakeup function is described in [Figure 11.6](#).

The following procedures show how to set the registers after the MCU starts up from a low voltage monitor 0 reset (LVD0) by the VBATT wakeup trigger.

1. Set the VBTCR1.BPWSWSTP bit to 1.
2. Wait for the VBTSR.VBTRVLD bit to be 1 and be sure that the VBTSR.VBTRDF bit is 0.
3. Check the VBATT wakeup trigger source by reading the VBTWFR register. In the example of [Figure 11.6](#), the VBTWFR.VRTCIF bit is set to 1.

4. Clear the corresponding bit in the VBTWFR register to 0, then the toggle output is started on the VBATWIO_n port (n = 0 to 2). In the example of Figure 11.6, it is toggled from high to low on the VBATWIO0 port.
5. Set the I/O registers for the power supply stop control signal to output 0 or 1 to the external power management IC as needed.
6. In case you want to repeat the VBATT wakeup operation, clear the VBTCCR1.BPWSWSTP bit to 0 and set the I/O registers for the power supply stop control signal to output 0 or 1 to the external power management IC so as to request stopping the power supply again.
In case you want to change the wakeup trigger conditions, clear the VBTWCTLR.VWEN bit to 0, and clear the all bits in the VBTWTER register before setting other registers associated with VBATT.

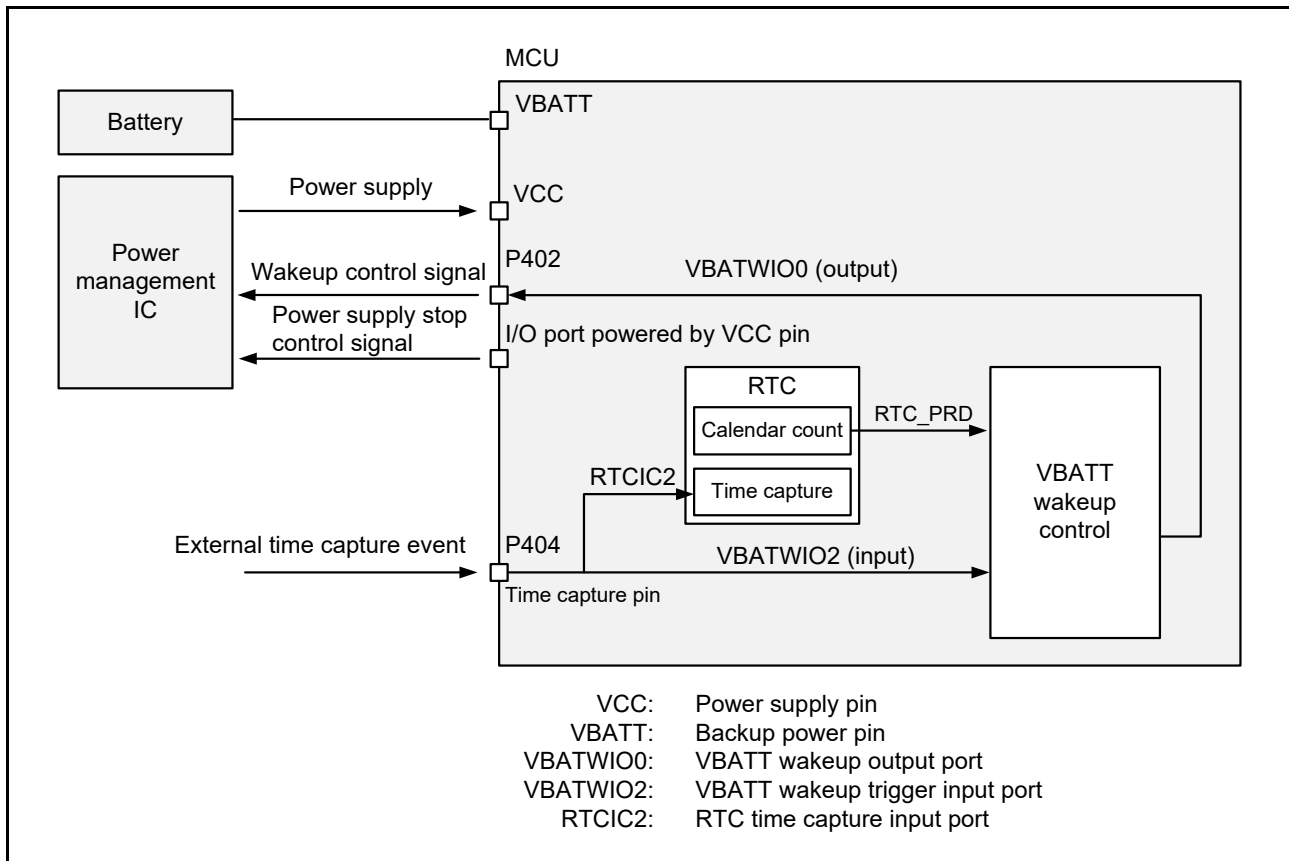


Figure 11.5 VBATT wakeup control function example application

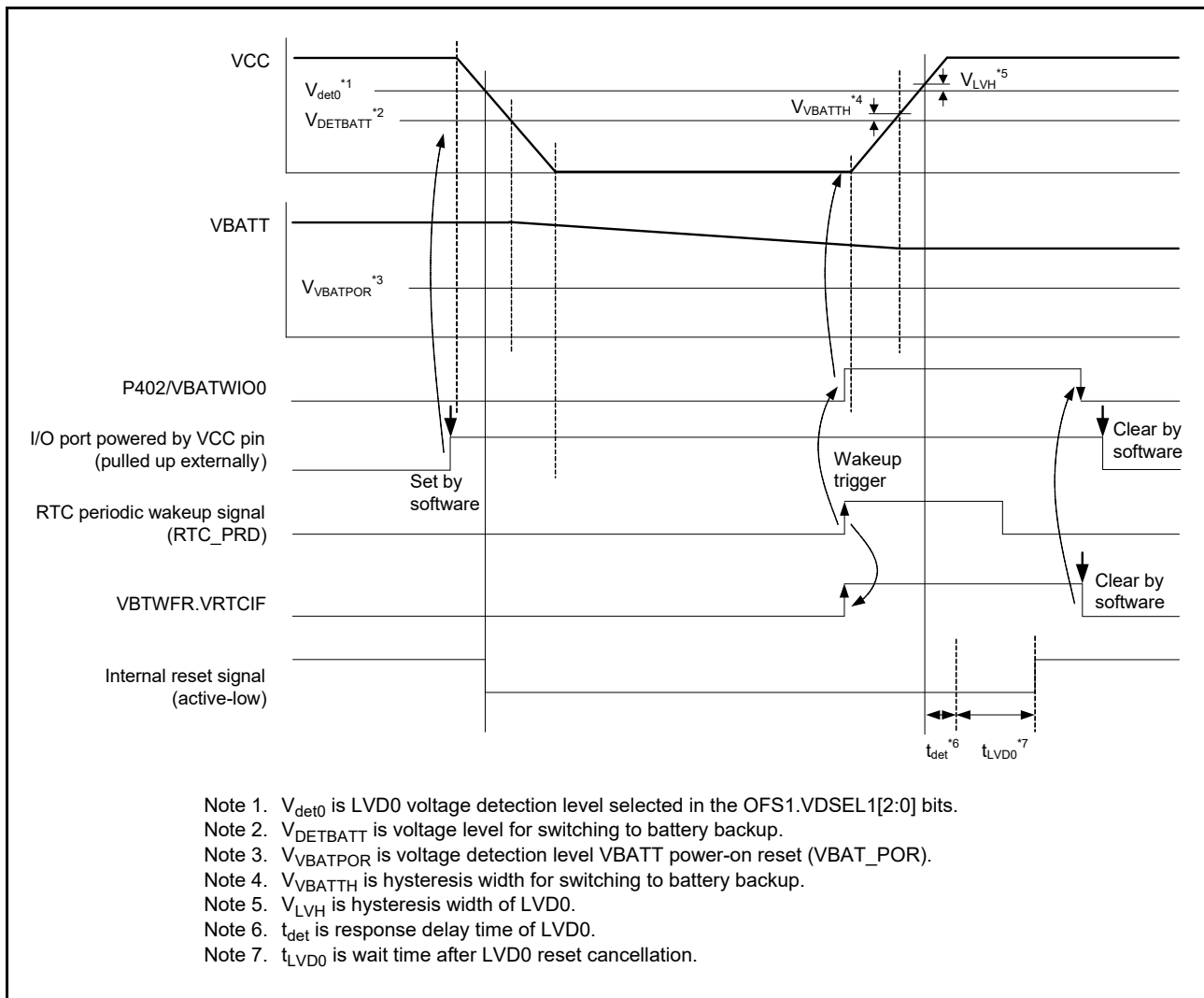


Figure 11.6 VBATT wakeup function timing diagram

11.4 Usage Notes

1. When the VBATT pin is not in use, connect the VBATT pin to the VCC pin.
2. When the voltage level on VBATT is lower than the guaranteed operation range, operation of the sub-clock oscillator and RTC cannot be guaranteed. This voltage drop can be verified in the VBTSR register.
3. If a reset is generated while writing to the registers described in this section, the register values may be lost.
4. During RTC operation powered by the VBATT pin, RTC supports the calendar/binary count operation, the alarm/periodic trigger for the VBATT wakeup function, and the time capture function.
5. The VBATT wakeup control function can be used only when VBATT_R is powered by VBATT pin.
6. The voltage level on the I/O ports powered by VCC pin transits to high-impedance when the power supply is stopped. If these ports are used as the power supply stop control pins for the VBATT wakeup function, these ports should be pulled up or pulled down externally.

12. Register Write Protection

12.1 Overview

The register write protection function protects important registers from being overwritten because of software errors. The registers to be protected are set with the Protect Register (PRCR).

Table 12.1 lists the association between the PRCR bits and the registers to be protected.

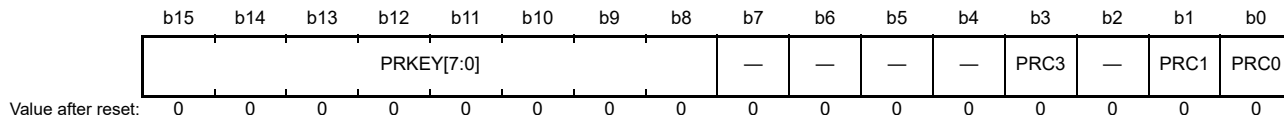
Table 12.1 Association between PRCR bits and registers to be protected

| PRCR bit | Registers to be protected |
|----------|----------------------------------------------------------------------------------------------------------------------------------------------------------------------------------------------------------------------------------------------------------------------------------------------------------------------------------------------------------------------------------------------------------|
| PRC0 | <ul style="list-style-type: none"> Registers related to the clock generation circuit: SCKDIVCR, SCKSCR, PLLCR, PLLCCR2, MEMWAIT, MOSCCR, HOCOCCR, MOCOCCR, CKOCCR, TRCKCR, OSTDCR, OSTDSR, SLCDSCCR, EBCKOCR, MOCOUTCR, HOCOUTCR, MOSCWTCR, MOMCR, SOSCCR, SOMCR, LOCOCCR, LOCOUTCR, HOCOWTCR, USBCKCR |
| PRC1 | <ul style="list-style-type: none"> Registers related to the low power modes: SBYCR, SNZCR, SNZEDCR, SNZREQCR, FLSTOP, OPCCR, SOPCCR, SYOCDCR Registers related to the battery backup function: VBTCR1, VBTCR2, VBTSR, VBTCMPCR, VBTLVDICR, VBTWCTLR, VBTWCH00TSR, VBTWCH10TSR, VBTWCH20TSR, VBTICTLR, VBTICTLR, VBTWTER, VBTWEGR, VBTWFR, VBTBKRn (n = 0 to 511), BKRACR |
| PRC3 | <ul style="list-style-type: none"> Registers related to the LVD: LVD1CR1, LVD1SR, LVD2CR1, LVD2SR, LVCMPCR, LVDLVL, LVD1CR0, LVD2CR0 |

12.2 Register Descriptions

12.2.1 Protect Register (PRCR)

Address(es): [SYSTEM.PRCR 4001 E3FEh](#)



| Bit | Symbol | Bit name | Function | R/W |
|-----------|----------------------------|---------------|------------------------------------------------------------------------------------------------------------------------------------------------------------------|-----|
| b0 | PRC0 | Protect Bit 0 | Enables or disables writing to the registers related to the clock generation circuit: 0: Write disabled 1: Write enabled. | R/W |
| b1 | PRC1 | Protect Bit 1 | Enables or disables writing to the registers related to the low power modes and the battery backup function: 0: Write disabled 1: Write enabled. | R/W |
| b2 | — | Reserved | This bit is read as 0. The write value should be 0. | R/W |
| b3 | PRC3 | Protect Bit 3 | Enables or disables writing to the registers related to the LVD: 0: Write disabled 1: Write enabled. | R/W |
| b7 to b4 | — | Reserved | These bits are read as 0. The write value should be 0. | R/W |
| b15 to b8 | PRKEY[7:0] | PRC Key Code | Control write access to the PRCR register. To modify the PRCR register, write A5h to the upper 8 bits and the target value to the lower 8 bits as a 16-bit unit. | W*1 |

Note 1. Write data is not saved. Always reads 00h.

PRCn bits (Protect Bit n) (n = 0, 1, 3)

The PRCn bits enable or disable writing to the protected registers as shown in Table 12.1. Setting the PRCn bits to 1 or 0 enables or disables writing, respectively.

13. Interrupt Controller Unit (ICU)

13.1 Overview

The Interrupt Controller Unit (ICU) controls which event signals are linked to the Nested Vector Interrupt Controller (NVIC), Data Transfer Control (DTC), and Direct Memory Access Controller (DMAC) modules. The ICU also controls non-maskable interrupts. [Table 13.1](#) lists the specifications, [Figure 13.1](#) shows a block diagram, and [Table 13.2](#) lists the I/O pins.

Table 13.1 ICU specifications

| Item | Description |
|----------------------------------------------------------------------------------------------------------------------------------------------------------------------------------------------------------------------------------------------------------------------------------------------------------------------------------------------------------------------------------------------------------------------------------------------------------------------------------------------------------------------------------------------------------------------------------------------------------------------|--------------------------------------------------------------------------------------------------------------------------------------------------------------------------------------------------------------------------------------------------------------------------------------------------------------------------------------------------------------------------------------|
| Interrupts | Peripheral function interrupts <ul style="list-style-type: none"> • Interrupts from peripheral modules Number of sources: 174 |
| | External pin interrupts <ul style="list-style-type: none"> • Interrupt detection on low level^{*4}, falling edge, rising edge, or rising and falling edges One of these detection methods can be set for each source. • Digital filter function supported • 15 sources, with interrupts from IRQ0 to IRQ12, IRQ14, and IRQ15 pins. |
| | DTC/DMAC control <ul style="list-style-type: none"> • The DTC and DMAC can be activated using interrupt sources^{*1} |
| | Interrupt sources for NVIC <ul style="list-style-type: none"> • 32 sources |
| Non-maskable interrupts ^{*2} | NMI pin interrupt <ul style="list-style-type: none"> • Interrupt from the NMI pin • Interrupt detection on falling edge or rising edge • Digital filter function supported. |
| | Oscillation stop detection interrupt ^{*3} <ul style="list-style-type: none"> • Interrupt on detecting that the main oscillation has stopped |
| | WDT underflow/refresh error ^{*3} <ul style="list-style-type: none"> • Interrupt on an underflow of the down-counter or occurrence of a refresh error |
| | IWDT underflow/refresh error ^{*3} <ul style="list-style-type: none"> • Interrupt on an underflow of the down-counter or occurrence of a refresh error |
| | Voltage monitor 1 interrupt ^{*3} <ul style="list-style-type: none"> • Voltage monitor interrupt of Low Voltage Detection Detector 1 (LVD_LVD1) |
| | Voltage monitor 2 interrupt ^{*3} <ul style="list-style-type: none"> • Voltage monitor interrupt of Low Voltage Detection Detector 2 (LVD_LVD2) |
| | VBATT interrupt <ul style="list-style-type: none"> • Voltage monitor interrupt of VBATT monitor |
| | RPEST <ul style="list-style-type: none"> • Interrupt on SRAM parity error |
| | RECCST <ul style="list-style-type: none"> • Interrupt on SRAM ECC error |
| | BUSST <ul style="list-style-type: none"> • Interrupt on MPU bus slave error |
| | BUSMST <ul style="list-style-type: none"> • Interrupt on MPU bus master error |
| SPEST <ul style="list-style-type: none"> • Interrupt on CPU stack pointer monitor | |
| Return from low power mode <ul style="list-style-type: none"> • Sleep mode: Return is initiated by non-maskable interrupts or any other interrupt source • Software Standby mode: Return is initiated by non-maskable interrupts. Interrupt can be selected in the WUPEN register. • Snooze mode: Return is initiated by non-maskable interrupts. Interrupt can be selected in the SELSR0 and WUPEN registers. See section 13.2.8, SYS Event Link Setting Register (SELSR0) and section 13.2.9, Wake Up Interrupt Enable Register (WUPEN). | |

Note 1. For the DTC and DMAC activation sources, see [Table 13.4, Event table](#).

Note 2. Non-maskable interrupts can be enabled only once after a reset release.

Note 3. These non-maskable interrupts can also be used as event signals. When used as interrupts, do not change the value of the NMIER register from the reset state. To enable voltage monitor 1 and voltage monitor 2 interrupts, set the LVD1CR1.IRQSEL and LVD2CR1.IRQSEL bits to 1. To enable the VBATT monitor interrupt, set the VBTLDICR.VBTLVDISEL bit to 1.

Note 4. Low level: Interrupt detection is not canceled if you do not clear it after a detection.

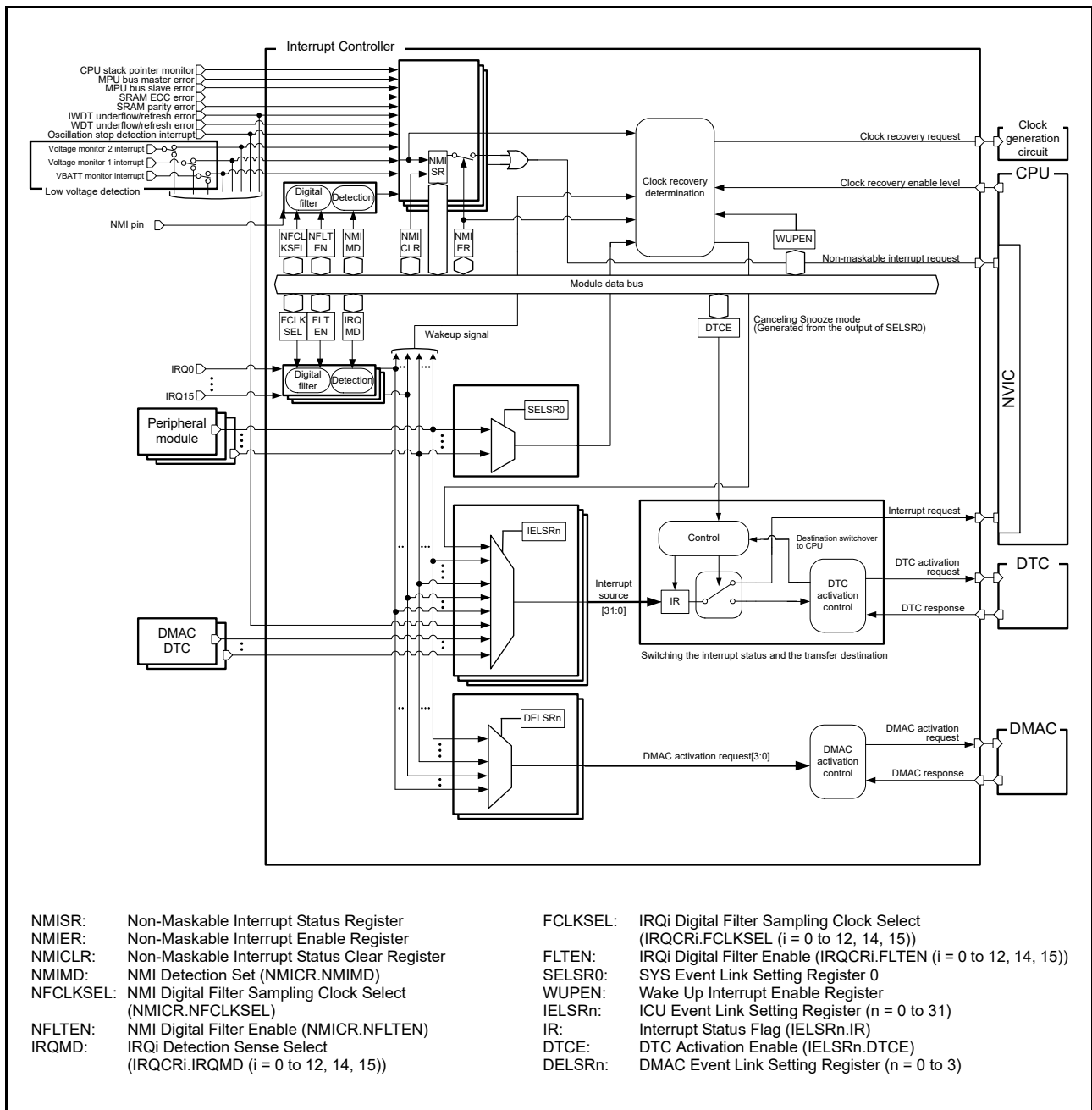


Figure 13.1 ICU block diagram

Table 13.2 lists the ICU input/output pins.

Table 13.2 ICU configuration pins

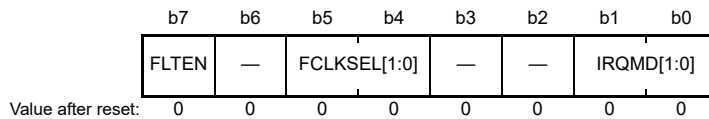
| Pin name | I/O | Description |
|-----------------------------|-------|------------------------------------|
| NMI | Input | Non-maskable interrupt request pin |
| IRQ0 to IRQ12, IRQ14, IRQ15 | Input | External interrupt request pins |

13.2 Register Descriptions

This chapter does not describe Arm® NVIC internal registers. For information on these registers, see the *ARM® Cortex®-M4 Processor Technical Reference Manual* (ARM DDI 0439D).

13.2.1 IRQ Control Register i (IRQCRi) (i = 0 to 12, 14, 15)

Address(es): [ICU.IRQCR0 4000 6000h](#), [ICU.IRQCR1 4000 6001h](#), [ICU.IRQCR2 4000 6002h](#), [ICU.IRQCR3 4000 6003h](#), [ICU.IRQCR4 4000 6004h](#), [ICU.IRQCR5 4000 6005h](#), [ICU.IRQCR6 4000 6006h](#), [ICU.IRQCR7 4000 6007h](#), [ICU.IRQCR8 4000 6008h](#), [ICU.IRQCR9 4000 6009h](#), [ICU.IRQCR10 4000 600Ah](#), [ICU.IRQCR11 4000 600Bh](#), [ICU.IRQCR12 4000 600Ch](#), [ICU.IRQCR14 4000 600Eh](#), [ICU.IRQCR15 4000 600Fh](#)



| Bit | Symbol | Bit name | Description | R/W |
|--------|------------------------------|-------------------------------------------|----------------------------------------------------------------------------------------------------|-----|
| b1, b0 | IRQMD[1:0] | IRQi Detection Sense Select | b1 b0 0 0: Falling edge 0 1: Rising edge 1 0: Rising and falling edges 1 1: Low level. | R/W |
| b3, b2 | — | Reserved | These bits are read as 0. The write value should be 0. | R/W |
| b5, b4 | FCLKSEL[1:0] | IRQi Digital Filter Sampling Clock Select | b5 b4 0 0: PCLKB 0 1: PCLKB/8 1 0: PCLKB/32 1 1: PCLKB/64. | R/W |
| b6 | — | Reserved | This bit is read as 0. The write value should be 0. | R/W |
| b7 | FLTEN | IRQi Digital Filter Enable | 0: Digital filter disabled 1: Digital filter enabled. | R/W |

IRQCRi register changes must satisfy the following conditions:

- For a CPU interrupt or DTC trigger:
Change the IRQCRi register setting before setting the target IELSRn (n = 0 to 31).
You can change the register values only when the IELSRn.IELS[7:0] bits are 00h.
- For a DMAC trigger:
Change the IRQCRi register setting before setting the target DELSRn (n = 0 to 3).
You can change the register values only when the DELSRn.DELS[7:0] bits are 00h.
- For a wakeup enable signal:
Change the IRQCRi register setting before setting the target WUPEN.IRQWUPEN[n] (n = 0 to 12, 14, 15).
You can change the register values only when the target WUPEN.IRQWUPEN[n] is 0.

[IRQMD\[1:0\] bits \(IRQi Detection Sense Select\)](#)

The IRQMD[1:0] bits set the detection sensing method for the external pin interrupt sources IRQi. For more information on the settings, see [section 13.4.4, External Pin Interrupts](#).

[FCLKSEL\[1:0\] bits \(IRQi Digital Filter Sampling Clock Select\)](#)

The FCLKSEL[1:0] bits select the digital filter sampling clock for the external pin interrupt request IRQi, selectable to:

- PCLKB (every cycle)
- PCLKB/8 (once every 8 cycles)
- PCLKB/32 (once every 32 cycles)
- PCLKB/64 (once every 64 cycles).

For details on the digital filter, see [section 13.4.3, Digital Filter](#).

FLTEN bit (IRQi Digital Filter Enable)

The FLTEN bit enables the digital filter used for the IRQi external pin interrupt sources. The filter is enabled when the IRQCRi.FLTEN bit is 1, and disabled when the IRQCRi.FLTEN bit is 0. The IRQi pin level is sampled at the cycle specified in IRQCRi.FCLKSEL[1:0]. When the sampled level matches three times, the output level from the digital filter changes. For details on the digital filter, see [section 13.4.3, Digital Filter](#).

13.2.2 Non-Maskable Interrupt Status Register (NMISR)

Address(es): ICU.NMISR 4000 6140h

| | | | | | | | | | | | | | | | |
|--------------------|-----|-----|-------|--------|-------|--------|-------|-------|-------|----|---------|--------|--------|-------|--------|
| b15 | b14 | b13 | b12 | b11 | b10 | b9 | b8 | b7 | b6 | b5 | b4 | b3 | b2 | b1 | b0 |
| — | — | — | SPEST | BUSMST | BUSST | RECCST | RPEST | NMIST | OSTST | — | VBATTST | LVD2ST | LVD1ST | WDTST | IWDTST |
| Value after reset: | 0 | 0 | 0 | 0 | 0 | 0 | 0 | 0 | 0 | 0 | 0 | 0 | 0 | 0 | 0 |

| Bit | Symbol | Bit name | Description | R/W |
|------------|---------|--------------------------------------------------|-----------------------------------------------------------------------------------------------------------|-----|
| b0 | IWDTST | IWDT Underflow/Refresh Error Status Flag | 0: Interrupt not requested 1: Interrupt requested. | R |
| b1 | WDTST | WDT Underflow/Refresh Error Status Flag | 0: Interrupt not requested 1: Interrupt requested. | R |
| b2 | LVD1ST | Voltage Monitor 1 Interrupt Status Flag | 0: Interrupt not requested 1: Interrupt requested. | R |
| b3 | LVD2ST | Voltage Monitor 2 Interrupt Status Flag | 0: Interrupt not requested 1: Interrupt requested. | R |
| b4 | VBATTST | VBATT monitor Interrupt Status Flag | 0: Interrupt not requested 1: Interrupt requested. | R |
| b5 | — | Reserved | This bit is read as 0. | R |
| b6 | OSTST | Oscillation Stop Detection Interrupt Status Flag | 0: Interrupt not requested for main oscillation stop 1: Interrupt requested for main oscillation stop. | R |
| b7 | NMIST | NMI Status Flag | 0: NMI pin interrupt not requested 1: NMI pin interrupt requested. | R |
| b8 | RPEST | SRAM Parity Error Interrupt Status Flag | 0: Interrupt not requested 1: Interrupt requested. | R |
| b9 | RECCST | SRAM ECC Error Interrupt Status Flag | 0: Interrupt not requested 1: Interrupt requested. | R |
| b10 | BUSST | MPU Bus Slave Error Interrupt Status Flag | 0: Interrupt not requested 1: Interrupt requested. | R |
| b11 | BUSMST | MPU Bus Master Error Interrupt Status Flag | 0: Interrupt not requested 1: Interrupt requested. | R |
| b12 | SPEST | CPU Stack pointer monitor Interrupt Status Flag | 0: Interrupt not requested 1: Interrupt requested. | R |
| b15 to b13 | — | Reserved | These bits are read as 0. | R |

The NMISR register monitors the status of non-maskable interrupt sources. Writes to the NMISR register are ignored. The setting in the Non-Maskable Interrupt Enable Register (NMIER) does not affect the status flags in this register. Before the end of the non-maskable interrupt handler, check that all of the bits in this register are set to 0 to confirm that no other NMI requests have occurred during handler processing.

IWDTST flag (IWDT Underflow/Refresh Error Status Flag)

The IWDTST flag indicates an IWDT underflow/refresh error interrupt request. It is read-only and cleared by the NMICLR.IWDTCLR bit.

[Setting condition]

- When an IWDT underflow/refresh error interrupt occurs and this interrupt is enabled.

[Clearing condition]

- When 1 is written to the NMICLR.IWDTCLR bit.

WDTST flag (WDT Underflow/Refresh Error Status Flag)

The WDTST flag indicates a WDT underflow/refresh error interrupt request. It is read-only and cleared by the NMICLR.WDTCLR bit.

[Setting condition]

- When a WDT underflow/refresh error interrupt occurs.

[Clearing condition]

- When 1 is written to the NMICLR.WDTCLR bit.

LVD1ST flag (Voltage Monitor 1 Interrupt Status Flag)

The LVD1ST flag indicates a request for voltage monitor 1 interrupt. It is read-only and cleared by the NMICLR.LVD1CLR bit.

[Setting condition]

- When a voltage monitor 1 interrupt occurs and this interrupt is enabled.

[Clearing condition]

- When 1 is written to the NMICLR.LVD1CLR bit.

LVD2ST flag (Voltage Monitor 2 Interrupt Status Flag)

The LVD2ST flag indicates a request for voltage monitor 2 interrupt. It is read-only and cleared by the NMICLR.LVD2CLR bit.

[Setting condition]

- When a voltage monitor 2 interrupt occurs and this interrupt is enabled.

[Clearing condition]

- When 1 is written to the NMICLR.LVD2CLR bit.

VBATTST flag (VBATT monitor Interrupt Status Flag)

The VBATTST flag indicates a VBATT monitor interrupt request. It is read-only and cleared by the NMICLR.VBATTCLR bit.

[Setting condition]

- When a VBATT monitor interrupt occurs.

[Clearing condition]

- When 1 is written to the NMICLR.VBATTCLR bit.

OSTST flag (Oscillation Stop Detection Interrupt Status Flag)

The OSTST flag indicates a main oscillation stop detection interrupt request. It is read-only and cleared by the NMICLR.OSTCLR bit.

[Setting condition]

- When an oscillation stop detection interrupt occurs.

[Clearing condition]

- When 1 is written to the NMICLR.OSTCLR bit.

NMIST flag (NMI Status Flag)

The NMIST flag indicates an NMI pin interrupt request. It is read-only and cleared by the NMICLR.NMICLR bit.

[Setting condition]

- When an edge specified by the NMICR.NMIMD bit is input to the NMI pin.

[Clearing condition]

- When 1 is written to the NMICLR.NMICLR bit.

RPEST flag (SRAM Parity Error Interrupt Status Flag)

The RPEST flag indicates an SRAM parity error interrupt request.

[Setting condition]

- When an interrupt occurs in response to an SRAM parity error.

[Clearing condition]

- When 1 is written to the NMICLR.RPECLR bit.

RECCST flag (SRAM ECC Error Interrupt Status Flag)

The RECCST flag indicates an SRAM ECC error interrupt request.

[Setting condition]

- When an interrupt occurs in response to an SRAM ECC error.

[Clearing condition]

- When 1 is written to the NMICLR.RECCCLR bit.

BUSSST flag (MPU Bus Slave Error Interrupt Status Flag)

The BUSST flag indicates a bus slave error interrupt request.

[Setting condition]

- When an interrupt occurs in response to a bus slave error.

[Clearing condition]

- When 1 is written to the NMICLR.BUSSCLR bit.

BUSMST flag (MPU Bus Master Error Interrupt Status Flag)

The BUSMST flag indicates a bus master error interrupt request.

[Setting condition]

- When an interrupt occurs in response to a bus master error.

[Clearing condition]

- When 1 is written to the NMICLR.BUSMCLR bit.

SPEST flag (CPU Stack pointer monitor Interrupt Status Flag)

The SPEST flag indicates a CPU stack pointer monitor interrupt request.

[Setting condition]

- When an interrupt occurs in response to a CPU stack pointer monitor.

[Clearing condition]

- When 1 is written to the NMICLR.SPECLR bit.

13.2.3 Non-Maskable Interrupt Enable Register (NMIER)

Address(es): ICU.NMIER 4000 6120h

| | | | | | | | | | | | | | | | |
|--------------------|-----|-----|-------|--------|--------|---------|-------|-------|-------|----|---------|--------|--------|--------|---------|
| b15 | b14 | b13 | b12 | b11 | b10 | b9 | b8 | b7 | b6 | b5 | b4 | b3 | b2 | b1 | b0 |
| — | — | — | SPEEN | BUSMEN | BUSSEN | RECCEEN | RPEEN | NMIEN | OSTEN | — | VBATTEN | LVD2EN | LVD1EN | WDTEEN | IWDTEEN |
| Value after reset: | 0 | 0 | 0 | 0 | 0 | 0 | 0 | 0 | 0 | 0 | 0 | 0 | 0 | 0 | 0 |

| Bit | Symbol | Bit name | Description | R/W |
|------------|---------|-----------------------------------------------|--------------------------------------------------------|-----------------|
| b0 | IWDTEN | IWDT Underflow/Refresh Error Interrupt Enable | 0: Disabled 1: Enabled. | R/(W) *1, *2 |
| b1 | WDTEN | WDT Underflow/Refresh Error Interrupt Enable | 0: Disabled 1: Enabled. | R/(W) *1, *2 |
| b2 | LVD1EN | Voltage Monitor 1 Interrupt Enable | 0: Disabled 1: Enabled. | R/(W) *1, *2 |
| b3 | LVD2EN | Voltage Monitor 2 Interrupt Enable | 0: Disabled 1: Enabled. | R/(W) *1, *2 |
| b4 | VBATTEN | VBATT Monitor Interrupt Enable | 0: Disabled 1: Enabled. | R/(W) *1, *2 |
| b5 | — | Reserved | This bit is read as 0. The write value should be 0. | R/W |
| b6 | OSTEN | Oscillation Stop Detection Interrupt Enable | 0: Disabled 1: Enabled. | R/(W) *1, *2 |
| b7 | NMIEN | NMI Pin Interrupt Enable | 0: Disabled 1: Enabled. | R/(W) *1 |
| b8 | RPEEN | SRAM Parity Error Interrupt Enable | 0: Disabled 1: Enabled. | R/(W) *1, *2 |
| b9 | RECCEEN | SRAM ECC Error Interrupt Enable | 0: Disabled 1: Enabled. | R/(W) *1, *2 |
| b10 | BUSSEN | MPU Bus Slave Error Interrupt Enable | 0: Disabled 1: Enabled. | R/(W) *1, *2 |
| b11 | BUSMEN | MPU Bus Master Error Interrupt Enable | 0: Disabled 1: Enabled. | R/(W) *1, *2 |
| b12 | SPEEN | CPU Stack Pointer Monitor Interrupt Enable | 0: Disabled 1: Enabled. | R/(W) *1, *2 |
| b15 to b13 | — | Reserved | These bits are read as 0. The write value should be 0. | R/W |

Note 1. You can write 1 to this bit only after reset, and subsequent write accesses are invalid. Writing 0 to this bit is invalid.

Note 2. Do not write 1 to this bit when the source is used as an event signal.

IWDTEN bit (IWDT Underflow/Refresh Error Interrupt Enable)

The IWDTEN bit enables or disables IWDT underflow/refresh error interrupt as an NMI trigger.

WDTEN bit (WDT Underflow/Refresh Error Interrupt Enable)

The WDTEN bit enables or disables WDT underflow/refresh error interrupt as an NMI trigger.

LVD1EN bit (Voltage Monitor 1 Interrupt Enable)

The LVD1EN bit enables or disables voltage monitor 1 interrupt as an NMI trigger.

LVD2EN bit (Voltage Monitor 2 Interrupt Enable)

The LVD2EN bit enables or disables voltage monitor 2 interrupt as an NMI trigger.

VBATTEN bit (VBATT Monitor Interrupt Enable)

The VBATTEN bit enables or disables VBATT monitor interrupt as an NMI trigger.

OSTEN bit (Oscillation Stop Detection Interrupt Enable)

The OSTEN bit enables or disables main oscillation stop detection interrupt as an NMI trigger.

NMIEN bit (NMI Pin Interrupt Enable)

The NMIEN bit enables or disables NMI pin interrupt as an NMI trigger.

RPEEN bit (SRAM Parity Error Interrupt Enable)

The RPEEN bit enables or disables SRAM parity error interrupt as an NMI trigger.

RECCEN bit (SRAM ECC Error Interrupt Enable)

The RECCEN bit enables or disables SRAM ECC error interrupt as an NMI trigger.

BUSSEN bit (MPU Bus Slave Error Interrupt Enable)

The BUSSEN bit enables or disables bus slave error interrupt as an NMI trigger.

BUSMEN bit (MPU Bus Master Error Interrupt Enable)

The BUSMEN bit enables or disables bus master error interrupt as an NMI trigger.

SPEEN bit (CPU Stack Pointer Monitor Interrupt Enable)

The SPEEN bit enables or disables CPU stack pointer monitor interrupt as an NMI trigger.

13.2.4 Non-Maskable Interrupt Status Clear Register (NMICLR)

Address(es): ICU.NMICLR 4000 6130h

| | b15 | b14 | b13 | b12 | b11 | b10 | b9 | b8 | b7 | b6 | b5 | b4 | b3 | b2 | b1 | b0 |
|--------------------|-----|-----|-----|------------|-------------|-------------|------------|------------|------------|------------|----|--------------|-------------|-------------|------------|--------------|
| | — | — | — | SPECL R | BUSM CLR | BUSSC LR | RECC LR | RPECL R | NMICL R | OSTCL R | — | VBATT CLR | LVD2C LR | LVD1C LR | WDTCL R | IWDTCL LR |
| Value after reset: | 0 | 0 | 0 | 0 | 0 | 0 | 0 | 0 | 0 | 0 | 0 | 0 | 0 | 0 | 0 | 0 |

| Bit | Symbol | Bit name | Description | R/W |
|-----|----------|-------------------------|-----------------------------------------------------|---------|
| b0 | IWDTCLR | IWDT Clear | 0: No effect 1: Clear the NMISR.IWDTST flag. | R/(W)*1 |
| b1 | WDTCLR | WDT Clear | 0: No effect 1: Clear the NMISR.WDTST flag. | R/(W)*1 |
| b2 | LVD1CLR | LVD1 Clear | 0: No effect 1: Clear the NMISR.LVD1ST flag. | R/(W)*1 |
| b3 | LVD2CLR | LVD2 Clear | 0: No effect 1: Clear the NMISR.LVD2ST flag. | R/(W)*1 |
| b4 | VBATTCLR | VBATT Clear | 0: No effect 1: Clear the NMISR.VBATTST flag. | R/(W)*1 |
| b5 | — | Reserved | This bit is read as 0. The write value should be 0. | R/(W)*1 |
| b6 | OSTCLR | OST Clear | 0: No effect 1: Clear the NMISR.OSTST flag. | R/(W)*1 |
| b7 | NMICLR | NMI Clear | 0: No effect 1: Clear the NMISR.NMIST flag. | R/(W)*1 |
| b8 | RPECLR | SRAM Parity Error Clear | 0: No effect 1: Clear the NMISR.RPEST flag. | R/(W)*1 |
| b9 | RECCCLR | SRAM ECC Error Clear | 0: No effect 1: Clear the NMISR.RECCST flag. | R/(W)*1 |
| b10 | BUSSCLR | Bus Slave Error Clear | 0: No effect 1: Clear the NMISR.BUSSST flag. | R/(W)*1 |
| b11 | BUSMCLR | Bus Master Error Clear | 0: No effect 1: Clear the NMISR.BUSMST flag. | R/(W)*1 |

| Bit | Symbol | Bit name | Description | R/W |
|------------|---------------|-------------------------------------------|--------------------------------------------------------|---------------------|
| b12 | SPECLR | CPU Stack Pointer Monitor Interrupt Clear | 0: No effect. 1: Clear the NMISR.SPEST flag. | R/(W)* ¹ |
| b15 to b13 | — | Reserved | These bits are read as 0. The write value should be 0. | R/(W)* ¹ |

Note 1. Only 1 can be written to this bit.

IWDTCLR bit (IWDT Clear)

Writing 1 to the IWDTCLR bit clears the NMISR.IWDTST flag. The IWDTCLR bit is read as 0.

WDTCLR bit (WDT Clear)

Writing 1 to the WDTCLR bit clears the NMISR.WDTST flag. The WDTCLR bit is read as 0.

LVD1CLR bit (LVD1 Clear)

Writing 1 to the LVD1CLR bit clears the NMISR.LVD1ST flag. The LVD1CLR bit is read as 0.

LVD2CLR bit (LVD2 Clear)

Writing 1 to the LVD2CLR bit clears the NMISR.LVD2ST flag. The LVD2CLR bit is read as 0.

VBATTCLR bit (VBATT Clear)

Writing 1 to the VBATTCLR bit clears the NMISR.VBATTST flag. The VBATTCLR bit is read as 0.

OSTCLR bit (OST Clear)

Writing 1 to the OSTCLR bit clears the NMISR.OSTST flag. The OSTCLR bit is read as 0.

NMICLR bit (NMI Clear)

Writing 1 to the NMICLR bit clears the NMISR.NMIST flag. The NMICLR bit is read as 0.

RPECLR bit (SRAM Parity Error Clear)

Writing 1 to the RPECLR bit clears the NMISR.RPEST flag. The RPECLR bit is read as 0.

RECCCLR bit (SRAM ECC Error Clear)

Writing 1 to the RECCCLR bit clears the NMISR.RECCST flag. The RECCCLR bit is read as 0.

BUSSCLR bit (Bus Slave Error Clear)

Writing 1 to the BUSSCLR bit clears the NMISR.BUSSST flag. The BUSSCLR bit is read as 0.

BUSMCLR bit (Bus Master Error Clear)

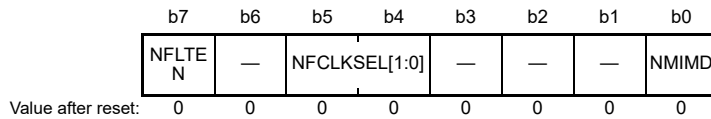
Writing 1 to the BUSMCLR bit clears the NMISR.BUSMSST flag. The BUSMCLR bit is read as 0.

SPECLR bit (CPU Stack Pointer Monitor Interrupt Clear)

Writing 1 to the SPECLR bit clears the NMISR.SPEST flag. The SPECLR bit is read as 0.

13.2.5 NMI Pin Interrupt Control Register (NMICR)

Address(es): ICU.NMICR 4000 6100h



| Bit | Symbol | Bit name | Description | R/W |
|----------|---------------|------------------------------------------|------------------------------------------------------------------------|-----|
| b0 | NMIMD | NMI Detection Set | 0: Falling edge 1: Rising edge. | R/W |
| b3 to b1 | — | Reserved | These bits are read as 0. The write value should be 0. | R/W |
| b5, b4 | NFCLKSEL[1:0] | NMI Digital Filter Sampling Clock Select | b5 b4 0 0: PCLKB 0 1: PCLKB/8 1 0: PCLKB/32 1 1: PCLKB/64. | R/W |
| b6 | — | Reserved | This bit is read as 0. The write value should be 0. | R/W |
| b7 | NFLTEN | NMI Digital Filter Enable | 0: Digital filter disabled 1: Digital filter enabled. | R/W |

Change the NMICR register settings before enabling NMI pin interrupt, before setting NMIER.NMIEN to 1.

NMIMD bit (NMI Detection Set)

The NMIMD bit selects the detection sensing method for the NMI pin interrupts.

NFCLKSEL[1:0] bits (NMI Digital Filter Sampling Clock Select)

The NFCLKSEL[1:0] bits select the digital filter sampling clock for NMI pin interrupts, selectable to:

- PCLKB (every cycle)
- PCLKB/8 (once every 8 cycles)
- PCLKB/32 (once every 32 cycles)
- PCLKB/64 (once every 64 cycles).

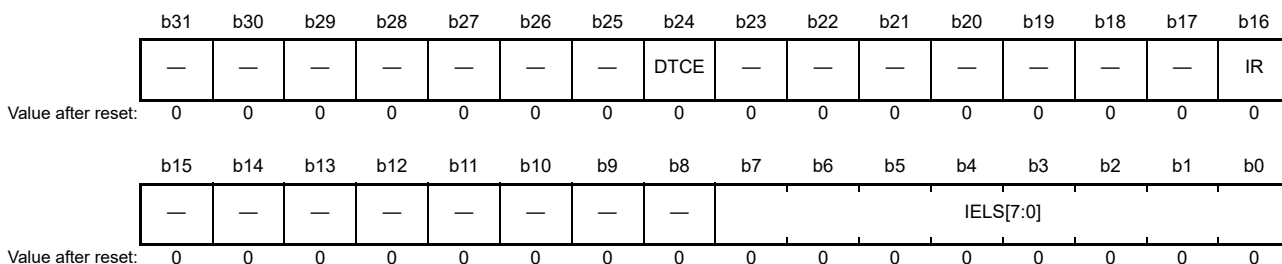
For details on the digital filter, see [section 13.4.3, Digital Filter](#).

NFLTEN bit (NMI Digital Filter Enable)

The NFLTEN bit enables the digital filter used for NMI pin interrupts. The filter is enabled when NFLTEN is 1 and disabled when NFLTEN is 0. The NMI pin level is sampled at the clock cycle specified in NMIFLTC.NFCLKSEL[1:0]. When the sampled level matches three times, the output level from the digital filter changes. For details on the digital filter, see [section 13.4.3, Digital Filter](#).

13.2.6 ICU Event Link Setting Register n (IELSRn)

Address(es): ICU.IELSR0 4000 6300h, ICU.IELSR1 4000 6304h, ICU.IELSR2 4000 6308h, ICU.IELSR3 4000 630Ch,.....
ICU.IELSR28 4000 6370h, ICU.IELSR29 4000 6374h, ICU.IELSR30 4000 6378h, ICU.IELSR31 4000 637Ch



| Bit | Symbol | Bit name | Description | R/W |
|------------|------------------|-----------------------|---------------------------------------------------------------------------------------------------------------------------------------------------------------------------|-------------|
| b7 to b0 | IELS[7:0] | ICU Event Link Select | b7 b0 00000000: Disable interrupts to the associated NVIC/DTC 00000001 to 11011001: Event signal number to be linked. For details, see Table 13.4 . | R/W |
| b15 to b8 | — | Reserved | These bits are read as 0. The write value should be 0. | R/W |
| b16 | IR | Interrupt Status Flag | 0: No interrupt request occurred 1: An interrupt request occurred. | R/(W) *1 |
| b23 to b17 | — | Reserved | These bits are read as 0. The write value should be 0. | R/W |
| b24 | DTCE | DTC Activation Enable | 0: DTC activation disabled 1: DTC activation enabled. | R/W |
| b31 to b25 | — | Reserved | These bits are read as 0. The write value should be 0. | R/W |

Note: This register requires halfword or word access.

Note 1. Writing 1 to the IR flag is prohibited.

The IELSRn register selects the IRQ source used by the NVIC. For details, see [Table 13.4, Event table](#).

IELSRn, where n = 0 to 31, corresponds to the NVIC IRQ input source numbers 0 to 31.

IELS[7:0] bits (ICU Event Link Select)

The IELS[7:0] bits link an event signal to the associated NVIC/DTC module.

IR flag (Interrupt Status Flag)

The IR status flag indicates that an interrupt request is generated from the event specified in IELS[7:0].

[Setting condition]

- When an interrupt request is received from the associated peripheral module or IRQi pin.

[Clearing conditions]

- When 0 is written to the flag. DTCE must be set to 0 before writing 0 to the IR flag.

To clear the IR flag:

1. Negate the input interrupt signal.
2. Read the peripheral once and wait for 2 clock cycles of the target module clock.
3. Clear the IR flag by writing 0.

DTCE bit (DTC Activation Enable)

When the DTCE bit is set to 1, the associated event is selected as the source for DTC activation.

[Setting condition]

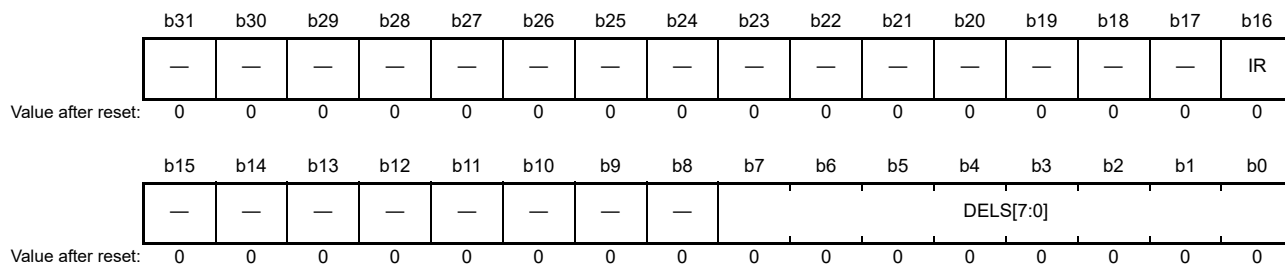
When 1 is written to the DTCE bit.

[Clearing conditions]

- When the specified number of transfers is complete. For chain transfers, when the specified number of transfers for the last chain transfer is complete
- When 0 is written to the bit.

13.2.7 DMAC Event Link Setting Register n (DELSRn)

Address: ICU.DELSR0 4000 6280h, ICU.DELSR1 4000 6284h, ICU.DELSR2 4000 6288h, ICU.DELSR3 4000 628Ch



| Bit | Symbol | Bit name | Description | R/W |
|------------|-----------|--------------------------------|-------------------------------------------------------------------------------------------------------------------------------------------------------------------------------------------------------------------------------------|-----------|
| b7 to b0 | DELS[7:0] | DMAC Event Link Select | b7 b0 00000000: Disable DMA start request to the associated DMAC module. 00000001 to 11011001: Event signal number to be linked. Other settings are prohibited. For details, see Table 13.4, Event table . | R/W |
| b15 to b8 | — | Reserved | These bits are read as 0. The write value should be 0. | R/W |
| b16 | IR | Interrupt Status Flag for DMAC | 0: No interrupt request is generated 1: An interrupt request is generated. | R/W *1 |
| b31 to b17 | — | Reserved | These bits are read as 0. The write value should be 0. | R/W |

Note: This register requires halfword or word access.

Note 1. Writing 1 to the IR flag is prohibited.

DELS[7:0] bits (DMAC Event Link Select)

The DELS[7:0] bits link an event signal for the DMAC module.

IR flag (Interrupt Status Flag for DMAC)

The IR flag indicates the status of an individual DMA transfer request. This flag corresponds to the DELS[7:0] bits of the same register.

[Setting condition]

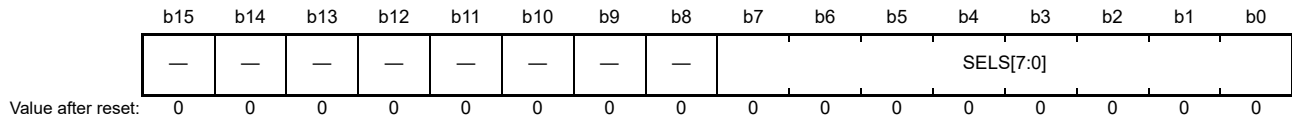
- The flag is set to 1 when a DMA transfer request is generated from the corresponding peripheral module or IRQi pin.

[Clearing conditions]

- When 0 is written to the flag
- At the start of a DMA transfer after the DMA transfer request is issued.

13.2.8 SYS Event Link Setting Register (SELSR0)

Address(es): ICU.SELSR0 4000 6200h

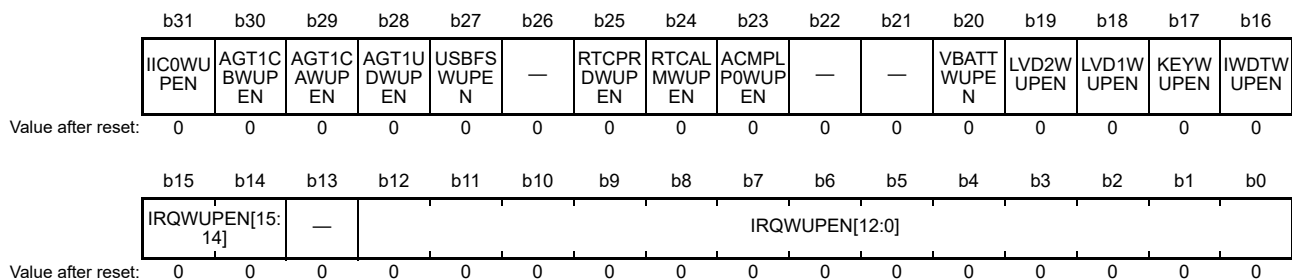


| Bit | Symbol | Bit name | Description | R/W |
|-----------|---------------------------|-----------------------|-------------------------------------------------------------------------------------------------------------------------------------------------------------------------------------------------------------------------------------|-----|
| b7 to b0 | SELS[7:0] | SYS Event Link Select | b7 b0 00000000: Disable event output to the associated low power mode module 00000001 to 11011001: Event signal number to be linked. Other settings are prohibited. For details, see Table 13.4, Event table. | R/W |
| b15 to b8 | — | Reserved | These bits are read as 0. The write value should be 0. | R/W |

The SELSR0 register selects the events that wake up the CPU from Snooze mode. You can only use the events listed in [Table 13.4](#) checked as “Canceling Snooze using SELSR0”. Events specified in this register are defined as ICU_SNZCANCEL (017h) in [Table 13.4](#). When 017h is set in IELSRn.IELS, an SELSR0 event interrupt occurs.

13.2.9 Wake Up Interrupt Enable Register (WUPEN)

Address(es): ICU.WUPEN 4000 61A0h



| Bit | Symbol | Bit name | Description | R/W |
|-----------|---------------------------------|---------------------------------------------------------|------------------------------------------------------------------------------------------------------------------------------------|-----|
| b12 to b0 | IRQWUPEN[12:0] | IRQ Interrupt Software Standby Returns Enable | 0: Software standby returns by IRQ interrupt disabled 1: Software standby returns by IRQ interrupt enabled. | R/W |
| b13 | — | Reserved | This bit is read as 0. The write value should be 0. | R/W |
| b15, b14 | IRQWUPEN[15:14] | IRQ Interrupt Software Standby Returns Enable | 0: Software standby returns by IRQ interrupt disabled 1: Software standby returns by IRQ interrupt enabled. | R/W |
| b16 | IWDTWUPEN | IWDT Interrupt Software Standby Returns Enable | 0: Software standby returns by IWDT interrupt disabled 1: Software standby returns by IWDT interrupt enabled. | R/W |
| b17 | KEYWUPEN | Key Interrupt Software Standby Returns Enable | 0: Software standby returns by KEY interrupt disabled 1: Software standby returns by KEY interrupt enabled. | R/W |
| b18 | LVD1WUPEN | LVD1 Interrupt Software Standby Returns Enable | 0: Software standby returns by LVD1 interrupt disabled 1: Software standby returns by LVD1 interrupt enabled. | R/W |
| b19 | LVD2WUPEN | LVD2 Interrupt Software Standby Returns Enable | 0: Software standby returns by LVD2 interrupt disabled 1: Software standby returns by LVD2 interrupt enabled. | R/W |
| b20 | VBATTWUPEN | VBATT Monitor Interrupt Software Standby Returns Enable | 0: Software standby returns by VBATT monitor interrupt disabled 1: Software standby returns by VBATT monitor interrupt enabled. | R/W |

| Bit | Symbol | Bit name | Description | R/W |
|----------|--------------|----------------------------------------------------------------|--------------------------------------------------------------------------------------------------------------------------------------------------|-----|
| b22, b21 | — | Reserved | These bits are read as 0. The write value should be 0. | R/W |
| b23 | ACMPLP0WUPEN | ACMPLP0 Interrupt Software Standby Returns Enable | 0: Software standby returns by ACMPLP0 interrupt disabled 1: Software standby returns by ACMPLP0 interrupt enabled. | R/W |
| b24 | RTCALMWUPEN | RTC Alarm Interrupt Software Standby Returns Enable | 0: Software standby returns by RTC alarm interrupt disabled 1: Software standby returns by RTC alarm interrupt enabled. | R/W |
| b25 | RTCPRDWUPEN | RTC Period Interrupt Software Standby Returns Enable | 0: Software standby returns by RTC period interrupt disabled 1: Software standby returns by RTC period interrupt enabled. | R/W |
| b26 | — | Reserved | This bit is read as 0. The write value should be 0. | R/W |
| b27 | USBFSWUPEN | USBFS Interrupt Software Standby Returns Enable | 0: Software standby returns by USBFS interrupt disabled 1: Software standby returns by USBFS interrupt enabled. | R/W |
| b28 | AGT1UDWUPEN | AGT1 Underflow Interrupt Software Standby Returns Enable | 0: Software standby returns by AGT1 underflow interrupt disabled 1: Software standby returns by AGT1 underflow interrupt enabled. | R/W |
| b29 | AGT1CAWUPEN | AGT1 Compare Match A Interrupt Software Standby Returns Enable | 0: Software standby returns by AGT1 compare match A interrupt disabled 1: Software standby returns by AGT1 compare match A interrupt enabled. | R/W |
| b30 | AGT1CBWUPEN | AGT1 Compare Match B Interrupt Software Standby Returns Enable | 0: Software standby returns by AGT1 compare match B interrupt disabled 1: Software standby returns by AGT1 compare match B interrupt enabled. | R/W |
| b31 | IIC0WUPEN | IIC0 Address Match Interrupt Software Standby Returns Enable | 0: Software standby returns by IIC0 address match interrupt disabled 1: Software standby returns by IIC0 address match interrupt enabled. | R/W |

The bits in this register control whether the associated interrupt can wake up the CPU from Software Standby mode.

IRQWUPEN[15:14], [12:0] bits (IRQ Interrupt Software Standby Returns Enable)

The IRQWUPEN[15:14], [12:0] bits enable the use of IRQn interrupts to cancel Software Standby mode.

IWDTWUPEN bit (IWDT Interrupt Software Standby Returns Enable)

The IWDTWUPEN bit enables the use of IWDT interrupts to cancel Software Standby mode.

KEYWUPEN bit (Key Interrupt Software Standby Returns Enable)

The KEYWUPEN bit enables the use of Key interrupts to cancel Software Standby mode.

LVD1WUPEN bit (LVD1 Interrupt Software Standby Returns Enable)

The LVD1WUPEN bit enables the use of LVD1 interrupts to cancel Software Standby mode.

LVD2WUPEN bit (LVD2 Interrupt Software Standby Returns Enable)

The LVD2WUPEN bit enables the use of LVD2 interrupts to cancel Software Standby mode.

VBATTWUPEN bit (VBATT Monitor Interrupt Software Standby Returns Enable)

The VBATTWUPEN bit enables the use of VBATT monitor interrupts to cancel Software Standby mode.

ACMPLP0WUPEN bit (ACMPLP0 Interrupt Software Standby Returns Enable)

The ACMPLP0WUPEN bit enables the use of ACMPLP0 interrupts to cancel Software Standby mode.

RTCALMWUPEN bit (RTC Alarm Interrupt Software Standby Returns Enable)

The RTCALMWUPEN bit enables the use of RTC alarm interrupts to cancel Software Standby mode.

RTCPRDWUPEN bit (RTC Period Interrupt Software Standby Returns Enable)

The RTCPRDWUPEN bit enables the use of RTC period interrupts to cancel Software Standby mode.

USBFSWUPEN bit (USBFS Interrupt Software Standby Returns Enable)

The USBFSWUPEN bit enables the use of USBFS interrupts to cancel Software Standby mode.

AGT1UDWUPEN bit (AGT1 Underflow Interrupt Software Standby Returns Enable)

The AGT1UDWUPEN bit enables the use of AGT1 underflow interrupts to cancel Software Standby mode.

AGT1CAWUPEN bit (AGT1 Compare Match A Interrupt Software Standby Returns Enable)

The AGT1CAWUPEN bit enables the use of AGT1 compare match A interrupts to cancel Software Standby mode.

AGT1CBWUPEN bit (AGT1 Compare Match B Interrupt Software Standby Returns Enable)

The AGT1CBWUPEN bit enables the use of AGT1 compare match B interrupts to cancel Software Standby mode.

IIC0WUPEN bit (IIC0 Address Match Interrupt Software Standby Returns Enable)

The IIC0WUPEN bit enables the use of IIC0 interrupts to cancel Software Standby mode.

13.3 Vector Table

The ICU detects maskable and non-maskable interrupts. Interrupt priorities are set up in the Arm NVIC. For information about these registers, see the NVIC chapter of the *ARM® Cortex®-M4 Processor Technical Reference Manual* (ARM DDI 0439D).

13.3.1 Interrupt Vector Table

Table 13.3 describes the interrupt vector table. The interrupt vector addresses conform to the NVIC specifications.

Table 13.3 Interrupt vector table (1 of 2)

| Exception number | IRQ number | Vector offset | Source | Description |
|------------------|------------|---------------|------------|------------------------------------------------------|
| 0 | - | 000h | Arm | Initial stack pointer |
| 1 | - | 004h | Arm | Initial program counter (reset vector) |
| 2 | - | 008h | Arm | Non-Maskable Interrupt (NMI) |
| 3 | - | 00Ch | Arm | Hard fault |
| 4 | - | 010h | Arm | MemManage fault |
| 5 | - | 014h | Arm | Bus fault |
| 6 | - | 018h | Arm | Usage fault |
| 7 | - | 01Ch | Arm | Reserved |
| 8 | - | 020h | Arm | Reserved |
| 9 | - | 024h | Arm | Reserved |
| 10 | - | 028h | Arm | Reserved |
| 11 | - | 02Ch | Arm | Supervisor Call (SVCALL) |
| 12 | - | 030h | Arm | Debug monitor |
| 13 | - | 034h | Arm | Reserved |
| 14 | - | 038h | Arm | Pendable request for system service (PendableSrvReq) |
| 15 | - | 03Ch | Arm | System Tick Timer (SysTick) |
| 16 | 0 | 040h | ICU.IELSR0 | Event selected in the ICU.IELSR0 register |
| 17 | 1 | 044h | ICU.IELSR1 | Event selected in the ICU.IELSR1 register |

Table 13.3 Interrupt vector table (2 of 2)

| Exception number | IRQ number | Vector offset | Source | Description |
|------------------|------------|---------------|-------------|--------------------------------------------|
| 18 | 2 | 048h | ICU.IELSR2 | Event selected in the ICU.IELSR2 register |
| 19 | 3 | 04Ch | ICU.IELSR3 | Event selected in the ICU.IELSR3 register |
| 20 | 4 | 050h | ICU.IELSR4 | Event selected in the ICU.IELSR4 register |
| 21 | 5 | 054h | ICU.IELSR5 | Event selected in the ICU.IELSR5 register |
| 22 | 6 | 058h | ICU.IELSR6 | Event selected in the ICU.IELSR6 register |
| 23 | 7 | 05Ch | ICU.IELSR7 | Event selected in the ICU.IELSR7 register |
| 24 | 8 | 060h | ICU.IELSR8 | Event selected in the ICU.IELSR8 register |
| 25 | 9 | 064h | ICU.IELSR9 | Event selected in the ICU.IELSR9 register |
| 26 | 10 | 068h | ICU.IELSR10 | Event selected in the ICU.IELSR10 register |
| 27 | 11 | 06Ch | ICU.IELSR11 | Event selected in the ICU.IELSR11 register |
| 28 | 12 | 070h | ICU.IELSR12 | Event selected in the ICU.IELSR12 register |
| 29 | 13 | 074h | ICU.IELSR13 | Event selected in the ICU.IELSR13 register |
| 30 | 14 | 078h | ICU.IELSR14 | Event selected in the ICU.IELSR14 register |
| 31 | 15 | 07Ch | ICU.IELSR15 | Event selected in the ICU.IELSR15 register |
| 32 | 16 | 080h | ICU.IELSR16 | Event selected in the ICU.IELSR16 register |
| 33 | 17 | 084h | ICU.IELSR17 | Event selected in the ICU.IELSR17 register |
| 34 | 18 | 088h | ICU.IELSR18 | Event selected in the ICU.IELSR18 register |
| 35 | 19 | 08Ch | ICU.IELSR19 | Event selected in the ICU.IELSR19 register |
| 36 | 20 | 090h | ICU.IELSR20 | Event selected in the ICU.IELSR20 register |
| 37 | 21 | 094h | ICU.IELSR21 | Event selected in the ICU.IELSR21 register |
| 38 | 22 | 098h | ICU.IELSR22 | Event selected in the ICU.IELSR22 register |
| 39 | 23 | 09Ch | ICU.IELSR23 | Event selected in the ICU.IELSR23 register |
| 40 | 24 | 0A0h | ICU.IELSR24 | Event selected in the ICU.IELSR24 register |
| 41 | 25 | 0A4h | ICU.IELSR25 | Event selected in the ICU.IELSR25 register |
| 42 | 26 | 0A8h | ICU.IELSR26 | Event selected in the ICU.IELSR26 register |
| 43 | 27 | 0ACh | ICU.IELSR27 | Event selected in the ICU.IELSR27 register |
| 44 | 28 | 0B0h | ICU.IELSR28 | Event selected in the ICU.IELSR28 register |
| 45 | 29 | 0B4h | ICU.IELSR29 | Event selected in the ICU.IELSR29 register |
| 46 | 30 | 0B8h | ICU.IELSR30 | Event selected in the ICU.IELSR30 register |
| 47 | 31 | 0BCh | ICU.IELSR31 | Event selected in the ICU.IELSR31 register |

13.3.2 Event Number

The following table lists heading details for [Table 13.4](#), which describes each event number.

| Heading | Description |
|--------------------------------------|----------------------------------------------------------------------------------------------------------------------------------------------|
| Interrupt request source | Name of the source generating the interrupt request |
| Name | Name of the interrupt |
| Form of interrupt detection (signal) | "Edge" or "level" as the method for detection of the interrupt. "✓" indicates usability as an NMI interrupt. |
| Connect to NVIC | "✓" indicates the interrupt can be used as a CPU interrupt (IELSRn setting) |
| Invoke DTC | "✓" indicates the interrupt can be used to request DTC activation (IELSRn setting) |
| Invoke DMAC | "✓" indicates the interrupt can be used to request DMAC activation (DELSRn setting) |
| Canceling Snooze mode | "✓" indicates the interrupt can be used to request a return from Snooze mode using SELSR0. Otherwise, "✓" indicates it can be used directly. |
| Canceling Software Standby mode | "✓" indicates that the interrupt can be used to request a return from Software Standby mode |

Table 13.4 Event table (1 of 5)

| Event number | Interrupt request source | Name | IELSRn | | DELSRn | Canceling Snooze | Canceling Software Standby |
|--------------|--------------------------|---------------|-----------------|------------|-------------|------------------|----------------------------|
| | | | Connect to NVIC | Invoke DTC | Invoke DMAC | | |
| 001h | Port | PORT_IRQ0 | ✓ | ✓ | ✓ | ✓ | ✓ |
| 002h | | PORT_IRQ1 | ✓ | ✓ | ✓ | ✓ | ✓ |
| 003h | | PORT_IRQ2 | ✓ | ✓ | ✓ | ✓ | ✓ |
| 004h | | PORT_IRQ3 | ✓ | ✓ | ✓ | ✓ | ✓ |
| 005h | | PORT_IRQ4 | ✓ | ✓ | ✓ | ✓ | ✓ |
| 006h | | PORT_IRQ5 | ✓ | ✓ | ✓ | ✓ | ✓ |
| 007h | | PORT_IRQ6 | ✓ | ✓ | ✓ | ✓ | ✓ |
| 008h | | PORT_IRQ7 | ✓ | ✓ | ✓ | ✓ | ✓ |
| 009h | | PORT_IRQ8 | ✓ | ✓ | ✓ | ✓ | ✓ |
| 00Ah | | PORT_IRQ9 | ✓ | ✓ | ✓ | ✓ | ✓ |
| 00Bh | | PORT_IRQ10 | ✓ | ✓ | ✓ | ✓ | ✓ |
| 00Ch | | PORT_IRQ11 | ✓ | ✓ | ✓ | ✓ | ✓ |
| 00Dh | | PORT_IRQ12 | ✓ | ✓ | ✓ | ✓ | ✓ |
| 00Fh | | PORT_IRQ14 | ✓ | ✓ | ✓ | ✓ | ✓ |
| 010h | | PORT_IRQ15 | ✓ | ✓ | ✓ | ✓ | ✓ |
| 011h | | DMAC0 | DMAC0_INT | ✓ | ✓ | - | - |
| 012h | DMAC1 | DMAC1_INT | ✓ | ✓ | - | - | - |
| 013h | DMAC2 | DMAC2_INT | ✓ | ✓ | - | - | - |
| 014h | DMAC3 | DMAC3_INT | ✓ | ✓ | - | - | - |
| 015h | DTC | DTC_COMPLETE | ✓ | - | - | ✓*4 | - |
| 017h | ICU | ICU_SNZCANCEL | ✓ | - | - | ✓ | - |
| 018h | FCU | FCU_FRDYI | ✓ | - | - | - | - |
| 019h | LVD | LVD_LVD1 | ✓ | - | - | ✓ | ✓ |
| 01Ah | | LVD_LVD2 | ✓ | - | - | ✓ | ✓ |
| 01Bh | VBATT | VBATT_LVD | ✓ | - | - | ✓ | ✓ |
| 01Ch | MOSC | MOSC_STOP | ✓ | - | - | - | - |
| 01Dh | Low power mode | SYSTEM_SNZREQ | - | ✓ | - | - | - |
| 01Eh | AGT0 | AGT0_AGTI | ✓ | ✓ | ✓ | - | - |
| 01Fh | | AGT0_AGTCMAI | ✓ | ✓ | ✓ | - | - |
| 020h | | AGT0_AGTCMBI | ✓ | ✓ | ✓ | - | - |
| 021h | AGT1 | AGT1_AGTI | ✓ | ✓ | ✓ | ✓ | ✓ |
| 022h | | AGT1_AGTCMAI | ✓ | ✓ | ✓ | ✓ | ✓ |
| 023h | | AGT1_AGTCMBI | ✓ | ✓ | ✓ | ✓ | ✓ |
| 024h | IWDT | IWDT_NMIUNDF | ✓ | - | - | ✓ | ✓ |
| 025h | WDT | WDT_NMIUNDF | ✓ | - | - | - | - |
| 026h | RTC | RTC_ALM | ✓ | - | - | ✓ | ✓ |
| 027h | | RTC_PRD | ✓ | - | - | ✓ | ✓ |
| 028h | | RTC_CUP | ✓ | - | - | - | - |

Table 13.4 Event table (2 of 5)

| Event number | Interrupt request source | Name | IELSRn | | DELSRn | Canceling Snooze | Canceling Software Standby |
|--------------|--------------------------|---------------|-----------------|------------|-------------|------------------|----------------------------|
| | | | Connect to NVIC | Invoke DTC | Invoke DMAC | | |
| 029h | ADC140 | ADC140_ADI | ✓ | ✓ | ✓ | - | - |
| 02Ah | | ADC140_GBADI | ✓ | ✓ | ✓ | - | - |
| 02Bh | | ADC140_CMPAI | ✓ | - | - | - | - |
| 02Ch | | ADC140_CMPBI | ✓ | - | - | - | - |
| 02Dh | | ADC140_WCMPPM | - | ✓ | ✓ | ✓*4 | |
| 02Eh | | ADC140_WCMPUM | - | ✓ | ✓ | ✓*4 | |
| 02Fh | ACMPLP | ACMP_LP0 | ✓ | - | - | ✓ | ✓ |
| 030h | | ACMP_LP1 | ✓ | - | - | - | - |
| 031h | USBFS | USBFS_D0FIFO | ✓ | ✓ | ✓ | - | - |
| 032h | | USBFS_D1FIFO | ✓ | ✓ | ✓ | - | - |
| 033h | | USBFS_USBI | ✓ | - | - | - | - |
| 034h | | USBFS_USBR | ✓ | - | - | ✓ | ✓ |
| 035h | IIC0 | IIC0_RXI | ✓ | ✓ | ✓ | - | - |
| 036h | | IIC0_TXI | ✓ | ✓ | ✓ | - | - |
| 037h | | IIC0_TEI | ✓ | - | - | - | - |
| 038h | | IIC0_EEI | ✓ | - | - | - | - |
| 039h | | IIC0_WUI | ✓ | - | - | ✓ | ✓ |
| 03Ah | IIC1 | IIC1_RXI | ✓ | ✓ | ✓ | - | - |
| 03Bh | | IIC1_TXI | ✓ | ✓ | ✓ | - | - |
| 03Ch | | IIC1_TEI | ✓ | - | - | - | - |
| 03Dh | | IIC1_EEI | ✓ | - | - | - | - |
| 03Eh | SSIE0 | SSIE0_SSITXI | ✓ | ✓ | ✓ | - | - |
| 03Fh | | SSIE0_SSIRXI | ✓ | ✓ | ✓ | - | - |
| 041h | | SSIE0_SSIF | ✓ | - | - | - | - |
| 042h | CTSU | CTSU_CTSUWR | ✓ | ✓ | ✓ | - | - |
| 043h | | CTSU_CTSURD | ✓ | ✓ | ✓ | - | - |
| 044h | | CTSU_CTSUFN | ✓ | - | - | ✓*4 | - |
| 045h | KINT | KEY_INTKR | ✓ | - | - | ✓*1 | ✓*1 |
| 046h | DOC | DOC_DOPCI | ✓ | - | - | ✓*4 | - |
| 047h | CAC | CAC_FERRI | ✓ | - | - | - | - |
| 048h | | CAC_MENDI | ✓ | - | - | - | - |
| 049h | | CAC_OVFI | ✓ | - | - | - | - |
| 04Ah | CAN0 | CAN0_ERS | ✓ | - | - | - | - |
| 04Bh | | CAN0_RXF | ✓ | - | - | - | - |
| 04Ch | | CAN0_TXF | ✓ | - | - | - | - |
| 04Dh | | CAN0_RXM | ✓ | - | - | - | - |
| 04Eh | | CAN0_TXM | ✓ | - | - | - | - |
| 04Fh | I/O port | IOPORT_GROUP1 | ✓ | ✓*2 | ✓*2 | - | - |
| 050h | | IOPORT_GROUP2 | ✓ | ✓*2 | ✓*2 | - | - |
| 051h | | IOPORT_GROUP3 | ✓ | ✓*2 | ✓*2 | - | - |
| 052h | | IOPORT_GROUP4 | ✓ | ✓*2 | ✓*2 | - | - |
| 053h | ELC | ELC_SWEVT0 | ✓*3 | ✓ | - | - | - |
| 054h | | ELC_SWEVT1 | ✓*3 | ✓ | - | - | - |

Table 13.4 Event table (3 of 5)

| Event number | Interrupt request source | Name | IELSRn | | DELSRn | Canceling Snooze | Canceling Software Standby | |
|--------------|--------------------------|-------------|-----------------|------------|-------------|------------------|----------------------------|---|
| | | | Connect to NVIC | Invoke DTC | Invoke DMAC | | | |
| 055h | POEG | POEG_GROUP0 | ✓ | - | - | - | - | |
| 056h | | POEG_GROUP1 | ✓ | - | - | - | - | |
| 057h | GPT320 | GPT0_CCMPA | ✓ | ✓ | ✓ | - | - | |
| 058h | | GPT0_CCMPB | ✓ | ✓ | ✓ | - | - | |
| 059h | | GPT0_CMPC | ✓ | ✓ | ✓ | - | - | |
| 05Ah | | GPT0_CMPD | ✓ | ✓ | ✓ | - | - | |
| 05Bh | | GPT0_CMPE | ✓ | ✓ | ✓ | - | - | |
| 05Ch | | GPT0_CMPF | ✓ | ✓ | ✓ | - | - | |
| 05Dh | | GPT0_OVF | ✓ | ✓ | ✓ | - | - | |
| 05Eh | | GPT0_UDF | ✓ | ✓ | ✓ | - | - | |
| 05Fh | | GPT321 | GPT1_CCMPA | ✓ | ✓ | ✓ | - | - |
| 060h | | | GPT1_CCMPB | ✓ | ✓ | ✓ | - | - |
| 061h | GPT1_CMPC | | ✓ | ✓ | ✓ | - | - | |
| 062h | GPT1_CMPD | | ✓ | ✓ | ✓ | - | - | |
| 063h | GPT1_CMPE | | ✓ | ✓ | ✓ | - | - | |
| 064h | GPT1_CMPF | | ✓ | ✓ | ✓ | - | - | |
| 065h | GPT1_OVF | | ✓ | ✓ | ✓ | - | - | |
| 066h | GPT1_UDF | | ✓ | ✓ | ✓ | - | - | |
| 067h | GPT162 | GPT2_CCMPA | ✓ | ✓ | ✓ | - | - | |
| 068h | | GPT2_CCMPB | ✓ | ✓ | ✓ | - | - | |
| 069h | | GPT2_CMPC | ✓ | ✓ | ✓ | - | - | |
| 06Ah | | GPT2_CMPD | ✓ | ✓ | ✓ | - | - | |
| 06Bh | | GPT2_CMPE | ✓ | ✓ | ✓ | - | - | |
| 06Ch | | GPT2_CMPF | ✓ | ✓ | ✓ | - | - | |
| 06Dh | | GPT2_OVF | ✓ | ✓ | ✓ | - | - | |
| 06Eh | | GPT2_UDF | ✓ | ✓ | ✓ | - | - | |
| 06Fh | GPT163 | GPT3_CCMPA | ✓ | ✓ | ✓ | - | - | |
| 070h | | GPT3_CCMPB | ✓ | ✓ | ✓ | - | - | |
| 071h | | GPT3_CMPC | ✓ | ✓ | ✓ | - | - | |
| 072h | | GPT3_CMPD | ✓ | ✓ | ✓ | - | - | |
| 073h | | GPT3_CMPE | ✓ | ✓ | ✓ | - | - | |
| 074h | | GPT3_CMPF | ✓ | ✓ | ✓ | - | - | |
| 075h | | GPT3_OVF | ✓ | ✓ | ✓ | - | - | |
| 076h | | GPT3_UDF | ✓ | ✓ | ✓ | - | - | |
| 077h | GPT164 | GPT4_CCMPA | ✓ | ✓ | ✓ | - | - | |
| 078h | | GPT4_CCMPB | ✓ | ✓ | ✓ | - | - | |
| 079h | | GPT4_CMPC | ✓ | ✓ | ✓ | - | - | |
| 07Ah | | GPT4_CMPD | ✓ | ✓ | ✓ | - | - | |
| 07Bh | | GPT4_CMPE | ✓ | ✓ | ✓ | - | - | |
| 07Ch | | GPT4_CMPF | ✓ | ✓ | ✓ | - | - | |
| 07Dh | | GPT4_OVF | ✓ | ✓ | ✓ | - | - | |
| 07Eh | | GPT4_UDF | ✓ | ✓ | ✓ | - | - | |

Table 13.4 Event table (4 of 5)

| Event number | Interrupt request source | Name | IELSRn | | DELSRn | Canceling Snooze | Canceling Software Standby |
|--------------|--------------------------|-----------------|-----------------|------------|-------------|------------------|----------------------------|
| | | | Connect to NVIC | Invoke DTC | Invoke DMAC | | |
| 07Fh | GPT165 | GPT5_CCMPA | ✓ | ✓ | ✓ | - | - |
| 080h | | GPT5_CCMPB | ✓ | ✓ | ✓ | - | - |
| 081h | | GPT5_CMPC | ✓ | ✓ | ✓ | - | - |
| 082h | | GPT5_CMPD | ✓ | ✓ | ✓ | - | - |
| 083h | | GPT5_CMPE | ✓ | ✓ | ✓ | - | - |
| 084h | | GPT5_CMPF | ✓ | ✓ | ✓ | - | - |
| 085h | | GPT5_OVF | ✓ | ✓ | ✓ | - | - |
| 086h | | GPT5_UDF | ✓ | ✓ | ✓ | - | - |
| 087h | GPT166 | GPT6_CCMPA | ✓ | ✓ | ✓ | - | - |
| 088h | | GPT6_CCMPB | ✓ | ✓ | ✓ | - | - |
| 089h | | GPT6_CMPC | ✓ | ✓ | ✓ | - | - |
| 08Ah | | GPT6_CMPD | ✓ | ✓ | ✓ | - | - |
| 08Bh | | GPT6_CMPE | ✓ | ✓ | ✓ | - | - |
| 08Ch | | GPT6_CMPF | ✓ | ✓ | ✓ | - | - |
| 08Dh | | GPT6_OVF | ✓ | ✓ | ✓ | - | - |
| 08Eh | | GPT6_UDF | ✓ | ✓ | ✓ | - | - |
| 08Fh | GPT167 | GPT7_CCMPA | ✓ | ✓ | ✓ | - | - |
| 090h | | GPT7_CCMPB | ✓ | ✓ | ✓ | - | - |
| 091h | | GPT7_CMPC | ✓ | ✓ | ✓ | - | - |
| 092h | | GPT7_CMPD | ✓ | ✓ | ✓ | - | - |
| 093h | | GPT7_CMPE | ✓ | ✓ | ✓ | - | - |
| 094h | | GPT7_CMPF | ✓ | ✓ | ✓ | - | - |
| 095h | | GPT7_OVF | ✓ | ✓ | ✓ | - | - |
| 096h | | GPT7_UDF | ✓ | ✓ | ✓ | - | - |
| 097h | GPT | GPT_UVWEDGE | ✓ | - | - | - | - |
| 098h | SCIO | SCIO_RXI | ✓ | ✓ | ✓ | - | - |
| 099h | | SCIO_TXI | ✓ | ✓ | ✓ | - | - |
| 09Ah | | SCIO_TEI | ✓ | - | - | - | - |
| 09Bh | | SCIO_ERI | ✓ | - | - | - | - |
| 09Ch | | SCIO_AM | ✓ | - | - | ✓*4 | - |
| 09Dh | | SCIO_RXI_OR_ERI | - | - | - | ✓*4 | - |
| 09Eh | SCI1 | SCI1_RXI | ✓ | ✓ | ✓ | - | - |
| 09Fh | | SCI1_TXI | ✓ | ✓ | ✓ | - | - |
| 0A0h | | SCI1_TEI | ✓ | - | - | - | - |
| 0A1h | | SCI1_ERI | ✓ | - | - | - | - |
| 0A2h | | SCI1_AM | ✓ | - | - | - | - |
| 0A3h | SCI2 | SCI2_RXI | ✓ | ✓ | ✓ | - | - |
| 0A4h | | SCI2_TXI | ✓ | ✓ | ✓ | - | - |
| 0A5h | | SCI2_TEI | ✓ | - | - | - | - |
| 0A6h | | SCI2_ERI | ✓ | - | - | - | - |
| 0A7h | | SCI2_AM | ✓ | - | - | - | - |

Table 13.4 Event table (5 of 5)

| Event number | Interrupt request source | Name | IELSRn | | DELSRn | Canceling Snooze | Canceling Software Standby |
|--------------|--------------------------|-------------|-----------------|------------|-------------|------------------|----------------------------|
| | | | Connect to NVIC | Invoke DTC | Invoke DMAC | | |
| 0A8h | SCI9 | SCI9_RXI | ✓ | ✓ | ✓ | - | - |
| 0A9h | | SCI9_TXI | ✓ | ✓ | ✓ | - | - |
| 0AAh | | SCI9_TEI | ✓ | - | - | - | - |
| 0ABh | | SCI9_ERI | ✓ | - | - | - | - |
| 0ACh | | SCI9_AM | ✓ | - | - | - | - |
| 0ADh | SPI0 | SPI0_SPRI | ✓ | ✓ | ✓ | - | - |
| 0AEh | | SPI0_SPTI | ✓ | ✓ | ✓ | - | - |
| 0AFh | | SPI0_SPII | ✓ | - | - | - | - |
| 0B0h | | SPI0_SPEI | ✓ | - | - | - | - |
| 0B1h | | SPI0_SPTEND | ✓ | - | - | - | - |
| 0B2h | SPI1 | SPI1_SPRI | ✓ | ✓ | ✓ | - | - |
| 0B3h | | SPI1_SPTI | ✓ | ✓ | ✓ | - | - |
| 0B4h | | SPI1_SPII | ✓ | - | - | - | - |
| 0B5h | | SPI1_SPEI | ✓ | - | - | - | - |
| 0B6h | | SPI1_SPTEND | ✓ | - | - | - | - |

Note 1. Only supported when KRCTL.KRMD = 1.

Note 2. Only the first edge detection is valid.

Note 3. Only interrupts after DTC transfer are supported.

Note 4. Using SELSR0.

13.4 Interrupt Operation

The ICU performs the following functions:

- Detecting interrupts
- Enabling and disabling interrupts
- Selecting interrupt request destinations such as CPU interrupt, DTC activation, or DMAC activation.

13.4.1 Detecting Interrupts

External pin interrupt requests are detected by either the edge or level (falling edge, rising edge, rising and falling edge, or low level) of the interrupt signal. Set the IRQMD[1:0] bits in the IRQCRi register to select the detection mode for the IRQi pins. For interrupt sources associated with peripheral modules, see [section 13.3.2, Event Number](#). Events must be accepted by the NVIC before an interrupt occurs and is accepted by the CPU.

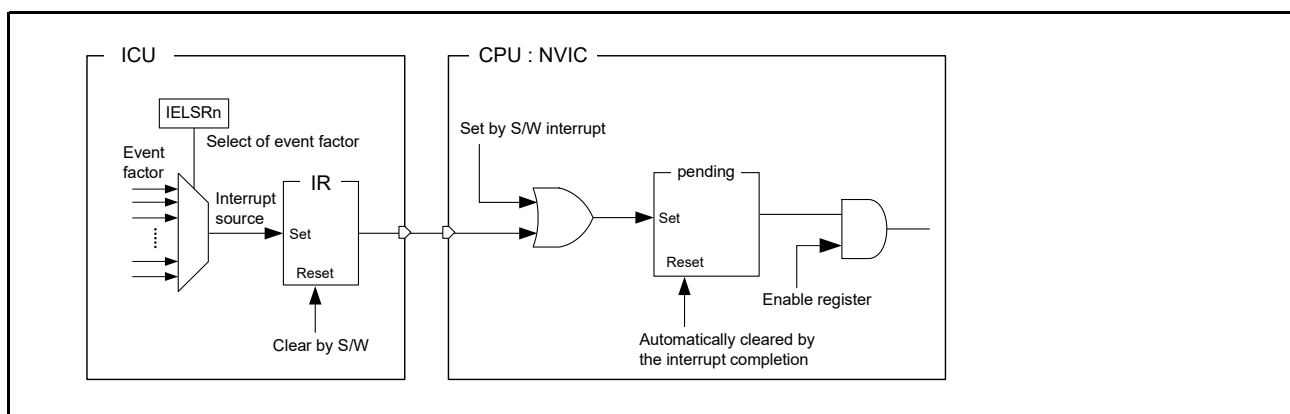


Figure 13.2 Interrupt path of the ICU, CPU: NVIC

- General operations during an interrupt:
 - When a non-software interrupt occurs:
The IELSRn.IR flag and Interrupt Set/Clear-Pending Register (NVIC) are set.
 - When a software interrupt occurs:
Set the Interrupt Set-Pending Register.
 - When an interrupt is complete:
Clear the IELSRn.IR flag with software.
The Interrupt Set/Clear-Pending Register clears automatically.
- When interrupts are enabled:
 - 1) Set the Interrupt Set-Enable Register.
 - 2) Set the IELSRn.IELS bits as interrupt source.
 - 3) Specify the operation settings for the event source.
- When interrupts are disabled:
 - 1) Disable the settings for the event source.
 - 2) Clear the IELSRn.IELS bits (IELSRn.IELS[7:0] = 000h). Clear the IELSRn.IR flag as required.
 - 3) Clear the Interrupt Clear-Enable Register. Clear the Interrupt Clear-Pending Register as required.
- When polling for interrupts:
 - 1) Set the Interrupt Clear-Enable Register (disabling interrupts).
 - 2) Set the IELSRn.IELS bits (selecting the source).
 - 3) Specify the operation settings for the event source.
 - 4) Poll the Interrupt Set-Pending Register.
 - 5) When polling is no longer required, follow the procedure for clearing an interrupt when it is complete.

13.4.2 Selecting Interrupt Request Destinations

The interrupt output destination, CPU, DTC or DMAC, can be independently selected for each interrupt source. The available destinations are fixed for each interrupt, as described in [Table 13.4, Event table](#).

Note: Do not use an interrupt request destination setting that is not indicated by a check, ✓, in the event list ([Table 13.4](#)).

If you select the CPU or DTC in one IELSRn register, setting the same interrupt factor in any other IELSRn register is prohibited. Similarly, if you select the DMAC in one DELSRn register, setting the same interrupt factor in any other DELSRn register is prohibited.

Note: Setting the same interrupt factor for IELSRn and DELSRn is prohibited.

If the DMAC or DTC is selected as the destination for requests from an IRQi pin, be sure to set the IRQMD[1:0] bits in IRQCRi for that interrupt to select edge detection.

13.4.2.1 CPU interrupt request

When IELSRn.DTCE = 0, the event specified in the IELSRn register is output to the NVIC. Set the IELSRn.IELS bits and IELSRn.DTCE bit to 0.

13.4.2.2 DTC activation

When IELSRn.DTCE = 1, the event specified in the IELSRn register is output to the DTC. After DTC transmission completes, the associated interrupt occurs. Use the following procedure:

1. Set the IELSRn.IELS bits to the target event and the IELSRn.DTCE bit to 1.

- Set the DTC module activation bit DTCST.DTCST to 1.

Table 13.5 shows operation when DTC is the request destination.

Table 13.5 Operations when DTC is activated

| Interrupt request destination | DISEL*1 | Remaining transfer operations | Operations per request | IR*2 | Interrupt request destination after transfer |
|-------------------------------|---------|-------------------------------|------------------------------|---------------------------------------------------------------------------|--------------------------------------------------------------------|
| DTC*3 | 1 | ≠ 0 | DTC transfer → CPU interrupt | Cleared on interrupt acceptance by the CPU | DTC |
| | | = 0 | DTC transfer → CPU interrupt | Cleared on interrupt acceptance by the CPU | The IELSRn.DTCE bit is cleared and the CPU becomes the destination |
| | 0 | ≠ 0 | DTC transfer | Cleared at the start of DTC data transfer after reading DTC transfer data | DTC |
| | | = 0 | DTC transfer → CPU interrupt | Cleared on interrupt acceptance by the CPU | The IELSRn.DTCE bit is cleared and the CPU becomes the destination |

Note 1. Set the interrupt request mode for the DTC in the DTC.MRB.DISEL bit.

Note 2. When the IELSRn.IR flag is 1, an interrupt request (DTC activation request) that occurs again is ignored.

Note 3. For chain transfers, DTC transfer continues until the last chain transfer ends. At this point, the DISEL bit state and the remaining transfer count determine whether a CPU interrupt occurs, the IELSRn.IR flag clear timing, and the interrupt request destination after transfer. See Table 17.3, Chain transfer conditions in section 17, Data Transfer Controller (DTC).

13.4.2.3 DMAC activation

When IELSRn.DTCE = 0, the event specified in the IELSRn register is output to the NVIC. To set the interrupt source for DMAC, use the following procedure:

- Set the DELSRn.DELS[7:0].
- Set the IELSRn.IELS bits to the target event and the IELSRn.DTCE bit to 1.
- Set the activation source for the target DMAC channel (DMACm.DMTMD.DCTG[1:0]) to 01b (interrupt module detection).
- Set the DMAC transfer enable bit for the target DMAC channel (DMACm.DMCNT.DTE) to 1.
- Set the DMAC operation enable bit (DMAST.DMST) to 1.

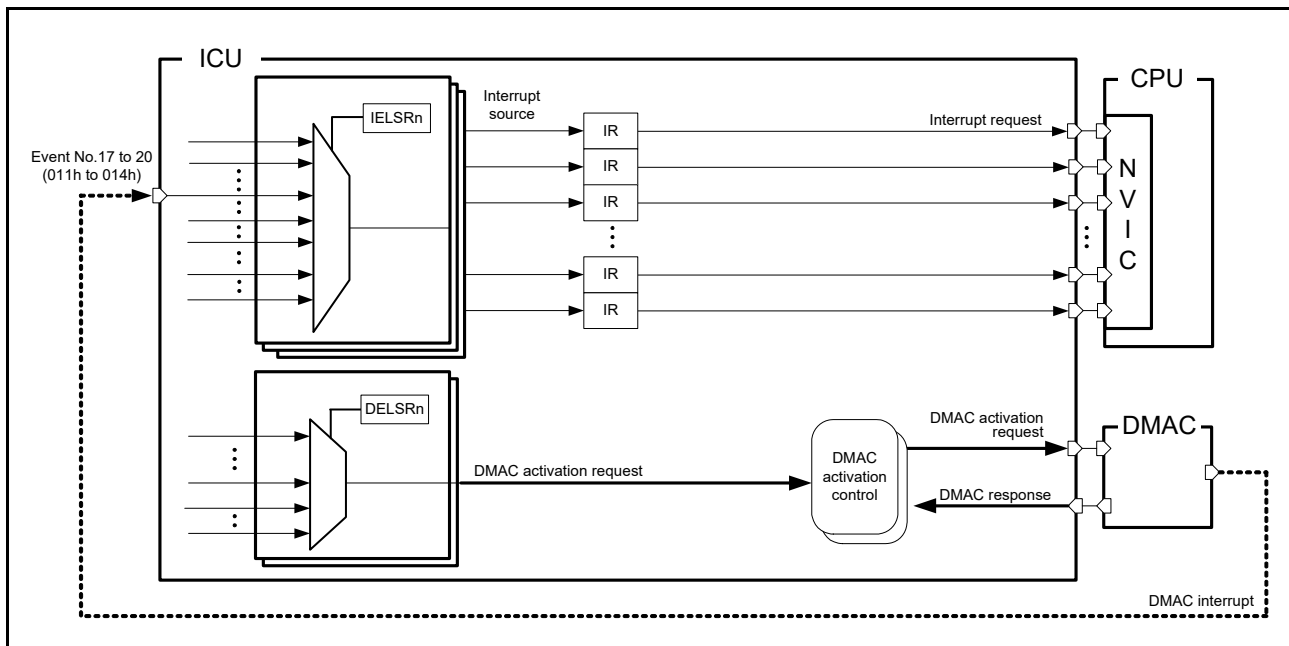


Figure 13.3 DMAC request trigger and interrupt path

13.4.3 Digital Filter

A digital filter function is provided for the external interrupt request pins (IRQ_i, $i = 0$ to 12, 14, 15) and NMI pin interrupt. It samples input signals on the filter PCLKB sampling clock and removes any signal with a pulse width less than 3 sampling cycles.

- To use the digital filter for a IRQ_i pin:

- 1) Set the sampling clock cycle to PCLKB, PCLKB/8, PCLKB/32, or PCLKB/64 in the IRQCR_i.FCLKSEL[1:0] bits ($i = 0$ to 12, 14, 15).
- 2) Set the IRQCR_i.FLTEN bit ($i = 0$ to 12, 14, 15) to 1 (digital filter enabled).

- To use the digital filter for the NMI pin:

- 1) Set the sampling clock cycle to PCLKB, PCLKB/8, PCLKB/32, or PCLKB/64 in the NMICR.NFCLKSEL[1:0] bits.
- 2) Set the NMICR.NFLTEN bit to 1 (digital filter enabled).

Figure 13.4 shows an example of digital filter operation.

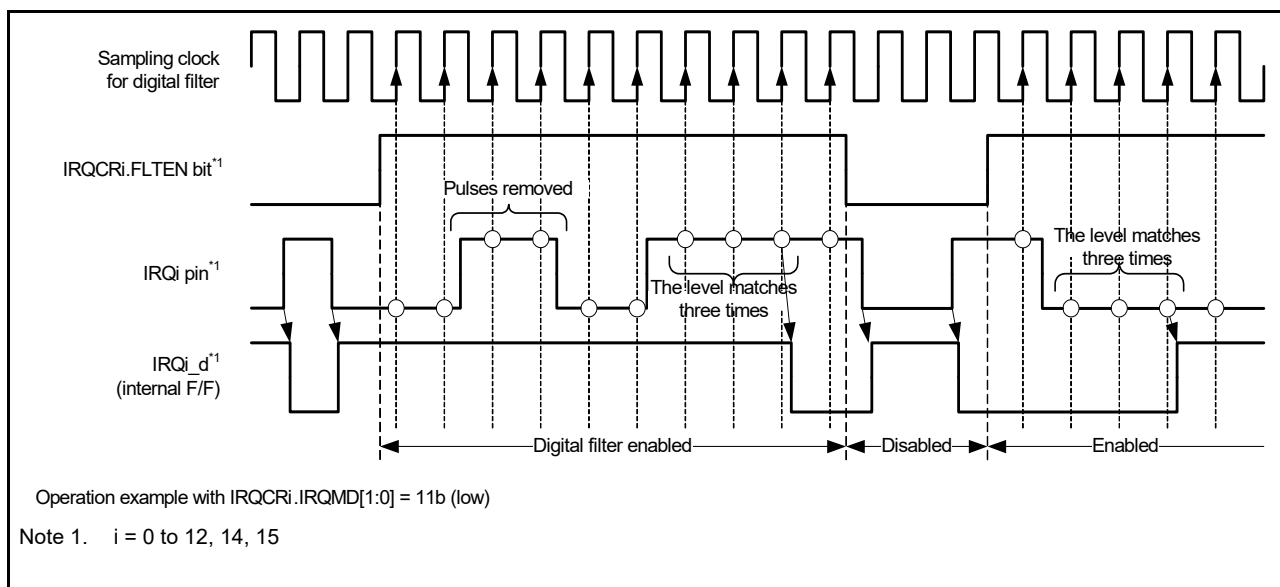


Figure 13.4 Digital filter operation example

Before entering Software Standby mode, disable the digital filters by clearing the $IRQCRi.FLTEN$ and $NMICR.NFLTEN$ bits. The ICU clock stops in Software Standby. On exiting Software Standby, the circuit detects the edge by comparing the state before standby to the state after standby release. If the input changes during Software Standby, an incorrect edge might be detected. You can enable the digital filters again after exiting Software Standby mode.

13.4.4 External Pin Interrupts

To use external pin interrupts:

1. Clear the $IRQCRi.FLTEN$ bit ($i = 0$ to 12, 14, 15) to 0 (digital filter disabled).
2. Set or confirm the I/O port settings.
3. Set the $IRQMD[1:0]$ bits, $FCLKSEL[1:0]$ bits and $FLTEN$ bit of $IRQCRi$ register.
4. Select the IRQ pin as follows:
 - If the IRQ pin is to be used for CPU interrupt request, set the $IELSRn.IELS[7:0]$ bits and $IELSRn.DTCE$ bit to 0
 - If the IRQ pin is to be used for DTC activation, set the $IELSRn.IELS[7:0]$ bits and $IELSRn.DTCE$ bit to 1
 - If the IRQ pin is to be used for DMAC activation, set the $DELSRn.DELS$ bits.

13.5 Non-Maskable Interrupt Operation

The following sources can trigger a non-maskable interrupt:

- NMI pin interrupt
- Oscillation stop detection interrupt
- WDT underflow/refresh error interrupt
- IWDT underflow/refresh error interrupt
- Voltage monitor 1 interrupt
- Voltage monitor 2 interrupt
- VBATT monitor interrupt
- SRAM parity error interrupt
- SRAM ECC error interrupt

- MPU bus master error interrupt
- MPU bus slave error interrupt
- CPU stack pointer monitor interrupt.

Non-maskable interrupts can only be used with the CPU, not to activate the DTC or DMAC. Non-maskable interrupts take precedence over all other interrupts. The non-maskable interrupt states can be verified in the Non-Maskable Interrupt Status Register (NMISR). Confirm that all bits in the NMISR are 0 before returning from the NMI handler.

Non-maskable interrupts are disabled by default. To use non-maskable interrupts, use the following procedure.

To use the NMI pin, follow steps 1 to 3:

1. Clear the NMICR.NFLTEN bit to 0 (digital filter disabled).
2. Set the NMIMD bit, NFCLKSEL[1:0] bits, and NFLTEN bit of the NMICR register.
3. Write 1 to the NMICLR.NMICLR bit to clear the NMISR.NMIST flag to 0.
4. Enable the non-maskable interrupt by writing 1 to the associated bit in the Non-Maskable Interrupt Enable Register (NMIER).

After 1 is written to the NMIER register, subsequent write access to the NMIEN bit in NMIER is ignored. An NMI interrupt cannot be disabled when enabled, except by a reset.

13.6 Return from Low Power Mode

[Table 13.4, Event table](#) lists the interrupt sources that you can use to exit Sleep or Software Standby mode. For details, see [section 10, Low Power Modes](#). Sections [13.6.1](#) to [13.6.3](#) describe how to use interrupts to return from Sleep, Software Standby, and Snooze modes.

13.6.1 Return from Sleep Mode

To return from Sleep mode in response to an interrupt:

1. Select the CPU as the interrupt request destination.
2. Enable the interrupt in the NVIC.

To return from Sleep mode in response to a non-maskable interrupt, use the NMIER register to enable the given interrupt request.

13.6.2 Return from Software Standby Mode

The ICU can return from Software Standby mode using a non-maskable interrupt or an interrupt selected in the WUPEN register. See [section 13.2.9, Wake Up Interrupt Enable Register \(WUPEN\)](#).

To return from Software Standby mode, you must:

1. Select the interrupt source that enables return from Software Standby:
 - For non-maskable interrupts, use the NMIER register to enable the target interrupt request
 - For maskable interrupts, use the WUPEN register to enable the target interrupt request.
2. Select the CPU as the interrupt request destination.
3. Enable the interrupt in the NVIC.

Interrupt requests through the IRQ pins that do not satisfy these conditions are not detected while the clock is stopped in Software Standby mode.

13.6.3 Return from Snooze mode

The ICU can return to Normal mode from Snooze mode using the interrupts provided for this mode.

To return to Normal mode from Snooze mode:

1. Use either of the following methods to select the event that you want to trigger a return to Normal mode from Snooze mode:

- a. Set the event that you want to trigger a return to Normal mode from Snooze mode in SELSR0.SEL and set the value 017h (ICU_SNZCANCEL) in IELSRn.IELS.
 - b. Set the event that you want to trigger a return to Normal mode from Snooze mode in IESLRn.IELS.
2. Select the CPU as the interrupt request destination.
 3. Enable the interrupt in the NVIC.

Note: In Snooze mode, a clock is supplied to ICU. If an event selected in IELSRn is detected, the CPU acknowledges the interrupt after returning to Normal mode from Software Standby mode. If an event selected in DELSRn is detected, the DMAC acknowledges the interrupt after returning to Normal mode from Software Standby mode.

13.7 Using the WFI instruction with Non-Maskable Interrupts

Whenever a WFI instruction is executed, confirm that all status flags in the NMISR register are 0.

13.8 Reference

ARM® Cortex®-M4 Processor Technical Reference Manual (ARM DDI 0439D).

14. Buses

14.1 Overview

Table 14.1 lists the bus specifications, Figure 14.1 shows the bus configuration, and Table 14.2 lists the addresses assigned for each bus.

Table 14.1 Bus specifications

| Bus Type | Description |
|-----------------|------------------------------------------------------------------------------------------------------------------------------------------------------------------------------------------------|
| Main bus | ICode bus (CPU) <ul style="list-style-type: none"> Connected to the CPU Connected to on-chip memory (code flash memory). |
| | DCode bus (CPU) <ul style="list-style-type: none"> Connected to the CPU Connected to on-chip memory (code flash memory). |
| | System bus (CPU) <ul style="list-style-type: none"> Connected to the CPU Connected to on-chip memory, internal peripheral bus. |
| | DMA bus <ul style="list-style-type: none"> Connected to the DMAC/DTC Connected to on-chip memory, internal peripheral bus. |
| Slave interface | Memory bus 1 <ul style="list-style-type: none"> Connected to code flash memory |
| | Memory bus 3 <ul style="list-style-type: none"> Connected to code flash memory by DMA bus |
| | Memory bus 4 <ul style="list-style-type: none"> Connected to SRAM0 |
| | Internal peripheral bus 1 <ul style="list-style-type: none"> Connected to system control related to peripheral modules |
| | Internal peripheral bus 3 <ul style="list-style-type: none"> Connected to peripheral modules (CAC, ELC, I/O Ports, POEG, RTC, WDT, IWDT, IIC, CAN, SSIE, ADC14, DAC12, and DOC) |
| | Internal peripheral bus 4 <ul style="list-style-type: none"> Connected to peripheral modules (SCI, SPI, CRC, and GPT) |
| | Internal peripheral bus 5 <ul style="list-style-type: none"> Connected to peripheral modules (KINT, AGT, USBFS, OPAMP, ACMPLP, DAC8, SLCDC, and CTSU) |
| | Internal peripheral bus 7 <ul style="list-style-type: none"> Connected to Secure IPs |
| | Internal peripheral bus 9 <ul style="list-style-type: none"> Connected to flash memory (in P/E)*1 and data flash memory |

Note 1. P/E = Programming/Erasure.

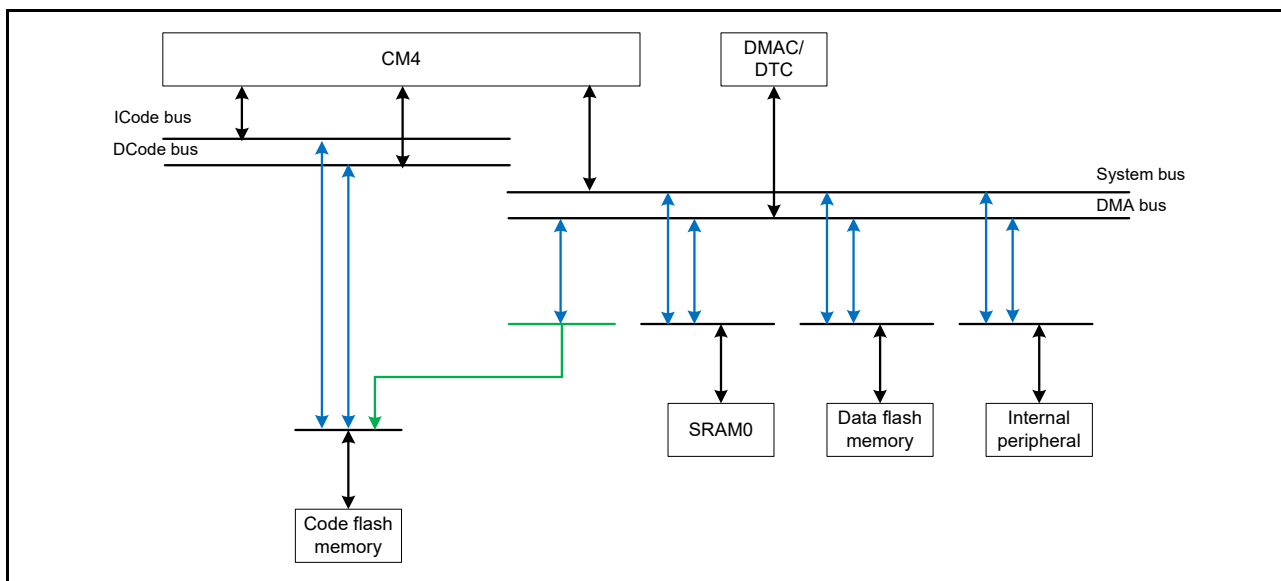


Figure 14.1 Bus configuration

Table 14.2 Addresses assigned for each bus

| Address | Bus | Area |
|--------------------------|---------------------------|-----------------------------------------------|
| 0000 0000h to 01FF FFFFh | Memory bus 1, 3 | Code flash memory |
| 2000 0000h to 2000 7FFFh | Memory bus 4 | SRAM0 |
| 4000 0000h to 4001 FFFFh | Internal peripheral bus 1 | Peripheral I/O registers |
| 4004 0000h to 4005 FFFFh | Internal peripheral bus 3 | |
| 4006 0000h to 4007 FFFFh | Internal peripheral bus 4 | |
| 4008 0000h to 4009 FFFFh | Internal peripheral bus 5 | |
| 400C 0000h to 400D FFFFh | Internal peripheral bus 7 | Secure IPs |
| 4010 0000h to 407F FFFFh | Internal peripheral bus 9 | Flash memory (in P/E)*1 and data flash memory |

Note 1. P/E = Programming/Erasure.

14.2 Description of Buses

14.2.1 Main Buses

The main buses for the CPU consist of the ICode bus, DCode bus, and system bus.

- The ICode bus and DCode bus are connected to the code flash memory. The ICode bus is used for instruction access by the CPU and the DCode bus is used for data access to the CPU.
- The system bus is connected to SRAM0, data flash memory, and the internal peripheral bus. The system bus is used for instruction and data accesses to the CPU.

The main bus for modules other than the CPU consists of the DMA bus. The DMA bus is connected to the code flash memory, SRAM0, data flash memory, and internal peripheral bus.

Different master and slave transfer combinations can proceed simultaneously. Arbitration between DMAC and DTC for the mastership of the DMA bus occurs in the DMAC and DTC. The following fixed-priority order is used:

DMAC0 > DMAC1 > DMAC2 > DMAC3 > DTC.

Only one DTC or DMAC channels that have accepted the activation requests can issue the bus mastership request. In addition, requests for bus access from masters other than the DTC are not accepted during reads of transfer control information for the DTC.

14.2.2 Slave Interface

Products using the Cortex[®]-M4 core contain ICode and DCode bus areas and a system bus area. To create the ICode and DCode bus areas, a bus matrix connects the ICode bus, DCode bus, and memory bus 3 from the main bus to the slave interface of the code flash memory. To create a system bus area, a bus matrix connects the system bus and DMA bus from the main bus to the slave interfaces of SRAM0, data flash memory, and the internal peripheral bus. For connections from the main bus to the slave interfaces, see the slave interfaces in [Table 14.1](#).

Arbitration between the ICode bus, DCode bus, and memory bus 3 occurs in the slave interface of the ICode and DCode bus areas. The arbitration method is selectable from fixed priority and round-robin. For more information, see [section 14.3.2](#).

Arbitration between the system bus and DMA bus occurs in the slave interface of the system bus area. The arbitration method is selectable from fixed priority and round-robin. For more information, see [section 14.3.2](#).

Different master and slave transfer combinations can proceed simultaneously.

14.2.3 Parallel Operation

Parallel operation is possible when different bus masters request access to different slave modules. For example, if the CPU fetches an instruction from the flash memory and an operand from the SRAM, the DMAC can access a peripheral bus at the same time.

[Figure 14.2](#) shows an example of parallel operations. In this example, the CPU uses the instruction and operand buses for

simultaneous access to the flash and SRAM, respectively. Additionally, the DMAC or DTC simultaneously use the DMA bus for access to a peripheral bus during access to the flash memory and SRAM by the CPU.

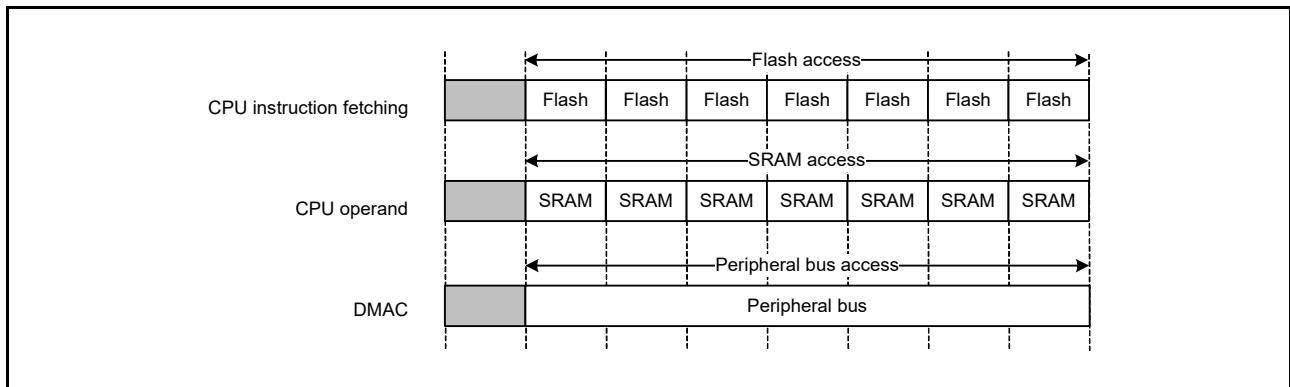


Figure 14.2 Example of parallel operations

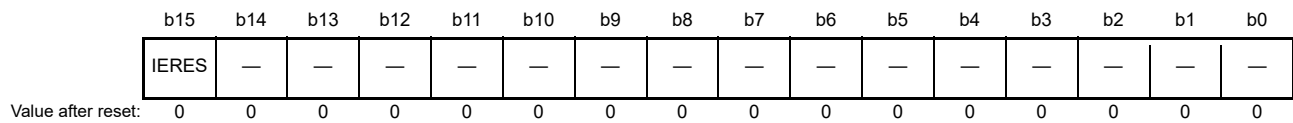
14.2.4 Restriction on Endianness

Memory space must be little-endian to execute code on the Cortex®-M4 core.

14.3 Register Descriptions

14.3.1 Master Bus Control Register (BUSMCNT<master>)

Address(es): [BUS.BUSMCNTM4I 4000 4000h](#), [BUS.BUSMCNTM4D 4000 4004h](#), [BUS.BUSMCNTSYS 4000 4008h](#), [BUS.BUSMCNTDMA 4000 400Ch](#)



| Bit | Symbol | Bit name | Description | R/W |
|-----------|--------------|------------------------|---------------------------------------------------------------|-----|
| b14 to b0 | — | Reserved | These bits are read as 0. The write value should be 0. | R/W |
| b15 | IERES | Ignore Error Responses | 0: A bus error is reported 1: A bus error is not reported. | R/W |

Note: Changing reserved bits from the initial value of 0 is prohibited. Operation during the change is not guaranteed.

IERES bit (Ignore Error Responses)

The IERES bit enables or disables the error response of the AHB-Lite protocol.

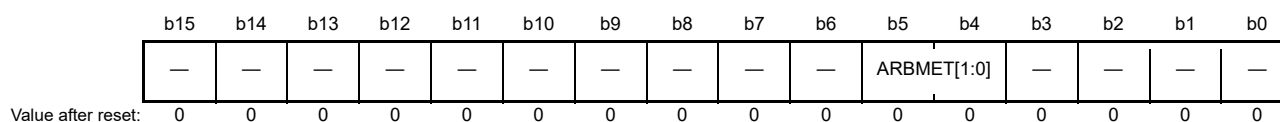
[Table 14.3](#) lists the registers associated with each bus type.

Table 14.3 Relation between bus type and registers

| Bus type | Master Bus Control Register | Slave Bus Control Register | Bus Error Address Register | Bus Error Status Register |
|---------------------------------------|-----------------------------|--------------------------------|----------------------------|---------------------------|
| ICode bus (CPU) | BUSMCNTM4I | - | BUS1ERRADD | BUS1ERRSTAT |
| DCode bus (CPU) | BUSMCNTM4D | - | BUS2ERRADD | BUS2ERRSTAT |
| System bus (CPU) | BUSMCNTSYS | - | BUS3ERRADD | BUS3ERRSTAT |
| DMA bus | BUSMCNTDMA | - | BUS4ERRADD | BUS4ERRSTAT |
| Memory bus 1 | - | BUSSCNTFLI | - | - |
| Memory bus 3 | - | BUSSCNTMBIU | - | - |
| Memory bus 4 | - | BUSSCNTRAM0 | - | - |
| Internal peripheral bus 1, 3, 4, 5, 7 | - | BUSSCNTPnB [n = 0, 2, 3, 4, 6] | - | - |
| Internal peripheral bus 9 | - | BUSSCNTFBU | - | - |

14.3.2 Slave Bus Control Register (BUSSCNT<slave>)

Address(es): [BUS.BUSSCNTFLI 4000 4100h](#), [BUS.BUSSCNTMBIU 4000 4108h](#), [BUS.BUSSCNTRAM0 4000 410Ch](#), [BUS.BUSSCNTP0B 4000 4114h](#), [BUS.BUSSCNTP2B 4000 4118h](#), [BUS.BUSSCNTP3B 4000 411Ch](#), [BUS.BUSSCNTP4B 4000 4120h](#), [BUS.BUSSCNTP6B 4000 4128h](#), [BUS.BUSSCNTFBU 4000 4130h](#)



| Bit | Symbol | Bit name | Description | R/W |
|-----------|-----------------------------|--------------------|-------------------------------------------------------------------------------------------------------------------------------------------------|-----|
| b3 to b0 | — | Reserved | These bits are read as 0. The write value should be 0. | R/W |
| b5, b4 | ARBMET[1:0] | Arbitration Method | Specify the priority between groups: b5 b4 0 0: Fixed priority 0 1: Round-robin 1 0: Setting prohibited 1 1: Setting prohibited. | R/W |
| b15 to b6 | — | Reserved | These bits are read as 0. The write value should be 0. | R/W |

Note: Changing a reserved bit from the initial value of 0 is prohibited. Operation during the change is not guaranteed.

[ARBMET\[1:0\] bits \(Arbitration Method\)](#)

The ARBMET[1:0] bits specify the arbitration method, with priority defined for all bus masters. For fixed priority, see [Table 14.4](#). For round-robin, see [Table 14.5](#). See [Table 14.3](#) for the registers associated with each bus type.

Table 14.4 Fixed priority (ARBMET[1:0] = 00b)

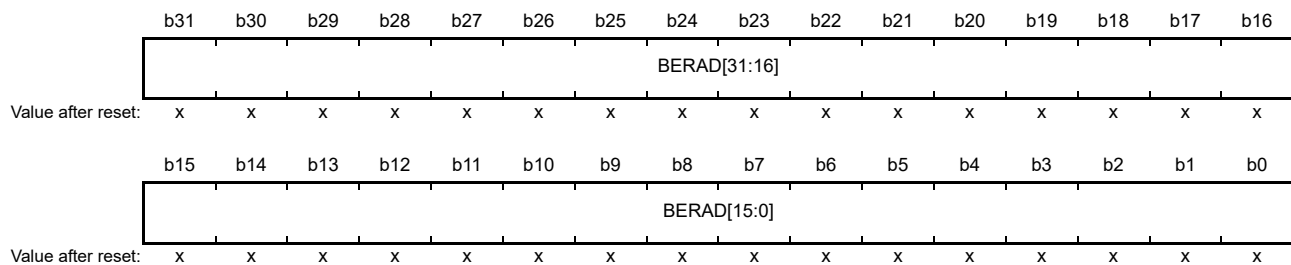
| Slave Bus Control Register | Slave interface | Priority order |
|--------------------------------|---------------------------------------|--------------------------------------------------|
| BUSSCNTFLI | Memory bus 1 | Memory bus 3 > DCode bus (CPU) > ICode bus (CPU) |
| BUSSCNTRAM0 | Memory bus 4 | DMA bus > system bus (CPU) |
| BUSSCNTPnB [n = 0, 2, 3, 4, 6] | Internal peripheral bus 1, 3, 4, 5, 7 | DMA bus > system bus (CPU) |
| BUSSCNTFBU | Internal peripheral bus 9 | DMA bus > system bus (CPU) |

Table 14.5 Round-robin priority (ARBMET[1:0] = 01b)

| Slave Bus Control Register | Slave interface | Priority “↔”: Round-Robin |
|--------------------------------|---------------------------------------|--------------------------------------------------|
| BUSSCNTFLI | Memory bus 1 | Memory bus 3 ↔ DCode bus (CPU) ↔ ICode bus (CPU) |
| BUSSCNTRAM0 | Memory bus 4 | DMA bus ↔ system bus (CPU) |
| BUSSCNTPNB [n = 0, 2, 3, 4, 6] | Internal peripheral bus 1, 3, 4, 5, 7 | DMA bus ↔ system bus (CPU) |
| BUSSCNTFBU | Internal peripheral bus 9 | DMA bus ↔ system bus (CPU) |

14.3.3 Bus Error Address Register (BUSnERRADD) (n = 1 to 4)

Address(es): [BUS.BUS1ERRADD 4000 4800h](#), [BUS.BUS2ERRADD 4000 4810h](#), [BUS.BUS3ERRADD 4000 4820h](#), [BUS.BUS4ERRADD 4000 4830h](#)



x: Undefined

| Bit | Symbol | Bit name | Description | R/W |
|-----------|-------------|-------------------|-------------------------------------------------------------|-----|
| b31 to b0 | BERAD[31:0] | Bus Error Address | When a bus error occurs, these bits store the error address | R |

Note: This register is only cleared by resets other than MPU related resets. For more information, see [section 5, Resets](#) and [section 15, Memory Protection Unit \(MPU\)](#).

[Table 14.3](#) lists the registers associated with each bus type.

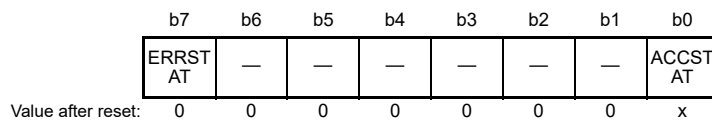
BERAD[31:0] bits (Bus Error Address)

The BERAD[31:0] bits store the accessed address when a bus error occurs. For more information, see [BUSnERRSTAT.ERRSTAT](#) and [section 14.4, Bus Error Monitoring Section](#).

The value of the [BUSnERRADD.BERAD\[31:0\]](#) bits (n = 1 to 4) is valid only when [BUSnERRSTAT.ERRSTAT](#) bit (n = 1 to 4) is set to 1.

14.3.4 Bus Error Status Register (BUSnERRSTAT) (n = 1 to 4)

Address(es): [BUS.BUS1ERRSTAT 4000 4804h](#), [BUS.BUS2ERRSTAT 4000 4814h](#), [BUS.BUS3ERRSTAT 4000 4824h](#), [BUS.BUS4ERRSTAT 4000 4834h](#)



x: Undefined

| Bit | Symbol | Bit name | Description | R/W |
|----------|---------|---------------------|------------------------------------------------------------------------------|-----|
| b0 | ACCSTAT | Error Access Status | Access status when the error occurred: 1: Write access 0: Read access. | R |
| b6 to b1 | — | Reserved | These bits are read as 0 | R |

| Bit | Symbol | Bit name | Description | R/W |
|-----|---------|------------------|----------------------------------------------------|-----|
| b7 | ERRSTAT | Bus Error Status | 0: No bus error occurred 1: Bus error occurred. | R |

Note: This register is only cleared by resets other than MPU-related resets. For more information, see [section 5, Resets](#) and [section 15, Memory Protection Unit \(MPU\)](#).

[Table 14.3](#) lists the registers associated with each bus type.

ACCSTAT bit (Error Access Status)

The ACCSTAT bit indicates the access status, write or read access, when an error occurs on the associated bus. For more information, see the BUSnERRSTAT.ERRSTAT bit and [section 14.4, Bus Error Monitoring Section](#).

The value is valid only when the BUSnERRSTAT.ERRSTAT bit (n = 1 to 4) is set to 1.

ERRSTAT bit (Bus Error Status)

The ERRSTAT bit indicates whether a bus error occurred. When an error occurs on the associated bus, the access address and status of the write or read access are stored. The BUSnERRSTAT.ERRSTAT bit (n = 1 to 4) is set to 1.

Four types of errors can occur on each bus:

- Illegal address access
- Bus master MPU error
- Bus slave MPU error
- Time out.

When detecting bus master MPU errors or bus slave MPU errors, and reset is selected in the respective OAD bit, BUSnERRSTAT.ERRSTAT (n = 1 to 4) is not set to 1 if the bus access causing the MPU error completes later than the internal reset signal being generated, which can occur depending on the wait setting.

When detecting bus master MPU errors or bus slave MPU errors, and the non-maskable interrupt is selected in the respective OAD bit, BUSnERRSTAT.ERRSTAT (n = 1 to 4) is set to 1 after the bus access causing the MPU error completes.

For more information on errors that occur on each bus, see [section 14.4, Bus Error Monitoring Section](#), and [section 15, Memory Protection Unit \(MPU\)](#).

14.4 Bus Error Monitoring Section

The monitoring system monitors each individual area, and whenever it detects an error, it returns the error to the requesting master IP using the AHB-Lite error response protocol.

14.4.1 Error Type that Occurs by Bus

Four types of errors can occur on each bus:

- Illegal address access
- Bus master MPU error
- Bus slave MPU error
- Timeout.

[Table 14.6](#) lists the address ranges where access leads to illegal address access errors. However, the reserved area in the slave does not trigger an illegal address access error. For more information on bus master MPU and bus slave MPU, see [section 15, Memory Protection Unit \(MPU\)](#).

14.4.2 Operation when a Bus Error Occurs

When a bus error occurs, operation is not guaranteed and the error is returned to the requesting master IP. The bus errors that occur for each master are stored in the BUSnERRADD and BUSnERRSTAT registers. These registers must be cleared by reset only. For more information, see sections [14.3.3](#) and [14.3.4](#).

Note: The DMAC and DTC do not receive bus errors. If the DMAC or DTC accesses the bus, the transfer continues.

14.4.3 Conditions Leading to Illegal Address Access Errors

Table 14.6 lists the address spaces that trigger illegal address access errors for each bus.

Table 14.6 Conditions leading to illegal address access errors

| Address | Slave bus name | Master bus | |
|--------------------------|------------------------------|--------------------------|-----|
| | | CPU (Icode/Dcode/System) | DMA |
| 0000 0000h to 01FF FFFFh | Memory bus 1 Memory bus 3 | - | - |
| 0200 0000h to 1FFF FFFFh | Reserved | E | E |
| 2000 0000h to 2000 7FFFh | Memory bus 4 | - | - |
| 2000 8000h to 3FFF FFFFh | Reserved | E | E |
| 4000 0000h to 4001 FFFFh | Peripheral bus 1 | - | - |
| 4002 0000h to 4003 FFFFh | Reserved | E | E |
| 4004 0000h to 4005 FFFFh | Peripheral bus 3 | - | - |
| 4006 0000h to 4007 FFFFh | Peripheral bus 4 | - | - |
| 4008 0000h to 4009 FFFFh | Peripheral bus 5 | - | - |
| 400A 0000h to 400B FFFFh | Reserved | - | - |
| 400C 0000h to 400D FFFFh | Peripheral bus 7 | - | - |
| 400E 0000h to 400F FFFFh | Reserved | E | E |
| 4010 0000h to 407F FFFFh | Peripheral bus 9 | - | - |
| 4080 0000h to DFFF FFFFh | Reserved | E | E |
| E000 0000h to FFFF FFFFh | System for Cortex-M4 | - | E |

E indicates the path where an illegal address access error occurs.

"-" indicates the path where an illegal address access error does not occur or path that access does not occur.

Note: The bus module detects an access error resulting from access to a reserved area, such as in the case when no area is assigned to the slave.

0200 0000h to 1FFF FFFFh: access error detection.

0000 0000h to 01FF FFFFh: memory bus 1 no access error detection.

14.4.4 Timeout

For some peripheral modules, a timeout error occurs with the module-stop function. When there is no response from the slave for a certain period of time, a timeout error is detected. A timeout error is returned to the requesting master IP using the AHB-Lite error response protocol.

14.5 Notes on using Flash Cache

When using flash cache through access from the CPU, Arm[®] MPU should also be set to cacheable. See references 1. and 2. for more information.

14.6 References

1. *ARM[®]v7-M Architecture Reference Manual* (ARM DDI 0403D).
2. *ARM[®] Cortex-M4 Devices Generic User Guide* (ARM DUI 0553A).
3. *ARM[®] AMBA[®] 3 AHB-Lite Protocol v1.0 Specification* (ARM IHI 0033A).

15. Memory Protection Unit (MPU)

15.1 Overview

The MCU provides four Memory Protection Units (MPUs) and a CPU stack pointer monitor function. [Table 15.1](#) lists the supported MPU specifications, and [Table 15.2](#) shows the behavior on detection of each MPU error.

Table 15.1 MPU specifications

| Classification | Module/Function | Description |
|-----------------------|---------------------------|----------------------------------------------------------------------------------------------------------------------------------------------------------------------------------------------------------|
| Illegal memory access | Arm® Cortex®-M4 CPU | <ul style="list-style-type: none"> Arm CPU has a default memory map. If the CPU makes an illegal access, an exception interrupt occurs The MPU can change a default memory map. |
| | CPU stack pointer monitor | 2 regions: <ul style="list-style-type: none"> Main Stack Pointer (MSP) Process Stack Pointer (PSP). |
| Memory protection | Arm MPU | Memory protection function for the CPU: <ul style="list-style-type: none"> 8 MPU regions with sub regions and background region. |
| | Bus master MPU | Memory protection function for each bus master except for the CPU: <ul style="list-style-type: none"> Bus master MPU group A: 16 regions. |
| | Bus slave MPU | Memory protection function for each bus slave |
| Security | Security MPU | Protect accesses from non-secure programs to the following secure regions: <ul style="list-style-type: none"> 2 regions (PC) 4 regions (code flash, SRAM, two secure functions). |

Table 15.2 Behavior on MPU error detection

| MPU type | Notification type | Bus access on error detection | Storing of error access information |
|---------------------------|-------------------------------------------------------------------------------------------------------|----------------------------------------------------------------------------------------------------------------------------------------|-------------------------------------|
| CPU stack pointer monitor | Reset or non-maskable interrupt | Don't care | Not stored |
| Arm MPU | Hard fault | <ul style="list-style-type: none"> Does not correctly have write access Does not correctly have read access. | Stored in the Cortex-M4 processor |
| Bus master MPU | Reset or non-maskable interrupt | <ul style="list-style-type: none"> Write access to the protection region Read access to the protection region. | Stored |
| Bus slave MPU | <ul style="list-style-type: none"> Reset or non-maskable interrupt Hard fault | <ul style="list-style-type: none"> Write access ignored Read access read as 0. | Stored |
| Security MPU | Not notified | <ul style="list-style-type: none"> Does not correctly have write access Does not correctly have read access. | Not stored |

For information on error access for the Arm MPU, see [section 15.7](#). For information on error access for other MPUs, see [section 14.3.3, Bus Error Address Register \(BUSnERRADD\) \(n = 1 to 4\)](#) and [section 14.3.4, Bus Error Status Register \(BUSnERRSTAT\) \(n = 1 to 4\)](#) in [section 14, Buses](#).

15.2 CPU Stack Pointer Monitor

The CPU stack pointer monitor detects underflows and overflows of the stack pointer. Because the Arm CPU has two stack pointers, a Main Stack Pointer (MSP) and a Process Stack Pointer (PSP), it supports two CPU stack pointer monitors. If a stack pointer underflow or overflow is detected, the CPU stack pointer monitor generates a reset or a non-maskable interrupt. The CPU stack pointer monitor is enabled by setting the Stack Pointer Monitor Enable bit in the Stack Pointer Monitor Access Control Register (MSPMPUCTL, PSPMPUCTL) to 1.

[Table 15.3](#) lists the specifications of the CPU stack pointer monitor. [Figure 15.1](#) shows the CPU stack pointer monitor block diagram, and [Figure 15.2](#) shows the register setting flow.

Table 15.3 CPU stack pointer monitor specifications (1 of 2)

| Item | Description |
|-------------|-------------------------------------------|
| SRAM region | Region to be covered by memory protection |

Table 15.3 CPU stack pointer monitor specifications (2 of 2)

| Item | Description |
|------------------------------------------------------------------------|------------------------------------------------------------------------------------------------------------------------------|
| Number of regions | 2 regions: <ul style="list-style-type: none">• Main Stack Pointer (MSP)• Process Stack Pointer (PSP). |
| Address specification for individual regions | Region start and end addresses configurable |
| Stack pointer monitor enable or disable setting for individual regions | Stack pointer monitor for individual regions can be enabled or disabled |
| Operation on error detection | Reset or non-maskable interrupts can be generated |
| Register protection | Registers can be protected from illegal writes |

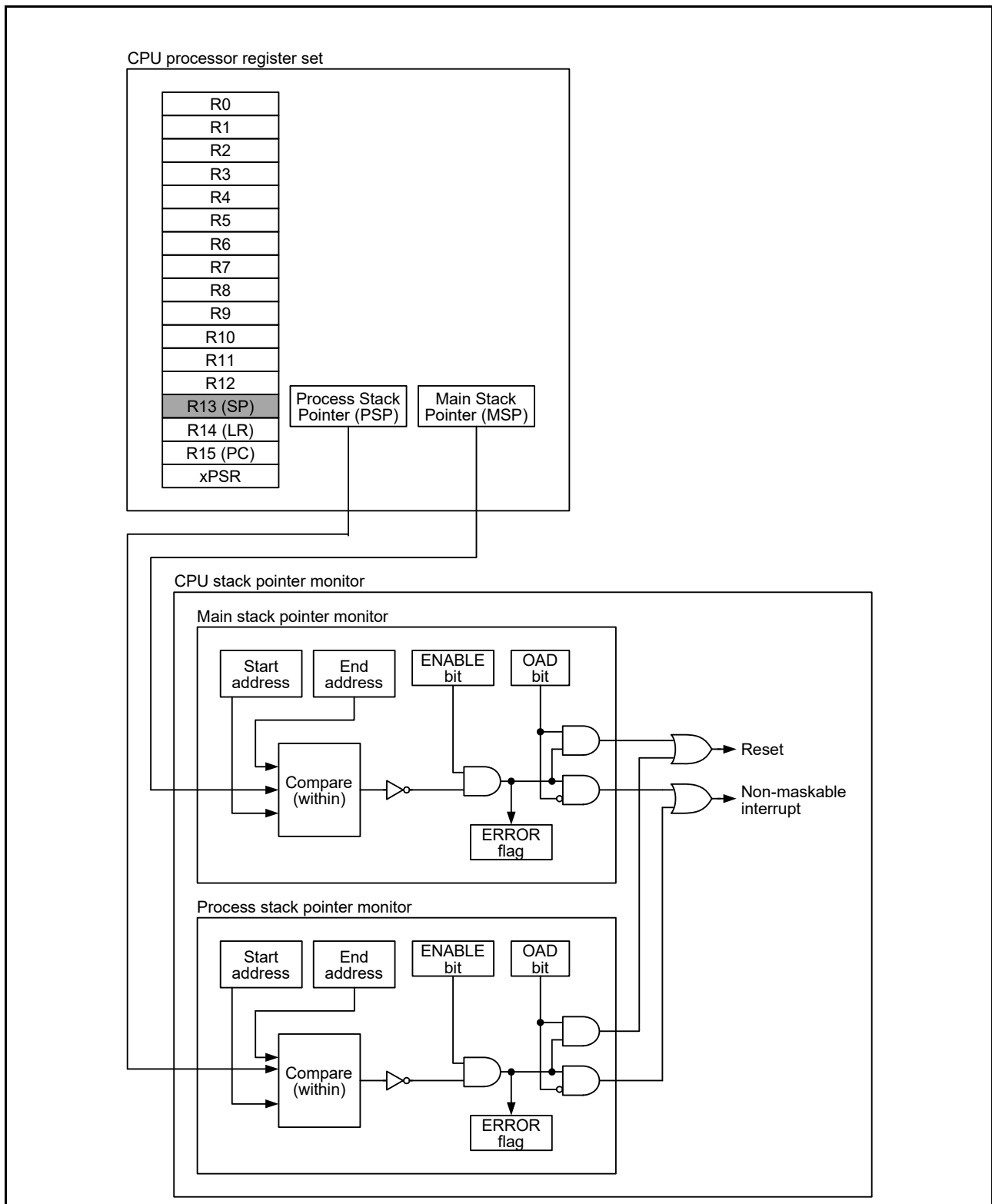


Figure 15.1 CPU stack pointer monitor block diagram

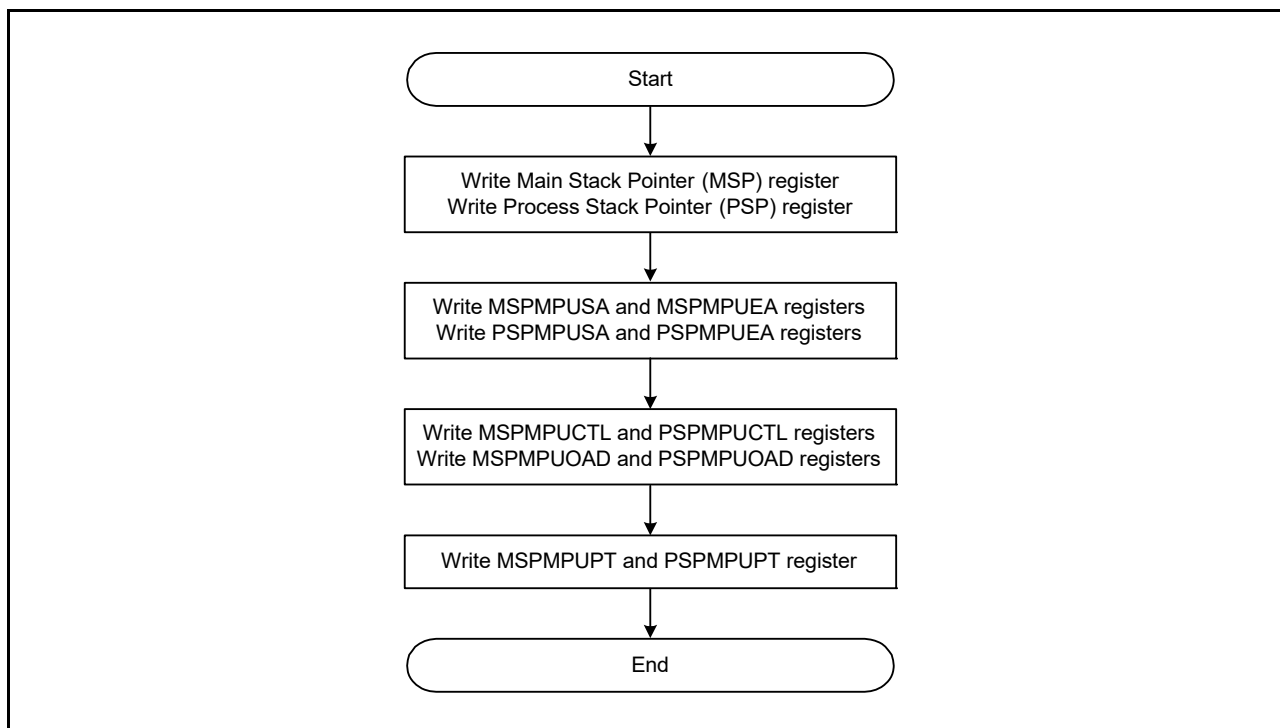


Figure 15.2 Register setting flow

15.2.1 Protection of Registers

Registers related to the CPU stack pointer monitor can be protected with the PROTECT bit.

15.2.2 Overflow/Underflow Error

If overflow or underflow is detected, the CPU stack pointer monitor generates an overflow or underflow error. The memory protection error is selectable to a non-maskable interrupt or reset in the OAD bit setting.

The non-maskable interrupt status is indicated in ICU.NMISR.SPEST. For details, see [section 13, Interrupt Controller Unit \(ICU\)](#). The reset status is indicated in SYSTEM.RSTSR1.SPERF. For details, see [section 5, Resets](#).

When ICU.NMISR.SPEST indicates that a CPU stack pointer monitor interrupt occurred, check the ERROR bits in the MSPMPUCTL and PSPMPUCTL registers to determine whether it is a main stack pointer monitor error or a process stack pointer monitor error.

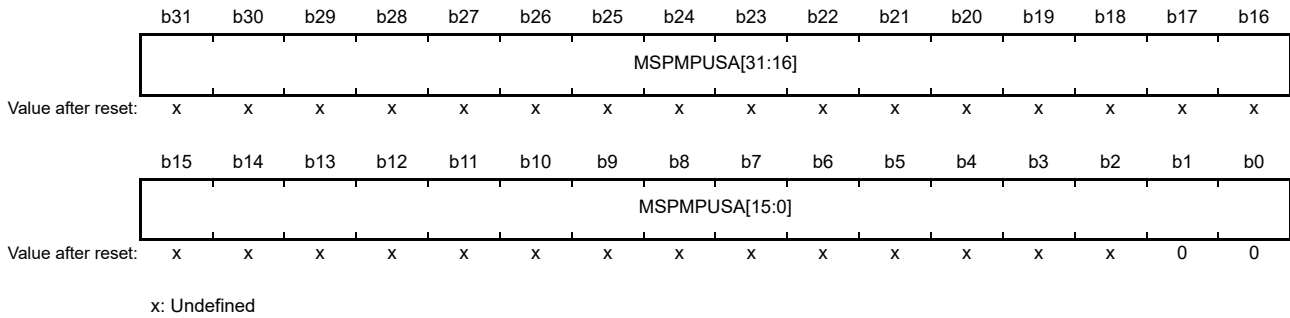
A non-maskable interrupt is generated continuously while the stack pointer is overflow or underflow. To clear the non-maskable interrupt flag, set the stack pointer within the specified region and then clear the non-maskable interrupt flag by setting the ICU.NMICLR.SPECLR bit to 1. Then, write 0 to the ERROR bits in the MSPMPUCTL and PSPMPUCTL registers.

15.2.3 Register Descriptions

Note: Bus access must be stopped before writing to the MPU registers.

15.2.3.1 Main Stack Pointer (MSP) Monitor Start Address Register (MSPMPUSA)

Address(es): `SPMON.MSPMPUSA 4000 0D08h`

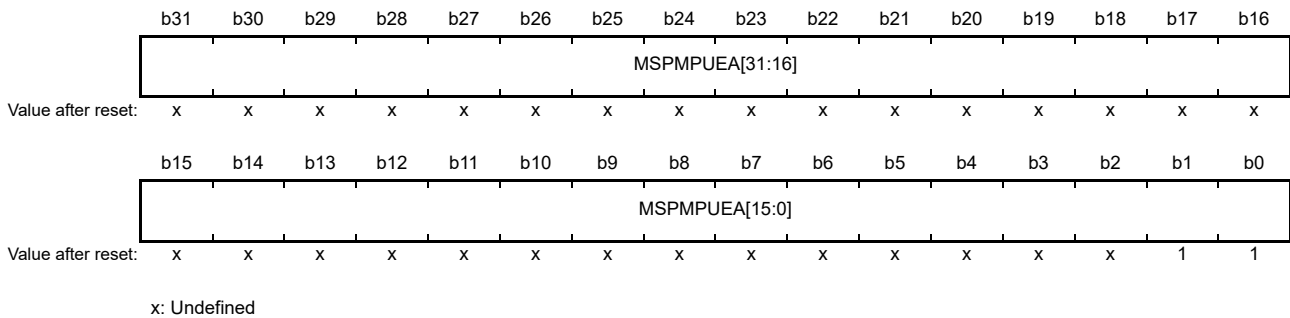


| Bit | Symbol | Bit name | Description | R/W |
|-----------|----------------|----------------------|-----------------------------------------------------------------------------------------------------------------------------------------------------------------------------|-----|
| b31 to b0 | MSPMPUSA[31:0] | Region Start Address | Address where the region starts, for use in region determination. The lower 2 bits should be 0. The value range is from 2000 0000h to 200F FFFCh, excluding reserved areas. | R/W |

The `MSPMPUSA` and `MSPMPUEA` registers specify the CPU stack region in the SRAM (2000 0000h to 200F FFFFh, not including the reserved areas). For the SRAM area to be covered, see [Figure 4.1 Memory map](#).

15.2.3.2 Main Stack Pointer (MSP) Monitor End Address Register (MSPMPUEA)

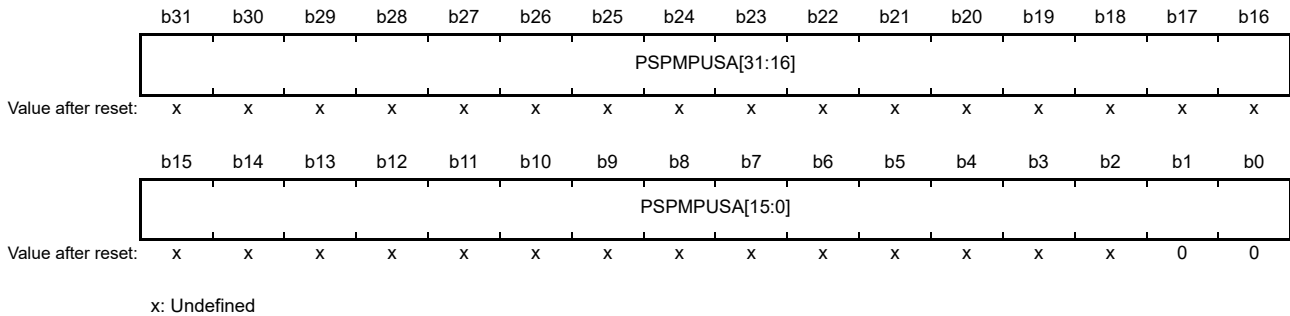
Address(es): `SPMON.MSPMPUEA 4000 0D0Ch`



| Bit | Symbol | Bit name | Description | R/W |
|-----------|----------------|--------------------|-------------------------------------------------------------------------------------------------------------------------------------------------------------------------------|-----|
| b31 to b0 | MSPMPUEA[31:0] | Region End Address | Address where the region ends, for use in region determination. The lower 2 bits should be 1. The value range is from 2000 0003h to 200F FFFFh, excluding the reserved areas. | R/W |

15.2.3.3 Process Stack Pointer (PSP) Monitor Start Address Register (PSPMPUSA)

Address(es): SPMON.PSPMPUSA 4000 0D18h

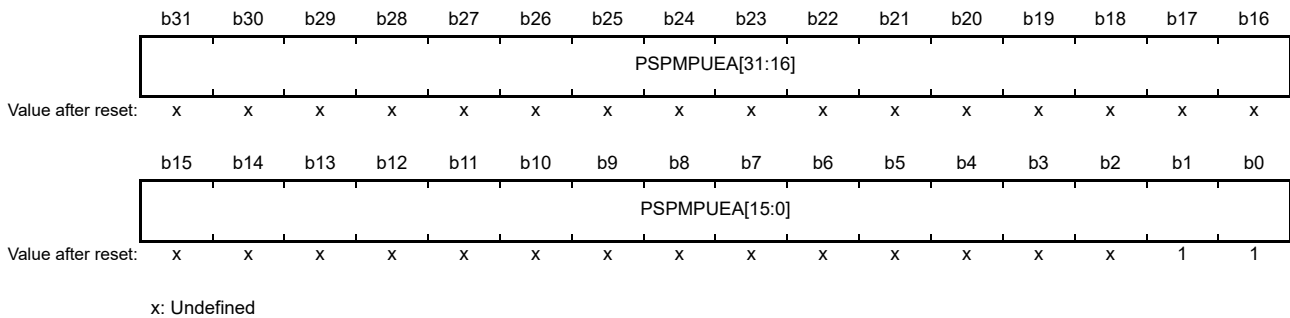


| Bit | Symbol | Bit name | Description | R/W |
|-----------|----------------|----------------------|---------------------------------------------------------------------------------------------------------------------------------------------------------------------------------|-----|
| b31 to b0 | PSPMPUSA[31:0] | Region Start Address | Address where the region starts, for use in region determination. The lower 2 bits should be 0. The value range is from 2000 0000h to 200F FFFCh, excluding the reserved areas. | R/W |

The PSPMPUSA and PSPMPUEA registers specify the CPU stack region in the SRAM (2000 0000h to 200F FFFFh, excluding reserved areas). For the SRAM area to be covered, see Figure 4.1 Memory map.

15.2.3.4 Process Stack Pointer (PSP) Monitor End Address Register (PSPMPUEA)

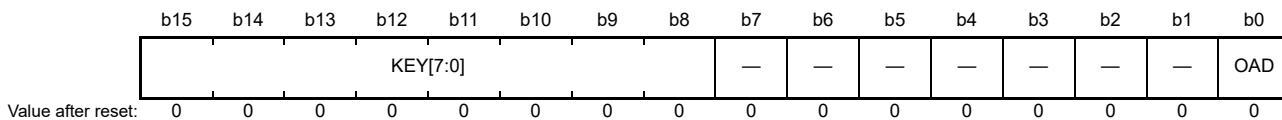
Address(es): SPMON.PSPMPUEA 4000 0D1Ch



| Bit | Symbol | Bit name | Description | R/W |
|-----------|----------------|--------------------|-------------------------------------------------------------------------------------------------------------------------------------------------------------------------------|-----|
| b31 to b0 | PSPMPUEA[31:0] | Region End Address | Address where the region ends, for use in region determination. The lower 2 bits should be 1. The value range is from 2000 0003h to 200F FFFFh, excluding the reserved areas. | R/W |

15.2.3.5 Stack Pointer Monitor Operation After Detection Register (MSPMPUOAD, PSPMPUOAD)

Address(es): SPMON.MSPMPUOAD 4000 0D00h, SPMON.PSPMPUOAD 4000 0D10h



| Bit | Symbol | Bit name | Description | R/W |
|-----------|----------|---------------------------|--------------------------------------------------------|---------|
| b0 | OAD | Operation after Detection | 0: Non-maskable interrupt 1: Reset. | R/W |
| b7 to b1 | — | Reserved | These bits are read as 0. The write value should be 0. | R/W |
| b15 to b8 | KEY[7:0] | Key Code | These bits enable or disable writes to the OAD bit | R/(W)*1 |

Note 1. Write data is not saved.

OAD bit (Operation after Detection)

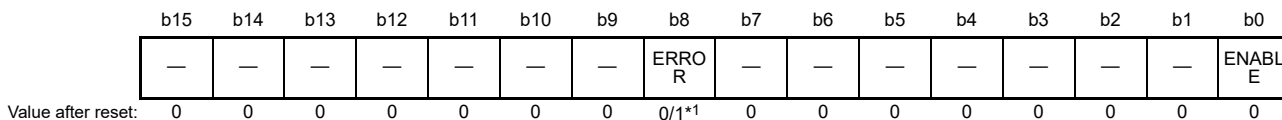
The OAD bit selects either a reset or a non-maskable interrupt to occur when a stack pointer underflow or overflow is detected by the CPU stack pointer monitor. The main stack pointer monitor and the process stack pointer monitor each use an OAD bit to determine which signal is generated when a stack pointer underflow or overflow is detected. When writing to the OAD bit, write A5h simultaneously to the KEY[7:0] bits using halfword access.

KEY[7:0] bits (Key Code)

The KEY[7:0] bits enable or disable writes to the OAD bit. When writing to the OAD bit, write A5h simultaneously to the KEY[7:0] bits. When values other than A5h are written to the KEY[7:0] bits, the OAD bit is not updated. The KEY[7:0] bits are always read as 00h.

15.2.3.6 Stack Pointer Monitor Access Control Register (MSPMPUCTL, PSPMPUCTL)

Address(es): SPMON.MSPMPUCTL 4000 0D04h, SPMON.PSPMPUCTL 4000 0D14h



| Bit | Symbol | Bit name | Description | R/W |
|-----------|--------|----------------------------------|-------------------------------------------------------------------------------------------------------|-----|
| b0 | ENABLE | Stack Pointer Monitor Enable | 0: Stack pointer monitor disabled 1: Stack pointer monitor enabled. | R/W |
| b7 to b1 | — | Reserved | These bits are read as 0. The write value should be 0. | R/W |
| b8 | ERROR | Stack Pointer Monitor Error Flag | 0: Stack pointer has not overflowed or underflowed 1: Stack pointer has overflowed or underflowed. | R/W |
| b15 to b9 | — | Reserved | These bits are read as 0. The write value should be 0. | R/W |

Note 1. The initial value depends on the reset generation source.

ENABLE bit (Stack Pointer Monitor Enable)

The ENABLE bit enables or disables the stack pointer monitor function, independently set for the main stack pointer monitor and the process stack pointer monitor.

When the MSPMPUCTL.ENABLE bit is set to 1, the following registers are available:

- MSPMPUSA

- MSPMPUEA
- MSPMPUOAD.

When the PSPMPUCTL.ENABLE bit is set to 1, the following registers are available:

- PSPMPUSA
- PSPMPUEA
- PSPMPUOAD.

ERROR bit (Stack Pointer Monitor Error Flag)

The ERROR bit indicates the status of the stack pointer monitor. Each stack pointer monitor has an independent ERROR bit.

[Setting condition]

- Overflow or underflow of the stack pointer.

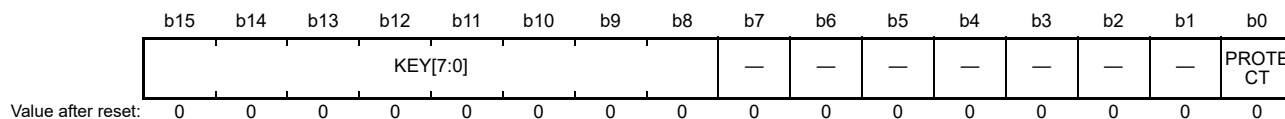
[Clearing conditions]

- 0 is written to this bit
- A reset other than the bus master MPU error reset, bus slave MPU error reset, and stack pointer error reset.

Note: Only 0 can be written to the ERROR bit.

15.2.3.7 Stack Pointer Monitor Protection Register (MSPMPUPT, PSPMPUPT)

Address(es): SPMON.MSPMPUPT 4000 0D06h, SPMON.PSPMPUPT 4000 0D16h



| Bit | Symbol | Bit name | Description | R/W |
|-----------|----------|------------------------|----------------------------------------------------------------------------------------------------------------------------------------|---------|
| b0 | PROTECT | Protection of Register | 0: Stack pointer monitor register writes are permitted 1: Stack pointer monitor register writes are protected. Reads are permitted. | R/W |
| b7 to b1 | — | Reserved | These bits are read as 0. The write value should be 0. | R/W |
| b15 to b8 | KEY[7:0] | Key Code | These bits enable or disable writes to the PROTECT bit | R/(W)*1 |

Note 1. Write data is not saved.

PROTECT bit (Protection of Register)

The PROTECT bit enables or disables writes to the associated registers to be protected, independently set for the main stack pointer monitor and the process stack pointer monitor.

MSPMPUPT.PROTECT controls the following main stack pointer protection registers:

- MSPMPUCTL
- MSPMPUSA
- MSPMPUEA.

PSPMPUPT.PROTECT controls the following process stack pointer protection registers:

- PSPMPUCTL
- PSPMPUSA
- PSPMPUEA.

When writing to the PROTECT bit, simultaneously write A5h to the KEY[7:0] bits, using halfword access.

KEY[7:0] bits (Key Code)

The KEY[7:0] bits enable or disable writes to the PROTECT bit.

When writing to the PROTECT bit, simultaneously write A5h to the KEY[7:0] bits. When values other than A5h are written to the KEY[7:0] bits, the PROTECT bit is not updated. The KEY[7:0] bits are always read as 0.

15.3 Arm MPU

The Arm MPU has eight region memory protection units and provides full support for:

- Protected regions
- Overlapping protected regions, with ascending priority:
7 = highest priority
0 = lowest priority.
- Access permissions
- Exporting memory attributes to the system.

Arm MPU mismatches and permission violations invoke the programmable-priority MemManage fault (HardFault) handler. For details, see 2. in [section 15.7, References](#).

15.4 Bus Master MPU

The bus master MPU monitors the addresses accessed by the bus masters in the entire address space (0000 0000h to FFFF FFFFh). The access control information, consisting of read and write permissions, can be independently set for up to 16 regions. If access to a protected region is detected, the bus master MPU generates an internal reset or a non-maskable interrupt. For details on error access, see [14.3.3](#) and [14.3.4](#) in [section 14, Buses](#).

[Table 15.4](#) lists the specifications of the bus master MPU, and [Figure 15.3](#) shows a block diagram.

Table 15.4 Bus master MPU specifications

| Specifications | Description |
|-----------------------------------------------------------------------|--------------------------------------------------------|
| Protected master groups | Bus master MPU group A: DMA bus |
| Protected region | 0000 0000h to FFFF FFFFh |
| Number of regions | Bus master MPU group A: 16 regions |
| Address specification for individual regions | Region start and end addresses configurable |
| Enable or disable setting for memory protection in individual regions | Settings enabled or disabled for the associated region |
| Access-control settings for individual regions | Permission to read and to write |
| Operation on error detection | Reset or non-maskable interrupts |
| Register protection | Register can be protected from illegal writes |

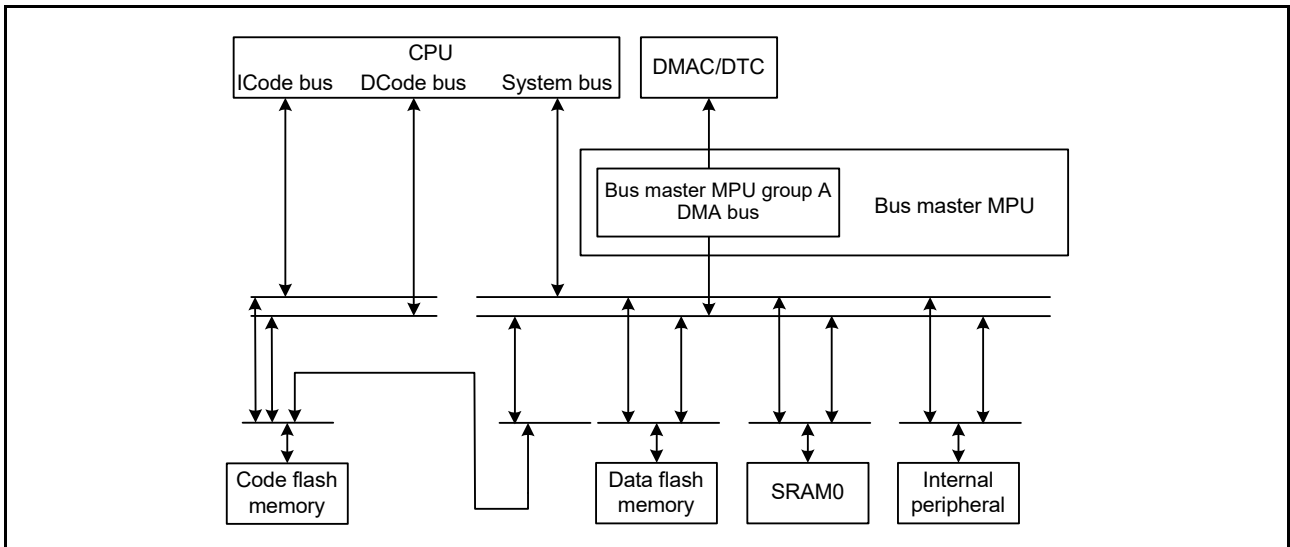


Figure 15.3 MPU bus master diagram

Figure 15.4 shows the MPU bus master group A.

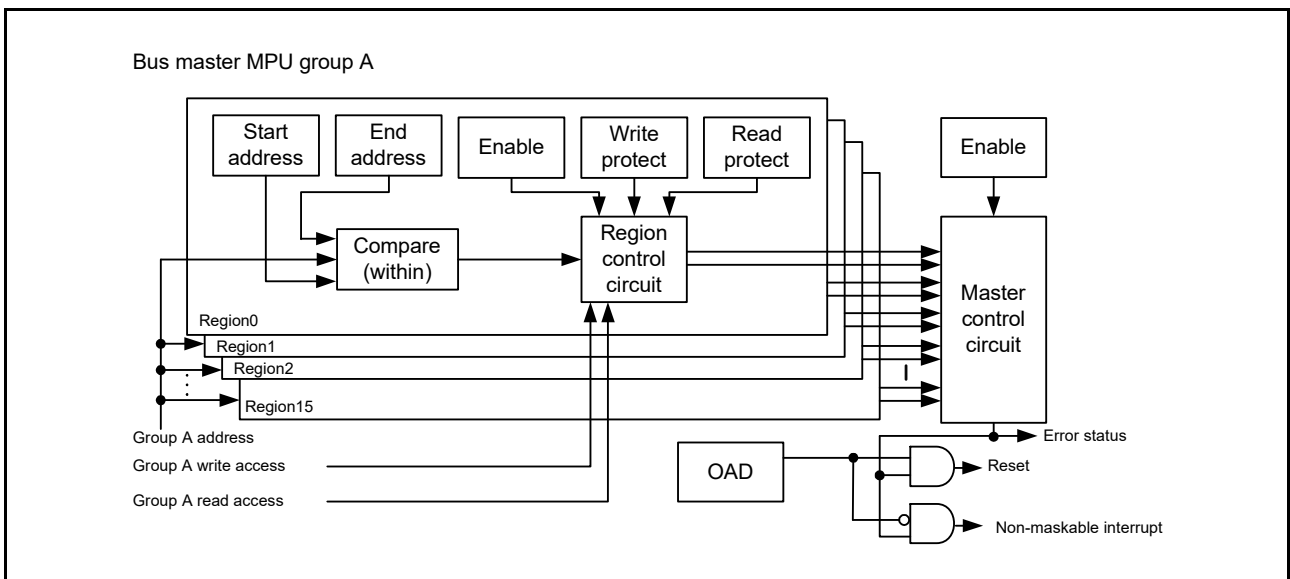


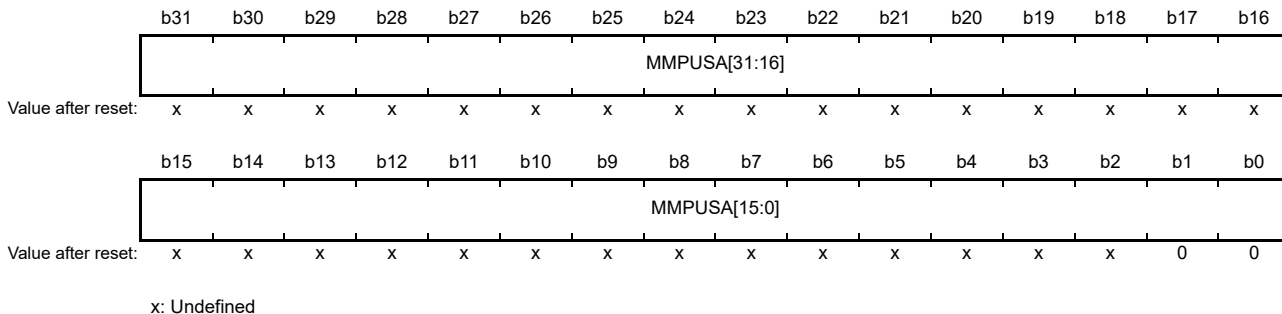
Figure 15.4 MPU bus master group A

15.4.1 Register Descriptions

Note: Bus access must be stopped before writing to MPU registers.

15.4.1.1 Group A Region n Start Address Register (MMPUSAn) (n = 0 to 15)

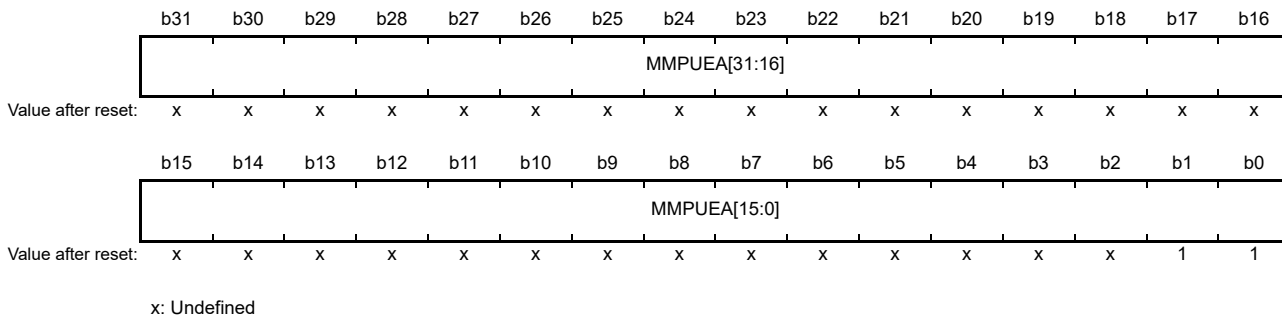
Address(es): MMPU.MMPUSA0 4000 0204h, MMPU.MMPUSA1 4000 0214h, MMPU.MMPUSA2 4000 0224h, MMPU.MMPUSA3 4000 0234h, MMPU.MMPUSA4 4000 0244h, MMPU.MMPUSA5 4000 0254h, MMPU.MMPUSA6 4000 0264h, MMPU.MMPUSA7 4000 0274h, MMPU.MMPUSA8 4000 0284h, MMPU.MMPUSA9 4000 0294h, MMPU.MMPUSA10 4000 02A4h, MMPU.MMPUSA11 4000 02B4h, MMPU.MMPUSA12 4000 02C4h, MMPU.MMPUSA13 4000 02D4h, MMPU.MMPUSA14 4000 02E4h, MMPU.MMPUSA15 4000 02F4h



| Bit | Symbol | Bit Name | Description | R/W |
|-----------|--------------|----------------------|-------------------------------------------------------------------------------------------------|-----|
| b31 to b0 | MMPUSA[31:0] | Region Start Address | Address where the region starts, for use in region determination. The lower 2 bits should be 0. | R/W |

15.4.1.2 Group A Region n End Address Register (MMPUEAn) (n = 0 to 15)

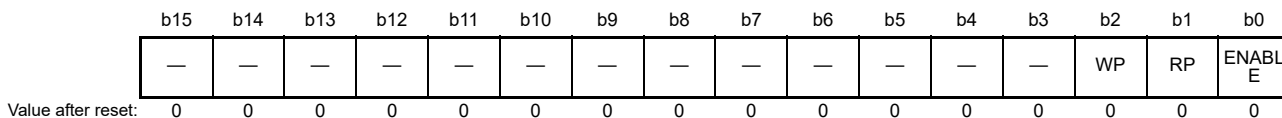
Address(es): MMPU.MMPUEA0 4000 0208h, MMPU.MMPUEA1 4000 0218h, MMPU.MMPUEA2 4000 0228h, MMPU.MMPUEA3 4000 0238h, MMPU.MMPUEA4 4000 0248h, MMPU.MMPUEA5 4000 0258h, MMPU.MMPUEA6 4000 0268h, MMPU.MMPUEA7 4000 0278h, MMPU.MMPUEA8 4000 0288h, MMPU.MMPUEA9 4000 0298h, MMPU.MMPUEA10 4000 02A8h, MMPU.MMPUEA11 4000 02B8h, MMPU.MMPUEA12 4000 02C8h, MMPU.MMPUEA13 4000 02D8h, MMPU.MMPUEA14 4000 02E8h, MMPU.MMPUEA15 4000 02F8h



| Bit | Symbol | Bit name | Description | R/W |
|-----------|--------------|--------------------|-----------------------------------------------------------------------------------------------|-----|
| b31 to b0 | MMPUEA[31:0] | Region End Address | Address where the region ends, for use in region determination. The lower 2 bits should be 1. | R/W |

15.4.1.3 Group A Region n Access Control Register (MMPUACAn) (n = 0 to 15)

Address(es): MMPU.MMPUACA0 4000 0200h, MMPU.MMPUACA1 4000 0210h, MMPU.MMPUACA2 4000 0220h, MMPU.MMPUACA3 4000 0230h, MMPU.MMPUACA4 4000 0240h, MMPU.MMPUACA5 4000 0250h, MMPU.MMPUACA6 4000 0260h, MMPU.MMPUACA7 4000 0270h, MMPU.MMPUACA8 4000 0280h, MMPU.MMPUACA9 4000 0290h, MMPU.MMPUACA10 4000 02A0h, MMPU.MMPUACA11 4000 02B0h, MMPU.MMPUACA12 4000 02C0h, MMPU.MMPUACA13 4000 02D0h, MMPU.MMPUACA14 4000 02E0h, MMPU.MMPUACA15 4000 02F0h



| Bit | Symbol | Bit name | Description | R/W |
|-----|--------|---------------|------------------------------------------------------------------------|-----|
| b0 | ENABLE | Region Enable | 0: Group A region n unit disabled 1: Group A region n unit enabled. | R/W |

| Bit | Symbol | Bit name | Description | R/W |
|-----------|--------|------------------|---------------------------------------------------------|-----|
| b1 | RP | Read Protection | 0: Read access permitted 1: Read access protected. | R/W |
| b2 | WP | Write Protection | 0: Write access permitted 1: Write access permitted. | R/W |
| b15 to b3 | — | Reserved | These bits are read as 0. The write value should be 0. | R/W |

The ENABLE, RP, and WP bits are individually configurable for each group A region n unit.

ENABLE bit (Region Enable)

The ENABLE bit enables or disables group A region n unit.

When the ENABLE bit is set to 1, the RP bit and the WP bit can be set to permit or protect access to the region that is set in MMPUSAn and MMPUEAn. When the ENABLE bit is set to 0, no region is specified for group A region n access.

RP bit (Read Protection)

The RP bit enables or disables read protection for group A region n. The RP bit is available when the ENABLE bit is set to 1.

WP bit (Write Protection)

The WP bit enables or disables write protection for group A region n. The WP bit is available when the ENABLE bit is set to 1.

Table 15.5 Function of region control circuit

| MMPUACAn.ENABLE | MMPUACAn.RP | MMPUACAn.WP | Access | Region | Output of group A region n unit |
|-----------------|-------------|-------------|---------|-------------------|---------------------------------|
| 0 | - | - | Read | - | Outside of region |
| | | | Write | | Outside of region |
| 1 | 0 | 0 | Read | Inside | Permitted region |
| | | | | Outside | Outside of region |
| | | | Write | Inside | Permitted region |
| | | | | Outside | Outside of region |
| | 0 | 1 | Read | Inside | Permitted region |
| | | | | Outside | Outside of region |
| | | | Write | Inside | Protection region |
| | | | | Outside | Outside of region |
| | 1 | 0 | Read | Inside | Protection region |
| | | | | Outside | Outside of region |
| | | | Write | Inside | Permitted region |
| | | | | Outside | Outside of region |
| 1 | 1 | Read | Inside | Protection region | |
| | | | Outside | Outside of region | |
| | | Write | Inside | Protection region | |
| | | | Outside | Outside of region | |

n = 0 to 15

Table 15.6 Function of master control circuit

| MMPUCTLA.ENABLE | Output of group A region 0 unit | Output of group A region 1 unit | Output of group A region 2 to 15 unit | Function of group A |
|-----------------|---------------------------------|---------------------------------|---------------------------------------|---------------------|
| 1 | Protected region | Don't care | Don't care | Generate error |
| 1 | Don't care | Protected region | Don't care | Generate error |
| 1 | Don't care | Don't care | Protected region | Generate error |
| 1 | Outside of region | Outside of region | Outside of region | Generate error |
| Other case | | | | No error |

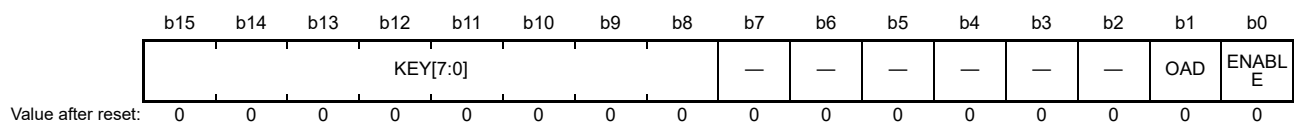
A master MPU error occurs on the following conditions:

- MMPUCTLA.ENABLE = 1, and output of one or more region n unit is to a protected region
- MMPUCTLA.ENABLE = 1, and output of all region n unit is outside of region.

Other cases are for permitted regions.

15.4.1.4 Bus Master MPU Control Register (MMPUCTLA)

Address(es): MMPU.MMPUCTLA 4000 0000h



| Bit | Symbol | Bit name | Description | R/W |
|-----------|----------|---------------------------|----------------------------------------------------------------|---------|
| b0 | ENABLE | Master Group Enable | 0: Master group A disabled 1: Master group A enabled. | R/W |
| b1 | OAD | Operation After Detection | 0: Non-maskable interrupt 1: Reset. | R/W |
| b7 to b2 | — | Reserved | These bits are read as 0. The write value should be 0. | R/W |
| b15 to b8 | KEY[7:0] | Key Code | These bits enable or disable writes to the OAD and ENABLE bits | R/(W)*1 |

Note 1. Write data is not saved.

ENABLE bit (Master Group Enable)

The ENABLE bit enables or disables the bus master MPU function of master group A.

When this bit is set to 1, MMPUACn is available. When this bit is set to 0, MMPUACn is unavailable, including permission for all regions. When the ENABLE bit is set, simultaneously write A5h to the KEY[7:0] bits using halfword access.

OAD bit (Operation After Detection)

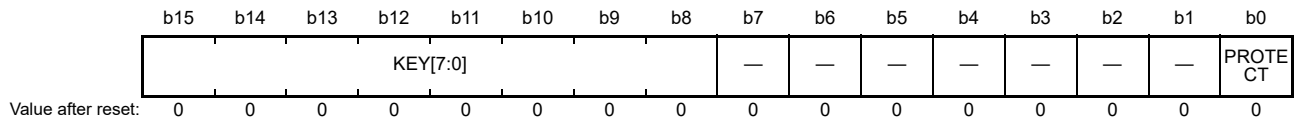
The OAD bit generates a reset or non-maskable interrupt when access to the protected region is detected by the bus master MPU. When the OAD bit is set, simultaneously write A5h to the KEY[7:0] bits using halfword access.

KEY[7:0] bits (Key Code)

The KEY[7:0] bits enable or disable writes to the ENABLE and OAD bits. When writing to the ENABLE and OAD bits, write A5h to the KEY[7:0] bits simultaneously. When values other than A5h are written to the KEY[7:0] bits, the ENABLE and the OAD bits are not updated. The KEY[7:0] bits are always read as 00h.

15.4.1.5 Group A Protection of Register (MMPUPTA)

Address(es): MMPU.MMPUPTA 4000 0102h



| Bit | Symbol | Bit name | Description | R/W |
|-----------|----------|------------------------|------------------------------------------------------------------------------------------------------------------------------------------------------|--------|
| b0 | PROTECT | Protection of register | 0: All bus master MPU group A register writes are permitted 1: All bus master MPU group A register writes are protected. Read access is possible. | R/W |
| b7 to b1 | — | Reserved | These bits are read as 0. The write value should be 0. | R/W |
| b15 to b8 | KEY[7:0] | Key Code | These bits enable or disable writes to the PROTECT bit | R(W)*1 |

Note 1. Write data is not saved.

PROTECT bit (Protection of register)

The PROTECT bit enables or disables writes to the associated registers to be protected. MMPUPTA.PROTECT controls the bus master MPU group A protection registers.

The following registers are protected by MMPUPTA.PROTECT:

- MMPUSAn
- MMPUEAn
- MMPUACAn
- MMPUCTLA.

When the PROTECT bit is set, simultaneously write A5h to the KEY[7:0] bits using halfword access.

KEY[7:0] bits (Key Code)

The KEY[7:0] bits enable or disable writes to the PROTECT bit. When writing to the PROTECT bit, simultaneously write A5h to the KEY[7:0] bits. When values other than A5h are written to the KEY[7:0] bits, the PROTECT bit is not updated. The KEY[7:0] bits are always read as 00h.

15.4.2 Operation

15.4.2.1 Memory protection

The bus master MPU monitors memory access using control settings made individually for the access control regions. If access to a protected region is detected, the bus master MPU generates a memory protection error.

The bus master MPU can be set for up to 16 protection regions. Protected regions include those with overlapping permitted and protected regions, and those with two overlapping permitted regions.

The bus master MPU has group A. The memory protection function checks the address of the bus for the master group and all master group accesses are protected. The bus master MPU sets the permission for all of the regions after reset. Setting MMPUCTLA.ENABLE to 1 protects all of the regions. A permitted region is set up within the protected region for each region. If access to the protected region is detected, the bus master MPU generates an error.

Figure 15.5 shows the use case of a bus master MPU.

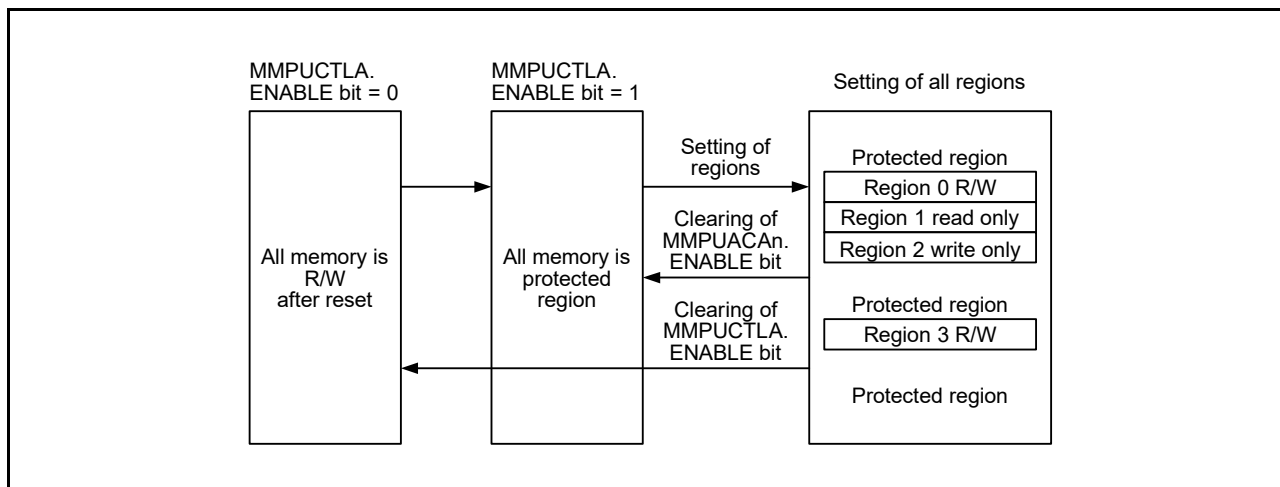


Figure 15.5 Use case of bus master MPU

Figure 15.6 shows the access permission or protection for the overlapping bus master MPU regions.

Access control for the overlapping regions is as follows:

- The region is handled as a protected region when output of one or more region units is a protected region
- The region is handled as a protected region when output of all region units is outside of the regions
- Other cases are handled as permitted regions.

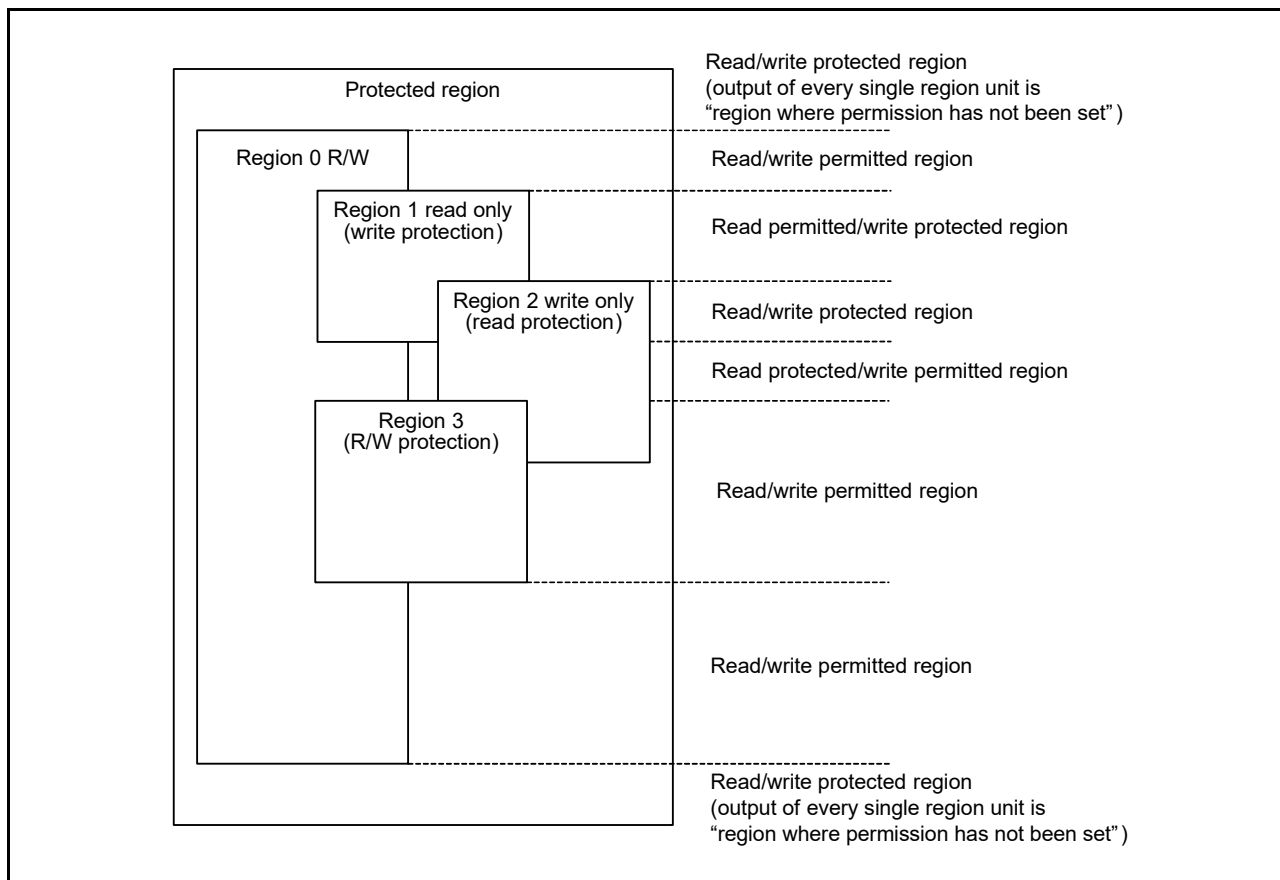


Figure 15.6 Access permission or protection by overlap of the bus master MPU regions

Figure 15.7 shows the register setting flow after reset. During this register setting, stop all the masters except the CPU.

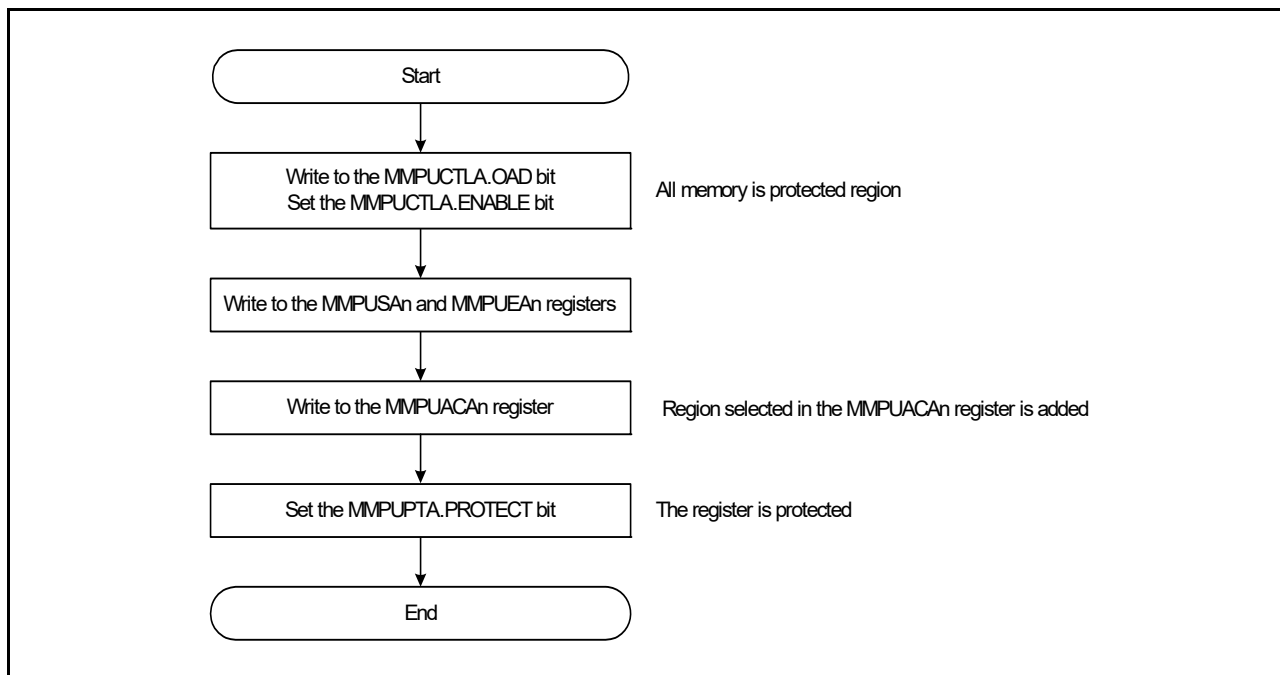


Figure 15.7 Register setting flow after reset

Figure 15.8 shows the register setting flow for adding regions. During this register setting, stop all masters except the CPU.

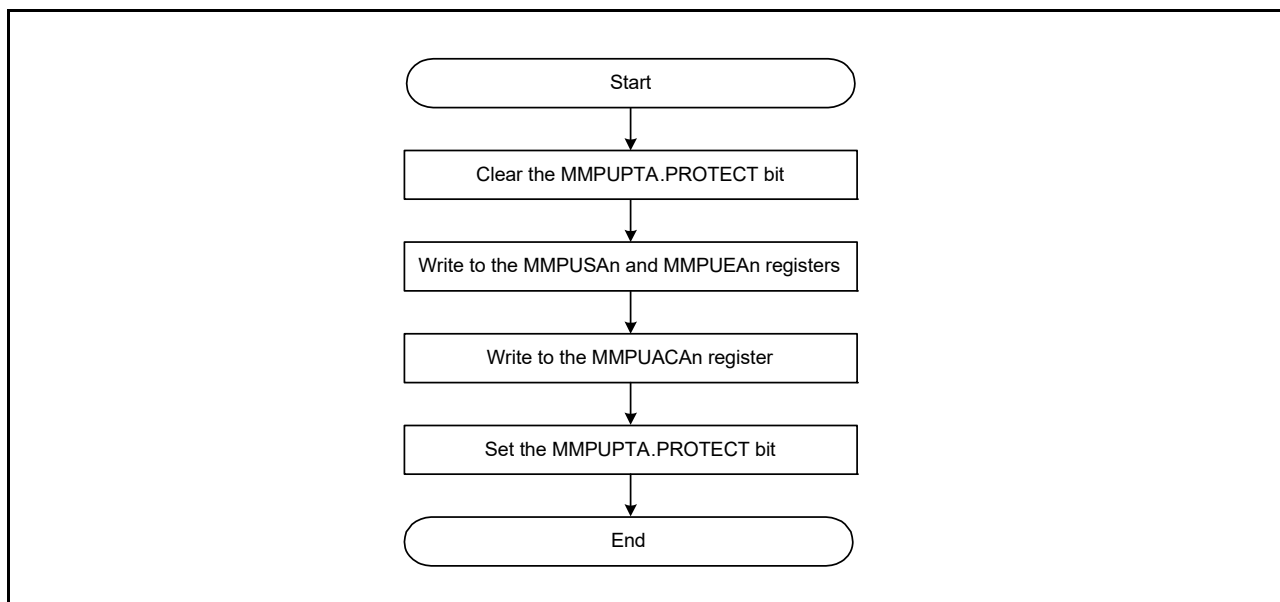


Figure 15.8 Register setting flow for region addition

15.4.2.2 Protecting the registers

To protect the registers related to the bus master MPU, set the PROTECT bit in the MMPUPTA register.

15.4.2.3 Memory protection error

If access to the protected region is detected, the bus master MPU generates an error. Set the OAD bit to select whether the error is reported as a non-maskable interrupt or a reset. The non-maskable interrupt status is indicated in ICU.NMISR.BUSMST. For details, see [section 13, Interrupt Controller Unit \(ICU\)](#). The reset status is indicated in

SYSTEM.RSTSR1.BUSMRF. For details, see [section 5, Resets](#).

15.5 Bus Slave MPU

The bus slave MPU monitors access to the bus slave function such as flash or SRAM. The bus slave function can be accessed from two bus masters, the CPU, and the bus master MPU group A. The bus slave MPU has a separate protection register for each of the two bus masters, with individual access protection control. If access to a protected region is detected, the bus slave MPU generates a reset or a non-maskable interrupt, and can store the bus error status, error access status, and bus error address in the I/O Registers. For details, see 14.3.3 and 14.3.4 in [section 14, Buses](#). The supported access control information for the individual regions consists of permission to read and to write.

[Table 15.7](#) lists the specifications of the bus slave MPU, and [Figure 15.9](#) shows a block diagram.

Table 15.7 Specifications of bus slave MPU

| Specifications | Description |
|------------------------------------------------------------|----------------------------------------------------------------------------------------------------------------------------------------------------------------------------------------------------------------------------------------------------------------------------------------------------------------------------------------------------------------------------------------------------------------------------------------------------------------------------------------------------------------------------------------------------------------------|
| Protected bus master | Bus master MPU group A: DMA bus |
| Protected slave functions | Memory bus 3: Code flash memory Memory bus 4: SRAM0 Internal peripheral bus 1: Peripheral modules related system control Internal peripheral bus 3: Peripheral modules (CAC, ELC, I/O Ports, POEG, RTC, WDT, IWDT, IIC, CAN, SSIE, ADC14, DAC12, and DOC) Internal peripheral bus 4: Peripheral modules (SCI, SPI, and CRC) Internal peripheral bus 5: Peripheral modules (KINT, AGT, USBFS, DAC8, OPAMP, ACMPPLP, and CTSU) Internal peripheral bus 7: Secure IP (SCE5) Internal peripheral bus 9: Flash memory (in P/E) and data flash memory |
| Access-control information settings for individual regions | Permission to read and write |
| Operation after detection | Reset, non-maskable interrupt, or exception |
| Protection of register | Register can be protected from illegal writes |

The bus slave MPU is located on each bus slave side and controls the permission or protection of access from each bus master to each bus slave.

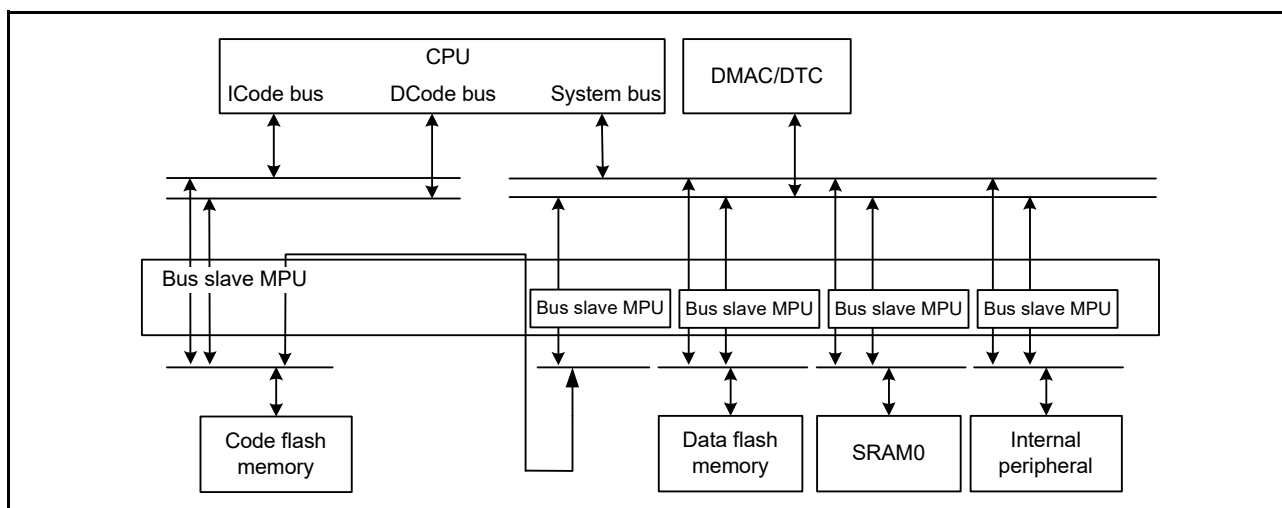


Figure 15.9 Bus slave MPU block diagram

15.5.1 Register Descriptions

Note: Bus access must be stopped before writing to MPU registers.

15.5.1.1 Access Control Register for Memory Bus 3 (SMPUMBIU)

Address(es): SMPU.SMPUMBIU 4000 0C10h

| | | | | | | | | | | | | | | | |
|--------------------|-----|-----|-----|-----|-----|----|----|----|----|----|----|------------|------------|----|----|
| b15 | b14 | b13 | b12 | b11 | b10 | b9 | b8 | b7 | b6 | b5 | b4 | b3 | b2 | b1 | b0 |
| — | — | — | — | — | — | — | — | — | — | — | — | WPGR PA | RPGRP A | — | — |
| Value after reset: | | | | | | | | | | | | | | | |
| 0 | 0 | 0 | 0 | 0 | 0 | 0 | 0 | 0 | 0 | 0 | 0 | 0 | 0 | 0 | 0 |

| Bit | Symbol | Bit name | Description | R/W |
|-----------|--------|---------------------------------|------------------------------------------------------------------------------------------------------------------|-----|
| b1, b0 | — | Reserved | These bits are read as 0. The write value should be 0. | R/W |
| b2 | RPGRPA | Master Group A Read Protection | 0: Memory protection for master group A read disabled 1: Memory protection for master group A read enabled. | R/W |
| b3 | WPGRPA | Master Group A Write Protection | 0: Memory protection for master group A write disabled 1: Memory protection for master group A write enabled. | R/W |
| b15 to b4 | — | Reserved | These bits are read as 0. The write value should be 0. | R/W |

RPGRPA bit (Master Group A Read Protection)

The RPGRPA bit enables or disables memory protection for master group A reads on memory bus 3.

WPGRPA bit (Master Group A Write Protection)

The WPGRPA bit enables or disables memory protection for master group A writes on memory bus 3.

15.5.1.2 Access Control Register for Internal Peripheral Bus 9 (SMPUFBIU)

Address(es): SMPU.SMPUFBIU 4000 0C14h

| | | | | | | | | | | | | | | | |
|--------------------|-----|-----|-----|-----|-----|----|----|----|----|----|----|------------|------------|-----------|-------|
| b15 | b14 | b13 | b12 | b11 | b10 | b9 | b8 | b7 | b6 | b5 | b4 | b3 | b2 | b1 | b0 |
| — | — | — | — | — | — | — | — | — | — | — | — | WPGR PA | RPGRP A | WPCP U | RPCPU |
| Value after reset: | | | | | | | | | | | | | | | |
| 0 | 0 | 0 | 0 | 0 | 0 | 0 | 0 | 0 | 0 | 0 | 0 | 0 | 0 | 0 | 0 |

| Bit | Symbol | Bit name | Description | R/W |
|-----------|--------|---------------------------------|------------------------------------------------------------------------------------------------------------------|-----|
| b0 | RPCPU | CPU Read Protection | 0: Memory protection for CPU read disabled 1: Memory protection for CPU read enabled. | R/W |
| b1 | WPCPU | CPU Write Protection | 0: Memory protection for CPU write disabled 1: Memory protection for CPU write enabled. | R/W |
| b2 | RPGRPA | Master Group A Read Protection | 0: Memory protection for master group A read disabled 1: Memory protection for master group A read enabled. | R/W |
| b3 | WPGRPA | Master Group A Write Protection | 0: Memory protection for master group A write disabled 1: Memory protection for master group A write enabled. | R/W |
| b15 to b4 | — | Reserved | These bits are read as 0. The write value should be 0. | R/W |

RPCPU bit (CPU Read Protection)

The RPCPU bit enables or disables memory protection for CPU reads on internal peripheral bus 9.

WPCPU bit (CPU Write Protection)

The WPCPU bit enables or disables memory protection for CPU writes on internal peripheral bus 9.

RPGRPA bit (Master Group A Read Protection)

The RPGRPA bit enables or disables memory protection for master group A reads on internal peripheral bus 9.

WPGRPA bit (Master Group A Write Protection)

The WPGRPA bit enables or disables memory protection for master group A writes on internal peripheral bus 9.

15.5.1.3 Access Control Register for Memory Bus 4 (SMPUSRAM0)

Address(es): `SMPU.SMPUSRAM0 4000 0C18h`

| | | | | | | | | | | | | | | | | |
|--------------------|-----|-----|-----|-----|-----|-----|----|----|----|----|----|----|--------|--------|-------|-------|
| | b15 | b14 | b13 | b12 | b11 | b10 | b9 | b8 | b7 | b6 | b5 | b4 | b3 | b2 | b1 | b0 |
| | — | — | — | — | — | — | — | — | — | — | — | — | WPGRPA | RPGRPA | WPCPU | RPCPU |
| Value after reset: | 0 | 0 | 0 | 0 | 0 | 0 | 0 | 0 | 0 | 0 | 0 | 0 | 0 | 0 | 0 | 0 |

| Bit | Symbol | Bit name | Description | R/W |
|-----------|------------------------|---------------------------------|----------------------------------------------------------------------------------------------------------|-----|
| b0 | RPCPU | CPU Read Protection | 0: CPU read memory protection disabled 1: CPU read memory protection enabled. | R/W |
| b1 | WPCPU | CPU Write Protection | 0: CPU write memory protection disabled 1: CPU write memory protection enabled. | R/W |
| b2 | RPGRPA | Master Group A Read Protection | 0: Master group A read memory protection disabled 1: Master group A read memory protection enabled. | R/W |
| b3 | WPGRPA | Master Group A Write Protection | 0: Master group A write memory protection disabled 1: Master group A write memory protection enabled. | R/W |
| b15 to b4 | — | Reserved | These bits are read as 0. The write value should be 0. | R/W |

RPCPU bit (CPU Read Protection)

The RPCPU bit enables or disables memory protection for CPU reads on memory bus 4.

WPCPU bit (CPU Write Protection)

The WPCPU bit enables or disables memory protection for CPU writes on memory bus 4.

RPGRPA bit (Master Group A Read Protection)

The RPGRPA bit enables or disables memory protection for master group A reads on memory bus 4.

WPGRPA bit (Master Group A Write Protection)

The WPGRPA bit enables or disables memory protection for master group A writes on memory bus 4.

15.5.1.4 Access Control Register for Internal Peripheral Bus 1 (SMPUP0BIU)

Address(es): `SMPU.SMPUP0BIU 4000 0C20h`

| | | | | | | | | | | | | | | | | |
|--------------------|-----|-----|-----|-----|-----|-----|----|----|----|----|----|----|--------|--------|-------|-------|
| | b15 | b14 | b13 | b12 | b11 | b10 | b9 | b8 | b7 | b6 | b5 | b4 | b3 | b2 | b1 | b0 |
| | — | — | — | — | — | — | — | — | — | — | — | — | WPGRPA | RPGRPA | WPCPU | RPCPU |
| Value after reset: | 0 | 0 | 0 | 0 | 0 | 0 | 0 | 0 | 0 | 0 | 0 | 0 | 0 | 0 | 0 | 0 |

| Bit | Symbol | Bit name | Description | R/W |
|-----|------------------------|---------------------------------|------------------------------------------------------------------------------------------------------------------|-----|
| b0 | RPCPU | CPU Read Protection | 0: Memory protection for CPU read disabled 1: Memory protection for CPU read enabled. | R/W |
| b1 | WPCPU | CPU Write Protection | 0: Memory protection for CPU write disabled 1: Memory protection for CPU write enabled. | R/W |
| b2 | RPGRPA | Master Group A Read Protection | 0: Memory protection for master group A read disabled 1: Memory protection for master group A read enabled. | R/W |
| b3 | WPGRPA | Master Group A Write Protection | 0: Memory protection for master group A write disabled 1: Memory protection for master group A write enabled. | R/W |

| Bit | Symbol | Bit name | Description | R/W |
|-----------|--------|----------|--------------------------------------------------------|-----|
| b15 to b4 | — | Reserved | These bits are read as 0. The write value should be 0. | R/W |

RPCPU bit (CPU Read Protection)

The RPCPU bit enables or disables memory protection for CPU reads on internal peripheral bus 1.

WPCPU bit (CPU Write Protection)

The WPCPU bit enables or disables memory protection for CPU writes on internal peripheral bus 1.

RPGRPA bit (Master Group A Read Protection)

The RPGRPA bit enables or disables memory protection for master group A reads on internal peripheral bus 1.

WPGRPA bit (Master Group A Write Protection)

The WPGRPA bit enables or disables memory protection for master group A writes on internal peripheral bus 1.

15.5.1.5 Access Control Register for Internal Peripheral Bus 3 (SMPUP2BIU)

Address(es): SMPU.SMPUP2BIU 4000 0C24h

| | b15 | b14 | b13 | b12 | b11 | b10 | b9 | b8 | b7 | b6 | b5 | b4 | b3 | b2 | b1 | b0 |
|--------------------|-----|-----|-----|-----|-----|-----|----|----|----|----|----|----|--------|--------|-------|-------|
| | — | — | — | — | — | — | — | — | — | — | — | — | WPGRPA | RPGRPA | WPCPU | RPCPU |
| Value after reset: | 0 | 0 | 0 | 0 | 0 | 0 | 0 | 0 | 0 | 0 | 0 | 0 | 0 | 0 | 0 | 0 |

| Bit | Symbol | Bit name | Description | R/W |
|-----------|--------|---------------------------------|------------------------------------------------------------------------------------------------------------------|-----|
| b0 | RPCPU | CPU Read Protection | 0: Memory protection for CPU read disabled 1: Memory protection for CPU read enabled. | R/W |
| b1 | WPCPU | CPU Write Protection | 0: Memory protection for CPU write disabled 1: Memory protection for CPU write enabled. | R/W |
| b2 | RPGRPA | Master Group A Read Protection | 0: Memory protection for master group A read disabled 1: Memory protection for master group A read enabled. | R/W |
| b3 | WPGRPA | Master Group A Write Protection | 0: Memory protection for master group A write disabled 1: Memory protection for master group A write enabled. | R/W |
| b15 to b4 | — | Reserved | These bits are read as 0. The write value should be 0. | R/W |

RPCPU bit (CPU Read Protection)

The RPCPU bit enables or disables memory protection for CPU reads on internal peripheral bus 3, internal peripheral bus 4, and internal peripheral bus 5.

WPCPU bit (CPU Write Protection)

The WPCPU bit enables or disables memory protection for CPU writes on internal peripheral bus 3, internal peripheral bus 4, and internal peripheral bus 5.

RPGRPA bit (Master Group A Read Protection)

The RPGRPA bit enables or disables memory protection for master group A reads on internal peripheral bus 3, internal peripheral bus 4, and internal peripheral bus 5.

WPGRPA bit (Master Group A Write Protection)

The WPGRPA bit enables or disables memory protection for master group A writes on internal peripheral bus 3, internal peripheral bus 4, and internal peripheral bus 5.

15.5.1.6 Access Control Register for Internal Peripheral Bus 7 (SMPUP6BIU)

Address(es): SMPU.SMPUP6BIU 4000 0C28h

| | | | | | | | | | | | | | | | |
|--------------------|-----|-----|-----|-----|-----|----|----|----|----|----|----|------------|------------|-----------|-------|
| b15 | b14 | b13 | b12 | b11 | b10 | b9 | b8 | b7 | b6 | b5 | b4 | b3 | b2 | b1 | b0 |
| — | — | — | — | — | — | — | — | — | — | — | — | WPGR PA | RPGRP A | WPCP U | RPCPU |
| Value after reset: | | | | | | | | | | | | | | | |
| 0 | 0 | 0 | 0 | 0 | 0 | 0 | 0 | 0 | 0 | 0 | 0 | 0 | 0 | 0 | 0 |

| Bit | Symbol | Bit name | Description | R/W |
|-----------|--------|---------------------------------|------------------------------------------------------------------------------------------------------------------|-----|
| b0 | RPCPU | CPU Read Protection | 0: Memory protection for CPU read disabled 1: Memory protection for CPU read enabled. | R/W |
| b1 | WPCPU | CPU Write Protection | 0: Memory protection for CPU write disabled 1: Memory protection for CPU write enabled. | R/W |
| b2 | RPGRPA | Master Group A Read Protection | 0: Memory protection for master group A read disabled 1: Memory protection for master group A read enabled. | R/W |
| b3 | WPGRPA | Master Group A Write Protection | 0: Memory protection for master group A write disabled 1: Memory protection for master group A write enabled. | R/W |
| b15 to b4 | — | Reserved | These bits are read as 0. The write value should be 0. | R/W |

RPCPU bit (CPU Read Protection)

The RPCPU bit enables or disables memory protection for CPU reads on internal peripheral bus 7.

WPCPU bit (CPU Write Protection)

The WPCPU bit enables or disables memory protection for CPU writes on internal peripheral bus 7.

RPGRPA bit (Master Group A Read Protection)

The RPGRPA bit enables or disables memory protection for master group A reads on internal peripheral bus 7.

WPGRPA bit (Master Group A Write Protection)

The WPGRPA bit enables or disables memory protection for master group A writes on internal peripheral bus 7.

15.5.1.7 Slave MPU Control Register (SMPUCTL)

Address(es): SMPU.SMPUCTL 4000 0C00h

| | | | | | | | | | | | | | | | |
|--------------------|-----|-----|-----|-----|-----|----|----|----|----|----|----|----|-------------|-----|----|
| b15 | b14 | b13 | b12 | b11 | b10 | b9 | b8 | b7 | b6 | b5 | b4 | b3 | b2 | b1 | b0 |
| KEY[7:0] | | | | | | | — | — | — | — | — | — | PROTE CT | OAD | |
| Value after reset: | | | | | | | | | | | | | | | |
| 0 | 0 | 0 | 0 | 0 | 0 | 0 | 0 | 0 | 0 | 0 | 0 | 0 | 0 | 0 | 0 |

| Bit | Symbol | Bit name | Description | R/W |
|-----------|----------|---------------------------|------------------------------------------------------------------------------------------------------------------------|--------|
| b0 | OAD | Operation after Detection | 0: Non-maskable interrupt 1: Reset. | R/W |
| b1 | PROTECT | Protection of Register | 0: All bus slave register writes are permitted 1: All bus slave register writes are protected. Reads are permitted. | R/W |
| b7 to b2 | — | Reserved | These bits are read as 0. The write value should be 0. | R/W |
| b15 to b8 | KEY[7:0] | Key Code | These bits enable or disable writes to the OAD and PROTECT bits | R(W)*1 |

Note 1. Write data is not saved.

OAD bit (Operation after Detection)

The OAD bit generates either a reset or non-maskable interrupt when access to the protected region is detected by the bus slave MPU. When the OAD bit is set, write A5h to the KEY[7:0] bits simultaneously using halfword access.

PROTECT bit (Protection of Register)

The PROTECT bit enables or disables writes to the associated registers to be protected. The following registers are protected by SMPUCTL.PROTECT:

- SMPUMBIU
- SMPUFBIU
- SMPUSRAM0
- SMPUP0BIU
- SMPUP2BIU
- SMPUP6BIU.

When the PROTECT bit is set, simultaneously write A5h to the KEY[7:0] bits using halfword access.

KEY[7:0] bits (Key Code)

The KEY[7:0] bits enable or disable writes to the OAD and PROTECT bits. When writing to the OAD and PROTECT bits, simultaneously write A5h to KEY[7:0]. When values other than A5h are written to the KEY[7:0] bits, the OAD and the PROTECT bits are not updated. The KEY[7:0] bits are always read as 00h.

15.5.2 Functions**15.5.2.1 Memory protection**

The bus slave MPU monitoring uses access control information that is set for the individual access control registers, whether or not access by the bus slaves violates the access control settings. If access to the protected region is detected, the bus slave MPU generates a memory protection error.

The bus slave MPU is enabled by writing 1 to the Write Protect (WPCPU or WPGRPA) bit or the Read Protect (RPCPU or RPGRPA) bit in the access control registers (SMPUMBIU, SMPUFBIU, SMPUSRAM0, SMPUP0BIU, SMPUP2BIU, and SMPUP6BIU).

15.5.2.2 Protection of registers

Registers related to the bus slave MPU can be protected with the PROTECT bit in the SMPUCTL register.

15.5.2.3 Memory protection error

If access to a protected region is detected, the bus slave MPU generates a memory protection error. Set the OAD bit to select whether the error is reported as a non-maskable interrupt or a reset.

The non-maskable interrupt status is indicated in ICU.NMISR.BUSSST. For details, see [section 13, Interrupt Controller Unit \(ICU\)](#). The reset status is indicated in SYSTEM.RSTSR1.BUSSRF. For details, see [section 5, Resets](#).

15.6 Security MPU

The MCU incorporates a security MPU with four secure regions that include the code flash, SRAM, and two security functions. The secure regions can be protected from non-secure program accesses. Access to a protected region from a non-secure program is not permitted.

[Table 15.8](#) lists the specifications of the security MPU and [Figure 15.10](#) shows a block diagram.

Table 15.8 Security MPU specifications (1 of 2)

| Specifications | Description |
|----------------|------------------------------------------|
| Secure regions | Code flash, SRAM, two security functions |

Table 15.8 Security MPU specifications (2 of 2)

| Specifications | Description |
|-----------------------------------------------------------------------|-----------------------------------------------------------------------------------------------------------------------------------------------------------------------------|
| Protected regions | 0000 0000h to 00FF FFFFh (code flash memory) 1FF0 0000h to 200F FFFFh (SRAM) 400C 0000h to 400D FFFFh 4010 0000h to 407F FFFFh (secure data of security functions) |
| Number of regions | Program Counter: 2 regions Data Access: 4 regions |
| Address specification for individual regions | Setting the address where regions start and end |
| Enable or disable setting for memory protection in individual regions | Settings enabled or disabled for the associated region |

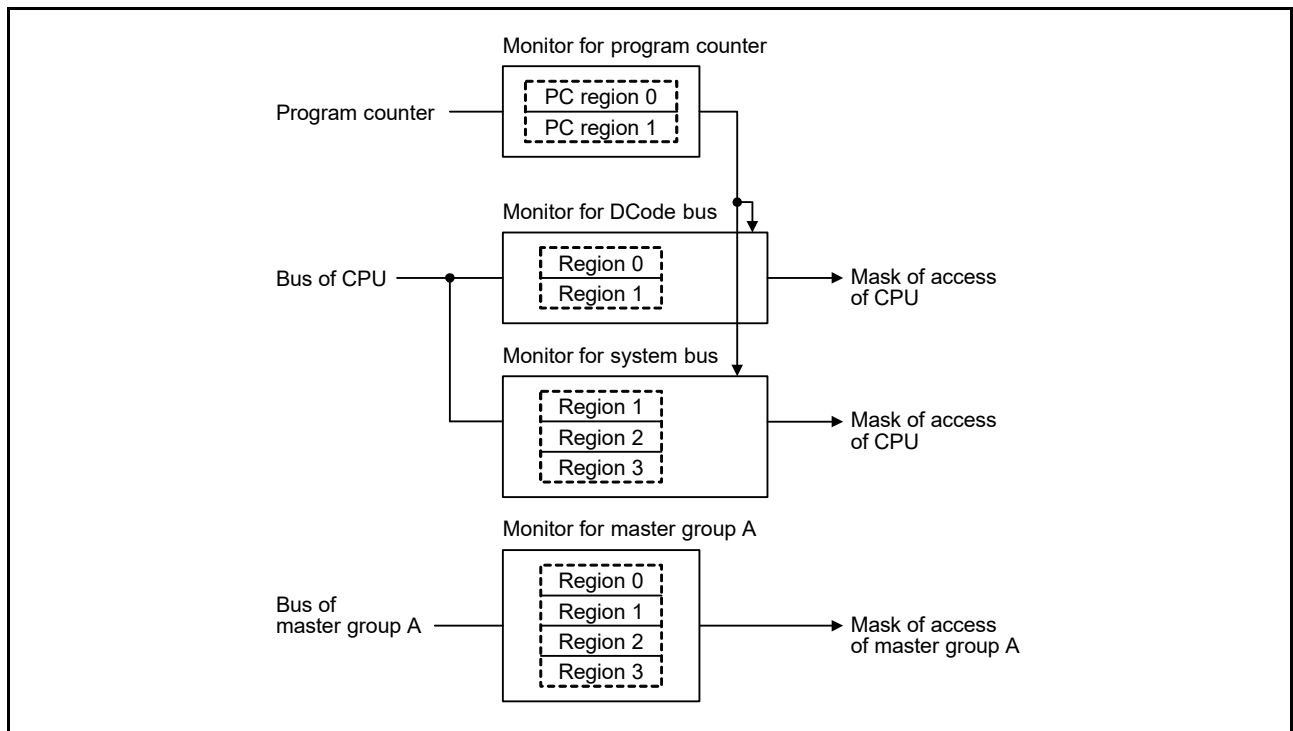


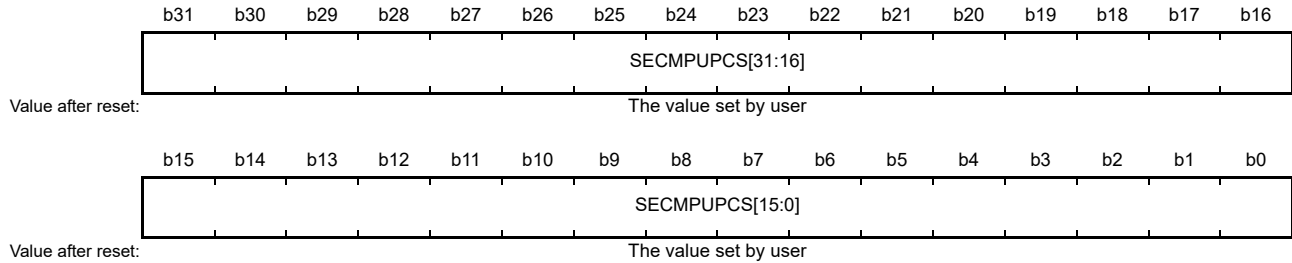
Figure 15.10 Security MPU block diagram

15.6.1 Register Descriptions (Option-Setting memory)

All security MPU registers are option-setting memory. Option-setting memory refers to a set of registers that are available for selecting the state of the microcontroller after a reset. The option-setting memory is allocated in the flash.

15.6.1.1 Security MPU Program Counter Start Address Register (SECMPUPCS_n) (n = 0, 1)

Address(es): SECMPUPCS0 0000 0408h, SECMPUPCS1 0000 0410h



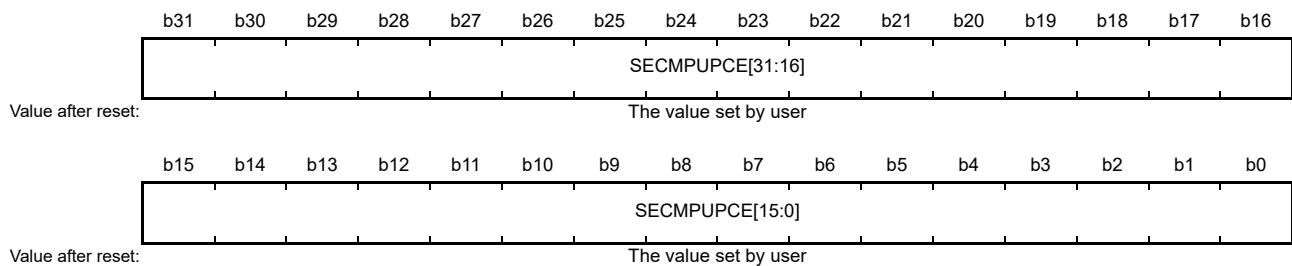
| Bit | Symbol | Bit name | Description | R/W |
|-----------|-----------------|----------------------|---------------------------------------------------------------------------------------------------------------------------------------------------------------------------------------------------------------------------------------------------------------------------------------------------------------------------------|-----|
| b31 to b0 | SECMPUPCS[31:0] | Region Start Address | Address where the region starts, for use in region determination. The lower 2 bits are read as 0. The value range should be 0000 0000h to 00FF FFFCh and 1FF0 0000h to 200F FFFCh, excluding reserved areas. When setting this register value in the option-setting memory, the write value of the lower 2 bits should be 0. | R |

The SECMPUPCS_n and SECMPUPCE_n registers specify the security fetch region for the code flash (0000 0000h to 00FF FFFFh, excluding the reserved areas) or SRAM (1FF0 0000h to 200F FFFFh, excluding the reserved areas). The secure program is executed in the memory space defined by the SECMPUPCS_n and SECMPUPCE_n registers and can access the secure data specified in the SECMPUS_m and SECMPUE_m (m = 0 to 3) registers.

Address space of greater than 12 bytes is required between the last instruction of a non-secure program and the first instruction of a secure program.

15.6.1.2 Security MPU Program Counter End Address Register (SECMPUPCE_n) (n = 0, 1)

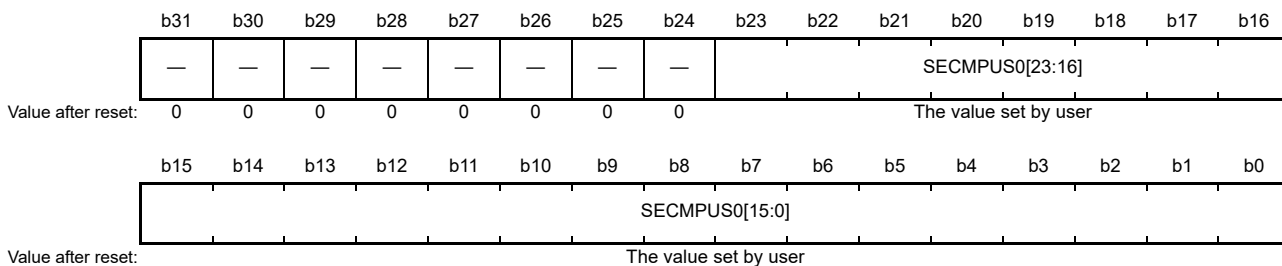
Address(es): SECMPUPCE0 0000 040Ch, SECMPUPCE1 0000 0414h



| Bit | Symbol | Bit name | Description | R/W |
|-----------|-----------------|--------------------|-------------------------------------------------------------------------------------------------------------------------------------------------------------------------------------------------------------------------------------------------------------------------------------------------------------------------------|-----|
| b31 to b0 | SECMPUPCE[31:0] | Region End Address | Address where the region ends, for use in region determination. The lower 2 bits are read as 1. The value range should be 0000 0003h to 00FF FFFFh and 1FF0 0003h to 200F FFFFh, excluding reserved areas. When setting this register value in the option-setting memory, the write value of the lower 2 bits should be 1. | R |

15.6.1.3 Security MPU Region 0 Start Address Register (SECMPUS0)

Address(es): SECMPUS0 0000 0418h



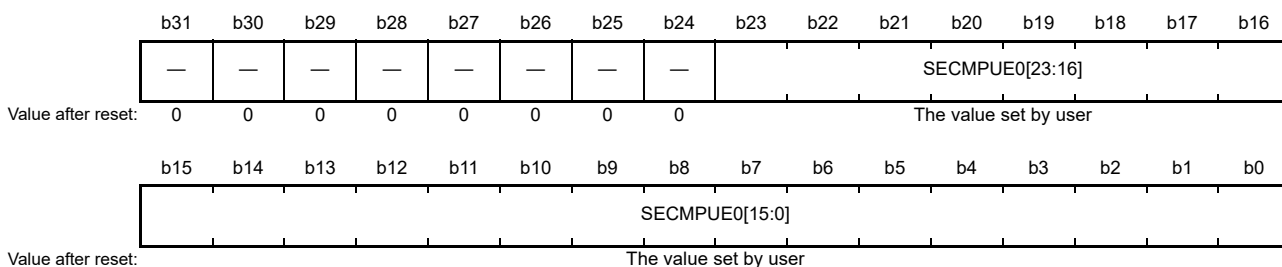
| Bit | Symbol | Bit name | Description | R/W |
|------------|----------------|----------------------|-------------------------------------------------------------------------------------------------------------------------------------------------------------------------------------------------------------------------------------------------------------------------------------------------------|-----|
| b23 to b0 | SECMPUS0[23:0] | Region Start Address | Address where the region starts, for use in region determination. The lower 2 bits are read as 0. The value range should be 0000 0000h to 00FF FFFCh, excluding reserved areas. When setting this register value in the option-setting memory, the write value of the lower 2 bits should be 0. | R |
| b31 to b24 | — | Reserved | These bits are read as 0. When setting this register value in the option-setting memory, the write value of these bits should be 0. | R |

The SECMPUS0 and SECMPUE0 registers specify the secure program and the flash data (0000 0000h to 00FF FFFFh, excluding the reserved areas). The memory space defined in the SECMPUS0 and SECMPUE0 registers can only be accessed from the secure program set up in the SECMPUPCSn and SECMPUPCEn registers.

Setting of the vector table area is prohibited.

15.6.1.4 Security MPU Region 0 End Address Register (SECMPUE0)

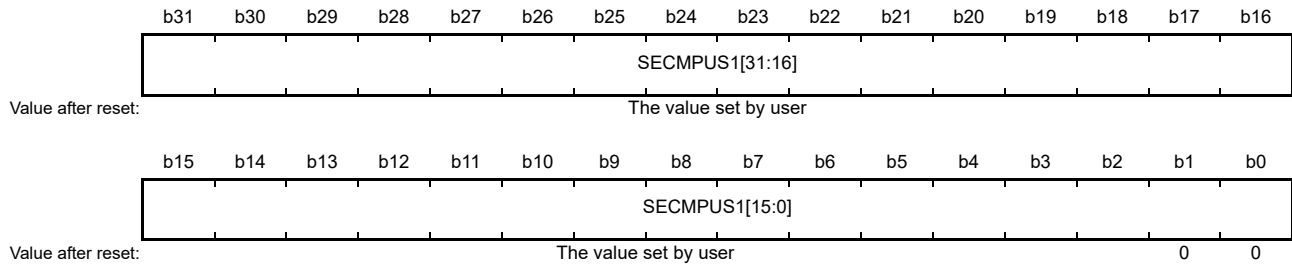
Address(es): SECMPUE0 0000 041Ch



| Bit | Symbol | Bit name | Description | R/W |
|------------|----------------|--------------------|---------------------------------------------------------------------------------------------------------------------------------------------------------------------------------------------------------------------------------------------------------------------------------------------------------|-----|
| b23 to b0 | SECMPUE0[23:0] | Region End Address | Address where the region ends, for use in region determination. The lower 2 bits are read as 1. The value range should be 0000 0003h to 00FF FFFFh, excluding the reserved areas. When setting this register value in the option-setting memory, the write value of the lower 2 bits should be 1. | R |
| b31 to b24 | — | Reserved | These bits are read as 0. When setting this register value in the option-setting memory, the write value of these bits should be 0. | R |

15.6.1.5 Security MPU Region 1 Start Address Register (SECMPLUS1)

Address(es): SECMPLUS1 0000 0420h



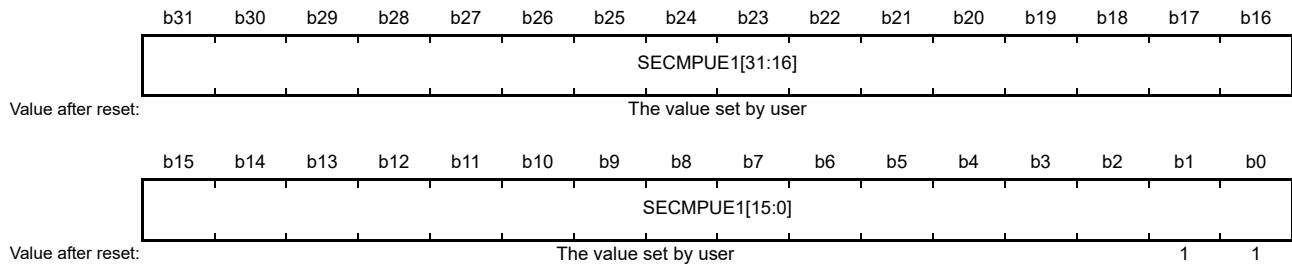
| Bit | Symbol | Bit name | Description | R/W |
|-----------|-----------------|----------------------|-----------------------------------------------------------------------------------------------------------------------------------------------------------------------------------------------------------------------------------------------------------------------------------------------------------------------------------------------------------------------|-----|
| b31 to b0 | SECMPLUS1[31:0] | Region Start Address | Address where the region starts, for use in region determination. The lower 2 bits are read as 0. The value range should be 1FF0 0000h to 200F FFFCh, excluding the reserved areas. When setting this register value in the option-setting memory, the write value of the lower 2 bits should be 0, and the write value of bits [31:20] should be 1FFh or 200h. | R |

The SECMPLUS1 and SECMPLUS1 registers specify the secure data of the SRAM (1FF0 0000h to 200F FFFFh, excluding the reserved areas). The memory space defined in the SECMPLUS1 and SECMPLUS1 registers can only be accessed from the secure program set up in the SECMPLUS1 and SECMPLUS1 registers.

Setting of the stack area and the vector table is prohibited.

15.6.1.6 Security MPU Region 1 End Address Register (SECMPLUS1)

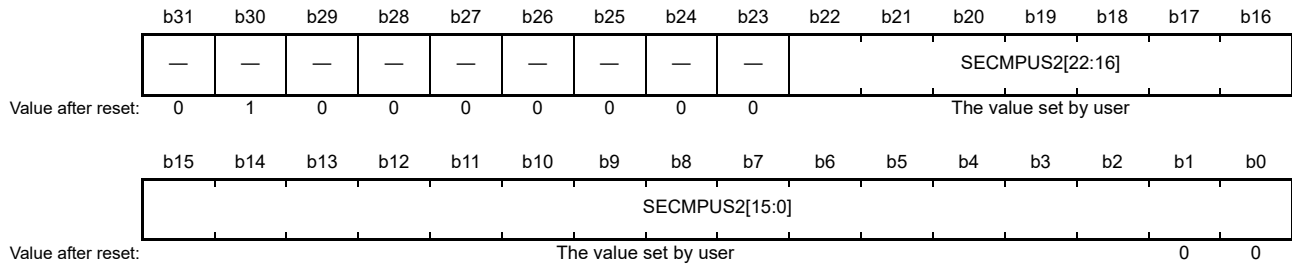
Address(es): SECMPLUS1 0000 0424h



| Bit | Symbol | Bit name | Description | R/W |
|-----------|-----------------|--------------------|---------------------------------------------------------------------------------------------------------------------------------------------------------------------------------------------------------------------------------------------------------------------------------------------------------------------------------------------------------------------|-----|
| b31 to b0 | SECMPLUS1[31:0] | Region End Address | Address where the region ends, for use in region determination. The lower 2 bits are read as 1. The value range should be 1FF0 0003h to 200F FFFFh, excluding the reserved areas. When setting this register value in the option-setting memory, the write value of the lower 2 bits should be 1, and the write value of bits [31:20] should be 1FFh or 200h. | R |

15.6.1.7 Security MPU Region 2 Start Address Register (SECMPUS2)

Address(es): SECMPUS2 0000 0428h

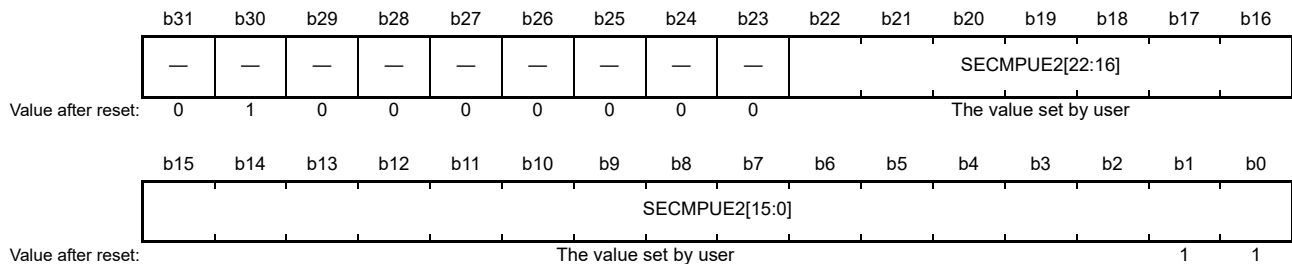


| Bit | Symbol | Bit name | Description | R/W |
|------------|----------------|----------------------|------------------------------------------------------------------------------------------------------------------------------------------------------------------------------------------------------------------------------------------------------------------------------------------------------|-----|
| b22 to b0 | SECMPUS2[22:0] | Region Start Address | Address where the region starts, for use in region determination. The lower 2 bits are read as 0. The value range should be 400C 0000h to 400D FFFCh and 4010 0000h to 407F FFFCh. When setting this register value in the option-setting memory, the write value of lower 2 bits should be 0. | R |
| b31 to b23 | — | Reserved | These bits are read as 0100 0000 0b. When setting this register value in the option-setting memory, the write value of these bits should be 0100 0000 0b. | R |

The SECMPUS2 and SECMPUE2 register specify the secure data of the security functions (400C 0000 to 400D FFFFh and 4010 0000 to 407F FFFFh). The memory space defined in the SECMPUS2 and SECMPUE2 registers can only be accessed from the secure program set up in the SECMPUPCSn and SECMPUPCEn registers.

15.6.1.8 Security MPU Region 2 End Address Register (SECMPUE2)

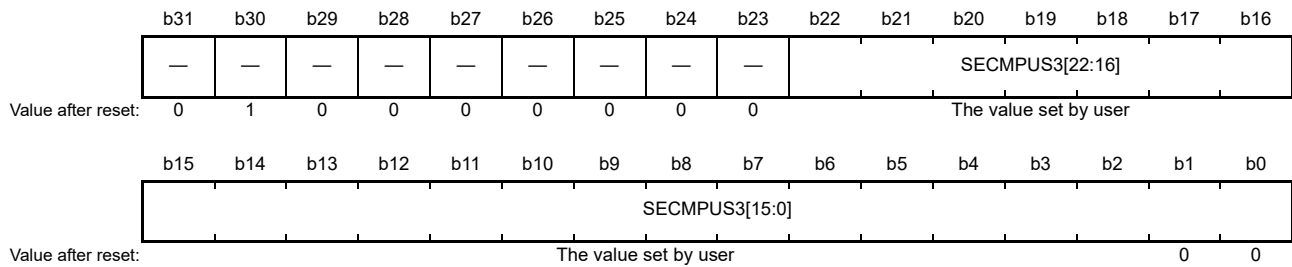
Address(es): SECMPUE2 0000 042Ch



| Bit | Symbol | Bit name | Description | R/W |
|------------|----------------|--------------------|--------------------------------------------------------------------------------------------------------------------------------------------------------------------------------------------------------------------------------------------------------------------------------------------------------|-----|
| b22 to b0 | SECMPUE2[22:0] | Region End Address | Address where the region ends, for use in region determination. The lower 2 bits are read as 1. The value range should be 400C 0003h to 400D FFFFh and 4010 0003h to 407F FFFFh. When setting this register value in the option-setting memory, the write value of the lower 2 bits should be 1. | R |
| b31 to b23 | — | Reserved | These bits are read as 0100 0000 0b. When setting this register value in the option-setting memory, the write value of these bits should be 0100 0000 0b. | R |

15.6.1.9 Security MPU Region 3 Start Address Register (SECMPUS3)

Address(es): SECMPUS3 0000 0430h

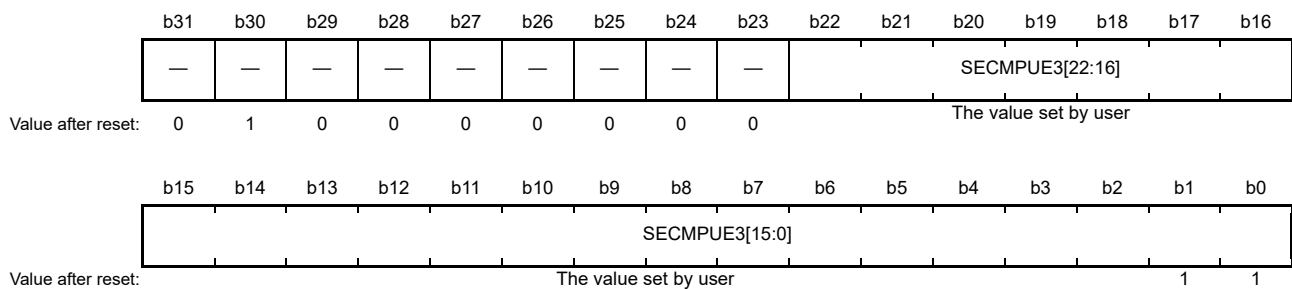


| Bit | Symbol | Bit name | Description | R/W |
|------------|----------------|----------------------|----------------------------------------------------------------------------------------------------------------------------------------------------------------------------------------------------------------------------------------------------------------------------------------------------------|-----|
| b22 to b0 | SECMPUS3[22:0] | Region Start Address | Address where the region starts, for use in region determination. The lower 2 bits are read as 0. The value range should be 400C 0000h to 400D FFFCh and 4010 0000h to 407F FFFCh. When setting this register value in the option-setting memory, the write value of the lower 2 bits should be 0. | R |
| b31 to b23 | — | Reserved | These bits are read as 0100 0000 0b. When setting this register value in the option-setting memory, the write value of these bits should be 0100 0000 0b. | R |

The SECMPUS3 and SECMPUE3 register specify the secure data of the security functions (400C 0000h to 400D FFFFh and 4010 0000h to 407F FFFFh). The memory space defined in the SECMPUS3 and SECMPUE3 registers can only be accessed from the secure program set up in the SECMPUPCSn and SECMPUPCEn registers.

15.6.1.10 Security MPU Region 3 End Address Register (SECMPUE3)

Address(es): SECMPUE3 0000 0434h



| Bit | Symbol | Bit name | Description | R/W |
|------------|----------------|--------------------|----------------------------------------------------------------------------------------------------------------------------------------------------------------------------------------------------------------------------------------------------------------------------------------------------|-----|
| b22 to b0 | SECMPUE3[22:0] | Region End Address | Address where the region ends, for use in region determination. The lower 2 bits are read as 1. The value range should be 400C 0003h to 400D FFFFh and 4010 0003h to 407F FFFFh. When setting this register value in the option-setting memory, the write value of lower 2 bits should be 1. | R |
| b31 to b23 | — | Reserved | These bits are read as 0100 0000 0b. When setting this register value in the option-setting memory, the write value of these bits should be 0100 0000 0b. | R |

15.6.1.11 Security MPU Access Control Register (SECMPUAC)

Address(es): SECMPUAC 0000 0438h

| | | | | | | | | | | | | | | | | |
|--------------------|-----|-----|-----|-----|-----|-----|-----------------------|------------|----|----|----|----|-----------------------|------|------|------|
| | b15 | b14 | b13 | b12 | b11 | b10 | b9 | b8 | b7 | b6 | b5 | b4 | b3 | b2 | b1 | b0 |
| | — | — | — | — | — | — | DISPC 1 | DISPC 0 | — | — | — | — | DIS3 | DIS2 | DIS1 | DIS0 |
| Value after reset: | 1 | 1 | 1 | 1 | 1 | 1 | The value set by user | | 1 | 1 | 1 | 1 | The value set by user | | | |

| Bit | Symbol | Bit name | Description | R/W |
|------------|--------|---------------------|------------------------------------------------------------------------------------------------------------------------------------------|-----|
| b0 | DIS0 | Region 0 Disable | 0: Security MPU Region 0 enabled 1: Security MPU Region 0 disabled. | R |
| b1 | DIS1 | Region 1 Disable | 0: Security MPU region 1 enabled 1: Security MPU region 1 disabled. | R |
| b2 | DIS2 | Region 2 Disable | 0: Security MPU region 2 enabled 1: Security MPU region 2 disabled. | R |
| b3 | DIS3 | Region 3 Disable | 0: Security MPU region 3 enabled 1: Security MPU region 3 disabled. | R |
| b7 to b4 | — | Reserved | These bits are read as 1. When setting this register value in the option-setting memory, the write value of bits [7:4] should be 1. | R |
| b8 | DISPC0 | PC Region 0 Disable | 0: Security MPU PC Region 0 enabled 1: Security MPU PC Region 0 disabled. | R |
| b9 | DISPC1 | PC Region 1 Disable | 0: Security MPU PC Region 1 enabled 1: Security MPU PC Region 1 disabled. | R |
| b15 to b10 | — | Reserved | These bits are read as 1. When setting this register value in the option-setting memory, the write value of bits [15:10] should be 1. | R |

Note: When flash memory is erased, the security MPU is disabled.

Note: To enable or disable the security MPU, see [section 15.6.2, Memory Protection](#).

DIS0 bit (Region 0 Disable)

The DIS0 bit enables or disables the security MPU region 0. If security MPU region 0 is enabled, the code flash region within the limits set up by SECMPUS0 and SECMPUE0 is secure data.

DIS1 bit (Region 1 Disable)

The DIS1 bit enables or disables the security MPU region 1. If security MPU region 1 is enabled, the SRAM region within the limits set up by SECMPUS1 and SECMPUE1 is secure data.

DIS2 bit (Region 2 Disable)

The DIS2 bit enables or disables the security MPU region 2. If security MPU region 2 is enabled, the secure data of the security function region within the limits set up by SECMPUS2 and SECMPUE2 is secure data.

DIS3 bit (Region 3 Disable)

The DIS3 bit enables or disables the security MPU region 3. If security MPU region 3 is enabled, the secure data of the security function region within the limits set up by SECMPUS3 and SECMPUE3 is secure data.

DISPC0 bit (PC Region 0 Disable)

The DISPC0 bit enables or disables the Security MPU PC region 0. If security MPU PC region 0 is enabled, the code flash or the SRAM region within the limits set up by SECMPUPCS0 and SECMPUPCE0 contains a secure program.

DISPC1 bit (PC Region 1 Disable)

The DISPC1 bit enables or disables the Security MPU PC region 1. If security MPU PC region 1 is enabled, the code flash or the SRAM region within the limits set up by SECMPUPCS1 and SECMPUPCE1 contains a secure program.

15.6.2 Memory Protection

The security MPU protects the secured regions (the code flash, the SRAM, two security functions) from being accessed by non-secure programs. If access to a protected region is detected, the access becomes invalid.

When the security MPU is enabled, DISPC0 or DISPC1 in the Security MPU Access Control Register (SECMPUAC) must be set to 0, and DIS0, DIS1, DIS2, or DIS3 in the Security MPU Access Control Register (SECMPUAC) must be set to 0. When the security MPU is disabled, all bits in DISPC0, DISPC1, DIS0, DIS1, DIS2 and DIS3 in the Security MPU Access Control Register (SECMPUAC) must be set to 1. Other settings in the Security MPU Access Control Register (SECMPUAC) are prohibited.

The security MPU provides access protection in the following conditions:

- Secure data is accessed from a non-secure program
- Secure data is accessed from other than the CPU (DMAC, DTC)
- Secure data is accessed from the debugger.

Secure data can be accessed in the following condition:

- Secure data can be accessed from a secure program.

| | | |
|-------|---------------------|------------------------------------------------------------------------------------------------------------------------------------------------------------------------------------------------------------------------------------------------------------------------------------------------------|
| Note: | Secure program: | Code flash or SRAM regions within the limits set up by SECMPUPCS0 and SECMPUPCE0, Code flash or SRAM regions within the limits set up by SECMPUPCS1 and SECMPUPCE1. |
| | Non-secure program: | All regions outside the secure program. |
| | Secure data: | Code flash region within the limits set up by SECMPUS0 and SECMPUE0, SRAM region within the limits set up by SECMPUS1 and SECMPUE1, security function region within the limits set up by SECMPUS2 and SECMPUE2, security function region within the limits set up by SECMPUS3 and SECMPUE3. |

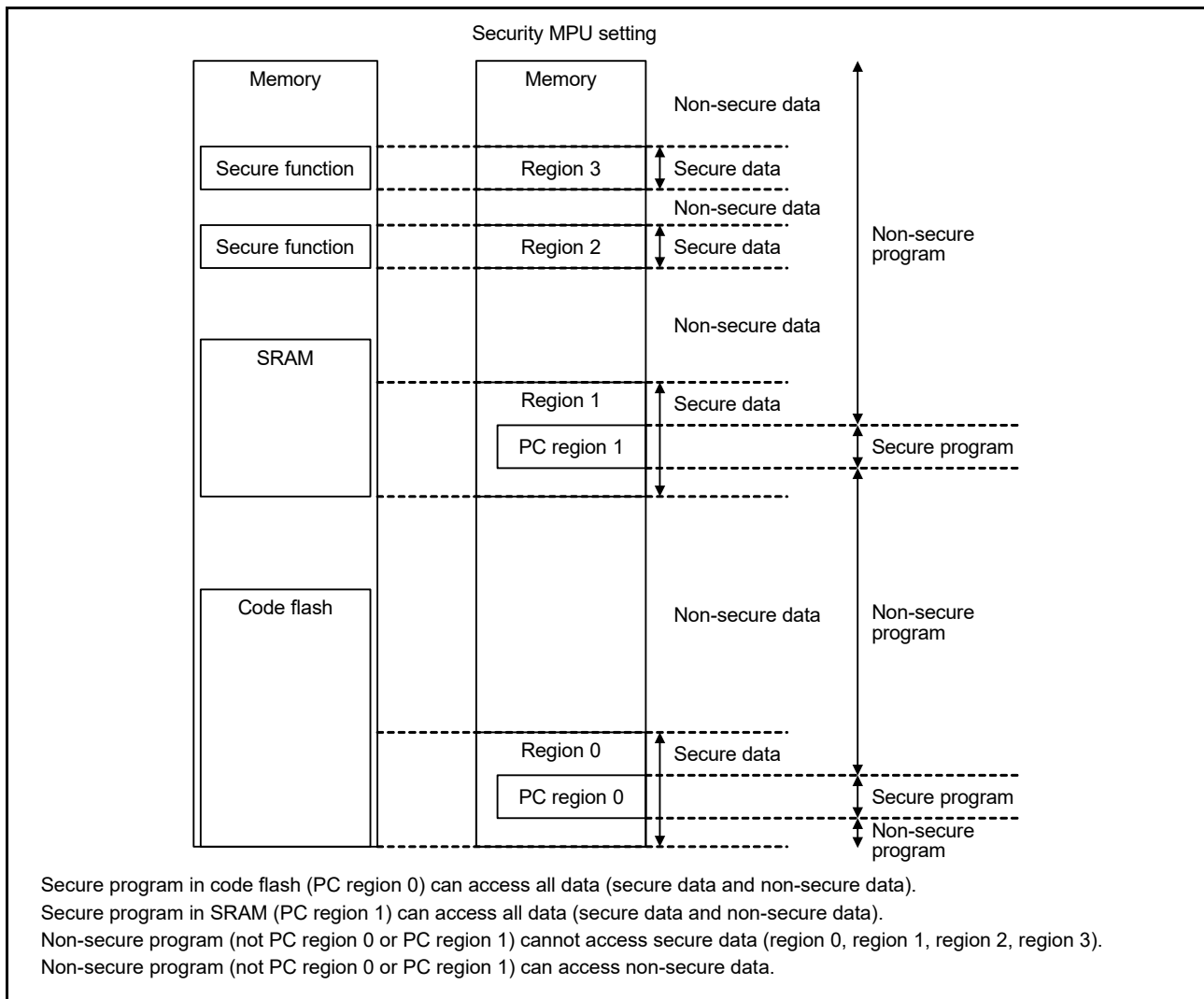


Figure 15.11 Use case of security MPU

15.6.3 Notes on Debug

The protected memory cannot be debugged if the security MPU is enabled. Disable the security MPU when debugging a secure program.

15.7 References

1. *ARM®v7-M Architecture Reference Manual* (ARM DDI 0403D)
2. *ARM® Cortex-M4 Processor Technical Reference Manual* (ARM DDI 0439D)
3. *ARM® Cortex-M4 Devices Generic User Guide* (ARM DUI 0553A).

16. DMA Controller (DMAC)

16.1 Overview

The MCU includes a 4-channel DMA Controller (DMAC) that can transfer data without intervention from the CPU. When a DMA transfer request is generated, the DMAC transfers data stored at the transfer source address to the transfer destination address.

[Table 16.1](#) lists the DMAC specifications and [Figure 16.1](#) shows the block diagram.

Table 16.1 DMAC specifications

| Parameter | | Description |
|------------------------------------------------|-------------------------------|----------------------------------------------------------------------------------------------------------------------------------------------------------------------------------------------------------------------------------------------------------------------------------------------------------------------------------------------------|
| Number of channels | | 4 channels (DMAC _m , where m = 0 to 3) |
| Transfer space | | 4 GB (0000 0000h to FFFF FFFFh excluding reserved areas) |
| Maximum transfer volume | | 64M data units (maximum number of transfers in block transfer mode: 1024 data units × 65536 blocks) |
| DMA activation source | | Selectable for each channel: <ul style="list-style-type: none"> • Software trigger • Interrupt requests from peripheral modules or trigger from external interrupt input pins.*1 |
| Channel priority | | Channel 0 > Channel 1 > Channel 2 > Channel 3 (Channel 0: highest) |
| Transfer data | Single data | Bit length: 8, 16, 32 bits |
| | Block size | Number of data: 1 to 1024 |
| Transfer mode | Normal transfer mode | <ul style="list-style-type: none"> • One data transfer by one DMA transfer request • Selectable free running mode (total number of data transfers is not specified). |
| | Repeat transfer mode | <ul style="list-style-type: none"> • One data transfer by one DMA transfer request • Program returns to the transfer start address on completion of the repeat size of data transfer specified for the transfer source or destination • Maximum settable repeat size: 1024. |
| | Block transfer mode | <ul style="list-style-type: none"> • One data block transfer by one DMA transfer request • Maximum settable block size: 1024 data. |
| Selective functions | Extended repeat area function | <ul style="list-style-type: none"> • Allows data to be transferred by repeating the address values in the specified range, with the upper bit values in the transfer address register remaining fixed • Area of 2 bytes to 128 MB individually selectable as the extended repeat area for transfer source and destination. |
| Interrupt request (DMAC _m _INT) | Transfer end interrupt | Generated on completion of transferring data volume specified by the transfer counter |
| | Transfer escape end interrupt | Generated when: <ul style="list-style-type: none"> • The repeat size of data transfer is complete • The source address of the extended repeat area overflows • The destination address of the extended repeat area overflows. |
| Event link activation (DMAC _m _INT) | | An event link request is generated after each data transfer (for block transfer, after each block is transferred) |
| Module-stop function | | Module-stop state can be set to reduce power consumption |

Note 1. For details on DMAC activation sources, see [Table 13.3](#) in [section 13, Interrupt Controller Unit \(ICU\)](#).

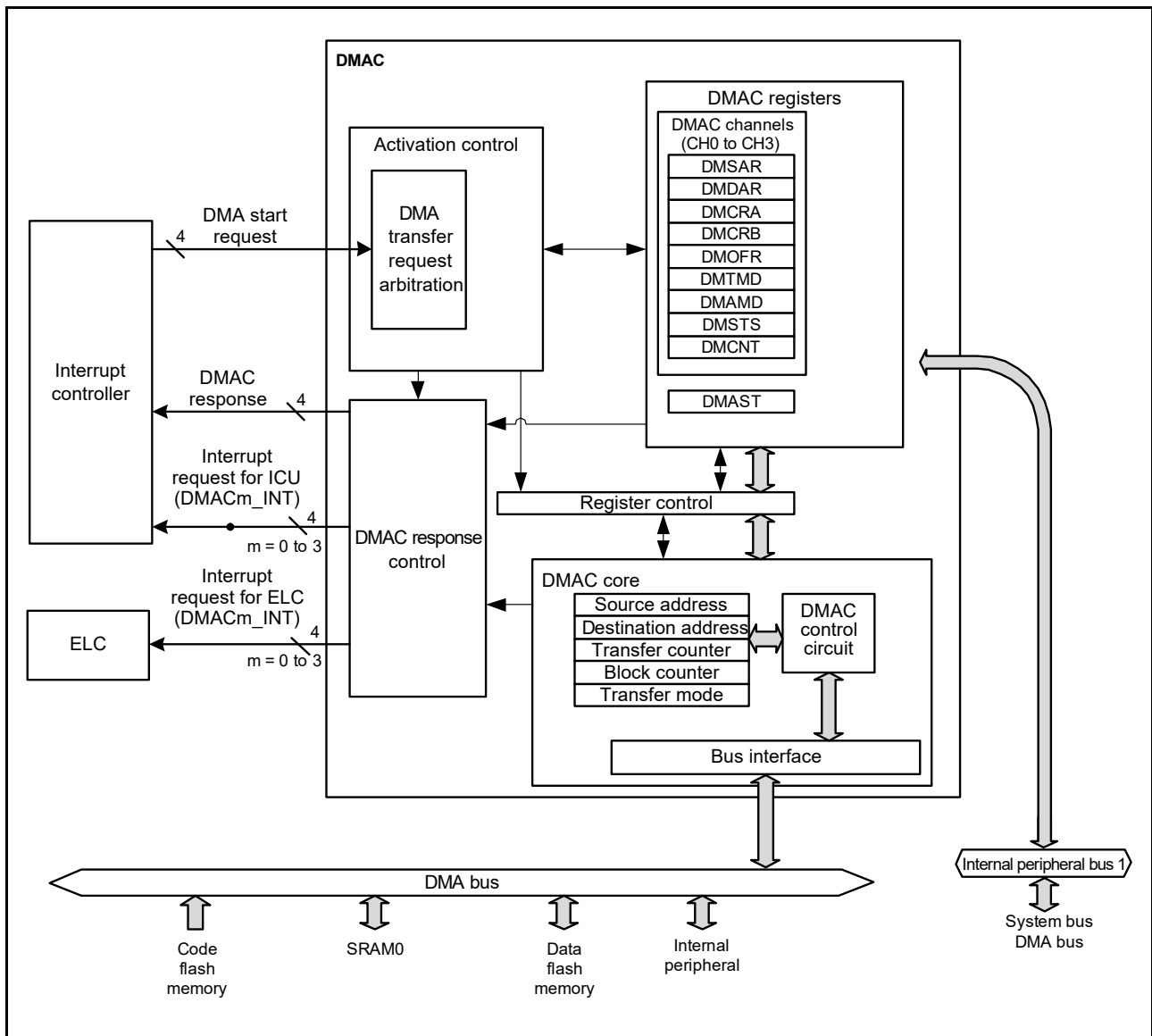
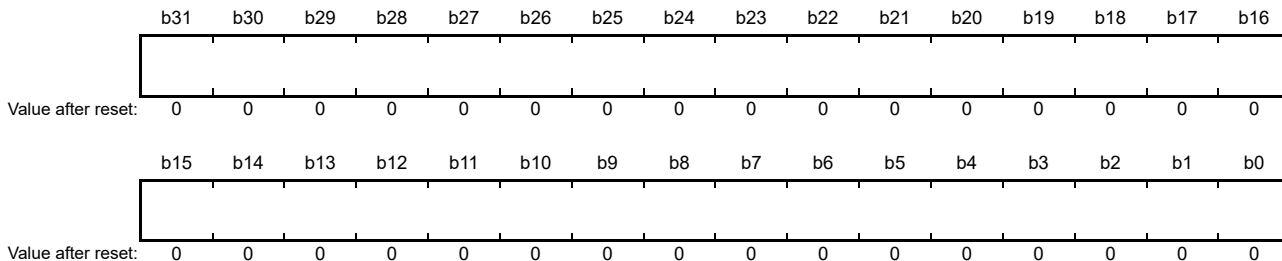


Figure 16.1 DMAC block diagram

16.2 Register Descriptions

16.2.1 DMA Source Address Register (DMSAR)

Address(es): [DMAC0.DMSAR 4000 5000h](#), [DMAC1.DMSAR 4000 5040h](#), [DMAC2.DMSAR 4000 5080h](#), [DMAC3.DMSAR 4000 50C0h](#)



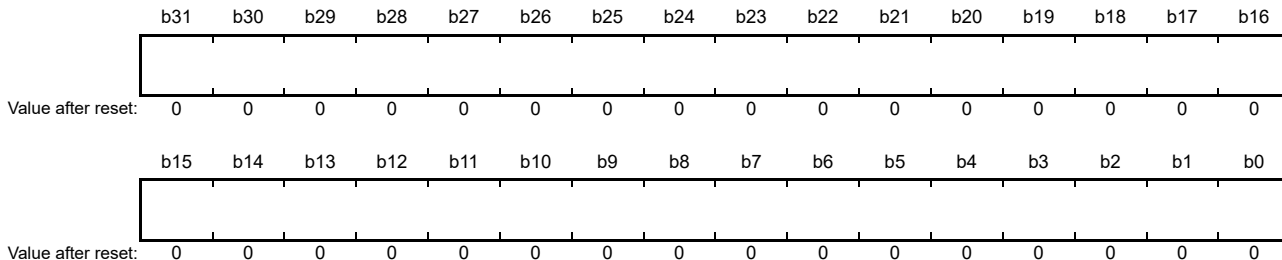
| Bit | Description | Setting range | R/W |
|-----------|---------------------------------------------|---------------------------------|-----|
| b31 to b0 | Specifies the transfer source start address | 0000 0000h to FFFF FFFFh (4 GB) | R/W |

Set DMSAR while DMAC activation is disabled (the DMST bit in DMAST = 0) or DMA transfer is disabled (the DTE bit in DMCNT = 0).

Note: Address alignment in this register must match the transfer data size value selected in the SZ bit in DMTMD.

16.2.2 DMA Destination Address Register (DMDAR)

Address(es): [DMAC0.DMDAR 4000 5004h](#), [DMAC1.DMDAR 4000 5044h](#), [DMAC2.DMDAR 4000 5084h](#), [DMAC3.DMDAR 4000 50C4h](#)



| Bit | Description | Setting range | R/W |
|-----------|--------------------------------------------------|---------------------------------|-----|
| b31 to b0 | Specifies the transfer destination start address | 0000 0000h to FFFF FFFFh (4 GB) | R/W |

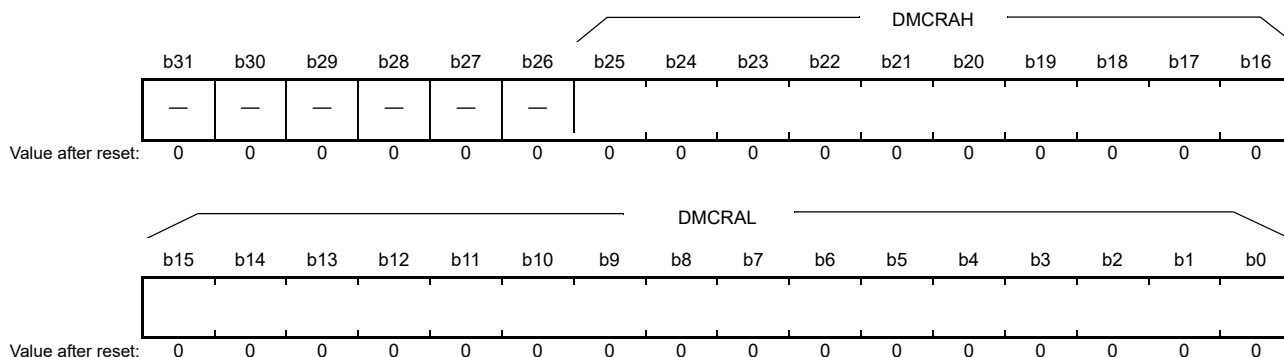
Set DMDAR while DMAC activation is disabled (the DMST bit in DMAST = 0) or DMA transfer is disabled (the DTE bit in DMCNT = 0).

Note: Address alignment in this register must match the transfer data size value selected in the SZ bit in DMTMD.

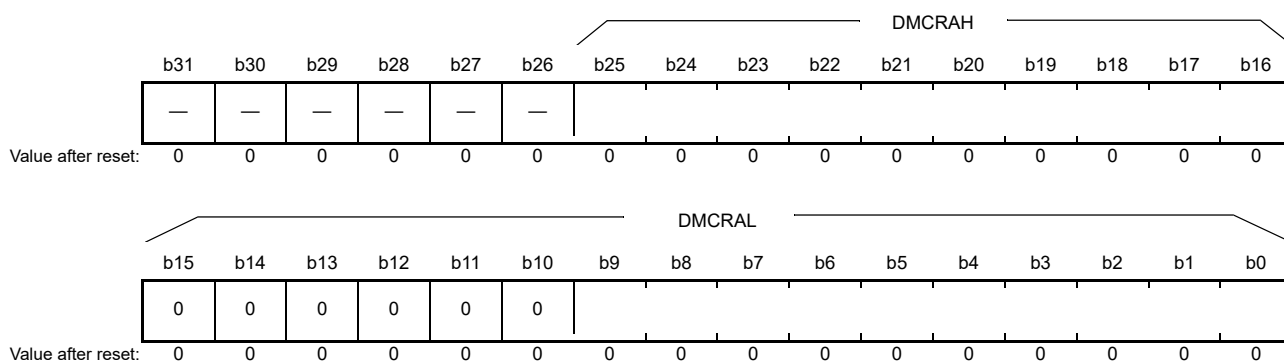
16.2.3 DMA Transfer Count Register (DMCRA)

Address(es): [DMAC0.DMCRA 4000 5008h](#), [DMAC1.DMCRA 4000 5048h](#), [DMAC2.DMCRA 4000 5088h](#), [DMAC3.DMCRA 4000 50C8h](#)

- Normal transfer mode



- Repeat transfer mode, block transfer mode



| Symbol | Bit name | Description | R/W |
|--------|------------------------------|---------------------------------------------|-----|
| DMCRAL | Lower bits of transfer count | Specifies the number of transfer operations | R/W |
| DMCRAH | Upper bits of transfer count | | R/W |

Note: In repeat and block transfer modes, set the same value for DMCRAH and DMCRAL.

(1) Normal transfer mode (MD[1:0] bits in DMACm.DMTMD = 00b)

In normal transfer mode, DMCRAL functions as a 16-bit transfer counter. The number of transfer operations is one when the setting is 0001h, and 65535 when it is FFFFh. The value is decremented by one each time data is transferred. A setting of 0000h indicates an unspecified number of transfer operations. Data transfer is performed with the transfer counter stopped, that is, in free running mode. Do not use DMCRAH in normal transfer mode. Write 0000h to DMCRAH.

(2) Repeat transfer mode (MD[1:0] bits in DMACm.DMTMD = 01b)

In repeat transfer mode, DMCRAH specifies the repeat size and DMCRAL functions as a 10-bit transfer counter. The number of transfer operations is one when the setting is 001h, 1023 when it is 3FFh, and 1024 when it is 000h. In this mode, a value in the range of 000h to 3FFh (1 to 1024) can be set for DMCRAH and DMCRAL.

Setting bits [15:10] in DMCRAL is invalid. Write 0 to these bits. The value in DMCRAL is decremented by 1 each time data is transferred until it reaches 000h, at which time the value in DMCRAH is loaded into DMCRAL.

(3) Block transfer mode (MD[1:0] bits in DMACm.DMTMD = 10b)

In block transfer mode, DMCRAH specifies the block size and DMCRAL functions as a 10-bit block size counter. The block size is one when the setting is 001h, 1023 when it is 3FFh, and 1024 when it is 000h. In this mode, a value in the range of 000h to 3FFh can be set for DMCRAH and DMCRAL.

Setting bits [15:10] in DMCRAL is invalid. Write 0 to these bits. The value in DMCRAL is decremented by 1 each time data is transferred until it reaches 000h, at which time the value in DMCRAL is loaded into DMCRAL.

16.2.4 DMA Block Transfer Count Register (DMCRB)

Address(es): [DMAC0.DMCRB 4000 500Ch](#), [DMAC1.DMCRB 4000 504Ch](#), [DMAC2.DMCRB 4000 508Ch](#), [DMAC3.DMCRB 4000 50CCh](#)



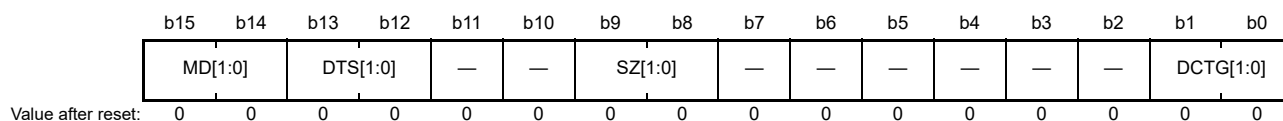
| Bit | Description | Setting range | R/W |
|-----------|----------------------------------------------------------------------|-----------------------------------------------------------------------------------------------------------|-----|
| b15 to b0 | Specifies the number of block transfer or repeat transfer operations | <ul style="list-style-type: none"> • 0001h to FFFFh (1 to 65535) • 0000h (65536). | R/W |

DMCRB specifies the number of operations in block and repeat transfer modes. The number of transfer operations is one when the setting is 0001h, 65535 when it is FFFFh, and 65536 when it is 0000h.

In repeat transfer mode, the value is decremented by 1 when the final data of one repeat size is transferred. In block transfer mode, the value is decremented by 1 when the final data of one block size is transferred. Do not use DMCRB in normal transfer mode as the setting is invalid.

16.2.5 DMA Transfer Mode Register (DMTMD)

Address(es): [DMAC0.DMTMD 4000 5010h](#), [DMAC1.DMTMD 4000 5050h](#), [DMAC2.DMTMD 4000 5090h](#), [DMAC3.DMTMD 4000 50D0h](#)



| Bit | Symbol | Bit name | Description | R/W |
|----------|---------------------------|--------------------------------|-----------------------------------------------------------------------------------------------------------------------------------------------------------------------------------------------------------------------------------|-----|
| b1, b0 | DCTG[1:0] | Transfer Request Source Select | b1 b0 0 0: Software 0 1: Interrupts*1 from peripheral modules or external interrupt input pins 1 0: Setting prohibited 1 1: Setting prohibited. | R/W |
| b7 to b2 | — | Reserved | These bits are read as 0. The write value should be 0. | R/W |
| b9, b8 | SZ[1:0] | Transfer Data Size Select | b9 b8 0 0: 8 bits 0 1: 16 bits 1 0: 32 bits 1 1: Setting prohibited. | R/W |
| b11, b10 | — | Reserved | These bits are read as 0. The write value should be 0. | R/W |
| b13, b12 | DTS[1:0] | Repeat Area Select | b13 b12 0 0: The destination is specified as the repeat area or block area 0 1: The source is specified as the repeat area or block area 1 0: The repeat area or block area is not specified 1 1: Setting prohibited. | R/W |
| b15, b14 | MD[1:0] | Transfer Mode Select | b15 b14 0 0: Normal transfer 0 1: Repeat transfer 1 0: Block transfer 1 1: Setting prohibited. | R/W |

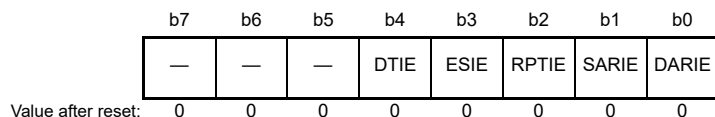
Note 1. To select the DMAC activation source, use the DELSRn registers of the ICU. For details on DMAC activation sources, see [Table 13.4, Event table](#) in [section 13, Interrupt Controller Unit \(ICU\)](#).

DTS[1:0] bits (Repeat Area Select)

The DTS[1:0] bits select either the source or destination as the repeat area in repeat transfer mode and the block area in block transfer mode. In normal transfer mode, these bit settings are invalid.

16.2.6 DMA Interrupt Setting Register (DMINT)

Address(es): DMAC0.DMINT 4000 5013h, DMAC1.DMINT 4000 5053h, DMAC2.DMINT 4000 5093h, DMAC3.DMINT 4000 50D3h



| Bit | Symbol | Bit name | Description | R/W |
|----------|--------|--------------------------------------------------------------------|-------------------------------------------------------|-----|
| b0 | DARIE | Destination Address Extended Repeat Area Overflow Interrupt Enable | 0: Disable 1: Enable. | R/W |
| b1 | SARIE | Source Address Extended Repeat Area Overflow Interrupt Enable | 0: Disable 1: Enable. | R/W |
| b2 | RPTIE | Repeat Size End Interrupt Enable | 0: Disable 1: Enable. | R/W |
| b3 | ESIE | Transfer Escape End Interrupt Enable | 0: Disable 1: Enable. | R/W |
| b4 | DTIE | Transfer End Interrupt Enable | 0: Disable 1: Enable. | R/W |
| b7 to b5 | — | Reserved | These bits are read as 0. The write value should be 0 | R/W |

DARIE bit (Destination Address Extended Repeat Area Overflow Interrupt Enable)

When an extended repeat area overflow occurs on the destination address when the DARIE bit is set to 1, the DTE bit in DMCNT sets to 0. At the same time, the ESIF flag in DMSTS sets to 1 to indicate an interrupt triggered by an extended repeat area overflow on the destination address.

When block transfer mode is used with the extended repeat area function, an interrupt occurs after completion of a 1-block size transfer. When the DTE bit is set to 1 in DMACm.DMCNT of the channel associated with the stopped transfer, the transfer resumes from the state it was in when the transfer stopped. If the extended repeat area is not specified for the destination address, this bit is ignored.

SARIE bit (Source Address Extended Repeat Area Overflow Interrupt Enable)

When an extended repeat area overflow occurs on the source address when the SARIE bit is set to 1, the DTE bit in DMCNT sets to 0. At the same time, the ESIF flag in DMSTS sets to 1 to indicate an interrupt request triggered by an extended repeat area overflow on the source address.

When block transfer mode is used with the extended repeat area function, an interrupt occurs after completion of a 1-block size transfer. When the DTE bit is set to 1 in DMACm.DMCNT of the channel associated with the stopped transfer, the transfer resumes from the state it was in when the transfer stopped. When the extended repeat area is not specified for the source address, this bit is ignored.

RPTIE bit (Repeat Size End Interrupt Enable)

When the RPTIE bit is set to 1 in repeat transfer mode, the DTE bit in DMCNT sets to 0 after completion of a 1-repeat size data transfer. At the same time, the ESIF flag in DMSTS sets to 1 to indicate that the repeat size end interrupt request occurred. The repeat size end interrupt request can be generated even when the DTS[1:0] bits in DMTMD are 10b (repeat area or block area is not specified).

When the RPTIE bit is set to 1 in block transfer mode, the DTE bit in DMCNT sets to 0 after completion of a 1-block data transfer in the same way as repeat transfer mode. At the same time, the ESIF flag in DMSTS sets to 1 to indicate that the repeat size end interrupt request occurred. The repeat size end interrupt request can be generated even when the DTS[1:0] bits in DMTMD are 10b (repeat area or block area is not specified).

ESIE bit (Transfer Escape End Interrupt Enable)

The ESIE bit enables the transfer escape end interrupt requests (repeat size end interrupt request and extended repeat area overflow interrupt request) that occur during DMA transfer. The interrupt occurs when this bit is 1 and the ESIF flag in DMSTS is set to 1. To clear the transfer escape end interrupt, clear this bit or the ESIF flag in DMSTS to 0.

DTIE bit (Transfer End Interrupt Enable)

The DTIE bit enables the transfer end interrupt request that occurs on completion of a specified number of data transfers. The interrupt occurs when this bit is 1 and the DTIF flag in DMSTS is set to 1. To clear the transfer end interrupt, clear this bit or the DTIF flag in DMSTS to 0.

16.2.7 DMA Address Mode Register (DMAMD)

Address(es): DMAC0.DMAMD 4000 5014h, DMAC1.DMAMD 4000 5054h, DMAC2.DMAMD 4000 5094h, DMAC3.DMAMD 4000 50D4h



| Bit | Symbol | Bit name | Description | R/W |
|-----------|-----------|------------------------------------------|-----------------------------------------------------------------------------------------------------------------------------------------------------------|-----|
| b4 to b0 | DARA[4:0] | Destination Address Extended Repeat Area | Specifies the extended repeat area on the destination address. For details on the settings, see Table 16.2 . | R/W |
| b5 | — | Reserved | This bit is read as 0. The write value should be 0. | R/W |
| b7, b6 | DM[1:0] | Destination Address Update Mode | b7 b6 0 0: Destination address is fixed 0 1: Offset addition 1 0: Destination address is incremented 1 1: Destination address is decremented. | R/W |
| b12 to b8 | SARA[4:0] | Source Address Extended Repeat Area | Specifies the extended repeat area on the source address. For details on the settings, see Table 16.2 . | R/W |
| b13 | — | Reserved | This bit is read as 0. The write value should be 0. | R/W |
| b15, b14 | SM[1:0] | Source Address Update Mode | b15 b14 0 0: Source address is fixed 0 1: Offset addition 1 0: Source address is incremented 1 1: Source address is decremented. | R/W |

DARA[4:0] bits (Destination Address Extended Repeat Area)

The DARA[4:0] bits specify the extended repeat area on the destination address. The extended repeat area function is realized through an update of the specified lower address bits with the remaining upper address bits fixed. The size of the extended repeat area can be any power of two between 2 bytes and 128 MB. The start address of the extended repeat area is set when the lower address overflows the extended repeat area on an address increment. Similarly, the end address of the extended repeat area is set when the lower address underflows the extended repeat area on an address decrement.

Do not specify the extended repeat area on the destination address when a repeat area or block area is specified as the transfer destination. When repeat or block transfer is selected, and when DMACm.DMTMD.DTS[1:0] = 00b (the transfer destination is specified as the repeat or block area), write 00000b in the DARA[4:0] bits.

To request an interrupt when an overflow or underflow occurs in the extended repeat area, set the DARIE bit in DMINT to 1. [Table 16.2](#) lists the extended repeat areas associated with each setting.

DM[1:0] bits (Destination Address Update Mode)

The DM[1:0] bits select the update mode for the destination address as follows:

- When increment is selected and the SZ[1:0] bits in DMTMD are set to 00b, 01b, and 10b, the destination address is incremented by 1, 2, and 4, respectively
- When decrement is selected and the SZ[1:0] bits in DMTMD are set to 00b, 01b, and 10b, the destination address is

decremented by 1, 2, and 4, respectively

- When offset addition is selected, the offset specified in the DMACm.DMOFR register is added to the address.

SARA[4:0] bits (Source Address Extended Repeat Area)

The SARA[4:0] bits specify the extended repeat area on the source address. The extended repeat area function is realized through an update of the specified lower address bits with the remaining upper address bits fixed. The size of the extended repeat area can be any power of two between 2 bytes and 128 MB. The start address of the extended repeat area is set when the lower address overflows the extended repeat area on an address increment. Similarly, the end address of the extended repeat area is set when the lower address underflows the extended repeat area on an address decrement.

Do not specify the extended repeat area on the source address when the repeat or block area is specified as a transfer source. When repeat or block transfer is selected, and when DMACm.DMTMD.DTS[1:0] = 01b (the transfer source is specified as the repeat or block area), write 00000b in the SARA[4:0] bits.

To request an interrupt when an overflow or underflow occurs in the extended repeat area, set the SARIE bit in DMINT to 1. Table 16.2 lists the extended repeat areas associated with each setting.

SM[1:0] (Source Address Update Mode)

The SM[1:0] bits select the update mode for the source address:

- When increment is selected and the SZ[1:0] bits in DMTMD are set to 00b, 01b, and 10b, the source address is incremented by 1, 2, and 4, respectively
- When decrement is selected and the SZ[1:0] bits in DMTMD are set to 00b, 01b, and 10b, the source address is decremented by 1, 2, and 4, respectively
- When offset addition is selected, the offset specified in the DMACm.DMOFR register is added to the address.

Table 16.2 SARA[4:0] or DARA[4:0] settings and corresponding repeat areas (1 of 2)

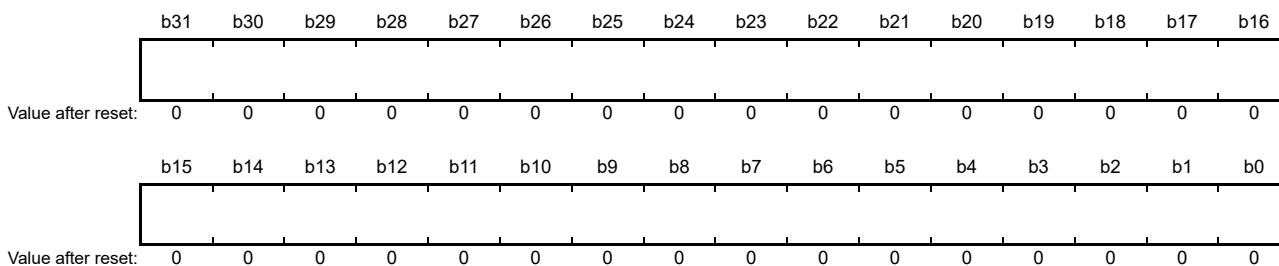
| SARA[4:0] or DARA[4:0] | Extended repeat area |
|------------------------|--------------------------------------------------------------------------------|
| 00000b | Not specified |
| 00001b | 2 bytes specified as extended repeat area by the lower 1 bit of the address |
| 00010b | 4 bytes specified as extended repeat area by the lower 2 bits of the address |
| 00011b | 8 bytes specified as extended repeat area by the lower 3 bits of the address |
| 00100b | 16 bytes specified as extended repeat area by the lower 4 bits of the address |
| 00101b | 32 bytes specified as extended repeat area by the lower 5 bits of the address |
| 00110b | 64 bytes specified as extended repeat area by the lower 6 bits of the address |
| 00111b | 128 bytes specified as extended repeat area by the lower 7 bits of the address |
| 01000b | 256 bytes specified as extended repeat area by the lower 8 bits of the address |
| 01001b | 512 bytes specified as extended repeat area by the lower 9 bits of the address |
| 01010b | 1 KB specified as extended repeat area by the lower 10 bits of the address |
| 01011b | 2 KB specified as extended repeat area by the lower 11 bits of the address |
| 01100b | 4 KB specified as extended repeat area by the lower 12 bits of the address |
| 01101b | 8 KB specified as extended repeat area by the lower 13 bits of the address |
| 01110b | 16 KB specified as extended repeat area by the lower 14 bits of the address |
| 01111b | 32 KB specified as extended repeat area by the lower 15 bits of the address |
| 10000b | 64 KB specified as extended repeat area by the lower 16 bits of the address |
| 10001b | 128 KB specified as extended repeat area by the lower 17 bits of the address |
| 10010b | 256 KB specified as extended repeat area by the lower 18 bits of the address |
| 10011b | 512 KB specified as extended repeat area by the lower 19 bits of the address |
| 10100b | 1 MB specified as extended repeat area by the lower 20 bits of the address |
| 10101b | 2 MB specified as extended repeat area by the lower 21 bits of the address |
| 10110b | 4 MB specified as extended repeat area by the lower 22 bits of the address |

Table 16.2 SARA[4:0] or DARA[4:0] settings and corresponding repeat areas (2 of 2)

| SARA[4:0] or DARA[4:0] | Extended repeat area |
|------------------------|------------------------------------------------------------------------------|
| 10111b | 8 MB specified as extended repeat area by the lower 23 bits of the address |
| 11000b | 16 MB specified as extended repeat area by the lower 24 bits of the address |
| 11001b | 32 MB specified as extended repeat area by the lower 25 bits of the address |
| 11010b | 64 MB specified as extended repeat area by the lower 26 bits of the address |
| 11011b | 128 MB specified as extended repeat area by the lower 27 bits of the address |
| 11100b to 11111b | Setting prohibited |

16.2.8 DMA Offset Register (DMOFR)

Address(es): DMAC0.DMOFR 4000 5018h, DMAC1.DMOFR 4000 5058h, DMAC2.DMOFR 4000 5098h, DMAC3.DMOFR 4000 50D8h

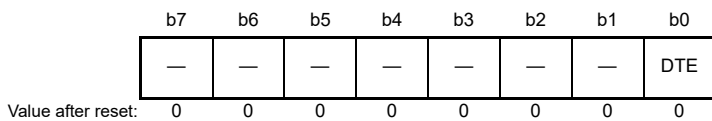


| Bit | Description | Setting range | R/W |
|-----------|---------------------------------------------------------------------------------------------------------------------|-------------------------------------------------------------------------------------------------------|-----|
| b31 to b0 | Specifies the offset when offset addition is selected as the address update mode for transfer source or destination | 0000 0000h to 00FF FFFFh (0 byte to (16 MB - 1 byte)) FF00 0000h to FFFF FFFFh (-16 MB to -1 byte) | R/W |

Only write to this register while the DMAC operation is stopped or DMA transfer is disabled, but not during data transfer. Setting bits [31:25] is invalid. The value in bit [24] is extended to bits [31:25]. Reading DMOFR returns the extended value.

16.2.9 DMA Transfer Enable Register (DMCNT)

Address(es): DMAC0.DMCNT 4000 501Ch, DMAC1.DMCNT 4000 505Ch, DMAC2.DMCNT 4000 509Ch, DMAC3.DMCNT 4000 50DCh



| Bit | Symbol | Bit name | Description | R/W |
|----------|--------|---------------------|--------------------------------------------------------|-----|
| b0 | DTE | DMA Transfer Enable | 0: Disable 1: Enable. | R/W |
| b7 to b1 | — | Reserved | These bits are read as 0. The write value should be 0. | R/W |

DTE bit (DMA Transfer Enable)

The DTE bit enables DMA transfer. To enable DMA transfer, set the DMST bit in DMAST to 1 to enable DMAC activation, and then set the DTE bit to 1 to enable DMA transfer for the associated channel.

[Setting condition]

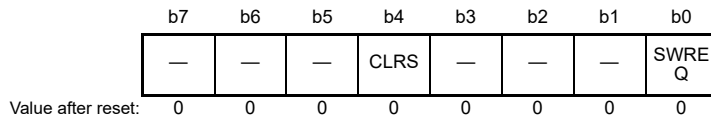
- When 1 is written to this bit.

[Clearing conditions]

- When 0 is written to this bit
- When the specified total volume of data transfer is complete
- When DMA transfer is stopped by a repeat size end interrupt
- When DMA transfer is stopped by an extended repeat area overflow interrupt.

16.2.10 DMA Software Start Register (DMREQ)

Address(es): DMAC0.DMREQ 4000 501Dh, DMAC1.DMREQ 4000 505Dh, DMAC2.DMREQ 4000 509Dh, DMAC3.DMREQ 4000 50DDh



| Bit | Symbol | Bit name | Description | R/W |
|----------|--------|------------------------------------------|---------------------------------------------------------------------------------------------------------------------------------------------|-----|
| b0 | SWREQ | DMA Software Start | 0: DMA transfer is not requested 1: DMA transfer is requested. | R/W |
| b3 to b1 | — | Reserved | These bits are read as 0. The write value should be 0. | R/W |
| b4 | CLRS | DMA Software Start Bit Auto Clear Select | 0: SWREQ bit is cleared after DMA transfer is started by software 1: SWREQ bit is not cleared after DMA transfer is started by software. | R/W |
| b7 to b5 | — | Reserved | These bits are read as 0. The write value should be 0. | R/W |

SWREQ bit (DMA Software Start)

Writing 1 to the SWREQ bit generates a DMA transfer request. After the DMA transfer starts, SWREQ sets to 0 if the CLRS bit is set to 0. SWREQ does not set to 0 if the CLRS bit is 1. The DMA transfer request can be issued again after the transfer is complete.

Note: Setting this bit is valid and DMA transfer by software is enabled only when the DCTG[1:0] bits in DMTMD are set to 00b, specifying software as the DMA activation source. Setting this bit is invalid when the DCTG[1:0] bits in DMTMD are set to any value other than 00b.

To start DMA transfer through software with the CLRS bit set to 0, ensure that the SWREQ bit is 0, and then write 1 to the SWREQ bit.

[Setting condition]

- When 1 is written to this bit.

[Clearing conditions]

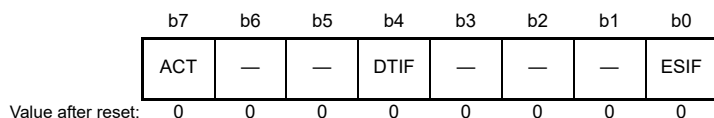
- When a DMA transfer request through software is accepted and DMA transfer is started with the CLRS bit set to 0 (the SWREQ bit is cleared after DMA transfer is started through software)
- When 0 is written to this bit.

CLRS bit (DMA Software Start Bit Auto Clear Select)

When an SWREQ setting of 1 triggers a transfer request, the CLRS bit specifies whether to clear the SWREQ bit to 0 after DMA transfer starts. When the CLRS bit is set to 0, SWREQ sets to 0 after the DMA transfer starts. When the CLRS bit is set to 1, SWREQ does not set to 0. The DMA transfer request can be issued again after the transfer is complete.

16.2.11 DMA Status Register (DMSTS)

Address(es): [DMAC0.DMSTS 4000 501Eh](#), [DMAC1.DMSTS 4000 505Eh](#), [DMAC2.DMSTS 4000 509Eh](#), [DMAC3.DMSTS 4000 50DEh](#)



| Bit | Symbol | Bit name | Description | R/W |
|----------|----------------------|------------------------------------|----------------------------------------------------------------|-------|
| b0 | ESIF | Transfer Escape End Interrupt Flag | 0: No interrupt occurred 1: Interrupt occurred. | R/W*1 |
| b3 to b1 | — | Reserved | These bits are read as 0. Writing to these bits has no effect. | R/W |
| b4 | DTIF | Transfer End Interrupt Flag | 0: No interrupt occurred 1: Interrupt occurred. | R/W*1 |
| b6, b5 | — | Reserved | These bits are read as 0. Writing to these bits has no effect. | R/W |
| b7 | ACT | DMA Active Flag | 0: DMAC operation suspended 1: DMAC operating. | R |

Note 1. Only 0 can be written to clear the flag.

[ESIF flag \(Transfer Escape End Interrupt Flag\)](#)

The ESIF flag indicates that the transfer escape end interrupt occurred.

[Setting conditions]

- In repeat transfer mode, when one repeat size data transfer completes with the RPTIE bit in DMINT set to 1
- In block transfer mode, when one block data transfer completes with the RPTIE bit in DMINT set to 1
- When an extended repeat area overflow on the source address occurs with the SARIE bit in DMINT set to 1, and the SARA[4:0] bits in DMAMD set to any value other than 00000b (extended repeat area is specified on the transfer source address)
- When an extended repeat area overflow on the destination address occurs with the DARIE bit in DMINT set to 1 and the DARA[4:0] bits in DMAMD set to any value other than 00000b (extended repeat area is specified on the transfer destination address).

[Clearing conditions]

- When 0 is written to this flag
- When 1 is written to the DTE bit in DMCNT.

[DTIF flag \(Transfer End Interrupt Flag\)](#)

The DTIF flag indicates that a transfer end interrupt occurred.

[Setting conditions]

- In normal transfer mode, when the specified number of unit transfers completes (DMCRAL value becomes 0 on completion of transfer)
- In repeat transfer mode, when the specified number of repeat transfer operations completes (DMCRB value becomes 0 on completion of transfer)
- In block transfer mode, when the specified number of blocks is transferred (DMCRB value becomes 0 on completion of transfer).

[Clearing conditions]

- When 0 is written to this flag
- When 1 is written to the DTE bit in DMCNT.

ACT flag (DMA Active Flag)

The ACT flag indicates whether the DMAC is in the idle or active state.

[Setting condition]

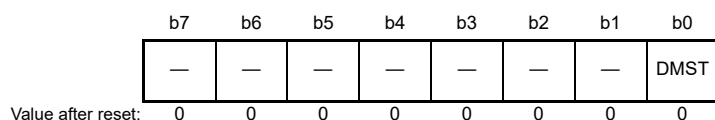
- When the DMAC starts a data transfer.

[Clearing condition]

- When the data transfer in response to one transfer request completes.

16.2.12 DMAC Module Activation Register (DMAST)

Address(es): DMA.DMAST 4000 5200h



| Bit | Symbol | Bit name | Description | R/W |
|----------|--------|-----------------------|--------------------------------------------------------|-----|
| b0 | DMST | DMAC Operation Enable | 0: Disable 1: Enable. | R/W |
| b7 to b1 | — | Reserved | These bits are read as 0. The write value should be 0. | R/W |

DMST bit (DMAC Operation Enable)

Setting the DMST bit to 1 enables DMAC activation for all channels. When the DMST bit is set to 1 (DMAC activation is enabled), and 1 is written to the DMACm.DMCNT.DTE bit (DMA transfer is enabled) for multiple channels, all of the associated channels can be placed in the transfer request ready state at the same time.

When the DMST bit sets to 0 during DMA transfer, the DMA transfer is suspended after the current data transfer associated with a single transfer request is complete. To resume the DMA transfer, set the DMST bit to 1 again.

[Setting condition]

- When 1 is written to this bit.

[Clearing condition]

- When 0 is written to this bit.

16.3 Operation**16.3.1 Transfer Mode****(1) Normal transfer mode**

In normal transfer mode, one data unit is transferred for one transfer request. You can specify the number of transfer operations, up to a maximum of 65535, in DMACm.DMCRAL. When these bits are set to 0000h, no number of operations is specified and data transfer is performed with the transfer counter stopped (free running mode). A transfer end interrupt request can be generated after completion of the specified number of transfer operations, except when in free running mode. Setting DMACm.DMCRB is invalid in normal transfer mode.

Table 16.3 summarizes the register update operation in normal transfer mode.

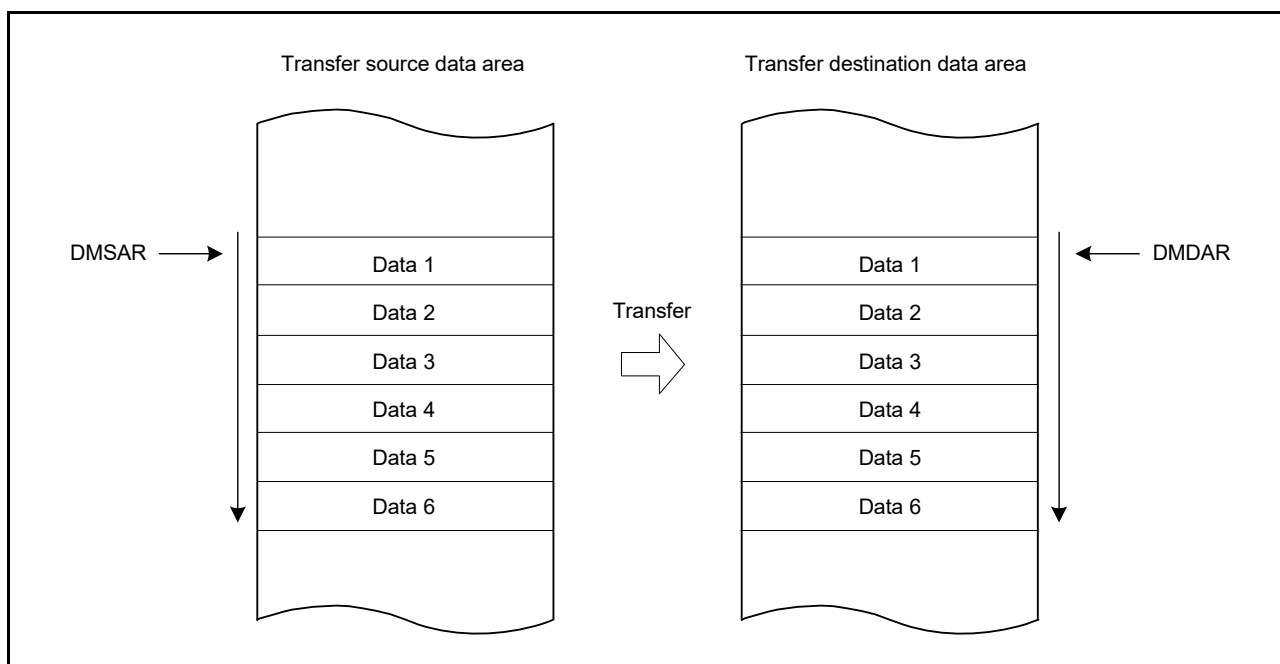
Table 16.3 Register update operation in normal transfer mode (1 of 2)

| Register | Function | Update operation after completion of a transfer for one transfer request |
|-------------|------------------------------|--------------------------------------------------------------------------|
| DMACm.DMSAR | Transfer source address | Increment, decrement, fixed, or offset addition |
| DMACm.DMDAR | Transfer destination address | Increment, decrement, fixed, or offset addition |

Table 16.3 Register update operation in normal transfer mode (2 of 2)

| Register | Function | Update operation after completion of a transfer for one transfer request |
|--------------|----------------|--------------------------------------------------------------------------|
| DMACm.DMCRAL | Transfer count | Decremented by 1 or not updated (in free running mode) |
| DMACm.DMCRAH | - | Not updated (not used in normal transfer mode) |
| DMACm.DMCRB | - | Not updated (not used in normal transfer mode) |

Figure 16.2 shows the operation in normal transfer mode.

**Figure 16.2 Operation in normal transfer mode**

(2) Repeat transfer mode

In repeat transfer mode, one data unit is transferred for one transfer request.

The repeat transfer size, up to a maximum of 1K data units, is set in DMACm.DMCRA. The number of repeat transfers, up to a maximum number of 64K, is set in DMACm.DMCRB. The total data transfer size can be set to a maximum of 64M data units (1K data units × 64K repeat transfers).

You can specify either the transfer source or destination as a repeat area. When transfer of the repeat size data is complete, the address of the specified repeat area (DMSAR or DMDAR in DMACm) returns to the transfer start address. In this mode, when all data of the specified repeat size is transferred, the DMA transfer can be stopped and a repeat size end interrupt can be requested. To resume DMA transfer, write 1 to the DTE bit in DMACm.DMCNT during repeat size end interrupt handling.

A transfer end interrupt request can be generated after completion of the specified number of repeat transfers.

Table 16.4 summarizes the register update operation in repeat transfer mode, and Figure 16.3 shows the operation in repeat transfer mode.

Table 16.4 Register update operation in repeat transfer mode

| Register | Function | Update operation after completion of a transfer for one transfer request | |
|--------------|-------------------------------------|--------------------------------------------------------------------------|------------------------------------------------------------------------------------------------------------------------------------------------------------------------------------------------------------------------------------------------------------------------------------------------|
| | | When DMACm.DMCRAL is not 1 | When DMACm.DMCRAL is 1 (transfer of the last repeat size data unit) |
| DMACm.DMSAR | Transfer source address | Increment/decrement/offset addition | <ul style="list-style-type: none"> DMACm.DMTMD.DTS[1:0] = 00b Increment, decrement, fixed, or offset addition DMACm.DMTMD.DTS[1:0] = 01b Initial value of DMACm.DMSAR DMACm.DMTMD.DTS[1:0] = 10b Increment, decrement, fixed, or offset addition. |
| DMACm.DMDAR | Transfer destination address | Increment/decrement/offset addition | <ul style="list-style-type: none"> DMACm.DMTMD.DTS[1:0] = 00b Initial value of DMACm.DMDAR DMACm.DMTMD.DTS[1:0] = 01b Increment, decrement, fixed, offset addition DMACm.DMTMD.DTS[1:0] = 10b Increment, decrement, fixed, or offset addition. |
| DMACm.DMCRAH | Repeat size | Not updated | Not updated |
| DMACm.DMCRAL | Transfer count | Decrement by 1 | DMACm.DMCRAH |
| DMACm.DMCRB | Count of repeat transfer operations | Not updated | Decrement by 1 |

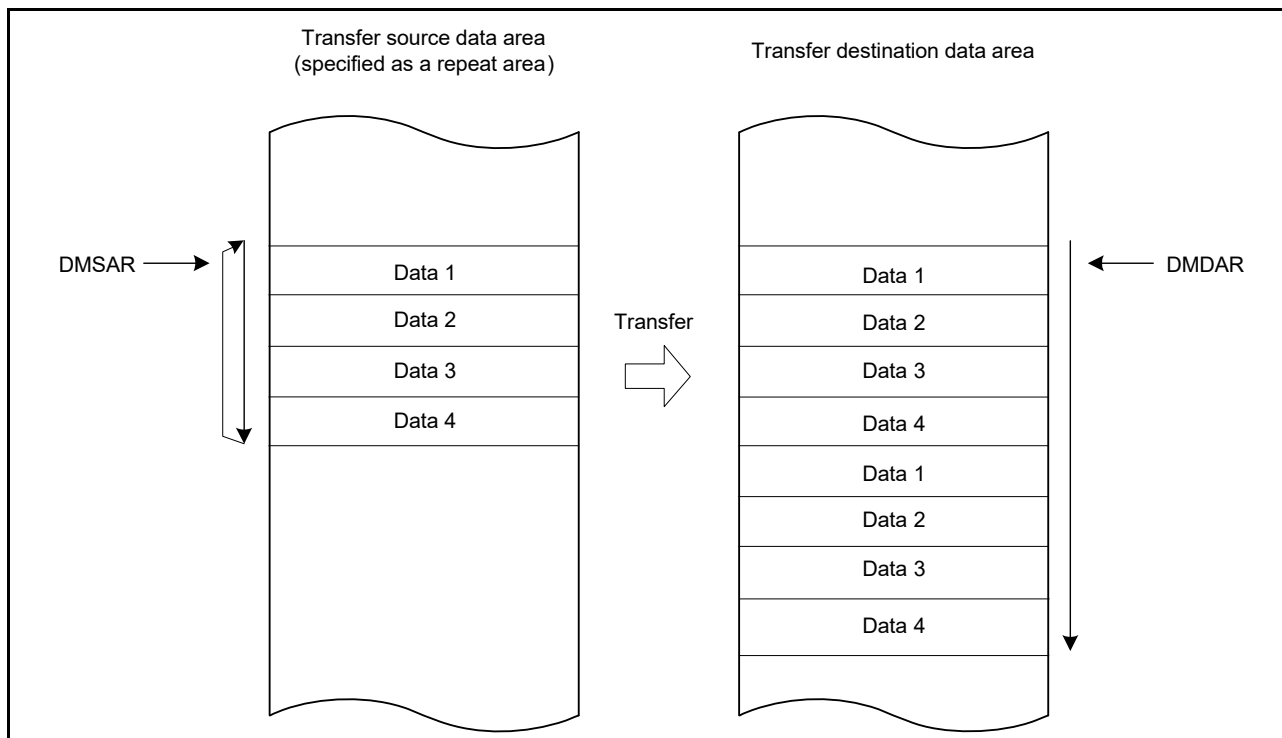


Figure 16.3 Operation in repeat transfer mode

(3) Block transfer mode

In block transfer mode, a single data block is transferred for one transfer request. The block transfer size, up to a maximum of 1K data units, is set in DMACm.DMCRA. The number of block transfers, up to a maximum of 64K, is set in DMACm.DMCRB. A total data transfer size up to a maximum of 64M data units (1K data units × 64K block transfers) can be set.

You can specify either the transfer source or destination as a block area. When transfer of a single data block is complete, the address of the specified block area (DMSAR or DMDAR in DMACm) returns to the transfer start address. In this mode, when all data in a single block is transferred, you can stop DMA transfer and request a repeat size end interrupt. To resume DMA transfer, write 1 to the DTE bit in DMACm.DMCNT during repeat size end interrupt handling.

A transfer end interrupt request can be generated after completion of the specified number of block transfers. Table 16.5 summarizes the register update operation in block transfer mode, and Figure 16.4 shows the operation in block transfer mode.

Table 16.5 Register update operation in block transfer mode

| Register | Function | Update operation after completion of single-block transfer for one transfer request |
|--------------|------------------------------------|------------------------------------------------------------------------------------------------------------------------------------------------------------------------------------------------------------------------------------------------------------------------------------------------|
| DMACm.DMSAR | Transfer source address | <ul style="list-style-type: none"> DMACm.DMTMD.DTS[1:0] = 00b Increment, decrement, fixed, or offset addition DMACm.DMTMD.DTS[1:0] = 01b Initial value of DMACm.DMSAR DMACm.DMTMD.DTS[1:0] = 10b Increment, decrement, fixed, or offset addition. |
| DMACm.DMDAR | Transfer destination address | <ul style="list-style-type: none"> DMACm.DMTMD.DTS[1:0] = 00b Initial value of DMACm.DMDAR DMACm.DMTMD.DTS[1:0] = 01b Increment, decrement, fixed, or offset addition DMACm.DMTMD.DTS[1:0] = 10b Increment, decrement, fixed, or offset addition. |
| DMACm.DMCRAH | Block size | Not updated |
| DMACm.DMCRAL | Transfer count | DMACm.DMCRAH |
| DMACm.DMCRB | Count of block transfer operations | Decremented by 1 |

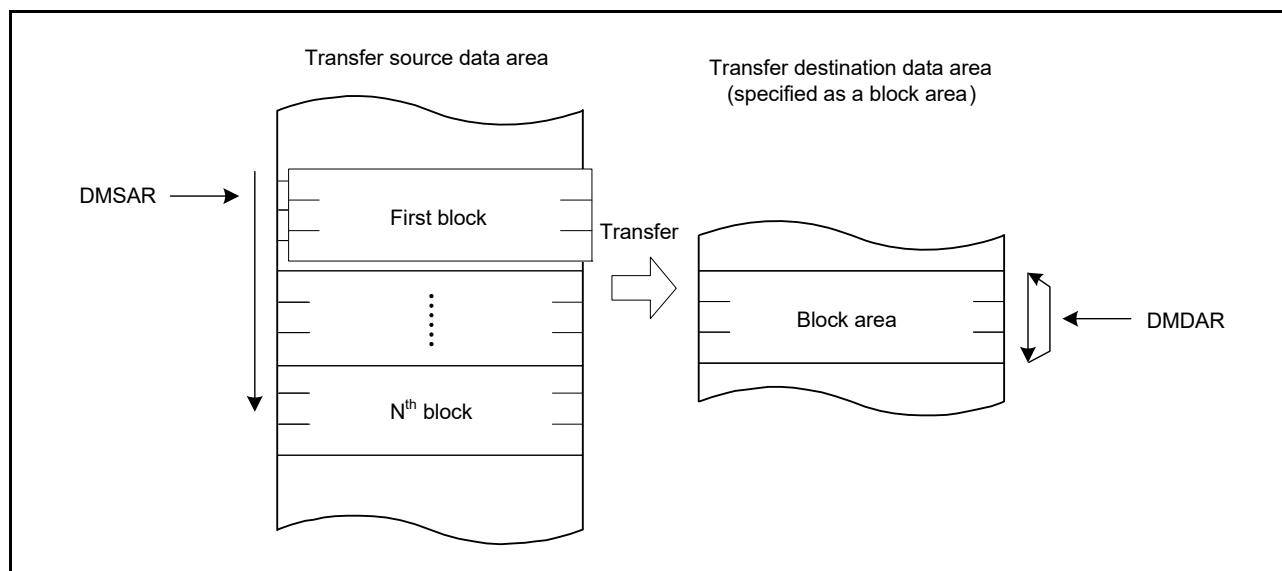


Figure 16.4 Operation in block transfer mode

16.3.2 Extended Repeat Area Function

The DMAC supports extended repeat areas on the transfer source and destination addresses, specified separately in the DMA Source Address Register (DMSAR) and DMA Destination Address Register (DMDAR) of DMACm. When this function is set, the address registers repeatedly indicate the addresses of the specified extended repeat areas. The extended repeat area on the source address is specified in the SARA[4:0] bits in DMACm.DMAMD.

The extended repeat area on the destination address is specified in the DARA[4:0] bits in DMACm.DMAMD. You can specify different sizes for the source and destination. However, you must not specify a transfer source or destination that is set as the repeat or block area as the extended repeat area.

When the address register value reaches the end address of the extended repeat area and the extended repeat area overflows, DMA transfer is stopped and an extended repeat area overflow interrupt can be requested. When an overflow occurs in the extended repeat area on the transfer source while the SARIE bit in DMACm.DMINT is set to 1, the ESIF flag in DMACm.DMSTS is set to 1 and the DTE bit in DMACm.DMCNT sets to 0 to stop DMA transfer. At this point, if the ESIE bit in DMACm.DMINT is set to 1, an interrupt by an extended repeat area overflow is requested. When the DARIE bit in DMINT of DMACm is set to 1, the destination address register becomes a target for the function. To resume DMA transfer, write 1 to the DTE bit in DMACm.DMCNT during interrupt handling.

Figure 16.5 shows an example of the extended repeat area operation.

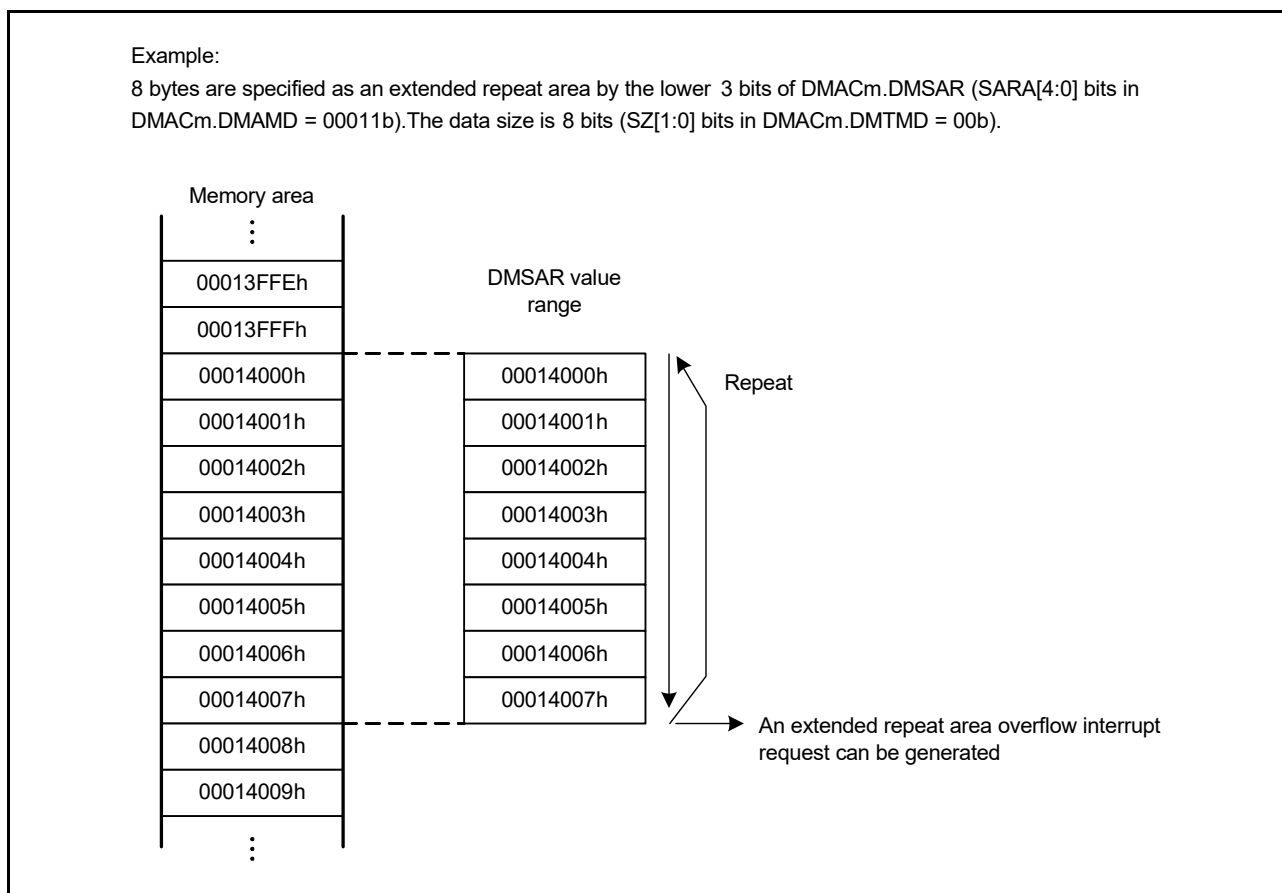


Figure 16.5 Example of extended repeat area operation

When using extended repeat area overflow interrupts in block transfer mode, consider the following points:

- When a transfer is stopped by an extended repeat area overflow interrupt, the address register must be set so that the block size is a power of 2 or the block size boundary is aligned with the extended repeat area boundary. When an overflow on the extended repeat area occurs during a transfer of one block, the overflow interrupt is suspended until transfer of the block is complete, and the transfer overruns.

Figure 16.6 shows an example of using the extended repeat area function in block transfer mode.

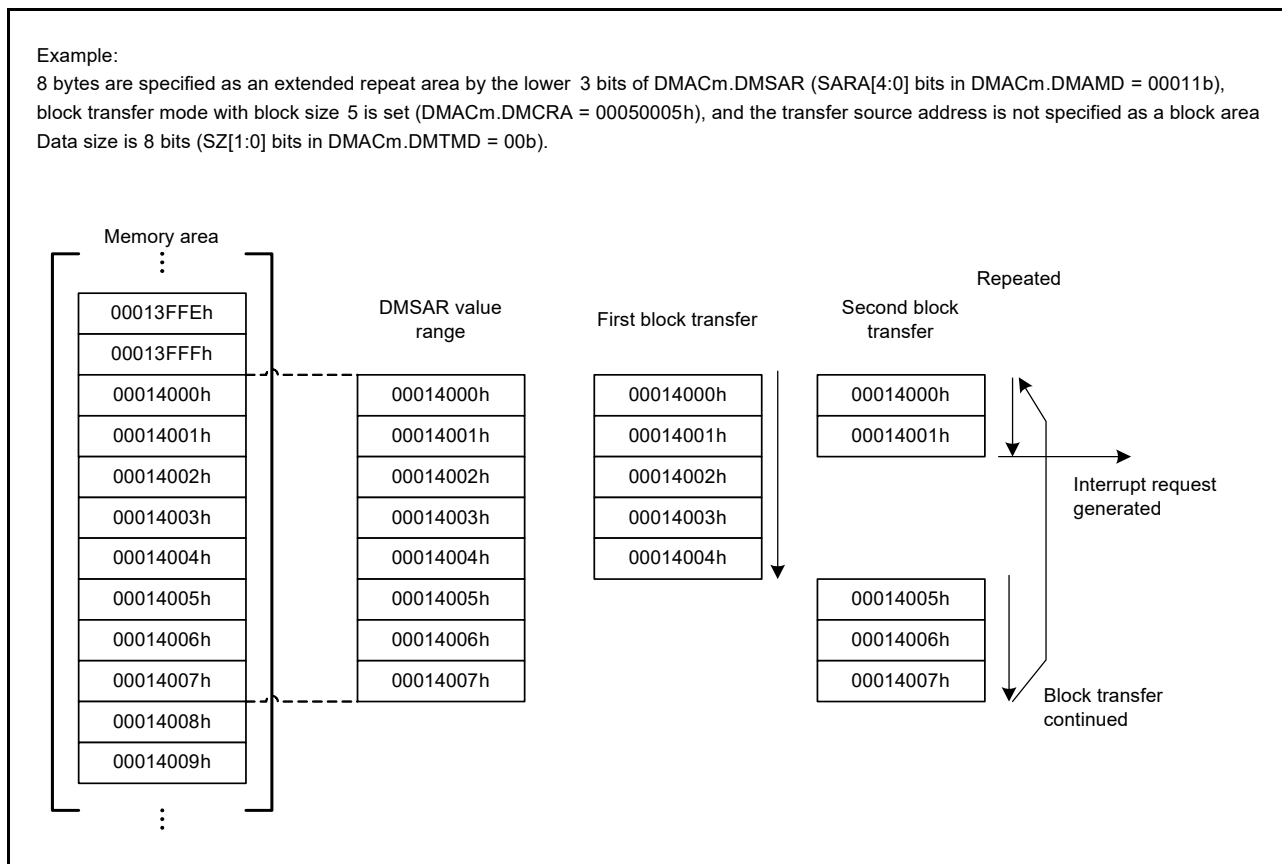


Figure 16.6 Example of extended repeat area function in block transfer mode

16.3.3 Address Update Function Using Offset

The source and destination addresses can be updated by fixing, incrementing, decrementing, or adding an offset. When offset addition is selected, the offset specified in the DMA Offset Register (DMACm.DMOFR) is added to the address every time the DMAC performs one data transfer. This function performs a data transfer when addresses are allocated to separated areas. You can also subtract an offset by setting a negative value in DMACm.DMOFR. The negative value must be in two's complement.

Table 16.6 shows the address update method in each address update mode.

Table 16.6 Address update method in each address update mode

| Address update mode | Settings of DMACm.DMAMD.SM[1:0] and DMACm.DMAMD.DM[1:0] for address update modes | Address update method for different SZ[1:0] settings in DMACm.DMTMD | | |
|---------------------|----------------------------------------------------------------------------------|---------------------------------------------------------------------|---------------|---------------|
| | | SZ[1:0] = 00b | SZ[1:0] = 01b | SZ[1:0] = 10b |
| Address fixed | 00b | Fixed | | |
| Offset addition | 01b | +DMACm.DMOFR*1 | | |
| Increment | 10b | +1 | +2 | +4 |
| Decrement | 11b | -1 | -2 | -4 |

Note 1. When setting a negative value in the DMA Offset Register, the value must be two's complement, obtained by the following formula:
 Two's complement of a negative offset value = ~ (offset) + 1 (~: bit inversion)

(1) Basic transfer using offset addition

Figure 16.7 shows an example of address updating using offset addition.

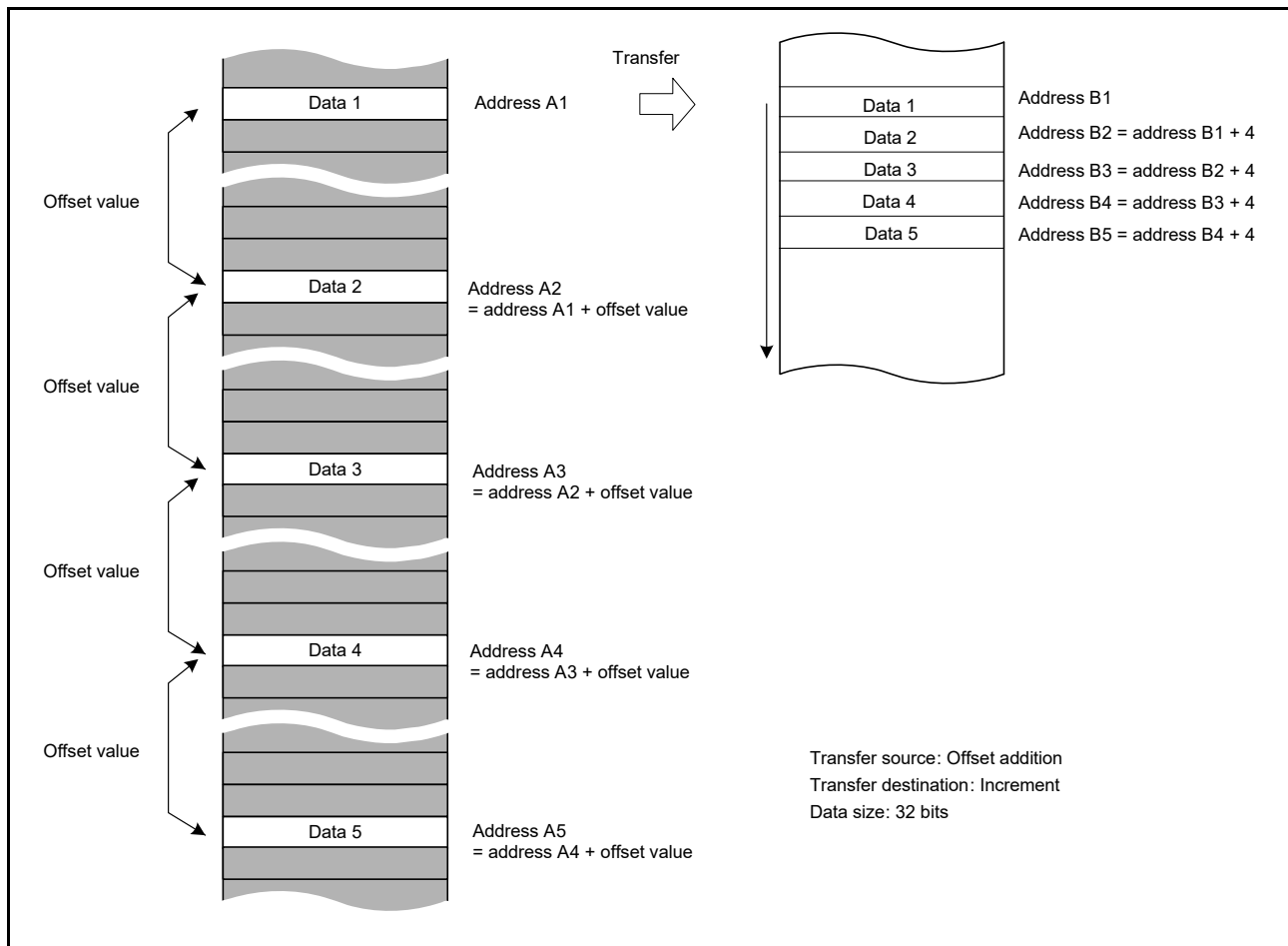


Figure 16.7 Example of address updating through offset addition

In Figure 16.7:

- The transfer data is 32 bits long
- Offset addition is set as the transfer source address update mode
- Increment is set as the transfer destination address update mode.

The second and subsequent data units are each read from the source address obtained by adding the offset value to the previous address. The data read from the addresses at the specified intervals is written to continuous locations on the destination.

(2) Example of XY conversion using offset addition

Figure 16.8 shows the XY conversion using offset addition in repeat transfer mode. The settings are as follows:

- DMAC0.DMAMD — Transfer source address update mode: offset addition
- DMAC0.DMAMD — Transfer destination address update mode: destination address is incremented
- DMAC0.DMTMD — Transfer data size select: 32 bits
- DMAC0.DMTMD — Transfer mode select: repeat transfer
- DMAC0.DMTMD — Repeat area select: the source is specified as the repeat area
- DMAC0.DMOFR — Offset address: 10h
- DMAC0.DMCRA — Repeat size: 4h

- DMAC0.DMINT — The repeat size end interrupt is enabled.

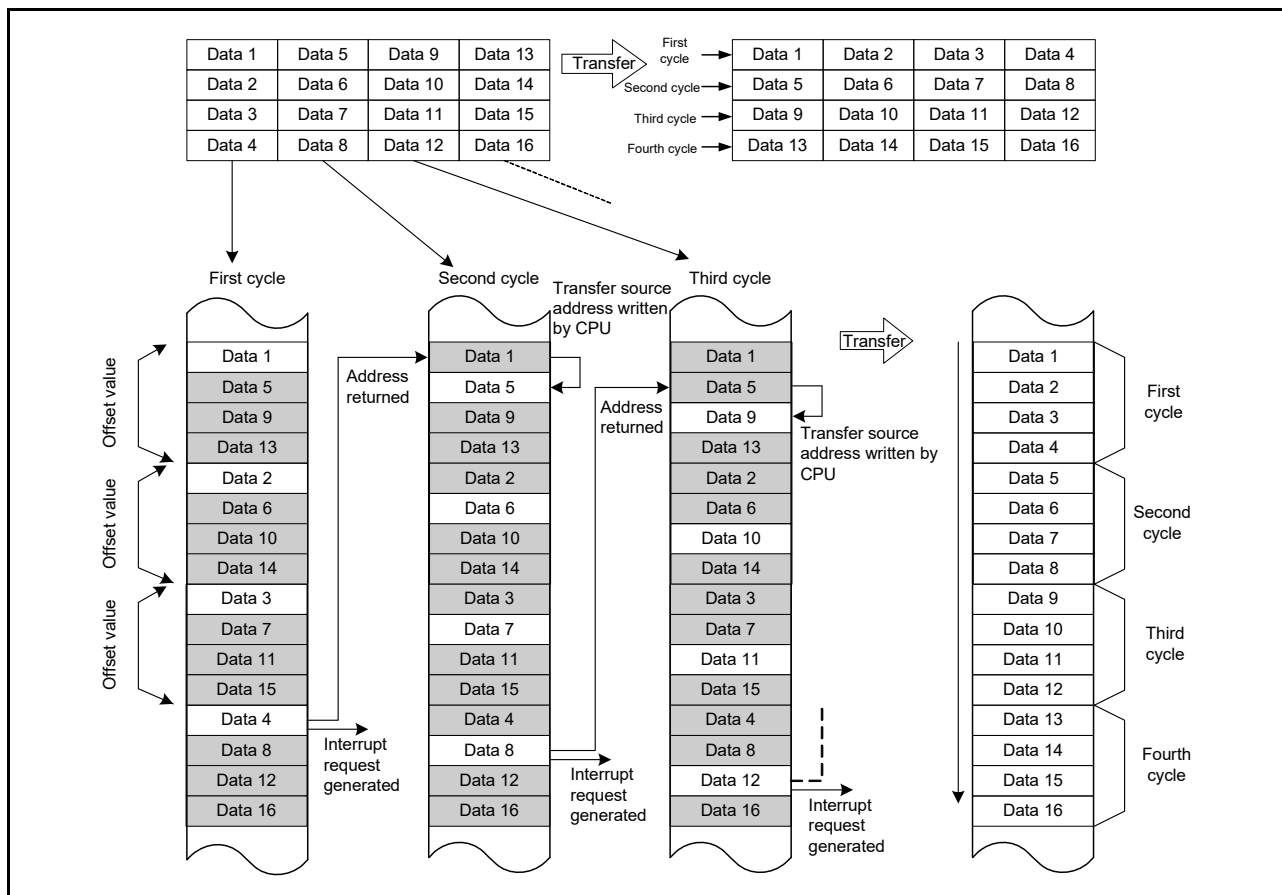


Figure 16.8 XY conversion operation using offset addition in repeat transfer mode

When a transfer starts, the offset value is added to the transfer source address every time data is transferred. The transfer data is written to continuous destination addresses. When data 4 is transferred:

- The repeat size of the transfers is complete
- The transfer source address returns to the transfer start address (the address of data 1 on the transfer source)
- A repeat size end interrupt is requested.

During the time this interrupt pauses the transfer, perform the following:

- DMAC0.DMSAR — Rewrite the DMA transfer source address to the address of data 5 (in this example, the data 1 address + 4)
- DMAC0.DMCNT — Set the DTE bit to 1.

The DMA transfer resumes from the state when the DMA transfer was stopped. The same operations are repeated until the transfer source data is transposed to the destination area (XY conversion).

Figure 16.9 shows a flow of the XY conversion.



Figure 16.9 XY conversion flow using offset addition in repeat transfer mode

16.3.4 Activation Sources

Software, the interrupt requests from the peripheral modules, and external interrupt requests can all be specified as DMAC activation sources. Set the DCTG[1:0] bits in DMACm.DMTMD to select the activation source.

(1) DMAC activation by software

To start DMA transfer through software:

1. Set the DCTG[1:0] bits in DMACm.DMTMD to 00b.
2. Set the DTE bit in DMACm.DMCNT to 1 (enable DMA transfer).
3. Set the DMST bit in DMAST to 1 (enable DMAC activation).
4. Set the SWREQ bit in DMACm.DMREQ to 1 (request DMA).

When the DMAC is activated by software while the CLRS bit in DMACm.DMREQ is 0, the SWREQ bit in DMACm.DMREQ sets to 0 after data transfer starts in response to a DMA transfer request.

When the DMAC is activated by software while the CLRS bit is 1, SWREQ does not set to 0 after data transfer starts. A DMA transfer request is issued again after completion of a transfer.

(2) DMAC activation through interrupt requests from on-chip peripheral modules or external interrupt requests

You can specify interrupt requests from on-chip peripheral modules and external interrupt requests as DMAC activation sources. The activation source can be individually selected for each channel in ICU.DELSRn.DELS[7:0] (n = 0 to 3).

To start DMAC transfer through an interrupt request from an on-chip peripheral module or an external interrupt request:

1. Set the DCTG[1:0] bits in DMACm.DMTMD to 01b (select interrupts from the peripheral modules and the external interrupt pins).
2. Set the DTE bit in DMACm.DMCNT to 1 (enable DMA transfer).
3. Set ICU.DELSRn.DSEL to the event number (select the DMAC event link).
4. Set the DMST bit in DMAST to 1 (enable DMAC activation).

For interrupt requests specified as DMAC activation sources, see [Table 13.3](#), Interrupt Vector Table in [section 13](#), [Interrupt Controller Unit \(ICU\)](#).

16.3.5 Operation Timing

The following timing diagrams show the minimum number of execution cycles.

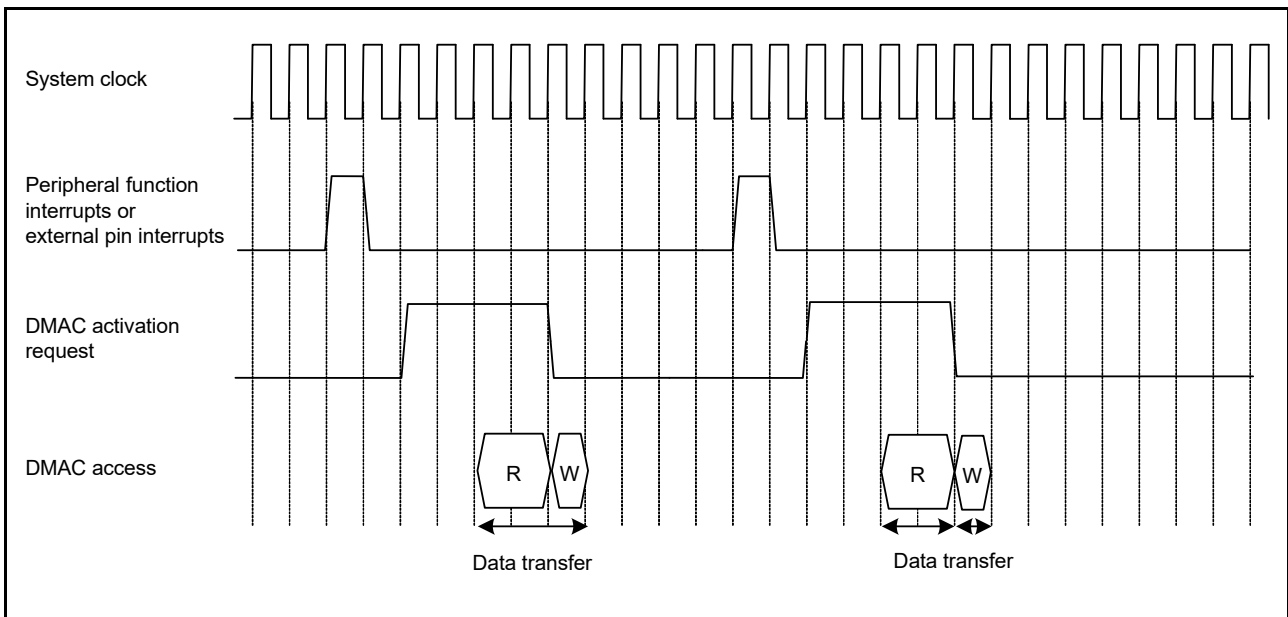


Figure 16.10 DMAC operation timing example 1 with DMA activation by interrupt from peripheral module or external interrupt input pin, in normal transfer mode or repeat transfer mode

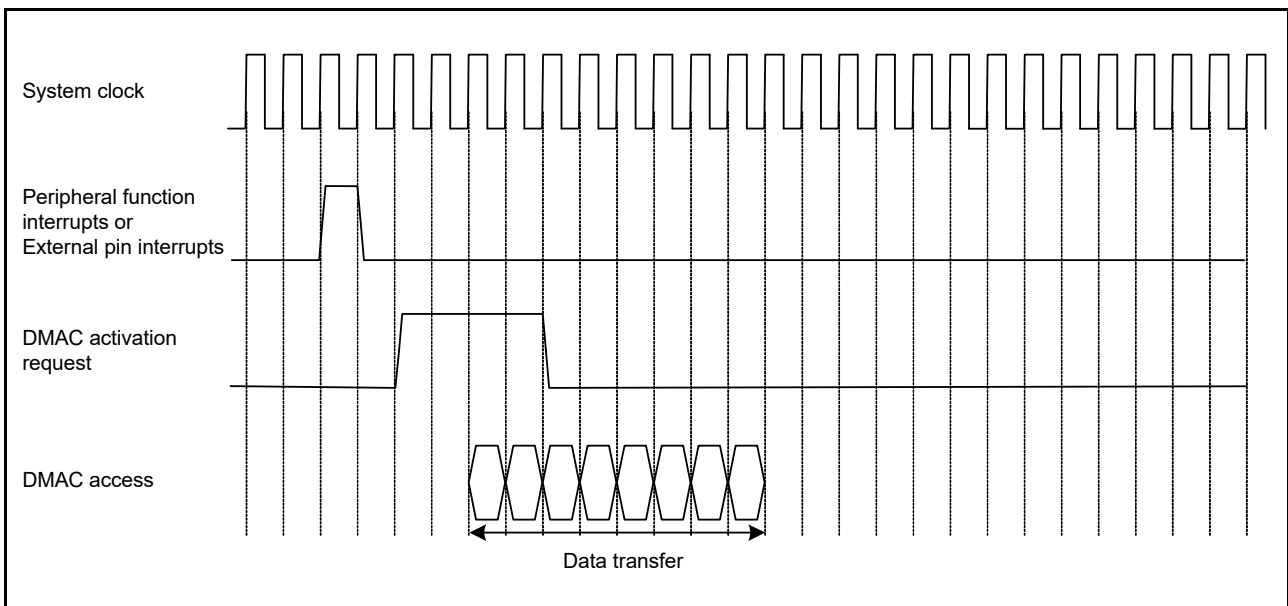


Figure 16.11 DMAC operation timing example 2 with DMA activation by interrupt from peripheral module or external interrupt input pin, in block transfer mode with block size = 4

16.3.6 Execution Cycles of DMAC

Table 16.7 lists the execution cycles in one DMAC data transfer operation.

Table 16.7 DMAC execution cycles

| Transfer mode | Data transfer (read) | Data transfer (write) |
|---------------|----------------------|-----------------------|
| Normal | Cr+1 | Cw |
| Repeat | Cr+1 | Cw |
| Block*1 | P × Cr | P × Cw |

Note: P = Block size (DMCRAH register setting).

Cr = Read destination access cycle.

Cw = Data write destination access cycle.

Note 1. This is the case when the block size is 2 or more. When the block size is 1, normal transfer cycle applies.

Cr and Cw depend on the access destination. For the number of cycles for each access destination, see [section 43, SRAM](#), [section 44, Flash Memory](#), and [section 14, Buses](#). The frequency ratio of the system clock and the peripheral clock is also taken into consideration.

The unit for +1 in the data transfer (read) column is 1 system clock cycle, ICLK. For the operation example, see [section 16.3.5, Operation Timing](#).

The DMAC response time is the time from when the DMAC activation source is detected until the DMAC transfer starts. [Table 16.7](#) does not include the time until the DMAC data transfer starts after the DMAC activation source becomes active.

16.3.7 Activating DMAC

[Figure 16.12](#) shows the register setting procedure.

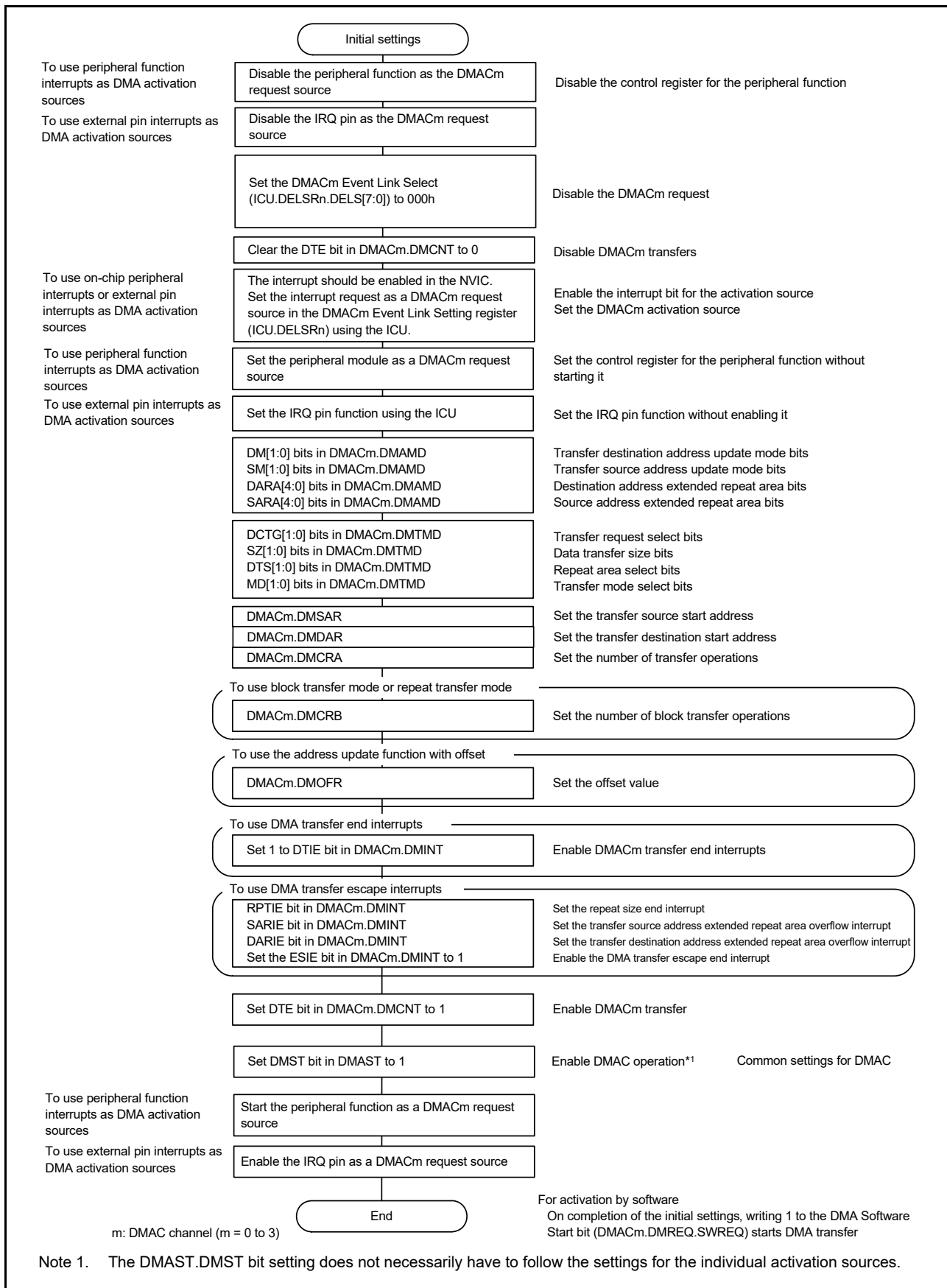


Figure 16.12 Register setting procedure

16.3.8 Starting DMA Transfer

To enable a DMA transfer of channel *m*, set the DTE bit in DMACm.DMCNT to 1 (DMA transfer enabled) and set the DMST bit in DMAST to 1 (DMAC start enabled). New activation requests are not accepted during the transfer of another DMAC channel or DTC. When the proceeding transfer is complete, channel arbitration selects the DMA transfer request of the highest priority channel, and DMA transfer of that channel starts. When DMA transfer starts, the ACT flag in DMACm.DMSTS is set to 1 (the DMAC is in the active state).

16.3.9 Registers during DMA Transfer

The DMAC registers are updated by a DMA transfer. The value to be updated changes according to the other settings and the transfer state. The registers to be updated are DMSAR, DMDAR, DMCRA, DMCRB, DMCNT, and DMACm.DMSTS, described in the following sections. For details on register update operations in each transfer mode, see [Table 16.3](#) to [Table 16.5](#).

(1) DMA Source Address Register (DMACm.DMSAR)

After the data for one transfer request is transferred, the contents of DMSAR are updated to the address to be accessed by the next transfer request.

(2) DMA Destination Address Register (DMACm.DMDAR)

After the data for one transfer request is transferred, the contents of DMDAR are updated to the address to be accessed by the next transfer request.

(3) DMA Transfer Count Register (DMACm.DMCRA)

After the data for one transfer request is transferred, the count value is updated. The update operation depends on the transfer mode selected.

(4) DMA Block Transfer Count Register (DMACm.DMCRB)

After the data for one transfer request is transferred, the count value is updated. The update operation depends on the transfer mode selected.

(5) DMA Transfer Enable Bit (DMACm.DMCNT.DTE)

The DMACm.DMCNT.DTE bit enables or disables data transfer through register write access. It is automatically set to 0 by the DMAC based on the DMA transfer state.

The conditions for clearing this bit by the DMAC are as follows:

- When the specified total volume of data transfer is complete
- When DMA transfer is stopped by a repeat size end interrupt
- When DMA transfer is stopped by an extended repeat area overflow interrupt.

Writing to the registers for channels whose associated DMACm.DMCNT.DTE bit is set to 1 is prohibited except for DMACm.DMCNT. Writes are only possible after the bit sets to 0.

(6) DMA Active Flag (DMACm.DMSTS.ACT)

The ACT flag in DMSTS of DMACm indicates whether the DMACm is in the idle or active state. This flag is set to 1 when the DMAC starts data transfer, and sets to 0 when data transfer for one transfer request is complete. Even when DMA transfer is stopped by write of 0 to the DTE bit in DMACm.DMCNT, this flag remains 1 until DMA transfer is complete.

(7) Transfer End Interrupt Flag (DMACm.DMSTS.DTIF)

The DTIF flag in DMACm.DMSTS sets to 1 after DMA transfer of the total transfer size is complete. When both this flag and the DTIE bit in DMACm.DMINT are 1, a transfer end interrupt is requested. This flag is set to 1 when the DMA transfer bus cycle is complete and the ACT flag in DMACm.DMSTS sets to 0, indicating the DMA transfer end. The flag automatically sets to 0 when the DTE bit in DMACm.DMCNT is set to 1 during interrupt handling.

(8) Transfer Escape End Interrupt Flag (DMACm.DMSTS.ESIF)

The ESIF flag in DMACm.DMSTS sets to 1 when a repeat size end interrupt or extended repeat area overflow interrupt

is requested. When this bit and the ESIE bit in DMACm.DMINT are 1, a transfer escape end interrupt is requested. This flag is set to 1 when the bus cycle of the DMA transfer that caused the interrupt request is complete and the ACT flag in DMACm.DMSTS sets to 0, indicating the DMA transfer end. The flag automatically clears to 0 when the DTE bit in DMACm.DMCNT is set to 1 during interrupt handling.

You must set the interrupt control register before sending an interrupt request from the DMAC to the CPU or the DTC. For more information, see [section 13, Interrupt Controller Unit \(ICU\)](#).

16.3.10 Channel Priority

When multiple DMA transfer requests occur, the DMAC determines the priority of channels that have DMA transfer requests.

The priority is fixed as channel 0 > channel 1 > channel 2 > channel 3 (channel 0 is the highest).

When a DMA transfer request occurs during data transfer, channel arbitration starts after the final data unit is transferred, and DMA transfer of the highest-priority channel starts.

16.4 Ending DMA Transfer

The operation for ending a DMA transfer depends on the transfer end conditions. When a DMA transfer ends, the DTE bit in DMCNT and the ACT flag in DMACm.DMSTS change from 1 to 0.

16.4.1 Transfer End by Completion of Specified Total Number of Transfer Operations

(1) In normal transfer mode (DMACm.DMTMD.MD[1:0] = 00b)

When the DMACm.DMCRAL value changes from 1 to 0, DMA transfer ends on the associated channel, the DTE bit in DMACm.DMCNT sets to 0, and the DTIF flag in DMACm.DMSTS sets to 1. If the DTIE bit in DMACm.DMINT is 1 at this time, a transfer end interrupt request is sent to the CPU or the DTC.

(2) In repeat transfer mode (DMACm.DMTMD.MD[1:0] = 01b)

When the value of DMACm.DMCRB changes from 1 to 0, DMA transfer ends on the associated channel, the DTE bit in DMACm.DMCNT sets to 0, and the DTIF flag in DMACm.DMSTS sets to 1. If the DTIE bit in DMACm.DMINT is 1 at this time, an interrupt request is sent to the CPU or the DTC.

(3) In block transfer mode (DMACm.DMTMD.MD[1:0] = 10b)

When the value of DMACm.DMCRB changes from 1 to 0, DMA transfer ends on the associated channel, the DTE bit in DMACm.DMCNT sets to 0, and the DTIF flag in DMACm.DMSTS sets to 1. If the DTIE bit in DMACm.DMINT is 1 at this time, an interrupt request is sent to the CPU or the DTC.

You must set the interrupt control register before sending an interrupt request from the DMAC to the CPU or the DTC. For more information, see [section 13, Interrupt Controller Unit \(ICU\)](#).

16.4.2 Transfer End by Repeat Size End Interrupt

In repeat transfer mode, if the RPTIE bit in DMACm.DMINT is 1, a repeat size end interrupt is requested when transfer of a single repeat size of data is complete. The DTE bit in DMACm.DMCNT sets to 0 and the ESIF flag in DMACm.DMSTS is set to 1. If the ESIE bit in DMACm.DMINT is 1 at this time, an interrupt request is sent to the CPU or the DTC. To resume the transfer, write 1 to the DTE bit in DMACm.DMCNT.

A repeat size end interrupt can also be requested in block transfer mode. When transfer of a single block size of data is complete, the interrupt is requested in the same way as in repeat transfer mode.

You must set the interrupt control register before sending an interrupt request from the DMAC to the CPU or the DTC. For more information, see [section 13, Interrupt Controller Unit \(ICU\)](#).

16.4.3 Transfer End by Interrupt on Extended Repeat Area Overflow

When an overflow on the extended repeat area occurs while the extended repeat area is specified and the SARIE or DARIE bit in DMACm.DMINT is 1, an extended repeat area overflow interrupt is requested. The DMA transfer is terminated, the DTE bit in DMACm.DMCNT clears to 0, and the ESIF flag in DMACm.DMSTS is set to 1. If the ESIE bit in DMACm.DMINT is 1 at this time, an interrupt request is sent to the CPU or the DTC.

If this interrupt is requested during a read cycle, the subsequent write cycle is performed. In block transfer mode, if the interrupt is requested during a 1-block transfer, the remaining data in the block is transferred before transfer stops.

Before sending an interrupt request from the DMAC to the CPU or the DTC, the interrupt control register must be set. For more information, see [section 13, Interrupt Controller Unit \(ICU\)](#).

16.4.4 Precautions for the End of DMA Transfer

A DMA activation request source might occur in the next request after a DMA transfer completes. If this happens, the DMA transfer starts and the DMA activation request is held in DMAC. To prevent this, stop the DMA activation requests by setting the DELSRn.DELS[7:0] bits in the ICU to 0.

When a DMA activation request occurs after the last round of the DMA transfer is generated, clear the DMA activation request by setting the ICU.DELSRm.IR bit to 0.

16.5 Interrupts

Each DMAC channel can output an interrupt request (DMACm_INT) to the CPU or DTC after transfer for one request is complete.

[Table 16.8](#) lists the interrupt sources and their associated status flags and enable bits. [Figure 16.13](#) shows the schematic logic diagram of the interrupt outputs (DMAC0 to DMAC3). [Figure 16.14](#) shows the DMAC interrupt handling routine for resuming and terminating DMA transfers.

Table 16.8 Association between interrupt sources, interrupt status flags, and interrupt enable bits

| Interrupt sources | Interrupt enable bits | Interrupt status flags | Request output enable bits |
|---------------------|---------------------------------------------------|------------------------|----------------------------|
| Transfer end | - | DMACm.DMSTS.DTIF | DMACm.DMINT.DTIE |
| Escape transfer end | Repeat size end | DMACm.DMINT.RPTIE | DMACm.DMINT.ESIE |
| | Source address extended repeat area overflow | DMACm.DMINT.SARIE | DMACm.DMINT.ESIF |
| | Destination address extended repeat area overflow | DMACm.DMINT.DARIE | |

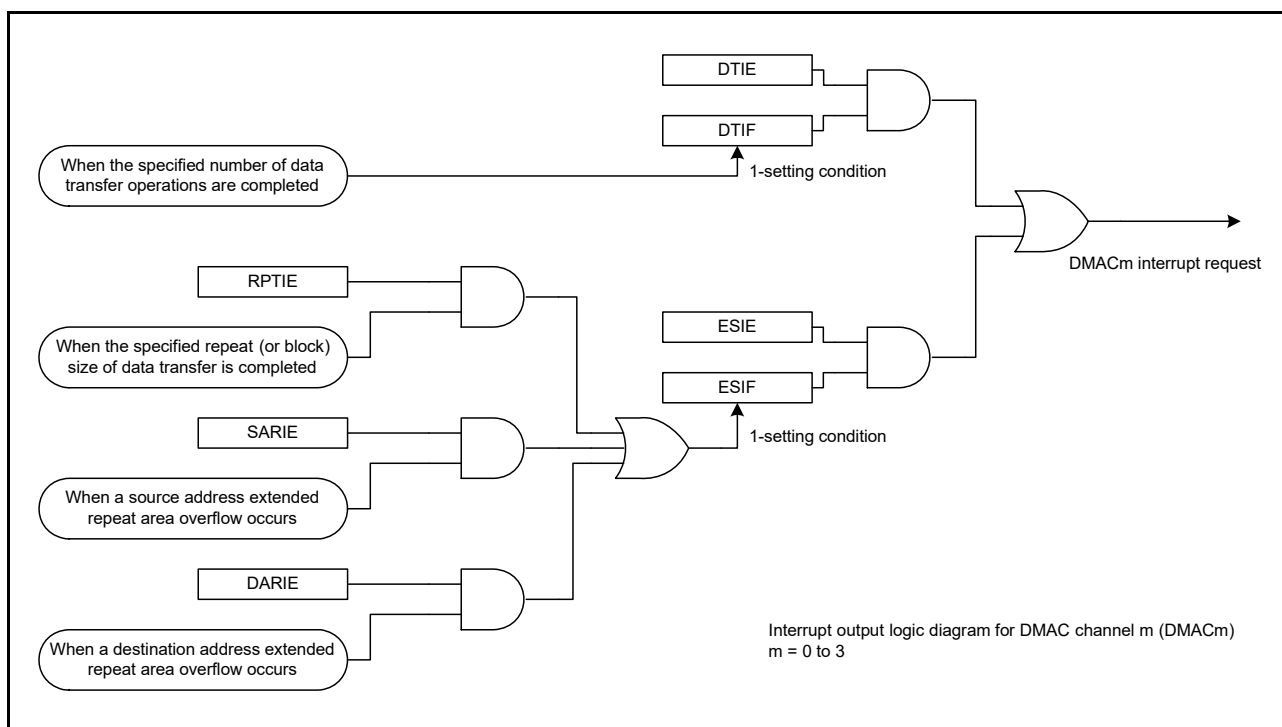


Figure 16.13 Schematic logic diagram of interrupt outputs for DMAC0 to DMAC3

Different procedures are used for canceling an interrupt to restart a DMA transfer in the following cases:

- When terminating a DMA transfer
- When continuing a DMA transfer.

(1) When terminating a DMA transfer

Write 0 to the DTIF flag in DMACm.DMSTS to clear a transfer end interrupt, and to the ESIF flag in DMACm.DMSTS to clear a repeat size interrupt or an extended repeat area overflow interrupt. DMACm remains in the stopped state. When starting another DMA transfer, set the appropriate registers and set the DTE bit in DMACm.DMCNT to 1 (DMA transfer enabled).

(2) When continuing a DMA transfer

Write 1 to the DTE bit in DMACm.DMCNT. The ESIF flag in DMSTS of DMACm automatically sets to 0 (interrupt source cleared), and the DMA transfer resumes.

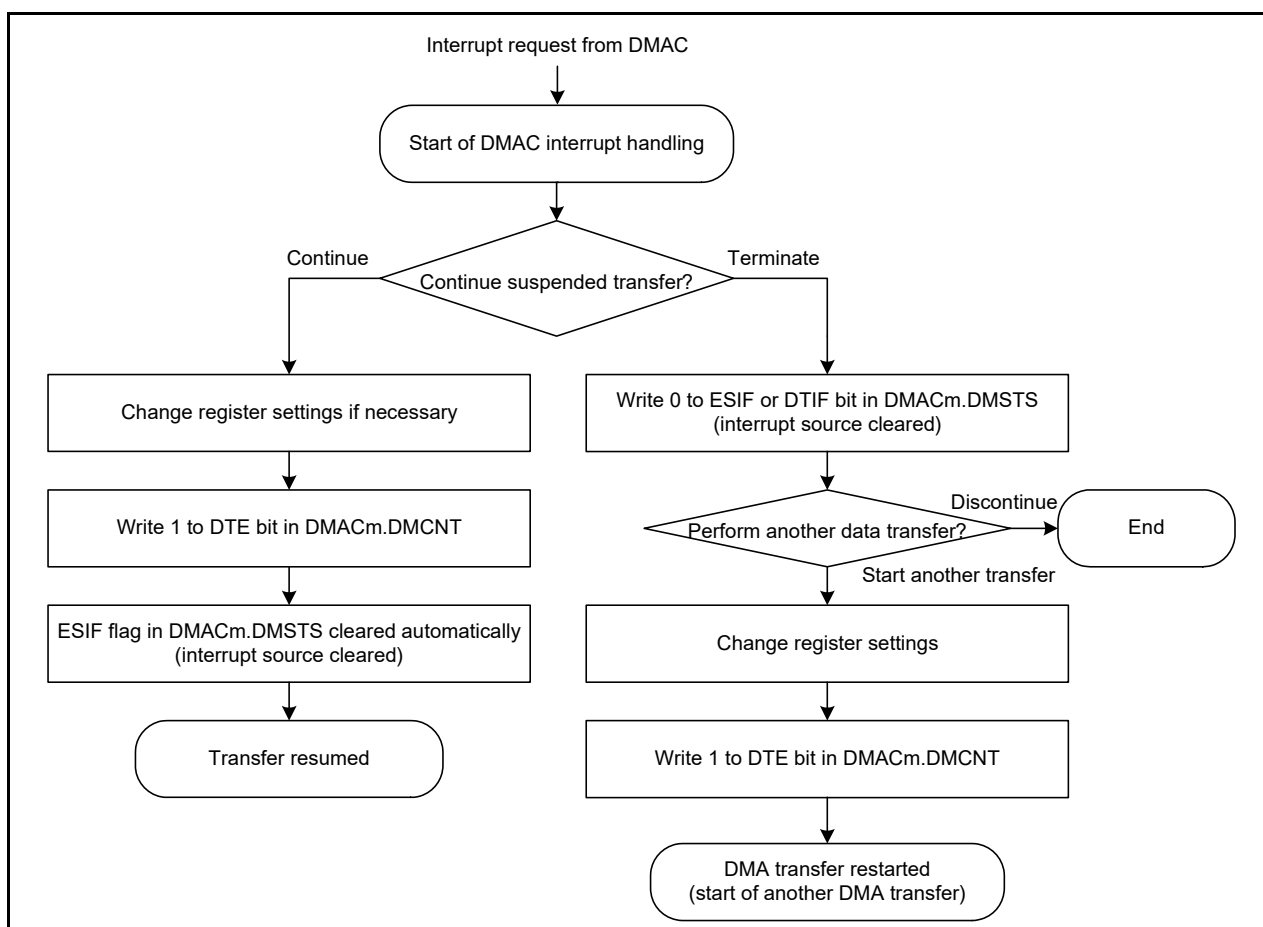


Figure 16.14 DMAC interrupt handling routine to resume or terminate a DMA transfer

16.6 Event Link

Each DMAC channel outputs an event link request signal (DMACm_INT) every time it completes a data transfer, or a block transfer in block transfer mode. For more information, see [section 18, Event Link Controller \(ELC\)](#).

16.7 Low Power Consumption Function

Before entering the module-stop state or Software Standby mode, you must first clear the DMST bit in DMAST to 0 (DMAC suspended), and use settings in the sections that follow.

(1) Module-stop function

Writing 1 to the MSTPA22 bit in MSTPCRA enables the module-stop function of the DMAC. If a DMA transfer is in progress when 1 is written to the MSTPA22 bit, the transition to the module-stop state continues after DMA transfer

ends. Access to the DMAC registers is prohibited while the MSTPA22 bit is 1. Writing 0 to the MSTPA22 bit releases the DMAC from the module-stop state.

(2) Software Standby mode

Use the settings described in [section 10.7.1, Transition to Software Standby Mode](#).

If DMA transfer operations are in progress when the WFI instruction is executed, the DMA transfer completes before the transition to Software Standby mode.

(3) Notes on low power consumption function

For information on the WFI instruction and register settings, see [section 10.9.6, Timing of WFI Instruction](#).

To perform DMA transfer after returning from low power consumption mode, set the DMST bit in DMAST to 1 again. To use a request that is generated in Software Standby mode as an interrupt request to the CPU but not as a DMAC startup request, specify the CPU as the interrupt request destination, as described in [section 13.4.2, Selecting Interrupt Request Destinations](#), and then execute the WFI instruction.

16.8 Usage Notes

16.8.1 Access to Registers during DMA Transfer

Do not write to the following registers of DMACm while the ACT flag in DMSTS of the associated channel is set to 1 (DMAC active state) or the DTE bit in DMCNT of the associated channel is set to 1 (DMA transfer enabled):

- DMSAR
- DMDAR
- DMCRA
- DMCRB
- DMTMD
- DMINT
- DMAMD
- DMOFR.

16.8.2 DMA Transfer to Reserved Areas

DMA transfer to reserved areas is prohibited. If such an access is made, transfer results are not guaranteed. For details on reserved areas, see [section 4, Address Space](#).

16.8.3 Setting the DMAC Event Link Setting Register of the Interrupt Controller Unit (ICU.DELSRn)

Before setting the DMAC Event Link Setting Register (ICU.DELSRn), make sure that the DMA Transfer Enable bit (DMACm.DMCNT.DTE) is set to 0, disabling DMA transfer. Additionally, ensure that the DTC Activation Enable bit (ICU.IELSRn.DTCE) associated with the event number set in the ICU.DELSRn register is not set to 1. For details on ICU.IELSRn.DTCE and ICU.DELSRn, see [section 13, Interrupt Controller Unit \(ICU\)](#).

16.8.4 Suspending or Restarting DMA Activation

To suspend a DMA activation request, write 0 to the DMAC Event Link Select (ICU.DELSRn.DELS[7:0]). To restart the DMA transfer, write the event number to the ICU.DELSRn.DELS[7:0] bit with the settings shown in [section 16.3.7, Activating DMAC](#).

17. Data Transfer Controller (DTC)

17.1 Overview

The MCU includes a Data Transfer Controller (DTC) that performs data transfers when activated by an interrupt request. [Table 17.1](#) lists the DTC specifications and [Figure 17.1](#) shows the block diagram.

Table 17.1 DTC specifications

| Parameter | Description |
|----------------------|------------------------------------------------------------------------------------------------------------------------------------------------------------------------------------------------------------------------------------------------------------------------------------------------------------------------------------------------------------------------------------------------------------------------------------------------------------------------------------------------------------------------------------------------------------------------------------------------------------------------------------|
| Transfer modes | <ul style="list-style-type: none"> • Normal transfer mode A single activation leads to a single data transfer. • Repeat transfer mode A single activation leads to a single data transfer. The transfer address returns to the start address after the number of data transfers reaches the specified repeat size. The maximum number of repeat transfers is 256 and the maximum data transfer size is 256 × 32 bits (1024 bytes). • Block transfer mode A single activation leads to a transfer of a single block. The maximum block size is 256 × 32 bits = 1024 bytes. |
| Transfer channel | <ul style="list-style-type: none"> • Channel transfer can be associated with the interrupt source (transferred by a DTC activation request from the ICU) • Multiple data units can be transferred on a single activation source (chain transfer) • Chain transfers are selectable to either execute when the counter is 0, or always execute. |
| Transfer space | <ul style="list-style-type: none"> • 4 GB area from 0000 0000h to FFFF FFFFh, not including reserved areas. |
| Data transfer units | <ul style="list-style-type: none"> • Single data unit: 1 byte (8 bits), 1 halfword (16 bits), 1 word (32 bits) • Single block size: 1 to 256 data units. |
| CPU interrupt source | <ul style="list-style-type: none"> • An interrupt request can be generated to the CPU on a DTC activation interrupt • An interrupt request can be generated to the CPU after a single data transfer • An interrupt request can be generated to the CPU after a data transfer of a specified volume. |
| Event link function | An event link request is generated after one data transfer (for block, after one block transfer) |
| Read skip | Transfer information read skip can be executed |
| Write-back skip | When the transfer source or destination address is specified as fixed, a write-back of transfer information can be skipped |
| Module-stop function | Module-stop state can be set to reduce power consumption |

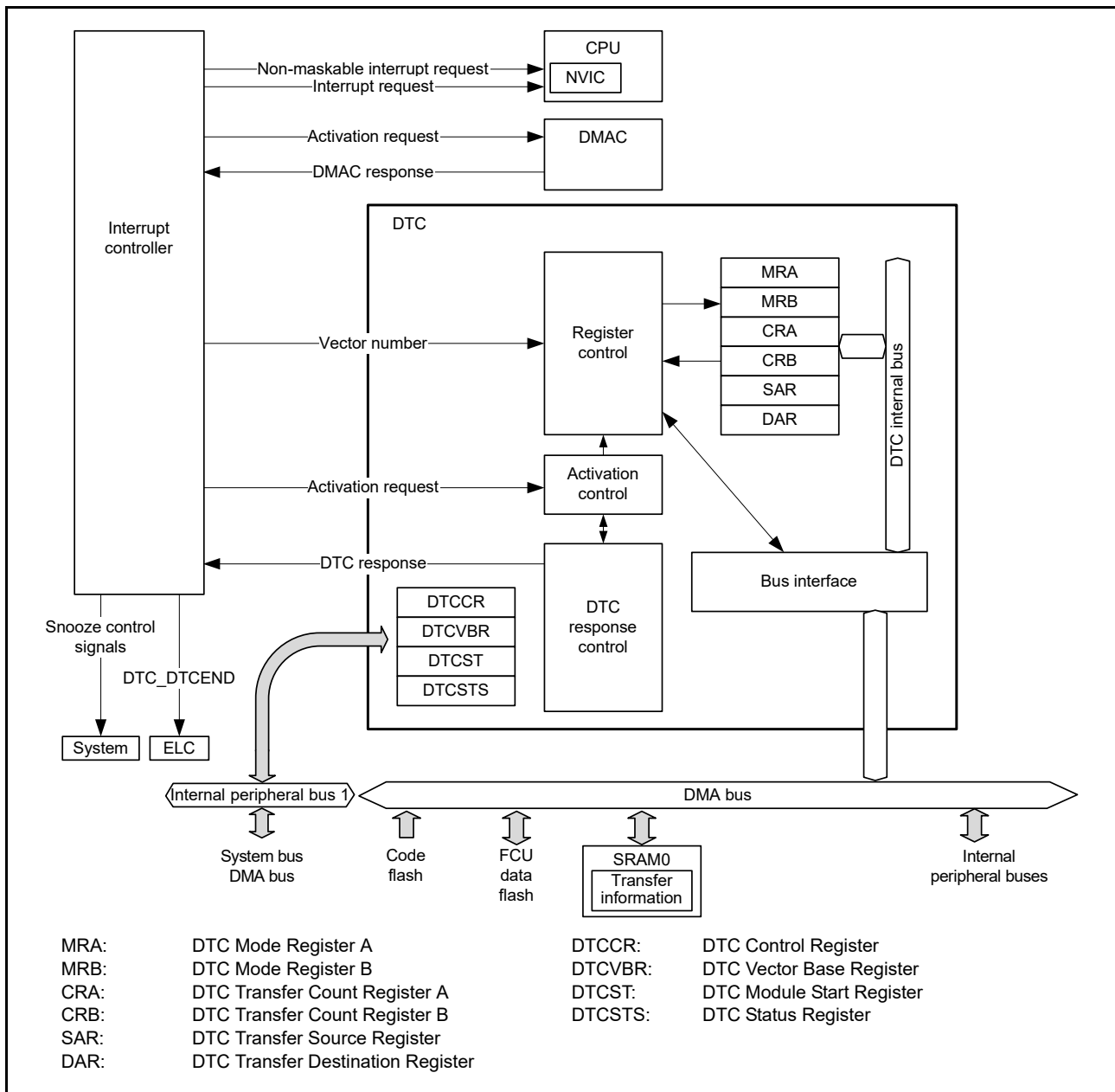


Figure 17.1 DTC block diagram

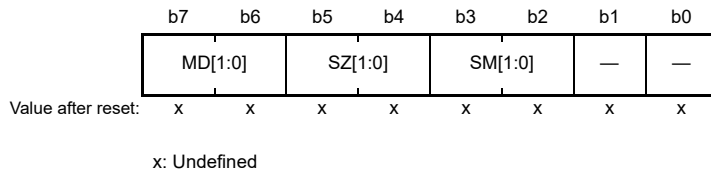
See [section 13.1, Overview](#) in [section 13, Interrupt Controller Unit \(ICU\)](#) for the connections between the DTC and NVIC in the CPU.

17.2 Register Descriptions

MRA, MRB, SAR, DAR, CRA, and CRB are all DTC internal registers that cannot be directly accessed from the CPU. Values to be set in these DTC internal registers are placed in the SRAM area as transfer information. When an activation request is generated, the DTC reads the transfer information from the SRAM area and sets it in its internal registers. After the data transfer ends, the internal register contents are written back to the SRAM area as transfer information.

17.2.1 DTC Mode Register A (MRA)

Address(es): (inaccessible directly from the CPU. See section 17.3.1)

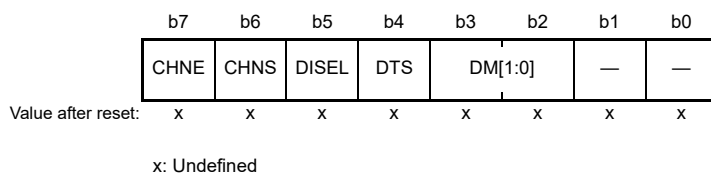


| Bit | Symbol | Bit name | Description | R/W |
|--------|---------|-----------------------------------------|---------------------------------------------------------------------------------------------------------------------------------------------------------------------------------------------------------------------------------------------------------------------------------------------------------------------------------------------------------------------------------------------------------------------------------------------------------------------------|-----|
| b1, b0 | — | Reserved | These bits are read as undefined. The write value should be 0. | — |
| b3, b2 | SM[1:0] | Transfer Source Address Addressing Mode | b3 b2 0 0: Address in the SAR register is fixed. (write-back to SAR is skipped.) 0 1: Address in the SAR register is fixed. (write-back to SAR is skipped.) 1 0: SAR value is incremented after data transfer: +1 when SZ[1:0] bits = 00b +2 when SZ[1:0] bits = 01b +4 when SZ[1:0] bits = 10b. 1 1: SAR value is decremented after data transfer. -1 when SZ[1:0] bits = 00b -2 when SZ[1:0] bits = 01b -4 when SZ[1:0] bits = 10b. | — |
| b5, b4 | SZ[1:0] | DTC Data Transfer Size | b5 b4 0 0: Byte (8-bit) transfer 0 1: Halfword (16-bit) transfer 1 0: Word (32-bit) transfer 1 1: Setting prohibited. | — |
| b7, b6 | MD[1:0] | DTC Transfer Mode Select | b7 b6 0 0: Normal transfer mode 0 1: Repeat transfer mode 1 0: Block transfer mode 1 1: Setting prohibited. | — |

The MRA cannot be accessed directly from the CPU. However, the CPU can access the SRAM area (transfer information (n) start address + 03h) and the DTC automatically transfers the MRA transfer information to and from the MRA register. See [section 17.3.1, Allocating Transfer Information and DTC Vector Table](#).

17.2.2 DTC Mode Register B (MRB)

Address(es): (inaccessible directly from the CPU. See section 17.3.1)



| Bit | Symbol | Bit name | Description | R/W |
|--------|--------|----------|----------------------------------------------------------------|-----|
| b1, b0 | — | Reserved | These bits are read as undefined. The write value should be 0. | — |

| Bit | Symbol | Bit name | Description | R/W |
|--------|---------|----------------------------------------------|---------------------------------------------------------------------------------------------------------------------------------------------------------------------------------------------------------------------------------------------------------------------------------------------------------------------------------------------------------------------------------------------------------------------------------------------------------------------------|-----|
| b3, b2 | DM[1:0] | Transfer Destination Address Addressing Mode | b3 b2 0 0: Address in the DAR register is fixed (write-back to DAR is skipped.) 0 1: Address in the DAR register is fixed (write-back to DAR is skipped.) 1 0: DAR value is incremented after data transfer: +1 when MRA.SZ[1:0] bits = 00b +2 when SZ[1:0] bits = 01b +4 when SZ[1:0] bits = 10b. 1 1: DAR value is decremented after data transfer: -1 when MRA.SZ[1:0] bits = 00b -2 when SZ[1:0] bits = 01b -4 when SZ[1:0] bits = 10b. | — |
| b4 | DTS | DTC Transfer Mode Select | 0: Select transfer destination as repeat or block area 1: Select transfer source as repeat or block area. | — |
| b5 | DISEL | DTC Interrupt Select | 0: Generate an interrupt request to the CPU when specified data transfer is complete 1: Generate an interrupt request to the CPU each time DTC data transfer is performed. | — |
| b6 | CHNS | DTC Chain Transfer Select | 0: Select continuous chain transfer 1: Select chain transfer to occur only when the transfer counter is changed from 1 to 0 or 1 to CRAH. | — |
| b7 | CHNE | DTC Chain Transfer Enable | 0: Chain transfer disabled 1: Chain transfer enabled. | — |

The MRB register cannot be accessed directly from the CPU. However, the CPU can access the SRAM area (transfer information (n) start address + 02h) and the DTC automatically transfers the MRB transfer information to and from the MRB register. See [section 17.3.1, Allocating Transfer Information and DTC Vector Table](#).

DTS bit (DTC Transfer Mode Select)

The DTS bit selects either the transfer source or transfer destination as the repeat or block area in repeat or block transfer mode.

CHNS bit (DTC Chain Transfer Select)

The CHNS bit selects the chain transfer condition. When the CHNE bit is 0, the CHNS setting is ignored. For details on the conditions for chain transfer, see [Table 17.3, Chain transfer conditions](#).

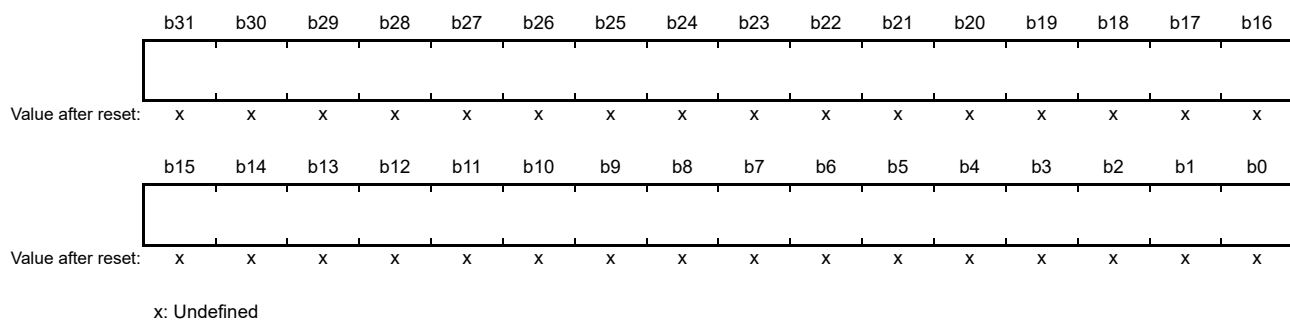
When the next transfer is a chain transfer, completion of the specified number of transfers is not determined, the activation source flag is not cleared, and an interrupt request to the CPU is not generated.

CHNE bit (DTC Chain Transfer Enable)

The CHNE bit enables chain transfer. The chain transfer condition is selected in the CHNS bit. For details, see [section 17.4.6, Chain Transfer](#).

17.2.3 DTC Transfer Source Register (SAR)

Address(es): (inaccessible directly from the CPU. See [section 17.3.1](#))



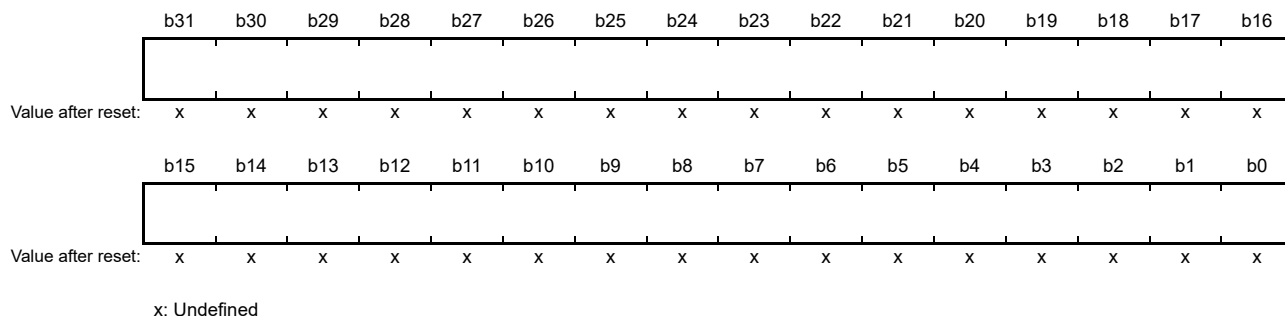
The SAR sets the transfer source start address and cannot be accessed directly from the CPU. However, the CPU can

access the SRAM area (transfer information (n) start address + 04h) and the DTC automatically transfers the transfer information to and from the SAR register. See [section 17.3.1, Allocating Transfer Information and DTC Vector Table](#).

Restrictions: Misalignment is prohibited for DTC transfers. Bit [0] must be 0 when MRA.SZ[1:0] = 01b. Bits [1] and [0] must be 0 when MRA.SZ[1:0] = 10b.

17.2.4 DTC Transfer Destination Register (DAR)

Address(es): (inaccessible directly from the CPU. See [section 17.3.1](#))

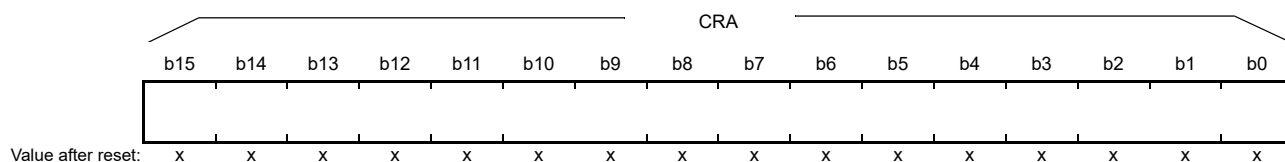


The DAR sets the transfer destination start address and cannot be accessed directly from the CPU. However, the CPU can access the SRAM area (transfer information (n) start address + 08h) and DTC transfer it automatically to and from the DAR register. See [section 17.3.1, Allocating Transfer Information and DTC Vector Table](#). Misalignment is prohibited for DTC transfers. Bit 0 must be 0 when MRA.SZ[1:0] = 01b, and bit 1 or bit 0 must be 0 when MRA.SZ[1:0] = 10b.

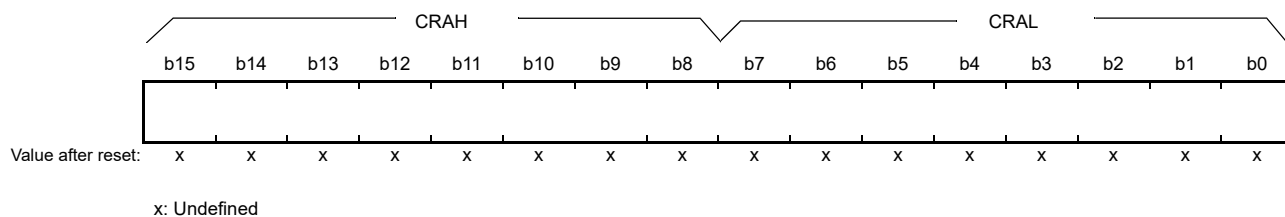
17.2.5 DTC Transfer Count Register A (CRA)

Address(es): (inaccessible directly from the CPU. See [section 18.3.1](#))

- Normal transfer mode



- Repeat transfer mode/block transfer mode



| Symbol | Register name | Description | R/W |
|--------|-----------------------------------|------------------------|-----|
| CRAL | Transfer Counter A Lower Register | Set the transfer count | — |
| CRAH | Transfer Counter A Upper Register | | — |

Note: The function depends on the transfer mode.
 Note: Set CRAH and CRAL to the same value in repeat transfer mode and block transfer mode.

The CRA register cannot be accessed directly from the CPU. However, the CPU can access the SRAM area (transfer information (n) start address + 0Eh) and the DTC automatically transfers the transfer information to and from the CRA register. See [section 17.3.1, Allocating Transfer Information and DTC Vector Table](#).

(1) Normal transfer mode (MRA.MD[1:0] bits = 00b)

In normal transfer mode, CRA functions as a 16-bit transfer counter. The transfer count is 1, 65535, and 65536 when the

set value is 0001h, FFFFh, and 0000h, respectively. The CRA value is decremented (-1) on each data transfer.

(2) Repeat transfer mode (MRA.MD[1:0] bits = 01b)

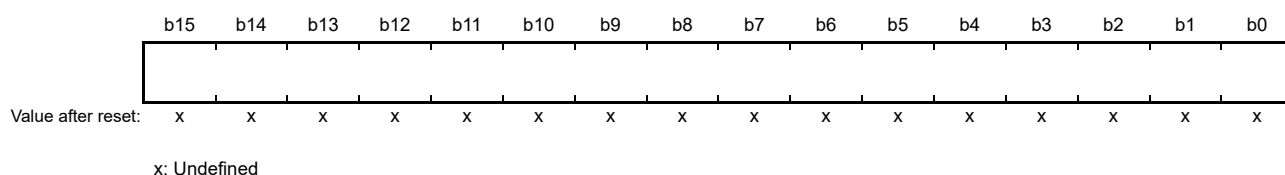
In repeat transfer mode, the CRAH register holds the transfer count and the CRAL register functions as an 8-bit transfer counter. The transfer count is 1, 255, and 256 when the set value is 01h, FFh, and 00h, respectively. The CRAL value is decremented (-1) on each data transfer. When it reaches 00h, the CRAH value is transferred to CRAL.

(3) Block transfer mode (MRA.MD[1:0] bits = 10b)

In block transfer mode, the CRAH register holds the block size and the CRAL register functions as an 8-bit block size counter. The transfer count is 1, 255, and 256 when the set value is 01h, FFh, and 00h, respectively. The CRAL value is decremented (-1) on each data transfer. When it reaches 00h, the CRAH value is transferred to CRAL.

17.2.6 DTC Transfer Count Register B (CRB)

Address(es): (inaccessible directly from the CPU. See section 17.3.1)

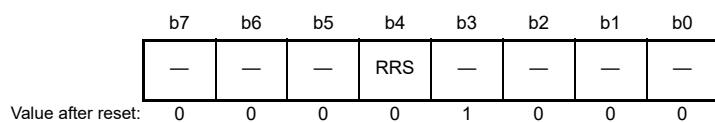


The CRB register sets the block transfer count for block transfer mode. The transfer count is 1, 65535, and 65536 when the set value is 0001h, FFFFh, and 0000h, respectively. The CRB value is decremented (-1) when the final data of a single block size is transferred. When normal transfer mode or repeat transfer mode is selected, this register is not used and the set value is ignored.

The CRB register cannot be accessed directly from the CPU. However, the CPU can access the SRAM area (transfer information (n) start address + 0Ch) and the DTC automatically transfers the transfer information to and from the CRB register. See section 17.3.1, Allocating Transfer Information and DTC Vector Table.

17.2.7 DTC Control Register (DTCCR)

Address(es): DTC.DTCCR 4000 5400h



| Bit | Symbol | Bit name | Description | R/W |
|----------|--------|-------------------------------------------|-------------------------------------------------------------------------------------------------------------------|-----|
| b2 to b0 | — | Reserved | These bits are read as 0. The write value should be 0. | R/W |
| b3 | — | Reserved | This bit is read as 1. The write value should be 1. | R/W |
| b4 | RRS | DTC Transfer Information Read Skip Enable | 0: Transfer information read is not skipped 1: Transfer information read is skipped when vector numbers match. | R/W |
| b7 to b5 | — | Reserved | These bits are read as 0. The write value should be 0. | R/W |

RRS bit (DTC Transfer Information Read Skip Enable)

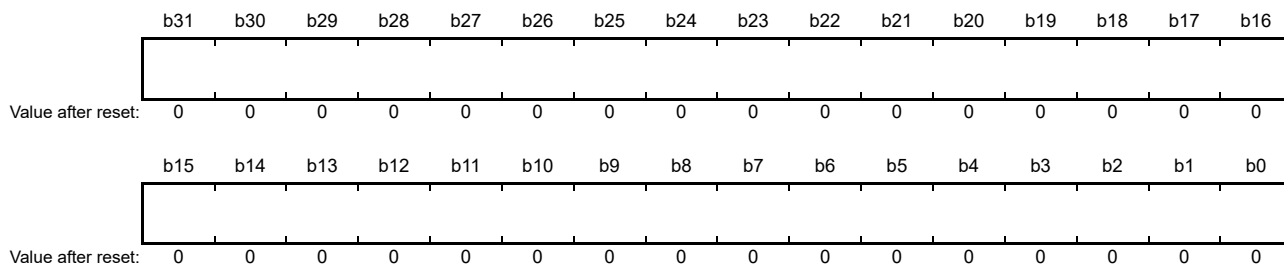
The DTC vector number is compared with the vector number in the previous activation process.

When these vector numbers match and the RRS bit is set to 1, the DTC data transfer is performed without reading the transferred information. However, when the previous transfer is a chain transfer, the transferred information is read regardless of the value of the RRS bit.

When the transfer counter (CRA register) becomes 0 during the previous normal transfer and when the transfer counter (CRB register) becomes 0 during the previous block transfer, the transfer information is read regardless of the RRS bit value.

17.2.8 DTC Vector Base Register (DTCVBR)

Address(es): [DTC.DTCVBR 4000 5404h](#)

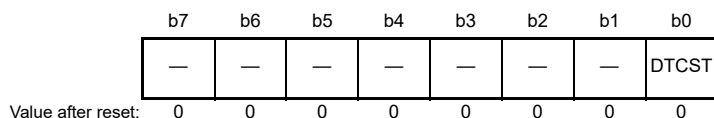


| Bit | Bit name | Description | R/W |
|-----------|-------------------------|-----------------------------------------------------------------|-----|
| b31 to b0 | DTC Vector Base Address | Set the DTC vector base address. The lower 10 bits should be 0. | R/W |

The DTCVBR register sets the base address for calculating the DTC vector table address, which can be set in the range of 0000 0000h to FFFF FFFFh (4 GB) in 1-KB units.

17.2.9 DTC Module Start Register (DTCST)

Address(es): [DTC.DTCST 4000 540Ch](#)



| Bit | Symbol | Bit name | Description | R/W |
|----------|-----------------------|------------------|--------------------------------------------------------|-----|
| b0 | DTCST | DTC Module Start | 0: DTC module stopped 1: DTC module started. | R/W |
| b7 to b1 | — | Reserved | These bits are read as 0. The write value should be 0. | R/W |

DTCST bit (DTC Module Start)

Set the DTCST bit to 1 to enable the DTC to accept transfer requests. When this bit is set to 0, transfer requests are no longer accepted. If this bit is set to 0 during a data transfer, the accepted transfer request is active until processing is complete.

DTCST must be set to 0 before transitioning to one of the following state or mode:

- Module-stop state
- Software Standby mode without Snooze mode transition.

For details on these transitions, see [section 17.10, Module-Stop Function](#), and [section 10, Low Power Modes](#).

17.2.10 DTC Status Register (DTCSTS)

Address(es): [DTC.DTCSTS 4000 540Eh](#)



| Bit | Symbol | Bit name | Description | R/W |
|-----------|---------------------------|-----------------------------------------|-------------------------------------------------------------------------------------------------------------------------------------------------------------------------------|-----|
| b7 to b0 | VECN[7:0] | DTC-Activating Vector Number Monitoring | These bits indicate the vector number for the activation source when a DTC transfer is in progress. The value is only valid if a DTC transfer is in progress (ACT flag is 1). | R |
| b14 to b8 | — | Reserved | These bits are read as 0 | R |
| b15 | ACT | DTC Active Flag | 0: DTC transfer operation is not in progress 1: DTC transfer operation is in progress. | R |

[VECN\[7:0\] bits \(DTC-Activating Vector Number Monitoring\)](#)

While transfer by the DTC is in progress, the VECN[7:0] bits indicate the vector number associated with the activation source for the transfer. The value read from the VECN[7:0] bits is valid if the ACT flag is 1, indicating a DTC transfer is in progress, and invalid if the ACT flag is 0, indicating no current DTC transfer is in progress.

[ACT flag \(DTC Active Flag\)](#)

The ACT flag indicates the state of the DTC transfer operation.

[Setting condition]

- When the DTC is activated by a transfer request.

[Clearing condition]

- When transfer by the DTC, in response to a transfer request, is complete.

17.3 Activation Sources

The DTC is activated by an interrupt request. Setting the ICU.IELSRn.DTCE bit to 1 enables activation of the DTC by the associated interrupt. The number of selector output n set in ICU.IELSR is defined as the interrupt vector number, where $n = 0$ to 31. For an enabled interrupt, the specific DTC interrupt source associated with each interrupt vector number n is selected in ICU.IELSRn.IELS[7:0] where $n = 0$ to 31, as listed in [Table 13.4, Event table in section 13, Interrupt Controller Unit \(ICU\)](#). For activation by software, see [section 18.2.2, Event Link Software Event Generation Register \$n\$ \(ELSEGR \$n\$ \) \(\$n = 0, 1\$ \)](#).

The interrupt vector number is equivalent to the DTC vector table number. After the DTC accepted an activation request, it does not accept another activation request until transfer for that single request is complete, regardless of the priority of the requests. When multiple activation requests are generated during a DMAC or DTC transfer, a highest priority request is accepted on completion of the transfer. When multiple activation requests are generated while the DTC module start bit (DTCST.DTCST) is 0, the DTC accepts the highest priority request when DTCST.DTCST is subsequently set to 1. The small interrupt vector number has high priority.

The DTC performs the following operations at the start of a single data transfer or for a chain transfer, after the last of the consecutive transfers:

- On completion of a specified round of data transfer, the ICU.IELSRn.DTCE bit is set to 0 and an interrupt request is sent to the CPU
- If the MRB.DISEL bit is 1, an interrupt request is sent to the CPU on completion of a data transfer
- For other transfers, the ICU.IELSRn.IR bit of the activation source is set to 0 at the start of the data transfer.

17.3.1 Allocating Transfer Information and DTC Vector Table

The DTC reads the start address of the transfer information associated with each activation source from the vector table and reads the transfer information starting at that address.

The vector table must be located so that the lower 10 bits of the base address (start address) are 0. Use the DTC Vector Base Register (DTCVBR) to set the base address of the DTC vector table. Transfer information is allocated in the SRAM area. In the SRAM area, the start address of the transfer information n with vector number n must be $4n$ added to the base address in the vector table.

Figure 17.2 shows the relationship between the DTC vector table and transfer information. Figure 17.3 shows the allocation of transfer information in the SRAM area.

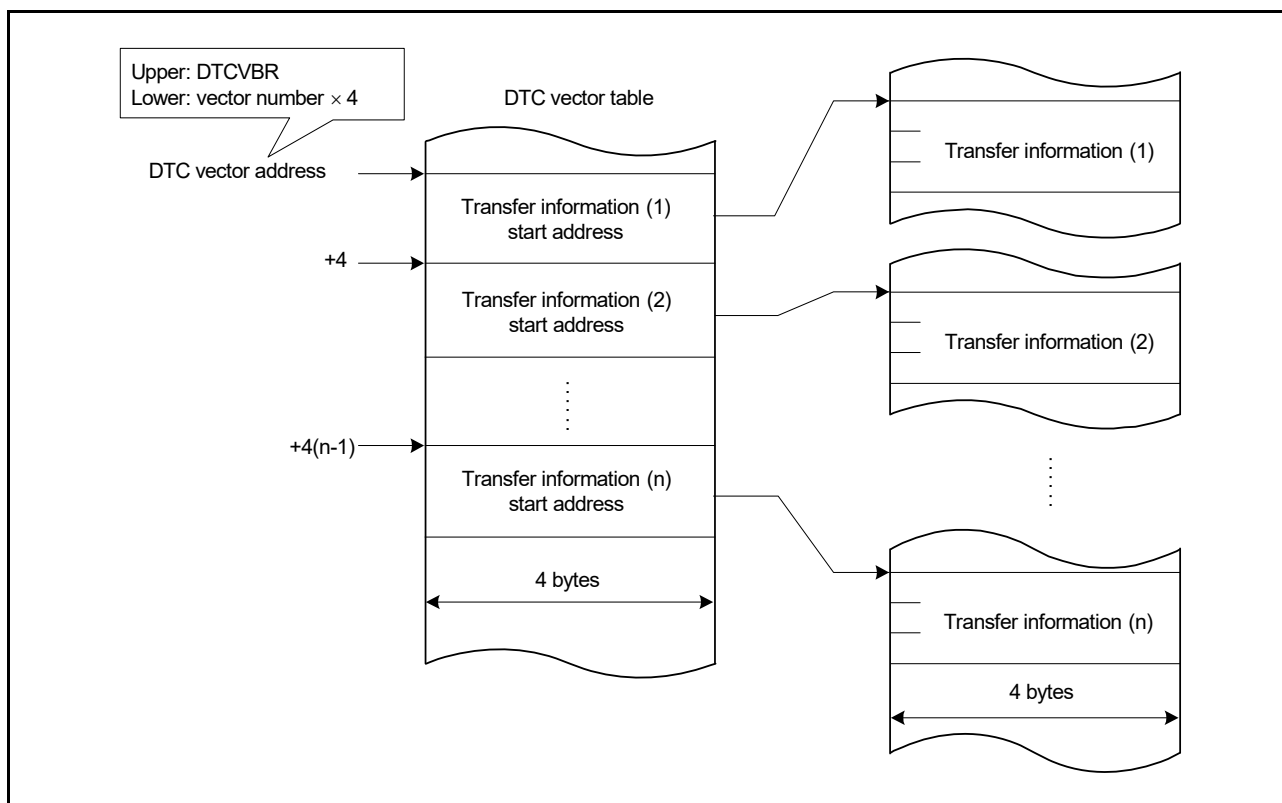


Figure 17.2 DTC vector table and transfer information

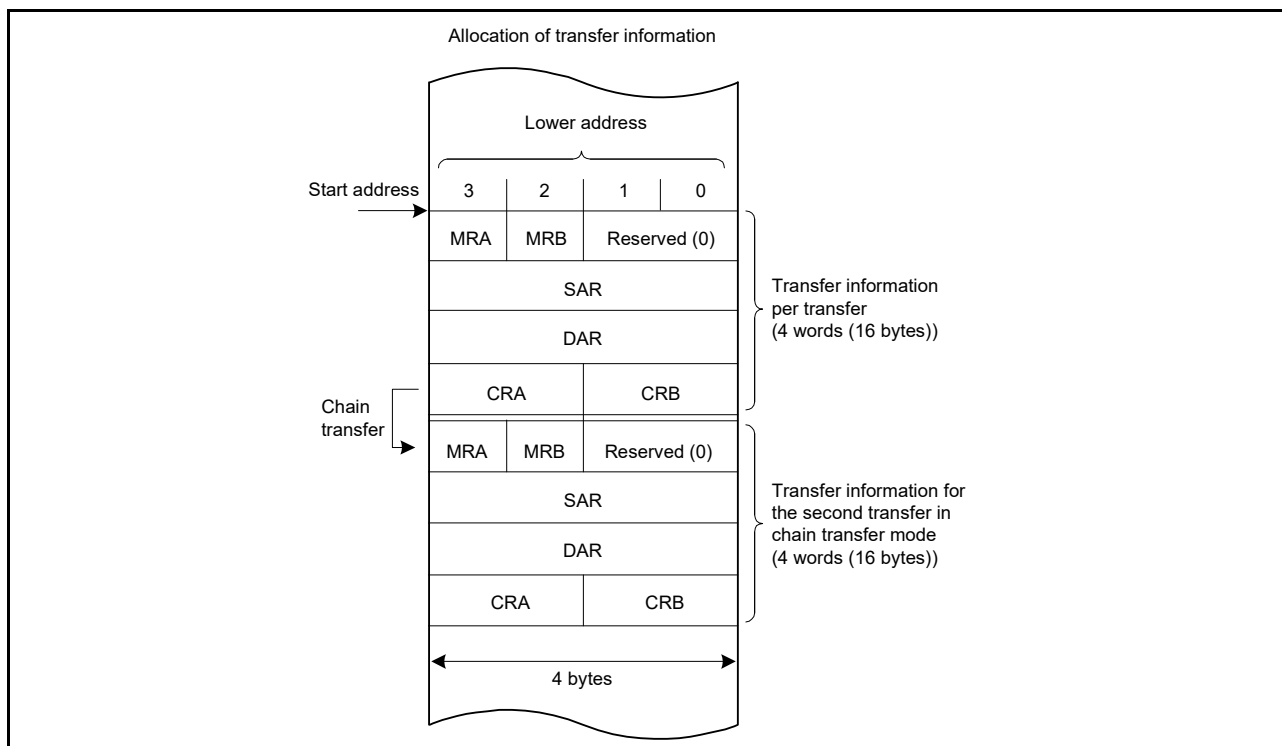


Figure 17.3 Allocation of transfer information in the SRAM area

17.4 Operation

The DTC transfers data according to the transfer information. Storage of the transfer information in the SRAM area is required before a DTC operation. When the DTC is activated, it reads the DTC vector associated with the vector number. The DTC then reads the transfer information from the transfer information store address referenced by the DTC vector and transfers the data. After the data transfer, the DTC writes back the transfer information. Storing the transfer information in the SRAM area allows data transfer of any number of channels.

There are three transfer modes:

- Normal transfer mode
- Repeat transfer mode
- Block transfer mode.

The DTC specifies a transfer source address in the SAR register and a transfer destination address in the DAR register. The values of these registers are incremented, decremented, or address-fixed independently after the data transfer.

Table 17.2 describes the DTC transfer modes.

Table 17.2 DTC transfer modes

| Transfer mode | Data size transferred on single transfer request | Increment or decrement of memory address | Settable transfer count |
|------------------------|-------------------------------------------------------------------------------------------------------------------------|-----------------------------------------------------------|-------------------------|
| Normal transfer mode | 1 byte (8 bit) / 1 halfword (16 bit) / 1 word (32 bit) | Incremented or decremented by 1, 2, or 4 or address fixed | 1 to 65536 |
| Repeat transfer mode*1 | 1 byte (8 bit) / 1 halfword (16 bit) / 1 word (32 bit) | Incremented or decremented by 1, 2, or 4 or address fixed | 1 to 256*3 |
| Block transfer mode*2 | Block size specified in CRAH (1 to 256 bytes, 1 to 256 halfwords (2 to 512 bytes), or 1 to 256 words (4 to 1024 bytes)) | Incremented or decremented by 1, 2, or 4 or address fixed | 1 to 65536 |

Note 1. Set the transfer source or transfer destination as the repeat area.

Note 2. Set the transfer source or transfer destination as the block area.

Note 3. After a data transfer of the specified count, the initial state is restored and operation restarts.

Setting the MRB.CHNE bit to 1 allows multiple transfers or chain transfer on a single activation source. It also enables a chain transfer when the specified data transfer is complete.

Figure 17.4 shows the operation flow of the DTC. Table 17.3 lists the chain transfer conditions. The combination of control information for the second and subsequent transfers are omitted in this table.

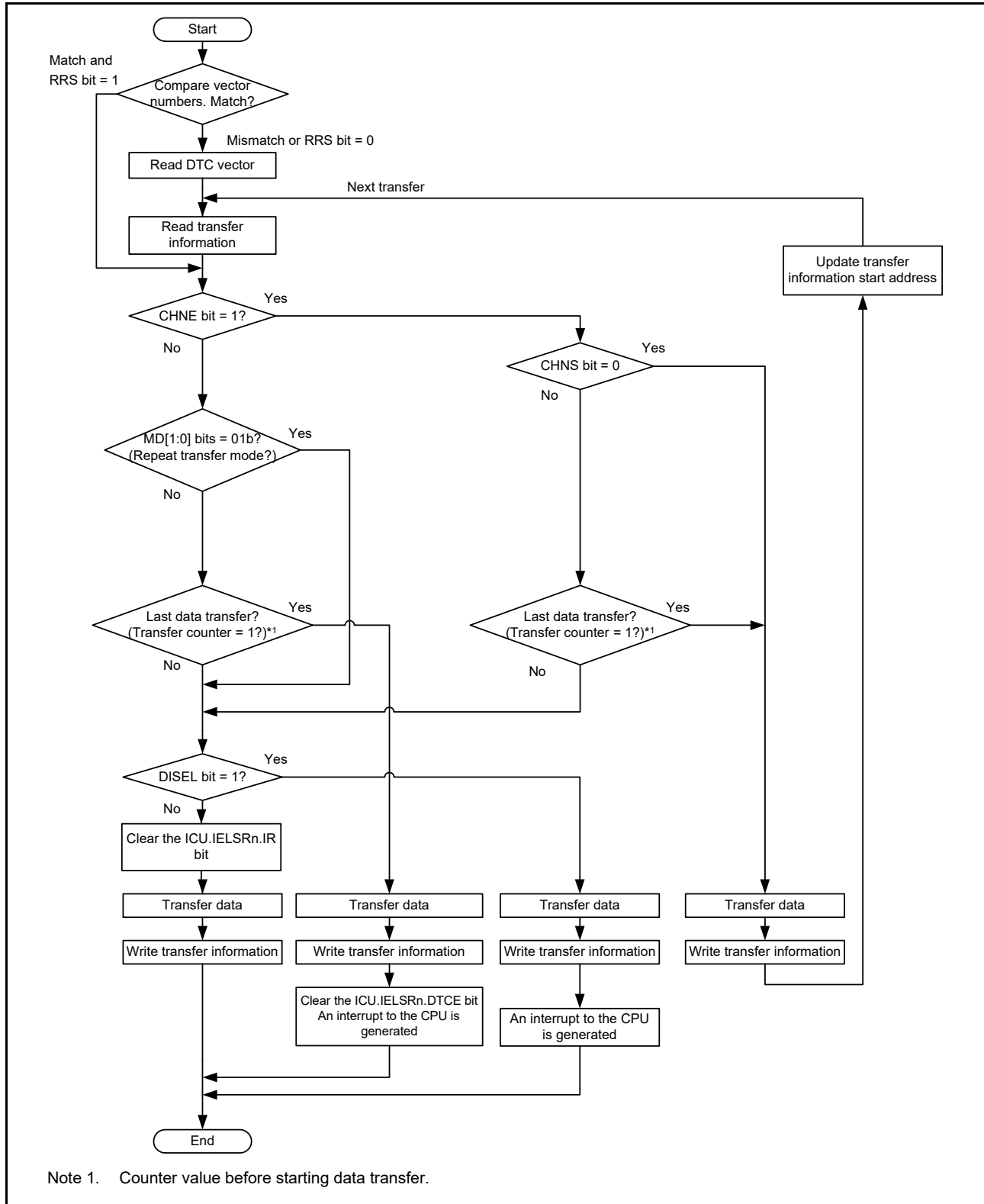


Figure 17.4 DTC operation flow

Table 17.3 Chain transfer conditions

| First transfer | | | | Second transfer*3 | | | | DTC transfer |
|----------------|----------|-----------|-----------------------|-------------------|----------|-----------|-----------------------|---------------------------------------------------------------------|
| CHNE bit | CHNS bit | DISEL bit | Transfer counter*1,*2 | CHNE bit | CHNS bit | DISEL bit | Transfer counter*1,*2 | |
| 0 | - | 0 | Other than (1 → 0) | - | - | - | - | Ends after the first transfer |
| 0 | - | 0 | (1 → 0) | - | - | - | - | Ends after the first transfer with an interrupt request to the CPU |
| 0 | - | 1 | - | - | - | - | - | |
| 1 | 0 | - | - | 0 | - | 0 | Other than (1 → 0) | Ends after the second transfer |
| | | | | 0 | - | 0 | (1 → 0) | Ends after the second transfer with an interrupt request to the CPU |
| | | | | 0 | - | 1 | - | |
| 1 | 1 | 0 | Other than (1 → *) | - | - | - | - | Ends after the first transfer |
| 1 | 1 | - | (1 → *) | 0 | - | 0 | Other than (1 → 0) | Ends after the second transfer |
| | | | | 0 | - | 0 | (1 → 0) | Ends after the second transfer with an interrupt request to the CPU |
| | | | | 0 | - | 1 | - | |
| 1 | 1 | 1 | Other than (1 → *) | - | - | - | - | Ends after the first transfer with an interrupt request to the CPU |

Note 1. The transfer counters used depend on the transfer modes as follows:

Normal Transfer mode — CRA register
Repeat Transfer mode — CRAL register
Block Transfer mode — CRB register

Note 2. On completion of a data transfer, the counters operate as follows:

1 → 0 in normal and block transfer modes
1 → CRAH in repeat transfer mode
(1 → *) in the table indicates both of these two operations, depending on the mode.

Note 3. Chain transfer can be selected for the second or subsequent transfers. The conditions for the combination of the second transfer and CHNE bit = 1 is omitted.

17.4.1 Transfer Information Read Skip Function

Reading of vector addresses and transfer information can be skipped by setting the DTCCR.RRS bit. When a DTC activation request is generated, the current DTC vector number is compared to the DTC vector number in the previous activation process. When these vector numbers match and the RRS bit is set to 1, the DTC data transfer is performed without reading the vector address and transfer information. However, when the previous transfer is a chain transfer, the vector address and transfer information are read. Additionally, when the transfer counter (CRA register) becomes 0 during the previous normal transfer, or when the transfer counter (CRB register) becomes 0 during the previous block transfer, transfer information is read regardless of the value of the RRS bit. [Figure 17.12](#) shows an example of a transfer information read skip.

To update the vector table and transfer information, set the RRS bit to 0, update the vector table and transfer information, then set the RRS bit to 1. The stored vector number is discarded by setting the RRS bit to 0. The updated DTC vector table and transfer information are read in the next activation process.

17.4.2 Transfer Information Write-Back Skip Function

When the MRA.SM[1:0] bits or the MRB.DM[1:0] bits are set to address fixed, a part of the transfer information is not written back. [Table 17.4](#) lists the transfer information write-back skip conditions and the associated registers. The CRA and CRB registers are written back, and the write-back of the MRA and MRB registers is skipped.

Table 17.4 Transfer information write-back skip conditions and applicable registers

| MRA.SM[1:0] bits | | MRB.DM[1:0] bits | | SAR register | DAR register |
|------------------|----|------------------|----|--------------|--------------|
| b3 | b2 | b3 | b2 | | |
| 0 | 0 | 0 | 0 | Skip | Skip |
| 0 | 0 | 0 | 1 | | |
| 0 | 1 | 0 | 0 | | |
| 0 | 1 | 0 | 1 | | |
| 0 | 0 | 1 | 0 | Skip | Write-back |
| 0 | 0 | 1 | 1 | | |
| 0 | 1 | 1 | 0 | | |
| 0 | 1 | 1 | 1 | | |
| 1 | 0 | 0 | 0 | Write-back | Skip |
| 1 | 0 | 0 | 1 | | |
| 1 | 1 | 0 | 0 | | |
| 1 | 1 | 0 | 1 | | |
| 1 | 0 | 1 | 0 | Write-back | Write-back |
| 1 | 0 | 1 | 1 | | |
| 1 | 1 | 1 | 0 | | |
| 1 | 1 | 1 | 1 | | |

17.4.3 Normal Transfer Mode

The normal transfer mode allows a 1-byte (8 bit), 1-halfword (16 bit), 1-word (32 bit) data transfer on a single activation source. The transfer count can be set from 1 to 65536. Transfer source and transfer destination addresses can be independently set to increment, decrement, or remain fixed. This mode enables an interrupt request to the CPU to be generated at the end of a specified-count transfer.

[Table 17.5](#) lists register functions in normal transfer mode, and [Figure 17.5](#) shows the memory map of normal transfer mode.

Table 17.5 Register functions in normal transfer mode

| Register | Description | Value written back by writing transfer information |
|----------|------------------------------|----------------------------------------------------|
| SAR | Transfer source address | Increment, decrement, or fixed*1 |
| DAR | Transfer destination address | Increment, decrement, or fixed*1 |
| CRA | Transfer counter A | CRA - 1 |
| CRB | Transfer counter B | Not updated |

Note 1. Write-back operation is skipped in address-fixed mode.

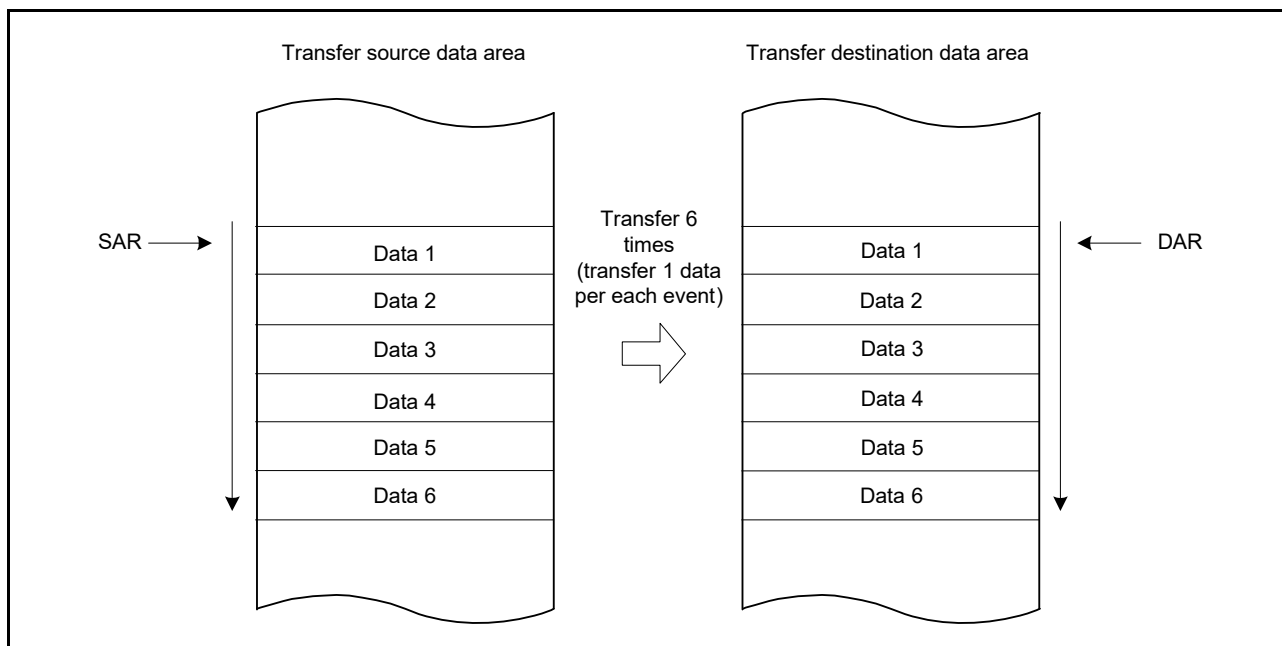


Figure 17.5 Memory map of normal transfer mode (MRA.SM[1:0] = 10b, MRB.DM[1:0] = 10b, CRA = 0006h)

17.4.4 Repeat Transfer Mode

The repeat transfer mode allows a 1-byte (8-bit), 1-halfword (16-bit), or 1-word (32-bit) data transfer on a single activation source. Transfer source or transfer destination for the repeat area must be specified in the MRB.DTS bit. The transfer count can be set from 1 to 256. When the specified-count transfer is complete, the initial value of the address register specified in the repeat area is restored, the initial value of the transfer counter is restored, and transfer is repeated. The other address register is incremented or decremented continuously or remains unchanged.

When the transfer counter CRAL decrements to 00h in repeat transfer mode, the CRAL value is updated to the value set in the CRAH register. As a result, the transfer counter does not become 00h, which disables interrupt requests to the CPU when the MRB.DISEL bit is set to 0. An interrupt request to the CPU is generated when the specified data transfer is complete.

Table 17.6 lists the register functions in repeat transfer mode, and Figure 17.6 shows the memory map of repeat transfer mode.

Table 17.6 Register functions in repeat transfer mode

| Register | Description | Value written back by writing transfer information | |
|----------|------------------------------|----------------------------------------------------|--------------------------------------------------------------------------------------------------------------------------------------------------------------------------------------|
| | | When CRAL is not 1 | When CRAL is 1 |
| SAR | Transfer source address | Increment, decrement, or fixed*1 | <ul style="list-style-type: none"> When the MRB.DTS bit is 0 Increment, decrement, or fixed*1 When the MRB.DTS bit is 1 SAR register initial value. |
| DAR | Transfer destination address | Increment/decrement/fixe*d*1 | <ul style="list-style-type: none"> When the MRB.DTS bit is 0 DAR register initial value When the MRB.DTS bit is 1 Increment, decrement, or fixe*d*1. |
| CRAH | Retains transfer counter | CRAH | CRAH |
| CRAL | Transfer counter A | CRAL - 1 | CRAH |
| CRB | Transfer counter B | Not updated | Not updated |

Note 1. Write-back is skipped in address-fixed mode.

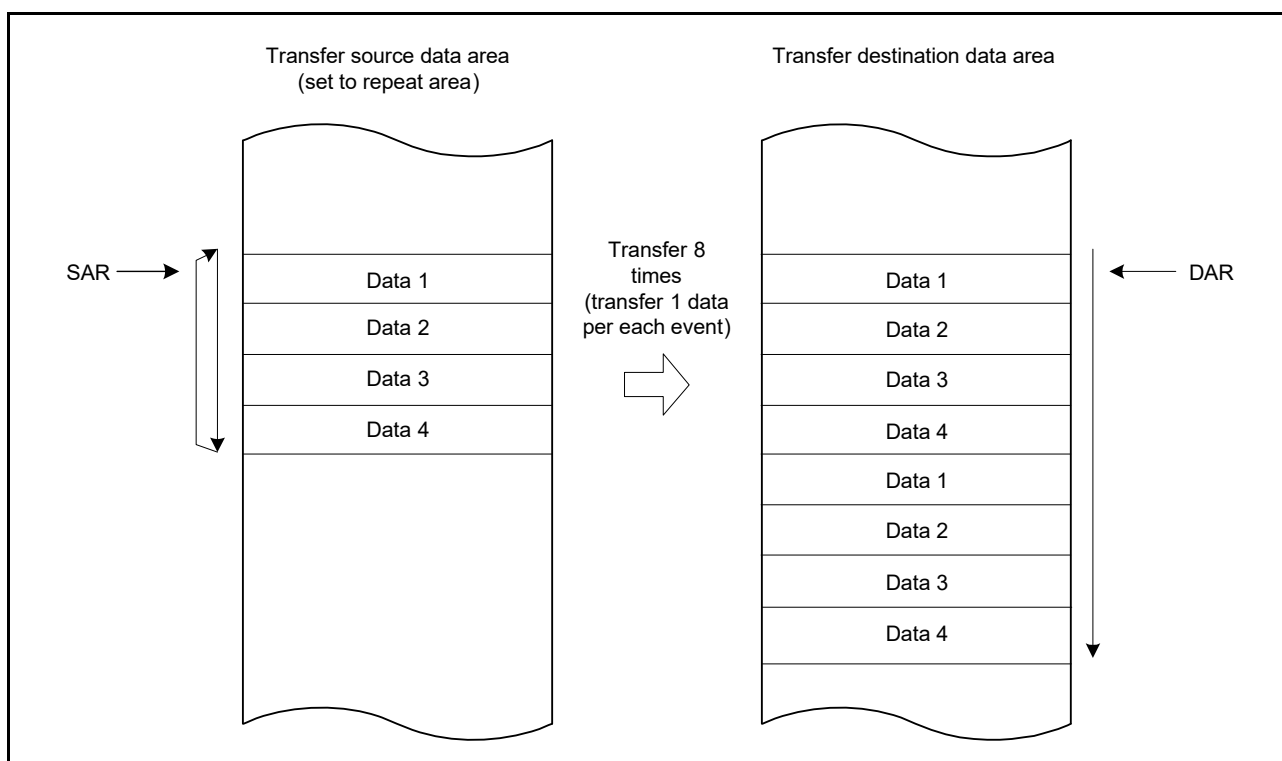


Figure 17.6 Memory map of repeat transfer mode when transfer source is a repeat area (MRA.SM[1:0] = 10b, MRB.DM[1:0] = 10b, CRAH = 04h)

17.4.5 Block Transfer Mode

The block transfer mode allows single-block data transfer on a single activation source. Transfer source or transfer destination for the block area must be specified in the MRB.DTS bit. The block size can be set from 1 to 256 bytes, 1 to 256 halfwords (2 to 512 bytes), or 1 to 256 words (4 to 1024 bytes). When transfer of the specified block completes, the initial values of the block size counter CRAL and the address register (the SAR register when the MRB.DTS bit = 1 or the DAR register when the DTS bit = 0) specified in the block area are restored. The other address register is incremented or decremented continuously or remains unchanged.

The transfer count (block count) can be set from 1 to 65536. This mode enables an interrupt request to the CPU to be generated at the end of the specified-count block transfer.

Table 17.7 lists register functions in block transfer mode, and Figure 17.7 shows the memory map for block transfer mode.

Table 17.7 Register functions in block transfer mode

| Register | Description | Value written back by writing transfer information |
|----------|------------------------------|-----------------------------------------------------------------------------------------------------------------------------------------------------------------------------|
| SAR | Transfer source address | <ul style="list-style-type: none"> When MRB.DTS bit is 0 Increment, decrement, or fixed*1 When MRB.DTS bit is 1 SAR register initial value. |
| DAR | Transfer destination address | <ul style="list-style-type: none"> When MRB.DTS bit is 0 DAR register initial value When MRB.DTS bit is 1 Increment, decrement, or fixed*1. |
| CRAH | Retains block size | CRAH |
| CRAL | Block size counter | CRAH |
| CRB | Block transfer counter | CRB - 1 |

Note 1. Write-back is skipped in address-fixed mode.

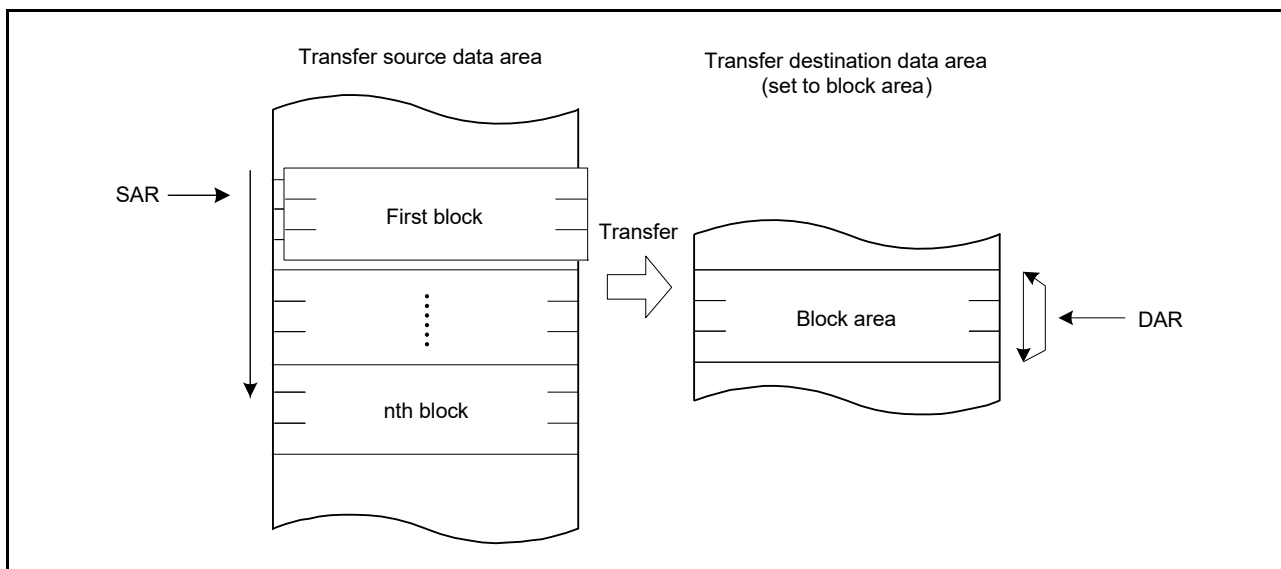


Figure 17.7 Memory map of block transfer mode

17.4.6 Chain Transfer

Setting the MRB.CHNE bit to 1 allows chain transfer to be performed continuously on a single activation source. If MRB.CHNE is set to 1 and CHNS to 0, an interrupt request to the CPU is not generated on completion of the specified number of rounds of transfer or by setting the MRB.DISEL bit to 1. An interrupt request is sent to the CPU each time DTC data transfer is performed. Data transfer has no effect on the ICU.IELSRn.IR bit of the activation source.

The SAR, DAR, CRA, CRB, MRA, and MRB registers can be set independently of each other to define data transfer. Figure 17.8 shows a chain transfer operation.

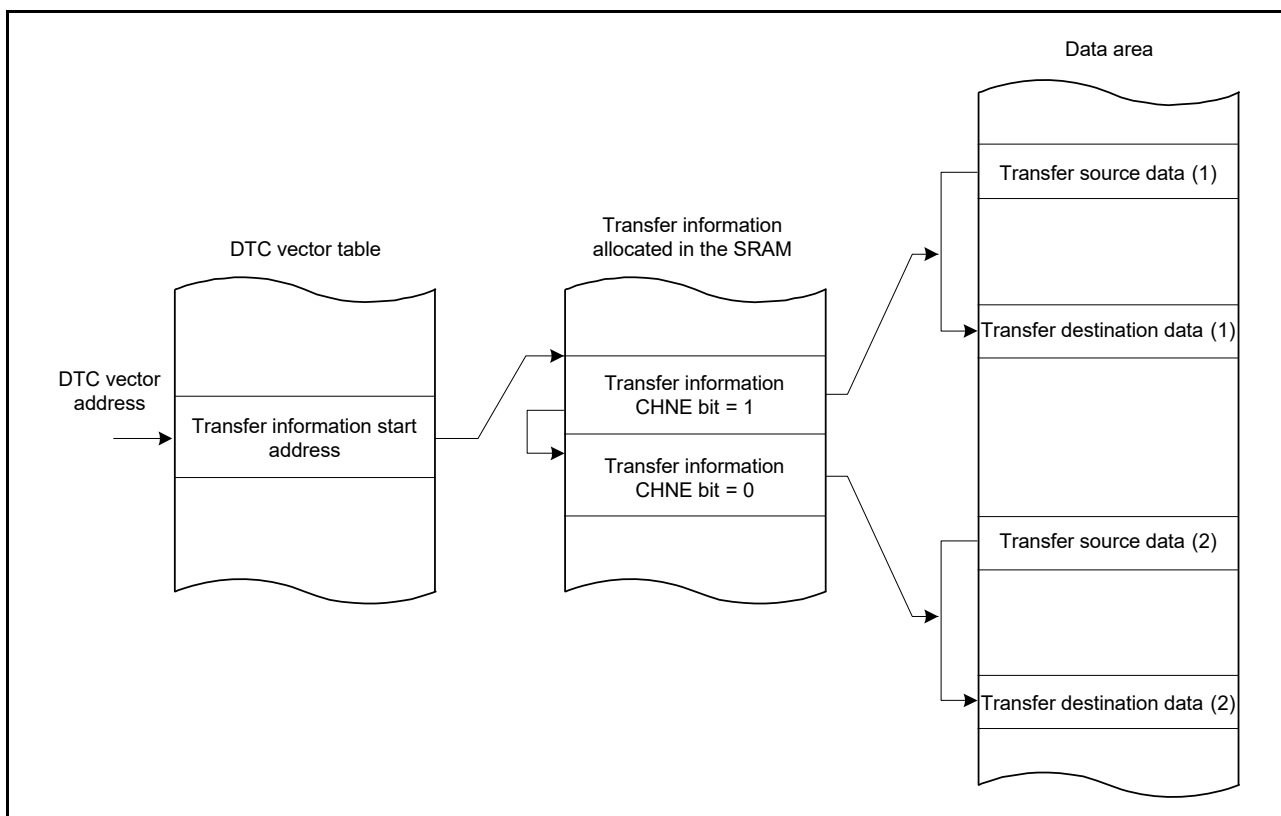


Figure 17.8 Chain transfer operation

Writing 1 to the MRB.CHNE and CHNS bits enables chain transfer to be performed only after completion of the specified data transfer. In repeat transfer mode, chain transfer is performed after completion of the specified data transfer. For details on chain transfer conditions, see [Table 17.3, Chain transfer conditions](#).

17.4.7 Operation Timing

Figure 17.9 to Figure 17.12 are timing diagrams that show the minimum number of execution cycles.

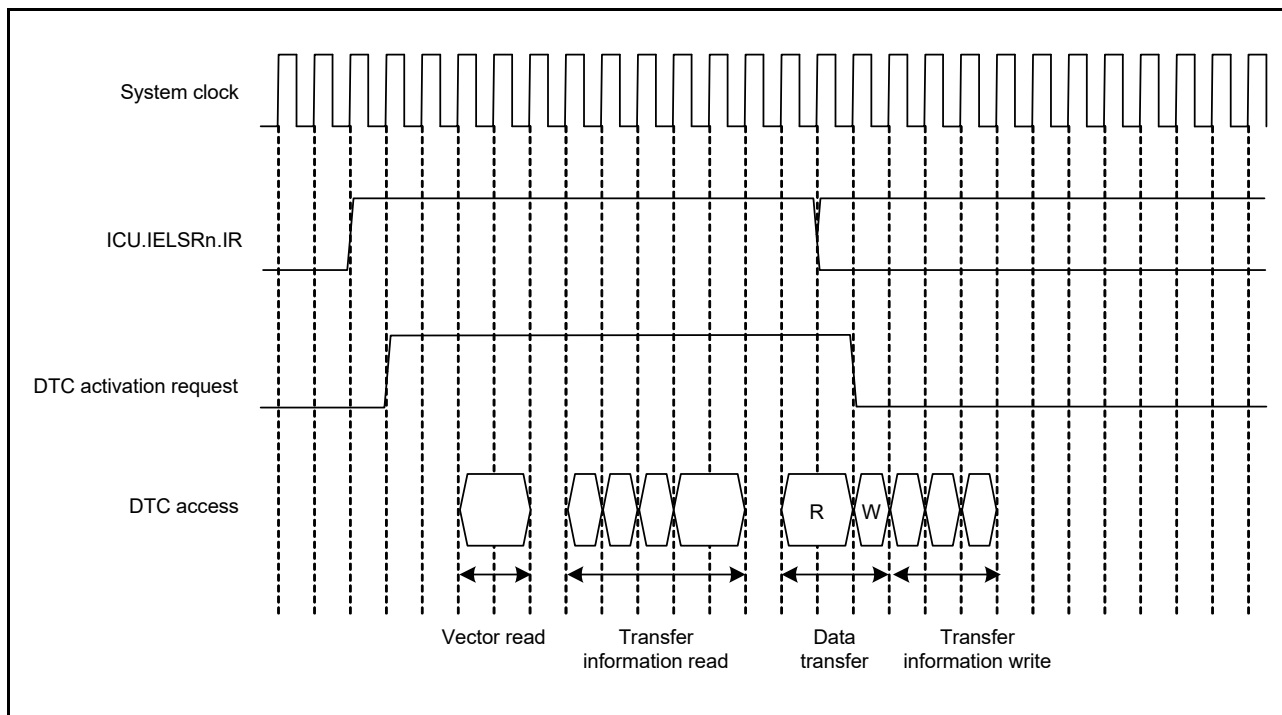


Figure 17.9 Example 1 of DTC operation timing in normal transfer mode, and repeat transfer mode

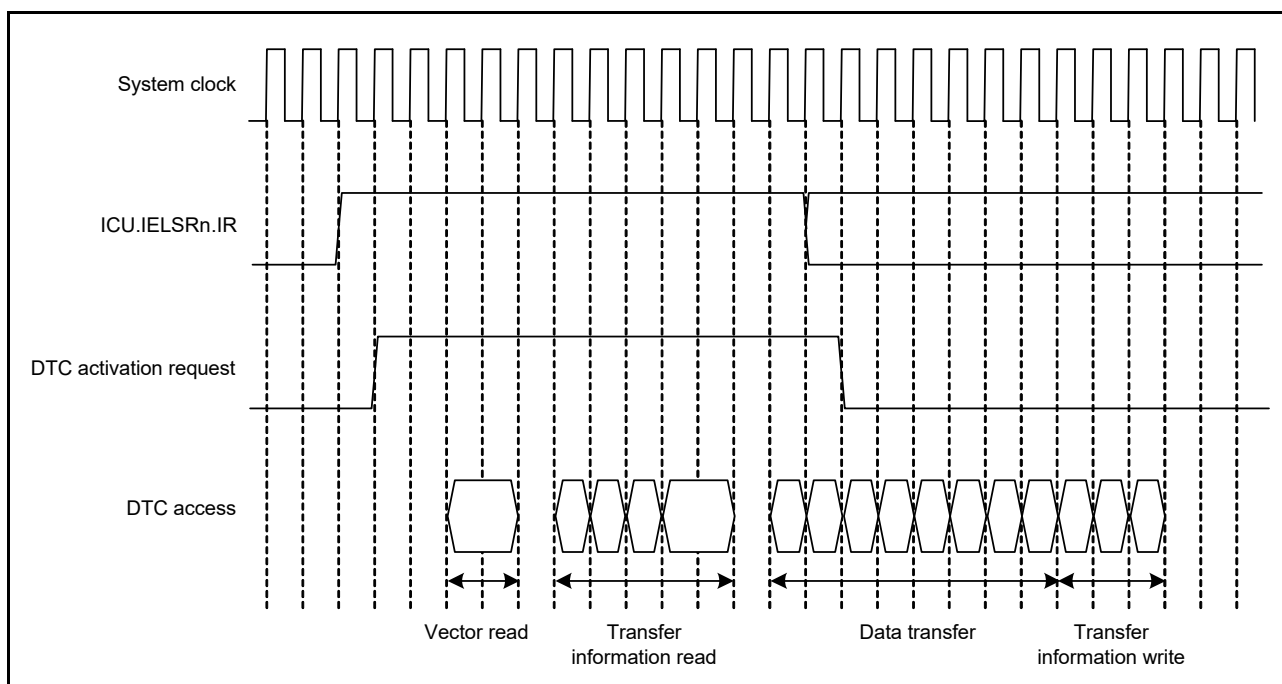


Figure 17.10 Example 2 of DTC operation timing in block transfer mode when block size = 4

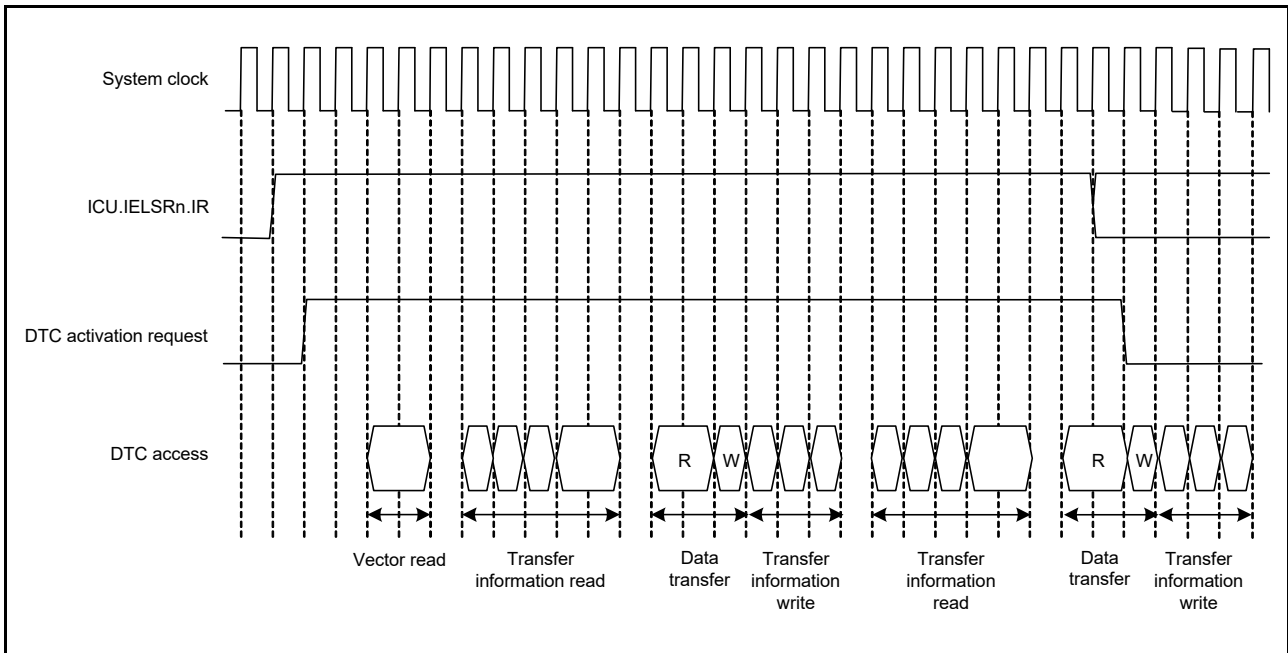


Figure 17.11 Example 3 of DTC operation timing for chain transfer

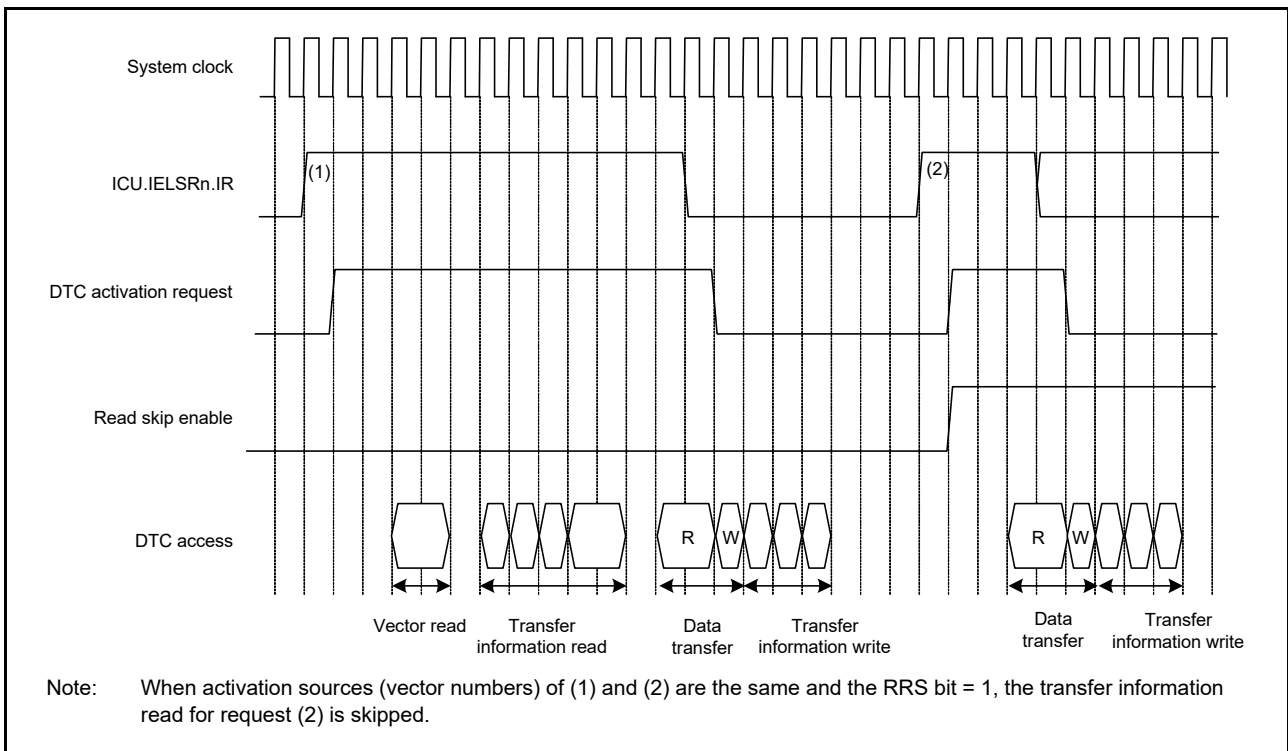


Figure 17.12 Example of operation when a transfer information read is skipped, with the vector, transfer information, transfer destination data on the SRAM, and the transfer source data on the peripheral module

17.4.8 Execution Cycles of DTC

Table 17.8 lists the execution cycles of single data transfer of the DTC.

For the order of the execution states, see [section 17.4.7, Operation Timing](#).

Table 17.8 Execution cycles of DTC

| Transfer mode | Vector read | | Transfer information read | | Transfer information write | | | Data transfer | | Internal operation | |
|---------------------|-------------|----------|---------------------------|----------|----------------------------|-------------------------|------------|----------------|----------------|--------------------|----------|
| | | | | | | | | Read | Write | | |
| Normal | $C_v + 1$ | 0^{*1} | $4 \times C_i + 1$ | 0^{*1} | $3 \times C_i + 1^{*2}$ | $2 \times C_i + 1^{*3}$ | C_i^{*4} | $C_r + 1$ | $C_w + 1$ | 2 | 0^{*1} |
| Repeat | | | | | | | | $C_r + 1$ | $C_w + 1$ | | |
| Block ^{*5} | | | | | | | | $P \times C_r$ | $P \times C_w$ | | |

Note 1. When transfer information read is skipped.

Note 2. When neither SAR nor DAR is set to address-fixed mode.

Note 3. When SAR or DAR is set to address-fixed mode.

Note 4. When SAR and DAR are set to address-fixed mode.

Note 5. When the block size is 2 or more. If the block size is 1, the cycle number for normal transfer is applied.

P: Block size (initial settings of CRAH and CRAL)

C_v : Cycles for access to vector transfer information storage destination

C_i : Cycles for access to transfer information storage destination address

C_r : Cycles for access to data read destination

C_w : Cycles for access to data write destination

The unit is system clocks (ICLK) for + 1 in the Vector read, Transfer information read, and Data transfer read columns and 2 in the Internal operation column.

C_v , C_i , C_r , and C_w vary depending on the corresponding access destination. For the number of cycles for respective access destinations, see [section 43, SRAM](#), [section 44, Flash Memory](#), and [section 14, Buses](#).

The frequency ratio of the system clock and peripheral clock is also taken into consideration.

The DTC response time is the time from when the DTC activation source is detected until DTC transfer starts.

This table does not include the time until DTC data transfer starts after the DTC activation source becomes active.

17.4.9 DTC Bus Mastership Release Timing

The DTC does not release the bus mastership during transfer information reads. Before the transfer information is read or written, the bus is arbitrated according to the priority determined by the bus master arbitrator. For bus arbitration, see [section 14, Buses](#).

17.5 DTC Setting Procedure

Before using the DTC, set the DTC Vector Base Register (DTCVBR). [Figure 17.13](#) shows the procedure for setting the DTC.

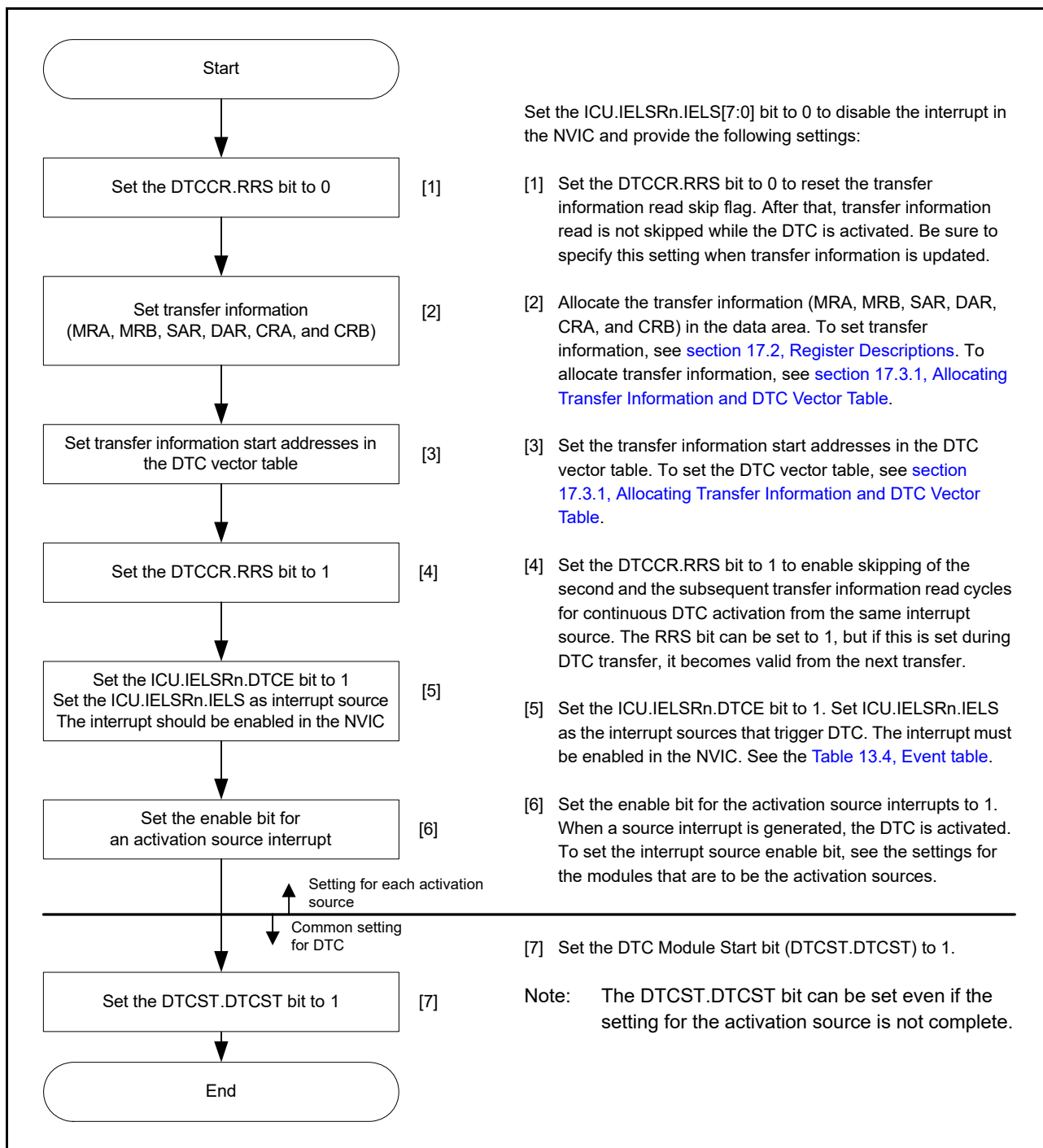


Figure 17.13 DTC setting procedure

17.6 Examples of DTC Usage

17.6.1 Normal Transfer

This section provides an example of DTC usage and its application when receiving 128 bytes of data from an SCI.

(1) Transfer information settings

In the MRA register, select a fixed source address (MRA.SM[1:0] bits = 00b), normal transfer mode (MRA.MD[1:0] bits = 00b), and byte-sized transfer (MRA.SZ[1:0] bits = 00b). In the MRB register, specify incrementation of the destination address (MRB.DM[1:0] bits = 10b) and single data transfer by a single interrupt (MRB.CHNE bit = 0 and MRB.DISEL bit = 0). The MRB.DTS bit can be set to any value. Set the RDR register address of the SCI in the SAR register, the start

address of the SRAM area for data storage in the DAR register, and 128 (0080h) in the CRA register. The CRB register can be set to any value.

(2) DTC vector table settings

The start address of the transfer information for the RXI interrupt is set in the vector table for the DTC.

(3) ICU settings and DTC module activation

Set the ICU.IELSRn.DTCE bit to 1 and set ICU.IELSRn.IELS as the SCI interrupt. The interrupt must be enabled in the NVIC. Set the DTCST.DTCST bit to 1.

(4) SCI settings

Enable the RXI interrupt by setting the SCR.RIE bit in the SCI to 1. If a reception error occurs during the SCI receive operation, reception stops. To manage this, use settings that allows the CPU to accept receive error interrupts.

(5) DTC transfer

Each time a reception of 1 byte by the SCI completes, an RXI interrupt is generated to activate the DTC. The DTC transfers the received byte from the RDR of the SCI to the SRAM, after which the DAR register is incremented and the CRA register is decremented.

(6) Interrupt handling

After 128 rounds of data transfer are complete and the value in the CRA register becomes 0, an RXI interrupt request is generated for the CPU. Complete the process in the handling routine for this interrupt.

17.6.2 Chain Transfer

This section provides an example of chain transfer by the DTC and describes its employment in the output of pulses by a General PWM Timer (GPT). You can use chain transfer to transfer PWM timer compare data and change the period of the PWM timer for the GPT.

For the first of the chain transfers, normal transfer mode is specified for transfer to the GPTm.GTCCRC register (m = 320 to 321, 162 to 167). For the second transfer, normal transfer mode is specified for transfer to the GPTm.GTCCRE registers. For the third transfer, normal transfer mode is specified for transfer to the GPTm.GTPBR registers. This is because clearing of the activation source and generation of an interrupt on completion of the specified number of transfers are restricted to the third of the chain transfers, that is, transfer while MRB.CHNE bit = 0.

The following example shows how to use the counter overflow interrupt with a GPT320.GTPR register as an activating source for the DTC.

(1) First transfer information setting

Set up transfer to the GPT320.GTCCRC registers:

1. In the MRA register, select incrementation of the source address (MRA.SM[1:0] bits = 10b).
2. Set the transfer to normal transfer mode (MRA.MD[1:0] bits = 00b) and word-sized transfer (MRA.SZ[1:0] bits = 10b).
3. In the MRB register, select the destination address as fixed (MRB.DM[1:0] bits = 00b) and set up chain transfer (MRB.CHNE bit = 1 and MRB.CHNS bit = 0).
4. Set the SAR to the first address of the data table.
5. Set the DAR register to the address of the GPT320.GTCCRC register.
6. Set the CRAH and CRAL registers to the size of the data table. The CRB register can be set to any value.

(2) Second transfer information setting

Set up transfer to the GPT320.GTCCRE registers:

1. In the MRA register, select incrementation of the source address (MRA.SM[1:0] bits = 10b).
2. Set the transfer in normal transfer mode (MRA.MD[1:0] bits = 00b) and word-sized transfer (MRA.SZ[1:0] bits = 10b).

3. In the MRB register, select the destination address as fixed (MRB.DM[1:0] bits = 00b) and set up chain transfer (MRB.CHNE bit = 1, MRB.CHNS bit = 0).
4. Set the SAR register to the first address of the data table.
5. Set the DAR register to the address of the GPT320.GTCCRE register.
6. Set the CRAH and CRAL registers to the size of the data table. The CRB register can be set to any value.

(3) Third transfer information set

Set up transfer to the GPT320.GTPBR registers:

1. In the MRA register, select incrementation of the source address (MRA.SM[1:0] bits = 10b).
2. Set the transfer in normal transfer mode (MRA.MD[1:0] bits = 00b) and word-sized transfer (MRA.SZ[1:0] bits = 10b)
3. In the MRB register, select the destination address as fixed (MRB.DM[1:0] bits = 00b) and for the single data transfer per interrupt (MRB.CHNE bit = 0, MRB.DISEL bit = 0). The MRB.DTS bit can be set to any value.
4. Set the SAR register to the first address of the data table.
5. Set the DAR register to the address of the GPT320.GTPBR registers.
6. Set the CRA register to the size of the data table. The CRB register can be set to any value.

(4) Transfer information assignment

Place the transfer information for use in the transfer to the GPT320.GTPBR immediately after the transfer control information for use in the GPT320.GTCCRC and GPT320.GTCCRE registers.

(5) DTC vector table

In the DTC vector table, set the address where the transfer control information for use in transfer to the GPT320.GTCCRC and GPT320.GTCCRE registers starts.

(6) ICU setting and DTC module activation

1. Set the ICU.IELSRn.DTCE bit associated with the GPT320 counter overflow interrupt.
2. Set the ICU.IELSRn.IELS[7:0] to 93 (5Dh) for the GPT320 counter overflow.
3. Set the DTCST.DTCST bit to 1.

(7) GPT setting

1. Set the GPT320.GTIOR register so that the GTCCRA and GTCCRB registers operate as output compare registers.
2. Set the default PWM timer compare values in the GPT320.GTCCRA and GPT320.GTCCRB registers and the next PWM timer compare values in the GPT320.GTCCRC and GPT320.GTCCRE registers.
3. Set the default PWM timer period values in the GPT320.GTPR register and the next PWM timer period values in the GPT320.GTPBR register.
4. Set 1 to the output bit in PmnPFS.PDR, and set 00011b to the peripheral select bits in PmnPFS.PSEL[4:0].

(8) GPT activation

Set the GPT320.GTSTR.CSTRT bits to 1 to start the GPT320.GTCNT counter.

(9) DTC transfer

Each time a GPT320 counter overflow is generated with the GPT320.GTPR register, the next PWM timer compare values are transferred to the GPT320.GTCCRC and GPT320.GTCCRE registers. The setting for the next PWM timer period is transferred to the GPT320.GTPBR register.

(10) Interrupt handling

After the specified rounds of data transfer are complete, for example when the value in the CRA register for GPT transfer becomes 0, a GPT320 counter overflow interrupt request is issued for the CPU. Complete the process for this interrupt in

the handling routine.

17.6.3 Chain Transfer when Counter = 0

The second data transfer is performed only when the transfer counter is set to 0 in the first data transfer, and the first data transfer information is repeatedly changed in the second transfer. Chain transfers enables transfers to be repeated 256 times or more.

The following procedure shows an example of configuring a 128-KB input buffer, where the input buffer is set so that its lower address starts with 0000h. [Figure 17.14](#) shows a chain transfer when the counter = 0.

1. Set the normal transfer mode to input data for the first data transfer. Set the following:
 - a. Transfer source address = fixed.
 - b. CRA register = 0000h (65536) times.
 - c. MRB.CHNE bit = 1 (chain transfer is enabled).
 - d. MRB.CHNS bit = 1 (chain transfer is performed only when the transfer counter is 0).
 - e. MRB.DISEL bit = 0 (an interrupt request to the CPU is generated when the specified data transfer completes).
2. Prepare the upper 8-bit address of the start address at every 65536 times of the transfer destination address for the first data transfer in different area such as the flash. For example, when setting the input buffer to 20 0000h to 21 FFFFh, prepare 21h and 20h.
3. For the second data transfer:
 - f. Set the repeat transfer mode (with the source as the repeat area) to reset the transfer destination address of the first data transfer.
 - g. Specify the upper 8 bits of the DAR register in the first transfer information area for the transfer destination.
 - h. Set the MRB.CHNE bit = 0 (chain transfer is disabled).
 - i. Set the MRB.DISEL bit = 0 (an interrupt request to the CPU is generated when the specified data transfer completes).
 - j. When setting the input buffer to 20 0000h to 21 FFFFh, also set the transfer counter to 2.
4. The first data transfer is performed by an interrupt 65536 times. When the transfer counter of the first data transfer becomes 0, the second data transfer starts. Set the upper 8 bits of the transfer destination address of the first data transfer to 21h. The lower 16 bits of the transfer destination address and the transfer counter of the first data transfer become 0000h.
5. In succession, the first data transfer is performed by an interrupt 65536 times as specified for the first data transfer. When the transfer counter of the first data transfer becomes 0, the second data transfer starts. Set the upper 8 bits of the transfer destination address of the first data transfer to 20h. The lower 16 bits of the transfer destination address and the transfer counter of the first data transfer become 0000h.
6. Steps 4 and 5 are repeated indefinitely. Because the second data transfer is in repeat transfer mode, no interrupt request to the CPU is generated.

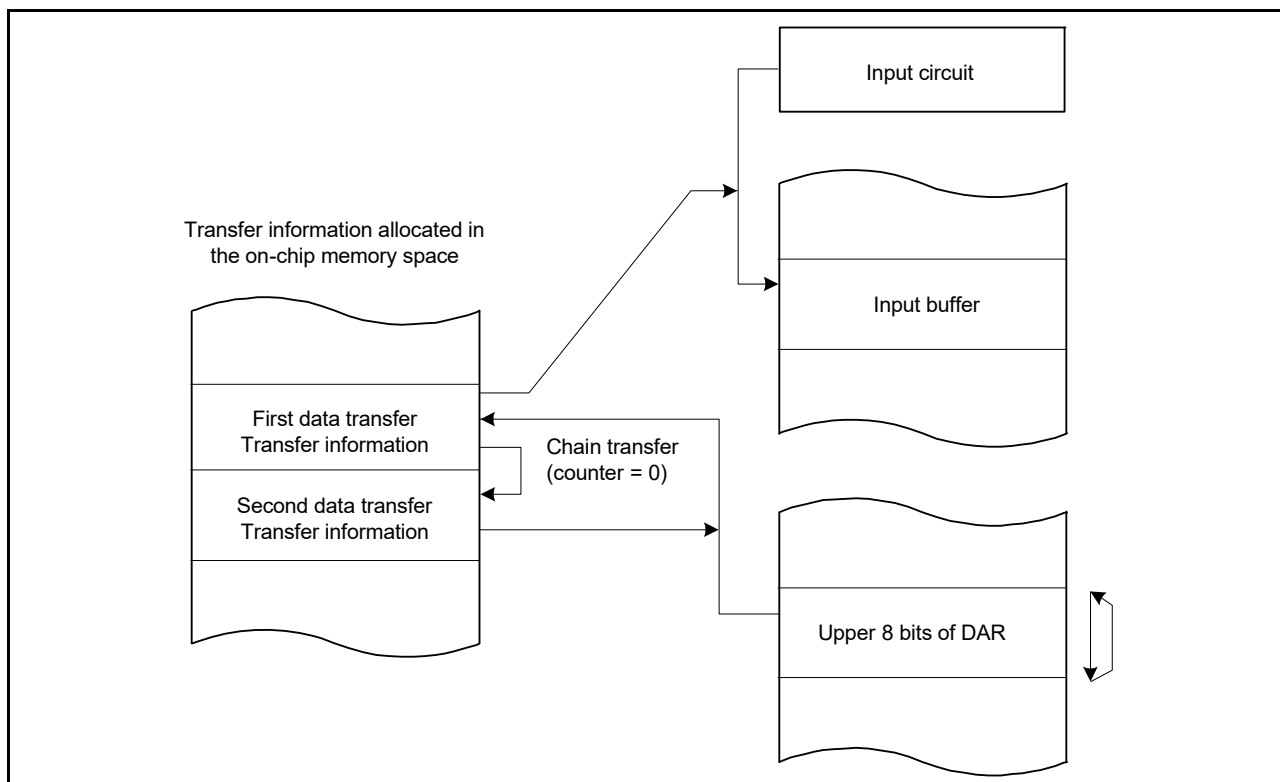


Figure 17.14 Chain transfer when counter = 0

17.7 Interrupt Source

When the DTC completes data transfer of the specified count or when data transfer with MRB.DISEL set to 1 is complete, a DTC activation source generates an interrupt to the CPU. Interrupts to the CPU are controlled according to the settings in the NVIC and ICU.IELSRn.IELS[7:0]. See [section 13, Interrupt Controller Unit \(ICU\)](#).

The DTC prioritizes activation sources by granting the smaller interrupt vector numbers higher priority. The priority of interrupts to the CPU is determined by the NVIC priority.

17.8 Event Link

The DTC can produce an event link request on completion of one transfer request.

17.9 Snooze Control Interface

To return to Software Standby mode from Snooze mode through the DTC, set SYSTEM.SNZEDCR.DTCZRED or SYSTEM.SNZEDCR.DTCNZRED to 1. See [section 10.8.3, Returning to Software Standby Mode](#).

SYSTEM.SNZEDCR.DTCZRED enables or disables a snooze end request on completion of the last DTC transmission completion, detected on DTC transmission completion of CRA and CRB are 0.

SYSTEM.SNZEDCR.DTCNZRED enables or disables a snooze end request on a not last DTC transmission completion (CRA and CRB are not 0), detected on DTC transmission completion of CRA and CRB are not 0.

17.10 Module-Stop Function

Before transitioning to the module-stop function, Software Standby mode without Snooze mode transition, set the DTCST.DTCST bit to 0, and then perform the operations described in the sections that follow. The DTC is available in Snooze mode by setting SYSTEM.SNZCR.SNZDTCEN to 1. See [section 10, Low Power Modes](#).

(1) Module-stop function

Writing 1 to the MSTPCRA.MSTPA22 bit enables the module-stop function of the DTC. If the DTC transfer is in progress at the time, 1 is written to the MSTPCRA.MSTPA22 bit. The transition to the module-stop state proceeds after

DTC transfer ends. While the MSTPCRA.MSTPA22 bit is 1, accessing the DTC registers is prohibited. Writing 0 to the MSTPCRA.MSTPA22 bit releases the DTC from the module-stop state.

(2) Software Standby mode

Use the settings described in [section 10.7.1, Transition to Software Standby Mode](#).

If DTC transfer operations are in progress when the WFI instruction is executed, the transition to Software Standby mode follows the completion of the DTC transfer.

When the snooze control circuit receives a snooze request in Software Standby mode, the MCU transfers to Snooze mode. See [section 10.8.1, Transition to Snooze Mode](#). DTC operation in Snooze mode can be selected in the SYSTEM.SNZCR.SNZDTCEN bit. If DTC operation is enabled in Snooze mode, before transitioning to Software Standby mode, set the DTCST.DTCST bit to 1. To return to Software Standby mode through the DTC, set SYSTEM.SNZEDCR.DTCZRED or SYSTEM.SNZEDCR.DTCNZRED to 1. See [section 10.8.3, Returning to Software Standby Mode](#). The DTC activation request from the ICU is stopped during Software Standby mode but not during Snooze mode.

(3) Notes on the module-stop function

For the WFI instruction and the register setting procedure, see [section 10, Low Power Modes](#).

To perform a DTC transfer after returning from a low power mode without Snooze mode transition, set the DTCST.DTCST bit to 1 again.

To use a request that is generated in Software Standby mode as an interrupt request to the CPU but not as a DTC activation request, specify the CPU as the interrupt request destination as described in [section 13.4.2, Selecting Interrupt Request Destinations](#), then execute a WFI instruction. If DTC operation is enabled in Snooze mode, do not use the module-stop function of the DTC.

17.11 Usage Notes

17.11.1 Transfer Information Start Address

You must set multiples of 4 for the transfer information start addresses in the vector table. Otherwise, such addresses are accessed with their lowest 2 bits regarded as 00b.

18. Event Link Controller (ELC)

18.1 Overview

The Event Link Controller (ELC) uses the event requests generated by various peripheral modules as source signals to connect them to different modules, allowing direct link between the modules without CPU intervention.

Table 18.1 lists the ELC specifications and Figure 18.1 shows the block diagram.

Table 18.1 ELC specifications

| Parameter | Description |
|----------------------|---------------------------------------------------------------------------------------------------------------------------------------------------------------------------------------------|
| Event link function | <ul style="list-style-type: none"> 150 types of event signals can be directly connected to modules. The ELC can generate ELC event signal, and events that activate the DTC. |
| Module-stop function | Module-stop state can be set |

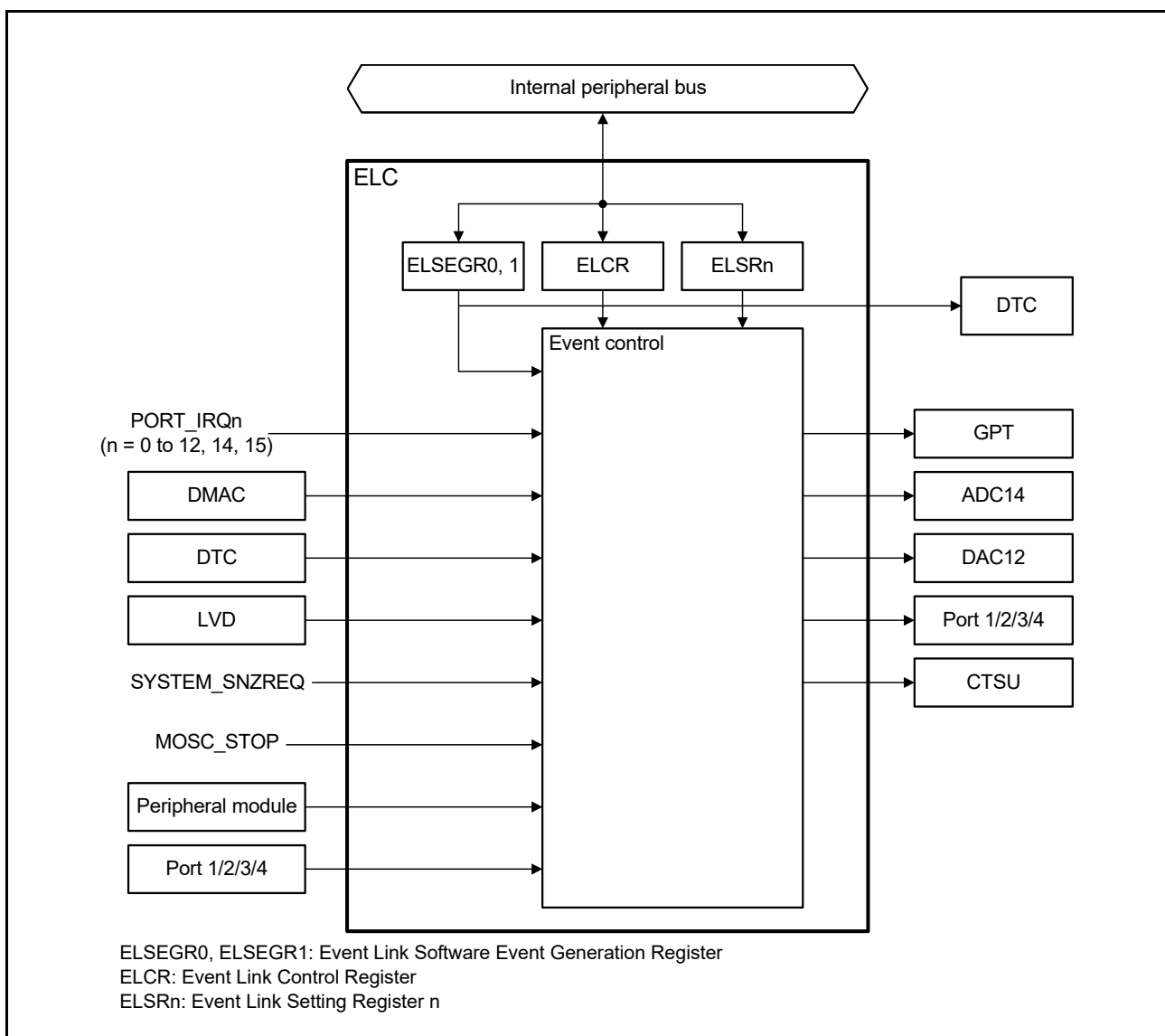


Figure 18.1 ELC block diagram (n = 0 to 9, 12, 14 to 18)

18.2 Register Descriptions

18.2.1 Event Link Controller Register (ELCR)

Address(es): [ELC.ELCR 4004 1000h](#)

| | | | | | | | |
|-------|----|----|----|----|----|----|----|
| b7 | b6 | b5 | b4 | b3 | b2 | b1 | b0 |
| ELCON | — | — | — | — | — | — | — |

Value after reset: 0 0 0 0 0 0 0 0

| Bit | Symbol | Bit name | Description | R/W |
|----------|-----------------------|-----------------------|--------------------------------------------------------|-----|
| b6 to b0 | — | Reserved | These bits are read as 0. The write value should be 0. | R/W |
| b7 | ELCON | All Event Link Enable | 0: ELC function disabled 1: ELC function enabled. | R/W |

The ELCR register controls the ELC operation.

18.2.2 Event Link Software Event Generation Register n (ELSEGRn) (n = 0, 1)

Address(es): [ELC.ELSEGR0 4004 1002h](#), [ELC.ELSEGR1 4004 1004h](#)

| | | | | | | | |
|----|----|----|----|----|----|----|-----|
| b7 | b6 | b5 | b4 | b3 | b2 | b1 | b0 |
| WI | WE | — | — | — | — | — | SEG |

Value after reset: 1 0 0 0 0 0 0 0

| Bit | Symbol | Bit name | Description | R/W |
|----------|---------------------|-------------------------------|------------------------------------------------------------------------------|-----|
| b0 | SEG | Software Event Generation | 0: Normal operation 1: Software event is generated. | W |
| b5 to b1 | — | Reserved | These bits are read as 0. The write value should be 0. | R/W |
| b6 | WE | SEG Bit Write Enable | 0: Write to SEG bit disabled 1: Write to SEG bit enabled. | R/W |
| b7 | WI | ELSEGR Register Write Disable | 0: Write to ELSEGR register enabled 1: Write to ELSEGR register disabled. | W |

[SEG bit \(Software Event Generation\)](#)

When 1 is written to the SEG bit while the WE bit is 1, a software event is generated. This bit is read as 0. Even when 1 is written to this bit, data is not stored. The WE bit must be set to 1 before writing to this bit.

A software event can trigger a linked DTC event.

[WE bit \(SEG Bit Write Enable\)](#)

The SEG bit can only be written to when the WE bit is 1. Clear the WI bit to 0 before writing to this bit.

[Setting condition]

- If 1 is written to this bit while the WI bit is 0, this bit becomes 1.

[Clearing condition]

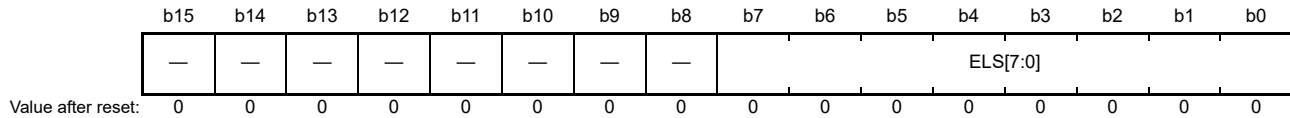
- If 0 is written to this bit while the WI bit is 0, this bit becomes 0.

[WI bit \(ELSEGR Register Write Disable\)](#)

The ELSEGR register can only be written to when the write value to the WI bit is 0. This bit is read as 1. Before setting the WE or SEG bit, the WI bit must be set to 0.

18.2.3 Event Link Setting Register n (ELSRn) (n = 0 to 9, 12, 14 to 18)

Address(es): [ELC.ELSR0 4004 1010h](#), [ELC.ELSR1 4004 1014h](#), [ELC.ELSR2 4004 1018h](#), [ELC.ELSR3 4004 101Ch](#), [ELC.ELSR4 4004 1020h](#), [ELC.ELSR5 4004 1024h](#), [ELC.ELSR6 4004 1028h](#), [ELC.ELSR7 4004 102Ch](#), [ELC.ELSR8 4004 1030h](#), [ELC.ELSR9 4004 1034h](#), [ELC.ELSR12 4004 1040h](#), [ELC.ELSR14 4004 1048h](#), [ELC.ELSR15 4004 104Ch](#), [ELC.ELSR16 4004 1050h](#), [ELC.ELSR17 4004 1054h](#), [ELC.ELSR18 4004 1058h](#)



| Bit | Symbol | Bit name | Description | R/W |
|-----------|--------------------------|-------------------|--------------------------------------------------------------------------------------------------------------------------------------------------------------------------------------------|-----|
| b7 to b0 | ELS[7:0] | Event Link Select | b7 b0 00000000: Event output disabled for the associated peripheral module 00000001 to 10110110: Number setting for the event signal to be linked. Other settings are prohibited. | R/W |
| b15 to b8 | — | Reserved | These bits are read as 0. The write value should be 0. | R/W |

The ELSRn register specifies an event signal to be linked to each peripheral module. [Table 18.2](#) shows the association between the ELSRn register and the peripheral modules. [Table 18.3](#) shows the association between the event signal names set in the ELSRn register and the signal numbers.

Table 18.2 Association between the ELSRn registers and peripheral functions

| Register name | Peripheral function (module) | Event name |
|---------------|------------------------------|------------|
| ELSR0 | GPT (A) | ELC_GPTA |
| ELSR1 | GPT (B) | ELC_GPTB |
| ELSR2 | GPT (C) | ELC_GPTC |
| ELSR3 | GPT (D) | ELC_GPTD |
| ELSR4 | GPT (E) | ELC_GPTE |
| ELSR5 | GPT (F) | ELC_GPTF |
| ELSR6 | GPT (G) | ELC_GPTG |
| ELSR7 | GPT (H) | ELC_GPTH |
| ELSR8 | ADC14A | ELC_AD00 |
| ELSR9 | ADC14B | ELC_AD01 |
| ELSR12 | DAC12 | ELC_DA0 |
| ELSR14 | PORT 1 | ELC_PORT1 |
| ELSR15 | PORT 2 | ELC_PORT2 |
| ELSR16 | PORT 3 | ELC_PORT3 |
| ELSR17 | PORT 4 | ELC_PORT4 |
| ELSR18 | CTSU | ELC_CTSU |

Table 18.3 Association between event signal names set in ELSRn.ELS bits and signal numbers (1 of 4)

| Event number | Source of interrupt request generation | Name | Description |
|--------------|----------------------------------------|---------------------|-----------------------------------------|
| 001h | Port | PORT_IRQ0*1 | External pin interrupt 0 |
| 002h | | PORT_IRQ1*1 | External pin interrupt 1 |
| 003h | | PORT_IRQ2*1 | External pin interrupt 2 |
| 004h | | PORT_IRQ3*1 | External pin interrupt 3 |
| 005h | | PORT_IRQ4*1 | External pin interrupt 4 |
| 006h | | PORT_IRQ5*1 | External pin interrupt 5 |
| 007h | | PORT_IRQ6*1 | External pin interrupt 6 |
| 008h | | PORT_IRQ7*1 | External pin interrupt 7 |
| 009h | | PORT_IRQ8*1 | External pin interrupt 8 |
| 00Ah | | PORT_IRQ9*1 | External pin interrupt 9 |
| 00Bh | | PORT_IRQ10*1 | External pin interrupt 10 |
| 00Ch | | PORT_IRQ11*1 | External pin interrupt 11 |
| 00Dh | | PORT_IRQ12*1 | External pin interrupt 12 |
| 00Fh | | PORT_IRQ14*1 | External pin interrupt 14 |
| 010h | | PORT_IRQ15*1 | External pin interrupt 15 |
| 011h | DMAC0 | DMAC0_INT | DMAC transfer end 0 |
| 012h | DMAC1 | DMAC1_INT | DMAC transfer end 1 |
| 013h | DMAC2 | DMAC2_INT | DMAC transfer end 2 |
| 014h | DMAC3 | DMAC3_INT | DMAC transfer end 3 |
| 016h | DTC | DTC_DTCEND*3 | DTC transfer end |
| 019h | LVD | LVD_LVD1 | Voltage monitor 1 interrupt |
| 01Ah | | LVD_LVD2 | Voltage monitor 2 interrupt |
| 01Ch | MOSC | MOSC_STOP | Main clock oscillation stop |
| 01Dh | Low power mode | SYSTEM_SNZREQ*2, *3 | Snooze entry |
| 01Eh | AGT0 | AGT0_AGTI | AGT interrupt |
| 01Fh | | AGT0_AGTCMAI | Compare match A |
| 020h | | AGT0_AGTCMBI | Compare match B |
| 021h | AGT1 | AGT1_AGTI | AGT interrupt |
| 022h | | AGT1_AGTCMAI | Compare match A |
| 023h | | AGT1_AGTCMBI | Compare match B |
| 024h | IWDT | IWDT_NMIUNDF | IWDT underflow |
| 025h | WDT | WDT_NMIUNDF | WDT underflow |
| 027h | RTC | RTC_PRD | Periodic interrupt |
| 029h | ADC140 | ADC140_ADI | A/D scan end interrupt |
| 02Dh | | ADC140_WCMPPM*3 | Compare match |
| 02Eh | | ADC140_WCMPUM*3 | Compare mismatch |
| 02Fh | ACMPLP | ACMP_LP0 | Low-power analog comparator interrupt 0 |
| 030h | | ACMP_LP1 | Low-power analog comparator interrupt 1 |
| 035h | IIC0 | IIC0_RXI | Receive data full |
| 036h | | IIC0_TXI | Transmit data empty |
| 037h | | IIC0_TEI | Transmit end |
| 038h | | IIC0_EEI | Transfer error |

Table 18.3 Association between event signal names set in ELSRn.ELS bits and signal numbers (2 of 4)

| Event number | Source of interrupt request generation | Name | Description |
|--------------|----------------------------------------|---------------|----------------------------------|
| 03Ah | IIC1 | IIC1_RXI | Receive data full |
| 03Bh | | IIC1_TXI | Transmit data empty |
| 03Ch | | IIC1_TEI | Transmit end |
| 03Dh | | IIC1_EEI | Transfer error |
| 046h | DOC | DOC_DOPCI*3 | Data operation circuit interrupt |
| 04Fh | I/O Port | IOPORT_GROUP1 | Port 1 event |
| 050h | | IOPORT_GROUP2 | Port 2 event |
| 051h | | IOPORT_GROUP3 | Port 3 event |
| 052h | | IOPORT_GROUP4 | Port 4 event |
| 053h | ELC | ELC_SWEVT0 | Software event 0 |
| 054h | | ELC_SWEVT1 | Software event 1 |
| 057h | GPT320 | GPT0_CCMPA | Compare match A |
| 058h | | GPT0_CCMPB | Compare match B |
| 059h | | GPT0_CMPC | Compare match C |
| 05Ah | | GPT0_CMPD | Compare match D |
| 05Bh | | GPT0_CMPE | Compare match E |
| 05Ch | | GPT0_CMPF | Compare match F |
| 05Dh | | GPT0_OVF | Overflow |
| 05Eh | | GPT0_UDF | Underflow |
| 05Fh | | GPT321 | GPT1_CCMPA |
| 060h | GPT1_CCMPB | | Compare match B |
| 061h | GPT1_CMPC | | Compare match C |
| 062h | GPT1_CMPD | | Compare match D |
| 063h | GPT1_CMPE | | Compare match E |
| 064h | GPT1_CMPF | | Compare match F |
| 065h | GPT1_OVF | | Overflow |
| 066h | GPT1_UDF | | Underflow |
| 067h | GPT162 | | GPT2_CCMPA |
| 068h | | GPT2_CCMPB | Compare match B |
| 069h | | GPT2_CMPC | Compare match C |
| 06Ah | | GPT2_CMPD | Compare match D |
| 06Bh | | GPT2_CMPE | Compare match E |
| 06Ch | | GPT2_CMPF | Compare match F |
| 06Dh | | GPT2_OVF | Overflow |
| 06Eh | | GPT2_UDF | Underflow |
| 06Fh | | GPT163 | GPT3_CCMPA |
| 070h | GPT3_CCMPB | | Compare match B |
| 071h | GPT3_CMPC | | Compare match C |
| 072h | GPT3_CMPD | | Compare match D |
| 073h | GPT3_CMPE | | Compare match E |
| 074h | GPT3_CMPF | | Compare match F |
| 075h | GPT3_OVF | | Overflow |
| 076h | GPT3_UDF | | Underflow |

Table 18.3 Association between event signal names set in ELSRn.ELS bits and signal numbers (3 of 4)

| Event number | Source of interrupt request generation | Name | Description |
|--------------|----------------------------------------|-------------|---------------------|
| 077h | GPT164 | GPT4_CCMPA | Compare match A |
| 078h | | GPT4_CCMPB | Compare match B |
| 079h | | GPT4_CMPC | Compare match C |
| 07Ah | | GPT4_CMPD | Compare match D |
| 07Bh | | GPT4_CMPE | Compare match E |
| 07Ch | | GPT4_CMPF | Compare match F |
| 07Dh | | GPT4_OVF | Overflow |
| 07Eh | | GPT4_UDF | Underflow |
| 07Fh | GPT165 | GPT5_CCMPA | Compare match A |
| 080h | | GPT5_CCMPB | Compare match B |
| 081h | | GPT5_CMPC | Compare match C |
| 082h | | GPT5_CMPD | Compare match D |
| 083h | | GPT5_CMPE | Compare match E |
| 084h | | GPT5_CMPF | Compare match F |
| 085h | | GPT5_OVF | Overflow |
| 086h | | GPT5_UDF | Underflow |
| 087h | GPT166 | GPT6_CCMPA | Compare match A |
| 088h | | GPT6_CCMPB | Compare match B |
| 089h | | GPT6_CMPC | Compare match C |
| 08Ah | | GPT6_CMPD | Compare match D |
| 08Bh | | GPT6_CMPE | Compare match E |
| 08Ch | | GPT6_CMPF | Compare match F |
| 08Dh | | GPT6_OVF | Overflow |
| 08Eh | | GPT6_UDF | Underflow |
| 08Fh | GPT167 | GPT7_CCMPA | Compare match A |
| 090h | | GPT7_CCMPB | Compare match B |
| 091h | | GPT7_CMPC | Compare match C |
| 092h | | GPT7_CMPD | Compare match D |
| 093h | | GPT7_CMPE | Compare match E |
| 094h | | GPT7_CMPF | Compare match F |
| 095h | | GPT7_OVF | Overflow |
| 096h | | GPT7_UDF | Underflow |
| 097h | GPT | GPT_UVWEDGE | UVW edge event |
| 098h | SCI0 | SCI0_RXI*4 | Receive data full |
| 099h | | SCI0_TXI*4 | Transmit data empty |
| 09Ah | | SCI0_TEI | Transmit end |
| 09Bh | | SCI0_ERI*4 | Receive error |
| 09Ch | | SCI0_AM | Address match event |
| 09Eh | SCI1 | SCI1_RXI*4 | Receive data full |
| 09Fh | | SCI1_TXI*4 | Transmit data empty |
| 0A0h | | SCI1_TEI | Transmit end |
| 0A1h | | SCI1_ERI*4 | Receive error |
| 0A2h | | SCI1_AM | Address match event |

Table 18.3 Association between event signal names set in ELSRn.ELS bits and signal numbers (4 of 4)

| Event number | Source of interrupt request generation | Name | Description |
|--------------|----------------------------------------|-------------|------------------------------|
| 0A3h | SCI2 | SCI2_RXI | Receive data full |
| 0A4h | | SCI2_TXI | Transmit data empty |
| 0A5h | | SCI2_TEI | Transmit end |
| 0A6h | | SCI2_ERI | Receive error |
| 0A7h | | SCI2_AM | Address match event |
| 0A8h | SCI9 | SCI9_RXI | Receive data full |
| 0A9h | | SCI9_TXI | Transmit data empty |
| 0AAh | | SCI9_TEI | Transmit end |
| 0ABh | | SCI9_ERI | Receive error |
| 0ACh | | SCI9_AM | Address match event |
| 0ADh | SPI0 | SPI0_SPRI | Receive buffer full |
| 0AEh | | SPI0_SPTI | Transmit buffer empty |
| 0AFh | | SPI0_SPII | Idle |
| 0B0h | | SPI0_SPEI | Error |
| 0B1h | | SPI0_SPTEND | Transmission completed event |
| 0B2h | SPI1 | SPI1_SPRI | Receive buffer full |
| 0B3h | | SPI1_SPTI | Transmit buffer empty |
| 0B4h | | SPI1_SPII | Idle |
| 0B5h | | SPI1_SPEI | Error |
| 0B6h | | SPI1_SPTEND | Transmission completed event |

Note 1. Only pulse (edge detection) is supported.

Note 2. ELSR8, 9, and ELSR14 to ELSR18 can select this event.

Note 3. This event can occur in Snooze Mode.

Note 4. This event is not supported in FIFO mode.

18.3 Operation

18.3.1 Relation between Interrupt Handling and Event Linking

Event number for an event link is the same as that for the associated interrupt source. For information on generating event signals, see the explanation in the chapter for each event source module.

18.3.2 Linking Events

When an event occurs and that event is already set as a trigger in the Event Link Setting Register (ELSRn), the associated module is activated. When the ELC activates the module, the operation of the module must be set up in advance. [Table 18.4](#) lists the operations of modules when an event occurs.

Table 18.4 Module operations when event occurs (1 of 2)

| Module | Operations when event occurs |
|--------|-------------------------------------------------------------------------------------------------------------------------------------------------------------------------------------------------|
| GPT | <ul style="list-style-type: none"> • Start counting • Stop counting • Clear counting • Up counting • Down counting • Input capture. |
| ADC14 | Starts A/D conversion |
| DAC12 | Starts D/A conversion |

Table 18.4 Module operations when event occurs (2 of 2)

| Module | Operations when event occurs |
|-----------|--------------------------------------------------------------------------------------------------------------------------------------------------------------------------------------------------------------------------------------------------------------------------------------------------------------------|
| I/O Ports | <ul style="list-style-type: none"> • Change pin output based on the EORR (reset) or EOSR (set) • Latch pin state to EIDR • The following ports can be used for the ELC: <ul style="list-style-type: none"> PORT 1 PORT 2 PORT 3 PORT 4 |
| CTSU | Starts measurement operation |
| DTC | Starts DTC data transfer |

18.3.3 Example Procedure for Linking Events

To link events:

1. Set the operation of the module for which an event is to be linked.
2. Set the appropriate ELSRn register for the module to be linked.
3. Set the ELCR.ELCON bit to 1 to enable linkage of all events.
4. Configure the module from which an event is output and activate the module. The link between the two modules is now active.
5. To stop event linkage of modules individually, set 00000000b in the ELSRn.ELS[7:0] bits associated with the modules. To stop linkage of all events, set the ELCR.ELCON bit to 0.

If the event link output from the RTC is to be used, set the ELC after the RTC, for example, initialization and time setting. Unintended events can be generated if the RTC settings are made after the ELC settings.

18.4 Usage Notes

18.4.1 Linking DMAC or DTC Transfer End Signals as Events

When linking the DMAC or DTC transfer end signals as events, do not set the same peripheral module as the DMAC or DTC transfer destination and event link destination. If set, the peripheral module might be started before DMAC or DTC transfer to the peripheral module is complete.

18.4.2 Setting Clocks

To link events, you must enable the ELC and the related modules. The modules cannot operate if the related modules are in the module-stop state or in specific low power mode in which the module is stopped (Software Standby mode). Some modules can perform in Snooze mode. For more information, see [Table 18.3](#) and [section 10, Low Power Modes](#).

18.4.3 Module-Stop Function Setting

The Module Stop Control Register C (MSTPCRC) can enable or disable ELC operation. The ELC is initially stopped after reset. Releasing the module-stop state enables access to the registers. The ELCON bit must be set to 0 before disabling ELC operation using the Module Stop Control Register. For more information, see [section 10, Low Power Modes](#).

18.4.4 ELC Delay Time

As shown in [Figure 18.2](#), module A accesses the module B through ELC. There is a delay time in the ELC module between module A and module B, called the ELC delay time. The ELC delay time is shown in [Table 18.5](#).

If the clock domains on both module A and B are same, the delay time is 0. But, if the clock domains on modules A and B are different, ELC module has some delay. The time delay is defined by the slower clock frequency among module A and module B clocks.

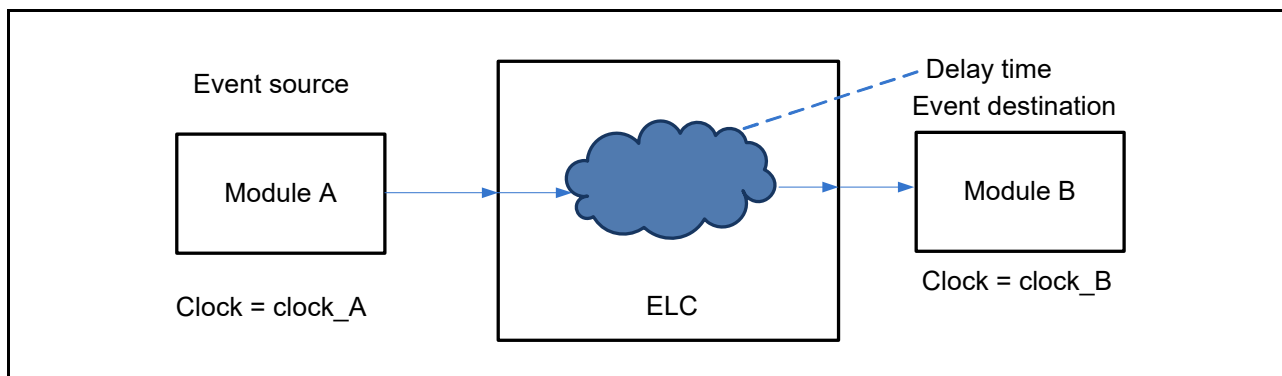


Figure 18.2 ELC delay time

Table 18.5 ELC delay time

| Clock domain | Clock frequency | ELC delay time |
|-------------------|-------------------|--------------------------|
| Clock_A = Clock_B | Clock_A = Clock_B | 0 cycles |
| Clock_A ≠ Clock_B | Clock_A = Clock_B | 1 cycle to 2 cycles |
| | Clock_A > Clock_B | 1 cycle to 2 cycles of B |
| | Clock_A < Clock_B | 1 cycle to 2 cycles of A |

19. I/O Ports

19.1 Overview

The I/O port pins operate as general I/O port pins, I/O pins for peripheral modules, interrupt input pins, analog I/O, port group function for ELC, or bus control pins. All pins operate as input pins immediately after a reset, and pin functions are switched by register settings. The I/O ports and peripheral modules for each pin are specified in the associated registers.

Figure 19.1 shows a connection diagram for the I/O port registers. The configuration of the I/O ports differs depending on the package. Table 19.1 shows the I/O port specifications, and Table 19.2 lists the port functions.

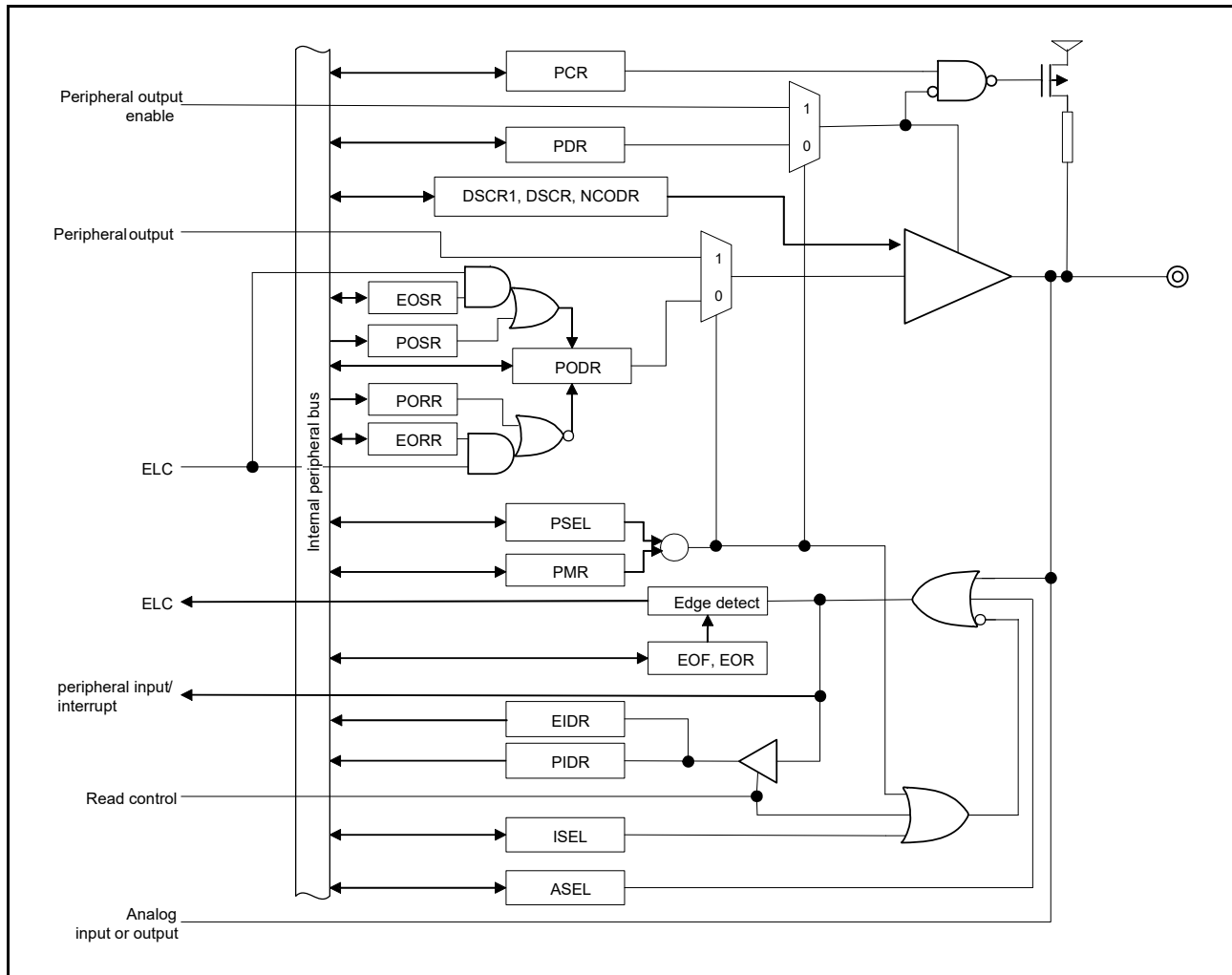


Figure 19.1 Connection diagram for I/O port registers

Note: Figure 19.1 shows a basic port configuration. The configuration differs depending on the ports.

Table 19.1 I/O Ports specifications (1 of 2)

| Port | Package | | Package | | Package | | Package | |
|-------|----------------------------|----------------|----------------------------|----------------|----------------------------|----------------|----------------------------|----------------|
| | 100 pins | Number of pins | 64 pins | Number of pins | 48 pins | Number of pins | 40 pins | Number of pins |
| PORT0 | P000 to P008, P010 to P015 | 15 | P000 to P004, P010 to P015 | 11 | P000 to P002, P010 to P015 | 9 | P000, P001, P010 to P015 | 8 |
| PORT1 | P100 to P115 | 16 | P100 to P113 | 14 | P100 to P104, P108 to P112 | 10 | P100 to P102, P108 to P112 | 8 |

Table 19.1 I/O Ports specifications (2 of 2)

| Port | Package | | Package | | Package | | Package | |
|-------|----------------------------|----------------|----------------------------------------|----------------|--------------------------------|----------------|--------------------------|----------------|
| | 100 pins | Number of pins | 64 pins | Number of pins | 48 pins | Number of pins | 40 pins | Number of pins |
| PORT2 | P200 to P206, P212 to P215 | 11 | P200, P201, P204 to P206, P212 to P215 | 9 | P200, P201, P206, P212 to P215 | 7 | P200, P201, P212 to P215 | 6 |
| PORT3 | P300 to P307 | 8 | P300 to P304 | 5 | P300 to P302 | 3 | P300, P301 | 2 |
| PORT4 | P400 to P415 | 16 | P400 to P402, P407 to P411 | 8 | P400, P407 to P409 | 4 | P407, P408 | 2 |
| PORT5 | P500 to P505 | 6 | P500 to P502 | 3 | P500 | 1 | N/A | 0 |
| PORT6 | P600 to P603, P608 to P610 | 7 | N/A | 0 | N/A | 0 | N/A | 0 |
| PORT7 | P708 | 1 | N/A | 0 | N/A | 0 | N/A | 0 |
| PORT8 | P808, P809 | 2 | N/A | 0 | N/A | 0 | N/A | 0 |
| PORT9 | P914, P915 | 2 | P914, P915 | 2 | P914, P915 | 2 | P914, P915 | 2 |
| | Total of pins | 84 | Total of pins | 52 | Total of pins | 36 | Total of pins | 28 |

Table 19.2 I/O port functions

| Port | Port name | Input pull-up | Open-drain output | Drive capacity switching | 5 V tolerant |
|-------|----------------------------|---------------|-------------------|---------------------------|--------------|
| PORT0 | P000 to P008, P010 to P015 | ✓ | - | Low, middle | - |
| PORT1 | P100 to P115 | ✓ | ✓ | Low, middle | - |
| PORT2 | P200, P214, P215 | - | - | - | - |
| | P201 to P204 | ✓ | ✓ | Low, middle | - |
| | P205, P206 | ✓ | ✓ | Low, middle | ✓ |
| | P212, P213 | ✓ | ✓ | - | - |
| PORT3 | P300 to P307 | ✓ | ✓ | Low, middle | - |
| PORT4 | P400 to P404, P407 | ✓ | ✓ | Low, middle | ✓ |
| | P405, P406, P409 to P415 | ✓ | ✓ | Low, middle | - |
| | P408 | ✓ | ✓ | Low, middle, middle (IIC) | ✓ |
| PORT5 | P500 to P505 | ✓ | ✓ | Low, middle | - |
| PORT6 | P600 to P603, P608 to P610 | ✓ | ✓ | Low, middle | - |
| PORT7 | P708 | ✓ | ✓ | Low, middle | - |
| PORT8 | P808, P809 | ✓ | ✓ | Low, middle | - |
| PORT9 | P914, P915 | - | - | - | - |

✓: Available

19.2 Register Descriptions

19.2.1 Port Control Register 1 (PCNTR1/PODR/PDR)

Address(es): PORT0.PCNTR1 4004 0000h, PORT1.PCNTR1 4004 0020h, PORT2.PCNTR1 4004 0040h, PORT3.PCNTR1 4004 0060h, PORT4.PCNTR1 4004 0080h, PORT5.PCNTR1 4004 00A0h, PORT6.PCNTR1 4004 00C0h, PORT7.PCNTR1 4004 00E0h, PORT8.PCNTR1 4004 0100h, PORT9.PCNTR1 4004 0120h,

PORT0.PODR 4004 0000h, PORT1.PODR 4004 0020h, PORT2.PODR 4004 0040h, PORT3.PODR 4004 0060h, PORT4.PODR 4004 0080h, PORT5.PODR 4004 00A0h, PORT6.PODR 4004 00C0h, PORT7.PODR 4004 00E0h, PORT8.PODR 4004 0100h, PORT9.PODR 4004 0120h,

PORT0.PDR 4004 0002h, PORT1.PDR 4004 0022h, PORT2.PDR 4004 0042h, PORT3.PDR 4004 0062h, PORT4.PDR 4004 0082h, PORT5.PDR 4004 00A2h, PORT6.PDR 4004 00C2h, PORT7.PDR 4004 00E2h, PORT8.PDR 4004 0102h, PORT9.PDR 4004 0122h

| | | | | | | | | | | | | | | | | |
|--------------------|-------|-------|-------|-------|-------|-------|-------|-------|-------|-------|-------|-------|-------|-------|-------|-------|
| | b31 | b30 | b29 | b28 | b27 | b26 | b25 | b24 | b23 | b22 | b21 | b20 | b19 | b18 | b17 | b16 |
| | PODR | PODR | PODR | PODR | PODR | PODR | PODR | PODR | PODR | PODR | PODR | PODR | PODR | PODR | PODR | PODR |
| | 15 | 14 | 13 | 12 | 11 | 10 | 09 | 08 | 07 | 06 | 05 | 04 | 03 | 02 | 01 | 00 |
| Value after reset: | 0 | 0 | 0 | 0 | 0 | 0 | 0 | 0 | 0 | 0 | 0 | 0 | 0 | 0 | 0 | 0 |
| | b15 | b14 | b13 | b12 | b11 | b10 | b9 | b8 | b7 | b6 | b5 | b4 | b3 | b2 | b1 | b0 |
| | PDR15 | PDR14 | PDR13 | PDR12 | PDR11 | PDR10 | PDR09 | PDR08 | PDR07 | PDR06 | PDR05 | PDR04 | PDR03 | PDR02 | PDR01 | PDR00 |
| Value after reset: | 0 | 0 | 0 | 0 | 0 | 0 | 0 | 0 | 0 | 0 | 0 | 0 | 0 | 0 | 0 | 0 |

| Bit | Symbol | Bit name | Description | R/W |
|------------|--------|-----------------|---------------------------------------------------------------------------------|-----|
| b15 to b0 | PDRn | Pmn Direction | 0: Input (functions as an input pin) 1: Output (functions as an output pin). | R/W |
| b31 to b16 | PODRn | Pmn Output Data | 0: Low output 1: High output. | R/W |

m = 0 to 9

n = 00 to 15

The Port Control Register 1 (PCNTR1/PODR/PDR) is a 32- and 16-bit read/write register that controls port direction and port output data.

The PCNTR1 specifies the port direction and the output data, and is accessed in 32-bit units. The PODRn (bits [31:16] in PCNTR1) and PDRn (bits [15:0] in PCNTR1) respectively, are accessed in 16-bit units.

The PDRn bits select the input or output direction for individual pins on the associated port when the pins are configured as general I/O pins. Each pin on port m is associated with a PORTm.PCNTR1.PDRn bit. The I/O direction can be specified in 1-bit units. Bits associated with non-existent pins are reserved. Reserved bits are read as 0. The write value should be 0. P200, P214, and P215 are input only, so PORT2.PCNTR1.PDR00, PORT2.PCNTR1.PDR14, and PORT2.PCNTR1.PDR15 are reserved. The PDRn bit in the PORTm.PCNTR1 register serves the same function as the PDR bit in the PFS.PmnPFS register.

The PODRn bits hold data to be output from the general I/O pins. Bits associated with non-existent port m are reserved. Write 0 to these bits. Bits associated with non-existent pins are reserved. P200, P214, P215 are input only, so PORT2.PCNTR1.PODR00, PORT2.PCNTR1.PODR14, and PORT2.PCNTR1.PODR15 bits are reserved. A reserved bit is read as 0. The write value should be 0. The PODRn bit in the PORTm.PCNTR1 register serves the same function as the PODR bit in the PFS.PmnPFS register.

19.2.2 Port Control Register 2 (PCNTR2/EIDR/PIDR)

Address(es): PORT0.PCNTR2 4004 0004h, PORT1.PCNTR2 4004 0024h, PORT2.PCNTR2 4004 0044h, PORT3.PCNTR2 4004 0064h, PORT4.PCNTR2 4004 0084h, PORT5.PCNTR2 4004 00A4h, PORT6.PCNTR2 4004 00C4h, PORT7.PCNTR2 4004 00E4h, PORT8.PCNTR2 4004 0104h, PORT9.PCNTR2 4004 0124h,

PORT1.EIDR 4004 0024h, PORT2.EIDR 4004 0044h, PORT3.EIDR 4004 0064h, PORT4.EIDR 4004 0084h,

PORT0.PIDR 4004 0006h, PORT1.PIDR 4004 0026h, PORT2.PIDR 4004 0046h, PORT3.PIDR 4004 0066h, PORT4.PIDR 4004 0086h, PORT5.PIDR 4004 00A6h, PORT6.PIDR 4004 00C6h, PORT7.PIDR 4004 00E6h, PORT8.PIDR 4004 0106h, PORT9.PIDR 4004 0126h

| | b31 | b30 | b29 | b28 | b27 | b26 | b25 | b24 | b23 | b22 | b21 | b20 | b19 | b18 | b17 | b16 |
|--------------------|--------|--------|--------|--------|--------|--------|--------|--------|--------|--------|--------|--------|--------|--------|--------|--------|
| | EIDR15 | EIDR14 | EIDR13 | EIDR12 | EIDR11 | EIDR10 | EIDR09 | EIDR08 | EIDR07 | EIDR06 | EIDR05 | EIDR04 | EIDR03 | EIDR02 | EIDR01 | EIDR00 |
| Value after reset: | 0 | 0 | 0 | 0 | 0 | 0 | 0 | 0 | 0 | 0 | 0 | 0 | 0 | 0 | 0 | 0 |
| | b15 | b14 | b13 | b12 | b11 | b10 | b9 | b8 | b7 | b6 | b5 | b4 | b3 | b2 | b1 | b0 |
| | PIDR15 | PIDR14 | PIDR13 | PIDR12 | PIDR11 | PIDR10 | PIDR09 | PIDR08 | PIDR07 | PIDR06 | PIDR05 | PIDR04 | PIDR03 | PIDR02 | PIDR01 | PIDR00 |
| Value after reset: | x | x | x | x | x | x | x | x | x | x | x | x | x | x | x | x |

x: Undefined

| Bit | Symbol | Bit name | Description | R/W |
|------------|--------|-------------------------|--------------------------------------------------------------|-----|
| b15 to b0 | PIDRn | Pmn State | 0: Low level 1: High level. | R |
| b31 to b16 | EIDRn | Port Event Input Data*1 | When the ELC_PORTx occurs: 0: Low input 1: High input. | R |

m = 0 to 9

n = 00 to 15

x = 1 to 4

Note 1. Supported for PORT1 to PORT4.

The Port Control Register 2 (PCNTR2/EIDR/PIDR) allows read access to the Pmn state and the port event input data by 32- and 16-bit access.

The PCNTR2 specifies the Pmn state and the port event input data, which is accessed in 32-bit units. The EIDRn (bits [31:16] in PCNTR2) and PIDRn (bits [15:0] in PCNTR2) respectively, are accessed in 16-bit units. Bits associated with non-existent pins are reserved. Reserved bits are read as undefined.

The PIDRn bits reflect the individual pin states of the port, regardless of the values set in PmnPFS.PMR and PORTm.PCNTR1.PDRn. The PIDRn bit in the PORTm.PCNTR2 register serves the same function as the PIDR bit in the PFS.PmnPFS register.

A pin state cannot be reflected in PIDRn when one of the following functions is enabled:

- Main clock oscillator (MOSC)
- Sub-clock oscillator (SOSC)
- Analog function (ASEL = 1)
- Capacitive Touch Sensing Unit (CTSU)
- Segment LCD Controller (SLCDC)
- USB 2.0 Full-Speed Module (USBFS).

EIDRn latches the pin state when an ELC_PORTx signal occurs. Pin states can only be input to EIDRn when PmnPFS.PMR is 0 and PORTm.PCNTR1.PDRn is 0. When PmnPFS.ASEL is set 1, the associated pin state is not reflected in EIDRn.

19.2.3 Port Control Register 3 (PCNTR3/PORR/POSR)

Address(es): PORT0.PCNTR3 4004 0008h, PORT1.PCNTR3 4004 0028h, PORT2.PCNTR3 4004 0048h, PORT3.PCNTR3 4004 0068h, PORT4.PCNTR3 4004 0088h, PORT5.PCNTR3 4004 00A8h, PORT6.PCNTR3 4004 00C8h, PORT7.PCNTR3 4004 00E8h, PORT8.PCNTR3 4004 0108h, PORT9.PCNTR3 4004 0128h,

PORT0.PORR 4004 0008h, PORT1.PORR 4004 0028h, PORT2.PORR 4004 0048h, PORT3.PORR 4004 0068h, PORT4.PORR 4004 0088h, PORT5.PORR 4004 00A8h, PORT6.PORR 4004 00C8h, PORT7.PORR 4004 00E8h, PORT8.PORR 4004 0108h, PORT9.PORR 4004 0128h,

PORT0.POSR 4004 000Ah, PORT1.POSR 4004 002Ah, PORT2.POSR 4004 004Ah, PORT3.POSR 4004 006Ah, PORT4.POSR 4004 008Ah, PORT5.POSR 4004 00AAh, PORT6.POSR 4004 00CAh, PORT7.POSR 4004 00EAh, PORT8.POSR 4004 010Ah, PORT9.POSR 4004 012Ah

| | b31 | b30 | b29 | b28 | b27 | b26 | b25 | b24 | b23 | b22 | b21 | b20 | b19 | b18 | b17 | b16 |
|--------------------|---------|---------|---------|---------|---------|---------|---------|---------|---------|---------|---------|---------|---------|---------|---------|---------|
| | PORR 15 | PORR 14 | PORR 13 | PORR 12 | PORR 11 | PORR 10 | PORR 09 | PORR 08 | PORR 07 | PORR 06 | PORR 05 | PORR 04 | PORR 03 | PORR 02 | PORR 01 | PORR 00 |
| Value after reset: | 0 | 0 | 0 | 0 | 0 | 0 | 0 | 0 | 0 | 0 | 0 | 0 | 0 | 0 | 0 | 0 |

| | b15 | b14 | b13 | b12 | b11 | b10 | b9 | b8 | b7 | b6 | b5 | b4 | b3 | b2 | b1 | b0 |
|--------------------|---------|---------|---------|---------|---------|---------|---------|---------|---------|---------|---------|---------|---------|---------|---------|---------|
| | POSR 15 | POSR 14 | POSR 13 | POSR 12 | POSR 11 | POSR 10 | POSR 09 | POSR 08 | POSR 07 | POSR 06 | POSR 05 | POSR 04 | POSR 03 | POSR 02 | POSR 01 | POSR 00 |
| Value after reset: | 0 | 0 | 0 | 0 | 0 | 0 | 0 | 0 | 0 | 0 | 0 | 0 | 0 | 0 | 0 | 0 |

| Bit | Symbol | Bit name | Description | R/W |
|------------|--------|------------------|-------------------------------------------|-----|
| b15 to b0 | POSRn | Pmn Output Set | 0: No affect on output 1: High output. | W |
| b31 to b16 | PORRn | Pmn Output Reset | 0: No affect on output 1: Low output. | W |

m = 0 to 9

n = 00 to 15

Note: When EORRn or EOSRn is set, writing to PODRn, PORRn and POSRn is prohibited.

Note: PORRn and POSRn should not be set at the same time.

The Port Control Register 3 (PCNTR3/PORR/POSR) is a 32- and 16-bit write register that controls the setting or resetting of the port output data.

The PCNTR3 controls the setting or resetting of the port output data, and is accessed in 32-bit units. The PORR (bits [31:16] in PCNTR3) and POSR (bits [15:0] in PCNTR3) respectively, are accessed in 16-bit units.

POSR changes PODR when set by a software write. For example, for P100, when PORT1.POSR00 = 1, PORT1.PCNTR1.PODR00 outputs 1. Bits associated with non-existent pins are reserved. The write value should always be 0. P200, P214, and P215 are input only, so PORT2.PCNTR3.POSR00, PORT2.PCNTR3.POSR14, and PORT2.PCNTR3.POSR15 are reserved.

PORR changes PODR when reset by a software write. For example, for P100, when PORT1.PORR00 = 1, PORT1.PCNTR1.PODR00 outputs 0. Bits associated with non-existent pins are reserved. The write value should always be 0. P200, P214, and P215 are input only, so PORT2.PCNTR3.PORR00, PORT2.PCNTR3.PORR14, and PORT2.PCNTR3.PORR15 are reserved.

19.2.4 Port Control Register 4 (PCNTR4/EORR/EOSR)

Address(es): PORT1.PCNTR4 4004 002Ch, PORT2.PCNTR4 4004 004Ch, PORT3.PCNTR4 4004 006Ch, PORT4.PCNTR4 4004 008Ch,

PORT1.EORR 4004 002Ch, PORT2.EORR 4004 004Ch, PORT3.EORR 4004 006Ch, PORT4.EORR 4004 008Ch,

PORT1.EOSR 4004 002Eh, PORT2.EOSR 4004 004Eh, PORT3.EOSR 4004 006Eh, PORT4.EOSR 4004 008Eh

| | b31 | b30 | b29 | b28 | b27 | b26 | b25 | b24 | b23 | b22 | b21 | b20 | b19 | b18 | b17 | b16 |
|--------------------|------------|------------|------------|------------|------------|------------|------------|------------|------------|------------|------------|------------|------------|------------|------------|------------|
| | EORR 15 | EORR 14 | EORR 13 | EORR 12 | EORR 11 | EORR 10 | EORR 09 | EORR 08 | EORR 07 | EORR 06 | EORR 05 | EORR 04 | EORR 03 | EORR 02 | EORR 01 | EORR 00 |
| Value after reset: | 0 | 0 | 0 | 0 | 0 | 0 | 0 | 0 | 0 | 0 | 0 | 0 | 0 | 0 | 0 | 0 |

| | b15 | b14 | b13 | b12 | b11 | b10 | b9 | b8 | b7 | b6 | b5 | b4 | b3 | b2 | b1 | b0 |
|--------------------|------------|------------|------------|------------|------------|------------|------------|------------|------------|------------|------------|------------|------------|------------|------------|------------|
| | EOSR 15 | EOSR 14 | EOSR 13 | EOSR 12 | EOSR 11 | EOSR 10 | EOSR 09 | EOSR 08 | EOSR 07 | EOSR 06 | EOSR 05 | EOSR 04 | EOSR 03 | EOSR 02 | EOSR 01 | EOSR 00 |
| Value after reset: | 0 | 0 | 0 | 0 | 0 | 0 | 0 | 0 | 0 | 0 | 0 | 0 | 0 | 0 | 0 | 0 |

| Bit | Symbol | Bit name | Description | R/W |
|------------|--------|------------------------|-------------------------------------------------------------------------|-----|
| b15 to b0 | EOSRn | Pmn Event Output Set | When the ELC_PORTx occurs: 0: No affect on output 1: High output. | R/W |
| b31 to b16 | EORRn | Pmn Event Output Reset | When the ELC_PORTx occurs: 0: No affect on output 1: Low output. | R/W |

m = 1 to 4

n = 00 to 15

x = 1 to 4

Note: When EORRn or EOSRn is set, writing to PODRn, PORRn and POSRn is prohibited.

Note: EORRn and EOSRn should not be set at the same time.

The Port Control Register 4 (PCNTR4/EORR/EOSR) is a 32-bit and 16-bit read/write register that controls the setting or resetting of the port output data by event input from the ELC.

The PCNTR4 controls the setting or resetting of the port output data by an event input from the ELC, and is accessed in 32-bit units. The EORR (bits [31:16] in PCNTR4) and EOSR (bits [15:0] in PCNTR4) respectively, are accessed in 16-bit units.

EOSR changes PODR when set because an ELC_PORTx signal occurs. For example, for P100, if PORT1.EOSR00 is set to 1 when ELC_PORTx occurs, PORT1.PCNTR1.PODR00 outputs 1. Bits associated with non-existent pins are reserved. The write value must always be 0. P200, P214, and P215 are input only, so PORT2.PCNTR4.EOSR00, PORT2.PCNTR4.EOSR14, and PORT2.PCNTR4.EOSR15 are reserved.

EORR changes PODR when reset because an ELC_PORTx signal occurs. For example, for P100, if PORT1.EORR00 is set to 1 when ELC_PORTx occurs, PORT1.PCNTR1.PODR00 outputs 0. Bits associated with non-existent pins are reserved. The write value must always be 0. P200, P214, and P215 are input only, so PORT2.PCNTR4.EORR00, PORT2.PCNTR4.EORR14, and PORT2.PCNTR4.EORR15 are reserved.

19.2.5 Port mn Pin Function Select Register (PmnPFS/PmnPFS_HA/PmnPFS_BY) (m = 0 to 9; n = 00 to 15)

Address(es): PFS.P000PFS 4004 0800h to PFS.P008PFS 4004 0820h, PFS.P010PFS 4004 0828h to PFS.P015PFS 4004 083Ch, PFS.P100PFS 4004 0840h to PFS.P115PFS 4004 087Ch, PFS.P200PFS 4004 0880h to PFS.P206PFS 4004 0898h, PFS.P212PFS 4004 08B0h to PFS.P215PFS 4004 08BCh, PFS.P300PFS 4004 08C0h to PFS.P307PFS 4004 08DCh, PFS.P400PFS 4004 0900h to PFS.P415PFS 4004 093Ch, PFS.P500PFS 4004 0940h to PFS.P505PFS 4004 0954h, PFS.P600PFS 4004 0980h to PFS.P603PFS 4004 098Ch, PFS.P608PFS 4004 09A0h to PFS.P610PFS 4004 09A8h, PFS.P708PFS 4004 09E0h, PFS.P808PFS 4004 0A20h to PFS.P809PFS 4004 0A24h, PFS.P914PFS 4004 0A78h, PFS.P915PFS 4004 0A7Ch,

PFS.P000PFS_HA 4004 0802h to PFS.P008PFS_HA 4004 0822h, PFS.P010PFS_HA 4004 082Ah to PFS.P015PFS_HA 4004 083Eh, PFS.P100PFS_HA 4004 0842h to PFS.P115PFS_HA 4004 087Eh, PFS.P200PFS_HA 4004 0882h to PFS.P206PFS_HA 4004 089Ah, PFS.P212PFS_HA 4004 08B2h to PFS.P215PFS_HA 4004 08BEh, PFS.P300PFS_HA 4004 08C2h to PFS.P307PFS_HA 4004 08DEh, PFS.P400PFS_HA 4004 0902h to PFS.P415PFS_HA 4004 093Eh, PFS.P500PFS_HA 4004 0942h to PFS.P505PFS_HA 4004 0956h, PFS.P600PFS_HA 4004 0982h to PFS.P603PFS_HA 4004 098Eh, PFS.P608PFS_HA 4004 09A0h to PFS.P610PFS_HA 4004 09AAh, PFS.P708PFS_HA 4004 09E2h, PFS.P808PFS_HA 4004 0A22h, PFS.P809PFS_HA 4004 0A26h, PFS.P914PFS_HA 4004 0A7Ah, PFS.P915PFS_HA 4004 0A7Eh,

PFS.P000PFS_BY 4004 0803h to PFS.P008PFS_BY 4004 0823h, PFS.P010PFS_BY 4004 082Bh to PFS.P015PFS_BY 4004 083Fh, PFS.P100PFS_BY 4004 0843h to PFS.P115PFS_BY 4004 087Fh, PFS.P200PFS_BY 4004 0883h to PFS.P206PFS_BY 4004 089Bh, PFS.P212PFS_BY 4004 08B3h to PFS.P215PFS_BY 4004 08BFh, PFS.P300PFS_BY 4004 08C3h to PFS.P307PFS_BY 4004 08DFh, PFS.P400PFS_BY 4004 0903h to PFS.P415PFS_BY 4004 093Fh, PFS.P500PFS_BY 4004 0943h to PFS.P505PFS_BY 4004 0957h, PFS.P600PFS_BY 4004 0983h to PFS.P603PFS_BY 4004 098Fh, PFS.P608PFS_BY 4004 09A1h to PFS.P610PFS_BY 4004 09ABh, PFS.P708PFS_BY 4004 09E3h, PFS.P808PFS_BY 4004 0A23h, PFS.P809PFS_BY 4004 0A27h, PFS.P914PFS_BY 4004 0A7Bh, PFS.P915PFS_BY 4004 0A7Fh

| | | | | | | | | | | | | | | | | |
|--------------------|------|-----|-----------|-------|------|-----|-----|-----|-------|-----|-----|-----|-----|------|------|-----|
| b31 | b30 | b29 | b28 | b27 | b26 | b25 | b24 | b23 | b22 | b21 | b20 | b19 | b18 | b17 | b16 | |
| — | — | — | PSEL[4:0] | | | | — | — | — | — | — | — | — | — | — | PMR |
| Value after reset: | | | | | | | | | | | | | | | 0*2 | |
| b15 | b14 | b13 | b12 | b11 | b10 | b9 | b8 | b7 | b6 | b5 | b4 | b3 | b2 | b1 | b0 | |
| ASEL | ISEL | EOF | EOR | DSCR1 | DSCR | — | — | — | NCODR | — | PCR | — | PDR | PIDR | PODR | |
| Value after reset: | | | | | | | | | | | | | | | 0 | |

x: Undefined

| Bit | Symbol | Bit name | Description | R/W |
|----------|---------------------------------------------------|------------------------------|-----------------------------------------------------------------------------------------------------------------------------------------------------------------------------------------------|-----|
| b0 | PODR | Port Output Data | 0: Low output 1: High output. | R/W |
| b1 | PIDR | Pmn State | 0: Low level 1: High level. | R |
| b2 | PDR | Port Direction | 0: Input (functions as an input pin) 1: Output (functions as an output pin). | R/W |
| b3 | — | Reserved | This bit is read as 0. The write value should be 0. | R/W |
| b4 | PCR | Pull-up Control | 0: Disable an input pull-up 1: Enable an input pull-up | R/W |
| b5 | — | Reserved | This bit is read as 0. The write value should be 0. | R/W |
| b6 | NCODR | N-Channel Open Drain Control | 0: CMOS output 1: NMOS open-drain output. | R/W |
| b9 to b7 | — | Reserved | These bits are read as 0. The write value should be 0. | R/W |
| b11, b10 | DSCR1 *3/ DSCR | Port Drive Capability | <P408> b11 b10 0 0: Low drive 0 1: Middle drive 1 0: Middle drive for IIC Fast-mode 1 1: Setting prohibited <Other than P408> b10 0: Low drive 1: Middle drive | R/W |

| Bit | Symbol | Bit name | Description | R/W |
|------------|-----------|------------------------------------------------|---------------------------------------------------------------------------------------------------------------------|-----|
| b13, b12 | EOF/EOR | Event on Falling/Event on Rising ^{*1} | b13 b12 0 0: Don't care 0 1: Detect rising edge 1 0: Detect falling edge 1 1: Detect both edge. | R/W |
| b14 | ISEL | IRQ Input Enable | 0: Not used as an IRQn input pin 1: Used as an IRQn input pin. | R/W |
| b15 | ASEL | Analog Input Enable | 0: Not used as an analog pin 1: Used as an analog pin. | R/W |
| b16 | PMR | Port Mode Control | 0: Used as a general I/O pin 1: Used as an I/O port for peripheral functions. | R/W |
| b23 to b17 | — | Reserved | These bits are read as 0. The write value should be 0. | R/W |
| b28 to b24 | PSEL[4:0] | Peripheral Select | These bits select the peripheral function. For individual pin functions, see the associated tables in this chapter. | R/W |
| b31 to b29 | — | Reserved | These bits are read as 0. The write value should be 0. | R/W |

Note 1. Supported for PORT1 to PORT4.

Note 2. The initial value of P108, P109, P110, P201, P300, P914, and P915 is not 0000 0000h.

P108 is 0001 0010h, P109 is 0001 0000h, P110 is 0001 0010h, P201 is 0000 0010h, P300 is 0001 0010h, P914 is 0001 0000h, and P915 is 0001 0000h.

The Port mn Pin Function Select Register (PmnPFS) selects the pin function.

Note 3. P408 only has DSCR1 bit.

The Port mn Pin Function Select Register (PmnPFS/PmnPFS_HA/PmnPFS_BY) is a 32-, 16-, and 8-bit read/write control register. PmnPFS controls selection of the port mn function, and is accessed in 32-bit units. PmnPFS_HA (bits [15:0] in PmnPFS) is accessed in 16-bit units. PmnPFS_BY (bits [7:0]) is accessed in 8-bit units.

The PDR/PIDR/PODR bits serve the same function as the PCNTR. When these bits are read, the PCNTR value is read.

The PCR bit enables or disables an input pull-up resistor on the individual port pins. When a pin is in the input state with the associated bit in PmnPFS.PCR set to 1, the pull-up resistor connected to the pin is enabled. When a pin is set as a general port output pin, or a peripheral function output pin, the pull-up resistor for the pin is disabled regardless of the PCR setting. The pull-up resistor is also disabled in the reset state. Bits associated with non-existent pins are reserved. Reserved bits are read as 0. The write value should be 0.

The NCODR bit specifies the output type for the port pins. Bits associated with non-existent pins are reserved. Reserved bits are read as 0. The write value should be 0.

The DSCR1 and DSCR bits switch the drive capacity of the port. If the drive capacity of a pin is fixed, the associated bit is read/write, but the drive capacity cannot be changed. Bits associated with non-existent pins are reserved. Reserved bits are read as 0. The write value should be 0.

The EOR and EOF bits select the edge detection method for the port group input signal. These bits support rising, falling, or both edge detections. When the EOR/EOF bits are set to 01b, 10b, or 11b, the input enable of the I/O cell is asserted. Following that, the event pulse is input from the external pin, and GPIO outputs the event pulse to the ELC. Bits associated with non-existent pins are reserved. Reserved bits are read as 0. The write value should be 0.

The ISEL bit specifies IRQ input pins. This setting can be used in combination with the peripheral functions, although an IRQn (external pin interrupt) of the same number must only be enabled for one pin.

The ASEL bit specifies analog pins. When a pin is set as an analog pin by this bit:

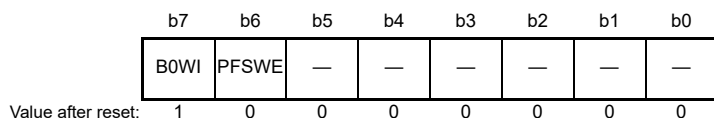
1. Specify it as a general I/O port in the Port Mode Control bit (PmnPFS.PMR).
2. Disable the pull-up resistor with the Pull-up Control bit (PmnPFS.PCR).
3. Specify input in the Port Direction bit (PmnPFS.PDR). The pin state cannot be read at this point. The PmnPFS register is protected by the Write-Protect Register (PWPR). Release write-protect before modifying the register.

The ISEL bit for an unspecified IRQn is reserved. The ASEL bit for an unspecified analog input/output is reserved.

The PMR bit specifies the port pin function. Bits associated with non-existent pins are reserved. Reserved bits are read as 0. The write value should be 0. The PSEL[4:0] bits assign the peripheral function. For details on the peripheral settings for each product, see [section 19.6, Peripheral Select Settings for each Product](#).

19.2.6 Write-Protect Register (PWPR)

Address(es): [PMISC.PWPR 4004 0D03h](#)



| Bit | Symbol | Bit name | Description | R/W |
|----------|-----------------------|------------------------------|------------------------------------------------------------------------------------------|-----|
| b5 to b0 | — | Reserved | These bits are read as 0. The write value should be 0. | R/W |
| b6 | PFSWE | PmnPFS Register Write Enable | 0: Writing to the PmnPFS register disabled 1: Writing to the PmnPFS register enabled. | R/W |
| b7 | B0WI | PFSWE Bit Write Disable | 0: Writing to the PFSWE bit enabled 1: Writing to the PFSWE bit disabled. | R/W |

[PFSWE bit \(PmnPFS Register Write Enable\)](#)

Writing to the PmnPFS register is enabled only when the PFSWE bit is set to 1. You must first write 0 to the B0WI bit before setting PFSWE to 1.

[B0WI bit \(PFSWE Bit Write Disable\)](#)

Writing to the PFSWE bit is enabled only when the B0WI bit is set to 0.

19.3 Operation

19.3.1 General I/O Ports

All pins except P108, P109, P110, P300, P914, P915 operate as general I/O ports after reset. General I/O ports are organized as 16 bits per port and can be accessed by port with the Port Control Registers (PCNTRn, where n = 1 to 4), or by individual pins with the Pin Function Select Registers. For details on these registers, see [section 19.2, Register Descriptions](#).

Each port has the following bits:

- Port Direction bit (PDR), which selects input or output direction
- Port Output Data bit (PODR), which holds data for output
- Port Input Data bit (PIDR), which indicates the pin states
- Event Input Data bit (EIDR), which indicates the pin state when an ELC_PORT1, 2, 3, or 4 signal occurs
- Port Output Set bit (POSR), which indicates the output value when a software write occurs
- Port Output Reset bit (PORR), which indicates the output value when a software write occurs
- Event Output Set bit (EOSR), which indicates the output value when an ELC_PORT1, 2, 3, or 4 signal occurs
- Event Output Reset bit (EORR), which indicates the output value when an ELC_PORT1, 2, 3, or 4 signal occurs.

19.3.2 Port Function Select

The following port functions are available for configuring each pin:

- I/O configuration: Complementary or open-drain output, pull-up control, and drive strength
- General I/O port: Port direction, output data setting, and read input data
- Alternate function: Configured function mapping to the pin.

Each pin is associated with a Pin Function Select Register (PmnPFS), which includes the associated PODR, PIDR, and PDR bits. In addition, the PmnPFS register includes the following:

- PCR: Pull-up resistor control bit that turns the input pull-up MOS on or off
- NCODR: N-channel open-drain control bit that selects the output type for each pin
- DSCR1, DSCR: Drive capacity control bit that selects the drive capacity
- EOR: Event on rising bit used to detect rising edges on the port input
- EOF: Event on falling bit used to detect falling edges on the port input
- ISEL: IRQ input enable bit to specify an IRQ input pin
- ASEL: Analog input enable bit to specify an analog pin
- PMR: Port mode control bit to specify the pin function of each port
- PSEL: Port function select bits to select the associated peripheral function.

These configuration can be made by a single-register access to the Pin Function Select Register. For details, see [section 19, Port mn Pin Function Select Register \(PmnPFS/PmnPFS_HA/PmnPFS_BY\) \(m = 0 to 9; n = 00 to 15\)](#).

19.3.3 Port Group Function for ELC

In the MCU, PORT1 to PORT4 are assigned for the port group function.

19.3.3.1 Behavior when ELC_PORT1, 2, 3, or 4 is input from ELC

The MCU supports the two functions described in this section when an ELC_PORT1, 2, 3, or 4 signal comes from the ELC.

(1) Input to EIDR

For the GPI function ($PDR = 0$ and $PMR = 0$ in the PmnPFS register), when an ELC_PORT1, 2, 3, or 4 signal comes from the ELC, the input enable of the I/O cell is asserted, and data from the external pins are read into the EIDR bit.

For the GPO function ($PDR = 1$) or the peripheral mode ($PMR = 1$), 0 is input into the EIDR bit from the external pins.

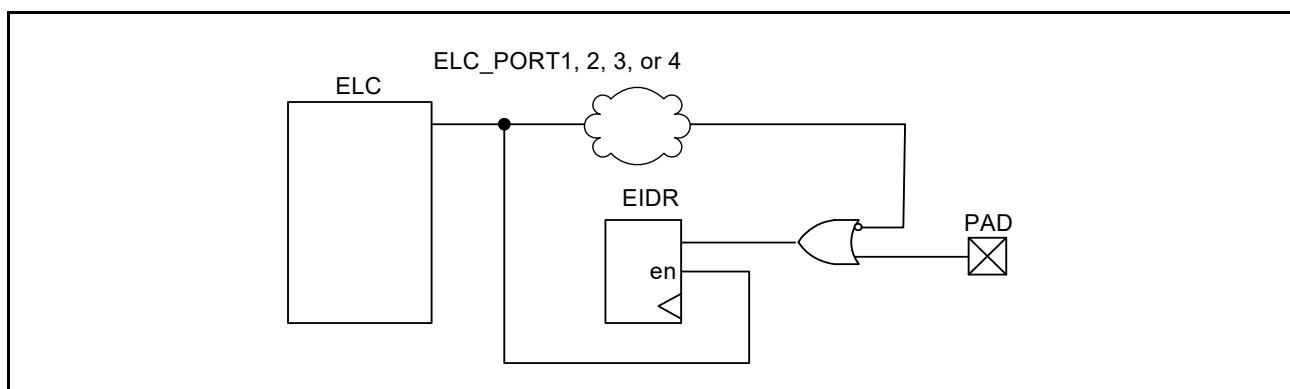


Figure 19.2 Event ports input data

(2) Output from PODR by EOSR/EORR

When an ELC_PORT1, 2, 3, or 4 signal occurs, the data is output from the PODR to the external pin based on the EOSR/EORR bit settings as follows:

- If EOSR is set to 1, when an ELC_PORT1, 2, 3, or 4 signal occurs, the PODR register outputs 1 to the external pin. Otherwise, when EOSR = 0, the PODR value is kept.
- If EORR is set to 1, when the ELC_PORT1, 2, 3, or 4 signal occurs, the PODR register outputs 0 to the external pin. Otherwise, when EORR = 0, the PODR value is kept.

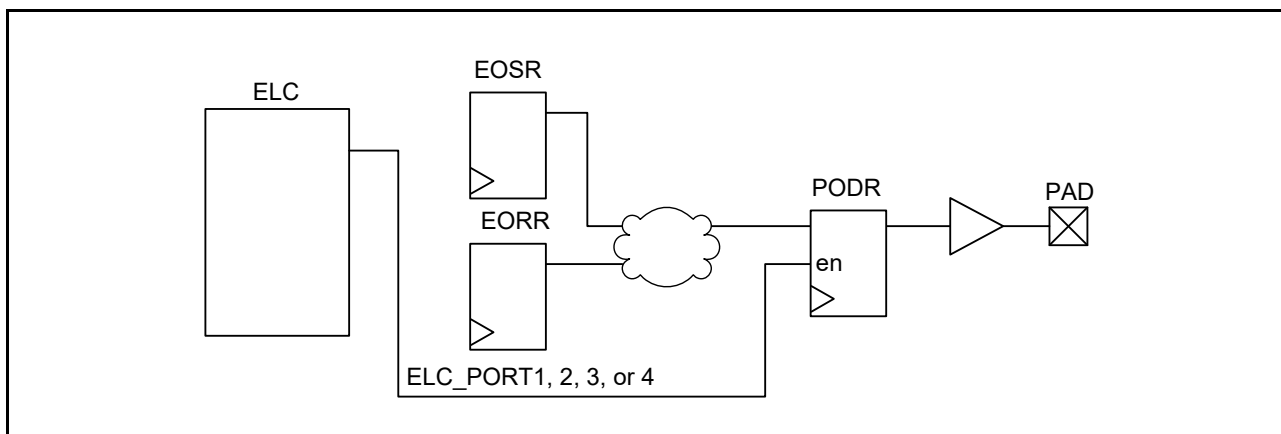


Figure 19.3 Event ports output data

19.3.3.2 Behavior when event pulse is output to ELC

To output the event pulse from the external pins to the ELC, set the EOR/EOF bit in the PmnPFS register. For details, see [section 19.2.5, Port mn Pin Function Select Register \(PmnPFS/PmnPFS_HA/PmnPFS_BY\) \(m = 0 to 9; n = 00 to 15\)](#). When the EOR/EOF bits are set, the input enable of the I/O cell is asserted.

Data of the external pin is the input. For example, for PORT1 when the data is input from P100 to P115, the data of those 16 pins is organized by OR logic. This data is formed into a one-shot pulse that goes to the ELC. The operation of PORT2 to PORT4 is the same.

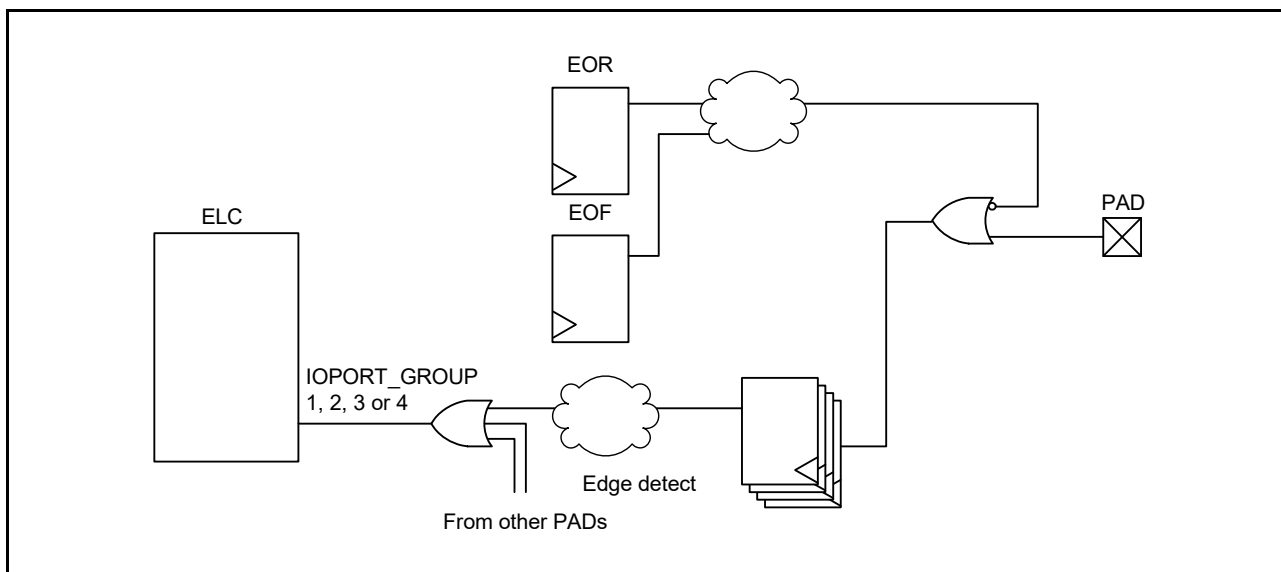


Figure 19.4 Generation of event pulse

19.4 Handling of Unused Pins

Table 19.3 shows how to handle unused pins.

Table 19.3 Handling of unused pins

| Pin name | Description |
|---------------------------------------------------|--------------------------------------------------------------------------------------------------------------------------------------------------------------------------------------------------------------------------------------------------------------------|
| P201/MD | Use as a mode pin |
| RES | Connect to VCC through a resistor (pulling up) |
| USB_DP, USB_DM | When both the P914PFS.PMR and P915PFS.PMR bits are set to 1, keep these pins open. When either P914PFS.PMR or P915PFS.PMR bit is set to 0, configure it in the same way as ports 1 to 9. |
| P200/NMI | Connect to VCC through a resistor (pulling up) |
| P212/EXTAL | When the main clock oscillator is not used, set the MOSCCR.MOSTP bit to 1 (general port P212). When this pin is not used as port P212, configure it in the same way as ports 1 to 9. |
| P213/XTAL | When the main clock oscillator is not used, set the MOSCCR.MOSTP bit to 1 (general port P213). When this pin is not used as port P213, configure it in the same way as ports 1 to 9. When the external clock is input to the EXTAL pin, leave this pin open. |
| P215/XCIN | When the sub-clock oscillator is not used, set the SOSCCR.SOSTP bit to 1 (general port P215). When this pin is not used as port P215, configure it in the same way as ports 1 to 9. |
| P214/XCOUT | When the sub-clock oscillator is not used, set the SOSCCR.SOSTP bit to 1 (general port P214). When this pin is not used as port P214, configure it in the same way as ports 1 to 9. |
| P000 to P015 | If the direction setting is for input (PCNTR1.PDRn = 0), connect the associated pin to AVCC0 (pulled up) through a resistor or to AVSS0 (pulled down) through a resistor.*1 |
| P1x to P9x other than P200, P201 and P212 to P215 | If the direction setting is for input (PCNTR1.PDRn = 0), connect the associated pin to VCC (pulled up) through a resistor or to VSS (pulled down) through a resistor.*1,*2 If the direction setting is for output (PCNTR1.PDRn = 1), release the pin.*1,*3 |

Note 1. Clear the PmnPFS.PMR, PmnPFS.ISEL, PmnPFS.PCR, and PmnPFS.ASEL bits to 0.

Note 2. P108, P110, P300 are recommended to pull up VCC (pulled up) through a resistor, because these pins are input-pull-up enabled from initial value (PmnPFS.PCR = 1).

Note 3. P109 is recommended to be set as an output (PCNTR1.PDRn = 1) as this pin is output from the initial value.

19.5 Usage Notes

19.5.1 Procedure for Specifying the Pin Functions

To specify the I/O pin functions:

1. Clear the B0WI bit in the PWPR register. This enables writing to the PFSWE bit in the PWPR register.
2. Set 1 to the PFSWE bit in the PWPR register. This enables writing to the PmnPFS register.
3. Clear the Port Mode Control bit in the PMR for the target pin to select the general I/O port.
4. Specify the input/output function for the pin through the PSEL[4:0] bit settings in the PmnPFS register.
5. Set the PMR to 1 as required to switch to the selected input/output function for the pin.
6. Clear the PFSWE bit in the PWPR register. This disables writing to the PmnPFS register.
7. Set 1 to the B0WI bit in the PWPR register. This disables writing to the PFSWE bit in the PWPR register.

19.5.2 Procedure for Using Port Group Input

To use the port group input (PORT1 to PORT4):

1. Set the ELSRx.ELS[7:0] bits to 0000000b to ignore the unexpected pulse. For more information, see [section 18, Event Link Controller \(ELC\)](#).
2. Set the EOF/EOR bit of the PmnPFS register to specify the rising, falling, or both edge detections.
3. Execute a dummy read or wait for a short time, for example 100 ns. Ignore the unexpected pulse that occurs depending on the initial value of the external pin.
4. Set the ELSRx.ELS[8:0] bits to enable the event signals.

19.5.3 Port Output Data Register (PODR) Summary

This register outputs data as follows:

1. Output 0 if PCNTR4.EORR is set to 1 when an ELC_PORT1, 2, 3, or 4 signal occurs.
2. Output 1 if the PCNTR4.EOSR is set to 1 when the ELC_PORT1, 2, 3, or 4 occurs from the ELC.
3. Output 0 if PCNTR3.PORR is set to 1.
4. Output 1 if PCNTR3.POSR is set to 1.
5. Output 0 or 1 because PCNTR1.PODR is set.
6. Output 0 or 1 because PmnPFS.PODR is set.

Numbers in this list correspond to the priority for writing to the PODR. For example, if **1.** and **3.** from the list occur at the same time, the higher priority **1.** is executed.

19.5.4 Notes on Using Analog Functions

To use an analog function, set the associated bits in both the Port Mode Control bit (PMR) and Port Direction bit (PDR) to 0 so that the pin acts as a general input port. Next, set the Analog Input Enable bit in the Port mn Pin Function Select Register (PmnPFS.ASEL) to 1.

19.5.5 I/O Buffer Specification

When the P402, P403, and P404 pins are configured as outputs or inputs with the internal pull-up resistor, set the VBTCR1.BPWSWSTP bit to 1 before setting the I/O registers regardless of whether or not the battery backup function is used. This setting is only required one time after a power-on reset. Clear the VBTCR1.BPWSWSTP bit to 0 again after setting registers associated with the battery backup function, when using the battery backup function.

The setting flow of the VBTCR1.BPWSWSTP bit is shown in [Figure 11.2](#).

The P402, P403, and P404 pins can be used as the RTC input pins RTCICn, where n = 0 to 2. When these input pins are enabled by the VBTICTLR register, the output function of these pins is forced to disable. Therefore, the VBTICTLR register must be set to 0 to use the port function.

Note: The VBTICTLR register is not initialized on reset. For more information, see [section 11, Battery Backup Function](#).

19.5.6 Selecting the USB_DP and USB_DM Pins

The USB_DP pin is shared with pin P914. The USB_DM pin is shared with pin P915. USB_DP and P914 pins can be set with the PFS.P914PFS.PMR bit, and USB_DM and P915 pins can be set with the PFS.P915PFS.PMR bit. [Table 19.4](#) shows the setting values of bits PFS.P914PFS.PMR and PFS.P915PFS.PMR with each selected pin.

Table 19.4 Selecting the USB/PORT pins

| PMR bit settings | | Pins selected | |
|------------------|-----------------|-----------------|-----------------|
| P914PFS.PMR bit | P915PFS.PMR bit | P914/USB_DP pin | P915/USB_DM pin |
| 0 | 0 | P914 | P915 |
| 0 | 1 | P914 | P915 |
| 1 | 0 | P914 | P915 |
| 1 | 1 | USB_DP | USB_DM |

Note: When using P914/USB_DP and P915/USB_DM as GPIO pins (P914 and P915), use the USB registers with their initial values.

Note: When using P914/USB_DP and P915/USB_DM as USB pins (USB_DP and USB_DM), use the GPIO registers for P914 and P915 with their initial values.

Note: When using P914/USB_DP and P915/USB_DM as GPIO pins or USB pins, set these pins only once after a reset.

19.5.7 Pull-up/Pull-down Setting for P914 and P915 using USBFS/GPIO Function

When P914 and P915 are used as GPIO pins, their operation is affected by the pull-up/pull-down function of the USBFS registers.

Therefore, before using the GPIO function, disable the pull-up and pull-down control of the USBFS registers using the SYSCFG.DMRPU, SYSCFG.DPRPU and SYSCFG.DRPD bits.

19.6 Peripheral Select Settings for each Product

This section describes the pin function select configuration by the PmnPFS register. Assigning the same function to two or more pins simultaneously is prohibited.

Table 19.5 Register settings for input/output pin function (PORT0)

| PSEL[4:0] bit settings | Function | Pin | | | | | | | |
|----------------------------|---------------|-----------------|-----------------|-----------------|-----------------|-----------------|-----------------|-----------------|-----------------|
| | | P000 | P001 | P002 | P003 | P004 | P005 | P006 | P007 |
| 00000b (value after reset) | Hi-Z/JTAG/SWD | Hi-Z | | | | | | | |
| 01100b | CTSU | TS21 | TS22 | — | — | — | — | — | — |
| ASEL bit | | AN000/ AMP0+ | AN001/ AMP0- | AN002/ AMP0O | AN003/ AMP1O | AN004/ AMP2O | AN011/ AMP3+ | AN012/ AMP3- | AN013/ AMP3O |
| ISEL bit | | IRQ6 | IRQ7 | IRQ2 | — | IRQ3 | IRQ10 | — | — |
| PCR bit | | ✓ | ✓ | ✓ | ✓ | ✓ | ✓ | ✓ | ✓ |
| DSCR bit | | L/M | L/M | L/M | L/M | L/M | L/M | L/M | L/M |
| 100-pin product | | ✓ | ✓ | ✓ | ✓ | ✓ | ✓ | ✓ | ✓ |
| 64-pin product | | ✓ | ✓ | ✓ | ✓ | ✓ | | | |
| 48-pin product | | ✓ | ✓ | ✓ | | | | | |
| 40-pin product | | ✓ | ✓ | | | | | | |

| PSEL[4:0] bit settings | Function | Pin | | | | | | |
|----------------------------|---------------|-------|----------------------------|----------------------------|--------------------------|---------------------------|---------------|-------|
| | | P008 | P010 | P011 | P012 | P013 | P014 | P015 |
| 00000b (value after reset) | Hi-Z/JTAG/SWD | Hi-Z | | | | | | |
| 01100b | CTSU | — | TS30 | TS31 | — | — | — | TS28 |
| ASEL bit | | AN014 | AN005/ VREFH0/ AMP2- | AN006/ VREFL0/ AMP2+ | AN007 VREFH/ AMP1- | AN008/ VREFL/ AMP1+ | AN009/ DA0 | AN010 |
| ISEL bit | | — | — | IRQ15 | — | — | — | IRQ7 |
| PCR bit | | ✓ | ✓ | ✓ | ✓ | ✓ | ✓ | ✓ |
| DSCR bit | | L/M | L/M | L/M | L/M | L/M | L/M | L/M |
| 100-pin product | | ✓ | ✓ | ✓ | ✓ | ✓ | ✓ | ✓ |
| 64-pin product | | | ✓ | ✓ | ✓ | ✓ | ✓ | ✓ |
| 48-pin product | | | ✓ | ✓ | ✓ | ✓ | ✓ | ✓ |
| 40-pin product | | | ✓ | ✓ | ✓ | ✓ | ✓ | ✓ |

✓: Available

—: Setting prohibited

Table 19.6 Register settings for input/output pin function (PORT1) (1)

| PSEL[4:0] bit settings | Function | Pin | | | | | | | |
|----------------------------|---------------------------|-------------------------|-------------------------|-------------------------|-------------------|-------------------------|---------|---------|---------|
| | | P100 | P101 | P102 | P103 | P104 | P105 | P106 | P107 |
| 00000b (value after reset) | Hi-Z/JTAG/SWD | Hi-Z | | | | | | | |
| 00001b | AGT | AGTIO0 | AGTEE0 | AGTO0 | — | — | — | — | — |
| 00010b | GPT | GTETRGA | GTETRGB | GTOULO | GTOUUP | GTETRGB | GTETRGA | — | — |
| 00011b | GPT | GTIOC5B | GTIOC5A | GTIOC2B | GTIOC2A | GTIOC1B | GTIOC1A | GTIOC0B | GTIOC0A |
| 00100b | SCI | RXD0/ MISO0/ SCL0 | TXD0/ MOSI0/ SDA0 | SCK0 | CTS0_RTS0/ SS0 | RXD0/ MISO0/ SCL0 | — | — | — |
| 00101b | SCI | SCK1 | CTS1_RTS1/ SS1 | TXD2/ MOSI2/ SDA2 | — | — | — | — | — |
| 00110b | SPI | MISOA | MOSIA | RSPCKA | SSLA0 | SSLA1 | SSLA2 | SSLA3 | — |
| 00111b | IIC | SCL1 | SDA1 | — | — | — | — | — | — |
| 01000b | KINT | KR00 | KR01 | KR02 | KR03 | KR04 | KR05 | KR06 | KR07 |
| 01001b | CLKOUT/ ACMPLP/ RTC | — | — | — | — | — | — | — | — |
| 01010b | CAC/ADC14 | — | — | ADTRG0 | — | — | — | — | — |
| 01100b | CTSU | — | — | — | — | TS13 | TS34 | — | — |
| 01101b | SLCDC | VL1 | VL2 | VL3 | VL4 | COM0 | COM1 | COM2 | COM3 |
| 10000h | CAN | — | — | CRX0 | CTX0 | — | — | — | — |
| 10010b | SSIE | — | — | — | — | — | — | — | — |
| ASEL bit | | AN022/ CMPIN0 | AN021/ CMPREF0 | AN020/ CMPIN1 | AN019/ CMPREF1 | — | — | — | — |
| ISEL bit | | IRQ2 | IRQ1 | — | — | IRQ1 | IRQ0 | — | — |
| NCODR bit | | ✓ | ✓ | ✓ | ✓ | ✓ | ✓ | ✓ | ✓ |
| PCR bit | | ✓ | ✓ | ✓ | ✓ | ✓ | ✓ | ✓ | ✓ |
| DSCR bit | | L/M | L/M | L/M | L/M | L/M | L/M | L/M | L/M |
| 100-pin product | | ✓ | ✓ | ✓ | ✓ | ✓ | ✓ | ✓ | ✓ |
| 64-pin product | | ✓ | ✓ | ✓ | ✓ | ✓ | ✓ | ✓ | ✓ |
| 48-pin product | | ✓ | ✓ | ✓ | ✓ | ✓ | | | |
| 40-pin product | | ✓ | ✓ | ✓ | | | | | |

✓: Available

—: Setting prohibited

Table 19.7 Register settings for input/output pin function (PORT1) (2)

| PSEL[4:0] bit settings | Function | Pin | | | | | | | |
|----------------------------|---------------------------|-------------------|-------------------------|-------------------------|---------|-------------------------|---------------------|---------|---------|
| | | P108 | P109 | P110 | P111 | P112 | P113 | P114 | P115 |
| 00000b (value after reset) | Hi-Z/JTAG/SWD | TMS/ SWDIO | TDO/ TRACESWO | TDI | Hi-Z | | | | |
| 00001b | AGT | — | — | — | — | — | — | — | — |
| 00010b | GPT | GTOULO | GTOVUP | GTOVLO | — | — | — | — | — |
| 00011b | GPT | GTIOC0B | GTIOC1A | GTIOC1B | GTIOC3A | GTIOC3B | GTIOC2A | GTIOC2B | GTIOC4A |
| 00100b | SCI | — | SCK1 | CTS2_RTS2/ SS2 | SCK2 | TXD2/ MOSI2/ SDA2 | — | — | — |
| 00101b | SCI | CTS9_RTS9/ SS9 | TXD9/ MOSI9/ SDA9 | RXD9/ MISO9/ SCL9 | SCK9 | SCK1 | — | — | — |
| 00110b | SPI | SSLB0 | MOSIB | MISOB | RSPCKB | SSLB0 | — | — | — |
| 00111b | IIC | — | — | — | — | — | — | — | — |
| 01000b | KINT | — | — | — | — | — | — | — | — |
| 01001b | CLKOUT/ ACMPLP/ RTC | — | CLKOUT | VCOUT | — | — | — | — | — |
| 01010b | CAC/ADC14 | — | — | — | — | — | — | — | — |
| 01100b | CTSUS | — | TS10 | — | TS12 | TSCAP | TS27 | TS29 | TS35 |
| 01101b | SLCDC | — | SEG23 | SEG24 | CAPH | CAPL | SEG00/COM4 | SEG25 | SEG26 |
| 10000b | CAN | — | CTX0 | CRX0 | — | — | — | — | — |
| 10010b | SSIE | — | — | — | — | SSIBCK0 | SSILRCK0/ SSIFS0 | SSIRXD0 | SSITXD0 |
| ASEL bit | | — | — | — | — | — | — | — | — |
| ISEL bit | | — | — | IRQ3 | IRQ4 | — | — | — | — |
| NCODR bit | | ✓ | ✓ | ✓ | ✓ | ✓ | ✓ | ✓ | ✓ |
| PCR bit | | ✓ | ✓ | ✓ | ✓ | ✓ | ✓ | ✓ | ✓ |
| DSCR bit | | L/M | L/M | L/M | L/M | L/M | L/M | L/M | L/M |
| 100-pin product | | ✓ | ✓ | ✓ | ✓ | ✓ | ✓ | ✓ | ✓ |
| 64-pin product | | ✓ | ✓ | ✓ | ✓ | ✓ | ✓ | | |
| 48-pin product | | ✓ | ✓ | ✓ | ✓ | ✓ | | | |
| 40-pin product | | ✓ | ✓ | ✓ | ✓ | ✓ | | | |

✓: Available

—: Setting prohibited

Table 19.8 Register settings for input/output pin function (PORT2) (1)

| PSEL[4:0] bit settings | Function | Pin | | | | | | |
|----------------------------|---------------------------|------|------|-----------------|-----------------|-----------------|-----------------|-----------------|
| | | P200 | P201 | P202 | P203 | P204 | P205 | P206 |
| 00000b (value after reset) | Hi-Z/JTAG/SWD | Hi-Z | | | | | | |
| 00001b | AGT | — | — | — | — | AGTIO1 | AGTO1 | — |
| 00010b | GPT | — | — | — | — | GTIW | GTIV | GTIU |
| 00011b | GPT | — | — | GTIOC5B | GTIOC5A | GTIOC4B | GTIOC4A | — |
| 00100b | SCI | — | — | SCK2 | CTS2_RTS2/SS2 | SCK0 | TXD0/MOSI0/SDA0 | RXD0/MISO0/SCL0 |
| 00101b | SCI | — | — | RXD9/MISO9/SCL9 | TXD9/MOSI9/SDA9 | SCK9 | CTS9_RTS9/SS9 | — |
| 00110b | SPI | — | — | MISOB | MOSIB | RSPCKB | SSLB0 | SSLB1 |
| 00111b | IIC | — | — | — | — | SCL0 | SCL1 | SDA1 |
| 01001b | CLKOUT/ ACMPLP/ RTC | — | — | — | — | — | CLKOUT | — |
| 01010b | CAC/ADC14 | — | — | — | — | CACREF | — | — |
| 01100b | CTSUS | — | — | — | TSCAP | TS00 | TSCAP | TS01 |
| 01101b | SLCDC | — | — | SEG16 | SEG15 | SEG14 | SEG13 | SEG12 |
| 10011b | USBFS | — | — | — | — | USB_OVRCUR B | USB_OVRCUR A | USB_VBUSEN |
| ISEL bit | | NMI | — | — | — | — | IRQ1 | IRQ0 |
| NCODR bit | | — | ✓ | ✓ | ✓ | ✓ | ✓ | ✓ |
| PCR bit | | — | ✓ | ✓ | ✓ | ✓ | ✓ | ✓ |
| DSCR bit | | — | L/M | L/M | L/M | L/M | L/M | L/M |
| 100-pin product | | ✓ | ✓ | ✓ | ✓ | ✓ | ✓ | ✓ |
| 64-pin product | | ✓ | ✓ | | | ✓ | ✓ | ✓ |
| 48-pin product | | ✓ | ✓ | | | | | ✓ |
| 40-pin product | | ✓ | ✓ | | | | | |

✓: Available

—: Setting prohibited

Table 19.9 Register settings for input/output pin function (PORT2) (2)

| PSEL[4:0] bit settings | Function | Pin | | | |
|----------------------------|--------------------------|-------------------------|-------------------------|------|------|
| | | P212 | P213 | P214 | P215 |
| 00000b (value after reset) | Hi-Z/JTAG/SWD | Hi-Z | | | |
| 00001b | AGT | AGTEE1 | — | — | — |
| 00010b | GPT | GTETRGB | GTETRGA | — | — |
| 00011b | GPT | GTIOC0B | GTIOC0A | — | — |
| 00100b | SCI | — | — | — | — |
| 00101b | SCI | RXD1/ MISO1/ SCL1 | TXD1/ MOS11/ SDA1 | — | — |
| 00110b | SPI | — | — | — | — |
| 00111b | IIC | — | — | — | — |
| 01001b | CLKOUT/ ACMLP/ RTC | — | — | — | — |
| 01010b | CAC/ADC14 | — | — | — | — |
| 01100b | CTSU | — | — | — | — |
| 01101b | SLCDC | — | — | — | — |
| 10011b | USBFS | — | — | — | — |
| ISEL bit | | IRQ3 | IRQ2 | — | — |
| NCODR bit | | ✓ | ✓ | — | — |
| PCR bit | | ✓ | ✓ | — | — |
| DSCR bit | | — | — | — | — |
| 100-pin product | | ✓ | ✓ | ✓ | ✓ |
| 64-pin product | | ✓ | ✓ | ✓ | ✓ |
| 48-pin product | | ✓ | ✓ | ✓ | ✓ |
| 40-pin product | | ✓ | ✓ | ✓ | ✓ |

✓: Available

—: Setting prohibited

Table 19.10 Register settings for input/output pin function (PORT3)

| PSEL[4:0] bit settings | Function | Pin | | | | | | | |
|----------------------------|---------------|---------------|-------------------------|-------------------------|------------|---------|-------|-------|-------|
| | | P300 | P301 | P302 | P303 | P304 | P305 | P306 | P307 |
| 00000b (value after reset) | Hi-Z/JTAG/SWD | TCK/ SWCLK | Hi-Z | | | | | | |
| 00001b | AGT | — | AGTIO0 | — | — | — | — | — | — |
| 00010b | GPT | GTOUUP | GTOULO | GTOUUP | — | — | — | — | — |
| 00011b | GPT | GTIOC0A | GTIOC4B | GTIOC4A | GTIOC7B | GTIOC7A | — | — | — |
| 00100b | SCI | — | RXD2/ MISO2/ SCL2 | TXD2/ MOSI2/ SDA2 | — | — | — | — | — |
| 00101b | SCI | — | CTS9_RTS9/ SS9 | — | — | — | — | — | — |
| 00110b | SPI | SSLB1 | SSLB2 | SSLB3 | — | — | — | — | — |
| 01100b | CTSUSU | — | TS09 | TS08 | TS02 | TS11 | — | — | — |
| 01101b | SLCDC | — | SEG01/COM5 | SEG02/COM6 | SEG03/COM7 | SEG20 | SEG19 | SEG18 | SEG17 |
| ISEL bit | | — | IRQ6 | IRQ5 | — | IRQ9 | IRQ8 | — | — |
| NCODR bit | | ✓ | ✓ | ✓ | ✓ | ✓ | ✓ | ✓ | ✓ |
| PCR bit | | ✓ | ✓ | ✓ | ✓ | ✓ | ✓ | ✓ | ✓ |
| DSCR bit | | L/M | L/M | L/M | L/M | L/M | L/M | L/M | L/M |
| 100-pin product | | ✓ | ✓ | ✓ | ✓ | ✓ | ✓ | ✓ | ✓ |
| 64-pin product | | ✓ | ✓ | ✓ | ✓ | ✓ | | | |
| 48-pin product | | ✓ | ✓ | ✓ | | | | | |
| 40-pin product | | ✓ | ✓ | | | | | | |

✓: Available

—: Setting prohibited

Table 19.11 Register settings for input/output pin function (PORT4) (1)

| PSEL[4:0] bit settings | Function | Pin | | | | | | | |
|----------------------------|---------------------------|-----------|-------------------------|-------------------------|-----------------------|--------------------|---------|---------|-------------------|
| | | P400 | P401 | P402 | P403 | P404 | P405 | P406 | P407 |
| 00000b (value after reset) | Hi-Z/JTAG/SWD | Hi-Z | | | | | | | |
| 00001b | AGT | AGTIO1 | — | AGTIO0*2/ AGTIO1*2 | AGTIO0*2/ AGTIO1*2 | — | — | — | AGTIO0 |
| 00010b | GPT | — | GTETRGA | — | — | — | — | — | — |
| 00011b | GPT | GTIOC6A | GTIOC6B | — | GTIOC3A | GTIOC3B | GTIOC1A | GTIOC1B | — |
| 00100b | SCI | SCK0 | CTS0_RTS0/ SS0 | — | — | — | — | — | CTS0_RTS0/ SS0 |
| 00101b | SCI | SCK1 | TXD1/ MOSI1/ SDA1 | RXD1/ MISO1/ SCL1 | CTS1_RTS1/ SS1 | — | — | — | — |
| 00110b | SPI | — | — | — | — | — | — | — | SSLB3 |
| 00111b | IIC | SCL0 | SDA0 | — | — | — | — | — | SDA0 |
| 01001b | CLKOUT/ ACMPLP/ RTC | — | — | — | — | — | — | — | RTCCOUT |
| 01010b | CAC/ADC14 | CACREF | — | — | — | — | — | — | ADTRG0 |
| 01100b | CTSUS | TS20 | TS19 | TS18 | TS17 | — | — | — | TS03 |
| 01101b | SLCDC | SEG04 | SEG05 | SEG06 | — | — | — | — | SEG11 |
| 10000b | CAN | — | CTX0 | CRX0 | — | — | — | — | — |
| 10010b | SSIE | AUDIO_CLK | — | — | SSIBCK0 | SSLRCK0/ SSIFS0 | SSITXD0 | SSIRXD0 | — |
| 10011b | USBFS | — | — | — | — | — | — | — | USB_VBUS |
| Don't care | — | — | — | RTCCIC0*1 | RTCCIC1*1 | RTCCIC2*1 | — | — | — |
| ISEL bit | — | IRQ0 | IRQ5 | IRQ4 | — | — | — | — | — |
| NCODR bit | — | ✓ | ✓ | ✓ | ✓ | ✓ | ✓ | ✓ | ✓ |
| PCR bit | — | ✓ | ✓ | ✓ | ✓ | ✓ | ✓ | ✓ | ✓ |
| DSCR bit | — | L/M | L/M | L/M | L/M | L/M | L/M | L/M | L/M |
| 100-pin product | — | ✓ | ✓ | ✓ | ✓ | ✓ | ✓ | ✓ | ✓ |
| 64-pin product | — | ✓ | ✓ | ✓ | — | — | — | — | ✓ |
| 48-pin product | — | ✓ | — | — | — | — | — | — | ✓ |
| 40-pin product | — | — | — | — | — | — | — | — | ✓ |

✓: Available

—: Setting prohibited

Note 1. To use this pin function, set the corresponding pin as general input (set the PmnPFS.PDR and PmnPFS.PMR bits to 0).

Note 2. To use this pin function, set the PmnPFS.PSEL[4:0] bits and set the AGTIOSEL.SEL[1:0] bits. (described in [section 23.2.10, AGT Pin Select Register \(AGTIOSEL\)](#).)

Table 19.12 Register settings for input/output pin function (PORT4) (2)

| PSEL[4:0] bit settings | Function | Pin | | | | | | | |
|----------------------------|-------------------|-----------------|-----------------|-----------------|-----------------|--------|---------------|---------|---------|
| | | P408 | P409 | P410 | P411 | P412 | P413 | P414 | P415 |
| 00000b (value after reset) | Hi-Z/JTAG/SWD | Hi-Z | | | | | | | |
| 00001b | AGT | — | — | AGTOB1 | AGTOA1 | — | — | — | — |
| 00010b | GPT | GTOWLO | GTOWUP | GTOVLO | GTOVUP | — | — | — | — |
| 00011b | GPT | GTIOC5B | GTIOC5A | GTIOC6B | GTIOC6A | — | — | GTIOC0B | GTIOC0A |
| 00100b | SCI | CTS1_RTS1/SS1 | — | RXD0/MISO0/SCL0 | TXD0/MOSI0/SDA0 | SCK0 | CTS0_RTS0/SS0 | — | — |
| 00101b | SCI | RXD9/MISO9/SCL9 | TXD9/MOSI9/SDA9 | — | — | — | — | — | — |
| 00110b | SPI | — | — | MISOA | MOSIA | RSPCKA | SSLA0 | SSLA1 | SSLA2 |
| 00111b | IIC | SCL0 | — | — | — | — | — | — | — |
| 01001b | CLKOUT/ACMPLP/RTC | — | — | — | — | — | — | — | — |
| 01010b | CAC/ADC14 | — | — | — | — | — | — | — | — |
| 01100b | CTSUS | TS04 | TS05 | TS06 | TS07 | — | — | — | — |
| 01101b | SLCDC | SEG10 | SEG09 | SEG08 | SEG07 | — | — | — | — |
| 10000b | CAN | — | — | — | — | — | — | — | — |
| 10010b | SSIE | — | — | — | — | — | — | — | — |
| 10011b | USBFS | USB_ID | USB_EXICEN | — | — | — | — | — | — |
| Don't care | | — | — | — | — | — | — | — | — |
| ISEL bit | | IRQ7 | IRQ6 | IRQ5 | IRQ4 | — | — | IRQ9 | IRQ8 |
| NCODR bit | | ✓ | ✓ | ✓ | ✓ | ✓ | ✓ | ✓ | ✓ |
| PCR bit | | ✓ | ✓ | ✓ | ✓ | ✓ | ✓ | ✓ | ✓ |
| DSCR bit | | L/M/M(IIC) | L/M | L/M | L/M | L/M | L/M | L/M | L/M |
| 100-pin product | | ✓ | ✓ | ✓ | ✓ | ✓ | ✓ | ✓ | ✓ |
| 64-pin product | | ✓ | ✓ | ✓ | ✓ | | | | |
| 48-pin product | | ✓ | ✓ | | | | | | |
| 40-pin product | | ✓ | | | | | | | |

✓: Available

—: Setting prohibited

Table 19.13 Register settings for input/output pin function (PORT5)

| PSEL[4:0] bit settings | Function | Pin | | | | | |
|----------------------------|---------------|-------------------|-------------------------|-------------------------|------------------|-------------------|-------|
| | | P500 | P501 | P502 | P503 | P504 | P505 |
| 00000b (value after reset) | Hi-Z/JTAG/SWD | Hi-Z | | | | | |
| 00001b | AGT | AGTOA0 | AGTOB0 | — | — | — | — |
| 00010b | GPT | GTIU | GTIV | GTIW | — | — | — |
| 00011b | GPT | GTIOC2A | GTIOC2B | GTIOC3B | — | — | — |
| 00101h | SCI | — | TXD1/ MOS11/ SDA1 | RXD1/ MISO1/ SCL1 | SCK1 | CTS1_RTS1/ SS1 | — |
| 01101b | SLCDC | SEG34 | SEG35 | SEG36 | SEG37 | — | — |
| 10011b | USBFS | USB_VBUSEN | USB_OVRCUR A | USB_OVRCUR B | USB_EXICEN | USB_ID | — |
| ASEL bit | | AN016/ CMPREF1 | AN017/ CMPIN1 | AN018/ CMPREF0 | AN023/ CMPIN0 | AN024 | AN025 |
| ISEL bit | | — | IRQ11 | IRQ12 | — | — | IRQ14 |
| NCODR bit | | ✓ | ✓ | ✓ | ✓ | ✓ | ✓ |
| PCR bit | | ✓ | ✓ | ✓ | ✓ | ✓ | ✓ |
| DSCR bit | | L/M | L/M | L/M | L/M | L/M | L/M |
| 100-pin product | | ✓ | ✓ | ✓ | ✓ | ✓ | ✓ |
| 64-pin product | | ✓ | ✓ | ✓ | | | |
| 48-pin product | | ✓ | | | | | |
| 40-pin product | | | | | | | |

✓: Available

—: Setting prohibited

Table 19.14 Register settings for input/output pin function (PORT6)

| PSEL[4:0] bit settings | Function | Pin | | | |
|----------------------------|---------------|---------|-------------------------|-------------------------|-------------------|
| | | P600 | P601 | P602 | P603 |
| 00000b (value after reset) | Hi-Z/JTAG/SWD | Hi-Z | | | |
| 00011b | GPT | GTIOC6B | GTIOC6A | GTIOC7B | GTIOC7A |
| 00101b | SCI | SCK9 | RXD9/ MISO9/ SCL9 | TXD9/ MOSI9/ SDA9 | CTS9_RTS9/ SS9 |
| 01101b | SLCDC | SEG33 | SEG32 | SEG31 | SEG30 |
| NCODR bit | | ✓ | ✓ | ✓ | ✓ |
| PCR bit | | ✓ | ✓ | ✓ | ✓ |
| DSCR bit | | L/M | L/M | L/M | L/M |
| 100pin product | | ✓ | ✓ | ✓ | ✓ |
| 64pin product | | | | | |
| 48pin product | | | | | |
| 40pin product | | | | | |

| PSEL[4:0] bits settings | Function | Pin | | |
|----------------------------|---------------|---------|---------|---------|
| | | P608 | P609 | P610 |
| 00000b (Value after reset) | Hi-Z/JTAG/SWD | Hi-Z | | |
| 00011b | GPT | GTIOC4B | GTIOC5A | GTIOC5B |
| 00101b | SCI | | | |
| 01101b | SLCDC | SEG27 | SEG28 | SEG29 |
| NCODR bit | | ✓ | ✓ | ✓ |
| PCR bit | | ✓ | ✓ | ✓ |
| DSCR bit | | L/M | L/M | L/M |
| 100-pin product | | ✓ | ✓ | ✓ |
| 64-pin product | | | | |
| 48-pin product | | | | |
| 40-pin product | | | | |

✓: Available
 —: Setting prohibited

Table 19.15 Register settings for input/output pin function (PORT7)

| PSEL[4:0] bit settings | Function | Pin | |
|----------------------------|---------------|-------------------------|--|
| | | P708 | |
| 00000b (value after reset) | Hi-Z/JTAG/SWD | Hi-Z | |
| 00101b | SCI | RXD1/ MISO1/ SCL1 | |
| 00110b | SPI | SSLA3 | |
| NCODR bit | | ✓ | |
| PCR bit | | ✓ | |
| DSCR bit | | L/M | |
| 100-pin product | | ✓ | |
| 64-pin product | | | |
| 48-pin product | | | |
| 40-pin product | | | |

✓: Available

—: Setting prohibited

Table 19.16 Register settings for input/output pin function (PORT8)

| PSEL[4:0] bit settings | Function | Pin | |
|----------------------------|---------------|-------|-------|
| | | P808 | P809 |
| 00000b (value after reset) | Hi-Z/JTAG/SWD | Hi-Z | |
| 01101b | SLCDC | SEG21 | SEG22 |
| NCODR bit | | ✓ | ✓ |
| PCR bit | | ✓ | ✓ |
| DSCR bit | | L/M | L/M |
| 100-pin product | | ✓ | ✓ |
| 64-pin product | | | |
| 48-pin product | | | |
| 40-pin product | | | |

✓: Available

—: Setting prohibited

Table 19.17 Register settings for input/output pin function (PORT9)

| PSEL[4:0] bit settings | Function | Pin | |
|----------------------------|---------------|----------|----------|
| | | P914 | P915 |
| 00000b (Value after reset) | Hi-Z/JTAG/SWD | Hi-Z | |
| Don't care | | (USB_DP) | (USB_DM) |
| 100-pin product | | ✓ | ✓ |
| 64-pin product | | ✓ | ✓ |
| 48-pin product | | ✓ | ✓ |
| 40-pin product | | ✓ | ✓ |

✓: Available

—: Setting prohibited

20. Key Interrupt Function (KINT)

20.1 Overview

A key interrupt (KEY_INTKR) can be generated by setting the Key Return Mode register (KRM) and inputting a rising or falling edge to the key interrupt input pins, KR00 to KR07.

Table 20.1 shows the assignment for key interrupt detection, Table 20.2 shows the function configuration, and Figure 20.1 shows the block diagram.

Table 20.1 Assignment of key interrupt detection pins

| Key Interrupt Mode Control n (n = 0 to 7) | Description |
|-------------------------------------------|-------------------------------------|
| KRM0 | Controls KR00 signal in 1-bit units |
| KRM1 | Controls KR01 signal in 1-bit units |
| KRM2 | Controls KR02 signal in 1-bit units |
| KRM3 | Controls KR03 signal in 1-bit units |
| KRM4 | Controls KR04 signal in 1-bit units |
| KRM5 | Controls KR05 signal in 1-bit units |
| KRM6 | Controls KR06 signal in 1-bit units |
| KRM7 | Controls KR07 signal in 1-bit units |

Table 20.2 Configuration of key interrupt function

| Parameter | Configuration |
|-------------------|---------------------------------------------------------------------------------------------------------|
| Input | KR00 to KR07 |
| Control registers | Key Return Control register (KRCTL) Key Return Mode register (KRM) Key Return Flag register (KRF) |

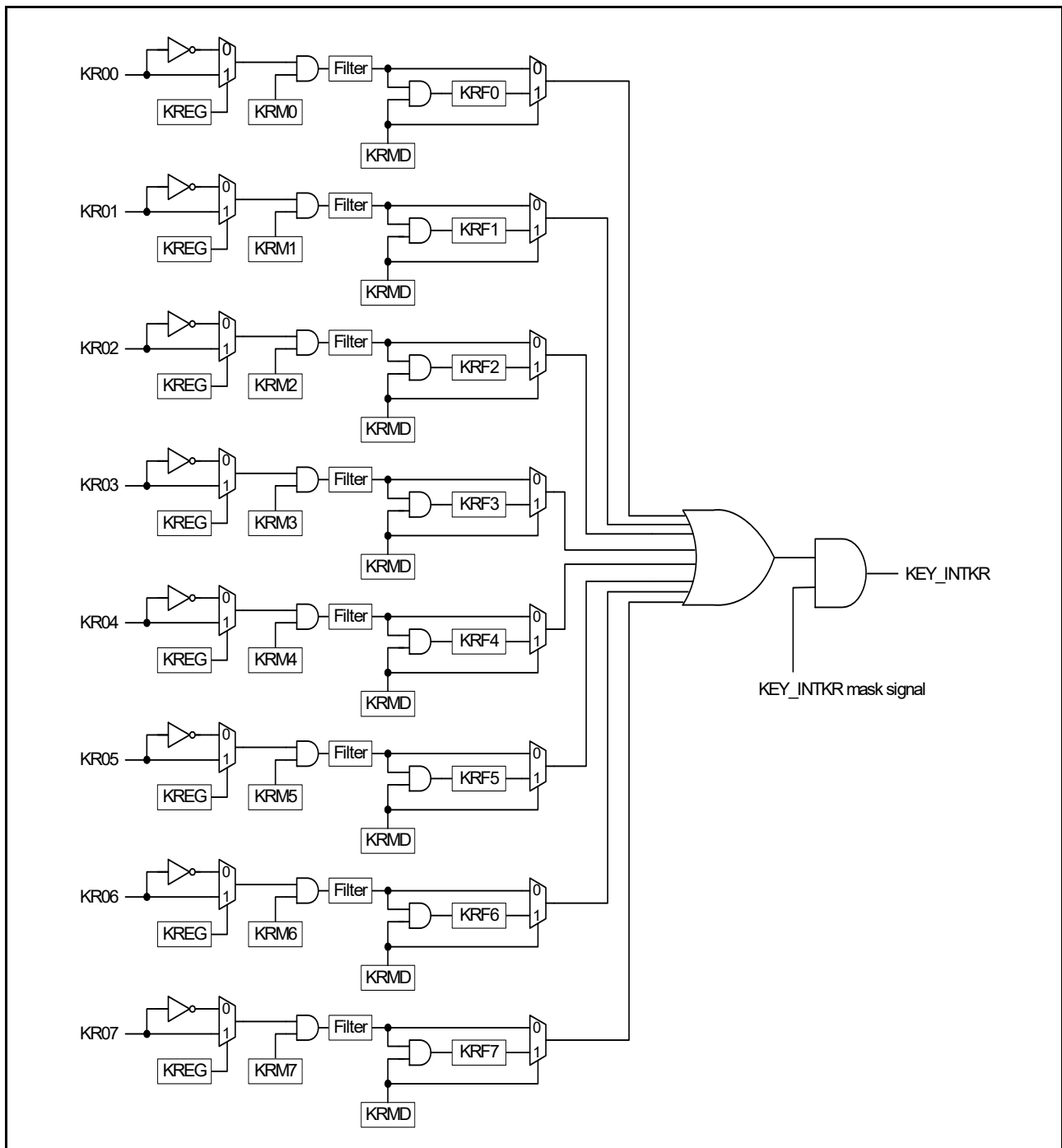


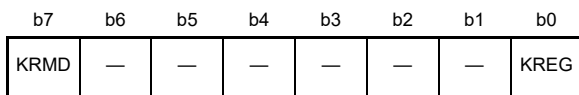
Figure 20.1 Key interrupt function block diagram

In [Figure 20.1](#), all key return factors are merged by an OR gate, and the key interrupt (KEY_INTKR) is the output of AND gate to mask merged key return factor by the KEY_INTKR mask signal. When using KRFn (KRMn = 1), the KEY_INTKR mask signal is used as the output mask that is asserted by clearing KRFn.

20.2 Register Descriptions

20.2.1 Key Return Control Register (KRCTL)

Address(es): [KINT.KRCTL 4008 0000h](#)



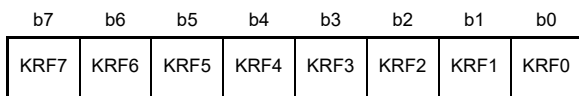
Value after reset: 0 0 0 0 0 0 0 0

| Bit | Symbol | Bit name | Description | R/W |
|----------|----------------------|---------------------------------------------|------------------------------------------------------------------|-----|
| b0 | KREG | Selection of Detection Edge (KR00 to KR07) | 0: Falling edge 1: Rising edge. | R/W |
| b6 to b1 | — | Reserved | These bits are read as 0. The write value should be 0. | R/W |
| b7 | KRMD | Usage of Key Interrupt Flags (KRF0 to KRF7) | 0: Do not use key interrupt flags 1: Use key interrupt flags. | R/W |

The KRCTL controls the usage of the key interrupt flags, KRF0 to KRF7, and sets the detection edge.

20.2.2 Key Return Flag Register (KRF)

Address(es): [KINT.KRF 4008 0004h](#)



Value after reset: 0 0 0 0 0 0 0 0

| Bit | Symbol | Bit name | Description | R/W |
|----------|--------|----------------------|------------------------------------------------------------|-----|
| b7 to b0 | KRFn | Key Interrupt Flag n | 0: No key interrupt detected 1: Key interrupt detected. | R/W |

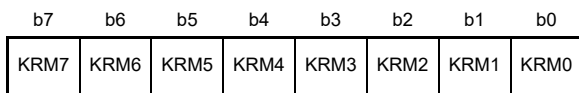
n = 0 to 7

Note: When KRMD = 0, setting the KRFn bit to 1 is prohibited.
When the KRFn bit is set to 1, the KRFn value does not change.
To clear the KRFn bit, confirm that the target bit is 1 before writing 0 to the bit, then write 1 to the other bits.

The KRF controls the key interrupt flags, KRF0 to KRF7.

20.2.3 Key Return Mode Register (KRM)

Address(es): [KINT.KRM 4008 0008h](#)



Value after reset: 0 0 0 0 0 0 0 0

| Bit | Symbol | Bit name | Description | R/W |
|----------|--------|------------------------------|--------------------------------------------------------------------------|-----|
| b7 to b0 | KRMn | Key Interrupt Mode Control n | 0: No key interrupt signal detected 1: Key interrupt signal detected. | R/W |

n = 0 to 7

Note: The on-chip pull-up resistors can be applied by setting the associated key interrupt input pin in the pull-up resistor. For details, see [section 19, I/O Ports](#).
 Key interrupts can be assigned by the PmnPFS.PSEL bits. For more information, see [section 19, I/O Ports](#).
 An interrupt is generated when the target bit in the KRM is set while a low level (KREG is set to 0) or a high level (KREG is set to 1) is being input to the key interrupt input pin. To ignore this interrupt, set the KRM after disabling the interrupt handling.

The KRM sets the key interrupt mode.

20.3 Operation

20.3.1 Operation When Not Using Key Interrupt Flag (KRMD = 0)

A key interrupt (KEY_INTKR) is generated when the valid edge specified in the KREG bit is input to a key interrupt pin, KR00 to KR07. To identify the channel to which the valid edge is input, read the port register and check the port level after the key interrupt (KEY_INTKR) is generated.

The KEY_INTKR signal changes based on the input level of the key interrupt input pin, KR00 to KR07.

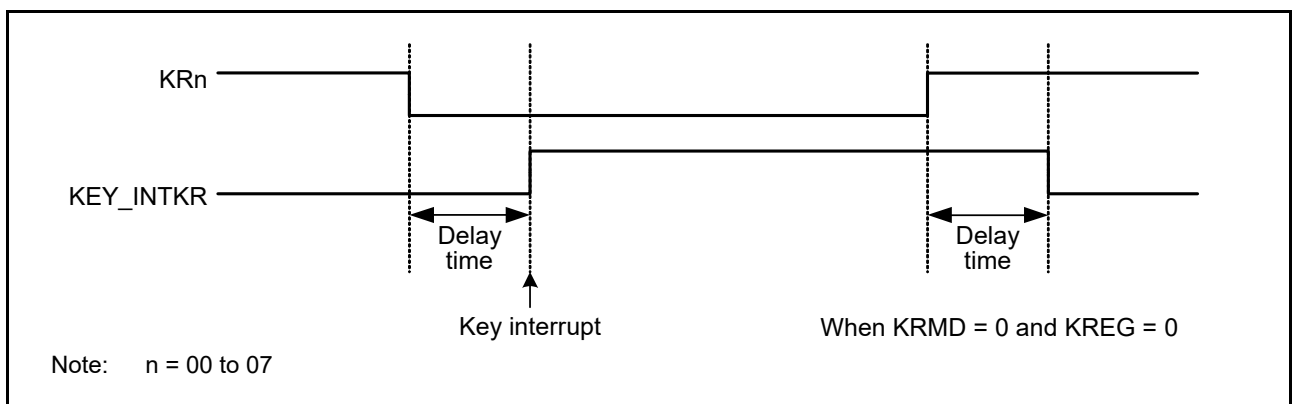


Figure 20.2 Operation of KEY_INTKR signal when a key interrupt is input to a single channel

[Figure 20.3](#) shows the operation when a valid edge is input to multiple key interrupt input pins. The KEY_INTKR signal is set while a low level is being input to one pin, that is, when KREG is set to 0. Therefore, even if a falling edge is input to another pin in this period, a key interrupt (KEY_INTKR) is not generated again. See [1] in [Figure 20.3](#).

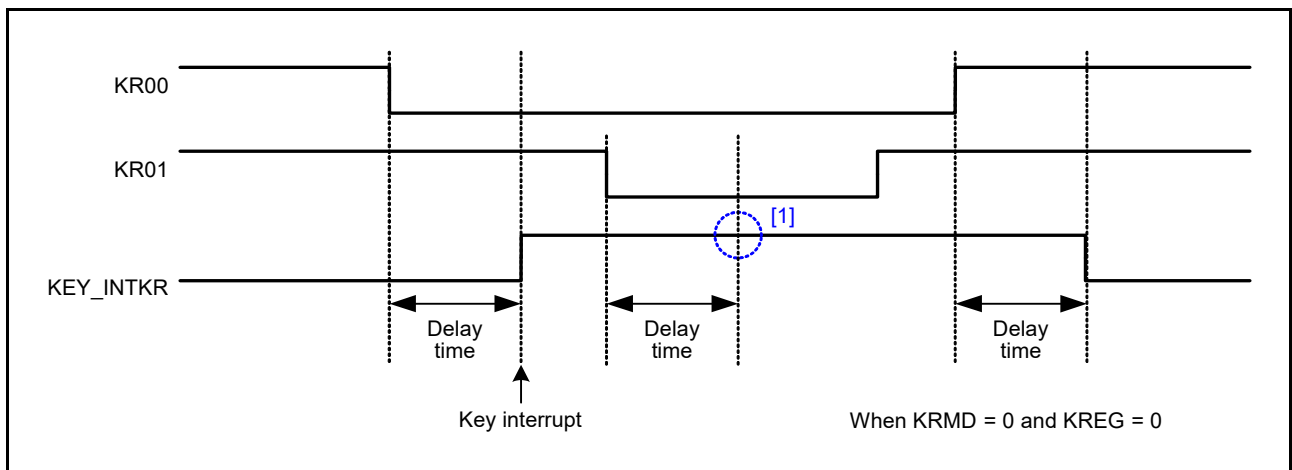


Figure 20.3 Operation of KEY_INTKR signal when key interrupts are input to multiple channels

20.3.2 Operation When Using Key Interrupt Flag (KRMD = 1)

A key interrupt (KEY_INTKR) is generated when the valid edge specified in the KREG bit is input to a key interrupt pin, KR00 to KR07. To identify the channels to which the valid edge is input, read the Key Return Flag register (KRF) after the key interrupt (KEY_INTKR) is generated. If the KRMD bit is set to 1, clear the KEY_INTKR signal by clearing the associated bit in the KRF.

As [Figure 20.4](#) shows, only one interrupt is generated each time a falling edge is input to one channel, that is, when KREG = 0, regardless of whether the KRFn bit is cleared before or after a rising edge is input.

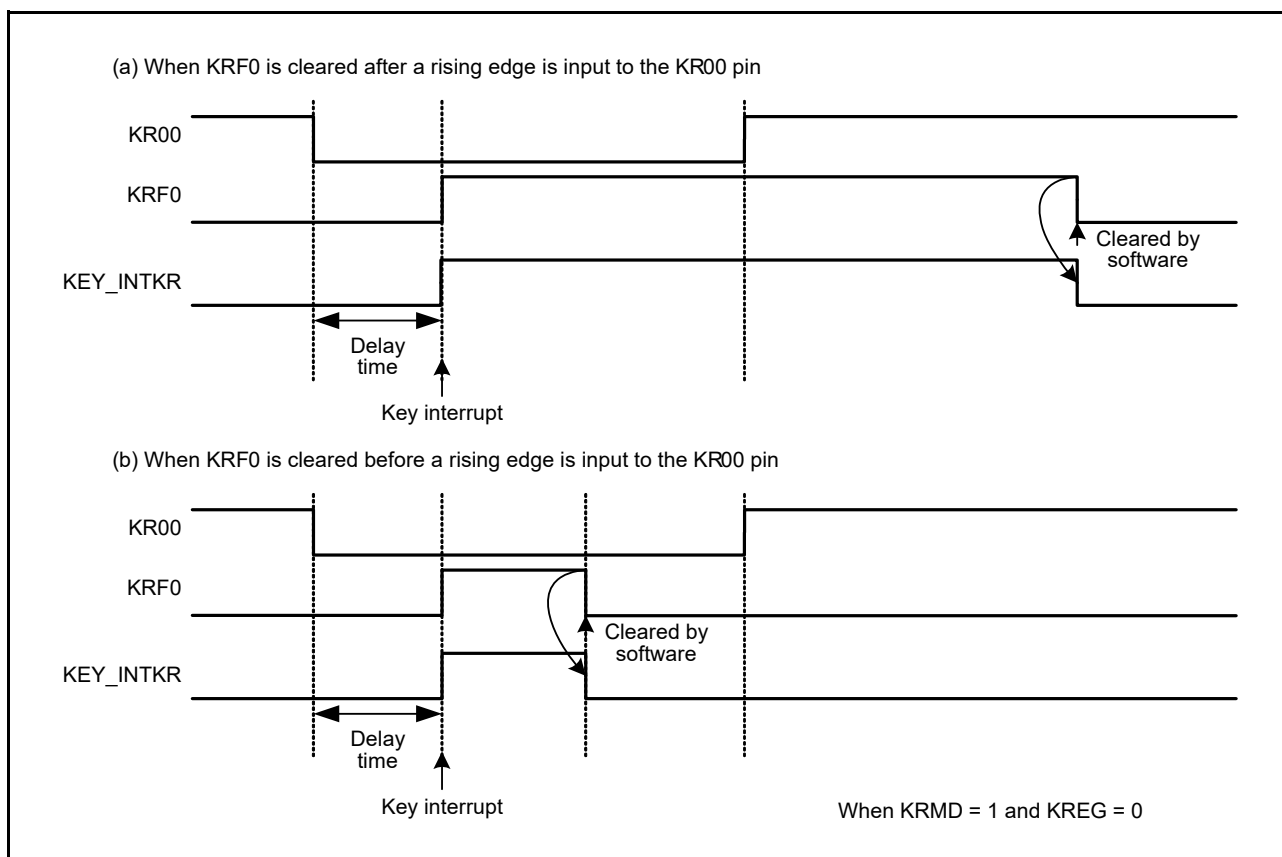


Figure 20.4 Basic operation of KEY_INTKR signal when key interrupt flag is used

The operation when a valid edge is input to multiple key interrupt input pins is shown in [Figure 20.5](#). A falling edge is also input to the KR01 and KR05 pins after a falling edge is input to the KR00 pin, that is, when KREG = 0. The KRF1 bit is set when the KRF0 bit is cleared. A key interrupt generates 1 PCLKB clock cycle, after the KRF0 bit is cleared. See [1] in [Figure 20.5](#). Also, after a falling edge is input to the KR05 pin, the KRF5 bit is set. See [2] in the figure when the KRF1 bit is cleared. A key interrupt generates 1 PCLKB clock cycle, after the KRF1 bit is cleared. See [3] in the figure. It is therefore possible to generate a key interrupt when a valid edge is input to multiple channels.

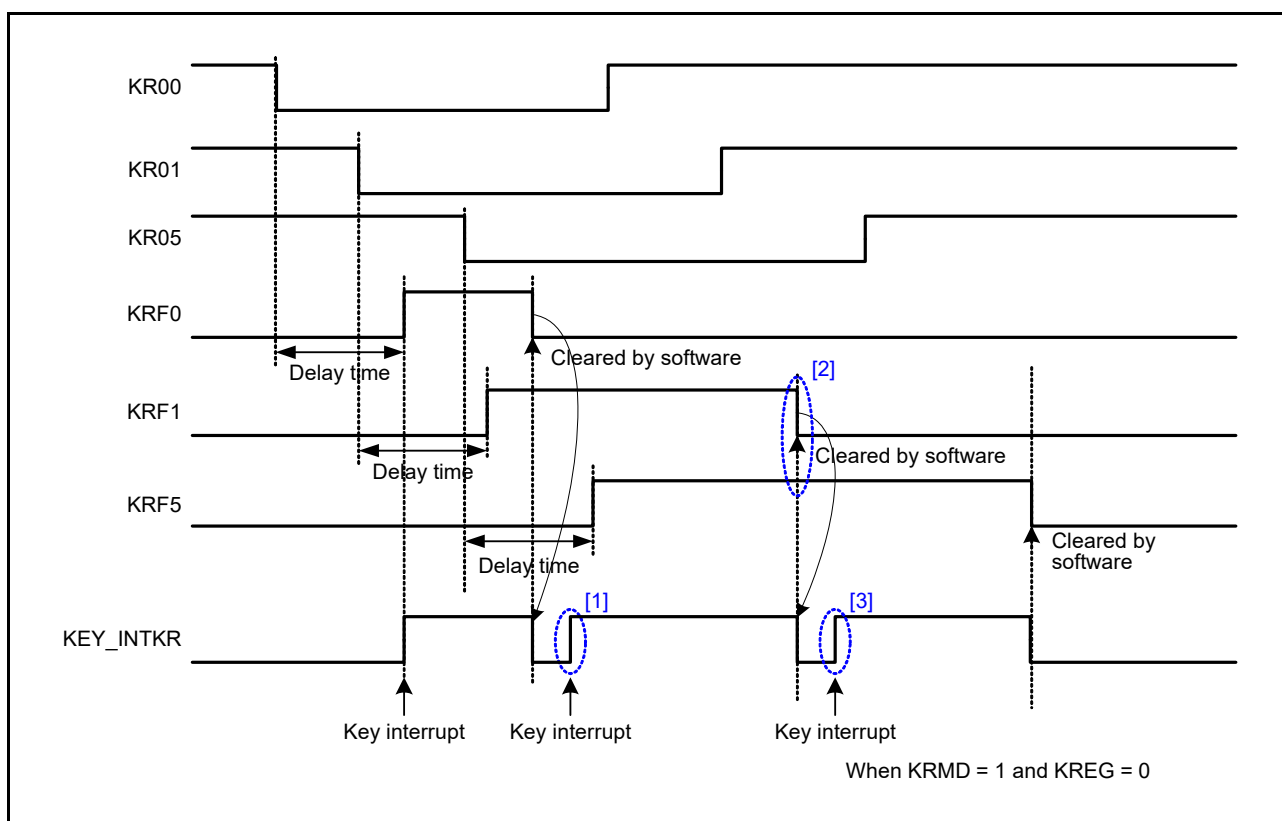


Figure 20.5 Operation of KEY_INTKR signal when key interrupts are input to multiple channels

20.4 Usage Note

- If KEY_INTKR is used as the snooze request, the KRMD bit must be set to 0.
- If KEY_INTKR is used as the interrupt source for returning to Normal mode from Snooze and Software Standby modes, the KRMD bit must be set to 1.
- When the key interrupt function is assigned to a pin, this pin input is always enabled in the Software Standby mode, and if this pin level changes, the associated KRFn can be set. Therefore, a key interrupt might occur on canceling the Software Standby mode.

To ignore changes to the key interrupt pin during a software standby, clear the associated KRM bit before entering Software Standby mode. After canceling Software Standby mode, clear KRFn before the associated KRM bit is set.

21. Port Output Enable for GPT (POEG)

21.1 Overview

The Port Output Enable (POEG) can place the General PWM Timer (GPT) output pins in the output-disable state in one of the following ways:

- Input level detection of the GTETRGN (n = A, B) pins
- Output-disable request from the GPT
- Comparator interrupt request detection
- Oscillation stop detection of the clock generation circuit
- Register settings.

The GTETRGN (n = A, B) pins can also be used as GPT external trigger input pins.

Table 21.1 lists the POEG specifications, Figure 21.1 shows the block diagram, and Table 21.2 lists the input pins.

Table 21.1 POEG specifications

| Parameter | Description |
|-------------------------------------------------------------------------------------------------------------------------|-----------------------------------------------------------------------------------------------------------------------------------------------------------------------------------------------------------------------------------------------------------------------------------------------------------------------------------------|
| Output-disable control through the input level detection | The GPT output pins can be disabled when a GTETRGN rising edge or high level is sampled after polarity and filter selection |
| Output-disable request from GPT | When the GTIOCA pin and the GTIOCB pin are driven to an active level simultaneously, the GPT generates an output-disable request to the POEG. Through reception of these requests, the POEG can control whether the GTIOCA and GTIOCB pins are output-disabled. |
| Output-disable control by the oscillation stop detection | The GPT output pins can be disabled when oscillation of the clock generation circuit stops |
| Output-disable control by software (registers) | The GPT output pins can be disabled by modifying the register settings |
| Interrupts | <ul style="list-style-type: none"> • Allows output-disable control by the input level detection • Allows output-disable request from the GPT. |
| External trigger output function to GPT (count start/count stop/count clear/up-count/down-count/input capture function) | The GTETRGN signals can be output to the GPT after polarity and filter selection |
| Noise filtering | <ul style="list-style-type: none"> • Three times sampling for every PCLKB/1, PCLKB/8, PCLKB/32, or PCLKB/128 can be set for each input pin GTETRGN • Positive or negative polarity can be selected for each input pin GTETRGN • The signal state after polarity and filter selection can be monitored. |

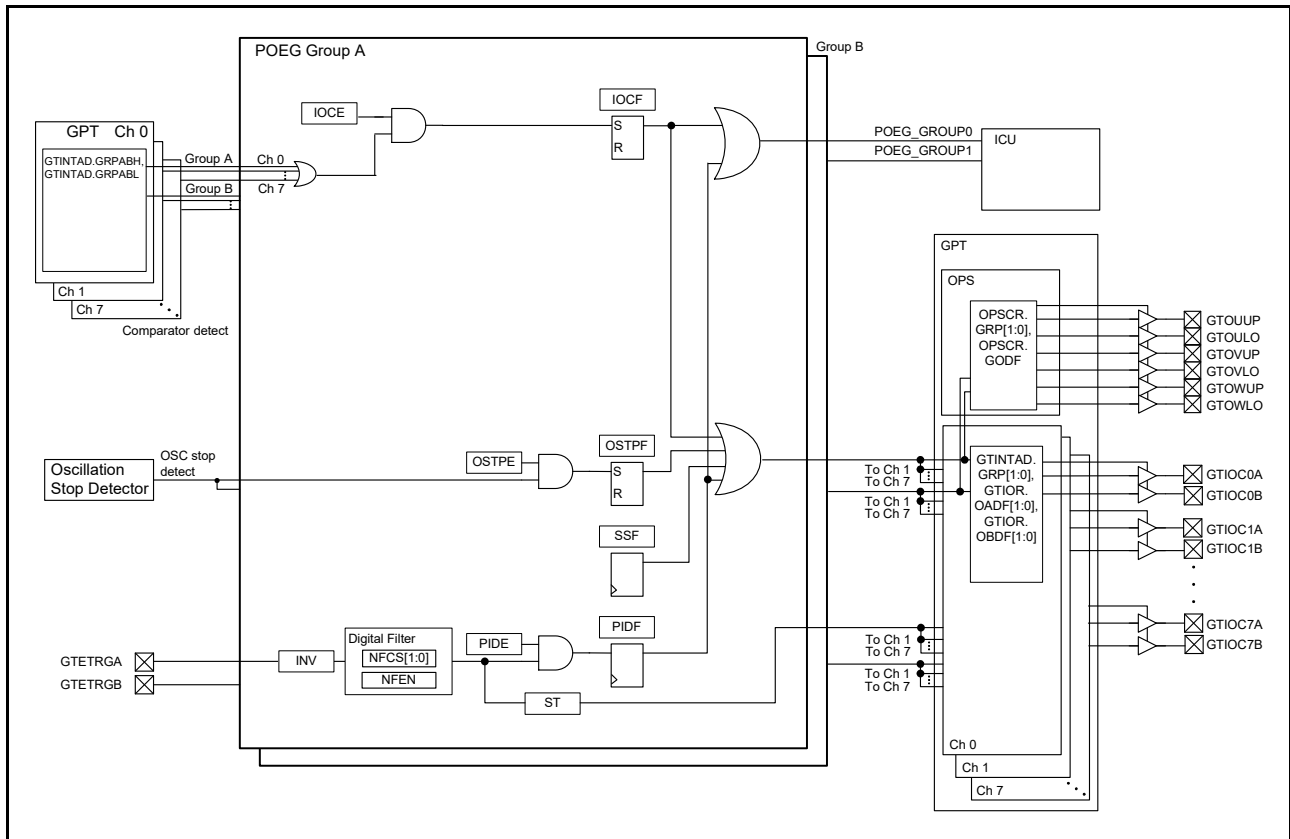


Figure 21.1 POEG block diagram

Table 21.2 POEG input pins

| Pin name | I/O | Description |
|----------|-------|-----------------------------------------------------------------------------------|
| GTETRGA | Input | GPT output pin output-disable request signal and GPT external trigger input pin A |
| GTETRGB | Input | GPT output pin output-disable request signal and GPT external trigger input pin B |

21.2 Register Descriptions

21.2.1 POEG Group n Setting Register (POEGGn) (n = A, B)

Address(es): [POEG.POEGGA 4004 2000h](#), [POEG.POEGGB 4004 2100h](#)

| Bit | Symbol | Bit name | Description | R/W |
|-----|--------|-----------|-------------|-----|
| b31 | | NFCS[1:0] | | |
| b30 | | NFEN | | |
| b29 | | INV | | |
| b28 | | — | | |
| b27 | | — | | |
| b26 | | — | | |
| b25 | | — | | |
| b24 | | — | | |
| b23 | | — | | |
| b22 | | — | | |
| b21 | | — | | |
| b20 | | — | | |
| b19 | | — | | |
| b18 | | — | | |
| b17 | | — | | |
| b16 | | ST | | |
| b15 | | — | | |
| b14 | | — | | |
| b13 | | — | | |
| b12 | | — | | |
| b11 | | — | | |
| b10 | | — | | |
| b9 | | — | | |
| b8 | | — | | |
| b7 | | — | | |
| b6 | | — | | |
| b5 | | — | | |
| b4 | | — | | |
| b3 | | — | | |
| b2 | | — | | |
| b1 | | — | | |
| b0 | | PIDF | | |

| Bit | Symbol | Bit name | Description | R/W |
|-----|--------|---------------------------|------------------------------------------------------------------------------------------------------------------------|---------|
| b0 | PIDF | Port Input Detection Flag | 0: No output-disable request from the GTETRGN pin occurred 1: Output-disable request from the GTETRGN pin occurred. | R/(W)*1 |

| Bit | Symbol | Bit name | Description | R/W |
|------------|-----------|------------------------------------------------|---------------------------------------------------------------------------------------------------------------------------------------------------------------------------------------------------------------------------------------------------------------------------------|---------------------|
| b1 | IOCF | Output Disable Request Detection Flag from GPT | 0: No output-disable request from the GPT disable request occurred 1: Output-disable request from the GPT disable request occurred. | R/(W)* ¹ |
| b2 | OSTPF | Oscillation Stop Detection Flag | 0: No output-disable request from oscillation stop detection occurred 1: Output-disable request from oscillation stop detection occurred. | R/(W)* ¹ |
| b3 | SSF | Software Stop Flag | 0: No output-disable request from software occurred 1: Output-disable request from software occurred. | R/W |
| b4 | PIDE | Port Input Detection Enable | 0: Output-disable request from the GTETRGN pins disabled 1: Output-disable request from the GTETRGN pins enabled. | R/W* ² |
| b5 | IOCE | Output Disable Request Enable from GPT | 0: Output-disable request from the GPT disable request disabled 1: Output-disable request from the GPT disable request enabled. | R/W* ² |
| b6 | OSTPE | Oscillation Stop Detection Enable | 0: Output-disable request from the oscillation stop detection disabled 1: Output-disable request from the oscillation stop detection enabled. | R/W* ² |
| b15 to b7 | — | Reserved | These bits are read as 0. The write value should be 0. | R/W |
| b16 | ST | GTETRGN Input Status Flag | 0: GTETRGN input after filtering is 0 1: GTETRGN input after filtering is 1. | R |
| b27 to b17 | — | Reserved | These bits are read as 0. The write value should be 0. | R/W |
| b28 | INV | GTETRGN Input Reverse | 0: GTETRGN input as-is 1: GTETRGN input reversed. | R/W |
| b29 | NFEN | Noise Filter Enable | 0: Noise filtering disabled 1: Noise filtering enabled. | R/W |
| b31, b30 | NFCS[1:0] | Noise Filter Clock Select | b1 b0 0 0: GTETRGN pin input level sampled three times every PCLKB 0 1: GTETRGN pin input level sampled three times every PCLKB/8 1 0: GTETRGN pin input level sampled three times every PCLKB/32 1 1: GTETRGN pin input level sampled three times every PCLKB/128. | R/W |

Note 1. Only 0 can be written to clear the flag.

Note 2. Can be modified only once after a reset.

The POEGGA to POEGGD registers control the output-disable state of the GPT pins, interrupts, and the external trigger input to GPT. In the descriptions, POEGGn represents all the POEGGA to POEGGD registers.

21.3 Output Disable Control Operation

If any of the following conditions is satisfied, the GTIOCxA, GTIOCxB, and the 3-phase PWM output for BLDC motor control pins can be set to output disable:

- Input level or edge detection of the GTETRGN pins
When POEGGn.PIDE is 1, the POEGGn.PIDF flag is set to 1.
- Output-disable request from the GPT
When POEGGn.IOCE is 1, the POEGGn.IOCF flag is set to 1 if the disable request enabled in the GTINTAD.GRPABH or GTINTAD.GRPABL applies to the group selected in the GPT registers GTINTAD.GRP[1:0] and OPSCR.GRP[1:0].
- Oscillation stop detection for the clock generation circuit
When POEGGn.OSTPE is 1, the POEGGn.OSTPF flag is set to 1.
- SSF bit setting
When POEGGn.SSF is set to 1, the PWM output is disabled.

The output-disable state is controlled in the GPT. The output disable of the GTIOCxA and GTIOCxB pins is set to the GTINTAD.GRP[1:0], GTIOR.OADF[1:0], and GTIOR.OBDF[1:0] bits in the GPT. The output disable of the 3-phase PWM output for the BLDC motor control pins is set to the OPSCR.GRP[1:0] and OPSCR.GODF bits in GPT_OPS.

21.3.1 Pin Input Level Detection Operation

If the input conditions set by POEGGn.PIDE, POEGGn.NFCS[1:0], POEGGn.NFEN and POEGGn.INV occur on the GTETRn pins, the GPT output pins are output-disabled.

21.3.1.1 Digital filter

Figure 21.2 shows high level detection by the digital filter. When a high level associated with the POEGGn.INV polarity setting is detected three times consecutively with the sampling clock selected in POEGGn.NFCS[1:0] and POEGGn.NFEN, the detected level is recognized as high, and the GPT output pins are output-disabled. If even one low level is detected during this interval, the detected level is not recognized as high. In addition, in an interval where the sampling clock is not being output, changes of the levels on the GTETRn pins are ignored.

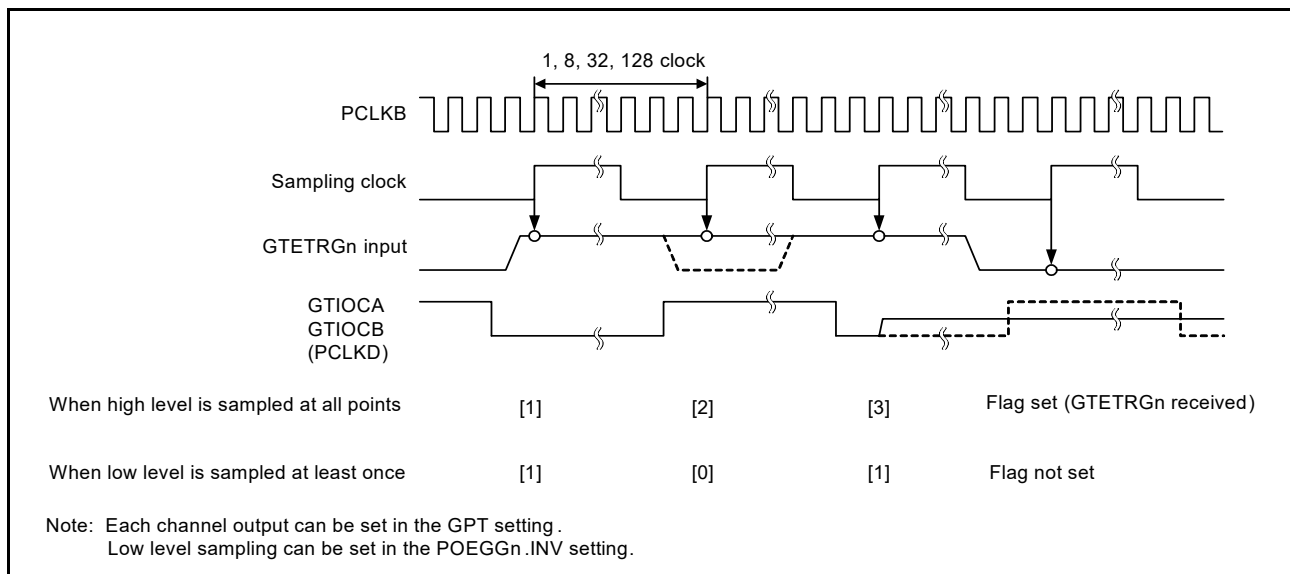


Figure 21.2 Example of digital filter operation

21.3.2 Output-Disable Request from GPT

For details on the operation, see [section 22, GTIOC Pin Output Negate Control](#).

21.3.3 Output-Disable Control on Detection of Stopped Oscillation

When the oscillation stop detection function in the clock generation circuit detects stopped oscillation while POEGGn.OSTPE is 1, the GPT output pins are output-disabled for each group.

21.3.4 Output-Disable Control Using Registers

The GPT output pins can be directly controlled by writing to the Software Stop flag, POEGGn.SSF.

21.3.5 Release from Output Disable

To release the GPT output pins in the output-disable state, either return them to their initial state with a reset or clear all of the following flags:

- POEGGn.PIDF
- POEGGn.IOCF
- POEGGn.OSTPF
- POEGGn.SSF.

Writing 0 to the POEGGn.PIDF flag is ignored (the flag is not cleared) if the external input pins GTETRn, are not disabled and the POEGGn.ST bit is not set to 0.

Writing 0 to the POEGGn.IOCF flag is valid (the flag is cleared) only if all of the GTST.OABHF and GTST.OABLF

flags in GPT are set to 0.

Writing 0 to the POEGn.OSTPF flag is ignored (the flag is not cleared) if the OSTDSR.OSTDF flag in the clock generation circuit is not set to 0. In addition, when the flag set and release occur at the same time, the flag set takes precedence.

Figure 21.3 shows the released timing for output disable. The output disable is released at the beginning of the next count cycle of the GPT after the flag is cleared.

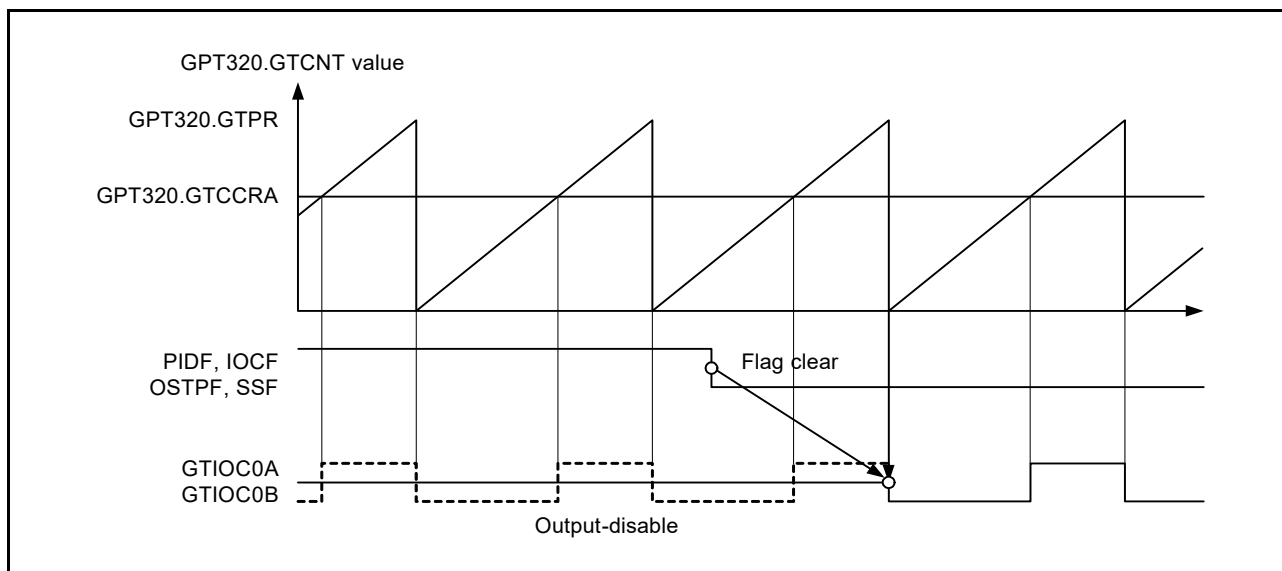


Figure 21.3 Output-disable release timing for the GPT pin outputs

21.4 Interrupt Sources

The POEG generates an interrupt request when triggered by these sources:

- Output-disable control by the input level detection
- Output-disable request from the GPT

Table 21.3 lists the conditions for interrupt requests.

Table 21.3 Interrupt sources and conditions

| Interrupt source | Symbol | Associated flag | Trigger conditions |
|------------------------|-------------|-----------------|---------------------------------------------------------------|
| POEG Group A interrupt | POEG_GROUP0 | POEGGA.IOCF | An output-disable request from a GPT disable request occurred |
| | | POEGGA.PIDF | An output-disable request from the GTETRGA pin occurred |
| POEG Group B interrupt | POEG_GROUP1 | POEGGB.IOCF | An output-disable request from a GPT disable request occurred |
| | | POEGGB.PIDF | An output-disable request from the GTETRGB pin occurred |

21.5 External Trigger Output to GPT

The POEG outputs the GTETRn signals as the GPT operation trigger signal for the following:

- Count start
- Count stop
- Count clear
- Up-count

- Down-count
- Input capture.

For the POEGG.INV polarity setting signal, when the same level is input three times continuously with the sampling clock selected in the POEGGn.NFCS[1:0] and POEGGn.NFEN bits, that value is output. Set the control registers the same as for the input level detection operation described in [section 21.3.1, Pin Input Level Detection Operation](#). The state after filtering can be monitored in POEGGn.ST.

Figure 21.4 shows the output timing of an external trigger to the GPT.

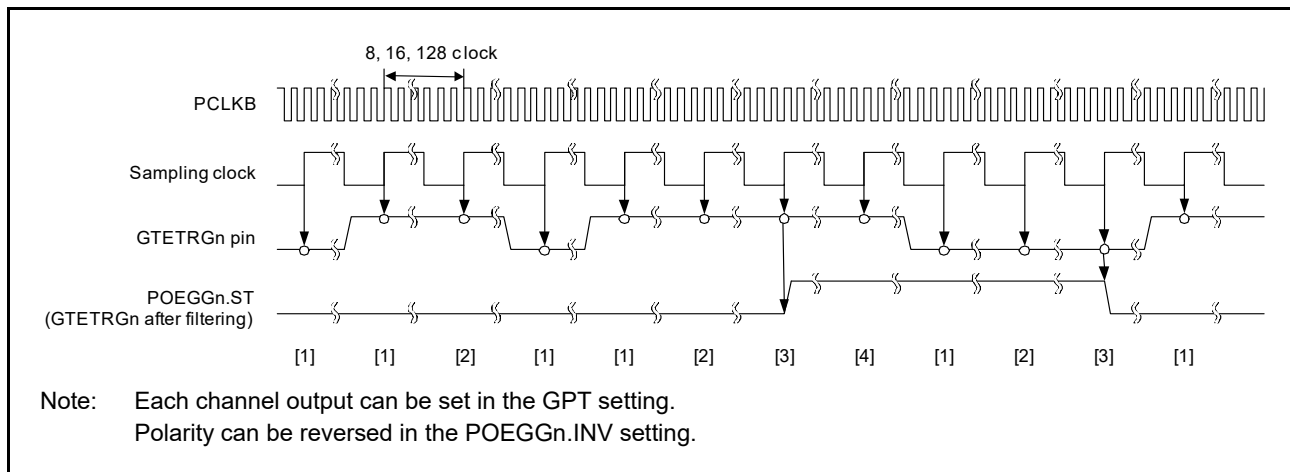


Figure 21.4 Output timing of external trigger to GPT

21.6 Usage Notes

21.6.1 Transition to Software Standby Mode

When using the POEG, do not invoke Software Standby mode. In this mode, the POEG stops and therefore output-disable of the pins cannot be controlled.

21.6.2 Specifying Pins Associated with the GPT

The POEG controls output disable only when a pin is associated with the GPT in the PmnPFS.PMR and PmnPFS.PSEL settings. When the pin is specified as a general I/O pin, the POEG does not perform output-disable control.

22. General PWM Timer (GPT)

22.1 Overview

The General PWM Timer (GPT) is a 32-bit timer with two GPT32 channels, and a 16-bit timer with six GPT16 channels. PWM waveforms can be generated by controlling the up-counter, down-counter, or the up- and down-counter. In addition, PWM waveforms can be generated for controlling brushless DC motors. The GPT can also be used as a general-purpose timer.

Table 22.1 lists the GPT specifications, Table 22.2 shows the GPT functions, Figure 22.1 shows the block diagram, Figure 22.2 shows the correspondence between the GPT channels and module names, and Table 22.3 lists the I/O pins.

Table 22.1 GPT specifications

| Parameter | Description |
|-----------|---------------------------------------------------------------------------------------------------------------------------------------------------------------------------------------------------------------------------------------------------------------------------------------------------------------------------------------------------------------------------------------------------------------------------------------------------------------------------------------------------------------------------------------------------------------------------------------------------------------------------------------------------------------------------------------------------------------------------------------------------------------------------------------------------------------------------------------------------------------------------------------------------------------------------------------------------------------------------------------------------------------------------------------------------------------------------------------------------------------------------------------------------------------------------------------------------------------------------------------------------------------------------------------------------------------------------------------------------------------------------------------------------------------------------------------------------------------------------------------------------------------------------------------------------------------------------------------------------------------------------------------------------------------------------------------------------------------------------------------------------------------------------------------------------------------------------------------------------------------------------------|
| Functions | <ul style="list-style-type: none"> • 32 bits × 2 channels • 16 bits × 6 channels • Up-counting or down-counting (saw waves) or up/down-counting (triangle waves) for each counter • Clock sources independently selectable for each channel • Two input/output pins per channel • Two output compare/input capture registers per channel • For the two output compare/input capture registers of each channel, four registers are provided as buffer registers and are capable of operating as comparison registers when buffering is not in use. • In output compare operation, buffer switching can be at crests or troughs, enabling the generation of laterally asymmetric PWM waveforms • Registers for setting up frame cycles in each channel with capability for generating interrupts at overflow or underflow • Generation of dead times in PWM operation • Synchronous starting, stopping and clearing counters for arbitrary channels • Starting, stopping, clearing and up/down counters in response to a maximum of eight ELC events • Starting, stopping, clearing and up/down counters in response to input level comparison • Starting, clearing, stopping and up/down counters in response to a maximum of four external triggers • Output pin disable function by detected short-circuits between output pins • PWM waveform for controlling brushless DC motors can be generated • Compare match A to F event, overflow/underflow event and input UVW edge event can be output to the ELC • Enables the noise filter for input capture and input UVW • Bus clock: PCLKA • Core clock: PCLKD • Frequency ratio: PCLKA:PCLKD = 1:N (N = 1/2/4/8/16/32/64). |

Table 22.2 Functions of GPT

| Parameter | GPT32, GPT16 | |
|------------------------------------------------|------------------------------------------------------------------------------------------------------------------------------------------------------------------------------------------------------------------------------------------------------------------------------------------------------------------------------------------------------------------------------------------------------------------------------------------------------------------------------|-----------|
| Count clock | PCLKD PCLKD/4 PCLKD/16 PCLKD/64 PCLKD/256 PCLKD/1024 | |
| Output compare/input capture registers (GTCCR) | GTCCRA GTCCRB | |
| Compare/buffer registers | GTCCRC GTCCRD GTCCRE GTCCRF | |
| Cycle setting register | GTPR | |
| Cycle setting buffer registers | GTPBR | |
| I/O pins | GTIOCA GTIOCB | |
| External trigger input pin *1 | GTETRGA GTETRGB | |
| Counter clear sources | GTPR register compare match, input capture, input pin status, ELC event input, and GTETRn pin input | |
| Compare match output | Low output | Available |
| | High output | Available |
| | Toggle output | Available |
| Input capture function | Available | |
| Automatic addition of dead time | Available (no dead time buffer) | |
| PWM mode | Available | |
| Phase count function | Available | |
| Buffer operation | Double buffer | |
| One-shot operation | Available | |
| DTC activation | All the interrupt sources | |
| Brushless DC motor control function | Available | |
| Interrupt sources | 8 sources: <ul style="list-style-type: none"> • GTCCRA compare match/input capture (GPTn_CCMPA) • GTCCRB compare match/input capture (GPTn_CCMPB) • GTCCRC compare match (GPTn_CMPC) • GTCCRD compare match (GPTn_CMPD) • GTCCRE compare match (GPTn_CMPE) • GTCCRF compare match (GPTn_CMPF) • GTCNT overflow (GTPR compare match) (GPTn_OVF) • GTCNT underflow (GPTn_UDF). Note: n = 0 to 7. | |
| Event linking (ELC) function | Available | |
| Noise filtering function | Available | |

Note 1. GTRETRn connects to GPT through the POEG module. Therefore, to use the GPT function, supply the POEG clock by clearing the MSTPD14 bit.

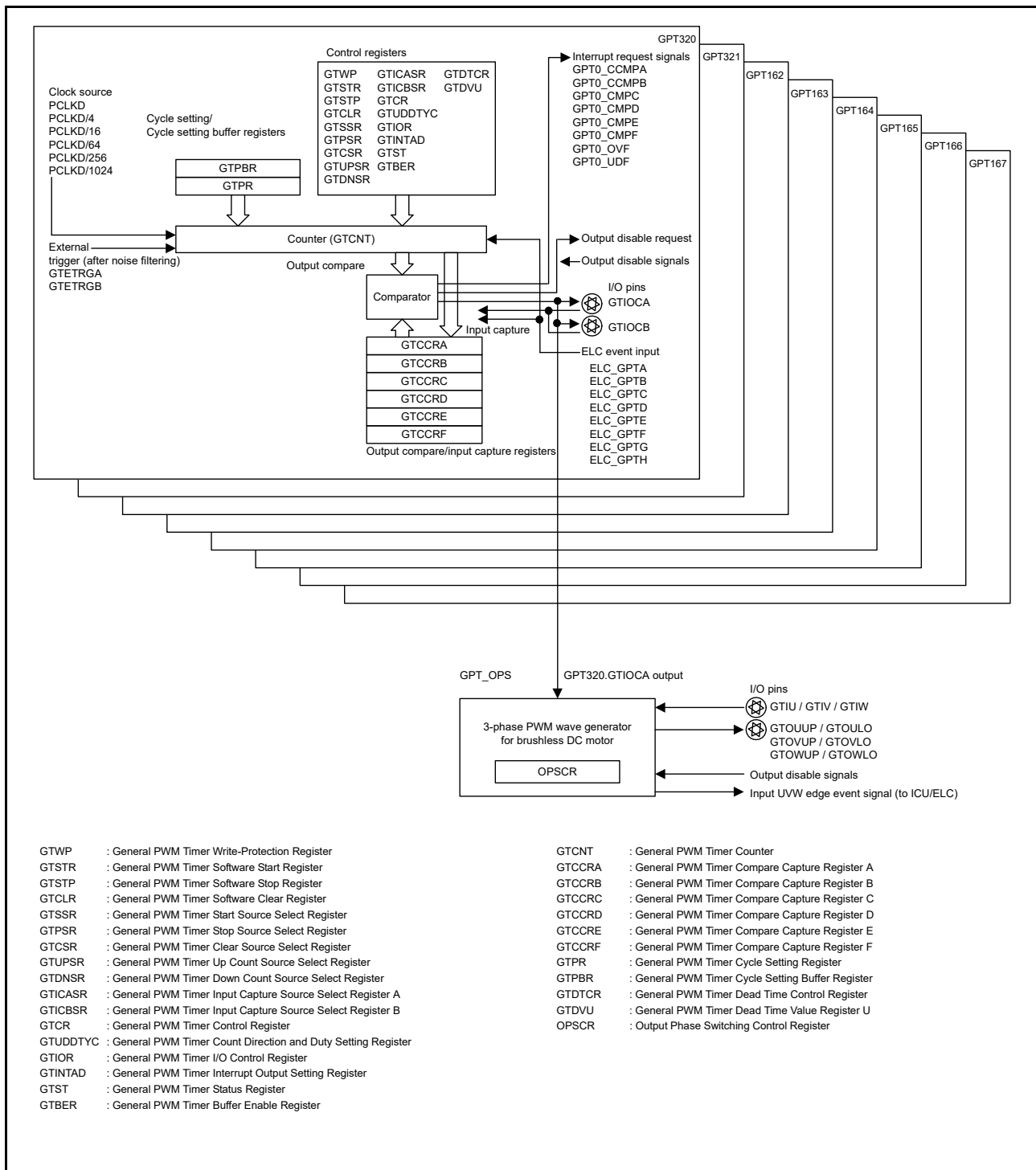


Figure 22.1 GPT block diagram

Figure 22.2 shows an example using multiple GPTs.

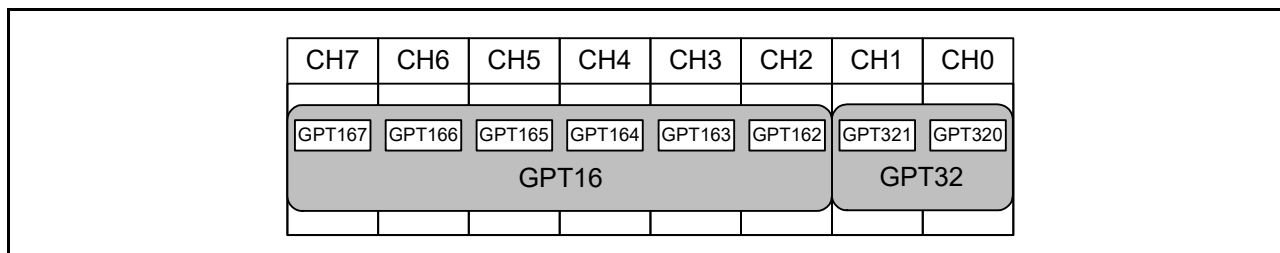


Figure 22.2 Association between GPT channels and module names

Table 22.3 lists the I/O pins used in the GPT.

Table 22.3 I/O pins of GPT

| Channel | Pin name | I/O | Function |
|---------|----------|--------------------------------------------------------------|--------------------------------------------------------------------------|
| Common | GTETRGA | Input | External trigger input pin A (after noise filtering) |
| | GTETRGB | Input | External trigger input pin B (after noise filtering) |
| GPT320 | GTIOC0A | I/O | GTCCRA register input capture input/output compare output/PWM output pin |
| | GTIOC0B | I/O | GTCCRB register input capture input/output compare output/PWM output pin |
| GPT321 | GTIOC1A | I/O | GTCCRA register input capture input/output compare output/PWM output pin |
| | GTIOC1B | I/O | GTCCRB register input capture input/output compare output/PWM output pin |
| GPT162 | GTIOC2A | I/O | GTCCRA register input capture input/output compare output/PWM output pin |
| | GTIOC2B | I/O | GTCCRB register input capture input/output compare output/PWM output pin |
| GPT163 | GTIOC3A | I/O | GTCCRA register input capture input/output compare output/PWM output pin |
| | GTIOC3B | I/O | GTCCRB register input capture input/output compare output/PWM output pin |
| GPT164 | GTIOC4A | I/O | GTCCRA register input capture input/output compare output/PWM output pin |
| | GTIOC4B | I/O | GTCCRB register input capture input/output compare output/PWM output pin |
| GPT165 | GTIOC5A | I/O | GTCCRA register input capture input/output compare output/PWM output pin |
| | GTIOC5B | I/O | GTCCRB register input capture input/output compare output/PWM output pin |
| GPT166 | GTIOC6A | I/O | GTCCRA register input capture input/output compare output/PWM output pin |
| | GTIOC6B | I/O | GTCCRB register input capture input/output compare output/PWM output pin |
| GPT167 | GTIOC7A | I/O | GTCCRA register input capture input/output compare output/PWM output pin |
| | GTIOC7B | I/O | GTCCRB register input capture input/output compare output/PWM output pin |
| GPT OPS | GTIU | Input | Hall sensor input pin U |
| | GTIV | Input | Hall sensor input pin V |
| | GTIW | Input | Hall sensor input pin W |
| | GTOUUP | Output | 3-phase PWM output for BLDC motor control (positive U-phase) |
| | GTOULO | Output | 3-phase PWM output for BLDC motor control (negative U-phase) |
| | GTOVUP | Output | 3-phase PWM output for BLDC motor control (positive V-phase) |
| | GTOVLO | Output | 3-phase PWM output for BLDC motor control (negative V-phase) |
| | GTOVUP | Output | 3-phase PWM output for BLDC motor control (positive W-phase) |
| GTOVLO | Output | 3-phase PWM output for BLDC motor control (negative W-phase) | |

22.2 Register Descriptions

Table 22.4 lists the registers in the GPT.

Table 22.4 GPT registers

| Module symbol | Register name | Register symbol | Reset value | Address | Access size |
|-------------------------------------------------|-------------------------------------------------------------|-----------------|------------------------|------------------------|-------------|
| GPT32m*1 GPT16m*2 | General PWM Timer Write Protection Register | GTWP | 00000000h | 4007 8000h + 0100h × m | 32 |
| | General PWM Timer Software Start Register | GTSTR | 00000000h | 4007 8004h + 0100h × m | 32 |
| | General PWM Timer Software Stop Register | GTSTP | FFFFFFFFh | 4007 8008h + 0100h × m | 32 |
| | General PWM Timer Software Clear Register | GTCLR | 00000000h | 4007 800Ch + 0100h × m | 32 |
| | General PWM Timer Start Source Select Register | GTSSR | 00000000h | 4007 8010h + 0100h × m | 32 |
| | General PWM Timer Stop Source Select Register | GTPSR | 00000000h | 4007 8014h + 0100h × m | 32 |
| | General PWM Timer Clear Source Select Register | GTCSR | 00000000h | 4007 8018h + 0100h × m | 32 |
| | General PWM Timer Up Count Source Select Register | GTUPSR | 00000000h | 4007 801Ch + 0100h × m | 32 |
| | General PWM Timer Down Count Source Select Register | GTDNSR | 00000000h | 4007 8020h + 0100h × m | 32 |
| | General PWM Timer Input Capture Source Select Register A | GTICASR | 00000000h | 4007 8024h + 0100h × m | 32 |
| | General PWM Timer Input Capture Source Select Register B | GTICBSR | 00000000h | 4007 8028h + 0100h × m | 32 |
| | General PWM Timer Control Register | GTCR | 00000000h | 4007 802Ch + 0100h × m | 32 |
| | General PWM Timer Count Direction and Duty Setting Register | GTUDDTYC | 00000001h | 4007 8030h + 0100h × m | 32 |
| | General PWM Timer I/O Control Register | GTIOR | 00000000h | 4007 8034h + 0100h × m | 32 |
| | General PWM Timer Interrupt Output Setting Register | GTINTAD | 00000000h | 4007 8038h + 0100h × m | 32 |
| | General PWM Timer Status Register | GTST | 00008000h | 4007 803Ch + 0100h × m | 32 |
| | General PWM Timer Buffer Enable Register | GTBER | 00000000h | 4007 8040h + 0100h × m | 32 |
| | General PWM Timer Counter | GTCNT | 00000000h | 4007 8048h + 0100h × m | 32 |
| | General PWM Timer Compare Capture Register A | GTCCRA | FFFFFFFFh*3 | 4007 804Ch + 0100h × m | 32 |
| | General PWM Timer Compare Capture Register B | GTCCRB | FFFFFFFFh*3 | 4007 8050h + 0100h × m | 32 |
| | General PWM Timer Compare Capture Register C | GTCCRC | FFFFFFFFh*3 | 4007 8054h + 0100h × m | 32 |
| | General PWM Timer Compare Capture Register E | GTCCRE | FFFFFFFFh*3 | 4007 8058h + 0100h × m | 32 |
| | General PWM Timer Compare Capture Register D | GTCCRD | FFFFFFFFh*3 | 4007 805Ch + 0100h × m | 32 |
| General PWM Timer Compare Capture Register F | GTCCRF | FFFFFFFFh*3 | 4007 8060h + 0100h × m | 32 | |
| General PWM Timer Cycle Setting Register | GTPR | FFFFFFFFh*3 | 4007 8064h + 0100h × m | 32 | |
| General PWM Timer Cycle Setting Buffer Register | GTPBR | FFFFFFFFh*3 | 4007 8068h + 0100h × m | 32 | |
| General PWM Timer Dead Time Control Register | GTDTCR | 00000000h | 4007 8088h + 0100h × m | 32 | |
| General PWM Timer Dead Time Value Register U | GTDVU | FFFFFFFFh*3 | 4007 808Ch + 0100h × m | 32 | |
| GPT_OPS | Output Phase Switching Control Register | OPSCR | 00000000h | 4007 8FF0h | 32 |

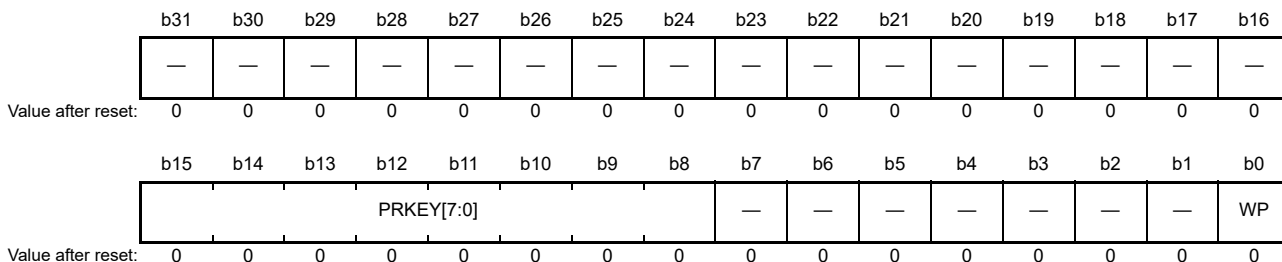
Note 1. GPT32m (m = 0 to 1)

Note 2. GPT16m (m = 2 to 7)

Note 3. The reset value of GPT16m is 0000FFFFh.

22.2.1 General PWM Timer Write-Protection Register (GTWP)

Address(es): GPT32m.GTWP 4007 8000h + 0100h × m (m = 0 to 1),
 GPT16m.GTWP 4007 8000h + 0100h × m (m = 2 to 7)



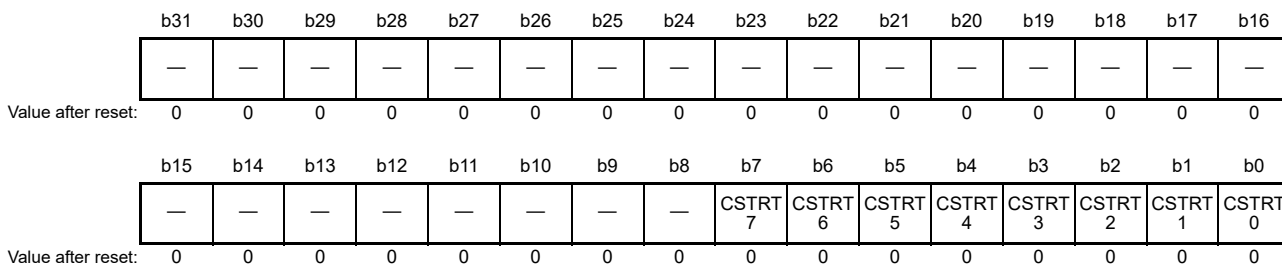
| Bit | Symbol | Bit name | Description | R/W |
|------------|------------|------------------------|---------------------------------------------------------------------------------------------------|-----|
| b0 | WP | Register Write Disable | 0: Write to the register enabled 1: Write to the register disabled. | R/W |
| b7 to b1 | — | Reserved | These bits are read as 0. The write value should be 0. | R/W |
| b15 to b8 | PRKEY[7:0] | GTWP Key Code | When A5h is written to these bits, writing to the WP bits is permitted. These bits are read as 0. | R/W |
| b31 to b16 | — | Reserved | These bits are read as 0. The write value should be 0. | R/W |

To prevent accidental modification, the GTWP enables or disables writing to registers. The following is a list of write enabled or disabled registers:

GTSSR, GTPSR, GTCR, GTUPSR, GTDNSR, GTICASR, GTICBSR, GTCR, GTUDDTYC, GTIOR, GTINTAD, GTST, GTBER, GTCNT, GTCCRA, GTCCRB, GTCCRC, GTCCRD, GTCCRE, GTCCRF, GTPR, GTPBR, GTDTCR, GTDVU.

22.2.2 General PWM Timer Software Start Register (GTSTR)

Address(es): GPT32m.GTSTR 4007 8004h + 0100h × m (m = 0 to 1),
 GPT16m.GTSTR 4007 8004h + 0100h × m (m = 2 to 7)



The GTSTR starts the GTCNT counter operation for each channel n, where n = 0 to 7.

The GTSTR bit number represents the channel number. The GTSTR register is shared by all of the channels. The GTCNT counter starts for the channel associated with the GTSTR bit number where 1 is written. Writing 0 has no effect on the status of GTCNT counter and the value of GTSTR register.

For the association between GTSTR bit number and a channel number, see [Figure 22.2](#).

CSTRT[7:0] bits (Channel n GTCNT Count Start) (n = 0 to 7)

The CSTRT[7:0] bits start channel n of the GTCNT counter operation. Writing to GTSTR.CSTRTn bit (n = 0 to 7) has no effect unless GPTm.GTSSR.CSTRTn bit is set to 1 (m = 320 to 321, 162 to 167).

The read data shows the counter status of each channel (GTCR.CST bit). Zero means the counter is stopped and 1 means the counter is running.

22.2.3 General PWM Timer Software Stop Register (GTSTP)

Address(es): GPT32m.GTSTP 4007 8008h + 0100h × m (m = 0 to 1),
GPT16m.GTSTP 4007 8008h + 0100h × m (m = 2 to 7)

| | b31 | b30 | b29 | b28 | b27 | b26 | b25 | b24 | b23 | b22 | b21 | b20 | b19 | b18 | b17 | b16 |
|--------------------|-----|-----|-----|-----|-----|-----|-----|-----|--------------------|--------------------|--------------------|--------------------|--------------------|--------------------|--------------------|--------------------|
| | — | — | — | — | — | — | — | — | — | — | — | — | — | — | — | — |
| Value after reset: | 1 | 1 | 1 | 1 | 1 | 1 | 1 | 1 | 1 | 1 | 1 | 1 | 1 | 1 | 1 | 1 |
| | b15 | b14 | b13 | b12 | b11 | b10 | b9 | b8 | b7 | b6 | b5 | b4 | b3 | b2 | b1 | b0 |
| | — | — | — | — | — | — | — | — | CSTOP ₇ | CSTOP ₆ | CSTOP ₅ | CSTOP ₄ | CSTOP ₃ | CSTOP ₂ | CSTOP ₁ | CSTOP ₀ |
| Value after reset: | 1 | 1 | 1 | 1 | 1 | 1 | 1 | 1 | 1 | 1 | 1 | 1 | 1 | 1 | 1 | 1 |

The GTSTP stops the GTCNT counter operation for each channel n, where n = 0 to 7.

The GTSTP bit number represents the channel number. Each channel of the GTSTP register is shared by all of the channels. The GTCNT counter stops for the channel associated with the GTSTP bit number where 1 is written. Writing 0 has no effect on the status of GTCNT counter and the value of GTSTP register.

For the association between GTSTP bit number and a channel number, see [Figure 22.2](#).

CSTOP[7:0] bits (Channel n GTCNT Count Stop) (n = 0 to 7)

The CSTOP[7:0] bits stop channel n of the GTCNT counter operation. Writing to GTSTP.CSTOPn bit (n = 0 to 7) has no effect unless the GPTm.GTPSR.CSTOPn bit is set to 1 (m = 320 to 321, 162 to 167). The read data shows the counter status of each channel (invert of GTCR.CST bit). Zero means the counter is running and 1 means the counter stops.

22.2.4 General PWM Timer Software Clear Register (GTCLR)

Address(es): GPT32m.GTCLR 4007 800Ch + 0100h × m (m = 0 to 1),
GPT16m.GTCLR 4007 800Ch + 0100h × m (m = 2 to 7)

| | b31 | b30 | b29 | b28 | b27 | b26 | b25 | b24 | b23 | b22 | b21 | b20 | b19 | b18 | b17 | b16 |
|--------------------|-----|-----|-----|-----|-----|-----|-----|-----|-------------------|-------------------|-------------------|-------------------|-------------------|-------------------|-------------------|-------------------|
| | — | — | — | — | — | — | — | — | — | — | — | — | — | — | — | — |
| Value after reset: | 0 | 0 | 0 | 0 | 0 | 0 | 0 | 0 | 0 | 0 | 0 | 0 | 0 | 0 | 0 | 0 |
| | b15 | b14 | b13 | b12 | b11 | b10 | b9 | b8 | b7 | b6 | b5 | b4 | b3 | b2 | b1 | b0 |
| | — | — | — | — | — | — | — | — | CCLR ₇ | CCLR ₆ | CCLR ₅ | CCLR ₄ | CCLR ₃ | CCLR ₂ | CCLR ₁ | CCLR ₀ |
| Value after reset: | 0 | 0 | 0 | 0 | 0 | 0 | 0 | 0 | 0 | 0 | 0 | 0 | 0 | 0 | 0 | 0 |

GTCLR is a write-only register that clears the GTCNT counter operation for each channel n (n = 0 to 7).

The GTCLR bit number represents the channel number. Each channel of the GTCLR register is shared by all of the channels. The GTCNT counter is cleared for the channel associated with the GTCLR bit number where 1 is written. Writing 0 has no effect on the status of the GTCNT counter. For the association between the GTCLR bit number and a channel number, see [Figure 22.2](#).

CCLR[7:0] bits (Channel n GTCNT Count Clear) (n = 0 to 7)

Channel n of the GTCNT counter value is cleared on writing 1 to this bit. This bit is read as 0.

22.2.5 General PWM Timer Start Source Select Register (GTSSR)

Address(es): GPT32m.GTSSR 4007 8010h + 0100h × m (m = 0 to 1),
GPT16m.GTSSR 4007 8010h + 0100h × m (m = 2 to 7)

| | | | | | | | | | | | | | | | | |
|--------------------|-------------|-------------|-------------|-------------|-------------|-------------|-------------|-------------|------------|------------|------------|------------|--------------|--------------|--------------|--------------|
| | b31 | b30 | b29 | b28 | b27 | b26 | b25 | b24 | b23 | b22 | b21 | b20 | b19 | b18 | b17 | b16 |
| | CSTRT | — | — | — | — | — | — | — | SSELC H | SSELC G | SSELC F | SSELC E | SSELC D | SSELC C | SSELC B | SSELC A |
| Value after reset: | 0 | 0 | 0 | 0 | 0 | 0 | 0 | 0 | 0 | 0 | 0 | 0 | 0 | 0 | 0 | 0 |
| | b15 | b14 | b13 | b12 | b11 | b10 | b9 | b8 | b7 | b6 | b5 | b4 | b3 | b2 | b1 | b0 |
| | SSCBF AH | SSCBF AL | SSCBR AH | SSCBR AL | SSCAF BH | SSCAF BL | SSCAR BH | SSCAR BL | — | — | — | — | SSGTR GBF | SSGTR GBR | SSGTR GAF | SSGTR GAR |
| Value after reset: | 0 | 0 | 0 | 0 | 0 | 0 | 0 | 0 | 0 | 0 | 0 | 0 | 0 | 0 | 0 | 0 |

| Bit | Symbol | Bit name | Description | R/W |
|----------|--------------------------|-------------------------------------------------------------------------------|------------------------------------------------------------------------------------------------------------------------------------------------------------------------------|-----|
| b0 | SSGTRGAR | GTETRGA Pin Rising Input Source Counter Start Enable | 0: Counter start disabled on the rising edge of GTETRGA input 1: Counter start enabled on the rising edge of GTETRGA input. | R/W |
| b1 | SSGTRGAF | GTETRGA Pin Falling Input Source Counter Start Enable | 0: Counter start disabled on the falling edge of GTETRGA input 1: Counter start enabled on the falling edge of GTETRGA input. | R/W |
| b2 | SSGTRGBR | GTETRGB Pin Rising Input Source Counter Start Enable | 0: Counter start disabled on the rising edge of GTETRGB input 1: Counter start enabled on the rising edge of GTETRGB input. | R/W |
| b3 | SSGTRGBF | GTETRGB Pin Falling Input Source Counter Start Enable | 0: Counter start disabled on the falling edge of GTETRGB input 1: Counter start enabled on the falling edge of GTETRGB input. | R/W |
| b7 to b4 | — | Reserved | These bits are read as 0. The write value should be 0. | R/W |
| b8 | SSCARBL | GTIOCA Pin Rising Input during GTIOCB Value Low Source Counter Start Enable | 0: Counter start disabled on the rising edge of GTIOCA input when GTIOCB input is 0 1: Counter start enabled on the rising edge of GTIOCA input when GTIOCB input is 0. | R/W |
| b9 | SSCARBH | GTIOCA Pin Rising Input during GTIOCB Value High Source Counter Start Enable | 0: Counter start disabled on the rising edge of GTIOCA input when GTIOCB input is 1 1: Counter start enabled on the rising edge of GTIOCA input when GTIOCB input is 1. | R/W |
| b10 | SSCAFBL | GTIOCA Pin Falling Input during GTIOCB Value Low Source Counter Start Enable | 0: Counter start disabled on the falling edge of GTIOCA input when GTIOCB input is 0 1: Counter start enabled on the falling edge of GTIOCA input when GTIOCB input is 0. | R/W |
| b11 | SSCAFBH | GTIOCA Pin Falling Input during GTIOCB Value High Source Counter Start Enable | 0: Counter start disabled on the falling edge of GTIOCA input when GTIOCB input is 1 1: Counter start enabled on the falling edge of GTIOCA input when GTIOCB input is 1. | R/W |
| b12 | SSCBRAL | GTIOCB Pin Rising Input during GTIOCA Value Low Source Counter Start Enable | 0: Counter start disabled on the rising edge of GTIOCB input when GTIOCA input is 0 1: Counter start enabled on the rising edge of GTIOCB input when GTIOCA input is 0. | R/W |
| b13 | SSCBRAH | GTIOCB Pin Rising Input during GTIOCA Value High Source Counter Start Enable | 0: Counter start disabled on the rising edge of GTIOCB input when GTIOCA input is 1 1: Counter start enabled on the rising edge of GTIOCB input when GTIOCA input is 1. | R/W |

| Bit | Symbol | Bit name | Description | R/W |
|------------|---------|-------------------------------------------------------------------------------|------------------------------------------------------------------------------------------------------------------------------------------------------------------------------|-----|
| b14 | SSCBFAL | GTIOCB Pin Falling Input during GTIOCA Value Low Source Counter Start Enable | 0: Counter start disabled on the falling edge of GTIOCB input when GTIOCA input is 0 1: Counter start enabled on the falling edge of GTIOCB input when GTIOCA input is 0. | R/W |
| b15 | SSCBFAH | GTIOCB Pin Falling Input during GTIOCA Value High Source Counter Start Enable | 0: Counter start disabled on the falling edge of GTIOCB input when GTIOCA input is 1 1: Counter start enabled on the falling edge of GTIOCB input when GTIOCA input is 1. | R/W |
| b16 | SSELCA | ELC_GPTA Event Source Counter Start Enable | 0: Counter start disabled at the ELC_GPTA event input 1: Counter start enabled at the ELC_GPTA event input. | R/W |
| b17 | SSELCB | ELC_GPTB Event Source Counter Start Enable | 0: Counter start disabled at the ELC_GPTB event input 1: Counter start enabled at the ELC_GPTB event input. | R/W |
| b18 | SSELCC | ELC_GPTC Event Source Counter Start Enable | 0: Counter start disabled at the ELC_GPTC event input 1: Counter start enabled at the ELC_GPTC event input. | R/W |
| b19 | SSELCD | ELC_GPTD Event Source Counter Start Enable | 0: Counter start disabled at the ELC_GPTD event input 1: Counter start enabled at the ELC_GPTD event input. | R/W |
| b20 | SSELCE | ELC_GPTE Event Source Counter Start Enable | 0: Counter start disabled at the ELC_GPTE event input 1: Counter start enabled at the ELC_GPTE event input. | R/W |
| b21 | SSELCF | ELC_GPTF Event Source Counter Start Enable | 0: Counter start disabled at the ELC_GPTF event input 1: Counter start enabled at the ELC_GPTF event input. | R/W |
| b22 | SSELCG | ELC_GPTG Event Source Counter Start Enable | 0: Counter start disabled at the ELC_GPTG event input 1: Counter start enabled at the ELC_GPTG event input. | R/W |
| b23 | SSELCH | ELC_GPTH Event Source Counter Start Enable | 0: Counter start disabled at the ELC_GPTH event input 1: Counter start enabled at the ELC_GPTH event input. | R/W |
| b30 to b24 | — | Reserved | These bits are read as 0. The write value should be 0. | R/W |
| b31 | CSTRT | Software Source Counter Start Enable | 0: Counter start disabled by the GTSTR register 1: Counter start enabled by the GTSTR register. | R/W |

The GTSSR sets the source to start the GTCNT counter.

SSGTRGAR bit (GTETRGA Pin Rising Input Source Counter Start Enable)

The SSGTRGAR bit enables or disables the GTCNT counter start on the rising edge of GTETRGA pin input.

SSGTRGAF bit (GTETRGA Pin Falling Input Source Counter Start Enable)

The SSGTRGAF bit enables or disables the GTCNT counter start on the falling edge of GTETRGA pin input.

SSGTRGBR bit (GTETRGB Pin Rising Input Source Counter Start Enable)

The SSGTRGBR bit enables or disables the GTCNT counter start on the rising edge of GTETRGB pin input.

SSGTRGBF bit (GTETRGB Pin Falling Input Source Counter Start Enable)

The SSGTRGBF bit enables or disables the GTCNT counter start on the falling edge of GTETRGB pin input.

SSCARBL bit (GTIOCA Pin Rising Input during GTIOCB Value Low Source Counter Start Enable)

The SSCARBL bit enables or disables the GTCNT counter start on the rising edge of GTIOCA pin input, when GTIOCB input is 0.

SSCARBH bit (GTIOCA Pin Rising Input during GTIOCB Value High Source Counter Start Enable)

The SSCARBH bit enables or disables the GTCNT counter start on the rising edge of GTIOCA pin input, when GTIOCB input is 1.

SSCAFBL bit (GTIOCA Pin Falling Input during GTIOCB Value Low Source Counter Start Enable)

The SSCAFBL bit enables or disables the GTCNT counter start on the falling edge of GTIOCA pin input, when GTIOCB input is 0.

SSCAFBH bit (GTIOCA Pin Falling Input during GTIOCB Value High Source Counter Start Enable)

The SSCAFBH bit enables or disables the GTCNT counter start on the falling edge of GTIOCA pin input, when GTIOCB input is 1.

SSCBRAL bit (GTIOCB Pin Rising Input during GTIOCA Value Low Source Counter Start Enable)

The SSCBRAL bit enables or disables the GTCNT counter start on the rising edge of GTIOCB pin input, when GTIOCA input is 0.

SSCBRAH bit (GTIOCB Pin Rising Input during GTIOCA Value High Source Counter Start Enable)

The SSCBRAH bit enables or disables the GTCNT counter start on the rising edge of GTIOCB pin input, when GTIOCA input is 1.

SSCBFAL bit (GTIOCB Pin Falling Input during GTIOCA Value Low Source Counter Start Enable)

The SSCBFAL bit enables or disables the GTCNT counter start on the falling edge of GTIOCB pin input, when GTIOCA input is 0.

SSCBFAH bit (GTIOCB Pin Falling Input during GTIOCA Value High Source Counter Start Enable)

The SSCBFAH bit enables or disables the GTCNT counter start on the falling edge of GTIOCB pin input, when GTIOCA input is 1.

SSELCm bit (ELC_GPTm Event Source Counter Start Enable) (m = A to H)

The SSELCm bit enables or disables the GTCNT counter start at the ELC_GPTm event input.

CSTRT bit (Software Source Counter Start Enable)

The CSTRT bit enables or disables the GTCNT counter start by GTSTR register.

22.2.6 General PWM Timer Stop Source Select Register (GTPSR)

Address(es): GPT32m.GTPSR 4007 8014h + 0100h × m (m = 0 to 1),
GPT16m.GTPSR 4007 8014h + 0100h × m (m = 2 to 7)

| | | | | | | | | | | | | | | | |
|--------------------|----------|----------|----------|----------|----------|----------|----------|---------|---------|---------|---------|-----------|-----------|-----------|-----------|
| b31 | b30 | b29 | b28 | b27 | b26 | b25 | b24 | b23 | b22 | b21 | b20 | b19 | b18 | b17 | b16 |
| CSTOP | — | — | — | — | — | — | — | PSELC H | PSELC G | PSELC F | PSELC E | PSELC D | PSELC C | PSELC B | PSELC A |
| Value after reset: | 0 | 0 | 0 | 0 | 0 | 0 | 0 | 0 | 0 | 0 | 0 | 0 | 0 | 0 | 0 |
| b15 | b14 | b13 | b12 | b11 | b10 | b9 | b8 | b7 | b6 | b5 | b4 | b3 | b2 | b1 | b0 |
| PSCBF AH | PSCBF AL | PSCBR AH | PSCBR AL | PSCAF BH | PSCAF BL | PSCAR BH | PSCAR BL | — | — | — | — | PSGTR GBF | PSGTR GBR | PSGTR GAF | PSGTR GAR |
| Value after reset: | 0 | 0 | 0 | 0 | 0 | 0 | 0 | 0 | 0 | 0 | 0 | 0 | 0 | 0 | 0 |

| Bit | Symbol | Bit name | Description | R/W |
|-----|----------|------------------------------------------------------|--------------------------------------------------------------------------------------------------------------------------------|-----|
| b0 | PSGTRGAR | GTETRGA Pin Rising Input Source Counter Stop Enable | 0: Counter stop disabled on the rising edge of GTETRGA input 1: Counter stop enabled on the rising edge of GTETRGA input. | R/W |
| b1 | PSGTRGAF | GTETRGA Pin Falling Input Source Counter Stop Enable | 0: Counter stop disabled on the falling edge of GTETRGA input 1: Counter stop enabled on the falling edge of GTETRGA input. | R/W |
| b2 | PSGTRGBR | GTETRGB Pin Rising Input Source Counter Stop Enable | 0: Counter stop disabled on the rising edge of GTETRGB input 1: Counter stop enabled on the rising edge of GTETRGB input. | R/W |

| Bit | Symbol | Bit name | Description | R/W |
|------------|----------|------------------------------------------------------------------------------|----------------------------------------------------------------------------------------------------------------------------------------------------------------------------|-----|
| b3 | PSGTRGBF | GTETRGB Pin Falling Input Source Counter Stop Enable | 0: Counter stop disabled on the falling edge of GTETRGB input 1: Counter stop enabled on the falling edge of GTETRGB input. | R/W |
| b7 to b4 | — | Reserved | These bits are read as 0. The write value should be 0. | R/W |
| b8 | PSCARBL | GTIOCA Pin Rising Input during GTIOCB Value Low Source Counter Stop Enable | 0: Counter stop disabled on the rising edge of GTIOCA input when GTIOCB input is 0 1: Counter stop enabled on the rising edge of GTIOCA input when GTIOCB input is 0. | R/W |
| b9 | PSCARBH | GTIOCA Pin Rising Input during GTIOCB Value High Source Counter Stop Enable | 0: Counter stop disabled on the rising edge of GTIOCA input when GTIOCB input is 1 1: Counter stop enabled on the rising edge of GTIOCA input when GTIOCB input is 1. | R/W |
| b10 | PSCAFBL | GTIOCA Pin Falling Input during GTIOCB Value Low Source Counter Stop Enable | 0: Counter stop disabled on the falling edge of GTIOCA input when GTIOCB input is 0 1: Counter stop enabled on the falling edge of GTIOCA input when GTIOCB input is 0. | R/W |
| b11 | PSCAFBH | GTIOCA Pin Falling Input during GTIOCB Value High Source Counter Stop Enable | 0: Counter stop disabled on the falling edge of GTIOCA input when GTIOCB input is 1 1: Counter stop enabled on the falling edge of GTIOCA input when GTIOCB input is 1. | R/W |
| b12 | PSCBRAL | GTIOCB Pin Rising Input during GTIOCA Value Low Source Counter Stop Enable | 0: Counter stop disabled on the rising edge of GTIOCB input when GTIOCA input is 0 1: Counter stop enabled on the rising edge of GTIOCB input when GTIOCA input is 0. | R/W |
| b13 | PSCBRAH | GTIOCB Pin Rising Input during GTIOCA Value High Source Counter Stop Enable | 0: Counter stop disabled on the rising edge of GTIOCB input when GTIOCA input is 1 1: Counter stop enabled on the rising edge of GTIOCB input when GTIOCA input is 1. | R/W |
| b14 | PSCBFAL | GTIOCB Pin Falling Input during GTIOCA Value Low Source Counter Stop Enable | 0: Counter stop disabled on the falling edge of GTIOCB input when GTIOCA input is 0 1: Counter stop enabled on the falling edge of GTIOCB input when GTIOCA input is 0. | R/W |
| b15 | PSCBFAH | GTIOCB Pin Falling Input during GTIOCA Value High Source Counter Stop Enable | 0: Counter stop disabled on the falling edge of GTIOCB input when GTIOCA input is 1 1: Counter stop enabled on the falling edge of GTIOCB input when GTIOCA input is 1. | R/W |
| b16 | PSELCA | ELC_GPTA Event Source Counter Stop Enable | 0: Counter stop disabled at the ELC_GPTA event input 1: Counter stop enabled at the ELC_GPTA event input. | R/W |
| b17 | PSELCB | ELC_GPTB Event Source Counter Stop Enable | 0: Counter stop disabled at the ELC_GPTB event input 1: Counter stop enabled at the ELC_GPTB event input. | R/W |
| b18 | PSELCC | ELC_GPTC Event Source Counter Stop Enable | 0: Counter stop disabled at the ELC_GPTC event input 1: Counter stop enabled at the ELC_GPTC event input. | R/W |
| b19 | PSELCD | ELC_GPTD Event Source Counter Stop Enable | 0: Counter stop disabled at the ELC_GPTD event input 1: Counter stop enabled at the ELC_GPTD event input. | R/W |
| b20 | PSELCE | ELC_GPTE Event Source Counter Stop Enable | 0: Counter stop disabled at the ELC_GPTE event input 1: Counter stop enabled at the ELC_GPTE event input. | R/W |
| b21 | PSELCF | ELC_GPTF Event Source Counter Stop Enable | 0: Counter stop disabled at the ELC_GPTF event input 1: Counter stop enabled at the ELC_GPTF event input. | R/W |
| b22 | PSELCG | ELC_GPTG Event Source Counter Stop Enable | 0: Counter stop disabled at the ELC_GPTG event input 1: Counter stop enabled at the ELC_GPTG event input. | R/W |
| b23 | PSELCH | ELC_GPTH Event Source Counter Stop Enable | 0: Counter stop disabled at the ELC_GPTH event input 1: Counter stop enabled at the ELC_GPTH event input. | R/W |
| b30 to b24 | — | Reserved | These bits are read as 0. The write value should be 0. | R/W |
| b31 | CSTOP | Software Source Counter Stop Enable | 0: Counter stop disabled by the GTSTP register 1: Counter stop enabled by the GTSTP register. | R/W |

The GTPSR sets the source to stop the GTCNT counter.

PSGTRGAR bit (GTETRGA Pin Rising Input Source Counter Stop Enable)

The PSGTRGAR bit enables or disables the GTCNT counter stop on the rising edge of the GTETRGA pin input.

PSGTRGAF bit (GTETRGA Pin Falling Input Source Counter Stop Enable)

The PSGTRGAF bit enables or disables the GTCNT counter stop on the falling edge of the GTETRGA pin input.

PSGTRGBR bit (GTETRGB Pin Rising Input Source Counter Stop Enable)

The PSGTRGBR bit enables or disables the GTCNT counter stop on the rising edge of the GTETRGB pin input.

PSGTRGBF bit (GTETRGB Pin Falling Input Source Counter Stop Enable)

The PSGTRGBF bit enables or disables the GTCNT counter stop on the falling edge of the GTETRGB pin input.

PSCARBL bit (GTIOCA Pin Rising Input during GTIOCB Value Low Source Counter Stop Enable)

The PSCARBL bit enables or disables the GTCNT counter stop on the rising edge of GTIOCA pin input, when the GTIOCB input is 0.

PSCARBH bit (GTIOCA Pin Rising Input during GTIOCB Value High Source Counter Stop Enable)

The PSCARBH bit enables or disables the GTCNT counter stop on the rising edge of GTIOCA pin input, when the GTIOCB input is 1.

PSCAFBL bit (GTIOCA Pin Falling Input during GTIOCB Value Low Source Counter Stop Enable)

The PSCAFBL bit enables or disables the GTCNT counter stop on the falling edge of GTIOCA pin input, when the GTIOCB input is 0.

PSCAFBH bit (GTIOCA Pin Falling Input during GTIOCB Value High Source Counter Stop Enable)

The PSCAFBH bit enables or disables the GTCNT counter stop on the falling edge of GTIOCA pin input, when the GTIOCB input is 1.

PSCBRAL bit (GTIOCB Pin Rising Input during GTIOCA Value Low Source Counter Stop Enable)

The PSCBRAL bit enables or disables the GTCNT counter stop on the rising edge of GTIOCB pin input, when the GTIOCA input is 0.

PSCBRAH bit (GTIOCB Pin Rising Input during GTIOCA Value High Source Counter Stop Enable)

The PSCBRAH bit enables or disables the GTCNT counter stop on the rising edge of GTIOCB pin input, when the GTIOCA input is 1.

PSCBFAL bit (GTIOCB Pin Falling Input during GTIOCA Value Low Source Counter Stop Enable)

The PSCBFAL bit enables or disables the GTCNT counter stop on the falling edge of GTIOCB pin input, when the GTIOCA input is 0.

PSCBFAH bit (GTIOCB Pin Falling Input during GTIOCA Value High Source Counter Stop Enable)

The PSCBFAH bit enables or disables the GTCNT counter stop on the falling edge of GTIOCB pin input, when the GTIOCA input is 1.

PSELCm bit (ELC_GPTm Event Source Counter Stop Enable) (m = A to H)

The PSELCm bit enables or disables the GTCNT counter stop at the ELC_GPTm event input.

CSTOP bit (Software Source Counter Stop Enable)

The CSTOP bit enables or disables the GTCNT counter stop by the GTSTP register.

22.2.7 General PWM Timer Clear Source Select Register (GTCSR)

Address(es): GPT32m.GTCSR 4007 8018h + 0100h × m (m = 0 to 1),
GPT16m.GTCSR 4007 8018h + 0100h × m (m = 2 to 7)

| | | | | | | | | | | | | | | | | |
|--------------------|-------------|-------------|-------------|-------------|-------------|-------------|-------------|-------------|------------|------------|------------|------------|--------------|--------------|--------------|--------------|
| | b31 | b30 | b29 | b28 | b27 | b26 | b25 | b24 | b23 | b22 | b21 | b20 | b19 | b18 | b17 | b16 |
| | CCLR | — | — | — | — | — | — | — | CSELC H | CSELC G | CSELC F | CSELC E | CSELC D | CSELC C | CSELC B | CSELC A |
| Value after reset: | 0 | 0 | 0 | 0 | 0 | 0 | 0 | 0 | 0 | 0 | 0 | 0 | 0 | 0 | 0 | 0 |
| | b15 | b14 | b13 | b12 | b11 | b10 | b9 | b8 | b7 | b6 | b5 | b4 | b3 | b2 | b1 | b0 |
| | CSCBF AH | CSCBF AL | CSCBR AH | CSCBR AL | CSCAF BH | CSCAF BL | CSCAR BH | CSCAR BL | — | — | — | — | CSGTR GBF | CSGTR GBR | CSGTR GAF | CSGTR GAR |
| Value after reset: | 0 | 0 | 0 | 0 | 0 | 0 | 0 | 0 | 0 | 0 | 0 | 0 | 0 | 0 | 0 | 0 |

| Bit | Symbol | Bit name | Description | R/W |
|----------|--------------------------|-------------------------------------------------------------------------------|------------------------------------------------------------------------------------------------------------------------------------------------------------------------------|-----|
| b0 | CSGTRGAR | GTETRGA Pin Rising Input Source Counter Clear Enable | 0: Counter clear disabled on the rising edge of GTETRGA input 1: Counter clear enabled on the rising edge of GTETRGA input. | R/W |
| b1 | CSGTRGAF | GTETRGA Pin Falling Input Source Counter Clear Enable | 0: Counter clear disabled on the falling edge of GTETRGA input 1: Counter clear enabled on the falling edge of GTETRGA input. | R/W |
| b2 | CSGTRGBR | GTETRGB Pin Rising Input Source Counter Clear Enable | 0: Counter clear disabled on the rising edge of GTETRGB input 1: Counter clear enabled on the rising edge of GTETRGB input. | R/W |
| b3 | CSGTRGBF | GTETRGB Pin Falling Input Source Counter Clear Enable | 0: Counter clear disabled on the falling edge of GTETRGB input 1: Counter clear enabled on the falling edge of GTETRGB input. | R/W |
| b7 to b4 | — | Reserved | These bits are read as 0. The write value should be 0. | R/W |
| b8 | CSCARBL | GTIOCA Pin Rising Input during GTIOCB Value Low Source Counter Clear Enable | 0: Counter clear disabled on the rising edge of GTIOCA input when GTIOCB input is 0 1: Counter clear enabled on the rising edge of GTIOCA input when GTIOCB input is 0. | R/W |
| b9 | CSCARBH | GTIOCA Pin Rising Input during GTIOCB Value High Source Counter Clear Enable | 0: Counter clear disabled on the rising edge of GTIOCA input when GTIOCB input is 1 1: Counter clear enabled on the rising edge of GTIOCA input when GTIOCB input is 1. | R/W |
| b10 | CSCAFBL | GTIOCA Pin Falling Input during GTIOCB Value Low Source Counter Clear Enable | 0: Counter clear disabled on the falling edge of GTIOCA input when GTIOCB input is 0 1: Counter clear enabled on the falling edge of GTIOCA input when GTIOCB input is 0. | R/W |
| b11 | CSCAFBH | GTIOCA Pin Falling Input during GTIOCB Value High Source Counter Clear Enable | 0: Counter clear disabled on the falling edge of GTIOCA input when GTIOCB input is 1 1: Counter clear enabled on the falling edge of GTIOCA input when GTIOCB input is 1. | R/W |
| b12 | CSCBRAL | GTIOCB Pin Rising Input during GTIOCA Value Low Source Counter Clear Enable | 0: Counter clear disabled on the rising edge of GTIOCB input when GTIOCA input is 0 1: Counter clear enabled on the rising edge of GTIOCB input when GTIOCA input is 0. | R/W |
| b13 | CSCBRAH | GTIOCB Pin Rising Input during GTIOCA Value High Source Counter Clear Enable | 0: Counter clear disabled on the rising edge of GTIOCB input when GTIOCA input is 1 1: Counter clear enabled on the rising edge of GTIOCB input when GTIOCA input is 1. | R/W |

| Bit | Symbol | Bit name | Description | R/W |
|------------|-------------------------|-------------------------------------------------------------------------------|------------------------------------------------------------------------------------------------------------------------------------------------------------------------------|-----|
| b14 | CSCBFAL | GTIOCB Pin Falling Input during GTIOCA Value Low Source Counter Clear Enable | 0: Counter clear disabled on the falling edge of GTIOCB input when GTIOCA input is 0 1: Counter clear enabled on the falling edge of GTIOCB input when GTIOCA input is 0. | R/W |
| b15 | CSCBFAH | GTIOCB Pin Falling Input during GTIOCA Value High Source Counter Clear Enable | 0: Counter clear disabled on the falling edge of GTIOCB input when GTIOCA input is 1 1: Counter clear enabled on the falling edge of GTIOCB input when GTIOCA input is 1. | R/W |
| b16 | CSELCA | ELC_GPTA Event Source Counter Clear Enable | 0: Counter clear disabled at the ELC_GPTA event input 1: Counter clear enabled at the ELC_GPTA event input. | R/W |
| b17 | CSELCB | ELC_GPTB Event Source Counter Clear Enable | 0: Counter clear disabled at the ELC_GPTB event input 1: Counter clear enabled at the ELC_GPTB event input. | R/W |
| b18 | CSELCC | ELC_GPTC Event Source Counter Clear Enable | 0: Counter clear disabled at the ELC_GPTC event input 1: Counter clear enabled at the ELC_GPTC event input. | R/W |
| b19 | CSELCD | ELC_GPTD Event Source Counter Clear Enable | 0: Counter clear disabled at the ELC_GPTD event input 1: Counter clear enabled at the ELC_GPTD event input. | R/W |
| b20 | CSELCE | ELC_GPTE Event Source Counter Clear Enable | 0: Counter clear disabled at the ELC_GPTE event input 1: Counter clear enabled at the ELC_GPTE event input. | R/W |
| b21 | CSELCF | ELC_GPTF Event Source Counter Clear Enable | 0: Counter clear disabled at the ELC_GPTF event input 1: Counter clear enabled at the ELC_GPTF event input. | R/W |
| b22 | CSELCG | ELC_GPTG Event Source Counter Clear Enable | 0: Counter clear disabled at the ELC_GPTG event input 1: Counter clear enabled at the ELC_GPTG event input. | R/W |
| b23 | CSELCH | ELC_GPTH Event Source Counter Clear Enable | 0: Counter clear disabled at the ELC_GPTH event input 1: Counter clear enabled at the ELC_GPTH event input. | R/W |
| b30 to b24 | — | Reserved | These bits are read as 0. The write value should be 0. | R/W |
| b31 | CCLR | Software Source Counter Clear Enable | 0: Counter clear disabled by the GTCLR register 1: Counter clear enabled by the GTCLR register. | R/W |

GTCSR sets the source to clear the GTCNT counter.

CSGTRGAR bit (GTETRGA Pin Rising Input Source Counter Clear Enable)

The CSGTRGAR bit enables or disables the GTCNT counter clear on the rising edge of the GTETRGA pin input.

CSGTRGAF bit (GTETRGA Pin Falling Input Source Counter Clear Enable)

The CSGTRGAF bit enables or disables the GTCNT counter clear on the falling edge of the GTETRGA pin input.

CSGTRGBR bit (GTETRGB Pin Rising Input Source Counter Clear Enable)

The CSGTRGBR bit enables or disables the GTCNT counter clear on the rising edge of the GTETRGB pin input.

CSGTRGBF bit (GTETRGB Pin Falling Input Source Counter Clear Enable)

The CSGTRGBF bit enables or disables the GTCNT counter clear on the falling edge of the GTETRGB pin input.

CSCARBL bit (GTIOCA Pin Rising Input during GTIOCB Value Low Source Counter Clear Enable)

The CSCARBL bit enables or disables the GTCNT counter clear on the rising edge of the GTIOCA pin input, when the GTIOCB input is 0.

CSCARBH bit (GTIOCA Pin Rising Input during GTIOCB Value High Source Counter Clear Enable)

The CSCARBH bit enables or disables the GTCNT counter clear on the rising edge of the GTIOCA pin input, when the GTIOCB input is 1.

CSCAFBL bit (GTIOCA Pin Falling Input during GTIOCB Value Low Source Counter Clear Enable)

The CSCAFBL bit enables or disables the GTCNT counter clear on the falling edge of the GTIOCA pin input, when the GTIOCB input is 0.

CSCAFBH bit (GTIOCA Pin Falling Input during GTIOCB Value High Source Counter Clear Enable)

The CSCAFBH bit enables or disables the GTCNT counter clear on the falling edge of GTIOCA pin input, when the GTIOCB input is 1.

CSCBRAL bit (GTIOCB Pin Rising Input during GTIOCA Value Low Source Counter Clear Enable)

The CSCBRAL bit enables or disables the GTCNT counter clear on the rising edge of GTIOCB pin input, when the GTIOCA input is 0.

CSCBRAH bit (GTIOCB Pin Rising Input during GTIOCA Value High Source Counter Clear Enable)

The CSCBRAH bit enables or disables the GTCNT counter clear on the rising edge of GTIOCB pin input, when the GTIOCA input is 1.

CSCBFAL bit (GTIOCB Pin Falling Input during GTIOCA Value Low Source Counter Clear Enable)

The CSCBFAL bit enables or disables the GTCNT counter clear on the falling edge of GTIOCB pin input, when the GTIOCA input is 0.

CSCBFAH bit (GTIOCB Pin Falling Input during GTIOCA Value High Source Counter Clear Enable)

The CSCBFAH bit enables or disables the GTCNT counter clear on the falling edge of GTIOCB pin input, when the GTIOCA input is 1.

CSELCm bit (ELC_GPTm Event Source Counter Clear Enable) (m = A to H)

The CSELCm bit enables or disables the GTCNT counter clear at the ELC_GPTm event input.

CCLR bit (Software Source Counter Clear Enable)

The CCLR bit enables or disables the GTCNT counter clear by the GTCLR register.

22.2.8 General PWM Timer Up Count Source Select Register (GTUPSR)

Address(es): GPT32m.GTUPSR 4007 801Ch + 0100h × m (m = 0 to 1),
GPT16m.GTUPSR 4007 801Ch + 0100h × m (m = 2 to 7)

| | | | | | | | | | | | | | | | | |
|--------------------|----------|----------|----------|----------|----------|----------|----------|----------|---------|---------|---------|---------|-----------|-----------|-----------|-----------|
| | b31 | b30 | b29 | b28 | b27 | b26 | b25 | b24 | b23 | b22 | b21 | b20 | b19 | b18 | b17 | b16 |
| | — | — | — | — | — | — | — | — | USELC H | USELC G | USELC F | USELC E | USELC D | USELC C | USELC B | USELC A |
| Value after reset: | 0 | 0 | 0 | 0 | 0 | 0 | 0 | 0 | 0 | 0 | 0 | 0 | 0 | 0 | 0 | 0 |
| | b15 | b14 | b13 | b12 | b11 | b10 | b9 | b8 | b7 | b6 | b5 | b4 | b3 | b2 | b1 | b0 |
| | USCBF AH | USCBF AL | USCBR AH | USCBR AL | USCAF BH | USCAF BL | USCAR BH | USCAR BL | — | — | — | — | USGTR GBF | USGTR GBR | USGTR GAF | USGTR GAR |
| Value after reset: | 0 | 0 | 0 | 0 | 0 | 0 | 0 | 0 | 0 | 0 | 0 | 0 | 0 | 0 | 0 | 0 |

| Bit | Symbol | Bit name | Description | R/W |
|-----|----------|----------------------------------------------------------|----------------------------------------------------------------------------------------------------------------------------------------|-----|
| b0 | USGTRGAR | GTETRGA Pin Rising Input Source Counter Count Up Enable | 0: Counter count up disabled on the rising edge of GTETRGA input 1: Counter count up enabled on the rising edge of GTETRGA input. | R/W |
| b1 | USGTRGAF | GTETRGA Pin Falling Input Source Counter Count Up Enable | 0: Counter count up disabled on the falling edge of GTETRGA input 1: Counter count up enabled on the falling edge of GTETRGA input. | R/W |
| b2 | USGTRGBR | GTETRGB Pin Rising Input Source Counter Count Up Enable | 0: Counter count up disabled on the rising edge of GTETRGB input 1: Counter count up enabled on the rising edge of GTETRGB input. | R/W |

| Bit | Symbol | Bit name | Description | R/W |
|------------|----------|----------------------------------------------------------------------------------|------------------------------------------------------------------------------------------------------------------------------------------------------------------------------------|-----|
| b3 | USGTRGBF | GTETRGB Pin Falling Input Source Counter Count Up Enable | 0: Counter count up disabled on the falling edge of GTETRGB input 1: Counter count up enabled on the falling edge of GTETRGB input. | R/W |
| b7 to b4 | — | Reserved | These bits are read as 0. The write value should be 0. | R/W |
| b8 | USCARBL | GTIOCA Pin Rising Input during GTIOCB Value Low Source Counter Count Up Enable | 0: Counter count up disabled on the rising edge of GTIOCA input when GTIOCB input is 0 1: Counter count up enabled on the rising edge of GTIOCA input when GTIOCB input is 0. | R/W |
| b9 | USCARBH | GTIOCA Pin Rising Input during GTIOCB Value High Source Counter Count Up Enable | 0: Counter count up disabled on the rising edge of GTIOCA input when GTIOCB input is 1 1: Counter count up enabled on the rising edge of GTIOCA input when GTIOCB input is 1. | R/W |
| b10 | USCAFBL | GTIOCA Pin Falling Input during GTIOCB Value Low Source Counter Count Up Enable | 0: Counter count up disabled on the falling edge of GTIOCA input when GTIOCB input is 0 1: Counter count up enabled on the falling edge of GTIOCA input when GTIOCB input is 0. | R/W |
| b11 | USCAFBH | GTIOCA Pin Falling Input during GTIOCB Value High Source Counter Count Up Enable | 0: Counter count up disabled on the falling edge of GTIOCA input when GTIOCB input is 1 1: Counter count up enabled on the falling edge of GTIOCA input when GTIOCB input is 1. | R/W |
| b12 | USCBRAL | GTIOCB Pin Rising Input during GTIOCA Value Low Source Counter Count Up Enable | 0: Counter count up disabled on the rising edge of GTIOCB input when GTIOCA input is 0 1: Counter count up enabled on the rising edge of GTIOCB input when GTIOCA input is 0. | R/W |
| b13 | USCBRAH | GTIOCB Pin Rising Input during GTIOCA Value High Source Counter Count Up Enable | 0: Counter count up disabled on the rising edge of GTIOCB input when GTIOCA input is 1 1: Counter count up enabled on the rising edge of GTIOCB input when GTIOCA input is 1. | R/W |
| b14 | USCBFAL | GTIOCB Pin Falling Input during GTIOCA Value Low Source Counter Count Up Enable | 0: Counter count up disabled on the falling edge of GTIOCB input when GTIOCA input is 0 1: Counter count up enabled on the falling edge of GTIOCB input when GTIOCA input is 0. | R/W |
| b15 | USCBFAH | GTIOCB Pin Falling Input during GTIOCA Value High Source Counter Count Up Enable | 0: Counter count up disabled on the falling edge of GTIOCB input when GTIOCA input is 1 1: Counter count up enabled on the falling edge of GTIOCB input when GTIOCA input is 1. | R/W |
| b16 | USELCA | ELC_GPTA Event Source Counter Count Up Enable | 0: Counter count up disabled at the ELC_GPTA event input 1: Counter count up enabled at the ELC_GPTA event input. | R/W |
| b17 | USELCB | ELC_GPTB Event Source Counter Count Up Enable | 0: Counter count up disabled at the ELC_GPTB event input 1: Counter count up enabled at the ELC_GPTB event input. | R/W |
| b18 | USELCC | ELC_GPTC Event Source Counter Count Up Enable | 0: Counter count up disabled at the ELC_GPTC event input 1: Counter count up enabled at the ELC_GPTC event input. | R/W |
| b19 | USELCD | ELC_GPTD Event Source Counter Count Up Enable | 0: Counter count up disabled at the ELC_GPTD event input 1: Counter count up enabled at the ELC_GPTD event input. | R/W |
| b20 | USELCE | ELC_GPTE Event Source Counter Count Up Enable | 0: Counter count up disabled at the ELC_GPTE event input 1: Counter count up enabled at the ELC_GPTE event input. | R/W |
| b21 | USELCF | ELC_GPTF Event Source Counter Count Up Enable | 0: Counter count up disabled at the ELC_GPTF event input 1: Counter count up enabled at the ELC_GPTF event input | R/W |
| b22 | USELCG | ELC_GPTG Event Source Counter Count Up Enable | 0: Counter count up disabled at the ELC_GPTG event input 1: Counter count up enabled at the ELC_GPTG event input | R/W |
| b23 | USELCH | ELC_GPTH Event Source Counter Count Up Enable | 0: Counter count up disabled at the ELC_GPTH event input 1: Counter count up enabled at the ELC_GPTH event input | R/W |
| b31 to b24 | — | Reserved | These bits are read as 0. The write value should be 0. | R/W |

The GTUPSR sets the source to count up the GTCNT counter.

When at least one bit in the GTUPSR register is set to 1, the GTCNT counter is counted up by the source that is set to 1 in this register. In this case, GTCR.TPCS has no effect.

USGTRGAR bit (GTETRGA Pin Rising Input Source Counter Count Up Enable)

The USGTRGAR bit enables or disables the GTCNT counter count up on the rising edge of the GTETRGA pin input.

USGTRGAF bit (GTETRGA Pin Falling Input Source Counter Count Up Enable)

The USGTRGAF bit enables or disables the GTCNT counter count up on the falling edge of the GTETRGA pin input.

USGTRGBR bit (GTETRGB Pin Rising Input Source Counter Count Up Enable)

The USGTRGBR bit enables or disables the GTCNT counter count up on the rising edge of the GTETRGB pin input.

USGTRGBF bit (GTETRGB Pin Falling Input Source Counter Count Up Enable)

The USGTRGBF bit enables or disables the GTCNT counter count up on the falling edge of the GTETRGB pin input.

USCARBL bit (GTIOCA Pin Rising Input during GTIOCB Value Low Source Counter Count Up Enable)

The USCARBL bit enables or disables the GTCNT counter count up on the rising edge of GTIOCA pin input, when the GTIOCB input is 0.

USCARBH bit (GTIOCA Pin Rising Input during GTIOCB Value High Source Counter Count Up Enable)

The USCARBH bit enables or disables the GTCNT counter count up on the rising edge of GTIOCA pin input, when the GTIOCB input is 1.

USCAFBL bit (GTIOCA Pin Falling Input during GTIOCB Value Low Source Counter Count Up Enable)

The USCAFBL bit enables or disables the GTCNT counter count up on the falling edge of GTIOCA pin input, when the GTIOCB input is 0.

USCAFBH bit (GTIOCA Pin Falling Input during GTIOCB Value High Source Counter Count Up Enable)

The USCAFBH bit enables or disables the GTCNT counter count up on the falling edge of GTIOCA pin input, when the GTIOCB input is 1.

USCBRAL bit (GTIOCB Pin Rising Input during GTIOCA Value Low Source Counter Count Up Enable)

The USCBRAL bit enables or disables the GTCNT counter count up on the rising edge of GTIOCB pin input, when the GTIOCA input is 0.

USCBRAH bit (GTIOCB Pin Rising Input during GTIOCA Value High Source Counter Count Up Enable)

The USCBRAH bit enables or disables the GTCNT counter count up on the rising edge of GTIOCB pin input, when the GTIOCA input is 1.

USCBFAL bit (GTIOCB Pin Falling Input during GTIOCA Value Low Source Counter Count Up Enable)

The USCBFAL bit enables or disables the GTCNT counter count up on the falling edge of GTIOCB pin input, when the GTIOCA input is 0.

USCBFAH bit (GTIOCB Pin Falling Input during GTIOCA Value High Source Counter Count Up Enable)

The USCBFAH bit enables or disables the GTCNT counter count up on the falling edge of GTIOCB pin input, when the GTIOCA input is 1.

USELCm bit (ELC_GPTm Event Source Counter Count Up Enable) (m = A to H)

The USELCm bit enables or disables the GTCNT counter count up at the ELC_GPTm event input.

22.2.9 General PWM Timer Down Count Source Select Register (GTDNSR)

Address(es): GPT32m.GTDNSR 4007 8020h + 0100h × m (m = 0 to 1),
GPT16m.GTDNSR 4007 8020h + 0100h × m (m = 2 to 7)

| | | | | | | | | | | | | | | | |
|----------------------------------------------------|-------------|-------------|-------------|-------------|-------------|-------------|-------------|------------|------------|------------|------------|--------------|--------------|--------------|--------------|
| b31 | b30 | b29 | b28 | b27 | b26 | b25 | b24 | b23 | b22 | b21 | b20 | b19 | b18 | b17 | b16 |
| — | — | — | — | — | — | — | — | DSELC H | DSELC G | DSELC F | DSELC E | DSELC D | DSELC C | DSELC B | DSELC A |
| Value after reset: 0 0 0 0 0 0 0 0 0 0 0 0 0 0 0 0 | | | | | | | | | | | | | | | |
| b15 | b14 | b13 | b12 | b11 | b10 | b9 | b8 | b7 | b6 | b5 | b4 | b3 | b2 | b1 | b0 |
| DSCBF AH | DSCBF AL | DSCBR AH | DSCBR AL | DSCAF BH | DSCAF BL | DSCAR BH | DSCAR BL | — | — | — | — | DSGTR GBF | DSGTR GBR | DSGTR GAF | DSGTR GAR |
| Value after reset: 0 0 0 0 0 0 0 0 0 0 0 0 0 0 0 0 | | | | | | | | | | | | | | | |

| Bit | Symbol | Bit name | Description | R/W |
|----------|----------|------------------------------------------------------------------------------------|----------------------------------------------------------------------------------------------------------------------------------------------------------------------------------------|-----|
| b0 | DSGTRGAR | GTETRGA Pin Rising Input Source Counter Count Down Enable | 0: Counter count down disabled on the rising edge of GTETRGA input 1: Counter count down enabled on the rising edge of GTETRGA input. | R/W |
| b1 | DSGTRGAF | GTETRGA Pin Falling Input Source Counter Count Down Enable | 0: Counter count down disabled on the falling edge of GTETRGA input 1: Counter count down enabled on the falling edge of GTETRGA input. | R/W |
| b2 | DSGTRGBR | GTETRGB Pin Rising Input Source Counter Count Down Enable | 0: Counter count down disabled on the rising edge of GTETRGB input 1: Counter count down enabled on the rising edge of GTETRGB input. | R/W |
| b3 | DSGTRGBF | GTETRGB Pin Falling Input Source Counter Count Down Enable | 0: Counter count down disabled on the falling edge of GTETRGB input 1: Counter count down enabled on the falling edge of GTETRGB input. | R/W |
| b7 to b4 | — | Reserved | These bits are read as 0. The write value should be 0. | R/W |
| b8 | DSCARBL | GTIOCA Pin Rising Input during GTIOCB Value Low Source Counter Count Down Enable | 0: Counter count down disabled on the rising edge of GTIOCA input when GTIOCB input is 0 1: Counter count down enabled on the rising edge of GTIOCA input when GTIOCB input is 0. | R/W |
| b9 | DSCARBH | GTIOCA Pin Rising Input during GTIOCB Value High Source Counter Count Down Enable | 0: Counter count down disabled on the rising edge of GTIOCA input when GTIOCB input is 1 1: Counter count down enabled on the rising edge of GTIOCA input when GTIOCB input is 1. | R/W |
| b10 | DSCAFBL | GTIOCA Pin Falling Input during GTIOCB Value Low Source Counter Count Down Enable | 0: Counter count down disabled on the falling edge of GTIOCA input when GTIOCB input is 0 1: Counter count down enabled on the falling edge of GTIOCA input when GTIOCB input is 0. | R/W |
| b11 | DSCAFBH | GTIOCA Pin Falling Input during GTIOCB Value High Source Counter Count Down Enable | 0: Counter count down disabled on the falling edge of GTIOCA input when GTIOCB input is 1 1: Counter count down enabled on the falling edge of GTIOCA input when GTIOCB input is 1. | R/W |
| b12 | DSCBRAL | GTIOCB Pin Rising Input during GTIOCA Value Low Source Counter Count Down Enable | 0: Counter count down disabled on the rising edge of GTIOCB input when GTIOCA input is 0 1: Counter count down enabled on the rising edge of GTIOCB input when GTIOCA input is 0. | R/W |
| b13 | DSCBRAH | GTIOCB Pin Rising Input during GTIOCA Value High Source Counter Count Down Enable | 0: Counter count down disabled on the rising edge of GTIOCB input when GTIOCA input is 1 1: Counter count down enabled on the rising edge of GTIOCB input when GTIOCA input is 1. | R/W |

| Bit | Symbol | Bit name | Description | R/W |
|------------|---------|------------------------------------------------------------------------------------|----------------------------------------------------------------------------------------------------------------------------------------------------------------------------------------|-----|
| b14 | DSCBFAL | GTIOCB Pin Falling Input during GTIOCA Value Low Source Counter Count Down Enable | 0: Counter count down disabled on the falling edge of GTIOCB input when GTIOCA input is 0 1: Counter count down enabled on the falling edge of GTIOCB input when GTIOCA input is 0. | R/W |
| b15 | DSCBFAH | GTIOCB Pin Falling Input during GTIOCA Value High Source Counter Count Down Enable | 0: Counter count down disabled on the falling edge of GTIOCB input when GTIOCA input is 1 1: Counter count down enabled on the falling edge of GTIOCB input when GTIOCA input is 1. | R/W |
| b16 | DSELCA | ELC_GPTA Event Source Counter Count Down Enable | 0: Counter count down disabled at the ELC_GPTA event input 1: Counter count down enabled at the ELC_GPTA event input. | R/W |
| b17 | DSELCB | ELC_GPTB Event Source Counter Count Down Enable | 0: Counter count down disabled at the ELC_GPTB event input 1: Counter count down enabled at the ELC_GPTB event input. | R/W |
| b18 | DSELCC | ELC_GPTC Event Source Counter Count Down Enable | 0: Counter count down disabled at the ELC_GPTC event input 1: Counter count down enabled at the ELC_GPTC event input. | R/W |
| b19 | DSELCD | ELC_GPTD Event Source Counter Count Down Enable | 0: Counter count down disabled at the ELC_GPTD event input 1: Counter count down enabled at the ELC_GPTD event input. | R/W |
| b20 | DSELCE | ELC_GPTE Event Source Counter Count Down Enable | 0: Counter count down disabled at the ELC_GPTE event input 1: Counter count down enabled at the ELC_GPTE event input. | R/W |
| b21 | DSELCF | ELC_GPTF Event Source Counter Count Down Enable | 0: Counter count down disabled at the ELC_GPTF event input 1: Counter count down enabled at the ELC_GPTF event input. | R/W |
| b22 | DSELCG | ELC_GPTG Event Source Counter Count Down Enable | 0: Counter count down disabled at the ELC_GPTG event input 1: Counter count down enabled at the ELC_GPTG event input. | R/W |
| b23 | DSELCH | ELC_GPTH Event Source Counter Count Down Enable | 0: Counter count down disabled at the ELC_GPTH event input 1: Counter count down enabled at the ELC_GPTH event input. | R/W |
| b31 to b24 | — | Reserved | These bits are read as 0. The write value should be 0. | R/W |

The GTDNSR sets the source to count down the GTCNT counter.

When at least one bit in the GTDNSR register is set to 1, the GTCNT counter is counted down by the source that is set to 1 in this register. In this case, GTCR.TPCS has no effect.

DSGTRGAR bit (GTETRGA Pin Rising Input Source Counter Count Down Enable)

The DSGTRGAR bit enables or disables the GTCNT counter count down on the rising edge of the GTETRGA pin input.

DSGTRGAF bit (GTETRGA Pin Falling Input Source Counter Count Down Enable)

The DSGTRGAF bit enables or disables the GTCNT counter count down on the falling edge of the GTETRGA pin input.

DSGTRGBR bit (GTETRGB Pin Rising Input Source Counter Count Down Enable)

The DSGTRGBR bit enables or disables the GTCNT counter count down on the rising edge of the GTETRGB pin input.

DSGTRGBF bit (GTETRGB Pin Falling Input Source Counter Count Down Enable)

The DSGTRGBF bit enables or disables the GTCNT counter count down on the falling edge of the GTETRGB pin input.

DSCARBL bit (GTIOCA Pin Rising Input during GTIOCB Value Low Source Counter Count Down Enable)

The DSCARBL bit enables or disables the GTCNT counter count down on the rising edge of the GTIOCA pin input, when GTIOCB input is 0.

DSCARBH bit (GTIOCA Pin Rising Input during GTIOCB Value High Source Counter Count Down Enable)

The DSCARBH bit enables or disables the GTCNT counter count down on the rising edge of the GTIOCA pin input, when the GTIOCB input is 1.

DSCAFBL bit (GTIOCA Pin Falling Input during GTIOCB Value Low Source Counter Count Down Enable)

Enable)

The DSCAFBL bit enables or disables the GTCNT counter count down on the falling edge of the GTIOCA pin input, when the GTIOCB input is 0.

DSCAFBH bit (GTIOCA Pin Falling Input during GTIOCB Value High Source Counter Count Down Enable)

The DSCAFBH bit enables or disables the GTCNT counter count down on the falling edge of the GTIOCA pin input, when the GTIOCB input is 1.

DSCBRAL bit (GTIOCB Pin Rising Input during GTIOCA Value Low Source Counter Count Down Enable)

The DSCBRAL bit enables or disables the GTCNT counter count down on the rising edge of the GTIOCB pin input, when the GTIOCA input is 0.

DSCBRAH bit (GTIOCB Pin Rising Input during GTIOCA Value High Source Counter Count Down Enable)

The DSCBRAH bit enables or disables the GTCNT counter count down on the rising edge of the GTIOCB pin input, when the GTIOCA input is 1.

DSCBFAL bit (GTIOCB Pin Falling Input during GTIOCA Value Low Source Counter Count Down Enable)

The DSCBFAL bit enables or disables the GTCNT counter count down on the falling edge of the GTIOCB pin input, when the GTIOCA input is 0.

DSCBFAH bit (GTIOCB Pin Falling Input during GTIOCA Value High Source Counter Count Down Enable)

The DSCBFAH bit enables or disables the GTCNT counter count down on the falling edge of the GTIOCB pin input, when the GTIOCA input is 1.

DSELCm bit (ELC_GPTm Event Source Counter Count Down Enable) (m = A to H)

The DSELCm bit enables or disables the GTCNT counter count down at the ELC_GPTm event input.

22.2.10 General PWM Timer Input Capture Source Select Register A(GTICASR)

Address(es): GPT32m.GTICASR 4007 8024h + 0100h × m (m = 0 to 1),
GPT16m.GTICASR 4007 8024h + 0100h × m (m = 2 to 7)

| | | | | | | | | | | | | | | | | |
|--------------------|---------|---------|---------|---------|----------|----------|----------|----------|--------|--------|--------|--------|-----------|-----------|-----------|-----------|
| | b31 | b30 | b29 | b28 | b27 | b26 | b25 | b24 | b23 | b22 | b21 | b20 | b19 | b18 | b17 | b16 |
| | — | — | — | — | — | — | — | — | ASELCH | ASELCG | ASELCF | ASELCE | ASELCD | ASELCC | ASELCB | ASELCA |
| Value after reset: | 0 | 0 | 0 | 0 | 0 | 0 | 0 | 0 | 0 | 0 | 0 | 0 | 0 | 0 | 0 | 0 |
| | b15 | b14 | b13 | b12 | b11 | b10 | b9 | b8 | b7 | b6 | b5 | b4 | b3 | b2 | b1 | b0 |
| | ASCBFAH | ASCBFAL | ASCBRAH | ASCBRAL | ASCAF BH | ASCAF BL | ASCAR BH | ASCAR BL | — | — | — | — | ASGTR GBF | ASGTR GBR | ASGTR GAF | ASGTR GAR |
| Value after reset: | 0 | 0 | 0 | 0 | 0 | 0 | 0 | 0 | 0 | 0 | 0 | 0 | 0 | 0 | 0 | 0 |

| Bit | Symbol | Bit name | Description | R/W |
|-----|----------|-----------------------------------------------------------------|------------------------------------------------------------------------------------------------------------------------------------------------|-----|
| b0 | ASGTRGAR | GTETRGA Pin Rising Input Source GTCCRA Input Capture Enable | 0: GTCCRA input capture disabled on the rising edge of GTETRGA input 1: GTCCRA input capture enabled on the rising edge of GTETRGA input. | R/W |
| b1 | ASGTRGAF | GTETRGA Pin Falling Input Source GTCCRA Input Capture Enable | 0: GTCCRA input capture disabled on the falling edge of GTETRGA input 1: GTCCRA input capture enabled on the falling edge of GTETRGA input. | R/W |

| Bit | Symbol | Bit name | Description | R/W |
|----------|----------|--------------------------------------------------------------------------------------------|--------------------------------------------------------------------------------------------------------------------------------------------------------------------------------------------|-----|
| b2 | ASGTRGBR | GTETRGB Pin Rising Input Source GTCCRA Input Capture Enable | 0: GTCCRA input capture disabled on the rising edge of GTETRGB input 1: GTCCRA input capture enabled on the rising edge of GTETRGB input. | R/W |
| b3 | ASGTRGBF | GTETRGB Pin Falling Input Source GTCCRA Input Capture Enable | 0: GTCCRA input capture disabled on the falling edge of GTETRGB input 1: GTCCRA input capture enabled on the falling edge of GTETRGB input. | R/W |
| b7 to b4 | — | Reserved | These bits are read as 0. The write value should be 0. | R/W |
| b8 | ASCARBL | GTIOCA Pin Rising Input during GTIOCB Value Low Source GTCCRA Input Capture Enable | 0: GTCCRA input capture disabled on the rising edge of GTIOCA input when GTIOCB input is 0 1: GTCCRA input capture enabled on the rising edge of GTIOCA input when GTIOCB input is 0. | R/W |
| b9 | ASCARBH | GTIOCA Pin Rising Input during GTIOCB Value High Source GTCCRA Input Capture Enable | 0: GTCCRA input capture disabled on the rising edge of GTIOCA input when GTIOCB input is 1 1: GTCCRA input capture enabled on the rising edge of GTIOCA input when GTIOCB input is 1. | R/W |
| b10 | ASCAFBL | GTIOCA Pin Falling Input during GTIOCB Value Low Source GTCCRA Input Capture Enable | 0: GTCCRA input capture disabled on the falling edge of GTIOCA input when GTIOCB input is 0 1: GTCCRA input capture enabled on the falling edge of GTIOCA input when GTIOCB input is 0. | R/W |
| b11 | ASCAFBH | GTIOCA Pin Falling Input during GTIOCB Value High Source GTCCRA Input Capture Enable | 0: GTCCRA input capture disabled on the falling edge of GTIOCA input when GTIOCB input is 1 1: GTCCRA input capture enabled on the falling edge of GTIOCA input when GTIOCB input is 1. | R/W |
| b12 | ASCBRAL | GTIOCB Pin Rising Input during GTIOCA Value Low Source GTCCRA Input Capture Enable | 0: GTCCRA input capture disabled on the rising edge of GTIOCB input when GTIOCA input is 0 1: GTCCRA input capture enabled on the rising edge of GTIOCB input when GTIOCA input is 0. | R/W |
| b13 | ASCBRAH | GTIOCB Pin Rising Input during GTIOCA Value High Source GTCCRA Input Capture Enable | 0: GTCCRA input capture disabled on the rising edge of GTIOCB input when GTIOCA input is 1 1: GTCCRA input capture enabled on the rising edge of GTIOCB input when GTIOCA input is 1. | R/W |
| b14 | ASCBFAL | GTIOCB Pin Falling Input during GTIOCA Value Low Source GTCCRA Input Capture Enable | 0: GTCCRA input capture disabled on the falling edge of GTIOCB input when GTIOCA input is 0 1: GTCCRA input capture enabled on the falling edge of GTIOCB input when GTIOCA input is 0. | R/W |
| b15 | ASCBFAH | GTIOCB Pin Falling Input during GTIOCA Value High Source GTCCRA Input Capture Enable | 0: GTCCRA input capture disabled on the falling edge of GTIOCB input when GTIOCA input is 1 1: GTCCRA input capture enabled on the falling edge of GTIOCB input when GTIOCA input is 1. | R/W |
| b16 | ASELCA | ELC_GPTA Event Source GTCCRA Input Capture Enable | 0: GTCCRA input capture disabled on the ELC_GPTA event input 1: GTCCRA input capture enabled on the ELC_GPTA event input. | R/W |
| b17 | ASELCB | ELC_GPTB Event Source GTCCRA Input Capture Enable | 0: GTCCRA input capture disabled on the ELC_GPTB event input 1: GTCCRA input capture enabled on the ELC_GPTB event input. | R/W |
| b18 | ASELCC | ELC_GPTC Event Source GTCCRA Input Capture Enable | 0: GTCCRA input capture disabled on the ELC_GPTC event input 1: GTCCRA input capture enabled on the ELC_GPTC event input. | R/W |
| b19 | ASELCD | ELC_GPTD Event Source GTCCRA Input Capture Enable | 0: GTCCRA input capture disabled on the ELC_GPTD event input 1: GTCCRA input capture enabled on the ELC_GPTD event input. | R/W |

| Bit | Symbol | Bit name | Description | R/W |
|------------|--------|------------------------------------------------------|------------------------------------------------------------------------------------------------------------------------------|-----|
| b20 | ASELCE | ELC_GPTE Event Source GTCCRA Input Capture Enable | 0: GTCCRA input capture disabled at the ELC_GPTE event input 1: GTCCRA input capture enabled at the ELC_GPTE event input. | R/W |
| b21 | ASELCF | ELC_GPTF Event Source GTCCRA Input Capture Enable | 0: GTCCRA input capture disabled at the ELC_GPTF event input 1: GTCCRA input capture enabled at the ELC_GPTF event input. | R/W |
| b22 | ASELCG | ELC_GPTG Event Source GTCCRA Input Capture Enable | 0: GTCCRA input capture disabled at the ELC_GPTG event input 1: GTCCRA input capture enabled at the ELC_GPTG event input. | R/W |
| b23 | ASELCH | ELC_GPTH Event Source GTCCRA Input Capture Enable | 0: GTCCRA input capture disabled at the ELC_GPTH event input 1: GTCCRA input capture enabled at the ELC_GPTH event input. | R/W |
| b31 to b24 | — | Reserved | These bits are read as 0. The write value should be 0. | R/W |

The GTICASR sets the source of input capture for GTCCRA.

ASGTRGAR bit (GTETRGA Pin Rising Input Source GTCCRA Input Capture Enable)

The ASGTRGAR bit enables or disables input capture for GTCCRA on the rising edge of the GTETRGA pin input.

ASGTRGAF bit (GTETRGA Pin Falling Input Source GTCCRA Input Capture Enable)

The ASGTRGAF bit enables or disables input capture for GTCCRA on the falling edge of the GTETRGA pin input.

ASGTRGBR bit (GTETRGB Pin Rising Input Source GTCCRA Input Capture Enable)

The ASGTRGBR bit enables or disables input capture for GTCCRA on the rising edge of the GTETRGB pin input.

ASGTRGBF bit (GTETRGB Pin Falling Input Source GTCCRA Input Capture Enable)

The ASGTRGBF bit enables or disables input capture for GTCCRA on the falling edge of the GTETRGB pin input.

ASCARBL bit (GTIOCA Pin Rising Input during GTIOCB Value Low Source GTCCRA Input Capture Enable)

The ASCARBL bit enables or disables input capture for GTCCRA on the rising edge of the GTIOCA pin input, when the GTIOCB input is 0.

ASCARBH bit (GTIOCA Pin Rising Input during GTIOCB Value High Source GTCCRA Input Capture Enable)

The ASCARBH bit enables or disables input capture for GTCCRA on the rising edge of the GTIOCA pin input, when the GTIOCB input is 1.

ASCAFBL bit (GTIOCA Pin Falling Input during GTIOCB Value Low Source GTCCRA Input Capture Enable)

The ASCAFBL bit enables or disables input capture for GTCCRA on the falling edge of the GTIOCA pin input, when the GTIOCB input is 0.

ASCAFBH bit (GTIOCA Pin Falling Input during GTIOCB Value High Source GTCCRA Input Capture Enable)

The ASCAFBH bit enables or disables input capture for GTCCRA on the falling edge of the GTIOCA pin input, when the GTIOCB input is 1.

ASCBRAL bit (GTIOCB Pin Rising Input during GTIOCA Value Low Source GTCCRA Input Capture Enable)

The ASCBRAL bit enables or disables input capture for GTCCRA on the rising edge of the GTIOCB pin input, when the GTIOCA input is 0.

ASCBRAH bit (GTIOCB Pin Rising Input during GTIOCA Value High Source GTCCRA Input Capture Enable)

The ASCBRAH bit enables or disables input capture for GTCCRA on the rising edge of the GTIOCB pin input, when the GTIOCA input is 1.

ASCBFAL bit (GTIOCB Pin Falling Input during GTIOCA Value Low Source GTCCRA Input Capture Enable)

The ASCBFAL bit enables or disables input capture for GTCCRA on the falling edge of the GTIOCB pin input, when the GTIOCA input is 0.

ASCBFAH bit (GTIOCB Pin Falling Input during GTIOCA Value High Source GTCCRA Input Capture Enable)

The ASCBFAH bit enables or disables input capture for GTCCRA on the falling edge of the GTIOCB pin input, when the GTIOCA input is 1.

ASELCm bit (ELC_GPTm Event Source Counter GTCCRA Input Capture Enable) (m = A to H)

The ASELCm bit enables or disables input capture for GTCCRA at the ELC_GPTm event input.

22.2.11 General PWM Timer Input Capture Source Select Register B(GTICBSR)

Address(es): GPT32m.GTICBSR 4007 8028h + 0100h × m (m = 0 to 1),
GPT16m.GTICBSR 4007 8028h + 0100h × m (m = 2 to 7)

| | | | | | | | | | | | | | | | | |
|--------------------|-------------|-------------|-------------|-------------|-------------|-------------|-------------|-------------|------------|------------|------------|------------|--------------|--------------|--------------|--------------|
| | b31 | b30 | b29 | b28 | b27 | b26 | b25 | b24 | b23 | b22 | b21 | b20 | b19 | b18 | b17 | b16 |
| | — | — | — | — | — | — | — | — | BSELC H | BSELC G | BSELC F | BSELC E | BSELC D | BSELC C | BSELC B | BSELC A |
| Value after reset: | 0 | 0 | 0 | 0 | 0 | 0 | 0 | 0 | 0 | 0 | 0 | 0 | 0 | 0 | 0 | 0 |
| | b15 | b14 | b13 | b12 | b11 | b10 | b9 | b8 | b7 | b6 | b5 | b4 | b3 | b2 | b1 | b0 |
| | BSCBF AH | BSCBF AL | BSCBR AH | BSCBR AL | BSCAF BH | BSCAF BL | BSCAR BH | BSCAR BL | — | — | — | — | BSGTR GBF | BSGTR GBR | BSGTR GAF | BSGTR GAR |
| Value after reset: | 0 | 0 | 0 | 0 | 0 | 0 | 0 | 0 | 0 | 0 | 0 | 0 | 0 | 0 | 0 | 0 |

| Bit | Symbol | Bit name | Description | R/W |
|----------|--------------------------|------------------------------------------------------------------------------------------|------------------------------------------------------------------------------------------------------------------------------------------------------------------------------------------------|-----|
| b0 | BSGTRGAR | GTETRGA Pin Rising Input Source GTCCRB Input Capture Enable | 0: GTCCRB input capture disabled on the rising edge of GTETRGA input 1: GTCCRB input capture enabled on the rising edge of GTETRGA input. | R/W |
| b1 | BSGTRGAF | GTETRGA Pin Falling Input Source GTCCRB Input Capture Enable | 0: GTCCRB input capture disabled on the falling edge of GTETRGA input 1: GTCCRB input capture enabled on the falling edge of GTETRGA input. | R/W |
| b2 | BSGTRGBR | GTETRGB Pin Rising Input Source GTCCRB Input Capture Enable | 0: GTCCRB input capture disabled on the rising edge of GTETRGB input 1: GTCCRB input capture enabled on the rising edge of GTETRGB input. | R/W |
| b3 | BSGTRGBF | GTETRGB Pin Falling Input Source GTCCRB Input Capture Enable | 0: GTCCRB input capture disabled on the falling edge of GTETRGB input 1: GTCCRB input capture enabled on the falling edge of GTETRGB input. | R/W |
| b7 to b4 | — | Reserved | These bits are read as 0. The write value should be 0. | R/W |
| b8 | BSCARBL | GTIOCA Pin Rising Input during GTIOCB Value Low Source GTCCRB Input Capture Enable | 0: GTCCRB input capture disabled on the rising edge of GTIOCA input when GTIOCB input is 0 1: GTCCRB input capture enabled on the rising edge of GTIOCA input when GTIOCB input is 0. | R/W |

| Bit | Symbol | Bit name | Description | R/W |
|-----|----------|-----------------------------------------------------------------------------------------|--------------------------------------------------------------------------------------------------------------------------------------------------------------------------------------------|-----|
| b9 | BSCARBH | GTIOCA Pin Rising Input during GTIOCB Value High Source GTCCRB Input Capture Enable | 0: GTCCRB input capture disabled on the rising edge of GTIOCA input when GTIOCB input is 1 1: GTCCRB input capture enabled on the rising edge of GTIOCA input when GTIOCB input is 1. | R/W |
| b10 | BSCAFBL | GTIOCA Pin Falling Input during GTIOCB Value Low Source GTCCRB Input Capture Enable | 0: GTCCRB input capture disabled on the falling edge of GTIOCA input when GTIOCB input is 0 1: GTCCRB input capture enabled on the falling edge of GTIOCA input when GTIOCB input is 0. | R/W |
| b11 | BSCAFBH | GTIOCA Pin Falling Input during GTIOCB Value High Source GTCCRB Input Capture Enable | 0: GTCCRB input capture disabled on the falling edge of GTIOCA input when GTIOCB input is 1 1: GTCCRB input capture enabled on the falling edge of GTIOCA input when GTIOCB input is 1. | R/W |
| b12 | BSCBRAL | GTIOCB Pin Rising Input during GTIOCA Value Low Source GTCCRB Input Capture Enable | 0: GTCCRB input capture disabled on the rising edge of GTIOCB input when GTIOCA input is 0 1: GTCCRB input capture enabled on the rising edge of GTIOCB input when GTIOCA input is 0. | R/W |
| b13 | BSCBRAH | GTIOCB Pin Rising Input during GTIOCA Value High Source GTCCRB Input Capture Enable | 0: GTCCRB input capture disabled on the rising edge of GTIOCB input when GTIOCA input is 1 1: GTCCRB input capture enabled on the rising edge of GTIOCB input when GTIOCA input is 1. | R/W |
| b14 | BSCBFAL | GTIOCB Pin Falling Input during GTIOCA Value Low Source GTCCRB Input Capture Enable | 0: GTCCRB input capture disabled on the falling edge of GTIOCB input when GTIOCA input is 0 1: GTCCRB input capture enabled on the falling edge of GTIOCB input when GTIOCA input is 0. | R/W |
| b15 | BSCBF AH | GTIOCB Pin Falling Input during GTIOCA Value High Source GTCCRB Input Capture Enable | 0: GTCCRB input capture disabled on the falling edge of GTIOCB input when GTIOCA input is 1 1: GTCCRB input capture enabled on the falling edge of GTIOCB input when GTIOCA input is 1. | R/W |
| b16 | BSELCA | ELC_GPTA Event Source GTCCRB Input Capture Enable | 0: GTCCRB input capture disabled at the ELC_GPTA event input 1: GTCCRB input capture enabled at the ELC_GPTA event input. | R/W |
| b17 | BSELCB | ELC_GPTB Event Source GTCCRB Input Capture Enable | 0: GTCCRB input capture disabled at the ELC_GPTB event input 1: GTCCRB input capture enabled at the ELC_GPTB event input. | R/W |
| b18 | BSELCC | ELC_GPTC Event Source GTCCRB Input Capture Enable | 0: GTCCRB input capture disabled at the ELC_GPTC event input 1: GTCCRB input capture enabled at the ELC_GPTC event input. | R/W |
| b19 | BSELCD | ELC_GPTD Event Source GTCCRB Input Capture Enable | 0: GTCCRB input capture disabled at the ELC_GPTD event input 1: GTCCRB input capture enabled at the ELC_GPTD event input. | R/W |
| b20 | BSELCE | ELC_GPTE Event Source GTCCRB Input Capture Enable | 0: GTCCRB input capture disabled at the ELC_GPTE event input 1: GTCCRB input capture enabled at the ELC_GPTE event input. | R/W |
| b21 | BSELCF | ELC_GPTF Event Source GTCCRB Input Capture Enable | 0: GTCCRB input capture disabled at the ELC_GPTF event input 1: GTCCRB input capture enabled at the ELC_GPTF event input. | R/W |
| b22 | BSELCG | ELC_GPTG Event Source GTCCRB Input Capture Enable | 0: GTCCRB input capture disabled at the ELC_GPTG event input 1: GTCCRB input capture enabled at the ELC_GPTG event input. | R/W |
| b23 | BSELCH | ELC_GPTH Event Source GTCCRB Input Capture Enable | 0: GTCCRB input capture disabled at the ELC_GPTH event input 1: GTCCRB input capture enabled at the ELC_GPTH event input. | R/W |

| Bit | Symbol | Bit name | Description | R/W |
|------------|--------|----------|--------------------------------------------------------|-----|
| b31 to b24 | — | Reserved | These bits are read as 0. The write value should be 0. | R/W |

The GTICBSR sets the source of input capture for GTCCRB.

BSGTRGAR bit (GTETRGA Pin Rising Input Source GTCCRB Input Capture Enable)

The BSGTRGAR bit enables or disables input capture for GTCCRB on the rising edge of the GTETRGA pin input.

BSGTRGAF bit (GTETRGA Pin Falling Input Source GTCCRB Input Capture Enable)

The BSGTRGAF bit enables or disables input capture for GTCCRB on the falling edge of the GTETRGA pin input.

BSGTRGBR bit (GTETRGB Pin Rising Input Source GTCCRB Input Capture Enable)

The BSGTRGBR bit enables or disables input capture for GTCCRB on the rising edge of the GTETRGB pin input.

BSGTRGBF bit (GTETRGB Pin Falling Input Source GTCCRB Input Capture Enable)

The BSGTRGBF bit enables or disables input capture for GTCCRB on the falling edge of the GTETRGB pin input.

BSCARBL bit (GTIOCA Pin Rising Input during GTIOCB Value Low Source GTCCRB Input Capture Enable)

The BSCARBL bit enables or disables input capture for GTCCRB on the rising edge of the GTIOCA pin input, when GTIOCB input is 0.

BSCARBH bit (GTIOCA Pin Rising Input during GTIOCB Value High Source GTCCRB Input Capture Enable)

The BSCARBH bit enables or disables input capture for GTCCRB on the rising edge of the GTIOCA pin input, when GTIOCB input is 1.

BSCAFBL bit (GTIOCA Pin Falling Input during GTIOCB Value Low Source GTCCRB Input Capture Enable)

The BSCAFBL bit enables or disables input capture for GTCCRB on the falling edge of the GTIOCA pin input, when GTIOCB input is 0.

BSCAFBH bit (GTIOCA Pin Falling Input during GTIOCB Value High Source GTCCRB Input Capture Enable)

The BSCAFBH bit enables or disables input capture for GTCCRB on the falling edge of the GTIOCA pin input, when GTIOCB input is 1.

BSCBRAL bit (GTIOCB Pin Rising Input during GTIOCA Value Low Source GTCCRB Input Capture Enable)

The BSCBRAL bit enables or disables input capture for GTCCRB on the rising edge of the GTIOCB pin input, when GTIOCA input is 0.

BSCBRAH bit (GTIOCB Pin Rising Input during GTIOCA Value High Source GTCCRB Input Capture Enable)

The BSCBRAH bit enables or disables input capture for GTCCRB on the rising edge of the GTIOCB pin input, when GTIOCA input is 1.

BSCBFAL bit (GTIOCB Pin Falling Input during GTIOCA Value Low Source GTCCRB Input Capture Enable)

The BSCBFAL bit enables or disables input capture for GTCCRB on the falling edge of the GTIOCB pin input, when GTIOCA input is 0.

BSCBFAH bit (GTIOCB Pin Falling Input during GTIOCA Value High Source GTCCRB Input Capture Enable)

The BSCBFAH bit enables or disables input capture for GTCCRB on the falling edge of the GTIOCB pin input, when

GTIOCA input is 1.

BSELCm bit (ELC_GPTm Event Source Counter GTCCRB Input Capture Enable) (m = A to H)

The BSELCm bit enables or disables input capture for GTCCRB at the ELC_GPTm event input.

22.2.12 General PWM Timer Control Register (GTCR)

Address(es): GPT32m.GTCR 4007 802Ch + 0100h × m (m = 0 to 1),
GPT16m.GTCR 4007 802Ch + 0100h × m (m = 2 to 7)

| | | | | | | | | | | | | | | | |
|----------------------------------------------------|-----|-----|-----|-----|-----------|-----|-----|-----|-----|-----|-----|-----|---------|-----|-----|
| b31 | b30 | b29 | b28 | b27 | b26 | b25 | b24 | b23 | b22 | b21 | b20 | b19 | b18 | b17 | b16 |
| — | — | — | — | — | TPCS[2:0] | | | — | — | — | — | — | MD[2:0] | | |
| Value after reset: 0 0 0 0 0 0 0 0 0 0 0 0 0 0 0 0 | | | | | | | | | | | | | | | |
| b15 | b14 | b13 | b12 | b11 | b10 | b9 | b8 | b7 | b6 | b5 | b4 | b3 | b2 | b1 | b0 |
| — | — | — | — | — | — | — | — | — | — | — | — | — | — | — | CST |
| Value after reset: 0 0 0 0 0 0 0 0 0 0 0 0 0 0 0 0 | | | | | | | | | | | | | | | |

| Bit | Symbol | Bit name | Description | R/W |
|------------|-----------|------------------------|-----------------------------------------------------------------------------------------------------------------------------------------------------------------------------------------------------------------------------------------------------------------------------------------------------------------------------------------------------------------------------------------------------------------------------------------------------------------------------------------------------------------------------------------------------------|-----|
| b0 | CST | Count Start | 0: Count operation is stopped 1: Count operation is performed. | R/W |
| b15 to b1 | — | Reserved | These bits are read as 0. The write value should be 0. | R/W |
| b18 to b16 | MD[2:0] | Mode Select | b18 b16 0 0 0: Saw-wave PWM mode (single buffer or double buffer possible) 0 0 1: Saw-wave one-shot pulse mode (fixed buffer operation) 0 1 0: Setting prohibited 0 1 1: Setting prohibited 1 0 0: Triangle-wave PWM mode 1 (32-bit transfer at trough) (single buffer or double buffer possible) 1 0 1: Triangle-wave PWM mode 2 (32-bit transfer at crest and trough) (single buffer or double buffer possible) 1 1 0: Triangle-wave PWM mode 3 (64-bit transfer at trough) (fixed buffer operation) 1 1 1: Setting prohibited. | R/W |
| b23 to b19 | — | Reserved | These bits are read as 0. The write value should be 0. | R/W |
| b26 to b24 | TPCS[2:0] | Timer Prescaler Select | b26 b24 0 0 0: PCLKD/1 0 0 1: PCLKD/4 0 1 0: PCLKD/16 0 1 1: PCLKD/64 1 0 0: PCLKD/256 1 0 1: PCLKD/1024. | R/W |
| b31 to b27 | — | Reserved | These bits are read as 0. The write value should be 0. | R/W |

The GTCR controls GTCNT.

CST bit (Count Start)

The CST bit controls the GTCNT counter start and stop.

[Setting conditions]

- The GTSTR value where the channel number associated with the bit number is set to 1 with the GTSSR.CSTRT bit at 1.
- The ELC event input or the GTIOCA/GTIOCB/GTETRn port input enabled by GTSSR as the counter start source, occurs.

- 1 is written by software directly.

[Clearing conditions]

- The GTSTP value where the channel number associated with the bit number is set to 1 with the GTSSR.CSTOP bit at 1.
- The ELC event input or the GTIOCA/GTIOCB/GTETR_{Gn} port input enabled by GTSSR as the counter stop source, occurs.
- 0 is written by software directly.

MD[2:0] bits (Mode Select)

The MD[2:0] bits select the GPT operating mode. The MD[2:0] bits must be set while the GTCNT operation is stopped.

TPCS[2:0] bits (Timer Prescaler Select)

The TPCS[2:0] bits select the clock for the GTCNT. A clock prescaler can be selected independently for each channel. TPCS[2:0] bits must be set while the GTCNT operation is stopped.

22.2.13 General PWM Timer Count Direction and Duty Setting Register (GTUDDTYC)

Address(es): GPT32m.GTUDDTYC 4007 8030h + 0100h × m (m = 0 to 1),
GPT16m.GTUDDTYC 4007 8030h + 0100h × m (m = 2 to 7)

| | | | | | | | | | | | | | | | |
|--------------------|-----|-----|-----|--------------------|--------------------|------------|-----|-----|-----|-----|--------------------|--------------------|------------|-----|-----|
| b31 | b30 | b29 | b28 | b27 | b26 | b25 | b24 | b23 | b22 | b21 | b20 | b19 | b18 | b17 | b16 |
| — | — | — | — | OBDTY _R | OBDTY _F | OBDTY[1:0] | — | — | — | — | OADTY _R | OADTY _F | OADTY[1:0] | — | — |
| 0 | 0 | 0 | 0 | 0 | 0 | 0 | 0 | 0 | 0 | 0 | 0 | 0 | 0 | 0 | 0 |
| Value after reset: | | | | | | | | | | | | | | | |
| b15 | b14 | b13 | b12 | b11 | b10 | b9 | b8 | b7 | b6 | b5 | b4 | b3 | b2 | b1 | b0 |
| — | — | — | — | — | — | — | — | — | — | — | — | — | — | UDF | UD |
| 0 | 0 | 0 | 0 | 0 | 0 | 0 | 0 | 0 | 0 | 0 | 0 | 0 | 0 | 0 | 1 |
| Value after reset: | | | | | | | | | | | | | | | |

| Bit | Symbol | Bit name | Description | R/W |
|------------|------------|--------------------------------------------------------------------|------------------------------------------------------------------------------------------------------------------------------------------------------------------------------------------------------------------|-----|
| b0 | UD | Count Direction Setting | 0: GTCNT counts down 1: GTCNT counts up. | R/W |
| b1 | UDF | Forcible Count Direction Setting | 0: Not forcibly set 1: Forcibly set. | R/W |
| b15 to b2 | — | Reserved | These bits are read as 0. The write value should be 0. | R/W |
| b17, 16 | OADTY[1:0] | GTIOCA Output Duty Setting | b17 b16 0 x: GTIOCA pin duty depends on compare match 1 0: GTIOCA pin duty 0% 1 1: GTIOCA pin duty 100%. | R/W |
| b18 | OADTYF | Forcible GTIOCA Output Duty Setting | 0: Not forcibly set 1: Forcibly set. | R/W |
| b19 | OADTYR | GTIOCA Output Value Selecting after Releasing 0%/100% Duty Setting | 0: Apply output value set in 0%/100% duty to GTIOA[3:2] function after releasing 0%/100% duty setting 1: Apply masked compare match output value to GTIOA[3:2] function after releasing 0%/100% duty setting. | R/W |
| b23 to b20 | — | Reserved | These bits are read as 0. The write value should be 0. | R/W |
| b25, b24 | OBDTY[1:0] | GTIOCB Output Duty Setting | b25 b24 0 x: GTIOCB pin duty depends on compare match 1 0: GTIOCB pin duty 0% 1 1: GTIOCB pin duty 100%. | R/W |
| b26 | OBDTYF | Forcible GTIOCB Output Duty Setting | 0: Not forcibly set 1: Forcibly set. | R/W |

| Bit | Symbol | Bit name | Description | R/W |
|------------|--------|--------------------------------------------------------------------|------------------------------------------------------------------------------------------------------------------------------------------------------------------------------------------------------------------|-----|
| b27 | OBPTYR | GTIOCB Output Value Selecting after Releasing 0%/100% Duty Setting | 0: Apply output value set in 0%/100% duty to GTIOB[3:2] function after releasing 0%/100% duty setting 1: Apply masked compare match output value to GTIOB[3:2] function after releasing 0%/100% duty setting. | R/W |
| b31 to b28 | — | Reserved | These bits are read as 0. The write value should be 0. | R/W |

x: Don't care

GTUDDTYC sets the direction in which GTCNT counts (up-counting or down-counting), and sets the duty of the GTIOCA/GTIOCB pin output.

Count Direction:

- In saw-wave mode

When the UD value is set to 0 during up-counting, the count direction changes at an overflow (the timing synchronous with count clock after the GTCNT value becomes the GTPR value). When the UD value is set to 1 during down-counting, the count direction changes at an underflow (the timing synchronous with count clock after the GTCNT value becomes 0).

When the UD value changes from 1 to 0 with the UDF bit at 0 and while counting stops, the counter starts up-counting and the count direction changes at an overflow (the timing synchronous with count clock after the GTCNT value becomes GTPR value). When the UD value changes from 0 to 1 with the UDF bit at 0 and while counting stops, the counter starts down-counting and the count direction changes at an underflow (the timing synchronous with count clock after the GTCNT value becomes 0).

When the UDF bit is set to 1 while counting stops, the UD bit value is reflected in the count direction when counting starts.

- In triangle-wave mode

When the UD value changes during counting, the count direction does not change. When the UD value changes while the UDF bit is 0 and counting stops, the change is not reflected in the count direction when counting starts.

When the UDF bit is set to 1 while counting stops, the UD value is reflected in the count direction when counting starts.

UD bit (Count Direction Setting)

The UD bit sets the count direction (up-counting or down-counting) for GTCNT.

UDF bit (Forcible Count Direction Setting)

The UDF bit forcibly sets the count direction when GTCNT starts operation as the UD value. Only write 0 to this bit during counter operation. When 1 is written to this bit while counting stops, return this bit to 0 before counting starts.

Output duty

- In saw-wave mode

When the OADTY/OBDTY value changes during up-counting, the duty is reflected at an overflow (GTCNT = GTPR). When the OADTY/OBDTY value changes during down-counting, the duty is reflected at an underflow (GTCNT = 0).

When the OADTY/OBDTY value changes to 1 with the OADTYF/OBDTYF bit at 0 and while counting stops, the output duty is not reflected at the starting counter operation. When the count direction is up, the output duty is reflected at an overflow (GTCNT = GTPR). When the count direction is down, the output duty is reflected at an underflow (GTCNT = 0). When the OADTY/OBDTY value changes to 0 with the OADTYF/OBDTYF bit at 1 and while counting is stopped, the output duty is reflected at the starting counter operation.

- In triangle-wave mode

When the OADTY/OBDTY value changes during counting, the duty is reflected at an underflow. When the OADTY/OBDTY value changes to 1 with the OADTYF/OBDTYF bit at 0 and while counting stops, the output duty is not reflected at the starting counter operation, however, the output duty is reflected at an underflow. When the OADTY/OBDTY value changes to 0 with the OADTYF/OBDTYF bit at 1 and while counting stops, the output duty is reflected at the starting counter operation.

OmDTY[1:0] bits (GTIOCm Output Duty Setting) (m = A, B)

The OmDTY[1:0] bits set the output duty of the GTIOCm pin to 0%, 100% or compare match control.

OmDTYF bit (Forcible GTIOCm Output Duty Setting) (m = A, B)

The OmDTYF bit forcibly sets the output duty cycle to the OmDTY setting. Set this bit to 0 during counter operation. When this bit is set to 1 while counting stops, this bit must be returned to 0 until the first period ends after the counter starts.

OmDTYR bit (GTIOCm Output Value Selecting after Releasing 0%/100% Duty Setting) (m = A, B)

The OmDTYR bit selects the value that is the object of the output retained or toggled at the cycle end, when the control changes from 0%/100% duty setting to compare match for GTIOCm pin and GTIOR. The GTIOM[3:2] bits are set to 00b (output retained at cycle end) or GTIOR.GTIOM[3:2] bits are set to 11b (output toggled at cycle end).

While the duty 0%/100% setting operation is running, the compare match operation continues inside the GPT32. When the OmDTYR bit is set to 1, the GTIOCm pin is in the output state selected by the GTIOR.GTIOM [3:2] bit at the end of the cycle in the compare match operation.

22.2.14 General PWM Timer I/O Control Register (GTIOR)

Address(es): GPT32m.GTIOR 4007 8034h + 0100h × m (m = 0 to 1),
GPT16m.GTIOR 4007 8034h + 0100h × m (m = 2 to 7)

| | | | | | | | | | | | | | | | |
|----------------------------------------------------|-----|-------|-----|-----|-----------|-----|-----|-------|---------------------|-----|------------|-----|-----|-----|-----|
| b31 | b30 | b29 | b28 | b27 | b26 | b25 | b24 | b23 | b22 | b21 | b20 | b19 | b18 | b17 | b16 |
| NFCSB[1:0] | | NFBEN | — | — | OBDF[1:0] | | OBE | OBHLD | OBD _T FL | — | GTIOB[4:0] | | | | |
| Value after reset: 0 0 0 0 0 0 0 0 0 0 0 0 0 0 0 0 | | | | | | | | | | | | | | | |
| b15 | b14 | b13 | b12 | b11 | b10 | b9 | b8 | b7 | b6 | b5 | b4 | b3 | b2 | b1 | b0 |
| NFCSA[1:0] | | NFAEN | — | — | OADF[1:0] | | OAE | OAHL | OAD _T FL | — | GTIOA[4:0] | | | | |
| Value after reset: 0 0 0 0 0 0 0 0 0 0 0 0 0 0 0 0 | | | | | | | | | | | | | | | |

| Bit | Symbol | Bit name | Description | R/W |
|------------|----------------------------|---------------------------------------------------|----------------------------------------------------------------------------------------------------------------------------------------------------------------------------------------------------|-----|
| b4 to b0 | GTIOA[4:0] | GTIOCA Pin Function Select | See Table 22.5 . | R/W |
| b5 | — | Reserved | This bit is read as 0. The write value should be 0. | R/W |
| b6 | OADFLT | GTIOCA Pin Output Value Setting at the Count Stop | 0: The GTIOCA pin outputs low when counting stops 1: The GTIOCA pin outputs high when counting stops. | R/W |
| b7 | OAHL | GTIOCA Pin Output Setting at the Start/Stop Count | 0: The GTIOCA pin output level at the start/stop of counting depends on the register setting 1: The GTIOCA pin output level is retained at the start/stop of counting. | R/W |
| b8 | OAE | GTIOCA Pin Output Enable | 0: Output is disabled 1: Output is enabled. | R/W |
| b10, b9 | OADF[1:0] | GTIOCA Pin Disable Value Setting | b10 b9 0 0: Output-disable is prohibited 0 1: GTIOCA pin is set to Hi-Z on output-disable 1 0: GTIOCA pin is set to 0 on output-disable 1 1: GTIOCA pin is set to 1 on output-disable. | R/W |
| b12, b11 | — | Reserved | These bits are read as 0. The write value should be 0. | R/W |
| b13 | NFAEN | Noise Filter A Enable | 0: The noise filter for the GTIOCA pin disabled 1: The noise filter for the GTIOCA pin enabled. | R/W |
| b15, b14 | NFCSA[1:0] | Noise Filter A Sampling Clock Select | b15 b14 0 0: PCLKD/1 0 1: PCLKD/4 1 0: PCLKD/16 1 1: PCLKD/64. | R/W |
| b20 to b16 | GTIOB[4:0] | GTIOCB Pin Function Select | See Table 22.5 . | R/W |

| Bit | Symbol | Bit name | Description | R/W |
|----------|------------------|---------------------------------------------------|-----------------------------------------------------------------------------------------------------------------------------------------------------------------------------------------------------------------------|-----|
| b21 | — | Reserved | This bit is read as 0. The write value should be 0. | R/W |
| b22 | OBDFLT | GTIOCB Pin Output Value Setting at the Count Stop | 0: The GTIOCB pin outputs low when counting stops 1: The GTIOCB pin outputs high when counting stops. | R/W |
| b23 | OBHLD | GTIOCB Pin Output Setting at the Start/Stop Count | 0: The GTIOCB pin output level at the start/stop of counting depends on the register setting 1: The GTIOCB pin output level is retained at the start/stop of counting. | R/W |
| b24 | OBE | GTIOCB Pin Output Enable | 0: Output is disabled 1: Output is enabled. | R/W |
| b26, b25 | OBDF[1:0] | GTIOCB Pin Disable Value Setting | b26 b25 0 0: Output-disable is prohibited 0 1: GTIOCB pin is set to Hi-Z when output is disabled 1 0: GTIOCB pin is set to 0 when output is disabled 1 1: GTIOCB pin is set to 1 when output is disabled. | R/W |
| b28, b27 | — | Reserved | These bits are read as 0. The write value should be 0. | R/W |
| b29 | NFBEN | Noise Filter B Enable | 0: The noise filter for the GTIOCB pin is disabled 1: The noise filter for the GTIOCB pin is enabled. | R/W |
| b31, b30 | NFCB[1:0] | Noise Filter B Sampling Clock Select | b31 b30 0 0: PCLKD/1 0 1: PCLKD/4 1 0: PCLKD/16 1 1: PCLKD/64. | R/W |

The GTIOR sets the functions of the GTIOCA and GTIOCB pins.

GTIOA[4:0] bits (GTIOCA Pin Function Select)

The GTIOA[4:0] bits select the GTIOCA pin function. For details, see [Table 22.5](#).

OADFLT bit (GTIOCA Pin Output Value Setting at the Count Stop)

The OADFLT bit sets whether the GTIOCA pin outputs high or low when counting stops.

OAHLD bit (GTIOCA Pin Output Setting at the Start/Stop Count)

The OAHLD bit specifies whether the GTIOCA pin output level is retained or the level at the start/stop of counting depends on the register setting.

When the OAHLD bit is set to 0:

- The value specified in bit [4] of the GTIOA[4:0] bits is output when counting starts
- The value specified in the OADFLT bit is output when counting stops
- If the OADFLT bit is modified while counting stops, the new value is immediately reflected in the output.

When the OAHLD bit is set to 1:

- The output is retained when counting starts or stops.

OAE bit (GTIOCA Pin Output Enable)

The OAE bit disables or enables the GTIOCA pin output.

When the GTCCRA register is used as the input capture register (at least one bit in the GTICASR register is set to 1), the GTIOCA pin does not output regardless of the OAE bit value.

OADF[1:0] bits (GTIOCA Pin Disable Value Setting)

The OADF[1:0] bits select the output value of the GTIOCA pin when an output-disable request occurs.

NFAEN bit (Noise Filter A Enable)

The NFAEN bit disables or enables the noise filter for input from the GTIOCA pin. Because changing the value of the bit might lead to internal generation of an unexpected edge, select the output compare function for the relevant pin in the GTIOR register before doing so.

NFCSA[1:0] bits (Noise Filter A Sampling Clock Select)

The NFCSA[1:0] bits set the sampling interval for the noise filter of the GTIOCA pin. When setting these bits, wait for 2 cycles of the selected sampling interval before setting the input capture function.

GTIOB[4:0] bits (GTIOCB Pin Function Select)

The GTIOB[4:0] bits select the GTIOCB pin function. For details, see [Table 22.5](#).

OBDFLT bit (GTIOCB Pin Output Value Setting at the Count Stop)

The OBDFLT bit sets whether the GTIOCB pin outputs high or low when counting stops.

OBHLD bit (GTIOCB Pin Output Setting at the Start/Stop Count)

The OBHLD bit specifies whether the GTIOCB pin output level is retained or the level at the start/stop of counting depends on the register setting.

When the OBHLD bit is set to 0:

- The value specified in bit [4] of the GTIOB[4:0] bits is output when counting starts
- The value specified in the OBDFLT bit is output when counting stops
- If the OBDFLT bit is modified while counting stops, the new value is immediately reflected in the output.

When the OBHLD bit is set to 1:

- The output is retained when counting starts or stops.

OBE bit (GTIOCB Pin Output Enable)

The OBE bit disables or enables the GTIOCB pin output.

When GTCCRB register is used as the input capture register (at least one bit in GTICBSR register is set to 1), the GTIOCB pin does not output regardless of the OBE bit value.

OBDF[1:0] bits (GTIOCB Pin Disable Value Setting)

The OBDF[1:0] bits select the output value of GTIOCB pin when an output-disable request occurs.

NFBEN bit (Noise Filter B Enable)

The NFBEN bit disables or enables the noise filter for input from the GTIOCB pin. Because changing the value of the bit might lead to the internal generation of an unexpected edge, select the output compare function for the relevant pin in the GTIOR register before doing so.

NFCSB[1:0] bits (Noise Filter B Sampling Clock Select)

The NFCSB[1:0] bits set the sampling interval for the noise filter of the GTIOCB pin. When setting these bits, wait for 2 cycles of the selected sampling interval before setting the input-capture function.

Table 22.5 Settings of GTIOA[4:0] and GTIOB[4:0] bits

| GTIOA/GTIOB[4:0] bits | | | | | Function | | |
|-----------------------|----|----|----|----|----------------------------|----------------------------|------------------------------------------------|
| b4 | b3 | b2 | b1 | b0 | b4 | b3, b2*1,*2,*3 | b1, b0*2 |
| 0 | 0 | 0 | 0 | 0 | Initial output is low | Retain output at cycle end | Output retained at GTCCRA/GTCCRB compare match |
| 0 | 0 | 0 | 0 | 1 | | | Low output at GTCCRA/GTCCRB compare match |
| 0 | 0 | 0 | 1 | 0 | | | High output at GTCCRA/GTCCRB compare match |
| 0 | 0 | 0 | 1 | 1 | | | Output toggled at GTCCRA/GTCCRB compare match |
| 0 | 0 | 1 | 0 | 0 | Low output at cycle end | Low output at cycle end | Output retained at GTCCRA/GTCCRB compare match |
| 0 | 0 | 1 | 0 | 1 | | | Low output at GTCCRA/GTCCRB compare match |
| 0 | 0 | 1 | 1 | 0 | | | High output at GTCCRA/GTCCRB compare match |
| 0 | 0 | 1 | 1 | 1 | | | Output toggled at GTCCRA/GTCCRB compare match |
| 0 | 1 | 0 | 0 | 0 | High output at cycle end | High output at cycle end | Output retained at GTCCRA/GTCCRB compare match |
| 0 | 1 | 0 | 0 | 1 | | | Low output at GTCCRA/GTCCRB compare match |
| 0 | 1 | 0 | 1 | 0 | | | High output at GTCCRA/GTCCRB compare match |
| 0 | 1 | 0 | 1 | 1 | | | Output toggled at GTCCRA/GTCCRB compare match |
| 0 | 1 | 1 | 0 | 0 | Toggle output at cycle end | Toggle output at cycle end | Output retained at GTCCRA/GTCCRB compare match |
| 0 | 1 | 1 | 0 | 1 | | | Low output at GTCCRA/GTCCRB compare match |
| 0 | 1 | 1 | 1 | 0 | | | High output at GTCCRA/GTCCRB compare match |
| 0 | 1 | 1 | 1 | 1 | | | Output toggled at GTCCRA/GTCCRB compare match |
| 1 | 0 | 0 | 0 | 0 | Initial output is high | Retain output at cycle end | Output retained at GTCCRA/GTCCRB compare match |
| 1 | 0 | 0 | 0 | 1 | | | Low output at GTCCRA/GTCCRB compare match |
| 1 | 0 | 0 | 1 | 0 | | | High output at GTCCRA/GTCCRB compare match |
| 1 | 0 | 0 | 1 | 1 | | | Output toggled at GTCCRA/GTCCRB compare match |
| 1 | 0 | 1 | 0 | 0 | Low output at cycle end | Low output at cycle end | Output retained at GTCCRA/GTCCRB compare match |
| 1 | 0 | 1 | 0 | 1 | | | Low output at GTCCRA/GTCCRB compare match |
| 1 | 0 | 1 | 1 | 0 | | | High output at GTCCRA/GTCCRB compare match |
| 1 | 0 | 1 | 1 | 1 | | | Output toggled at GTCCRA/GTCCRB compare match |
| 1 | 1 | 0 | 0 | 0 | High output at cycle end | High output at cycle end | Output retained at GTCCRA/GTCCRB compare match |
| 1 | 1 | 0 | 0 | 1 | | | Low output at GTCCRA/GTCCRB compare match |
| 1 | 1 | 0 | 1 | 0 | | | High output at GTCCRA/GTCCRB compare match |
| 1 | 1 | 0 | 1 | 1 | | | Output toggled at GTCCRA/GTCCRB compare match |
| 1 | 1 | 1 | 0 | 0 | Toggle output at cycle end | Toggle output at cycle end | Output retained at GTCCRA/GTCCRB compare match |
| 1 | 1 | 1 | 0 | 1 | | | Low output at GTCCRA/GTCCRB compare match |
| 1 | 1 | 1 | 1 | 0 | | | High output at GTCCRA/GTCCRB compare match |
| 1 | 1 | 1 | 1 | 1 | | | Output toggled at GTCCRA/GTCCRB compare match |

Note 1. The cycle end means an overflow (GTCNT changes from GTPR to 0 in up-counting) or underflow (GTCNT changes from 0 to GTPR in down-counting). The GTCNT counter is cleared for saw waves and for the trough (GTCNT changes from 0 to 1) for triangle waves.

Note 2. When the timing of a cycle end and the timing of a GTCCRA/GTCCRB compare match are the same in a compare-match operation, the b3 and b2 settings are given priority in saw-wave PWM mode, and the b1 and b0 settings are given priority in any other mode.

Note 3. In event count operation where at least one bit in GTUPSR or GTDNSR is set to 1, the setting of b3 and b2 is ignored.

22.2.15 General PWM Timer Interrupt Output Setting Register (GTINTAD)

Address(es): GPT32m.GTINTAD 4007 8038h + 0100h × m (m = 0 to 1),
GPT16m.GTINTAD 4007 8038h + 0100h × m (m = 2 to 7)

| | | | | | | | | | | | | | | | |
|----------------------------------------------------|--------|--------|-----|-----|-----|----------|-----|-----|-----|-----|-----|-----|-----|-----|-----|
| b31 | b30 | b29 | b28 | b27 | b26 | b25 | b24 | b23 | b22 | b21 | b20 | b19 | b18 | b17 | b16 |
| — | GRPABL | GRPABH | — | — | — | GRP[1:0] | — | — | — | — | — | — | — | — | — |
| Value after reset: 0 0 0 0 0 0 0 0 0 0 0 0 0 0 0 0 | | | | | | | | | | | | | | | |
| b15 | b14 | b13 | b12 | b11 | b10 | b9 | b8 | b7 | b6 | b5 | b4 | b3 | b2 | b1 | b0 |
| — | — | — | — | — | — | — | — | — | — | — | — | — | — | — | — |
| Value after reset: 0 0 0 0 0 0 0 0 0 0 0 0 0 0 0 0 | | | | | | | | | | | | | | | |

| Bit | Symbol | Bit name | Description | R/W |
|------------|----------|----------------------------------------------------|--------------------------------------------------------------------------------------------------------------------|-----|
| b23 to b0 | — | Reserved | These bits are read as 0. The write value should be 0. | R/W |
| b25, b24 | GRP[1:0] | Output-Disable Source Select | b25 b24 0 0: Group A output-disable request 0 1: Group B output-disable request 1 x: Setting prohibited. | R/W |
| b28 to b26 | — | Reserved | These bits are read as 0. The write value should be 0. | R/W |
| b29 | GRPABH | Same Time Output Level High Disable Request Enable | 0: Same time output level high disable request disabled 1: Same time output level high disable request enabled. | R/W |
| b30 | GRPABL | Same Time Output Level Low Disable Request Enable | 0: Same time output level low disable request disabled 1: Same time output level low disable request enabled. | R/W |
| b31 | — | Reserved | This bit is read as 0. The write value should be 0. | R/W |

The GTINTAD enables or disables interrupt requests and output-disable requests.

GRP[1:0] bits (Output-Disable Source Select)

The GRP[1:0] bits select the GTIOCA pin or GTIOCB pin as the output-disable source. The output disable request to POEG outputs to group A or B when same time output level high is enabled in GRPABH, or same time output level low is enabled in GRPABL.

GTST.ODF shows the request of the output -disable source group that is selected with the GRP[1:0] bits. The GRP[1:0] bits should be set when both GTIOR.OAE and GTIOR.OBE bits are 0.

GRPABH bit (Same Time Output Level High Disable Request Enable)

The GRPABH bit enables or disables the output-disable request when the GTIOCA and GTIOCB pins output 1 at the same time.

GRPABL bit (Same Time Output Level Low Disable Request Enable)

The GRPABL bit enables or disables the output-disable request when the GTIOCA and GTIOCB pins output 0 at the same time.

22.2.16 General PWM Timer Status Register (GTST)

Address(es): GPT32m.GTST 4007 803Ch + 0100h × m (m = 0 to 1),
GPT16m.GTST 4007 803Ch + 0100h × m (m = 2 to 7)

| | | | | | | | | | | | | | | | |
|----------------------------------------------------|-------|-------|-----|-----|-----|-----|-----|-------|-------|------|------|------|------|------|------|
| b31 | b30 | b29 | b28 | b27 | b26 | b25 | b24 | b23 | b22 | b21 | b20 | b19 | b18 | b17 | b16 |
| — | OABLF | OABHF | — | — | — | — | ODF | — | — | — | — | — | — | — | — |
| Value after reset: 0 0 0 0 0 0 0 0 0 0 0 0 0 0 0 0 | | | | | | | | | | | | | | | |
| b15 | b14 | b13 | b12 | b11 | b10 | b9 | b8 | b7 | b6 | b5 | b4 | b3 | b2 | b1 | b0 |
| TUCF | — | — | — | — | — | — | — | TCFPU | TCFPO | TCFF | TCFE | TCFD | TCFC | TCFB | TCFA |
| Value after reset: 1 0 0 0 0 0 0 0 0 0 0 0 0 0 0 0 | | | | | | | | | | | | | | | |

| Bit | Symbol | Bit name | Description | R/W |
|------------|--------|------------------------------------|-----------------------------------------------------------------------------------------------------------------------|---------|
| b0 | TCFA | Input Capture/Compare Match Flag A | 0: No input capture/compare match of GTCCRA is generated 1: An input capture/compare match of GTCCRA is generated. | R/(W)*1 |
| b1 | TCFB | Input Capture/Compare Match Flag B | 0: No input capture/compare match of GTCCRB is generated 1: An input capture/compare match of GTCCRB is generated. | R/(W)*1 |
| b2 | TCFC | Input Compare Match Flag C | 0: No compare match of GTCCRC is generated 1: A compare match of GTCCRC is generated. | R/(W)*1 |
| b3 | TCFD | Input Compare Match Flag D | 0: No compare match of GTCCRD is generated 1: A compare match of GTCCRD is generated. | R/(W)*1 |
| b4 | TCFE | Input Compare Match Flag E | 0: No compare match of GTCCRE is generated 1: A compare match of GTCCRE is generated. | R/(W)*1 |
| b5 | TCFF | Input Compare Match Flag F | 0: No compare match of GTCCRF is generated 1: A compare match of GTCCRF is generated. | R/(W)*1 |
| b6 | TCFPO | Overflow Flag | 0: No overflow (crest) occurred 1: An overflow (crest) occurred. | R/(W)*1 |
| b7 | TCFPU | Underflow Flag | 0: No underflow (trough) occurred 1: An underflow (trough) occurred. | R/(W)*1 |
| b14 to b8 | — | Reserved | These bits are read as 0. The write value should be 0. | R/W |
| b15 | TUCF | Count Direction Flag | 0: The GTCNT counter counts downward 1: The GTCNT counter counts upward. | R |
| b23 to b16 | — | Reserved | These bits are read as 0. The write value should be 0. | R/W |
| b24 | ODF | Output Disable Flag | 0: No output disable request is generated 1: An output disable request is generated. | R |
| b28 to b25 | — | Reserved | These bits are read as 0. The write value should be 0. | R/W |
| b29 | OABHF | Same Time Output Level High Flag | 0: GTIOCA and GTIOCB pins do not output 1 at the same time 1: GTIOCA and GTIOCB pins output 1 at the same time. | R |
| b30 | OABLF | Same Time Output Level Low Flag | 0: GTIOCA and GTIOCB pins do not output 0 at the same time 1: GTIOCA and GTIOCB pins output 0 at the same time. | R |
| b31 | — | Reserved | This bit is read as 0. The write value should be 0. | R/W |

Note 1. Only 0 can be written to this bit. Do not write 1.

The GTST register indicates the status of the GPT.

TCFA flag (Input Capture/Compare Match Flag A)

TCFA is the status flag for the input capture or compare match of GTCCRA.

[Setting conditions]

- GTCNT = GTCCRA when the GTCCRA register functions as a compare match register
- The GTCNT counter value is transferred to GTCCRA by the input capture signal when the GTCCRA register functions as an input capture register.

[Clearing condition]

- 0 is written to this flag.

TCFB flag (Input Capture/Compare Match Flag B)

TCFB is the status flag for the input capture or compare match of GTCCRB.

[Setting conditions]

- $GTCNT = GTCCRB$, when the GTCCRB register functions as a compare match register
- GTCNT counter value is transferred to GTCCRB by the input capture signal when the GTCCRB register functions as an input capture register.

[Clearing condition]

- 0 is written to this flag.

TCFC flag (Input Compare Match Flag C)

TCFC is the status flag for the compare match of GTCCRC.

[Setting condition]

- $GTCNT = GTCCRC$.

[Clearing condition]

- 0 is written to this flag.

[Not comparing condition]

- $GTCR.MD[2:0] = 001b$ (saw-wave one-shot pulse mode)
- $GTCR.MD[2:0] = 110b$ (triangle-wave PWM mode 3)
- $GTBER.CCRA[1:0] = 01b, 10b, 11b$ (GTCCRC performs buffer operation).

TCFD flag (Input Compare Match Flag D)

TCFD is the status flag for the compare match of GTCCRD.

[Setting condition]

- $GTCNT = GTCCRD$.

[Clearing condition]

- 0 is written to this flag.

[Not comparing condition]

- $GTCR.MD[2:0] = 001b$ (saw-wave one-shot pulse mode)
- $GTCR.MD[2:0] = 110b$ (triangle-wave PWM mode 3)
- $GTBER.CCRA[1:0] = 10b, 11b$ (GTCCRD performs buffer operation).

TCFE flag (Input Compare Match Flag E)

TCFE is the status flag for the compare match of GTCCRE.

[Setting condition]

- $GTCNT = GTCCRE$.

[Clearing condition]

- 0 is written to this flag.

[Not comparing condition]

- $GTCR.MD[2:0] = 001b$ (saw-wave one-shot pulse mode)
- $GTCR.MD[2:0] = 110b$ (triangle-wave PWM mode 3)

- $GTBER.CCRB[1:0] = 01b, 10b, 11b$ (GTCCRE performs buffer operation).

TCFF flag (Input Compare Match Flag F)

TCFF is the status flag for the compare match of GTCCRF.

[Setting condition]

- $GTCNT = GTCCRF$.

[Clearing condition]

- 0 is written to this flag.

[Not comparing condition]

- $GTCR.MD[2:0] = 001b$ (saw-wave one-shot pulse mode)
- $GTCR.MD[2:0] = 110b$ (triangle-wave PWM mode 3)
- $GTBER.CCRB[1:0] = 10b, 11b$ (GTCCRF performs buffer operation).

TCFPO flag (Overflow Flag)

The TCFPO flag indicates when an overflow or a crest has occurred.

[Setting conditions]

- In saw-wave mode, an overflow (GTCNT changes from GTPR to 0 in up-counting) has occurred
- In triangle-wave mode, a crest (GTCNT changes from GTPR to GTPR-1) has occurred
- In counting by hardware sources, an overflow (GTCNT changes from GTPR to 0 in up-counting) has occurred.

[Clearing condition]

- 0 is written to this flag.

TCFPU flag (Underflow Flag)

The TCFPU flag indicates when an underflow or a trough has occurred.

[Setting conditions]

- In saw-wave mode, an underflow (GTCNT changes from 0 to GTPR in down-counting) has occurred
- In triangle-wave mode, a trough (GTCNT changes from 0 to 1) has occurred
- In counting by hardware sources, an underflow (GTCNT changes from 0 to GTPR in down-counting) has occurred.

[Clearing condition]

- 0 is written to this flag.

TUCF flag (Count Direction Flag)

The TUCF flag indicates the count direction of GTCNT. In event count operation, this flag is set to 1 in up-counting and to 0 in down-counting.

ODF flag (Output Disable Flag)

The ODF flag shows the request of the output disable source group that is selected by $GRP[1:0]$ bits.

When output is disabled, an output disable control is not released within the same in which an output-disable request is negated. It is released in the next cycle.

OABHF flag (Same Time Output Level High Flag)

The OABHF flag indicates that the GTIOCA and GTIOCB pins output 1 at the same time.

When the GTIOCA pin or GTIOCB pin outputs 0, this flag returns to 0. This flag is read only. Writing 0 to clear the flag is prohibited.

When an interrupt by the OABHF flag is enabled ($GTINTAD.GRPABH = 1$), the OABHF flag is output to POEG as the

output-disable request.

[Setting condition]

- The GTIOCA and GTIOCB pins output 1 at the same time when both OAE and OBE bits are set to 1.

[Clearing conditions]

- The GTIOCA pin output value is different from GTIOCB pin output value when both OAE and OBE bits are set to 1
- The GTIOCA and GTIOCB pins output 0 at the same time when both OAE and OBE bits are set to 1
- Either the OAE bit or OBE bit is set to 0.

OABLF flag (Same Time Output Level Low Flag)

The OABLF flag indicates that the GTIOCA and GTIOCB pins output 0 at the same time.

When the GTIOCA or GTIOCB pin outputs 1, this flag returns to 0. This flag is read only. Writing 0 to clear the flag is prohibited. When an interrupt by the OABLF flag is enabled (GTINTAD.GRPABL = 1), the OABLF flag is output to the POEG as the output-disable request.

[Setting condition]

- The GTIOCA and GTIOCB pins output 0 at the same time when both the OAE and OBE bits are set to 1.

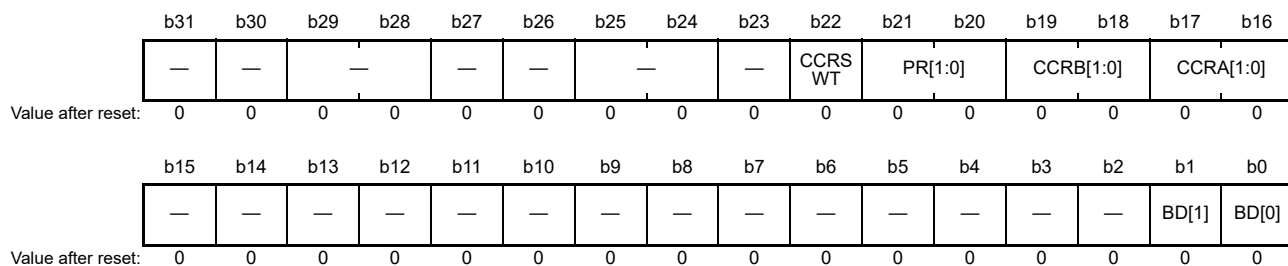
[Clearing conditions]

- The GTIOCA pin output value is different from the GTIOCB pin output value when both OAE and OBE bits are set to 1
- The GTIOCA and GTIOCB pins output 1 at the same time when both OAE and OBE bits are set to 1
- Either the OAE bit or the OBE bit is set to 0.

The compare-target signals to generate the OABHF/OABLF flag are the compare match outputs (PWM outputs) signals before they are masked by the output-disable function. When the output-disable state is active, a compare match is performed continuously in the GPT and the OABHF/OABLF flag is updated in association with the result of the compared value.

22.2.17 General PWM Timer Buffer Enable Register (GTBER)

Address(es): GPT32m.GTBER 4007 8040h + 0100h × m (m = 0 to 1),
GPT16m.GTBER 4007 8040h + 0100h × m (m = 2 to 7)



| Bit | Symbol | Bit name | Description | R/W |
|-----------|-----------|--------------------------------|---------------------------------------------------------------------------------------------------------------------------------------------------|-----|
| b0 | BD[0] | GTCCR Buffer Operation Disable | 0: Buffer operation is enabled 1: Buffer operation is disabled. | R/W |
| b1 | BD[1] | GTPR Buffer Operation Disable | 1: Buffer operation is disabled. | R/W |
| b15 to b2 | — | Reserved | These bits are read as 0. The write value should be 0. | R/W |
| b17, b16 | CCRA[1:0] | GTCCRA Buffer Operation | b17 b16 0 0: No buffer operation 0 1: Single buffer operation (GTCCRA ↔ GTCCRC) 1 x: Double buffer operation (GTCCRA ↔ GTCCRC ↔ GTCCRD). | R/W |

| Bit | Symbol | Bit name | Description | R/W |
|------------|-----------|---------------------------------------------|-----------------------------------------------------------------------------------------------------------------------------------------------------|-----|
| b19, b18 | CCRB[1:0] | GTCCRB Buffer Operation | b19 b18 0 0: No buffer operation 0 1: Single buffer operation (GTCCRB ↔ GTCCRE) 1 x: Double buffer operation (GTCCRB ↔ GTCCRE ↔ GTCCRF). | R/W |
| b21, b20 | PR[1:0] | GTPR Buffer Operation | b21 b20 0 0: No buffer operation 0 1: Single buffer operation (GTPBR → GTPR) 1 x: Setting prohibited. | R/W |
| b22 | CCRSWT | GTCCRA and GTCCRB Forcible Buffer Operation | Writing 1 to this bit forces a buffer transfer of GTCCRA and GTCCRB. This bit automatically returns to 0 after 1 is written. This bit is read as 0. | R/W |
| b31 to b23 | — | Reserved | These bits are read as 0. The write value should be 0. | R/W |

The GTBER provides settings for the buffer operation and must be set while the GTCNT operation stops.

BD[0] bit (GTCCR Buffer Operation Disable)

The BD[0] bit disables buffer operation using GTCCRA, GTCCRC, and GTCCRD combined and the buffer operation using GTCCRB, GTCCRE, and GTCCRF combined.

When GTDTCR.TDE is 1 and when BD[0] is set to 0, GTCCRB does not perform buffer operation and the GTCCRB register is automatically set to a compare match value for a negative-phase waveform with dead time.

BD[1] bit (GTPR Buffer Operation Disable)

The BD[1] bit disables buffer operation using GTPR and GTPBR combined.

CCRA[1:0] bits (GTCCRA Buffer Operation)

The CCRA[1:0] bits set buffer operation using GTCCRA, GTCCRC and GTCCRD combined. When buffer operation is restricted by the operating mode set in GTCR, the GTCR setting is given priority.*1

CCRB[1:0] bits (GTCCRB Buffer Operation)

The CCRB[1:0] bits set buffer operation using GTCCRB, GTCCRE, and GTCCRF combined. When buffer operation is restricted by the operating mode set in GTCR, the GTCR setting is given priority.*1

PR[1:0] bits (GTPR Buffer Operation)

The PR[1:0] bits set buffer operation using GTPR and GTPBR combined.

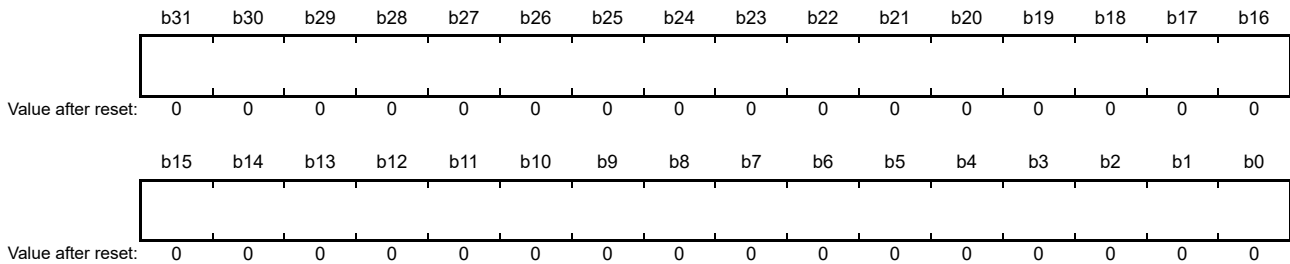
CCRSWT bit (GTCCRA and GTCCRB Forcible Buffer Operation)

Writing 1 to the CCRSWT bit forces a buffer transfer of GTCCRA and GTCCRB. This bit automatically returns to 0 after 1 is written. This bit is read as 0 and is valid only when counting is stopped with a specified compare match operation.

Note 1. The buffer operation mode is fixed in saw-wave one-shot pulse mode, or triangle-wave PWM mode 3 (64-bit transfer at trough).

22.2.18 General PWM Timer Counter (GTCNT)

Address(es): GPT32m.GTCNT 4007 8048h + 0100h × m (m = 0 to 1),
GPT16m.GTCNT 4007 8048h + 0100h × m (m = 2 to 7)

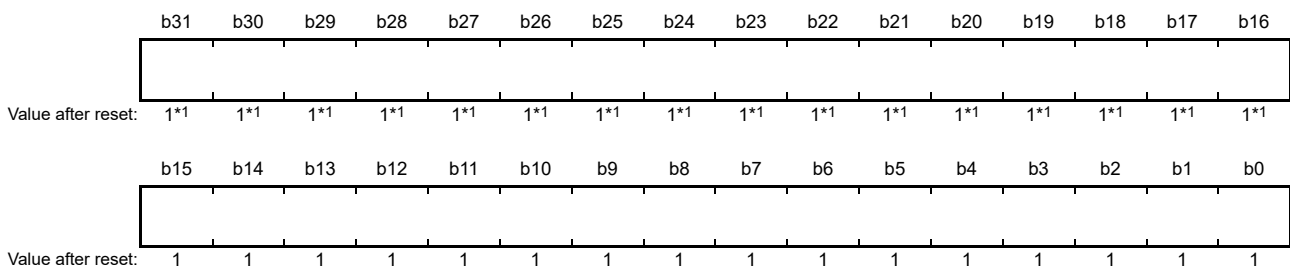


GTCNT is a 32-bit read/write counter for GPT32m (m = 0 to 1). For GPT16m (m = 2 to 7), GTCNT is a 16-bit register. GTCNT can only be written to after the counting stops. GTCNT must be accessed in 32-bit units. Access in 8-bit/16-bit units is prohibited.

For GPT16m (m = 2 to 7), the upper 16 bits for access in a 32-bit unit are always read as 0000h and writing to these bits is ignored. GTCNT must be set within the range of $0 \leq \text{GTCNT} \leq \text{GTPR}$.

22.2.19 General PWM Timer Compare Capture Register n (GTCCRn) (n = A to F)

Address(es): GPT32m.GTCCRA 4007 804Ch + 0100h × m (m = 0 to 1), GPT16m.GTCCRA 4007 804Ch + 0100h × m (m = 2 to 7),
GPT32m.GTCCRB 4007 8050h + 0100h × m (m = 0 to 1), GPT16m.GTCCRB 4007 8050h + 0100h × m (m = 2 to 7),
GPT32m.GTCCRC 4007 8054h + 0100h × m (m = 0 to 1), GPT16m.GTCCRC 4007 8054h + 0100h × m (m = 2 to 7),
GPT32m.GTCCRD 4007 805Ch + 0100h × m (m = 0 to 1), GPT16m.GTCCRD 4007 805Ch + 0100h × m (m = 2 to 7),
GPT32m.GTCCRE 4007 8058h + 0100h × m (m = 0 to 1), GPT16m.GTCCRE 4007 8058h + 0100h × m (m = 2 to 7),
GPT32m.GTCCRF 4007 8060h + 0100h × m (m = 0 to 1), GPT16m.GTCCRF 4007 8060h + 0100h × m (m = 2 to 7)



Note 1. For GPT16m (m = 2 to 7), value of the upper 16 bits after reset is 0000h.

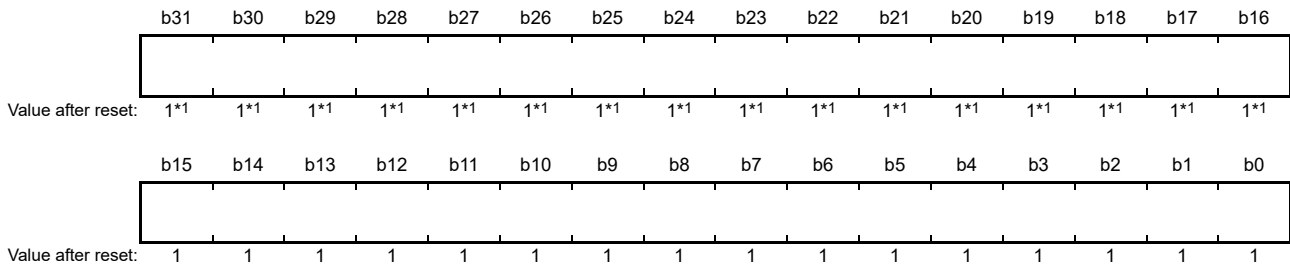
GTCCRn registers are read/write registers. The effective size of GTCCRn is the same as GTCNT (16-bit or 32-bit). If the effective size of GTCCRn is 16-bit, the upper 16 bits for access in a 32-bit unit are always read as 0000h, and writing to these bits is ignored.

GTCCRA and GTCCRB are registers used for both output compare and input capture. GTCCRC and GTCCRE are compare match registers that can also function as buffer registers for GTCCRA and GTCCRB.

GTCCRD and GTCCRF are compare match registers that can also function as buffer registers for GTCCRC and GTCCRE (double-buffer registers for GTCCRA and GTCCRB).

22.2.20 General PWM Timer Cycle Setting Register (GTPR)

Address(es): GPT32m.GTPR 4007 8064h + 0100h × m (m = 0 to 1),
GPT16m.GTPR 4007 8064h + 0100h × m (m = 2 to 7)



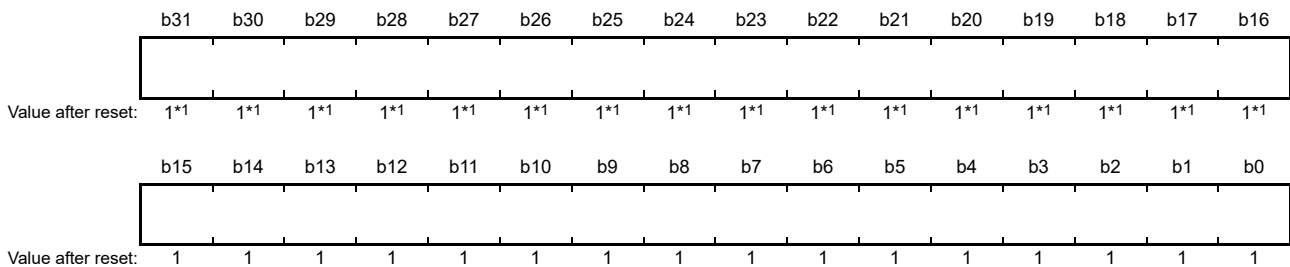
Note 1. For GPT16m (m = 2 to 7), value of the upper 16 bits after reset is 0000h.

GTPR is a read/write register that sets the maximum count value of GTCNT. The effective size of GTPR is same as GTCNT (16-bit or 32-bit). If the effective size of GTPR is 16-bit, the upper 16 bits for access in a 32-bit unit are always read as 0000h, and writing to these bits is ignored.

For saw waves, the value of (GTPR + 1) is the cycle. For triangle waves, the value of (GTPR value × 2) is the cycle.

22.2.21 General PWM Timer Cycle Setting Buffer Register (GTPBR)

Address(es): GPT32m.GTPBR 4007 8068h + 0100h × m (m = 0 to 1),
GPT16m.GTPBR 4007 8068h + 0100h × m (m = 2 to 7)

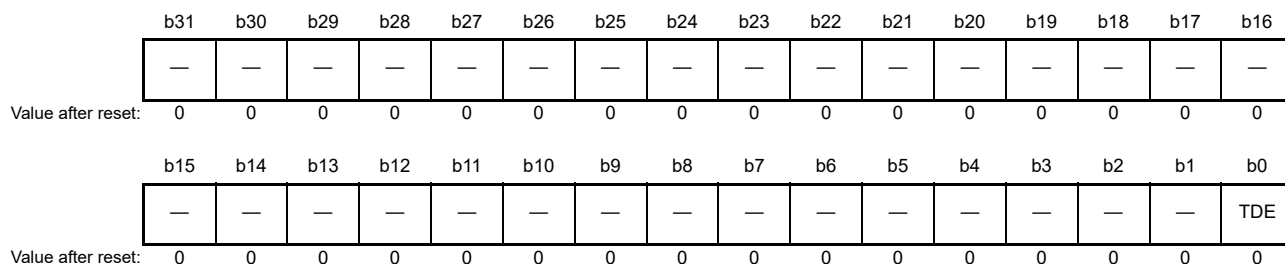


Note 1. For GPT16m (m = 4 to 9), value of the upper 16 bits after reset is 0000h.

GTPBR is a read/write register that functions as a buffer register for GTPR. The effective size of GTPBR is the same as GTCNT (16-bit or 32-bit). If the effective size of GTPBR is 16-bit, the upper 16 bits for access in a 32-bit unit are always read as 0000h, and writing to these bits is ignored.

22.2.22 General PWM Timer Dead Time Control Register (GTDTCR)

Address(es): GPT32m.GTDTCR 4007 8088h + 0100h × m (m = 0 to 1),
 GPT16m.GTDTCR 4007 8088h + 0100h × m (m = 2 to 7)



| Bit | Symbol | Bit name | Description | R/W |
|-----------|--------|---------------------------------|---------------------------------------------------------------------------------------------------------------------------------------------------|-----|
| b0 | TDE | Negative-Phase Waveform Setting | 0: GTCCRB is set without using GTDVU 1: GTDVU sets the compare match value for the negative-phase waveform with automatic dead time in GTCCRB. | R/W |
| b31 to b1 | — | Reserved | These bits are read as 0. The write value should be 0. | R/W |

GTDTCR enables automatic setting of a compare match value for negative-phase waveform with dead time. GPT has a dead time control function and the GTDVU register is used for setting dead time value.

TDE bit (Negative-Phase Waveform Setting)

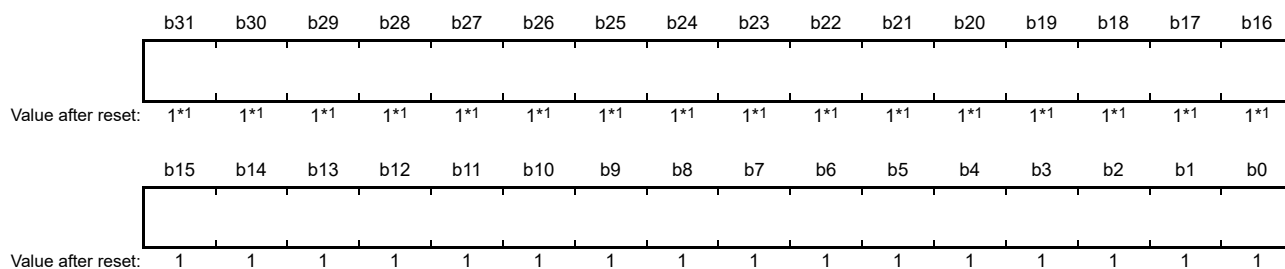
The TDE bit specifies whether to use GTDVU. When GTDVU is used, the compare match value for a negative-phase waveform with dead time obtained by the compare match value of a positive-phase waveform (GTCCRA) and the dead time value (GTDVU), is automatically set in GTCCRB. The TDE bit setting is ignored in saw-wave PWM mode, and automatic setting does not take place.

The GTCCRB value is automatically set and has the following upper and lower limit values. If the obtained GTCCRB value is not within the upper or lower limit, the following limit value is set in GTCCRB.

- Triangle waves:
 Upper limit value: GTPR – 1
 Lower limit value: 1 in up-counting, 0 in down-counting.
- Saw-wave one-shot pulse mode:
 Upper limit value: GTPR
 Lower limit value: 0.

22.2.23 General PWM Timer Dead Time Value Register U (GTDVU)

Address(es): GPT32m.GTDVU 4007 808Ch + 0100h × m (m = 0 to 1),
 GPT16m.GTDVU 4007 808Ch + 0100h × m (m = 2 to 7)



Note 1. For GPT16m (m = 2 to 7), value of the upper 16 bits after reset is 0000h.

GTDVU is a read/write register that sets the dead time for generating PWM waveforms with dead time. The effective size of GTDVU is the same as GTCNT (16-bit or 32-bit). If the effective size of GTDVU is 16-bit, the upper 16 bits for access in a 32-bit unit are always read as 0000h, and writing to these bits is ignored.

Setting a dead time value that exceeds the cycle is prohibited. The set value can be confirmed by reading from GTCCRB. When GTDVU is used, writing to GTCCRB is prohibited. When this register is set to 0, waveforms without dead time are output.

While GPT is running, changing the GTDVU values is prohibited. To change GTDVU to a new value, stop the GPT with the CST bit in the GTCR register. GTDVU must be accessed in 32-bit units. Access in 8-bit/16-bit units is prohibited.

22.2.24 Output Phase Switching Control Register (OPSCR)

Address(es): [GPT_OPS.OPSCR 4007 8FF0h](#)

| | | | | | | | | | | | | | | | | |
|--------------------|-----------|-----|------|-----|-----|------|----------|-----|-----|-----|-------|-----|-----|-----|-----|-----|
| | b31 | b30 | b29 | b28 | b27 | b26 | b25 | b24 | b23 | b22 | b21 | b20 | b19 | b18 | b17 | b16 |
| | NFCS[1:0] | | NFEN | — | — | GODF | GRP[1:0] | | — | — | ALIGN | — | INV | N | P | FB |
| Value after reset: | 0 | 0 | 0 | 0 | 0 | 0 | 0 | 0 | 0 | 0 | 0 | 0 | 0 | 0 | 0 | 0 |
| | b15 | b14 | b13 | b12 | b11 | b10 | b9 | b8 | b7 | b6 | b5 | b4 | b3 | b2 | b1 | b0 |
| | — | — | — | — | — | — | — | EN | — | W | V | U | — | WF | VF | UF |
| Value after reset: | 0 | 0 | 0 | 0 | 0 | 0 | 0 | 0 | 0 | 0 | 0 | 0 | 0 | 0 | 0 | 0 |

| Bit | Symbol | Bit name | Description | R/W |
|-----------|--------------------------|-----------------------------------|-------------------------------------------------------------------------------------------------------------------------------------------------------------------|-----|
| b0 | UF | Input Phase Soft Setting | These bits set the input phase from the software settings. | R/W |
| b1 | VF | | Setting these bits is valid when the OPSCR.FB bit = 1. | R/W |
| b2 | WF | | | R/W |
| b3 | — | Reserved | This bit is read as 0. The write value should be 0. | R/W |
| b4 | U | Input U-Phase Monitor | These bits monitor the state of the input phase: | R |
| b5 | V | Input V-Phase Monitor | OPSCR.FB = 0: External input that are synchronized by PCLKD are monitored by these bits | R |
| b6 | W | Input W-Phase Monitor | OPSCR.FB = 1: Software settings (UF/VF/WF). | R |
| b7 | — | Reserved | This bit is read as 0. The write value should be 0. | R/W |
| b8 | EN | Enable-Phase Output Control | 0: Do not output (Hi-Z external pin) 1: Output.*1 | R/W |
| b15 to b9 | — | Reserved | These bits are read as 0. The write value should be 0. | R/W |
| b16 | FB | External Feedback Signal Enable | This bit selects the input phase from the software settings and external input: 0: Select the external input 1: Select the soft setting (OPSCR.UF, VF, WF). | R/W |
| b17 | P | Positive-Phase Output (P) Control | 0: Level signal output 1: PWM signal (PWM of GPT320) output. | R/W |
| b18 | N | Negative-Phase Output (N) Control | 0: Level signal output 1: PWM signal (PWM of GPT320) output. | R/W |
| b19 | INV | Invert-Phase Output Control | 0: Positive logic (active-high) output 1: Negative logic (active-low) output. | R/W |
| b20 | — | Reserved | This bit is read as 0. The write value should be 0. | R/W |
| b21 | ALIGN | Input Phase Alignment | 0: Input phase aligned to PCLKD 1: Input phase aligned to PWM. | R/W |
| b23, b22 | — | Reserved | These bits are read as 0. The write value should be 0. | R/W |
| b25, b24 | GRP[1:0] | Output Disabled Source Selection | b25 b24 0 0: Select Group A output disable source 0 1: Select Group B output disable source 1 x: Setting prohibited. | R/W |
| b26 | GODF | Group Output Disable Function | 0: This bit function is ignored 1: Group disable clears the OPSCR.EN bit.*1 | R/W |
| b28, b27 | — | Reserved | These bits are read as 0. The write value should be 0. | R/W |

| Bit | Symbol | Bit name | Description | R/W |
|----------|-----------|---------------------------------------------|------------------------------------------------------------------------------------------------------------------------------------------|-----|
| b29 | NFEN | External Input Noise Filter Enable | 0: Do not use a noise filter on the external input 1: Use a noise filter on the external input. | R/W |
| b31, b30 | NFCS[1:0] | External Input Noise Filter Clock Selection | Noise filter sampling clock setting of the external input. b31 b30 0 0: PCLKD/1 0 1: PCLKD/4 1 0: PCLKD/16 1 1: PCLKD/64. | R/W |

Note 1. When OPSCR.GODF = 1 and the signal value selected by the OPSCR.GRP bit is high, the OPSCR.EN bit is set to 0. The OPSCR register sets the output of the signal waveform required for brushless DC motor control.

UF, VF, WF bits (Input Phase Soft Setting)

The UF, VF, WF bits set the input phase from the software settings. When OPSCR.FB bit is 1, these bits are valid. The set value of the UF/VF/WF takes the place of the U/V/W external input.

U, V, W bits (Input Phase Monitor)

When the OPSCR.FB bit is 0, external inputs that are synchronized by PCLKD are monitored by these bits. When OPSCR.FB bit is 1, the OPSCR.U, OPSCR.V, and OPSCR.W bits can read the OPSCR.UF, OPSCR.VF, and OPSCR.WF bits.

EN bit (Enable-Phase Output Control)

The EN bit controls the output enable signal output phase (positive phase/reverse phase).

When OPSCR.EN bit is 1, the signal waveform is output.

When OPSCR.EN bit is 0, first set OPSCR.FB, OPSCR.UF/VF/WF (software setting is selected), OPSCR.P/N, OPSCR.INV, OPSCR.RV, OPSCR.ALIGN, OPSCR.GRP, OPSCR.GODF, OPSCR.NFEN, OPSCR.NFCS. Then, set the EN bit to 1. Also when OPSCR.GODF is 1 and the signal value selected in the OPSCR.GRP bit is high, the OPSCR.EN bit is set to 0.

FB bit (External Feedback Signal Enable)

The FB bit selects the input phase from the software settings (OPSCR.UF, VF, WF) and external input such as a Hall element.

P bit (Positive-Phase Output (P) Control)

The P bit selects one of the level signal output (PWM of GPT320) or PWM signal output for the positive-phase output (GTOUUP pin, GTOVUP pin, GTOWUP pin).

N bit (Negative-Phase Output (N) Control)

The N bit selects one of the level signal output (PWM of GPT320) or PWM signal output for the negative-phase output (GTOULO pin, GTOVLO pin, GTOWLO pin).

INV bit (Invert-Phase Output Control)

The INV bit selects one of the positive logic (active-high) output or negative logic (active-low) output for the output phase.

ALIGN bit (Input Phase Alignment)

The ALIGN bit selects the PCLKD or PWM for the sampling of the input phase (input phase is specified in the OPSCR.FB bit).

When OPSCR.ALIGN bit is 0, input phase is aligned to PCLKD.

Note: When PWM output is selected (OPSCR.P/N is 1) and the PCLKD input phase is aligned, the PWM pulse can be short-pulsed.

Note: When OPSCR.ALIGN bit is 1, input phase is aligned with PWM output.

GRP[1:0] bits (Output Disabled Source Selection)

The GRP[1:0] bits select the output disable source (A, B).

GODF bit (Group Output Disable Function)

When OPSCR.GODF is 1 and the signal value selected by the OPSCR.GRP[1:0] bit is high, the OPSCR.EN bit is set to 0. When the OPSCR.GODF bit is 0, this bit is ignored.

NFEN bit (External Input Noise Filter Enable)

The NFEN bit selects the noise filter for external input. When OPSCR.NFEN bit is 0, a noise filter is not used for the external input.

Note: When this bit is switched because of an unintentional internal edge, set the OPSCR.EN bit to 0.

NFCS[1:0] bits (External Input Noise Filter Clock Selection)

The NFCS[1:0] bits select the clock for the external input noise filter. When OPSCR.NFEN bit is 1, noise filter sampling clock setting of the external input is enabled.

1. Set the NFCS[1:0].
2. Wait for 2 cycles.
3. Set the OPSCR.EN bit to 1.

22.3 Operation

22.3.1 Basic Operation

Each channel has a 32-bit timer that performs a periodic count operation using the count clock and hardware sources. The count function provides both up-counting and down-counting. The GTPR controls the count cycle. When the GTCNT counter value matches the value in GTCCRA or GTCCRB, the output from the associated pin GTIOCA or GTIOCB can be changed. GTCCRA or GTCCRB can be used as an input capture register with hardware sources.

GTCCRC and GTCCRD can function as buffer registers for GTCCRA. GTCCRE and GTCCRF can function as buffer registers for GTCCRB.

22.3.1.1 Counter operation

(1) Counter start/stop

The counter of each channel starts the count operation when GTCR.CST is set to 1. The GTCR.CST bit value is changed by following sources:

- Writing to GTCR register
- Writing 1 to the bit in GTSTR associated with the GPT channel number when the GTSSR.CSTRT bit is set to 1
- Writing 1 to the bit in GTSTP associated with the GPT channel number when the GTPSR.CSTOP bit is set to 1
- The hardware source selected in the GTSSR register
- The hardware source selected in the GTPSR register.

(2) Periodic count operation in up-counting by count clock

The GTCNT counter in each channel starts up-counting when the associated GTCR.CST bit is set to 1 with GTUPSR and GTDNSR registers set to 0000 0000h. When the GTCNT value changes from the GTPR value to 0 (overflow), the GTST.TCFPO flag is set to 1. After GTCNT overflows, up-counting resumes from 0000 0000h.

Figure 22.3 shows an example of a periodic count operation in up-counting.

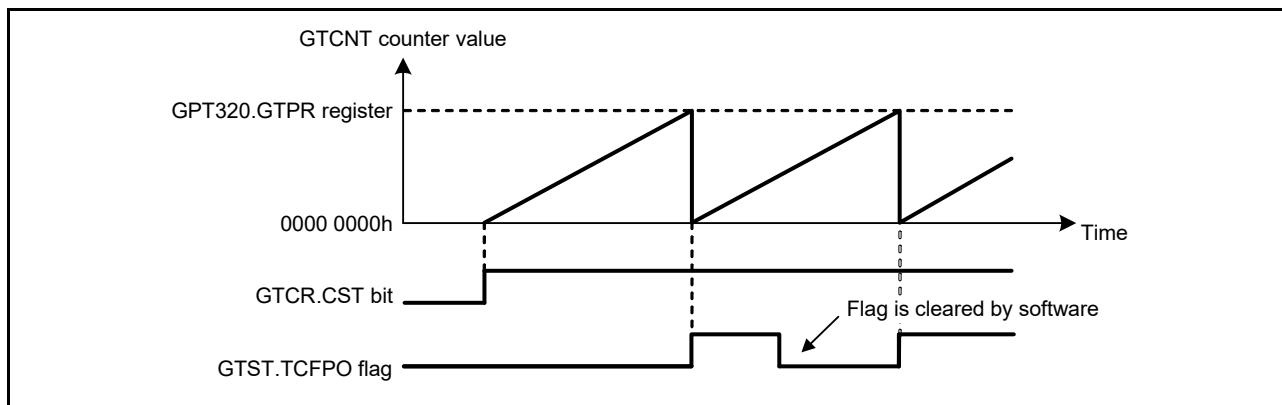


Figure 22.3 Example of periodic count operation in up-counting by the count clock

Figure 22.4 shows an example for setting periodic count operation in up-counting.

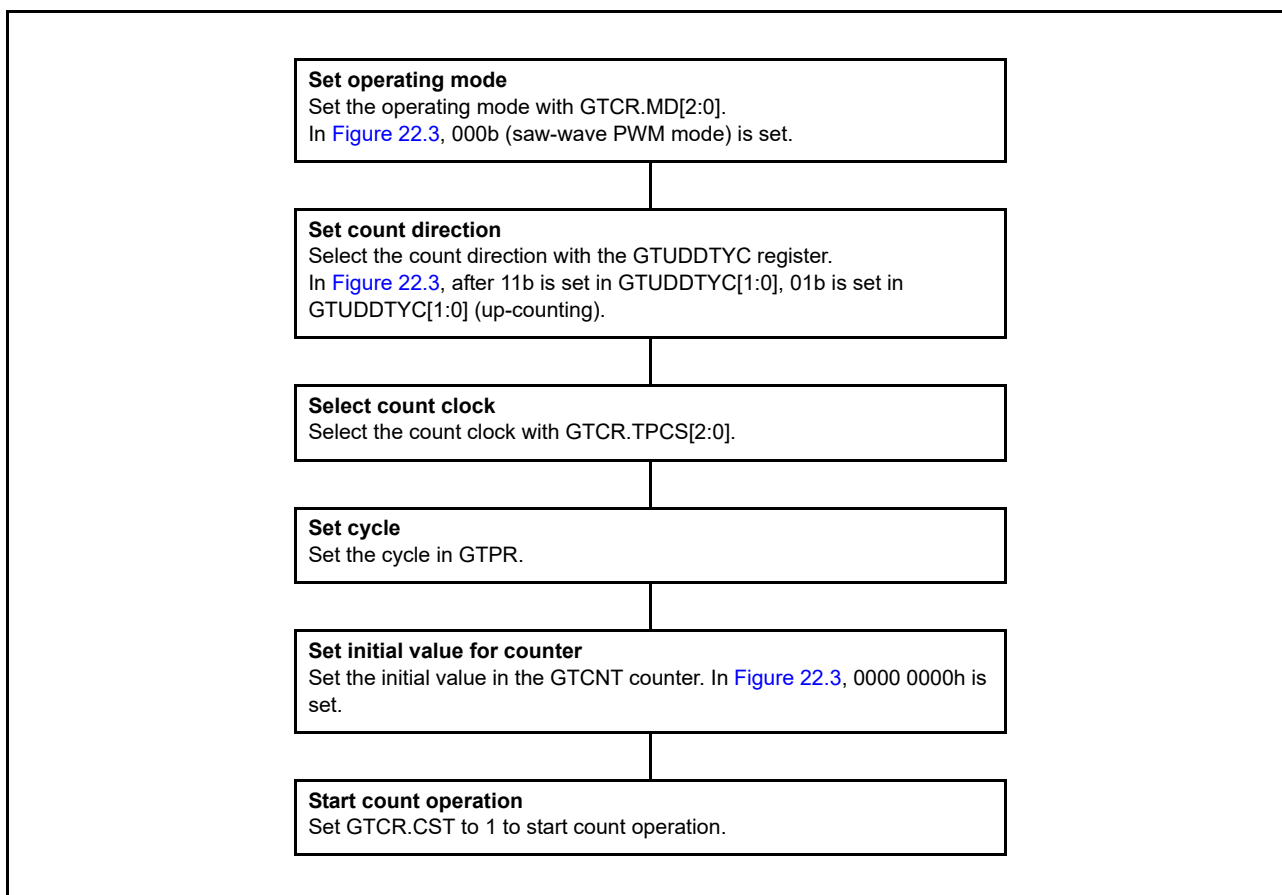


Figure 22.4 Example for setting a periodic count operation in up-counting by the count clock

(3) Periodic count operation in down-counting by count clock

The GTCNT counter in each channel can perform down-counting by setting GTUDDTYC.UD with GTUPSR and GTDNSR registers set to 0000 0000h. When GTCNT changes from 0 to the GTPR value (underflow), GTST.TCFPU is set to 1. When the GTCNT counter underflows, down-counting resumes from the GTPR value.

Figure 22.5 shows an example of periodic count operation in down-counting by the count clock.

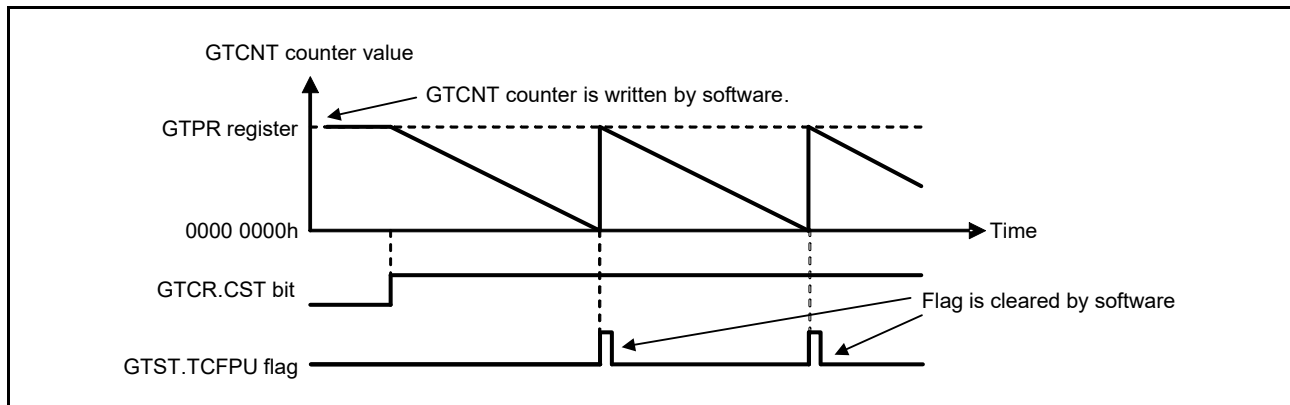


Figure 22.5 Example of periodic count operation in down-counting by the count clock

Figure 22.6 shows an example for setting periodic count operation in down-counting by the count clock.

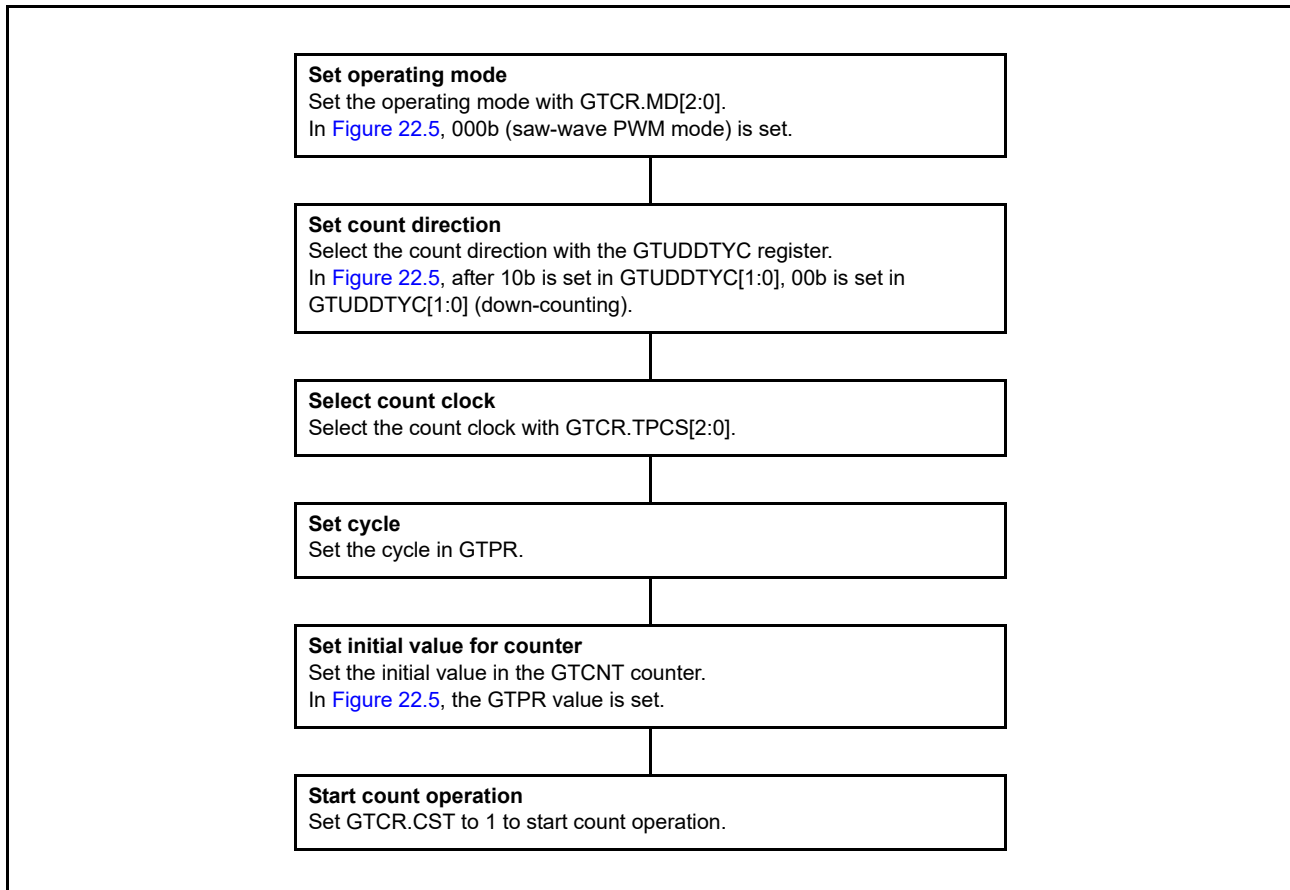


Figure 22.6 Example for setting periodic count operation in down-counting by count clock

(4) Event count operation in up-counting using hardware sources

The GTCNT counter in each channel can perform up-counting using hardware sources as set in GTUPSR.

When GTUPSR is set to enable, the count clock selected in GTCR.TPCS[2:0] and the count direction selected in GTUDDTYC.UD are ignored. If up-counting and down-counting using hardware sources occur at the same time, the GTCNT counter value does not change. The overflow behavior for up-counting using hardware sources is the same as for up-counting by the count clock.

When GTCR.CST bit is set to 1 to count up using hardware sources, the count operation is enabled. When GTCR.CST is set to 1, the counter cannot count up for 1 clock cycle as specified by GTCR.TPCS[2:0] because the count operation is synchronized by the count clock selected by GTCR.TPCS[2:0]. Set GTCR.TPCS[2:0] to 000b to count up with 1 PCLKD delay after GTCR.CST is set to 1.

Figure 22.7 shows an example of a periodic count operation in up-counting by a hardware source (rising edge of GTETRGA pin).

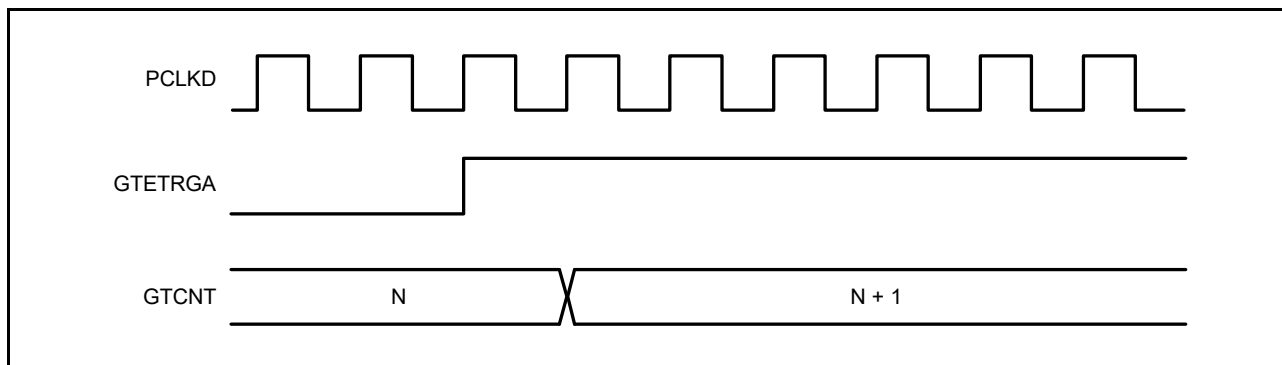


Figure 22.7 Example of periodic count operation in up-counting using hardware sources

Figure 22.8 shows an example for setting periodic count operation in down-counting by the count clock.

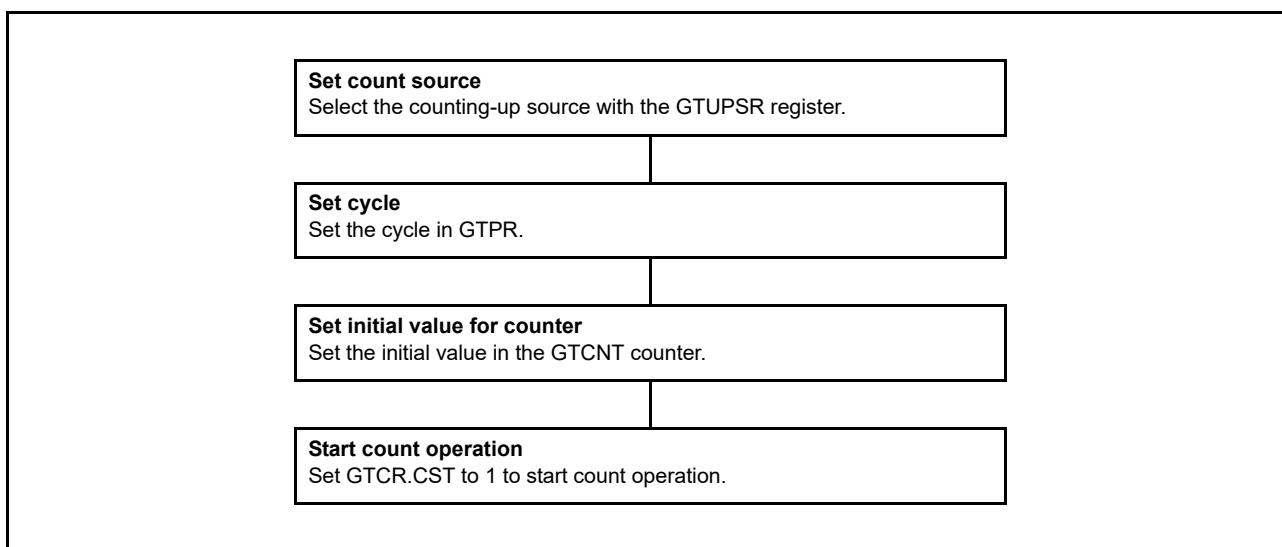


Figure 22.8 Example for setting an event count operation in up-counting using hardware sources

(5) Event count operation in down-counting using hardware sources

The GTCNT counter in each channel can perform down-counting using hardware sources set in the GTDNSR.

When GTDNSR is set to enable, the count clock selected in GTCR.TPCS[2:0] and the count direction selected in GTUDDTYC.UD are ignored. If up-counting and down-counting using hardware sources occur at the same time, GTCNT counter value does not change. The underflow behavior for down-counting using hardware sources is the same as for down-counting by the count clock.

When GTCR.CST bit is set to 1 to count down using hardware sources, the count operation is enabled. When GTCR.CST is set to 1, the counter cannot count down for 1 clock cycle as specified by GTCR.TPCS[2:0] because the count operation is synchronized with the count clock selected by GTCR.TPCS[2:0]. Set GTCR.TPCS[2:0] to 000b to count down with a 1 PCLKD delay after GTCR.CST is set to 1.

Figure 22.9 shows an example of a periodic count operation in down-counting by a hardware source (rising edge of GTETRGA pin).

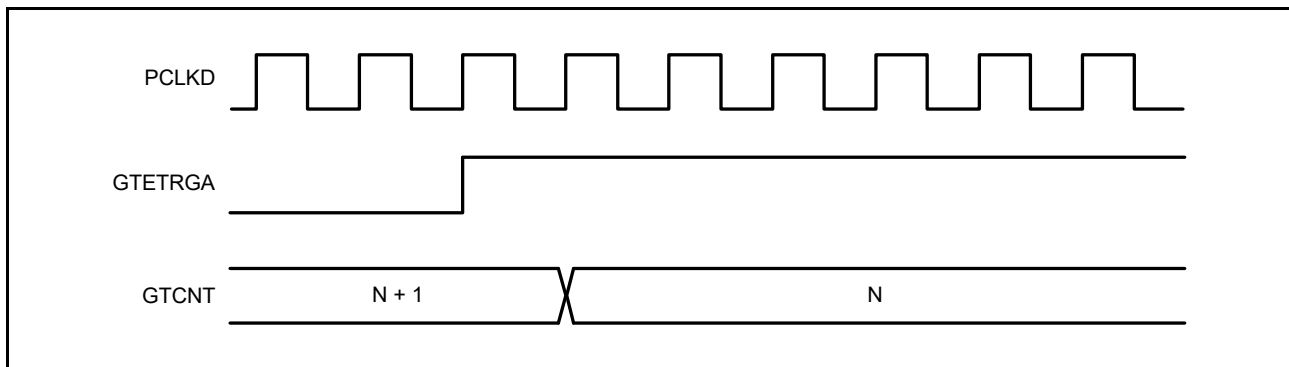


Figure 22.9 Example of event count operation in down-counting using hardware sources

Figure 22.10 shows an example for setting a periodic count operation in down-counting using a hardware source.

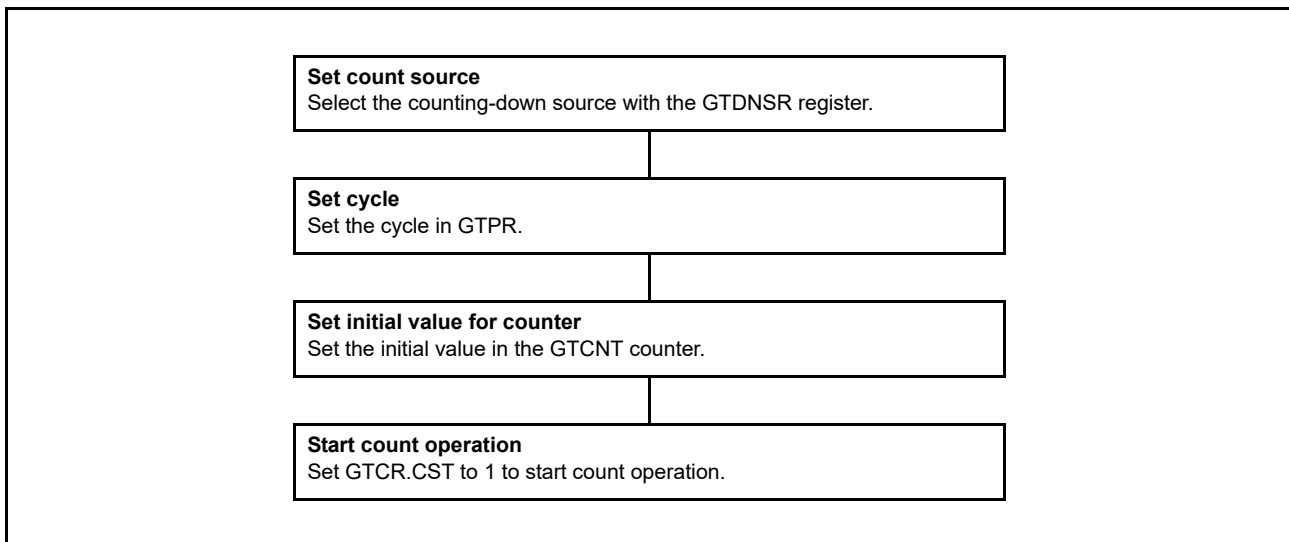


Figure 22.10 Example for setting an event count operation in down-counting using hardware sources

(6) Counter clear operation

The counter of each channel is cleared by the following sources:

- Writing 0 to the GTCNT register
- Writing 1 to the bit in GTCLR associated with the GPT channel number when the GTCSR.CCLR bit is set to 1
- The hardware source selected in the GTCSR register.

Writing to the GTCNT register is prohibited during count operation. The GTCNT counter can be cleared both by writing 1 to the GTCLR and by the clear request of hardware sources, whether GTCNT is counting (GTCR.CST = 1) or not (GTCR.CST = 0).

For saw waves selected by setting GTCR.MD[2:0] and the count direction flag showing down-counting (GTST.TUCF = 0), the GTCNT register is set to the value of the GTPR register when writing 1 to the GTCLR register or when clearing by hardware sources is performed. When not in saw-wave mode and down-counting, the GTCNT register is set to 0 when writing 1 to the GTCLR register and when clearing by hardware sources is performed.

In event count operation when at least 1 bit in GTUPSR or GTDNSR is set to 1, after clear sources occur, both writing to GTCLR register and clearing by hardware sources are performed immediately to synchronize with PCLKD. If other settings are used, clear is synchronized with the counter clock selected in GTCR.TPCS[2:0].

22.3.1.2 Waveform output by compare match

Compare match means that the GTCNT counter value matches the value of GTCCRA or GTCCRB. When a compare match occurs, the compare match flag is generated synchronously with the count clock including the event count. At the same time the GPT can output low, high, or toggled output from the associated GTIOCA or GTIOCB output pin. In addition, the GTIOCA or GTIOCB pin output can be low, high, or toggled at the cycle end which is determined by GTPR.

The cycle end is:

- For saw waves in up-counting – when GTCNT changes from the GTPR value to 0 (overflow)
- For saw waves in down-counting – when GTCNT changes from 0 to GTPR value (underflow)
- For saw waves – when the GTCNT counter is cleared
- For triangle waves – when the GTCNT changes from 0 to 1 (trough).

(1) Low output and high output

Figure 22.11 shows an example of low output and high output operation by a compare match of GTCCRA and GTCCRB.

In this example, the GPT320.GTCNT counter performs up-counting, and settings are made so that high is output from the GTIOC0A pin by a GPT320.GTCCRA compare match, and low is output from the GTIOC0B pin by a GPT320.GTCCRB compare match. The pin level does not change when the specified level and pin level match.

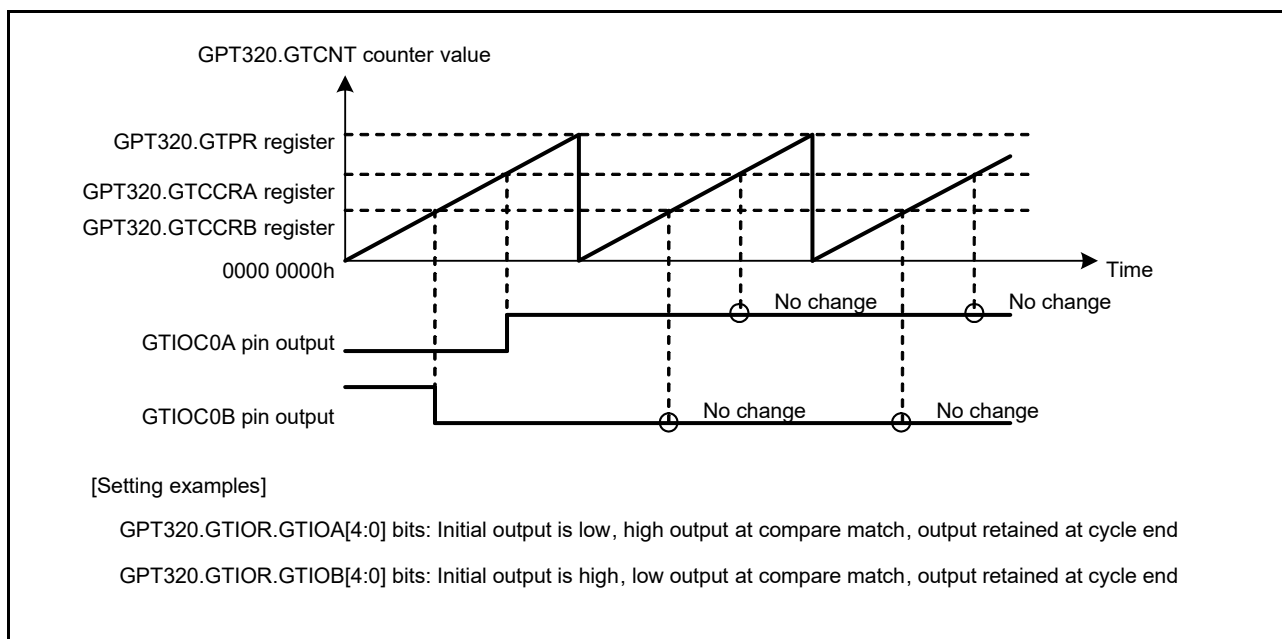


Figure 22.11 Example of low output and high output operation

Figure 22.12 shows an example for setting low output and high output operation.

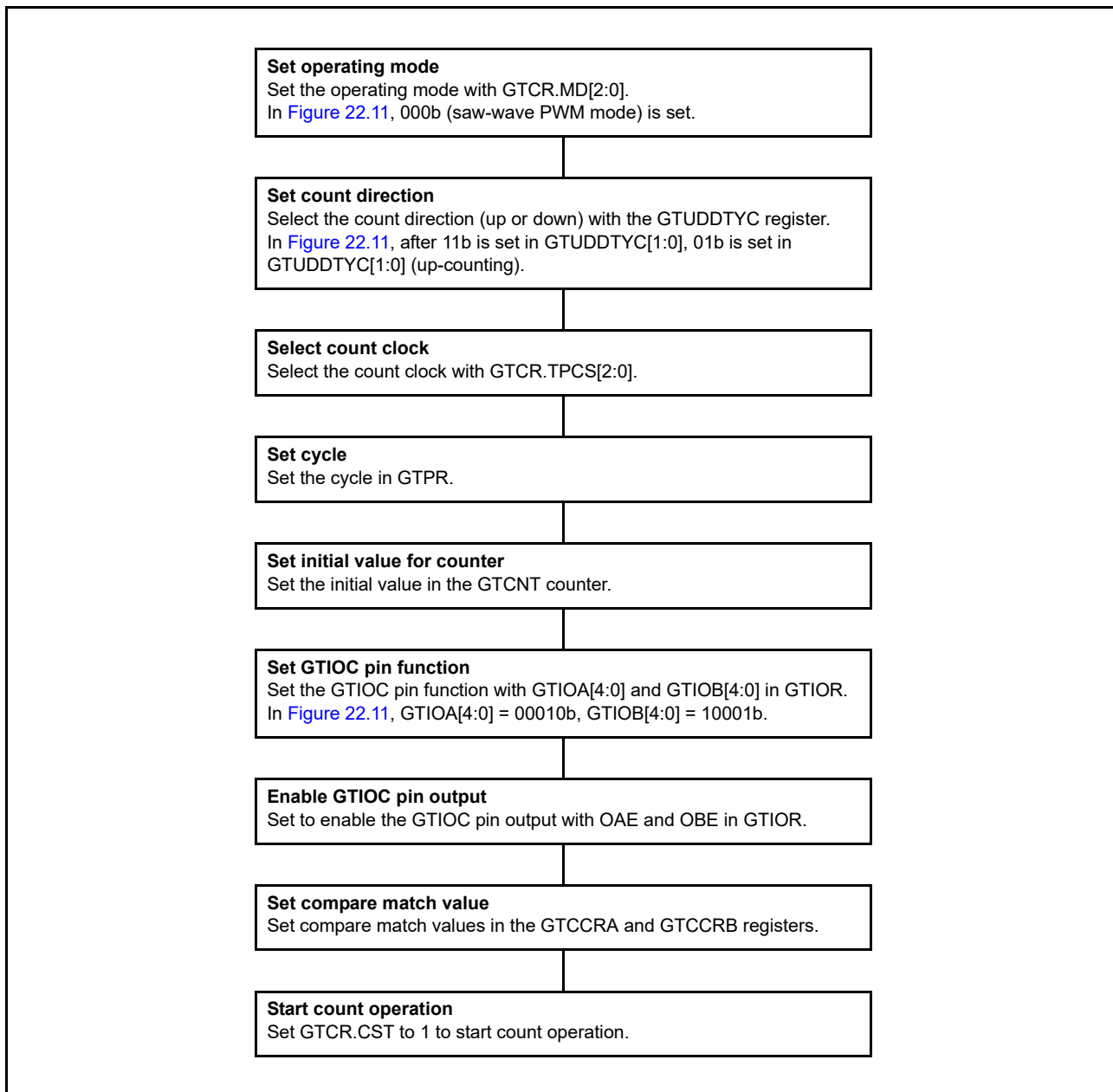


Figure 22.12 Example setting for low output and high output operation

(2) Toggled output

Figure 22.13 and Figure 22.14 show examples of toggled output operation by compare matches of GTCCRA and GTCCRB. In Figure 22.13, the GPT320.GTCNT counter performs up-counting, and settings are made so that the GTIOC0A pin output by a GPT320.GTCCRA compare match and GTIOC0B pin output by a GPT320.GTCCRB compare match are toggled.

In Figure 22.14, the GPT320.GTCNT counter performs up-counting, and settings are made so that the GTIOC0A output is toggled by a compare match of GPT320.GTCCRA and the GTIOC0B output is toggled at the cycle end.

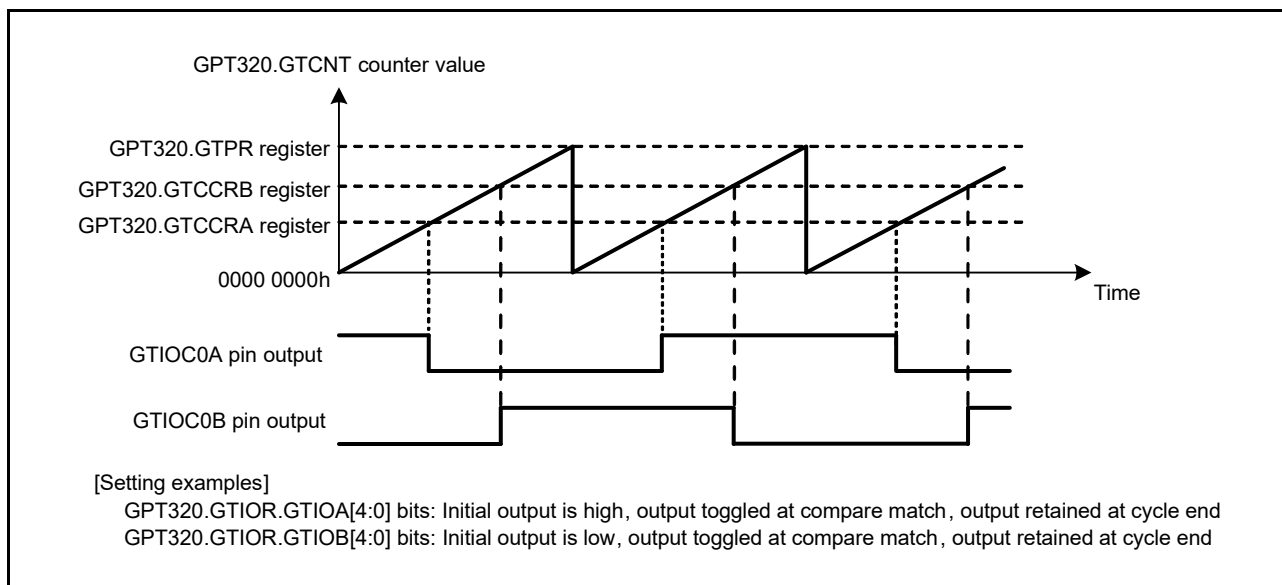


Figure 22.13 Example of toggled output operation (1)

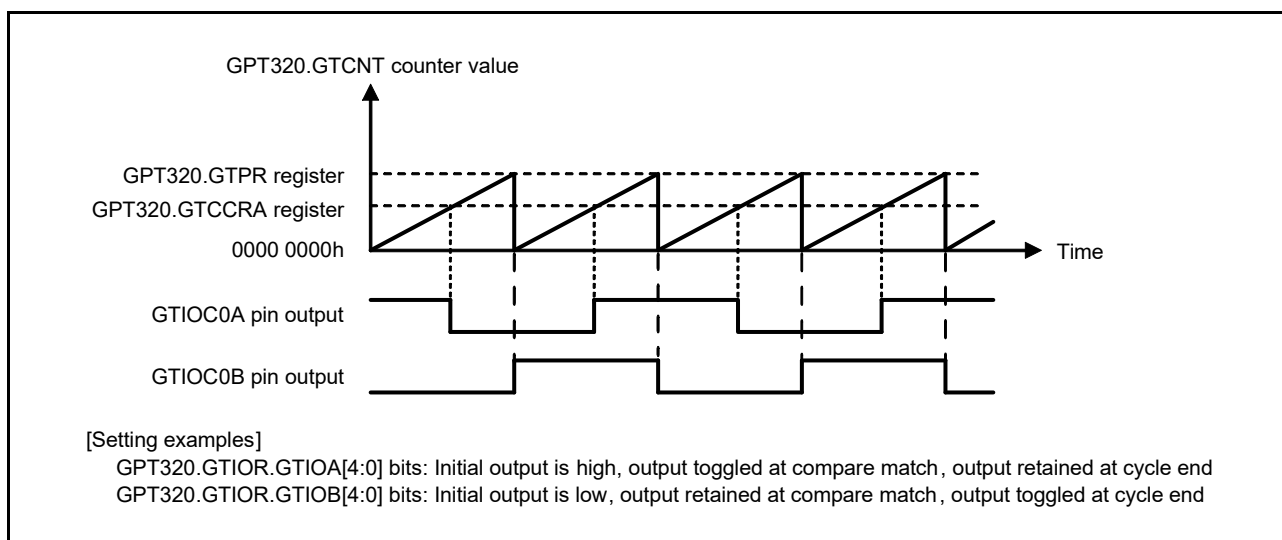


Figure 22.14 Example of toggled output operation (2)

Figure 22.15 shows an example setting for toggled output operation.

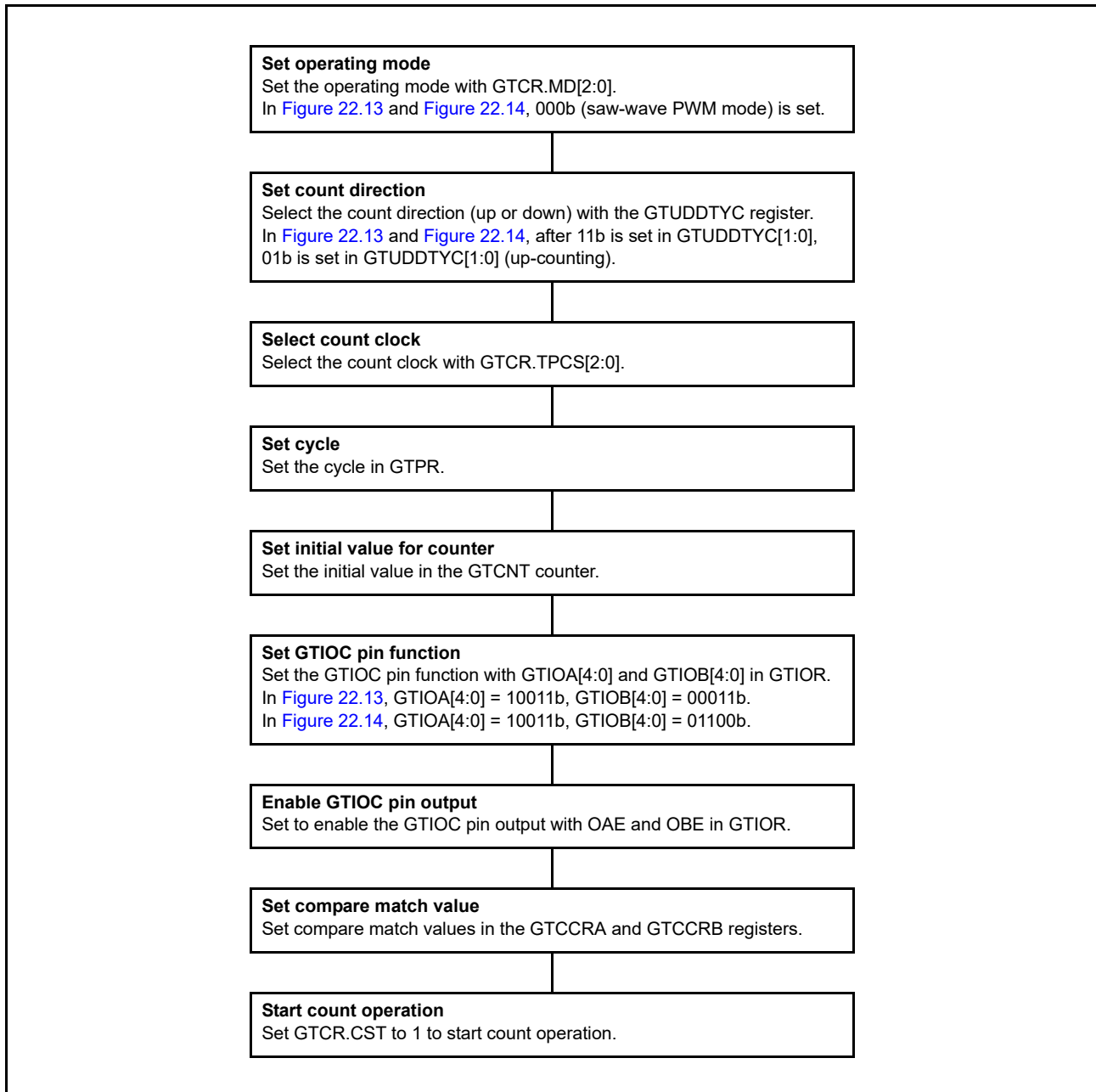


Figure 22.15 Example setting for toggled output operation

22.3.1.3 Input capture function

The GTCNT counter value can be transferred to either GTCCRA or GTCCRB on detection of the hardware source that is set in GTICASR and GTICBSR.

Figure 22.16 shows an example of the input capture function.

In this example, the GPT320.GTCNT counter performs up-counting by the count clock, and settings are made so that an input capture is performed to GTICCRB at both edges of the GTIOC0A input pin and to GTICCRB on the rising edge of the GTIOC0B input pin.

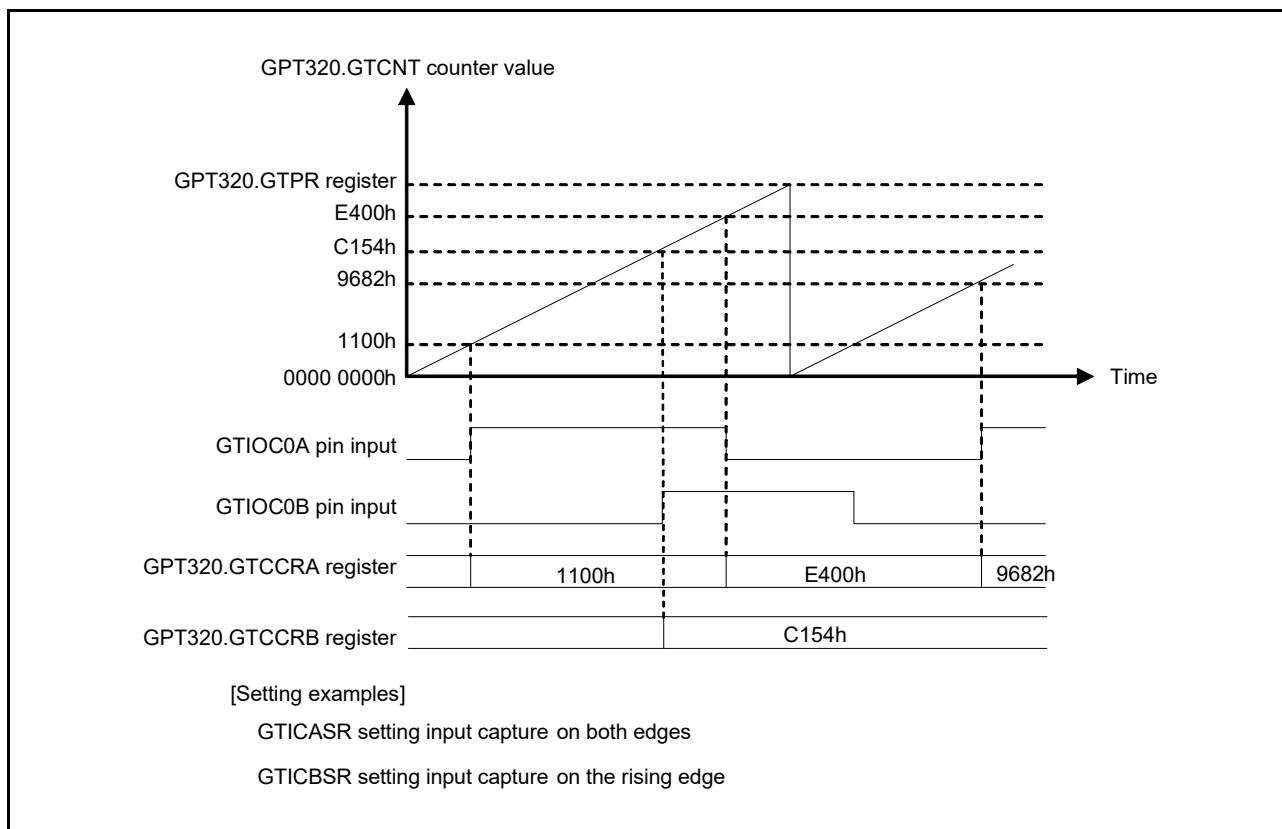


Figure 22.16 Example of input capture operation

Figure 22.17 shows an example for setting an input capture operation with count operation by the count clock.

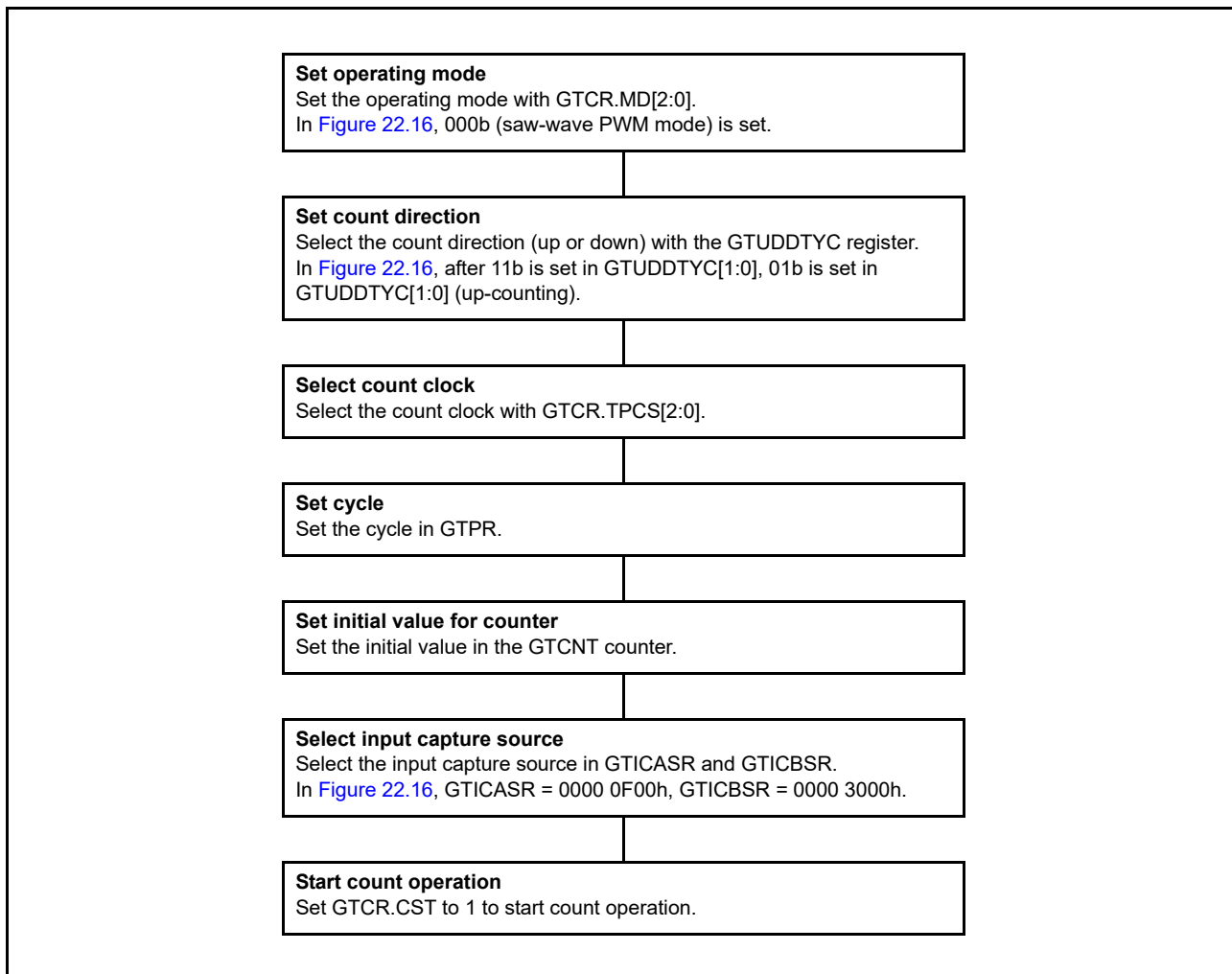


Figure 22.17 Example for setting input capture operation

22.3.2 Buffer Operation

The following buffer operations can be set with GTBER:

- GTPR and GTPBR
- GTCCRA, GTCCRC, and GTCCRD
- GTCCRB, GTCCRE, and GTCCRF.

22.3.2.1 GTPR register buffer operation

GTPBR can function as a buffer register for GTPR. The buffer transfer is performed at an overflow (during up-counting) or an underflow (during down-counting) in saw-wave mode or in event count, and at a trough in triangle-wave mode.

In saw-wave mode or in event count, the buffer transfer is performed when the following counter clear operations occur during counting:

- Clear by hardware sources (the clear source is selected in GTCSR[23:0])
- Clear by software (when GTCSR.CCLR bit is 1 and GTCLR[n] bit is set to 1, n = channel number)

Figure 22.18 to Figure 22.20 show examples of the GTPR buffer operation, and Figure 22.21 shows an example for setting the GTPR buffer operation.

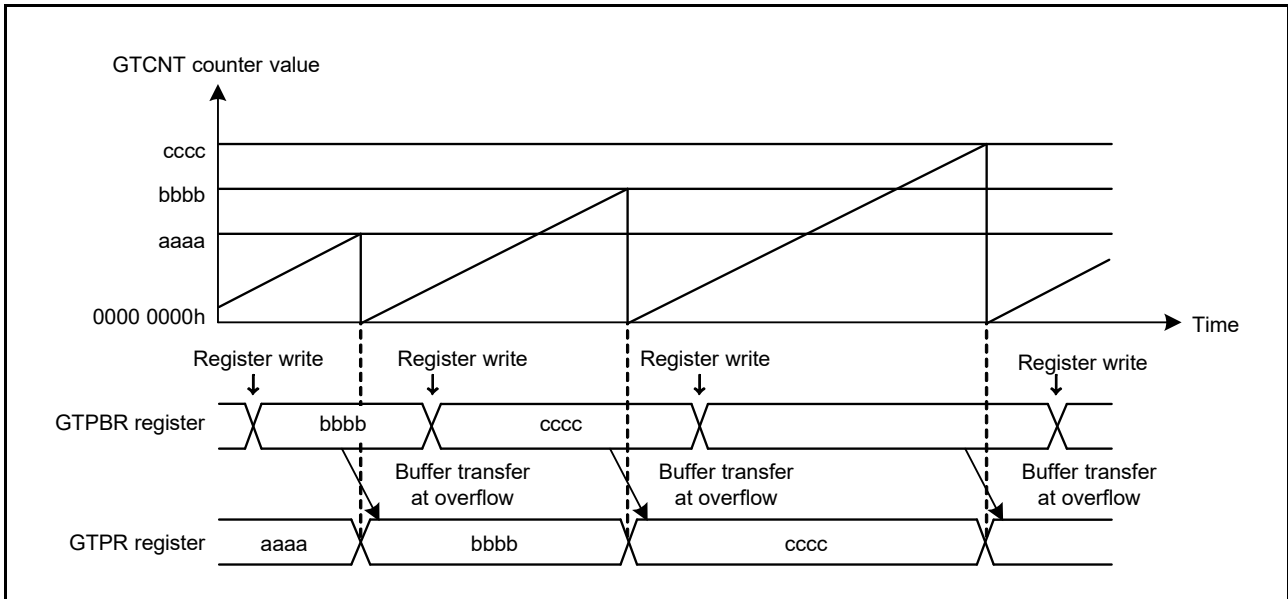


Figure 22.18 Example of GTPR buffer operation with saw waves in up-counting

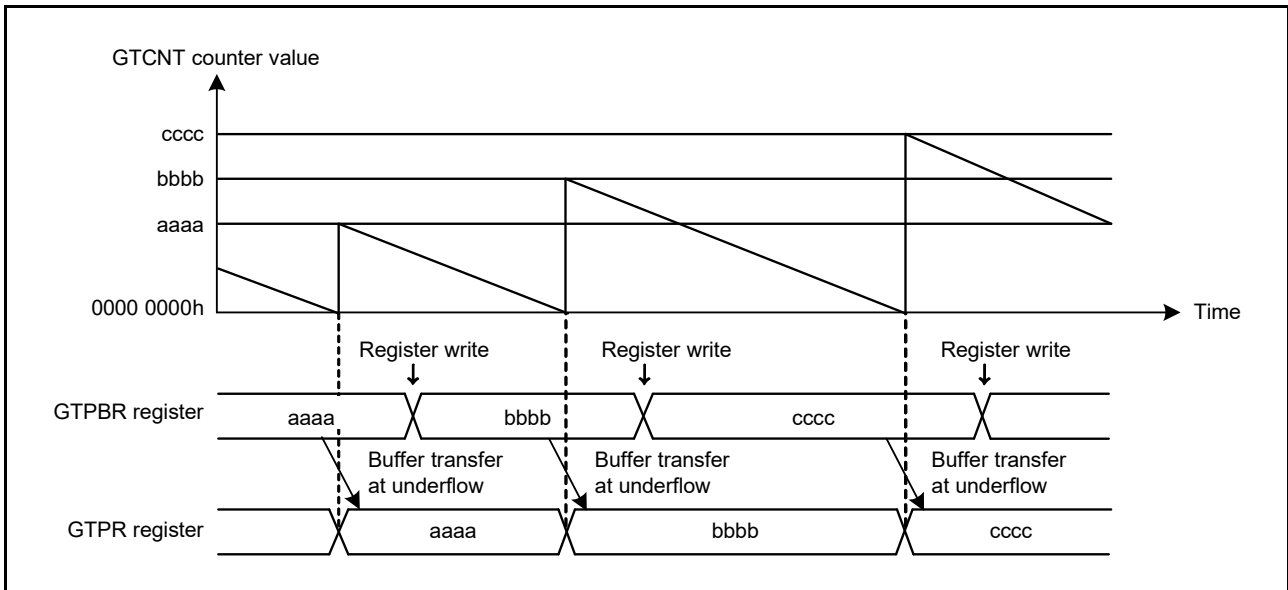


Figure 22.19 Example of GTPR buffer operation with saw waves in down-counting

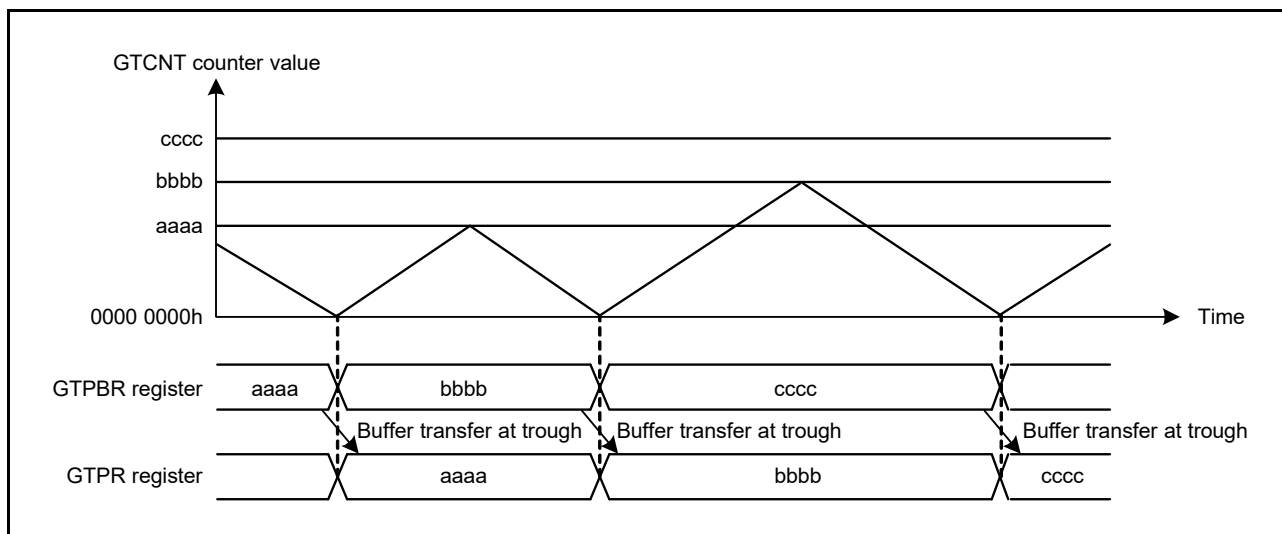


Figure 22.20 Example of GTPR buffer operation in triangle waves

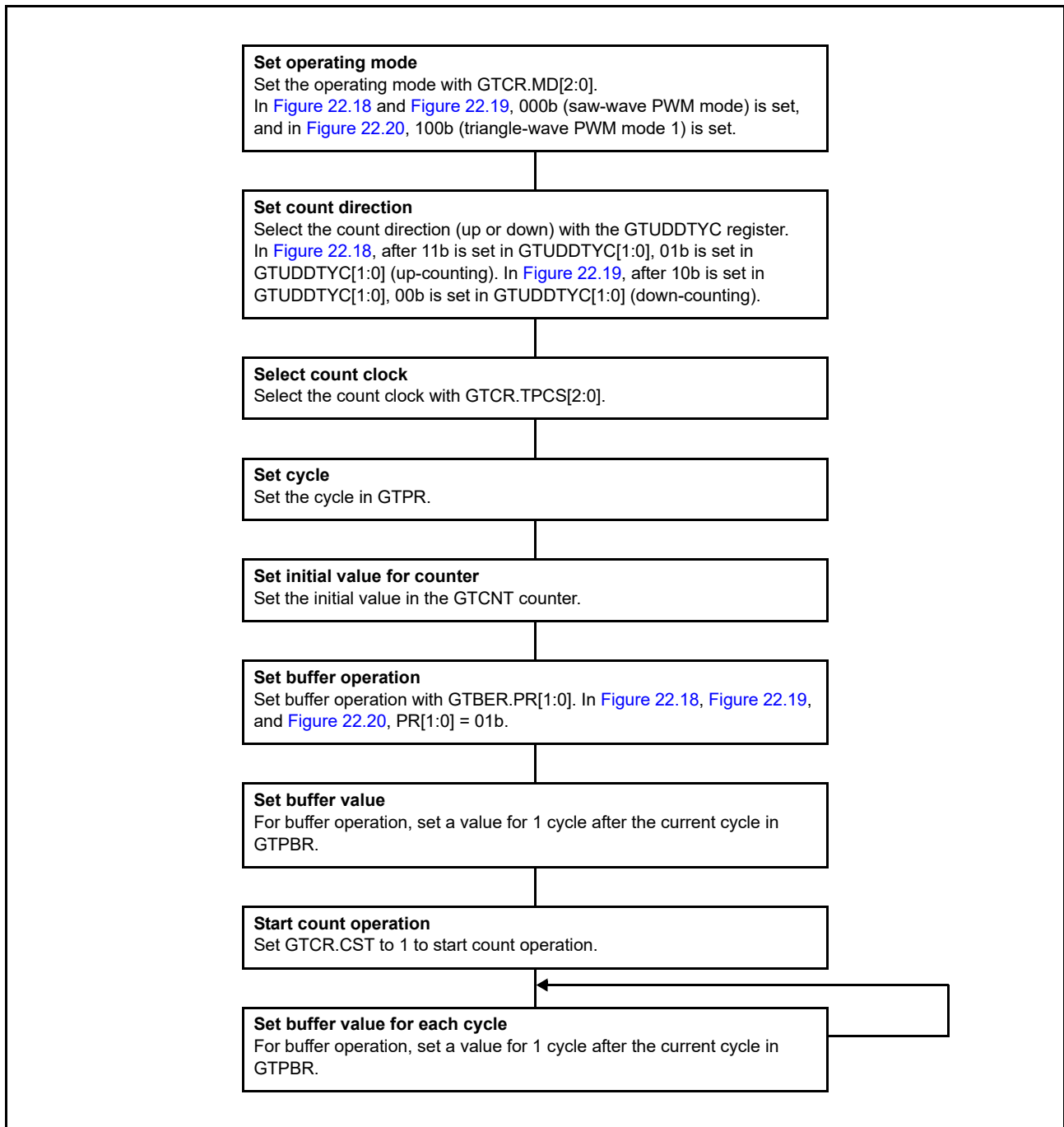


Figure 22.21 Example for setting GTPR buffer operation

22.3.2.2 Buffer operation for GTCCRA and GTCCRB

GTCCRC can function as the GTCCRA buffer register and GTCCRD can function as the GTCCRC buffer register (double-buffer register for GTCCRA). Similarly, GTCCRE can function as the GTCCRB buffer register and GTCCRF can function as the GTCCRE buffer register (double-buffer register for GTCCRB).

To set GTCCRA or GTCCRB to function as a double buffer, set GTBER.CCRA[1:0] or GTBER.CCRB[1:0] to 10b or 11b. For single buffer operation, set GTBER.CCRA[1:0] or GTBER.CCRB[1:0] to 01b. To set GTCCRA or GTCCRB to not function as a buffer, set GTBER.CCRA[1:0] or GTBER.CCRB[1:0] to 00b.

(1) When GTCCRA or GTCCRB functions as an output compare register

Buffer transfer occurs in the following situations:

- Buffer transfer by overflow or underflow
Buffer transfer is performed at an overflow (during up-counting) or an underflow (during down-counting) in saw-wave mode or in event count operation. In triangle-wave mode, buffer transfer is performed at a trough (triangle-wave PWM mode 1) or a crest and trough (triangle-wave PWM mode 2).
- Buffer transfer by counter clear
In saw-wave mode or in event count operation, during counting, buffer transfer (which is the same as an overflow during up-counting or an underflow during down-counting) is performed by the counter clear sources the same as in the case of [section 22.3.2.1, GTPR register buffer operation](#). In triangle-wave mode, buffer transfer is not performed by the counter clear.
- Forcible buffer transfer
When GTBER.CCRSWT bit is set to 1 while the count operation is stopped, the GTCCRA and the GTCCRB register buffer transfer are performed forcibly in saw-wave mode, in event count operation and in triangle-wave mode. Additionally, buffer transfer from the GTCCRD register to temporary register A and from the GTCCRF register to temporary register B are performed in saw-wave 1 shot pulse mode or triangle-wave PWM mode 3.

[Figure 22.22](#) to [Figure 22.24](#) show examples of GTCCRA and GTCCRB buffer operation and [Figure 22.25](#) shows an example for setting GTCCRA and GTCCRB buffer operation.

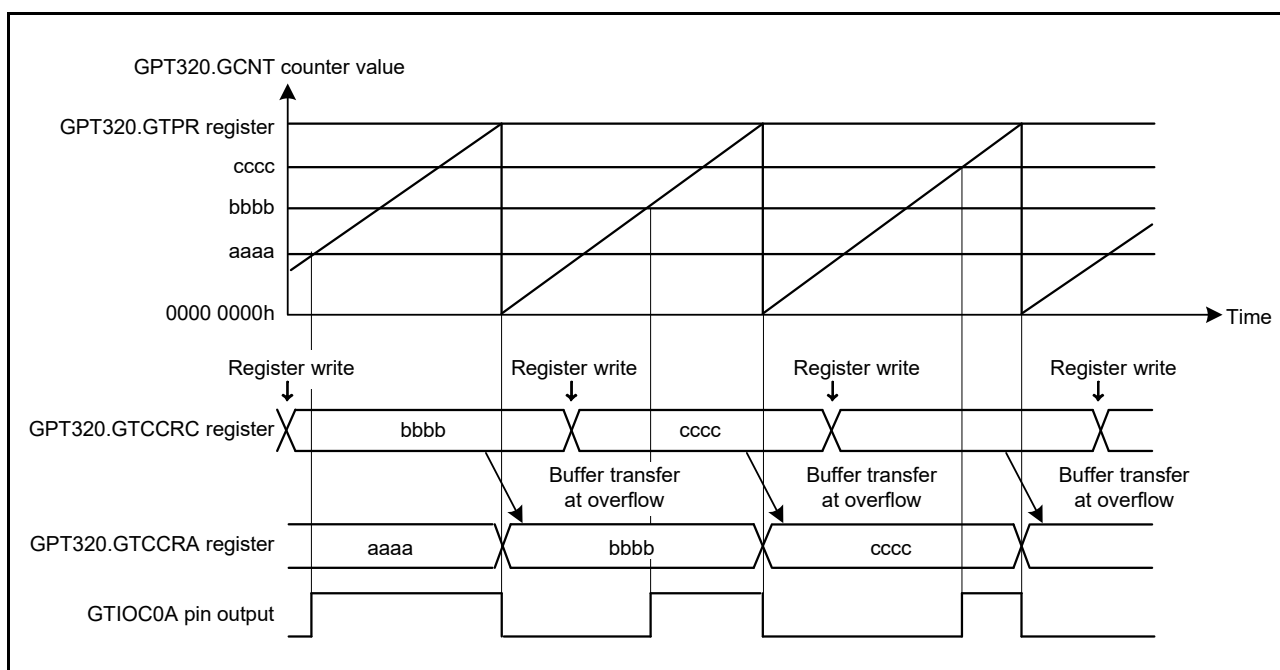


Figure 22.22 Example of GTCCRA and GTCCRB buffer operation with output compare, saw waves in up-counting, high output at GTCCRA compare match, and low output at cycle end

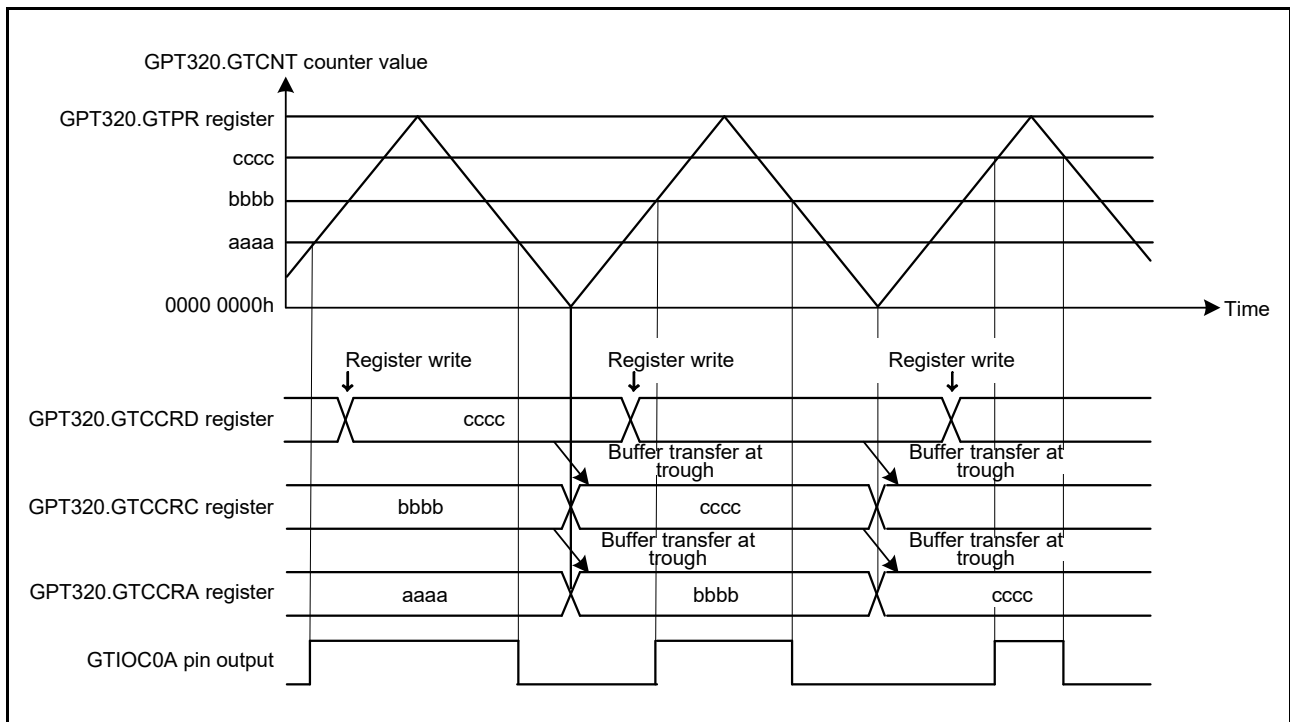


Figure 22.23 Example of GTCCRA and GTCCRB double buffer operation with output compare, triangle waves, buffer operation at trough, output toggled at GTCCRA compare match, and output retained at cycle end

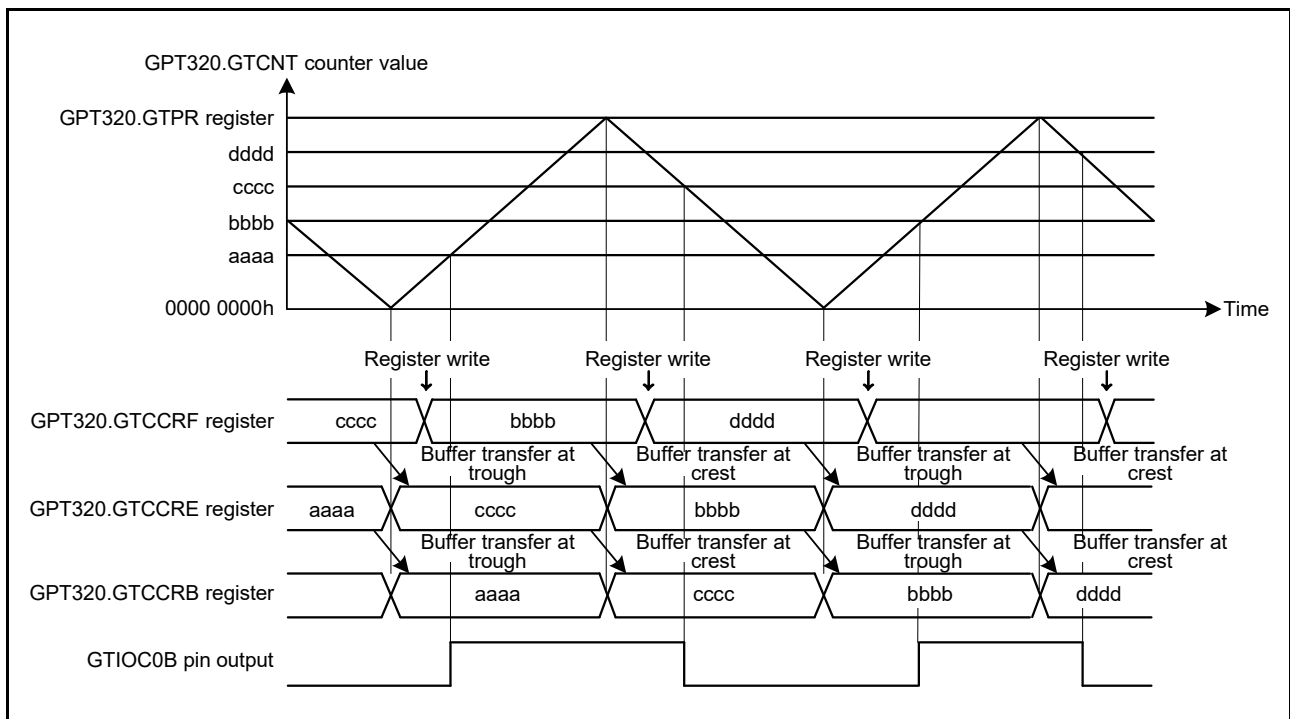


Figure 22.24 Example of GTCCRA and GTCCRB double buffer operation with output compare, triangle waves, buffer operation at both troughs and crests, output toggled at GTCCRB compare match, and output retained at cycle end

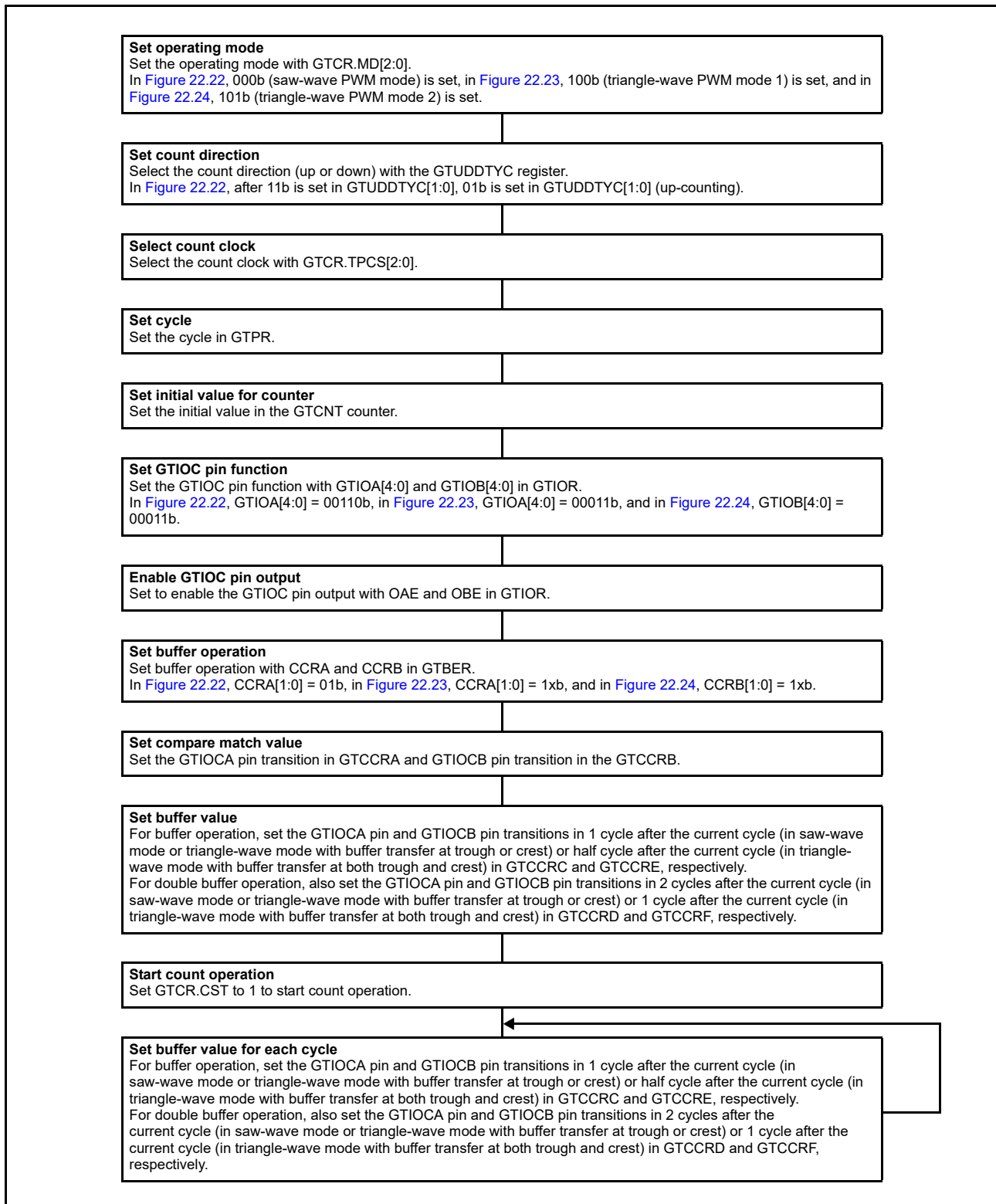


Figure 22.25 Example for setting GTCCRA and GTCCRB buffer operation for output compare

(2) When GTCCRA or GTCCRB functions as an input capture register

When an input capture is generated, the GTCNT counter value is transferred to GTCCRA and GTCCRB and the stored GTCCRA and GTCCRB register values are transferred to the buffer registers. In input capture operation, the buffer transfer is not performed by the counter clear.

Figure 22.26 and Figure 22.27 show examples of GTCCRA and GTCCRB buffer operation and Figure 22.28 shows an example for setting GTCCRA and GTCCRB buffer operation.

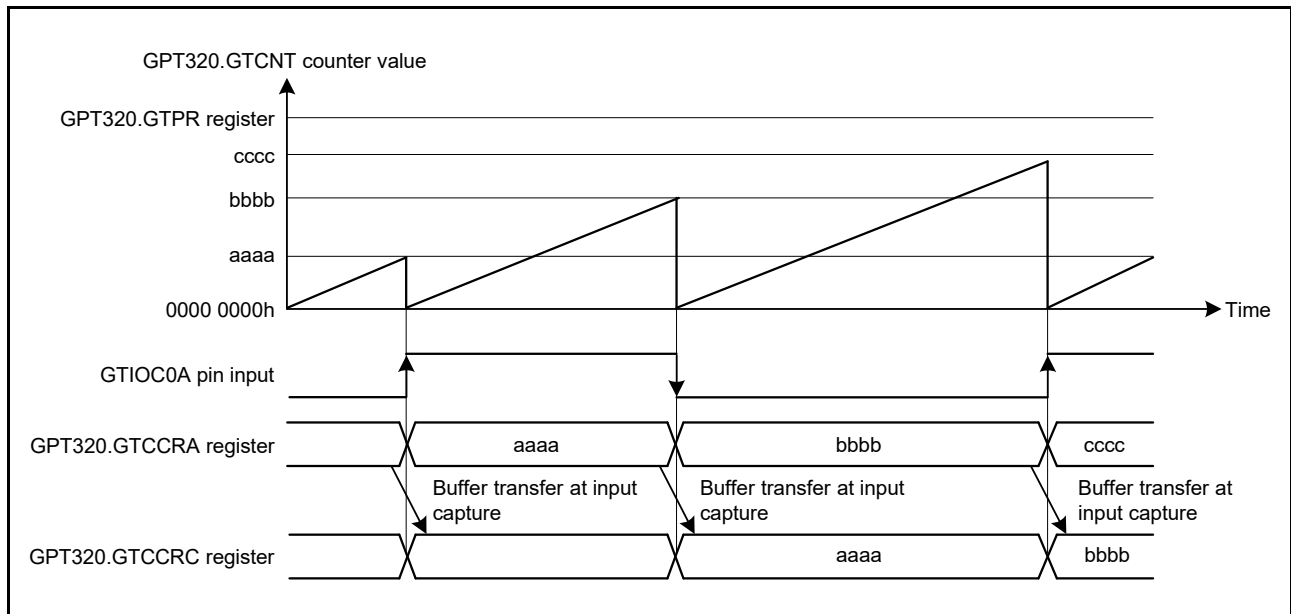


Figure 22.26 Example of GTCCRA and GTCCRB buffer operation with input capture at both edges of GTIOC0A input, saw waves in up-counting, and GTCNT counter cleared at both edges of GTIOC0A input

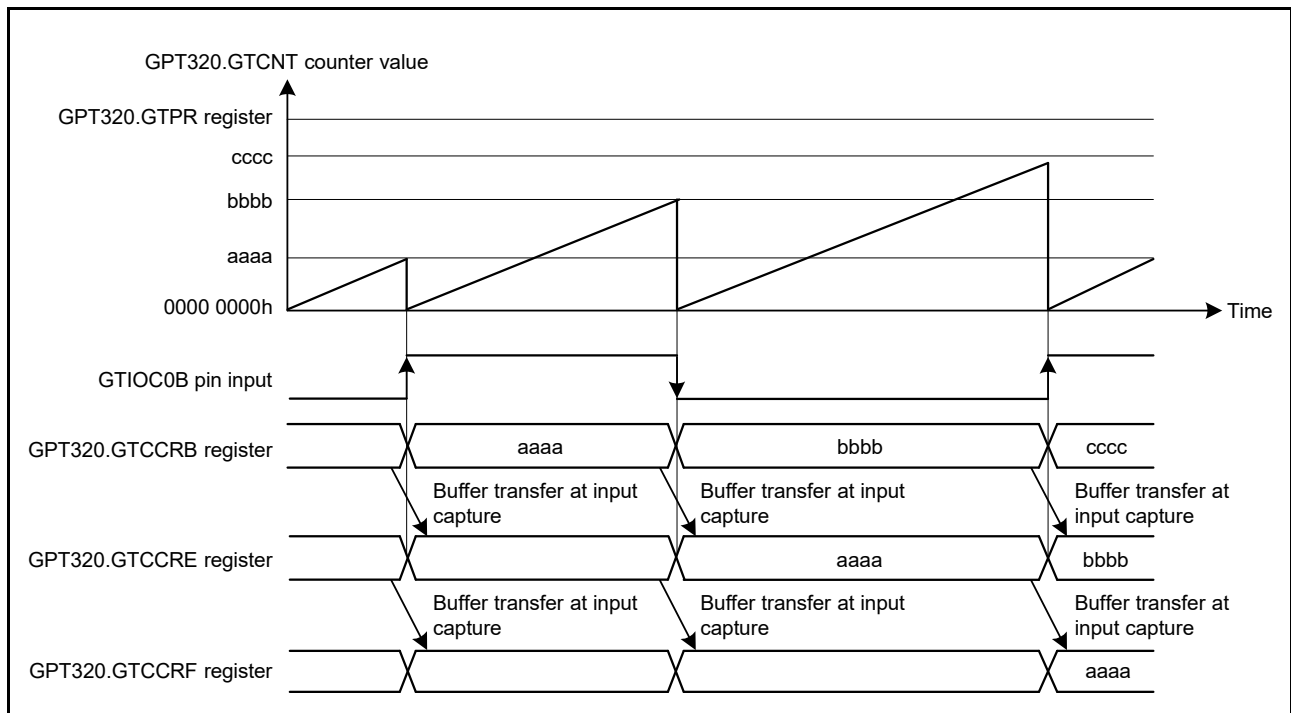


Figure 22.27 Example of GTCCRA and GTCCRB double buffer operation with input capture at both edges of GTIOC0B input, saw waves in up-counting, and GTCNT counter cleared at both edges of GTIOC0B input

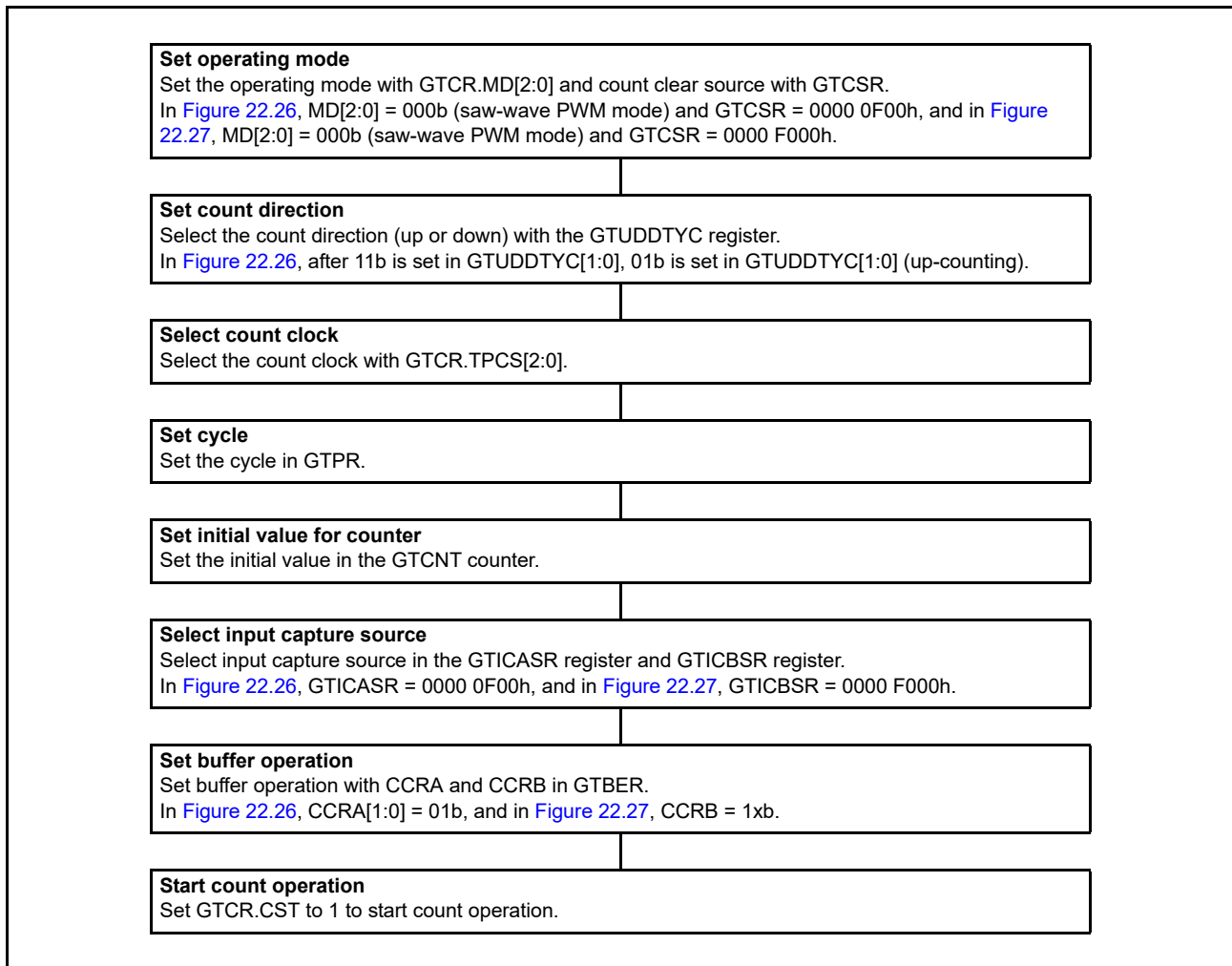


Figure 22.28 Example for setting GTCCRA and GTCCRB buffer operation with input capture

22.3.3 PWM Output Operating Mode

The GPT can output PWM waveforms to the GTIOCA or GTIOCB pin by a compare match between the GTCNT counter and GTCCRA or GTCCRB. By setting GTDTCR and GTDVU, the compare match value for a negative-phase waveform with dead time can automatically be set to GTCCRB.

22.3.3.1 Saw-wave PWM mode

In saw-wave PWM mode, GTCNT performs saw-wave (half-wave) operation by setting the cycle in GTPR. A PWM waveform is output to the GTIOCA or GTIOCB pin when a GTCCRA or GTCCRB compare match occurs. The pin output value can be selected from low output, high output, or toggle output separately for a compare match and for the cycle end according to the GTIOR setting.

Figure 22.29 shows an example of saw-wave PWM mode operation, and Figure 22.30 shows an example setting for saw-wave PWM mode.

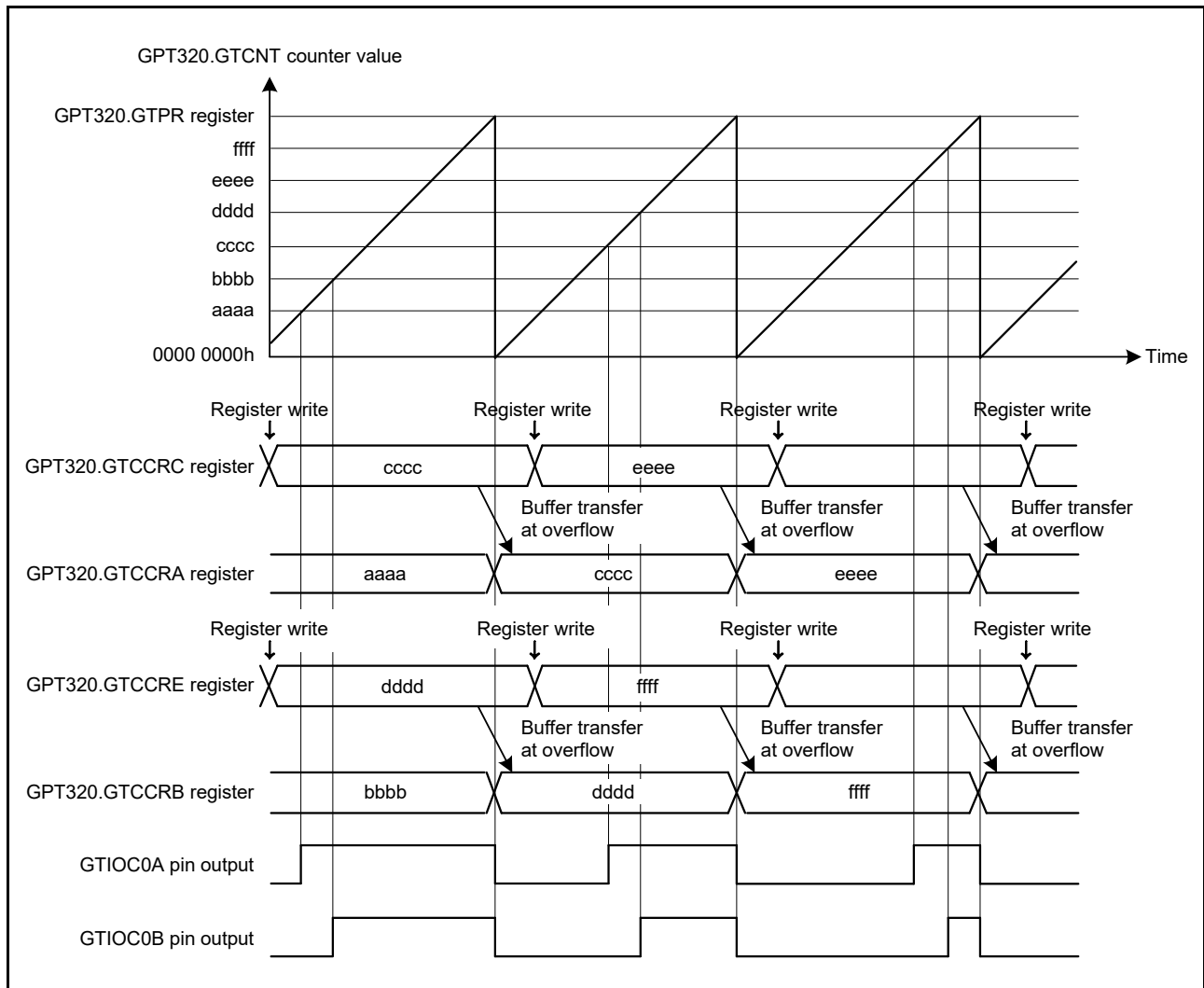


Figure 22.29 Example of saw-wave PWM mode operation with up-counting, buffer operation, high output at GTCCRA/GTCCRB compare match, and low output at cycle end

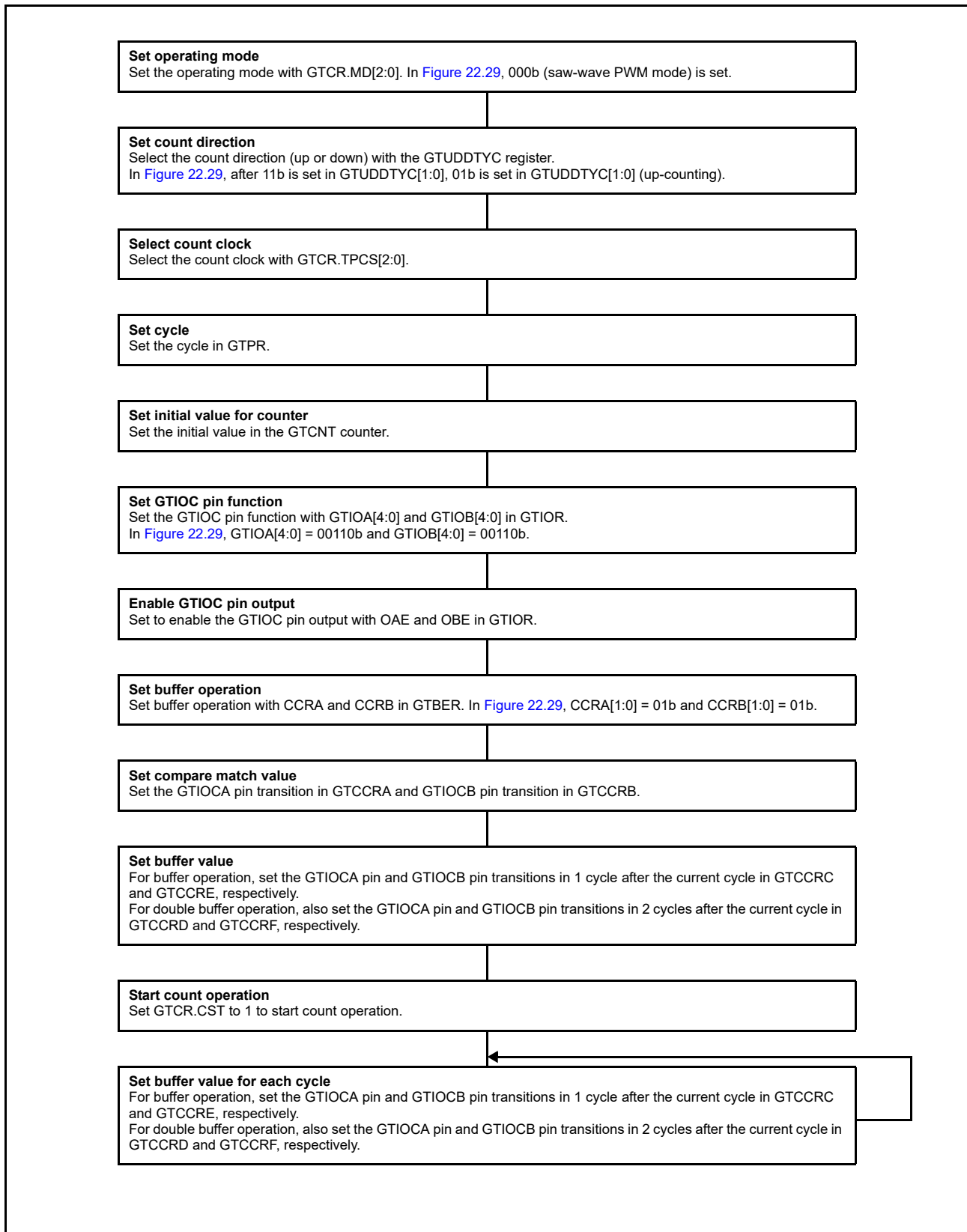


Figure 22.30 Example setting for saw-wave PWM mode

22.3.3.2 Saw-wave one-shot pulse mode

The saw-wave one-shot pulse mode is a mode in which the cycle is set in GTPR. The GTCNT counter performs saw-wave (half-wave) operation and a PWM waveform is output to the GTIOCA or GTIOCB pin at a compare match of GTCCRA or GTCCRB with buffer operation fixed.

Buffer operation in saw-wave one-shot pulse mode is different from the usual buffer operation. Buffer transfer is performed from:

- GTCCRC to CTCCRA at the cycle end
- GTCCRE to CTCCRB at the cycle end
- GTCCRD to temporary register A at the cycle end
- GTCCRF to temporary register B at the cycle end
- Temporary register A to GTCCRA at a GTCCRA compare match
- Temporary register B to GTCCRB at a GTCCRB compare match.

The pin output value can be selected from low output, high output, or toggle output separately for a compare match and the cycle end according to the GTIOR setting. When the GTBER.CCRSWT bit is set to 1 while the count operation is stopped, the buffer is transferred forcibly from the GTCCRD register to temporary register A and from the GTCCRF register to temporary register B. By setting GTDTCR and GTDVU, a compare match value for a negative-phase waveform with dead time can automatically be set to GTCCRB.

Figure 22.31 shows an example of saw-wave one-shot pulse mode operation, and Figure 22.32 shows an example setting for saw-wave one-shot pulse mode.

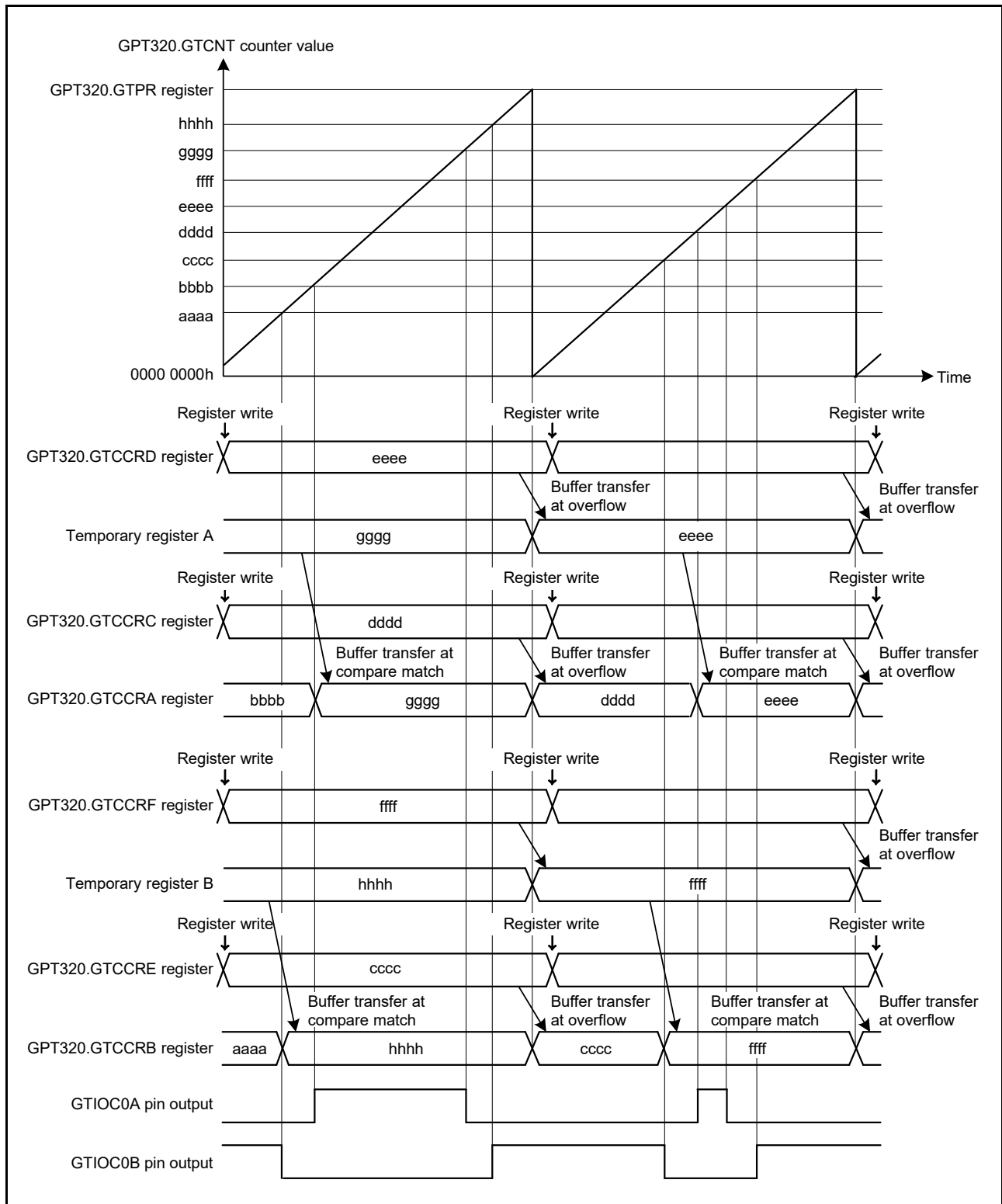


Figure 22.31 Example of saw-wave one-shot pulse mode operation with up-counting, low output from the GTIOC0A pin and high output from the GTIOC0B pin at count start, output toggled at GTCCRA/ GTCCRB compare match, and output retained at cycle end

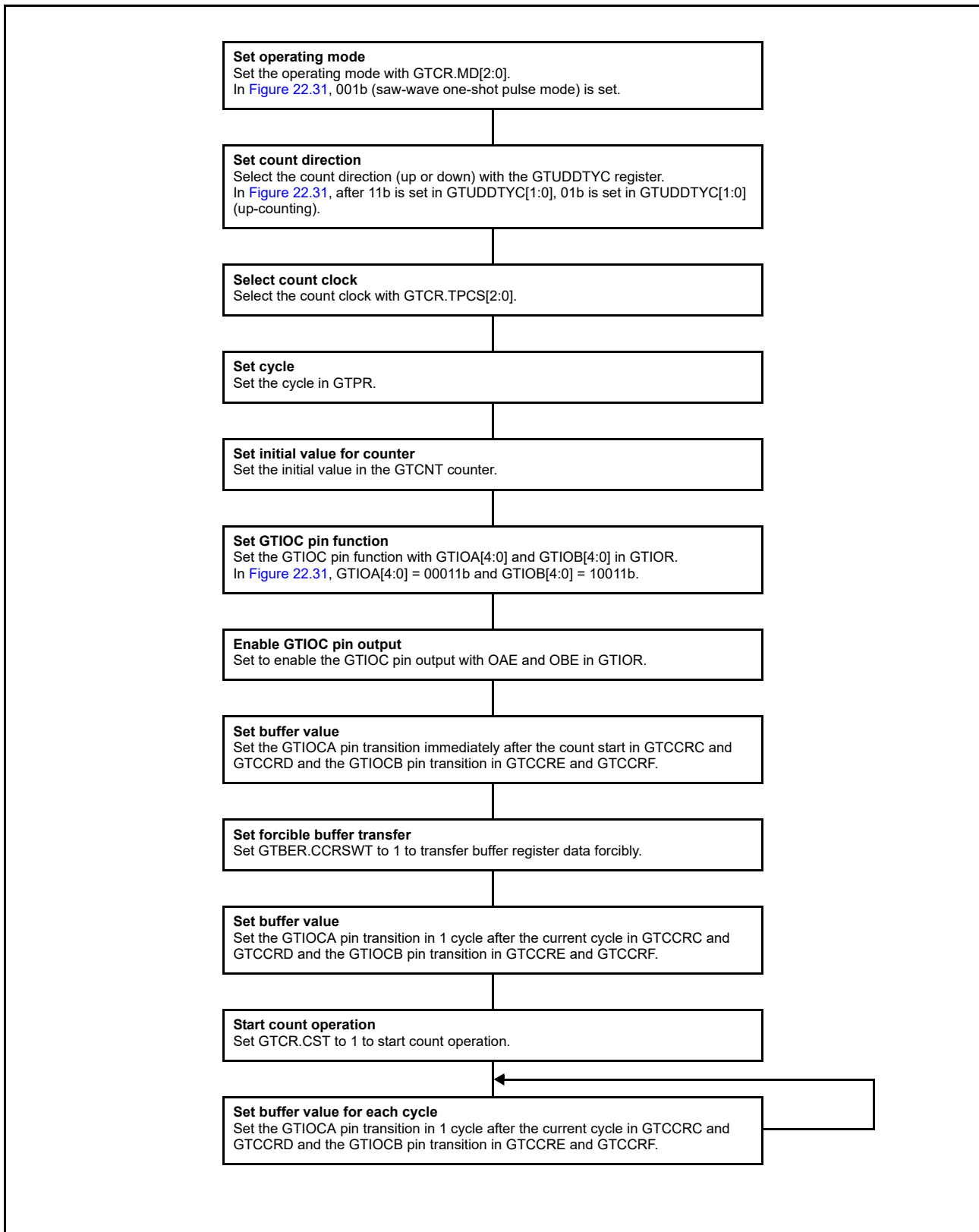


Figure 22.32 Example setting for saw-wave one-shot pulse mode

22.3.3.3 Triangle-wave PWM mode 1 (32-bit transfer at trough)

The triangle-wave PWM mode 1 is a mode in which the cycle is set in GTPR. The GTCNT counter performs triangle-wave (full-wave) operation, and a PWM waveform is output to the GTIOCA or GTIOCB pin when a GTCCRA or GTCCRB compare match occurs. Buffer transfer is performed at the trough. The pin output value can be selected from low output, high output, or toggle output separately for a compare match and for the cycle end based on the GTIOR setting.

By setting GTDTCR and GTDVU, a compare match value for a negative-phase waveform with dead time can automatically be set to GTCCRB.

Figure 22.33 shows an example of a triangle-wave PWM mode 1 operation, and Figure 22.34 shows an example setting for a triangle-wave PWM mode 1.

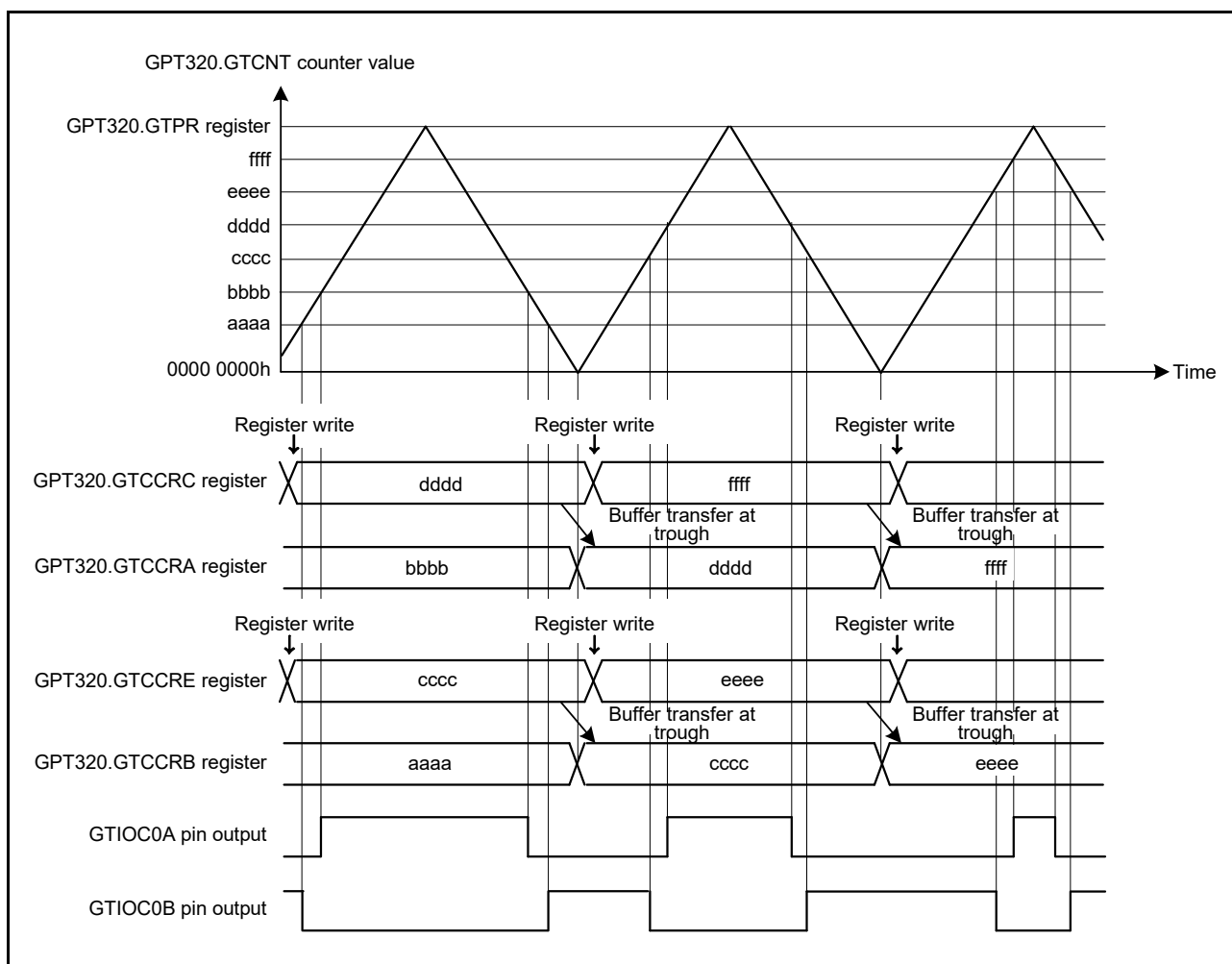


Figure 22.33 Example of triangle-wave PWM mode 1 operation with buffer operation, low output from the GTIOCA pin and high output from the GTIOCB pin at count start, output toggled at GTCCRA/GTCCRB register compare match, and output retained at cycle end

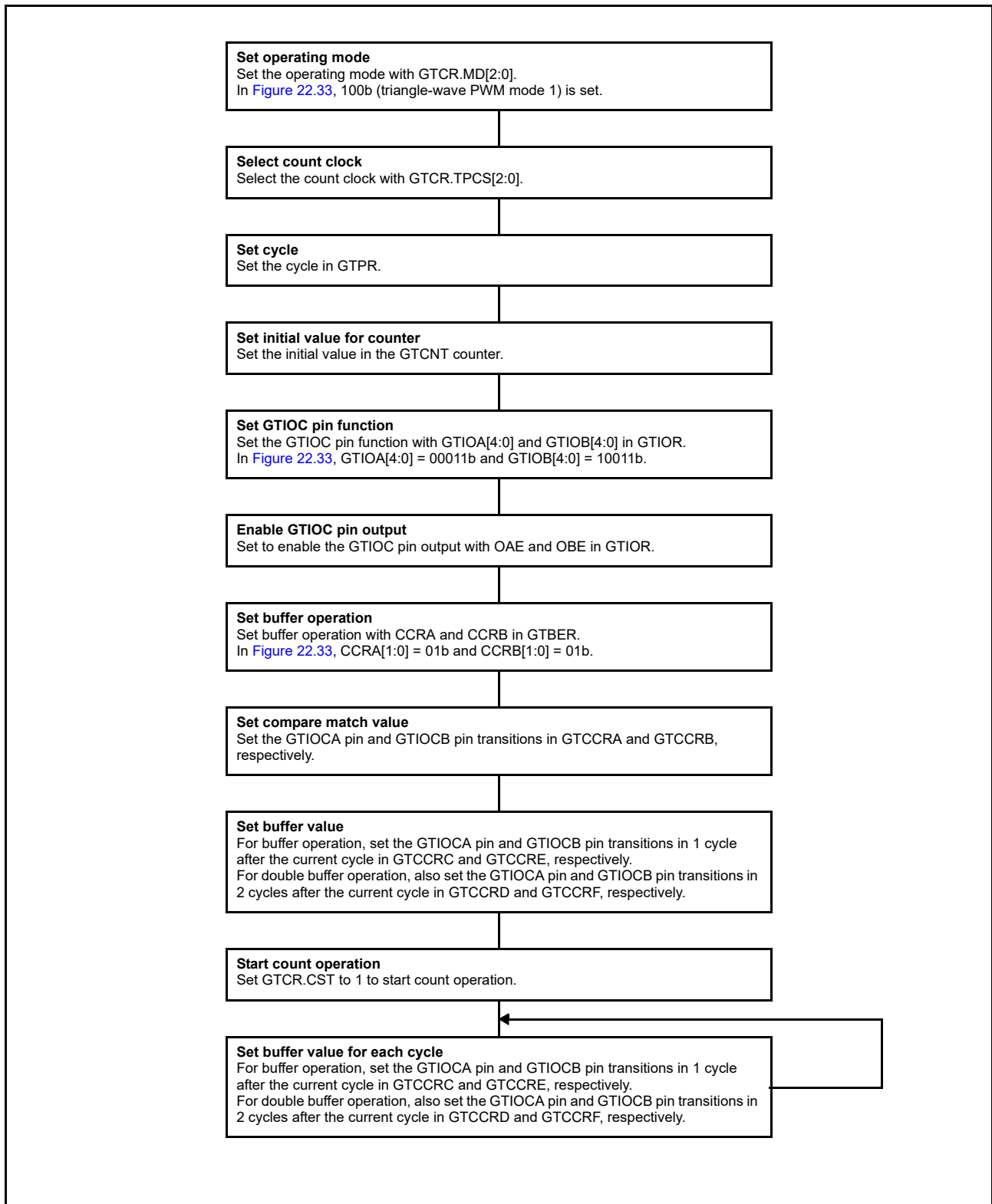


Figure 22.34 Example setting for triangle-wave PWM mode 1

22.3.3.4 Triangle-wave PWM mode 2 (32-bit transfer at crest and trough)

Similarly to triangle-wave PWM mode 1, in triangle-wave PWM mode 2 the cycle is set in GTPR. The GTCNT counter performs triangle-wave (full-wave) operation, and a PWM waveform is output to the GTIOCA or GTIOCB pin when a GTCCRA or GTCCRB compare match occurs. The buffer transfer is performed at both crests and troughs. The pin output value can be selected from low output, high output, or toggle output separately for a compare match and for the cycle end based on the GTIOR setting. By setting GTDTCR and GTDVU, a compare match value for a negative-phase waveform with dead time can automatically be set to GTCCRB.

Figure 22.35 shows an example of triangle-wave PWM mode 2 operation, and Figure 22.36 shows an example setting for triangle-wave PWM mode 2.

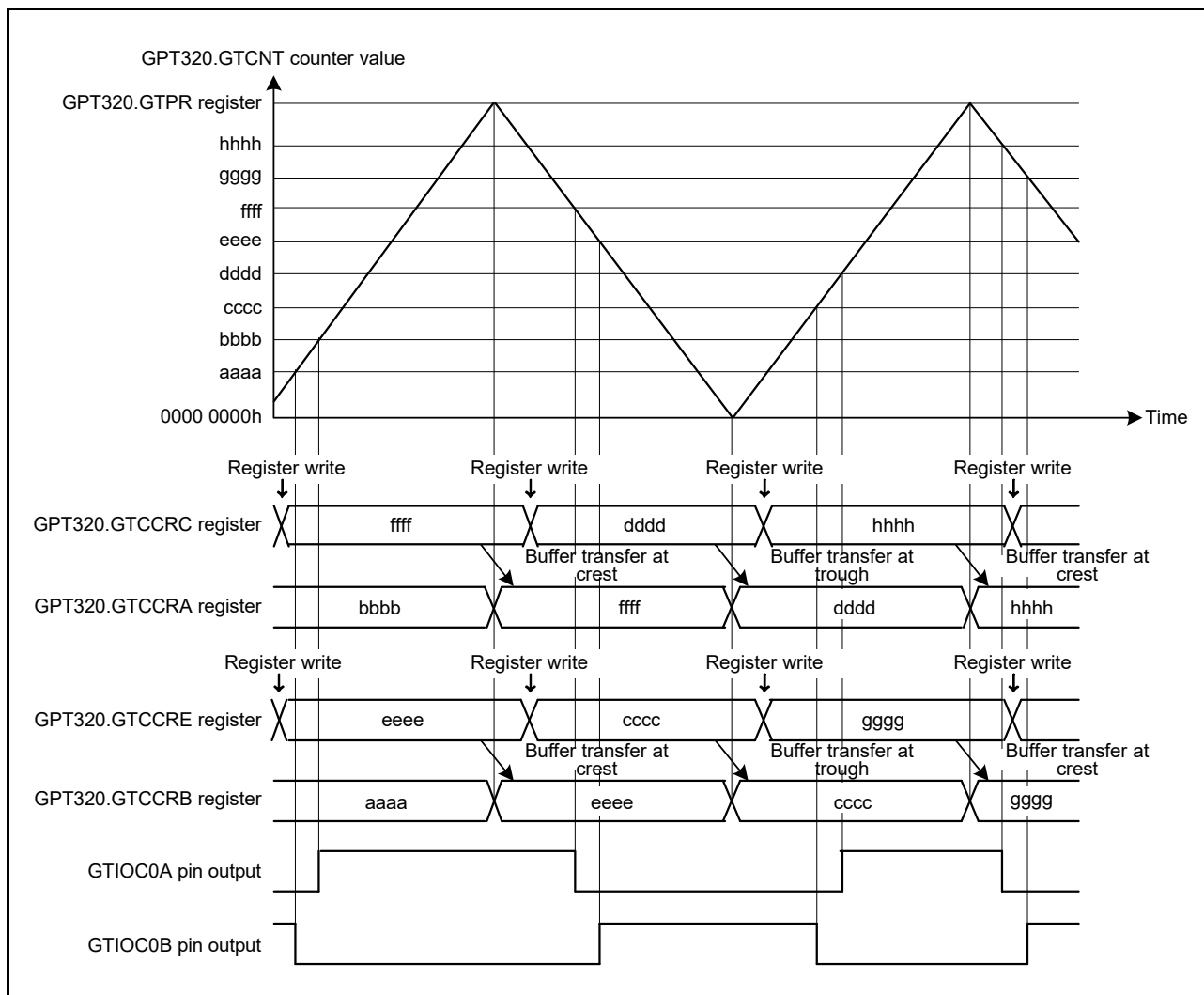


Figure 22.35 Example of triangle-wave PWM mode 2 operation with buffer operation, low output from the GTIOCA pin and high output from the GTIOCB pin at count start, output toggled at GTCCRA/GTCCRB compare match, and output retained at cycle end

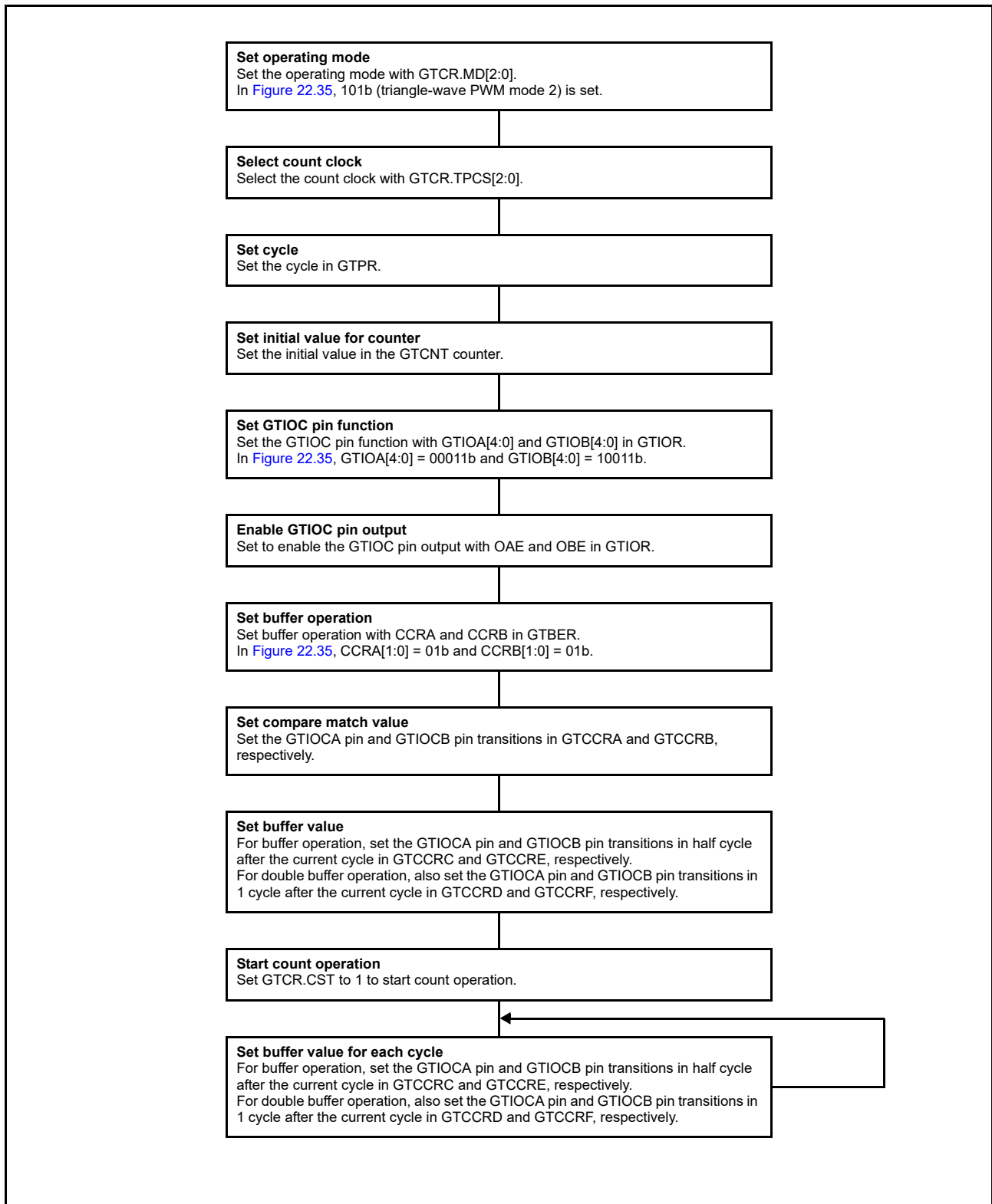


Figure 22.36 Example setting for triangle-wave PWM mode 2

22.3.3.5 Triangle-wave PWM mode 3 (64-bit transfer at trough)

The triangle-wave PWM mode 3 is a mode in which the cycle is set in GTPR. The GTCNT counter performs triangle-wave (full-wave) operation and a PWM waveform is output to the GTIOCA or GTIOCB pin at a compare match of GTCCRA or GTCCRB with buffer operation fixed. Buffer operation in triangle-wave PWM mode 3 is different from the usual buffer operation. Buffer transfer is performed from the following:

- GTCCRC to GTCCRA at the trough
- GTCCRE to GTCCRB at the trough
- GTCCRD to temporary register A at the trough
- GTCCRF to temporary register B at the trough
- Temporary register A to GTCCRA at the crest
- Temporary register B to GTCCRB at the crest.

The pin output value can be selected from low output, high output, or toggle output separately for a compare match and for the cycle end according to the GTIOR setting. By setting GTDTCR and GTDVU, a compare match value for a negative-phase waveform with dead time can automatically be set to GTCCRB.

Figure 22.37 shows an example of triangle-wave PWM mode 3 operation, and Figure 22.38 shows an example setting for triangle-wave PWM mode 3.

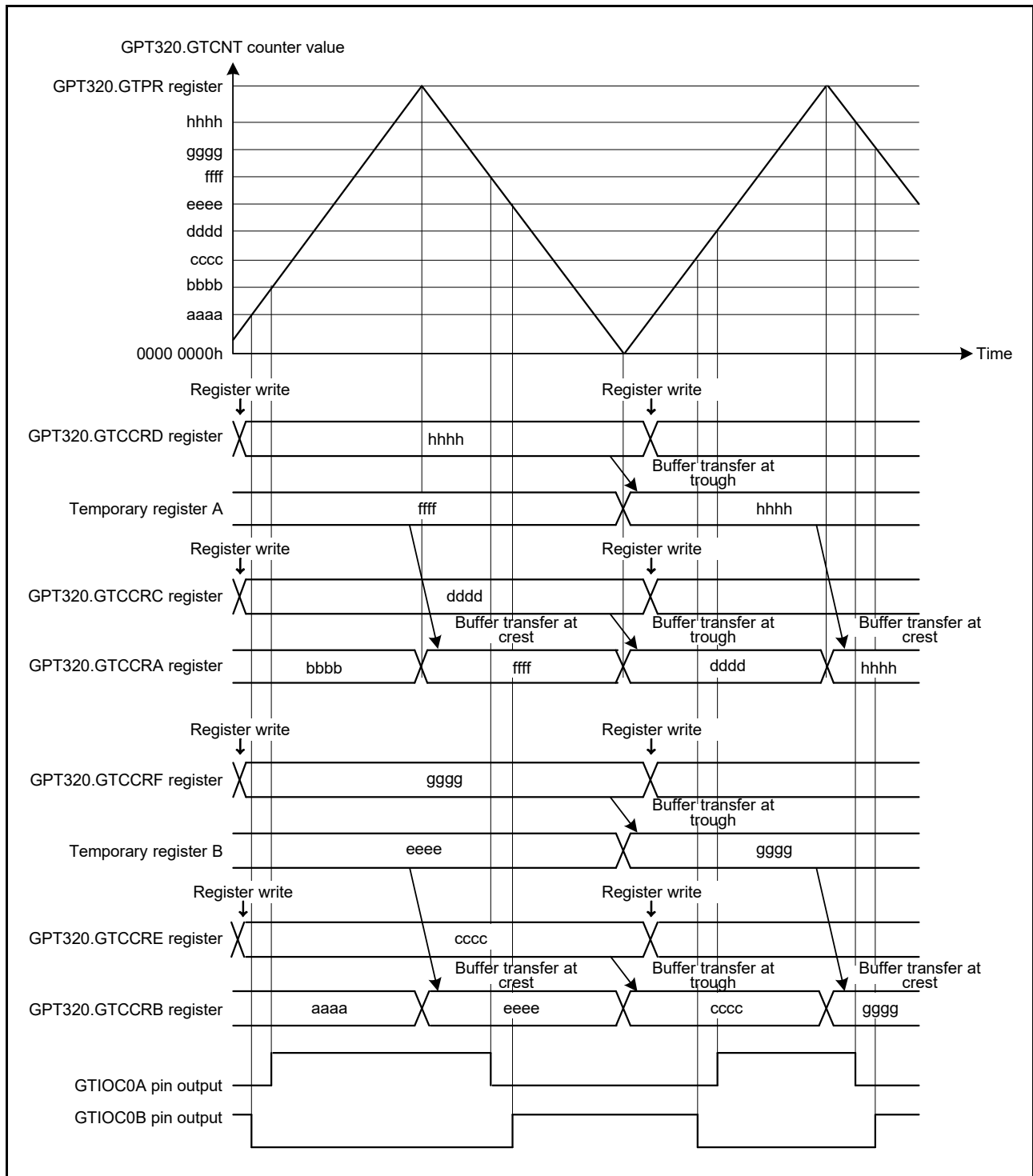


Figure 22.37 Example of triangle-wave PWM mode 3 operation with low output from the GTIOC0A pin and high output from the GTIOC0B pin at count start, output toggled at GTCCRA/GTCCRB compare match, and output retained at cycle end

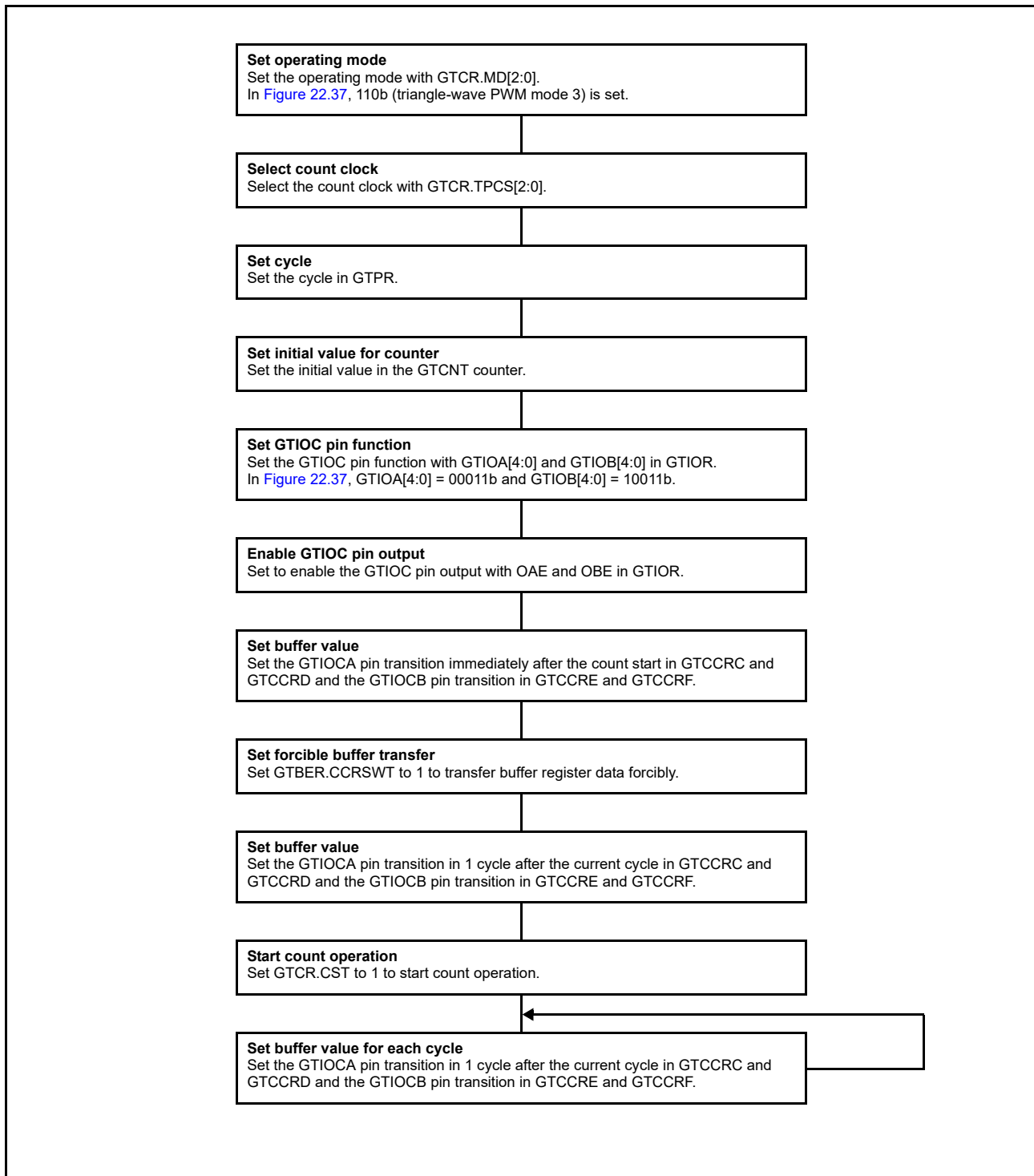


Figure 22.38 Example setting for triangle-wave PWM mode 3

22.3.4 Automatic Dead Time Setting Function

By setting GTDTCR, a compare match value for a negative waveform with dead time obtained by a compare match value for a positive waveform (GTCCRA value) and specified dead time value (GTDVU value) can automatically be set to GTCCRB. The automatic dead time setting function can be used in saw-wave one-shot pulse mode and all the triangle PWM modes.

Writing to GTCCRB is prohibited when the automatic dead time setting function is used. Dead time setting beyond the cycle is also prohibited. Values for automatic dead time setting can be read from GTCCRB. The automatic dead time

value setting to GTCCRB is performed at the next count clock cycle when registers that are used for calculating the automatic dead time value are updated.

Figure 22.39 to Figure 22.42 show examples of automatic dead time setting function operation. Figure 22.43 and Figure 22.44 show the setting examples.

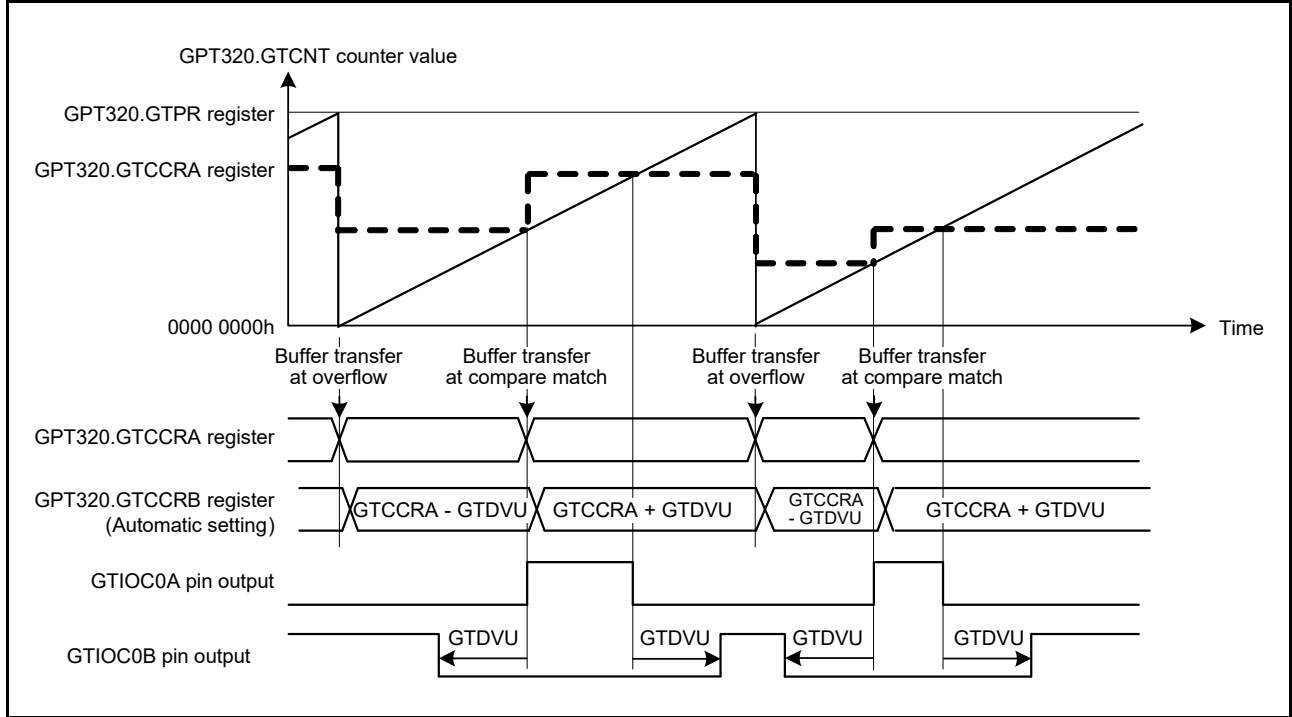


Figure 22.39 Example of automatic dead time setting function operation with saw-wave one-shot pulse mode, up-counting, and active-high

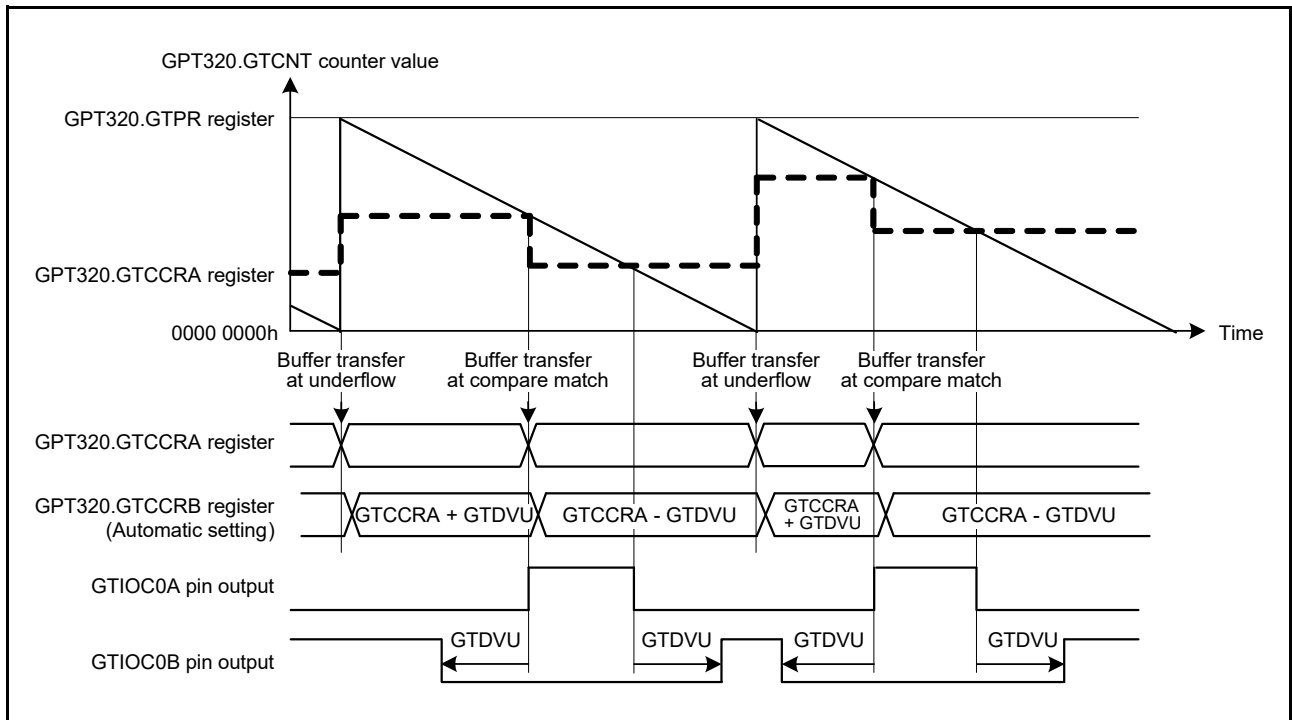


Figure 22.40 Example of automatic dead time setting function operation with saw-wave one-shot pulse mode, down-counting, and active-high

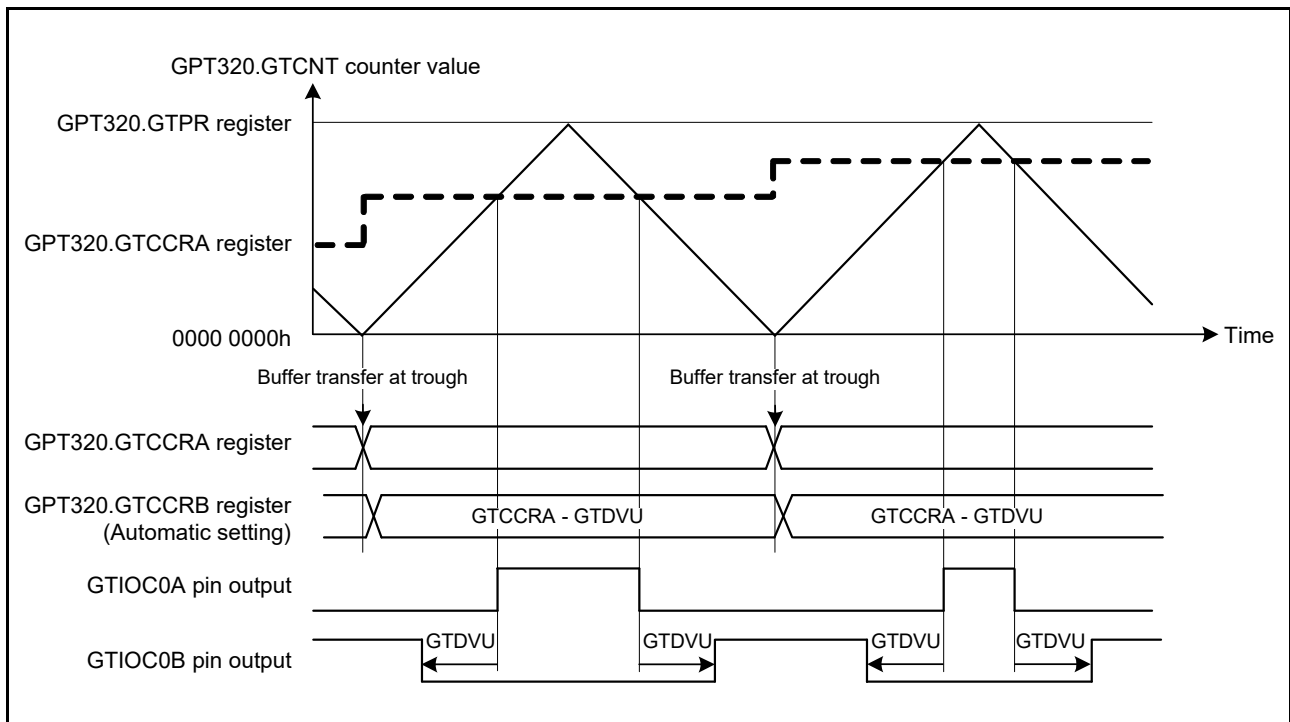


Figure 22.41 Example of automatic compare-match value setting function with dead time with triangle-wave PWM mode 1, and active-high

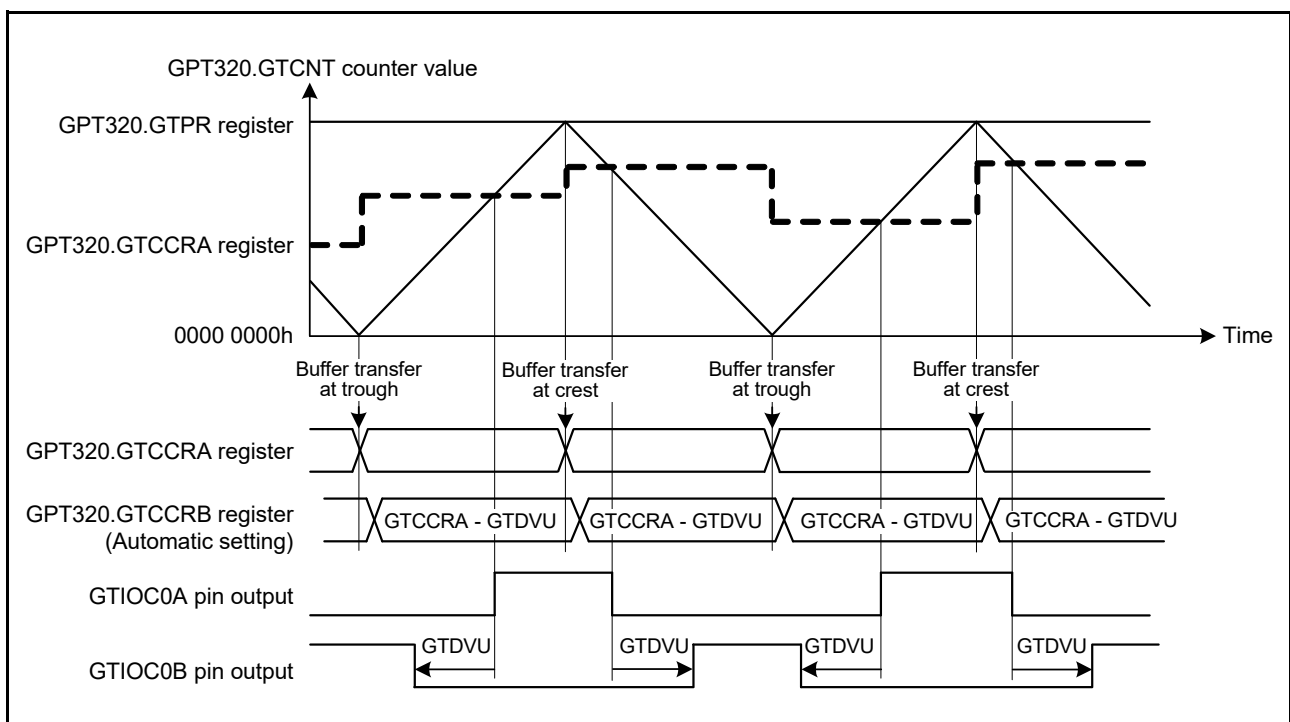


Figure 22.42 Example of automatic compare-match value setting function with dead time with triangle-wave PWM mode 2 or 3, and active-high

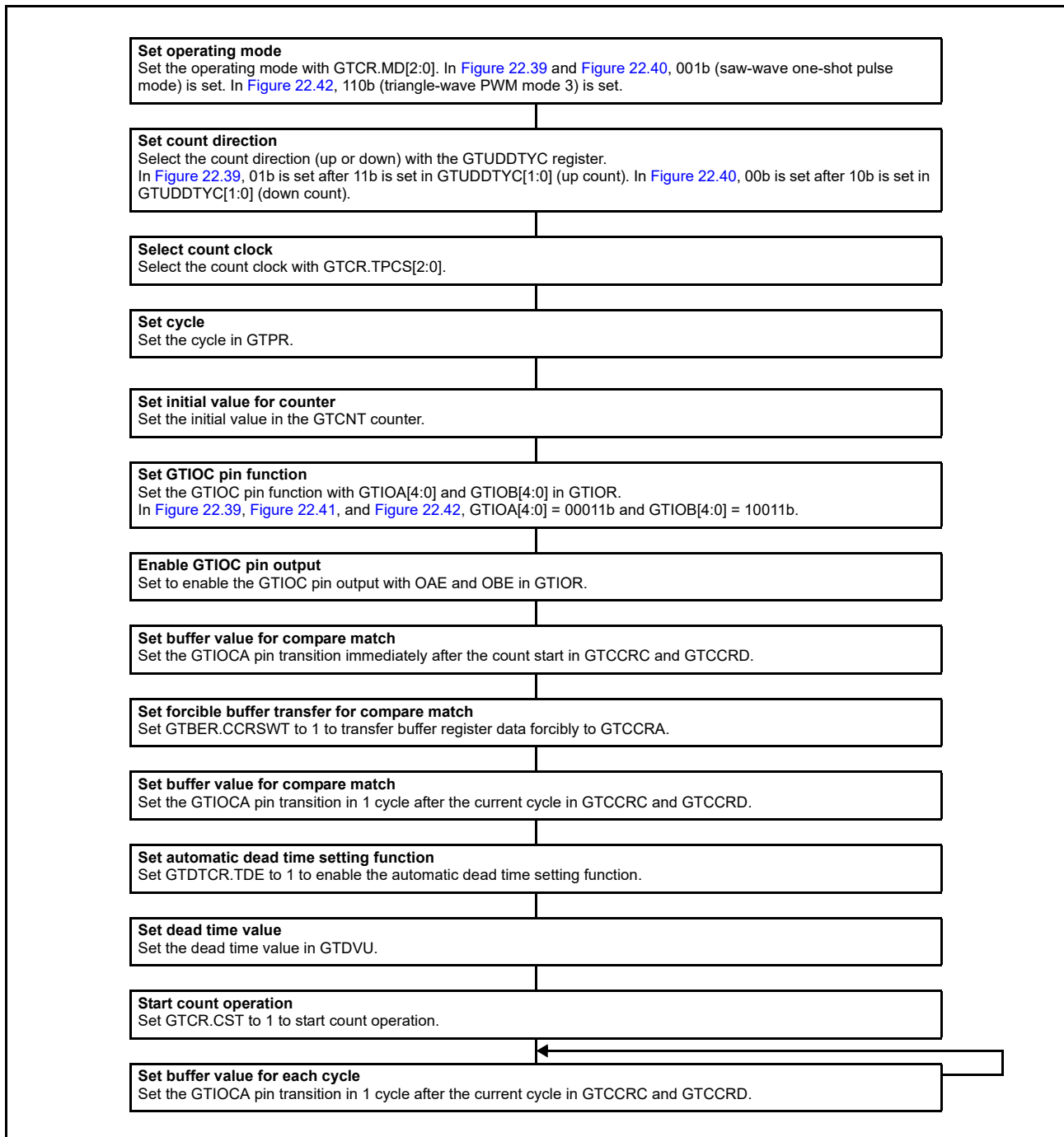


Figure 22.43 Example setting for automatic dead time setting function with saw-wave one-shot pulse mode, triangle-wave PWM mode 3

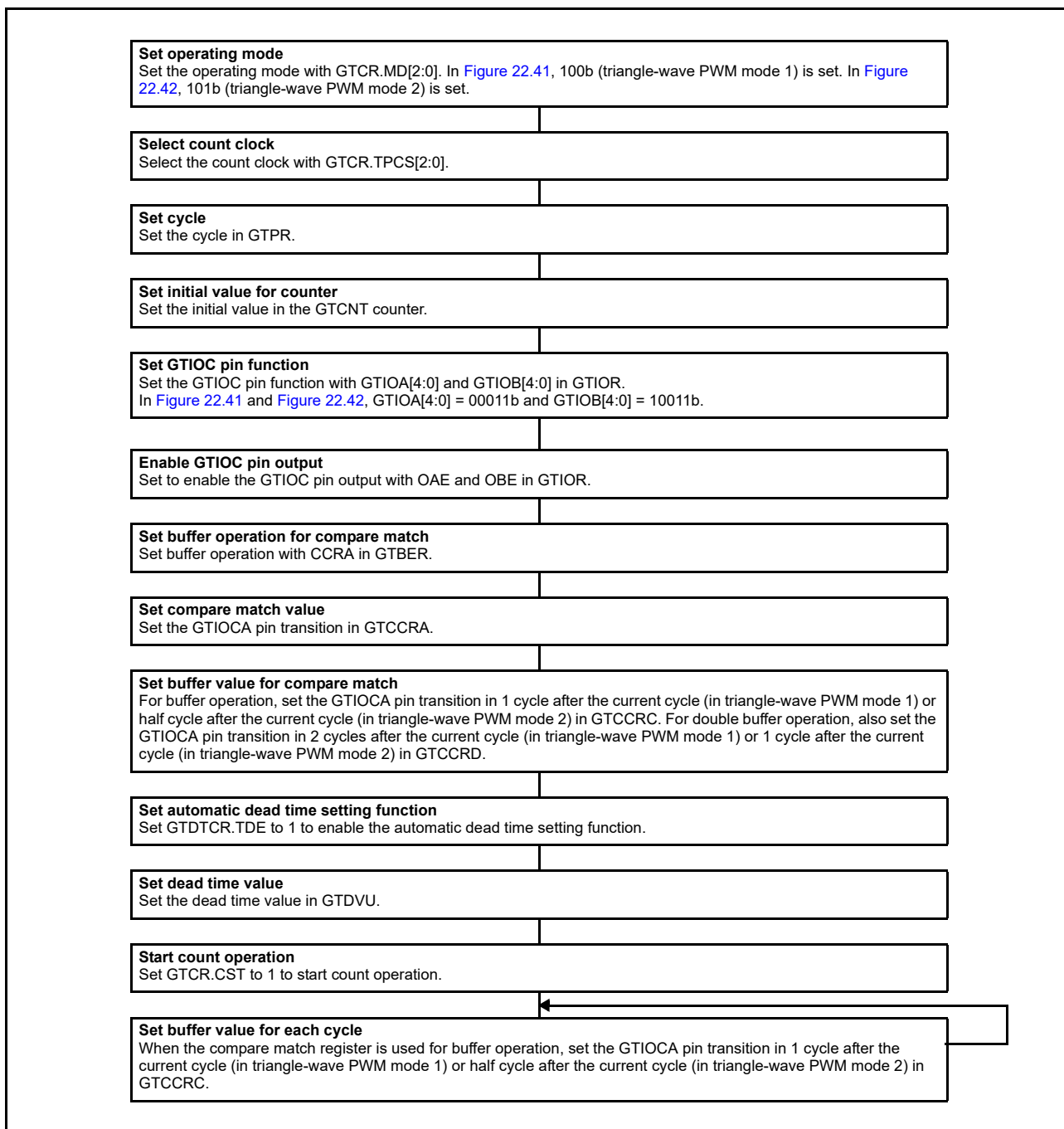


Figure 22.44 Example setting for automatic dead time setting function with triangle-wave PWM mode 1 or 2

22.3.5 Count Direction Changing Function

The count direction of the GTCNT counter can be changed by modifying the UD bit in GTUDDTYC.

In saw-wave mode, if the UD bit in GTUDDTYC is modified during count operation, the count direction is changed at an overflow (when modified during up-counting) or an underflow (when modified during down-counting). If the GTUDDTYC.UD bit is modified while the count operation is stopped and the GTUDDTYC.UDF bit is 0, the GTUDDTYC.UD bit modification is not reflected at the start of counting and the count direction changes at an overflow or an underflow. If the UDF bit is set to 1 while the count operation is stopped, the GTUDDTYC.UD bit value at that time is reflected at the start of counting.

In triangle-wave mode, the count direction does not change even though the UD bit in GTUDDTYC is modified during the count operation. Similarly, even though the GTUDDTYC.UD bit is modified while the count operation is stopped

and GTUDDTYC.UDF bit is 0, the GTUDDTYC.UD bit value is not reflected to the count operation. If the GTUDDTYC.UDF bit is set to 1 while the count operation is stopped, the GTUDDTYC.UD bit value at that time is reflected at the start of counting.

If the count direction changes during a saw-wave count operation, the GTPR value after the start of up-counting is reflected to the count cycle during up-counting and the GTPR value before the start of down-counting is reflected during down-counting.

Figure 22.45 shows an example of count direction changing function operation.

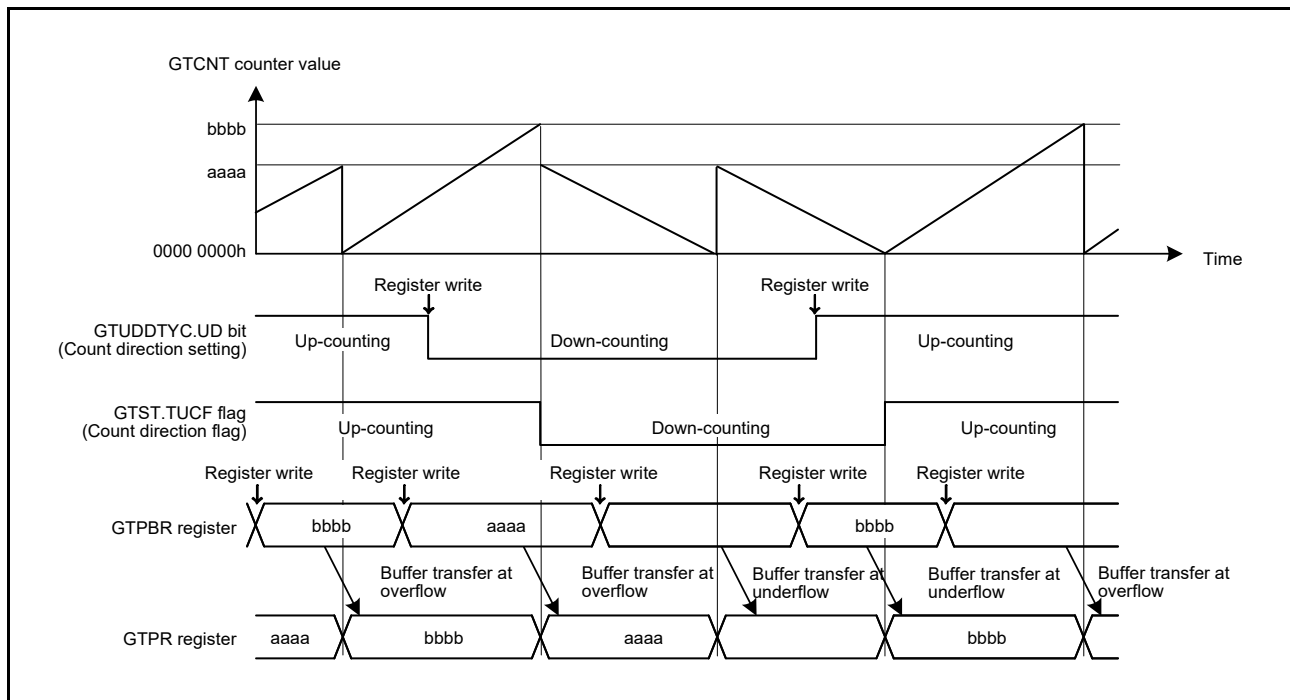


Figure 22.45 Example of a count direction changing function operation during buffer operation

22.3.6 Function of Output Duty 0% and 100%

The output duty of the GTIOCA pin and the GTIOCB pin are set to 0% or 100% by changing the GTUDDTYC.OADTY bit or GTUDDTYC.OBDTY bit.

In saw-wave mode, if the GTUDDTYC.OADTY bit or the GTUDDTYC.OBDTY bit is modified during the count operation, the output duty setting is reflected at an overflow (when modified during up-counting) or an underflow (when modified during down-counting). If the GTUDDTYC.OADTY bit or the GTUDDTYC.OBDTY bit is modified while the count operation is stopped and the GTUDDTYC.OADTYF or the GTUDDTYC.OBDTYF bit is 0, the output duty modification is not reflected at the start of counting. The output duty changes at an overflow or an underflow. If the GTUDDTYC.OADTYF or the GTUDDTYC.OBDTYF bit is set to 1 while the count operation is stopped, the GTUDDTYC.OADTY bit or the GTUDDTYC.OBDTY bit value at that time is reflected at the start of counting.

In triangle-wave mode, if the GTUDDTYC.OADTY bit or the GTUDDTYC.OBDTY bit is modified during the count operation, the output duty setting is reflected an underflow.

If the GTUDDTYC.OADTY bit or the GTUDDTYC.OBDTY bit is modified while the count operation is stopped and the GTUDDTYC.OADTYF or the GTUDDTYC.OBDTYF bit is 0, the output duty modification is not reflected at the start of counting. The output duty changes at an underflow. If the GTUDDTYC.OADTY bit or the GTUDDTYC.OBDTY bit is modified while the count operation is stopped and the GTUDDTYC.OADTYF or the GTUDDTYC.OBDTYF bit is 1, the output duty modification is reflected at the start of counting.

In performing 0%/100% duty operation, GPT internally continues to:

- Perform compare match operation
- Set compare match flag

- Output interrupt
- Perform buffer operation.

When the control is changed from 0% or 100% duty setting to compare match, the output value of GTIOCA pin at cycle end is determined by GTIOR.GTIOA[3:2] and GTUDDTYC.OADTYR. The output value of GTIOCB pin at cycle end is determined by GTIOR.GTIOB[3:2] and GTUDDTYC.OBDTYR.

When GTIOR.GTIOA[3:2] and GTIOR.GTIOB[3:2] are set to 01b, the output pins output low at cycle end. When GTIOR.GTIOA[3:2] and GTIOR.GTIOB[3:2] are set to 10b, the output pins output high at cycle end.

GTUDDTYC.OADTYR selects the value that is the object of output retained/toggled at cycle end, when GTIOR.GTIOm[3:2] are set to 00b (output retained at cycle end) or when GTIOR.GTIOm[3:2] are set to 11b (output toggled at cycle end). Table 22.6 shows the values of GTIOCA/GTIOCB pin output at cycle end.

Table 22.6 Output values after releasing 0%/100% duty setting (m = A, B)

| GTIOR.GTIOm[3:2] | Compare match value at cycle end masked by 0%/100% duty setting | GTUDDTYC.OmDTYR in duty 0% setting | | GTUDDTYC.OmDTYR in duty 100% setting | |
|--------------------------------------|-----------------------------------------------------------------------|---------------------------------------|---|-----------------------------------------|---|
| | | 0 | 1 | 0 | 1 |
| 00 (output retained at cycle end) | 0 | 0 | 0 | 1 | 0 |
| | 1 | 0 | 1 | 1 | 1 |
| 01 (low output at cycle end) | - | 0 | 0 | 0 | 0 |
| 10 (high output at cycle end) | - | 1 | 1 | 1 | 1 |
| 11 (output toggled at cycle end) | 0 | 1 | 1 | 0 | 1 |
| | 1 | 1 | 0 | 0 | 0 |

Figure 22.46 shows an example of output duty 0% and 100% function operation.

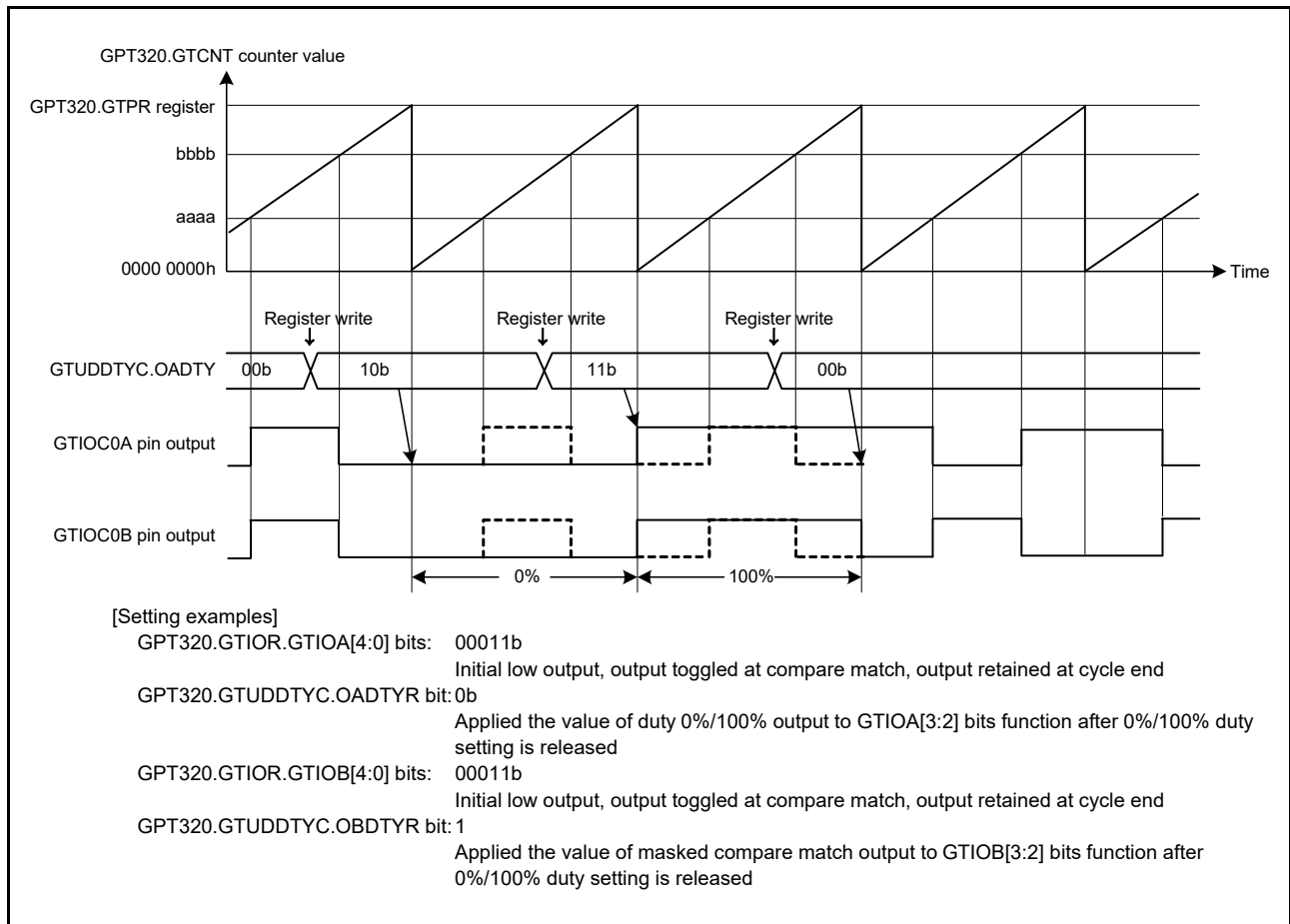


Figure 22.46 Example of output duty 0% and 100% function

22.3.7 Hardware Count Start/Count Stop and Clear Operation

The GTCNT counter can be started, stopped, or cleared by the following hardware sources:

- External trigger input
- ELC event input
- GTIOCA/GTIOCB pin input.

22.3.7.1 Hardware start operation

The GTCNT counter can be started by selecting a hardware source using GTSSR.

Figure 22.47 shows an example of a count start operation by a hardware source. Figure 22.48 shows the setting example.

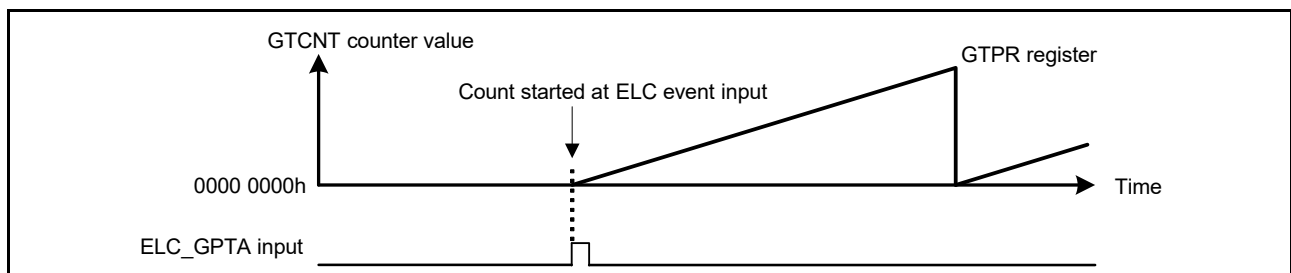


Figure 22.47 Example of count start operation by hardware source started, at the input of the signal from the ELC_GPTA

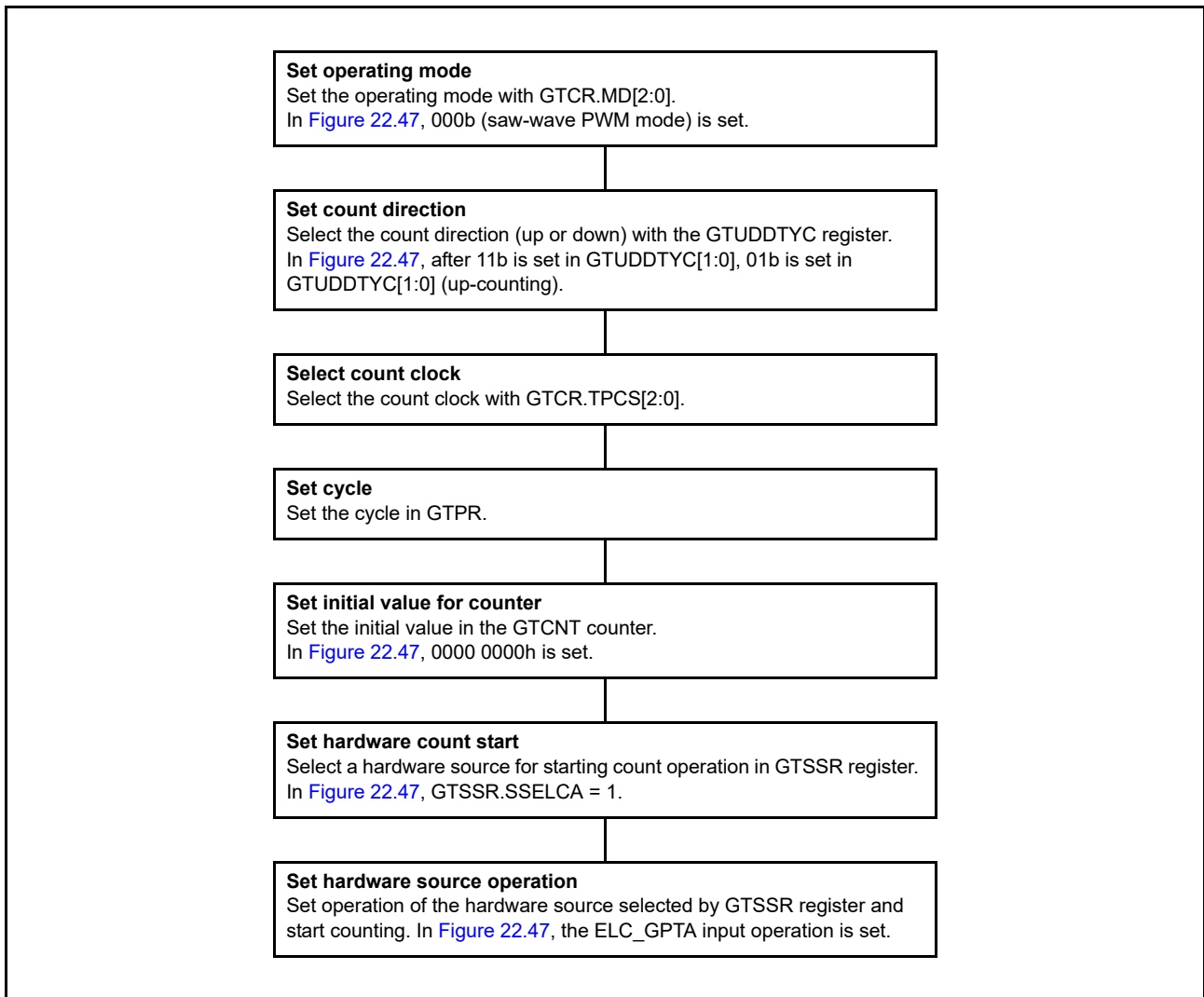


Figure 22.48 Example setting for count start operation by a hardware source

22.3.7.2 Hardware stop operation

The GTCNT counter can be stopped by selecting a hardware source using GTPSR.

Figure 22.49 shows an example of a count stop operation by a hardware source. Figure 22.50 shows the setting example. In this example, the count operation stops and restarts at the edge of the ELC event input.

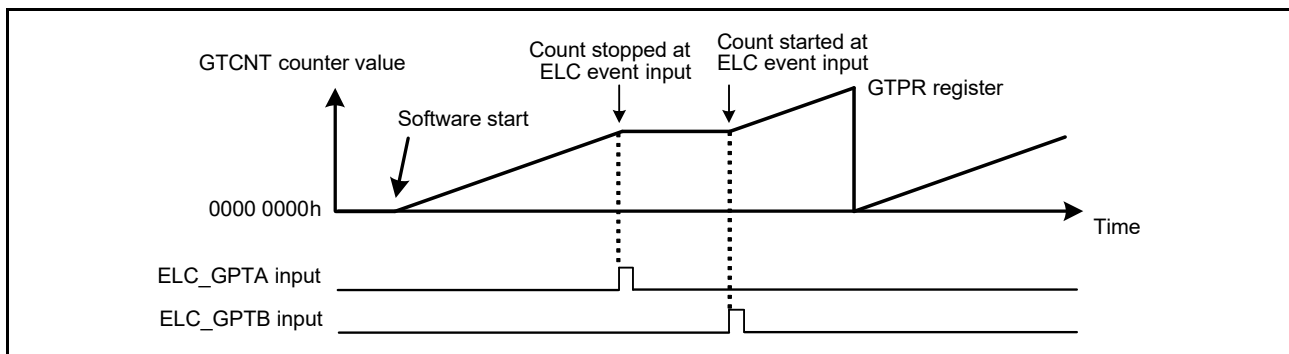


Figure 22.49 Example of count stop operation by a hardware source started by software, stopped at ELC_GPTA input, and restarted at ELC_GPTB input

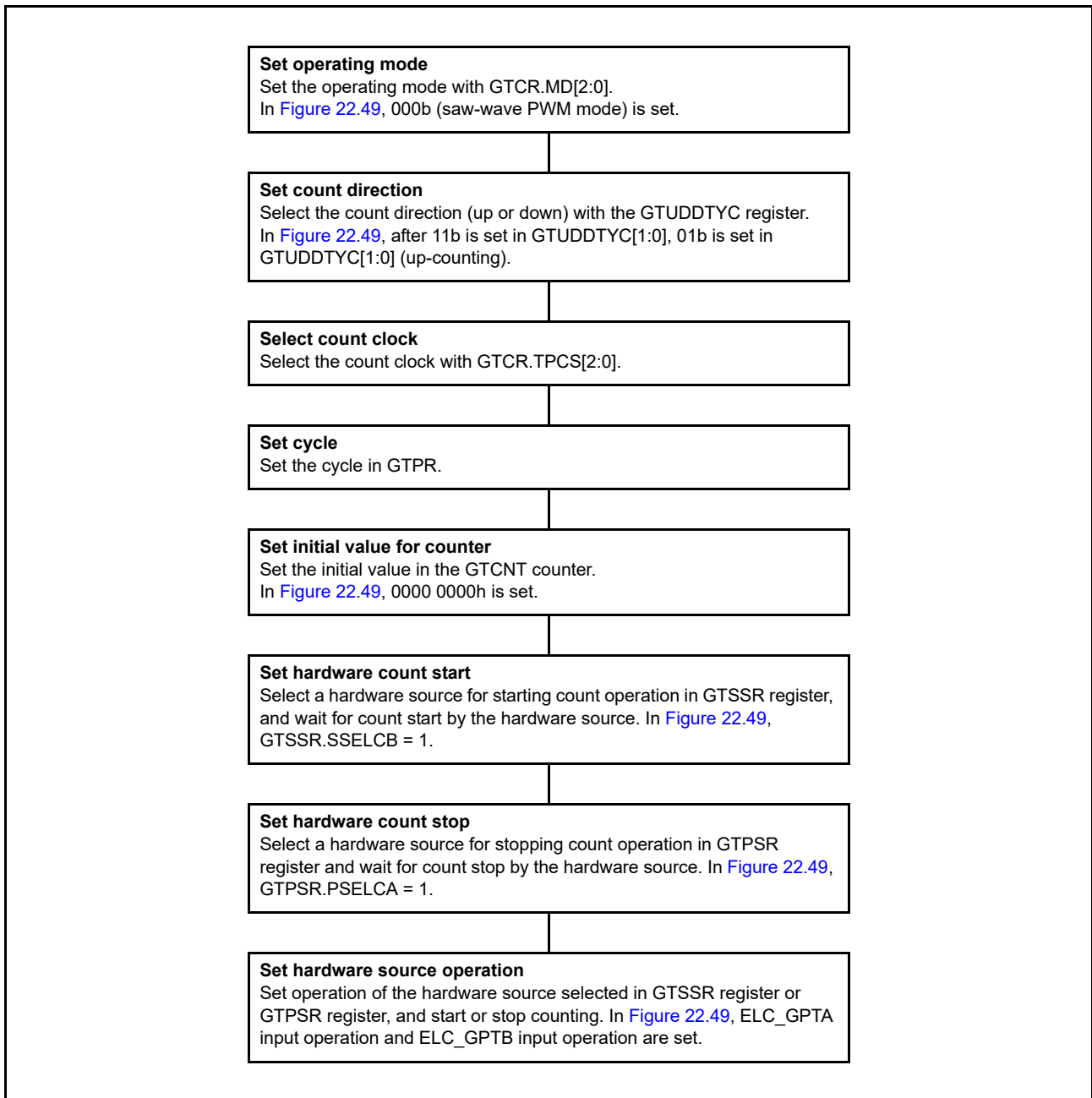


Figure 22.50 Example setting for count stop operation by a hardware source

Figure 22.51 shows an example of a count start/stop operation by a hardware source. Figure 22.52 shows the setting example. In this example, the counter operates during the high-level periods of the external trigger input GTETRGA.

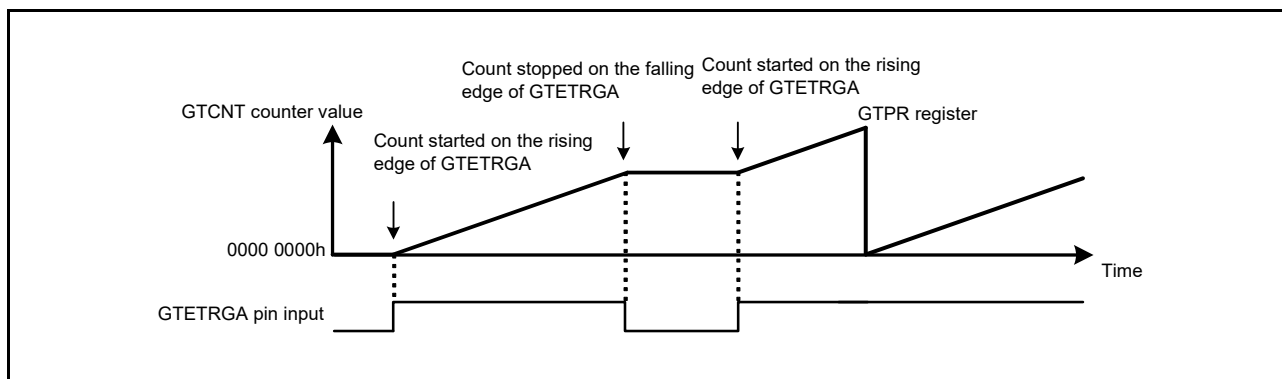


Figure 22.51 Example of count start/stop operation by hardware source started on the rising edge of GTETRGA pin input, and stopped on the falling edge of GTETRGA pin input

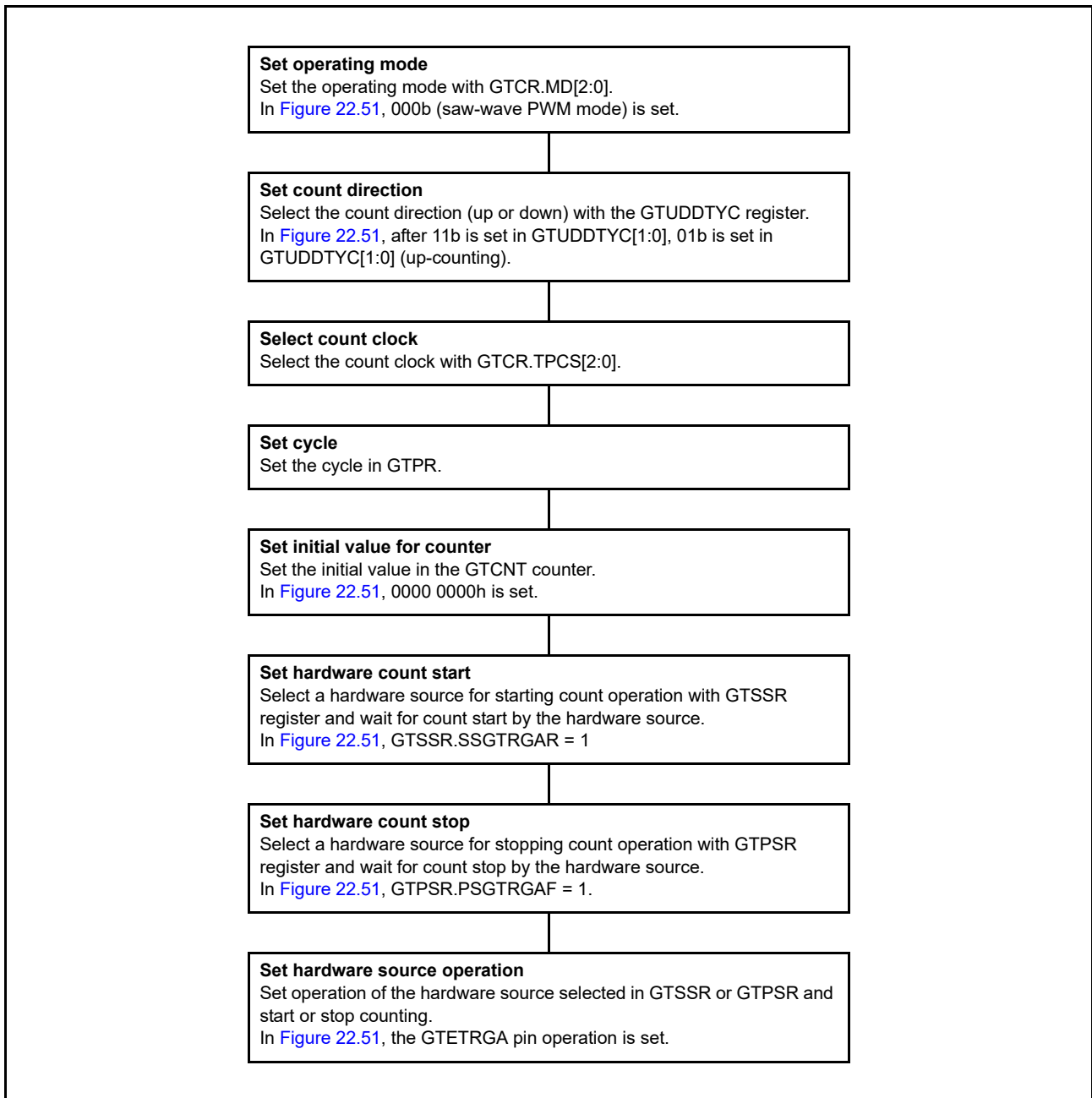


Figure 22.52 Example setting for count start/stop operation by a hardware source

22.3.7.3 Hardware clear operation

The GTCNT counter can be cleared by selecting a hardware source using GTCSR. The GPTn_OVF/GPTn_UDF (n = 0 to 7) interrupt (overflow/underflow interrupt) is not generated when the GTCNT counter is cleared by a hardware source or by software.

Figure 22.53 and Figure 22.54 show examples of the GTCNT counter clearing operation by a hardware source. Figure 22.55 shows the setting example. In this example, the GTCNT counter starts at the edge of the ELC_GPTA input, and the counter stops and clears at the edge of the ELC_GPTB input.

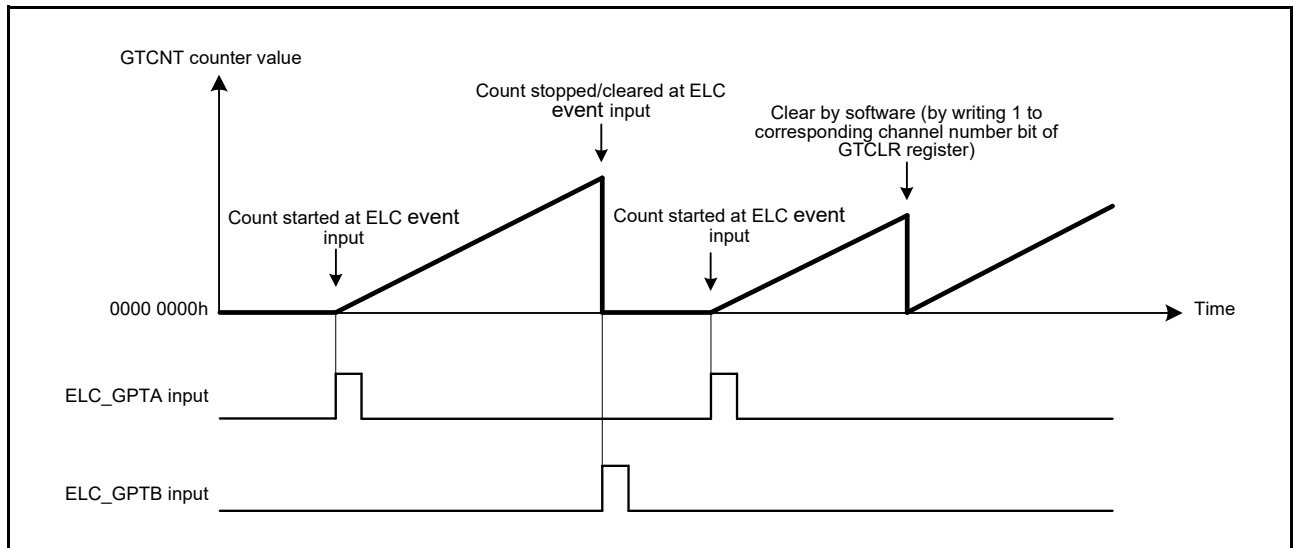


Figure 22.53 Examples of count clearing operation by hardware source with saw wave up-counting, started at ELC_GPTA input, and stopped/cleared at ELC_GPTB input

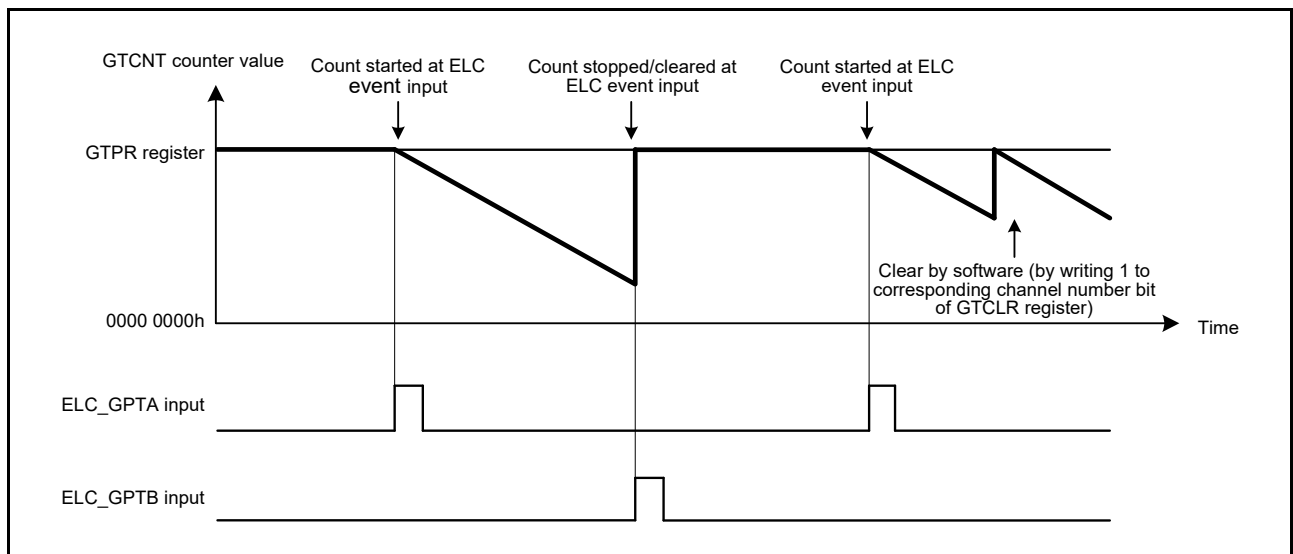


Figure 22.54 Examples of count clearing operation by hardware source with saw wave down-counting, started at ELC_GPTA input, and stopped/cleared at ELC_GPTB input

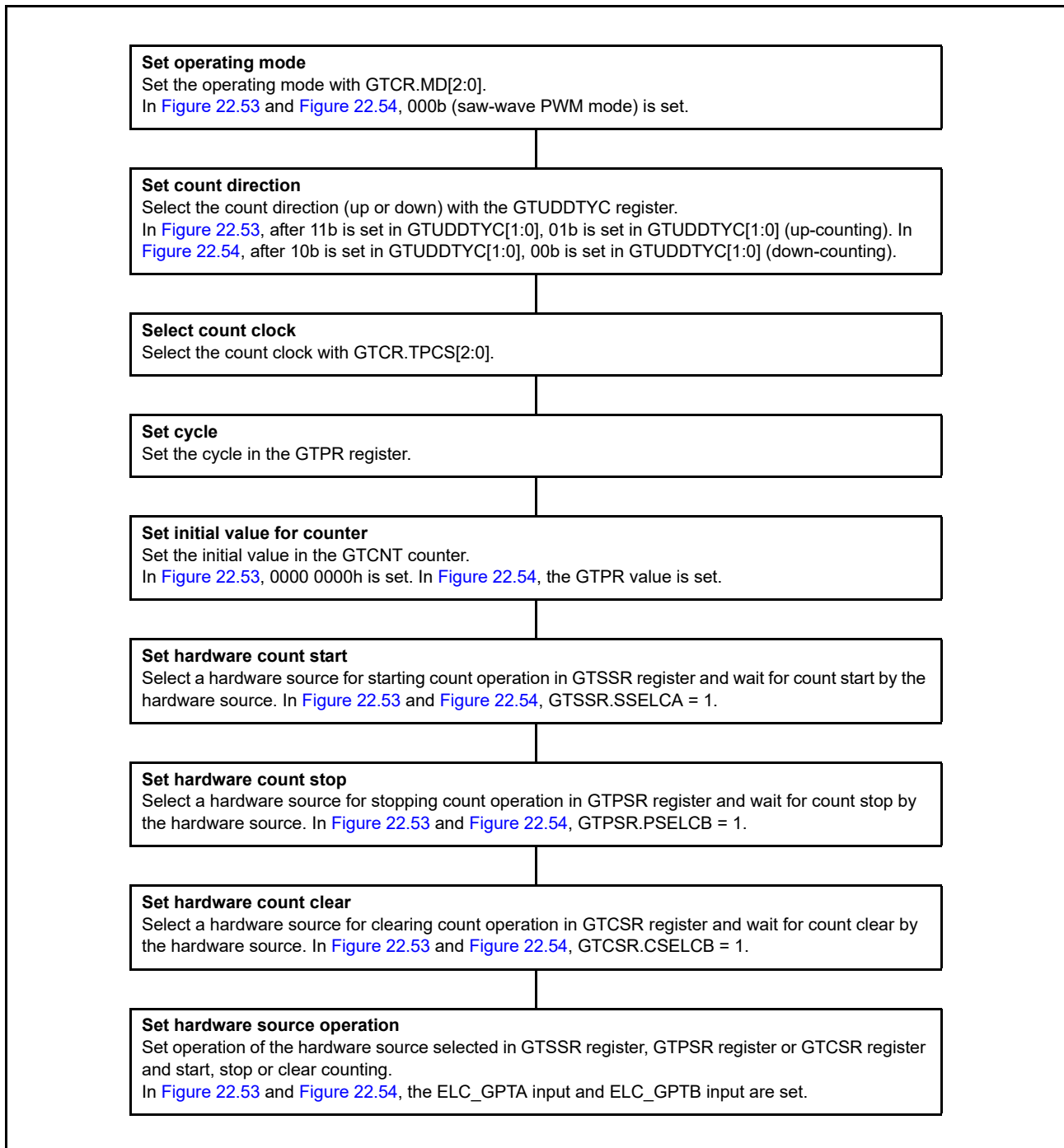


Figure 22.55 Example for setting count clearing operation by a hardware source

The GPT_n_OVF (n = 0 to 7) interrupt (overflow/underflow interrupt) is not generated when the counter is cleared by a hardware source or by software.

Figure 22.56 shows the relationship between the counter clearing by a hardware source and the GPTn_OVF (n = 0 to 7) interrupt.

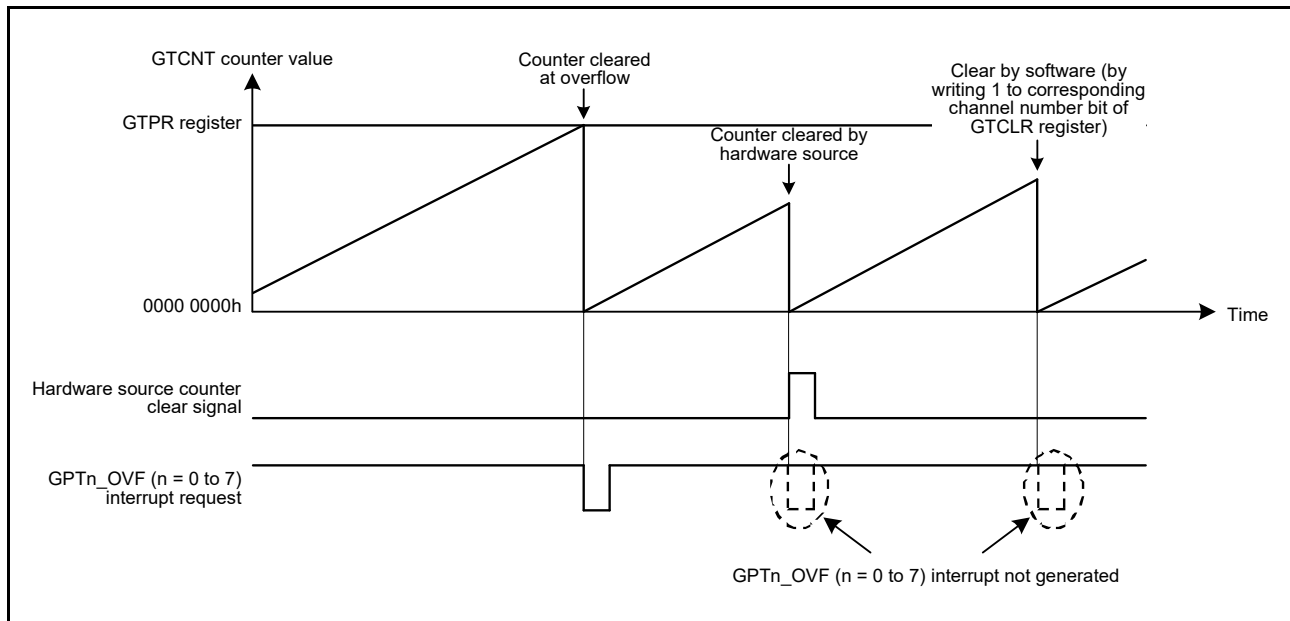


Figure 22.56 Relationship between counter clearing by hardware source and GPTn_OVF (n = 0 to 7) interrupt

22.3.8 Synchronized Operation

Synchronized operation on channels such as a synchronized start, stop and clear operation can be performed.

22.3.8.1 Synchronized operation by software

The GTCNT counters can be started, stopped and cleared on multiple channels by setting the associated GTSTR, GTSTP or GTCLR bits simultaneously to 1.

Count start with a phase difference is possible by setting the initial value in the GTCNT counter and setting the associated GTSTR bits simultaneously to 1.

Figure 22.57 shows an example of a simultaneous start, stop and clear by software. Figure 22.58 shows an example of phase start operation by software.

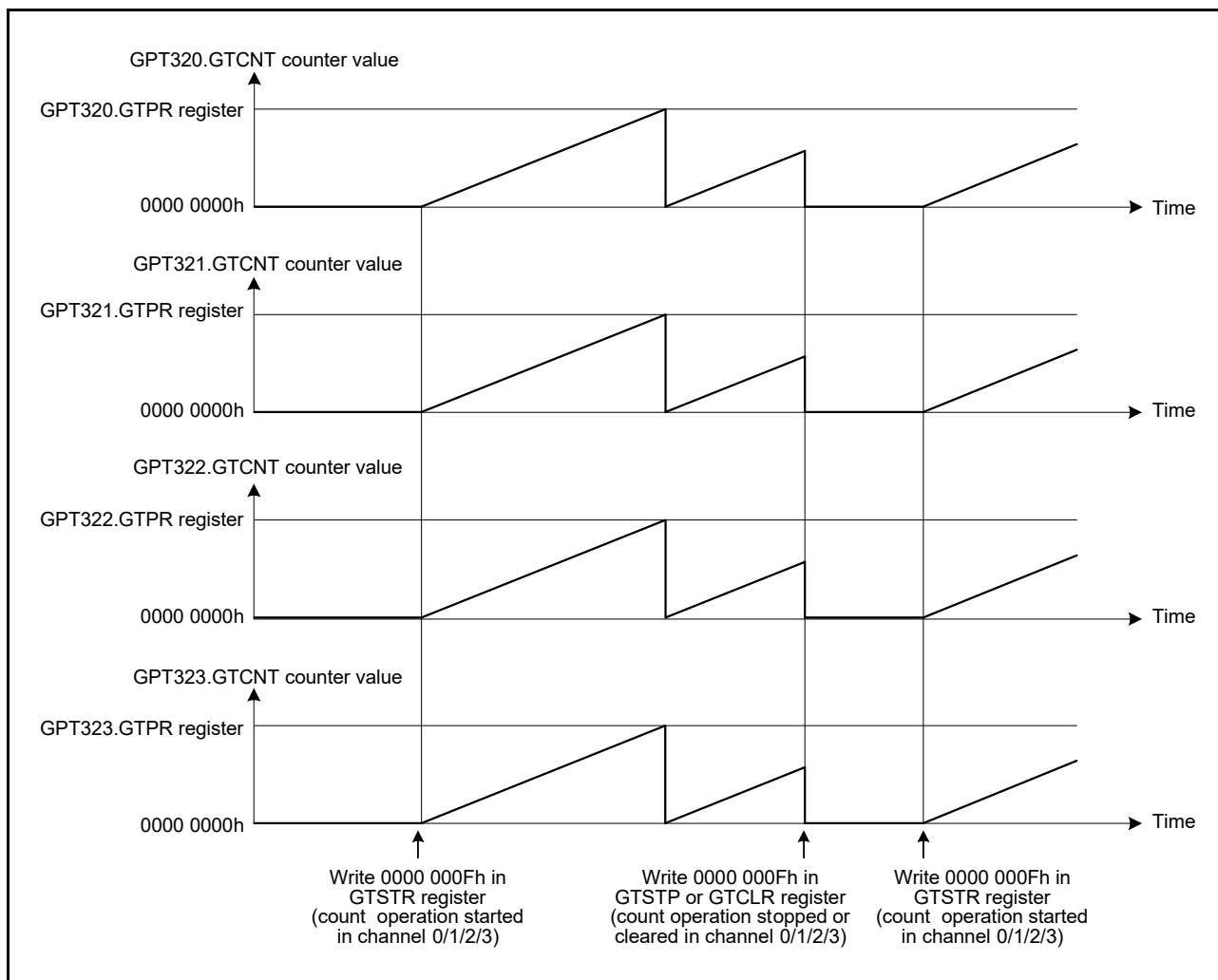


Figure 22.57 Example of a simultaneous start, stop and clear by software with the same count cycle (GTPR register value)

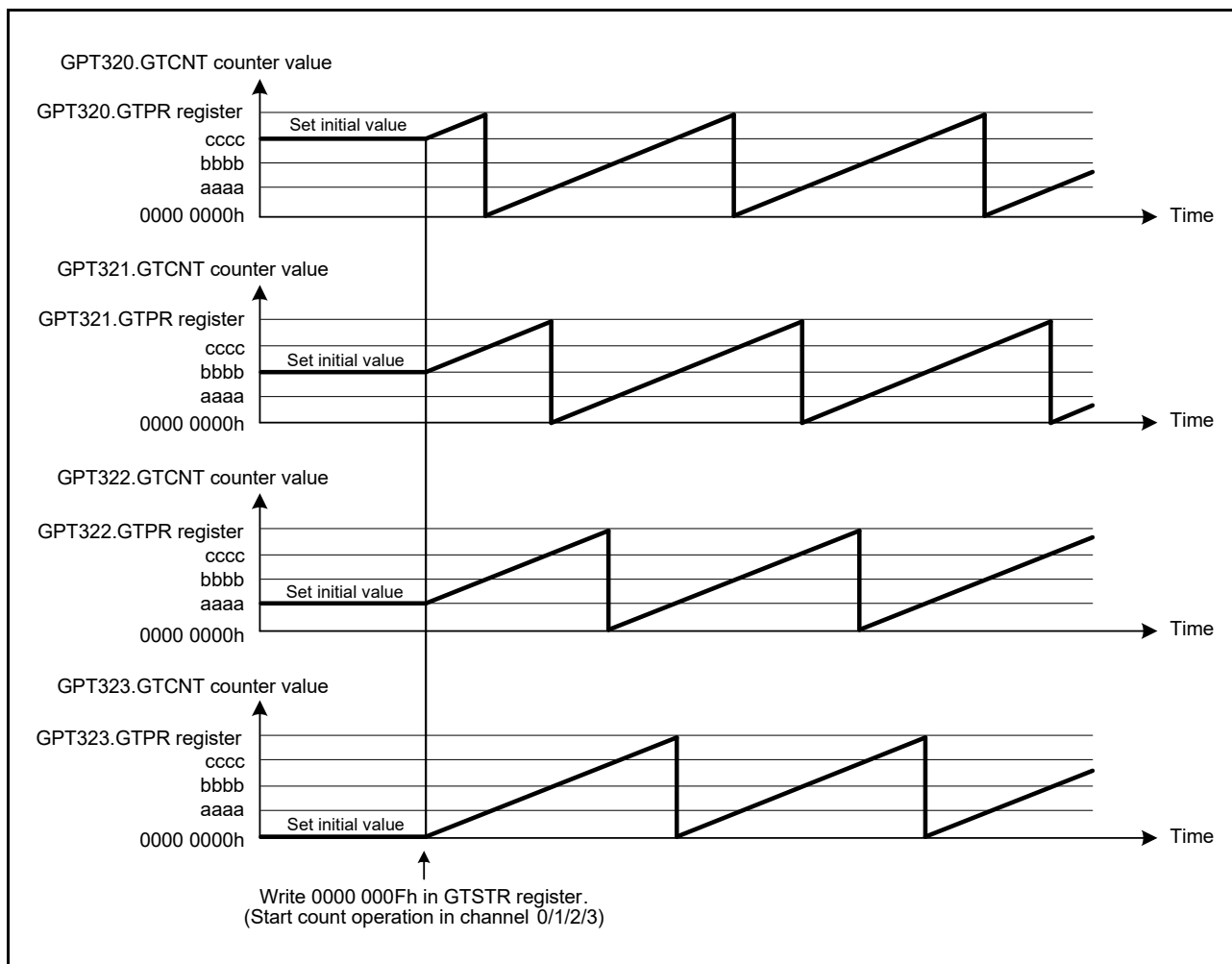


Figure 22.58 Example of software phase start with the same count cycle (GTPR register value)

22.3.8.2 Synchronized operation by hardware

The GTCNT counters can be started simultaneously by the following hardware sources:

- External trigger input
- ELC event input.

Figure 22.59 shows an example of a simultaneous start, stop and clear operation by a hardware source. Figure 22.60 shows the setting example.

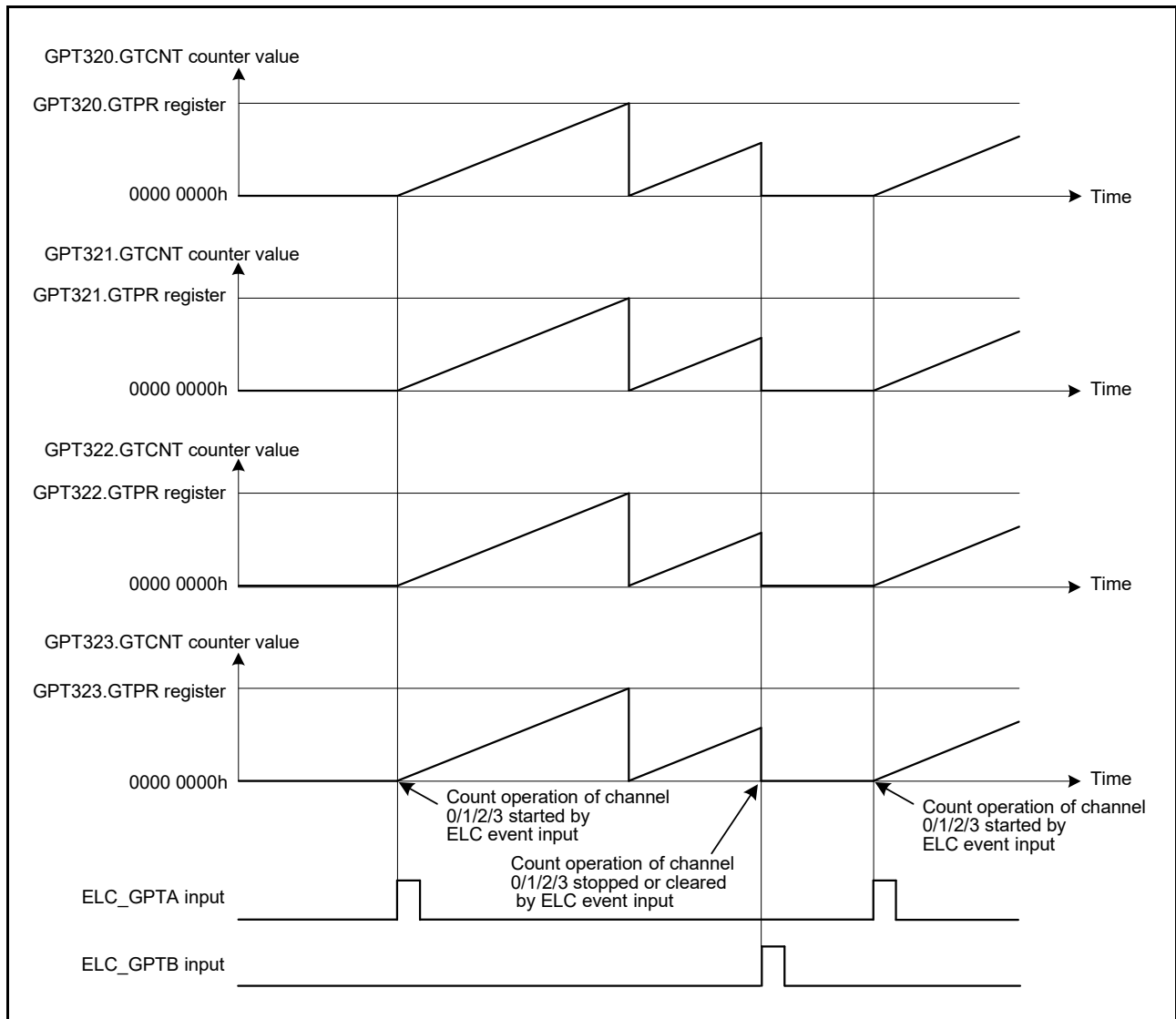


Figure 22.59 Example of a simultaneous start, stop and clear by hardware source with the same count cycle (GTPR register value)

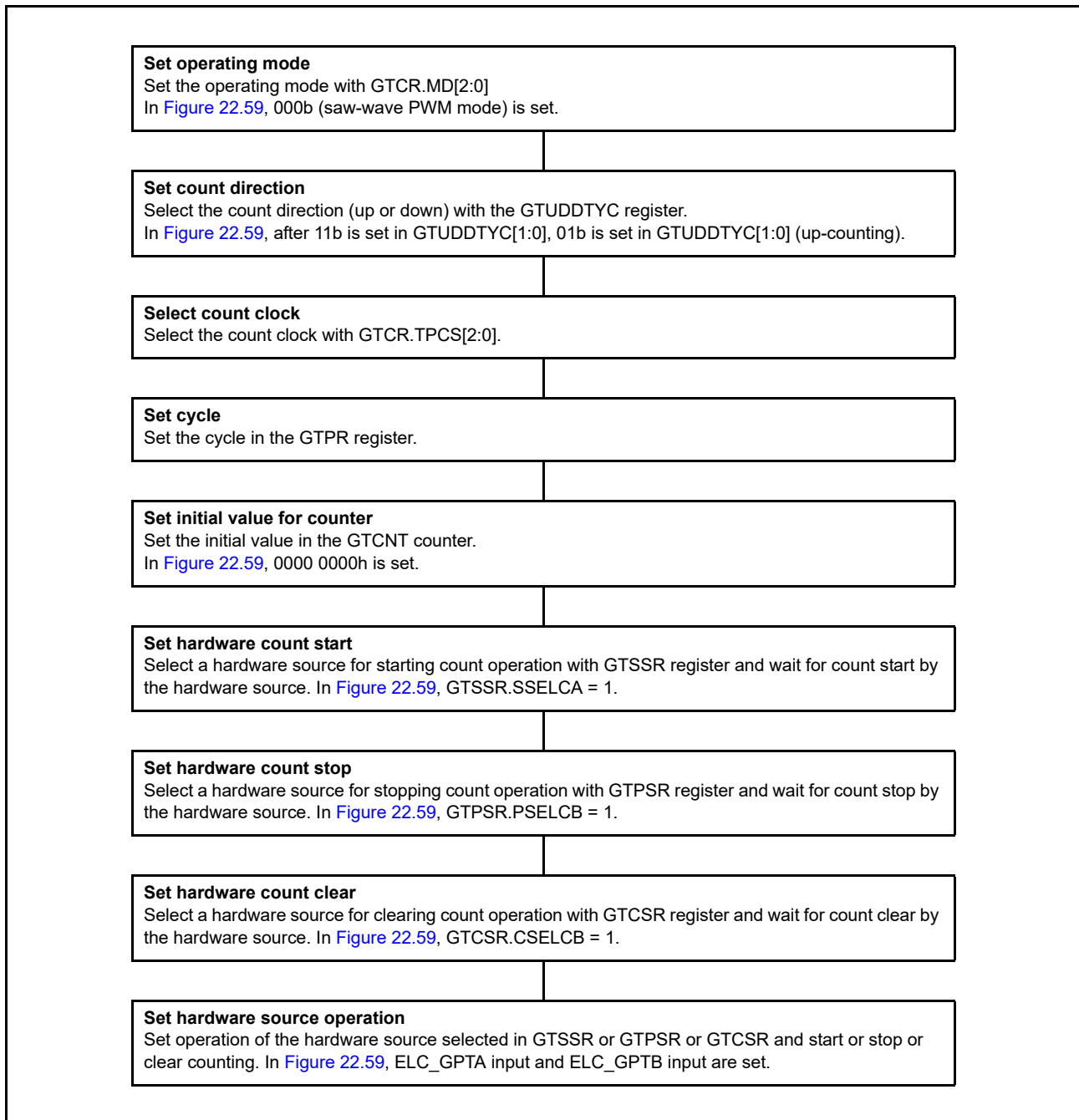


Figure 22.60 Example setting for simultaneous start by a hardware source

22.3.9 PWM Output Operation Examples

(1) Synchronized PWM output

The GPT outputs 20 phases of linked PWM waveforms for a maximum of 10 channels by multiple GPTs.

Figure 22.61 shows an example in which four channels perform synchronized operation in saw-wave PWM mode and eight phases of PWM waveforms are output. The GTIOCA is set so that it outputs low as the initial value, high at a GTCCRA compare match, and low at the cycle end. The GTIOCB is set so that it outputs low as the initial value, high at a GTCCRB compare match, and low at the cycle end.

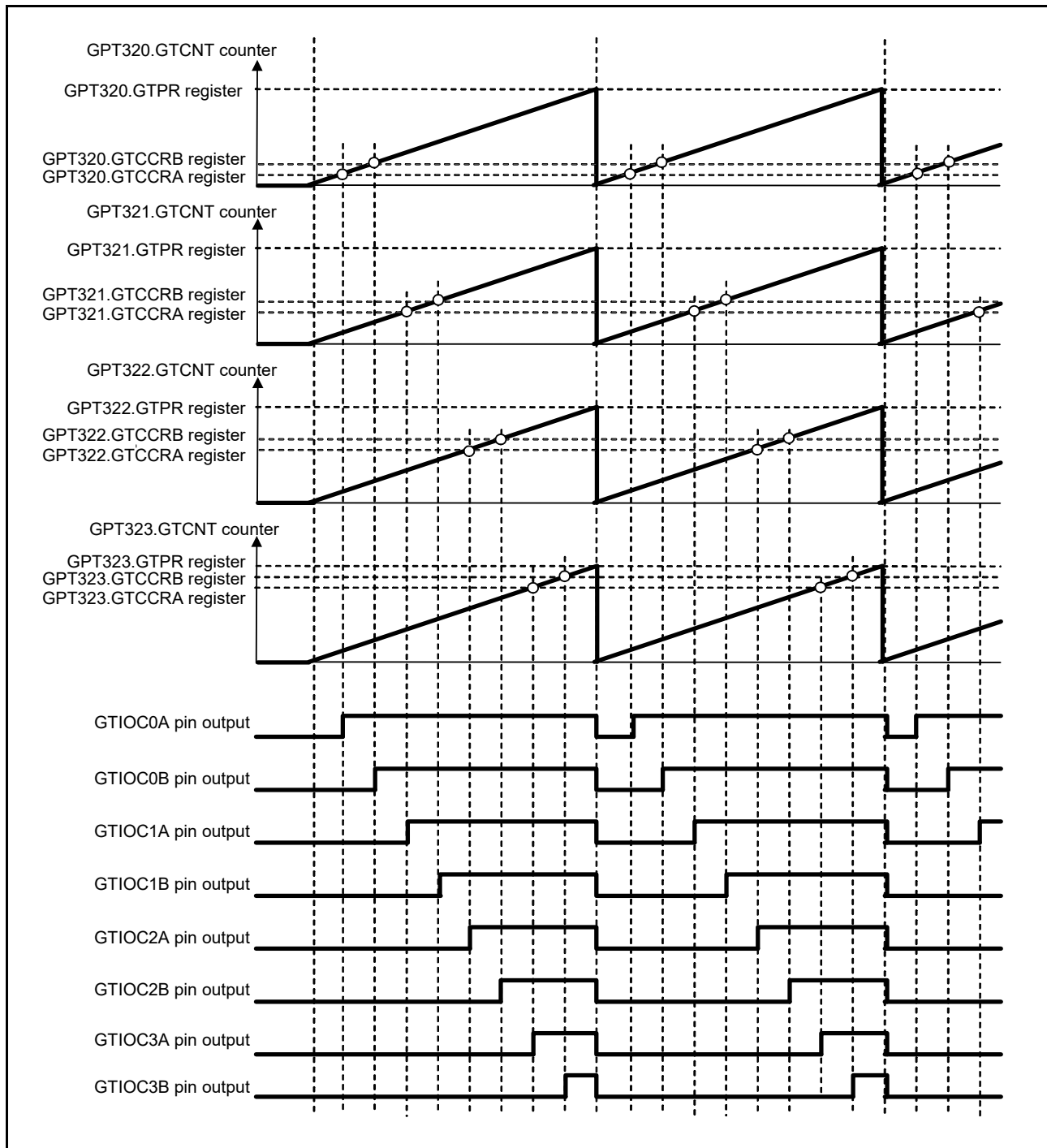


Figure 22.61 Example of synchronized PWM output

(2) 3-phase saw-wave complementary PWM output

Figure 22.62 shows an example in which three channels perform synchronized operation in saw-wave PWM mode and 3-phase complementary PWM waveforms are output. The GTIOCA pin is set so that it outputs low as the initial value, high at a GTCCRA compare match, and low at the cycle end. The GTIOCB pin is set so that it outputs high as the initial value, low at a GTCCRB compare match, and high at the cycle end.

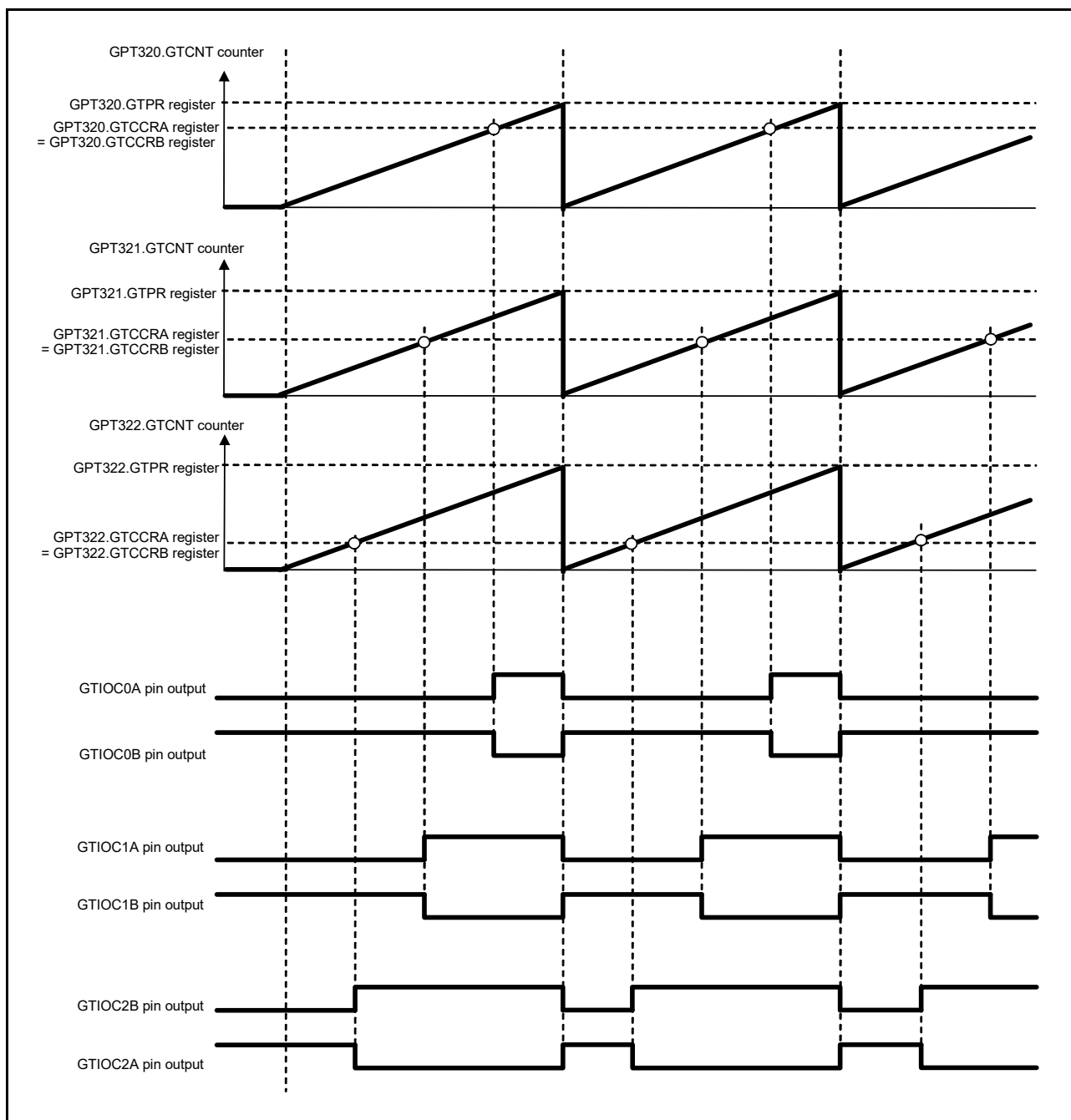


Figure 22.62 Example of 3-phase saw-wave complementary PWM output

(3) 3-phase saw-wave complementary PWM output with automatic dead time setting

Figure 22.63 shows an example in which three channels perform synchronized operation in saw-wave one-shot pulse mode with automatic dead time setting and 3-phase complementary PWM waveforms are output. The GTIOCA pin is set so that it outputs low as the initial value, toggles the output at a GTCCRA compare match, and retains the output at the cycle end. The GTIOCB pin is set so that it outputs high as the initial value, toggles the output at a GTCCRB compare match, and retains the output at the cycle end.

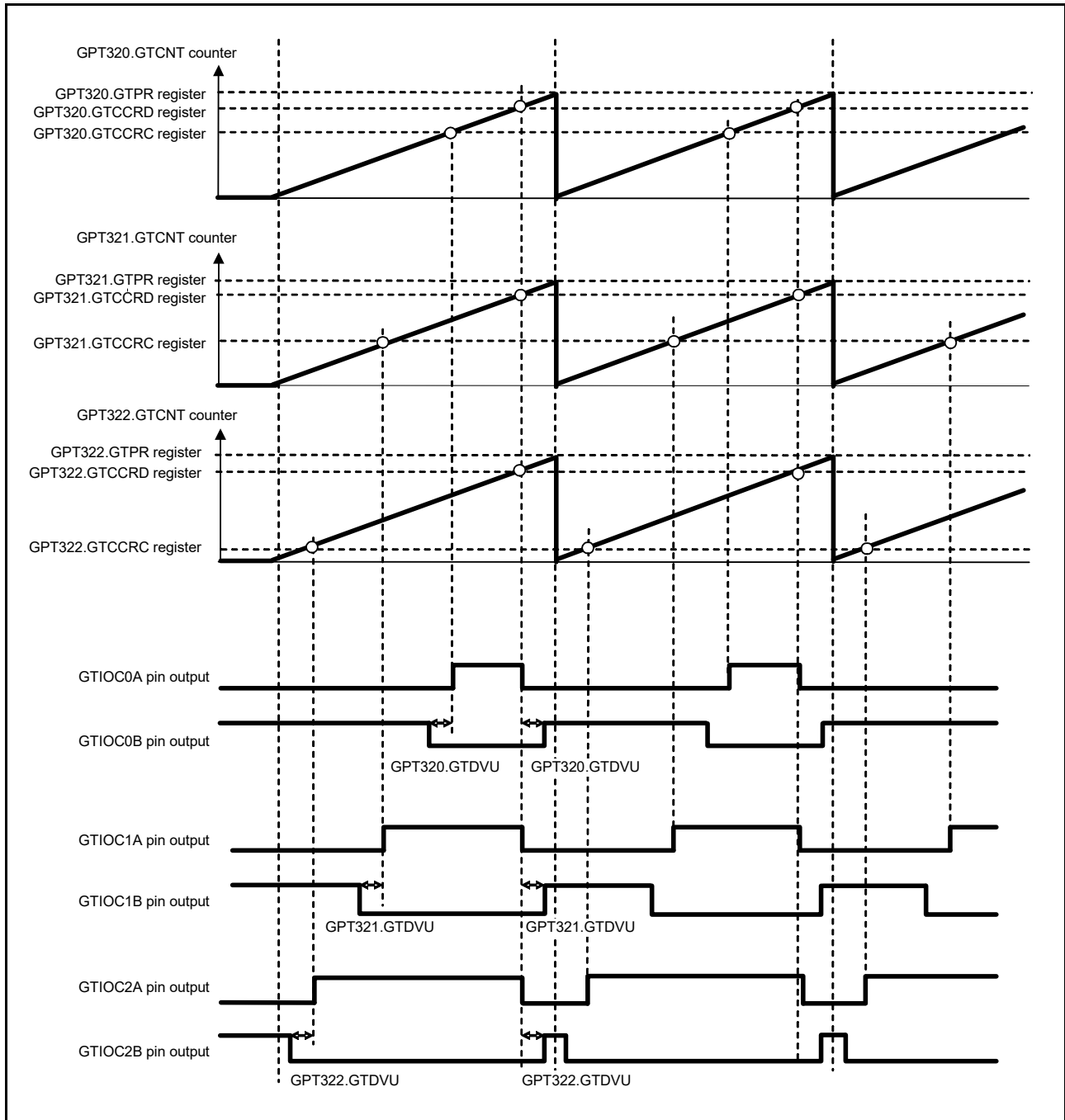


Figure 22.63 Example of 3-phase saw-wave complementary PWM output with automatic dead time setting

(4) 3-phase triangle-wave complementary PWM output

Figure 22.64 shows an example in which three channels perform synchronized operation in triangle-wave PWM mode 1 and 3-phase complementary PWM waveforms are output. The GTIOC0A pin is set so that it outputs low as the initial value, toggles the output at a GTCCRA compare match, and retains the output at the cycle end. The GTIOC0B pin is set so that it outputs high as the initial value, toggles the output at a GTCCRB compare match, and retains the output at the cycle end.

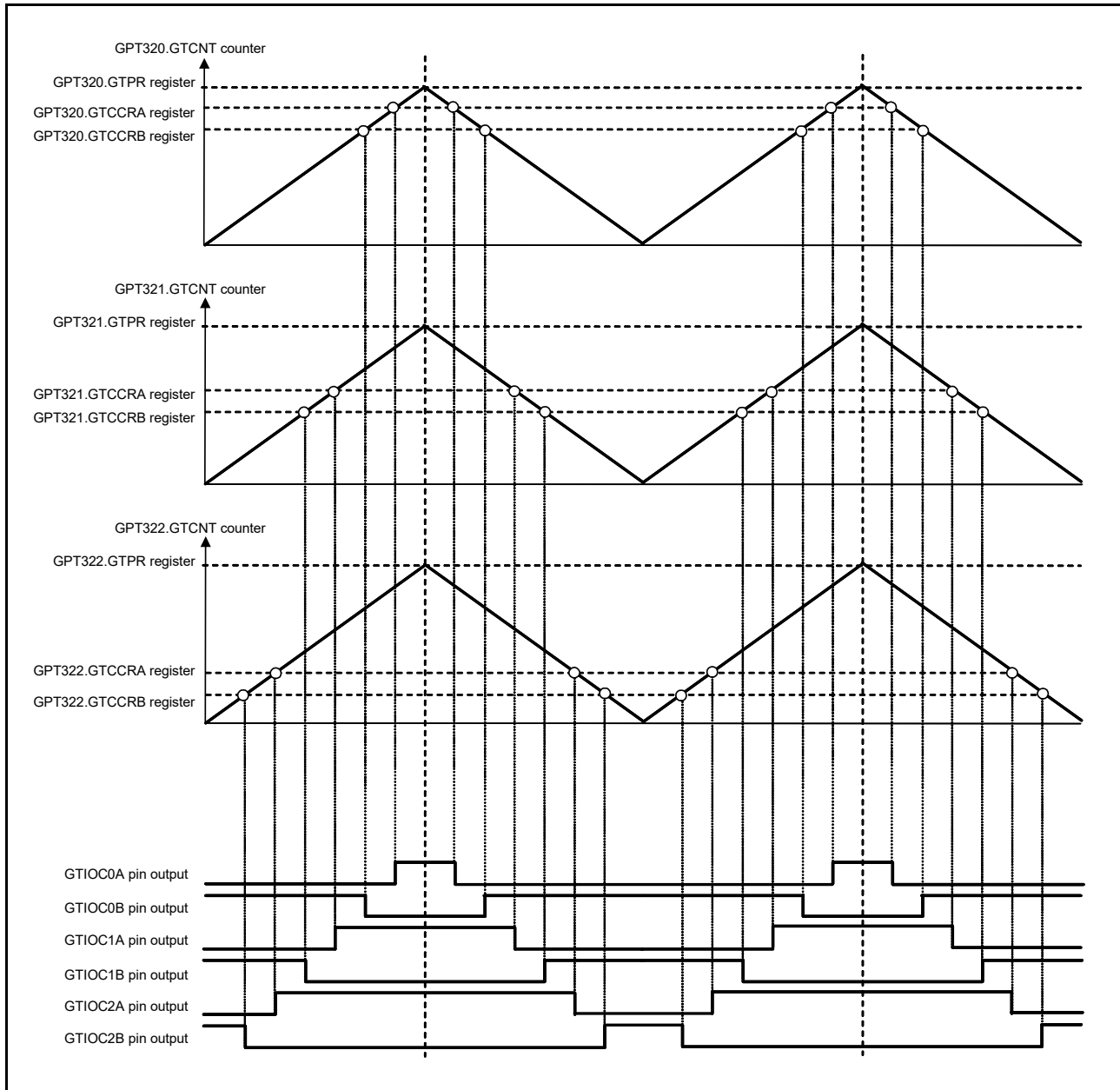


Figure 22.64 Example of 3-phase triangle-wave complementary PWM output

(5) 3-phase triangle-wave complementary PWM output with automatic dead time setting

Figure 22.65 shows an example in which three channels perform synchronized operation in triangle-wave PWM mode 1 with automatic dead time setting and 3-phase complementary PWM waveforms are output. The GTIOCA pin is set so that it outputs low as the initial value, toggles the output at a GTCCRA compare match, and retains the output at the cycle end. The GTIOCB pin is set so that it outputs high as the initial value, toggles the output at a GTCCRB compare match, and retains the output at the cycle end.

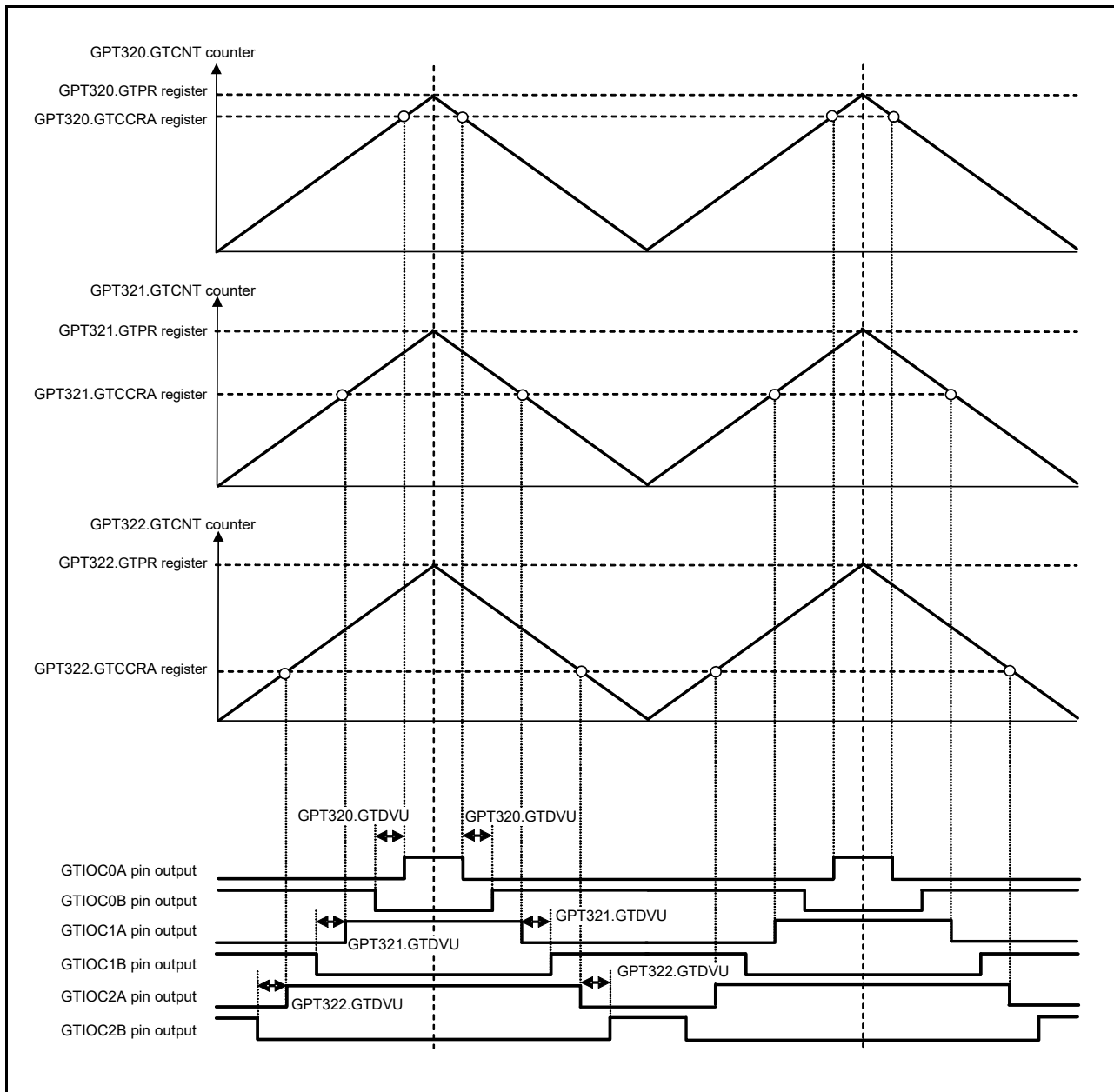


Figure 22.65 Example of 3-phase triangle-wave complementary PWM output with automatic dead time setting

(6) 3-phase asymmetric triangle-wave complementary PWM output with automatic dead time setting

Figure 22.66 shows an example in which three channels perform synchronized operation in triangle-wave PWM mode 3 with automatic dead time setting and 3-phase complementary PWM waveforms are output. The GTIOCA is set so that it outputs low as the initial value, toggles the output at a GTCCRA compare match, and retains the output at the cycle end. The GTIOCB is set so that it outputs high as the initial value, toggles the output at a GTCCRB compare match, and retains the output at the cycle end.

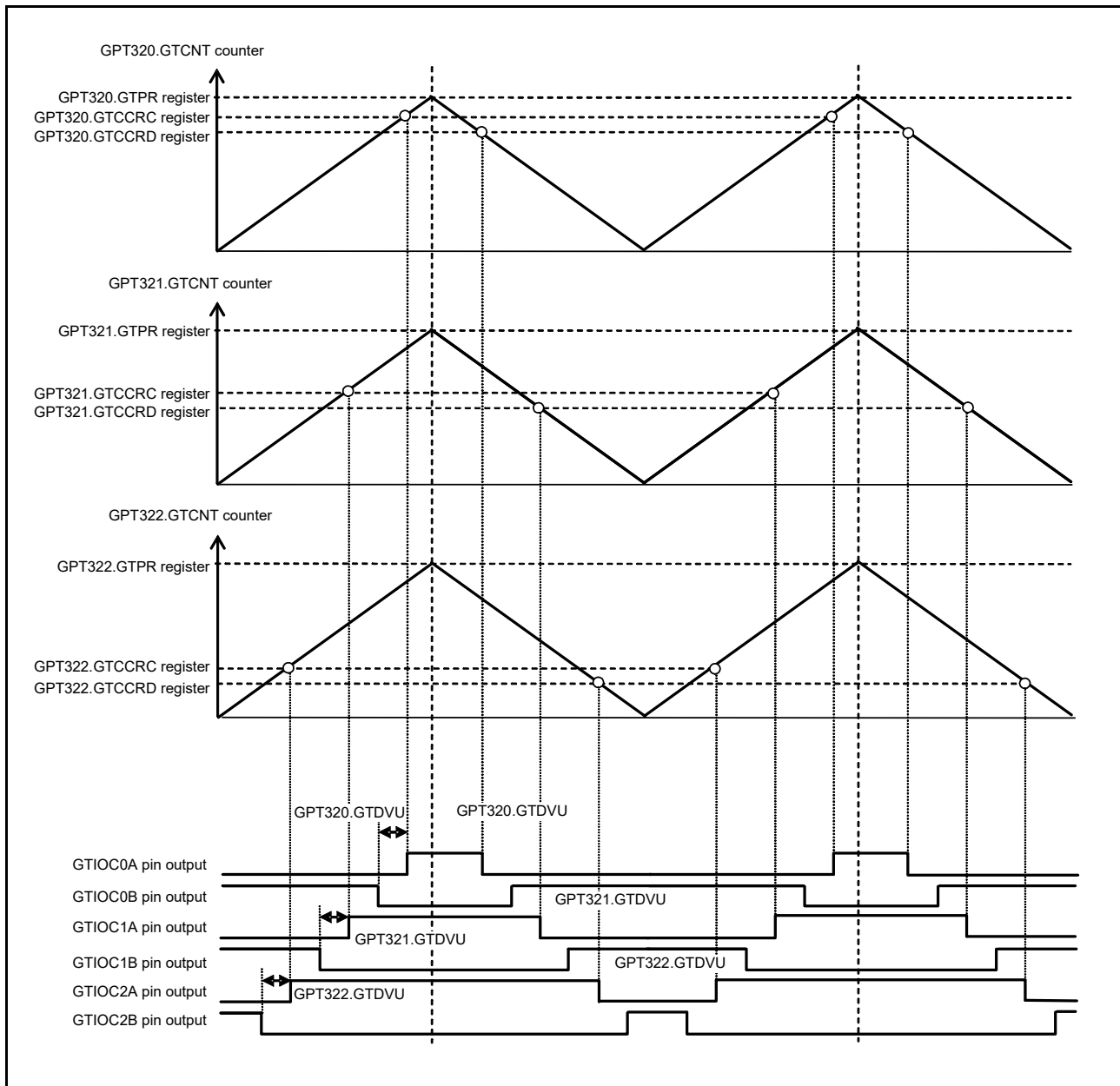


Figure 22.66 Example of 3-phase asymmetric triangle-wave complementary PWM output with automatic dead time setting

22.3.10 Phase Counting Function

The phase difference between the GTIOCA and GTIOCB pin inputs is detected and the associated GTCNT counts up or counts down. The detectable phase difference is available in any combination with the relationship between the edge and the level of GTIOCA and GTIOCB pin inputs being set in the GTUPSR and GTDNSR registers. For details on count operation, see [section 22.3.1.1, Counter operation](#).

[Figure 22.67](#) to [Figure 22.76](#) show phase counting modes 1 to 5. [Table 22.7](#) to [Table 22.16](#) show conditions of up-counting or down-counting and lists settings for the GTUPSR and GTDNSR registers.

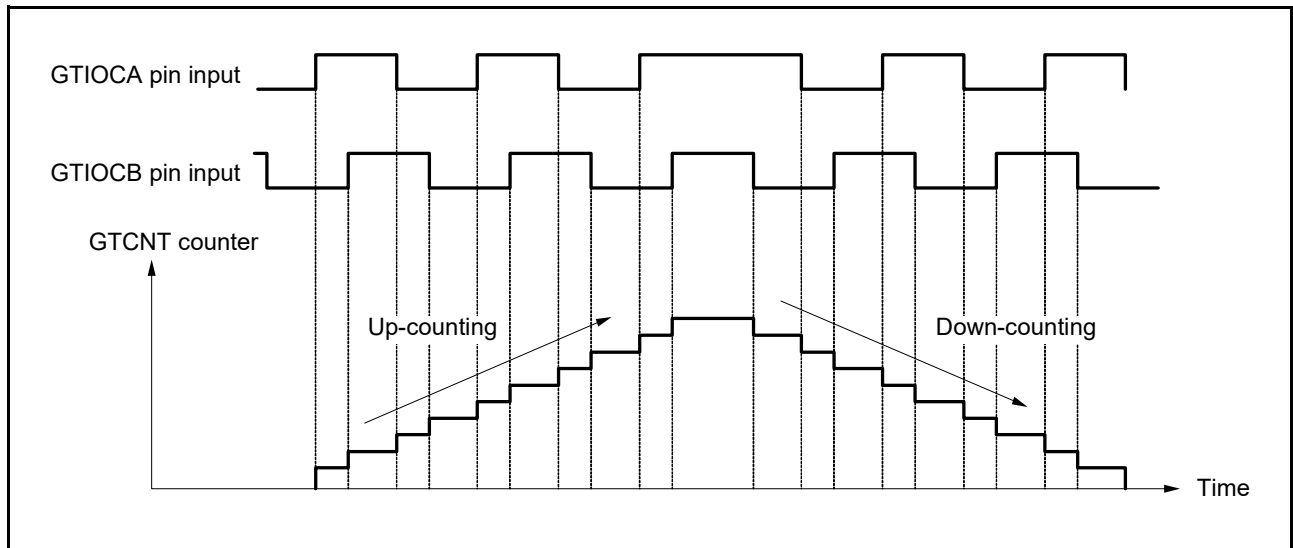


Figure 22.67 Example of phase counting mode 1

Table 22.7 Conditions of up-counting/down-counting in phase counting mode 1

| GTIOCA pin input | GTIOCB pin input | Operation | Register setting |
|------------------|------------------|---------------|--------------------------------------------|
| High | | Up-counting | GTUPSR = 0000 6900h GTDNSR = 0000 9600h |
| Low | | | |
| | Low | | |
| | High | | |
| High | | Down-counting | |
| Low | | | |
| | High | | |
| | Low | | |

: Rising edge
 : Falling edge

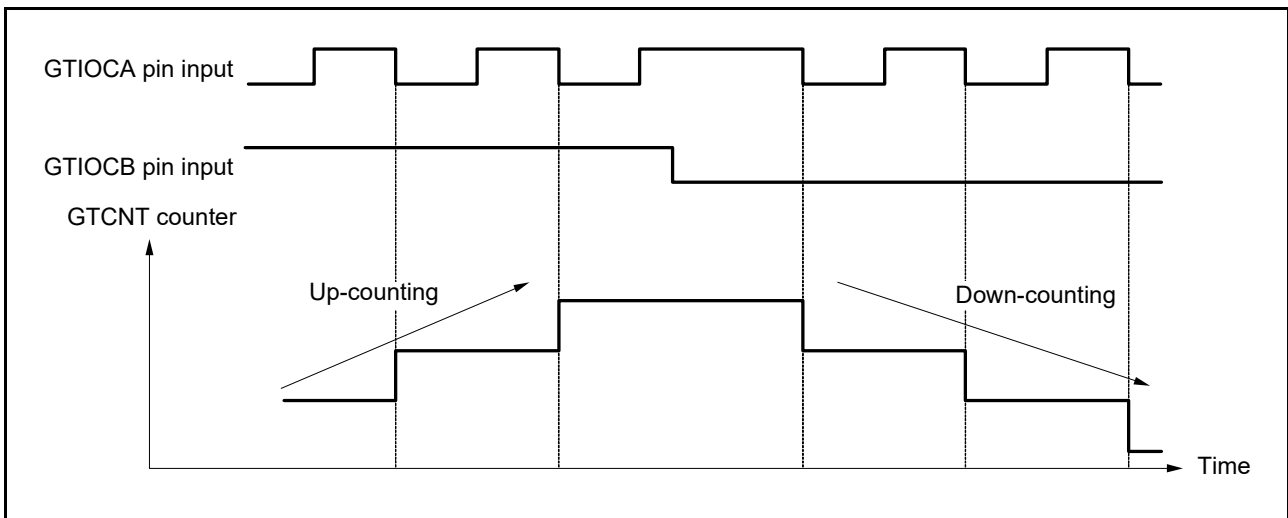


Figure 22.68 Example of phase counting mode 2 (A)

Table 22.8 Conditions of up-counting/down-counting in phase counting mode 2 (A)

| GTIOCA pin input | GTIOCB pin input | Operation | Register setting |
|------------------|------------------|---------------|--------------------------------------------|
| High | | Don't care | GTUPSR = 0000 0800h GTDNSR = 0000 0400h |
| Low | | Don't care | |
| | Low | Up-counting | |
| | High | | |
| High | | Don't care | |
| Low | | Don't care | |
| | High | Down-counting | |
| | Low | | |
| | Low | Don't care | |

: Rising edge
 : Falling edge

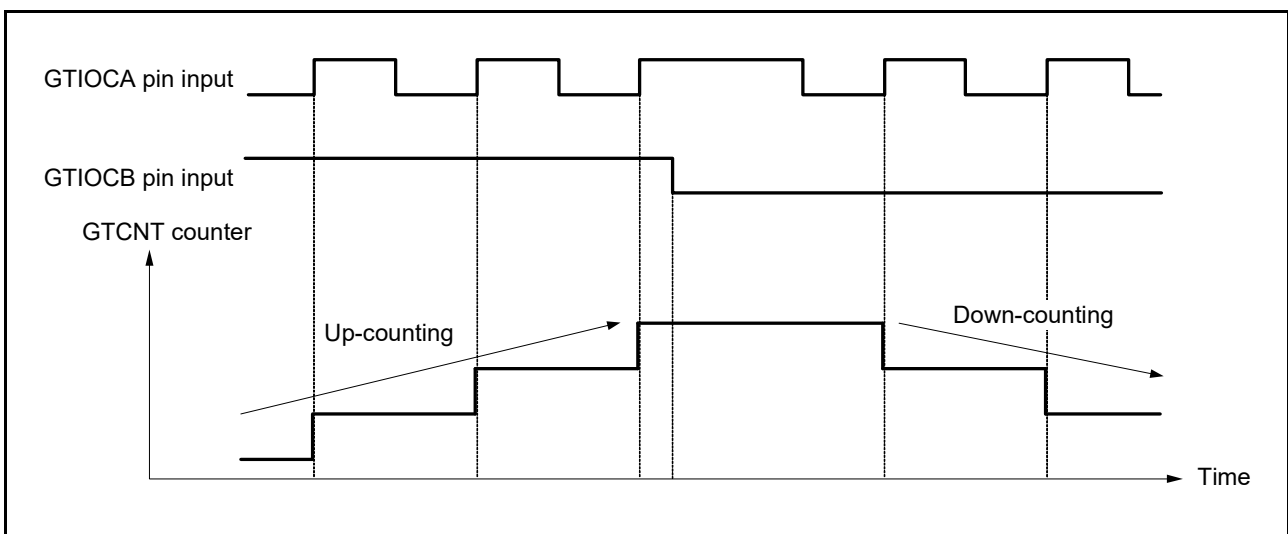


Figure 22.69 Example of phase counting mode 2 (B)

Table 22.9 Conditions of up-counting/down-counting in phase counting mode 2 (B)

| GTIOCA pin input | GTIOCB pin input | Operation | Register setting |
|------------------|------------------|---------------|--------------------------------------------|
| High | | Don't care | GTUPSR = 0000 0200h GTDNSR = 0000 0100h |
| Low | | Don't care | |
| | Low | Down-counting | |
| | High | Don't care | |
| High | | Don't care | |
| Low | | Don't care | |
| | High | Up-counting | |
| | Low | Down-counting | |

: Rising edge
 : Falling edge

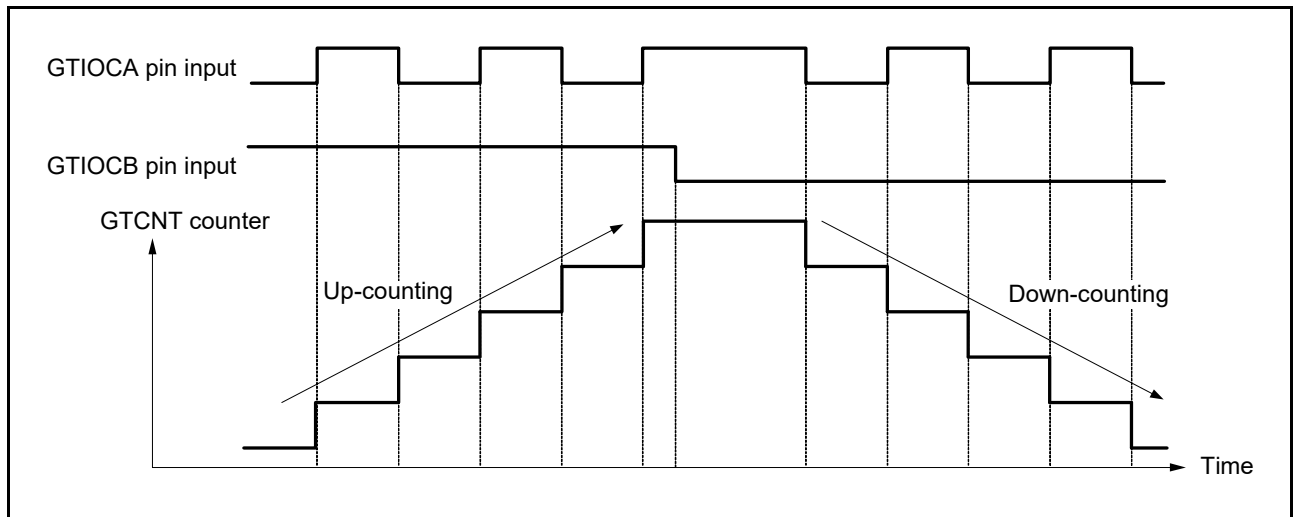


Figure 22.70 Example of phase counting mode 2 (C)

Table 22.10 Conditions of up-counting/down-counting in phase counting mode 2 (C)

| GTIOCA pin input | GTIOCB pin input | Operation | Register setting |
|------------------|------------------|---------------|--------------------------------------------|
| High | | Don't care | GTUPSR = 0000 0A00h GTDNSR = 0000 0500h |
| Low | | Don't care | |
| | Low | Down-counting | |
| | High | Up-counting | |
| High | | Don't care | |
| Low | | Don't care | |
| | High | Up-counting | |
| | Low | Down-counting | |

: Rising edge
 : Falling edge

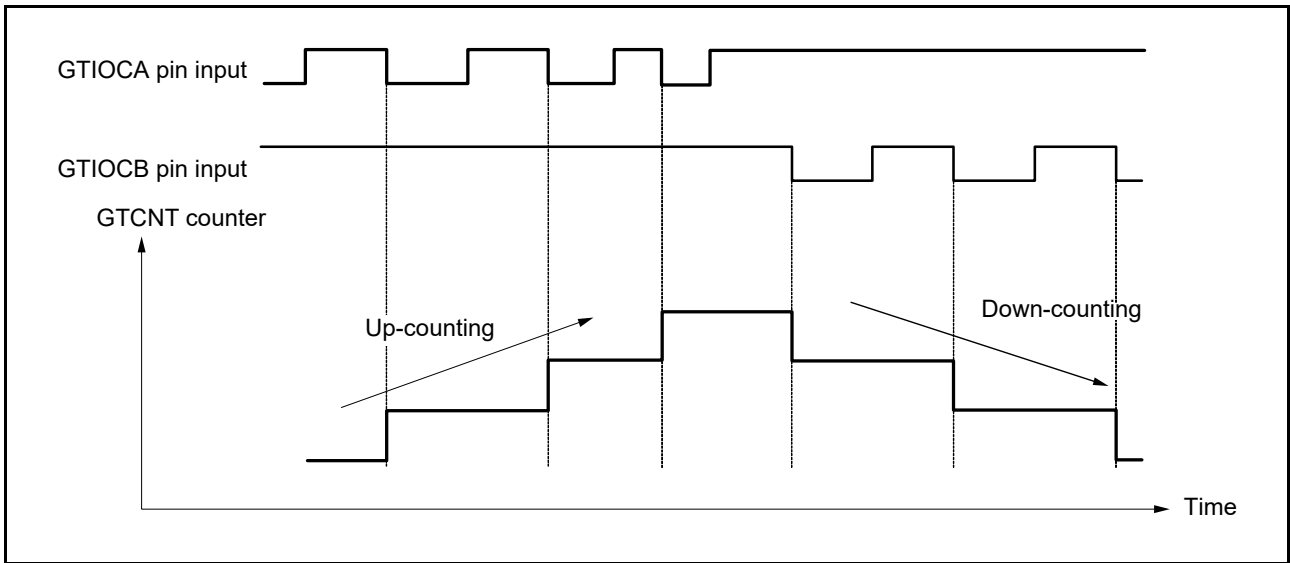


Figure 22.71 Example of phase counting mode 3 (A)

Table 22.11 Conditions of up-counting/down-counting in phase counting mode 3 (A)

| GTIOCA pin input | GTIOCB pin input | Operation | Register setting |
|------------------|------------------|---------------|--------------------------------------------|
| High | | Don't care | GTUPSR = 0000 0800h GTDNSR = 0000 8000h |
| Low | | Don't care | |
| | Low | Up-counting | |
| | High | Up-counting | |
| High | | Down-counting | |
| Low | | Down-counting | |
| | High | Don't care | |
| | Low | Don't care | |

: Rising edge
 : Falling edge

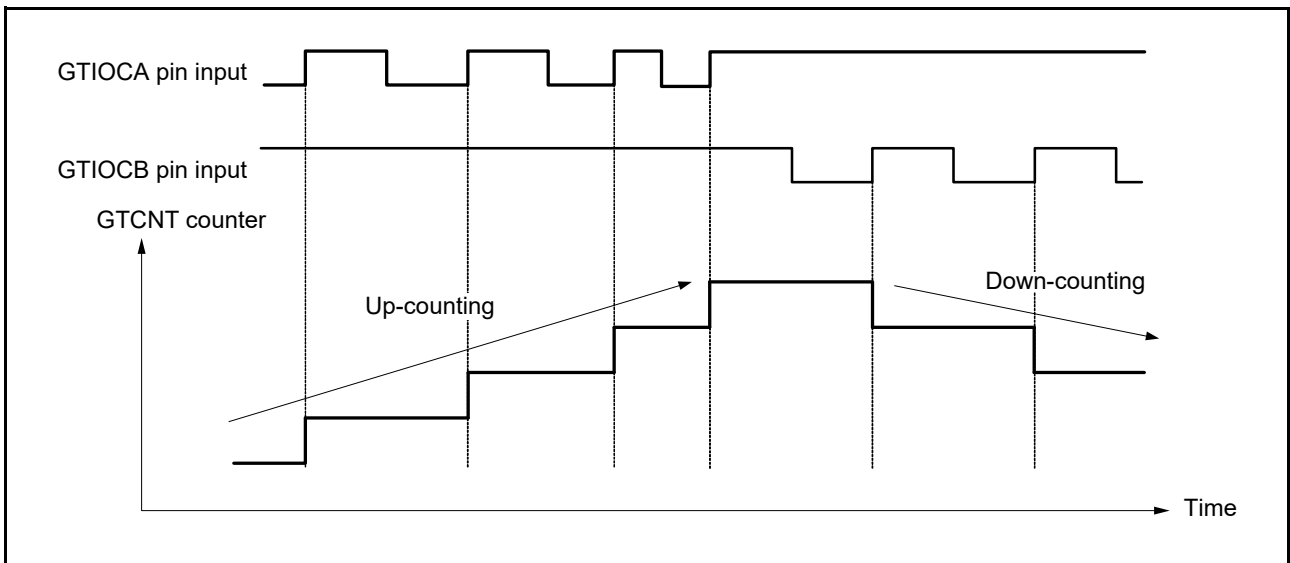


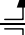
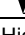

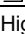






Figure 22.72 Example of phase counting mode 3 (B)

Table 22.12 Conditions of up-counting/down-counting in phase counting mode 3 (B)

| GTIOCA pin input | GTIOCB pin input | Operation | Register setting |
|-----------------------------------------------------------------------------------|-----------------------------------------------------------------------------------|---------------|--------------------------------------------|
| High |  | Down-counting | GTUPSR = 0000 0200h GTDNSR = 0000 2000h |
| Low |  | Don't care | |
|  | Low | | |
|  | High | | |
| High |  | | |
| Low |  | | |
|  | High | Up-counting | |
|  | Low | Don't care | |

 : Rising edge
 : Falling edge

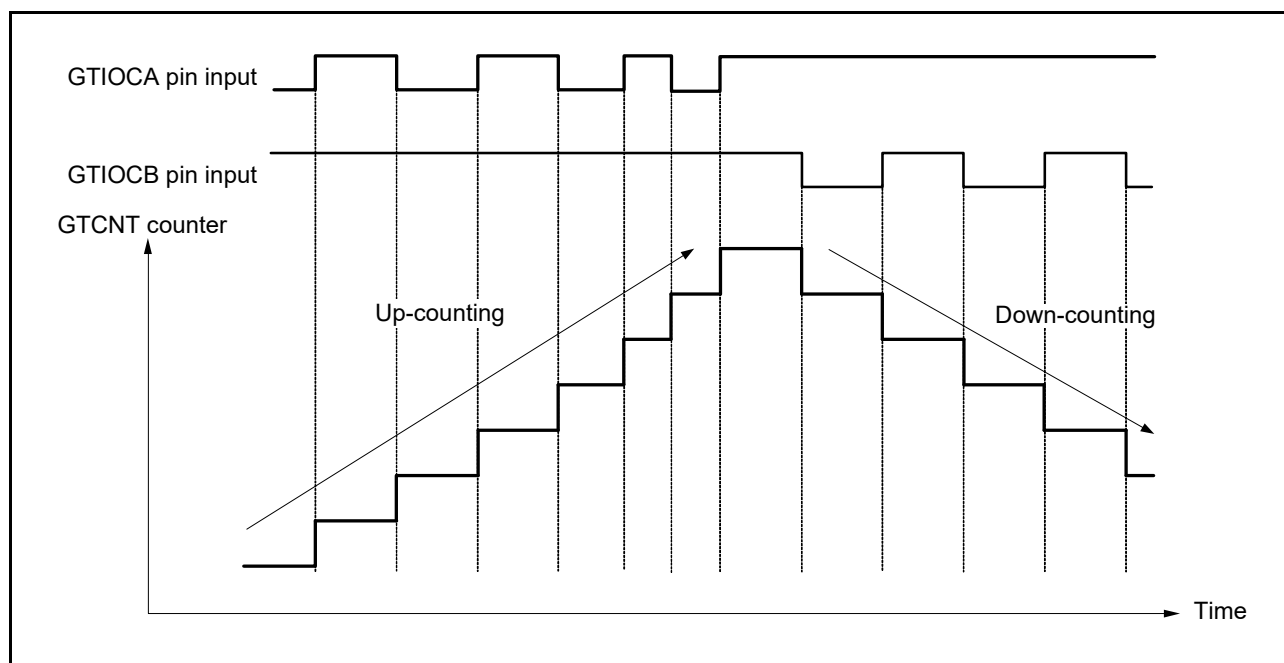


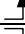


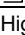






Figure 22.73 Example of phase counting mode 3 (C)

Table 22.13 Conditions of up-counting/down-counting in phase counting mode 3 (C)

| GTIOCA pin input | GTIOCB pin input | Operation | Register setting |
|-------------------------------------------------------------------------------------|-------------------------------------------------------------------------------------|---------------|--------------------------------------------|
| High |  | Down-counting | GTUPSR = 0000 0A00h GTDNSR = 0000 A000h |
| Low |  | Don't care | |
|  | Low | | |
|  | High | Up-counting | |
| High |  | Down-counting | |
| Low |  | Don't care | |
|  | High | Up-counting | |
|  | Low | Don't care | |

 : Rising edge
 : Falling edge

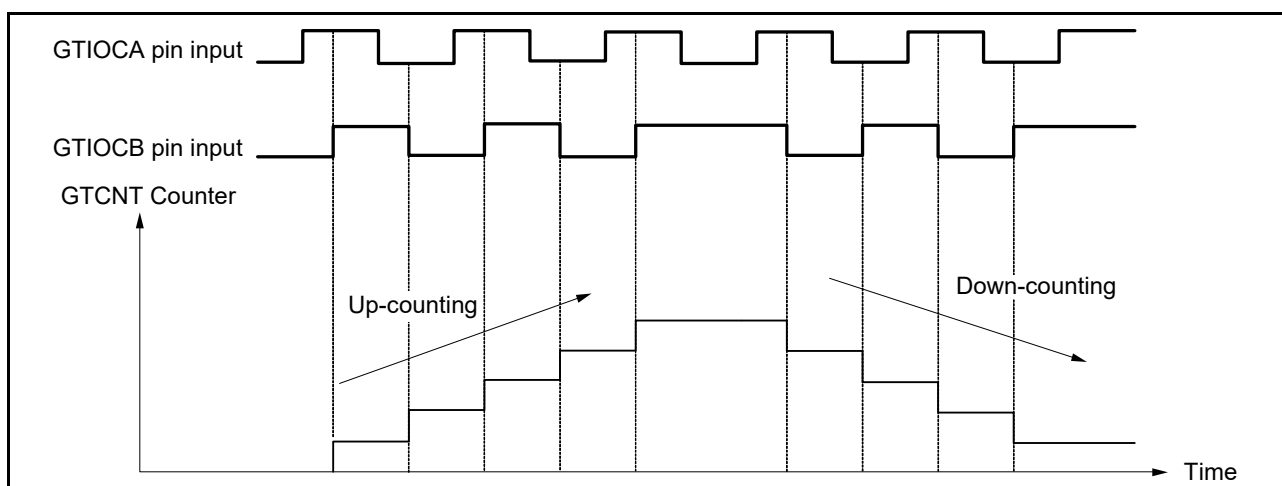


Figure 22.74 Example of phase counting mode 4

Table 22.14 Conditions of up-counting/down-counting in phase counting mode 4

| GTIOCA pin input | GTIOCB pin input | Operation | Register setting |
|------------------|------------------|---------------|--------------------------------------------|
| High | | Up-counting | GTUPSR = 0000 6000h GTDNSR = 0000 9000h |
| Low | | | |
| | Low | Don't care | |
| | High | | |
| High | | Down-counting | |
| Low | | | |
| | High | Don't care | |
| | Low | | |

: Rising edge
 : Falling edge

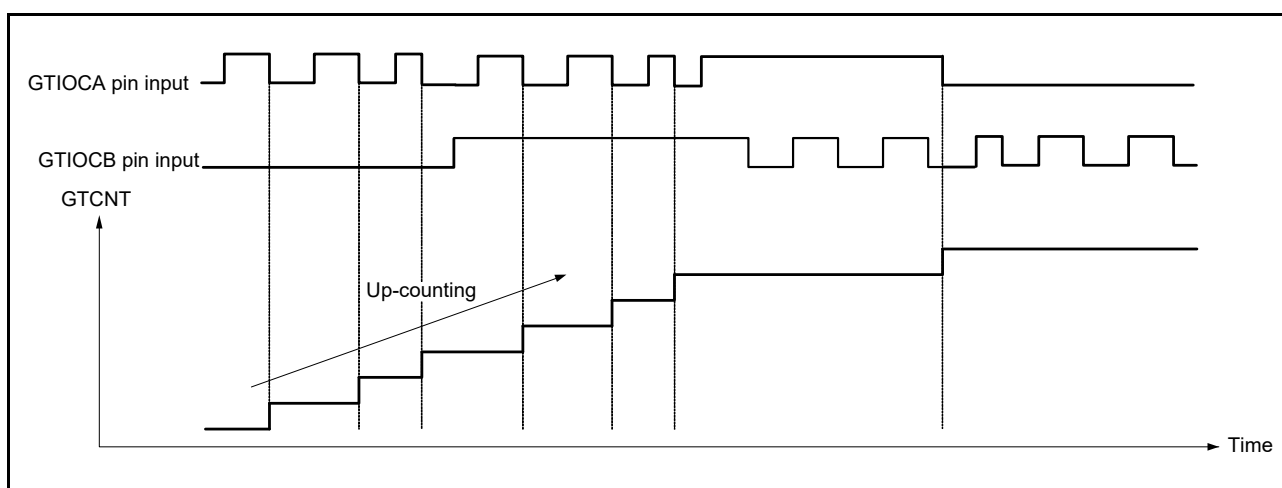



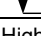
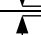
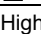






Figure 22.75 Example of phase counting mode 5 (A)

Table 22.15 Conditions of up-counting/down-counting in phase counting mode 5 (A)

| GTIOCA pin input | GTIOCB pin input | Operation | Register setting |
|-----------------------------------------------------------------------------------|-----------------------------------------------------------------------------------|-------------|--------------------------------------------|
| High |  | Don't care | GTUPSR = 0000 0C00h GTDNSR = 0000 0000h |
| Low |  | Don't care | |
|  | Low | Up-counting | |
|  | High | | |
| High |  | Don't care | |
| Low |  | Don't care | |
|  | High | Up-counting | |
|  | Low | | |

 : Rising edge
 : Falling edge

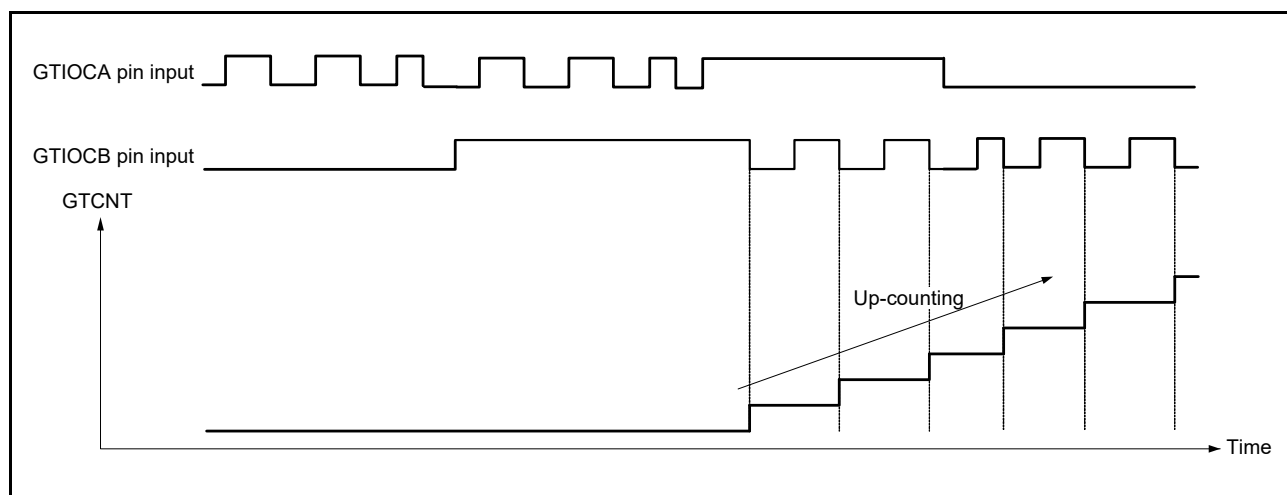

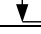
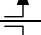
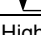
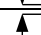
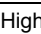






Figure 22.76 Example of phase counting mode 5 (B)

Table 22.16 Conditions of up-counting/down-counting in phase counting mode 5 (B)

| GTIOCA pin input | GTIOCB pin input | Operation | Register setting |
|-------------------------------------------------------------------------------------|-------------------------------------------------------------------------------------|-------------|--------------------------------------------|
| High |  | Don't care | GTUPSR = 0000 C000h GTDNSR = 0000 0000h |
| Low |  | Up-counting | |
|  | Low | Don't care | |
|  | High | Up-counting | |
| High |  | Up-counting | |
| Low |  | Don't care | |
|  | High | Up-counting | |
|  | Low | | |

 : Rising edge
 : Falling edge

22.3.11 Output Phase Switching (GPT_ OPS)

GPT_ OPS provides a function for easy control of brushless DC motor operation using the Output Phase Switching Control Register (OPSCR).

GPT_ OPS outputs a PWM signal to be used for chopper control or level signal for each phase (U-positive phase/negative phase, V-positive phase/negative phase, W-positive phase/negative phase) of the 6-phase motor control. This function uses a soft setting value (OPSCR.UF, VF, WF) set by software or external signals detected by the Hall element, a PWM waveform of GPT320.GTIOCA.

Figure 22.77 shows the GPT_ OPS control flow conceptual diagram.

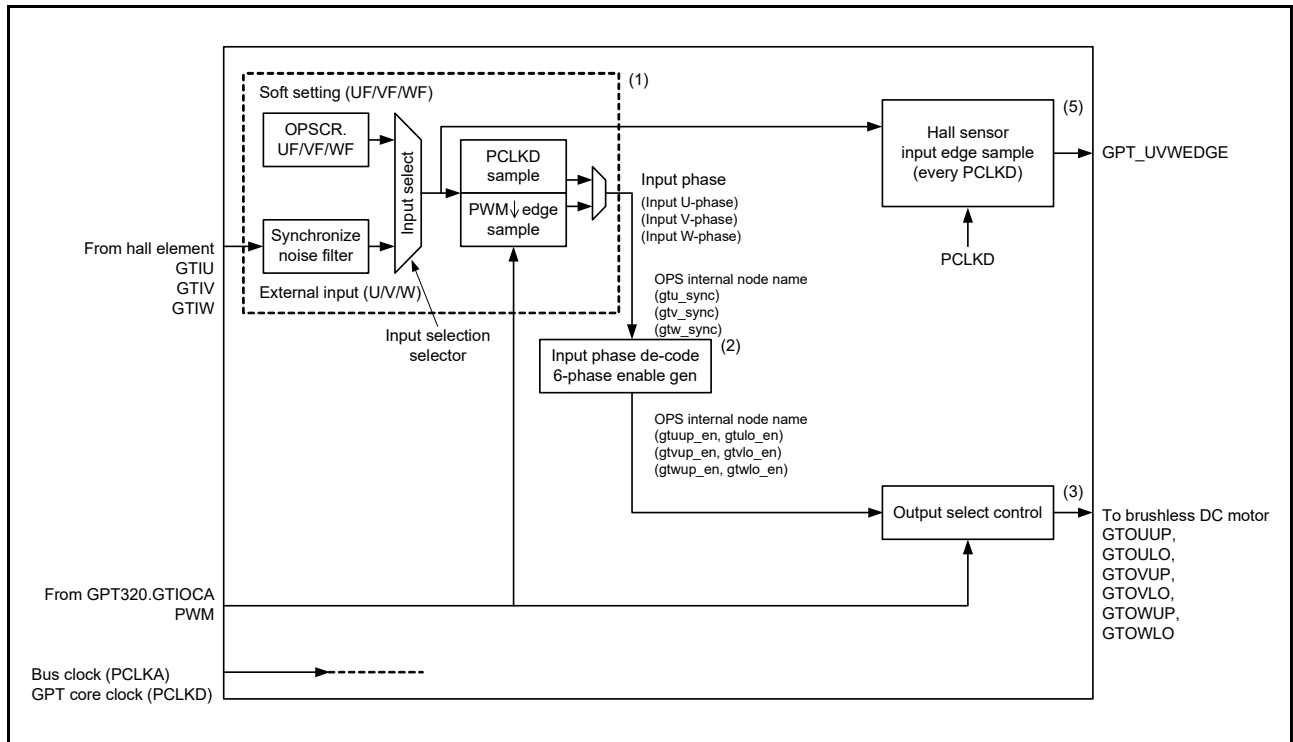


Figure 22.77 Conceptual diagram of GPT_ OPS control flow

Figure 22.78 shows a 6-phase level signals output example of a GPT_ OPS operation.

The GPT_ UVWEDGE signal in Figure 22.78 is the Hall sensor input edge to ELC output.

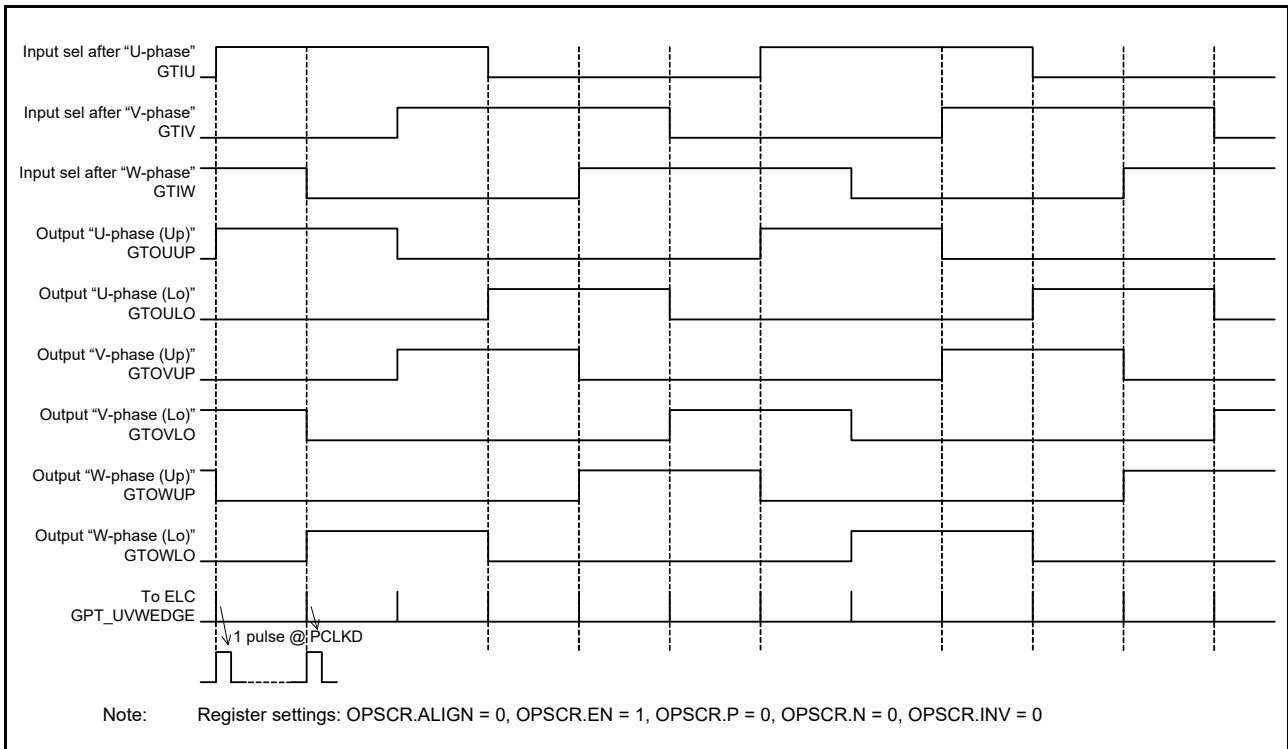


Figure 22.78 Example of 6-phase level output operation

Figure 22.79 shows a 6-phase PWM output example of a GPT_OPS operation with chopper control.

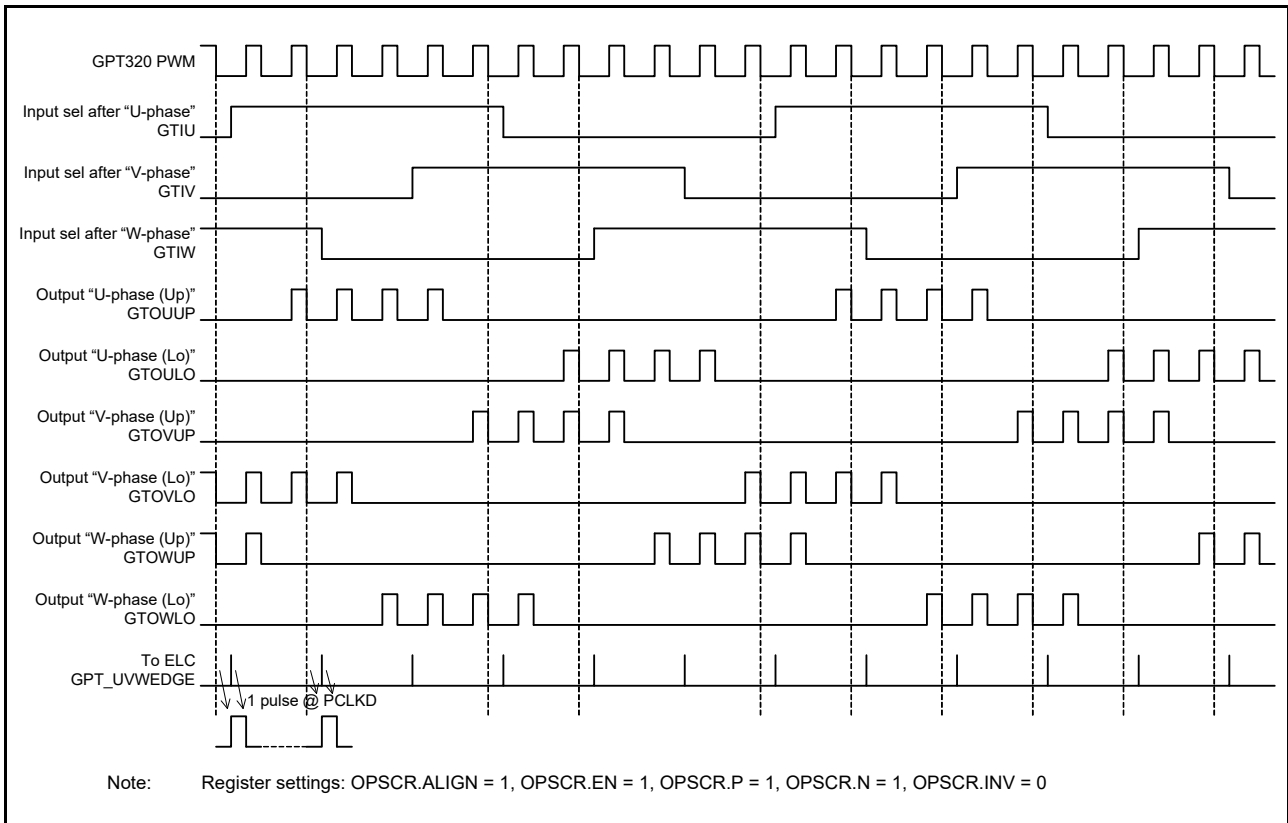


Figure 22.79 Example of 6-phase PWM output operation with chopper control

Figure 22.80 shows an example of output disable control (6-phase PWM output operation).

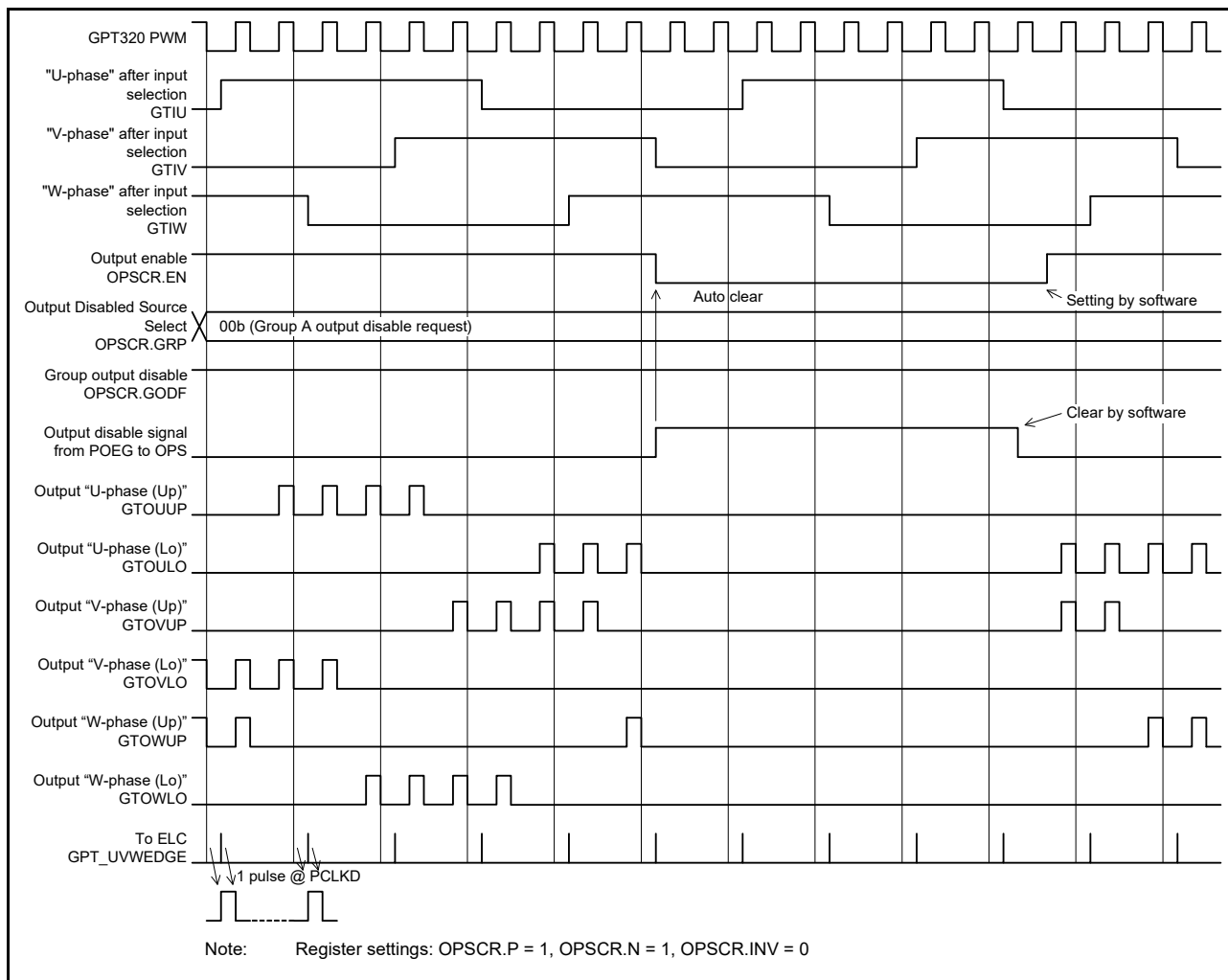


Figure 22.80 Example of group output disable control operation

22.3.11.1 Input selection and synchronization of external input signal

In the GPT_ OPS control flow conceptual diagram shown in Figure 22.77, (1) is a selection of input phase from software settings and external input by the OPSCR.FB bit.

When OPSCR.FB bit is 0, select the external input. Enable the input signal after synchronization with the GPT core clock (PCLKD). After carrying out noise filtering (optional), set the external input to the input phase of PWM (PWM of GPT320.GTIOCA) using falling edge sampling with OPSCR.ALIGN bit is 1.

When OPSCR.FB bit is 1, select the soft setting (OPSCR.UF, VF, WF) with the value of the input phase of PWM (PWM of GPT320.GTIOCA) using falling edge sampling with OPSCR.ALIGN bit is 1.

When OPSCR.ALIGN bit is 0, GPT_ OPS operates with the input phase of PCLKD synchronization with either OPSCR.FB bit is 0 or OPSCR.FB bit is 1. However, in some situations, the PWM pulse width of the output U/V/W phases (PWM output mode) of switch timing (just before or just after) is shortened.

Table 22.17 shows the input selection process and setting of associated OPSCR bits.

Table 22.17 Input selection processing method

| OPSCR register | | Selection of input phase sampling method (U/V/W-phase) | Synchronization input/output selection process (GPT_OPS internal node name) |
|----------------|-----------|-------------------------------------------------------------------------------------------|-------------------------------------------------------------------------------------------------|
| FB bit | ALIGN bit | | |
| 0 | 1 | External Input at PWM Falling Edge Sampling (PCLKD synchronization + falling edge sample) | Input Phase Input U-Phase (gtu_sync) Input V-Phase (gtv_sync) Input W-Phase (gtw_sync) |
| | 0 | External Input at PCLKD Synchronization Output (PCLKD synchronization + through mode) | |
| 1 | 1 | Software Settings at PWM Falling Edge Sampling (OPSCR.UF, VF, WF of falling edge sample) | |
| | 0 | Software Setting Value Selection (= OPSCR.UF/VF/WF value) (= PCLKD synchronization) | |

22.3.11.2 Input sampling

The OPSCR.U, V, W bits indicate the PCLKD sampling results of the input selected by the OPSCR.FB bit.

When OPSCR.FB bit = 0 and after synchronization with the GPT core clock (PCLKD) and noise filtering (optional), OPSCR.U, V, W bits indicate the sampling results of the external input. When OPSCR.FB bit = 1, OPSCR.U, V, W bits have the value (OPSCR.UF, VF, WF) of the soft setting.

22.3.11.3 Input phase decode

In the GPT_OPS control flow conceptual diagram shown in Figure 22.77, (2) enables the 6-phase signals by decoding the input phase selected by the OPSCR.FB bit. The 6-phase enable signal is used for internal processing of GPT_OPS.

Table 22.18 shows the decode table of input phase.

Table 22.18 Decode table of input phase

| Input phase (U/V/W) (GPT_OPS internal node name) | | | 6-phase enable {U/V/W (Up/Lo)} by decoding input phase (GPT_OPS internal node name) | | | | | |
|-----------------------------------------------------|---------------|---------------|----------------------------------------------------------------------------------------|--------------|--------------|--------------|--------------|--------------|
| Input U-phase | Input V-phase | Input W-phase | U-phase (Up) | U-phase (Lo) | V-phase (Up) | V-phase (Lo) | W-phase (Up) | W-phase (Lo) |
| (gtu_sync) | (gtv_sync) | (gtw_sync) | (gtuup_en) | (gtulo_en) | (gtvup_en) | (gtvlo_en) | (gtwup_en) | (gtwlo_en) |
| 1 | 0 | 1 | 1 | 0 | 0 | 1 | 0 | 0 |
| 1 | 0 | 0 | 1 | 0 | 0 | 0 | 0 | 1 |
| 1 | 1 | 0 | 0 | 0 | 1 | 0 | 0 | 1 |
| 0 | 1 | 0 | 0 | 1 | 1 | 0 | 0 | 0 |
| 0 | 1 | 1 | 0 | 1 | 0 | 0 | 1 | 0 |
| 0 | 0 | 1 | 0 | 0 | 0 | 1 | 1 | 0 |
| 0 | 0 | 0 | 0 | 0 | 0 | 0 | 0 | 0 |
| 1 | 1 | 1 | 0 | 0 | 0 | 0 | 0 | 0 |

22.3.11.4 Output selection control

In the GPT_OPS control flow conceptual diagram in Figure 22.77, (3) represents the selection of the output waveform by setting the OPSCR register bit.

For output selection, the following bits are relevant:

- The OPSCR.EN bit controls whether to output the 6-phase output, or to stop
- The OPSCR.P and OPSCR.N bits can select from the level signal or PWM signal (chopper output) for the output phase
- The polarity of the output phase can be set to positive logic or negative logic by the OPSCR.INV bit.

Table 22.19 and Table 22.20 show the output selection control method using the OPSCR register bit.

Table 22.19 Output selection control method (positive phase)

| Enable-phase output control | Positive-phase output (P) control | Invert-phase output control | Output port name (positive phase = up) (output selection internal node allocation) | |
|-----------------------------|-----------------------------------|-----------------------------|---------------------------------------------------------------------------------------|-----------------------------------------------------------|
| Register OPSCR.EN | Register OPSCR.P | Register OPSCR.INV | GTOUUP GTOVUP GTOWUP | Mode |
| 0 | x | x | 0 | Output Stop (External pin: Hi-Z) GPT_OPS → 0 output |
| 1 | 0 | 0 | Level signal (gtuup_en) (gtvup_en) (gtwup_en) | Level Output Mode (Positive phase) (Positive logic) |
| 1 | 0 | 1 | Level signal (~gtuup_en) (~gtvup_en) (~gtwup_en) | Level Output Mode (Positive phase) (Negative logic) |
| 1 | 1 | 0 | PWM signal (PWM & gtuup_en) (PWM & gtvup_en) (PWM & gtwup_en) | PWM Output Mode (Positive phase) (Positive logic) |
| 1 | 1 | 1 | PWM signal (~(PWM & gtuup_en)) (~(PWM & gtvup_en)) (~(PWM & gtwup_en)) | PWM Output Mode (Positive phase) (Negative logic) |

Table 22.20 Output selection control method (negative phase)

| Enable-phase output control | Negative-phase output (N) control | Invert-phase output control | Output port name (negative phase = Lo) (output selection internal node allocation) | |
|-----------------------------|-----------------------------------|-----------------------------|---------------------------------------------------------------------------------------|-----------------------------------------------------------|
| Register OPSCR.EN | Register OPSCR.N | Register OPSCR.INV | GTOULO GTOVLO GTOWLO | Mode |
| 0 | x | x | 0 | Output Stop (External pin: Hi-Z) GPT_OPS → 0 output |
| 1 | 0 | 0 | Level signal (gtulo_en) (gtvlo_en) (gtwlo_en) | Level Output Mode (Negative phase) (Positive logic) |
| 1 | 0 | 1 | Level signal (~gtulo_en) (~gtvlo_en) (~gtwlo_en) | Level Output Mode (Negative phase) (Negative logic) |
| 1 | 1 | 0 | PWM signal (PWM & gtulo_en) (PWM & gtvlo_en) (PWM & gtwlo_en) | PWM Output Mode (Negative phase) (Positive logic) |
| 1 | 1 | 1 | PWM signal (~(PWM & gtulo_en)) (~(PWM & gtvlo_en)) (~(PWM & gtwlo_en)) | PWM Output Mode (Negative phase) (Negative logic) |

22.3.11.5 Output selection control (group output disable function)

When OPSCR.GODF is 1 and the signal value selected by the OPSCR.GRP bit is high (output disable request), the GPT_OPS output pins are changed to Hi-Z asynchronously and the OPSCR.EN bit is set to 0 by the output disable request signal synchronized with PCLKD. For the return, set the OPSCR.EN to 1 after clearing the output disable request by software.

The timing of the OPSCR.EN bit cleared to 0 is 3 PCLKD cycles after generating the output disable request. To perform output disable control reliably, allow at least 4 PCLKD cycles after generating the output disable request (by clearing the output disable request flag in POEG) until the output disable request is terminated. For an example of the operation of group output disable control, see [Figure 22.80](#).

22.3.11.6 Event Link Controller (ELC) output

In the GPT_OPS control flow conceptual diagram shown in [Figure 22.77](#), (5) outputs the Hall sensor input signal edge to the ELC.

The Hall sensor input edge signal is the logical OR of the rising and falling edge signals of each U-phase/V-phase/W-phase input sampled at PCLKD. That is, if the high period of each of the U-phase/V-phase/W-phase input is short in duration, the Hall sensor edge input signal is not output at that time.

When OPSCR.FB bit is 0, the Hall sensor input edge signal is the logical OR of the edge signals of the external input phase sampled at PCLKD.

When OPSCR.FB bit is 1, the Hall sensor input edge signal is the logical OR of the edge of the soft setting (OPSCR.UF, VF, WF) sampled at PCLKD.

See [Figure 22.78](#) to [Figure 22.80](#) for examples of the output signal to the ELC.

22.3.11.7 GPT_OPS start operation setting flow

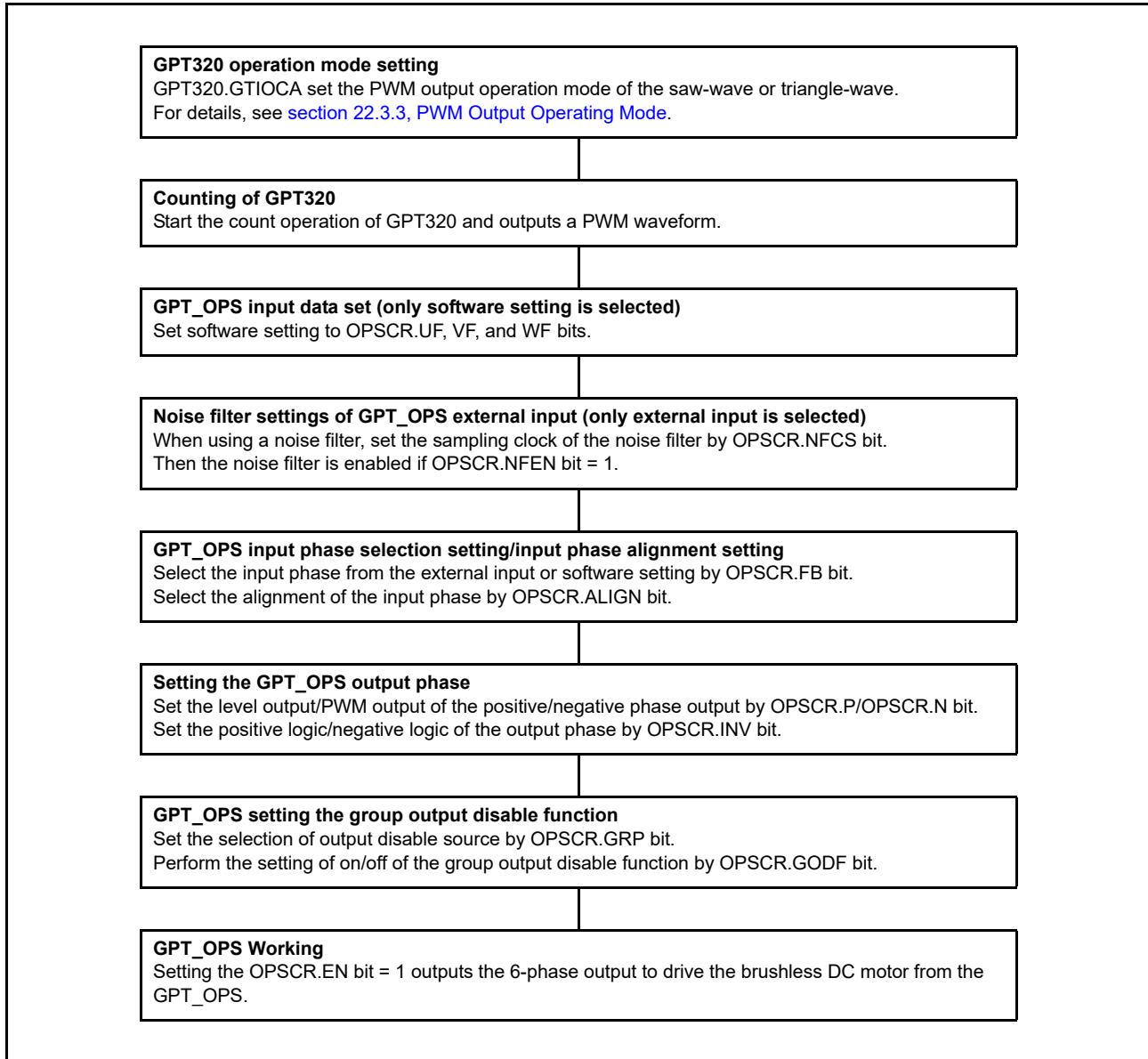


Figure 22.81 Example setting of GPT_OPS start operation

22.4 Interrupt Sources

22.4.1 Interrupt Sources

The GPT provides the following interrupt sources:

- GTCCR input capture/compare match
- GTCNT counter overflow (GTPR compare match)/underflow.

Each interrupt source has its own status flag. When an interrupt source signal is generated, the associated status flag in GTST is set to 1. The associated status flag in GTST can be cleared by writing 0. If flag set and flag clear occur at the same time, flag clear takes priority over flag set. These flags are automatically updated by the internal state. [Table 22.21](#) lists the GPT interrupt sources.

Table 22.21 Interrupt sources (1 of 2)

| Channel | Name | Interrupt source | Interrupt flag | DMAC/DTC activation |
|---------|------------|---------------------------------------------------|----------------|---------------------|
| 0 | GPT0_CCMPA | GPT320.GTCCRA input capture/compare match | TCFA | Possible |
| | GPT0_CCMPB | GPT320.GTCCRB input capture/compare match | TCFB | Possible |
| | GPT0_CMPC | GPT320.GTCCRC compare match | TCFC | Possible |
| | GPT0_CMPD | GPT320.GTCCRD compare match | TCFD | Possible |
| | GPT0_CMPE | GPT320.GTCCRE compare match | TCFE | Possible |
| | GPT0_CMPF | GPT320.GTCCRF compare match | TCFF | Possible |
| | GPT0_OVF | GPT320.GTCNT overflow (GPT320.GTPR compare match) | TCFPO | Possible |
| | GPT0_UDF | GPT320.GTCNT underflow | TCFPU | Possible |
| 1 | GPT1_CCMPA | GPT321.GTCCRA input capture/compare match | TCFA | Possible |
| | GPT1_CCMPB | GPT321.GTCCRB input capture/compare match | TCFB | Possible |
| | GPT1_CMPC | GPT321.GTCCRC compare match | TCFC | Possible |
| | GPT1_CMPD | GPT321.GTCCRD compare match | TCFD | Possible |
| | GPT1_CMPE | GPT321.GTCCRE compare match | TCFE | Possible |
| | GPT1_CMPF | GPT321.GTCCRF compare match | TCFF | Possible |
| | GPT1_OVF | GPT321.GTCNT overflow (GPT321.GTPR compare match) | TCFPO | Possible |
| | GPT1_UDF | GPT321.GTCNT underflow | TCFPU | Possible |
| 2 | GPT2_CCMPA | GPT162.GTCCRA input capture/compare match | TCFA | Possible |
| | GPT2_CCMPB | GPT162.GTCCRB input capture/compare match | TCFB | Possible |
| | GPT2_CMPC | GPT162.GTCCRC compare match | TCFC | Possible |
| | GPT2_CMPD | GPT162.GTCCRD compare match | TCFD | Possible |
| | GPT2_CMPE | GPT162.GTCCRE compare match | TCFE | Possible |
| | GPT2_CMPF | GPT162.GTCCRF compare match | TCFF | Possible |
| | GPT2_OVF | GPT162.GTCNT overflow (GPT162.GTPR compare match) | TCFPO | Possible |
| | GPT2_UDF | GPT162.GTCNT underflow | TCFPU | Possible |
| 3 | GPT3_CCMPA | GPT163.GTCCRA input capture/compare match | TCFA | Possible |
| | GPT3_CCMPB | GPT163.GTCCRB input capture/compare match | TCFB | Possible |
| | GPT3_CMPC | GPT163.GTCCRC compare match | TCFC | Possible |
| | GPT3_CMPD | GPT163.GTCCRD compare match | TCFD | Possible |
| | GPT3_CMPE | GPT163.GTCCRE compare match | TCFE | Possible |
| | GPT3_CMPF | GPT163.GTCCRF compare match | TCFF | Possible |
| | GPT3_OVF | GPT163.GTCNT overflow (GPT163.GTPR compare match) | TCFPO | Possible |
| | GPT3_UDF | GPT163.GTCNT underflow | TCFPU | Possible |
| 4 | GPT4_CCMPA | GPT164.GTCCRA input capture/compare match | TCFA | Possible |
| | GPT4_CCMPB | GPT164.GTCCRB input capture/compare match | TCFB | Possible |
| | GPT4_CMPC | GPT164.GTCCRC compare match | TCFC | Possible |
| | GPT4_CMPD | GPT164.GTCCRD compare match | TCFD | Possible |
| | GPT4_CMPE | GPT164.GTCCRE compare match | TCFE | Possible |
| | GPT4_CMPF | GPT164.GTCCRF compare match | TCFF | Possible |
| | GPT4_OVF | GPT164.GTCNT overflow (GPT164.GTPR compare match) | TCFPO | Possible |
| | GPT4_UDF | GPT164.GTCNT underflow | TCFPU | Possible |

Table 22.21 Interrupt sources (2 of 2)

| Channel | Name | Interrupt source | Interrupt flag | DMAC/DTC activation |
|---------|------------|---------------------------------------------------|----------------|---------------------|
| 5 | GPT5_CCMPA | GPT165.GTCCRA input capture/compare match | TCFA | Possible |
| | GPT5_CCMPB | GPT165.GTCCRB input capture/compare match | TCFB | Possible |
| | GPT5_CMPC | GPT165.GTCCRC compare match | TCFC | Possible |
| | GPT5_CMPD | GPT165.GTCCRD compare match | TCFD | Possible |
| | GPT5_CMPE | GPT165.GTCCRE compare match | TCFE | Possible |
| | GPT5_CMPF | GPT165.GTCCRF compare match | TCFF | Possible |
| | GPT5_OVF | GPT165.GTCNT overflow (GPT165.GTPR compare match) | TCFPO | Possible |
| | GPT5_UDF | GPT165.GTCNT underflow | TCFPU | Possible |
| 6 | GPT6_CCMPA | GPT166.GTCCRA input capture/compare match | TCFA | Possible |
| | GPT6_CCMPB | GPT166.GTCCRB input capture/compare match | TCFB | Possible |
| | GPT6_CMPC | GPT166.GTCCRC compare match | TCFC | Possible |
| | GPT6_CMPD | GPT166.GTCCRD compare match | TCFD | Possible |
| | GPT6_CMPE | GPT166.GTCCRE compare match | TCFE | Possible |
| | GPT6_CMPF | GPT166.GTCCRF compare match | TCFF | Possible |
| | GPT6_OVF | GPT166.GTCNT overflow (GPT166.GTPR compare match) | TCFPO | Possible |
| | GPT6_UDF | GPT166.GTCNT underflow | TCFPU | Possible |
| 7 | GPT7_CCMPA | GPT167.GTCCRA input capture/compare match | TCFA | Possible |
| | GPT7_CCMPB | GPT167.GTCCRB input capture/compare match | TCFB | Possible |
| | GPT7_CMPC | GPT167.GTCCRC compare match | TCFC | Possible |
| | GPT7_CMPD | GPT167.GTCCRD compare match | TCFD | Possible |
| | GPT7_CMPE | GPT167.GTCCRE compare match | TCFE | Possible |
| | GPT7_CMPF | GPT167.GTCCRF compare match | TCFF | Possible |
| | GPT7_OVF | GPT167.GTCNT overflow (GPT167.GTPR compare match) | TCFPO | Possible |
| | GPT7_UDF | GPT167.GTCNT underflow | TCFPU | Possible |

(1) GPTn_CCMPA interrupt (n = 0 to 7)

An interrupt request is generated under the following conditions:

- When the GTCCRA register functions as a compare match register, the GTCNT counter value matches with the GTCCRA register
- When the GTCCRA register functions as an input capture register, the input-capture signal causes transfer of the GTCNT counter value to the GTCCRA register.

(2) GPTn_CCMPB interrupt (n = 0 to 7)

An interrupt request is generated under the following conditions:

- When the GTCCRB register functions as a compare match register, the GTCNT counter value matches with the GTCCRB register
- When the GTCCRB register functions as an input capture register, the input-capture signal causes transfer of the GTCNT counter value to the GTCCRB register.

(3) GPTn_CMPC interrupt (n = 0 to 7)

An interrupt request is generated under the following condition:

- When the GTCCRC register functions as a compare match register, the GTCNT counter value matches with the GTCCRC register.

A compare match is not performed and thus interrupt is not requested under the following conditions:

- GTCR.MD[2:0] = 001b (saw-wave one-shot pulse mode)

- GTCR.MD[2:0] = 110b (triangle-wave PWM mode 3)
- GTBER.CCRA[1:0] = 01b, 10b, 11b (buffer operation with the GTCCRC register).

(4) GPTn_CMPD interrupt (n = 0 to 7)

An interrupt request is generated under the following condition:

- When the GTCCRD register functions as a compare match register, the GTCNT counter value matches with the GTCCRD register.

A compare match is not performed and thus interrupt is not requested under the following conditions:

- GTCR.MD[2:0] = 001b (saw-wave one-shot pulse mode)
- GTCR.MD[2:0] = 110b (triangle-wave PWM mode 3)
- GTBER.CCRA[1:0] = 10b, 11b (buffer operation with the GTCCRD register).

(5) GPTn_CMPE interrupt (n = 0 to 7)

An interrupt request is generated under the following condition:

- When the GTCCRE register functions as a compare match register, the GTCNT counter value matches with the GTCCRE register.

A compare match is not performed and therefore interrupt is not requested under the following conditions:

- GTCR.MD[2:0] = 001b (saw-wave one-shot pulse mode)
- GTCR.MD[2:0] = 110b (triangle-wave PWM mode 3)
- GTBER.CCRB[1:0] = 01b, 10b, 11b (buffer operation with the GTCCRE register).

(6) GPTn_CMPF interrupt (n = 0 to 7)

An interrupt request is generated under the following condition:

- When the GTCCRF register functions as a compare match register, the GTCNT counter value matches with the GTCCRF register.

A compare match is not performed and therefore interrupt is not requested under the following conditions:

- GTCR.MD[2:0] = 001b (saw-wave one-shot pulse mode)
- GTCR.MD[2:0] = 110b (triangle-wave PWM mode 3)
- GTBER.CCRB[1:0] = 10b, 11b (buffer operation with the GTCCRF register).

(7) GPTn_OVF interrupt (n = 0 to 7)

An interrupt request is generated under the following conditions:

- In saw-wave mode, interrupt requests are enabled at overflows (when the GTCNT counter value changes from GTPR to 0 during up-counting)
- In triangle-wave mode, interrupt requests are enabled at crests (GTCNT changes from GTPR to GTPR-1)
- In counting by hardware sources, overflow (GTCNT changes from GTPR to 0 in up count) has occurred.

(8) GPTn_UDF interrupt (n = 0 to 7)

An interrupt request is generated under the following conditions:

- In saw-wave mode, interrupt requests are enabled at underflows (when the GTCNT counter value changes from 0 to GTPR during down-counting)
- In triangle-wave mode, interrupt requests are enabled at troughs (GTCNT changes from 0 to 1)
- In counting by hardware sources, underflow (GTCNT changes from 0 to GTPR in down count) has occurred.

Table 22.22 Interrupt signals and interrupt status flags

| Interrupt signal | Interrupt status flag |
|------------------|-----------------------|
| GPTn_UDF | GTST[7] (TCFPU) |
| GPTn_OVF | GTST[6] (TCFPO) |
| GPTn_CMPF | GTST[5] (TCFF) |
| GPTn_CMPE | GTST[4] (TCFE) |
| GPTn_CMPD | GTST[3] (TCFD) |
| GPTn_CMPC | GTST[2] (TCFC) |
| GPTn_CCMPB | GTST[1] (TCFB) |
| GPTn_CCMPA | GTST[0] (TCFA) |

Note: n = 0 to 7

22.4.2 DMAC/DTC Activation

The DMAC and DTC can be activated by the interrupt in each channel. For details, see [section 13, Interrupt Controller Unit \(ICU\)](#), [section 16, DMA Controller \(DMAC\)](#), and [section 17, Data Transfer Controller \(DTC\)](#).

22.5 Operations Linked by ELC

22.5.1 Event Signal Output to ELC

The GPT can perform operation linked with another module set in advance when its interrupt request signal is used as an event signal by the event link controller (ELC).

The GPT has the following ELC event signals:

- Generation of compare match A interrupt (GPTn_CCMPA)
- Generation of compare match B interrupt (GPTn_CCMPB)
- Generation of compare match C interrupt (GPTn_CMPC)
- Generation of compare match D interrupt (GPTn_CMPD)
- Generation of compare match E interrupt (GPTn_CMPE)
- Generation of compare match F interrupt (GPTn_CMPF)
- Generation of overflow interrupt (GPTn_OVF)
- Generation of underflow interrupt (GPTn_UDF).

Note: n = 0 to 7.

22.5.2 Event Signal Inputs from ELC

The GPT can perform the following operations in response to a maximum of eight events from the ELC:

- Start counting, stop counting, clear counting
- Up-counting, down-counting
- Input capture.

See [section 22.3, Operation](#) for detail on hardware sources.

22.6 Noise Filter Function

Each pin for use in input capture and Hall sensor input to the GPT is equipped with a noise filter. The noise filter samples input signals at the sampling clock and removes the pulses whose length is less than 3 sampling cycles.

The noise filter functionality includes enabling and disabling the noise filter for each pin and setting of the sampling clock for each channel.

Figure 22.82 shows the timing of noise filtering.

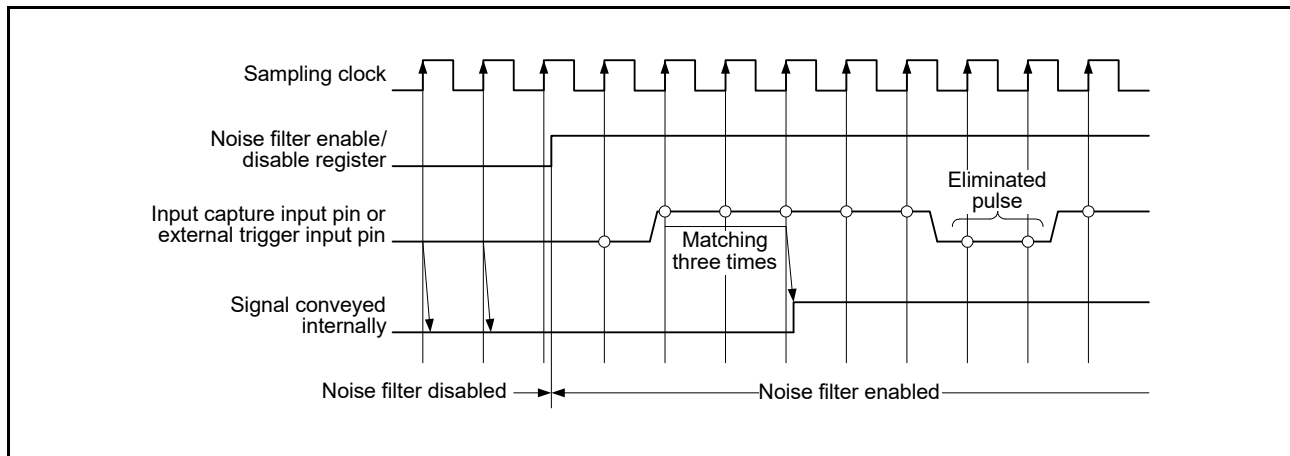


Figure 22.82 Timing of noise filtering

If noise filtering is enabled, the input capture operation or external trigger operation performs on the edges of the noise filtered signal after a delay of a sampling interval $\times 3 + \text{PCLKD}$. This is caused by the noise filtering for the input capture input or external trigger operation.

22.7 Protection Function

22.7.1 Write-Protection for Registers

To prevent registers from being accidentally modified, registers can be write-protected in channel units by setting `GTWP.WP`. Write-protection can be set for the following registers:

`GTSSR`, `GTPSR`, `GTCSR`, `GTUPSR`, `GTDNSR`, `GTICASR`, `GTICBSR`, `GTCR`, `GTUDDTYC`, `GTIOR`, `GTINTAD`, `GTST`, `GTBER`, `GTCNT`, `GTCCRA`, `GTCCRB`, `GTCCRC`, `GTCCRD`, `GTCCRE`, `GTCCRF`, `GTPR`, `GTPBR`, `GTDTCR`, `GTDVU`.

22.7.2 Disabling of Buffer Operation

If the timing of the buffer register write is delayed relative to the timing for the buffer transfer, buffer operation can be suspended with the `GTBER.BD` setting. Buffer transfer can be temporarily disabled even though a buffer transfer condition is generated during a buffer register write. This can be done by setting the associated `GTBER.BD` bit to 1 (buffer operation disabled) before the buffer register write and clearing the bit to 0 (buffer operation enabled) after completion of writing to all buffer registers.

Figure 22.83 shows an example of operation for disabling buffer operation.

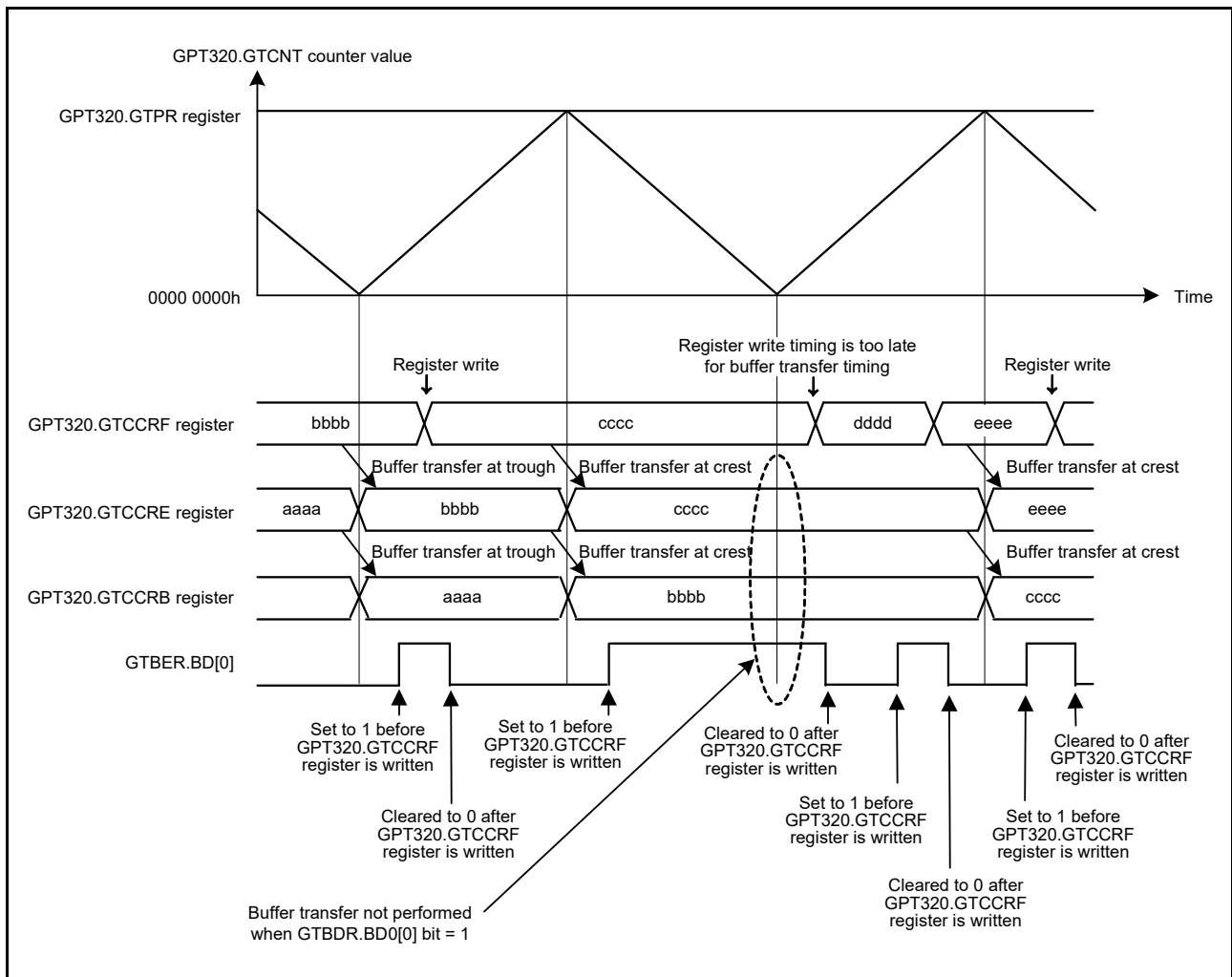


Figure 22.83 Example of operation for disabling buffer operation with triangle waves, double buffer operation, and buffer transfer at both troughs and crests

22.7.3 GTIOC Pin Output Negate Control

For protection from system failure, the output disable control that changes the GTIOC pin output value forcibly is provided for GTIOC pin output by the request of output disable from POEG.

When the GTIOCA pin output value is the same as the GTIOCB pin output value, output protection is required. GPT detects such a case and generates output disable requests to POEG based on the settings in the output disable request permission bits, such as GTINTAD.GRPABH, GTINTAD.GRPABL. When the POEG receives output disable requests from each channel and calculates external input using an OR operation, the POEG generates output disable requests to GPT.

One output disable signal (representing the common output disable request signal of the GTIOCA pin and the GTIOCB pin) out of four output disable requests generated by the POEG is selected by setting GTINTAD.GRP[1:0]. The status of the selected disable output request is monitored by reading the GTST.ODF bit. The output level during output disable is set based on the GTIOR.OADF[1:0] setting for the GTIOCA pin and the GTIOR.OBDF[1:0] setting for the GTIOCB pin.

The change to the output disable state is performed asynchronously by generating the output disable request from the POEG. The release of the output disable state is performed at end of cycle by terminating the output disable request. The timing of release of the output disable state is a minimum of 3 PCLKD cycles after terminating the output disable request. To perform output disable control reliably, allow at least 4 PCLKD cycles after generating the output disable request (by clearing the output disable request flag in POEG) until the output disable request is terminated.

When event count is performed or when the output disable state is to be released immediately without waiting for an end

of cycle, GTIOR.OADF[1:0] should be set to 00b (for GTIOCA pin) or GTIOR.OBDF[1:0] should be set to 00b (for GTIOCB pin).

Figure 22.84 shows an example of the GTIOC pin output disable control operation.

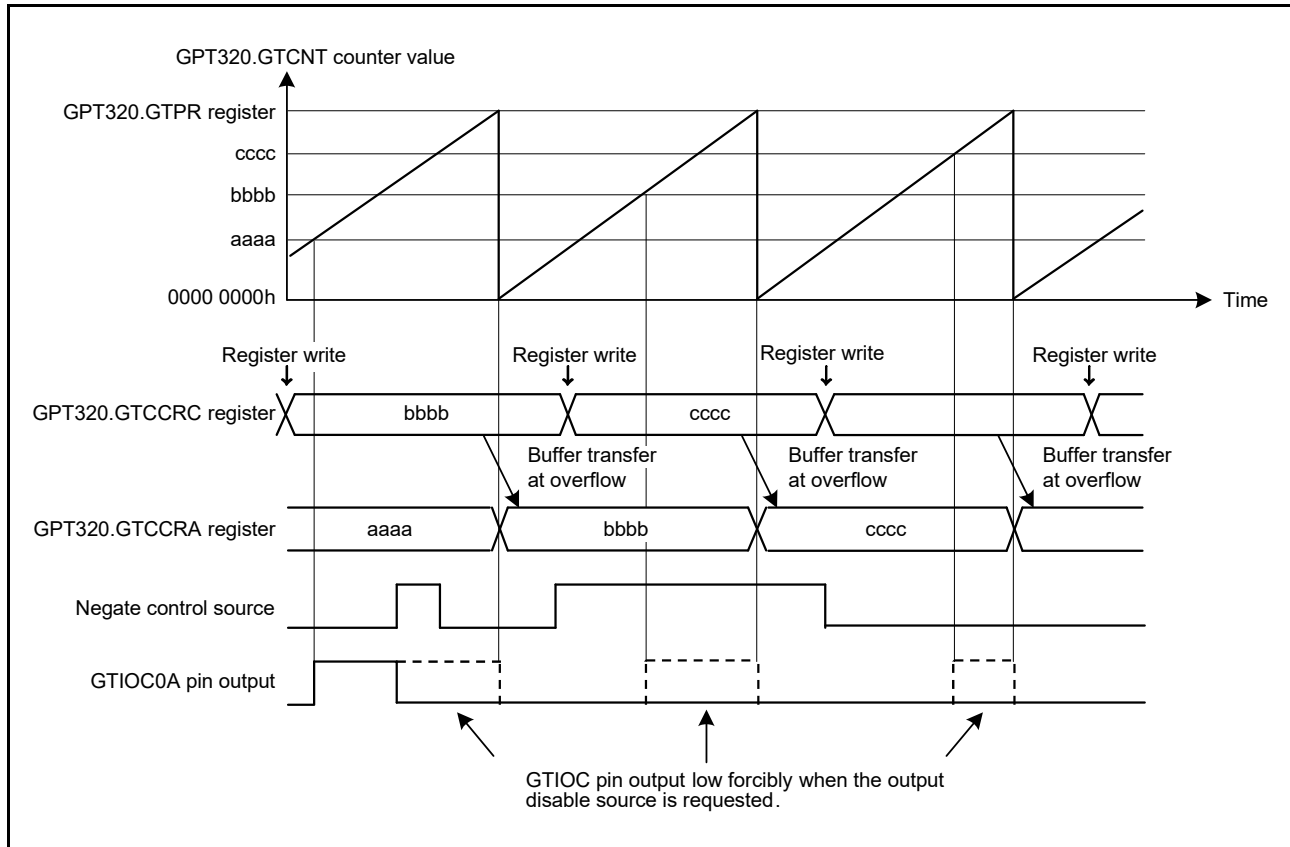


Figure 22.84 Example of GTIOC pin output disable control operation in saw-wave up-counting, buffer operation, active level 1 (high output at GTCCRA compare match, low output at cycle end, and low output at output disable)

22.8 Initialization Method of Output Pins

22.8.1 Pin Settings after Reset

The GPT registers are initialized at reset. Start counting after selecting the port pin function by the PmnPFS register, setting GTIOR.OAE and GTIOR.OBE bits, and outputting the GPT function to external pins.

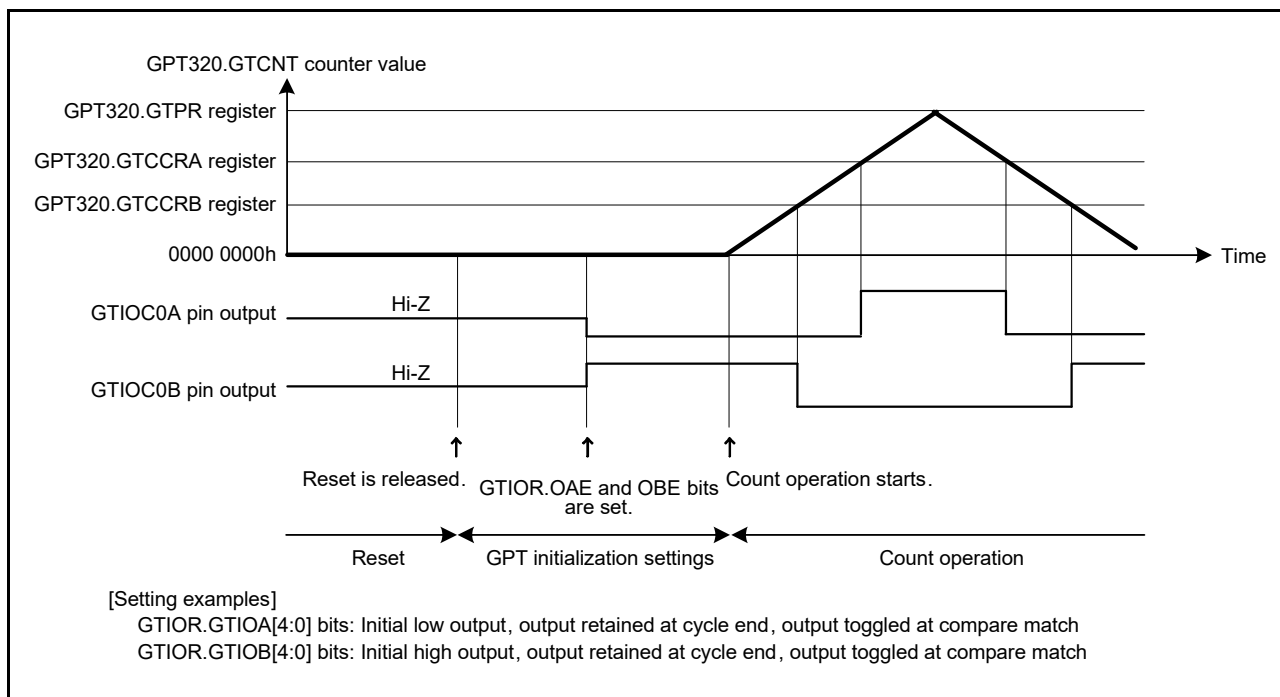


Figure 22.85 Example of pin settings after reset

22.8.2 Pin Initialization Due to Error during Operation

If an error occurs during GPT operation, the following four types of pin processing can be performed before pin initialization:

- Set OAHLD and OBHLD bits in GTIOR to 1 and retain the outputs at count stop
- Set OAHLD and OBHLD bits in GTIOR to 0, specify arbitrary output values at OADFLT and OBDFLT in GTIOR, and output the arbitrary values at count stop
- Set the pin to output an arbitrary value as a general output port by setting the PDR, PODR, and PmnPFS registers of the I/O port in advance. Set the OAE and OBE bits in GTIOR to 0, and the control bit associated with the pin in the PmnPFS.PMR to 0 to allow arbitrary values to be output from the pin set as a general output port when an error occurs.
- Drive the output to a high impedance state using the POEG function.

When the automatic dead time setting is made, clear the GTDTCR.TDE bit to 0 after counting stops. When counting stops, only the values of registers that are changed by a GPT external source change. If counting resumes, operation continues from where it stops. If counting stops, registers should be initialized before counting starts.

22.9 Usage Notes

22.9.1 Module-Stop Function Setting

The Module Stop Control Register can enable or disable GPT operation. The GPT module is initially stopped after a reset. Releasing the module-stop state enables access to the registers. For details, see [section 10, Low Power Modes](#).

22.9.2 GTCCRn Settings during Compare Match Operation (n = A to F)

(1) When automatic dead time setting is made in triangle-wave PWM mode

The GTCCRA register must satisfy the following conditions: $GTDVU < GTCCRA$ and $0 < GTCCRA < GTPR$.

(2) When automatic dead time setting is not made in triangle-wave PWM mode

The GTCCRA register must be set within the range of $0 < GTCCRA < GTPR$. If $GTCCRA = 0$ or $GTCCRA = GTPR$ is set, a compare match occurs within the cycle only when $GTCCRA = 0$ or $GTCCRA = GTPR$ is satisfied. When

$GTCCRA > GTPR$, no compare match occurs.

Similarly, $GTCCRB$ should be set within the range of $0 < GTCCRB < GTPR$. If $GTCCRB = 0$ or $GTCCRB = GTPR$ is set, a compare match occurs within the cycle only when $GTCCRB = 0$ or $GTCCRB = GTPR$ is satisfied. When $GTCCRB > GTPR$, no compare match occurs.

(3) When automatic dead time setting is made in saw-wave one-shot pulse mode

The $GTCCRC$ and $GTCCRD$ registers must be set to satisfy the following restrictions. If the restrictions are not satisfied, correct output waveforms with secured dead time may not be obtained.

- In up-counting: $GTCCRC < GTCCRD$, $GTCCRC > GTDVU$, $GTCCRD < GTPR - GTDVU$
- In down-counting: $GTCCRC > GTCCRD$, $GTCCRC < GTPR - GTDVU$, $GTCCRD > GTDVU$

(4) When automatic dead time setting is not made in saw-wave one-shot pulse mode

The $GTCCRC$ and $GTCCRD$ registers must be set to satisfy the following restrictions. If the restrictions are not satisfied, two compare matches do not occur and pulse output cannot be performed.

- In up-counting: $0 < GTCCRC < GTCCRD < GTPR$
- In down-counting: $GTPR > GTCCRC > GTCCRD > 0$.

Similarly, $GTCCRE$ and $GTCCRF$ must be set to satisfy the following restrictions. If the restrictions are not satisfied, two compare matches do not occur and pulse output cannot be performed.

- In up-counting: $0 < GTCCRE < GTCCRF < GTPR$
- In down-counting: $GTPR > GTCCRE > GTCCRF > 0$.

(5) In saw-wave PWM mode

The $GTCCRA$ register must be set with the range of $0 < GTCCRA < GTPR$. If $GTCCRA = 0$ or $GTCCRA = GTPR$ is set, a compare match occurs within the cycle only when $GTCCRA = 0$ or $GTCCRA = GTPR$ is satisfied. If $GTCCRA > GTPR$ is set, no compare match occurs.

Similarly, $GTCCRB$ must be set with the range of $0 < GTCCRB < GTPR$. If $GTCCRB = 0$ or $GTCCRB = GTPR$ is set, a compare match occurs within the cycle only when $GTCCRB = 0$ or $GTCCRB = GTPR$ is satisfied. If $GTCCRB > GTPR$ is set, no compare match occurs.

22.9.3 Setting Range for GTCNT Counter

The $GTCNT$ counter register must be set with the range of $0 \leq GTCNT \leq GTPR$.

22.9.4 Starting and Stopping the GTCNT Counter

The control timing of starting and stopping the $GTCNT$ counter by the $GTCR.CST$ bit synchronizes the count clock that is selected in $GTCR.TPCS[2:0]$. When $GTCR.CST$ is updated, the $GTCNT$ counter starts/stops after a count clock that is selected in $GTCR.TPCS[2:0]$. Therefore, an event generated before the $GTCNT$ counter actually starts is ignored. On the other hand, there might be cases where an event is accepted or an interrupt occurs after $GTCR.CST$ is set to 0.

22.9.5 Priority Order of each Event

(1) GTCNT register

Table 22.23 shows a priority order of events updating the $GTCNT$ register.

Table 22.23 Priority order of sources updating $GTCNT$

| Source of updating $GTCNT$ | Priority order |
|-------------------------------------------------------------|----------------|
| Writing by CPU (writing to $GTCNT/GTCLR$) | |
| Clear by hardware sources set in $GTCSR$ | |
| Count up or down by hardware sources set in $GTUPSR/GTDNSR$ | |
| Count operation | |

If up-counting and down-counting by hardware sources occur at the same time, the GTCNT counter value does not change. When there is a conflict between updating the GTCNT register and reading by the CPU, pre-update data is read.

(2) GTCR.CST bit

When there is a conflict between starting/stopping by hardware sources set in the GTSSR/GTPSR registers and writing by the CPU (writing to GTCR/GTSTR/GTSTP registers), writing by the CPU has priority over starting/stopping by hardware sources.

When there is a conflict between starting by hardware sources set in the GTSSR register and stopping by hardware sources set in GTPSR register, the GTCR.CST bit value does not change. When there is a conflict between updating the GTCR.CST bit and reading by the CPU, pre-update data is read.

(3) GTCCRm registers (m = A to F)

When there is a conflict between input capture/buffer transfer operation and writing to the GTCCRm registers, writing to the GTCCRm registers has priority over input capture/buffer transfer operation. When there is a conflict between input capture and writing to the counter register by the CPU or updating the counter register by hardware sources, the pre-update counter value is captured. When there is a conflict between updating the GTCCRm registers and reading by the CPU, pre-update data is read.

(4) GTPR registers

When there is a conflict between buffer transfer operation and writing to the GTPR register, writing to GTPR register has priority over the buffer transfer operation. When there is a conflict between updating the GTPR register and reading by the CPU, pre-update data is read.

23. Asynchronous General Purpose Timer (AGT)

23.1 Overview

The Asynchronous General Purpose Timer (AGT) is a 16-bit timer that can be used for pulse output, external pulse width or period measurement, and counting external events.

This 16-bit timer consists of a reload register and a down counter. The reload register and the down counter are allocated in the same address, and can be accessed with the AGT register.

Table 23.1 lists the AGT specifications, Figure 23.1 shows the block diagram, and Table 23.2 lists the AGT pin configuration.

Table 23.1 AGT specifications

| Parameter | | Description |
|----------------------------------------|-------------------------------|---------------------------------------------------------------------------------------------------------------------------------------------------------------------------------------------------------------------------------------------------------------------------------------------------------------------------------------------------------------------------------------------------------------------------------------------------------------------------------------------------------------------------------------------------------------------------------------------------------------------------------------------------------------------------------------------------------------------------------------------------------------------------------------------------------------------------------------------------------------------------------------------------------------------------------------------------------------------------|
| Operating modes | Timer mode | The count source is counted |
| | Pulse output mode | The count source is counted and the output is inverted at each timer underflow |
| | Event counter mode | An external event is counted |
| | Pulse width measurement mode | An external pulse width is measured |
| | Pulse period measurement mode | An external pulse period is measured |
| Count source (operating clock)*2 | | PCLKB, PCLKB/2, PCLKB/8, AGTLCLK/d, AGTSCLK/d, or underflow signal of AGT0*1 selectable (d = 1, 2, 4, 8, 16, 32, 64, or 128) |
| Interrupt/Event link function (output) | | <ul style="list-style-type: none"> • Underflow event signal or measurement complete event signal <ul style="list-style-type: none"> – When the counter underflows – When the measurement of the active width of the external input (AGTIO_n) is complete in pulse width measurement mode – When the set edge of the external input (AGTIO_n) is input in pulse period measurement mode. • Compare match A event signal <ul style="list-style-type: none"> – When the values of AGT and AGTCMA matched (compare match A function enabled) • Compare match B event signal <ul style="list-style-type: none"> – When the values of AGT and AGTCMB matched (compare match B function enabled) • Recovery from Software Standby mode can be performed with AGT1_AGTI, AGT1_AGTCMAI, or AGT1_AGTCMBI. |
| Selectable functions | | <ul style="list-style-type: none"> • Compare match function <ul style="list-style-type: none"> One or two of the compare match A register and compare match B register is selectable. |

Note 1. AGT0 cannot use it. AGT1 connects directly with the underflow event signal from the AGT0 timer.

Note 2. Satisfy the frequency of the peripheral module clock (PCLKB) \geq the frequency of the count source clock.

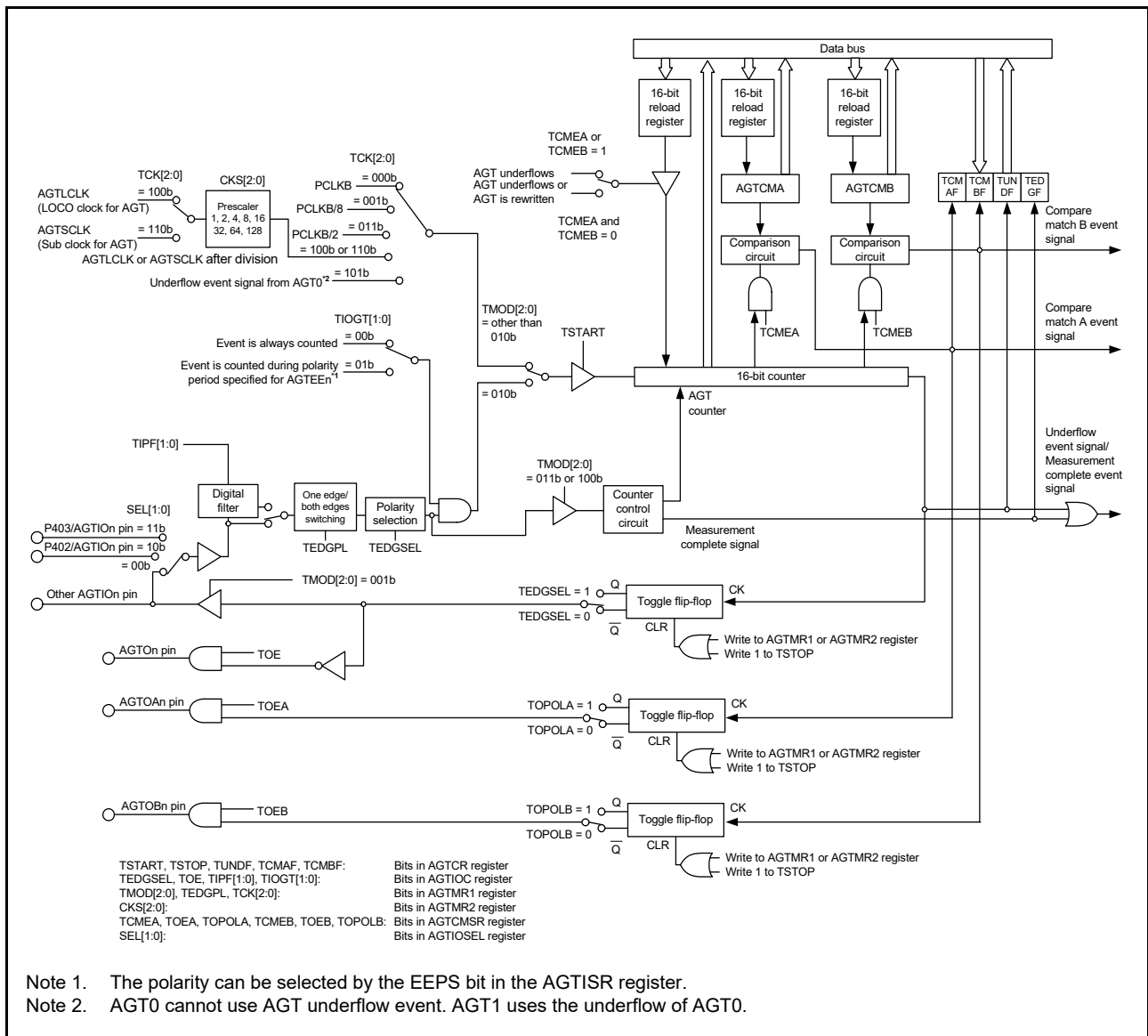


Figure 23.1 AGT block diagram

Table 23.2 AGT I/O pins

| Pin name | I/O | Function |
|-----------------------|----------------|-----------------------------------------------|
| AGTEEn | Input | External event input for AGT |
| AGTIO ⁿ *1 | Input*1/output | External event input and pulse output for AGT |
| AGTON | Output | Pulse output for AGT |
| AGTOAn | Output | Output compare match A output for AGT |
| AGTOBn | Output | Output compare match B output for AGT |

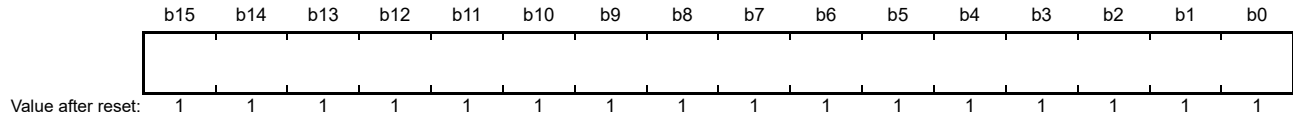
Note: Channel number (n = 0, 1)

Note 1. When AGTIOⁿ are assigned P403 and P402, AGTIOⁿ can only be used as inputs.

23.2 Register Descriptions

23.2.1 AGT Counter Register (AGT)

Address(es): [AGT0.AGT 4008 4000h](#), [AGT1.AGT 4008 4100h](#)



| Bit | Description | Setting Range | R/W |
|-----------|-------------------------------------------|----------------|-----|
| b15 to b0 | 16-bit counter and reload register *1, *2 | 0000h to FFFFh | R/W |

Note 1. When 1 is written to the TSTOP bit in the AGTCR register, the 16-bit counter is forcibly stopped and set to FFFFh.

Note 2. When the TCK[2:0] bit setting in the AGTMR1 register is a value other than 001b (PCLKB/8) or 011b (PCLKB/2), if the AGT register is set to 0000h, a request signal to the ICU, the DTC and the ELC is generated once immediately after the count starts. The AGTOn and AGTIO output is toggled.

When the AGT register is set to 0000h in event counter mode, regardless of the value of TCK[2:0] bits, a request signal to the ICU, the DTC and the ELC is generated once immediately after the count starts.

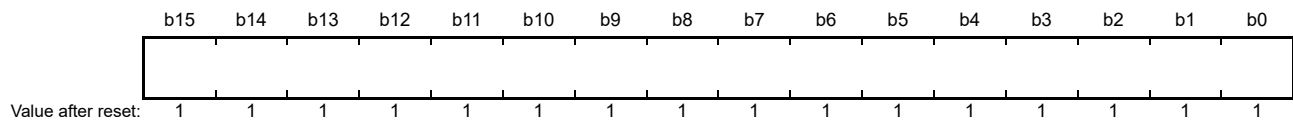
In addition, the AGTOn output toggles even during a period other than the specified count period. When the AGT register is set to 0001h or more, a request signal is generated each time AGT underflows.

AGT is a 16-bit register. The write value is written to the reload register and the read value is read from the counter.

The states of the reload register and the counter change according to the TSTART bit in the AGTCR register and the TCMEA/TCMEB bit in the AGTCMSR register. For details, see [section 23.3.1, Reload Register and Counter Rewrite Operation](#). The AGT register can be set with a 16-bit memory manipulation instruction.

23.2.2 AGT Compare Match A Register (AGTCMA)

Address(es): [AGT0.AGTCMA 4008 4002h](#), [AGT1.AGTCMA 4008 4102h](#)



| Bit | Description | Setting range | R/W |
|-----------|------------------------------------------|----------------|-----|
| b15 to b0 | 16-bit compare match A data is stored.*1 | 0000h to FFFFh | R/W |

Note 1. Set the AGTCMA register to FFFFh when compare match A is not to be used.

The AGTCMA register is a read/write register to set a value for compare match with the AGT counter. The states of the reload register and the compare register A change according to the TSTART bit in the AGTCR register. For details, see [section 23.3.2, Reload Register and Compare Register A/B Rewrite Operation](#). The AGTCMA register can be set by a 16-bit memory manipulation instruction.

23.2.3 AGT Compare Match B Register (AGTCMB)

Address(es): AGT0.AGTCMB 4008 4004h, AGT1.AGTCMB 4008 4104h



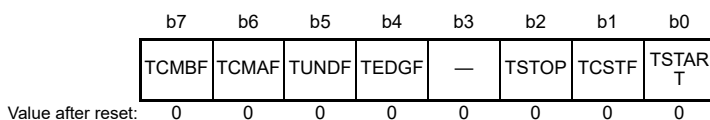
| Bit | Description | Setting range | R/W |
|-----------|-----------------------------------------|----------------|-----|
| b15 to b0 | 16-bit compare match B data is stored*1 | 0000h to FFFFh | R/W |

Note 1. Set the AGTCMB register to FFFFh when compare match B is not used.

The AGTCMB register is a read/write register to set a value for compare match with the AGT counter. The states of the reload register and the compare register B change according to the TSTART bit in the AGTCR register. For details, see [section 23.3.2, Reload Register and Compare Register A/B Rewrite Operation](#). The AGTCMB register can be set by a 16-bit memory manipulation instruction.

23.2.4 AGT Control Register (AGTCR)

Address(es): AGT0.AGTCR 4008 4008h, AGT1.AGTCR 4008 4108h



| Bit | Symbol | Bit name | Description | R/W |
|-----|--------|---------------------------|------------------------------------------------------------|---------|
| b0 | TSTART | AGT Count Start*2 | 0: Count stops 1: Count starts. | R/W |
| b1 | TCSTF | AGT Count Status Flag*2 | 0: Count stops 1: Count in progress. | R |
| b2 | TSTOP | AGT Count Forced Stop*1 | 0: Writing is invalid 1: The count is forcibly stopped. | W |
| b3 | — | Reserved | The read value is 0. The write value should be 0. | R/W |
| b4 | TEDGF | Active Edge Judgment Flag | 0: No active edge received 1: Active edge received. | R/(W)*3 |
| b5 | TUNDF | Underflow Flag | 0: No underflow 1: Underflow. | R/(W)*3 |
| b6 | TCMAF | Compare Match A Flag | 0: No match 1: Match. | R/(W)*3 |
| b7 | TCMBF | Compare Match B Flag | 0: No match 1: Match. | R/(W)*3 |

Note 1. When 1 (count is forcibly stopped) is written to the TSTOP bit, the TSTART and TCSTF bits are initialized at the same time. The pulse output level is also initialized. The read value is 0.

Note 2. For information on using TSTART and TCSTF bits, see [section 23.4.1, Count Operation Start and Stop Control](#).

Note 3. Only 0 can be written to clear the flag.

TSTART bit (AGT Count Start)

The count operation is started by writing 1 to the TSTART bit and stopped by writing 0. When this bit is set to 1, the TCSTF bit is set to 1 (count in progress) in synchronization with the count source. Also, after 0 is written to the TSTART bit, the TCSTF bit is set to 0 (count stops) in synchronization with the count source. For details, see [section 23.4.1, Count Operation Start and Stop Control](#).

TCSTF flag (AGT Count Status Flag)

[Setting condition]

- When 1 is written to the TSTART bit (the TCSTF flag is set to 1 in synchronization with the count source).

[Clearing conditions]

- When 0 is written to the TSTART bit (the TCSTF flag is set to 0 in synchronization with the count source)
- When 1 is written to the TSTOP bit.

TSTOP bit (AGT Count Forced Stop)

When 1 is written to this bit, the count is forcibly stopped. The read value is 0.

TEDGF flag (Active Edge Judgment Flag)

The TEDGF bit indicates that an active edge was detected.

[Setting condition]

- When the measurement of the active width of the external input (AGTIOn) is complete in pulse width measurement mode
- When the set edge of the external input (AGTIOn) is input in pulse period measurement mode.

[Clearing condition]

- When 0 is written to this flag by software.

TUNDF flag (Underflow Flag)

The TUNDF bit indicates that the counter underflowed.

[Setting condition]

- When the counter underflows.

[Clearing condition]

- When 0 is written to this flag by software.

TCMAF flag (Compare Match A Flag)

The TCMAF bit indicates that compare match A was detected.

[Setting condition]

- When the value in the AGT register matches the value in the AGTCMA register.

[Clearing condition]

- When 0 is written to this flag by software.

TCMBF flag (Compare Match B Flag)

The TCMBF bit indicates that compare match B was detected.

[Setting condition]

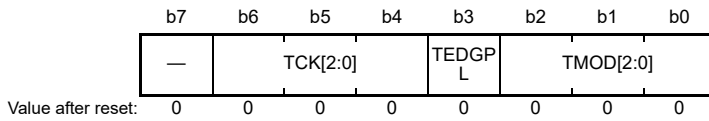
- When the value in the AGT register matches the value in the AGTCMB register.

[Clearing condition]

- When 0 is written to this flag by software.

23.2.5 AGT Mode Register 1 (AGTMR1)

Address(es): [AGT0.AGTMR1 4008 4009h](#), [AGT1.AGTMR1 4008 4109h](#)



| Bit | Symbol | Bit name | Description | R/W |
|----------|---------------------------|------------------------|-------------------------------------------------------------------------------------------------------------------------------------------------------------------------------------------------------------------------------------------------------------------------------------------------------------|-----|
| b2 to b0 | TMOD[2:0] | Operating mode*3 | b2 b0 0 0 0: Timer mode 0 0 1: Pulse output mode 0 1 0: Event counter mode 0 1 1: Pulse width measurement mode 1 0 0: Pulse period measurement mode. Other settings are prohibited. | R/W |
| b3 | TEDGPL | Edge polarity*4 | 0: Single-edge 1: Both-edge. | R/W |
| b6 to b4 | TCK[2:0] | Count source*1, *2, *5 | b6 b4 0 0 0: PCLKB 0 0 1: PCLKB/8 0 1 1: PCLKB/2 1 0 0: Divided clock AGTLCLK specified by CKS[2:0] bits in the AGTR2 register 1 0 1: Underflow event signal from AGT0*6 1 1 0: Divided clock AGTSCLK specified by CKS[2:0] bits in the AGTR2 register. Other settings are prohibited. | R/W |
| b7 | — | Reserved | The read value is 0. The write value should be 0. | R/W |

Note: Write access to the AGTMR1 register initializes the output from the AGTOn, AGTIO_n, AGTOAn and AGTOB_n pins of the AGT (n = 0, 1). For details on the output level at initialization, see the description of [section 23.2.7, AGT I/O Control Register \(AGTIOC\)](#).

Note 1. When event counter mode is selected, the external input (AGTIO_n) is selected as the count source regardless of the setting of TCK[2:0] bits.

Note 2. Do not switch count sources during count operation. Only switch count sources when both the TSTART and TCSTF bits in the AGTCR register are set to 0 (count stops).

Note 3. The operating mode can only be changed when the count is stopped while both the TSTART and TCSTF bits in the AGTCR register are set to 0 (count is stopped). Do not change the operating mode during count operation.

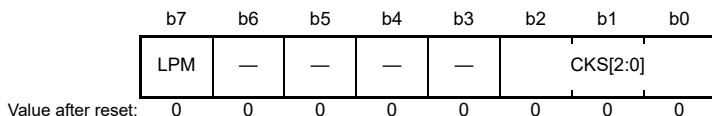
Note 4. The TEDGPL bit is enabled only in event counter mode.

Note 5. To run AGT in Software Standby mode, select AGTLCLK or AGTSCLK.

Note 6. AGT0 cannot use it (setting prohibited). AGT1 uses the AGT0 underflow.

23.2.6 AGT Mode Register 2 (AGTMR2)

Address(es): AGT0.AGTMR2 4008 400Ah, AGT1.AGTMR2 4008 410Ah



| Bit | Symbol | Bit name | Description | R/W |
|----------|----------|----------------------------------------------------------------------------------|-----------------------------------------------------------------------------------------------------------------------------|-----|
| b2 to b0 | CKS[2:0] | AGTLCLK/AGTSCCLK count source clock frequency division ratio *1, *2, *3 | b2 b0 0 0 0: 1/1 0 0 1: 1/2 0 1 0: 1/4 0 1 1: 1/8 1 0 0: 1/16 1 0 1: 1/32 1 1 0: 1/64 1 1 1: 1/128. | R/W |
| b6 to b3 | — | Reserved | These bits are read as 0. The write value should be 0. | R/W |
| b7 | LPM | Low Power Mode | 0: Normal mode 1: Low power mode. | R/W |

- Note 1. Do not rewrite to the CKS[2:0] bit during count operation. Only rewrite to the CKS[2:0] bit when both the TSTART and TCSTF bits in the AGTCR register are set to 0 (count stops).
- Note 2. When the count source is AGTLCLK or AGTSCCLK, CKS[2:0] switch is valid.
- Note 3. Do not switch the TCK[2:0] bits in the AGTMR1 register when the CKS[2:0] bits are not 000b. Switch the TCK[2:0] bits in the AGTMR1 register after the CKS[2:0] bits are set to 000b, and wait for 1 cycle of the count source.

LPM bit (Low Power Mode)

The LPM bit sets the low power operation, which impacts access to certain AGT registers. Set this bit to 1 to operate in low power. When this bit is 1, the access to the following registers is prohibited:

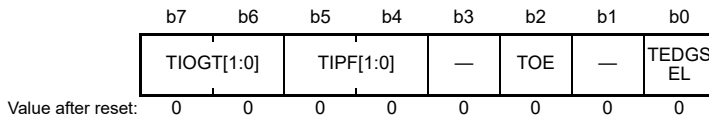
- AGT/AGTCMA/AGTCMB/AGTCR.

After this bit is switched from 1 to 0, the first access to the register is constrained as follows:

- AGT — Read AGT register twice. Only the second reading of data is valid.
- AGT, AGTCMA, AGTCMB, and AGTCR — Allow at least 2 cycles of the count source clock when writing to the register.

23.2.7 AGT I/O Control Register (AGTIOC)

Address(es): AGT0.AGTIOC 4008 400Ch, AGT1.AGTIOC 4008 410Ch



| Bit | Symbol | Bit name | Description | R/W |
|--------|------------|----------------------|-------------------------------------------------------------------------------------------------------------------------------------------------------------------------------------------------------------------------------------------------------------------------------------------------------------------------------------------------------------------------------------------------------------------------------------------------------------------|-----|
| b0 | TEDGSEL | I/O Polarity Switch | Function varies depending on the operating mode. See Table 23.3 and Table 23.4 . The TEDGSEL bit switches the AGTOn output polarity and the AGTIOOn input/output edge and polarity. In pulse output mode, it only controls the polarity of the AGTOn output and AGTIOOn output. AGTOn output and AGTIOOn output are initialized when the AGTMR1 register is written and the TSTOP bit in the AGTCR register is written with 1. | R/W |
| b1 | — | Reserved | This bit is read as 0. The write value should be 0. | R/W |
| b2 | TOE | AGTOn Output Enable | 0: AGTOn output disabled 1: AGTOn output enabled. | R/W |
| b3 | — | Reserved | This bit is read as 0. The write value should be 0. | R/W |
| b5, b4 | TIPF[1:0] | Input Filter *3 | b5 b4 0 0: No filter 0 1: Filter sampled at PCLKB 1 0: Filter sampled at PCLKB/8 1 1: Filter sampled at PCLKB/32. These bits specify the sampling frequency of the filter for the AGTIOOn input. If the input to the AGTIOOn pin is sampled and the value matches three successive times, that value is taken as the input value. | R/W |
| b7, b6 | TIOGT[1:0] | Count Control *1, *2 | b7 b6 0 0: Event is always counted 0 1: Event is counted during polarity period specified for AGTEEn. Other settings are prohibited. | R/W |

Note 1. When the AGTEEn pin is used, the polarity to count an event can be selected with the EEPS bit in the AGTISR register.

Note 2. TIOGT[1:0] bits are enabled only in event counter mode.

Note 3. When event counter mode operation is performed during Software Standby mode, the digital filter function cannot be used.

Table 23.3 AGTIOOn I/O edge and polarity switching

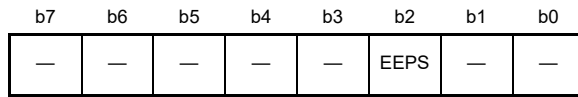
| Operating mode | Function |
|-------------------------------|-----------------------------------------------------------------------------------------------------------------------|
| Timer mode | Not used |
| Pulse output mode | 0: Output is started at high (initialization level: high) 1: Output is started at low (initialization level: low). |
| Event counter mode | 0: Count at rising edge 1: Count at falling edge. |
| Pulse width measurement mode | 0: Low-level width is measured 1: High-level width is measured. |
| Pulse period measurement mode | 0: Measure from one rising edge to the next rising edge 1: Measure from one falling edge to the next falling edge. |

Table 23.4 AGTOn output polarity switching

| Operating mode | Function |
|----------------|-----------------------------------------------------------------------------------------------------------------------|
| All modes | 0: Output is started at low (initialization level: low) 1: Output is started at high (initialization level: high). |

23.2.8 AGT Event Pin Select Register (AGTISR)

Address(es): AGT0.AGTISR 4008 400Dh, AGT1.AGTISR 4008 410Dh

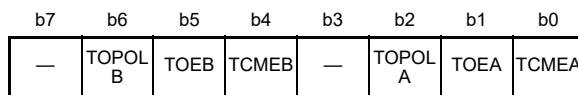


Value after reset: 0 0 0 0 0 0 0 0

| Bit | Symbol | Bit name | Description | R/W |
|----------|--------|---------------------------|------------------------------------------------------------------------------------------------------------|-----|
| b1, b0 | — | Reserved | These bits are read as 0. The write value should be 0. | R/W |
| b2 | EEPS | AGTEEn polarity selection | 0: An event is counted during the low-level period 1: An event is counted during the high-level period. | R/W |
| b7 to b3 | — | Reserved | These bits are read as 0. The write value should be 0. | R/W |

23.2.9 AGT Compare Match Function Select Register (AGTCMSR)

Address(es): AGT0.AGTCMSR 4008 400Eh, AGT1.AGTCMSR 4008 410Eh



Value after reset: 0 0 0 0 0 0 0 0

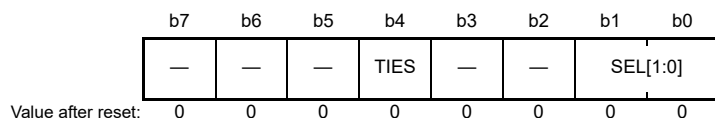
| Bit | Symbol | Bit name | Description | R/W |
|-----|--------|----------------------------------------|------------------------------------------------------------------------------|-----|
| b0 | TCMEA | Compare match A register enable *1, *2 | 0: Compare match A register disabled 1: Compare match A register enabled. | R/W |
| b1 | TOEA | AGTOAn output enable *1, *2 | 0: AGTOAn output disabled 1: AGTOAn output enabled. | R/W |
| b2 | TOPOLA | AGTOAn polarity select *1, *2 | 0: AGTOAn output is started at low 1: AGTOAn output is started at high. | R/W |
| b3 | — | Reserved | This bit is read as 0. The write value should be 0. | R/W |
| b4 | TCMEB | Compare match B register enable *1, *2 | 0: Compare match B register disabled 1: Compare match B register enabled. | R/W |
| b5 | TOEB | AGTOBn output enable *1, *2 | 0: AGTOBn output disabled 1: AGTOBn output enabled. | R/W |
| b6 | TOPOLB | AGTOBn polarity select *1, *2 | 0: AGTOBn output is started at low 1: AGTOBn output is started at high. | R/W |
| b7 | — | Reserved | This bit is read as 0. The write value should be 0. | R/W |

Note 1. Do not rewrite the AGTCMSR register during a count operation. Only rewrite the AGTCMSR register when both the TSTART and TCSTF bits in the AGTCR register are set to 0 (count stops).

Note 2. Do not set 1 when in pulse width measurement mode or pulse period measurement mode.

23.2.10 AGT Pin Select Register (AGTIOSEL)

Address(es): AGT0.AGTIOSEL 4008 400Fh, AGT1.AGTIOSEL 4008 410Fh



| Bit | Symbol | Bit name | Description | R/W |
|----------|----------|------------------------|-------------------------------------------------------------------------------------------------------------------------------------------------------------------------------------------------------------------------------------------------------------------------------------------------|-----|
| b1, b0 | SEL[1:0] | AGTIO pin Select*1 | b1 b0 0 0: Select the AGTIO pin except for the following pins 0 1: Setting prohibited 1 0: Select the P402/AGTIO pin. P402/AGTIO pin is input only. It is not possible to output. 1 1: Select the P403/AGTIO pin. P403/AGTIO pin is input only. It is not possible to output. | R/W |
| b3, b2 | — | Reserved | These bits are read as 0. The write value should be 0. | R/W |
| b4 | TIES | AGTIO pin Input Enable | 0: External event input is disabled during Software Standby mode 1: External event input is enabled during Software Standby mode. | R/W |
| b7 to b5 | — | Reserved | These bits are read as 0. The write value should be 0. | R/W |

Note 1. You must set the Pin Function Select Register. See [section 19, I/O Ports](#).

The AGTIOSEL register sets the AGTIO pin when using the AGTIO pin in Software Standby mode. The AGTIOSEL register can be set with an 8-bit memory manipulation instruction.

SEL[1:0] bits (AGTIO pin Select)

The SEL[1:0] bits select the AGTIO pin function.

TIES bit (AGTIO pin Input Enable)

The TIES bit enables or disables an external event input.

23.3 Operation

23.3.1 Reload Register and Counter Rewrite Operation

Regardless of the operating mode, the timing of the rewrite operation to the reload register and the counter differs depending on the value of the TSTART bit in the AGTCR register and of the TCMEA or TCMEB bit in the AGTCMSR register. When the TSTART bit is 0 (count stops), the count value is directly written to the reload register and the counter. When the TSTART bit is 1 (count starts) and the TCMEA bit and TCMEB bit is 0 (compare match A/B register is invalid), the value is written to the reload register in synchronization with the count source, and then to the counter in synchronization with the next count source. When the TSTART bit is 1 (count starts) and the TCMEA bit or TCMEB bit is 1 (compare match A register or compare match B register is valid), the value is written to the reload register in synchronization with the count source, and then to the counter in synchronization with the underflow of the counter.

[Figure 23.2](#) and [Figure 23.3](#) show the timing of rewrite operation with TSTART bit value and TCMEA or TCMEB bit value.

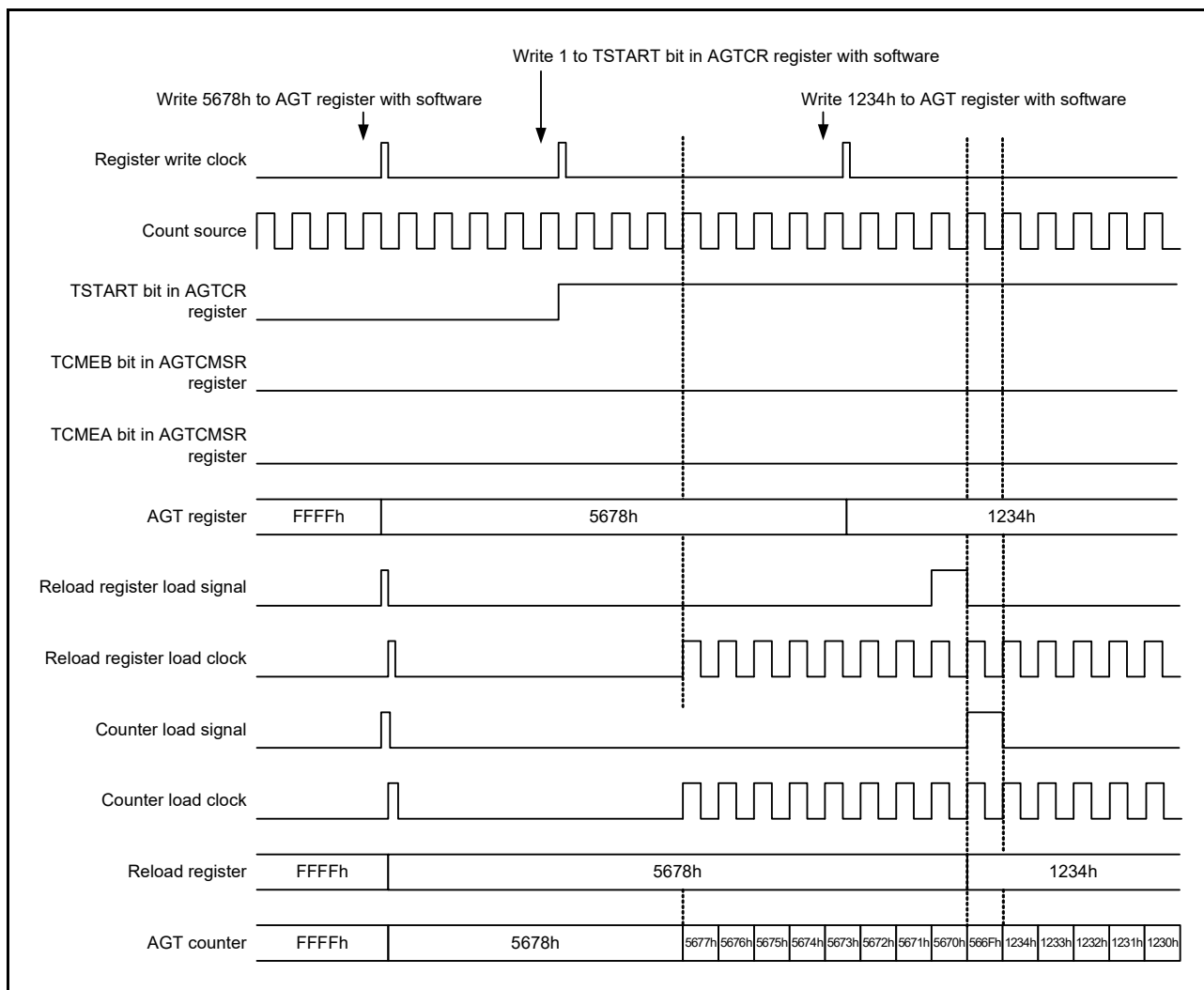


Figure 23.2 Timing of rewrite operation with TSTART bit value and TCMEA or TCMEB bit value when compare match A register or compare match B register is invalid

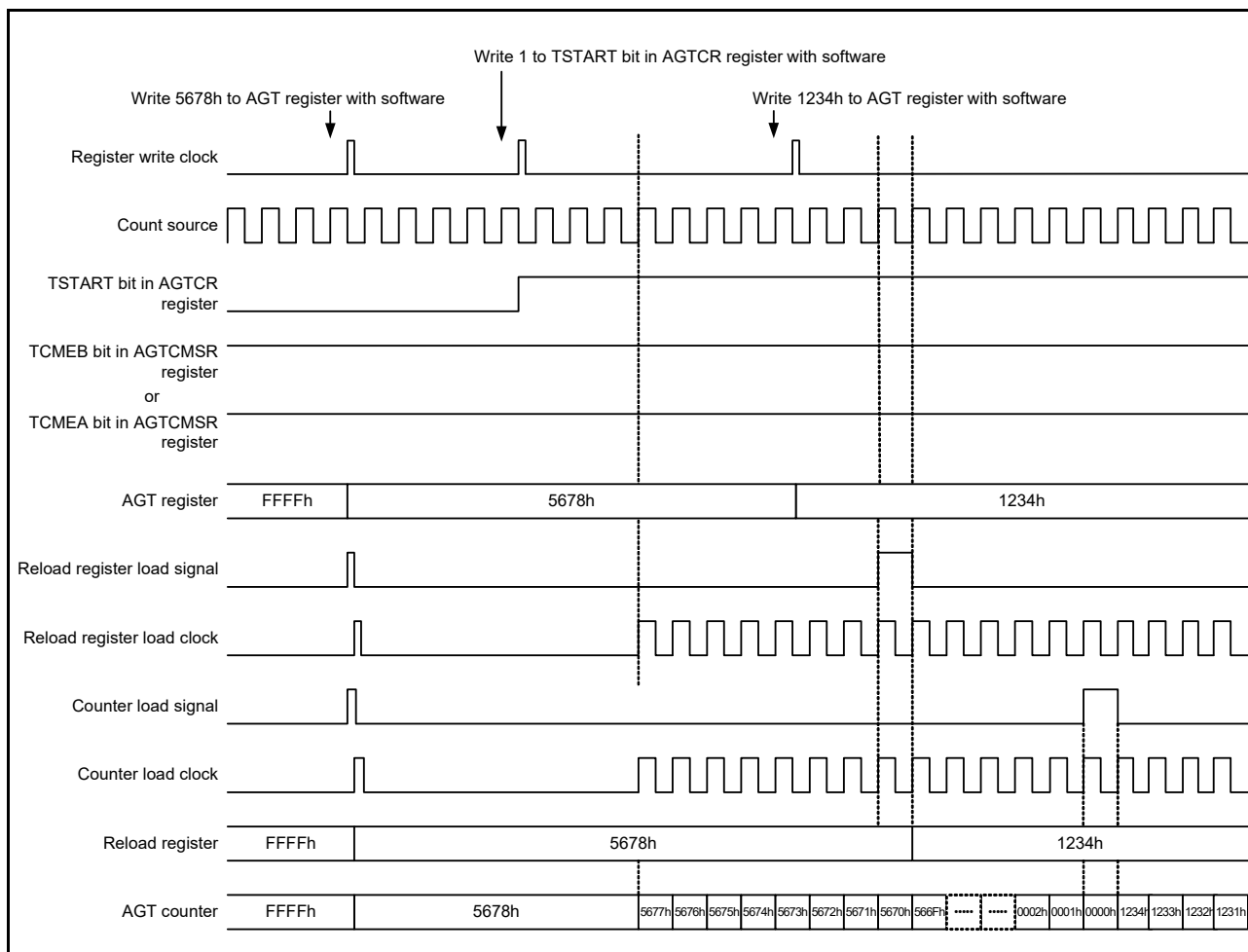


Figure 23.3 Timing of rewrite operation with TSTART bit value and TCMEA or TCMEB bit value when compare match A register or compare match B register is valid

23.3.2 Reload Register and Compare Register A/B Rewrite Operation

Regardless of the operating mode, the timing of the rewrite operation to compare register A/B depends on the value of the TSTART bit in the AGTCR register. When the TSTART bit is 0 (count stops), the count value is directly written to the reload register and compare register A/B. When the TSTART bit is 1 (count starts), the value is written to the reload register in synchronization with the count source, and then to the compare register in synchronization with the underflow of the counter.

Figure 23.4 shows the timing of the rewrite operation with TSTART bit value for compare register A. Compare register B is of the same timing as compare register A.

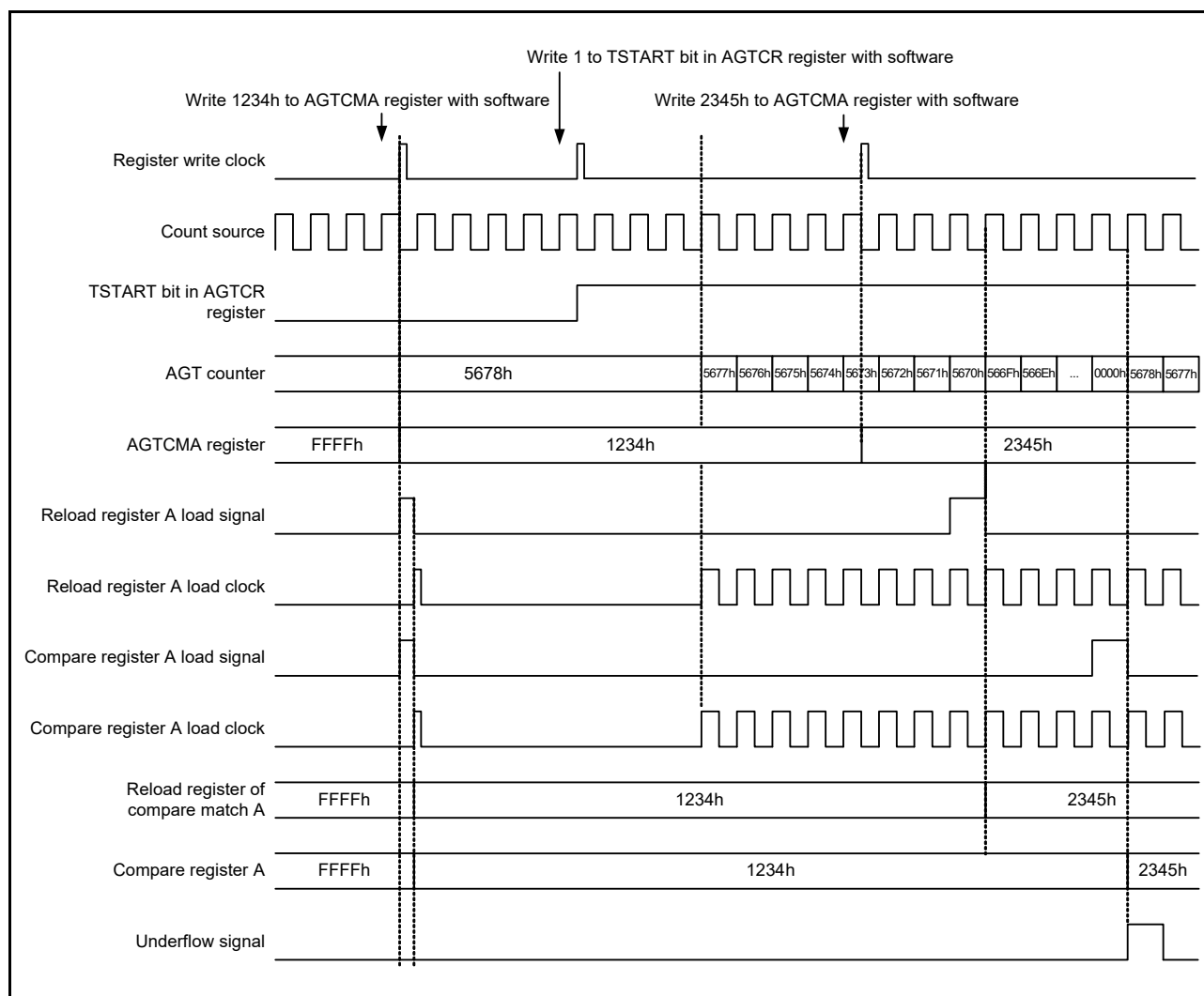


Figure 23.4 Timing of rewrite operation with the TSTART bit value for compare register A

23.3.3 Timer Mode

In this mode, the AGT counter is decremented by the count source selected with the TCK[2:0] bits in the AGTMR1 register. In timer mode, the count value is decremented by 1 on each rising edge of the count source. When the count value reaches 0000h and the next count source is input, an underflow occurs and an interrupt request is generated.

Figure 23.5 shows the operation example in timer mode.

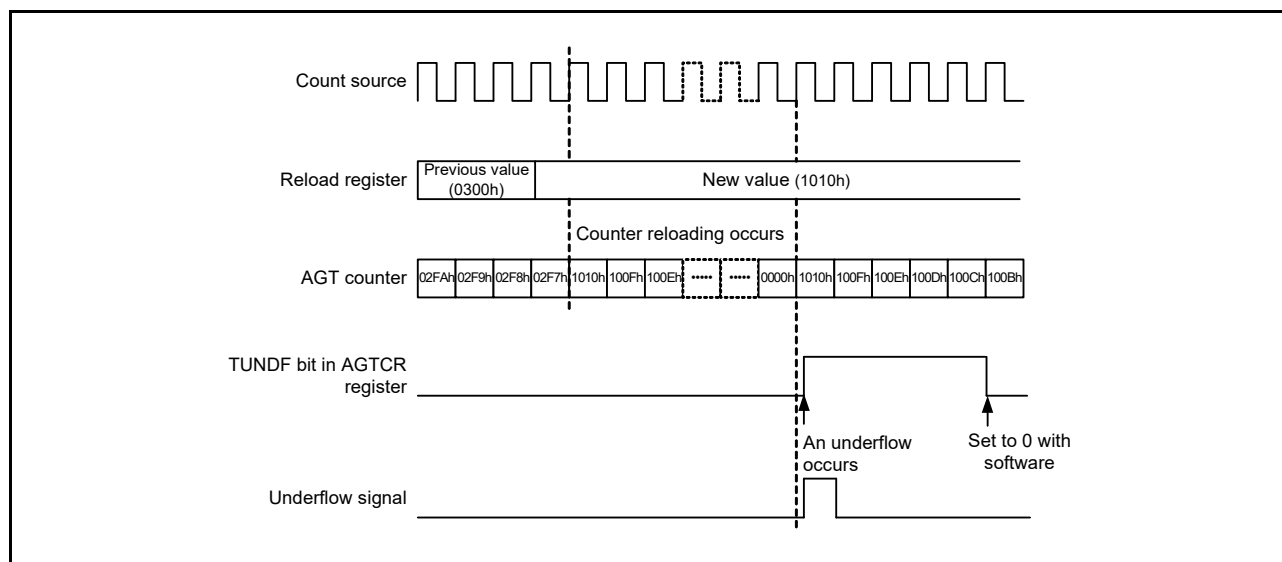


Figure 23.5 Operation example in timer mode

23.3.4 Pulse Output Mode

In pulse output mode, the counter is decremented by the count source selected with the TCK[2:0] bits in the AGTMR1 register, and the output level of the AGTIO_n and AGTO_n pins inverted each time an underflow occurs.

In pulse output mode, the count value is decremented by 1 on each rising edge of the count source. When the count value reaches 0000h and the next count source is input, an underflow occurs and an interrupt request is generated. In addition, a pulse can be output from the AGTIO_n and AGTO_n pins. The output level is inverted each time an underflow occurs. The pulse output from the AGTO_n pin can be stopped with the TOE bit in the AGTIOC register. The output level can be selected with the TEDGSEL bit in the AGTIOC register.

Figure 23.6 shows the operation example in pulse output mode.

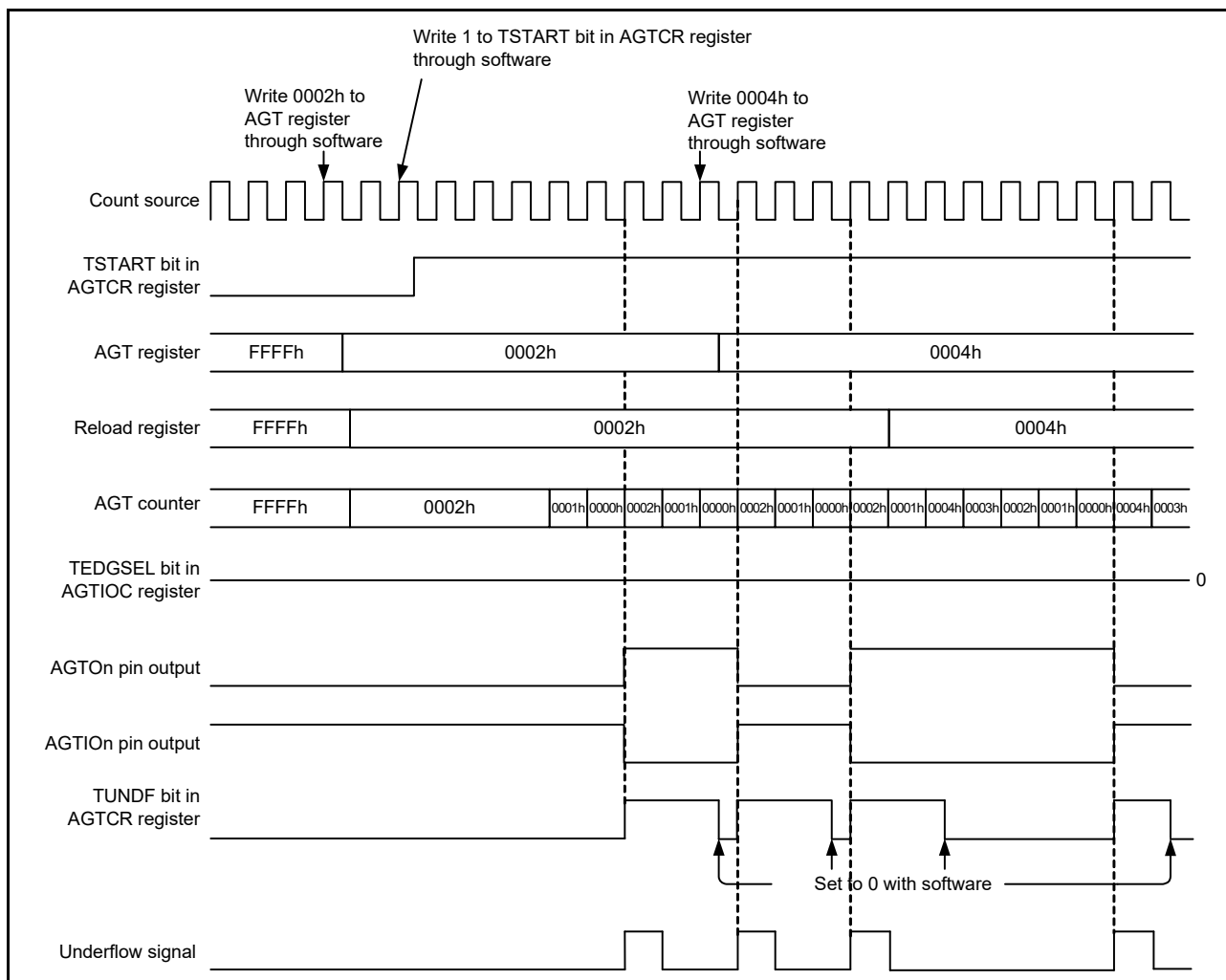


Figure 23.6 Operation example in pulse output mode

23.3.5 Event Counter Mode

In this mode, the counter is decremented by an external event signal input to the AGTIO pin. Various periods for counting events can be set with the TIOGT[1:0] bits in the AGTIOC and AGTISR registers. In addition, the filter function for the AGTIO pin input can be specified with the TIPF[1:0] bits in the AGTIOC register. The output from the AGTIO pin can be toggled even in event counter mode.

Figure 23.7 shows the operation example in event counter mode.

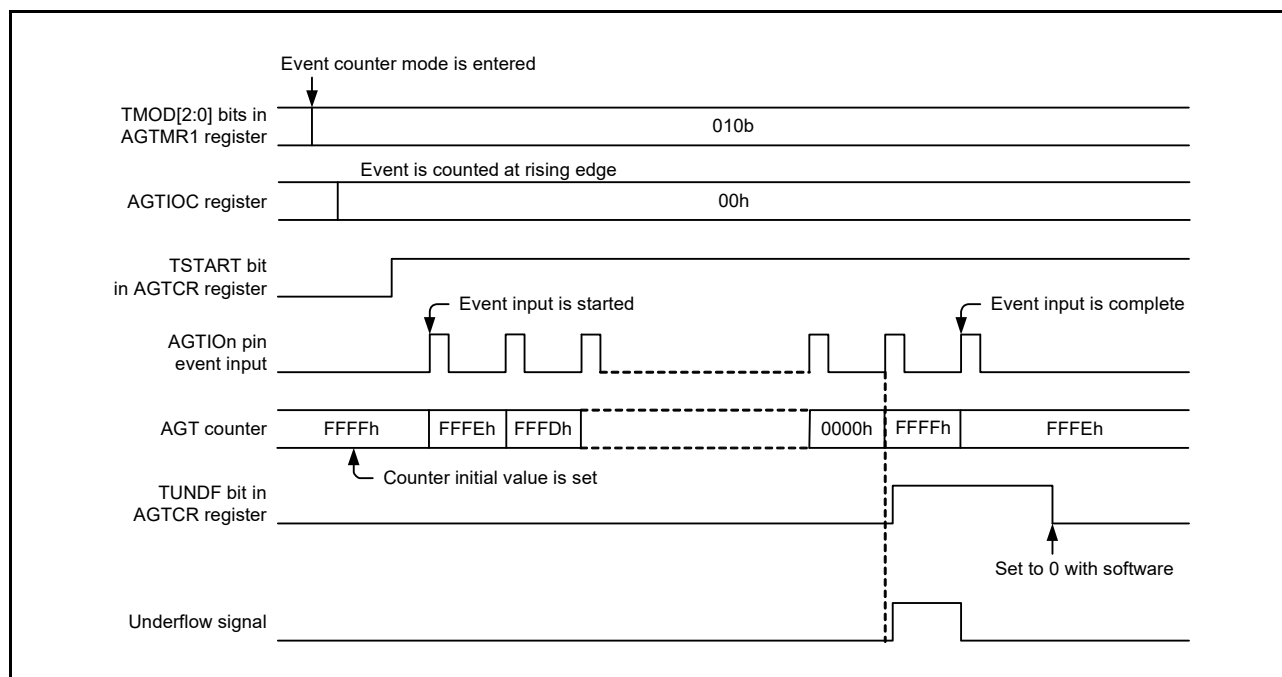


Figure 23.7 Operation example 1 in event counter mode

Figure 23.8 shows an operation example for counting during the specified period in event counter mode (TIOGT[1:0] bits in the AGTIOC register are set to 01b).

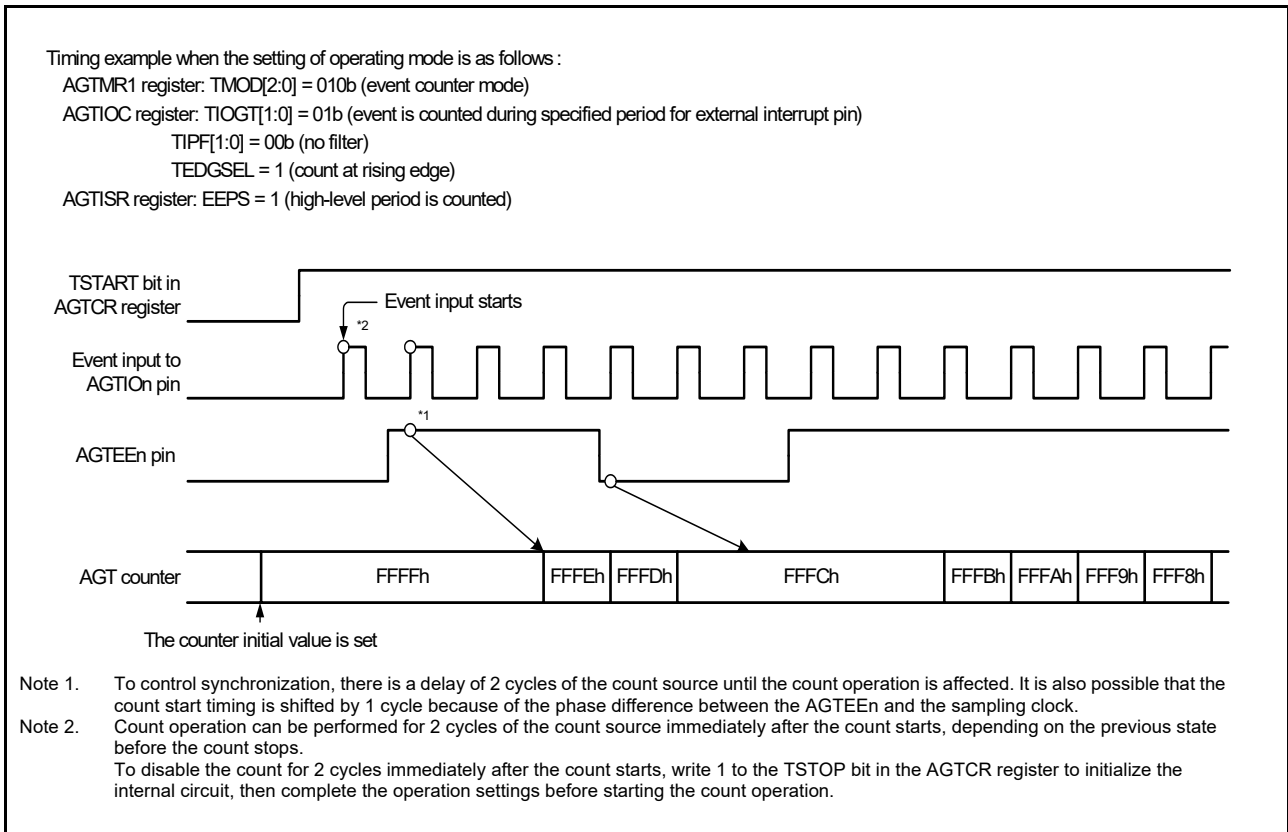


Figure 23.8 Operation example 2 in event counter mode

23.3.6 Pulse Width Measurement Mode

In this mode, the pulse width of an external signal input to the AGTIO pin is measured.

When the level specified by the TEDGSEL bit in the AGTIOC register is input to the AGTIO pin, the counter is decremented by the count source selected by the TCK[2:0] bits in the AGTMR1 register. When the specified level on the AGTIO pin ends, the counter is stopped, the TEDGF bit in the AGTCR register is set to 1 (active edge received), and an interrupt request is generated. The measurement of pulse width data is performed by reading the count value while the counter is stopped. Also, when the counter underflows during measurement, the TUNDF bit in the AGTCR register is set to 1 and an interrupt request is generated.

Figure 23.9 shows the operation example in pulse width measurement mode.

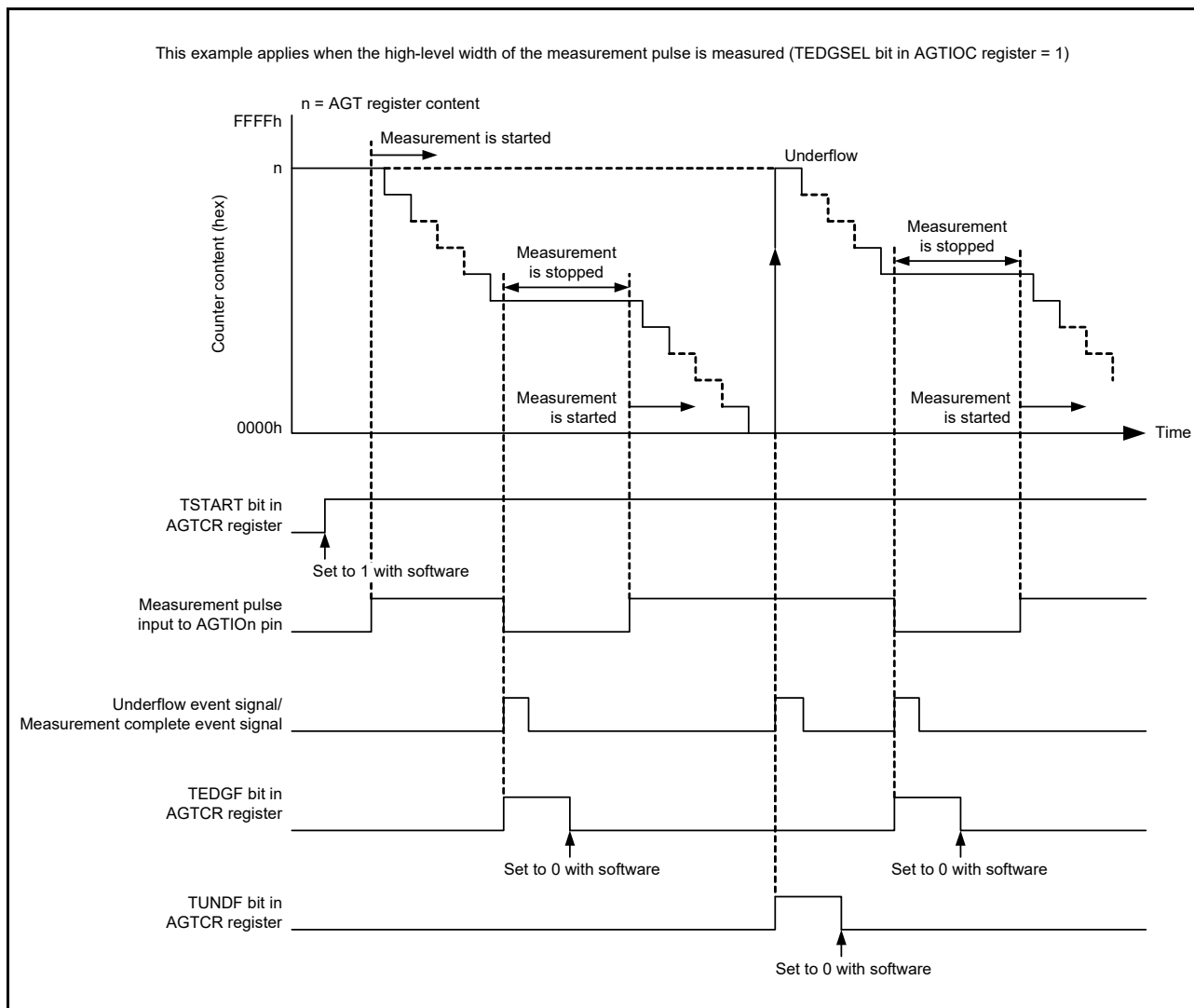


Figure 23.9 Operation example in pulse width measurement mode

23.3.7 Pulse Period Measurement Mode

In this mode, the pulse period of an external signal input to the AGTIO pin is measured. The counter is decremented by the count source selected by the TCK[2:0] bits in the AGTMR1 register. When a pulse with the period specified by the TEDGSEL bit in the AGTIOC register is input to the AGTIO pin, the count value is transferred to the read-out buffer at the rising edge of the count source. The value in the reload register is loaded to the counter at the next rising edge. Simultaneously, the TEDGF bit in the AGTCR register is set to 1 (active edge received) and an interrupt request is generated. The read-out buffer (AGT register) is read at this time and the difference from the reload value (see section 23.4.5, How to Calculate Event Number, Pulse Width, and Pulse Period) is the period data of the input pulse. The period data is retained until the read-out buffer is read. When the counter underflows, the TUNDF bit in the AGTCR register is set to 1 and an interrupt request is generated.

Figure 23.10 shows the operation example in pulse period measurement mode.

Only input pulses with a period longer than twice the period of the count source are measured. Also, the low-level and high-level widths must both be longer than the period of the count source. If a pulse period shorter than these conditions is input, the input might be ignored.

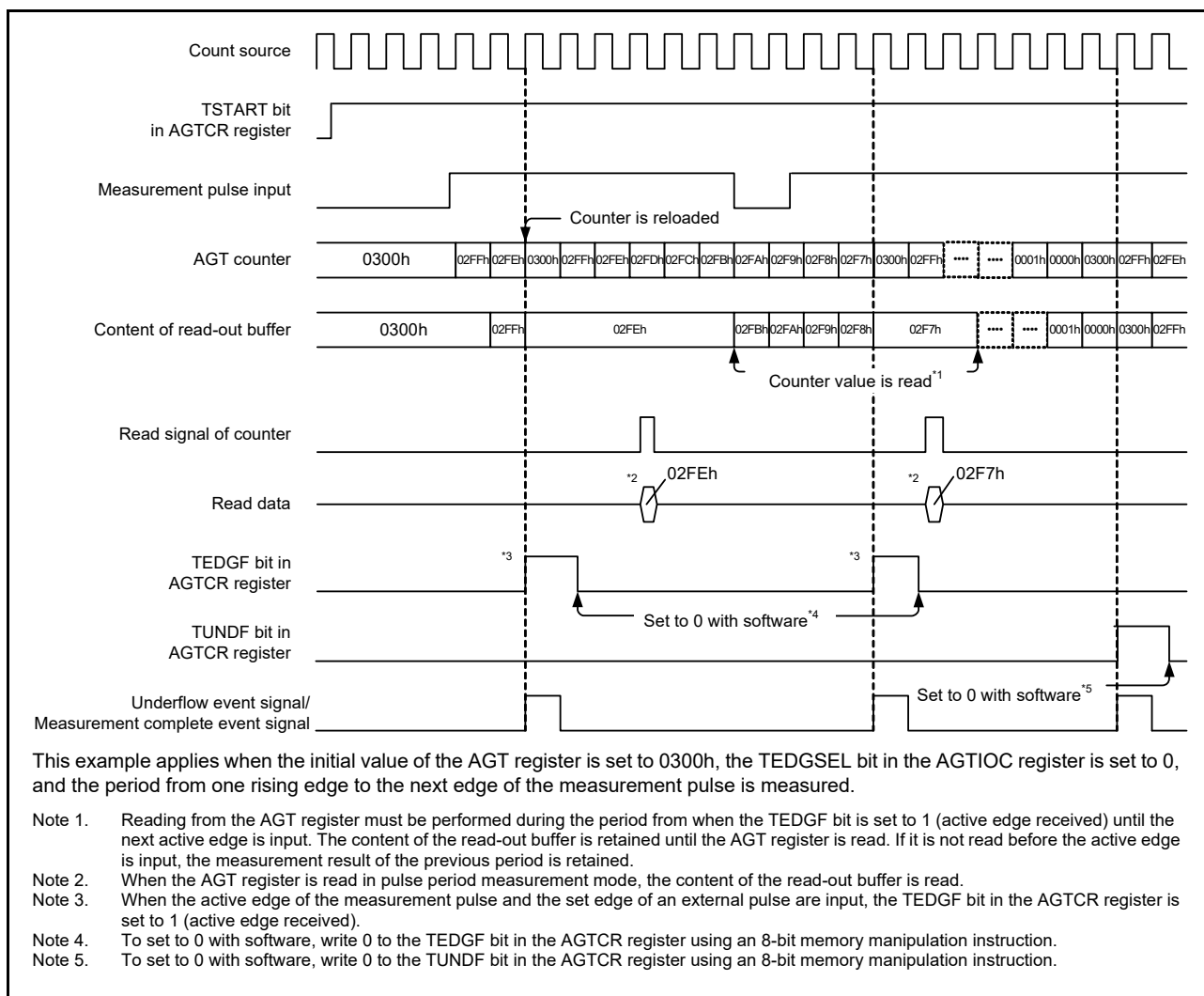


Figure 23.10 Operation example in pulse period measurement mode

23.3.8 Compare Match Function

The compare match function detects matches (compare match) between the content of the AGTCMA or AGTCMB register and the content of the AGT register. This function is enabled when the TCMEA or the TCMEB bit in the AGTCMSR register is 1 (compare match A register or compare match B register is valid). The counter is decremented by the count source selected with the TCK[2:0] bits in the AGTMR1 register, and when the values of AGT and AGTCMA or AGTCMB match, the TCMAF/TCMBF bit in the AGTCR register is set to 1 (match), and an interrupt request is generated.

When the compare match function is enabled, the timing of the rewrite operation to the reload register and the counter differs. See [section 23.3.1, Reload Register and Counter Rewrite Operation](#) for details. In addition, the output level of the AGTOAn and AGTOBn pins is inverted by the match and by the underflow. The output level can be selected with the TOPOLA or the TOPOLB bit in the AGTCMSR register.

Figure 23.11 shows the operation example in compare match mode.

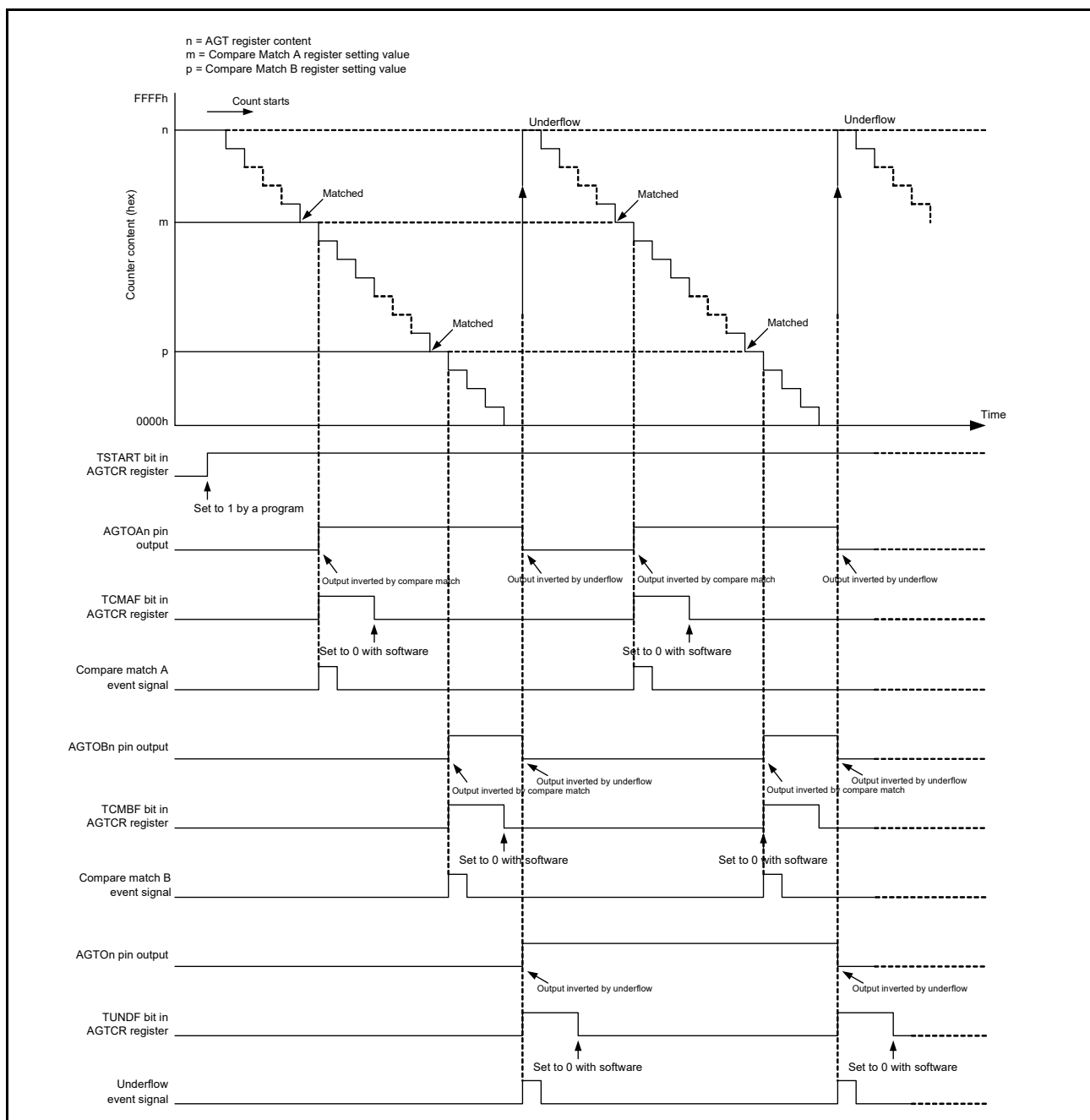


Figure 23.11 Operation example in compare match mode (TOPOLA = 0, TOPOLB = 0)

23.3.9 Output Settings for Each Mode

Table 23.5 to Table 23.8 list the states of pins AGTOn, AGTIOAn, AGTOAn, and AGTOBn in each mode.

Table 23.5 AGTOn pin setting

| Operating mode | AGTIOC register | | AGTOn pin output |
|----------------|-----------------|-------------|------------------|
| | TOE bit | TEDGSEL bit | |
| All modes | 1 | 1 | Inverted output |
| | | 0 | Normal output |
| | 0 | 0 or 1 | Output disabled |

Table 23.6 AGTIOAn pin setting

| Operating mode | AGTIOC register | | AGTIOAn pin I/O |
|-------------------------------|-----------------|--|------------------|
| | TEDGSEL bit | | |
| Timer mode | 0 or 1 | | Input (not used) |
| Pulse output mode | 1 | | Normal output |
| | 0 | | Inverted output |
| Event counter mode | 0 or 1 | | Input |
| Pulse width measurement mode | | | |
| Pulse period measurement mode | | | |

Table 23.7 AGTOAn pin setting

| Operating mode | AGTCMSR register | | AGTOAn pin output |
|-------------------------------|------------------|------------|----------------------------|
| | TOEA bit | TOPOLA bit | |
| Timer mode | 1 | 1 | Inverted output |
| | | 0 | Normal output |
| | 0 | 0 or 1 | Output disabled (not used) |
| Pulse output mode | 1 | 1 | Inverted output |
| | | 0 | Normal output |
| | 0 | 0 or 1 | Output disabled (not used) |
| Event counter mode | 1 | 1 | Inverted output |
| | | 0 | Normal output |
| | 0 | 0 or 1 | Output disabled (not used) |
| Pulse width measurement mode | 0 | 0 | Prohibited |
| Pulse period measurement mode | | | |

Table 23.8 AGTOBn pin setting (1 of 2)

| Operating mode | AGTCMSR register | | AGTOBn pin output |
|-------------------|------------------|------------|----------------------------|
| | TOEB bit | TOPOLB bit | |
| Timer mode | 1 | 1 | Inverted output |
| | | 0 | Normal output |
| | 0 | 0 or 1 | Output disabled (not used) |
| Pulse output mode | 1 | 1 | Inverted output |
| | | 0 | Normal output |
| | 0 | 0 or 1 | Output disabled (not used) |

Table 23.8 AGTOBn pin setting (2 of 2)

| Operating mode | AGTCMSR register | | AGTOBn pin output |
|-------------------------------|------------------|------------|----------------------------|
| | TOEB bit | TOPOLB bit | |
| Event counter mode | 1 | 1 | Inverted output |
| | | 0 | Normal output |
| | 0 | 0 or 1 | Output disabled (not used) |
| Pulse width measurement mode | 0 | 0 | Prohibited |
| Pulse period measurement mode | | | |

23.3.10 Standby Mode

The AGT can operate in Software Standby mode. Set it to Software Standby mode with count operation start (TSTART = 1, TCSTF = 1).

Table 23.9 and Table 23.10 show the settings that can be used in Software Standby mode.

Table 23.9 Usable setting in Software Standby mode (AGT0)

| Operating mode | AGTMR1.TCK[2:0] | Operating clock | Resurgence factor of CPU |
|-------------------------------|-----------------|--------------------|--------------------------|
| Timer mode | 100b or 110b | AGTLCLK or AGTSCLK | – |
| Pulse output mode | 100b or 110b | AGTLCLK or AGTSCLK | – |
| Event counter mode | – (invalid) | AGTIO _n | – |
| Pulse width measurement mode | 100b or 110b | AGTLCLK or AGTSCLK | – |
| Pulse period measurement mode | 100b or 110b | AGTLCLK or AGTSCLK | – |

Table 23.10 Usable setting in Software Standby mode (AGT1)

| Operating mode | AGTMR1.TCK[2:0] | Operating clock | Resurgence factor of CPU |
|-------------------------------|------------------------------------|--------------------------------------|--------------------------------------------------------------------------------------------|
| Timer mode | 100b or 110b or 101b ^{*1} | AGTLCLK or AGTSCLK or AGT0 underflow | <ul style="list-style-type: none"> • Underflow • Compare match A/B |
| Pulse output mode | 100b or 110b or 101b ^{*1} | AGTLCLK or AGTSCLK or AGT0 underflow | <ul style="list-style-type: none"> • Underflow • Compare match A/B |
| Event counter mode | – (invalid) | AGTIO _n | <ul style="list-style-type: none"> • Underflow • Compare match A/B |
| Pulse width measurement mode | 100b or 110b or 101b ^{*1} | AGTLCLK or AGTSCLK or AGT0 underflow | <ul style="list-style-type: none"> • Underflow • Active edge |
| Pulse period measurement mode | 100b or 110b or 101b ^{*1} | AGTLCLK or AGTSCLK or AGT0 underflow | <ul style="list-style-type: none"> • Underflow • Active edge |

Note: Release of Software Standby mode is only for AGT1.

Note 1. Only when AGT0 operates in Table 23.9.

23.3.11 Interrupt Sources

The AGT has three interrupt sources for channels n (n = 0, 1) as listed in [Table 23.11](#).

Table 23.11 AGT interrupt sources

| Name | Interrupt source | DMAC/DTC activation |
|--------------|-----------------------------------------------------------------------------------------------------------------------------------------------------------------------------------------------------------------------------------------------------------------------------------------------------------------------------------|---------------------|
| AGTn_AGTI | <ul style="list-style-type: none"> When the counter underflows When measurement of the active width of the external input (AGTIO_n) is complete in pulse width measurement mode When the set edge of the external input (AGTIO_n) is input in pulse period measurement mode. | Possible |
| AGTn_AGTCMAI | When the values of AGT and AGTCMA match | Possible |
| AGTn_AGTCMBI | When the values of AGT and AGTCMB match | Possible |

Note: Channel number (n = 0, 1).

23.3.12 Event Signal Output to ELC

The AGT uses the Event Link Controller (ELC) to perform a link operation to a specified module using the interrupt request signal as the event signal. The AGT outputs compare match A, compare match B, and underflow/measurement complete signals as event signals. For details, see [section 18, Event Link Controller \(ELC\)](#).

23.4 Usage Notes

23.4.1 Count Operation Start and Stop Control

- When the operating mode (see [Table 23.1](#)) is set to other than the event counter mode, or the count source is set to other than AGT0 underflow (TCK[2:0] = 101b):
 - After 1 (count starts) is written to the TSTART bit in the AGTCR register while the count is stopped, the TCSTF bit in the AGTCR register remains 0 (count stops) for 3 cycles of the count source. Do not access the registers associated with AGT*1 other than the TCSTF bit until this bit is set to 1 (count in progress).
 - After 0 (count stops) is written to the TSTART bit during a count operation, the TCSTF bit remains 1 for 3 cycles of the count source. When the TCSTF bit is set to 0, the count is stopped. Do not access the registers associated with AGT*1 other than the TCSTF bit until this bit is set to 0.
 - Clear the interrupt register before changing the TSTART bit from 0 to 1. See [section 13, Interrupt Controller Unit \(ICU\)](#) for details.

Note 1. Registers associated with AGT— AGT, AGTCMA, AGTCMB, AGTCR, AGTMR1, AGTMR2, AGTIOC, AGTISR and AGTCMSR.

- When the operating mode (see [Table 23.1](#)) is set to event counter mode or the count source is set to AGT0 underflow (TCK[2:0] = 101b):
 - After 1 (count starts) is written to the TSTART bit in the AGTCR register while the count is stopped, the TCSTF bit in the AGTCR register remains 0 (count stops) for 2 PCLKB cycles. Do not access the registers associated with AGT*1 other than the TCSTF bit until this bit is set to 1 (count in progress).
 - After 0 (count stops) is written to the TSTART bit during a count operation, the TCSTF bit remains 1 for 2 PCLKB cycles. When the TCSTF bit is set to 0, the count is stopped. Do not access the registers associated with AGT*1 other than the TCSTF bit until this bit is set to 0.
 - Clear the interrupt register before changing the TSTART bit from 0 to 1. See [section 13, Interrupt Controller Unit \(ICU\)](#) for details.

Note 1. Registers associated with AGT— AGT, AGTCMA, AGTCMB, AGTCR, AGTMR1, AGTMR2, AGTIOC, AGTISR and AGTCMSR.

23.4.2 Access to Counter Register

When the TSTART and TCSTF bits in the AGTCR register are both 1 (count starts), allow at least 3 cycles of the count source clock between writes when writing to the AGT register successively.

23.4.3 When Changing Mode

The registers associated with AGT operating mode (AGTMR1, AGTMR2, AGTIOC, AGTISR, AGTCMSR, and AGTIOCR) can only be changed when the count is stopped with both the TSTART and TCSTF bits set to 0 (count stops). Do not change these registers during count operation.

When the registers associated with AGT operating mode are changed, the values of TEDGF, TUNDF, TCMAF, and TCMBF bits are undefined. Before starting the count, write 0 to the following bits:

- TEDGF (no active edge received)
- TUNDF (no underflow)
- TCMAF (no match)
- TCMBF (no match).

23.4.4 Digital Filter

When using the digital filter, do not start the timer operation for 5 cycles of the digital filter clock after setting TIPF[1:0] bits and when the TEDGSEL bit in the AGTIOC register changes.

23.4.5 How to Calculate Event Number, Pulse Width, and Pulse Period

- In event counter mode, event number is expressed mathematically as follows:
Event number = initial value of counter [AGT register] - counter value of active event end
- In pulse width measurement mode, pulse width is expressed mathematically as follows:
Pulse width = counter value of stopping measurement - counter value of next stopping measurement
- In pulse period measurement mode, input pulse period is expressed mathematically as follows:
Period of input pulse = (initial value of counter [AGT register] - reading value of the read-out buffer) + 1

23.4.6 When Count is Forcibly Stopped by TSTOP Bit

After the counter is forcibly stopped by the TSTOP bit in the AGTCR register, do not access the following I/O registers for 1 cycle of the count source:

- AGT
- AGTCMA
- AGTCMB
- AGTCR
- AGTMR1
- AGTMR2.

23.4.7 When Selecting AGT0 Underflow as the Count Source

Operate the AGT according to the procedures described in this section when selecting the underflow signal of AGT as the count source.

(1) Procedure for starting operation

1. Set AGT0 and AGT1.
2. Start the count operation of AGT1.
3. Start the count operation of AGT0.

(2) Procedure for stopping operation

1. Stop the count operation of AGT0.
2. Stop the count operation of AGT1.
3. Stop the count source clock of AGT1 (write 000b to AGT1.AGTMR1.TCK[2:0] bits).

23.4.8 Reset of I/O Register

The I/O register of the AGT is not initialized by different types of resets. For details, see [section 5, Resets](#).

23.4.9 When Selecting PCLKB, PCLKB/8, or PCLKB/2 as the Count Source

When a reset is generated, the operation of the AGT cannot be guaranteed. Set the registers associated with AGT again.

23.4.10 When Selecting AGTLCLK or AGTSCLK as the Count Source

The MSTPD2 bit in the MSTPCRD register must be set to 1 except when accessing the AGT1 registers. The MSTPD3 bit in the MSTPCRD register must be set to 1 except when accessing the AGT0 registers. When a reset occurs while MSTPD2 or MSTPD3 bit is 0, the operation of AGT1 or AGT0 cannot be guaranteed. Set the registers associated with AGT again.

23.4.11 When Switching Source Clock

When switching a clock source by changing SCKCR.CKSEL[2:0], the clock output from the selector stops for 4 cycles of the switched clock. Therefore, when using the AGTIO_n, AGTEEn, or both input as external event input, the clock source should not be switched. If switching the clock source while using the external event input, extend the input pulse width by 4 clock cycles of the switched source clock cycles.

24. Realtime Clock (RTC)

24.1 Overview

The RTC has two counting modes, calendar count mode and binary count mode, that are used by switching register settings. For calendar count mode, the RTC has a 100 year calendar from 2000 to 2099 and automatically adjusts dates for leap years. For binary count mode, the RTC counts seconds and retains the information as a serial value. Binary count mode can be used for calendars other than the Gregorian (Western) calendar.

The sub-clock oscillator or LOCO can be selected as the count source of the time counters. The RTC uses a 128-Hz clock acquired by dividing the count source by a prescaler. Year, month, date, day-of-week, a.m./p.m. (in 12-hour mode), hour, minute, second, or 32-bit binary is counted by 1/128 second.

Note: Regardless of the use of VBATT function, set the VBTCR1.BPWSWSTP bit to 1 before accessing the RTC registers after cold start. For details, see [Figure 11.2, Setting flow of the VBTCR1.BPWSWSTP bit](#), in [section 11, Battery Backup Function](#).

[Table 24.1](#) lists the RTC specifications, [Figure 24.1](#) shows the block diagram, and [Table 24.2](#) lists the I/O pins.

Table 24.1 RTC specifications

| Parameter | Description |
|------------------------------|-----------------------------------------------------------------------------------------------------------------------------------------------------------------------------------------------------------------------------------------------------------------------------------------------------------------------------------------------------------------------------------------------------------------------------------------------------------------------------------------------------------------------------------------------------------------------------------------------------------------------------------------------------------------------------------------------------------------------------------------------------------------------------------------------------------------------------------------------------------------------------------------------------------------------------------------------------------------------------------------------------------------------------------------------------------------------------------------------------------------------------------------------------------------------------------------------------------------------------------------------------------------------|
| Count mode | Calendar count mode/binary count mode |
| Count source*1 | Sub-clock oscillator (XCIN) or LOCO |
| Clock and calendar functions | <ul style="list-style-type: none"> Calendar count mode <ul style="list-style-type: none"> Year, month, date, day of week, hour, minute, second are counted, BCD display 12 hours/24 hours mode switching function 30 seconds adjustment function (a number less than 30 is rounded down to 00 seconds, and 30 seconds or more are rounded up to 1 minute) Automatic adjustment function for leap years Binary count mode <ul style="list-style-type: none"> Count seconds in 32 bits, binary display Common to both modes <ul style="list-style-type: none"> Start/stop function The sub-second digit is displayed in binary units (1 Hz, 2 Hz, 4 Hz, 8 Hz, 16 Hz, 32 Hz, or 64 Hz) Clock error correction function Clock (1 Hz/64 Hz) output. |
| Interrupts | <ul style="list-style-type: none"> Alarm interrupt (RTC_ALM) <ul style="list-style-type: none"> As an alarm interrupt condition, selectable for comparison with the following: <ul style="list-style-type: none"> Calendar count mode: Year, month, date, day-of-week, hour, minute, or second can be selected Binary count mode: Each bit of the 32-bit binary counter Periodic interrupt (RTC_PRD) <ul style="list-style-type: none"> 2 seconds, 1 second, 1/2 second, 1/4 second, 1/8 second, 1/16 second, 1/32 second, 1/64 second, 1/128 second, or 1/256 second can be selected as an interrupt period Carry interrupt (RTC_CUP) <ul style="list-style-type: none"> An interrupt is generated at either of the following conditions: <ul style="list-style-type: none"> - When a carry from the 64-Hz counter to the second counter is generated - When the 64-Hz counter is changed and the R64CNT register is read at the same time Return from Software Standby mode can be performed by an alarm interrupt or periodic interrupt. |
| Time capture function | <ul style="list-style-type: none"> Times can be captured when the edge of the time capture event input pin is detected. For every event input, month, date, hour, minute, and second are captured or the 32-bit binary counter value is captured. |
| Event link function | Periodic event output (RTC_PRD) |

Note 1. The frequency of the peripheral module clock (PCLKB) must be \geq the frequency of the count source clock.

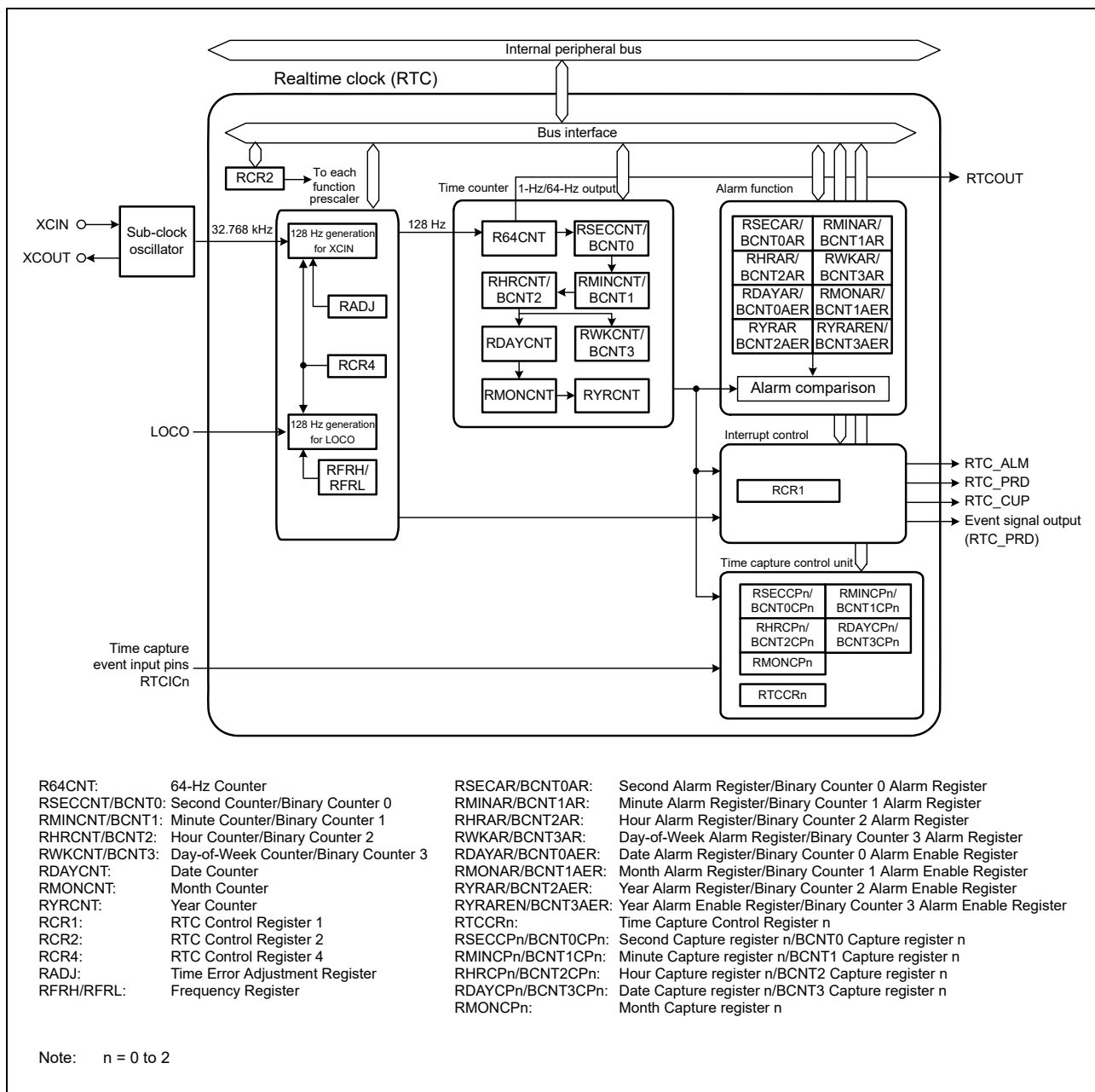


Figure 24.1 RTC block diagram

Table 24.2 RTC I/O pins

| Pin name | I/O | Function |
|----------|--------|--------------------------------------------------|
| XCIN | Input | Connect a 32.768-kHz crystal to these pins |
| XCOU | Output | |
| RTCOUT | Output | This pin is used to output a 1-Hz/64-Hz waveform |
| RTCIC0 | Input | Time capture event input pins |
| RTCIC1 | Input | |
| RTCIC2 | Input | |

24.2 Register Descriptions

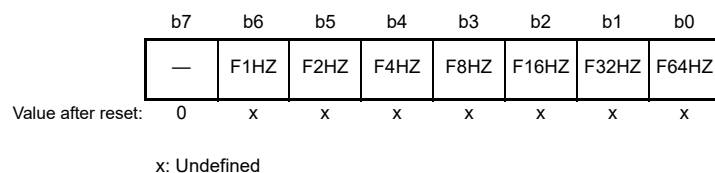
Write or read from the RTC registers as described in [section 24.6.5, Notes on Writing to and Reading from Registers](#).

If the value in an RTC register after a reset is given as x (undefined bits) in the list, it is not initialized by a reset. When RTC enters the reset state or a low power state during counting operations, for example while the RCR2.START bit is 1, the year, month, day of the week, date, hours, minutes, seconds, and 64-Hz counters continue to operate.

Note: A reset generated while writing to a register might destroy the register value. In addition, do not allow the MCU to enter Software Standby mode immediately after setting any of these registers. For details, see [section 24.6.4, Transitions to Low Power Modes after Setting Registers](#).

24.2.1 64-Hz Counter (R64CNT)

Address(es): [RTC.R64CNT 4004 4000h](#)



| Bit | Symbol | Bit name | Description | R/W |
|-----|-----------------------|----------|--------------------------------------------------------------------|-----|
| b0 | F64HZ | 64 Hz | Indicates the state between 1 Hz and 64 Hz of the sub-second digit | R |
| b1 | F32HZ | 32 Hz | | R |
| b2 | F16HZ | 16 Hz | | R |
| b3 | F8HZ | 8 Hz | | R |
| b4 | F4HZ | 4 Hz | | R |
| b5 | F2HZ | 2 Hz | | R |
| b6 | F1HZ | 1 Hz | | R |
| b7 | — | Reserved | This bit is read as 0 | R |

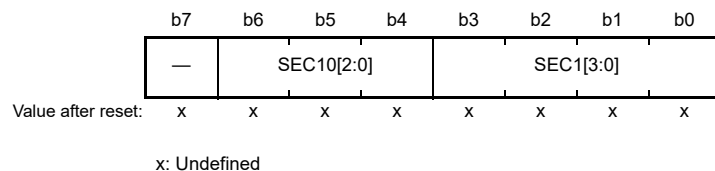
The R64CNT counter is used in both calendar count mode and in binary count mode. The 64-Hz counter (R64CNT) generates the period for a second by counting up periods of the 128-Hz clock. The state in the sub-second range can be confirmed by reading this counter.

This counter is set to 00h by an RTC software reset or an execution of a 30-second adjustment. To read this counter, follow the procedure in [section 24.3.5, Reading 64-Hz Counter and Time](#).

24.2.2 Second Counter (RSECCNT)/Binary Counter 0 (BCNT0)

(1) In calendar count mode:

Address(es): [RTC.RSECCNT 4004 4002h](#)



| Bit | Symbol | Bit name | Description | R/W |
|----------|----------------------------|-----------------|-------------------------------------------------------------------------------------------|-----|
| b3 to b0 | SEC1[3:0] | 1-Second Count | Counts from 0 to 9 every second. When a carry is generated, 1 is added to the tens place. | R/W |
| b6 to b4 | SEC10[2:0] | 10-Second Count | Counts from 0 to 5 for 60-second counting | R/W |

| Bit | Symbol | Bit name | Description | R/W |
|-----|--------|----------|-------------------------------------------------|-----|
| b7 | — | Reserved | Set this bit to 0. It is read as the set value. | R/W |

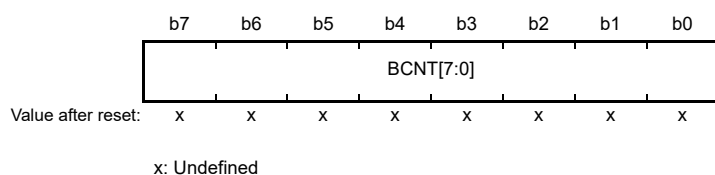
The RSECCNT counter sets and counts the BCD-coded second value. It counts the carries generated once per second in the 64-Hz counter.

The setting range is decimal 00 to 59. The RTC does not operate normally if any other value is set. Before writing to this register, be sure to stop the count operation using the START bit in RCR2.

To read this counter, follow the procedure in [section 24.3.5, Reading 64-Hz Counter and Time](#).

(2) In binary count mode:

Address(es): [RTC.BCNT0 4004 4002h](#)

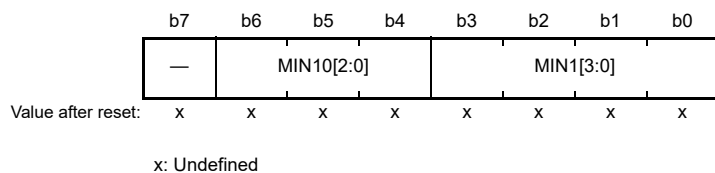


BCNT0 is a read/write 32-bit binary counter b7 to b0 that performs count operation by a carry generated for each second of the 64-Hz counter. Before writing to this register, be sure to stop the count operation using the START bit in RCR2. To read this counter, follow the procedure in [section 24.3.5, Reading 64-Hz Counter and Time](#).

24.2.3 Minute Counter (RMINCNT)/Binary Counter 1 (BCNT1)

(1) In calendar count mode:

Address(es): [RTC.RMINCNT 4004 4004h](#)



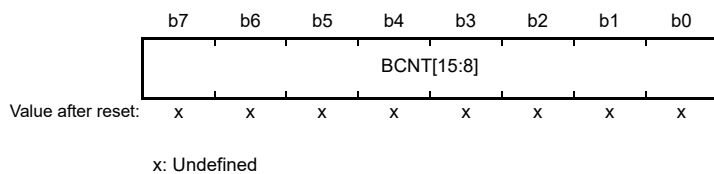
| Bit | Symbol | Bit name | Description | R/W |
|----------|----------------------------|-----------------|-------------------------------------------------------------------------------------------|-----|
| b3 to b0 | MIN1[3:0] | 1-Minute Count | Counts from 0 to 9 every minute. When a carry is generated, 1 is added to the tens place. | R/W |
| b6 to b4 | MIN10[2:0] | 10-Minute Count | Counts from 0 to 5 for 60-minute counting | R/W |
| b7 | — | Reserved | Set this bit to 0. It is read as the set value. | R/W |

The RMINCNT counter sets and counts the BCD-coded minute value. It counts carries generated once per minute in the second counter.

A value from 00 through 59 (in BCD) can be specified. If a value outside of this range is specified, the RTC does not operate correctly. Before writing to this register, be sure to stop the count operation using the START bit in RCR2. To read this counter, follow the procedure in [section 24.3.5, Reading 64-Hz Counter and Time](#).

(2) In binary count mode:

Address(es): [RTC.BCNT1 4004 4004h](#)

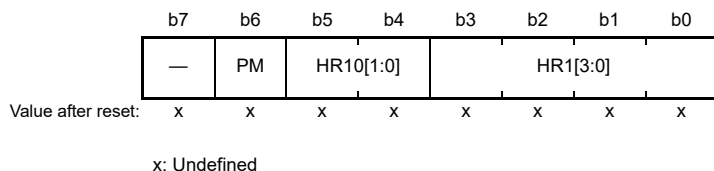


BCNT1 is a read/write 32-bit binary counter b15 to b8 that performs count operation by a carry generated for each second of the 64-Hz counter. Before writing to this register, be sure to stop the count operation using the START bit in RCR2. To read this counter, follow the procedure in [section 24.3.5, Reading 64-Hz Counter and Time](#).

24.2.4 Hour Counter (RHRCNT)/Binary Counter 2 (BCNT2)

(1) In calendar count mode:

Address(es): [RTC.RHRCNT 4004 4006h](#)



| Bit | Symbol | Bit name | Description | R/W |
|----------|---------------------------|---------------|----------------------------------------------------------------------------------------------|-----|
| b3 to b0 | HR1[3:0] | 1-Hour Count | Counts from 0 to 9 once every hour. When a carry is generated, 1 is added to the tens place. | R/W |
| b5, b4 | HR10[1:0] | 10-Hour Count | Counts from 0 to 2 once per carry from the ones place | R/W |
| b6 | PM | PM | Time counter setting: 0: a.m. 1: p.m. | R/W |
| b7 | — | Reserved | Set this bit to 0. It is read as the set value. | R/W |

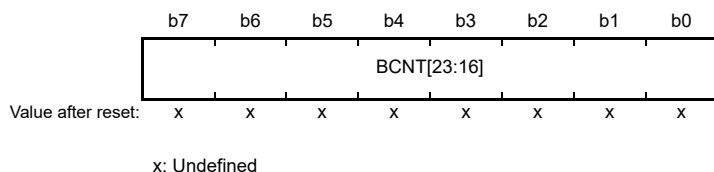
The RHRCNT counter sets and counts the BCD-coded hour value. It counts carries generated once every hour in the minute counter. The specifiable time differs based on the setting in the hours mode bit (RCR2.HR24):

- When the RCR2.HR24 bit is 0 – from 00 to 11 (in BCD)
- When the RCR2.HR24 bit is 1 – from 00 to 23 (in BCD).

If a value outside of this range is specified, the RTC does not operate correctly. Before writing to this register, be sure to stop the count operation using the START bit in RCR2. The PM bit is only enabled when the RCR2.HR24 bit is 0. Otherwise, the setting in the PM bit has no effect. To read this counter, follow the procedure in [section 24.3.5, Reading 64-Hz Counter and Time](#).

(2) In binary count mode:

Address(es): [RTC.BCNT2 4004 4006h](#)



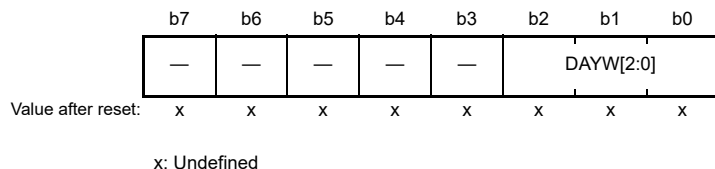
The BCNT2 counter is a read/write 32-bit binary counter b23 to b16 that performs count operation by a carry generated for each second of the 64-Hz counter. Before writing to this register, be sure to stop the count operation using the START

bit in RCR2. To read this counter, follow the procedure in [section 24.3.5, Reading 64-Hz Counter and Time](#).

24.2.5 Day-of-Week Counter (RWKCNT)/Binary Counter 3 (BCNT3)

(1) In calendar count mode:

Address(es): [RTC.RWKCNT 4004 4008h](#)

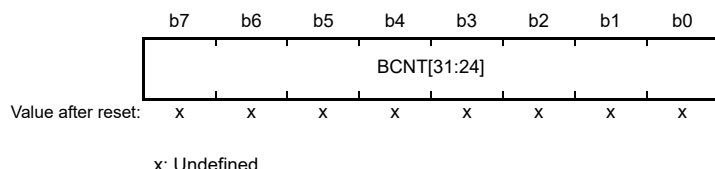


| Bit | Symbol | Bit name | Description | R/W |
|----------|---------------------------|----------------------|--------------------------------------------------------------------------------------------------------------------------------------------------------------------|-----|
| b2 to b0 | DAYW[2:0] | Day-of-Week Counting | b2 b0 0 0 0: Sunday 0 0 1: Monday 0 1 0: Tuesday 0 1 1: Wednesday 1 0 0: Thursday 1 0 1: Friday 1 1 0: Saturday 1 1 1: Setting prohibited. | R/W |
| b7 to b3 | — | Reserved | Set these bits to 0. They are read as the set value. | R/W |

The RWKCNT counter sets and counts in the coded day-of-week value. It counts carries generated once per day in the hour counter. A value from 0 through 6 can be specified. If a value outside of this range is specified, the RTC does not operate correctly. Before writing to this register, be sure to stop the count operation using the START bit in RCR2. To read this counter, follow the procedure in [section 24.3.5, Reading 64-Hz Counter and Time](#).

(2) In binary count mode:

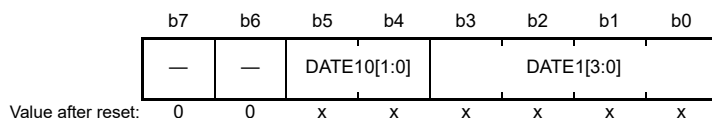
Address(es): [RTC.BCNT3 4004 4008h](#)



BCNT3 is a read/write 32-bit binary counter b31 to b24 that performs count operation by a carry generated for each second of the 64-Hz counter. Before writing to this register, be sure to stop the count operation using the START bit in RCR2. To read this counter, follow the procedure in [section 24.3.5, Reading 64-Hz Counter and Time](#).

24.2.6 Day Counter (RDAYCNT)

Address(es): [RTC.RDAYCNT 4004 400Ah](#)



Value after reset:

x: Undefined

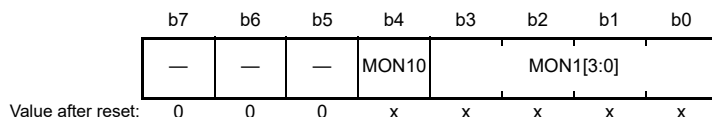
| Bit | Symbol | Bit name | Description | R/W |
|----------|-----------------------------|--------------|-------------------------------------------------------------------------------------------|-----|
| b3 to b0 | DATE1[3:0] | 1-Day Count | Counts from 0 to 9 once per day. When a carry is generated, 1 is added to the tens place. | R/W |
| b5, b4 | DATE10[1:0] | 10-Day Count | Counts from 0 to 3 once per carry from the ones place | R/W |
| b7, b6 | — | Reserved | These bits are read as 0. The write value should be 0. | R/W |

The RDAYCNT counter is used in calendar count mode to set and count the BCD-coded date value. It counts carries generated once per day in the hour counter. The count operation depends on the month and whether the year is a leap year. Leap years are determined according to whether the year counter (RYRCNT) value is divisible by 400, 100, and 4.

A value from 01 through 31 (in BCD) can be specified. If a value outside of this range is specified, the RTC does not operate correctly. When specifying a value, the range of specifiable days depends on the month and whether the year is a leap year. Before writing to this register, be sure to stop the count operation using the START bit in RCR2. To read this counter, follow the procedure in [section 24.3.5, Reading 64-Hz Counter and Time](#).

24.2.7 Month Counter (RMONCNT)

Address(es): [RTC.RMONCNT 4004 400Ch](#)



Value after reset:

x: Undefined

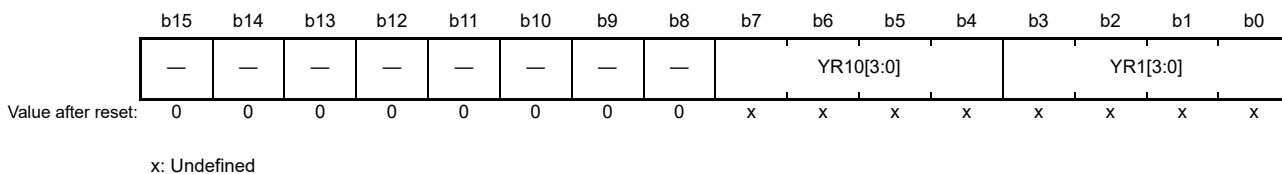
| Bit | Symbol | Bit name | Description | R/W |
|----------|---------------------------|----------------|---------------------------------------------------------------------------------------------|-----|
| b3 to b0 | MON1[3:0] | 1-Month Count | Counts from 0 to 9 once per month. When a carry is generated, 1 is added to the tens place. | R/W |
| b4 | MON10 | 10-Month Count | Counts from 0 to 1 once per carry from the ones place | R/W |
| b7 to b5 | — | Reserved | These bits are read as 0. The write value should be 0. | R/W |

The RMONCNT counter is used in calendar count mode to set and count the BCD-coded month value. It counts carries generated once per month in the date counter.

A value from 01 through 12 (in BCD) can be specified. If a value outside of this range is specified, the RTC does not operate correctly. Before writing to this register, be sure to stop the count operation using the START bit in RCR2. To read this counter, follow the procedure in [section 24.3.5, Reading 64-Hz Counter and Time](#).

24.2.8 Year Counter (RYRCNT)

Address(es): RTC.RYRCNT 4004 400Eh



| Bit | Symbol | Bit name | Description | R/W |
|-----------|-----------|---------------|-----------------------------------------------------------------------------------------------------------------------------------|-----|
| b3 to b0 | YR1[3:0] | 1-Year Count | Counts from 0 to 9 once per year. When a carry is generated, 1 is added to the tens place. | R/W |
| b7 to b4 | YR10[3:0] | 10-Year Count | Counts from 0 to 9 once per carry from ones place. When a carry is generated in the tens place, 1 is added to the hundreds place. | R/W |
| b15 to b8 | — | Reserved | These bits are read as 0. The write value should be 0. | R/W |

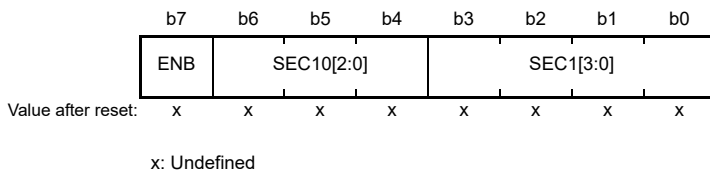
The RYRCNT counter is used in calendar count mode to set and count the BCD-coded year value. It counts carries generated once per year in the month counter.

A value from 00 through 99 (in BCD) can be specified. If a value outside of this range is specified, the RTC does not operate correctly. Before writing to this register, be sure to stop the count operation using the START bit in RCR2. To read this counter, follow the procedure in section 24.3.5, Reading 64-Hz Counter and Time.

24.2.9 Second Alarm Register (RSECAR)/Binary Counter 0 Alarm Register (BCNT0AR)

(1) In calendar count mode:

Address(es): RTC.RSECAR 4004 4010h



| Bit | Symbol | Bit name | Description | R/W |
|----------|------------|------------|-------------------------------------------------------------------------------------------------------------------------------------------|-----|
| b3 to b0 | SEC1[3:0] | 1 Second | Value for the ones place of seconds | R/W |
| b6 to b4 | SEC10[2:0] | 10 Seconds | Value for the tens place of seconds | R/W |
| b7 | ENB | ENB | 0: The register value is not compared with the RSECCNT counter value 1: The register value is compared with the RSECCNT counter value. | R/W |

RSECAR is an alarm register associated with the BCD-coded second counter RSECCNT. When the ENB bit is set to 1, the RSECAR value is compared with the RSECCNT value. From the following alarm registers, only those selected with the ENB bits set to 1 are compared with the associated counters:

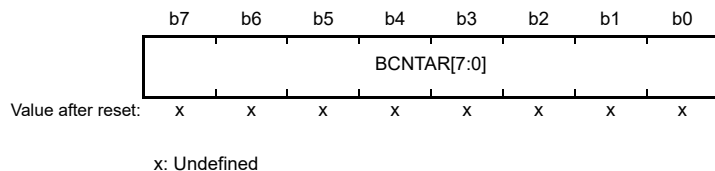
- RSECAR
- RMINAR
- RHRAR
- RWKAR
- RDAYAR
- RMONAR

- RYRAREN.

When all the respective values match, the IR flag associated with the RTC_ALM interrupt is set to 1. The RSECAR values from 00 through 59 (in BCD) can be specified. If a value outside of this range is specified, the RTC does not operate correctly. This register is set to 00h by an RTC software reset.

(2) In binary count mode:

Address(es): [RTC.BCNT0AR 4004 4010h](#)

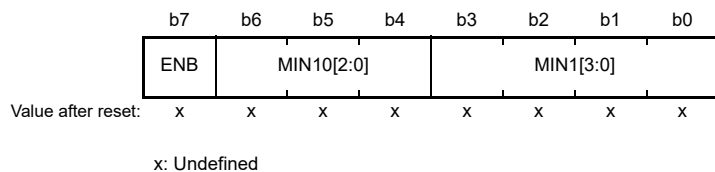


BCNT0AR is a read/write alarm register associated with the 32-bit binary counter b7 to b0. This register is set to 00h by an RTC software reset.

24.2.10 Minute Alarm Register (RMINAR)/Binary Counter 1 Alarm Register (BCNT1AR)

(1) In calendar count mode:

Address(es): [RTC.RMINAR 4004 4012h](#)



| Bit | Symbol | Bit name | Description | R/W |
|----------|----------------------------|------------|-------------------------------------------------------------------------------------------------------------------------------------------|-----|
| b3 to b0 | MIN1[3:0] | 1 Minute | Value for the ones place of minutes | R/W |
| b6 to b4 | MIN10[2:0] | 10 Minutes | Value for the tens place of minutes | R/W |
| b7 | ENB | ENB | 0: The register value is not compared with the RMINCNT counter value 1: The register value is compared with the RMINCNT counter value. | R/W |

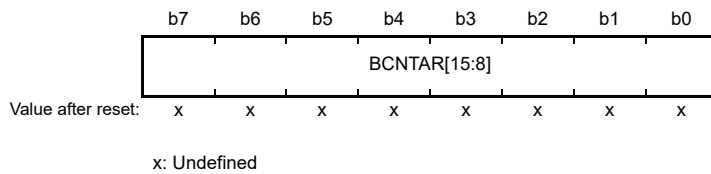
RMINAR is an alarm register associated with the BCD-coded minute counter RMINCNT. When the ENB bit is set to 1, the RMINAR value is compared with the RMINCNT value. From the following alarm registers, only those selected with the ENB bits set to 1 are compared with the associated counters:

- RSECAR
- RMINAR
- RHRAR
- RWKAR
- RDAYAR
- RMONAR
- RYRAREN.

When all the respective values match, the IR flag associated with the RTC_ALM interrupt is set to 1. The RMINAR values from 00 through 59 (in BCD) can be specified. If a value outside of this range is specified, the RTC does not operate correctly. This register is set to 00h by an RTC software reset.

(2) In binary count mode:

Address(es): [RTC.BCNT1AR 4004 4012h](#)

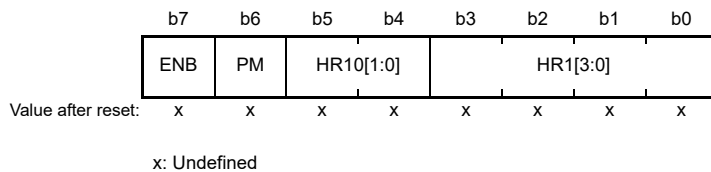


BCNT1AR is a read/write alarm register associated with the 32-bit binary counter from b15 to b8. This register is cleared to 00h by an RTC software reset.

24.2.11 Hour Alarm Register (RHRAR)/Binary Counter 2 Alarm Register (BCNT2AR)

(1) In calendar count mode:

Address(es): [RTC.RHRAR 4004 4014h](#)



| Bit | Symbol | Bit name | Description | R/W |
|----------|---------------------------|----------|-----------------------------------------------------------------------------------------------------------------------------------------|-----|
| b3 to b0 | HR1[3:0] | 1 Hour | Value for the ones place of hours | R/W |
| b5, b4 | HR10[1:0] | 10 Hours | Value for the tens place of hours | R/W |
| b6 | PM | PM | Time alarm setting: 0: AM. 1: PM. | R/W |
| b7 | ENB | ENB | 0: The register value is not compared with the RHRCNT counter value 1: The register value is compared with the RHRCNT counter value. | R/W |

RHRAR is an alarm register associated with the BCD-coded hour counter RHRCNT. When the ENB bit is set to 1, the RHRAR value is compared with the RHRCNT value. From the following alarm registers, only those selected with the ENB bits set to 1 are compared with the associated counters:

- RSECAR
- RMINAR
- RHRAR
- RWKAR
- RDAYAR
- RMONAR
- RYRAREN.

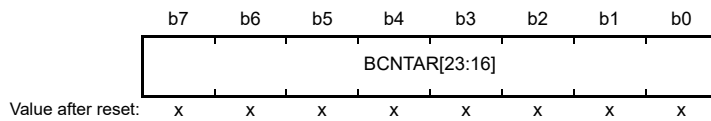
When all the respective values match, the IR flag associated with the RTC_ALM interrupt is set to 1. The specifiable time differs according to the setting in the hours mode bit (RCR2.HR24):

- When the RCR2.HR24 bit is 0 – from 00 to 11 (in BCD)
- When the RCR2.HR24 bit is 1 – from 00 to 23 (in BCD).

If a value outside of this range is specified, the RTC does not operate correctly. When the RCR2.HR24 bit is 0, be sure to set the PM bit. When the RCR2.HR24 bit is 1, the setting in the PM bit has no effect. This register is set to 00h by an RTC software reset.

(2) In binary count mode:

Address(es): [RTC.BCNT2AR 4004 4014h](#)



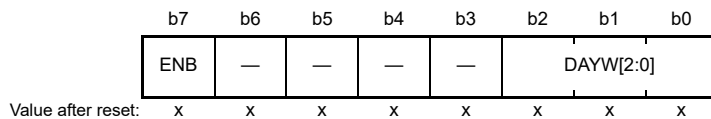
x: Undefined

BCNT2AR is a read/write alarm register associated with the 32-bit binary counter b23 to b16. This register is cleared to 00h by an RTC software reset.

24.2.12 Day-of-Week Alarm Register (RWKAR)/Binary Counter 3 Alarm Register (BCNT3AR)

(1) In calendar count mode:

Address(es): [RTC.RWKAR 4004 4016h](#)



x: Undefined

| Bit | Symbol | Bit name | Description | R/W | | | | | | | | | | | | | | | | | | | | | | | | | | | |
|----------|---------------------------|------------------------|-------------------------------------------------------------------------------------------------------------------------------------------------------------------------------------------------------------------------------------------------------------------------------------------------------------------------------------------------------------------------------------------------------------------------------------------------------------------------------------------------------------|-----|----|--|---|---|-----------|---|---|-----------|---|---|------------|---|---|--------------|---|---|-------------|---|---|-----------|---|---|-------------|---|---|------------------------|-----|
| b2 to b0 | DAYW[2:0] | Day-of-Week Setting | <table border="0"> <tr> <td>b2</td><td>b0</td><td></td> </tr> <tr> <td>0</td><td>0</td><td>0: Sunday</td> </tr> <tr> <td>0</td><td>0</td><td>1: Monday</td> </tr> <tr> <td>0</td><td>1</td><td>0: Tuesday</td> </tr> <tr> <td>0</td><td>1</td><td>1: Wednesday</td> </tr> <tr> <td>1</td><td>0</td><td>0: Thursday</td> </tr> <tr> <td>1</td><td>0</td><td>1: Friday</td> </tr> <tr> <td>1</td><td>1</td><td>0: Saturday</td> </tr> <tr> <td>1</td><td>1</td><td>1: Setting prohibited.</td> </tr> </table> | b2 | b0 | | 0 | 0 | 0: Sunday | 0 | 0 | 1: Monday | 0 | 1 | 0: Tuesday | 0 | 1 | 1: Wednesday | 1 | 0 | 0: Thursday | 1 | 0 | 1: Friday | 1 | 1 | 0: Saturday | 1 | 1 | 1: Setting prohibited. | R/W |
| b2 | b0 | | | | | | | | | | | | | | | | | | | | | | | | | | | | | | |
| 0 | 0 | 0: Sunday | | | | | | | | | | | | | | | | | | | | | | | | | | | | | |
| 0 | 0 | 1: Monday | | | | | | | | | | | | | | | | | | | | | | | | | | | | | |
| 0 | 1 | 0: Tuesday | | | | | | | | | | | | | | | | | | | | | | | | | | | | | |
| 0 | 1 | 1: Wednesday | | | | | | | | | | | | | | | | | | | | | | | | | | | | | |
| 1 | 0 | 0: Thursday | | | | | | | | | | | | | | | | | | | | | | | | | | | | | |
| 1 | 0 | 1: Friday | | | | | | | | | | | | | | | | | | | | | | | | | | | | | |
| 1 | 1 | 0: Saturday | | | | | | | | | | | | | | | | | | | | | | | | | | | | | |
| 1 | 1 | 1: Setting prohibited. | | | | | | | | | | | | | | | | | | | | | | | | | | | | | |
| b6 to b3 | — | Reserved | Set these bits to 0. They are read as the set value. | R/W | | | | | | | | | | | | | | | | | | | | | | | | | | | |
| b7 | ENB | ENB | 0: The register value is not compared with the RWKCNT counter value 1: The register value is compared with the RWKCNT counter value. | R/W | | | | | | | | | | | | | | | | | | | | | | | | | | | |

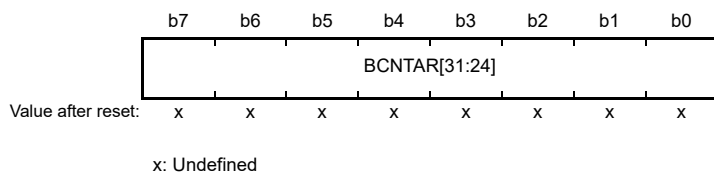
RWKAR is an alarm register associated with the coded day-of-week counter RWKCNT. When the ENB bit is set to 1, the RWKAR value is compared with the RWKCNT value. From the following alarm registers, only those selected with the ENB bits set to 1 are compared with the associated counters:

- RSECAR
- RMINAR
- RHRAR
- RWKAR
- RDAYAR
- RMONAR
- RYRAREN.

When all the respective values match, the IR flag associated with the RTC_ALM interrupt is set to 1. The RWKAR values from 0 through 6 (in BCD) can be specified. If a value outside of this range is specified, the RTC does not operate correctly. This register is set to 00h by an RTC software reset.

(2) In binary count mode:

Address(es): [RTC.BCNT3AR 4004 4016h](#)

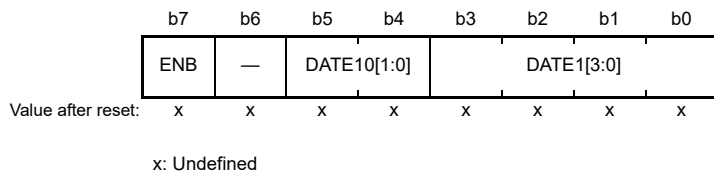


BCNT3AR is a read/write alarm register associated with the 32-bit binary counter b31 to b24. This register is set to 00h by an RTC software reset.

24.2.13 Date Alarm Register (RDAYAR)/Binary Counter 0 Alarm Enable Register (BCNT0AER)

(1) In calendar count mode:

Address(es): [RTC.RDAYAR 4004 4018h](#)



| Bit | Symbol | Bit name | Description | R/W |
|----------|-----------------------------|----------|-------------------------------------------------------------------------------------------------------------------------------------------|-----|
| b3 to b0 | DATE1[3:0] | 1 Day | Value for the ones place of days | R/W |
| b5, b4 | DATE10[1:0] | 10 Days | Value for the tens place of days | R/W |
| b6 | — | Reserved | Set this bit to 0. It is read as the set value. | R/W |
| b7 | ENB | ENB | 0: The register value is not compared with the RDAYCNT counter value 1: The register value is compared with the RDAYCNT counter value. | R/W |

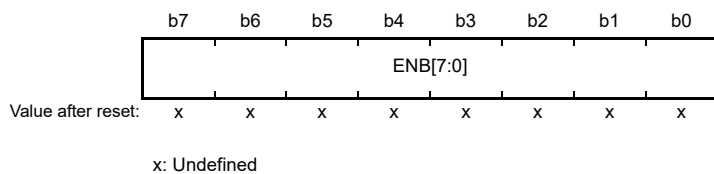
RDAYAR is an alarm register associated with the BCD-coded date counter RDAYCNT. When the ENB bit is set to 1, the RDAYAR value is compared with the RDAYCNT value. From the following alarm registers, only those selected with the ENB bits set to 1 are compared with the associated counters:

- RSECAR
- RMINAR
- RHRAR
- RWKAR
- RDAYAR
- RMONAR
- RYRAREN.

When all the respective values match, the IR flag associated with the RTC_ALM interrupt is set to 1. The RDAYAR values from 01 through 31 (in BCD) can be specified. If a value outside of this range is specified, the RTC does not operate correctly. This register is set to 00h by an RTC software reset.

(2) In binary count mode:

Address(es): [RTC.BCNT0AER 4004 4018h](#)

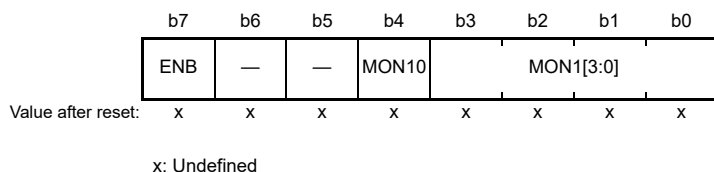


BCNT0AER is a read/write register to set the alarm enable associated with the 32-bit binary counter b7 to b0. The binary counter (BCNT[31:0]) associated with the ENB[31:0] bits that are set to 1 is compared with the binary alarm register (BCNTAR[31:0]), and when all match, the IR flag associated with the RTC_ALM interrupt becomes 1. This register is set to 00h by an RTC software reset.

24.2.14 Month Alarm Register (RMONAR)/Binary Counter 1 Alarm Enable Register (BCNT1AER)

(1) In calendar count mode:

Address(es): [RTC.RMONAR 4004 401Ah](#)



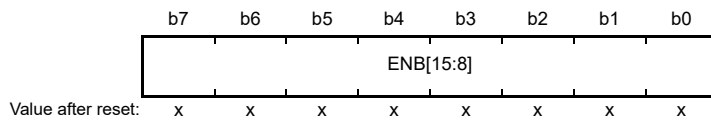
| Bit | Symbol | Bit name | Description | R/W |
|----------|---------------------------|-----------|-------------------------------------------------------------------------------------------------------------------------------------------|-----|
| b3 to b0 | MON1[3:0] | 1 Month | Value for the ones place of months | R/W |
| b4 | MON10 | 10 Months | Value for the tens place of months | R/W |
| b6, b5 | — | Reserved | Set these bits to 0. They are read as the set value. | R/W |
| b7 | ENB | ENB | 0: The register value is not compared with the RMONCNT counter value 1: The register value is compared with the RMONCNT counter value. | R/W |

RMONAR is an alarm register associated with the BCD-coded month counter RMONCNT. When the ENB bit is set to 1, the RMONAR value is compared with the RMONCNT value. From the following alarm registers, only those selected with the ENB bits set to 1 are compared with the associated counters:

- RSECAR
- RMINAR
- RHRAR
- RWKAR
- RDAYAR
- RMONAR
- RYRAREN.

When all the respective values match, the IR flag associated with the RTC_ALM interrupt is set to 1. The RMONAR values from 01 through 12 (in BCD) can be specified. If a value outside of this range is specified, the RTC does not operate correctly. This register is set to 00h by an RTC software reset.

(2) In binary count mode:

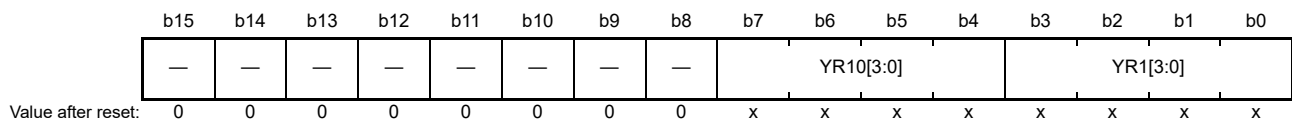
Address(es): [RTC.BCNT1AER 4004 401Ah](#)

x: Undefined

BCNT1AER is a read/write register for setting the alarm enable associated with the 32-bit binary counter b15 to b8. The binary counter (BCNT[31:0]) associated with the ENB[31:0] bits that are set to 1 is compared with the binary alarm register (BCNTAR[31:0]), and when all match, the IR flag associated with the RTC_ALM interrupt becomes 1. This register is set to 00h by an RTC software reset.

24.2.15 Year Alarm Register (RYRAR)/Binary Counter 2 Alarm Enable Register (BCNT2AER)

(1) In calendar count mode:

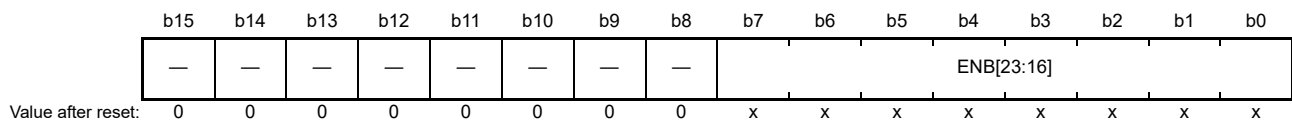
Address(es): [RTC.RYRAR 4004 401Ch](#)

x: Undefined

| Bit | Symbol | Bit name | Description | R/W |
|-----------|---------------------------|----------|--------------------------------------------------------|-----|
| b3 to b0 | YR1[3:0] | 1 Year | Value for the ones place of years | R/W |
| b7 to b4 | YR10[3:0] | 10 Years | Value for the tens place of years | R/W |
| b15 to b8 | — | Reserved | These bits are read as 0. The write value should be 0. | R/W |

RYRAR is an alarm register associated with the BCD-coded year counter RYRCNT. The RYRAR values from 00 through 99 (in BCD) can be specified. If a value outside of this range is specified, the RTC does not operate correctly. This register is set to 0000h by an RTC software reset.

(2) In binary count mode:

Address(es): [RTC.BCNT2AER 4004 401Ch](#)

x: Undefined

BCNT2AER is a read/write register to set the alarm enable associated with the 32-bit binary counter b23 to b16. The binary counter (BCNT[31:0]) associated with the ENB[31:0] bits that are set to 1 is compared with the binary alarm register (BCNTAR[31:0]), and when all match, the IR flag associated with the RTC_ALM interrupt becomes 1. This register is set to 0000h by an RTC software reset.

24.2.16 Year Alarm Enable Register (RYRAREN)/Binary Counter 3 Alarm Enable Register (BCNT3AER)

(1) In calendar count mode:

Address(es): [RTC.RYRAREN 4004 401Eh](#)



Value after reset: x x x x x x x x

x: Undefined

| Bit | Symbol | Bit name | Description | R/W |
|----------|--------|----------|-----------------------------------------------------------------------------------------------------------------------------------------|-----|
| b6 to b0 | — | Reserved | Set these bits to 0. They are read as the set value. | R/W |
| b7 | ENB | ENB | 0: The register value is not compared with the RYRCNT counter value 1: The register value is compared with the RYRCNT counter value. | R/W |

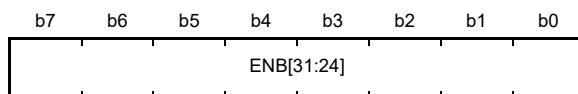
When the ENB bit in RYRAREN is set to 1, the RYRAR value is compared with the RYRCNT value. From the following alarm registers, only those selected with the ENB bits set to 1 are compared with the associated counters:

- RSECAR
- RMINAR
- RHRAR
- RWKAR
- RDAYAR
- RMONAR
- RYRAREN.

When all the respective values match, the IR flag associated with the RTC_ALM interrupt is set to 1. This register is cleared to 00h by an RTC software reset.

(2) In binary count mode:

Address(es): [RTC.BCNT3AER 4004 401Eh](#)



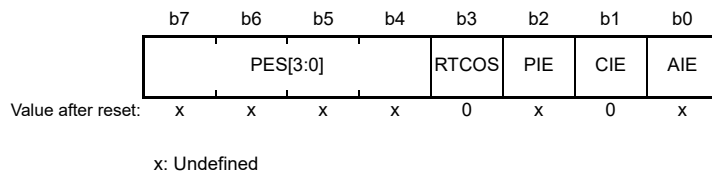
Value after reset: x x x x x x x x

x: Undefined

BCNT3AER is a read/write register to set the alarm enable associated with the 32-bit binary counter b31 to b24. The binary counter (BCNT[31:0]) associated with the ENB[31:0] bits that are set to 1 is compared with the binary alarm register (BCNTAR[31:0]), and when all match, the IR flag associated with the RTC_ALM interrupt becomes 1. This register is set to 00h by an RTC software reset.

24.2.17 RTC Control Register 1 (RCR1)

Address(es): RTC.RCR1 4004 4022h



| Bit | Symbol | Bit name | Description | R/W | | | | | | | | | | | | | | | | | | | | | | | | | | | | | | | | | | | | |
|-------------------------------------------------------|----------|----------------------------------------------------------|------------------------------------------------------------------------------------------------------------------------------------------------------------------------------------------------------------------------------------------------------------------------------------------------------------------------------------------------------------------------------------------------------------------------------------------------------------------------------------------------------------------------------------------------------------------------------------------------------------------------------------------------------------------------------------------------------------------------------------------------------------------------------------------------------------------------------------------------------------------------------------------------------------------------------------------------------------------------------------------------------------------------------------------------------------------------------------------------------------------------------------------------------------------------------------------------------------------------------------------------------------------------------------------------------------|-----|----|--|---------|---|----------------------------------------------------------|---------|---|--------------------------------------------------------|---------|---|-------------------------------------------------------|---------|---|-------------------------------------------------------|---------|---|-------------------------------------------------------|---------|---|------------------------------------------------------|---------|---|------------------------------------------------------|---------|---|------------------------------------------------------|---------|---|----------------------------------------------------|---------|---|------------------------------------------------------|-------------------------------------------------------|--|--|-----|
| b0 | AIE | Alarm Interrupt Enable | 0: An alarm interrupt request disabled 1: An alarm interrupt request enabled. | R/W | | | | | | | | | | | | | | | | | | | | | | | | | | | | | | | | | | | | |
| b1 | CIE | Carry Interrupt Enable | 0: A carry interrupt request disabled 1: A carry interrupt request enabled. | R/W | | | | | | | | | | | | | | | | | | | | | | | | | | | | | | | | | | | | |
| b2 | PIE | Periodic Interrupt Enable | 0: A periodic interrupt request disabled 1: A periodic interrupt request enabled. | R/W | | | | | | | | | | | | | | | | | | | | | | | | | | | | | | | | | | | | |
| b3 | RTCOS | RTCOUT Output Select | 0: RTCOUT outputs 1 Hz 1: RTCOUT outputs 64 Hz. | R/W | | | | | | | | | | | | | | | | | | | | | | | | | | | | | | | | | | | | |
| b7 to b4 | PES[3:0] | Periodic Interrupt Select | <table style="font-size: small; border: none;"> <tr> <td style="text-align: right;">b7</td> <td style="text-align: right;">b4</td> <td></td> </tr> <tr> <td>0 1 1 0</td> <td>0</td> <td>: A periodic interrupt is generated every 1/256 second*1</td> </tr> <tr> <td>0 1 1 1</td> <td>1</td> <td>: A periodic interrupt is generated every 1/128 second</td> </tr> <tr> <td>1 0 0 0</td> <td>0</td> <td>: A periodic interrupt is generated every 1/64 second</td> </tr> <tr> <td>1 0 0 1</td> <td>1</td> <td>: A periodic interrupt is generated every 1/32 second</td> </tr> <tr> <td>1 0 1 0</td> <td>0</td> <td>: A periodic interrupt is generated every 1/16 second</td> </tr> <tr> <td>1 0 1 1</td> <td>1</td> <td>: A periodic interrupt is generated every 1/8 second</td> </tr> <tr> <td>1 1 0 0</td> <td>0</td> <td>: A periodic interrupt is generated every 1/4 second</td> </tr> <tr> <td>1 1 0 1</td> <td>1</td> <td>: A periodic interrupt is generated every 1/2 second</td> </tr> <tr> <td>1 1 1 0</td> <td>0</td> <td>: A periodic interrupt is generated every 1 second</td> </tr> <tr> <td>1 1 1 1</td> <td>1</td> <td>: A periodic interrupt is generated every 2 seconds.</td> </tr> <tr> <td colspan="3">Other settings: No periodic interrupts are generated.</td> </tr> </table> | b7 | b4 | | 0 1 1 0 | 0 | : A periodic interrupt is generated every 1/256 second*1 | 0 1 1 1 | 1 | : A periodic interrupt is generated every 1/128 second | 1 0 0 0 | 0 | : A periodic interrupt is generated every 1/64 second | 1 0 0 1 | 1 | : A periodic interrupt is generated every 1/32 second | 1 0 1 0 | 0 | : A periodic interrupt is generated every 1/16 second | 1 0 1 1 | 1 | : A periodic interrupt is generated every 1/8 second | 1 1 0 0 | 0 | : A periodic interrupt is generated every 1/4 second | 1 1 0 1 | 1 | : A periodic interrupt is generated every 1/2 second | 1 1 1 0 | 0 | : A periodic interrupt is generated every 1 second | 1 1 1 1 | 1 | : A periodic interrupt is generated every 2 seconds. | Other settings: No periodic interrupts are generated. | | | R/W |
| b7 | b4 | | | | | | | | | | | | | | | | | | | | | | | | | | | | | | | | | | | | | | | |
| 0 1 1 0 | 0 | : A periodic interrupt is generated every 1/256 second*1 | | | | | | | | | | | | | | | | | | | | | | | | | | | | | | | | | | | | | | |
| 0 1 1 1 | 1 | : A periodic interrupt is generated every 1/128 second | | | | | | | | | | | | | | | | | | | | | | | | | | | | | | | | | | | | | | |
| 1 0 0 0 | 0 | : A periodic interrupt is generated every 1/64 second | | | | | | | | | | | | | | | | | | | | | | | | | | | | | | | | | | | | | | |
| 1 0 0 1 | 1 | : A periodic interrupt is generated every 1/32 second | | | | | | | | | | | | | | | | | | | | | | | | | | | | | | | | | | | | | | |
| 1 0 1 0 | 0 | : A periodic interrupt is generated every 1/16 second | | | | | | | | | | | | | | | | | | | | | | | | | | | | | | | | | | | | | | |
| 1 0 1 1 | 1 | : A periodic interrupt is generated every 1/8 second | | | | | | | | | | | | | | | | | | | | | | | | | | | | | | | | | | | | | | |
| 1 1 0 0 | 0 | : A periodic interrupt is generated every 1/4 second | | | | | | | | | | | | | | | | | | | | | | | | | | | | | | | | | | | | | | |
| 1 1 0 1 | 1 | : A periodic interrupt is generated every 1/2 second | | | | | | | | | | | | | | | | | | | | | | | | | | | | | | | | | | | | | | |
| 1 1 1 0 | 0 | : A periodic interrupt is generated every 1 second | | | | | | | | | | | | | | | | | | | | | | | | | | | | | | | | | | | | | | |
| 1 1 1 1 | 1 | : A periodic interrupt is generated every 2 seconds. | | | | | | | | | | | | | | | | | | | | | | | | | | | | | | | | | | | | | | |
| Other settings: No periodic interrupts are generated. | | | | | | | | | | | | | | | | | | | | | | | | | | | | | | | | | | | | | | | | |

Note 1. When LOCO is selected (RCR4.RCKSEL = 1) while PES[3:0] = 0110b, a periodic interrupt is generated every 1/128 second.

The RCR1 register is used in both calendar count mode and in binary count mode. Bits AIE, PIE, and PES[3:0] are updated synchronously with the count source. When the RCR1 register is modified, check that all the bits are updated before proceeding.

AIE bit (Alarm Interrupt Enable)

The AIE bit enables or disables alarm interrupt requests.

CIE bit (Carry Interrupt Enable)

The CIE bit enables or disables interrupt requests when a carry to the RSECCNT/BCNT0 register occurs, or when a carry to the 64-Hz counter (R64CNT) occurs while reading the 64-Hz counter.

PIE bit (Periodic Interrupt Enable)

The PIE bit enables or disables a periodic interrupt.

RTCOS bit (RTCOUT Output Select)

The RTCOS bit selects the RTCOUT output period. The RTCOS bit must be rewritten while the count operation is stopped (the RCR2.START bit is 0) and the RTCOUT output is disabled (the RCR2.RTCOE bit is 0). When the RTCOUT is output to an external pin, the RCR2.RTCOE bit must be enabled. For details on controlling the I/O ports, see section 19.5.1, Procedure for Specifying the Pin Functions.

PES[3:0] bits (Periodic Interrupt Select)

The PES[3:0] bits specify the period for the periodic interrupt. A periodic interrupt is generated with the period specified by these bits.

24.2.18 RTC Control Register 2 (RCR2)

(1) In calendar count mode:

Address(es): RTC.RCR2 4004 4024h

| | b7 | b6 | b5 | b4 | b3 | b2 | b1 | b0 |
|--------------------|-----------|------|-------|-------|-------|-------|-------|-------|
| | CNTM D | HR24 | AADJP | AADJE | RTCOE | ADJ30 | RESET | START |
| Value after reset: | x | x | x | x | 0 | 0 | 0 | x |

x: Undefined

| Bit | Symbol | Bit name | Description | R/W |
|-----|--------|--------------------------------------|----------------------------------------------------------------------------------------------------------------------------------------------------------------------------------------------------------------------------------------------------------------------------------------------------------------------------------------------------------------------------------------------------------------------------------------------------------------------------------|-----|
| b0 | START | Start | 0: Prescaler and time counter are stopped 1: Prescaler and time counter operate normally. | R/W |
| b1 | RESET | RTC Software Reset | <ul style="list-style-type: none"> In writing: <ul style="list-style-type: none"> 0: Invalid (writing 0 has no effect) 1: The prescaler and the target registers for RTC software reset *1 are initialized. In reading: <ul style="list-style-type: none"> 0: Normal time operation in progress, or an RTC software reset has completed 1: RTC software reset in progress. | R/W |
| b2 | ADJ30 | 30-Second Adjustment | <ul style="list-style-type: none"> In writing: <ul style="list-style-type: none"> 0: Invalid (writing 0 has no effect) 1: 30-second adjustment is executed. In reading: <ul style="list-style-type: none"> 0: Normal time operation in progress, or 30-second adjustment has completed 1: 30-second adjustment in progress. | R/W |
| b3 | RTCOE | RTCOUT Output Enable | 0: RTCOUT output disabled 1: RTCOUT output enabled. | R/W |
| b4 | AADJE | Automatic Adjustment Enable*2 | 0: Automatic adjustment disabled 1: Automatic adjustment enabled. | R/W |
| b5 | AADJP | Automatic Adjustment Period Select*2 | 0: The RADJ.ADJ[5:0] setting value is adjusted from the count value of the prescaler every minute 1: The RADJ.ADJ[5:0] setting value is adjusted from the count value of the prescaler every 10 seconds. | R/W |
| b6 | HR24 | Hours Mode | 0: The RTC operates in 12-hour mode 1: The RTC operates in 24-hour mode. | R/W |
| b7 | CNTMD | Count Mode Select | 0: Calendar count mode 1: Binary count mode. | R/W |

Note 1. R64CNT, RSECAR/BCNT0AR, RMINAR/BCNT1AR, RHRAR/BCNT2AR, RWKAR/BCNT3AR, RDAYAR/BCNT0AER, RMONAR/BCNT1AER, RYRAR/BCNT2AER, RYRAREN/BCNT3AER, RADJ, RTCCRy, RSECCPy/BCNT0CPy, RMINCPy/BCNT1CPy, RHRCPy/BCNT2CPy, RDAYCPy/BCNT3CPy, RMONCPy, RCR2.ADJ30, RCR2.AADJE, RCR2.AADJP.

Note 2. When LOCO is selected, the setting of this bit is disabled.

The RCR2 register is related to hours mode, automatic adjustment function, enabling RTCOUT output, 30-second adjustment, RTC software reset, and controlling count operation.

START bit (Start)

The START bit stops or restarts the prescaler or time counter operation. This bit is updated in synchronization with the next cycle of the count source. When the START bit is modified, check that the bit is updated before proceeding.

RESET bit (RTC Software Reset)

The RESET bit initializes the prescaler and registers to be reset by RTC software.

When 1 is written to the RESET bit, initialization starts in synchronization with the count source. When the initialization is completed, the RESET bit is automatically set to 0. Check that this bit is set to 0 before proceeding.

ADJ30 bit (30-Second Adjustment)

The ADJ30 bit is for 30-second adjustment.

When 1 is written to the ADJ30 bit, the RSECCNT value of 30 seconds or less is rounded down to 00 second and the value of 30 seconds or more is rounded up to 1 minute.

The 30-second adjustment is performed in synchronization with the count source. When 1 is written to this bit, the ADJ30 bit is automatically set to 0 after the 30-second adjustment completes. If 1 is written to the ADJ30 bit, check that the bit is set to 0 before proceeding. When the 30-second adjustment is performed, the prescaler and R64CNT are also reset. The ADJ30 bit is set to 0 by an RTC software reset.

RTCOE bit (RTCOE Output Enable)

The RTCOE bit enables output of a 1-Hz/64-Hz clock signal from the RTCOUT pin.

Use the START bit to stop counting before changing the value of the RTCOE bit. Do not stop counting (write 0 to the START bit) and change the value of the RTCOE bit at the same time.

When RTCOUT is to be output from an external pin, enable the RTCOE bit and set up the port control for the pin.

AADJE bit (Automatic Adjustment Enable*2)

The AADJE bit controls (enables or disables) automatic adjustment.

Set the plus-minus bits (RADJ.PMADJ[1:0]) to 00b (adjustment is not performed) before changing the value of the AADJE bit.

The AADJE bit is set to 0 by an RTC software reset.

AADJP bit (Automatic Adjustment Period Select*2)

The AADJP bit selects the automatic-adjustment period.

Set the plus-minus bits (RADJ.PMADJ[1:0]) to 00b (adjustment is not performed) before changing the value of the AADJP bit.

The AADJP bit is set to 0 by an RTC software reset.

HR24 bit (Hours Mode)

The HR24 bit specifies whether the RTC operates in 12- or 24-hour mode.

Use the START bit to stop counting before changing the value of the HR24 bit. Do not stop counting (write 0 to the START bit) and change the value of the HR24 bit at the same time.

CNTMD bit (Count Mode Select)

The CNTMD bit specifies whether the RTC count mode operates in calendar count mode or in binary count mode.

When setting the count mode, execute an RTC software reset and start again from the initial settings. This bit is updated synchronously with the count source, and its value is fixed before the RTC software reset is complete.

For details on initial settings, see [section 24.3.1, Outline of Initial Settings of Registers after Power On](#).

(2) In binary count mode:

Address(es): [RTC.RCR2 4004 4024h](#)

| | b7 | b6 | b5 | b4 | b3 | b2 | b1 | b0 |
|--------------------|-------|----|-------|-------|-------|----|-------|-------|
| | CNTMD | — | AADJP | AADJE | RTCOE | — | RESET | START |
| Value after reset: | x | x | x | x | 0 | 0 | 0 | x |

x: Undefined

| Bit | Symbol | Bit name | Description | R/W |
|-----|-----------------------|--------------------------------------|---------------------------------------------------------------------------------------------------------------------------------------------------------------------------------------------------------------------------------------------------------------------------------------------------------------------------------------------------------------|-----|
| b0 | START | Start | 0: The 32-bit binary counter, 64-Hz counter, and prescaler are stopped 1: The 32-bit binary counter, 64-Hz counter, and prescaler are in normal operation. | R/W |
| b1 | RESET | RTC Software Reset | <ul style="list-style-type: none"> In writing 0: Invalid (writing 0 has no effect) 1: The prescaler and the target registers for RTC software reset*1 are initialized. In reading 0: Normal time operation in progress, or an RTC software reset has completed 1: RTC software reset in progress. | R/W |
| b2 | — | Reserved | This bit is read as 0. The write value should be 0. | R/W |
| b3 | RTCOE | RTCOE Output Enable | 0: RTCOE output disabled 1: RTCOE output enabled. | R/W |
| b4 | AADJE | Automatic Adjustment Enable*2 | 0: Automatic adjustment disabled 1: Automatic adjustment enabled. | R/W |
| b5 | AADJP | Automatic Adjustment Period Select*2 | 0: Add or subtract the RADJ.ADJ[5:0] bits from the prescaler count value every 32 seconds 1: Add or subtract the RADJ.ADJ[5:0] bits from the prescaler count value every 8 seconds. | R/W |
| b6 | — | Reserved | This bit is undefined. The write value should be 0. | R/W |
| b7 | CNTMD | Count Mode Select | 0: Calendar count mode 1: Binary count mode. | R/W |

Note 1. R64CNT, RSECAR/BCNT0AR, RMINAR/BCNT1AR, RHRAR/BCNT2AR, RWKAR/BCNT3AR, RDAYAR/BCNT0AER, RMONAR/BCNT1AER, RYRAR/BCNT2AER, RYRAREN/BCNT3AER, RADJ, RTCCRY, RSECCPy/BCNT0CPy, RMINCPy/BCNT1CPy, RHRCPy/BCNT2CPy, RDAYCPy/BCNT3CPy, RMONCPy, RCR2.ADJ30, RCR2.AADJE, RCR2.AADJP.

Note 2. When LOCO is selected, the setting of this bit is disabled.

START bit (Start)

The START bit stops or restarts the prescaler or counter (clock) operation. This bit is updated in synchronization with the count source. When the START bit is modified, check that the bit is updated before proceeding.

RESET bit (RTC Software Reset)

The RESET bit initializes the prescaler and registers to be reset by RTC software.

When 1 is written to the RESET bit, initialization starts in synchronization with the count source. When the initialization is complete, the RESET bit is automatically set to 0. When 1 is written to the RESET bit, check that the bit is set to 0 before proceeding.

RTCOE bit (RTCOE Output Enable)

The RTCOE bit enables output of a 1-Hz/64-Hz clock signal from the RTCOE pin.

Use the START bit to stop counting before changing the value of the RTCOE bit. Do not stop counting (write 0 to the START bit) and change the value of the RTCOE bit at the same time. When an RTCOE signal is to be output from an external pin, enable the port control in addition to setting this bit.

AADJE bit (Automatic Adjustment Enable)

The AADJE bit controls (enables or disables) automatic adjustment.

Set the plus-minus bits (RADJ.PMADJ[1:0]) to 00b (adjustment is not performed) before changing the value of the AADJE bit. The AADJE bit is set to 0 by an RTC software reset.

AADJP bit (Automatic Adjustment Period Select)

The AADJP bit selects the automatic-adjustment period.

Correction period can be selected from 32 second units or 8 second units in binary count mode.

Set the plus-minus bits (RADJ.PMADJ[1:0]) to 00b (adjustment is not performed) before changing the value of the AADJP bit. The AADJP bit is set to 0 by an RTC software reset.

CNTMD bit (Count Mode Select)

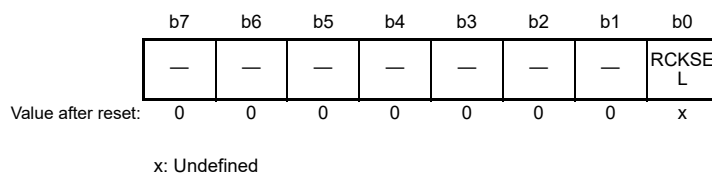
The CNTMD bit specifies whether the RTC count mode operates in calendar count mode or in binary count mode.

When setting the count mode, execute an RTC software reset and start again from the initial settings. This bit is updated synchronously with the count source, and its value is fixed before the RTC software reset is complete.

For details on initial settings, see [section 24.3.1, Outline of Initial Settings of Registers after Power On](#).

24.2.19 RTC Control Register 4 (RCR4)

Address(es): [RTC.RCR4 4004 4028h](#)



| Bit | Symbol | Bit name | Description | R/W |
|----------|--------|---------------------|-------------------------------------------------------------|-----|
| b0 | RCKSEL | Count Source Select | 0: Sub-clock oscillator is selected 1: LOCO is selected. | R/W |
| b7 to b1 | — | Reserved | These bits are read as 0. The write value should be 0. | R/W |

The RCR4 register selects the count source and is used in both calendar count mode and in binary count mode.

When the RCKSEL bit is set to 0, the time is counted with the sub-clock oscillator. When the bit is set to 1, the time is counted with LOCO.

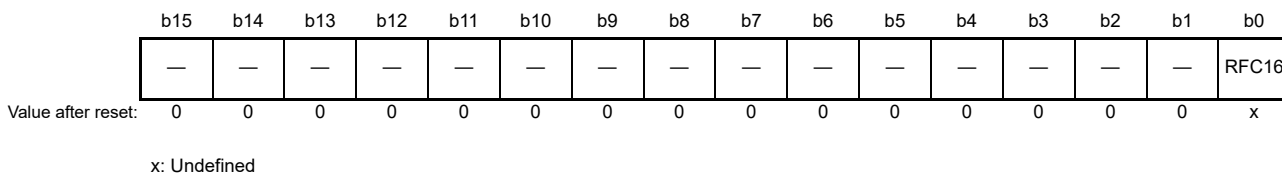
RCKSEL bit (Count Source Select)

The RCKSEL bit selects the count source from the sub-clock oscillator and LOCO.

The count source must be selected only once before specifying the initial settings of the RTC registers at power on.

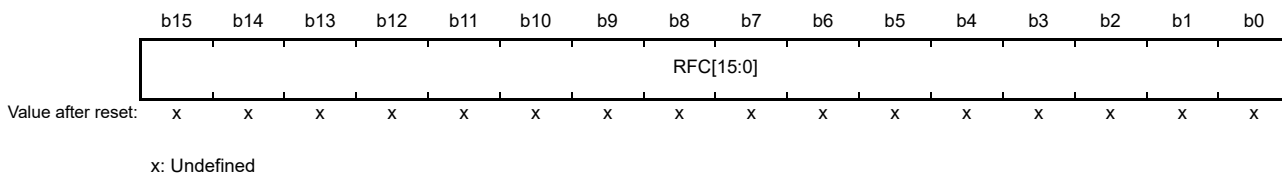
24.2.20 Frequency Register (RFRH/RFRL)

Address(es): RTC.RFRH 4004 402Ah



| Bit | Symbol | Bit name | Description | R/W |
|-----------|--------|----------|----------------------------------------------------------------|-----|
| b0 | RFC16 | Reserved | Write 0 before writing to the RFRL register after a cold start | R/W |
| b15 to b1 | — | Reserved | These bits are read as 0. The write value should be 0. | R/W |

Address(es): RTC.RFRL 4004 402Ch



| Bit | Symbol | Bit name | Description | R/W |
|-----------|-----------|----------------------------|--------------------------------------------------|-----|
| b15 to b0 | RFC[15:0] | Frequency Comparison Value | Write 00FFh to this register when using the LOCO | R/W |

RFRL is a register for controlling the prescaler when LOCO is selected.

The RTC time counter operates on a 128-Hz clock signal as the base clock. Therefore, when LOCO is selected, LOCO is divided by the prescaler to generate a 128-Hz clock signal. Set the frequency comparison value in the RFC[15:0] bits to generate a 128-Hz clock from the LOCO frequency. Before writing to RFC[15:0] after a cold start, write 0000h to the RFRH.

A value from 0007h through 01FFh can be specified as the frequency comparison value. If a value outside of this range is specified, the RTC does not operate correctly. Before writing to this register, be sure to stop the count operation through the setting of the START bit in RCR2. The operating frequency of the peripheral module clock and the LOCO should be such that the peripheral module clock is ≥ to the LOCO.

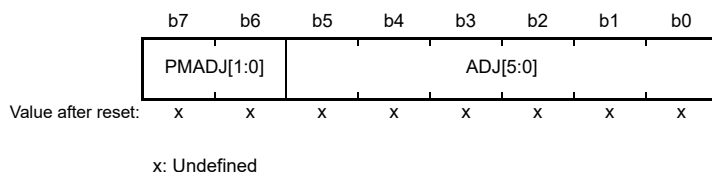
Calculation method of frequency comparison value:

$$RFC[15:0] = (LOCO \text{ clock frequency}) / 128 - 1$$

When the LOCO frequency is 32.768 kHz, the RFRL register must be set to 00FFh.

24.2.21 Time Error Adjustment Register (RADJ)

Address(es): RTC.RADJ 4004 402Eh



| Bit | Symbol | Bit name | Description | R/W |
|----------|------------|------------------|--------------------------------------------------------------------------------------------------------------------------------------------------------------------------------------------------------------|-----|
| b5 to b0 | ADJ[5:0] | Adjustment Value | These bits specify the adjustment value from the prescaler | R/W |
| b7, b6 | PMADJ[1:0] | Plus-Minus | b7 b6 0 0: Adjustment is not performed 0 1: Adjustment is performed by the addition to the prescaler 1 0: Adjustment is performed by the subtraction from the prescaler 1 1: Setting prohibited. | R/W |

Adjustment is performed by the addition to or subtraction from the prescaler. If the automatic adjustment enable (RCR2.AADJE) bit is 0, adjustment is performed when writing to the RADJ. If the RCR2.AADJE bit is 1, adjustment is performed in the interval specified by the automatic adjustment period select (RCR2.AADJP) bit.

The current adjustment by software (disabling automatic adjustment) might be invalid if the following adjustment value is specified within 320 cycles of the count source after the register setting. To perform adjustment consecutively, wait for 320 cycles or more of the count source after the register setting, then specify the next adjustment value.

RADJ is updated in synchronization with the count source. When RADJ is modified, check that all the bits are updated before continuing with additional processing. This register is cleared to 00h by an RTC software reset. The setting of this register is enabled only when the sub-clock oscillator is selected. When LOCO is selected, adjustment is not performed.

ADJ[5:0] bits (Adjustment Value)

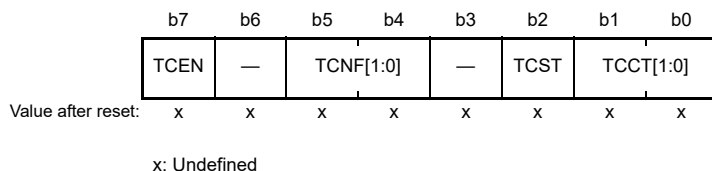
The ADJ[5:0] bits specify the adjustment value (the number of sub-clock cycles) from the prescaler.

PMADJ[1:0] bits (Plus-Minus)

The PMADJ[1:0] bits select whether the clock is set ahead or back depending on the error-adjustment value set in the ADJ[5:0] bits.

24.2.22 Time Capture Control Register y (RTCCRy) (y = 0 to 2)

Address(es): RTC.RTCCR0 4004 4040h, RTC.RTCCR1 4004 4042h, RTC.RTCCR2 4004 4044h



| Bit | Symbol | Bit name | Description | R/W |
|--------|-----------|----------------------|--------------------------------------------------------------------------------------------------------------------------------------|-----|
| b1, b0 | TCCT[1:0] | Time Capture Control | b1 b0 0 0: No event is detected 0 1: Rising edge is detected 1 0: Falling edge is detected 1 1: Both edges are detected. | R/W |
| b2 | TCST | Time Capture Status | 0: No event is detected 1: An event is detected.*1 | R/W |
| b3 | — | Reserved | This bit is read as 0. The write value should be 0. | R/W |

| Bit | Symbol | Bit name | Description | R/W |
|--------|-----------|-------------------------------------|--------------------------------------------------------------------------------------------------------------------------------------------------------------------|-----|
| b5, b4 | TCNF[1:0] | Time Capture Noise Filter Control | b5 b4 0 0: Noise filter is off 0 1: Setting prohibited 1 0: Noise filter is on (count source) 1 1: Noise filter is on (count source by divided by 32). | R/W |
| b6 | — | Reserved | This bit is read as 0. The write value should be 0. | R/W |
| b7 | TCEN | Time Capture Event Input Pin Enable | 0: The RTCICn pin is disabled as the time capture event input 1: The RTCICn pin is enabled as the time capture event input. (n = 0 to 2) | R/W |

Note 1. Indicates that an event is detected. Writing 1 to this bit has no effect. Writing 0 sets this bit to 0.

The RTCCRy register is used both in calendar count mode and in binary count mode. RTCCR0, RTCCR1, and RTCCR2 control the RTCIC0, RTCIC1, and RTCIC2 pins, respectively.

RTCCRy is updated in synchronization with the count source. When RTCCRy is modified, check that all the bits except for the TCST bit are updated before continuing with more processing. This register is cleared to 00h by an RTC software reset. When RTCICn is used as the time capture pin, VBTICTLR.VCHnIEN (n = 0 to 2) must be set to 1. For more information, see [section 11, Battery Backup Function](#).

TCCT[1:0] bits (Time Capture Control)

The TCCT[1:0] bits control the edge detection of the time capture event input pins, RTCIC0, RTCIC1, and RTCIC2. The detection edge is selectable. The TCCT[1:0] bits must be set while the VBTICTLR.VCHnIEN bit is 1.

TCST bit (Time Capture Status)

The TCST bit indicates that an event of the time capture event input pins, RTCIC0, RTCIC1, and RTCIC2, was detected. When the TCST bit is 0, no event is detected. When the TCST bit is 1, this bit indicates that an event was detected on the associated pin and the capture register is valid. When multiple events are detected, the capture time for the first event is retained.

If an event is detected while the count operation is stopped, (the RCR2.START bit is 0), the captured value is not guaranteed. In this case, set the TCST bit to 0 to delete the captured value. Writing 0 sets the TCST bit to 0. Writing any other value except 0 has no effect.

Set the TCST bit while the TCCT[1:0] bits are 00b (no event is detected). The TCST bit is set to 0 in synchronization with the count source. When the TCST bit is set to 0, check that the bit is updated before continuing with additional processing.

TCNF[1:0] bits (Time Capture Noise Filter Control)

The TCNF[1:0] bits control the noise filter of the time capture event input pins (RTCIC0, RTCIC1, and RTCIC2).

When the noise filter is on, the count source divided by 1 or divided by 32 is selectable. In this case, when the input level on the time capture event input pin matches three consecutive times at the set sampling period, the input level is determined.

Set the TCNF[1:0] bits while the TCCT[1:0] bits are 00b (no event is detected). When the noise filter is used, set the TCNF[1:0] bits, wait for 3 cycles of the specified sampling period, then set the TCCT[1:0] bits. Set the TCNF[1:0] bits when the VBTICTLR.VCHnIEN bit is 1.

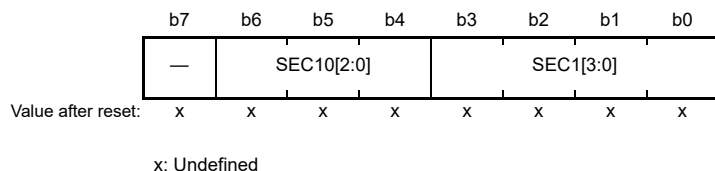
TCEN bits (Time Capture Event Input Pin Enable)

This bit enables or disables the time capture event input pins (RTCIC0, RTCIC1, and RTCIC2). When the functions of the time capture event input pins (RTCIC0, RTCIC1, and RTCIC2) are multiplexed, set VBTICTLR first. If the TCEN bit is set to 0, also set the TCCT[1:0] bits to 00b.

24.2.23 Second Capture Register y (RSECCPy) (y = 0 to 2)/BCNT0 Capture Register y (BCNT0CPy) (y = 0 to 2)

(1) In calendar count mode:

Address(es): [RTC.RSECCP0 4004 4052h](#), [RTC.RSECCP1 4004 4062h](#), [RTC.RSECCP2 4004 4072h](#)



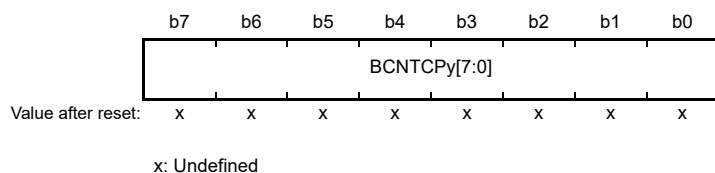
| Bit | Symbol | Bit name | Description | R/W |
|----------|----------------------------|-------------------|---------------------------------------------------|-----|
| b3 to b0 | SEC1[3:0] | 1-Second Capture | Capture value for the ones place of seconds | R |
| b6 to b4 | SEC10[2:0] | 10-Second Capture | Capture value for the tens place of seconds | R |
| b7 | — | Reserved | This bit is read as 0 after an RTC software reset | R |

RSECCPy is a read-only register that captures the RSECCNT value when a time capture event is detected.

The event detection times detected by the RTCIC0, RTCIC1, and RTCIC2 pins are stored in the RSECCP0, RSECCP1, and RSECCP2 registers, respectively. This register is cleared to 00h by an RTC software reset. Before reading from this register, be sure to stop the time capture event detection using the RTCCRY.TCCT[1:0] bits.

(2) In binary count mode:

Address(es): [RTC.BCNT0CP0 4004 4052h](#), [RTC.BCNT0CP1 4004 4062h](#), [RTC.BCNT0CP2 4004 4072h](#)



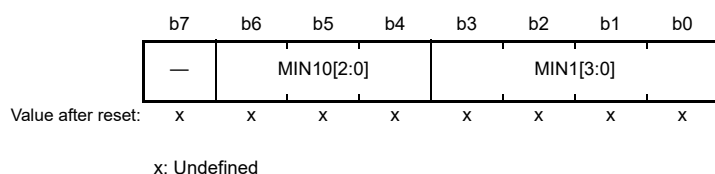
BCNT0CPy is a read-only register that captures the BCNT0 value when a time capture event is detected. The event detection times detected by the RTCIC0, RTCIC1, and RTCIC2 pins are stored in the BCNT0CP0, BCNT0CP1, and BCNT0CP2 registers, respectively.

This register is cleared to 00h by an RTC software reset. Before reading from this register, be sure to stop the time capture event detection using the RTCCRY.TCCT[1:0] bits.

24.2.24 Minute Capture Register y (RMINCPy) (y = 0 to 2)/BCNT1 Capture Register y (BCNT1CPy) (y = 0 to 2)

(1) In calendar count mode:

Address(es): [RTC.RMINCP0 4004 4054h](#), [RTC.RMINCP1 4004 4064h](#), [RTC.RMINCP2 4004 4074h](#)



| Bit | Symbol | Bit name | Description | R/W |
|----------|---------------------------|------------------|---------------------------------------------|-----|
| b3 to b0 | MIN1[3:0] | 1-Minute Capture | Capture value for the ones place of minutes | R |

| Bit | Symbol | Bit name | Description | R/W |
|----------|------------|-------------------|---------------------------------------------------|-----|
| b6 to b4 | MIN10[2:0] | 10-Minute Capture | Capture value for the tens place of minutes | R |
| b7 | — | Reserved | This bit is read as 0 after an RTC software reset | R |

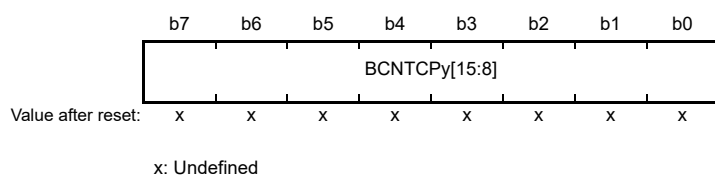
RMINCPy is a read-only register that captures the RMINCNT value when a time capture event is detected.

The event detection times detected by the RTCIC0, RTCIC1, and RTCIC2 pins are stored in the RMINCP0, RMINCP1, and RMINCP2 registers, respectively.

This register is cleared to 00h by an RTC software reset. Before reading from this register, be sure to stop the time capture event detection using the RTCCRy.TCCT[1:0] bits.

(2) In binary count mode:

Address(es): [RTC.BCNT1CP0 4004 4054h](#), [RTC.BCNT1CP1 4004 4064h](#), [RTC.BCNT1CP2 4004 4074h](#)



BCNT1CPy is a read-only register that captures the BCNT1 value when a time capture event is detected.

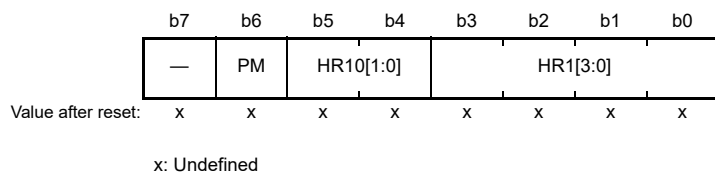
The event detection times detected by the RTCIC0, RTCIC1, and RTCIC2 pins are stored in the BCNT1CP0, BCNT1CP1, and BCNT1CP2 registers, respectively.

This register is cleared to 00h by an RTC software reset. Before reading from this register, be sure to stop the time capture event detection using the RTCCRy.TCCT[1:0] bits.

24.2.25 Hour Capture Register y (RHRCPy) (y = 0 to 2)/BCNT2 Capture Register y (BCNT2CPy) (y = 0 to 2)

(1) In calendar count mode:

Address(es): [RTC.RHRCP0 4004 4056h](#), [RTC.RHRCP1 4004 4066h](#), [RTC.RHRCP2 4004 4076h](#)



| Bit | Symbol | Bit name | Description | R/W |
|----------|-----------|-----------------|---------------------------------------------------|-----|
| b3 to b0 | HR1[3:0] | 1-Hour Capture | Capture value for the ones place of hours | R |
| b5, b4 | HR10[1:0] | 10-Hour Capture | Capture value for the tens place of hours | R |
| b6 | PM | PM | 0: AM 1: PM. | R |
| b7 | — | Reserved | This bit is read as 0 after an RTC software reset | R |

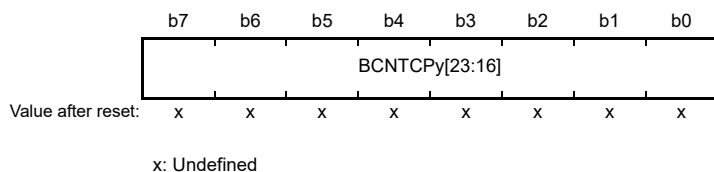
RHRCPy is a read-only register that captures the RHRCNT value when a time capture event is detected.

The event detection times detected by the RTCIC0, RTCIC1, and RTCIC2 pins are stored in the RHRCP0, RHRCP1, and RHRCP2 registers, respectively. The PM bit is only enabled when the RCR2.HR24 bit is 0 (in 12-hour mode).

This register is cleared to 00h by an RTC software reset. Before reading from this register, be sure to stop the time capture event detection using the RTCCRy.TCCT[1:0] bits.

(2) In binary count mode:

Address(es): [RTC.BCNT2CP0 4004 4056h](#), [RTC.BCNT2CP1 4004 4066h](#), [RTC.BCNT2CP2 4004 4076h](#)



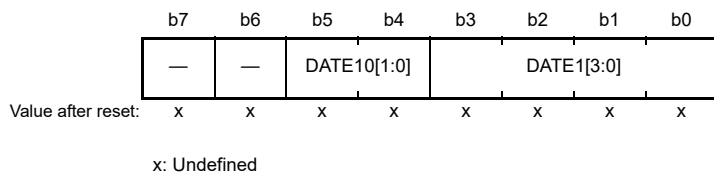
BCNT2CPy is a read-only register that captures the BCNT2 value when a time capture event is detected. The event detection times detected by the RTCIC0, RTCIC1, and RTCIC2 pins are stored in the BCNT2CP0, BCNT2CP1, and BCNT2CP2 registers, respectively.

This register is cleared to 00h by an RTC software reset. Before reading from this register, be sure to stop the time capture event detection using the RTCCRy.TCCT[1:0] bits.

24.2.26 Date Capture Register y (RDAYCPy) (y = 0 to 2)/BCNT3 Capture Register y (BCNT3CPy) (y = 0 to 2)

(1) In calendar count mode:

Address(es): [RTC.RDAYCP0 4004 405Ah](#), [RTC.RDAYCP1 4004 406Ah](#), [RTC.BCNT3CP2 4004 407Ah](#)



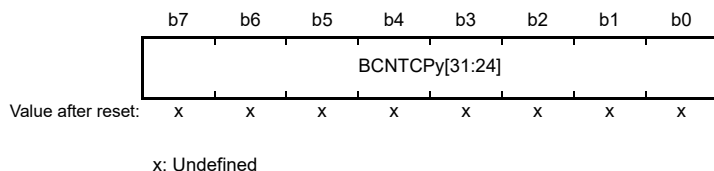
| Bit | Symbol | Bit name | Description | R/W |
|----------|-----------------------------|----------------|------------------------------------------------------|-----|
| b3 to b0 | DATE1[3:0] | 1-Day Capture | Capture value for the ones place of days | R |
| b5, b4 | DATE10[1:0] | 10-Day Capture | Capture value for the tens place of days | R |
| b7, b6 | — | Reserved | These bits are read as 0 after an RTC software reset | R |

RDAYCPy is a read-only register that captures the RDAYCNT value when a time capture event is detected. The event detection times detected by the RTCIC0, RTCIC1, and RTCIC2 pins are stored in the RDAYCP0, RDAYCP1, and RDAYCP2 registers, respectively.

This register is cleared to 00h by an RTC software reset. Before reading from this register, be sure to stop the time capture event detection using the RTCCRy.TCCT[1:0] bits.

(2) In binary count mode:

Address(es): [RTC.BCNT3CP0 4004 405Ah](#), [RTC.BCNT3CP1 4004 406Ah](#), [RTC.BCNT3CP2 4004 407Ah](#)



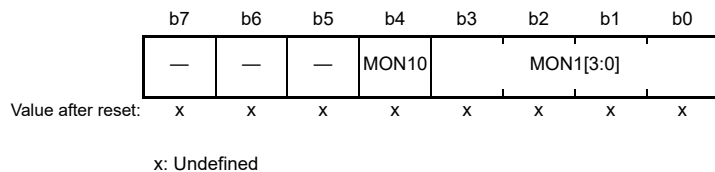
BCNT3CPy is a read-only register that captures the BCNT3 value when a time capture event is detected. The event detection times detected by the RTCTC0, RTCTC1, and RTCTC2 pins are stored in the BCNT3CP0, BCNT3CP1, and BCNT3CP2 registers, respectively.

This register is cleared to 00h by an RTC software reset. Before reading from this register, be sure to stop the time capture event detection using the RTCCRy.TCCT[1:0] bits.

24.2.27 Month Capture Register y (RMONCPy) (y = 0 to 2)

(1) In calendar count mode:

Address(es): [RTC.RMONCP0 4004 405Ch](#), [RTC.RMONCP1 4004 406Ch](#), [RTC.RMONCP2 4004 407Ch](#)



| Bit | Symbol | Bit name | Description | R/W |
|----------|---------------------------|------------------|--------------------------------------------|-----|
| b3 to b0 | MON1[3:0] | 1-Month Capture | Capture value for the ones place of months | R |
| b4 | MON10 | 10-Month Capture | Capture value for the tens place of months | R |
| b7 to b5 | — | Reserved | These bits are read as 0 | R |

RMONCPy is a read-only register that captures the RMONCNT value when a time capture event is detected.

The event detection times detected by the RTCIC0, RTCIC1, and RTCIC2 pins are stored in the RMONCP0, RMONCP1, and RMONCP2 registers, respectively.

This register is cleared to 00h by an RTC software reset. Before reading from this register, be sure to stop the time capture event detection using the RTCCRy.TCCT[1:0] bits.

24.3 Operation

24.3.1 Outline of Initial Settings of Registers after Power On

After the power is turned on, perform the initial settings for the clock setting, count mode setting, time error adjustment, time setting, alarm, interrupt, and time capture control register.

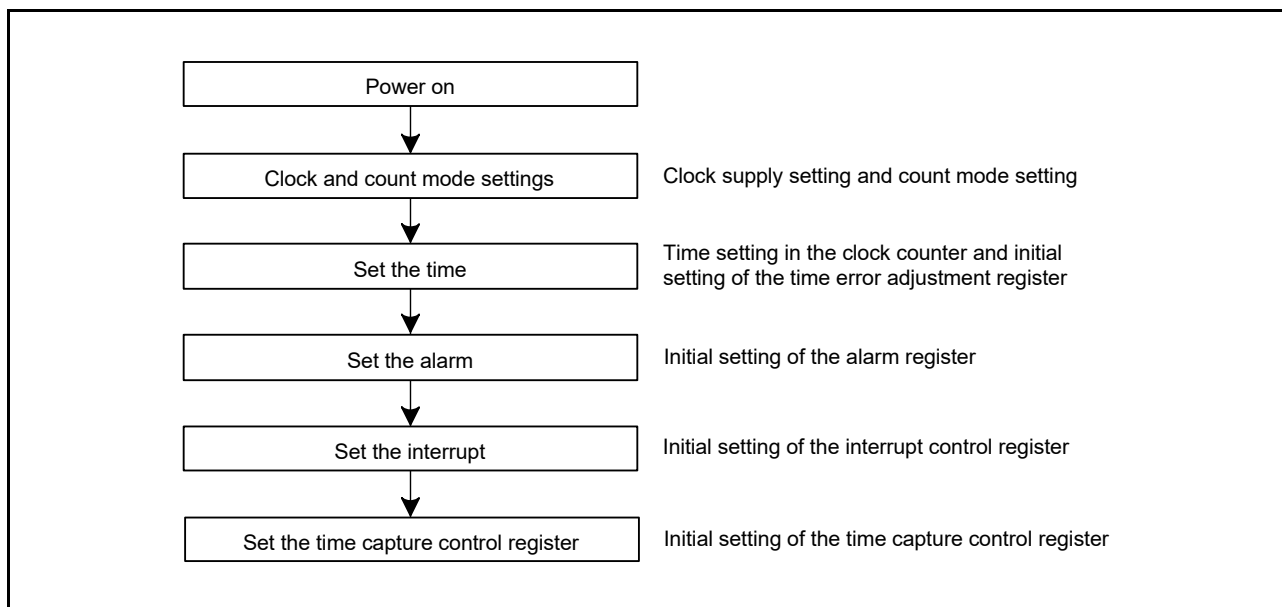


Figure 24.2 Outline of initial settings after a power on

24.3.2 Clock and Count Mode Setting Procedure

Figure 24.3 shows how to set the clock and the count mode.

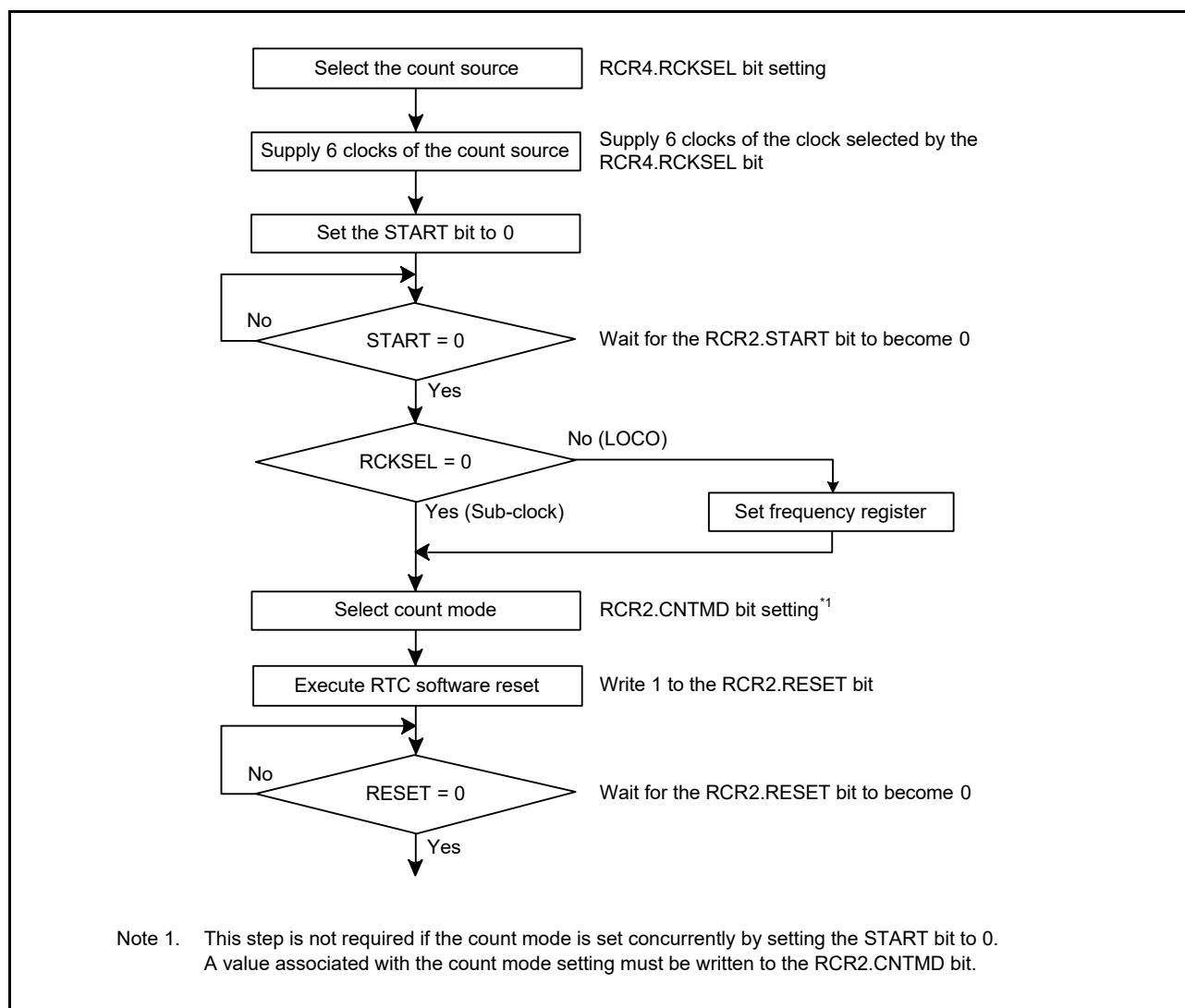


Figure 24.3 Clock and count mode setting procedure

24.3.3 Setting the Time

Figure 24.4 shows how to set the time.

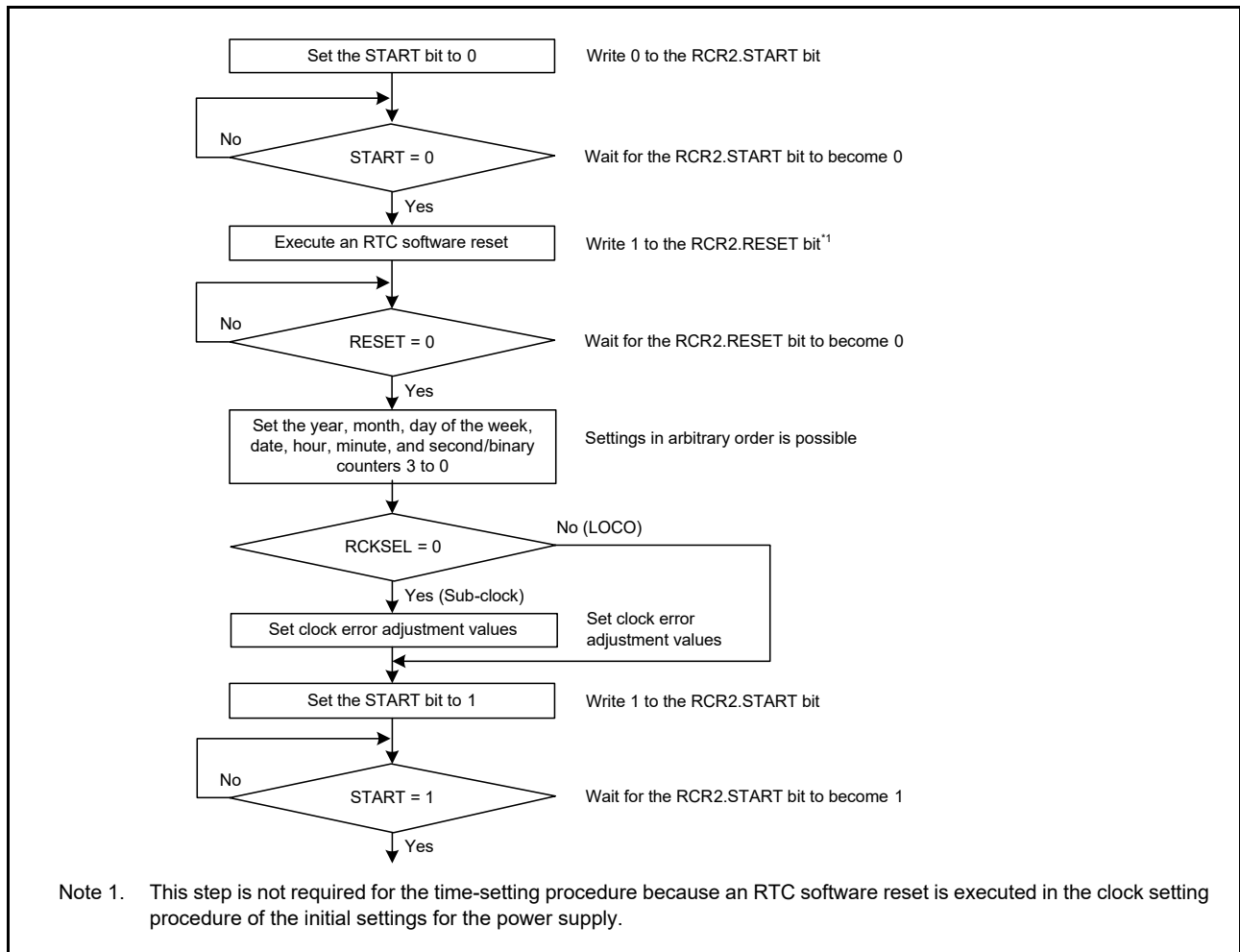


Figure 24.4 Setting the time

24.3.4 30-Second Adjustment

Figure 24.5 shows how to execute a 30-second adjustment.

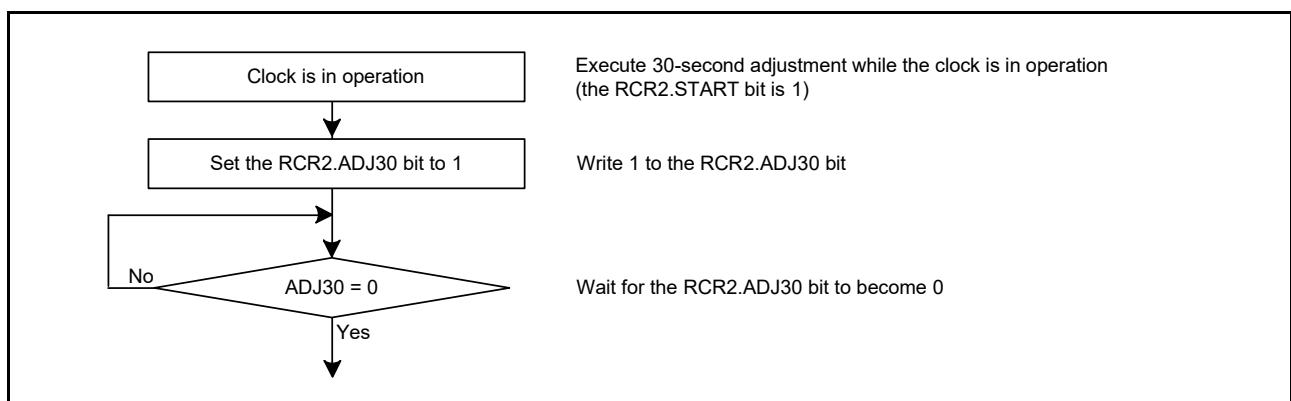


Figure 24.5 30-Second adjustment

24.3.5 Reading 64-Hz Counter and Time

Figure 24.6 shows how to read a 64-Hz counter and time.

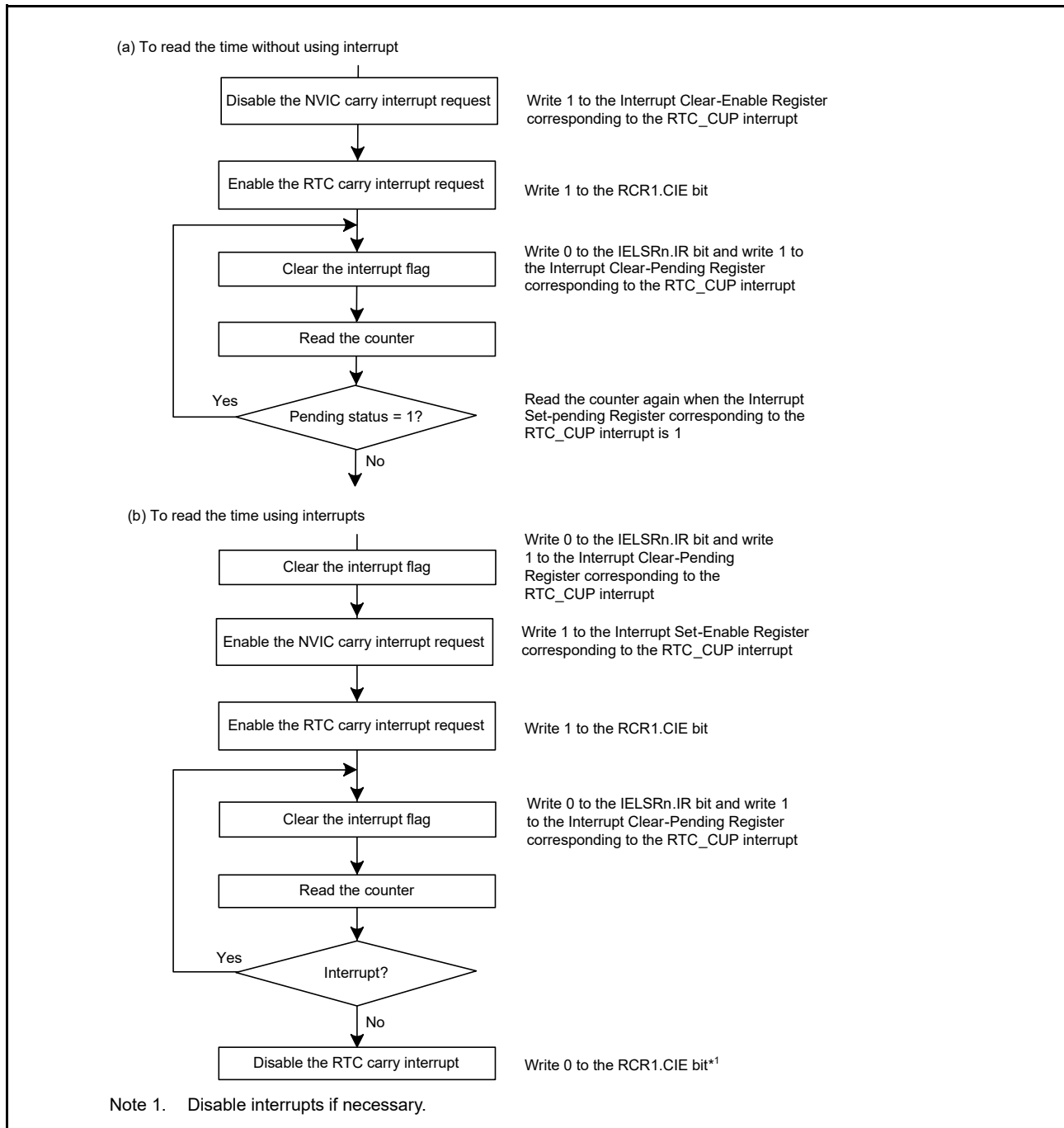


Figure 24.6 Reading time

If a carry occurs while the 64-Hz counter and time are read, the correct time is not obtained, therefore they must be read again. The procedure for reading the time without using interrupts is shown in (a) in Figure 24.6, and the procedure using carry interrupts is shown in (b). To keep the program simple, method (a) should be used in most cases.

24.3.6 Alarm Function

Figure 24.7 shows how to use the alarm function.

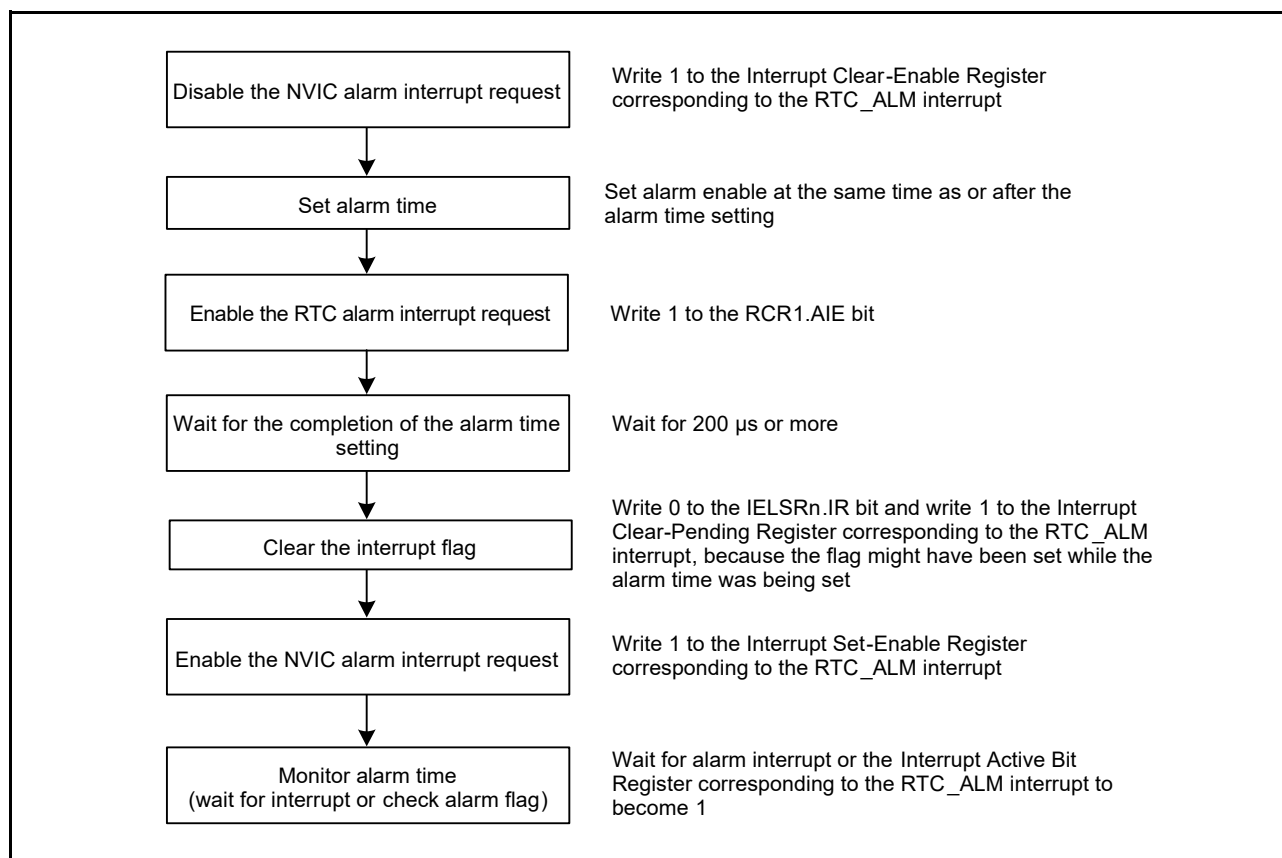


Figure 24.7 Using alarm function

In calendar count mode, an alarm can be generated by any one of year, month, date, day-of-week, hour, minute or second, or any combination of those. Write 1 to the ENB bit in the alarm registers involved in the alarm setting, and set the alarm time in the lower bits. Write 0 to the ENB bit in registers not involved in the alarm setting.

In binary count mode, an alarm can be generated in any bit combination of 32 bits. Write 1 to the ENB bit of the alarm enable register associated with the target bit of the alarm, and set the alarm time in the alarm register. For bits that are not the target of the alarm, write 0 to the ENB bit of the Alarm Enable register.

When the counter and the alarm time match, the IELSRn.IR bit and Interrupt Set-Pending/Clear-Pending Register associated with the RTC_ALM interrupt are set to 1. Alarm detection can be confirmed by reading the Interrupt Set-Pending Register associated with the RTC_ALM interrupt, but an interrupt should be used in most cases. If 1 is set in the Interrupt Set-Enable Register associated with the RTC_ALM interrupt, an alarm interrupt is generated in the event of the alarm, enabling the alarm to be detected.

Writing 0 sets the IELSRn.IR bit associated with the RTC_ALM interrupt to 0. If interrupt is enabled, the Interrupt Set-Pending/Clear-Pending Register and Interrupt Active Bit Register corresponding to the RTC_ALM interrupt is cleared automatically after exiting the interrupt handler. Otherwise, write 1 to the Interrupt Clear-Pending Register associated with the RTC_ALM interrupt to clear it.

When the counter and the alarm time match in a low power state, the MCU returns from the low power state.

24.3.7 Procedure for Disabling Alarm Interrupt

Figure 24.8 shows the procedure for disabling the enabled alarm interrupt request.

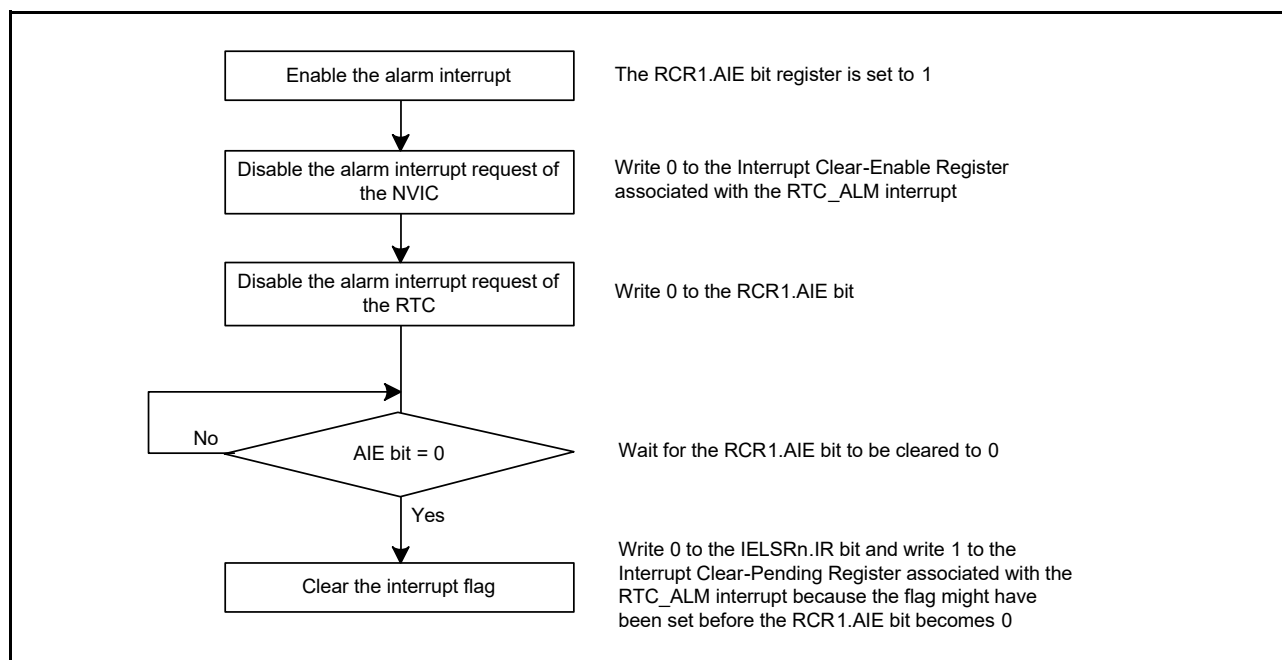


Figure 24.8 Procedure for disabling alarm interrupt request

24.3.8 Time Error Adjustment Function

The time error adjustment function is used to correct errors, running fast or slow, in the time due to variation in the precision of oscillation by the sub-clock oscillator. Because 32768 cycles of the sub-clock oscillator constitute 1 second of operation when the sub-clock oscillator is selected, the clock runs fast if the sub-clock frequency is high and slow if the sub-clock frequency is low.

The time error adjustment functions include:

- Automatic adjustment
- Adjustment by software.

Use the RCR2.AADJE bit to select automatic adjustment or adjustment by software.

24.3.8.1 Automatic adjustment

Enable automatic adjustment by setting the RCR2.AADJE bit to 1. Automatic adjustment is the addition or subtraction of the value counted by the prescaler to or from the value in the RADJ register every time the adjustment period selected by the RCR2.AADJP bit elapses.

(1) Example 1: Sub-clock oscillator running at 32.769 kHz

(a) Adjustment procedure

When the sub-clock oscillator is running at 32.769 kHz, 1 second elapses every 32769 clock cycles. The RTC is meant to run at 32768 clock cycles, so the clock runs fast by 1 clock cycle every second. The time on the clock is fast by 60 clock cycles per minute, so adjustment can take the form of setting the clock back by 60 cycles every minute.

Register settings when RCR2.CNTMD = 0 (calendar count mode):

- RCR2.AADJP = 0 (adjustment every minute)
- RADJ.PMADJ[1:0] = 10b (adjustment is performed by the subtraction from the prescaler)
- RADJ.ADJ[5:0] = 60 (3Ch).

(2) Example 2: Sub-clock oscillator running at 32.766 kHz**(a) Adjustment procedure**

When the sub-clock oscillator is running at 32.766 kHz, 1 second elapses every 32766 clock cycles. The RTC is meant to run at 32768 clock cycles, so the clock runs slow by 2 clock cycles every second. The time on the clock is slow by 20 clock cycles every 10 seconds, so adjustment can take the form of setting the clock forward by 20 cycles every 10 seconds.

Register settings when RCR2.CNTMD is 0 (calendar count mode):

- RCR2.AADJP = 1 (adjustment every 10 seconds)
- RADJ.PMADJ[1:0] = 01b (adjustment is performed by the addition to the prescaler)
- RADJ.ADJ[5:0] = 20 (14h).

(3) Example 3: Sub-clock oscillator running at 32.764 kHz**(a) Adjustment procedure**

At 32.764 kHz, 1 second elapses on 32764 clock cycles. Because the RTC operates for 32768 clock cycles as 1 second, the clock is delayed for 4 clock cycles per second. In 8 seconds, the delay is 32 clock cycles, therefore correction can be made by advancing the clock for 32 clock cycles every 8 seconds.

Register settings when RCR2.CNTMD is 1 (binary count mode):

- RCR2.AADJP = 1 (adjustment every 8 seconds)
- RADJ.PMADJ[1:0] = 01b (adjustment is performed by the addition to the prescaler)
- RADJ.ADJ[5:0] = 32 (20h).

24.3.8.2 Adjustment by software

Enable adjustment by software by setting the RCR2.AADJE bit to 0. Adjustment by software is the addition or subtraction of the value counted by the prescaler to or from the value in the RADJ register at the time of execution of a write instruction to the RADJ register.

(1) Example 1: Sub-clock oscillator running at 32.769 kHz**(a) Adjustment procedure**

When the sub-clock oscillator is running at 32.769 kHz, 1 second elapses every 32769 clock cycles. The RTC is meant to run at 32768 clock cycles, so the clock runs fast by 1 clock cycle every second. The time on the clock is fast by 1 clock cycle per second, so adjustment can take the form of setting the clock back by 1 cycle every second.

(b) Register settings

- RADJ.PMADJ[1:0] = 10b (adjustment is performed by the subtraction from the prescaler)
- RADJ.ADJ[5:0] = 1 (01h)
This is written to the RADJ register once per 1-second interrupt.

24.3.8.3 Procedure for changing the mode of adjustment

When changing the mode of adjustment, change the value of the AADJE bit in RCR2 after setting the RADJ.PMADJ[1:0] bits to 00b (adjustment is not performed).

To change adjustment by software to automatic adjustment:

1. Set the RADJ.PMADJ[1:0] bits to 00b (adjustment is not performed).
2. Set the RCR2.AADJE bit to 1 (automatic adjustment is enabled).
3. Use the RCR2.AADJP bit to select the period of adjustment.
4. In RADJ, set the PMADJ[1:0] bits for addition or subtraction and the ADJ[5:0] bits to the value for use in time error adjustment.

To change automatic adjustment to adjustment by software:

1. Set the RCR2.AADJE bit to 0 (adjustment is not performed).
2. Set the RCR2.AADJE bit to 0 (adjustment by software is enabled).
3. Proceed with the adjustment by setting the RCR2.AADJE bits for addition or subtraction and the RCR2.AADJ[5:0] bits to the value for use in time error adjustment at the desired time. After that, the time is adjusted every time a value is written to the RCR2 register.

24.3.8.4 Procedure for stopping adjustment

Stop the adjustment by setting the RCR2.AADJ[1:0] bits to 00b (adjustment is not performed).

24.3.8.5 Capturing the time

The RTC is capable of storing the month, date, hour, minute and second/binary counters 3 to 0 by detecting an edge of a signal on a time capture event input pin.

A noise filter can also be used on a time capture event input pin. If the noise filter is enabled, the TCST bit is set to 1 when the input level on the pin matches three times.

The noise filter can be switched on or off for each of the time capture event input pins. VBTICTLR.VCHnIEN (n = 0 to 2) should be set to 1 to enable the RTCICn input. Operation when the noise filter is off is shown in Figure 24.9 and operation when the noise filter is on is shown in Figure 24.10.

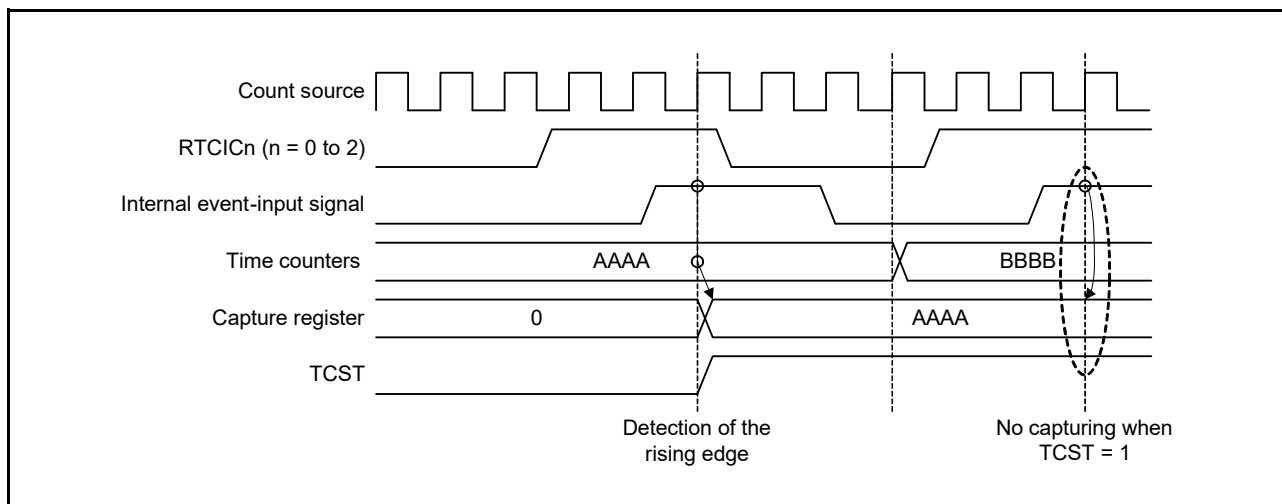


Figure 24.9 Timing of a time capture operation with the filter off

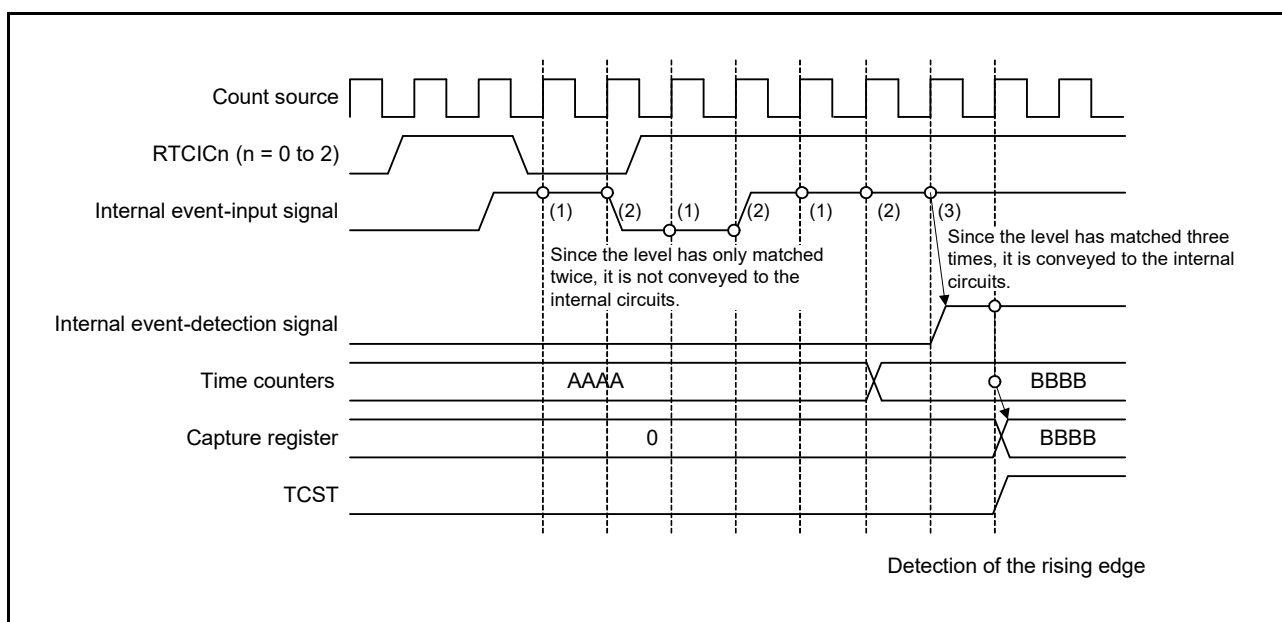


Figure 24.10 Timing of a time capture operation with the filter on

24.4 Interrupt Sources

The RTC has three interrupt sources and are listed in [Table 24.3](#).

Table 24.3 RTC Interrupt sources

| Name | Interrupt sources |
|---------|--------------------|
| RTC_ALM | Alarm interrupt |
| RTC_PRD | Periodic interrupt |
| RTC_CUP | Carry interrupt |

(1) Alarm interrupt (RTC_ALM)

This interrupt is generated based on the comparison result between the alarm registers and RTC counters. For details, see [section 24.3.6, Alarm Function](#).

Because there is a possibility that the interrupt flag might be set to 1 when the settings of the alarm registers match the clock counters, wait for the alarm time settings to be confirmed and clear the IELSRn.IR bit and the Interrupt Set-Pending Register associated with the RTC_ALM interrupt to 0 again after modifying values of the alarm registers. After the interrupt flag for the alarm interrupt is set to 1 and the state is returned to mismatching of the alarm registers and clock counters, the flag is not set again until there is another match or the values of the alarm registers are modified again.

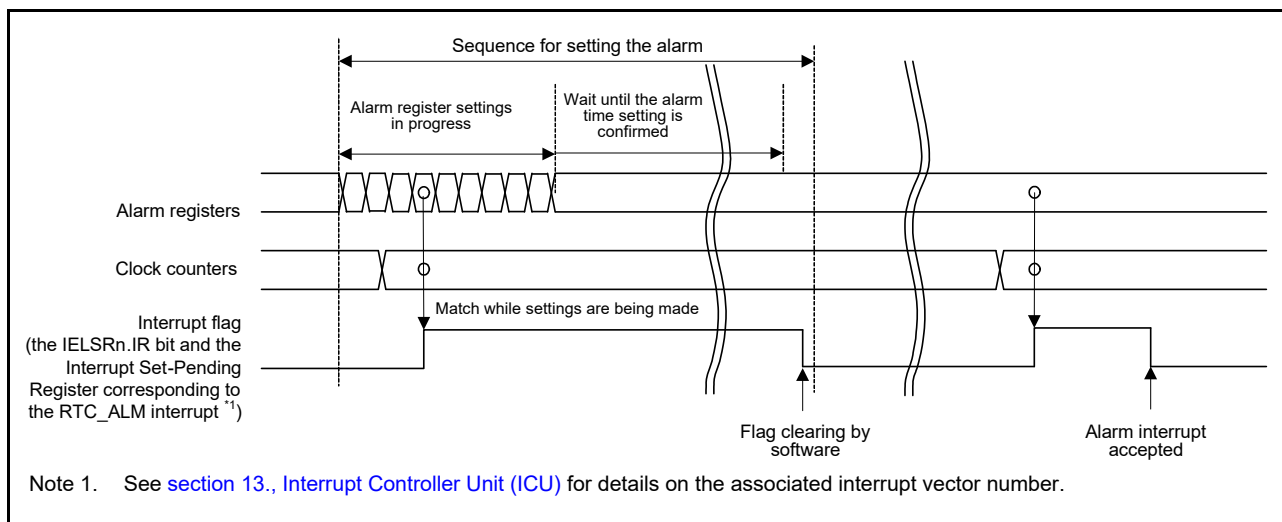


Figure 24.11 Timing for the alarm interrupt (RTC_ALM)

(2) Periodic interrupt (RTC_PRD)

This interrupt is generated at intervals of 2 seconds, 1 second, 1/2 second, 1/4 second, 1/8 second, 1/16 second, 1/32 second, 1/64 second, 1/128 second, or 1/256 second. The interrupt interval can be selected through the RCR1.PES[3:0] bits.

(3) Carry interrupt (RTC_CUP)

This interrupt is generated when a carry to the second counter/binary counter 0 occurred or a carry to the R64CNT counter occurred during read access to the 64-Hz counter.

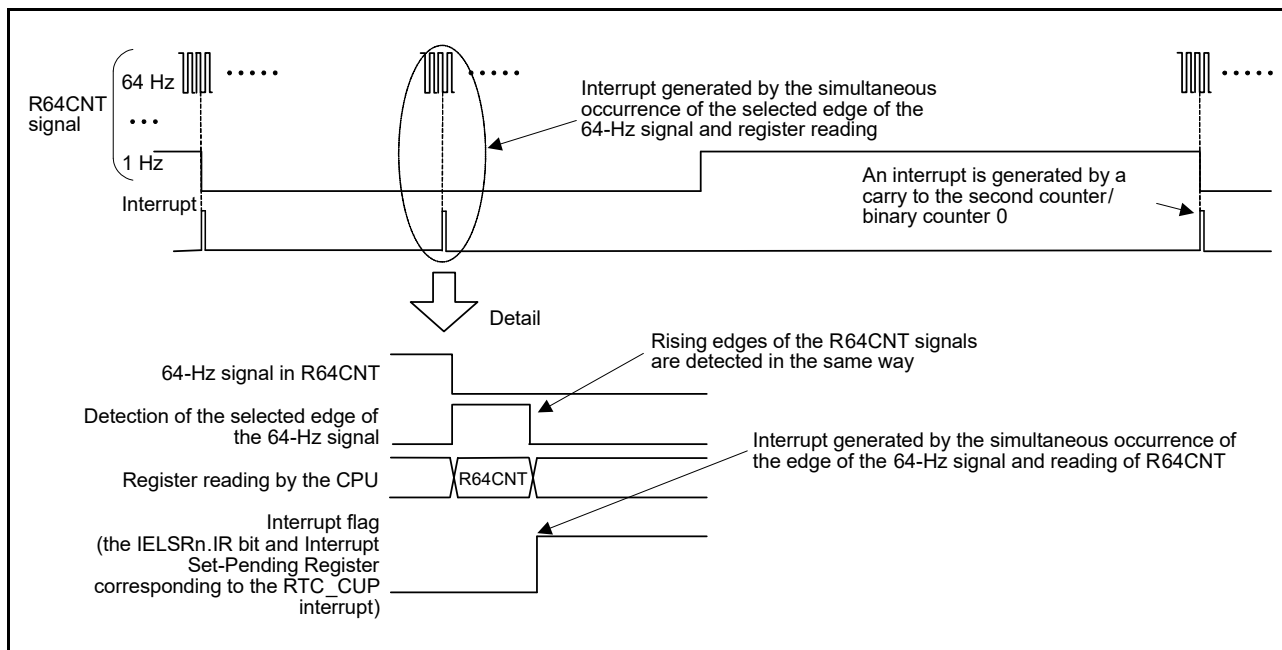


Figure 24.12 Timing for the carry interrupt (RTC_CUP)

24.5 Event Link Output

The RTC generates periodic event output (RTC_PRD) event signals for the Event Link Controller (ELC) that can be used to initiate operations by other modules selected in advance.

The periodic event signal is output at the interval selected from 1/256, 1/128, 1/64, 1/32, 1/16, 1/8, 1/4, 1/2, 1, and 2 seconds by setting the RCR1.PES[3:0] bits.

The event generation period immediately after the event generation is selected, is not guaranteed.

Note: If event linking from the RTC is used, only set the ELC after setting the RTC, for example, initialization and time settings. Setting the RTC after the ELC can lead to output of unexpected event signals.

24.5.1 Interrupt Handling and Event Linking

The RTC has a bit to enable or disable periodic interrupts. An interrupt request signal is output to the CPU when an interrupt source is generated while the associated enable bit is enabled.

In contrast, an event link output signal is sent to other modules as an event signal through the ELC when an interrupt source is generated, regardless of the setting of the associated interrupt enable bit.

Note: Although alarm and periodic interrupts can still be output during Software Standby mode, the periodic event signals for the ELC are not output.

24.6 Usage Notes

24.6.1 Register Writing during Counting

The following registers must not be written to during counting, that is, while the RCR2.START bit = 1.

- RSECCNT/BCNT0
- RMINCNT/BCNT1
- RHRCNT/BCNT2
- RDAYCNT
- RWKCNT/BCNT3
- RMONCNT
- RYRCNT
- RCR1.RTCOS
- RCR2.RTCOE
- RCR2.HR24
- RFRL.

The counter must be stopped before writing to any of these registers.

24.6.2 Use of Periodic Interrupts

The procedure for using periodic interrupts is shown in [Figure 24.13](#).

The generation and period of the periodic interrupt can be changed by setting the RCR1.PES[3:0] bits. However, because the prescaler R64CNT and RSECCNT/BCNT0 are used to generate interrupts, the interrupt period is not guaranteed immediately after setting the RCR1.PES[3:0] bits. In addition, any of the following can affect the interrupt period:

- Stopping/restarting or resetting counter operation
- Reset by RTC software
- 30-second adjustment by changing the RCR2 value.

When the time error adjustment function is used, the interrupt generation period after adjustment is added or subtracted based on the adjustment value.

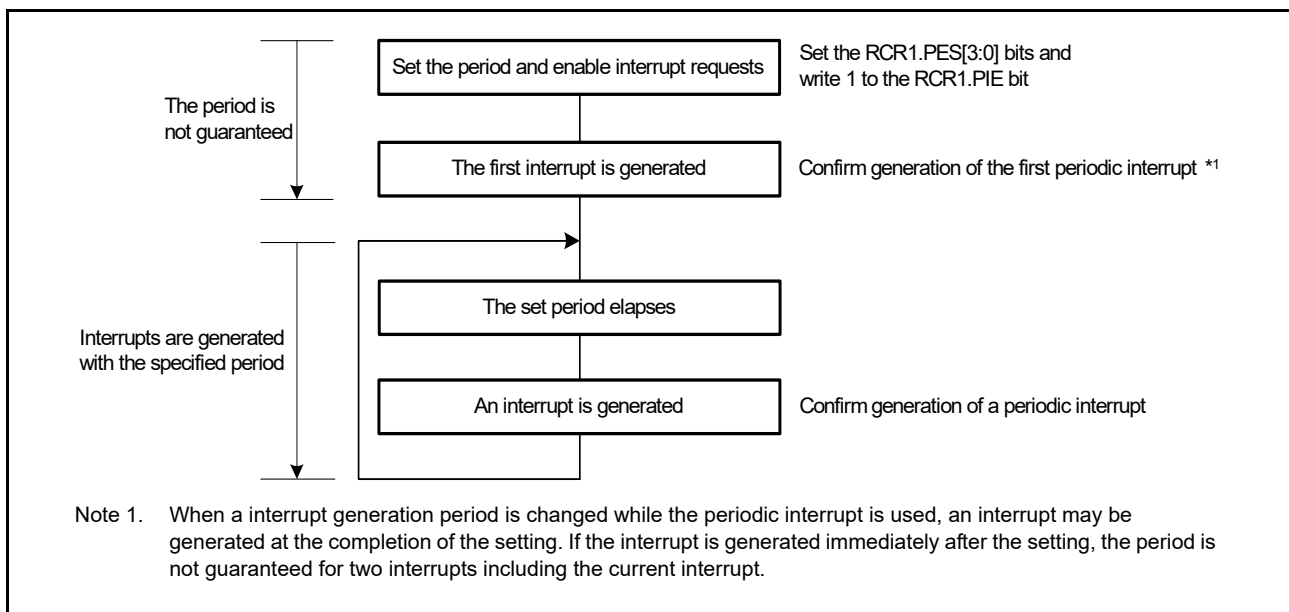


Figure 24.13 Using the periodic interrupt function

24.6.3 RTCOUT (1-Hz/64-Hz) Clock Output

Stopping/restarting or resetting counter operation, reset by RTC software, and the 30-second adjustment by changing the RCR2 value affects the period of RTCOUT (1-Hz/64-Hz) output. When the time error adjustment function is used, the period of RTCOUT (1-Hz/64-Hz) output after adjustment is added or subtracted based on the adjustment value.

24.6.4 Transitions to Low Power Modes after Setting Registers

A transition to a low power state (Software Standby mode or battery backup) during writing to an RTC register might corrupt the value in the register. After setting the register, confirm that the setting is in place before initiating a transition to a low power state.

24.6.5 Notes on Writing to and Reading from Registers

- When reading a counter register such as the second counter after writing to the counter register, follow the procedure in [section 24.3.5, Reading 64-Hz Counter and Time](#)
- The value written to the count registers, alarm registers, year alarm enable register, bits RCR2.AADJE, AADJP, and HR24, RCR4 register, or frequency register is reflected when four read operations are performed after writing
- The values written to the RCR1.CIE, RCR1.RTCOS, and RCR2.RTCOE bits can be read immediately after writing
- To read the value from the timer counter after returning from a reset, a period in Software Standby mode, or the battery backup state, wait for 1/128 second while the clock is operating (RCR2.START bit = 1)
- After a reset is generated, write to the RTC register after 6 cycles of the count source clock have elapsed.

24.6.6 Changing the Count Mode

When changing the count mode (calendar/binary), set the RCR2.START bit to 0, stop the counting operation, then restart it from the initial setting. For details on the initial setting, see [section 24.3.1, Outline of Initial Settings of Registers after Power On](#).

24.6.7 Initialization Procedure when the RTC is not to be Used

Registers in the Realtime clock (RTC) are not initialized by a reset. Depending on the initial state, the generation of an unintentional interrupt request or operation of the counter might lead to increased power consumption.

For applications that do not require an RTC, initialize the registers by following the initialization procedure shown in Figure 24.14.

Alternatively, when the sub-clock oscillator is not used as the system clock or realtime clock, the counter can be stopped by writing 0 (sub-clock oscillator is selected) to the RCR4.RCKSEL bit and stopping the sub-clock oscillator. To stop the sub-clock oscillator, write 1 to the SOSCCR.SOSTP bit.

For details on the setting of the SOSCCR.SOSTP bit, see [section 8, Clock Generation Circuit](#).

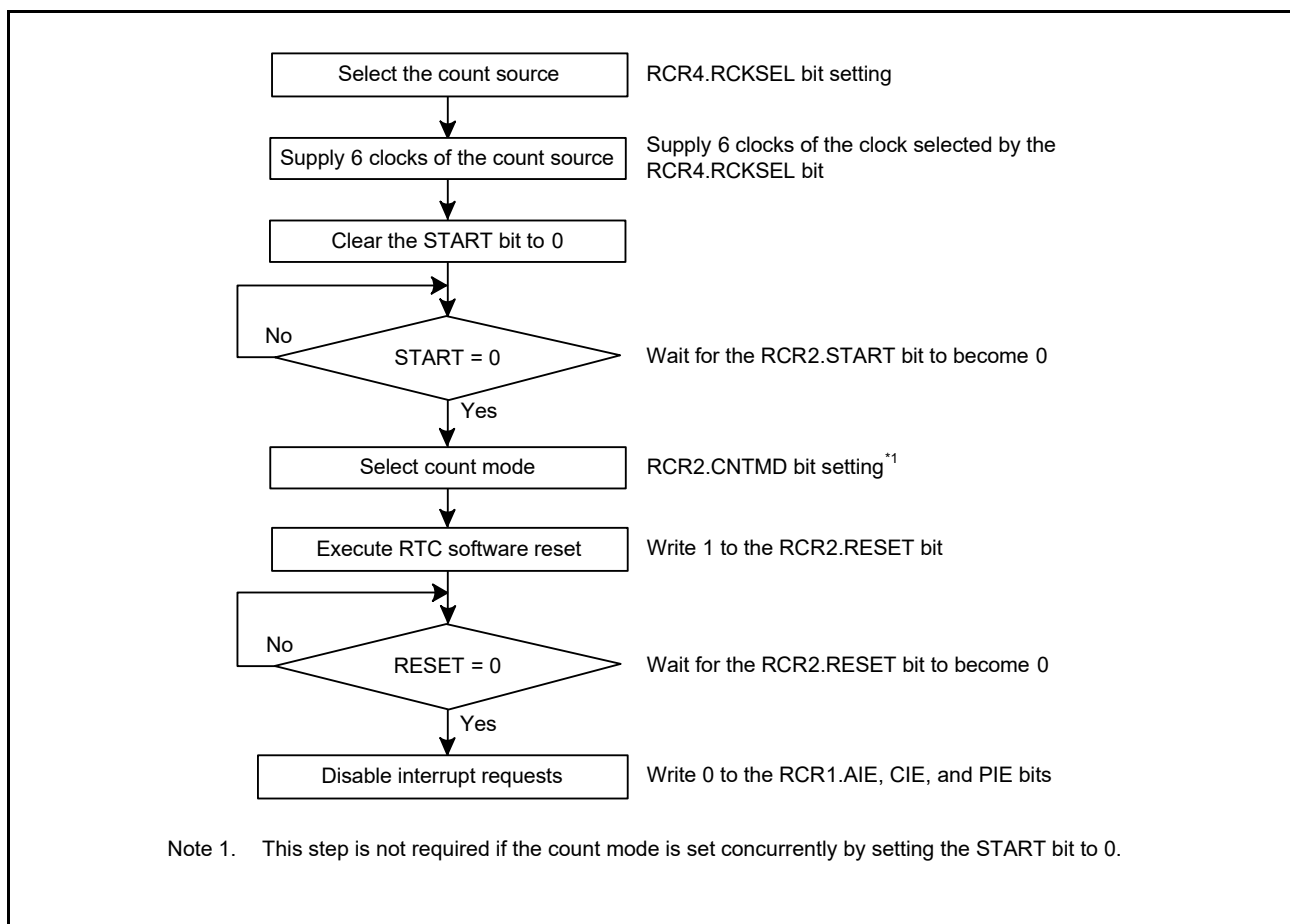


Figure 24.14 Initialization procedure

24.6.8 When Switching Source Clock

When switching a clock source by changing SCKCR.CKSEL[2:0], the clock output from the selector stops for 4 cycles of the switched clock. If the RTC periodical interrupt or RTC periodical event output was generated at this time, the interrupt or event is invalid.

25. Watchdog Timer (WDT)

25.1 Overview

The Watchdog Timer (WDT) is a 14-bit down-counter and can be used to reset the MCU when the counter underflows because the system has run out of control and is unable to refresh the WDT. In addition, the WDT can be used to generate a non-maskable interrupt or an underflow interrupt. The refresh-permitted period can be set to refresh the counter and to detect when the system runs out of control.

[Table 25.1](#) lists the WDT specifications and [Figure 25.1](#) shows the block diagram.

Table 25.1 WDT specifications

| Parameter | Specifications |
|------------------------------------------|-----------------------------------------------------------------------------------------------------------------------------------------------------------------------------------------------------------------------------------------------------------------|
| Count source | Peripheral clock (PCLKB) |
| Clock division ratio | Divide by 4, 64, 128, 512, 2048, or 8192 |
| Counter operation | Counting down using a 14-bit down-counter |
| Conditions for starting the counter | <ul style="list-style-type: none"> Auto-start mode: Counting automatically starts after a reset, or after an underflow or refresh error occurs Register start mode: Counting is started with a refresh by writing to the WDTRR register |
| Conditions for stopping the counter | <ul style="list-style-type: none"> Reset (the down-counter and other registers return to their initial values) A counter underflows or a refresh error is generated. |
| Window function | Window start and end positions can be specified (refresh-permitted and refresh-prohibited periods) |
| Watchdog timer Reset sources | <ul style="list-style-type: none"> Down-counter underflows Refreshing outside the refresh-permitted period (refresh error). |
| Non-maskable interrupt/interrupt sources | <ul style="list-style-type: none"> Down-counter underflows Refreshing outside the refresh-permitted period (refresh error). |
| Reading the counter value | The down-counter value can be read by the WDTSR register |
| Event link function (output) | <ul style="list-style-type: none"> Down-counter underflow event output Refresh error event output. |
| Output signal (internal signal) | <ul style="list-style-type: none"> Reset output Interrupt request output Sleep mode count stop control output. |

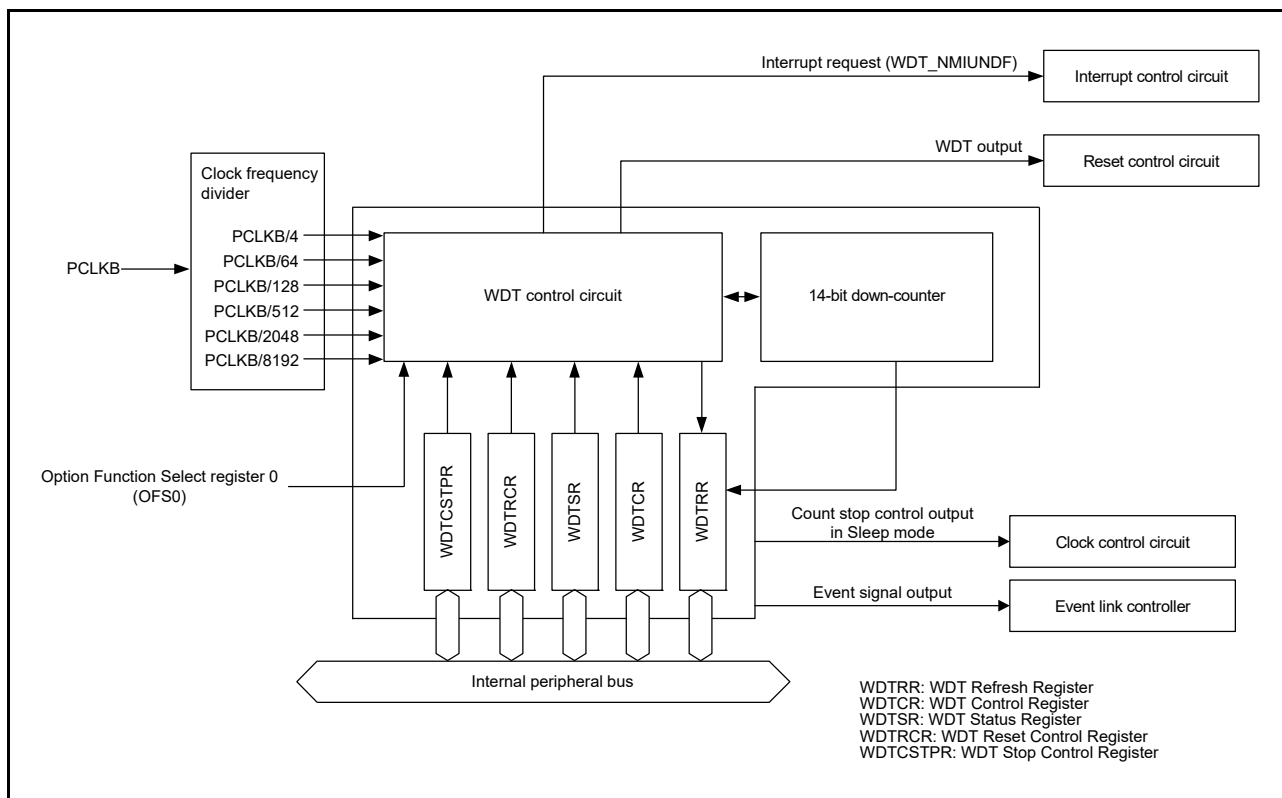


Figure 25.1 WDT block diagram

25.2 Register Descriptions

25.2.1 WDT Refresh Register (WDTRR)

Address(es): [WDT.WDTRR 4004 4200h](#)



| Bit | Description | R/W |
|----------|------------------------------------------------------------------------------------|-----|
| b7 to b0 | The down-counter is refreshed by writing 00h and then writing FFh to this register | R/W |

The WDTRR register refreshes the down-counter of the WDT.

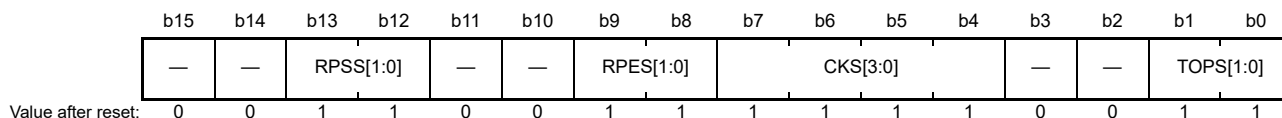
The down-counter of the WDT is refreshed by writing 00h and then writing FFh to WDTRR (refresh operation) within the refresh-permitted period.

After the down-counter is refreshed, it starts counting down from the value selected by the WDT Timeout Period Select bits (OFS0.WDTPS[1:0]) in auto-start mode. In register start mode, counting down starts from the value selected by the Timeout Period Select bits (WDTCSR.TOPS[1:0]) in the WDT Control Register.

When 00h is written, the read value is 00h. When a value other than 00h is written, the read value is FFh. For details of the refresh operation, see [section 25.3.3, Refresh Operation](#).

25.2.2 WDT Control Register (WDTCR)

Address(es): [WDT.WDTCR 4004 4202h](#)



| Bit | Symbol | Bit name | Description | R/W |
|----------|---------------------------|------------------------------|----------------------------------------------------------------------------------------------------------------------------------------------------------------------------|-----|
| b1, b0 | TOPS[1:0] | Timeout Period Select | b1 b0 0 0: 1024 cycles (03FFh) 0 1: 4096 cycles (0FFFh) 1 0: 8192 cycles (1FFFh) 1 1: 16384 cycles (3FFFh). | R/W |
| b3, b2 | — | Reserved | These bits are read as 0 and cannot be modified | R/W |
| b7 to b4 | CKS[3:0] | Clock Division Ratio Select | b7 b4 0 0 0 1: PCLKB/4 0 1 0 0: PCLKB/64 1 1 1 1: PCLKB/128 0 1 1 0: PCLKB/512 0 1 1 1: PCLKB/2048 1 0 0 0: PCLKB/8192. Other setting are prohibited. | R/W |
| b9, b8 | RPES[1:0] | Window End Position Select | b9 b8 0 0: 75% 0 1: 50% 1 0: 25% 1 1: 0% (window end position is not specified). | R/W |
| b11, b10 | — | Reserved | These bits are read as 0 and cannot be modified | R/W |
| b13, b12 | RPSS[1:0] | Window Start Position Select | b13 b12 0 0: 25% 0 1: 50% 1 0: 75% 1 1: 100% (window start position is not specified). | R/W |
| b15, b14 | — | Reserved | These bits are read as 0 and cannot be modified | R/W |

Some constraints apply to writes to the WDTCR register. For details, see [section 25.3.2, Controlling Writes to the WDTCR, WDTRCR, and WDTCSR Registers](#).

In auto-start mode, the settings in the WDTCR register are disabled, and the settings in the Option Function Select Register 0 (OFS0) are enabled. The settings for the WDTCR register can also be made for the OFS0 register. For details, see [section 25.3.7, Associations between Option Function Select Register 0 \(OFS0\) and WDT Registers](#).

[TOPS\[1:0\] bits \(Timeout Period Select\)](#)

The TOPS[1:0] bits select the timeout period (the period until the down-counter underflows) from 1024, 4096, 8192, and 16384 cycles, taking the divided clock specified by the CKS[3:0] bits as 1 cycle.

After the down-counter is refreshed, the combination of the CKS[3:0] and TOPS[1:0] bits determines the time (number of PCLKB cycles) until the counter underflows.

[Table 25.2](#) lists the relationship between the CKS[3:0] and TOPS[1:0] bit settings, the timeout period, and the number of PCLKB cycles.

Table 25.2 Timeout period settings

| CKS[3:0] bits | | | | TOPS[1:0] bits | | Clock division ratio | Timeout period (number of cycles) | PCLKB clock cycles |
|---------------|----|----|----|----------------|----|----------------------|--------------------------------------|--------------------|
| b7 | b6 | b5 | b4 | b1 | b0 | | | |
| 0 | 0 | 0 | 1 | 0 | 0 | PCLKB/4 | 1024 | 4096 |
| | | | | 0 | 1 | | 4096 | 16384 |
| | | | | 1 | 0 | | 8192 | 32768 |
| | | | | 1 | 1 | | 16384 | 65536 |
| 0 | 1 | 0 | 0 | 0 | 0 | PCLKB/64 | 1024 | 65536 |
| | | | | 0 | 1 | | 4096 | 262144 |
| | | | | 1 | 0 | | 8192 | 524288 |
| | | | | 1 | 1 | | 16384 | 1048576 |
| 1 | 1 | 1 | 1 | 0 | 0 | PCLKB/128 | 1024 | 131072 |
| | | | | 0 | 1 | | 4096 | 524288 |
| | | | | 1 | 0 | | 8192 | 1048576 |
| | | | | 1 | 1 | | 16384 | 2097152 |
| 0 | 1 | 1 | 0 | 0 | 0 | PCLKB/512 | 1024 | 524288 |
| | | | | 0 | 1 | | 4096 | 2097152 |
| | | | | 1 | 0 | | 8192 | 4194304 |
| | | | | 1 | 1 | | 16384 | 8388608 |
| 0 | 1 | 1 | 1 | 0 | 0 | PCLKB/2048 | 1024 | 2097152 |
| | | | | 0 | 1 | | 4096 | 8388608 |
| | | | | 1 | 0 | | 8192 | 16777216 |
| | | | | 1 | 1 | | 16384 | 33554432 |
| 1 | 0 | 0 | 0 | 0 | 0 | PCLKB/8192 | 1024 | 8388608 |
| | | | | 0 | 1 | | 4096 | 33554432 |
| | | | | 1 | 0 | | 8192 | 67108864 |
| | | | | 1 | 1 | | 16384 | 134217728 |

CKS[3:0] bits (Clock Division Ratio Select)

The CKS[3:0] bits specify the division ratio of the clock used for the down-counter. The division ratio can be selected from the peripheral clock (PCLKB) divided by 4, 64, 128, 512, 2048, and 8192. Combined with the TOPS[1:0] bit setting, a count period between 4096 and 134217728 PCLKB clock cycles can be selected for the WDT.

RPES[1:0] bits (Window End Position Select)

The RPES[1:0] bits specify the window end position that indicates the refresh-permitted period. 75%, 50%, 25%, or 0% of the timeout period can be selected for the window end position. The selected window end position should be a value smaller than the value for the window start position (window start position > window end position). If the window end position is greater than the window start position, only the window start position setting is enabled.

RPSS[1:0] bits (Window Start Position Select)

The RPSS[1:0] bits specify the window start position that indicates the refresh-permitted period. 100%, 75%, 50%, or 25% of the timeout period can be selected for the window end position. The window start position should be set to a value greater than the value for the window end position. If the window start position is set to a value smaller than or equal to the window end position, the window end position is set to 0%.

Table 25.3 shows the timeout period set by the TOPS[1:0] bits, and Figure 25.2 shows the refresh-permitted period set by the RPSS[1:0] and RPES[1:0] bits.

Table 25.3 Relationship between timeout period and window start and end counter values

| TOPS[1:0] bits | | Timeout period | | Window start and end counter value | | | |
|----------------|---|----------------|---------------|------------------------------------|-------|-------|-------|
| | | Cycles | Counter value | 100% | 75% | 50% | 25% |
| 0 | 0 | 1024 | 03FFh | 03FFh | 02FFh | 01FFh | 00FFh |
| 0 | 1 | 4096 | 0FFFh | 0FFFh | 0BFFh | 07FFh | 03FFh |
| 1 | 0 | 8192 | 1FFFh | 1FFFh | 17FFh | 0FFFh | 07FFh |
| 1 | 1 | 16384 | 3FFFh | 3FFFh | 2FFFh | 1FFFh | 0FFFh |

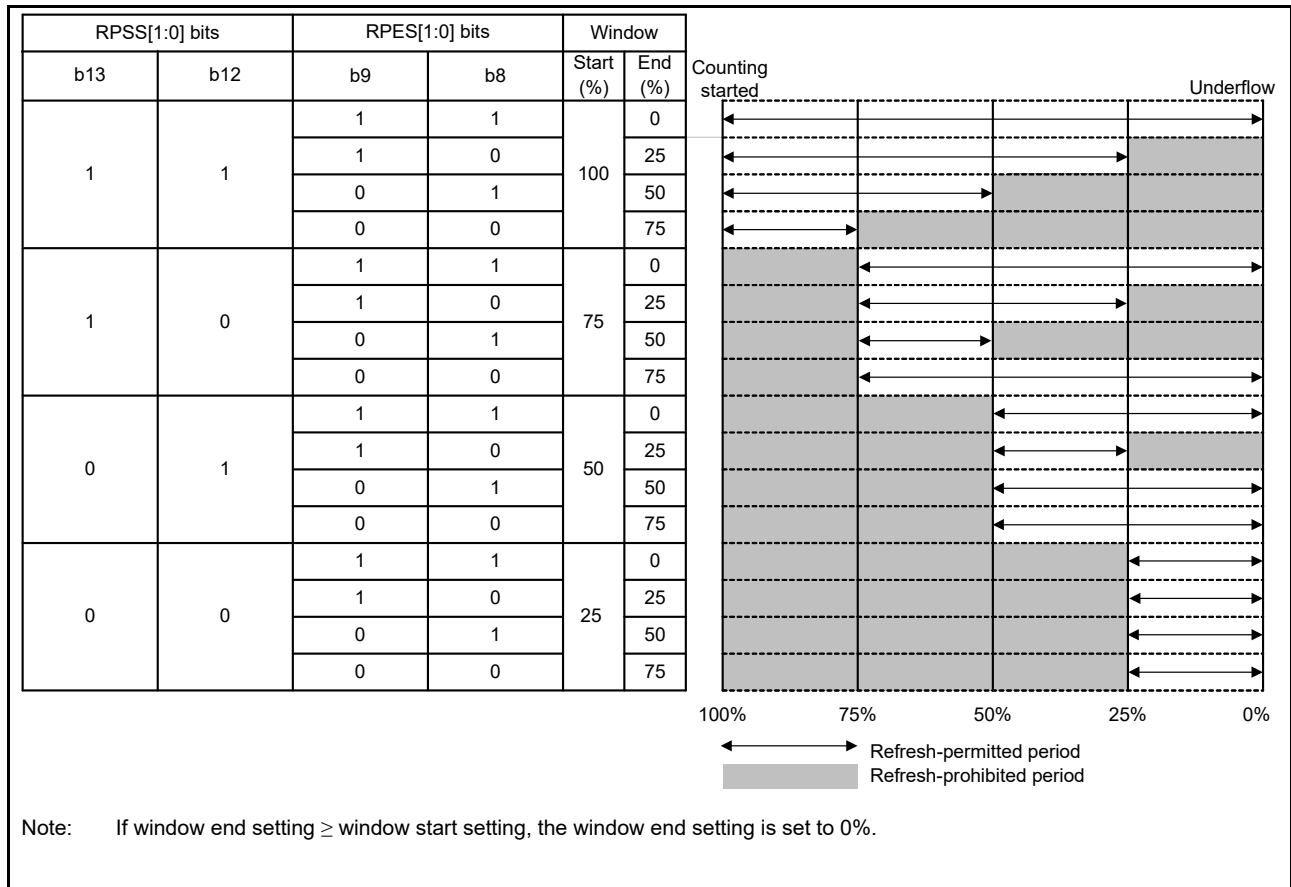
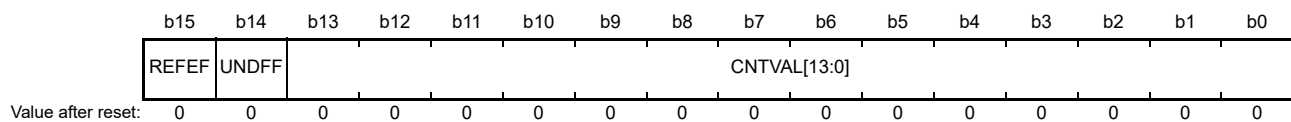


Figure 25.2 RPSS[1:0] and RPES[1:0] bit settings and refresh-permitted period

25.2.3 WDT Status Register (WDTSR)

Address(es): [WDT.WDTSR 4004 4204h](#)



| Bit | Symbol | Bit Name | Description | R/W |
|-----------|------------------------------|--------------------|----------------------------------------------------|-------------|
| b13 to b0 | CNTVAL[13:0] | Down-Counter Value | Value counted by the down-counter | R |
| b14 | UNDF | Underflow Flag | 0: No underflow occurred 1: Underflow occurred. | R/(W) *1 |

| Bit | Symbol | Bit Name | Description | R/W |
|-----|--------|--------------------|------------------------------------------------------------|------------|
| b15 | REFEF | Refresh Error Flag | 0: No refresh error occurred 1: Refresh error occurred. | R(W) *1 |

Note 1. Only 0 can be written to clear the flag.

CNTVAL[13:0] bits (Down-Counter Value)

Read the CNTVAL[13:0] bits to confirm the value of the down-counter. The read value might differ from the actual count by a value of one count.

UNDFE flag (Underflow Flag)

Read the UNDFE flag to confirm whether an underflow occurred in the down-counter. A value of 1 indicates that the down-counter underflowed. Write 0 to the UNDFE flag to set the value to 0. Writing 1 has no effect.

Clearing of the UNDFE flag takes (N+1) PCLKB cycles. In addition, clearing of this flag is ignored for (N+1) PCLKB cycles following an underflow. N is specified in the WDTCR.CKS[3:0] bits as follows:

- When WDTCR.CKS[3:0] = 0001b, N = 4
- When WDTCR.CKS[3:0] = 0100b, N = 64
- When WDTCR.CKS[3:0] = 1111b, N = 128
- When WDTCR.CKS[3:0] = 0110b, N = 512
- When WDTCR.CKS[3:0] = 0111b, N = 2048
- When WDTCR.CKS[3:0] = 1000b, N = 8192.

REFEF flag (Refresh Error Flag)

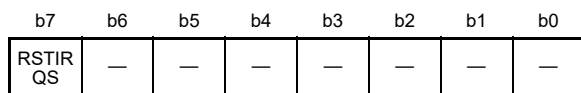
Read the REFEF flag to confirm whether a refresh error occurred. A value of 1 indicates that a refresh error occurred. Write 0 to the REFEF flag to set the value to 0. Writing 1 has no effect.

Clearing of the REFEF flag takes (N+1) PCLKB cycles. In addition, clearing of the flag is ignored for (N+1) PCLKB cycles following a refresh error. N is specified in the WDTCR.CKS[3:0] bits as follows:

- When WDTCR.CKS[3:0] = 0001b, N = 4
- When WDTCR.CKS[3:0] = 0100b, N = 64
- When WDTCR.CKS[3:0] = 1111b, N = 128
- When WDTCR.CKS[3:0] = 0110b, N = 512
- When WDTCR.CKS[3:0] = 0111b, N = 2048
- When WDTCR.CKS[3:0] = 1000b, N = 8192

25.2.4 WDT Reset Control Register (WDTRCR)

Address(es): WDT.WDTRCR 4004 4206h



Value after reset: 1 0 0 0 0 0 0 0

| Bit | Symbol | Bit Name | Description | R/W |
|----------|---------|--------------------------------|---------------------------------------------------------------------------------------------------|-----|
| b6 to b0 | — | Reserved | These bits are read as 0 and cannot be modified | R/W |
| b7 | RSTIRQS | Reset Interrupt Request Select | 0: Non-maskable interrupt request or interrupt request output enabled 1: Reset output enabled. | R/W |

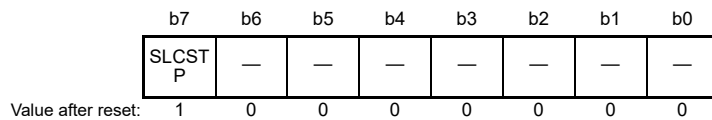
Some constraints apply to writes to the WDTRCR register. For details, see section 25.3.2, Controlling Writes to the

WDTCR, WDTRCR, and WDTCSPTPR Registers.

In auto-start mode, the WDTRCR register settings are disabled, and the settings in the Option Function Select register 0 (OFS0) are enabled. The settings for the WDTCR register can also be made for the OFS0 register. For details, see [section 25.3.7, Associations between Option Function Select Register 0 \(OFS0\) and WDT Registers](#).

25.2.5 WDT Count Stop Control Register (WDTCSPTPR)

Address(es): WDT.WDTCSPTPR 4004 4208h



| Bit | Symbol | Bit name | Description | R/W |
|----------|--------|-------------------------------|---------------------------------------------------------------------------------|-----|
| b6 to b0 | — | Reserved | These bits are read as 0 and cannot be modified | R/W |
| b7 | SLCSTP | Sleep-Mode Count Stop Control | 0: Count stop is disabled 1: Count is stopped when transition to Sleep mode. | R/W |

The WDTCSPTPR register controls whether to stop the WDT counter in a low power state. Some constraints apply to writes to the WDTCSPTPR register. For details, see [section 25.3.2, Controlling Writes to the WDTCR, WDTRCR, and WDTCSPTPR Registers](#).

In auto-start mode, the WDTCSPTPR register settings are disabled, and the settings in the Option Function Select register 0 (OFS0) are enabled. The settings for the WDTCSPTPR register can also be made for the OFS0 register. For details, see [section 25.3.7, Associations between Option Function Select Register 0 \(OFS0\) and WDT Registers](#).

SLCSTP bit (Sleep-Mode Count Stop Control)

The SLCSTP bit selects whether to stop counting when transition to Sleep mode.

25.2.6 Option Function Select Register 0 (OFS0)

For information on the OFS0 register, see [section 25.3.7, Associations between Option Function Select Register 0 \(OFS0\) and WDT Registers](#).

25.3 Operation

25.3.1 Count Operation in Each Start Mode

The WDT has two start modes:

- Auto-start mode, in which counting automatically starts after a release from the reset state
- Register start mode, in which counting starts with a refresh by writing to the register.

In auto-start mode, counting automatically starts after release from the reset state according to the settings in the Option Function Select register 0 (OFS0) in the flash.

In register start mode, counting starts with a refresh by writing to the register after the respective registers are set after release from the reset state.

Select auto-start mode or register start mode by setting the WDT start mode select bit (OFS0.WDTSTRT) in the OFS0 register.

When the auto-start mode is selected, the settings in the WDT Control Register (WDTCR), WDT Reset Control Register (WDTRCR), and WDT Count Stop Control Register (WDTCSPTPR) are disabled while the settings in the OFS0 register are enabled.

When the register start mode is selected, the setting for the OFS0 register is disabled while the settings for the WDT Control Register (WDTCR), WDT Reset Control Register (WDTRCR), and WDT Count Stop Control Register (WDTCSPTPR) are enabled.

25.3.1.1 Register start mode

When the WDT Start Mode Select bit (OFS0.WDTSTRT) is 1, register start mode is selected and the WDT Control Register (WDTCR), WDT Reset Control Register (WDTRCR), and WDT Count Stop Control Register (WDTCSSTPR) are enabled.

After the reset state is released, set the following to Sleep mode in the WDTCSSTPR register:

- Clock division ratio
- Window start and end positions
- Timeout period in the WDTCR register
- Reset output or interrupt request output in the WDTRCR register
- Counter stop control during transition to Sleep mode in the WDTCSSTPR register.

Refresh the down-counter to start counting down from the value set in the Timeout Period Select bits (WDTCR.TOPS[1:0]).

Thereafter, as long as the counter is refreshed in the refresh-permitted period, the value in the counter is reset each time the counter is refreshed and counting down continues. The WDT does not output the reset signal as long as counting continues. However, if the down-counter underflows because the down-counter cannot be refreshed due to a program runaway, or if a refresh error occurs because the counter was refreshed outside the refresh-permitted period, the WDT outputs a reset signal or a non-maskable interrupt request/interrupt request (WDT_NMIUNDF). Reset output or interrupt request output can be selected in the WDT Reset Interrupt Request Select bit (WDTRCR.RSTIRQS). Non-maskable interrupt request or interrupt request can be selected in the WDT Underflow/Refresh Error Interrupt Enable bit (NMIER.WDTEN).

Figure 25.3 shows an example of operation under the following conditions:

- Register start mode (OFS0.WDTSTRT = 1)
- Reset output is enabled (WDTRCR.RSTIRQS = 1)
- The window start position is 75% (WDTCR.RPSS[1:0] = 10b)
- The window end position is 25% (WDTCR.RPES[1:0] = 10b).

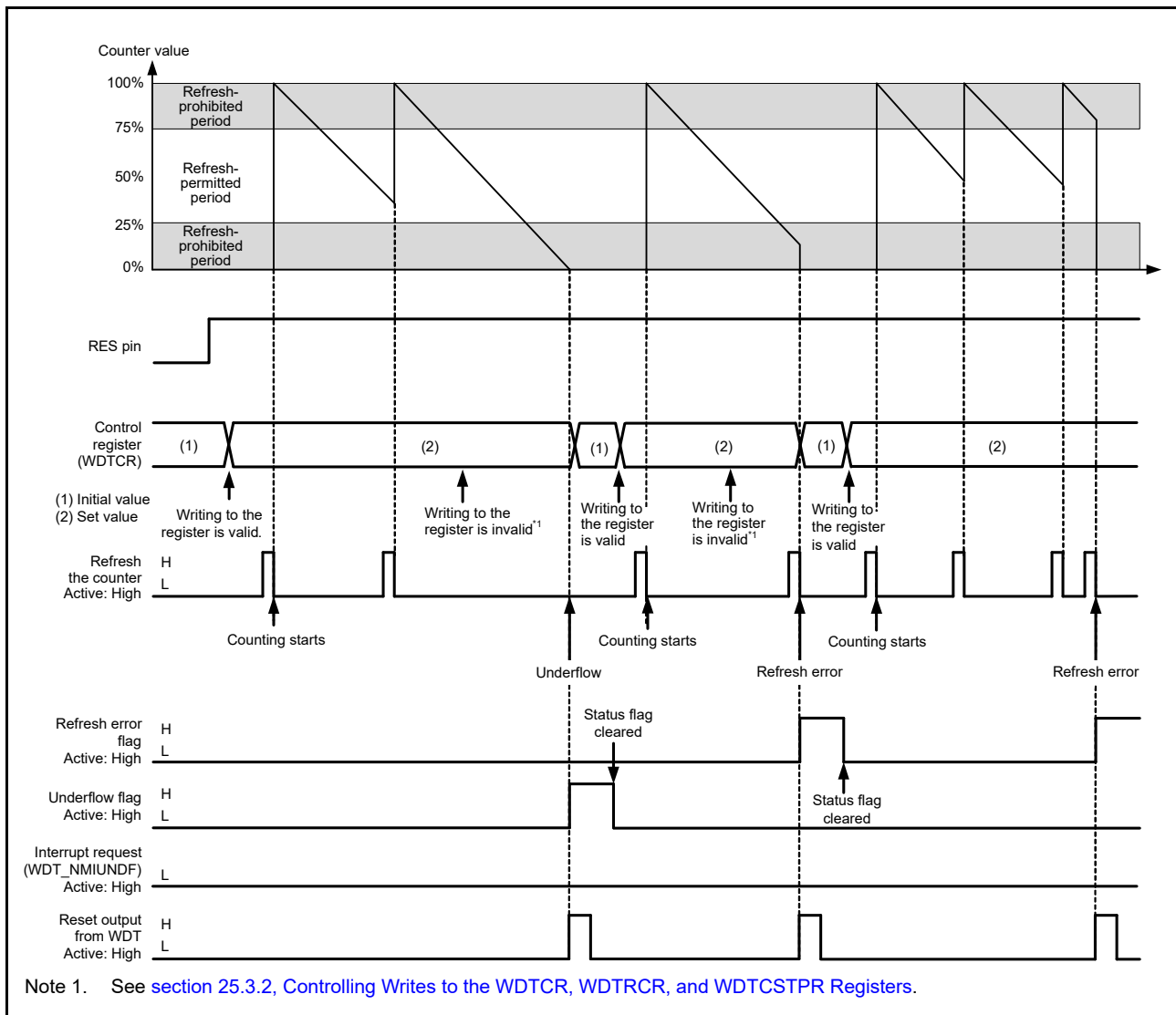


Figure 25.3 Operation example in register start mode

25.3.1.2 Auto-start mode

When the WDT Start Mode Select bit (OFS0.WDTSTRT) in the Option Function Select register 0 (OFS0) is 0, auto-start mode is selected. The WDT Control Register (WDTCR), WDT Reset Control Register (WDTRCR), and WDT Count Stop Control Register (WDTCTPR) are disabled while the settings in the OFS0 register are enabled.

Within the reset state, the following values in the Option Function Select register 0 (OFS0) are set in the WDT registers:

- Clock division ratio
- Window start and end positions
- Timeout period
- Reset output or interrupt request
- Counter stop control on transition to Sleep mode.

When the reset state is released, the down-counter automatically starts counting down from the value set in the WDT Timeout Period Select bits (OFS0.WDTPS[1:0]).

Thereafter, as long as the counter is refreshed in the refresh-permitted period, the value in the counter is reset each time the counter is refreshed and counting down continues. The WDT does not output the reset signal as long as counting continues.

However, if the down-counter underflows because refreshing of the down-counter is not possible due to a runaway program or if a refresh error occurs due to refreshing outside the refresh-permitted period, the WDT outputs a reset signal or non-maskable interrupt request/interrupt request (WDT_NMIUNDF).

After the reset signal or non-maskable interrupt request/interrupt request is generated, the counter reloads the timeout period after counting for 1 cycle. The value of the timeout period is set in the down-counter and counting restarts.

Reset output or interrupt request output can be selected in the WDT Reset Interrupt Request Select bit (OFS0.WDTRSTIRQS). Non-maskable interrupt request or interrupt request can be selected in the WDT Underflow/Refresh Error Interrupt Enable bit (NMIER.WDTEN).

Figure 25.4 shows an example of operation (non-maskable interrupt) under the following conditions:

- Auto-start mode (OFS0.WDTSTRT = 0)
- Non-maskable interrupt request output is enabled (OFS0.WDTRSTIRQS = 0)
- The window start position is 75% (WDTCR.RPSS[1:0] = 10b)
- The window end position is 25% (WDTCR.RPES[1:0] = 10b).

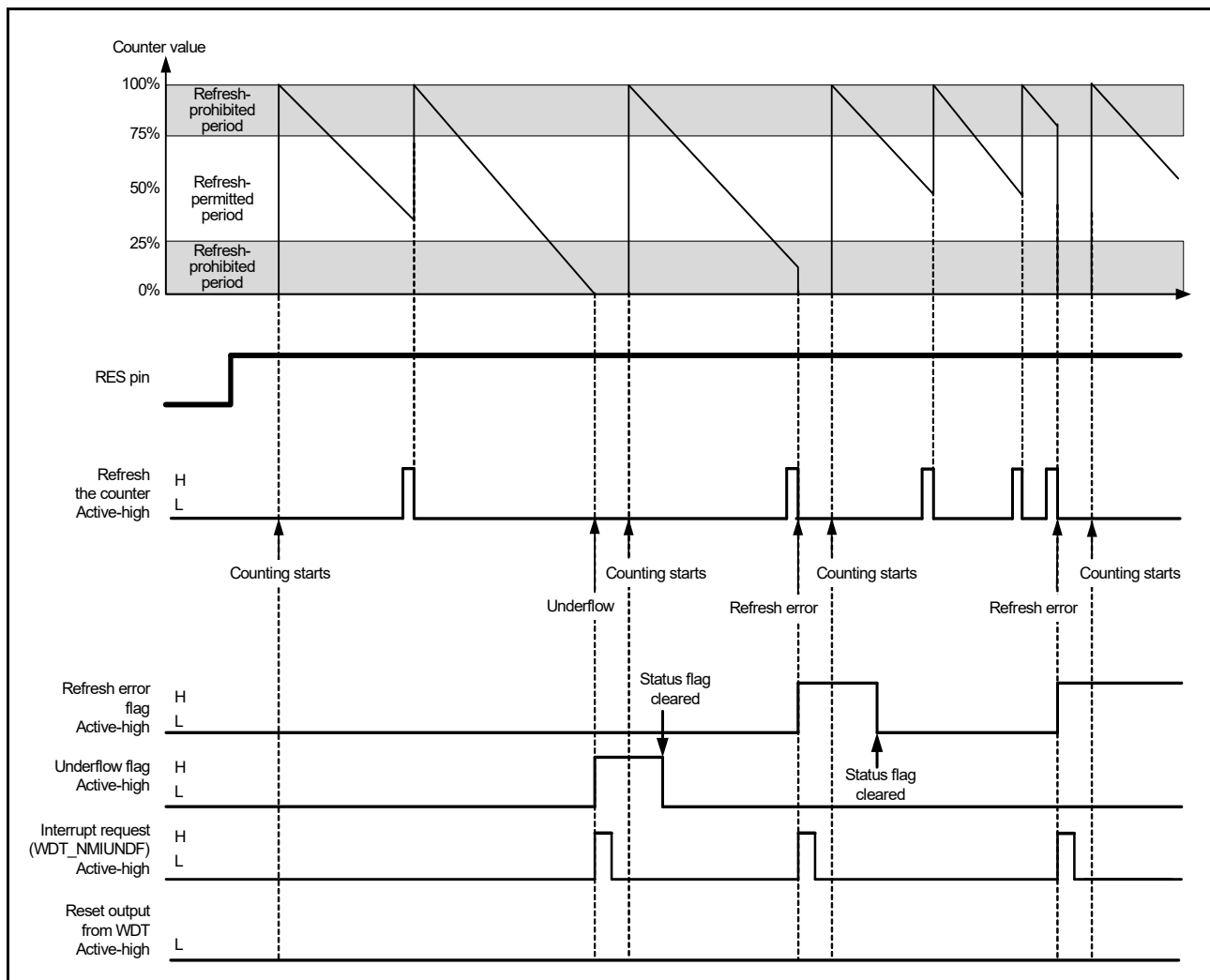


Figure 25.4 Operation example in auto-start mode

25.3.2 Controlling Writes to the WDTCR, WDTRCR, and WDTCSSTPR Registers

Writing to the WDT Control Register (WDTCR), WDT Reset Control Register (WDTRCR), or WDT Count Stop Control Register (WDTCSSTPR) is possible once between the release from the reset state and the first refresh operation.

After a refresh, (counting starts) or a write to WDTCR, WDTRCR or WDTCSSTPR, the protection signal in the WDT

becomes 1 to protect WDTCR, WDTRCR, and WDTCSPTPR against subsequent write attempts. This protection is released by a reset source of the WDT. With other reset sources, the protection is not released.

Figure 25.5 shows control waveforms produced in response to writing to the WDTCR.

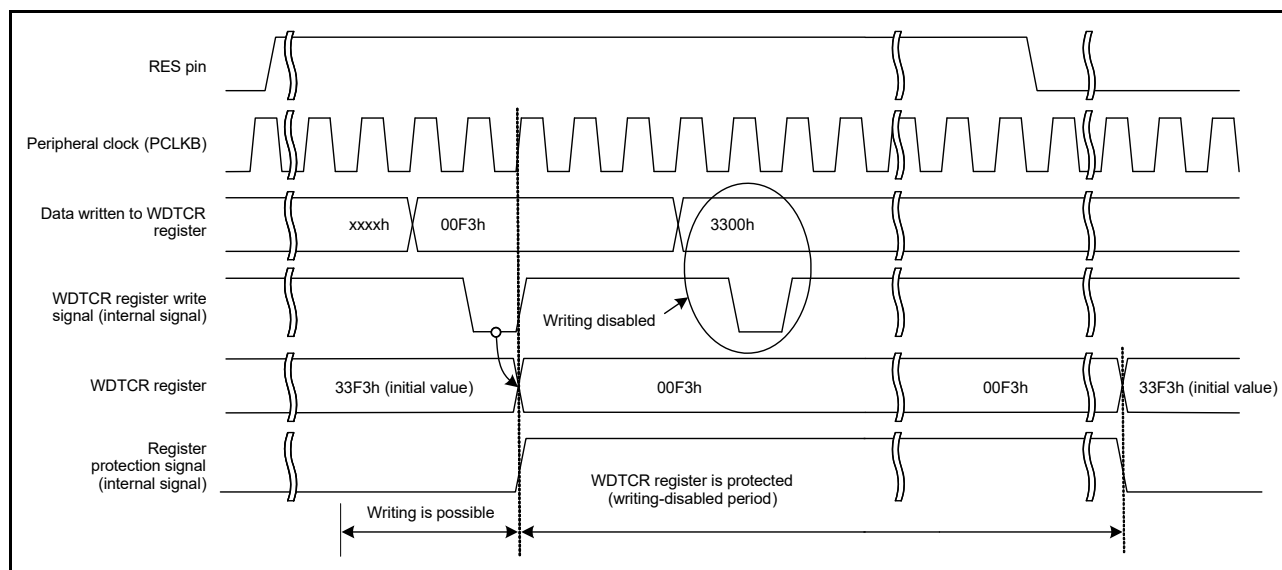


Figure 25.5 Control waveforms produced in response to writes to the WDTCR register

25.3.3 Refresh Operation

The down-counter is refreshed by writing the values 00h and FFh to the WDT Refresh Register (WDTRR). If a value other than FFh is written after 00h, the down-counter is not refreshed. If an invalid value is written, correct refreshing resumes by writing 00h and FFh to the WDTRR register.

Correct refreshing is also performed when a register other than WDTRR is accessed or when WDTRR is read between writing 00h and writing FFh to WDTRR.

Writes to refresh the counter must be made within the refresh-permitted period, and this is determined by writing FFh. For this reason, correct refreshing is performed even when 00h is written outside the refresh-permitted period.

[Example write sequences that are valid when refreshing the counter]

- 00h → FFh
- 00h ((n - 1)th time) → 00h (nth time) → FFh
- 00h → access to another register or read from WDTRR → FFh.

[Example write sequences that are invalid when refreshing the counter]

- 23h (a value other than 00h) → FFh
- 00h → 54h (a value other than FFh)
- 00h → AAh (00h and a value other than FFh) → FFh.

After FFh is written to the WDT Refresh Register (WDTRR), refreshing the down-counter requires up to 4 cycles of the signal for counting. To meet this requirement, complete writing FFh to WDTRR 4 count cycles before the down-counter underflows.

Figure 25.6 shows the WDT refresh-operation waveforms when the clock division ratio = PCLKB/64.

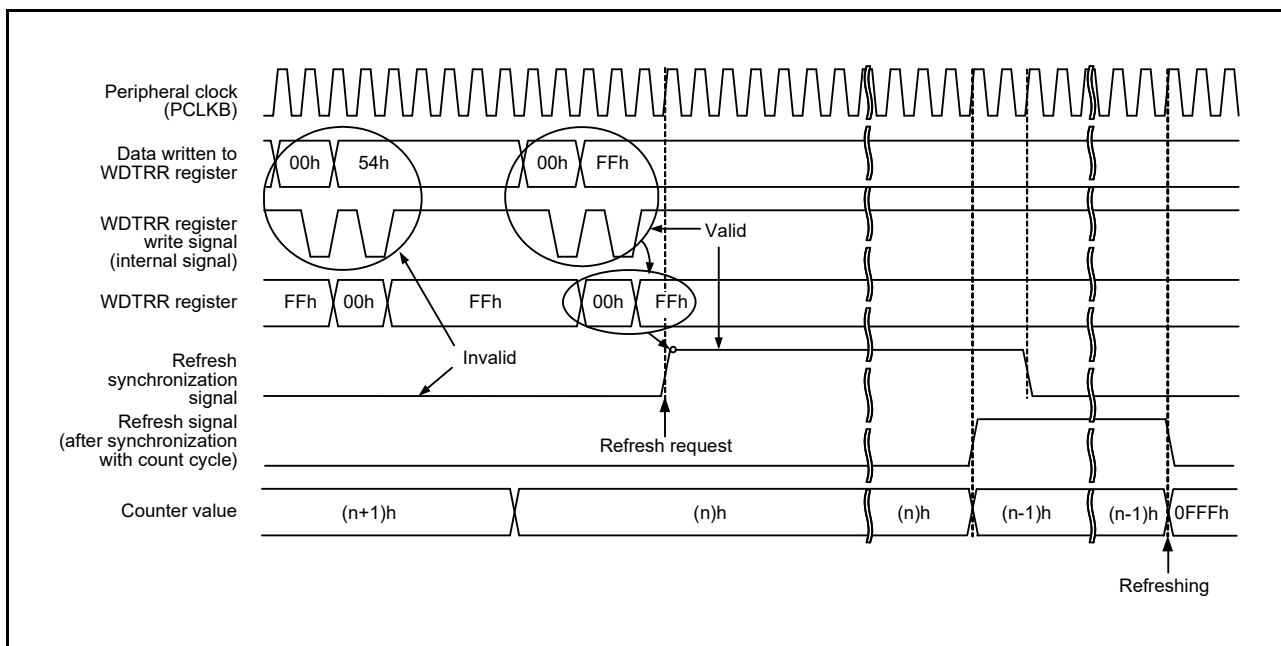


Figure 25.6 WDT refresh operation waveforms when WDTCR.CKS[3:0] = 0100b, WDTCR.TOPS[1:0] = 01b

25.3.4 Reset Output

When the Reset Interrupt Select bit (WDTRCR.RSTIRQS) is set to 1 in register start mode or when the WDT Reset Interrupt Request Select bit (OFS0.WDTRSTIRQS) in the Option Function Select register 0 (OFS0) is set to 1 in auto-start mode, a reset signal is output for 1 cycle count when an underflow in the down-counter or a refresh error occurs.

In register start mode, the down-counter is initialized (all bits set to 0) and stopped in that state after output of a reset signal. After the reset state is released and the program is restarted, the counter is set up and counting down starts again with a refresh. In auto-start mode, counting down automatically starts after the reset state is released.

25.3.5 Interrupt Sources

When the Reset Interrupt Select bit (WDTRCR.RSTIRQS) is set to 0 in register start mode or when the WDT Reset Interrupt Request Select bit (OFS0.WDTRSTIRQS) in the Option Function Select register 0 (OFS0) is set to 0 in auto-start mode, an interrupt (WDT_NMIUNDF) signal is generated when an underflow in the counter or a refresh error occurs. This interrupt can be used as a non-maskable interrupt or an interrupt. For details, see [section 13, Interrupt Controller Unit \(ICU\)](#).

Table 25.4 WDT interrupt sources

| Name | Interrupt source | DTC activation |
|-------------|-----------------------------------------|----------------|
| WDT_NMIUNDF | Down-counter underflow Refresh error | Not possible |

25.3.6 Reading the Down-Counter Value

The WDT stores the counter value in the down-counter value bits (WDTSR.CNTVAL[13:0]) of the WDT Status Register. Check these bits to obtain the counter value.

Figure 25.7 shows the processing for reading the WDT down-counter value when the clock division ratio is PCLKB/64.

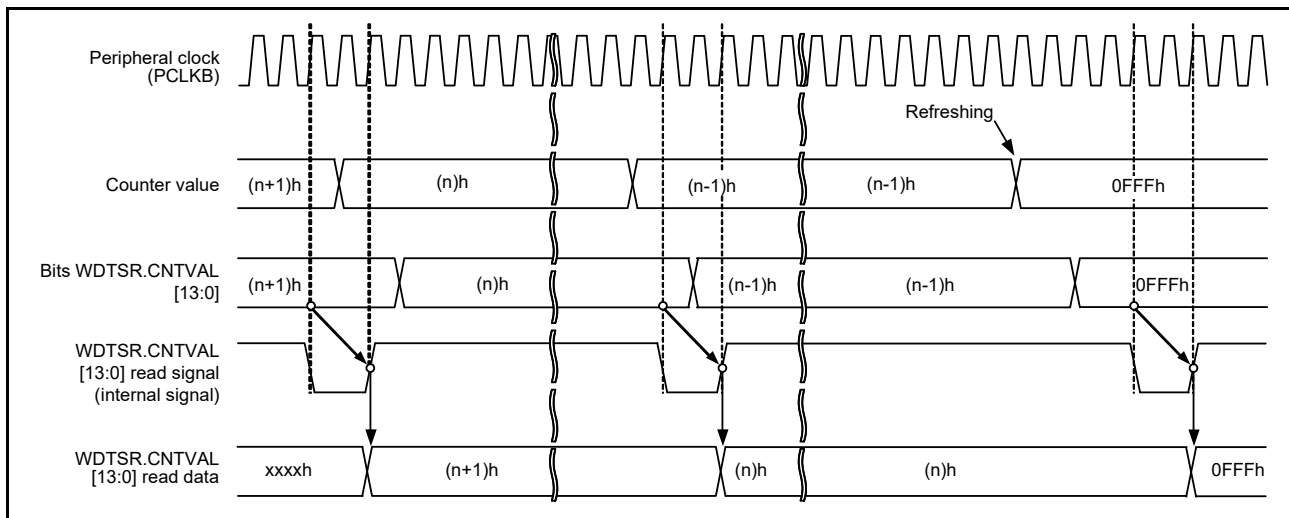


Figure 25.7 Read process for WDT down-counter value when $WDTCR.CKS[3:0] = 0100b$, $WDTCR.TOPS[1:0] = 01b$

25.3.7 Associations between Option Function Select Register 0 (OFS0) and WDT Registers

Table 25.5 lists the association between the Option Function Select register 0 (OFS0) used in auto-start mode and the registers used in register start mode. Do not change the OFS0 register setting during WDT operation. For details on the Option Function Select register 0 (OFS0), see [section 6.2.1, Option Function Select Register 0 \(OFS0\)](#).

Table 25.5 Association between Option Function Select register 0 (OFS0) and the WDT registers

| Control target | Function | OFS0 Register (enabled in auto-start mode) OFS0.WDTSTRT = 0 | WDT Registers (enabled in register start mode) OFS0.WDTSTRT = 1 |
|------------------------------------------|----------------------------------------------------|-------------------------------------------------------------------|-----------------------------------------------------------------------|
| Down-counter | Timeout period selection | OFS0.WDTTOPS[1:0] | WDTCR.TOPS[1:0] |
| | Clock division ratio selection | OFS0.WDTCKS[3:0] | WDTCR.CKS[3:0] |
| | Window start position selection | OFS0.WDTRPSS[1:0] | WDTCR.RPSS[1:0] |
| | Window end position selection | OFS0.WDTRPES[1:0] | WDTCR.RPES[1:0] |
| Reset output or interrupt request output | Reset output or interrupt request output selection | OFS0.WDTRSTIRQS | WDTCCR.RSTIRQS |
| Count stop | Sleep-mode count stop control | OFS0.WDTSTPCTL | WDTCSTPR.SLCSTP |

25.4 Link Operation by ELC

The WDT is capable of a link operation for the previously specified module when interrupt request signal is used as an event signal by the ELC. The event signal is output by the counter underflow and refresh error.

An event signal is output regardless of the setting of the Reset Interrupt Request Select bit (WDTCCR.RSTIRQS) in register start mode or auto-start mode. An event signal can also be output when the next interrupt source is generated and while the Refresh Error Flag (WDTSR.REFEF) or Underflow Flag (WDTSR.UNDF) is 1. For details, see [section 18, Event Link Controller \(ELC\)](#).

25.5 Usage Notes

25.5.1 ICU Event Link Setting Register n (IELSRn) Setting

Setting 25h to the ICU Event Link Setting Register n (IELSRn.IELS[7:0]) is prohibited when enabling the WDT reset assertion ($OFS0.WDTRSTIRQS = 1$ or $WDTCCR.RSTIRQS = 1$) or when enabling the event link operation ($ELSRm.ELS[7:0] = 25h$).

26. Independent Watchdog Timer (IWDT)

26.1 Overview

The Independent Watchdog Timer (IWDT) consists of a 14-bit down counter that must be serviced periodically to prevent counter underflow. The IWDT provides functionality to reset the MCU or to generate a non-maskable interrupt/interrupt on a timer underflow. Because the timer operates using an independent, dedicated clock source, it is particularly useful in returning the MCU to a known state as a failsafe mechanism when the system runs out of control. The IWDT can be triggered automatically by a reset, underflow, refresh error, or a refresh of the count value in the registers.

The IWDT functions are different from those of the WDT in the following respects:

- The divided IWDT-dedicated clock (IWDTCLK) is used as the count source (not affected by the PCLKB)
- IWDT does not support the register start mode
- When transitioning to low power mode, the OFS0.IWDTSTPCTL bit can be used to select whether to stop the counter or not.

Table 26.1 lists the IWDT specifications and Figure 26.1 shows the block diagram.

Table 26.1 IWDT specifications

| Parameter | Description |
|------------------------------------------|---------------------------------------------------------------------------------------------------------------------------------------------------------------------------------------------------------------------------------------------------------------------------------------------------------------------------------------------------------------------------------------------------------------------------------------------------------------------------------------------------------------------------------------------------------------------------------------------------------------------------------------------------------------------------------------------------|
| Count source*1 | IWDT-dedicated clock (IWDTCLK) |
| Clock division ratio | Division by 1, 16, 32, 64, 128, or 256 |
| Counter operation | Counting down using a 14-bit down-counter |
| Condition for starting the counter | Counting automatically starts after a reset |
| Conditions for stopping the counter | <ul style="list-style-type: none"> • Reset (the down-counter and other registers return to their initial values) • A counter underflows or a refresh error is generated (counting restarts automatically). |
| Window function | Window start and end positions can be specified (refresh-permitted and refresh-prohibited periods) |
| Reset output sources | <ul style="list-style-type: none"> • Down-counter underflows • Refreshing outside the refresh-permitted period (refresh error). |
| Non-maskable interrupt/interrupt sources | <ul style="list-style-type: none"> • Down-counter underflows • Refreshing outside the refresh-permitted period (refresh error). |
| Reading the counter value | The down-counter value can be read by the IWDTSR register |
| Event link function (output) | <ul style="list-style-type: none"> • Down-counter underflow event output • Refresh error event output. |
| Output signal (internal signal) | <ul style="list-style-type: none"> • Reset output • Interrupt request output • Sleep-mode count stop control output. |
| Auto-start mode | <ul style="list-style-type: none"> • Selecting the clock frequency division ratio after a reset (OFS0.IWDTCKS[3:0] bits) • Selecting the timeout period of the independent watchdog timer (OFS0.IWDTTOPS[1:0] bits) • Selecting the window start position in the independent watchdog timer (OFS0.IWDRPSS[1:0] bits) • Selecting the window end position in the independent watchdog timer (OFS0.IWDRPES[1:0] bits) • Selecting the reset output or interrupt request output (OFS0.IWDRSTIRQS bit) • Selecting the down-count stop function at transition to Sleep mode, Software Standby mode, or Snooze mode (OFS0.IWDTSTPCTL bit). |

Note 1. Satisfy the frequency of the peripheral module clock (PCLKB) $\geq 4 \times$ (the frequency of the count clock source after division).

To use the IWDT, supply the IWDT-dedicated clock (IWDTCLK). The bus interface and registers operate with PCLKB, and the 14-bit counter and control circuits operate with IWDTCLK.

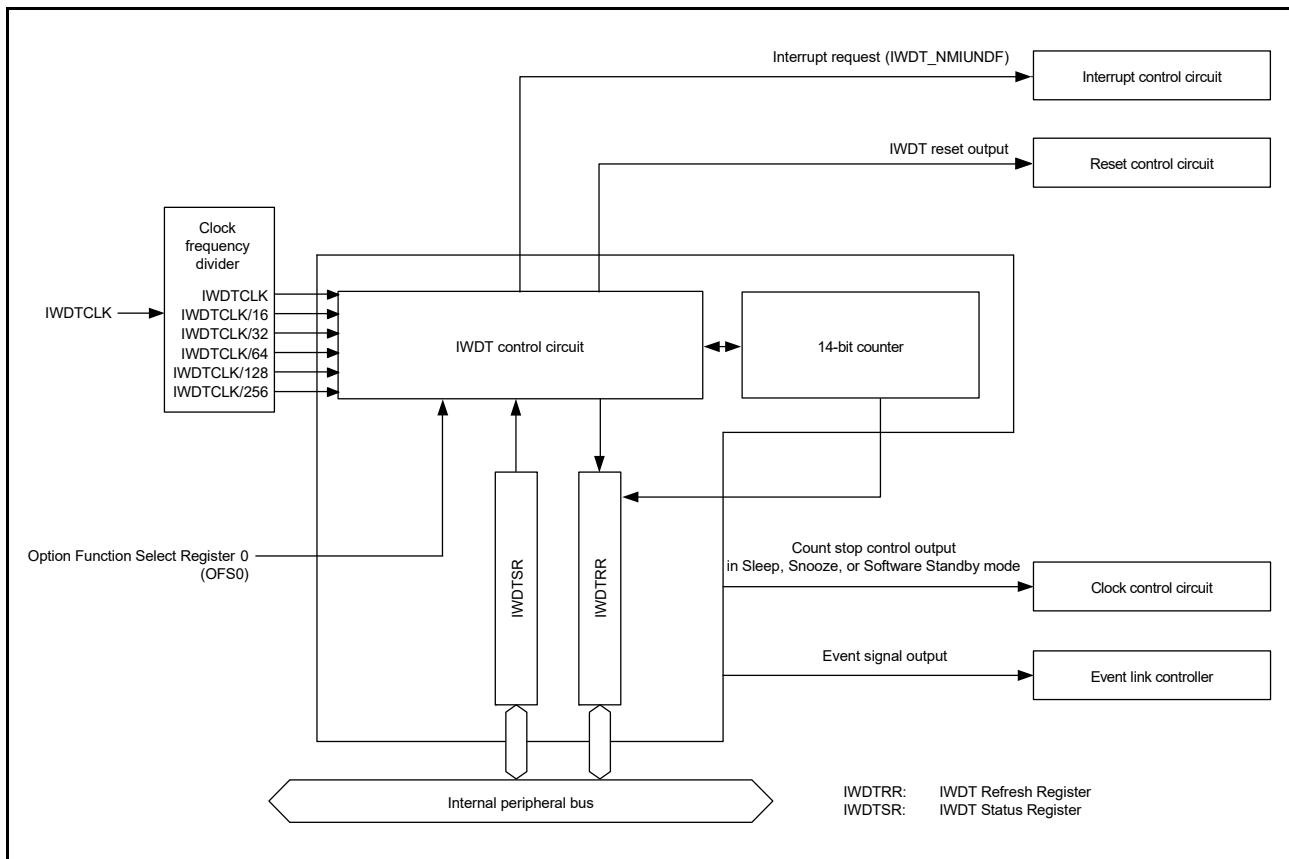
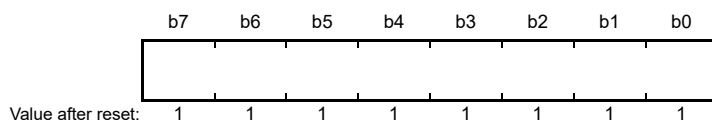


Figure 26.1 IWDT block diagram

26.2 Register Descriptions

26.2.1 IWDT Refresh Register (IWDTRR)

Address(es): IWDTRR 4004 4400h



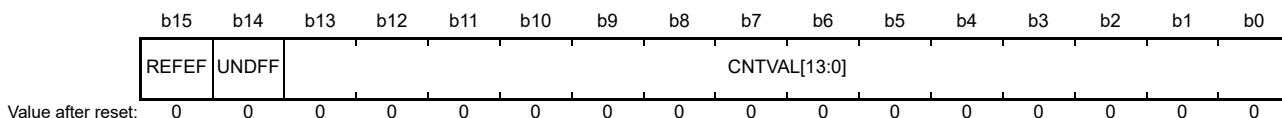
| Bit | Description | R/W |
|----------|-------------------------------------------------------------------------------|-----|
| b7 to b0 | The counter is refreshed by writing 00h and then writing FFh to this register | R/W |

The IWDTRR register refreshes the down-counter of the IWDT. The down-counter of the IWDT is refreshed by writing 00h and then writing FFh to IWDTRR (refresh operation) within the refresh-permitted period. After the down-counter is refreshed, it starts counting down from the value selected with the IWDT timeout period select bits (OFS0.IWDTTOPS[1:0]) in the Option Function Select Register 0 (OFS0).

When 00h is written, the read value is 00h. When a value other than 00h is written, the read value is FFh. See [section 26.3.2, Refresh Operation](#) for details on the refresh operation.

26.2.2 IWDT Status Register (IWDTSR)

Address(es): IWDT.IWDTSR 4004 4404h



| Bit | Symbol | Bit name | Description | R/W |
|-----------|--------------|--------------------|-------------------------------------------------------------|---------|
| b13 to b0 | CNTVAL[13:0] | Counter Value | Value counted by the down-counter | R |
| b14 | UNDF | Underflow Flag | 0: Underflow not occurred 1: Underflow occurred. | R/(W)*1 |
| b15 | REFEF | Refresh Error Flag | 0: Refresh error not occurred 1: Refresh error occurred. | R/(W)*1 |

Note 1. Only 0 can be written to clear the flag.

CNTVAL[13:0] bits (Counter Value)

Read the CNTVAL[13:0] bits to confirm the value of the down-counter. The read value might differ from the actual count by 1.

UNDF flag (Underflow Flag)

Read the UNDF flag to confirm whether an underflow occurred in the down-counter. The value 1 indicates that the down-counter underflowed. Write 0 to the UNDF flag to set the value to 0. Writing 1 has no effect.

Clearing of the UNDF flag takes (N+2) IWDTCLK cycles and 2 PCLKB cycles. In addition, clearing of the flag is ignored for (N+2) IWDTCLK cycles after an underflow. N is specified by the IWDTCKS[3:0] bits as follows:

- When IWDTCKS[3:0] = 0000b, N = 1
- When IWDTCKS[3:0] = 0010b, N = 16
- When IWDTCKS[3:0] = 0011b, N = 32
- When IWDTCKS[3:0] = 0100b, N = 64
- When IWDTCKS[3:0] = 1111b, N = 128
- When IWDTCKS[3:0] = 0101b, N = 256.

REFEF flag (Refresh Error Flag)

Read the REFEF flag to confirm whether a refresh error occurred. The value 1 indicates that a refresh error occurred. Write 0 to the REFEF flag to set the value to 0. Writing 1 has no effect.

Clearing of the REFEF flag takes (N+2) IWDTCLK cycles and 2 PCLKB cycles. In addition, clearing of this flag is ignored for (N+2) IWDTCLK cycles after a refresh error. N is specified by the IWDTCKS[3:0] bits as follows:

- When IWDTCKS[3:0] = 0000b, N = 1
- When IWDTCKS[3:0] = 0010b, N = 16
- When IWDTCKS[3:0] = 0011b, N = 32
- When IWDTCKS[3:0] = 0100b, N = 64
- When IWDTCKS[3:0] = 1111b, N = 128
- When IWDTCKS[3:0] = 0101b, N = 256.

26.2.3 Option Function Select Register 0 (OFS0)

For information on the Option Function Select Register 0 (OFS0), see [section 6.2.1, Option Function Select Register 0 \(OFS0\)](#).

IWDTTOPS[1:0] bits (IWDT Timeout Period Select)

The IWDTTOPS[1:0] bits select the timeout period, that is, the period until the down-counter underflows from 128, 512, 1024, or 2048 cycles, taking the divided clock specified by the IWDTCKS[3:0] bits as 1 cycle.

After the down-counter is refreshed, the combination of the IWDTCKS[3:0] and IWDTTOPS[1:0] bits determines the number of IWDTCLK cycles until the counter underflows.

[Table 26.2](#) lists the relationship between the IWDTCKS[3:0] and IWDTTOPS[1:0] bit settings, the timeout period, and the number of IWDTCLK cycles.

Table 26.2 Timeout period settings

| IWDTCKS[3:0] bits | | | | IWDTTOPS[1:0] bits | | Clock division ratio | Timeout period (number of cycles) | IWDTCLK clock cycles |
|-------------------|----|----|----|--------------------|----|----------------------|--------------------------------------|-------------------------|
| b7 | b6 | b5 | b4 | b1 | b0 | | | |
| 0 | 0 | 0 | 0 | 0 | 0 | IWDTCLK | 128 | 128 |
| | | | | 0 | 1 | | 512 | 512 |
| | | | | 1 | 0 | | 1024 | 1024 |
| | | | | 1 | 1 | | 2048 | 2048 |
| 0 | 0 | 1 | 0 | 0 | 0 | IWDTCLK/16 | 128 | 2048 |
| | | | | 0 | 1 | | 512 | 8192 |
| | | | | 1 | 0 | | 1024 | 16384 |
| | | | | 1 | 1 | | 2048 | 32768 |
| 0 | 0 | 1 | 1 | 0 | 0 | IWDTCLK/32 | 128 | 4096 |
| | | | | 0 | 1 | | 512 | 16384 |
| | | | | 1 | 0 | | 1024 | 32768 |
| | | | | 1 | 1 | | 2048 | 65536 |
| 0 | 1 | 0 | 0 | 0 | 0 | IWDTCLK/64 | 128 | 8192 |
| | | | | 0 | 1 | | 512 | 32768 |
| | | | | 1 | 0 | | 1024 | 65536 |
| | | | | 1 | 1 | | 2048 | 131072 |
| 1 | 1 | 1 | 1 | 0 | 0 | IWDTCLK/128 | 128 | 16384 |
| | | | | 0 | 1 | | 512 | 65536 |
| | | | | 1 | 0 | | 1024 | 131072 |
| | | | | 1 | 1 | | 2048 | 262144 |
| 0 | 1 | 0 | 1 | 0 | 0 | IWDTCLK/256 | 128 | 32768 |
| | | | | 0 | 1 | | 512 | 131072 |
| | | | | 1 | 0 | | 1024 | 262144 |
| | | | | 1 | 1 | | 2048 | 524288 |

IWDTCKS[3:0] bits (IWDT-Dedicated Clock Frequency Division Ratio Select)

The IWDTCKS[3:0] bits specify the division ratio of the clock used for the down-counter. The division ratio can be selected from the IWDT-dedicated clock (IWDTCLK) divided by 1, 16, 32, 64, 128, and 256. Combination with the IWDTTOPS[1:0] bit setting, a count period between 128 and 524288 cycles of the IWDTCLK clock can be selected for the IWDT.

IWDTRPES[1:0] bits (IWDT Window End Position Select)

The IWDTRPES[1:0] bits specify the window end position that indicates the refresh-permitted period. 75%, 50%, 25%,

or 0% of the timeout period can be selected for the window end position. The selected window end position should be a value smaller than the window start position. If the window end position is greater than the window start position, only the window start position setting is enabled.

IWDTRPSS[1:0] bits (IWDT Window Start Position Select)

The IWDTRPSS[1:0] bits specify the window start position that indicates the refresh-permitted period. 100%, 75%, 50%, or 25% of the timeout period can be selected for the window start position. The window start position should be a value greater than the value for the window end position. If the window start position is smaller than or equal to the window end position, the window end position is set to 0%.

Table 26.3 lists the counter values for the window start and end positions and Figure 26.2 shows the refresh-permitted period set in the IWDTRPSS[1:0], IWDTRPES[1:0], and IWDTTOPS[1:0] bits.

Table 26.3 Relationship between timeout period and window start and end counter values

| IWDTTOPS[1:0] bits | | Timeout period | | Window start and end counter value | | | |
|--------------------|----|----------------|---------------|------------------------------------|-------|-------|-------|
| b1 | b0 | Cycles | Counter value | 100% | 75% | 50% | 25% |
| 0 | 0 | 128 | 007Fh | 007Fh | 005Fh | 003Fh | 001Fh |
| 0 | 1 | 512 | 01FFh | 01FFh | 017Fh | 00FFh | 007Fh |
| 1 | 0 | 1024 | 03FFh | 03FFh | 02FFh | 01FFh | 00FFh |
| 1 | 1 | 2048 | 07FFh | 07FFh | 05FFh | 03FFh | 01FFh |

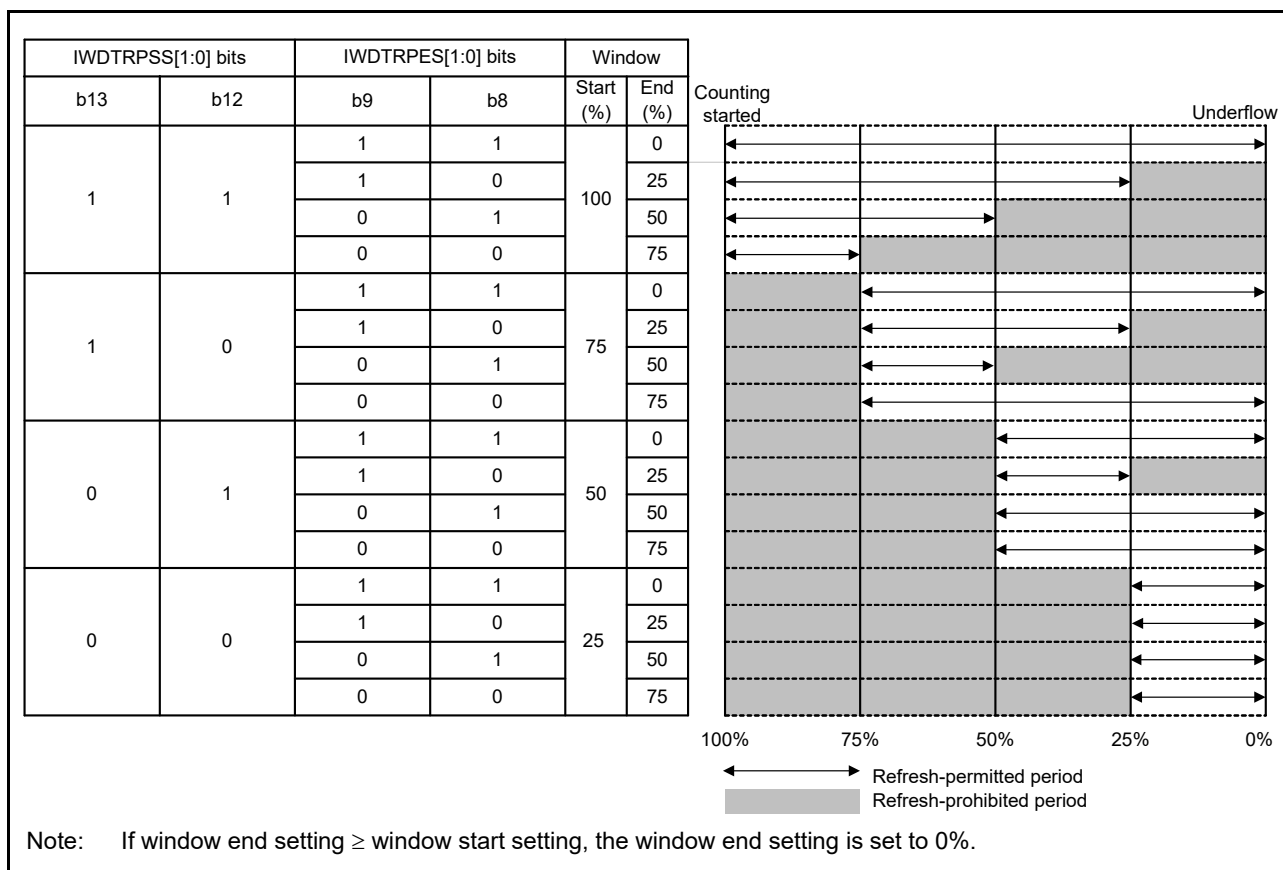


Figure 26.2 IWDTRPSS[1:0] and [IWDTRPES[1:0] bit settings and refresh-permitted period

IWDTRSTIRQS bit (IWDT Reset Interrupt Request Select)

The IWDTRSTIRQS bit specifies the behavior when an underflow or a refresh error occurred. The value 1 indicates that reset output is selected. The value 0 indicates that a non-maskable interrupt/interrupt is selected.

IWDTSTPCTL bit (IWDT Stop Control)

The IWDTSTPCTL bit selects whether to stop counting on transition to Sleep, Snooze, or Software Standby mode.

26.3 Operation

26.3.1 Auto-Start Mode

When the IWDT start mode select bit (OFS0.IWDTSTRT) in the Option Function Select Register 0 is 0, auto-start mode is selected, otherwise IWDT is disabled.

Within the reset state, the setting values for the following in the Option Function Select Register 0 (OFS0) are set in the IWDT registers:

- Clock division ratio
- Window start and end positions
- Timeout period
- Reset output or interrupt request
- Counter stop control at transitions to low power mode.

When the reset state is released, the counter automatically starts counting down from the value selected by the IWDT timeout period select bits (OFS0.IWDTTOPS[1:0]).

After that, as long as the program continues normal operation and the counter is refreshed within the refresh-permitted period, the value in the counter is reset each time the counter is refreshed and counting down continues. The IWDT does not output the reset signal as long as this procedure continues. However, if the counter underflows because the program crashed or because a refresh error occurred when an attempt is made to refresh outside the refresh-permitted period, the IWDT asserts the reset signal or non-maskable interrupt request/interrupt request (IWDT_NMIUNDF).

After the reset signal or non-maskable interrupt request/interrupt request is generated, the counter reloads the timeout period after counting for 1 cycle, and restarts the count. The reset output or interrupt request can be selected with the IWDT Reset Interrupt Request Select bit (OFS0.IWDRSTIRQS). Non-maskable interrupt request or interrupt request can be selected with the IWDT Underflow/Refresh Error Interrupt Enable bit (NMIER.IWDTEN).

Figure 26.3 shows an example of operation under the following conditions:

- Auto-start mode (OFS0.IWDTSTRT = 0)
- Non-maskable interrupt request output is enabled (OFS0.IWDRSTIRQS = 0)
- The window start position is 75% (OFS0.IWDRPSS[1:0] = 10b)
- The window end position is 25% (OFS0.IWDRPES[1:0] = 10b).

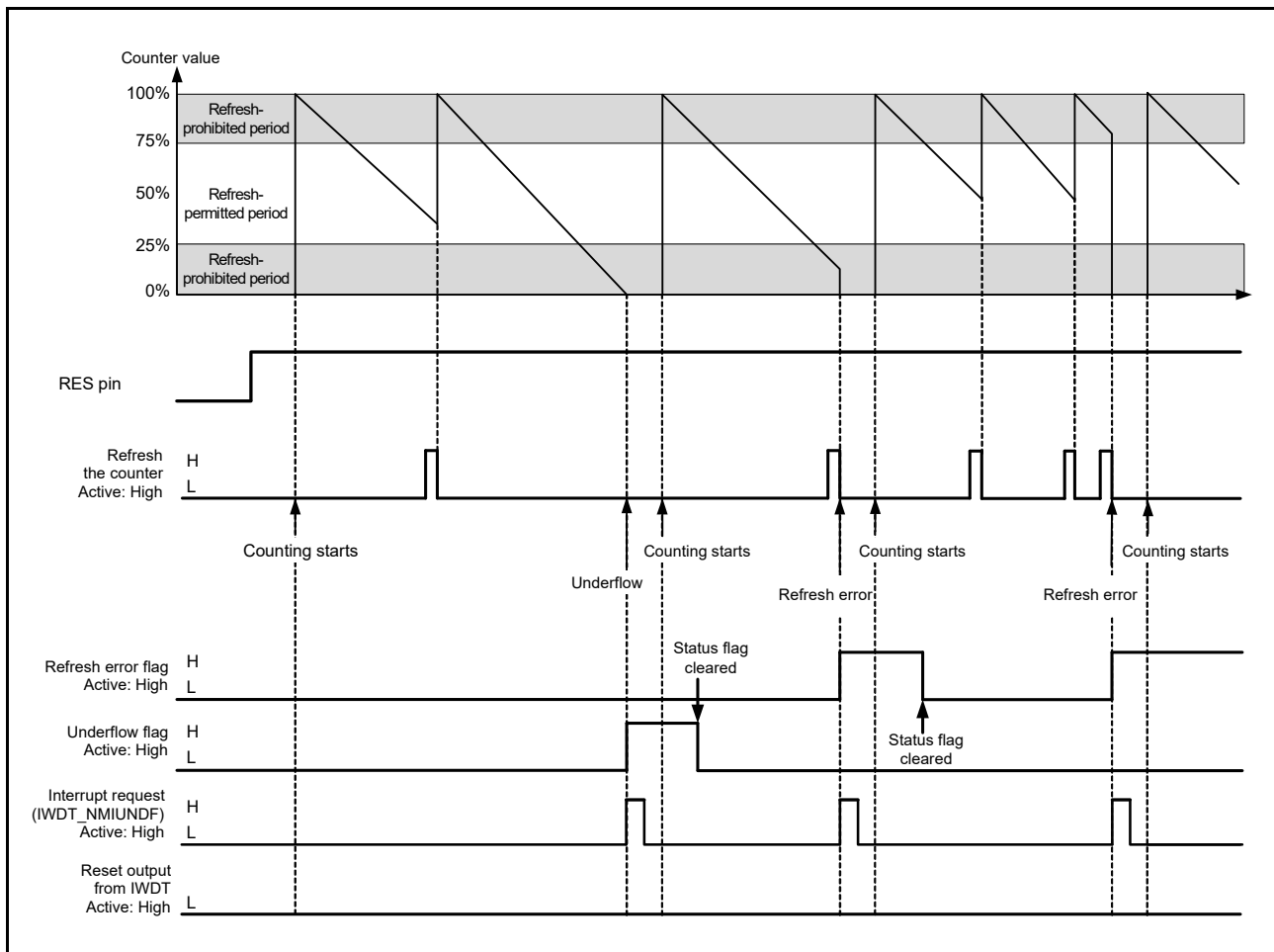


Figure 26.3 Operation example in auto-start mode

26.3.2 Refresh Operation

The down-counter is refreshed and operation starts (counting is started by refreshing) by writing the values 00h and FFh to the IWDT Refresh Register (IWDTRR). If a value other than FFh is written after 00h, the down-counter is not refreshed. If an invalid value is written, correct refreshing resumes on a write to 00h and FFh to the IWDTRR.

When writes are made in the order of 00h (first time) → 00h (second time), and if FFh is written after that, the writing order 00h → FFh is satisfied. Writing 00h ((n-1)th time) → 00h (nth time) → FFh is valid, and the refresh is performed correctly. Even when the first value written before 00h is not 00h, correct refreshing is performed as long as the operation contains the write sequence of 00h → FFh.

Correct refreshing is also performed when a register other than IWDTRR is accessed or IWDTRR is read between writing 00h and writing FFh to IWDTRR.

[Example write sequences that are valid to refresh the counter]

- 00h → FFh
- 00h (n-1th time) → 00h (nth time) → FFh
- 00h → access to another register or read from IWDTRR → FFh.

[Example write sequences that are not valid to refresh the counter]

- 23h (a value other than 00h) → FFh
- 00h → 54h (a value other than FFh)
- 00h → AAh (00h and a value other than FFh) → FFh.

When 00h is written to IWDTRR outside the refresh-permitted period, if FFh is written to IWDTRR in the refresh-permitted period, the writing sequence is valid and refreshing completes.

After FFh is written to the IWDTRR register, refreshing the counter requires up to 4 cycles of the signal for counting (the IWDT-dedicated clock frequency division ratio select bits (OFS0.IWDTCKS[3:0]) determine how many cycles of the IWDT-dedicated clock (IWDTCLK) make up 1 cycle for counting). Therefore, writing FFh to the IWDTRR must be completed four count cycles before the end of the refresh-permitted period or a counter underflow. The value of the counter can be checked with the counter bits (IWDTSR.CNTVAL[13:0]).

[Example refreshing timings]

- When the window start position is set to 1FFFh, even if 00h is written to IWDTRR before 1FFFh is reached (2002h, for example), refreshing occurs if FFh is written to IWDTRR after the value of the IWDTSR.CNTVAL[13:0] bits reaches 1FFFh.
- When the window end position is set to 1FFFh, refreshing occurs if 2003h (4 count cycles before 1FFFh) or a greater value is read from the IWDTSR.CNTVAL[13:0] bits immediately after writing 00h → FFh to IWDTRR.
- When the refresh-permitted period continues until count 0000h, refreshing can be performed immediately before an underflow. In this case, if 0003h (4 count cycles before an underflow) or a greater value is read from the IWDTSR.CNTVAL[13:0] bits immediately after writing 00h → FFh to IWDTRR, no underflow occurs and refreshing is performed.

Figure 26.4 shows the IWDT refresh-operation waveforms when PCLKB > IWDTCLK and the clock division ratio is IWDTCLK.

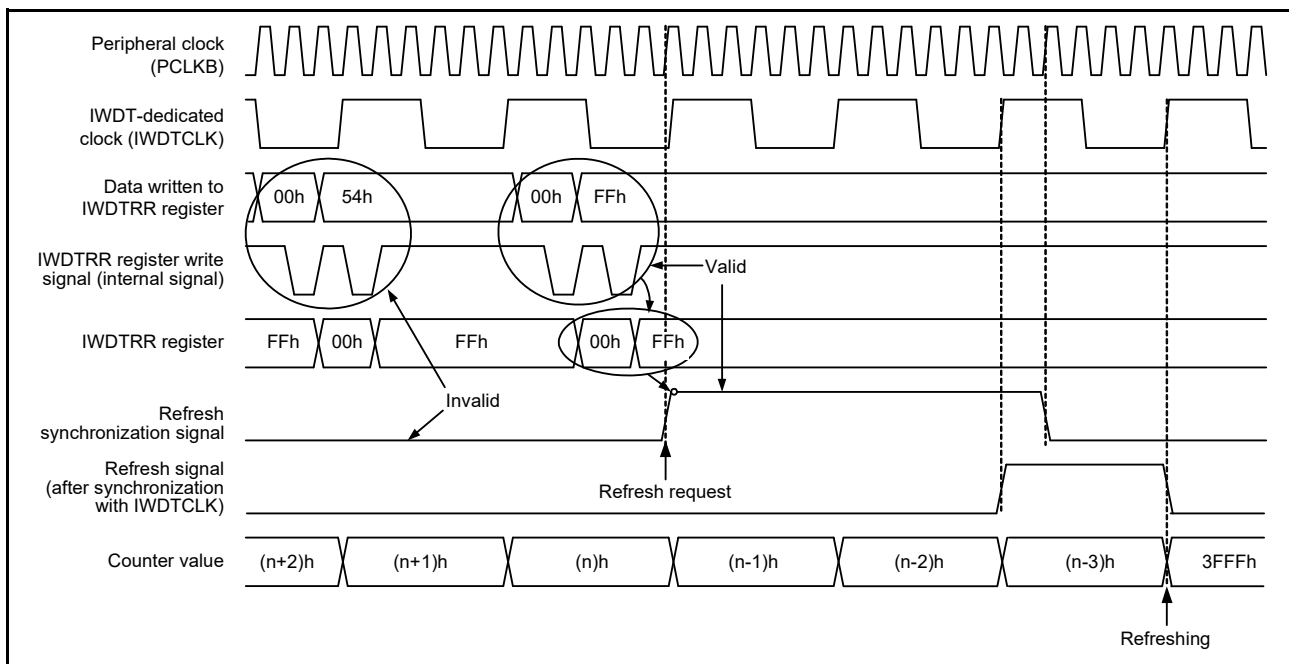


Figure 26.4 IWDT refresh operation waveforms when OFS0.IWDTCKS[3:0] = 0000b, OFS0.IWDTTOPS[1:0] = 11b

26.3.3 Status Flags

The refresh error (IWDTSR.REFEF) and underflow (IWDTSR.UNDF) flags retain the source of the reset signal output or the source of the interrupt request from the IWDT. Therefore, after a release from the reset state or interrupt request generation, read the IWDTSR.REFEF and UNDF flags to check for the reset or interrupt source. For each flag, writing 0 clears the bit and writing 1 has no effect.

Leaving the status flags unchanged does not affect operation. If the flags are not cleared at the time of the next reset or interrupt request from the IWDT, the earlier reset or interrupt source is cleared and the new reset or interrupt source is written. After 0 is written to each flag, up to 3 IWDTCLK cycles and 2 PCLKB cycles are required before the value is reflected.

26.3.4 Reset Output

When the IWDT reset interrupt request select bit (OFS0.IWDTRSTIRQS) in the Option Function Select Register 0 (OFS0) is set to 1, a reset signal is output when an underflow in the counter or a refresh error occurs. Counting down automatically starts after the reset output.

26.3.5 Interrupt Sources

When the IWDT Reset Interrupt Request Select bit (OFS0.IWDTRSTIRQS) in the Option Function Select register 0 (OFS0) is set to 0, an interrupt (IWDT_NMIUNDF) signal is generated when an underflow in the counter or a refresh error occurs. This interrupt can be used as a non-maskable interrupt or an interrupt. For details, see [section 13, Interrupt Controller Unit \(ICU\)](#).

Table 26.4 IWDT interrupt source

| Name | Interrupt source | DTC activation |
|--------------|-----------------------------------------|----------------|
| IWDT_NMIUNDF | Down-counter underflow Refresh error | Not possible |

26.3.6 Reading the Down-counter Value

As the counter in IWDT-dedicated clock (IWDTCLK), the counter value cannot be read directly. The IWDT synchronizes the counter value with the peripheral clock (PCLKB) and stores it in the down-counter value bits (IWDTSR.CNTVAL[13:0]) of the IWDT status register. Therefore, the counter value can be checked indirectly through the IWDTSR.CNTVAL[13:0] bits.

Reading the counter value requires multiple PCLKB clock cycles (up to 4 clock cycles), and the read counter value might differ from the actual counter value by a value of one count.

[Figure 26.5](#) shows the processing for reading the IWDT counter value when $PCLKB > IWDTCLK$ and the clock division ratio is IWDTCLK.

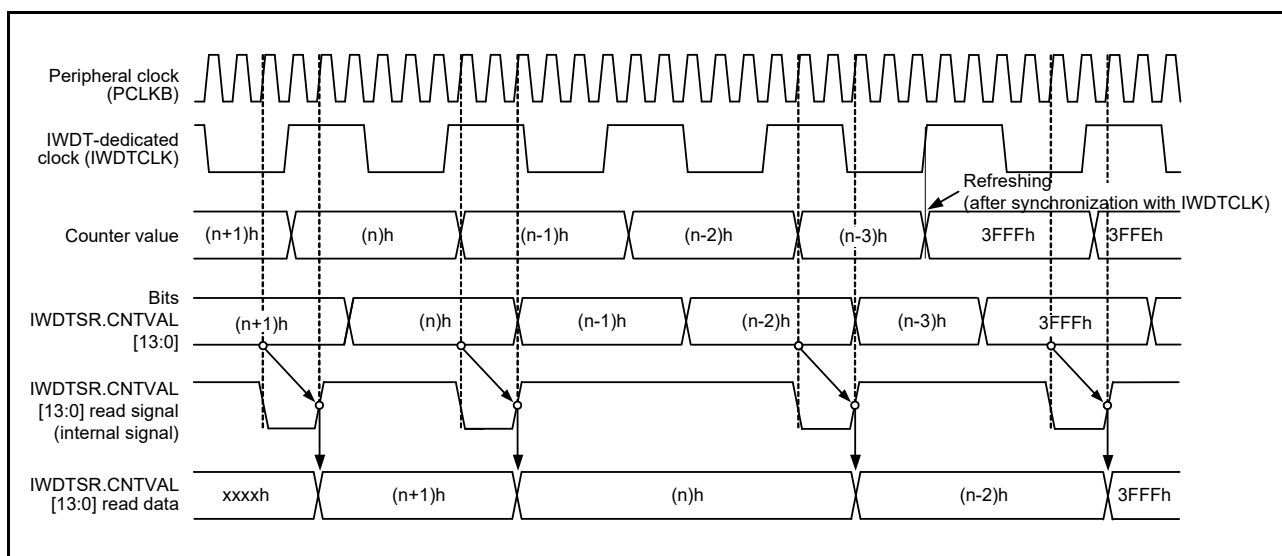


Figure 26.5 Processing for reading IWDT counter value when OFS0.IWDTCKS[3:0] = 0000b, OFS0.IWDTTOPS[1:0] = 11b

26.4 Link Operation by ELC

The IWDT is capable of link operation for a specified module when the interrupt request signal is used as an event signal by the event link controller (ELC). The event signal is output by the counter underflow and refresh error.

An event signal is output regardless of the setting of the OFS0.WDTRSTIRQS bit. An event signal can also be output at generation of the next interrupt source while the Refresh Error flag (IWDTSR.REFEEF) or Underflow flag (IWDTSR.UNDFE) is 1. For details, see [section 18, Event Link Controller \(ELC\)](#).

26.5 Usage Notes

26.5.1 Refresh Operations

While configuring the refresh time, consider variations in the range of errors given the accuracy of PCLKB and IWDTCLK. Set values that ensure refreshing is possible.

26.5.2 Clock Division Ratio Setting

Satisfy the frequency of the peripheral module clock (PCLKB) $\geq 4 \times$ (the frequency of the count clock source after division).

27. USB 2.0 Full-Speed Module (USBFS)

27.1 Overview

The MCU provides a USB 2.0 Full-Speed module (USBFS) that operates as a host or device controller compliant with the Universal Serial Bus (USB) specification revision 2.0. The host controller supports USB 2.0 full-speed and low-speed transfers, and the device controller supports USB 2.0 full-speed transfers. The USBFS has an internal USB transceiver and supports all of the transfer types defined in the USB 2.0 specification.

The USBFS has FIFO buffer for data transfers, providing a maximum of 10 pipes. Any endpoint number can be assigned to pipes 1 to 9, based on the peripheral devices or the communication requirements for your system.

The MCU supports revision 1.2 of the battery charging specification. Because the MCU can be powered at 5 V, the USB LDO regulator provides the internal USB transceiver power supply 3.3 V.

[Table 27.1](#) lists the USBFS specifications, [Figure 27.1](#) shows the block diagram, and [Table 27.2](#) lists the I/O pins.

Table 27.1 USBFS specifications

| Parameter | Specifications |
|----------------------------------|------------------------------------------------------------------------------------------------------------------------------------------------------------------------------------------------------------------------------------------------------------------------------------------------------------------------------------------------------------------------------------------------------------------------------------------------------------------------------------------------------------------------------------------------------------------------------------------------------------------------------------------------------------------------------------------------------------------------------------------------------------------------------------------------------------------------------------------------------------------------------------------------------------------------------------------------------------------------------------------------------------------------------------------------------------------------------------------------------------------------------|
| Features | <ul style="list-style-type: none"> • USB Device Controller (UDC) and USB 2.0 transceiver supporting host controller, device controller, and On-The-Go (OTG) functions (one channel) • Software can switch between host and device controller • Self-power or bus power mode can be selected • Revision 1.2 of Battery Charging specification is supported • The USB LDO regulator is used to power the internal USB transceiver. <hr/> Host controller features: <ul style="list-style-type: none"> • Full-speed transfer (12 Mbps) and low-speed transfer (1.5 Mbps) • Automatic scheduling for SOF and packet transmissions • Programmable intervals for isochronous and interrupt transfers <hr/> Device controller features: <ul style="list-style-type: none"> • Full-speed transfer (12 Mbps) and low-speed transfer (1.5 Mbps) • Control transfer stage control function • Device state control function • Auto response function for SET_ADDRESS request • SOF interpolation. |
| Communication data transfer type | <ul style="list-style-type: none"> • Control transfer • Bulk transfer • Interrupt transfer • Isochronous transfer. |
| Pipe configuration | <ul style="list-style-type: none"> • FIFO buffer for USB communication • Up to 10 pipes can be selected, including the default control pipe • Pipes 1 to 9 can be assigned any endpoint number. <hr/> Transfer conditions that can be set for each pipe: <ul style="list-style-type: none"> • Pipe 0: Control transfer with 64-byte single buffer • Pipes 1 and 2: Bulk transfer with 64-byte double buffer 256-byte double buffer for isochronous transfer • Pipes 3 to 5: Bulk transfer with 64-byte double buffer • Pipes 6 to 9: Interrupt transfer with 64-byte single buffer. |
| Others | <ul style="list-style-type: none"> • Reception end function using transaction count • Function that changes the BRDY interrupt event notification timing (BFRE) • Automatic clearing of the FIFO buffer after data for the pipe specified in the DnFIFO port (n = 0, 1) is read (DCLRM) • NAK setting function for response PID generated on transfer end (SHTNAK) • On-chip pull-up and pull-down resistors for USB_DP/USB_DM • HOCO clock that can be used as USB clock. |
| Module-stop function | Module-stop state can be set to reduce power consumption |

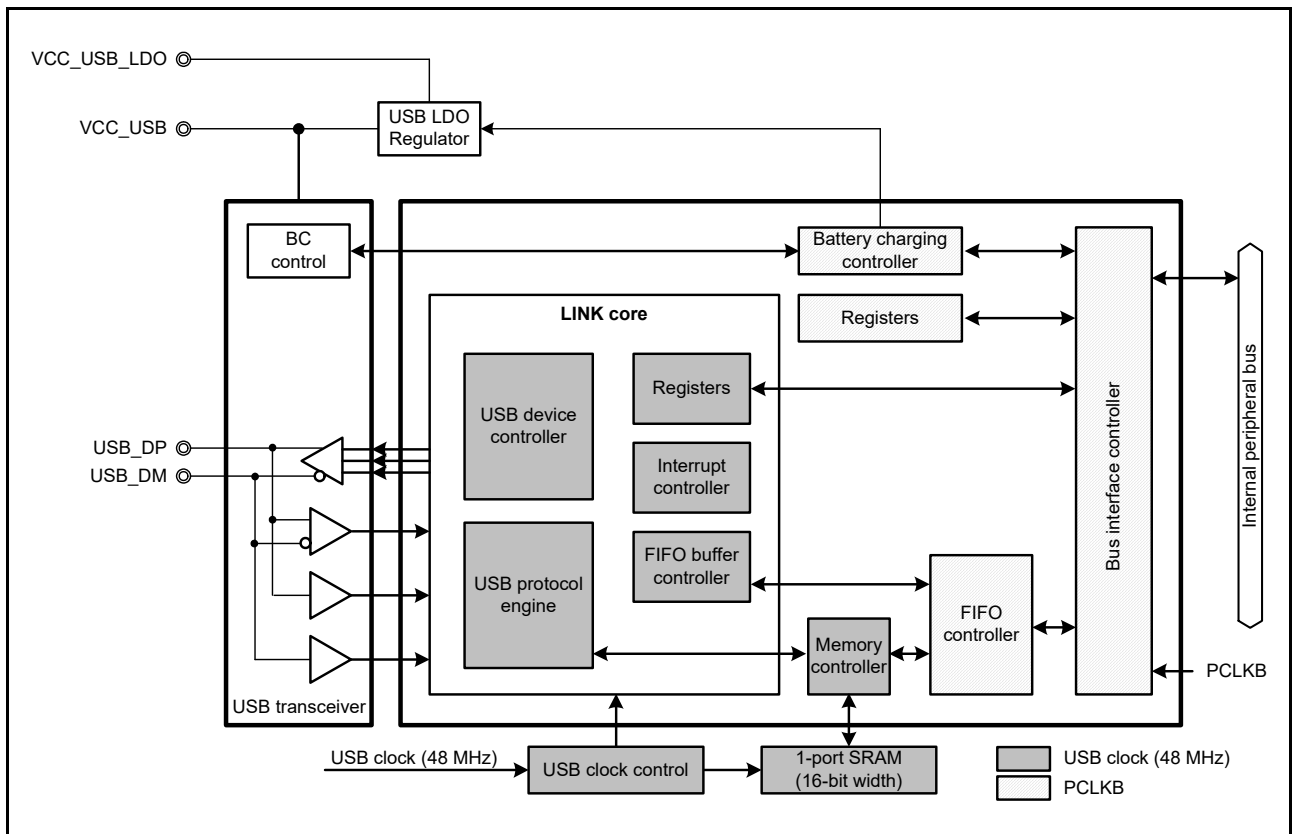


Figure 27.1 USBFS block diagram

Table 27.2 USBFS pin configuration

| Port | Pin name | I/O | Function |
|--------|----------------------------|--------|---------------------------------------------------------------------------------------------------------------------------------------------------------------------------------------------|
| USBFS | USB_DP | I/O | D+ I/O pin for the on-chip USB transceiver. Must be connected to the D+ pin of the USB bus. |
| | USB_DM | I/O | D- I/O pin of the on-chip USB transceiver. Must be connected to the D- pin of the USB bus. |
| | USB_VBUS | Input | USB cable connection monitor pin. Must be connected to VBUS signal on the USB bus. The VBUS pin status (connected or disconnected) can be detected when the USBFS is a device controller.*1 |
| | USB_EXICEN | Output | Low-power control signal for the OTG power supply IC |
| | USB_VBUSEN | Output | VBUS (5 V) enable signal for the external power supply IC |
| | USB_OVRCURA USB_OVRCURB | Input | Overcurrent pins for USBFS. Must be connected to external overcurrent detection signals. When the OTG power supply chip is connected, must be connected to the VBUS comparator signals. |
| | USB_ID | Input | Must be connected to MicroAB connector ID input signal in OTG mode |
| Common | VCC_USB | I/O | Input: Power supply pin for USB transceiver Output: USB LDO regulator output pin. Must be connected to an external capacitor. |
| | VCC_USB_LDO | Input | Power supply pin for USB LDO regulator |
| | VSS_USB | Input | USB ground pin |

Note 1. P407 is 5 V tolerant.

27.2 Register Descriptions

27.2.1 System Configuration Control Register (SYSCFG)

Address(es): `USBFS.SYSCFG 4009 0000h`

| | | | | | | | | | | | | | | | | |
|--------------------|-----|-----|-----|-----|-----|------|----|------|----|------|------|-------|-------|----|----|------|
| | b15 | b14 | b13 | b12 | b11 | b10 | b9 | b8 | b7 | b6 | b5 | b4 | b3 | b2 | b1 | b0 |
| | — | — | — | — | — | SCKE | — | CNEN | — | DCFM | DRPD | DPRPU | DMRPU | — | — | USBE |
| Value after reset: | 0 | 0 | 0 | 0 | 0 | 0 | 0 | 0 | 0 | 0 | 0 | 0 | 0 | 0 | 0 | 0 |

| Bit | Symbol | Bit name | Description | R/W |
|------------|--------|-----------------------------------|-------------------------------------------------------------------------------|-----|
| b0 | USBE | USBFS Operation Enable | 0: Disabled 1: Enabled. | R/W |
| b2, b1 | — | Reserved | These bits are read as 0. The write value should be 0. | R/W |
| b3 | DMRPU | D- Line Resistor Control*1 | 0: Line pull-up disabled 1: Line pull-up enabled. | R/W |
| b4 | DPRPU | D+ Line Resistor Control*1 | 0: Line pull-up disabled 1: Line pull-up enabled. | R/W |
| b5 | DRPD | D+/D- Line Resistor Control | 0: Line pull-down disabled 1: Line pull-down enabled. | R/W |
| b6 | DCFM | Controller Function Select | 0: Device controller selected 1: Host controller selected. | R/W |
| b7 | — | Reserved | This bit is read as 0. The write value should be 0. | R/W |
| b8 | CNEN | CNEN Single-ended Receiver Enable | 0: Single-ended receiver disabled 1: Single-ended receiver enabled. | R/W |
| b9 | — | Reserved | This bit is read as 0. The write value should be 0. | R/W |
| b10 | SCKE | USB Clock Enable*2 | 0: Clock supply to the USBFS stopped 1: Clock supply to the USBFS enabled. | R/W |
| b15 to b11 | — | Reserved | These bits are read as 0. The write value should be 0. | R/W |

Note 1. Do not enable the DMRPU and DPRPU bits at the same time.

Note 2. After writing 1 to the SCKE bit, read it and confirm it is set to 1.

USBE bit (USBFS Operation Enable)

The USBE bit enables or disables operation of the USBFS.

Changing the USBE bit from 1 to 0 initializes the bits listed in [Table 27.3](#). Only change this bit while the SCKE bit is 1. In host controller mode, this bit must be set to 1 after setting the DRPD bit to 1, eliminating SYSSTS0.LNST[1:0] bit chattering, and confirming that the USB bus state is stable.

Table 27.3 Registers initialized by writing 0 to SYSCFG.USBE bit

| Selected function | Register | Bit | Remarks |
|-------------------|----------|--------------------------------------|------------------------------------------|
| Device controller | SYSSTS0 | LNST[1:0] | Value is saved in host controller mode |
| | DVSTCTR0 | RHST[2:0] | - |
| | INTSTS0 | DVSQ[2:0] | Value is saved in host controller mode |
| | USBREQ | BREQUEST[7:0], BMREQUESTTYPE[7:0] | Value is saved in host controller mode |
| | USBVAL | WVALUE[15:0] | Value is saved in host controller mode |
| | USBINDX | WINDEX[15:0] | Value is saved in host controller mode |
| | USBLENG | WLENTUH[15:0] | Value is saved in host controller mode |
| Host controller | DVSTCTR0 | RHST[2:0] | - |
| | FRMNUM | FRNM[10:0] | Value is saved in device controller mode |

DMRPU bit (D- Line Resistor Control*1)

The DMRPU bit enables or disables pulling up the D- line in device controller mode.

When the DMRPU bit is set to 1 in device controller mode, the USBFS pulls up the D- line to notify the USB host that it attached as a low-speed device. Changing the DMRPU bit from 1 to 0 releases the pull-up, thereby notifying the USB host that it detached.

Set this bit to 0 in host controller mode.

DPRPU bit (D+ Line Resistor Control*1)

The DPRPU bit enables or disables pulling up the D+ line in device controller mode.

When the DPRPU bit is set to 1 in device controller mode, the USBFS pulls up the D+ line to notify the USB host that it attached. Changing the DPRPU bit from 1 to 0 releases the pull-up, thereby notifying the USB host that it detached.

Set this bit to 0 in host controller mode.

DRPD bit (D+/D- Line Resistor Control)

The DRPD bit enables or disables pulling down D+ and D- lines in host controller mode.

Set this bit to 1 in host controller mode and to 0 in device controller mode.

DCFM bit (Controller Function Select)

The DCFM bit selects the host or device function of the USBFS.

Only change this bit when the DMRPU, DPRPU, and DRPD bits are both 0.

CNEN bit (CNEN Single-ended Receiver Enable)

Setting the CNEN bit to 1 enables the single-ended receiver and sets the LNST bit to monitor the status of D+ and D- lines.

The CNEN bit is used when the USBFS operates as a portable device for battery charging.

SCKE bit (USB Clock Enable*2)

The SCKE bit stops or enables supplying 48-MHz clock supply to the USB.

When this bit is 0, only SYSCFG is permitted to be read from and written to. Do not read or write other USB-related registers.

27.2.2 System Configuration Status Register 0 (SYSSTS0)

Address(es): **USBFS.SYSSTS0 4009 0004h**

| | | | | | | | | | | | | | | | | |
|--------------------|-------------|-----|-----|-----|-----|-----|----|----|-------|----|----|----|-------|-----------|----|----|
| | b15 | b14 | b13 | b12 | b11 | b10 | b9 | b8 | b7 | b6 | b5 | b4 | b3 | b2 | b1 | b0 |
| | OVCMON[1:0] | | — | — | — | — | — | — | HTACT | — | — | — | IDMON | LNST[1:0] | | |
| Value after reset: | 0*1 | 0*1 | 0 | 0 | 0 | 0 | 0 | 0 | 0 | 0 | 0 | 0 | 0 | 0*1 | 0 | 0 |

| Bit | Symbol | Bit name | Description | R/W |
|-----------|------------------|-----------------------------------|-----------------------------------------------------------------------------------|-----|
| b1, b0 | LNST[1:0] | USB Data Line Status Monitor | Indicates the status of the USB data lines. See Table 27.4 . | R |
| b2 | IDMON | External ID0 Input Pin Monitor | 0: USB_ID pin is low 1: USB_ID pin is high. | R |
| b5 to b3 | — | Reserved | These bits are read as 0 | R |
| b6 | HTACT | USB Host Sequencer Status Monitor | 0: Host sequencer completely stopped 1: Host sequencer not completely stopped. | R |
| b13 to b7 | — | Reserved | These bits are read as 0 and cannot be modified. | R |

| Bit | Symbol | Bit name | Description | R/W |
|----------|-----------------------------|-----------------------------------------------------------|-----------------------------------------------------------------------------------------------------------|-----|
| b15, b14 | OVCMON[1:0] | External USB_OVRCURA/ USB_OVRCURB Input Pin Monitor | OVCMON[1] bit indicates the USB_OVRCURA pin status OVCMON[0] bit indicates the USB_OVRCURB pin status. | R |

Note 1. Depends on the status of the USB_OVRCURA/USB_OVRCURB and USB_ID pins.

[LNST\[1:0\] bits \(USB Data Line Status Monitor\)](#)

The LNST[1:0] bits indicate the state of the USB data lines, D+ and D-. For details, see [Table 27.4](#).

In device controller mode, read the LNST[1:0] bits after connection processing (SYSCFG.DPRPU bit = 1) or after enabling pull-down of the lines (SYSCFG.DRPD bit = 1) in host controller mode.

[HTACT bit \(USB Host Sequencer Status Monitor\)](#)

The HTACT bit is 0 when the host sequencer of the USBFS is completely stopped.

In host controller mode, check that the HTACT bit is 0 before setting the DVSTCTR0.UACT bit to 0 to place the USBFS in the suspended state or setting the SCKE bit to 0 to stop the clock supply during communication.

[OVCMON\[1:0\] bits \(External USB_OVRCURA/ USB_OVRCURB Input Pin Monitor\)](#)

The OCVMON[1:0] bits indicate the status of the overcurrent signals from an external power supply IC.

Table 27.4 Status of USB data bus lines (D+ Line, D- Line)

| LNST[1:0] bits | During full-speed operation | During low-speed operation |
|----------------|-----------------------------|----------------------------|
| 00b | SE0 | SE0 |
| 01b | J-State | K-State |
| 10b | K-State | J-State |
| 11b | SE1 | SE1 |

27.2.3 Device State Control Register 0 (DVSTCTR0)

Address(es): [USBFS.DVSTCTR0 4009 0008h](#)

| b15 | b14 | b13 | b12 | b11 | b10 | b9 | b8 | b7 | b6 | b5 | b4 | b3 | b2 | b1 | b0 |
|-----|-----|-----|-----|-------------|------------|------------|------|-----------|------------|------------|------|----|-----------|----|----|
| — | — | — | — | HNPBT OA | EXICE N | VBUSE N | WKUP | RWUP E | USBRS T | RESU ME | UACT | — | RHST[2:0] | | |
| 0 | 0 | 0 | 0 | 0 | 0 | 0 | 0 | 0 | 0 | 0 | 0 | 0 | 0 | 0 | 0 |

Value after reset:

| Bit | Symbol | Bit name | Description | R/W |
|----------|---------------------------|----------------------|---------------------------------------------------------------------------------------------------------------------------------------------------------------------------------------------------------------------------------------------------------------------------------------------------------------------------------------------------------------------------------------------------------------------------------------------------------------------------------------------------------------------------------------------------------------------------------------------------------------------------------------------------------------------------|-----|
| b2 to b0 | RHST[2:0] | USB Bus Reset Status | <ul style="list-style-type: none"> In host controller mode: <ul style="list-style-type: none"> $b2 \ b0$ 0 0 0: Communication speed indeterminate (powered state or no connection) 1 x x: USB bus reset in progress 0 0 1: Low-speed connection 0 1 0: Full-speed connection. In device controller mode: <ul style="list-style-type: none"> $b2 \ b0$ 0 0 0: Communication speed indeterminate 0 0 1: USB bus reset in progress or low-speed connection 0 1 0: USB bus reset in progress or full-speed connection. | R |
| b3 | — | Reserved | This bit is read as 0. The write value should be 0. | R/W |
| b4 | UACT | USB Bus Enable | 0: Downstream port disabled (SOF transmission disabled) 1: Downstream port enabled (SOF transmission enabled). | R/W |
| b5 | RESUME | Resume Output | 0: Resume signal not output 1: Resume signal output. | R/W |

| Bit | Symbol | Bit name | Description | R/W |
|------------|---------|-----------------------------------------|-----------------------------------------------------------------------------------------------------------------------------------------------------------------------------------------------------------------------------------------|-----|
| b6 | USBRST | USB Bus Reset Output | 0: USB bus reset signal not output 1: USB bus reset signal output. | R/W |
| b7 | RWUPE | Wakeup Detection Enable | 0: Downstream port wakeup disabled 1: Downstream port wakeup enabled. | R/W |
| b8 | WKUP | Wakeup Output | 0: Remote wakeup signal not output 1: Remote wakeup signal output. | R/W |
| b9 | VBUSEN | USB_VBUSEN Output Pin Control | 0: External USB_VBUSEN pin outputs low 1: External USB_VBUSEN pin outputs high. | R/W |
| b10 | EXICEN | USB_EXICEN Output Pin Control | 0: External USB_EXICEN pin outputs low 1: External USB_EXICEN pin outputs high. | R/W |
| b11 | HNPBTOA | Host Negotiation Protocol (HNP) Control | This bit is used when switching from device B to device A in OTG mode. If the HNPBTOA bit is 1, the internal function control remains in the suspended state until the HNP processing ends even if SYSCFG.DPRPU = 0 or SYSCFG.DCFM = 1. | R/W |
| b15 to b12 | — | Reserved | These bits are read as 0. The write value should be 0. | R/W |

x: Don't care

RHST[2:0] bits (USB Bus Reset Status)

The RHST[2:0] bits indicate the status of the USB bus reset.

In host controller mode, writing 1 to the USBRST bit causes the RHST[2:0] bits to set to 100b. When 0 is written to the USBRST bit and the USBFS ends the SE0 state, the RHST[2:0] bits update to a new value.

In device controller mode, if the USBFS detects a USB bus reset, the RHST[2:0] bits are set to 010b if the DPRPU bit is 1 or 001b if the DMRPU is 1, and a DVST interrupt is generated.

UACT bit (USB Bus Enable)

When set to 1 in host controller mode, the UACT bit enables USB bus operation by controlling SOF packet transmission to the USB bus in addition to data and reception. The USBFS starts SOF packet output within one frame period after this bit is set to 1. When UACT is set to 0, the USB enters the idle state after the SOF packet output.

With this bit set to 0, the USB enters the idle state after outputting SOF packets.

The USB sets the UACT bit to 0 on any of the following conditions:

- A DTCH interrupt is detected during communication (while UACT = 1)
- An EOFERR interrupt is detected during communication (while UACT = 1).

Always write 1 to the UACT bit at the end of the USB bus reset processing (writing 0 to the USBRST bit) or at the end of resume processing from the suspended state (writing 0 to the RESUME bit).

In device controller mode, always set this bit to 0.

RESUME bit (Resume Output)

The RESUME bit controls the resume signal output in host controller mode.

When this bit is set to 1, the USBFS drives the USB port to the K-state and outputs the resume signal. The USBFS sets the bit to 1 on detection of a remote wakeup signal while the RWUPE bit is 1 and in the USB suspended state.

The USBFS continues outputting the K-state while the RESUME bit is 1, until the bit is set to 0 by software. The RESUME bit must be 1 (resume period) for the time defined in the USB 2.0 specification. Only set this bit to 1 while the interface is in the suspended state. Write 1 to the UACT bit simultaneously with the end of the resume processing (writing 0 to the RESUME bit).

Always set this bit to 0 in device controller mode.

USBRST bit (USB Bus Reset Output)

The USBRST bit controls the output of the USB bus reset signal in host controller mode. When this bit is set to 1, the USBFS drives the USB port to the SE0 state to reset the USB bus. The USBFS continues outputting SE0 while the

USBRST bit is 1, until the bit is set to 1 by software. The USBRST bit must be 1 (USB bus reset period) for the time defined in the USB 2.0 specification.

Writing 1 to this bit during communication (UACT bit = 1) or during resume processing (RESUME bit = 1) prevents the USBFS from starting USB bus reset processing until both the UACT and RESUME bits become 0. Write 1 to the UACT bit simultaneously with the end of the USB bus reset processing (writing 0 to the USBRST bit).

Always set this bit to 0 in device controller mode.

RWUPE bit (Wakeup Detection Enable)

The RWUPE bit enables or disables remote wakeup signals (resume signals) from downstream peripheral devices in host controller mode. When this bit is set to 1, the USBFS detects a remote wakeup signal (K-state for 2.5 μ s) from a downstream peripheral device, and it performs resume processing, driving the K-state.

When this bit is set to 0, the USBFS ignores remote wakeup signals (K-states) from peripheral devices connected to the USB port. Do not stop the internal clock while the RWUPE bit is 1, even in the suspended state (SYSCFG.SCKE bit must be set to 1). Always set this bit to 0 in device controller mode.

WKUP bit (Wakeup Output)

The WKUP bit enables or disables remote wakeup signals (resume signals) to the USB bus in device controller mode.

The USBFS controls the output timing of the remote wakeup signals. When this bit is set to 1, the USBFS clears this bit to 0 after outputting the K-state for 10 ms. The USB 2.0 specification specifies that the USB bus idle state must be maintained for 5 ms or longer before a remote wakeup signal is sent. If the USB writes 1 to this bit immediately after detecting the suspended state, the K-state is output after 2 ms.

Only write 1 to this bit when the device is in the suspended state (INTSTS0.DVSQ[2:0] bits = 1xxb) and the USB host enables the remote wakeup signal. Do not stop the internal clock while this bit is 1, even in the suspended state (SYSCFG.SCKE bit must be set to 1). Set this bit to 0 in host controller mode.

HNPBTOA bit (Host Negotiation Protocol (HNP) Control)

The HNPBTOA bit is used when switching from device B to device A while in OTG mode.

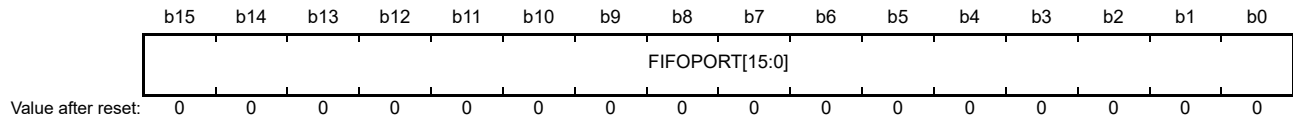
If the HNPBTOA bit is 1, the internal function control maintains the suspended state until the HNP processing ends, even if the SYSCFG.DPRPU bit is 0 or the SYSCFG.DCFM bit is set to 1. Resume (RESM) interrupts are not generated even if the falling edge of the D+ signal is detected.

The HNP processing ends when a host attach event is detected, because of a pull-up by the initiating party, or the HNPBTOA bit is set to 0 by software because the HNP processing times out.

27.2.4 CFIFO Port Register (CFIFO/CFIFOL) D0FIFO Port Register (D0FIFO/D0FIFOL) D1FIFO Port Register (D1FIFO/D1FIFOL)

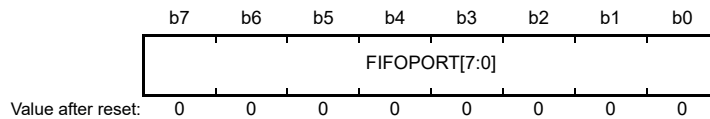
(1) When the MBW bit is 1

Address(es): [USBFS.CFIFO 4009 0014h](#), [USBFS.D0FIFO 4009 0018h](#), [USBFS.D1FIFO 4009 001Ch](#)



(2) When the MBW bit is 0

Address(es): [USBFS.CFIFOL 4009 0014h](#), [USBFS.D0FIFOL 4009 0018h](#), [USBFS.D1FIFOL 4009 001Ch](#)



| Bit | Symbol | Bit name | Description | R/W |
|-----------|----------------------------------|-----------|----------------------------------------------------------------------------------------------------------|-----|
| b15 to b0 | FIFOPORT[15:0]*1 | FIFO Port | Read receive data from the FIFO buffer or write transmit data to the FIFO buffer by accessing these bits | R/W |

Note 1. The valid bits depend on the MBW settings (CFIFOSEL.MBW, D0FIFOSEL.MBW, and D1FIFOSEL.MBW) and BIGEND settings (CFIFOSEL.BIGEND, D0FIFOSEL.BIGEND, and D1FIFOSEL.BIGEND) in the associated port select register. See [Table 27.5](#) and [Table 27.6](#).

Three FIFO ports are available:

- CFIFO
- D0FIFO
- D1FIFO.

Each FIFO port is configured with:

- A port register (CFIFO, D0FIFO, or D1FIFO) that handles reading of data from the FIFO buffer and writing of data to the FIFO buffer
- A port select register (CFIFOSEL, D0FIFOSEL, or D1FIFOSEL) that selects the pipe assigned to the FIFO port
- A port control register (CFIFOCTR, D0FIFOCTR, or D1FIFOCTR).

Each FIFO port has the following constraints:

- Access to the FIFO buffer for DCP control transfers is through the CFIFO port
- Access to the FIFO buffer for DMA or DTC transfers is through the D0FIFO or D1FIFO port
- The D0FIFO and D1FIFO ports can also be accessed by the CPU
- When using functions specific to the FIFO port, such as the DMA or DTC transfer function, you cannot change the pipe number selected in the CURPIPE[3:0] bits of the Port Select Register
- Registers configuring one FIFO port do not affect other FIFO ports
- The same pipe must not be assigned to two or more FIFO ports
- There are two FIFO buffer states, one giving access rights to the CPU and the other to the serial interface engine (SIE). When the SIE has access rights, the FIFO buffer cannot be accessed by the CPU.

FIFOPORT[15:0] bits (FIFO Port)

When the FIFOPORT bit is accessed, the USBFS reads the received data from the FIFO buffer or writes the transmission data to the FIFO buffer. The FIFO port register can be accessed only when the FRDY flag in the associated port control register (CFIFOCTR, D0FIFOCTR, or D1FIFOCTR) is 1.

The valid bits in a FIFO port register depend on the MBW and BIGEND settings in the port select register (CFIFOSEL, D0FIFOSEL, or D1FIFOSEL). See [Table 27.5](#) and [Table 27.6](#).

Table 27.5 Endian operation in 16-bit access

| CFIFOSEL.BIGEND bit D0FIFOSEL.BIGEND bit D1FIFOSEL.BIGEND bit | Bits [15:8] | Bits [7:0] |
|---------------------------------------------------------------------|-------------|------------|
| 0 | N + 1 data | N + 0 data |
| 1 | N + 0 data | N + 1 data |

Table 27.6 Endian operation in 8-bit access

| CFIFOSEL.BIGEND bit D0FIFOSEL.BIGEND bit D1FIFOSEL.BIGEND bit | Bits [15:8] | Bits [7:0] |
|---------------------------------------------------------------------|---------------------|------------|
| 0 | Access prohibited*1 | N + 0 data |
| 1 | Access prohibited*1 | N + 0 data |

Note 1. Writing to or reading from these areas is not allowed.

27.2.5 CFIFO Port Select Register (CFIFOSEL) D0FIFO Port Select Register (D0FIFOSEL) D1FIFO Port Select Register (D1FIFOSEL)

CFIFOSEL

Address(es): USBFS.CFIFOSEL 4009 0020h

| b15 | b14 | b13 | b12 | b11 | b10 | b9 | b8 | b7 | b6 | b5 | b4 | b3 | b2 | b1 | b0 |
|--------------------|-----|-----|-----|-----|-----|----|------------|----|----|------|----|--------------|----|----|----|
| RCNT | REW | — | — | — | MBW | — | BIGEN D | — | — | ISEL | — | CURPIPE[3:0] | | | |
| Value after reset: | 0 | 0 | 0 | 0 | 0 | 0 | 0 | 0 | 0 | 0 | 0 | 0 | 0 | 0 | 0 |

| Bit | Symbol | Bit name | Description | R/W |
|----------|-----------------------------------|--------------------------------------------------|------------------------------------------------------------------------------------------------------------------------------------------------------------------------------------------------------------------------------------------------------------|-----|
| b3 to b0 | CURPIPE [3:0] | CFIFO Port Access Pipe Specification | b3 b0 0 0 0 0: DCP (Default control pipe) 0 0 0 1: Pipe 1 0 0 1 0: Pipe 2 0 0 1 1: Pipe 3 0 1 0 0: Pipe 4 0 1 0 1: Pipe 5 0 1 1 0: Pipe 6 0 1 1 1: Pipe 7 1 0 0 0: Pipe 8 1 0 0 1: Pipe 9. Other settings are prohibited. | R/W |
| b4 | — | Reserved | This bit is read as 0. The write value should be 0. | R/W |
| b5 | ISEL | CFIFO Port Access Direction When DCP is Selected | 0: Reading from the buffer memory is selected 1: Writing to the buffer memory is selected. | R/W |
| b7, b6 | — | Reserved | These bits are read as 0. The write value should be 0. | R/W |

| Bit | Symbol | Bit name | Description | R/W |
|------------|---------------|-----------------------------|--------------------------------------------------------------------------------------------------------------------------------------------------------------------------------------------------------------------------------------------------------------------------------------------------------------------------------------|-------------------|
| b8 | BIGEND | CFIFO Port Endian Control | 0: Little endian 1: Big endian. | R/W |
| b9 | — | Reserved | This bit is read as 0. The write value should be 0. | R/W |
| b10 | MBW | CFIFO Port Access Bit Width | 0: 8-bit width 1: 16-bit width. | R/W |
| b13 to b11 | — | Reserved | These bits are read as 0. The write value should be 0. | R/W |
| b14 | REW | Buffer Pointer Rewind | 0: The buffer pointer is not rewind 1: The buffer pointer is rewind. | R/W ^{*1} |
| b15 | RCNT | Read Count Mode | 0: DTLN[8:0] bits (CFIFOCTR.DTLN[8:0], D0FIFOCTR.DTLN[8:0], D1FIFOCTR.DTLN[8:0]) cleared when all receive data is read from the CFIFO. (In double buffer mode, the DTLN[8:0] bit value is cleared when all data is read from only a single plane.) 1: DTLN[8:0] bits decrement each time the receive data is read from the CFIFO. | R/W |

Note 1. Only 0 can be read.

Do not specify the same pipe number in the CURPIPE[3:0] bits in the CFIFOSEL, D0FIFOSEL, and D1FIFOSEL registers. When the CURPIPE[3:0] bits in the D0FIFOSEL and D1FIFOSEL registers are set to 0000b, no pipe is selected.

Do not change the pipe number while DMA or DTC transfer is enabled.

CURPIPE[3:0] bits (CFIFO Port Access Pipe Specification)

The CURPIPE[3:0] bits specify the pipe number used to read or write data through the CFIFO port. After writing to these bits, read them to check that the written value agrees with the read value before proceeding to the next process.

Do not set the same pipe number to the CURPIPE[3:0] bits in CFIFOSEL, D0FIFOSEL, and D1FIFOSEL.

During FIFO buffer access, the current pipe specification is maintained until the access is complete, even if the software attempts to change the CURPIPE[3:0] setting. Access continues after the current value is written back to the CURPIPE[3:0] bits.

ISEL bit (CFIFO Port Access Direction When DCP is Selected)

After writing a new value to the ISEL bit while the DCP is the selected pipe, read this bit to check that the written value agrees with the read value before proceeding to the next process. Set the ISEL bit and the CURPIPE[3:0] bits simultaneously.

MBW bit (CFIFO Port Access Bit Width)

The MBW bit specifies the bit width for accessing the CFIFO port.

When the selected pipe is receiving, set the CURPIPE[3:0] bits and MBW bits simultaneously. After a write to these bits starts a data read from the FIFO buffer, do not change the bits until all of the data is read. When you read the FIFO buffer, read with the access size that is set in the MBW bit.

When the selected pipe is transmitting, the bit width cannot be changed from 8-bit width to 16-bit width while data is being written to the buffer memory.

An odd number of bytes can also be written through byte-access control even when 16-bit width is selected.

REW bit (Buffer Pointer Rewind)

The REW bit specifies whether to rewind the buffer pointer.

When the selected pipe is receiving, setting this bit to 1 while the FIFO buffer is being read allows re-reading of the FIFO buffer from the first data. In double buffering, this setting enables re-reading of the currently-read FIFO buffer plane from the first entry.

Do not set this bit to 1 while simultaneously changing the CURPIPE[3:0] bits. Before setting the bit to 1, always check that the FRDY bit is 1.

To rewrite to the FIFO buffer from the first data for the transmitting pipe, use the BCLR bit.

D0FIFOSEL, D1FIFOSEL

Address(es): USBFS.D0FIFOSEL 4009 0028h, USBFS.D1FIFOSEL 4009 002Ch

| | | | | | | | | | | | | | | | |
|----------------------------------------------------|-----|-------|-------|-----|-----|----|--------|----|----|----|----|--------------|----|----|----|
| b15 | b14 | b13 | b12 | b11 | b10 | b9 | b8 | b7 | b6 | b5 | b4 | b3 | b2 | b1 | b0 |
| RCNT | REW | DCLRM | DREQE | — | MBW | — | BIGEND | — | — | — | — | CURPIPE[3:0] | | | |
| Value after reset: 0 0 0 0 0 0 0 0 0 0 0 0 0 0 0 0 | | | | | | | | | | | | | | | |

| Bit | Symbol | Bit name | Description | R/W |
|----------|-------------------------|--------------------------------------------------------------------------|--------------------------------------------------------------------------------------------------------------------------------------------------------------------------------------------------------------------------------------------------------------------------------------------------------------------------------------------|-------|
| b3 to b0 | CURPIPE [3:0] | FIFO Port Access Pipe Specification | b3 b0 0 0 0 0: No pipe selection 0 0 0 1: Pipe 1 0 0 1 0: Pipe 2 0 0 1 1: Pipe 3 0 1 0 0: Pipe 4 0 1 0 1: Pipe 5 0 1 1 0: Pipe 6 0 1 1 1: Pipe 7 1 0 0 0: Pipe 8 1 0 0 1: Pipe 9 Other settings are prohibited. | R/W |
| b7 to b4 | — | Reserved | These bits are read as 0. The write value should be 0. | R/W |
| b8 | BIGEND | FIFO Port Endian Control | 0: Little endian 1: Big endian. | R/W |
| b9 | — | Reserved | This bit is read as 0. The write value should be 0. | R/W |
| b10 | MBW | FIFO Port Access Bit Width | 0: 8-bit width 1: 16-bit width. | R/W |
| b11 | — | Reserved | This bit is read as 0. The write value should be 0. | R/W |
| b12 | DREQE | DMA/DTC Transfer Request Enable | 0: DMA/DTC transfer request disabled 1: DMA/DTC transfer request enabled. | R/W |
| b13 | DCLRM | Auto Buffer Memory Clear Mode Accessed after Specified Pipe Data is Read | 0: Auto buffer clear mode disabled 1: Auto buffer clear mode enabled. | R/W |
| b14 | REW | Buffer Pointer Rewind | 0: The buffer pointer is not rewind 1: The buffer pointer is rewind. | R/W*1 |
| b15 | RCNT | Read Count Mode | 0: DTLN[8:0] bits (CFIFOCTR.DTLN[8:0], D0FIFOCTR.DTLN[8:0], D1FIFOCTR.DTLN[8:0]) cleared when all receive data is read from DnFIFO. (In double buffer mode, the DTLN bit Value is cleared when all data is read from only a single plane.) 1: DTLN[8:0] bits decrement each time the receive data is read from DnFIFO. (n = 0, 1) | R/W |

Note 1. Only 0 can be read.

Do not specify the same pipe number in the CURPIPE[3:0] bits in the CFIFOSEL, D0FIFOSEL, and D1FIFOSEL registers. When the CURPIPE[3:0] bits in the D0FIFOSEL and D1FIFOSEL registers are set to 0000b, no pipe is selected. Do not change the pipe number while DMA or DTC transfer is enabled.

CURPIPE[3:0] bits (FIFO Port Access Pipe Specification)

The CURPIPE[3:0] bits specify the pipe number used to read or write data through the D0FIFO port or D1FIFO port. After writing to these bits, read them to check that the written value agrees with the read value before proceeding to the next process. Do not set the same pipe number to the CURPIPE[3:0] bits in CFIFOSEL, D0FIFOSEL, and D1FIFOSEL.

During FIFO buffer access, the current pipe specification is maintained until the access is complete, even if the software attempts to change the CURPIPE[3:0] setting. Access continues after the current value is written back to the CURPIPE[3:0] bits.

MBW bit (FIFO Port Access Bit Width)

The MBW bit specifies the bit width for accessing the D0FIFO port or D1FIFO port.

When the selected pipe is receiving, after a write to these bits starts a data read from the FIFO buffer, do not change the bits until all of the data is read. When you read the FIFO buffer, read with the access size that is set in the MBW bit.

Set the CURPIPE[3:0] bits and the MBW bit simultaneously.

When the selected pipe is transmitting, the bit width cannot be changed from 8-bit width to 16-bit width while data is being written to the FIFO memory.

An odd number of bytes can also be written through byte-access control even when 16-bit width is selected.

DREQE bit (DMA/DTC Transfer Request Enable)

The DREQE bit enables or disables the DMA/DTC transfer request to be issued.

The DREQE bit enables or disables issuing of DMA or DTC transfer requests. To enable DMA or DTC transfer requests, set this bit to 1 after setting the CURPIPE[3:0] bits. To change the CURPIPE[3:0] setting, first set this bit to 0.

DCLRM bit (Auto Buffer Memory Clear Mode Accessed after Specified Pipe Data is Read)

The DCLRM bit enables or disables automatic FIFO buffer clearing after data in the selected pipe is read.

When this bit is set to 1, on receiving a zero-length packet while the FIFO buffer assigned to the selected pipe is empty, or when reading of a received short packet is complete while the PIPECFG.BFRE bit is 1, the USBFS sets the BCLR bit in the FIFO port control register to 1.

When using the USBFS with the SOFCFG.BRDYM bit set to 1, set this bit to 0.

REW bit (Buffer Pointer Rewind)

The REW bit specifies whether or not to rewind the buffer pointer.

When the selected pipe is receiving, setting this bit to 1 while the FIFO buffer is being read allows re-reading of the FIFO buffer from the first data. In double buffering, this setting enables re-reading of the currently-read FIFO buffer plane from the first entry.

Do not set this bit to 1 while simultaneously changing the CURPIPE[3:0] bits. Before setting this bit to 1, always check that the FRDY bit is 1.

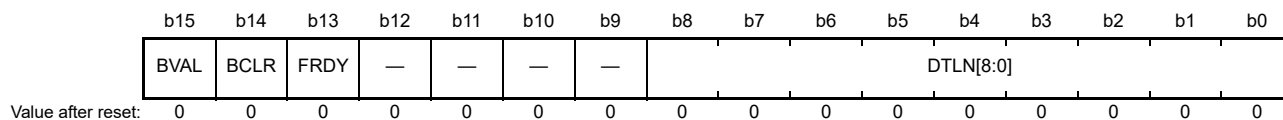
To rewrite to the FIFO buffer from the first data for the transmitting pipe, use the BCLR bit.

RCNT bit (Read Count Mode)

The RCNT bit specifies the read mode for the value in the CFIFOCTR.DTLN bit. When accessing DnFIFO with the PIPECFG.BFRE bit set to 1, set the RCNT bit to 0.

**27.2.6 CFIFO Port Control Register (CFIFOCTR)
D0FIFO Port Control Register (D0FIFOCTR)
D1FIFO Port Control Register (D1FIFOCTR)**

Address(es): USBFS.CFIFOCTR 4009 0022h, USBFS.D0FIFOCTR 4009 002Ah, USBFS.D1FIFOCTR 4009 002Eh



| Bit | Symbol | Bit name | Description | R/W |
|----------|-----------|---------------------|----------------------------------------------------------------------------------------------------------------------------------------------------------------------------------|-----|
| b8 to b0 | DTLN[8:0] | Receive Data Length | Receive data length. The meaning of the values differs depending on the RCNT bit setting in the port select register. For details, see the description of the DTLN[8:0] bits. | R |

| Bit | Symbol | Bit name | Description | R/W |
|-----------|--------|--------------------------|----------------------------------------------------------------|-------|
| b12 to b9 | — | Reserved | These bits are read as 0. The write value should be 0. | R/W |
| b13 | FRDY | FIFO Port Ready | 0: FIFO port access disabled. 1: FIFO port access enabled. | R |
| b14 | BCLR | CPU Buffer Clear | 0: Does not operate 1: FIFO buffer cleared on the CPU side. | R/W*1 |
| b15 | BVAL | Buffer Memory Valid Flag | 0: Invalid 1: Writing ended. | R/W |

Note 1. Only 0 can be read.

The CFIFOCTR, D0FIFOCTR, and D1FIFOCTR registers correspond to the CFIFO, D0FIFO, and D1FIFO buffers.

DTLN[8:0] bits (Receive Data Length)

The DTLN[8:0] bits indicate the length of the receive data.

While the FIFO buffer is being read, the DTLN[8:0] bits indicate different values depending on the DnFIFOSEL.RCNT bit ($n = 0, 1$), as follows:

- RCNT = 0
The USBFS sets the DTLN[8:0] bits to indicate the length of the receive data until the CPU or DMA/DTC has read all of the received data from a single FIFO buffer plane.
While the PIPECFG.BFRE bit = 1, the USB retains the length of the receive data until the BCLR bit is set to 1 even after all the data is read.
- RCNT = 1
The USBFS decrements the value indicated by the DTLN[8:0] bits each time data is read from the FIFO buffer. The value is decremented by 1 when the MBW bit is 0, and by 2 when the MBW bit is 1.
The USBFS sets these bits to 0 when all the data is read from one FIFO buffer plane. However, in double buffer mode, if data is received in one FIFO buffer plane before all the data is read from the other plane, the USBFS sets these bits to indicate the length of the receive data in the former plane when all of the data is read from the latter plane.

FRDY bit (FIFO Port Ready)

The FRDY bit indicates whether the FIFO port can be accessed by the CPU or DMA/DTC.

In the following cases, the USBFS sets the FRDY bit to 1 but data cannot be read through the FIFO port because there is no data to be read.

- A zero-length packet is received when the FIFO buffer assigned to the selected pipe is empty
- A short packet is received and the data is completely read while the PIPECFG.BFRE bit = 1.

In these cases, set the BCLR bit to 1 to clear the FIFO buffer, and enable transmission and reception of the next data.

BCLR bit (CPU Buffer Clear)

Set the BCLR bit to 1 to clear the FIFO buffer on the CPU for the selected pipe.

When double buffer mode is set for the FIFO buffer assigned to the selected pipe, the USBFS clears only one plane of the FIFO buffer even when both planes are read-enabled.

When DCP is the selected pipe, setting the BCLR bit to 1 allows the USBFS to clear the FIFO buffer regardless of whether the CPU side or SIE has access rights. To clear the buffer when the SIE has access rights, set the DCPCTR.PID[1:0] bits to 00b (NAK response) before setting the BCLR bit to 1.

When the selected pipe is transmitting, if 1 is written to the BVAL flag and the BCLR bit simultaneously, the USBFS clears the data that is already written, enabling transmission of a zero-length packet.

When DCP is not the selected pipe, only write 1 to the BCLR bit while the FRDY bit in the FIFO port control register is 1 (set by the USBFS).

BVAL flag (Buffer Memory Valid Flag)

Set the BVAL flag to 1 when data is completely written to the FIFO buffer on the CPU for the pipe selected in CURPIPE[3:0].

When the selected pipe is transmitting, set this flag to 1 in the following cases:

- To transmit a short packet, set this flag to 1 after data is written
- To transmit a zero-length packet, set this flag to 1 before data is written to the FIFO buffer.

The USBFS switches the FIFO buffer from the CPU to the SIE, thereby enabling transmission.

When data of the maximum packet size is written for the pipe in continuous transfer mode, the USBFS sets the BVAL flag to 1 and switches the FIFO buffer from the CPU to the SIE, thereby enabling transmission.

Only write 1 to the BVAL flag while the FRDY bit is 1 (set by the USBFS). When the selected pipe is receiving, do not set the BVAL flag to 1.

27.2.7 Interrupt Enable Register 0 (INTENB0)

Address(es): USBFS.INTENB0 4009 0030h

| | b15 | b14 | b13 | b12 | b11 | b10 | b9 | b8 | b7 | b6 | b5 | b4 | b3 | b2 | b1 | b0 |
|--------------------|------|------|------|------|------|-------|-------|-------|----|----|----|----|----|----|----|----|
| | VBSE | RSME | SOFE | DVSE | CTRE | BEMPE | NRDYE | BRDYE | — | — | — | — | — | — | — | — |
| Value after reset: | 0 | 0 | 0 | 0 | 0 | 0 | 0 | 0 | 0 | 0 | 0 | 0 | 0 | 0 | 0 | 0 |

| Bit | Symbol | Bit name | Description | R/W |
|----------|--------|------------------------------------------------------|--------------------------------------------------------------|-----|
| b7 to b0 | — | Reserved | These bits are read as 0. The write value should be 0. | R/W |
| b8 | BRDYE | Buffer Ready Interrupt Enable | 0: Interrupt output disabled 1: Interrupt output enabled. | R/W |
| b9 | NRDYE | Buffer Not Ready Response Interrupt Enable | 0: Interrupt output disabled 1: Interrupt output enabled. | R/W |
| b10 | BEMPE | Buffer Empty Interrupt Enable | 0: Interrupt output disabled 1: Interrupt output enabled. | R/W |
| b11 | CTRE | Control Transfer Stage Transition Interrupt Enable*1 | 0: Interrupt output disabled 1: Interrupt output enabled. | R/W |
| b12 | DVSE | Device State Transition Interrupt Enable*1 | 0: Interrupt output disabled 1: Interrupt output enabled. | R/W |
| b13 | SOFE | Frame Number Update Interrupt Enable | 0: Interrupt output disabled 1: Interrupt output enabled. | R/W |
| b14 | RSME | Resume Interrupt Enable*1 | 0: Interrupt output disabled 1: Interrupt output enabled. | R/W |
| b15 | VBSE | VBUS Interrupt Enable | 0: Interrupt output disabled 1: Interrupt output enabled. | R/W |

Note 1. The RSME, DVSE, and CTRE bits can only be set to 1 in device controller mode. Do not set these bits to 1 in host controller mode.

When a status flag in the INTSTS0 register is set to 1 and the associated interrupt request enable bit setting in the INTENB0 register is 1, the USBFS issues a USBFS interrupt request.

Regardless of the INTENB0 register setting, the status flag in the INTSTS0 register is set to 1 in response to a state change that satisfies the associated condition.

When an interrupt request enable bit in the INTENB0 register is switched from 0 to 1 while the associated status flag in the INTSTS0 register is set to 1, a USBFS interrupt is requested.

27.2.8 Interrupt Enable Register 1 (INTENB1)

Address(es): USBFS.INTENB1 4009 0032h

| | | | | | | | | | | | | | | | | |
|--------------------|--------|-------|-----|-------|---------|-----|----|----|----|---------|-------|-------|----|----|----|------------|
| | b15 | b14 | b13 | b12 | b11 | b10 | b9 | b8 | b7 | b6 | b5 | b4 | b3 | b2 | b1 | b0 |
| | OVRCRE | BCHGE | — | DTCHE | ATTCH E | — | — | — | — | EOFERRE | SIGNE | SACKE | — | — | — | PDDETINTE0 |
| Value after reset: | 0 | 0 | 0 | 0 | 0 | 0 | 0 | 0 | 0 | 0 | 0 | 0 | 0 | 0 | 0 | 0 |

| Bit | Symbol | Bit name | Description | R/W |
|-----------|------------|----------------------------------------------------|--------------------------------------------------------------|-----|
| b0 | PDDETINTE0 | PDDETINT0 Detection Interrupt Enable | 0: Interrupt output disabled 1: Interrupt output enabled. | R/W |
| b3 to b1 | — | Reserved | These bits are read as 0. The write value should be 0. | R/W |
| b4 | SACKE | Setup Transaction Normal Response Interrupt Enable | 0: Interrupt output disabled 1: Interrupt output enabled. | R/W |
| b5 | SIGNE | Setup Transaction Error Interrupt Enable | 0: Interrupt output disabled 1: Interrupt output enabled. | R/W |
| b6 | EOFERRE | EOF Error Detection Interrupt Enable | 0: Interrupt output disabled 1: Interrupt output enabled. | R/W |
| b10 to b7 | — | Reserved | These bits are read as 0. The write value should be 0. | R/W |
| b11 | ATTCH E | Connection Detection Interrupt Enable | 0: Interrupt output disabled 1: Interrupt output enabled. | R/W |
| b12 | DTCHE | Disconnection Detection Interrupt Enable | 0: Interrupt output disabled 1: Interrupt output enabled. | R/W |
| b13 | — | Reserved | This bit is read as 0. The write value should be 0. | R/W |
| b14 | BCHGE | USB Bus Change Interrupt Enable | 0: Interrupt output disabled 1: Interrupt output enabled. | R/W |
| b15 | OVRCRE | Overcurrent Input Change Interrupt Enable | 0: Interrupt output disabled 1: Interrupt output enabled. | R/W |

Note: The bits in INTENB1 can only be set to 1 in host controller mode. Do not set these bits to 1 in device controller mode.

INTENB1 specifies the interrupt masks in host controller mode and for the setup transaction.

When a status flag in the INTSTS1 register sets to 1 and the associated interrupt request enable bit setting in the INTENB1 register is 1, the USBFS issues a USBFS interrupt request.

Regardless of the INTENB1 register setting, the status flag in the INTSTS1 register sets to 1 in response to a state change that satisfies the associated condition.

When an interrupt request enable bit in the INTENB1 register is switched from 0 to 1 while the associated status flag in the INTSTS1 register is set to 1, a USBFS interrupt is requested.

Do not enable interrupts in device controller mode.

27.2.9 BRDY Interrupt Enable Register (BRDYENB)

Address(es): USBFS.BRDYENB 4009 0036h

| | | | | | | | | | | | | | | | | |
|--------------------|-----|-----|-----|-----|-----|-----|----------------|----------------|----------------|----------------|----------------|----------------|----------------|----------------|----------------|----------------|
| | b15 | b14 | b13 | b12 | b11 | b10 | b9 | b8 | b7 | b6 | b5 | b4 | b3 | b2 | b1 | b0 |
| | — | — | — | — | — | — | PIPE9B RDYE | PIPE8B RDYE | PIPE7B RDYE | PIPE6B RDYE | PIPE5B RDYE | PIPE4B RDYE | PIPE3B RDYE | PIPE2B RDYE | PIPE1B RDYE | PIPE0B RDYE |
| Value after reset: | 0 | 0 | 0 | 0 | 0 | 0 | 0 | 0 | 0 | 0 | 0 | 0 | 0 | 0 | 0 | 0 |

| Bit | Symbol | Bit name | Description | R/W |
|------------|------------|---------------------------------|--------------------------------------------------------------|-----|
| b0 | PIPE0BRDYE | BRDY Interrupt Enable for PIPE0 | 0: Interrupt output disabled 1: Interrupt output enabled | R/W |
| b1 | PIPE1BRDYE | BRDY Interrupt Enable for PIPE1 | 0: Interrupt output disabled 1: Interrupt output enabled. | R/W |
| b2 | PIPE2BRDYE | BRDY Interrupt Enable for PIPE2 | 0: Interrupt output disabled 1: Interrupt output enabled. | R/W |
| b3 | PIPE3BRDYE | BRDY Interrupt Enable for PIPE3 | 0: Interrupt output disabled 1: Interrupt output enabled. | R/W |
| b4 | PIPE4BRDYE | BRDY Interrupt Enable for PIPE4 | 0: Interrupt output disabled 1: Interrupt output enabled. | R/W |
| b5 | PIPE5BRDYE | BRDY Interrupt Enable for PIPE5 | 0: Interrupt output disabled 1: Interrupt output enabled. | R/W |
| b6 | PIPE6BRDYE | BRDY Interrupt Enable for PIPE6 | 0: Interrupt output disabled 1: Interrupt output enabled. | R/W |
| b7 | PIPE7BRDYE | BRDY Interrupt Enable for PIPE7 | 0: Interrupt output disabled 1: Interrupt output enabled. | R/W |
| b8 | PIPE8BRDYE | BRDY Interrupt Enable for PIPE8 | 0: Interrupt output disabled 1: Interrupt output enabled. | R/W |
| b9 | PIPE9BRDYE | BRDY Interrupt Enable for PIPE9 | 0: Interrupt output disabled 1: Interrupt output enabled. | R/W |
| b15 to b10 | — | Reserved | These bits are read as 0. The write value should be 0. | R/W |

The BRDYENB register enables or disables the INTSTS0.BRDY bit to be set to 1 when the BRDY interrupt is detected for each pipe.

When a status flag in the BRDYSTS register is set to 1 and the associated PIPE_nBRDYE bit (n = 0 to 9) setting in the BRDYENB register is 1, the INTSTS0.BRDY flag is set to 1. In this case, if the BRDYE bit in INTENB0 is 1, the USBFS generates a BRDY interrupt request.

While at least one PIPE_nBRDY bit indicates 1, the USBFS generates the BRDY interrupt request when the associated interrupt request enable bit in the BRDYENB register is changed from 0 to 1 by the software.

27.2.10 NRDY Interrupt Enable Register (NRDYENB)

Address(es): USBFS.NRDYENB 4009 0038h

| | | | | | | | | | | | | | | | | |
|--------------------|-----|-----|-----|-----|-----|-----|------------|------------|------------|------------|------------|------------|------------|------------|------------|------------|
| | b15 | b14 | b13 | b12 | b11 | b10 | b9 | b8 | b7 | b6 | b5 | b4 | b3 | b2 | b1 | b0 |
| | — | — | — | — | — | — | PIPE9NRDYE | PIPE8NRDYE | PIPE7NRDYE | PIPE6NRDYE | PIPE5NRDYE | PIPE4NRDYE | PIPE3NRDYE | PIPE2NRDYE | PIPE1NRDYE | PIPE0NRDYE |
| Value after reset: | 0 | 0 | 0 | 0 | 0 | 0 | 0 | 0 | 0 | 0 | 0 | 0 | 0 | 0 | 0 | 0 |

| Bit | Symbol | Bit name | Description | R/W |
|------------|------------|---------------------------------|--------------------------------------------------------------|-----|
| b0 | PIPE0NRDYE | NRDY Interrupt Enable for PIPE0 | 0: Interrupt output disabled 1: Interrupt output enabled. | R/W |
| b1 | PIPE1NRDYE | NRDY Interrupt Enable for PIPE1 | 0: Interrupt output disabled 1: Interrupt output enabled. | R/W |
| b2 | PIPE2NRDYE | NRDY Interrupt Enable for PIPE2 | 0: Interrupt output disabled 1: Interrupt output enabled. | R/W |
| b3 | PIPE3NRDYE | NRDY Interrupt Enable for PIPE3 | 0: Interrupt output disabled 1: Interrupt output enabled. | R/W |
| b4 | PIPE4NRDYE | NRDY Interrupt Enable for PIPE4 | 0: Interrupt output disabled 1: Interrupt output enabled. | R/W |
| b5 | PIPE5NRDYE | NRDY Interrupt Enable for PIPE5 | 0: Interrupt output disabled 1: Interrupt output enabled. | R/W |
| b6 | PIPE6NRDYE | NRDY Interrupt Enable for PIPE6 | 0: Interrupt output disabled 1: Interrupt output enabled. | R/W |
| b7 | PIPE7NRDYE | NRDY Interrupt Enable for PIPE7 | 0: Interrupt output disabled 1: Interrupt output enabled. | R/W |
| b8 | PIPE8NRDYE | NRDY Interrupt Enable for PIPE8 | 0: Interrupt output disabled 1: Interrupt output enabled. | R/W |
| b9 | PIPE9NRDYE | NRDY Interrupt Enable for PIPE9 | 0: Interrupt output disabled 1: Interrupt output enabled. | R/W |
| b15 to b10 | — | Reserved | These bits are read as 0. The write value should be 0. | R/W |

The NRDYENB register enables or disables the INTSTS0.NRDY bit to be set to 1 when the NRDY interrupt is detected for each pipe.

When a status flag in the NRDYSTS register is set to 1 and the associated PIPE_nNRDYE (n = 0 to 9) bit setting in the NRDYENB register is 1, the INTSTS0.NRDY flag is set to 1. In this case, if the NRDYE bit in INTENB0 is 1, the USBFS generates a NRDY interrupt request.

While at least one PIPE_nNRDYE bit indicates 1, the USBFS generates the NRDY interrupt request when the associated interrupt enable bit in the NRDYENB register is changed from 0 to 1 by software.

27.2.11 BEMP Interrupt Enable Register (BEMPENB)

Address(es): USBFS.BEMPENB 4009 003Ah

| | | | | | | | | | | | | | | | | |
|--------------------|-----|-----|-----|-----|-----|-----|----------------|----------------|----------------|----------------|----------------|----------------|----------------|----------------|----------------|----------------|
| | b15 | b14 | b13 | b12 | b11 | b10 | b9 | b8 | b7 | b6 | b5 | b4 | b3 | b2 | b1 | b0 |
| | — | — | — | — | — | — | PIPE9B EMPE | PIPE8B EMPE | PIPE7B EMPE | PIPE6B EMPE | PIPE5B EMPE | PIPE4B EMPE | PIPE3B EMPE | PIPE2B EMPE | PIPE1B EMPE | PIPE0B EMPE |
| Value after reset: | 0 | 0 | 0 | 0 | 0 | 0 | 0 | 0 | 0 | 0 | 0 | 0 | 0 | 0 | 0 | 0 |

| Bit | Symbol | Bit name | Description | R/W |
|------------|------------|---------------------------------|--------------------------------------------------------------|-----|
| b0 | PIPE0BEMPE | BEMP Interrupt Enable for PIPE0 | 0: Interrupt output disabled 1: Interrupt output enabled. | R/W |
| b1 | PIPE1BEMPE | BEMP Interrupt Enable for PIPE1 | 0: Interrupt output disabled 1: Interrupt output enabled. | R/W |
| b2 | PIPE2BEMPE | BEMP Interrupt Enable for PIPE2 | 0: Interrupt output disabled 1: Interrupt output enabled. | R/W |
| b3 | PIPE3BEMPE | BEMP Interrupt Enable for PIPE3 | 0: Interrupt output disabled 1: Interrupt output enabled. | R/W |
| b4 | PIPE4BEMPE | BEMP Interrupt Enable for PIPE4 | 0: Interrupt output disabled 1: Interrupt output enabled. | R/W |
| b5 | PIPE5BEMPE | BEMP Interrupt Enable for PIPE5 | 0: Interrupt output disabled 1: Interrupt output enabled. | R/W |
| b6 | PIPE6BEMPE | BEMP Interrupt Enable for PIPE6 | 0: Interrupt output disabled 1: Interrupt output enabled. | R/W |
| b7 | PIPE7BEMPE | BEMP Interrupt Enable for PIPE7 | 0: Interrupt output disabled 1: Interrupt output enabled. | R/W |
| b8 | PIPE8BEMPE | BEMP Interrupt Enable for PIPE8 | 0: Interrupt output disabled 1: Interrupt output enabled. | R/W |
| b9 | PIPE9BEMPE | BEMP Interrupt Enable for PIPE9 | 0: Interrupt output disabled 1: Interrupt output enabled. | R/W |
| b15 to b10 | — | Reserved | These bits are read as 0. The write value should be 0. | R/W |

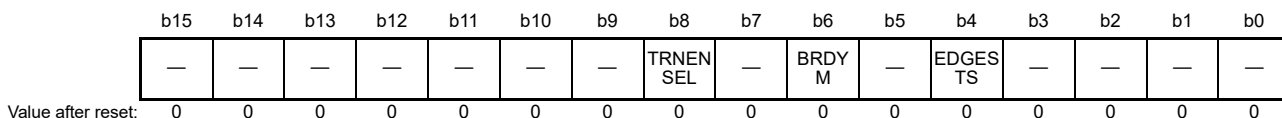
The BEMPENB register enables or disables the INTSTS0.BEMP bit to be set to 1 when the BEMP interrupt is detected for each pipe.

When a status flag in the BEMPSTS register is set to 1 and the associated PIPE n BEMPE ($n = 0$ to 9) bit setting in the BEMPENB register is 1, the INTSTS0.BEMP flag is set to 1. In this case, if the BEMPE bit in INTENB0 is 1, the USBFS generates a BEMP interrupt request.

While at least one PIPE n BEMPE bit indicates 1, the USBFS generates the BEMP interrupt request when the associated interrupt enable bit in the BEMPENB register is changed from 0 to 1 by software.

27.2.12 SOF Output Configuration Register (SOFCFG)

Address(es): [USBFS.SOFCFG 4009 003Ch](#)



| Bit | Symbol | Bit name | Description | R/W |
|-----------|--------------------------|----------------------------------------|--------------------------------------------------------------------------------------------------------------------------------------------------|-----|
| b3 to b0 | — | Reserved | These bits are read as 0. The write value should be 0. | R/W |
| b4 | EDGESTS | Edge Interrupt Output Status Monitor*1 | Indicates 1 during the edge processing of an edge interrupt output signal. | R |
| b5 | — | Reserved | This bit is read as 0. The write value should be 0. | R/W |
| b6 | BRDYM | BRDY Interrupt Status Clear Timing | 0: BRDY flag cleared by software 1: BRDY flag cleared by the USBFS through a data read from the FIFO buffer or data write to the FIFO buffer. | R/W |
| b7 | — | Reserved | This bit is read as 0. The write value should be 0. | R/W |
| b8 | TRNENSEL | Transaction-Enabled Time Select*1 | 0: Not low-speed communication 1: Low-speed communication. | R/W |
| b15 to b9 | — | Reserved | These bits are read as 0. The write value should be 0. | R/W |

Note 1. Confirm that this bit is 0 before stopping the clock supply to the USBFS.

[EDGESTS bit \(Edge Interrupt Output Status Monitor\)](#)

The EDGESTS bit indicates 1 during the edge processing of an edge interrupt output signal. Confirm that this bit is 0 before stopping the clock supply to the USBFS.

[BRDYM bit \(BRDY Interrupt Status Clear Timing\)](#)

The BRDYM bit specifies the timing for clearing the BRDY interrupt status for each pipe.

[TRNENSEL bit \(Transaction-Enabled Time Select\)](#)

When the USB port is in use for full- or low-speed communications, the TRNENSEL bit specifies the timing with which the USBFS issues tokens in a frame (transaction-enabled time).

Set this bit to 1 when a low-speed device is connected. The bit is only valid in host controller mode. Set this bit to 0 in device controller mode.

27.2.13 Interrupt Status Register 0 (INTSTS0)

Address(es): USBFS.INTSTS0 4009 0040h

| | | | | | | | | | | | | | | | |
|------------------------------------------------------------------|------|------|------|-------|------|------|------|-------|-----------|----|-------|-----------|----|----|----|
| b15 | b14 | b13 | b12 | b11 | b10 | b9 | b8 | b7 | b6 | b5 | b4 | b3 | b2 | b1 | b0 |
| VBINT | RESM | SOFR | DVST | CTRTR | BEMP | NRDY | BRDY | VBSTS | DVSQ[2:0] | | VALID | CTSQ[2:0] | | | |
| Value after reset: 0 0 0 0/1*1 0 0 0 0 0*2 0*3 0*3 0/1*3 0 0 0 0 | | | | | | | | | | | | | | | |

| Bit | Symbol | Bit name | Description | R/W |
|----------|------------------|------------------------------------------------------|-----------------------------------------------------------------------------------------------------------------------------------------------------------------------------------------------------------------------------------------------------------------------------|-------|
| b2 to b0 | CTSQ[2:0] | Control Transfer Stage | b2 b0 0 0 0: Idle or setup stage 0 0 1: Control read data stage 0 1 0: Control read status stage 0 1 1: Control write data stage 1 0 0: Control write status stage 1 0 1: Control write (no data) status stage 1 1 0: Control transfer sequence error. | R |
| b3 | VALID | USB Request Reception | 0: Setup packet is not received 1: Setup packet is received. | R/W*4 |
| b6 to b4 | DVSQ[2:0] | Device State | b6 b4 0 0 0: Powered state 0 0 1: Default state 0 1 0: Address state 0 1 1: Configured state 1 x x: Suspended state. | R |
| b7 | VBSTS | VBUS Input Status | 0: USB_VBUS pin is low 1: USB_VBUS pin is high. | R |
| b8 | BRDY | Buffer Ready Interrupt Status | 0: BRDY interrupts are not generated 1: BRDY interrupts are generated. | R |
| b9 | NRDY | Buffer Not Ready Interrupt Status | 0: NRDY interrupts are not generated 1: NRDY interrupts are generated. | R |
| b10 | BEMP | Buffer Empty Interrupt Status | 0: BEMP interrupts are not generated 1: BEMP interrupts are generated. | R |
| b11 | CTRTR | Control Transfer Stage Transition Interrupt Status*5 | 0: Control transfer stage transition interrupts are not generated 1: Control transfer stage transition interrupts are generated. | R/W*4 |
| b12 | DVST | Device State Transition Interrupt Status*5 | 0: Device state transition interrupts are not generated 1: Device state transition interrupts are generated. | R/W*4 |
| b13 | SOFR | Frame Number Refresh Interrupt Status | 0: SOF interrupts are not generated 1: SOF interrupts are generated. | R/W*4 |
| b14 | RESM | Resume Interrupt Status*5,*6 | 0: Resume interrupts are not generated 1: Resume interrupts are generated. | R/W*4 |
| b15 | VBINT | VBUS Interrupt Status*6 | 0: VBUS interrupts are not generated 1: VBUS interrupts are generated. | R/W*4 |

x: Don't care

- Note 1. The value is 0 when the MCU is reset and is 1 after a USB bus reset.
- Note 2. The value is 1 when the USB_VBUS pin is high and 0 when the USB_VBUS pin is low.
- Note 3. The value is 000b when the MCU is reset and 001b after a USB bus reset.
- Note 4. To clear the VBINT, RESM, SOFR, DVST, CTRTR, or VALID bit, write 0 only to the bits to be cleared. Write 1 to the other bits. Do not write 0 to the status bits indicating 0.
- Note 5. The status of the RESM, DVST, and CTRTR bits are changed only in device controller mode. Set the associated interrupt enable bits to 0 (disabled) in host controller mode.
- Note 6. The USBFS detects a change in the status indicated by the VBINT and RESM bits even while the clock supply is stopped (SCKE bit = 0), and it requests the interrupt when the associated interrupt request bit is 1. Enable the clock supply before clearing the status through software.

CTSQ[2:0] bits (Control Transfer Stage)

In host controller mode, the read value is invalid.

VALID bit (USB Request Reception)

In host controller mode, the read value is invalid.

DVSQ[2:0] bits (Device State)

The DVSQ[2:0] bits are initialized by a USB bus reset. In host controller mode, the read value is invalid.

BRDY bit (Buffer Ready Interrupt Status)

The BRDY bit indicates the BRDY interrupt status.

The USBFS sets the BRDY bit to 1 when it detects a BRDY interrupt status (PIPE_nBRDY = 1, n = 0 to 9) on at least one pipe for which BRDY interrupts are enabled (BRDYENB.PIPE_nBRDYE = 1).

For the conditions that cause the PIPE_nBRDY status to be asserted, see [section 27.3.3.1, BRDY interrupt](#).

The USBFS sets the BRDY bit to 0 when software writes 0 to all the PIPE_nBRDY bits associated with the PIPE_nBRDYE bits that are set to 1. The BRDY bit cannot be set to 0 even if 0 is written to this bit by software.

NRDY bit (Buffer Not Ready Interrupt Status)

The USBFS sets the NRDY bit to 1 when at least one PIPE_nNRDY bit (n = 0 to 9) is set to 1 for the PIPE_nNRDY bits associated with the PIPE_nNRDYE bits (n = 0 to 9) that is set to 1 (when the USBFS detects the NRDY interrupt status in at least one pipe from the pipes for which software enables the NRDY interrupt output).

For the conditions that cause the PIPE_nNRDY status to be asserted, see [section 27.3.3.2, NRDY interrupt](#).

The USBFS sets the NRDY bit to 0 when software writes 0 to all the PIPE_nNRDY bits associated with the PIPE_nNRDYE bits that are set to 1. The NRDY bit cannot be set to 0 even if 0 is written to this bit by software.

BEMP bit (Buffer Empty Interrupt Status)

This bit indicates the BEMP interrupt status.

The USBFS sets the BEMP bit to 1 when it detects a BEMP interrupt status (PIPE_nBEMP = 1, n = 0 to 9) on at least one pipe for which BEMP interrupts are enabled (BEMPENB.PIPE_nBEMPE = 1).

For the conditions that cause the PIPE_nBEMP status to be asserted, see [section 27.3.3.3, BEMP interrupt](#).

The USBFS sets the BEMP bit to 0 when software writes 0 to all of the PIPE_nBEMP bits associated with the PIPE_nBEMPE bits that are set to 1. Writing 0 to the BEMP bit in the software does not clear the bit.

CTRT bit (Control Transfer Stage Transition Interrupt Status)

In device controller mode, the USBFS updates the value of the CTSQ[2:0] bits and sets the CTRT bit to 1 when detecting a change in the control transfer stage. When a control transfer stage transition interrupt is generated, clear the CTRT bit before the USBFS detects the next control transfer stage transition.

Values read from the CTRT bit in host controller mode are invalid.

DVST bit (Device State Transition Interrupt Status)

In device controller mode, the USBFS updates the value of the DVSQ[2:0] bits and sets the DVST bit to 1 on detecting a change in the device state. When a device state transition interrupt is generated, clear the DVST bit before the USBFS detects the next device state transition.

Values read from the DVST bit in host controller mode are invalid.

SOFR bit (Frame Number Refresh Interrupt Status)

In host controller mode, the USBFS sets the SOFR bit to 1 when updating the frame number (when the DVSTCTR0.UACT bit is set to 1 by software). An SOFR interrupt is detected every 1 ms.

In device controller mode, the USBFS sets the SOFR bit to 1 when updating the frame number. An SOFR interrupt is detected every 1 ms.

The USBFS can detect an SOFR interrupt through the internal interpolation function even when a corrupted SOF packet is received from the USB host.

RESM bit (Resume Interrupt Status)

In device controller mode, the USBFS sets the RESM bit to 1 on detecting the falling edge of the signal on the USB_DP pin in the suspended state (DVSQ[2:0] = 1xxb). Values read from the RESM bit in host controller mode are invalid.

VBINT bit (VBUS Interrupt Status)

The USBFS sets the VBINT bit to 1 on detecting a level change (high to low or low to high) in the USB_VBUS pin input value. The USBFS sets the VBSTS bit to indicate the USB_VBUS pin input value. When a VBUS interrupt is generated, eliminate transient elements by reading the VBSTS bit at least three times through software processing and check that the values read are the same.

27.2.14 Interrupt Status Register 1 (INTSTS1)

Address(es): USBFS.INTSTS1 4009 0042h

| | b15 | b14 | b13 | b12 | b11 | b10 | b9 | b8 | b7 | b6 | b5 | b4 | b3 | b2 | b1 | b0 |
|--------------------|-------|------|-----|------|-------|-----|----|----|----|--------|------|------|----|----|----|------------|
| | OVRCR | BCHG | — | DTCH | ATTCH | — | — | — | — | EOFERR | SIGN | SACK | — | — | — | PDDDETINT0 |
| Value after reset: | 0 | 0 | 0 | 0 | 0 | 0 | 0 | 0 | 0 | 0 | 0 | 0 | 0 | 0 | 0 | 0 |

| Bit | Symbol | Bit name | Description | R/W |
|-----------|------------|----------------------------------------------------|-----------------------------------------------------------------------------------------------------|-----------|
| b0 | PDDDETINT0 | PDDDET0 Detection Interrupt Status | 0: PDDDET0 detection interrupts are not generated 1: PDDDET0 detection interrupts are generated. | R/W *1 |
| b3 to b1 | — | Reserved | These bits are read as 0. The write value should be 0. | R/W |
| b4 | SACK | Setup Transaction Normal Response Interrupt Status | 0: SACK interrupts are not generated 1: SACK interrupts are generated. | R/W *1 |
| b5 | SIGN | Setup Transaction Error Interrupt Status | 0: SIGN interrupts are not generated 1: SIGN interrupts are generated. | R/W *1 |
| b6 | EOFERR | EOF Error Detection Interrupt Status | 0: EOFERR interrupts are not generated 1: EOFERR interrupts are generated. | R/W *1 |
| b10 to b7 | — | Reserved | These bits are read as 0. The write value should be 0. | R/W |
| b11 | ATTCH | ATTCH Interrupt Status | 0: ATTCH interrupts are not generated 1: ATTCH interrupts are generated. | R/W *1 |
| b12 | DTCH | USB Disconnection Detection Interrupt Status | 0: DTCH interrupts are not generated. 1: DTCH interrupts are generated. | R/W *1 |
| b13 | — | Reserved | This bit is read as 0. The write value should be 0. | R/W |
| b14 | BCHG | USB Bus Change Interrupt Status*2 | 0: BCHG interrupts are not generated 1: BCHG interrupts are generated. | R/W *1 |
| b15 | OVRRCR | Overcurrent Input Change Interrupt Status*2 | 0: OVRRCR interrupts are not generated 1: OVRRCR interrupts are generated. | R/W *1 |

Note 1. To clear the bits in INTSTS1, write 0 only to the bits to be cleared. Write 1 to the other bits.

Note 2. The USBFS detects a change in the status in the OVRRCR or BCHG bit even when the clock supply is stopped (SYSCFG.SCKE = 0), and it requests the interrupt when the associated interrupt request bit is 1. Enable the clock supply (SYSCFG.SCKE = 1) before clearing the status with software. No other interrupts can be detected while the clock supply is stopped (SYSCFG.SCKE bit = 0).

INTSTS1 is used to confirm the status of each interrupt in host controller mode. Only enable the status change interrupts indicated in the bits in INTSTS1 in host controller mode.

PDDDETINT0 bit (PDDDET0 Detection Interrupt Status)

The PDDDETINT0 bit indicates the status of the portable device detection interrupt in host controller mode. This bit is set to 1 when the USBFS detects a level change (high to low or low to high) in the input value to the VDPDET pin of the USB physical layer transceiver (PHY). The USBFS sets the PDDDETSTS0 bit to indicate the VDPDET input value. When the PDDDETINT interrupt is generated, eliminate transient elements by reading the PDDDETSTS0 bit at least three times through software processing and check that the values read are the same.

SACK bit (Setup Transaction Normal Response Interrupt Status)

The SACK bit indicates the status of the setup transaction normal response interrupt in host controller mode.

The USBFS detects the SACK interrupt and sets this bit to 1 when an ACK response is returned from the peripheral device during the setup transactions issued by the USBFS. If the associated interrupt enable bit is set to 1 by software, the USBFS generates the interrupt.

Values read from the SACK bit in device controller mode are invalid.

SIGN bit (Setup Transaction Error Interrupt Status)

The SIGN bit indicates the status of the setup transaction error interrupt in host controller mode.

The USBFS detects the SIGN interrupt and sets this bit to 1 when an ACK response is not returned from the peripheral device three consecutive times during the setup transactions issued by the USBFS. If the associated interrupt enable bit is set to 1 by software, the USBFS generates the interrupt.

The USBFS detects the SIGN interrupt when any of the following response conditions occur for three consecutive setup transactions:

- Timeout is detected by the USBFS when the peripheral device has returned no response
- A corrupted ACK packet is received
- A handshake other than ACK (NAK, NYET, or STALL) is received.

Values read from the SIGN bit in device controller mode are invalid.

EOFERR bit (EOF Error Detection Interrupt Status)

The EOFERR bit indicates the status of the EOFERR interrupt in host controller mode.

The USBFS detects the EOFERR interrupt and sets this bit to 1 on detecting that communication did not complete at the EOF2 timing defined in the USB 2.0 specification. If the associated interrupt enable bit is set to 1 by software, the USBFS generates the interrupt.

After detecting the EOFERR interrupt, the USBFS controls the hardware as follows, regardless of the associated interrupt enable bit setting:

- Sets the DVSTCTR0.UACT bit for the port in which the EOFERR interrupt was detected to 0
- Puts the port in which the EOFERR interrupt occurred into the idle state.

The software re-enumerates the USB port after terminating all the pipes in communication.

Values read from the EOFERR flag in device controller mode are invalid.

ATTCH bit (ATTCH Interrupt Status)

The ATTCH bit indicates the status of USB attach detection interrupts in host controller mode.

The USBFS detects the ATTCH interrupt and sets this bit to 1 on detecting a J- or K-state on the full- or low-speed signal level for 2.5 μ s. If the associated interrupt enable bit is set to 1 by software, the USBFS generates the interrupt.

The USBFS detects the ATTCH interrupt on any of the following conditions:

- K-state, SE0, or SE1 changes to J-state, and J-state continues for 2.5 μ s
- J-state, SE0, or SE1 changes to K-state, and K-state continues for 2.5 μ s

Values read from the ATTCH bit in device controller mode are invalid.

DTCH bit (USB Disconnection Detection Interrupt Status)

The DTCH bit indicates the status of USB disconnection detection interrupts in host controller mode.

The USBFS detects the DTCH interrupt and sets this bit to 1 on detecting a USB bus detach event. If the associated interrupt enable bit is set to 1 by software, the USBFS generates the interrupt.

The USBFS detects bus detach events based on the USB 2.0 specification.

After detecting the DTCH interrupt, the USBFS controls hardware as follows, regardless of the associated interrupt

enable bit setting:

- Sets the DVSTCTR0.UACT bit for the port in which the DTCH interrupt was detected to 0
- Puts the port in which the DTCH interrupt is generated into the idle state.

The software must terminate all pipes in communication and invoke the wait state for attaching to the USB port (waiting for ATTCH interrupt generation).

Values read from the DTCH flag in device controller mode are invalid.

BCHG bit (USB Bus Change Interrupt Status)

The BCHG bit indicates the status of USB bus change interrupts in host controller mode.

The USBFS detects the BCHG interrupt and sets this bit to 1 when a change in the full- or low-speed signal level occurs on the USB port. This includes any change from J-state, K-state, or SE0 to J-state, K-state, or SE0. If the associated interrupt enable bit is set to 1 by the software, the USBFS generates the interrupt.

The USBFS sets the LNST[1:0] bits to indicate the current input state of the USB port. When a BCHG interrupt is generated, eliminate transient elements by repeat reading the LNST[1:0] bits by software until the same value is read at least three times.

Change in the USB bus state can be detected while the internal clock is stopped.

Values read from the BCHG flag in device controller mode are invalid.

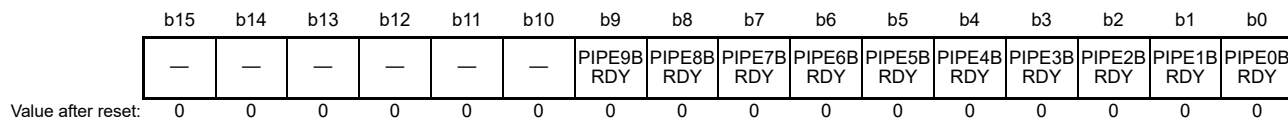
OVRCCR bit (Overcurrent Input Change Interrupt Status)

The OVRCCR bit indicates the status of the USB_OVRCURA and USB_OVRCURB input pin change interrupt.

The USBFS detects the OVRCCR interrupt and sets this bit to 1 when a change (high to low or low to high) occurs in at least one of the input values to the USB_OVRCURA and USB_OVRCURB pins. If the associated interrupt enable bit is set to 1 by software, the USBFS generates the interrupt.

27.2.15 BRDY Interrupt Status Register (BRDYSTS)

Address(es): USBFS.BRDYSTS 4009 0046h



| Bit | Symbol | Bit name | Description | R/W |
|-----|-----------|-----------------------------------|-----------------------------------------------------------------|-----------|
| b0 | PIPE0BRDY | BRDY Interrupt Status for PIPE0*2 | 0: Interrupts are not generated 1: Interrupts are generated. | R/W *1 |
| b1 | PIPE1BRDY | BRDY Interrupt Status for PIPE1*2 | 0: Interrupts are not generated 1: Interrupts are generated. | R/W *1 |
| b2 | PIPE2BRDY | BRDY Interrupt Status for PIPE2*2 | 0: Interrupts are not generated 1: Interrupts are generated. | R/W *1 |
| b3 | PIPE3BRDY | BRDY Interrupt Status for PIPE3*2 | 0: Interrupts are not generated 1: Interrupts are generated. | R/W *1 |
| b4 | PIPE4BRDY | BRDY Interrupt Status for PIPE4*2 | 0: Interrupts are not generated 1: Interrupts are generated. | R/W *1 |
| b5 | PIPE5BRDY | BRDY Interrupt Status for PIPE5*2 | 0: Interrupts are not generated 1: Interrupts are generated. | R/W *1 |
| b6 | PIPE6BRDY | BRDY Interrupt Status for PIPE6*2 | 0: Interrupts are not generated 1: Interrupts are generated. | R/W *1 |
| b7 | PIPE7BRDY | BRDY Interrupt Status for PIPE7*2 | 0: Interrupts are not generated 1: Interrupts are generated. | R/W *1 |

| Bit | Symbol | Bit name | Description | R/W |
|------------|-----------|-----------------------------------|-----------------------------------------------------------------|-----------|
| b8 | PIPE8BRDY | BRDY Interrupt Status for PIPE8*2 | 0: Interrupts are not generated 1: Interrupts are generated. | R/W *1 |
| b9 | PIPE9BRDY | BRDY Interrupt Status for PIPE9*2 | 0: Interrupts are not generated 1: Interrupts are generated. | R/W *1 |
| b15 to b10 | — | Reserved | These bits are read as 0. The write value should be 0. | R/W |

Note 1. When the SOFCFG.BRDYM bit is set to 0, to clear the status indicated by the bits in BRDYSTS, write 0 only to the bits to be cleared. Write 1 to the other bits.

Note 2. When the SOFCFG.BRDYM bit is set to 0, clear the BRDY interrupts before accessing the FIFO.

27.2.16 NRDY Interrupt Status Register (NRDYSTS)

Address(es): USBFS.NRDYSTS 4009 0048h

| | b15 | b14 | b13 | b12 | b11 | b10 | b9 | b8 | b7 | b6 | b5 | b4 | b3 | b2 | b1 | b0 |
|--------------------|-----|-----|-----|-----|-----|-----|---------------|---------------|---------------|---------------|---------------|---------------|---------------|---------------|---------------|---------------|
| | — | — | — | — | — | — | PIPE9N RDY | PIPE8N RDY | PIPE7N RDY | PIPE6N RDY | PIPE5N RDY | PIPE4N RDY | PIPE3N RDY | PIPE2N RDY | PIPE1N RDY | PIPE0N RDY |
| Value after reset: | 0 | 0 | 0 | 0 | 0 | 0 | 0 | 0 | 0 | 0 | 0 | 0 | 0 | 0 | 0 | 0 |

| Bit | Symbol | Bit name | Description | R/W |
|------------|-----------|---------------------------------|-----------------------------------------------------------------|-----------|
| b0 | PIPE0NRDY | NRDY Interrupt Status for PIPE0 | 0: Interrupts are not generated 1: Interrupts are generated. | R/W *1 |
| b1 | PIPE1NRDY | NRDY Interrupt Status for PIPE1 | 0: Interrupts are not generated 1: Interrupts are generated. | R/W *1 |
| b2 | PIPE2NRDY | NRDY Interrupt Status for PIPE2 | 0: Interrupts are not generated 1: Interrupts are generated. | R/W *1 |
| b3 | PIPE3NRDY | NRDY Interrupt Status for PIPE3 | 0: Interrupts are not generated 1: Interrupts are generated. | R/W *1 |
| b4 | PIPE4NRDY | NRDY Interrupt Status for PIPE4 | 0: Interrupts are not generated 1: Interrupts are generated. | R/W *1 |
| b5 | PIPE5NRDY | NRDY Interrupt Status for PIPE5 | 0: Interrupts are not generated 1: Interrupts are generated. | R/W *1 |
| b6 | PIPE6NRDY | NRDY Interrupt Status for PIPE6 | 0: Interrupts are not generated 1: Interrupts are generated. | R/W *1 |
| b7 | PIPE7NRDY | NRDY Interrupt Status for PIPE7 | 0: Interrupts are not generated 1: Interrupts are generated. | R/W *1 |
| b8 | PIPE8NRDY | NRDY Interrupt Status for PIPE8 | 0: Interrupts are not generated 1: Interrupts are generated. | R/W *1 |
| b9 | PIPE9NRDY | NRDY Interrupt Status for PIPE9 | 0: Interrupts are not generated 1: Interrupts are generated. | R/W *1 |
| b15 to b10 | — | Reserved | These bits are read as 0. The write value should be 0. | R/W |

Note 1. To clear the status indicated by the bits in NRDYSTS, write 0 only to the bits to be cleared. Write 1 to the other bits.

27.2.17 BEMP Interrupt Status Register (BEMPSTS)

Address(es): USBFS.BEMPSTS 4009 004Ah

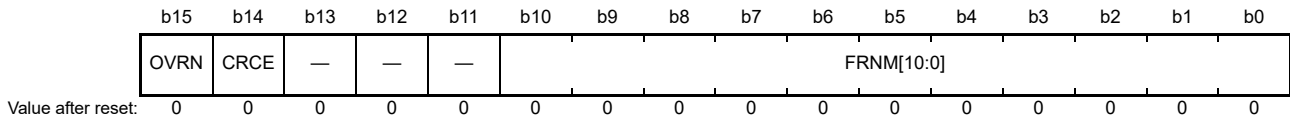
| | | | | | | | | | | | | | | | | |
|--------------------|-----|-----|-----|-----|-----|-----|---------------|---------------|---------------|---------------|---------------|---------------|---------------|---------------|---------------|---------------|
| | b15 | b14 | b13 | b12 | b11 | b10 | b9 | b8 | b7 | b6 | b5 | b4 | b3 | b2 | b1 | b0 |
| | — | — | — | — | — | — | PIPE9B EMP | PIPE8B EMP | PIPE7B EMP | PIPE6B EMP | PIPE5B EMP | PIPE4B EMP | PIPE3B EMP | PIPE2B EMP | PIPE1B EMP | PIPE0B EMP |
| Value after reset: | 0 | 0 | 0 | 0 | 0 | 0 | 0 | 0 | 0 | 0 | 0 | 0 | 0 | 0 | 0 | 0 |

| Bit | Symbol | Bit name | Description | R/W |
|------------|-----------|---------------------------------|-----------------------------------------------------------------|-----------|
| b0 | PIPE0BEMP | BEMP Interrupt Status for PIPE0 | 0: Interrupts are not generated 1: Interrupts are generated. | R/W *1 |
| b1 | PIPE1BEMP | BEMP Interrupt Status for PIPE1 | 0: Interrupts are not generated 1: Interrupts are generated. | R/W *1 |
| b2 | PIPE2BEMP | BEMP Interrupt Status for PIPE2 | 0: Interrupts are not generated 1: Interrupts are generated. | R/W *1 |
| b3 | PIPE3BEMP | BEMP Interrupt Status for PIPE3 | 0: Interrupts are not generated 1: Interrupts are generated. | R/W *1 |
| b4 | PIPE4BEMP | BEMP Interrupt Status for PIPE4 | 0: Interrupts are not generated 1: Interrupts are generated. | R/W *1 |
| b5 | PIPE5BEMP | BEMP Interrupt Status for PIPE5 | 0: Interrupts are not generated 1: Interrupts are generated. | R/W *1 |
| b6 | PIPE6BEMP | BEMP Interrupt Status for PIPE6 | 0: Interrupts are not generated 1: Interrupts are generated. | R/W *1 |
| b7 | PIPE7BEMP | BEMP Interrupt Status for PIPE7 | 0: Interrupts are not generated 1: Interrupts are generated. | R/W *1 |
| b8 | PIPE8BEMP | BEMP Interrupt Status for PIPE8 | 0: Interrupts are not generated 1: Interrupts are generated. | R/W *1 |
| b9 | PIPE9BEMP | BEMP Interrupt Status for PIPE9 | 0: Interrupts are not generated 1: Interrupts are generated. | R/W *1 |
| b15 to b10 | — | Reserved | These bits are read as 0. The write value should be 0. | R/W |

Note 1. To clear the status indicated by the bits in BEMPSTS, write 0 only to the bits to be cleared. Write 1 to the other bits.

27.2.18 Frame Number Register (FRMNUM)

Address(es): USBFS.FRNUM 4009 004Ch



| Bit | Symbol | Bit name | Description | R/W |
|------------|------------|-----------------------------------|--------------------------------------------------------|-------|
| b10 to b0 | FRNM[10:0] | Frame Number | Latest frame number | R |
| b13 to b11 | — | Reserved | These bits are read as 0. The write value should be 0. | R/W |
| b14 | CRCE | Receive Data Error | 0: No error 1: An error occurred. | R/W*1 |
| b15 | OVRN | Overrun/Underrun Detection Status | 0: No error 1: An error occurred. | R/W*1 |

Note 1. To clear the status, write 0 only to the bits to be cleared. Write 1 to the other bits.

FRNM[10:0] bits (Frame Number)

The FRNM[10:0] bits indicate the latest frame number for the USBFS after issuing of an SOF packet every 1 ms or writing to the FRNM[10:0] bits at the SOF packet reception.

CRCE bit (Receive Data Error)

The CRCE bit is set to 1 when a CRC error or bit stuffing error occurs during isochronous transfer. On detecting a CRC error in host controller mode, the USBFS generates an internal NRDY interrupt.

To clear the CRCE bit, write 0 to it while writing 1 to the other bits in the FRMNUM register.

OVRN bit (Overrun/Underrun Detection Status)

The OVRN bit is set to 1 when an overrun or underrun error occurs during isochronous transfer. To clear the bit, write 0 to it while writing 1 to the other bits in the FRMNUM register.

In host controller mode, the OVRN bit sets to 1 on any of the following conditions:

- For a transmitting isochronous pipe, the time to issue an OUT token comes before all of the transmit data is written to the FIFO buffer.
- For a receiving isochronous pipe, the time to issue an IN token comes when no FIFO buffer planes are empty.

In device controller mode, the OVRN bit is set to 1 on any of the following conditions:

- For a transmitting isochronous pipe, the IN token is received before all of the transmit data is written to the FIFO buffer.
- For a receiving isochronous pipe, the OUT token is received when no FIFO buffer planes are empty.

27.2.19 USB Request Type Register (USBREQ)

Address(es): USBFS.USBREQ 4009 0054h



| Bit | Symbol | Bit name | Description | R/W |
|-----------|--------------------|--------------|------------------------------------------------------|-------------------|
| b7 to b0 | BMREQUESTTYPE[7:0] | Request Type | These bits store the USB request bmRequestType value | R/W ^{*1} |
| b15 to b8 | BREQUEST[7:0] | Request | These bits store the USB request bRequest value | R/W ^{*1} |

Note 1. In device controller mode, these bits are readable, but writing to them has no effect. In host controller mode, these bits are readable and writable.

USBREQ stores setup requests for control transfers.

In device controller mode, the USBREQ stores the received values of bRequest and bmRequestType. In host controller mode, it sets the bRequest and bmRequestType values to be transmitted.

USBREQ is initialized by a USB bus reset.

BMREQUESTTYPE[7:0] bits (Request Type)

The BMREQUESTTYPE[7:0] bits hold the bmRequestType value of USB requests.

- In host controller mode:
Set these bits to the value of the USB request data in the setup transactions for transmission. Do not change the value of the bits while the DCPCTR.SUREQ bit is 1.
- In device controller mode:
These bits indicate the value of the USB request data in the setup transactions for reception. Writing to these bits has no effect.

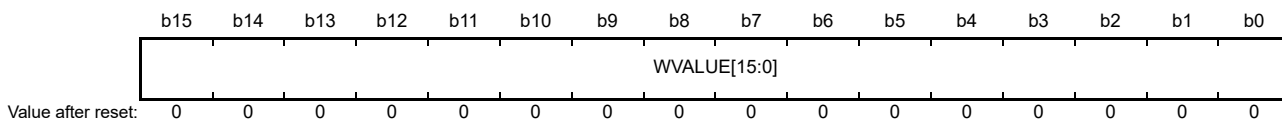
BREQUEST[7:0] bits (Request)

The BREQUEST[7:0] bits store the bRequest value of the USB request.

- In host controller mode:
Set these bits to the value of the USB request data in setup transmission transactions. Do not change the value of the bits while the DCPCTR.SUREQ bit is 1.
- In device controller mode:
These bits indicate the value of the USB request data in the setup transactions for reception. Writing to these bits has no effect.

27.2.20 USB Request Value Register (USBVAL)

Address(es): [USBFS.USBVAL 4009 0056h](#)



| Bit | Symbol | Bit name | Description | R/W |
|-----------|------------------------------|----------|-----------------------------------------------|-------|
| b15 to b0 | WVALUE[15:0] | Value | These bits store the USB request wValue value | R/W*1 |

Note 1. In device controller mode, these bits are readable, but writing to them has no effect. In host controller mode, these bits are both readable and writable.

In device controller mode, USBVAL stores the received value of wValue. In host controller mode, it is set to the wValue value to be transmitted.

USBVAL is initialized by a USB bus reset.

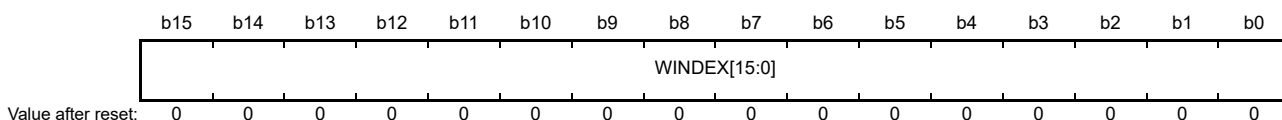
[WVALUE\[15:0\] bits \(Value\)](#)

The WVALUE[15:0] bits store the wValue value of the USB request.

- In host controller mode:
Set these bits to the wValue value of USB requests in the setup transactions for transmission. Do not change the value of these bits while the DCPCTR.SUREQ bit is 1.
- In device controller mode:
These bits indicate the wValue value of USB requests in the setup transactions for reception. Writing to the bits has no effect.

27.2.21 USB Request Index Register (USBINDX)

Address(es): [USBFS.USBINDX 4009 0058h](#)



| Bit | Symbol | Bit name | Description | R/W |
|-----------|------------------------------|----------|-----------------------------------------------|-------|
| b15 to b0 | WINDEX[15:0] | Index | These bits store the USB request wIndex value | R/W*1 |

Note 1. In device controller mode, these bits are readable, but writing to them has no effect. In host controller mode, these bits are both readable and writable.

USBINDX stores setup requests for control transfers.

In device controller mode, the USBINDX stores the received wIndex value. In host controller mode, the USBINDX sets the wIndex value to be transmitted. USBINDX is initialized by a USB bus reset.

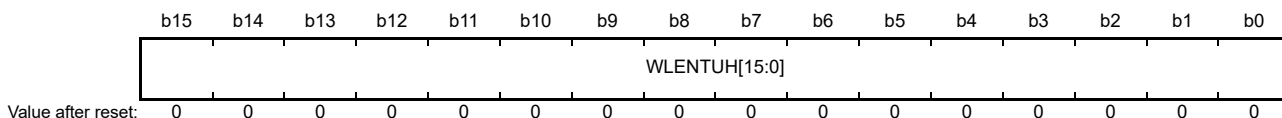
[WINDEX\[15:0\] bits \(Index\)](#)

These bits hold the value of a USB request.

- In host controller mode:
Set these bits to the wIndex value of USB requests in the setup transactions for transmission. Do not change the value of these bits while the DCPCTR.SUREQ bit is 1.
- In device controller mode:
These bits indicate the wIndex value of USB requests in the setup transactions for reception. Writing to the bits has no effect.

27.2.22 USB Request Length Register (USBLENG)

Address(es): USBFS.USBLENG 4009 005Ah



| Bit | Symbol | Bit name | Description | R/W |
|-----------|---------------|----------|------------------------------------------------|-------|
| b15 to b0 | WLENTUH[15:0] | Length | These bits store the USB request wLength value | R/W*1 |

Note 1. In device controller mode, these bits are readable, but writing to them has no effect. In host controller mode, these bits are both readable and writable.

USBLENG stores setup requests for control transfers.

In device controller mode, the USBLENG stores the received value of wLength. In host controller mode, the USBLENG sets the value of wLength to be transmitted.

USBLENG is initialized by a USB bus reset.

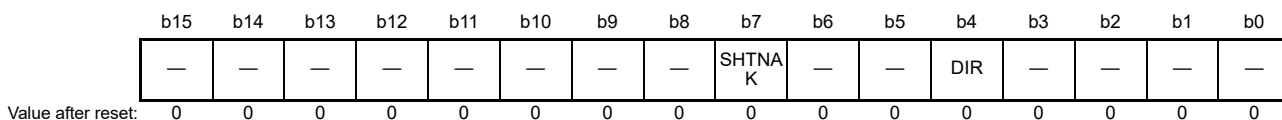
WLENTUH[15:0] bits (Length)

These bits hold the wLength value of a USB request.

- In host controller mode:
Set these bits to the wLength value of USB requests in the setup transactions for transmission. Do not change the value of the bits while the DCPCTR.SUREQ bit is 1.
- In device controller mode:
These bits indicate the wLength value of USB requests in the setup transactions for reception. Writing to the bits has no effect.

27.2.23 DCP Configuration Register (DCPCFG)

Address(es): USBFS.DCPCFG 4009 005Ch



| Bit | Symbol | Bit name | Description | R/W |
|-----------|--------|------------------------------------|--------------------------------------------------------------------------------------|-----|
| b3 to b0 | — | Reserved | These bits are read as 0. The write value should be 0. | R/W |
| b4 | DIR | Transfer Direction*1 | 0: Data receiving direction 1: Data transmitting direction. | R/W |
| b6, b5 | — | Reserved | These bits are read as 0. The write value should be 0. | R/W |
| b7 | SHTNAK | Pipe Disabled at End of Transfer*1 | 0: Pipe continued at the end of transfer 1: Pipe disabled at the end of transfer. | R/W |
| b15 to b8 | — | Reserved | These bits are read as 0. The write value should be 0. | R/W |

Note 1. Only set this bit while the PID is NAK. Before setting this bit, check that the DCPCTR.PBUSY bit is 0, and then change the DCPCTR.PID[1:0] bits for the DCP from BUF to NAK. If the USBFS changes the PID[1:0] bits to NAK, checking the PBUSY bit through software is not necessary.

DIR bit (Transfer Direction)

In host controller mode, the DIR bit sets the transfer direction of the data stage and status stage for control transfers. In device controller mode, set the DIR bit to 0.

SHTNAK bit (Pipe Disabled at End of Transfer)

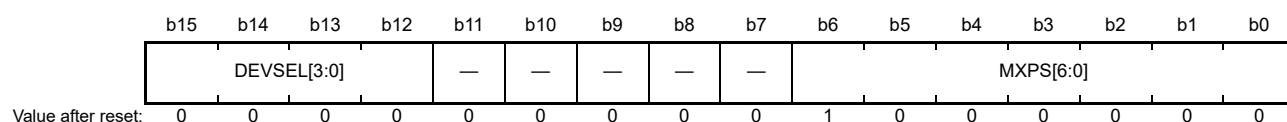
The SHTNAK bit specifies whether to change PID to NAK on transfer end when the selected pipe is receiving. It is only valid when the selected pipe is receiving.

When the SHTNAK bit is 1, the USBFS changes the DCPCTR.PID[1:0] bits for the DCP to NAK on determining that a transfer has ended. The USBFS determines that the transfer has ended on the following condition:

- A short packet, including a zero-length packet, is successfully received.

27.2.24 DCP Maximum Packet Size Register (DCPMAXP)

Address(es): `USBFS.DCPMAXP 4009 005Eh`



| Bit | Symbol | Bit name | Description | R/W |
|------------|--------------------------|-----------------------|------------------------------------------------------------------------------------------------------------------------------------------------------------------------------------------------------------------------------------------------------------------------------------------------------------------------------------------------------------------------------------------------------------------------------------------------------------------------------------------------------------------------------------------------------------|-----|
| b6 to b0 | <code>MXPS[6:0]</code> | Maximum Packet Size*1 | These bits set the maximum amount of data (maximum packet size) in payloads for the DCP. b6 b0 0 0 0 1 0 0 0: 8 bytes 0 0 1 0 0 0 0: 16 bytes 0 0 1 1 0 0 0: 24 bytes 0 1 0 0 0 0 0: 32 bytes 0 1 0 1 0 0 0: 40 bytes 0 1 1 0 0 0 0: 48 bytes 0 1 1 1 0 0 0: 56 bytes 1 0 0 0 0 0 0: 64 bytes 1 0 0 1 0 0 0: 72 bytes 1 0 1 0 0 0 0: 80 bytes 1 0 1 1 0 0 0: 88 bytes 1 1 0 0 0 0 0: 96 bytes 1 1 0 1 0 0 0: 104 bytes 1 1 1 0 0 0 0: 112 bytes 1 1 1 1 0 0 0: 120 bytes Other settings are prohibited. | R/W |
| b11 to b7 | — | Reserved | These bits are read as 0. The write value should be 0. | R/W |
| b15 to b12 | <code>DEVSEL[3:0]</code> | Device Select*2 | b15 b12 0 0 0 0: Address 0000 0 0 0 1: Address 0001 0 0 1 0: Address 0010 0 0 1 1: Address 0011 0 1 0 0: Address 0100 0 1 0 1: Address 0101 Other settings are prohibited. | R/W |

Note 1. Only set the MXPS[6:0] bits while PID is NAK. Before setting these bits, check that the DCPCTR.PBUSY bit is 0, and then change the DCPCTR.PID[1:0] bits for the DCP from BUF to NAK. If the USBFS changes the PID[1:0] bits to NAK, checking the PBUSY bit through software is not necessary. After modifying the MXPS[6:0] bits and the DCP is set to the CURPIPE[3:0] bits in a port select register, clear the buffer by setting the BCLR bit in the port control register to 1.

Note 2. Only set the DEVSEL[3:0] bits while PID is NAK and the DCPCTR.SUREQ bit is 0. Before setting these bits, check that the DCPCTR.PBUSY bit is 0, and then change the DCPCTR.PID[1:0] bits for the DCP from BUF to NAK. If the USBFS changes the PID[1:0] bits to NAK, checking the PBUSY bit through software is not necessary.

MXPS[6:0] bits (Maximum Packet Size*1)

The MXPS[6:0] bits specify the maximum data payload (maximum packet size) for the DCP. The initial value is 40h (64 bytes). Set the bits to a USB 2.0-compliant value. Do not write to the FIFO buffer or set PID = BUF while MXPS[6:0] is set to 0.

DEVSEL[3:0] bits (Device Select*2)

In host controller mode, the DEVSEL[3:0] bits specify the address of the target peripheral device for a control transfer. Set up the device address in the associated DEVADDn (n = 0 to 5) register first, and then set these bits to the corresponding value. To set the DEVSEL[3:0] bits to 0010b, for example, first set the address in the DEVADD2 register.

In device controller mode, set these bits to 0000b.

27.2.25 DCP Control Register (DCPCTR)

Address(es): **USBFS.DCPCTR 4009 0060h**

| | | | | | | | | | | | | | | | |
|--------------------|-------|-----|-----|-----------|-----|----|-------|-------|-------|-------|----|----|------|----------|----|
| b15 | b14 | b13 | b12 | b11 | b10 | b9 | b8 | b7 | b6 | b5 | b4 | b3 | b2 | b1 | b0 |
| BSTS | SUREQ | — | — | SUREQ CLR | — | — | SQCLR | SQSET | SQMON | PBUSY | — | — | CCPL | PID[1:0] | |
| Value after reset: | 0 | 0 | 0 | 0 | 0 | 0 | 0 | 0 | 1 | 0 | 0 | 0 | 0 | 0 | 0 |

| Bit | Symbol | Bit name | Description | R/W |
|----------|----------|-----------------------------|--------------------------------------------------------------------------------------------------------------------------------------------------------------------------------------|-------|
| b1, b0 | PID[1:0] | Response PID | b1 b0 0 0: NAK response 0 1: BUF response (depending on the buffer state) 1 0: STALL response 1 1: STALL response. | R/W |
| b2 | CCPL | Control Transfer End Enable | 0: Invalid 1: Control transfer completion enabled. | R/W |
| b4, b3 | — | Reserved | These bits are read as 0. The write value should be 0. | R/W |
| b5 | PBUSY | Pipe Busy | 0: DCP not used for the transaction 1: DCP used for the transaction. | R |
| b6 | SQMON | Sequence Toggle Bit Monitor | 0: DATA0 1: DATA1. | R |
| b7 | SQSET | Sequence Toggle Bit Set*2 | Sets the sequence toggle bit in DCP transfers: 0: Invalid (writing 0 has no effect) 1: Set the expected value for the next transaction to DATA1. | R/W*1 |
| b8 | SQCLR | Sequence Toggle Bit Clear*2 | Clears the sequence toggle bit in DCP transfers: 0: Invalid (writing 0 has no effect) 1: Clear the expected value for the next transaction to DATA0. This bit is read as 0. | R/W*1 |
| b10, b9 | — | Reserved | These bits are read as 0. The write value should be 0. | R/W |
| b11 | SUREQCLR | SUREQ Bit Clear | Clears the SUREQ bit in host controller mode: 0: Invalid (writing 0 has no effect) 1: Clear SUREQ to 0. This bit is read as 0. | R/W |
| b13, b12 | — | Reserved | These bits are read as 0. The write value should be 0. | R/W |
| b14 | SUREQ | Setup Token Transmission | Sets up token transmission in host controller mode: 0: Invalid (writing 0 has no effect) 1: Transmit setup packet. | R/W |
| b15 | BSTS | Buffer Status | 0: Buffer access disabled 1: Buffer access enabled. | R |

Note 1. This bit is read as 0.

Note 2. Write 1 to the SQSET and SQCLR bits while PID is NAK. Before setting these bits, check that the PBUSY bit is 0, and then change the PID[1:0] bits for the DCP from BUF to NAK. If the USBFS changes the PID[1:0] bits to NAK, checking the PBUSY bit through software is not necessary.

PID[1:0] bits (Response PID)

The PID[1:0] bits control the USBFS response type during control transfers.

In host controller mode, to change the PID[1:0] setting from NAK to BUF:

- When the transmitting direction is set:
 - a. Write all of the transmit data to the FIFO buffer while the DVSTCTR0.UACT bit is 1 and PID is NAK.
 - b. Set PID[1:0] bits to 01b (BUF).
The USBFS then executes the OUT transaction.
- When the receiving direction is set:
 - a. Check that the FIFO buffer is empty (or empty the buffer) while the DVSTCTR0.UACT bit is 1 and PID is NAK.
- Set PID[1:0] bits to 01b (BUF).
The USBFS then executes the IN transaction.

The USBFS changes the PID[1:0] setting as follows:

- When the PID[1:0] bits are set to BUF (01b) by software and the USBFS received data that exceeds MaxPacketSize, the USBFS sets the PID[1:0] to STALL (11b)
- When a reception error, such as a CRC error, is detected three times consecutively, the USBFS sets the PID[1:0] bits to NAK (00b)
- On receiving the STALL handshake, the USBFS sets PID[1:0] to STALL (11b).

In device controller mode, the USBFS changes the PID[1:0] setting as follows:

- On receiving a setup packet, the USBFS sets PID[1:0] to NAK (00b). The USBFS then sets the INTSTS0.VALID bit to 1, and the PID[1:0] setting cannot be changed until software clears the VALID bit to 0.
- When the PID[1:0] bits are set to BUF (01b) by software and the USBFS received data that exceeds MaxPacketSize, the USBFS sets PID[1:0] to STALL (11b)
- On detecting a control transfer sequence error, the USBFS sets PID[1:0] to STALL (1xb)
- On detecting a USBFS bus reset, the USBFS sets PID[1:0] to NAK.

The USBFS does not check the PID[1:0] setting while processing a SET_ADDRESS request.

The PID[1:0] bits are initialized by a USB bus reset.

CCPL bit (Control Transfer End Enable)

In device controller mode, setting the CCPL bit to 1 enables the status stage of the control transfer to be completed. When the bit is set to 1 by software while the associated PID[1:0] bits are set to BUF, the USBFS completes the control transfer status stage.

During control read transfers, the USBFS transmits the ACK handshake in response to the OUT transaction from the USB host. During control write or no-data control transfers, it transmits the zero-length packet in response to the IN transaction from the USB host. On detecting a SET_ADDRESS request, the USBFS operates in auto response mode from the setup stage up to status stage completion regardless of the CCPL bit setting.

The USBFS changes the CCPL bit from 1 to 0 on receiving a new setup packet. Software cannot write 1 to the bit while the INTSTS0.VALID bit is 1. The CCPL bit is initialized by a USB bus reset.

In host controller mode, always write 0 to the CCPL bit.

PBUSY bit (Pipe Busy)

The PBUSY bit indicates whether DCP is used for the transaction when USBFS changes the PID[1:0] bits from BUF to NAK. The USBFS changes the PBUSY bit from 0 to 1 at the start of a USBFS transaction for the selected pipe, and changes the PBUSY bit from 1 to 0 on completion of one transaction.

After PID is set to NAK by software, the value in the PBUSY bit indicates whether changes to pipe settings can proceed.

For details, see [section 27.3.4.1, Pipe control register switching procedures](#).

SQMON bit (Sequence Toggle Bit Monitor)

The SQMON bit indicates the expected value of the sequence toggle bit for the next transaction during a DCP transfer.

The USBFS toggles the SQMON bit on successful completion of the transaction. It does not toggle the bit, however, when a DATA-PID mismatch occurs during a transfer in the receiving direction.

In device controller mode, the USBFS sets the SQMON bit to 1 (specifies DATA1 as the expected value) on successful reception of the setup packet.

In device controller mode, the USBFS does not reference this bit during IN or OUT transactions at the status stage, and it does not toggle the bit on normal completion.

SQSET bit (Sequence Toggle Bit Set*2)

The SQSET bit specifies DATA1 as the expected value of the sequence toggle bit for the next transaction during a DCP transfer.

Do not set the SQCLR and SQSET bits to 1 simultaneously.

SQCLR bit (Sequence Toggle Bit Clear*2)

The SQCLR bit specifies DATA0 as the expected value of the sequence toggle bit for the next transaction during a DCP transfer. The SQCLR bit is read as 0.

Do not set the SQCLR and SQSET bits to 1 simultaneously.

SUREQCLR bit (SUREQ Bit Clear)

In host controller mode, setting the SUREQCLR bit to 1 clears the SUREQ bit to 0. The bit is read as 0.

If transfer stops while the SUREQ bit is set to 1 in a setup transaction, set the SUREQCLR bit to 1 with software. This is not required at the end of a normal setup transaction, because the USBFS automatically clears the SUREQ bit to 0.

Only control the SUREQ bit through the SUREQCLR bit while the DVSTCTR0.UACT bit is 0. When UACT is 0, communication is halted or no transfer is occurring because a bus disconnection was detected.

In device controller mode, always write 0 to this bit.

SUREQ bit (Setup Token Transmission)

In host controller mode, setting the SUREQ bit to 1 triggers the USBFS to transmit the setup packet. After completing the setup transaction process, the USBFS generates either the SACK or SIGN interrupt and clears the SUREQ bit to 0. The USBFS also clears the SUREQ bit to 0 when software sets the SUREQCLR bit to 1.

Before setting the SUREQ bit to 1, set the DCPMAXP.DEVSEL[3:0] bits, USBREQ, USBVAL, USBINDX, and USBLENG appropriately to transmit the wanted USB request in the setup transaction. Also check that the PID[1:0] bits for the DCP are set to NAK. After setting the SUREQ bit to 1, do not change the DCPMAXP.DEVSEL[3:0] bits, USBREQ, USBVAL, USBINDX, or USBLENG until the setup transaction is complete (SUREQ bit = 1). Write 1 to the SUREQ bit only when transmitting the setup token. Otherwise, write 0.

In device controller mode, always write 0 to this bit.

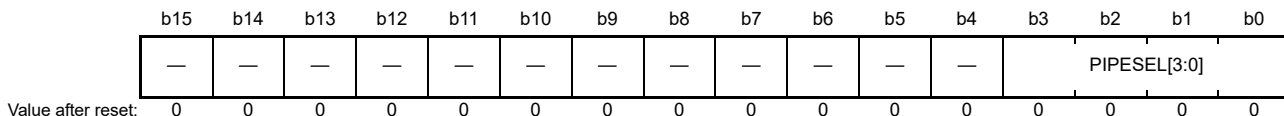
BSTS bit (Buffer Status)

The BSTS bit indicates the access status to the DCP FIFO buffer. The meaning of this bit varies as follows depending on the CFIFOSEL.ISEL setting:

- When ISEL = 0, the bit indicates whether received data can be read from the buffer
- When ISEL = 1, the bit indicates whether transmitted data can be written to the buffer.

27.2.26 Pipe Window Select Register (PIPESEL)

Address(es): USBFS.PIPESEL 4009 0064h



| Bit | Symbol | Bit name | Description | R/W |
|-----------|--------------|--------------------|-----------------------------------------------------------------------------------------------------------------------------------------------------------------------------------------------------------------------------------------|-----|
| b3 to b0 | PIPESEL[3:0] | Pipe Window Select | b3 b0 0 0 0 0: No pipe selected 0 0 0 1: PIPE1 0 0 1 0: PIPE2 0 0 1 1: PIPE3 0 1 0 0: PIPE4 0 1 0 1: PIPE5 0 1 1 0: PIPE6 0 1 1 1: PIPE7 1 0 0 0: PIPE8 1 0 0 1: PIPE9. Other settings are prohibited. | R/W |
| b15 to b4 | — | Reserved | These bits are read as 0. The write value should be 0. | R/W |

Set pipes 1 to 9 using the PIPESEL, PIPECFG, PIPEMAXP, PIPEPERI, PIPEnCTR, PIPEnTRE, and PIPEnTRN registers (n = 0 to 9).

After selecting the pipe in the PIPESEL register, set the pipe functions using PIPECFG, PIPEMAXP, and PIPEPERI. The PIPEnCTR, PIPEnTRE, and PIPEnTRN registers can be set independently of the pipe selection in the PIPESEL register.

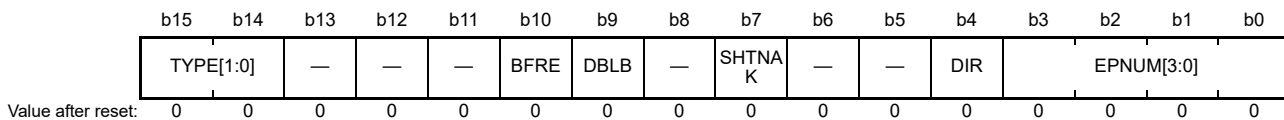
PIPESEL[3:0] bits (Pipe Window Select)

The PIPESEL[3:0] bits select the pipe number associated with the PIPECFG, PIPEMAXP, and PIPEPERI registers used for data writing and reading. Selecting a pipe number in the PIPESEL[3:0] bits allows writing to and reading from PIPECFG, PIPEMAXP, and PIPEPERI associated with the selected pipe number.

When PIPESEL[3:0] = 0000b, 0 is read from all of the bits in PIPECFG, PIPEMAXP, and PIPEPERI. Writing to these bits is invalid.

27.2.27 Pipe Configuration Register (PIPECFG)

Address(es): USBFS.PIPECFG 4009 0068h



| Bit | Symbol | Bit name | Description | R/W |
|----------|------------|------------------------------------|----------------------------------------------------------------------------------------------------------------|-----|
| b3 to b0 | EPNUM[3:0] | Endpoint Number*1 | These bits specify the endpoint number for the selected pipe. Setting 0000b indicates the pipe is not used. | R/W |
| b4 | DIR | Transfer Direction*2,*3 | 0: Receiving direction 1: Transmitting direction. | R/W |
| b6, b5 | — | Reserved | These bits are read as 0. The write value should be 0. | R/W |
| b7 | SHTNAK | Pipe Disabled at End of Transfer*1 | 0: Pipe operation continued after transfer ends 1: Pipe operation disabled after transfer ends. | R/W |
| b8 | — | Reserved | This bit is read as 0. The write value should be 0. | R/W |

| Bit | Symbol | Bit name | Description | R/W |
|------------|-----------|---------------------------------------------|-----------------------------------------------------------------------------------------------------------------------------------------------------------------------------------------------------------------------------------------------------------------------------------------------------------------------------------------------------------------------------------------------------------------------------------------------------------------------------------|-----|
| b9 | DBLB | Double Buffer Mode*2,*3 | 0: Single buffer 1: Double buffer. | R/W |
| b10 | BFRE | BRDY Interrupt Operation Specification*2,*3 | 0: BRDY interrupt on transmitting or receiving data 1: BRDY interrupt on completion of reading data. | R/W |
| b13 to b11 | — | Reserved | These bits are read as 0. The write value should be 0. | R/W |
| b15, b14 | TYPE[1:0] | Transfer Type*1 | <ul style="list-style-type: none"> • Pipes 1 and 2 b15 b14 0 0: Pipe not used 0 1: Bulk transfer 1 0: Setting prohibited 1 1: Isochronous transfer. • Pipes 3 to 5 b15 b14 0 0: Pipe not used 0 1: Bulk transfer 1 0: Setting prohibited 1 1: Setting prohibited. • Pipes 6 to 9 b15 b14 0 0: Pipe not used 0 1: Setting prohibited 1 0: Interrupt transfer 1 1: Setting prohibited. | R/W |

- Note 1. Only set the TYPE[1:0], SHTNAK, and EPNUM[3:0] bits while PID is NAK. Before setting these bits, check that the PIPEnCTR.PBUSY bit is 0, and then change the PIPEnCTR.PID[1:0] bits from 01b (BUF) to 00b (NAK). If the USBFS changes the PID[1:0] bits to 00 (NAK), checking the PBUSY bit through software is not necessary.
- Note 2. Only set the BFRE, DBLB, and DIR bits while PID is NAK and before the pipe is selected in the CURPIPE[3:0] bits in the port select register. Before setting these bits, check that the PIPEnCTR.PBUSY bit is 0, and then change the PIPEnCTR.PID[1:0] bits from 01b (BUF) to 00b (NAK). If the PID[1:0] bits are changed to 00 (NAK) by the USBFS, checking the PBUSY bit through software is not necessary.
- Note 3. To change the BFRE, DBLB, or DIR bits after completing USB communication on the selected pipe, in addition to the constraints described in Note 2., write 1 and then 0 to the PIPEnCTR.ACLRM bit continuously with software to clear the FIFO buffer assigned to the selected pipe.

PIPECFG specifies the transfer type, FIFO buffer access direction, and endpoint numbers for pipes 1 to 9. It also selects single or double buffer mode, and whether to continue or disable pipe operation at the end of transfer.

EPNUM[3:0] bits (Endpoint Number*1)

The EPNUM[3:0] bits specify the endpoint number for the selected pipe. Setting 0000b indicates the pipe is not used.

Set these bits so that the combination of the DIR and EPNUM[3:0] settings is different from those for other pipes. The EPNUM[3:0] bits can be set to 0000b for all pipes.

DIR bit (Transfer Direction*2,*3)

The DIR bit specifies the transfer direction for the selected pipe.

When software sets this bit to 0, the USBFS uses the selected pipe for receiving. When software sets this bit to 1, the USBFS uses the selected pipe for transmitting.

SHTNAK bit (Pipe Disabled at End of Transfer*1)

The SHTNAK bit specifies whether to change the PIPEnCTR.PID[1:0] bits to 00b (NAK) at the end of transfer when the selected pipe is set in the receiving direction. The bit is valid for pipes 1 to 5 in the receiving direction.

When software sets this bit to 1 for a receiving pipe, the USBFS changes the associated PIPEnCTR.PID[1:0] bits to 00b (NAK) on determining the transfer end. The USBFS determines that the transfer has ended on any of the following conditions:

- A short packet (including a zero-length packet) is successfully received
- The transaction counter is used and the number of packets specified for the transaction counter are successfully received.

DBLB bit (Double Buffer Mode*2,*3)

The DBLB bit selects either single or double buffer mode for the FIFO buffer used by the selected pipe. The bit is valid when pipes 1 to 5 are selected.

BFRE bit (BRDY Interrupt Operation Specification*2,*3)

The BFRE bit specifies the BRDY interrupt generation timing from the USBFS to the CPU for the selected pipe.

When software sets the BFRE bit to 1 and the selected pipe is in the receiving direction, the USBFS detects the transfer completion and generates the BRDY interrupt on reading the packet.

When a BRDY interrupt is generated with this setting, write 1 to the BCLR bit in the Port Control Register with software. The FIFO buffer assigned to the selected pipe is not enabled for reception until 1 is written to the BCLR bit.

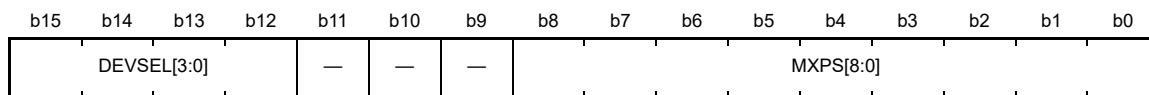
When the BFRE bit is set to 1 by software and the selected pipe is transmitting, the USBFS does not generate the BRDY interrupt. For details, see section 27.3.3.1, BRDY interrupt.

TYPE[1:0] bits (Transfer Type*1)

The TYPE[1:0] bits specify the transfer type for the pipe selected in the PIPESEL.PIPESEL[3:0] bits. Before setting PID to BUF and starting USB communication on the selected pipe, set the TYPE[1:0] bits to a value other than 00b.

27.2.28 Pipe Maximum Packet Size Register (PIPEMAXP)

Address(es): USBFS.PIPEMAXP 4009 006Ch



Value after reset: 0 0 0 0 0 0 0 0 0 0 0/1 *1 0 0 0 0 0 0

| Bit | Symbol | Bit name | Description | R/W |
|------------|-------------|-----------------------|---------------------------------------------------------------------------------------------------------------------------------------------------------------------------------------------------------------------------------------------------------------------------------------------------------------------------------------------|-----|
| b8 to b0 | MXPS[8:0] | Maximum Packet Size*2 | <ul style="list-style-type: none"> Pipes 1 and 2: 1 byte (001h) to 256 bytes (100h) Pipes 3 to 5: 8 bytes (008h), 16 bytes (010h) 32 bytes (020h), 64 bytes (040h) (Bits [8:7] and [2:0] not supported) Pipes 6 to 9: 1 byte (001h) to 64 bytes (040h) (Bits [8:7] not supported). | R/W |
| b11 to b9 | — | Reserved | These bits are read as 0. The write value should be 0. | R/W |
| b15 to b12 | DEVSEL[3:0] | Device Select*3 | b3 b0 0 0 0 0: Address 0000 0 0 0 1: Address 0001 0 0 1 0: Address 0010 0 0 1 1: Address 0011 0 1 0 0: Address 0100 0 1 0 1: Address 0101. Other settings are prohibited. | R/W |

- Note 1. The value of the MXPS[8:0] bits is 000h when no pipe is selected in the PIPESEL.PIPESEL[3:0] bits and 040h when a pipe is selected.
- Note 2. Only set the MXPS[8:0] bits while PID is NAK and before the pipe is selected in the CURPIPE[3:0] bits in the port select register. Before setting these bits, check that the PIPEnCTR.PBUSY bit is 0, and then change the PIPEnCTR.PID[1:0] bits from 01b (BUF) to 00b (NAK). If the PID[1:0] bits are changed to 00 (NAK) by the USBFS, checking the PBUSY bit through software is not required.
- Note 3. Only set the DEVSEL[3:0] bits while PID is NAK. Before setting these bits, check that the PIPEnCTR.PBUSY bit is 0, and then change the PIPEnCTR.PID[1:0] bits from 01b (BUF) to 00b (NAK). If the USBFS changes the PID[1:0] bits to 00 (NAK), checking the PBUSY bit through software is not required.

PIPEMAXP specifies the maximum packet size for pipes 1 to 9.

MXPS[8:0] bits (Maximum Packet Size*2)

The MXPS[8:0] bits specify the maximum data payload (maximum packet size) for the selected pipe.

Set these bits to the appropriate value for each transfer type based on the USB 2.0 specification. When MXPS[8:0] = 0, do not write to the FIFO buffer or set PID to BUF. These writes have no effect.

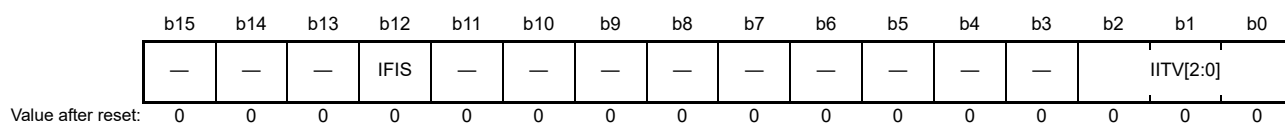
DEVSEL[3:0] bits (Device Select*3)

In host controller mode, the DEVSEL[3:0] bits specify the address of the target device for USB communication. Set up the device address in the associated DEVADDn (n = 0 to 5) register first, and then set these bits to the corresponding value. To set the DEVSEL[3:0] bits to 0010b, for example, first set the address in the DEVADD2 register.

In device controller mode, set these bits to 0000b.

27.2.29 Pipe Cycle Control Register (PIPEPERI)

Address(es): USBFS.PIPEPERI 4009 006Eh



| Bit | Symbol | Bit name | Description | R/W |
|------------|-----------------|-----------------------------------|-----------------------------------------------------------------------------------------------------------|-----|
| b2 to b0 | IITV[2:0] *1 | Interval Error Detection Interval | Specifies the interval error detection timing for the selected pipe as nth power of 2 of the frame timing | R/W |
| b11 to b3 | — | Reserved | These bits are read as 0. The write value should be 0. | R/W |
| b12 | IFIS | Isochronous IN Buffer Flush | 0: The buffer not flushed 1: The buffer is flushed. | R/W |
| b15 to b13 | — | Reserved | These bits are read as 0. The write value should be 0. | R/W |

Note 1. Only set the IITV[2:0] bits while PID is NAK. Before setting these bits, check that the PBUSY bit is 0, and then change the PID[1:0] bits from 01b (BUF) to 00b (NAK). If the PID[1:0] bits are changed to 00 (NAK) by the USBFS, checking the PBUSY bit through software is not required.

PIPEPERI selects whether the buffer is flushed or not when an interval error occurred during isochronous IN transfers, and sets the interval error detection interval for pipes 1 to 9.

IITV[2:0] bits (Interval Error Detection Interval)

To change the IITV[2:0] bits to another value after they are set and USB communication is performed, set the PIPEnCTR.PID[1:0] bits to 00b (NAK) and then set the PIPEnCTR.ACLRM bit to 1 to initialize the interval timer.

The IITV[2:0] bits are not provided for pipes 3 to 5. Write 000b to bit positions of the IITV[2:0] bits associated with pipes 3 to 5.

IFIS bit (Isochronous IN Buffer Flush)

The IFIS bit specifies whether to flush the buffer when the pipe selected in the PIPESEL.PIPESEL[3:0] bits is used for isochronous IN transfers.

In device controller mode when the selected pipe is for isochronous IN transfers, the USBFS automatically clears the FIFO buffer if the USBFS fails to receive the IN token from the USB host within the interval set in the IITV[2:0] bits in terms of frames.

When double buffering is specified (PIPECFG.DBLB = 1), the USBFS only clears the data in the previously used plane.

The USBFS clears the FIFO buffer on receiving the SOF packet immediately after the frame in which the USBFS expected to receive the IN token. Even if the SOF packet is corrupted, the FIFO buffer is cleared at the time the SOF packet is expected to be received by using the internal interpolation function.

When the host controller function is selected, set this bit to 0. Set this bit to 0 when the selected pipe is not for isochronous transfer.

27.2.30 PIPEn Control Registers (PIPEnCTR) (n = 1 to 9)

PIPEnCTR (n = 1 to 5)

Address(es): [USBFS.PIPE1CTR 4009 0070h](#), [USBFS.PIPE2CTR 4009 0072h](#), [USBFS.PIPE3CTR 4009 0074h](#),
[USBFS.PIPE4CTR 4009 0076h](#), [USBFS.PIPE5CTR 4009 0078h](#)

| | | | | | | | | | | | | | | | |
|--------------------|--------|-----|-----|-----|--------|--------|-------|-------|-------|-------|----|----|----|----------|----|
| b15 | b14 | b13 | b12 | b11 | b10 | b9 | b8 | b7 | b6 | b5 | b4 | b3 | b2 | b1 | b0 |
| BSTS | INBUFM | — | — | — | ATREPM | ACLARM | SQCLR | SQSET | SQMON | PBUSY | — | — | — | PID[1:0] | |
| Value after reset: | | | | | | | | | | | | | | | |
| 0 | 0 | 0 | 0 | 0 | 0 | 0 | 0 | 0 | 0 | 0 | 0 | 0 | 0 | 0 | 0 |

| Bit | Symbol | Bit name | Description | R/W |
|------------|--------------------------|-----------------------------------------|--------------------------------------------------------------------------------------------------------------------------------------------------------------------------------|-------------------|
| b1, b0 | PID[1:0] | Response PID | b1 b0 0 0: NAK response 0 1: BUF response (depends on the buffer state) 1 0: STALL response 1 1: STALL response. | R/W |
| b4 to b2 | — | Reserved | These bits are read as 0. The write value should be 0. | R/W |
| b5 | PBUSY | Pipe Busy | 0: Pipe n not in use for the transaction 1: Pipe n in use for the transaction. | R |
| b6 | SQMON | Sequence Toggle Bit Confirmation | 0: DATA0 1: DATA1. | R |
| b7 | SQSET | Sequence Toggle Bit Set* ² | Sets the sequence toggle bit for pipe n: 0: Invalid (writing 0 has no effect) 1: Set the expected value for the next transaction to DATA1. This bit is read as 0. | R/W* ¹ |
| b8 | SQCLR | Sequence Toggle Bit Clear* ² | Clears the sequence toggle bit for pipe n: 0: Invalid (writing 0 has no effect) 1: Clear the expected value for the next transaction to DATA0. This bit is read as 0. | R/W* ¹ |
| b9 | ACLARM | Auto Buffer Clear Mode* ³ | 0: Disabled 1: Enabled (all buffers initialized). | R/W |
| b10 | ATREPM | Auto Response Mode* ² | 0: Auto response disabled 1: Auto response enabled. | R/W |
| b13 to b11 | — | Reserved | These bits are read as 0. The write value should be 0. | R/W |
| b14 | INBUFM | Transmit Buffer Monitor | 0: There are no data to be transmitted in the FIFO buffer 1: There is data to be transmitted in the FIFO buffer. | R |
| b15 | BSTS | Buffer Status | 0: Buffer access by the CPU disabled 1: Buffer access by the CPU enabled. | R |

Note 1. Only 0 can be read.

Note 2. Only set the ATREPM bit or write 1 to the SQCLR or SQSET bit while PID is NAK. Before setting these bits, check that the PBUSY bit is 0, and then change the PID[1:0] bits from 01b (BUF) to 00b (NAK). If the PID[1:0] bits are changed to 00 (NAK) by the USBFS, checking the PBUSY bit through software is not required.

Note 3. Only set the ACLARM bit while PID is NAK and before the pipe is selected in the CURPIPE[3:0] bits in the port select register. Before setting this bit, check that the PBUSY bit is 0, and then change the PID[1:0] bits from 01b (BUF) to 00b (NAK). If the USBFS changes the PID[1:0] bits to 00 (NAK), checking the PBUSY bit through software is not required.

PIPEnCTR can be set for any pipe selection in the PIPESEL register.

[PID\[1:0\] bits \(Response PID\)](#)

The PID[1:0] bits specify the response type for the next transaction of the selected pipe.

The default PID[1:0] setting is NAK. Change the PID[1:0] setting to BUF to use the associated pipe for USBFS transfer. [Table 27.7](#) and [Table 27.8](#) show the basic operations of the USBFS based on the PID[1:0] bit setting when there are no errors in the communication packets.

After changing the PID[1:0] setting from BUF to NAK through software during USBFS communication on the selected pipe, check that the PBUSY bit is 1 to determine if USBFS transfer on the selected pipe has actually entered the NAK

state. If the USBFS changes the PID[1:0] bits to NAK, checking the PBUSY bit through software is not required.

The USBFS changes the PIPEnCTR.PID[1:0] setting in the following cases:

- The USBFS sets PID to NAK on recognizing completion of the transfer when the selected pipe is receiving and the PIPECFG.SHTNAK bit for the selected pipe is set to 1 by software
- The USBFS sets PID to STALL (11b) on receiving a data packet with a payload exceeding the maximum packet size of the selected pipe
- The USBFS sets PID to NAK on detecting a USB bus reset in device controller mode
- The USBFS sets PID to NAK on detecting a reception error, such as a CRC error, three consecutive times in host controller mode
- The USBFS sets PID to STALL (11b) on receiving the STALL handshake in host controller mode.

To specify the response type, set the PID[1:0] bits as follows:

- To transition from NAK (00b) to STALL, set 10b
- To transition from BUF (01b) to STALL, set 11b
- To transition from STALL (11b) to NAK, set 10b and then 00b
- To transition from STALL to BUF, transition to NAK and then BUF.

Table 27.7 USBFS operation based on the PID[1:0] setting in host controller mode

| PID[1:0] value | Transfer type | Transfer direction (DIR bit) | USBFS operation |
|----------------------------|--------------------------------|--------------------------------|--------------------------------------------------------------------------------------------------------------------------------------------------------------------------------------------------------------------------------------------------------------------------------------------------------|
| 00b (NAK) | Does not depend on the setting | Does not depend on the setting | Does not issue tokens |
| 01b (BUF) | Bulk or interrupt | Does not depend on the setting | Issues tokens when the DVSTCTR0.UACT bit is 1 and the FIFO buffer associated with the selected pipe is ready for transmission and reception. Does not issue tokens when the DVSTCTR0.UACT bit is 0 or the FIFO buffer associated with the selected pipe is not ready for transmission or reception. |
| | Isochronous | Does not depend on the setting | Issues tokens regardless of the status of the FIFO buffer associated with the selected pipe |
| 10b (STALL) or 11b (STALL) | Does not depend on the setting | Does not depend on the setting | Does not issue tokens |

Table 27.8 USBFS operation based on the PID[1:0] setting in device controller mode (1 of 2)

| PID[1:0] value | Transfer type | Transfer direction (DIR bit) | USBFS operation |
|----------------|-------------------|--------------------------------|------------------------------------------------------------|
| 00b (NAK) | Bulk or interrupt | Does not depend on the setting | Returns NAK in response to the token from the USB host |
| | Isochronous | Does not depend on the setting | Returns nothing in response to the token from the USB host |

Table 27.8 USBFS operation based on the PID[1:0] setting in device controller mode (2 of 2)

| PID[1:0] value | Transfer type | Transfer direction (DIR bit) | USBFS operation |
|----------------------------|-------------------|----------------------------------|-----------------------------------------------------------------------------------------------------------------------------------------------------------------------|
| 01b (BUF) | Bulk | Receiving direction (DIR = 0) | Receives data and returns ACK in response to the OUT token from the USB host if the FIFO buffer associated with the selected pipe is ready for reception |
| | Interrupt | Receiving direction (DIR = 0) | Receives data and returns ACK in response to the OUT token from the USB host if the FIFO buffer associated with the selected pipe is ready for reception |
| | Bulk or interrupt | Transmitting direction (DIR = 1) | Transmits data in response to the token from the USB host if the FIFO buffer associated with the selected pipe is ready for transmission otherwise, returns NAK |
| | Isochronous | Receiving direction (DIR = 0) | Receives data in response to the OUT token from the USB host if the FIFO buffer associated with the selected pipe is ready for reception otherwise, discards the data |
| | Isochronous | Transmitting direction (DIR = 1) | Transmits data in response to the token from the USB host if the associated FIFO buffer is ready for transmission otherwise, transmits a zero-length packet |
| 10b (STALL) or 11b (STALL) | Bulk or interrupt | Does not depend on the setting | Returns STALL in response to the token from the USB host |
| | Isochronous | Does not depend on the setting | Returns nothing in response to the token from the USB host |

PBUSY bit (Pipe Busy)

The PBUSY bit indicates whether the selected pipe is currently used for the transaction.

The USBFS changes the PBUSY bit from 0 to 1 at the start of the USBFS transaction for the selected pipe, and changes the PBUSY bit from 1 to 0 on completion of one transaction.

Reading the PBUSY bit with software after PID is set to NAK allows you to check whether changing the pipe setting is possible. For details, see [section 27.3.4.1, Pipe control register switching procedures](#).

SQMON bit (Sequence Toggle Bit Confirmation)

The SQMON bit indicates the expected value of the sequence toggle bit for the next transaction of the selected pipe.

When the selected pipe is not the isochronous transfer type, the USBFS toggles the SQMON bit on successful completion of the transaction. However, the USBFS does not toggle the SQMON bit when a DATA-PID mismatch occurs during transfer in the receiving direction.

SQSET bit (Sequence Toggle Bit Set*2)

Setting the SQSET bit to 1 through software allows the USBFS to set DATA1 as the expected value of the sequence toggle bit for the next transaction of the selected pipe. The USBFS sets the SQSET bit to 0.

SQCLR bit (Sequence Toggle Bit Clear*2)

Setting the SQCLR bit to 1 through software allows the USBFS to clear the expected value of the sequence toggle bit for the next transaction of the selected pipe to DATA0. The USBFS sets the SQCLR bit to 0.

ACLRM bit (Auto Buffer Clear Mode*3)

The ACLRM bit enables or disables auto buffer clear mode for the selected pipe. To completely clear the data in the FIFO buffer allocated to the selected pipe, write 1 and then 0 to the ACLRM bit continuously.

Table 27.9 shows the data cleared by writing 1 and 0 to the ACLRM bit continuously and the cases in which this processing is required.

Table 27.9 Data cleared by the USBFS when ACLRM = 1

| Number | Data cleared by setting the ACLRM bit | Situations requiring data clear |
|--------|-----------------------------------------------------------------------------------------------------|----------------------------------------------------------|
| 1 | All data in the FIFO buffer allocated to the selected pipe (two FIFO buffers in double buffer mode) | When initializing the selected pipe |
| 2 | Interval count value when the selected pipe is the isochronous transfer type | When resetting the interval count value |
| 3 | Internal flags related to the PIPECFG.BFRE bit | When changing the PIPECFG.BFRE setting |
| 4 | FIFO buffer toggle control | When changing the PIPECFG.DBLB setting |
| 5 | Internal flags related to the transaction count | When forcing the transaction count function to terminate |

ATREPM bit (Auto Response Mode*2)

The ATREPM bit enables or disables auto response mode for the selected pipe.

This bit can be set to 1 in device controller mode when the selected pipe is for bulk transfer. When the bit is set to 1, the USBFS responds to the token from the USB host as follows:

- When the selected pipe is set for Bulk IN transfers (PIPECFG.TYPE[1:0] = 01b and PIPECFG.DIR = 1):
 - a. When the ATREPM bit = 1 and PID = BUF, the USBFS transmits a zero-length packet in response to the IN token.
 - b. The USBFS updates (allows toggling of) the sequence toggle bit (DATA-PID) each time the USBFS receives ACK from the USB host. In a single transaction, the IN token is received, a zero-length packet is transmitted, and then ACK is received. The USBFS does not generate the BRDY or BEMP interrupt.
- When the selected pipe is set for Bulk OUT transfers (PIPECFG.TYPE[1:0] = 01b and PIPECFG.DIR = 0):

When the ATREPM bit = 1 and PID = BUF, the USBFS returns NAK in response to the OUT token and generates an NRDY interrupt.

For USB communication in auto response mode, set the ATREPM bit to 1 while the FIFO buffer is empty. Do not write to the FIFO buffer during USB communication in auto response mode. When the selected pipe uses isochronous transfer, always set this bit to 0.

In host controller mode, always set the ATREPM bit to 0.

INBUFM bit (Transmit Buffer Monitor)

The INBUFM bit indicates the FIFO buffer status for the selected pipe in the transmitting direction.

When the selected pipe is transmitting (PIPECFG.DIR = 1), the USBFS sets this bit to 1 when the CPU or DMA/DTC completes writing data to at least one FIFO buffer plane.

The USBFS sets this bit to 0 when the USBFS completes transmitting the data from the FIFO buffer plane to which all the data is written. In double buffer mode (PIPECFG.DBLB = 1), the USBFS sets the INBUFM bit to 0 when it completes transmitting the data from the two FIFO buffer planes before the CPU or DMA/DTC completes writing data to one FIFO buffer plane.

The INBUFM bit indicates the same value as the BSTS bit when the selected pipe is in the receiving direction (PIPECFG.DIR = 0).

BSTS bit (Buffer Status)

The BSTS bit indicates the FIFO buffer status for the selected pipe.

The meaning of the BSTS bit depends on the PIPECFG.DIR, PIPECFG.BFRE, and DnFIFOSEL.DCLRM settings, as shown in Table 27.10.

Table 27.10 BSTS bit operation

| DIR value | BFRE value | DCLRM value | BSTS bit function |
|-----------|------------|-------------|--------------------------------------------------------------------------------------------------------------------------------------------------------------------------------|
| 0 | 0 | 0 | Sets to 1 when received data can be read from the FIFO buffer, and sets to 0 on completion of data read |
| | | 1 | Setting prohibited |
| | 1 | 0 | Sets to 1 when received data can be read from the FIFO buffer, and sets to 0 when software sets the BCLR bit in the port control register to 1 after the data read is complete |
| | | 1 | Sets to 1 when received data can be read from the FIFO buffer, and sets to 0 on completion of data read |
| 1 | 0 | 0 | Sets to 1 when transmitted data can be written to the FIFO buffer, and sets to 0 on completion of data write |
| | | 1 | Setting prohibited |
| | 1 | 0 | Setting prohibited |
| | | 1 | Setting prohibited |

PIPEnCTR (n = 6 to 9)

Address(es): [USBFS.PIPE6CTR 4009 007Ah](#), [USBFS.PIPE7CTR 4009 007Ch](#), [USBFS.PIPE8CTR 4009 007Eh](#), [USBFS.PIPE9CTR 4009 0080h](#)

| | b15 | b14 | b13 | b12 | b11 | b10 | b9 | b8 | b7 | b6 | b5 | b4 | b3 | b2 | b1 | b0 |
|--------------------|------|-----|-----|-----|-----|-----|-------|-------|-------|-------|-------|----|----|----|----------|----|
| | BSTS | — | — | — | — | — | ACLRM | SQCLR | SQSET | SQMON | PBUSY | — | — | — | PID[1:0] | |
| Value after reset: | 0 | 0 | 0 | 0 | 0 | 0 | 0 | 0 | 0 | 0 | 0 | 0 | 0 | 0 | 0 | 0 |

| Bit | Symbol | Bit name | Description | R/W |
|------------|--------------------------|----------------------------------|--------------------------------------------------------------------------------------------------------------------------------------------------------------------------------|-----------|
| b1, b0 | PID[1:0] | Response PID | b1 b0 0 0: NAK response 0 1: BUF response (depends on the buffer state) 1 0: STALL response 1 1: STALL response. | R/W |
| b4 to b2 | — | Reserved | These bits are read as 0. The write value should be 0. | R/W |
| b5 | PBUSY | Pipe Busy | 0: The selected pipe is not used for the transaction 1: The selected pipe is used for the transaction. | R |
| b6 | SQMON | Sequence Toggle Bit Confirmation | 0: DATA0 1: DATA1. | R |
| b7 | SQSET | Sequence Toggle Bit Set*2 | Sets the sequence toggle bit for pipe n: 0: Invalid (writing 0 has no effect) 1: Set the expected value for the next transaction to DATA1. This bit is read as 0. | R/W *1 |
| b8 | SQCLR | Sequence Toggle Bit Clear*2 | Clears the sequence toggle bit for pipe n: 0: Invalid (writing 0 has no effect) 1: Clear the expected value for the next transaction to DATA0. This bit is read as 0. | R/W *1 |
| b9 | ACLRM | Auto Buffer Clear Mode*2,*3 | 0: Disabled 1: Enabled (all buffers are initialized). | R/W |
| b14 to b10 | — | Reserved | These bits are read as 0. The write value should be 0. | R/W |
| b15 | BSTS | Buffer Status | 0: Buffer access disabled 1: Buffer access enabled. | R |

Note 1. Only 0 can be read. Only 1 can be written.

Note 2. Only write 1 to the SQCLR or SQSET bit while PID is NAK. Before setting these bits, check that the PBUSY bit is 0, and then change the PID[1:0] bits from 01b (BUF) to 00b (NAK). If the PID[1:0] bits are changed to 00 (NAK) by the USBFS, checking the PBUSY bit through software is not required.

Note 3. Only set the ACLRM bit while PID is NAK and before the pipe is selected in the CURPIPE[3:0] bits in the port select register. Before setting this bits, check that the PIPEnCTR.PBUSY bit is 0, and then change the PIPEnCTR.PID[1:0] bits from 01b (BUF) to 00b (NAK). If the PID[1:0] bits are changed to 00 (NAK) by the USBFS, checking the PBUSY bit through software is not required.

PID[1:0] bits (Response PID)

The PID[1:0] bits specify the response type for the next transaction of the selected pipe.

The default PID[1:0] setting is NAK. Change the PID[1:0] setting to BUF to use the selected pipe for USBFS transfer. Table 27.7 and Table 27.7 show the basic operation of the USB depending on the PID[1:0] setting when there are no errors in the transmitted and received packets.

After changing the PID[1:0] setting from BUF to NAK through software during USBFS communication on the selected pipe, check that the PBUSY bit is 1 to see if USB transfer on the selected pipe has actually entered the NAK state. If the USBFS changes the PID[1:0] bits to NAK, checking the PBUSY bit through software is not necessary.

The USBFS changes the PIPEnCTR.PID[1:0] setting in the following cases:

- The USBFS sets PID to STALL (11b) on receiving a data packet with a payload exceeding the maximum packet size of the selected pipe
- The USBFS sets PID to NAK on detecting a USB bus reset in device controller mode
- The USBFS sets PID to NAK on detecting a reception error, such as a CRC error, three consecutive times in host controller mode
- The USBFS sets PID to STALL (11b) on receiving the STALL handshake in host controller mode.

To specify each response type, set the PID[1:0] bits as follows:

- To transition from NAK (00b) to STALL, set 10b
- To transition from BUF (01b) to STALL, set 11b
- To transition from STALL (11b) to NAK, set 10b and then 00b
- To transition from STALL to BUF, set 00b (NAK) and then 01b (BUF).

PBUSY bit (Pipe Busy)

The PBUSY bit indicates whether the selected pipe is currently used for the transaction.

The USBFS changes the PBUSY bit from 0 to 1 at the start of the USBFS transaction for the selected pipe, and changes the PBUSY bit from 1 to 0 on completion of one transaction.

Reading the PBUSY bit through software after PID is set to NAK allows you to check whether changing the pipe setting is possible.

SQMON bit (Sequence Toggle Bit Confirmation)

The SQMON bit indicates the expected value of the sequence toggle bit for the next transaction of the selected pipe.

The USBFS toggles the SQMON bit on successful completion of the transaction. However, the USBFS does not toggle the SQMON bit when a DATA-PID mismatch occurs during transfer in the receiving direction.

SQSET bit (Sequence Toggle Bit Set*²)

Setting the SQSET bit to 1 through software allows the USBFS to set DATA1 as the expected value of the sequence toggle bit for the next transaction of the selected pipe. The USBFS sets the SQSET bit to 0.

SQCLR bit (Sequence Toggle Bit Clear*²)

Setting the SQCLR bit to 1 through software allows the USBFS to clear the expected value of the sequence toggle bit for the next transaction of the selected pipe to DATA0. The USBFS sets the SQCLR bit to 0.

ACLRM bit (Auto Buffer Clear Mode*²,*³)

The ACLRM bit enables or disables auto buffer clear mode for the selected pipe. To completely clear the data in the FIFO buffer allocated to the selected pipe, write 1 and then 0 to the ACLRM bit continuously.

Table 27.11 shows the data cleared by writing 1 and 0 continuously to the ACLRM bit and the cases in which this processing is required.

Table 27.11 Data cleared by USBFS when ACLRM = 1

| Number | Data cleared by setting the ACLRM bit | Situations requiring data clear |
|--------|----------------------------------------------------------------------------------------------------------------|----------------------------------------------------------|
| 1 | All data in the FIFO buffer allocated to the selected pipe | When initializing the selected pipe |
| 2 | The interval count value when the selected pipe is for interrupt transfer and the host controller is selected. | When resetting the interval count value |
| 3 | Internal flags related to the PIPECFG.BFRE bit | When changing the PIPECFG.BFRE setting |
| 4 | Internal flags related to the transaction count | When forcing the transaction count function to terminate |

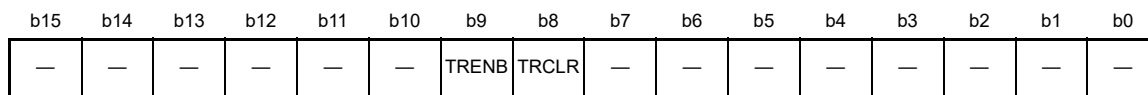
BSTS bit (Buffer Status)

The BSTS bit indicates the FIFO buffer status for the selected pipe.

The meaning of the BSTS bit depends on the PIPECFG.DIR, PIPECFG.BFRE, and DnFIFOSEL.DCLRM settings, as shown in Table 27.10.

27.2.31 PIPE_n Transaction Counter Enable Register (PIPE_nTRE) (n = 1 to 5)

Address(es): USBFS.PIPE1TRE 4009 0090h, USBFS.PIPE2TRE 4009 0094h, USBFS.PIPE3TRE 4009 0098h, USBFS.PIPE4TRE 4009 009Ch, USBFS.PIPE5TRE 4009 00A0h



Value after reset: 0 0 0 0 0 0 0 0 0 0 0 0 0 0 0 0

| Bit | Symbol | Bit name | Description | R/W |
|------------|--------|----------------------------|-----------------------------------------------------------------------------|-----|
| b7 to b0 | — | Reserved | These bits are read as 0. The write value should be 0. | R/W |
| b8 | TRCLR | Transaction Counter Clear | 0: Invalid (writing 0 has no effect) 1: Clear the current counter value. | R/W |
| b9 | TRENB | Transaction Counter Enable | 0: Transaction counter disabled 1: Transaction counter enabled. | R/W |
| b15 to b10 | — | Reserved | These bits are read as 0. The write value should be 0. | R/W |

Note: Set each bit in PIPE_nTRE while PID is NAK. Before setting these bits, check that the PIPE_nCTR.PBUSY bit is 0, then change the PIPE_nCTR.PID[1:0] bits for the selected pipe from BUF to NAK. If the USBFS changes the PID[1:0] bits to NAK, checking the PBUSY bit through software is not required.

TRCLR bit (Transaction Counter Clear)

When the TRCLR bit is 1, the USBFS clears the current value of the transaction counter associated with the selected pipe and then sets the TRCLR bit to 0.

TRENB bit (Transaction Counter Enable)

The TRENB bit enables or disables the transaction counter.

For receiving pipes, setting the TRENB bit to 1 after setting the total number of the packets to be received in the PIPE_nTRN.TRNCNT[15:0] bits through software allows the USBFS to control hardware as follows:

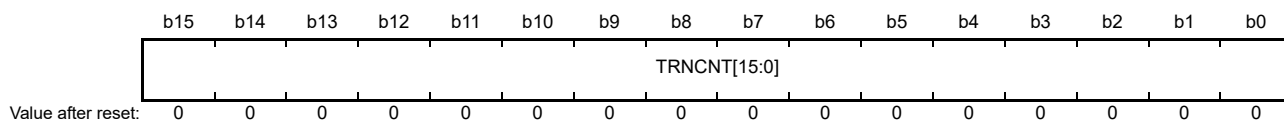
- When the PIPECFG.SHTNAK bit is 1, the USBFS changes the PID bits to NAK for the associated pipe on having received the number of packets equal to the TRNCNT[15:0] setting
- When the PIPECFG.BFRE bit is 1, the USBFS asserts the BRDY interrupt on having received the number of packets equal to the TRNCNT[15:0] setting and then reading the last received data.

For transmitting pipes, set the TRENB bit to 0.

When the transaction counter is not used, set this bit to 0. When the transaction counter is used, set the TRNCNT[15:0] bits before setting this bit to 1. Set this bit to 1 before receiving the first packet to be counted by the transaction counter.

27.2.32 PIPE_n Transaction Counter Register (PIPE_nTRN) (n = 1 to 5)

Address(es): [USBFS.PIPE1TRN 4009 0092h](#), [USBFS.PIPE2TRN 4009 0096h](#), [USBFS.PIPE3TRN 4009 009Ah](#),
[USBFS.PIPE4TRN 4009 009Eh](#), [USBFS.PIPE5TRN 4009 00A2h](#)



| Bit | Symbol | Bit name | Description | R/W |
|-----------|------------------------------|---------------------|--------------------------------------------------------------------------------------------------------------------------------------------------------------------------------------------------------------------------------------------------------------------------------------------------------------------------------------------------------------------------------------------------------|-----|
| b15 to b0 | TRNCNT[15:0] | Transaction Counter | <ul style="list-style-type: none"> When written to: Specifies the total number of packets (number of transactions) to be received by the selected pipe When read from: Indicates the specified number of transactions if the PIPE_nTRE.TRENB bit is 0. Indicates the number of currently counted transactions if the PIPE_nTRE.TRENB bit is 1. | R/W |

The PIPE_nTRN registers retain their current setting during a USB bus reset.

[TRNCNT\[15:0\] bits \(Transaction Counter\)](#)

The USBFS increments the value of the TRNCNT[15:0] bits by 1 when all of the following conditions are satisfied on receiving the packet:

- The PIPE_nTRE.TRENB bit = 1
- (TRNCNT[15:0] set value \neq current counter value + 1) on receiving the packet
- The payload of the received packet agrees with the PIPEMAXP.MXPS[8:0] setting.

The USBFS sets the value of the TRNCNT[15:0] bits to 0 when any of the following conditions are satisfied:

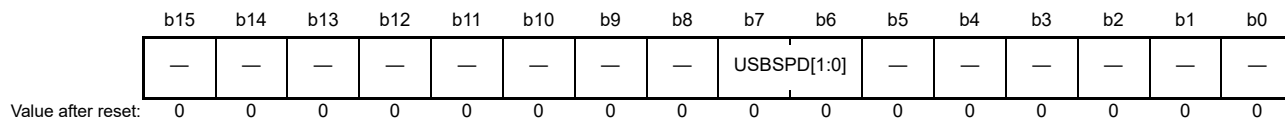
- All of the following conditions are satisfied:
 - The PIPE_nTRE.TRENB bit = 1
 - (TRNCNT[15:0] set value = current counter value + 1) on receiving the packet
 - The payload of the received packet aligns with the PIPEMAXP.MXPS[8:0] setting.
- All of the following conditions are satisfied:
 - The PIPE_nTRE.TRENB bit = 1
 - The USBFS received a short packet.
- All of the following conditions are satisfied:
 - The PIPE_nTRE.TRENB bit = 1
 - The PIPE_nTRE.TRCLR bit is set to 1 by software.

For transmitting pipes, set the TRNCNT[15:0] bits to 0. When the transaction counter is not used, set the TRNCNT[15:0] bits to 0.

Setting the number of transactions to be transferred to the TRNCNT[15:0] bits is only enabled when the PIPE_nTRE.TRENB bit is 0. To set the number of transactions to be transferred, set the TRCLR bit to 1 to clear the current counter value before setting the PIPE_nTRE.TRENB bit to 1.

27.2.33 Device Address n Configuration Register (DEVADDn) (n = 0 to 5)

Address(es): [USBFS.DEVADD0 4009 00D0h](#), [USBFS.DEVADD1 4009 00D2h](#), [USBFS.DEVADD2 4009 00D4h](#), [USBFS.DEVADD3 4009 00D6h](#), [USBFS.DEVADD4 4009 00D8h](#), [USBFS.DEVADD5 4009 00DAh](#)



| Bit | Symbol | Bit name | Description | R/W |
|-----------|-----------------------------|-----------------------------------------------|-------------------------------------------------------------------------------------------------|-----|
| b5 to b0 | — | Reserved | These bits are read as 0. The write value should be 0. | R/W |
| b7, b6 | USBSPD[1:0] | Transfer Speed of Communication Target Device | b7 b6 0 0: DEVADDn not used 0 1: Low-speed 1 0: Full-speed 1 1: Setting prohibited. | R/W |
| b15 to b8 | — | Reserved | These bits are read as 0. The write value should be 0. | R/W |

The DEVADDn register specifies the transfer speed of the peripheral device that is the communication target for pipes 0 to 9.

In host controller mode, set all DEVADDn bits before starting communication to any pipes. Only change the bits in DEVADDn when no valid pipes are using the bit settings. A valid pipe is defined as one that satisfies both of the following conditions:

- DEVADDn is selected in the DEVSEL[3:0] bits
- The PID[1:0] bits are set to BUF for the selected pipe, or the selected pipe is the DCP with the DCPCTR.SUREQ bit set to 1.

In device controller mode, set all bits in this register to 0.

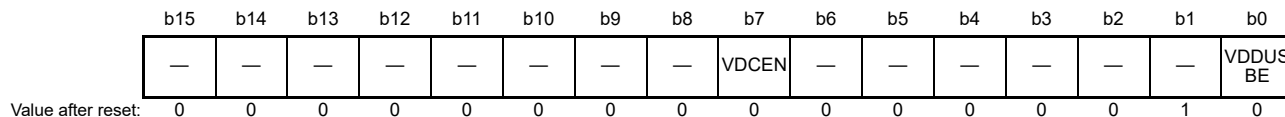
USBSPD[1:0] bits (Transfer Speed of Communication Target Device)

The USBSPD[1:0] bits specify the USB transfer speed of the target peripheral device.

In host controller mode, the USBFS generates packets based on the USBSPD[1:0] setting. In device controller mode, set these bits to 00b.

27.2.34 USB Module Control Register (USBMC)

Address(es): [USBFS.USBMC 4009 00CCh](#)



| Bit | Symbol | Bit name | Description | R/W |
|-----------|-------------------------|---------------------------------------------------|----------------------------------------------------------------------------------------|-----|
| b0 | VDDUSBE | USB Reference Power Supply Circuit On/Off Control | 0: USB reference power supply circuit off 1: USB reference power supply circuit on. | R/W |
| b1 | — | Reserved | This bit is read as 1. The write value should be 1. | R/W |
| b6 to b2 | — | Reserved | These bits are read as 0. The write value should be 0. | R/W |
| b7 | VDCEN | USB Regulator On/Off Control | 0: USB regulator off 1: USB regulator on. | R/W |
| b15 to b8 | — | Reserved | These bits are read as 0. The write value should be 0. | R/W |

VDDUSBE bit (USB Reference Power Supply Circuit On/Off Control)

The USB reference power supply circuit generates the reference voltage for battery charging. Set this bit to 1 when using the battery charging function.

VDCEN bit (USB Regulator On/Off Control)

The VDCEN bit controls the USB regulator circuit. Set this bit to 1 when using the USB regulator circuit.

27.2.35 BC Control Register 0 (USBBCCTRL0)

Address(es): USBFS.USBBCCTRL0 4009 00B0h

| | | | | | | | | | | | | | | | |
|----------------------------------------------------|-----|-----|-----|-----|-----|-----------|------------|----------|----|----------|-----------|----------|-----------|----------|--------|
| b15 | b14 | b13 | b12 | b11 | b10 | b9 | b8 | b7 | b6 | b5 | b4 | b3 | b2 | b1 | b0 |
| — | — | — | — | — | — | PDDETSTS0 | CHGDETSTS0 | BATCHGEO | — | VDMSRCE0 | IDPSINKE0 | VDPSRCE0 | IDMSINKE0 | IDPSRCE0 | RPDME0 |
| Value after reset: 0 0 0 0 0 0 0 0 0 0 0 0 0 0 0 0 | | | | | | | | | | | | | | | |

| Bit | Symbol | Bit name | Description | R/W |
|------------|------------|------------------------------------------------------------|-----------------------------------------------------------------------|-----|
| b0 | RPDME0 | D- Pin Pull-Down Control | 0: Pull-down off 1: Pull-down on. | R/W |
| b1 | IDPSRCE0 | D+ Pin IDPSRC Output Control | 0: Stop 1: 10 μ A output. | R/W |
| b2 | IDMSINKE0 | D- Pin 0.6 V Input Detection (Comparator and Sink) Control | 0: Detection off 1: Detection on (comparator and sink current on). | R/W |
| b3 | VDPSRCE0 | D+ Pin VDPSRC (0.6 V) Output Control | 0: Stop 1: 0.6 V output. | R/W |
| b4 | IDPSINKE0 | D+ Pin 0.6 V Input Detection (Comparator and Sink) Control | 0: Detection off 1: Detection on (comparator and sink current on). | R/W |
| b5 | VDMSRCE0 | D- Pin VDMSRC (0.6 V) Output Control | 0: Stop 1: 0.6 V output. | R/W |
| b6 | — | Reserved | This bit is read as 0. The write value should be 0. | R/W |
| b7 | BATCHGEO | BC (Battery Charger) Function General Enable Control | 0: Disabled 1: Enabled. | R/W |
| b8 | CHGDETSTS0 | D- Pin 0.6 V Input Detection Status*1 | 0: Not detected 1: Detected. | R |
| b9 | PDDETSTS0 | D+ Pin 0.6 V Input Detection Status*2 | 0: Not detected 1: Detected. | R |
| b15 to b10 | — | Reserved | These bits are read as 0. The write value should be 0. | R/W |

Note 1. Valid when IDMSINKE0 = 1.

Note 2. Valid when IDPSINKE0 = 1.

RPDME0 bit (D- Pin Pull-Down Control)

When using the battery charging function, set this bit to 1 to control the pull-down resistor of the D- pin.

IDPSRCE0 bit (D+ Pin IDPSRC Output Control)

With this bit set to 1 in device controller mode, the current output is enabled on detection of the data connection pin and the D+ pin is pulled-up.

IDMSINKE0 bit (D- Pin 0.6 V Input Detection (Comparator and Sink) Control)

With this bit set to 1 in device controller mode, the USBFS detects whether VDMSRC (0.6 V) that is output from the host to D- on primary detection is connected, or whether VDPSRC (0.6 V) that is output from the function to D+ is connected to the function of D- through the host.

VDPSRCE0 bit (D+ Pin VDPSRC (0.6 V) Output Control)

With this bit set to 1 in device controller mode, output is enabled on primary detection and VDPSRC (0.6 V) is applied to D+.

IDPSINKE0 bit (D+ Pin 0.6 V Input Detection (Comparator and Sink) Control)

With this bit set to 1 in device controller mode, the USBFS detects whether VDMSRC (0.6 V) that is output from the function to D- is connected to the function of D+ (DCP) through the host. In host controller mode, the USBFS detects whether VDPSRC (0.6 V) that is output from the device to D+ during primary detection is connected.

VDMSRCE0 bit (D- Pin VDMSRC (0.6 V) Output Control)

With this bit set to 1 in device controller mode, output is enabled on secondary detection and VDMSRC (0.6 V) is applied to D-. In host controller mode, output is enabled on primary detection and VDMSRC (0.6 V) is applied to D-.

CHGDETSTS0 flag (D- Pin 0.6 V Input Detection Status)

In host controller mode, this flag is set to 1 if the USBFS detects whether VDMSRC (0.6 V) that is output from the host to D- during primary detection is connected, or whether VDPSRC (0.6 V) that is output from the function to D+ is connected to the function of D- through the host.

PDDTSTS0 flag (D+ Pin 0.6 V Input Detection Status)

In device controller mode, this flag is set to 1 if the USBFS detects whether VDMSRC (0.6 V) that is output from the function to D- during secondary detection is connected to the function of D+ (DCP) through the host.

In host controller mode, this bit is set to 1 if the USBFS detects whether VDPSRC (0.6 V) that is output from the function to D+ during primary detection is connected.

27.3 Operation

27.3.1 System Control

This section describes register settings required for initializing the USBFS and controlling power consumption.

27.3.1.1 Setting data to USBFS-related registers

Setting the SYSCFG.USBE bit to 1 after starting the clock supply to the USB (SYSCFG.SCKE bit = 1) enables and starts USBFS operation.

27.3.1.2 Selecting the controller function

Use the SYSCFG.DCFM bit to select one of the USBFS functions. The DCFM bit must be changed in the initial settings immediately after a reset or in the D+ pull-up-disabled state (SYSCFG.DPRPU bit = 0) and D+ and D- pull-down-disabled state (SYSCFG.DRPD bit = 0).

27.3.1.3 Controlling the USBFS data bus using resistors

The USBFS provides pull-up and pull-down resistors for the D+ and D- lines. Pull these lines up or down by setting the SYSCFG.DPRPU, SYSCFG.DMRPU, and SYSCFG.DRPD bits.

In device controller mode, confirm that connection to the USB host is made, then set the SYSCFG.DPRPU bit to 1 to pull up the D+ line (in full-speed communication), or set the SYSCFG.DMRPU bit to 1 to pull up the D- line (in low-speed communication).

When the SYSCFG.DPRPU (during full-speed) or the SYSCFG.DMRPU (during low-speed) bit is set to 0 during communication with a PC, the USBFS disables the pull-up resistor of the USB data line, thereby notifying the USB host of disconnection.

In host controller mode, set the SYSCFG.DRPD bit to 1 to pull down the D+ and D- lines.

Table 27.12 Control settings for the USBFS data bus resistors (1 of 2)

| SYSCFG register settings | | | | | |
|--------------------------|-----------|-----------|---------|---------|-------------------------------------------------------|
| DRPD bit | DPRPU bit | DMRPU bit | D- | D+ | Function |
| 0 | 0 | 0 | Open | Open | When resistors not used |
| 0 | 1 | 0 | Open | Pull-up | When operating as the device controller at full-speed |
| 0 | 0 | 1 | Pull-up | Open | When operating as the device controller at low-speed |

Table 27.12 Control settings for the USBFS data bus resistors (2 of 2)

| SYSCFG register settings | | | | | |
|--------------------------|-----------|-----------|-----------|-----------|-------------------------------------|
| DRPD bit | DPRPU bit | DMRPU bit | D- | D+ | Function |
| 1 | 0 | 0 | Pull-down | Pull-down | When operating as a host controller |
| Other settings | | | - | - | Setting prohibited |

27.3.1.4 Example of USBFS power supply connection

Figure 27.2 shows an example of power supply connection when the USB regulator is not used. Figure 27.3 and Figure 27.4 show examples of power supply connection when the USB regulator is used.

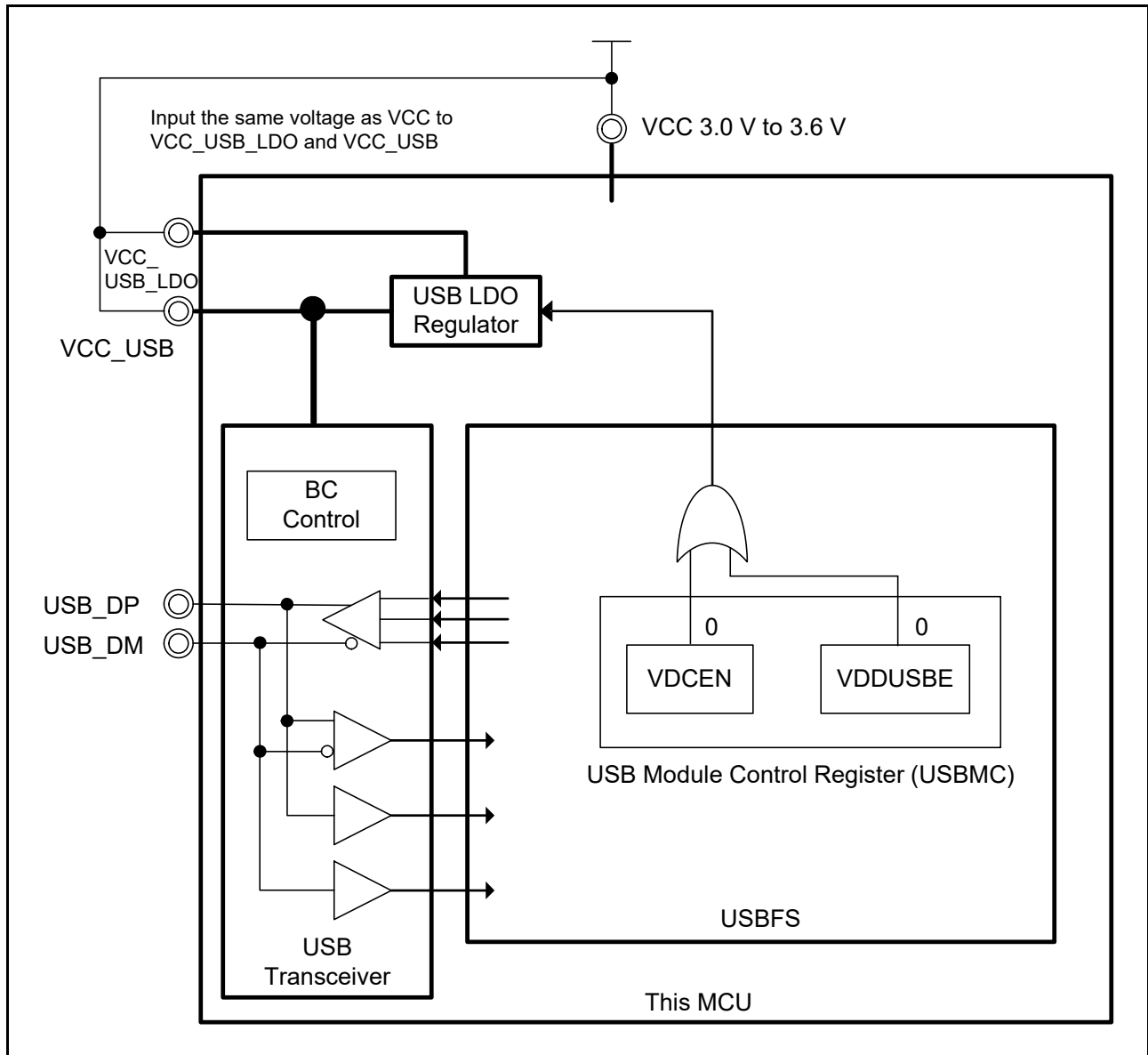


Figure 27.2 Example of power supply connection when the USB LDO regulator is not used

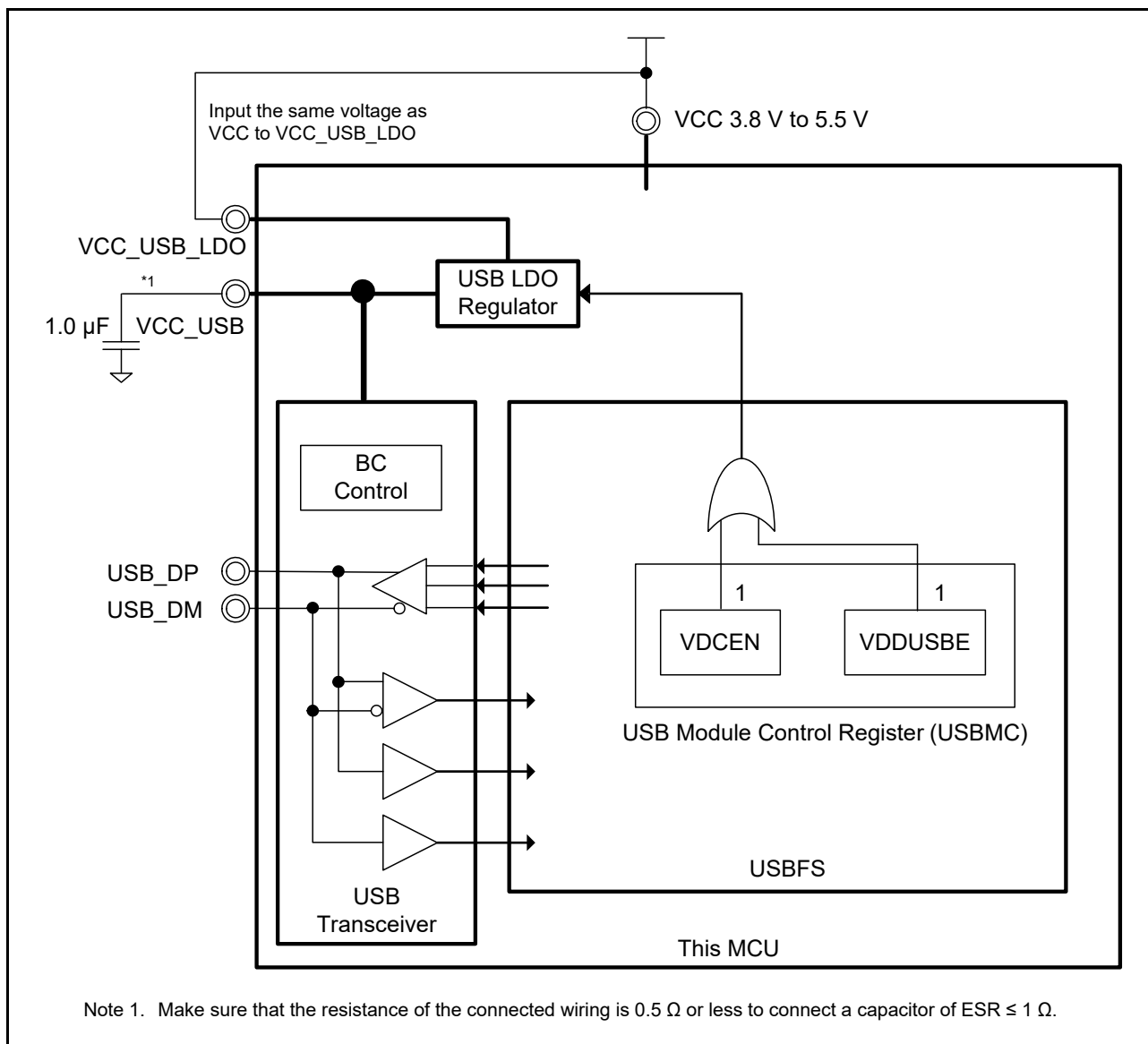


Figure 27.3 Example of power supply connection when the USB LDO regulator is used (BC used)

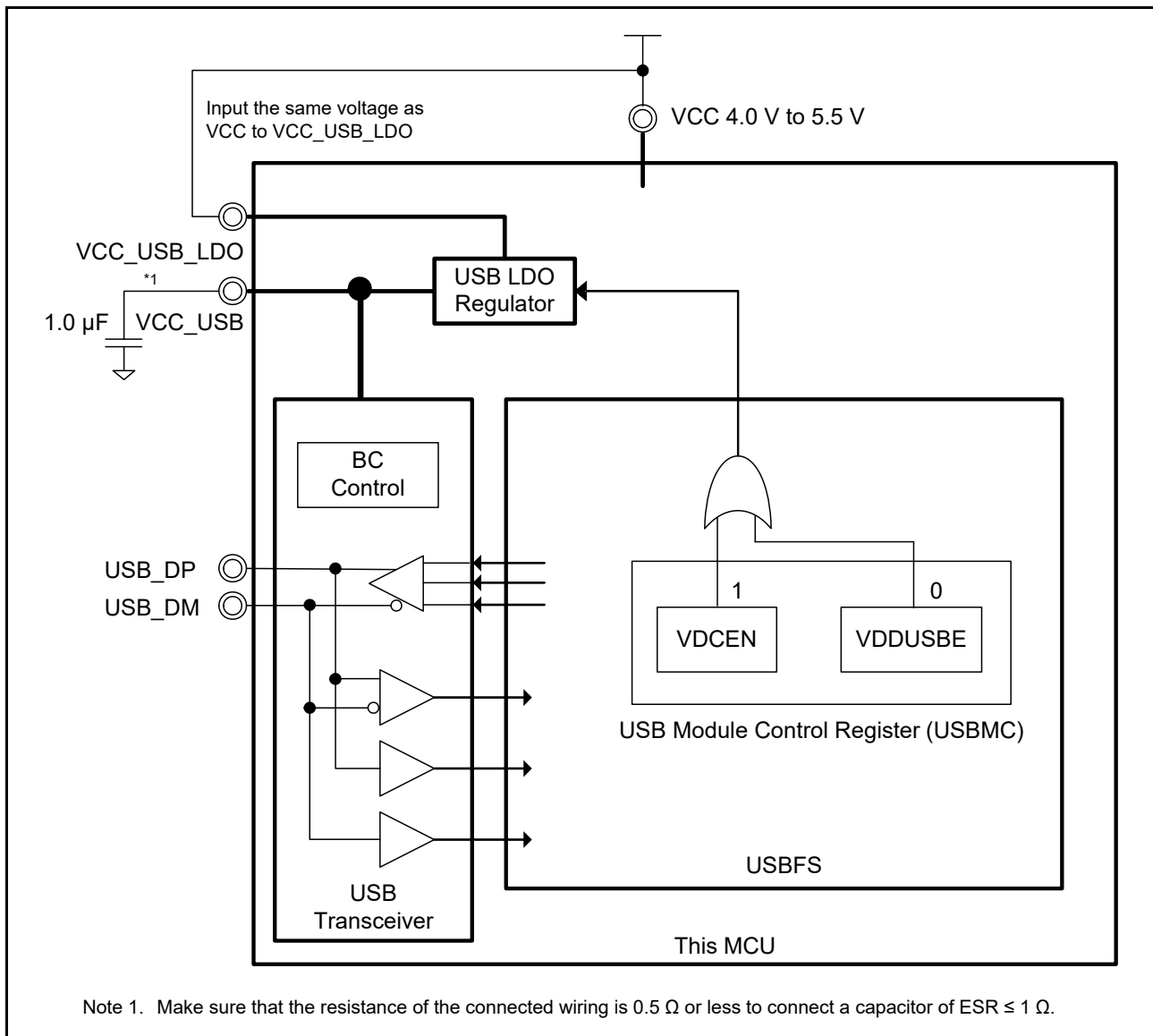


Figure 27.4 Example of power supply connection when the USB LDO regulator is used (BC not used)

27.3.1.5 Example of USB external connection circuits

The host recognizes a USB device when one of the data lines is pulled up. The MCU can use switching of the internal pull-up resistor for this. Also, bus-powered devices do not require external regulators because the MCU provides a power supply in the USB-PHY.

Figure 27.5 and Figure 27.6 show examples of external circuits for USB connection.

Figure 27.5 shows an example of OTG connection of the USB connector in the self-powered state.

The USBFS controls the pull-up resistor of the D+ line and the pull-down resistor of D+ and D- lines. Select pull-up and pull-down for the lines in the SYSCFG.DPRPU and SYSCFG.DRPD bits. In device controller mode, the pull-up resistor of USB data line is disabled if SYSCFG.DPRPU bit is set to 0 while communicating with the USB host. The USBFS can use this to notify the USB host of a device disconnect.

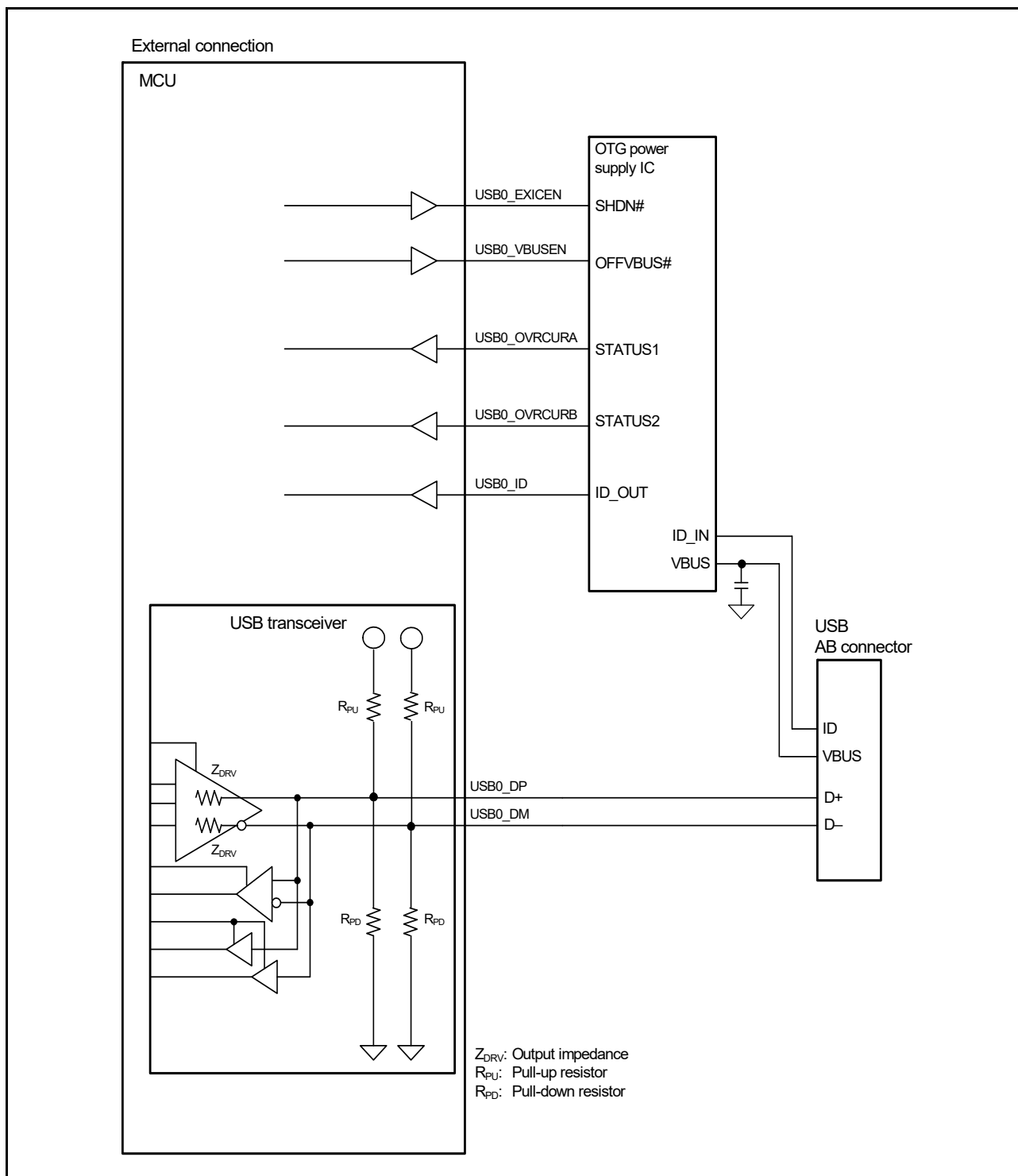


Figure 27.5 Example OTG connection in self-powered state

Figure 27.6 shows an example of functional connection of the USB connector in the self-powered state.

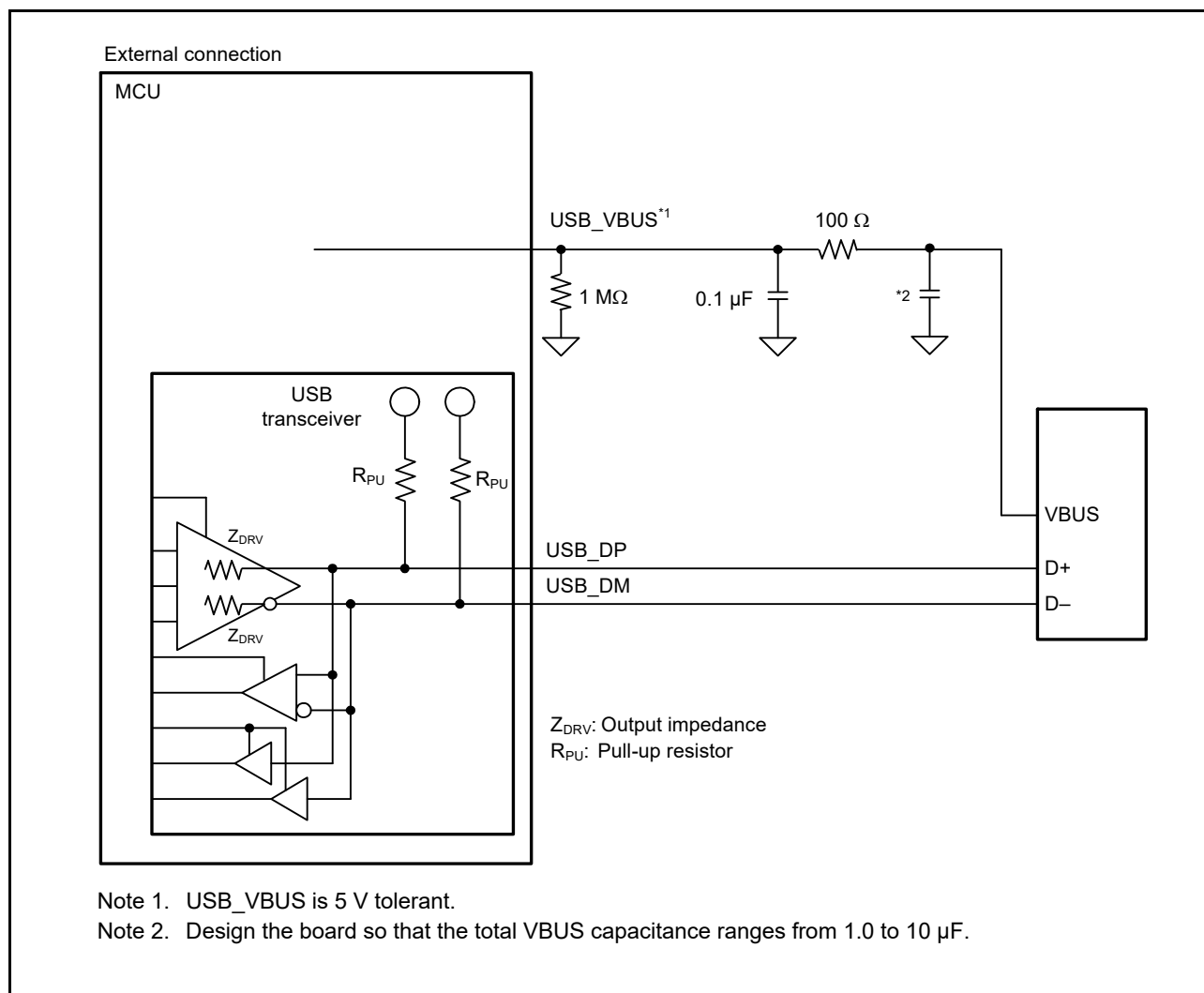


Figure 27.6 Example device connection in self-powered state

Figure 27.7 shows an example of host connection of the USB connector.

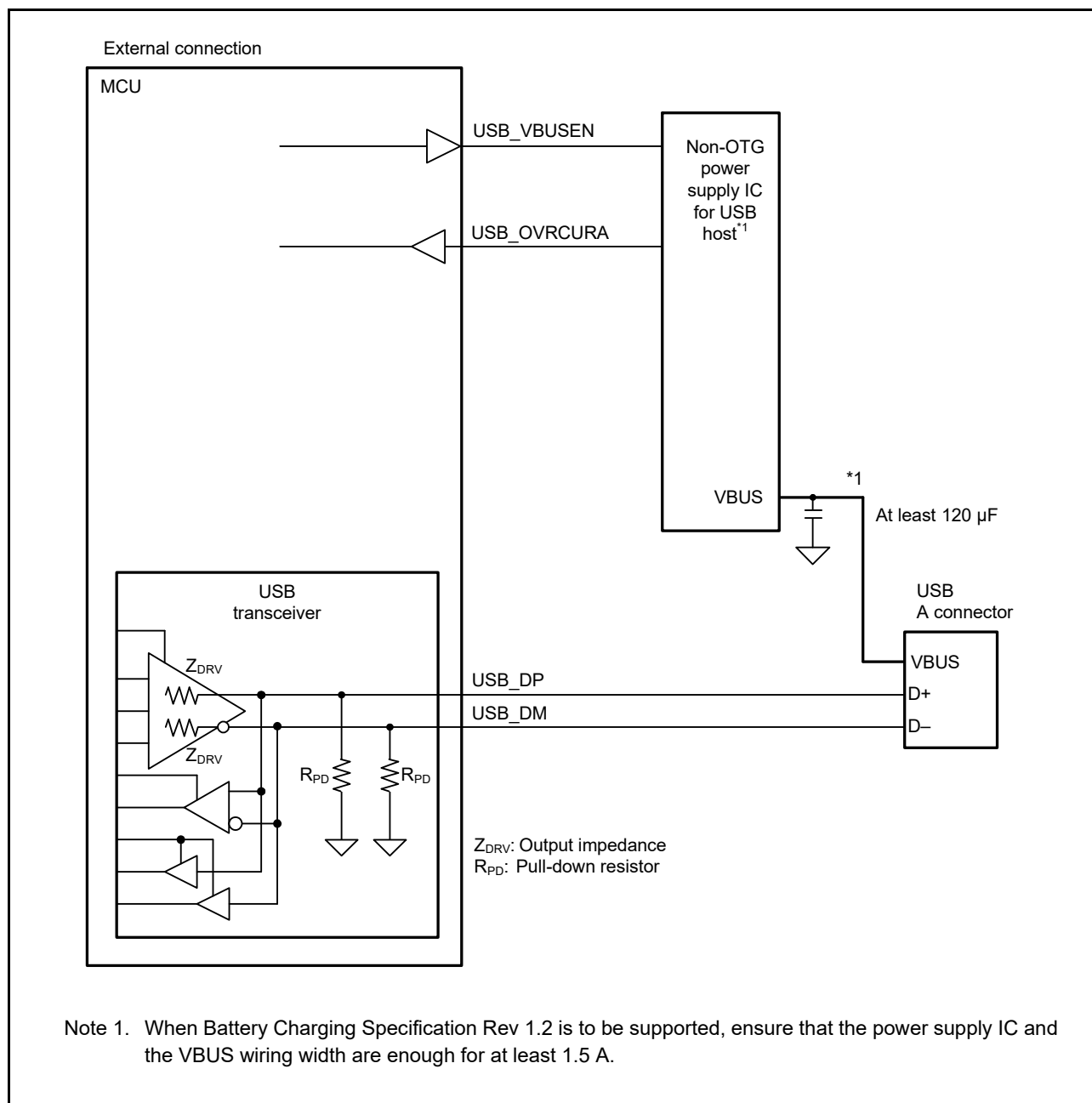


Figure 27.7 Example host connection

Figure 27.8 shows an example of functional connection of the USB connector in bus-powered state.

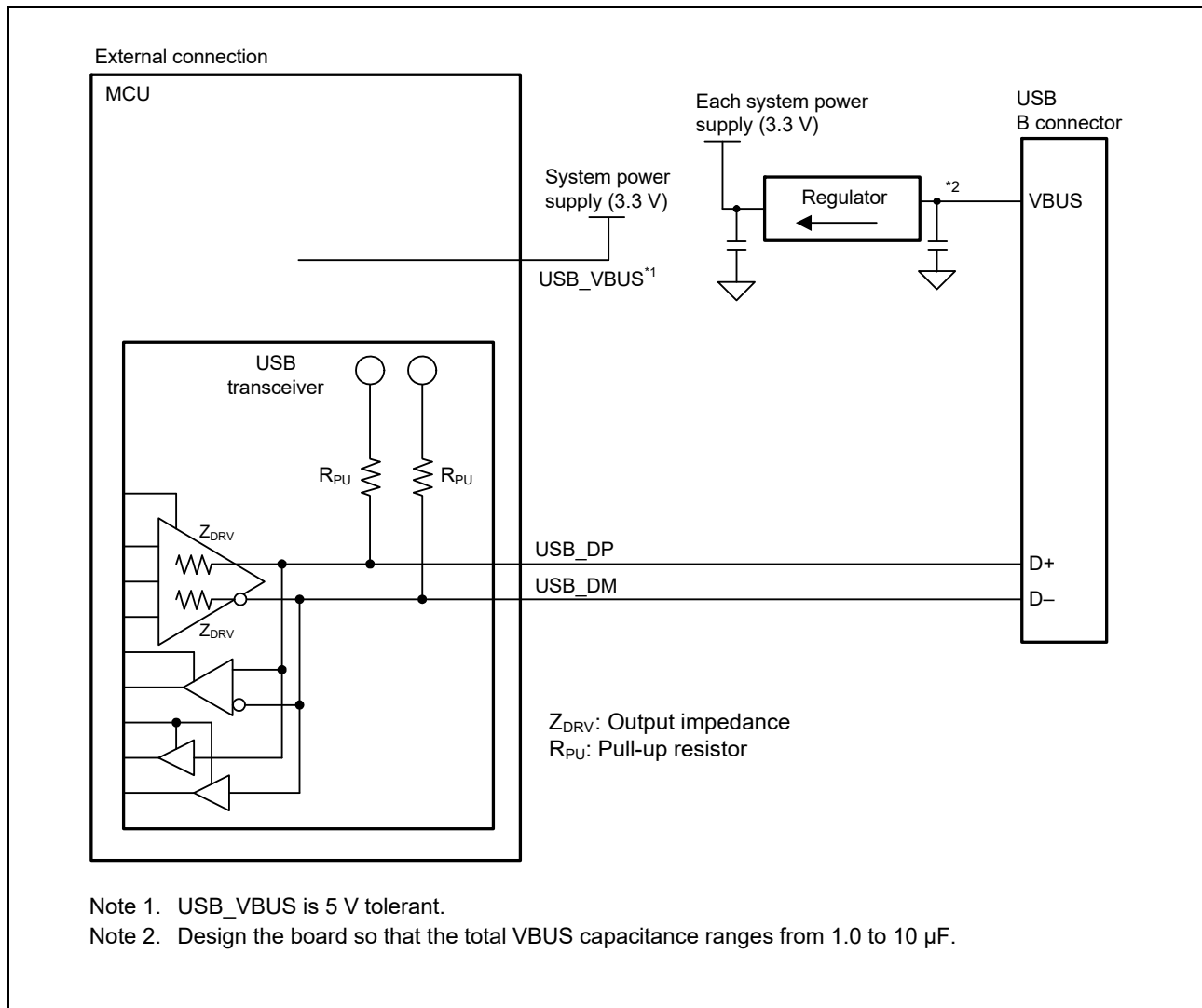


Figure 27.8 Example device connection in bus-powered state 1

Figure 27.9 shows an example of functional connection of the USB connector in bus-powered state 2.

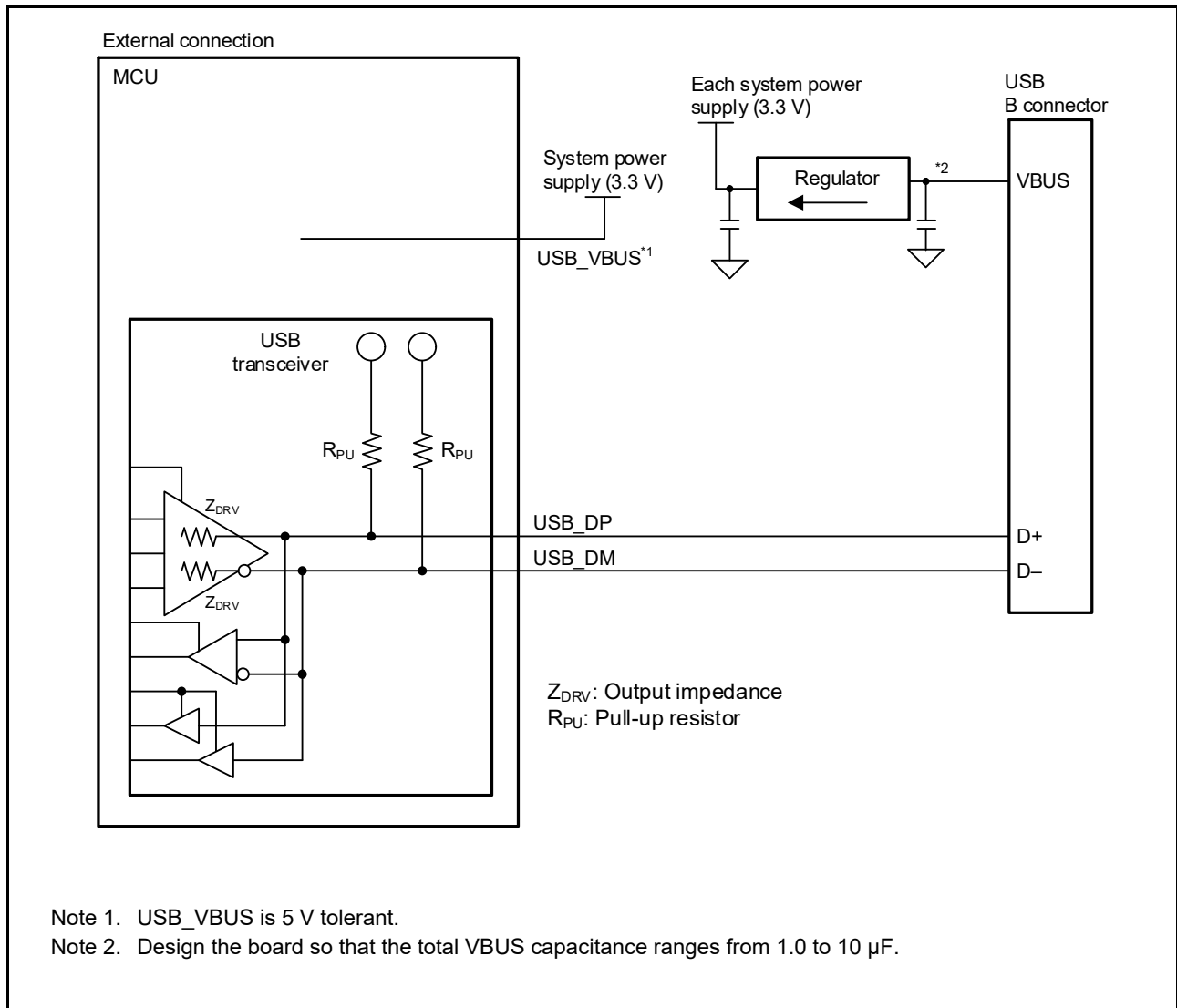


Figure 27.9 Example device connection in bus-powered state 2

The examples of external circuits given in this section are simplified circuits, and their operation in every system is not guaranteed.

Figure 27.10 shows an example of functional connection of the USB connector with Battery Charging Rev 1.2 supported.

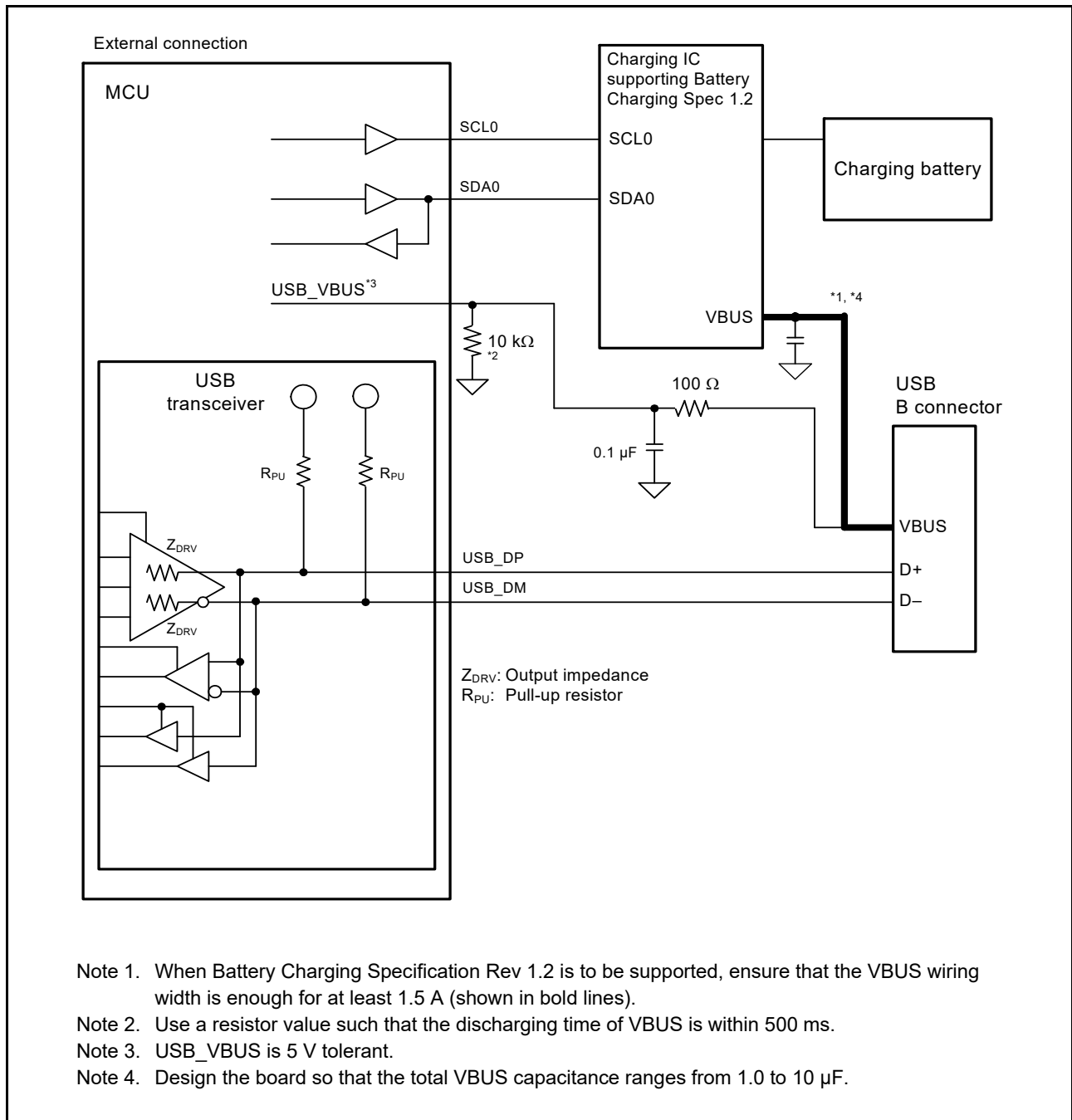


Figure 27.10 Example of functional connection with Battery Charging Rev 1.2 supported

27.3.2 Interrupt Sources

Table 27.13 lists the interrupt sources in the USBFS. When an interrupt generation condition is satisfied and the interrupt output is enabled using the associated interrupt enable register, a USBFS interrupt request is issued to the Interrupt Controller Unit and an USBFS interrupt is generated. See [section 13, Interrupt Controller Unit \(ICU\)](#).

Table 27.13 Interrupt sources (1 of 2)

| Bit to be set | Name | Interrupt source | Applicable controller function | Status flag |
|---------------|-----------------------------------------------------|------------------------------------------------------------------------------------------------------------------------------------------------------------------------------------------------------------------------------------------------------------------------------------------------------------------------------------------------------------------------------------------------------------------------------------------------------------------------------------------------------------------------------------------------------------------------------------------------------------------------------------------------------------------------------------------------------------------------------------------------------------------------------------------------------------------------|--------------------------------|------------------------|
| VBINT | VBUS interrupt | <ul style="list-style-type: none"> A change in the state of the USB_VBUS input pin was detected (low to high or high to low) | Host or device*1 | INTSTS0. VBSTS |
| RESM | Resume interrupt | <ul style="list-style-type: none"> A change in the state of the USB bus was detected in the Suspended state (J-state to K-state or J-state to SE0). | Device | - |
| SOFR | Frame number update interrupt | In host controller mode: <ul style="list-style-type: none"> An SOF packet with a different frame number was transmitted. In device controller mode: <ul style="list-style-type: none"> An SOF packet with a different frame number was received. | Host/device | - |
| DVST | Device state transition interrupt | One of the following device state transitions was detected: <ul style="list-style-type: none"> USB bus reset detected Suspended state detected SET_ADDRESS request received SET_CONFIGURATION request received. | Device | INTSTS0. DVSQ[2:0] |
| CTRT | Control transfer stage transition interrupt | A control transfer stage transition was detected because of one of the following: <ul style="list-style-type: none"> Setup stage completed Control write transfer status stage transition occurred Control read transfer status stage transition occurred Control transfer completed Control transfer sequence error occurred. | Device | INTSTS0. CTSQ[2:0] |
| BEMP | Buffer empty interrupt | <ul style="list-style-type: none"> The buffer is empty after all FIFO buffer data was transmitted A packet larger than the maximum packet size was received. | Host/device | BEMPSTS. PIPEnBEMP |
| NRDY | Buffer not ready interrupt | In host controller mode: <ul style="list-style-type: none"> A STALL response was received from the peripheral device in response to the issued token The response from the peripheral device in response to the issued token was not received successfully (no response three times consecutively or packet reception error three times consecutively) An overrun or underrun error occurred during isochronous transfer In device controller mode: <ul style="list-style-type: none"> NAK was returned for an IN or OUT token while the PID[1:0] bits were set to 01b (BUF) A CRC error or bit stuffing error occurred during data reception in isochronous transfer An overrun or underrun occurred during data reception in isochronous transfer. | Host/device | NRDYSTS. PIPEnNRDY |
| BRDY | Buffer ready interrupt | <ul style="list-style-type: none"> The buffer is ready (readable or writable state) | Host/device | BRDYSTS. PIPEnBRDY |
| OVRRCR | Overcurrent input change interrupt | <ul style="list-style-type: none"> USB_OVRCURA or USB_OVRCURB input pin state change was detected (low to high or high to low) | Host | INTSTS1. OVRRCR |
| BCHG | Bus change interrupt | <ul style="list-style-type: none"> USB bus state change was detected | Host/device | SYSSTS0. LNST[1:0] |
| DTCH | Disconnection detection during full-speed operation | <ul style="list-style-type: none"> Peripheral device disconnect was detected in full-speed operation | Host | DVSTCTR0. RHST[2:0] |
| ATTCH | Device connection detection | <ul style="list-style-type: none"> J-state or K-state was detected on the USB bus for 2.5 μs continuously This interrupt can be used to check whether peripheral devices are connected. | Host | - |

Table 27.13 Interrupt sources (2 of 2)

| Bit to be set | Name | Interrupt source | Applicable controller function | Status flag |
|---------------|-------------------------------------|---------------------------------------------------------------------------------------------------------------------------------------------------------|--------------------------------|-----------------------|
| EOFERR | EOF error detection | <ul style="list-style-type: none"> An EOF error was detected for a peripheral device | Host | - |
| SACK | Normal setup operation | <ul style="list-style-type: none"> A setup transaction normal response (ACK) was received | Host | - |
| SIGN | Setup error | <ul style="list-style-type: none"> A setup transaction error (no response or ACK packet corruption) was detected three consecutive times | Host | - |
| PDDEINT0 | Portable device detection interrupt | <ul style="list-style-type: none"> A connection of the portable device was detected | Host | INTSTS1.PD DETINT0 |

Note 1. Although this interrupt can be generated in host controller mode, it is not usually used in this mode.

Figure 27.11 shows the circuits related to the USBFS interrupts.

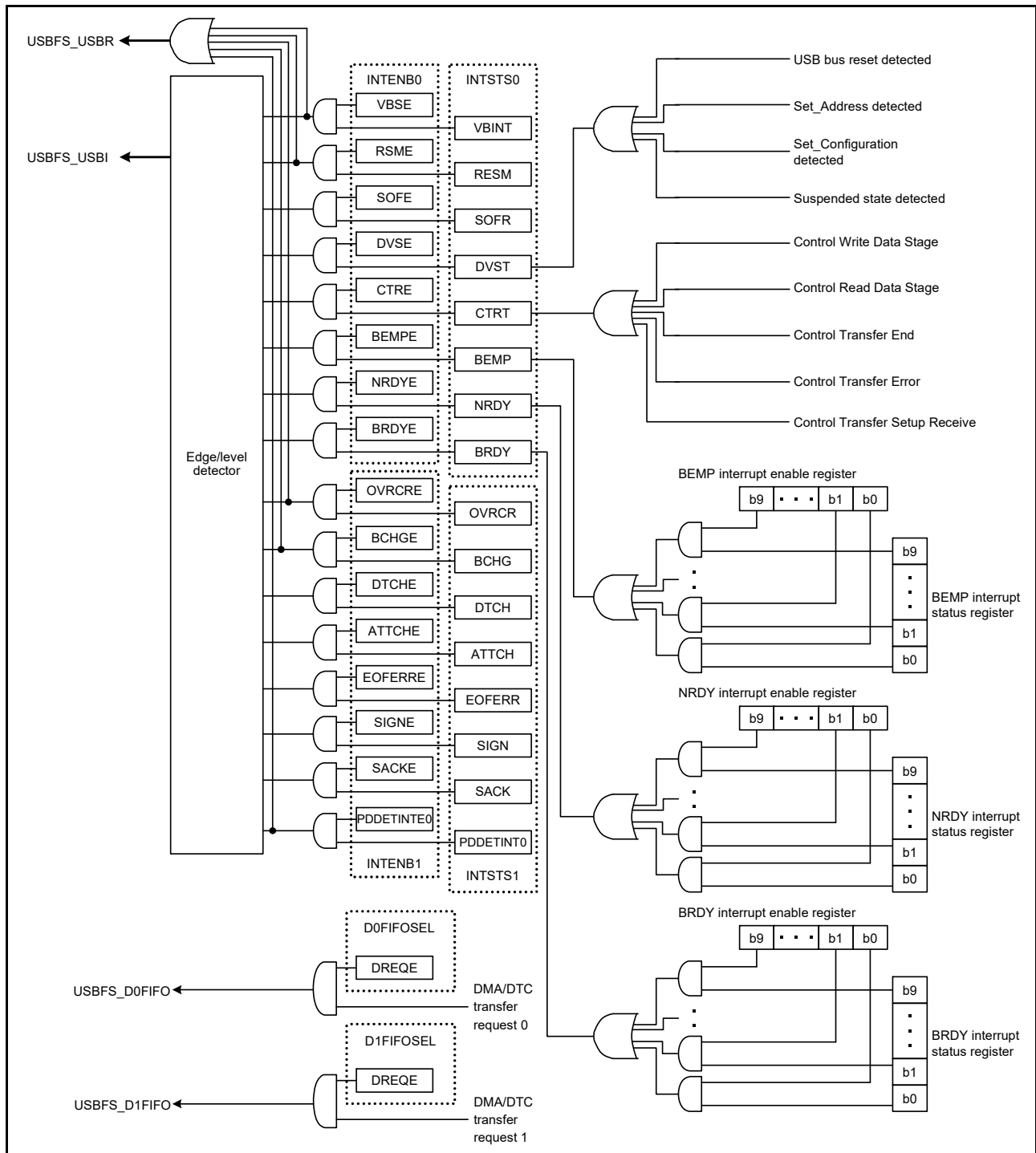


Figure 27.11 USBFS interrupt-related circuits

Table 27.14 shows the interrupts generated by the USBFS.

Table 27.14 USBFS interrupts

| Interrupt name | Interrupt status flag | DTC activation | DMAC activation | Priority |
|----------------|----------------------------------------------------------------------------------------------------------------------------------------------------------------------------------------------------------------------------------------------------------------------------------------------------------------------------------------------------------------------------------------------------------------------------------------------------------------------------|----------------|-----------------|----------|
| D0FIFO | DMA transfer request 0 | Possible | Possible | High |
| D1FIFO | DMA transfer request 1 | Possible | Possible | ↑ Low |
| USBFS_USBI | VBUS interrupt, resume interrupt, frame number update interrupt, device state transition interrupt, control transfer stage transition interrupt, buffer empty interrupt, buffer not ready interrupt, buffer ready interrupt, overcurrent input change interrupt, bus change interrupt, disconnection detection during full-speed operation, device connection detection, EOF error detection, normal setup operation, setup error, and portable device detection interrupt | Not possible | Not possible | |
| USBFS_USBR | VBUS interrupt, resume interrupt, overcurrent input change interrupt, bus change interrupt, and portable device detection interrupt | Not possible | Not possible | - |

27.3.3 Interrupt Descriptions

27.3.3.1 BRDY interrupt

The BRDY interrupt is generated in both host and device controller modes. This section describes the conditions in which the USBFS sets the associated bit in BRDYSTS to 1. Under these conditions, the USBFS generates a BRDY interrupt if software sets 1 to the bit in BRDYENB associated with the given pipe, and 1 to the INTENB0.BRDYE bit.

The conditions for generating and clearing the BRDY interrupt depend on the SOFCFG.BRDYM and PIPECFG.BFRE settings for each pipe as follows:

(1) When SOFCFG.BRDYM = 0 and PIPECFG.BFRE = 0

With these settings, the BRDY interrupt indicates that the FIFO port is accessible.

On any of the following conditions, the USBFS generates an internal BRDY interrupt request trigger and sets 1 to the BRDYSTS.PIPEnBRDY bit associated with the selected pipe.

(a) For transmitting pipes

- When the DIR bit is changed from 0 to 1 by software
- When packet transmission is complete for a pipe while write-access from the CPU to the FIFO buffer for the pipe is disabled (when the BSTS bit is read as 0)
- When one FIFO buffer is empty on completion of writing data to the other FIFO buffer in double buffer mode
- No request trigger is generated until completion of writing data to the currently-written FIFO buffer even if transmission to the other FIFO buffer is complete
- When the hardware flushes the buffer of the pipe for isochronous transfers
- When 1 is written to the PIPEnCTR.ACLRM bit, which causes the FIFO buffer to transition from the write-disabled to write-enabled state.

No request trigger is generated for the DCP during data transmission for control transfers.

(b) For receiving pipes

- When packet reception completes successfully therefore, enabling the FIFO buffer to be read while read-access from the CPU to the FIFO buffer for the selected pipe is disabled (when the BSTS bit is read as 0). No request trigger is generated for transactions in which a DATA-PID mismatch occurred.
- When one FIFO buffer is read-enabled on completion of reading data from the other FIFO buffer in double buffer mode. No request trigger is generated until completion of reading data from the currently-read FIFO buffer even when reception by the other FIFO buffer completes.

In device controller mode, the BRDY interrupt is not generated in the status stage of control transfers. The PIPEnBRDY interrupt status of the selected pipe can be set to 0 by writing 0 to the associated PIPEnBRDY bit through software. In this case, write 1 to the PIPEnBRDY bits for the other pipes. Clear the BRDY status before accessing the FIFO buffer.

(2) When SOFCFG.BRDYM = 0 and PIPECFG.BFRE = 1

With these settings, the USBFS generates a BRDY interrupt on completion of reading all data for a single transfer using the receiving pipe, and sets 1 to the bit in BRDYSTS associated with the selected pipe.

On any of the following conditions, the USBFS determines that the last data for a single transfer was received:

- When a short packet including a zero-length packet is received
- When the PIPE_n transaction counter register (PIPE_nTRN) is used and the number of packets specified in the PIPE_nTRN.TRNCNT[15:0] bits are completely received.

When the data is completely read after any of the specified conditions is satisfied, the USBFS determines that all data for a single transfer is completely read.

When a zero-length packet is received while the FIFO buffer is empty, the USBFS determines that all data for a single transfer is completely read when the FRDY bit in the FIFO port control register is 1 and the DTLN[8:0] bits are 0. In this case, to start the next transfer, write 1 to the BCLR bit in the associated port control register through software. With these settings, the USBFS does not detect a BRDY interrupt for the transmitting pipe.

The PIPE_nBRDY interrupt status of a pipe can be set to 0 by writing 0 to the associated BRDYSTS.PIPE_nBRDY bit through software. In this case, the other PIPE_nBRDY bit should be set to 1.

In this mode, do not change the PIPECFG.BFRE bit setting until all data for a single transfer is processed. When it is necessary to change the PIPECFG.BFRE bit before completion of processing, all FIFO buffers for the pipe must be cleared using the PIPE_nCTR.ACLR bit.

(3) When SOFCFG.BRDYM = 1 and PIPECFG.BFRE = 0

With these settings, the BRDYSTS.PIPE_nBRDY values are linked to the BSTS bit setting for each pipe. In other words, the BRDY interrupt status bits (PIPE_nBRDY) are set to 1 or 0 by the USB depending on the FIFO buffer status.

(a) For transmitting pipes

The BRDY interrupt status bits are set to 1 when the FIFO buffer is ready for write access, and are set to 0 when it is not ready. The BRDY interrupt is not generated for the DCP in the transmitting direction even when it is ready for write access.

(b) For receiving pipes

The BRDY interrupt status bits are set to 1 when the FIFO buffer is ready for read access, and are set to 0 when all data has been read (not ready for read access).

When a zero-length packet is received while the FIFO buffer is empty, the associated bit is set to 1 and the BRDY interrupt is continuously generated until software writes 1 to BCLR. With this setting, the PIPE_nBRDY bit cannot be set to 0 by software. When the SOFCFG.BRDYM bit is set to 1, set the PIPECFG.BFRE bit for all pipes to 0.

Figure 27.12 shows the timing of BRDY interrupt generation.

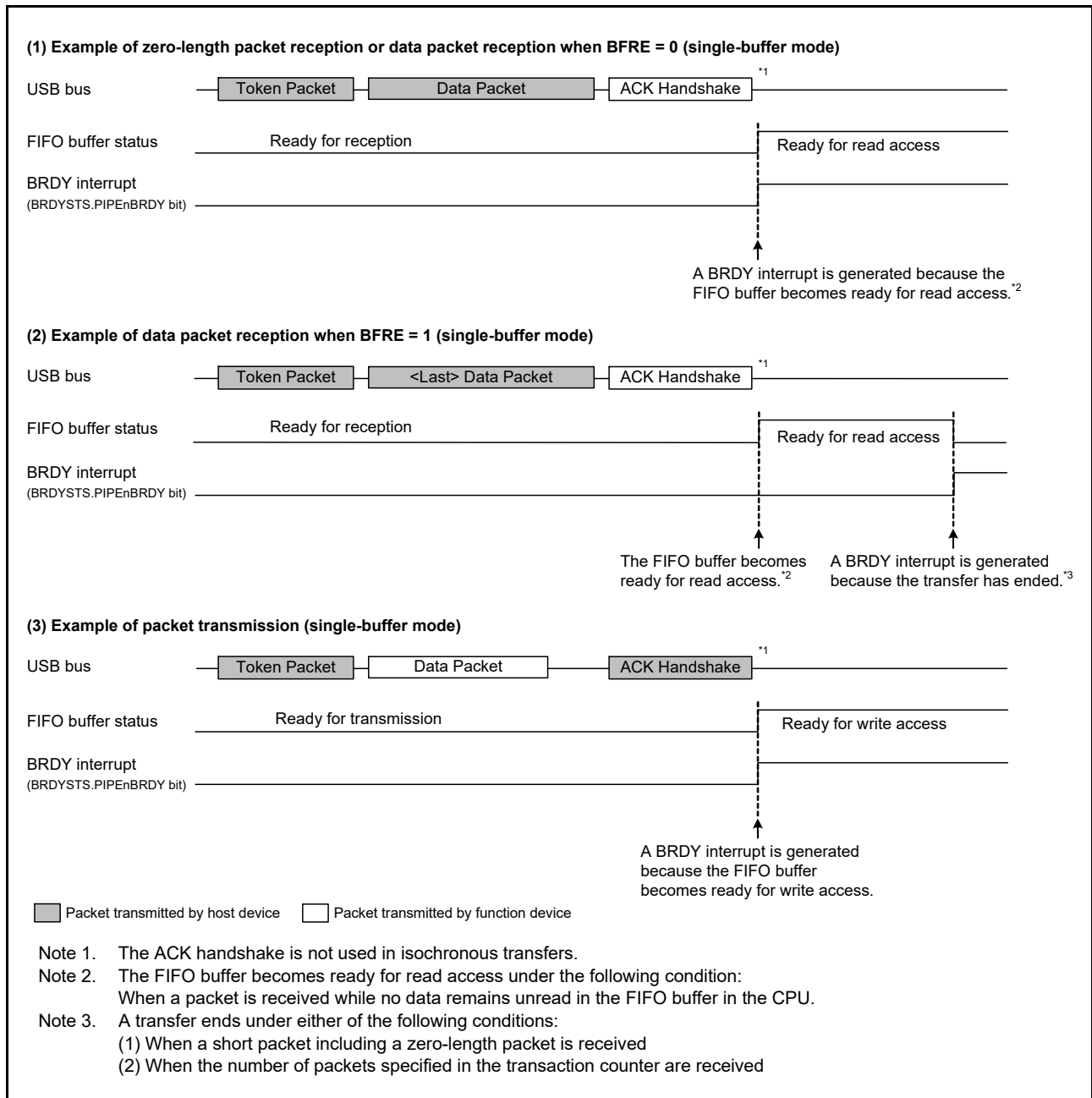


Figure 27.12 Timing of BRDY interrupt generation

The condition for clearing the INTSTS0.BRDY bit depends on the SOFCFG.BRDYM bit setting as shown in Table 27.15.

Table 27.15 Condition for clearing BRDY bit

| BRDYM bit | Condition for clearing BRDY bit |
|-----------|---------------------------------------------------|
| 0 | When all bits in BRDYSTS are set to 0 by software |
| 1 | When the BSTS bits for all pipes become 0 |

27.3.3.2 NRDY interrupt

On generating an internal NRDY interrupt request for the pipe whose PID bits are set to BUF by software, the USBFS sets the associated PIPE_nNRDY bit in NRDYSTS to 1. If the associated bit in NRDYENB is set to 1 by software, the USBFS sets the INTSTS0.NRDY bit to 1 and generates a USBFS interrupt.

This section describes the conditions in which the USBFS generates the internal NRDY interrupt request for a given pipe.

The internal NRDY interrupt request is not generated during setup transaction execution in host controller mode. During setup transactions in host controller mode, the SACK or SIGN interrupt is detected.

The internal NRDY interrupt request is not generated during status stage execution of the control transfer in device controller mode.

(1) In host controller mode

(a) For transmitting pipes

On any of the following conditions, the USBFS detects an NRDY interrupt:

- For isochronous transfer pipes, when the time to issue an OUT token comes while there is no data to be transmitted in the FIFO buffer. In this case, the USBFS transmits a zero-length packet following the OUT token and sets the associated NRDYSTS.PIPE_nNRDY bit and the FRMNUM.OVRN bit to 1.
- During communications other than setup transactions on pipes not used for isochronous transfers, when any combination of the following two cases occur three consecutive times:
 - No response is returned from the peripheral device (when timeout is detected before detection of the handshake packet from the peripheral device).
 - An error is detected in the packet from the peripheral device. In this case, the USBFS sets the associated PIPE_nNRDY bit to 1 and changes the associated PID[1:0] setting for the pipe to NAK.
- During communications other than setup transactions, when the STALL handshake is received from the peripheral device. In this case, the USBFS sets the associated PIPE_nNRDY bit to 1 and changes the PID[1:0] setting for the associated pipe to STALL (11b).

(b) For receiving pipes

- For isochronous transfer pipes, when the time to issue an IN token comes but there is no space available in the FIFO buffer. The USBFS discards the received data for the IN token and sets the PIPE_nNRDY bit associated with the pipe and the OVRN bit to 1. When a packet error is detected in the received data for the IN token, the USBFS also sets the FRMNUM.CRCE bit to 1.
- For non-isochronous transfer pipes, when any combination of the following two cases occur three consecutive times:
 - No response is returned from the peripheral device for the IN token issued by the USBFS (when timeout is detected before detection of the DATA packet from the peripheral device).
 - An error is detected in the packet from the peripheral device. The USBFS sets the associated PIPE_nNRDY bit to 1 and changes the associated PID[1:0] setting for the pipe to NAK.
- For isochronous transfer pipes, when no response is returned from the peripheral device for the IN token (when timeout is detected before detection of the DATA packet from the peripheral device) or an error is detected in the packet from the peripheral device. In this case, the USBFS sets the PIPE_nNRDY bit associated with the pipe to 1. The PID[1:0] setting for the pipe is not changed.
- For isochronous transfer pipes, when a CRC error or a bit stuffing error is detected in the received data packet. The USBFS sets the PIPE_nNRDY bit associated with the pipe and the CRCE bit to 1.
- When the STALL handshake is received. The USBFS sets the PIPE_nNRDY bit associated with the pipe to 1 and changes the PID[1:0] setting for the associated pipe to STALL.

(2) In device controller mode

(a) For transmitting pipes

- When an IN token is received while there is no data to be transmitted in the FIFO buffer. The USBFS generates a NRDY interrupt request on reception of the IN token and sets the NRDYSTS.PIPE_nNRDY bit to 1. For an isochronous transfer pipe in which an interrupt is generated, the USBFS transmits a zero-length packet and sets the FRMNUM.OVRN bit to 1.

(b) For receiving pipes

- When an OUT token is received but there is no space available in the FIFO buffer. For an isochronous transfer pipe in which an interrupt is generated, the USBFS generates a NRDY interrupt request on reception of the OUT token and sets the PIPE_nNRDY bit to 1 and OVRN bit to 1. For a non-isochronous transfer pipe in which an interrupt is generated, the USBFS generates a NRDY interrupt request when a NAK handshake is transferred after the data following the OUT token is received, and sets the PIPE_nNRDY bit to 1. The NRDY interrupt request is not generated during retransmission because of a DATA-PID mismatch. In addition, the NRDY interrupt request is not generated if an error occurs in the DATA packet.
- For isochronous transfer pipes, when a token is not received successfully within an interval frame. The USBFS generates a NRDY interrupt request when the SOF is received, and sets the PIPE_nNRDY bit to 1.

Figure 27.13 shows the timing of NRDY interrupt generation when the device controller is selected.

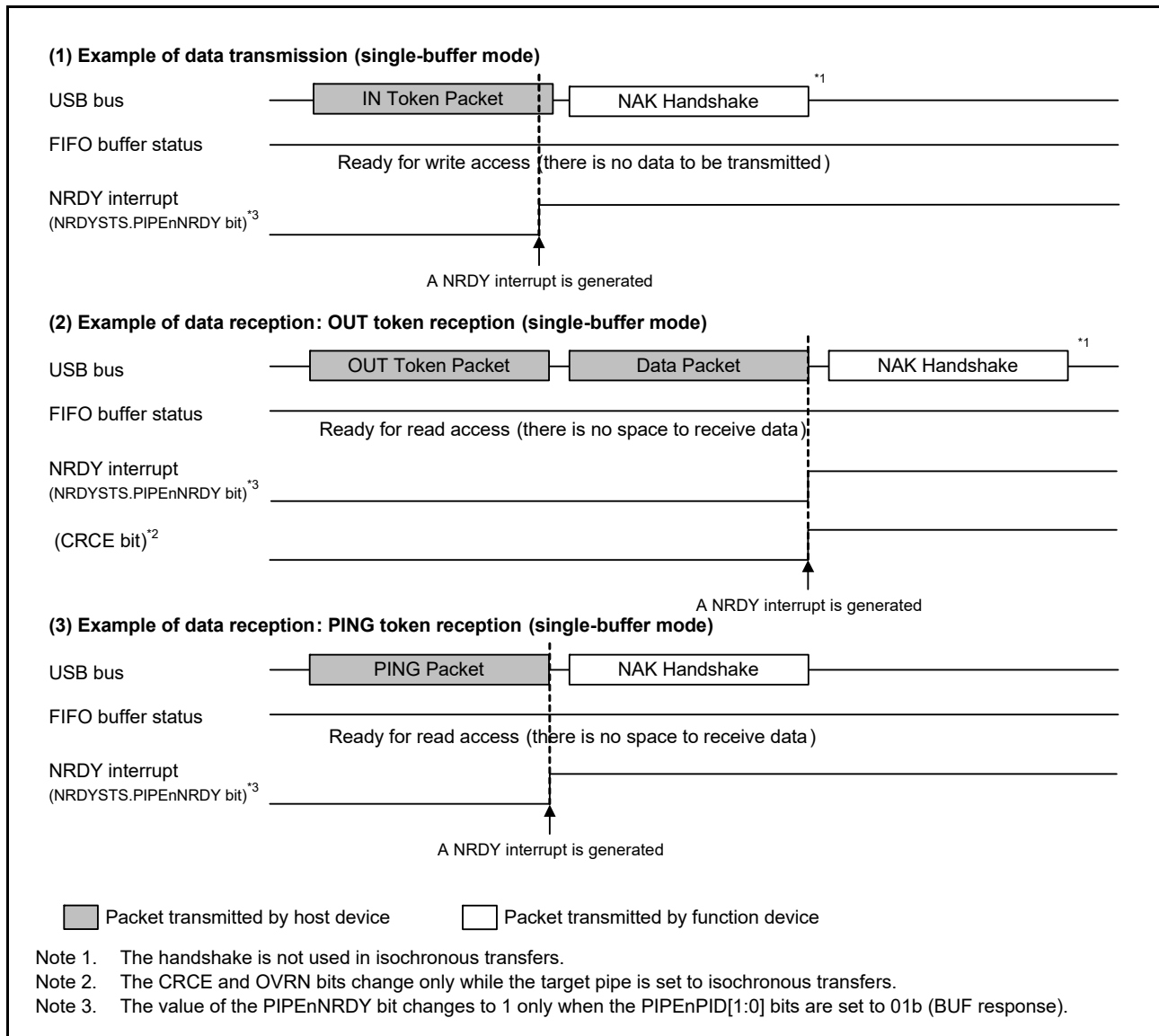


Figure 27.13 Timing of NRDY interrupt generation in device controller mode

27.3.3.3 BEMP interrupt

On detecting a BEMP interrupt for the pipe whose PID bits are set to BUF by software, the USBFS sets the associated BEMPSTS.PIPEnBEMP bit to 1. If the associated bit in BEMPENB is set to 1 by software, the USBFS sets the INTSTS0.BEMP bit to 1 and generates a USBFS interrupt. This section describes the conditions in which the USBFS generates an internal BEMP interrupt request.

(1) For transmitting pipes

When the FIFO buffer of the associated pipe is empty on completion of transmission, including zero-length packet transmission, and in single buffer mode, an internal BEMP interrupt request is generated simultaneously with the BRDY interrupt for a non-DCP pipe.

The internal BEMP interrupt request is not generated on any of the following conditions:

- When the CPU or DMA/DTC has already started writing data to the FIFO buffer of the CPU on completion of transmitting data from one FIFO buffer in double buffer mode
- When the buffer is cleared (emptied) by a 1 setting to the PIPEnCTR.ACLRM or the BCLR bit in the port control register
- When an IN transfer (zero-length packet transmission) is performed during the control transfer status stage in device controller mode.

(2) For receiving pipes

When a successfully-received data packet size exceeds the specified maximum packet size. The USBFS generates a BEMP interrupt request, sets the associated BEMPSTS.PIPEnBEMP bit to 1, discards the received data, and changes the associated PID[1:0] setting for the pipe to STALL (11b). The USBFS returns no response in host controller mode, and returns STALL response in device controller mode.

The internal BEMP interrupt request is not generated on any of the following conditions:

- When a CRC error or a bit stuffing error is detected in the received data
- When a setup transaction is performed:
 - Writing 0 to the BEMPSTS.PIPEnBEMP bit clears the status
 - Writing 1 to the BEMPSTS.PIPEnBEMP bit has no effect.

Figure 27.14 shows the timing of BEMP interrupt generation in device controller mode.

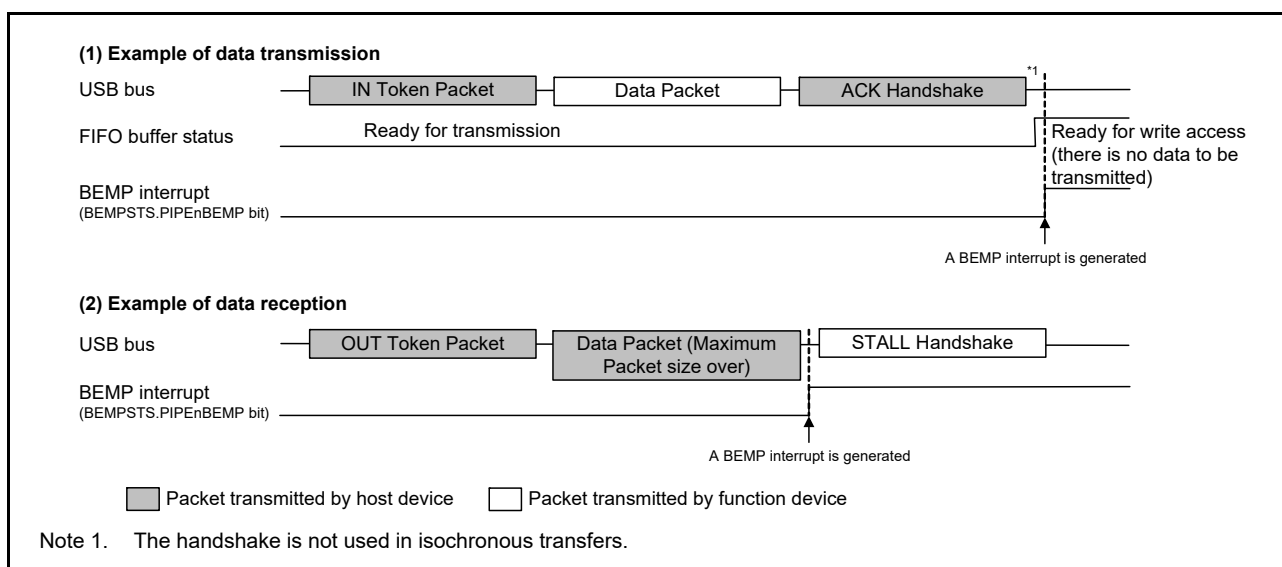


Figure 27.14 Timing of BEMP interrupt generation in device controller mode

27.3.3.4 Device state transition interrupt (device controller mode)

Figure 27.15 shows a diagram of device state transitions in the USBFS. The USBFS controls device states and generates device state transition interrupts. However, recovery from the suspended state (resumed signal detection) is detected by means of the resumed interrupt. Device state transition interrupts can be enabled or disabled independently in INTENB0. Devices whose states have changed can be checked in the INTSTS0.DVSQ[2:0] bits.

When a transition is made to the default state, a device state transition interrupt is generated after a USB bus reset is detected.

The USBFS controls device states, and device state transition interrupts can be generated, only in device controller mode.

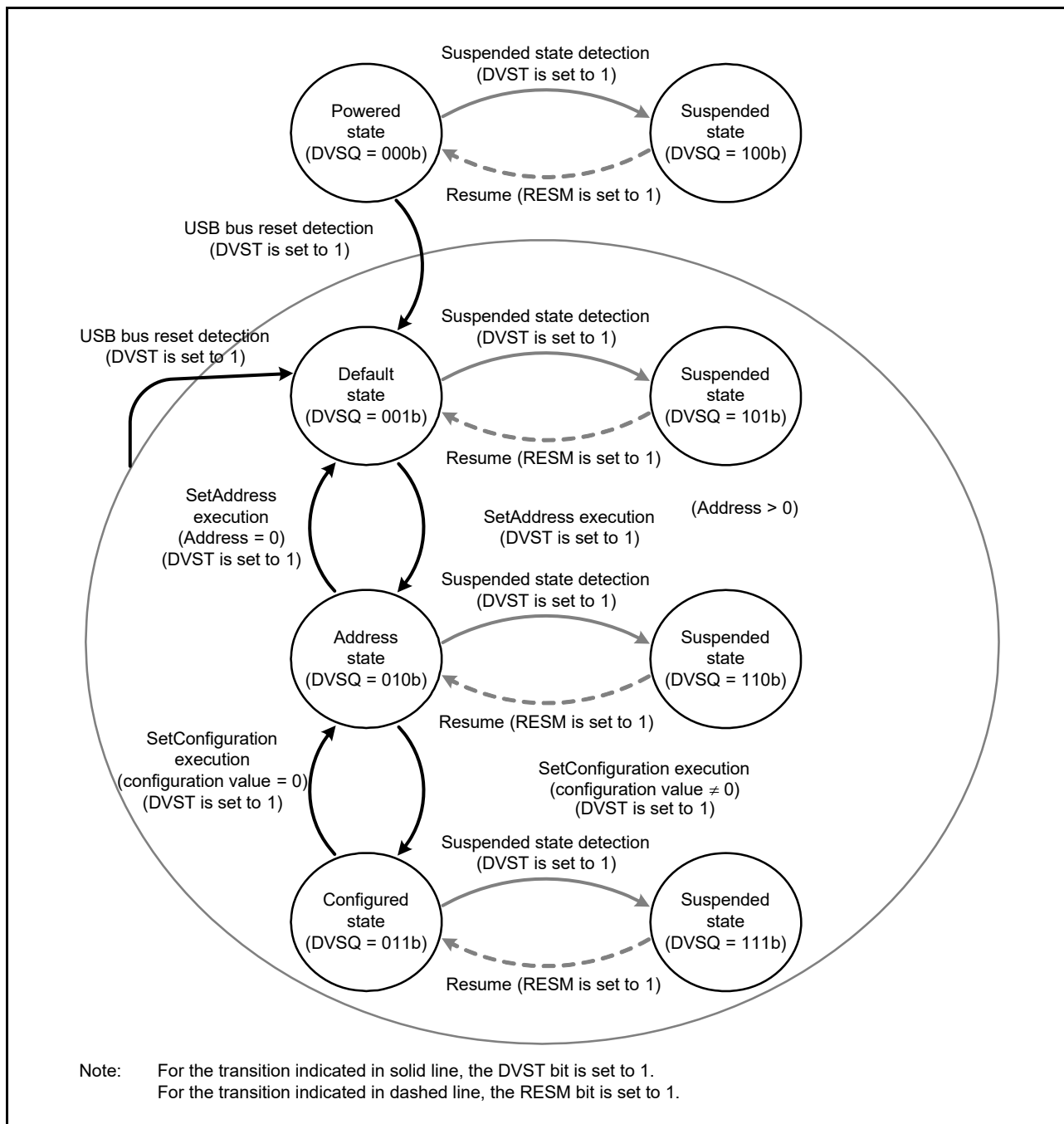


Figure 27.15 Device state transitions

27.3.3.5 Control transfer stage transition interrupt (device controller mode)

Figure 27.16 shows a diagram of the control transfer stage transitions of the USBFS. The USBFS controls the control transfer sequence and generates control transfer stage transition interrupts. Control transfer stage transition interrupts can be enabled or disabled independently in INTENB0. Transfer stages that have transitioned can be checked in the INTSTS0.CTSQ[2:0] bits.

Control transfer stage transition interrupts are generated only in device controller mode. This section describes control transfer sequence errors. When an error occurs, the DCPCTR.PID[1:0] bits are set to 1xb (STALL response).

(1) Control read transfer errors

- An OUT token is received but no data is transferred in response to the IN token at the data stage
- An IN token is received at the status stage
- A data packet with DATAPID = DATA0 is received at the status stage.

(2) Control write transfer errors

- An IN token is received but no ACK is returned in response to the OUT token at the data stage
- A data packet with DATAPID = DATA0 is received as the first data packet at the data stage
- An OUT token is received at the status stage.

(3) Control write no data transfer errors

- An OUT token is received at the status stage.

At the control write transfer data stage, if the received data length exceeds the wLength value of the USB request, it cannot be recognized as a control transfer sequence error. At the control read transfer status stage, packets other than zero-length packets are received by an ACK response and the transfer ends normally.

When a CTRT interrupt occurs in response to a sequence error (INTSTS0.CTRT = 1), the CTSQ[2:0] = 110b value is saved until the CTRT bit is set to 0, clearing the interrupt status. While CTSQ[2:0] = 110b is being saved, no CTRT interrupt for ending the setup stage is generated even when a new USB request is received. The USBFS saves the setup stage completion status, and generates a CTRT interrupt after software clears the interrupt status.

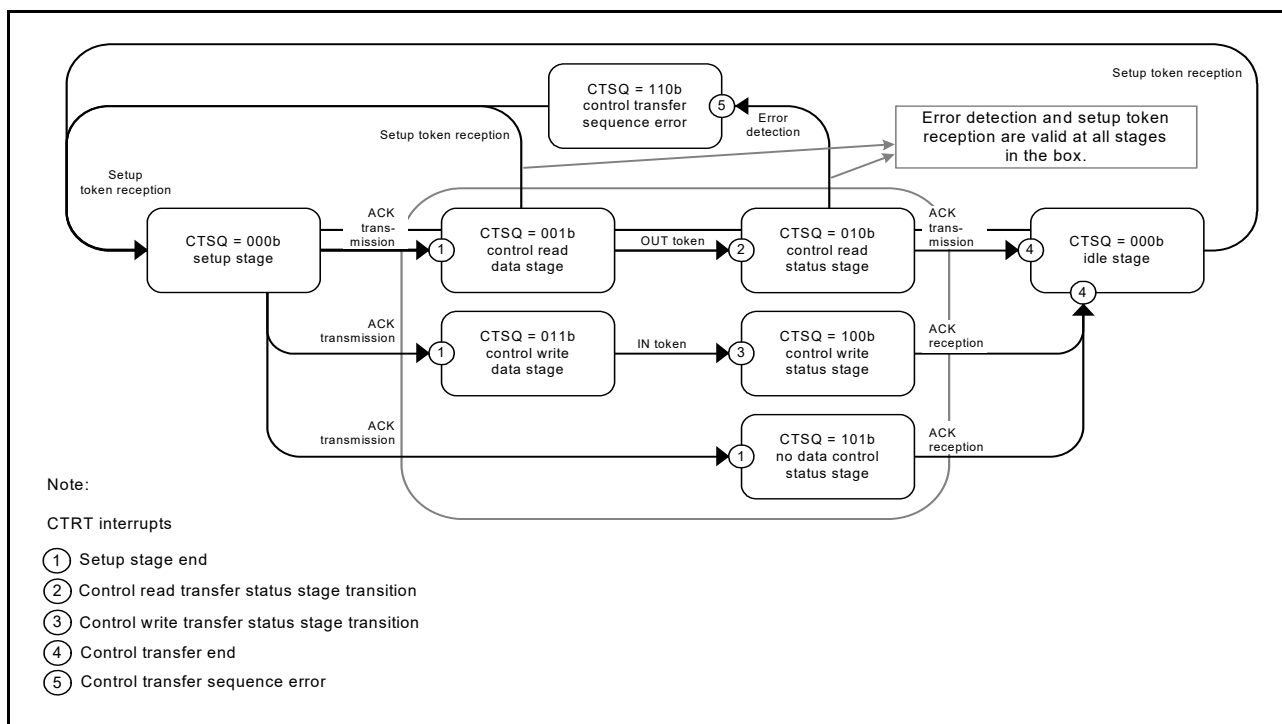


Figure 27.16 Control transfer stage transitions

27.3.3.6 Frame update interrupt

In host controller mode, an interrupt is generated when the frame number is updated.

In device controller mode, an SOFR interrupt is generated when the frame number is updated. The USBFS updates the frame number and generates an SOFR interrupt if it detects a new SOF packet during full-speed operation.

27.3.3.7 VBUS interrupt

When the USB_VBUS pin level changes, a VBUS interrupt is generated. The level of the USB_VBUS pin can be checked with the INTSTS0.VBSTS bit. Whether the host controller is connected or disconnected can be confirmed using the VBUS interrupt. If the system is activated with the host controller connected, the first VBUS interrupt is not generated, because there is no change in the USB_VBUS pin level.

27.3.3.8 Resumed interrupt

In device controller mode, a resumed interrupt is generated when the device state is the suspended state and the USB bus state has changed (from J-state to K-state, or from J-state to SE0). Recovery from the suspended state is detected by means of the resumed interrupt.

In host controller mode, no resumed interrupt is generated. Use the BCHG interrupt to detect a change in the USB bus state.

27.3.3.9 OVRCCR interrupt

An OVRCCR interrupt is generated when the USB_OVRCURA or USB_OVRCURB pin level has changed. The levels of the USB_OVRCURA and USB_OVRCURB pins can be checked in the SYSSTS0.OVCMON[1:0] bits. The external power supply IC can check whether overcurrent is detected using the OVRCCR interrupt.

For OTG connections, the OVRCCR interrupt allows you to check whether a change is detected in the VBUS comparator.

27.3.3.10 BCHG interrupt

A BCHG interrupt is generated when the USB bus state has changed. The BCHG interrupt can be used to detect whether a peripheral device is connected and can also be used to detect a remote wakeup in host controller mode. The BCHG interrupt is generated in both host and device controller modes.

27.3.3.11 DTCH interrupt

A DTCH interrupt is generated when a USB bus disconnect is detected in host controller mode. The USBFS detects bus disconnects in compliance with the USB 2.0 specification.

On interrupt detection, all pipes in which communications are carried out for the relevant port must be terminated by software. The pipes enter the wait state for a bus connection to the port, waiting for an ATTCH interrupt to generate. Regardless of the value set in the associated interrupt enable bit, the USBFS hardware:

- Sets the DVSTCTR0.UACT bit for the port in which the DTCH interrupt is detected to 0
- Puts the port in which the DTCH interrupt occurred into the idle state.

27.3.3.12 SACK interrupt

A SACK interrupt is generated when an ACK response for the transmitted setup packet is received from the peripheral device in host controller mode. The SACK interrupt can be used to confirm that the setup transaction is successfully complete.

27.3.3.13 SIGN interrupt

A SIGN interrupt is generated when an ACK response for the transmitted setup packet is not correctly received from the peripheral device three consecutive times in host controller mode. The SIGN interrupt can be used to detect no ACK response transmitted from the peripheral device or corruption of an ACK packet.

27.3.3.14 ATTCH interrupt

An ATTCH interrupt is generated when J-state or K-state of the full-speed signal level is detected on the USB port for 2.5 μ s in host controller mode. Specifically, an ATTCH interrupt is detected on any of the following conditions:

- When K-state, SE0, or SE1 changes to J-state, and J-state continues 2.5 μ s
- When J-state, SE0, or SE1 changes to K-state, and K-state continues 2.5 μ s.

27.3.3.15 EOFERR interrupt

An EOFERR interrupt occurs when the USBFS detects that communication is not complete at the EOF2 timing defined in the USB 2.0 specification.

On interrupt detection, all pipes in which communications are being carried out for the relevant port must be terminated by software, and the port must be re-enumerated. Regardless of the value set in the associated interrupt enable bit, the USBFS hardware:

- Sets the DVSTCTR0.UACT bit for the port in which the EOFERR interrupt is detected to 0
- Puts the port in which the EOFERR interrupt is generated into the idle state.

27.3.3.16 Portable device detection interrupt

A portable device detection interrupt is generated when the USBFS detects a level change (high to low or low to high) in the PDDET output from the USB-PHY. When a portable device detection interrupt is generated, use software to repeat the reading of the PDDETSTS0 bit until the same value is read three or more times to debounce the signal.

27.3.4 Pipe Control

Table 27.16 lists the pipe settings for the USBFS. USB data transfer is performed through logical pipes that the software associates with endpoints. The USBFS has 10 pipes for data transfer. Set up the pipes based on your system specifications.

Table 27.16 Pipe settings (1 of 2)

| Register name | Bit name | Setting | Remarks |
|---------------------|----------|------------------------------------------------|-------------------------------------------------------------------------------------------------------------------------------------------------|
| DCPCFG PIPECFG | TYPE | Transfer type | Pipes 1 to 9: Settable |
| | BFRE | BRDY interrupt mode | Pipes 1 to 5: Settable |
| | DBLB | Double buffer select | Pipes 1 to 5: Settable |
| | DIR | Transfer direction select | IN or OUT settable |
| | EPNUM | Endpoint number | Pipes 1 to 9: Settable A value other than 0000b must be set when the pipe is used. |
| | SHTNAK | Disabled state select for pipe on transfer end | Pipes 1 and 2: Settable only for bulk transfers Pipes 3 to 5: Settable |
| DCPMAXP PIPEMAXP | DEVSEL | Device select | Referenced only in host controller mode |
| | MXPS | Maximum packet size | Compliant with the USB 2.0 specification |
| PIPEPERI | IFIS | Buffer flush | Pipes 1 and 2: Settable only for isochronous transfers Pipes 3 to 9: Setting disabled |
| | IITV | Interval counter | Pipes 1 and 2: Settable only for isochronous transfers Pipes 3 to 5: Setting disabled Pipes 6 to 9: Settable only in host controller mode |

Table 27.16 Pipe settings (2 of 2)

| Register name | Bit name | Setting | Remarks |
|--------------------|----------|-----------------------------------|----------------------------------------------------------------------------------------------|
| DCPCTR PIPEnCTR | BSTS | Buffer status | For the DCP, receive buffer status and transmit buffer status are switched with the ISEL bit |
| | INBUFM | IN buffer monitor | Available only for pipes 1 to 5 |
| | SUREQ | Setup request | Settable only for the DCP and controlled in host controller mode |
| | SUREQCLR | SUREQ clear | Settable only for the DCP and controlled in host controller mode |
| | ATREPM | Auto response mode | Pipes 1 to 5: Settable only in device controller mode |
| | ACLRM | Auto buffer clear | Pipes 1 to 9: Settable |
| | SQCLR | Sequence clear | Clears the data toggle bit |
| | SQSET | Sequence set | Sets the data toggle bit |
| | SQMON | Sequence monitor | Monitors the data toggle bit |
| | PBUSY | Pipe busy status | - |
| | PID | Response PID | See section 27.3.4.6, Response PID |
| PIPEnTRE | TRENB | Transaction counter enable | Pipes 1 to 5: Settable |
| | TRCLR | Current transaction counter clear | Pipes 1 to 5: Settable |
| PIPEnTRN | TRNCNT | Transaction counter | Pipes 1 to 5: Settable |

27.3.4.1 Pipe control register switching procedures

Certain bits in the pipe control registers can only be changed when USB communication is prohibited (PID = NAK).

Do not change the following registers and bits when USB communication is enabled (PID = BUF):

- Bits in DCPCFG and DCPMAXP
- SQCLR and SQSET bits in DCPCTR
- Bits in PIPECFG, PIPEMAXP, and PIPEPERI
- ATREPM, ACLRM, SQCLR, and SQSET bits in PIPEnCTR
- Bits in PIPEnTRE and PIPEnTRN.

To set these bits when USB communication is enabled (PID = BUF):

1. A request to change the bits in the pipe control register occurs.
2. Set the PID[1:0] bits associated with the pipe to NAK.
3. Wait until the associated PBUSY bit is set to 0.
4. Set the bits in the pipe control register.

Certain bits in the pipe control registers can only be changed when the selected pipe information is not set in the CURPIPE[3:0] bits in CFIFOSEL, D0FIFOSEL, and D1FIFOSEL.

Do not set the following registers when the CURPIPE[3:0] bits are set:

- Bits in DCPCFG and DCPMAXP
- Bits in PIPECFG, PIPEMAXP and PIPEPERI.

To change pipe information, you must set the CURPIPE[3:0] bits in the port select registers to a pipe other than the one to be changed. For the DCP, the buffer must be cleared using the BCLR bit in the Port Control Register after the pipe information is changed.

27.3.4.2 Transfer types

The PIPECFG.TYPE[1:0] bits specify the following transfer types for each pipe:

- DCP: No setting is required (fixed at control transfer)
- Pipes 1 and 2: Set to bulk or isochronous transfer
- Pipes 3 to 5: Set to bulk transfer
- Pipes 6 to 9: Set to interrupt transfer.

27.3.4.3 Endpoint number

The PIPECFG.EPNUM[3:0] bits set the endpoint number for each pipe. The DCP is fixed at endpoint 0. The other pipes can be set from endpoint 1 to 15.

- DCP: No setting is required (fixed at endpoint 0)
- Pipes 1 to 9: Select and set the endpoint numbers from 1 to 15 so that the combination of the PIPECFG.DIR and EPNUM[3:0] bits is unique.

27.3.4.4 Maximum packet size setting

The DCPMAXP.MXPS[6:0] and PIPEMAXP.MXPS[8:0] bits specify the maximum packet size for each pipe. The DCP and pipes 1 to 5 can be set to any of the maximum pipe sizes defined in the USB 2.0 specification. For pipes 6 to 9, the maximum packet size is 64 bytes. Set the maximum packet size as follows before starting a transfer (PID = BUF):

- DCP: Set to 8, 16, 32, or 64
- Pipes 1 to 5: Set to 8, 16, 32, or 64 for bulk transfers
- Pipes 1 and 2: Set between 1 and 256 for isochronous transfers
- Pipes 6 to 9: Set between 1 and 64.

27.3.4.5 Transaction counter for pipes 1 to 5 in the receiving direction

When the specified number of transactions is complete in the data packet receiving direction, the USBFS recognizes that the transfer has ended. Two transaction counters are provided:

- The PIPEnTRN register that specifies the number of transactions to be executed
- The current counter that internally counts the number of executed transactions.

If the PIPECFG.SHTNAK bit is set to 1, when the current counter value matches the specified number of transactions, the associated PIPEnCTR.PID[1:0] bits are set to NAK and the subsequent transfer is disabled. The transactions can be counted again from the beginning by initializing the current counter of the transaction counter function through the PIPEnTRE.TRCLR bit. The data read from PIPEnTRN differs depending on the PIPEnTRE.TRENB setting as follows:

- The TRENB bit = 0: Specified transaction counter value can be read
- The TRENB bit = 1: Current counter value indicating the internally counted number of executed transactions can be read.

The following constraints apply when working with the TRCLR bit:

- If the transactions are counted and PID = BUF, the current counter cannot be cleared
- If there is any data left in the buffer, the current counter cannot be cleared.

27.3.4.6 Response PID

The PID[1:0] bits in DCPCTR and PIPEnCTR set the response PID for each pipe. This section describes the USBFS operation with different response PID settings.

(1) Software response PID settings in host controller mode

Select the response PID to specify the execution of transactions as follows:

- NAK setting: Using pipes is disabled and no transactions are executed
- BUF setting: Transactions are executed based on the FIFO buffer state:
 - OUT direction: An OUT token is issued if the FIFO buffer contains transmit data
 - IN direction: An IN token is issued if the FIFO buffer is not full and can receive data.
- STALL setting: Using pipes is disabled and no transactions are executed.

Note: Use the DCPCTR.SUREQ bit to execute setup transactions for the DCP.

(2) Software response PID settings in device controller mode

Select the response PID to respond to transactions from the host as follows:

- NAK setting: A NAK response is returned to all generated transactions
- BUF setting: A response is returned to transactions based on the FIFO buffer
- STALL setting: A STALL response is returned to all generated transactions.

Note: For setup transactions, an ACK response is always returned, regardless of the PID[1:0] setting, and the USB request is stored in the register.

Sections (3) and (4) describe situations in which the USBFS writes to the PID[1:0] bits because of specific transaction results.

(3) Hardware response PID settings in host controller mode

- NAK setting: PID = NAK is set in the following cases, and issuing of tokens is automatically stopped:
 - When a non-isochronous transfer is performed and an NRDY interrupt is generated (for details, see [section 27.3.3.2, NRDY interrupt](#))
 - If a short packet is received when the PIPECFG.SHTNAK bit is set to 1 for bulk transfers
 - If transaction counting ends when the SHTNAK bit is set to 1 for bulk transfers.
- BUF setting: The USBFS does not write this setting
- STALL setting: PID = STALL is set in the following cases, and issuing of tokens is automatically stopped:
 - When STALL is received in response to a transmitted token
 - When a received data packet exceeds the maximum packet size.

(4) Hardware response PID settings in device controller mode

- NAK setting: PID = NAK is set in the following cases, and a NAK response is returned to transactions:
 - When the setup token is received normally (DCP only)
 - If transaction counting ends or a short packet is received when the PIPECFG.SHTNAK bit is set to 1 for bulk transfers
- BUF setting: There is no BUF writing by the USBFS
- STALL setting: PID = STALL is set in the following cases, and a STALL response is returned to transactions:
 - When a received data packet exceeds the maximum packet size
 - When a control transfer sequence error is detected (DCP only).

27.3.4.7 Data PID sequence bit

The USBFS automatically toggles the sequence bit in the data PID when data is transferred successfully in the control transfer data stage, bulk transfer, and interrupt transfer. The sequence bit of the next data PID to be transmitted can be confirmed with the SQMON bit in DCPCTR and PIPEnCTR. When data is transmitted, the sequence bit toggles on ACK handshake reception. When data is received, the sequence bit toggles on ACK handshake transmission. The SQCLR and SQSET bits in DCPCTR and PIPEnCTR registers can be used to change the data PID sequence bit.

In device controller mode when control transfers are used, the USBFS automatically sets the sequence bit for stage transitions. DATA1 is returned when the setup stage ends. The sequence bit is not referenced and PID = DATA1 is returned in the status stage. Therefore, no software settings are required. However, in host controller mode when control transfers are used, the sequence bit must be set by software for the stage transitions.

For ClearFeature requests for transmission or reception, software should set the data PID sequence bit in both host and device controller modes.

27.3.4.8 Response PID = NAK function

The USBFS provides a function for disabling pipe operation (PID response = NAK) when the final data packet of a transaction is received. The USBFS automatically distinguishes this based on reception of a short packet or the transaction counter. Enable this function by setting the PIPECFG.SHTNAK bit to 1.

When the double buffer mode is used for the FIFO buffer, this function enables reception of data packets in transfer units. If pipe operation is disabled, software must enable the pipe again (PID response = BUF).

The response PID = NAK function can only be used for bulk transfers.

27.3.4.9 Auto response mode

For bulk transfer pipes 1 to 5, when the PIPEnCTR.ATREPM bit is set to 1, a transition is made in auto response mode. During an OUT transfer (PIPECFG.DIR = 0), OUT-NAK mode is invoked, and during an IN transfer (DIR = 1), null auto response mode is invoked.

27.3.4.10 OUT-NAK mode

For bulk OUT transfer pipes, NAK is returned in response to an OUT token, and an NRDY interrupt is output when the PIPEnCTR.ATREPM bit is set to 1. To transition from normal mode to OUT-NAK mode, specify OUT-NAK mode while pipe operation is disabled (PID[1:0] = 00b for NAK response). Next, enable pipe operation (PID[1:0] = 01b for BUF response), for which OUT-NAK mode becomes valid. If an OUT token is received immediately before pipe operation is disabled, the token data is normally received, and an ACK is returned to the host.

To transition from OUT-NAK mode to normal mode, cancel OUT-NAK mode while pipe operation is disabled (NAK). Next, enable pipe operation (BUF). In normal mode, reception of OUT data is enabled.

27.3.4.11 Null auto response mode

For bulk IN transfer pipes, zero-length packets are continuously transmitted when the PIPEnCTR.ATREPM bit is set to 1.

To transition from normal mode to null auto response mode, specify null auto response mode while pipe operation is disabled (response PID = NAK). Next, enable pipe operation (response PID = BUF), for which null auto response mode becomes valid. Before setting null auto response mode, check that PIPEnCTR.INBUFM = 0, because the mode can only be set when the buffer is empty. If the INBUFM bit is 1, empty the buffer using the PIPEnCTR.ACLRM bit. Do not write data from the FIFO port while a transition to null auto response mode is made.

To transition from null auto response mode to normal mode, keep pipe operation disabled (response PID = NAK) for the period of the zero-length packet transmission (about 10 μs) before canceling the null auto response mode. In normal mode, data can be written to the FIFO port so packet transmission to the host is enabled by enabling pipe operation (response PID = BUF).

27.3.5 FIFO Buffer Memory

The USBFS provides a FIFO buffer for data transfers, and it manages the memory area used for each pipe. The FIFO buffer has two states depending on whether the access right is assigned to the system (CPU) or the USBFS (SIE).

(1) Buffer status

Table 27.17 and Table 27.18 show the buffer status in the USBFS. The FIFO buffer status can be confirmed using the DCPCTR.BSTS and PIPEnCTR.INBUFM bits. The transfer direction for the FIFO buffer can be specified in either the PIPECFG.DIR or CFIFOSEL.ISEL bit (when DCP is selected). The INBUFM bit is valid for pipes 0 to 5 in the transmitting direction.

When a transmitting pipe uses double buffering, software can read the BSTS bit to monitor the FIFO buffer status on the CPU and the INBUFM bit to monitor the FIFO buffer status on the SIE. When the BEMP interrupt does not show the buffer empty status because write access to the FIFO port by the CPU or DMA/DTC is slow, software can use the INBUFM bit to confirm the end of transmission.

Table 27.17 Buffer status indicated by BSTS bit

| ISEL or DIR | BSTS | Buffer memory status |
|----------------------------|------|-------------------------------------------------------------------------------------------------------------------------------------------------------------------------------------------------------------------|
| 0 (receiving direction) | 0 | There is no received data, or data is being received. Reading from the FIFO port is disabled. |
| 0 (receiving direction) | 1 | There is received data, or a zero-length packet has been received. Reading from the FIFO port is allowed. Note: When a zero-length packet is received, reading is not possible and the buffer must be cleared. |
| 1 (transmitting direction) | 0 | The transmission is not complete. Writing to the FIFO port is disabled. |
| 1 (transmitting direction) | 1 | The transmission is complete. CPU write is allowed. |

Table 27.18 Buffer status indicated by INBUFM bit

| DIR | INBUFM | Buffer memory status |
|----------------------------|---------|--------------------------------------------------------------------------------|
| 0 (receiving direction) | Invalid | Invalid |
| 1 (transmitting direction) | 0 | The transmission is complete. There is no waiting data to be transmitted. |
| 1 (transmitting direction) | 1 | The FIFO port has written data to the buffer. There is data to be transmitted. |

27.3.6 FIFO Buffer Clearing

Table 27.19 shows the methods for clearing the FIFO buffer. The FIFO buffer can be cleared using the BCLR bit in the port control register, the DnFIFOSEL.DCLRM bit, or the PIPEnCTR.ACLRM bit.

Single or double buffering can be selected for pipes 1 to 5 in the PIPECFG.DBLB bit.

Table 27.19 Buffer clearing methods

| FIFO buffer clearing mode | Clearing FIFO buffer on the CPU | Mode for automatically clearing the FIFO buffer after reading the specified pipe data | Auto buffer clear mode for discarding all received packets |
|---------------------------|---------------------------------|---------------------------------------------------------------------------------------|------------------------------------------------------------|
| Register used | CFIFOCTR DnFIFOCTR | DnFIFOSEL | PIPEnCTR |
| Bit used | BCLR | DCLRM | ACLRM |
| Clearing condition | Cleared by writing 1 | 1: Mode valid 0: Mode invalid. | 1: Mode valid 0: Mode invalid. |

(1) Auto buffer clear mode function

The USBFS discards all received data packets if the PIPEnCTR.ACLRM bit is set to 1. If a correct data packet is received, the ACK response is returned to the host controller. The auto buffer clear mode function can only be set in the FIFO buffer reading direction.

Setting the ACLRM bit set to 1 and then to 0 clears the FIFO buffer of the selected pipe regardless of the access direction. An access cycle of at least 100 ns is required for the internal hardware sequence processing between ACLRM = 1 and ACLRM = 0.

27.3.7 FIFO Port Functions

Table 27.20 shows the settings for the FIFO port functions. In write access, writing data until the maximum packet size is reached automatically enables transmission of the data. To enable transmission before the maximum packet size is reached, set the BVAL flag in the port control register to end writing. To send a zero-length packet, use the BCLR bit to clear the buffer, and then set the BVAL flag to end writing.

In reading, reception of new packets is automatically enabled when all data is read. Data cannot be read when a zero-length packet is received (DTLN[8:0] = 0), so use the BCLR bit to clear the buffer. The length of the receive data can be confirmed in the DTLN[8:0] bits in the port control register.

Table 27.20 FIFO port function settings

| Register name | Bit name | Description |
|--------------------------------------|----------|-------------------------------------------------------------------------------------------------|
| CFIFOSEL, DnFIFOSEL (n = 0, 1) | RCNT | Selects DTLN[8:0] read mode |
| | REW | FIFO buffer rewind (re-read, rewrite) |
| | DCLRM | Automatically clears receive data for a specified pipe after the data is read (only for DnFIFO) |
| | DREQE | Enables DMA/DTC transfers (only for DnFIFO) |
| | MBW | FIFO port access bit width |
| | BIGEND | Selects FIFO port endian |
| | ISEL | FIFO port access direction (only for DCP) |
| | CURPIPE | Selects the current pipe |
| CFIFOCTR, DnFIFOCTR (n = 0, 1) | BVAL | Ends writing to the FIFO memory |
| | BCLR | Clears the FIFO buffer on the CPU |
| | DTLN | Checks the length of received data |

(1) FIFO port selection

Table 27.21 shows the pipes that can be selected with the different FIFO ports. The pipe to be accessed must be selected with the CURPIPE[3:0] bits in the port select register. After the pipe is selected, software must check whether the written value can be read correctly from the CURPIPE[3:0] bits. If the previous pipe number is read, it indicates that the USBFS is modifying the pipe. Next, software checks that the FRDY bit in the port control register is 1.

In addition, software must specify the bus width to be accessed using the MBW bit in the port select register. The FIFO buffer access direction conforms to the PIPECFG.DIR setting. Only in the DCP that the ISEL bit in the port select register determines the direction.

Table 27.21 FIFO port access by pipe

| Pipe | Access method | Port that can be used |
|------------------|----------------|----------------------------------------------------|
| DCP | CPU access | CFIFO port register |
| Pipe 1 to pipe 9 | CPU access | CFIFO port register D0FIFO/D1FIFO port register |
| | DMA/DTC access | D0FIFO/D1FIFO port register |

(2) REW bit

It is possible to temporarily stop access to the pipe currently being accessed, access a different pipe, and then continue processing the first pipe again. Use the REW bit in the port select register for this processing.

If a pipe is selected in the CURPIPE[3:0] bits in the port select register with the REW bit set to 1, the pointer used for reading from and writing to the FIFO buffer is reset, and reading or writing can be carried out from the first byte. If a pipe is selected with 0 set for the REW bit, data can be read and written in continuation from the previous selection, without the pointer being reset. To access the FIFO port, software must check that the FRDY bit in the port control register is 1 after selecting a pipe.

27.3.8 DMA Transfers (D0FIFO and D1FIFO Ports)

(1) Overview of DMA transfers

For pipes 1 to 9, the FIFO port can be accessed using the DMAC. When buffer access for a pipe targeted for DMA transfer is enabled, a DMA transfer request is issued.

Select the unit of transfer to the FIFO port in the DnFIFOSEL.MBW bit, and select the pipe targeted for the DMA transfer in the DnFIFOSEL.CURPIPE[3:0] bits. Do not change the selected pipe during the DMA transfer.

(2) DnFIFO auto clear mode (D0FIFO and D1FIFO port reading direction)

If 1 is set in the DnFIFOSEL.DCLRM bit, the USBFS automatically clears the FIFO buffer of the selected pipe when reading of data from the FIFO buffer is complete.

Table 27.22 shows the packet reception and FIFO buffer clearing processing by software for each of the settings. As shown in the table, the buffer clearing conditions depend on the value set in the PIPECFG.BFRE bit. Using the DnFIFOSEL.DCLRM bit eliminates the need for the buffer to be cleared by software in any situation that requires buffer clearing. This enables DMA transfers without involving software.

The DnFIFO auto clear mode can only be set in the FIFO buffer reading direction.

Table 27.22 Packet reception and FIFO buffer clearing processing by software

| Buffer status when packet is received | Register setting | | | |
|------------------------------------------|----------------------|----------------------|----------------------|----------------------|
| | DCLRM = 0 | | DCLRM = 1 | |
| | BFRE = 0 | BFRE = 1 | BFRE = 0 | BFRE = 1 |
| Buffer full | No clearing required | No clearing required | No clearing required | No clearing required |
| Zero-length packet reception | Clearing required | Clearing required | No clearing required | No clearing required |
| Normal short packet reception | No clearing required | Clearing required | No clearing required | No clearing required |
| Transaction count end | No clearing required | Clearing required | No clearing required | No clearing required |

27.3.9 Control Transfers Using DCP

In the data stage of control transfers, data is transferred using the Default Control Pipe (DCP). The DCP FIFO buffer is a 64-byte single buffer with a fixed area for both control reads and control writes. The FIFO buffer can only be accessed through the CFIFO port.

27.3.9.1 Control transfers in host controller mode

(1) Setup stage

The USBREQ, USBVAL, USBINDX, and USBLENG registers are used to transmit USB requests for setup transactions. Writing the setup packet data to the registers and then writing 1 to the DCPCTR.SUREQ bit transmits the specified data for the setup transaction. On completion of the transaction, the SUREQ bit is set to 0. Do not change these USB request registers while SUREQ = 1.

When an attached function device is detected, software must issue the first setup transaction for the device using this sequence with the DCPMAXP.DEVSEL[3:0] bits cleared to 0 and the DEVADD0.USBSPPD[1:0] bits set appropriately.

When an attached function device is shifted to the address state, software must issue setup transactions using this sequence with the assigned USB address set in the DEVSEL[3:0] bits and the bits in DEVADDn corresponding to the specified USB address set appropriately. For example, when PIPEMAXP.DEVSEL[3:0] = 0010b, specify the appropriate settings in DEVADD2. When PIPEMAXP.DEVSEL[3:0] = 0101b, specify the appropriate settings in DEVADD5.

When the setup transaction data is sent, an interrupt request is generated based on the response from the peripheral device (SIGN or SACK bit in INTSTS1). This interrupt request allows software to check the setup transaction result.

A DATA0 data packet (USB request) for the setup transaction is always transmitted regardless of the status of the DCPCTR.SQMON bit.

(2) Data stage

The data stage is used to transfer data using the DCP FIFO buffer. Before accessing the DCP FIFO buffer, specify the access direction in the CFIFOSEL.ISEL bit. Specify the transfer direction in the DCPCFG.DIR bit.

For the first data packet of the data stage, the data PID must be transferred as DATA1. Set data PID = DATA1 in the DCPCTR.SQSET bit and set the PID bits = BUF. Completion of data transfer is detected using the BRDY or BEMP interrupt.

For control write transfers, when the number of data bytes to be sent is an integer multiple of the maximum packet size, software must send a zero-length packet at the end.

(3) Status stage

The status stage is used for zero-length packet data transfers in the reverse direction of the data stage. As in the data stage, data is transferred using the DCP FIFO buffer. Transactions are executed using the same procedure as the data stage.

Data packets in the status stage must be transmitted and received with the data PID set to DATA1 using the DCPCTR.SQSET bit.

When a zero-length packet is received, check the receive-data length in the CFIFOCTR.DTLN[8:0] bits after a BRDY interrupt is generated, and then clear the FIFO buffer using the BCLR bit.

27.3.9.2 Control transfers in device controller mode

(1) Setup stage

The USBFS sends an ACK response to a normal setup packet for the USBFS. The USBFS operates in the setup stage as follows:

On receiving a new setup packet, the USBFS sets the following bits:

- INTSTS0.VALID bit to 1
- DCPCTR.PID[1:0] bits to NAK
- DCPCTR.CCPL bit to 0.

When the USBFS receives a data packet following a setup packet, it stores the USB request parameters in USBREQ, USBVAL, USBINDEX, and USBLENG.

Before performing the response processing for a control transfer, set the VALID bit to 0. When the VALID bit = 1, PID = BUF cannot be set, and the data stage cannot be terminated.

Using the VALID bit function, the USBFS can suspend the current request processing when receiving a new USB request during a control transfer and return a response to the latest request.

In addition, the USBFS automatically detects the direction bit (bmRequestType bit [8]) and the request data length (wLength) in the received USB request. The USBFS also distinguishes between control read transfers, control write transfers, no-data control transfers, and control stage transitions. For an incorrect sequence, a sequence error occurs in the control transfer stage transition interrupt, and the interrupt is reported to software. For the stage control of the USBFS, see [Figure 27.16](#).

(2) Data stage

Data transfers associated with received USB requests are performed using the DCP. Before accessing the DCP FIFO buffer, specify the access direction with the CFIFOSEL.ISEL bit.

If the transfer data is larger than the size of the DCP FIFO buffer, perform data transfer using the BRDY interrupt for control write transfers and the BEMP interrupt for control read transfers.

(3) Status stage

Control transfers are terminated by setting the DCPCTR.CCPL bit to 1 while the DCPCTR.PID[1:0] bits are set to BUF.

After the specified settings are made, the USBFS automatically executes the status stage according to the data transfer direction determined at the setup stage. The procedure is as follows:

- For control read transfers

The USBFS receives a zero-length packet from the USB host and transmits an ACK response.

- For control write transfers and no-data control transfers
The USBFS transmits a zero-length packet and receives an ACK response from the USB host.

(4) Control transfer auto response function

The USBFS automatically responds to a correct SET_ADDRESS request. If any of the following errors occurs in the SET_ADDRESS request, a response from software is required.

- bmRequestType is not 00h: Any transfer other than a control write transfer
- wIndex is not 00h: Request error
- wLength is not 00h: Any transfer other than a no-data control transfer
- wValue is larger than 7Fh: Request error
- INTSTS0.DVSQ[2:0] are 011b (Configured state): Control transfer of a device state error.

For all requests other than the SET_ADDRESS request, a response is required from the associated software.

27.3.10 Bulk Transfers (Pipes 1 to 5)

The FIFO buffer usage (single or double buffer setting) can be selected for bulk transfers. The USBFS provides the following functions for bulk transfers:

- BRDY interrupt function (PIPECFG.BFRE bit), see [section 27.3.3.1, \(2\) When SOFCFG.BRDYM = 0 and PIPECFG.BFRE = 1](#)
- Transaction count function (PIPEnTRE.TRENB, TRCLR, and PIPEnTRN.TRNCNT[15:0] bits), see [section 27.3.4.5, Transaction counter for pipes 1 to 5 in the receiving direction](#)
- Response PID = NAK function (PIPECFG.SHTNAK bit), see [section 27.3.4.8, Response PID = NAK function](#)
- Auto response mode (PIPEnCTR.ATREPM bit), see [section 27.3.4.9, Auto response mode](#).

27.3.11 Interrupt Transfers (Pipes 6 to 9)

In device controller mode, the USBFS performs interrupt transfers based on the timing dictated by the host controller.

In host controller mode, software can set the timing for issuing tokens using the interval counter.

27.3.11.1 Interval counter for interrupt transfers in host controller mode

Specify the transaction interval for interrupt transfers in the PIPEPERI.IITV[2:0] bits. The USBFS issues interrupt transfer tokens based on this interval.

(1) Counter initialization

The USBFS initializes the interval counter under the following conditions:

- Power-on reset
This initializes the IITV[2:0] bits.
- FIFO buffer initialization using the PIPEnCTR.ACLRM bit
This does not initialize the IITV[2:0] bits, but does initialize the count value. Setting the PIPEnCTR.ACLRM bit to 0 starts counting from the value set in IITV[2:0].

The interval counter is not initialized in the following case:

- USB bus reset or USB suspended
The IITV[2:0] bits are not initialized. Setting 1 to the DVSTCTR0.UACT bit starts counting from the value saved before entering the USB bus reset state or USB suspended state.

(2) Operation when tokens cannot be transmitted or received even on token generation

No token is generated in the following cases even at token generation time. The USBFS tries to execute the transaction in the next interval:

- When the PID is set to NAK or STALL
- When the FIFO buffer is full at token transmit time in the receiving (IN) direction
- When there is no data to be transmitted in the FIFO buffer at token transmit time in the transmitting (OUT) direction.

27.3.12 Isochronous Transfers (Pipes 1 and 2)

The USBFS provides the following functions for isochronous transfers:

- Notification of isochronous transfer error
- Interval counter specified in the PIPEPERI.IITV[2:0] bits
- Isochronous IN transfer data setup control (IDLY function)
- Isochronous IN transfer buffer flush function specified in the PIPEPERI.IFIS bit.

27.3.12.1 Error detection in isochronous transfers

The USBFS provides a function for detecting the errors described in this section, so that when errors occur in isochronous transfers, they can be controlled by software. [Table 27.23](#) and [Table 27.24](#) show the priority order for errors detected by the USBFS and the associated interrupts.

(a) PID errors

- The PID value of the received packet is invalid.

(b) CRC errors and bit stuffing errors

- A CRC error is found in a received packet or the bit stuffing is invalid.

(c) Maximum packet size exceeded

- The data size of the received packet exceeds the specified maximum packet size.

(d) Overrun and underrun errors

In host controller mode:

- The FIFO buffer is full at token transmit time in the IN (receiving) direction
- There is no data to be sent in the FIFO buffer at token transmit time in the OUT (transmitting) direction.

In device controller mode:

- There is no data to be sent in the FIFO buffer at token receive time in the IN (transmitting) direction
- The FIFO buffer is full at token receive time in the OUT (receiving) direction.

(e) Interval errors

In device controller mode, the following cases are treated as an interval error:

- Failure to receive an IN token in the interval frame during an isochronous IN transfer
- Failure to receive an OUT token in the interval frame during an isochronous OUT transfer.

Table 27.23 Error detection for token transmission and reception

| Detection priority | Error | Generated interrupt and status |
|--------------------|------------------------------------|------------------------------------------------------------------------------------------------------|
| 1 | PID errors | No interrupts are generated in either host or device controller mode (ignored as a corrupted packet) |
| 2 | CRC errors and bit stuffing errors | No interrupts are generated in either host or device controller mode (ignored as a corrupted packet) |

Table 27.23 Error detection for token transmission and reception

| Detection priority | Error | Generated interrupt and status |
|--------------------|-----------------------------|---------------------------------------------------------------------------------------------------------------------------------------------------------------------------------------------------------------------------------------------------------------|
| 3 | Overrun and underrun errors | An NRDY interrupt is generated to set the FRMNUM.OVRN bit to 1 in both host and device controller modes. In device controller mode, a zero-length packet is transmitted in response to an IN token. No data packets are received in response to OUT token. |
| 4 | Interval errors | An NRDY interrupt is generated in device controller mode. No interrupt is generated in host controller mode. |

Table 27.24 Error detection for data packet reception

| Detection priority | Error | Generated interrupt and status |
|--------------------|-------------------------------------|-----------------------------------------------------------------------------------------------------------|
| 1 | PID errors | No interrupts are generated (ignored as a corrupted packet) |
| 2 | CRC errors and bit stuffing errors | An NRDY interrupt is generated and the FRMNUM.CRCE bit sets to 1 in both host and device controller modes |
| 3 | Maximum packet size exceeded errors | A BEMP interrupt is generated and the PID[1:0] bits set to STALL in both host and device controller modes |

27.3.12.2 DATA-PID

In device controller mode, the USBFS responds to a received PID as follows:

(1) IN Direction

- DATA0: Transmitted as data packet PID
- DATA1: Not transmitted
- DATA2: Not transmitted
- mData: Not transmitted.

(2) OUT Direction

- DATA0: Received normally as data packet PID
- DATA1: Received normally as data packet PID
- DATA2: Packets ignored
- mData: Packets ignored.

27.3.12.3 Interval counter

The isochronous transfer interval can be set in the PIPEPERI.IITV[2:0] bits. In device controller mode, the interval counter enables the functions as shown in [Table 27.25](#). In host controller mode, the USBFS generates the token issuance timing, and the interval counter operation is the same as that for interrupt transfers.

Table 27.25 Interval counter function in device controller mode

| Transfer direction | Function | Conditions for detection |
|--------------------|------------------------------------------|-------------------------------------------------------------------------------------------------------|
| IN | Flushes transmit buffer | Failure to receive an IN token successfully in the interval frame during an isochronous IN transfer |
| OUT | Notifies that a token not being received | Failure to receive an OUT token successfully in the interval frame during an isochronous OUT transfer |

The interval count is carried out when an SOF is received or for interpolated SOFs, so the isochronism can be maintained even if an SOF is damaged. The frame interval that can be set is the 2^{IITV} frames.

(1) Counter Initialization in Device Controller Mode

The USBFS initializes the interval counter under the following conditions:

- Power-on reset
This initializes the PIPEPERI.IITV[2:0] bits.
- FIFO buffer initialization using the ACLRM bit
This does not initialize the IITV[2:0] bits, but does initialize the count value.

After the interval counter is initialized, the interval count starts under one of the following conditions when a packet is transferred successfully:

- An SOF is received after data is transmitted in response to an IN token when PID = BUF
- An SOF is received after data is received in response to an OUT token when PID = BUF.

The interval counter is not initialized in the following conditions:

- When the PID[1:0] bits are set to NAK or STALL
This does not stop the interval timer. The USBFS attempts the transaction in the next interval.
- When the USB bus is reset or USBFS is suspended
This does not initialize the IITV[2:0] bits. When an SOF is received, the interval counter starts counting from the value set before SOF was received.

(2) Interval counting and transfer control in host controller mode

The USBFS controls the interval between token issuance operations based on the PIPEPERI.IITV[2:0] bit settings. Specifically, the USBFS issues a token for a selected pipe once every 2^{IITV} frames.

The USBFS starts counting the token issuance interval at the frame following the frame in which the PID[1:0] bits are set to BUF by software.

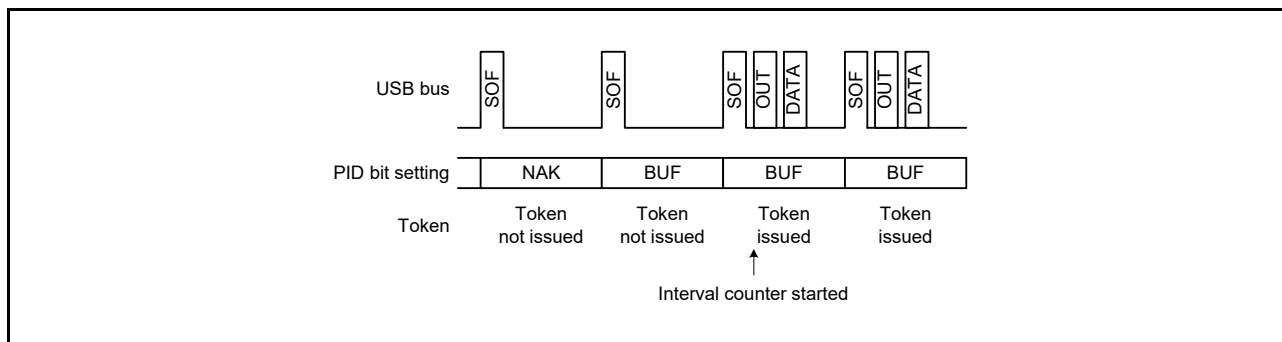


Figure 27.17 Token issuance when IITV = 0

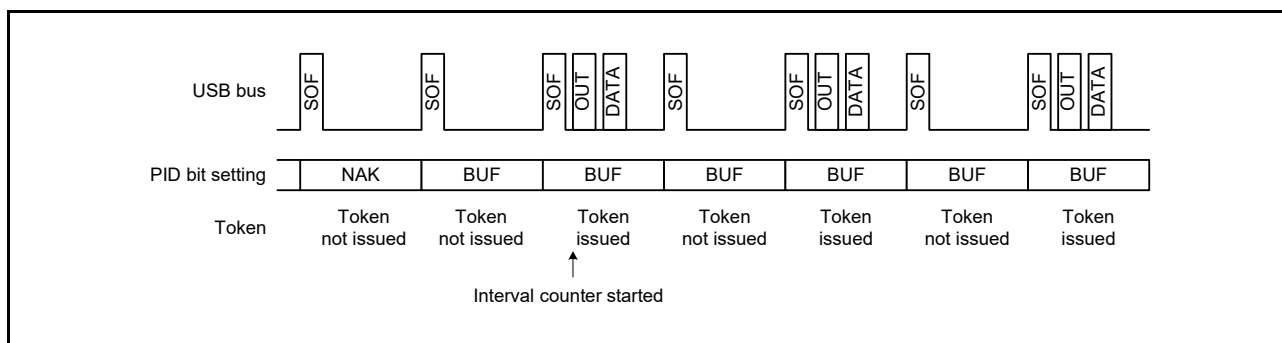


Figure 27.18 Token issuance when IITV = 1

When the selected pipe is set for isochronous transfers, the USB performs the following operation in addition to controlling the token issuance interval. The USB issues a token even when the NRDY interrupt generation condition is satisfied.

(a) When the selected pipe is for isochronous IN transfers

The USBFS generates an NRDY interrupt when the USBFS issues an IN token but does not successfully receive a packet from a peripheral device (no response or packet error).

The USBFS sets the FRMNUM.OVRN bit to 1, generating an NRDY interrupt, when the time to issue an IN token occurs while the USBFS cannot receive data because the FIFO buffer is full, or because the CPU or DMAC/DTC is too slow in reading data from the FIFO buffer.

(b) When the selected pipe is for isochronous OUT transfers

The USBFS sets the OVRN bit to 1, generating an NRDY interrupt and transmitting a zero-length packet, when the time to issue an OUT token occurs while there is no data to be transmitted in the FIFO buffer, or because the CPU or DMAC/DTC is too slow in writing data to the FIFO buffer.

The token issuance interval is reset on any of the following conditions:

- When the USBFS is reset through a reset pin
This initializes the IITV[2:0] bits.
- When the PIPEnCTR.ACLRM bit is set to 1 by software.

(3) Interval counting and transfer control in device controller mode

(a) When the selected pipe is for isochronous OUT transfers

The USBFS generates an NRDY interrupt when it fails to receive a data packet within the interval set by the PIPEPERI.IITV[2:0] bits.

The USBFS also generates an NRDY interrupt when it fails to receive data because of a CRC error or other errors contained in the data packet or because the FIFO buffer is full.

The NRDY interrupt is generated on SOF packet reception. Even if the SOF packet is corrupted, internal interpolation allows the interrupt to be generated when the SOF packet is received. However, when the IITV bits are set to a value other than 0, the USBFS generates an NRDY interrupt on receiving an SOF packet for every interval after interval counting starts.

When the PID[1:0] bits are set to NAK by software after starting the interval timer, the USBFS does not generate an NRDY interrupt on receiving an SOF packet.

The timing for starting interval counting depend on the IITV[2:0] setting as follows:

- When the IITV[2:0] bits = 0
Interval counting starts at the next frame after software changes the PID[1:0] bits of the selected pipe to BUF.

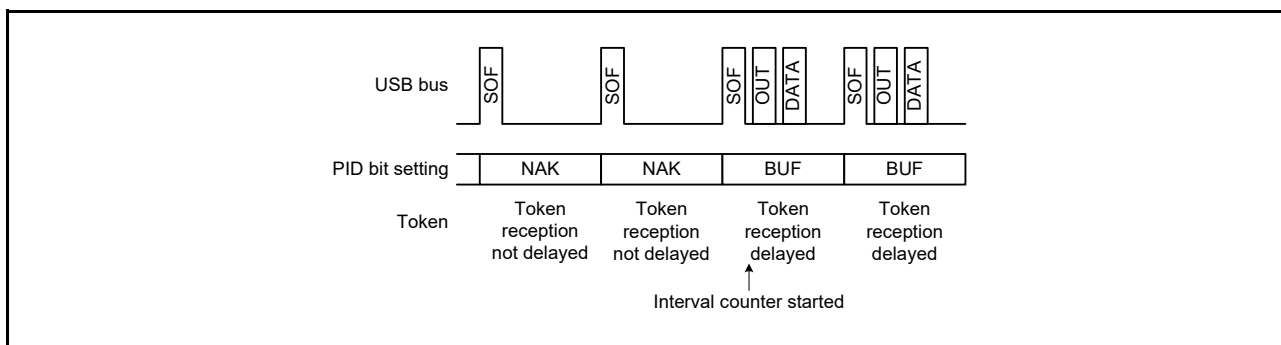


Figure 27.19 Relationship between frames and expected token reception when IITV = 0

- When the IITV ≠ 0: The interval counting starts on completion of successful reception of the first data packet after the PID[1:0] bits for the selected pipe are changed to BUF.

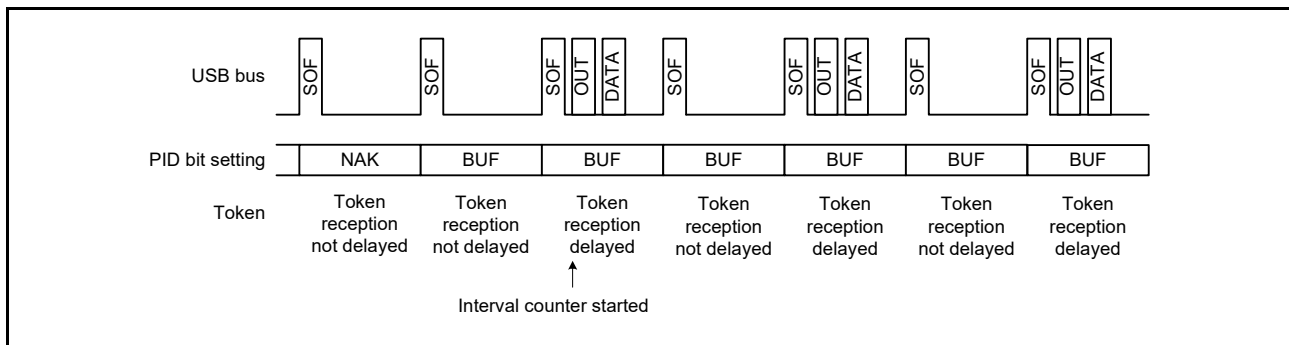


Figure 27.20 Relationship between frames and expected token reception when IITV \neq 0

(b) When the selected pipe is for isochronous IN transfers

The PIPEPERL.IFIS bit must be 1 for this use case. When IFIS = 0, the USBFS transmits a data packet in response to a received IN token regardless of the PIPEPERL.IITV[2:0] setting.

When IFIS is 1 and there is data to be transmitted in the FIFO buffer, the USBFS clears the FIFO buffer when it fails to receive an IN token in the frame at the interval set in the IITV[2:0] bits.

The USBFS also clears the FIFO buffer when it fails to successfully receive an IN token because of a bus error, such as a CRC error, contained in the IN token.

The FIFO buffer is cleared on SOF packet reception. Even if the SOF packet is corrupted, the internal interpolation allows the FIFO buffer to be cleared when the SOF packet is received.

The timing to start interval counting depends on the IITV[2:0] setting, as with OUT transfers.

The interval is counted on any of the following conditions in device controller mode:

- When a hardware reset is applied to the USBFS which also sets the IITV[2:0] bits to 000b
- When the PIPEnCTR.ACLRM bit is set to 1 by software
- When the USBFS detects a USB bus reset.

(4) Transmit data setup for isochronous transfers in device controller mode

With isochronous data transmission using the USBFS in device controller mode, after data is written to the FIFO buffer, a data packet can be transmitted in the first frame after the SOF packet is detected. This isochronous transfer transmit data setup function can identify the frame that started transmission.

When double buffering is used, transmission is only enabled for the buffer where data writing was completed first, even after the data write to both buffers is complete. Accordingly, even if multiple IN tokens are received, only one packet of FIFO buffer data is transmitted.

When the FIFO buffer is ready to transmit data when an IN token is received, the data is transferred and a normal response is returned. However, if the FIFO buffer cannot transmit data, a zero-length packet is transmitted and an underrun error occurs.

Figure 27.21 shows an example transmission using the isochronous transfer transmission data setup function when IITV = 0 (every frame) is set.

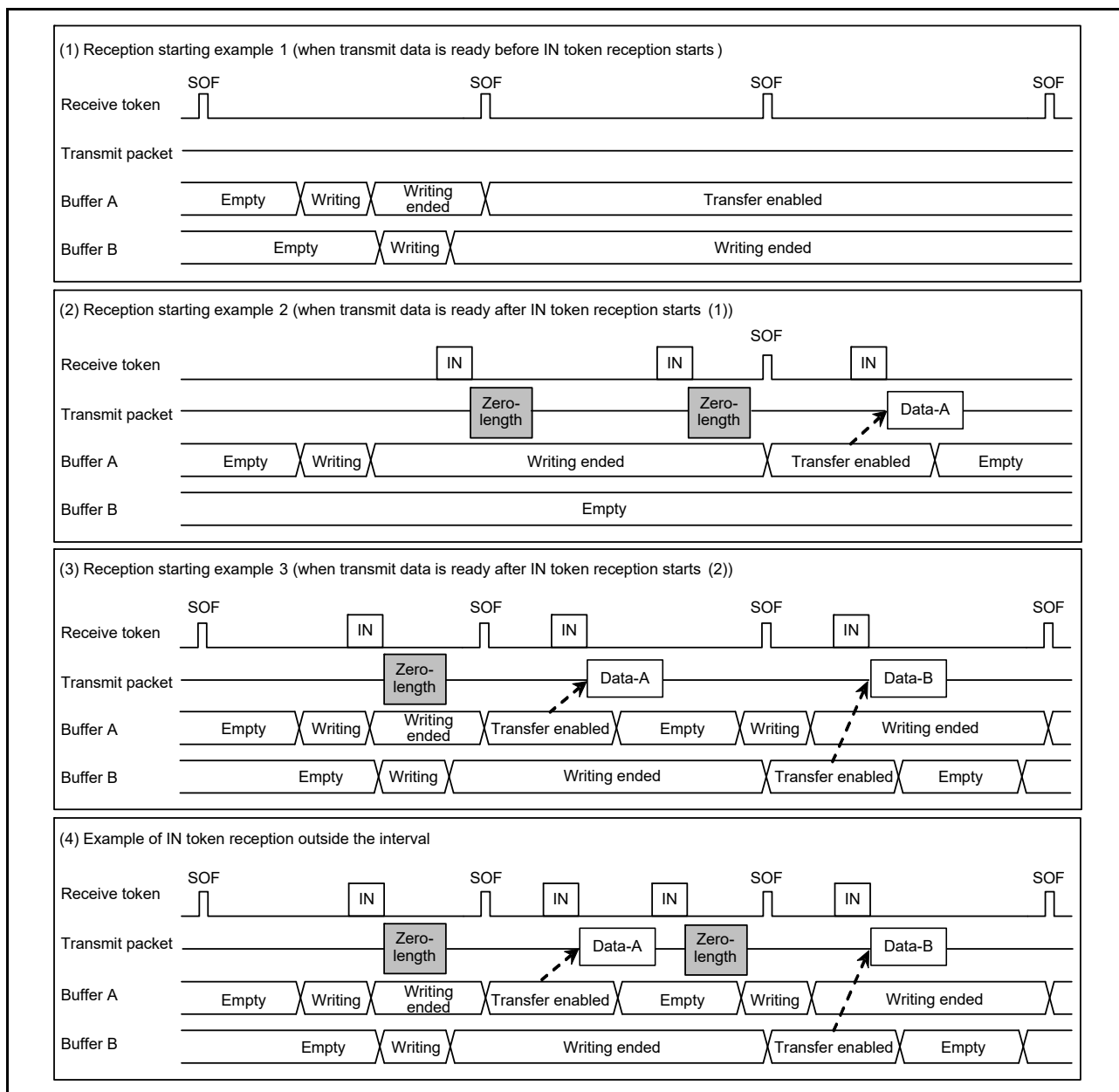


Figure 27.21 Example data setup operation

(5) Transmit buffer flush for isochronous transfers in device controller mode

In device controller mode during isochronous data transmission, if the USBFS receives an SOF packet for the next frame without receiving an IN token in the interval frame, it operates as if the IN token is corrupt and clears the buffer that is enabled for transmission, putting that buffer in the writing enabled state.

When double buffering is used and writing to both buffers is complete, the cleared FIFO buffer is assumed to be the one where the data was transmitted in the interval frame, and transmission is enabled for the FIFO buffer that was not cleared on SOF packet reception.

The timing of the buffer flush function depends on the PIPEPERI.IITV[2:0] setting as follows:

- When IITV = 0
The buffer flush operation starts from the first frame after the pipe is enabled.
- When IITV ≠ 0

The buffer flush operation starts after the first normal transaction.

Figure 27.22 shows an example buffer flush. When an unanticipated token is received before the interval frame, the USBFS sends the write data or a zero-length packet as an underrun error, depending on the data setup status.

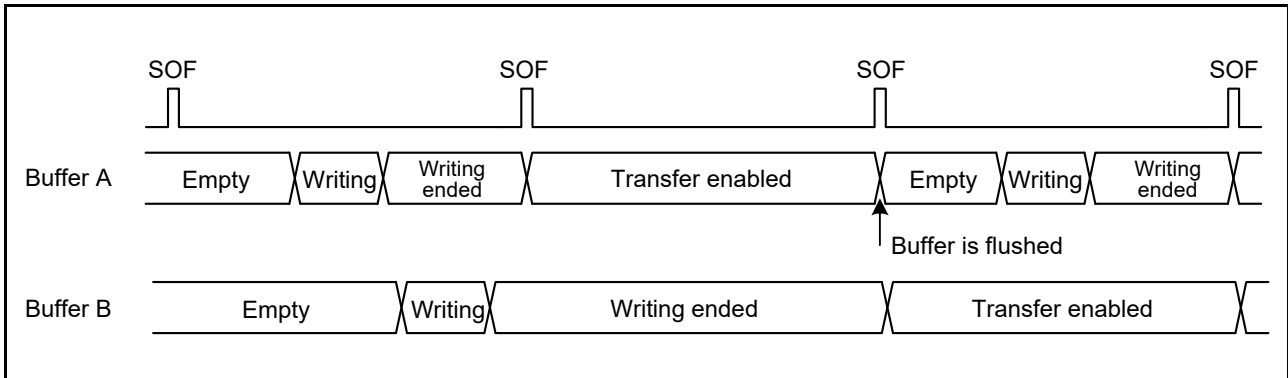


Figure 27.22 Example buffer flush operation

Figure 27.23 shows an example interval error occurrence. There are five types of interval errors, as shown in the figure. An interval error occurs at timing ① in the figure, and the buffer flush function is activated.

If an interval error occurs during an IN transfer, the buffer flush function is activated. If it occurs during an OUT transfer, an NRDY interrupt is generated. Use the FRMNUM.OVRN bit to distinguish between this and NRDY interrupts triggered by received packet errors and overrun errors.

For tokens that are shaded in the figure, responses are returned based on the FIFO buffer status.

- IN direction:
 - If the buffer is ready to transfer data, the data is transferred and a normal response is returned
 - If the buffer is not ready to transfer data, a zero-length packet is transmitted and an underrun error occurs.
- OUT direction:
 - If the buffer is ready to receive data, the data is received and a normal response is returned
 - If the buffer is not ready to receive data, the received data is discarded and an overrun error occurs.

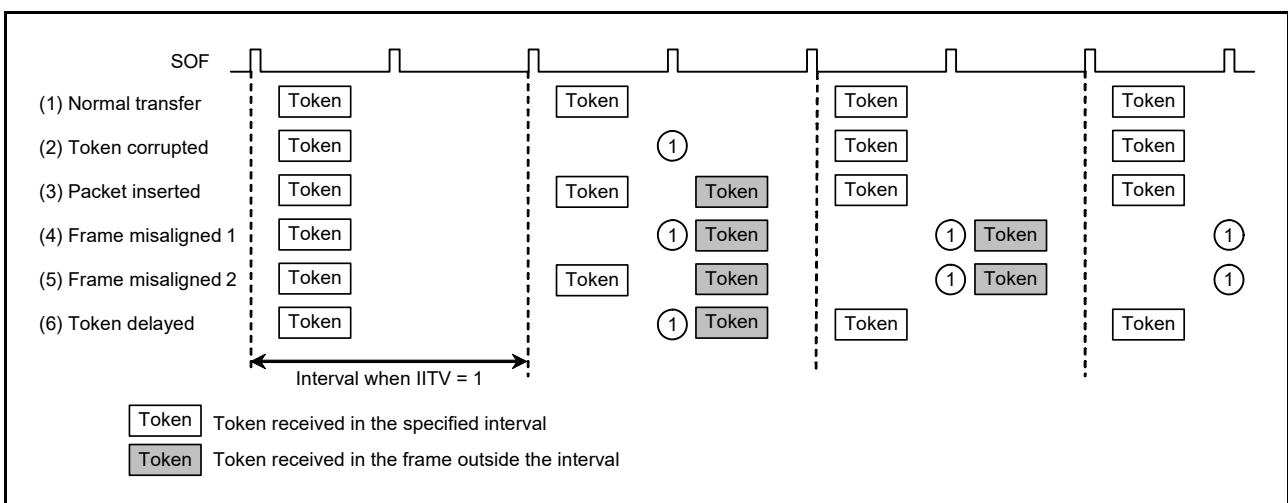


Figure 27.23 Example interval error occurrence when IITV = 1

27.3.13 SOF Interpolation Function

In device controller mode, if packet reception is disabled at intervals of 1 ms because the SOF packet is corrupted or missing, the USBFS interpolates the SOF. SOF interpolation begins when the USBE and SCKE bits in SYSCFG are set to 1 and an SOF packet is received. The interpolation function is initialized under the following conditions:

- MCU reset
- USB bus reset
- Suspended state detection.

The SOF interpolation operates as follows:

- The interpolation function is not activated until an SOF packet is received
- When the first SOF packet is received, interpolation is performed by counting 1 ms on the 48-MHz internal clock
- When the second and subsequent SOF packets are received, interpolation is performed at the previous reception interval
- Interpolation is not performed in the suspended state or on reception of a USB bus reset.

The USBFS supports the following functions controlled by SOF packet reception. These functions operate normally with SOF interpolation if the SOF packet is missing:

- Updating of the frame number
- SOFR interrupt timing
- Isochronous transfer interval count.

If an SOF packet is missing during full-speed operation, the FRMNUM.FRNM[10:0] bits are not updated.

27.3.14 Pipe Schedule

27.3.14.1 Conditions for generating transactions

In host controller mode and when the DVSTCTR0.UACT bit is set to 1, the USBFS generates transactions under the conditions shown in [Table 27.26](#).

Table 27.26 Conditions for generating transactions

| Transaction | Conditions for generation | | | | |
|----------------------------------------------------------|---------------------------|-----|---------|----------------------|-----------|
| | DIR | PID | IITV0 | Buffer state | SUREQ |
| Setup | —*1 | —*1 | —*1 | —*1 | 1 setting |
| Control transfer data stage, status stage, bulk transfer | IN | BUF | Invalid | Receive area exists | —*1 |
| | OUT | BUF | Invalid | Transmit data exists | —*1 |
| Interrupt transfer | IN | BUF | Valid | Receive area exists | —*1 |
| | OUT | BUF | Valid | Transmit data exists | —*1 |
| Isochronous transfer | IN | BUF | Valid | *2 | —*1 |
| | OUT | BUF | Valid | *3 | —*1 |

Note 1. An em dash (—) in the table indicates that the condition is unrelated to the generating of tokens. "Valid" indicates that, for interrupt transfers and isochronous transfers, a transaction is generated only in transfer frames that are based on the interval counter. "Invalid" indicates that a transaction is generated regardless of the interval counter.

Note 2. This indicates that a transaction is generated regardless of whether there is a receive area. If there is no receive area, however, the received data is discarded.

Note 3. This indicates that a transaction is generated regardless of whether there is any data to be transmitted. If there is no data to be transmitted, however, a zero-length packet is transmitted.

27.3.14.2 Transfer schedule

This section describes the transfer scheduling within a frame of the USBFS. After the USBFS sends an SOF, the transfer is performed in the following sequence:

1. Execution of periodic transfers
A pipe is searched for in the order of pipe 1 → pipe 2 → pipe 6 → pipe 7 → pipe 8 → pipe 9, and if there is a pipe for which an isochronous or interrupt transfer transaction can be generated, the transaction is generated.
2. Setup transactions for control transfers
The DCP is checked, and if a setup transaction is possible, it is sent.
3. Execution of bulk transfers, control transfer data stages, and control transfer status stages
A pipe is searched for in the order of DCP → pipe 1 → pipe 2 → pipe 3 → pipe 4 → pipe 5, and if there is a pipe for which a transaction is for a bulk transfer, a control transfer data stage, or a control transfer status stage, the transaction is generated.
When a transaction is generated, processing moves to the next transaction pipe regardless of whether the response from the peripheral device is ACK or NAK. If there is time for transfer within the frame, this step is repeated.

27.3.14.3 Enabling USB communication

Setting the DVSTCTR0.UACT bit to 1 initiates a SOF transmission, and transaction generation is enabled. Setting the UACT bit to 0 stops SOF transmission and the suspended state is invoked. If the UACT setting is changed from 1 to 0, processing stops after the next SOF is sent.

27.3.15 Battery Charging Detection Processing

It is possible to control the processing for data contact detection (D+ line contact check), primary detection (charger detection), and secondary detection (charger verification), which are defined in the Battery Charging specification. This section describes the required operations for an individual function device and a host device.

27.3.15.1 Processing in device controller mode

The following processing is required when operating the USBFS as a portable device for battery charging:

1. Detect when the data lines (D+ and D-) have made contact and start the processing for primary detection.
2. After primary detection starts, wait 40 ms for masking, then check the D- voltage level to confirm the primary detection result.
3. If the charger is detected during primary detection, start secondary detection.
4. After secondary detection starts, wait 40 ms for masking, then check the D+ voltage level to confirm the secondary detection result.

For step 1., after VBUS is detected using the VBINT and VBSTS bits:

1. Wait for 300 to 900 ms, then set the VDPSRCE0 and IDMSINKE0 bits in the USBBCCTRL0 register.
2. Set the IDPSRCE0 bit.
3. After a change from high to low on the D+ line is detected using the LNST[1:0] bits, clear the IDPSRCE0 bit, and set the VDPSRCE0 and IDMSINKE0 bits simultaneously*1.

For step 2., set the VDPSRCE0 and IDMSINKE0 bits and wait 40 ms, then use the CHGDETSTS0 bit to verify the primary detection result*2.

For step 3., if the CHGDETSTS0 bit is set in step 2, verify that the charger is detected, then clear the VDPSRCE0 and IDMSINKE0 bits and set the VDMSRCE0 and IDPSINKE0 bits.

For step 4., set the VDMSRCE0 and IDPSINKE0 bits and wait for 40 ms, then use the PDDDETSTS0 bit to verify the secondary detection result.

Figure 27.24 shows the process flow.

Note 1. The Battery Charging specification describes two implementation methods for data contact detection (D+/D- line contact check). One method is to detect a change to logic low due to the pull-down resistor of the host device when the D+ and D- lines have made contact with the target, while the D+ line is held at logic high by applying a

current of 7 to 13 μ A on the D+ line. The other method is to wait for 300 to 900 ms after VBUS is detected.

Note 2. During primary detection, when the voltage on the D- line is detected to be 0.25 to 0.4 V or above and 0.8 to 2.0 V or below, the target device is recognized as the host device for battery charging, that is, charging downstream port. When using a USB transceiver in which the CHGDETSTS0 bit only indicates that the voltage on the D- line is 0.25 to 0.4 V or above, add the processing to check that the voltage on D- line is 0.8 V to 2.0 V or below using the LNST[1:0] bits, as required.

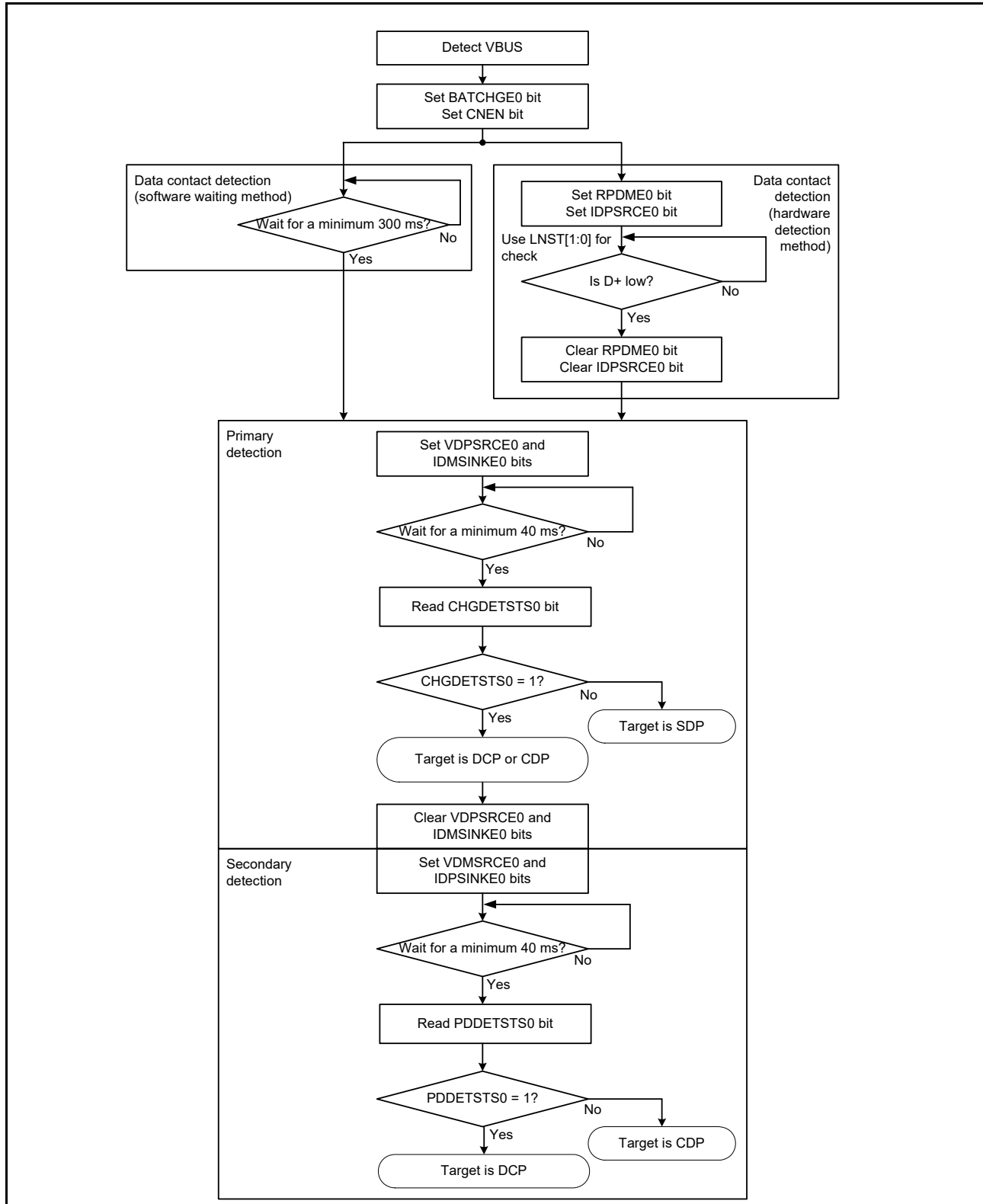


Figure 27.24 Process flow for operating as portable device

27.3.15.2 Processing when host controller is selected

The following processing is required when operating the USBFS as a charging downstream port for battery charging:

1. Start driving the VBUS.
2. Enable the portable device detection circuit.
3. Monitor the portable device detection signal, and start driving the D- line if the detection signal is high.
4. Detect when the portable device detection signal is a low level and stop driving the D- line.

The following processing can also be used in associated with the battery charging specification:

- a. After disconnection is detected, start driving the D- line within 200 ms.
- b. After connection is detected, stop driving the D- line within 10 ms.

The D- line must be driven to allow the portable device to detect the primary detection described in [section 27.3.15.1, Processing in device controller mode](#). Steps 1 to 4 apply when the portable device detection function is provided by hardware. This method is to drive the D- line when the portable device is detected.

Steps a and b apply when the portable device function is not provided or available by hardware. Regardless of detection of the portable device, the D- line is driven in the disconnected state and not in the connected state. In the battery charging specification, either of these methods can be used.

For steps 3 and 4, after a change in the portable device detection signal is detected using the PDDDETINT interrupt, the current signal state can be confirmed by reading the PDDDETSTS0 bit. Steps a and b can be performed only in a software timer.

Figure 27.25 show the process flow for steps 1 to 4 and the process flow for steps a to b, respectively.

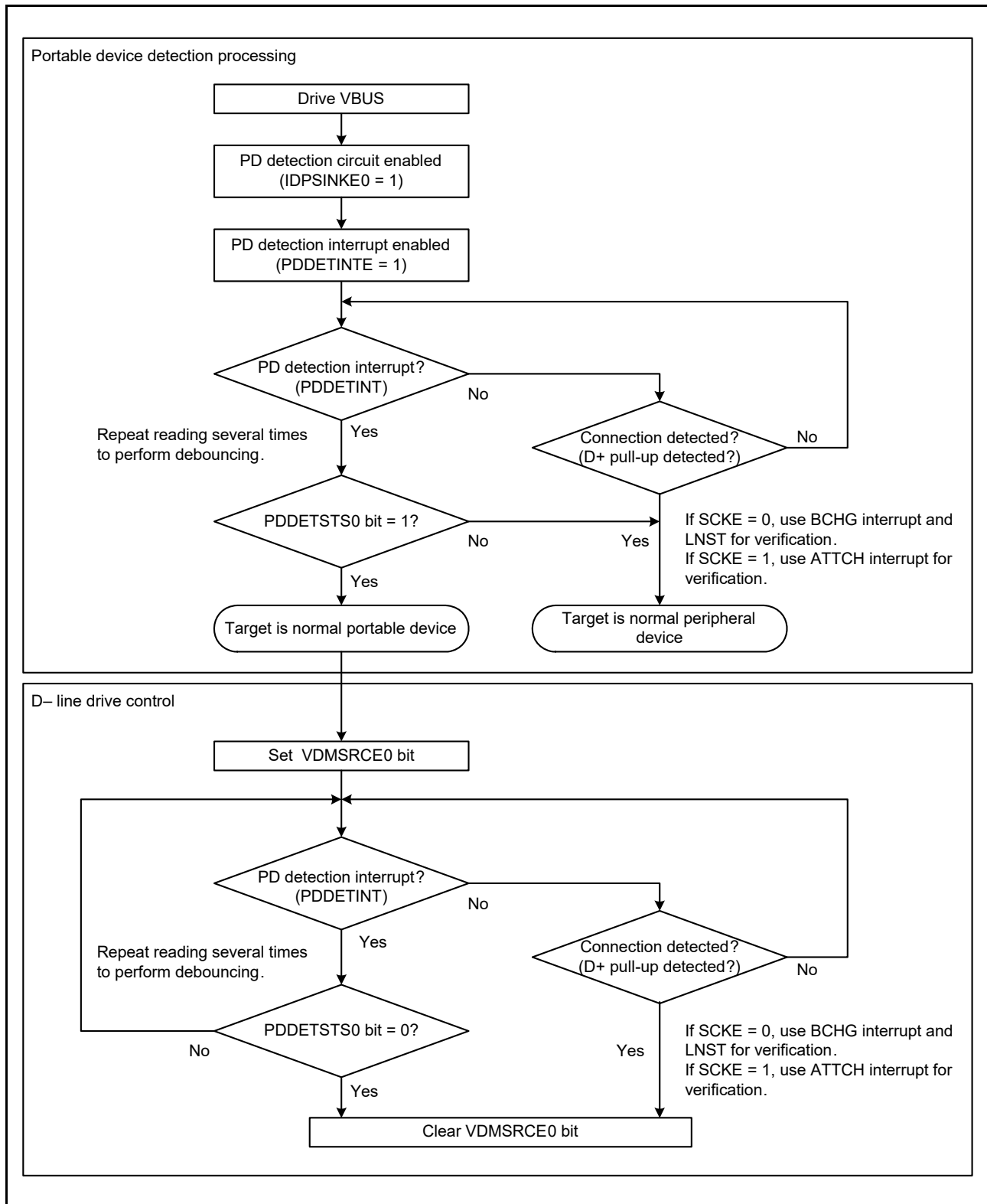


Figure 27.25 Process flow for operating as charging downstream port (steps 1 to 4)

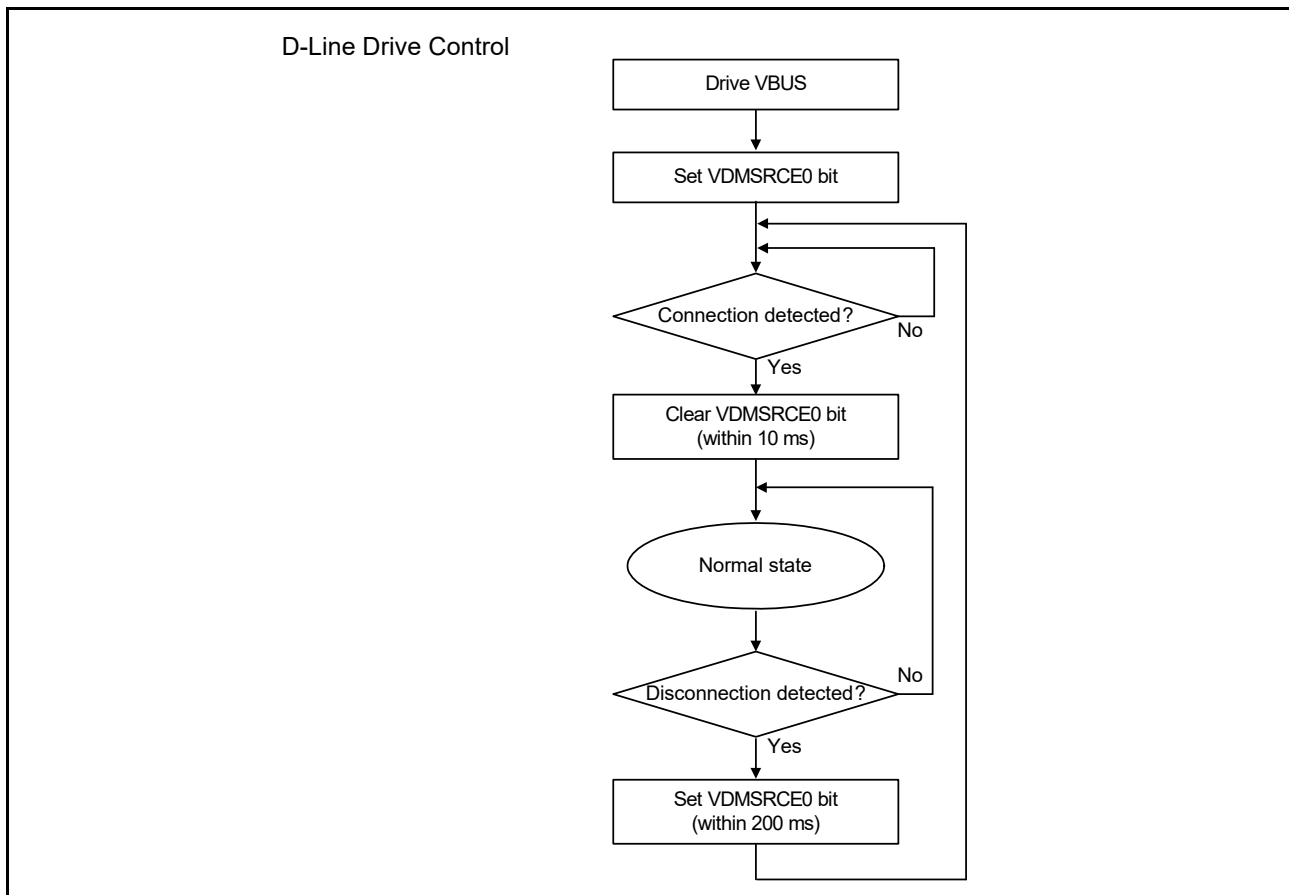


Figure 27.26 Process flow for operating as charging downstream port (steps a to b)

27.4 Usage Notes

27.4.1 Settings for the Module-Stop State

The Module Stop Control Register B (MSTPCRB) can enable or disable USBFS operation. The USBFS is initially stopped after a reset. Releasing the module-stop state enables access to the registers. For details, see [section 10, Low Power Modes](#).

27.4.2 Clearing the Interrupt Status Register on Exiting Software Standby Mode

Because the input buffer is always enabled in Software Standby mode, an unexpected interrupt might occur under the following conditions:

- When the interrupt is enabled in Normal mode
- When the interrupt is disabled in Software Standby mode
- When the input level of the pin that cancels software standby is changed in Software Standby mode.

These conditions might cause the associated interrupt flag in the Interrupt Status Register to set unexpectedly. After the MCU exits the Software Standby mode, the unexpected interrupt might be sent to the interrupt controller. To avoid this, always clear the INTSTS0 and INTSTS1 registers in the canceling sequence.

27.4.3 Clearing the Interrupt Status Register after Setting Up the Port Function

The input buffer is disabled before the PmnPFS.PSEL and PmnPFS.PMR ports are set up, so the internal signal is fixed high or low. The input buffer is enabled after setting the ports so that the external pin state is propagated to the MCU. An unexpected interrupt might occur at this time, causing the VBINT and OVRCCR bits in INTSTS0 and INTSTS1, or other interrupt status flags to set to 1. To avoid a malfunction, always clear the INTSTS0 and INTSTS1 registers after setting up the ports.

28. Serial Communications Interface (SCI)

28.1 Overview

The Serial Communications Interface (SCI) is configurable to five asynchronous and synchronous serial interfaces:

- Asynchronous interfaces (UART and Asynchronous Communications Interface Adapter (ACIA))
- 8-bit, clock synchronous interface
- Simple IIC (master-only)
- Simple SPI
- Smart card interface.

The smart card interface complies with the ISO/IEC 7816-3 standard for electronic signals and transmission protocol. SCI0 and SCI1 have FIFO buffers to enable continuous and full-duplex communication, and the data transfer speed can be configured independently using an on-chip baud rate generator.

[Table 28.1](#) lists the SCI specifications, [Figure 28.1](#) shows the block diagram, and [Table 28.2](#) lists the I/O pins by mode.

Table 28.1 SCI specifications (1 of 2)

| Parameter | Description |
|----------------------------|-------------------------------------------------------------------------------------------------------------------------------------------------------------------------------------------------------------------------|
| Serial communication modes | <ul style="list-style-type: none"> • Asynchronous • Clock synchronous • Smart card interface • Simple IIC • Simple SPI. |
| Transfer speed | Bit rate specifiable with the on-chip baud rate generator |
| Full-duplex communications | Transmitter: Continuous transmission possible using double-buffer structure Receiver: Continuous reception possible using double-buffer structure |
| I/O pins | See Table 28.2 |
| Data transfer | Selectable as LSB-first or MSB-first transfer |
| Interrupt sources | Transmit end, transmit data empty, receive data full, receive error, receive data ready, and address match Completion of generation of a start condition, restart condition, or stop condition (for simple IIC mode) |
| Module-stop function | Module-stop state can be set for each channel |
| Snooze end request | SCI0 address mismatch (SCI0_DCUF) |

Table 28.1 SCI specifications (2 of 2)

| Parameter | Description | |
|------------------------------------------------------------------------------------------|-------------------------------------------|---------------------------------------------------------------------------------------------------------------------------------------------------------------|
| Asynchronous mode | Data length | 7, 8, or 9 bits |
| | Transmission stop bit | 1 or 2 bits |
| | Parity | Even parity, odd parity, or no parity |
| | Receive error detection | Parity, overrun, and framing errors |
| | Hardware flow control | Transmission and reception controllable with CTS _n _RTS _n pins |
| | Transmission/Reception | Selectable to 1-stage register or 16-stage FIFO (only SCI0 and SCI1 support FIFO) |
| | Address match | Interrupt request/event output can be issued when detecting a match between the received data and the value in the compare match register |
| | Address mismatch (SCI0 only) receive data | Snooze end request can be issued when detecting a mismatch between the received data and the value in the compare match register |
| | Start-bit detection | Selectable to low level or falling edge detection |
| | Break detection | Breaks from framing errors detectable by reading from SPTR register |
| | Clock source | Selectable to internal or external clock |
| | Double-speed mode | Baud rate generator double-speed mode is selectable |
| | Multi-processor communications function | Serial communication enabled between multiple processors |
| | Noise cancellation | Digital noise filters included on the signal paths from RXD _n pin inputs |
| Clock synchronous mode | Data length | 8 bits |
| | Receive error detection | Overrun error |
| | Clock source | Selectable to internal clock (master mode) or external clock (slave mode) |
| | Hardware flow control | Transmission and reception controllable with CTS _n _RTS _n pins |
| | Transmission/Reception | Selectable to 1-stage register or 16-stage FIFO (only SCI0 and SCI1 support FIFO) |
| Smart card interface mode | Error processing | Error signal can be automatically transmitted when detecting a parity error during reception |
| | | Data can be automatically retransmitted when receiving an error signal during transmission |
| Simple IIC mode | Data type | Both direct convention and inverse convention are supported |
| | Transfer format | I ² C bus format (MSB-first only) |
| Simple SPI mode | Operating mode | Master (single-master operation only) |
| | Transfer rate | Up to 400 kbps |
| | Noise cancellation | The signal paths from input on the SCL _n and SDAn pins incorporate digital noise filters and provide an adjustable interval for noise cancellation |
| | Detection of errors | Overrun error |
| Bit rate modulation function | Clock source | Selectable to internal clock (master mode) or external clock (slave mode) |
| | SS input pin function | High impedance state can be invoked on the output pins by driving the SS _n pin high |
| | Clock settings | Configurable between four clock phase and clock polarity settings |
| | Event link function | Error reduction through correction of outputs from the on-chip baud rate generator |
| | Event link function | Error event output (SCI _n _ERI* ¹) |
| Receive data full event output (SCI _n _RXI* ¹ , * ²) | | |
| Transmit data empty event output (SCI _n _TXI* ¹ , * ²) | | |
| Transmit end event output (SCI _n _TEI* ¹ , * ²) | | |
| Address match event output (SCI _n _AM* ¹) | | |

Note 1. Channel number (n = 0 to 4, 9)

Note 2. Using this event link function is prohibited when the FIFO operation is selected in asynchronous mode.

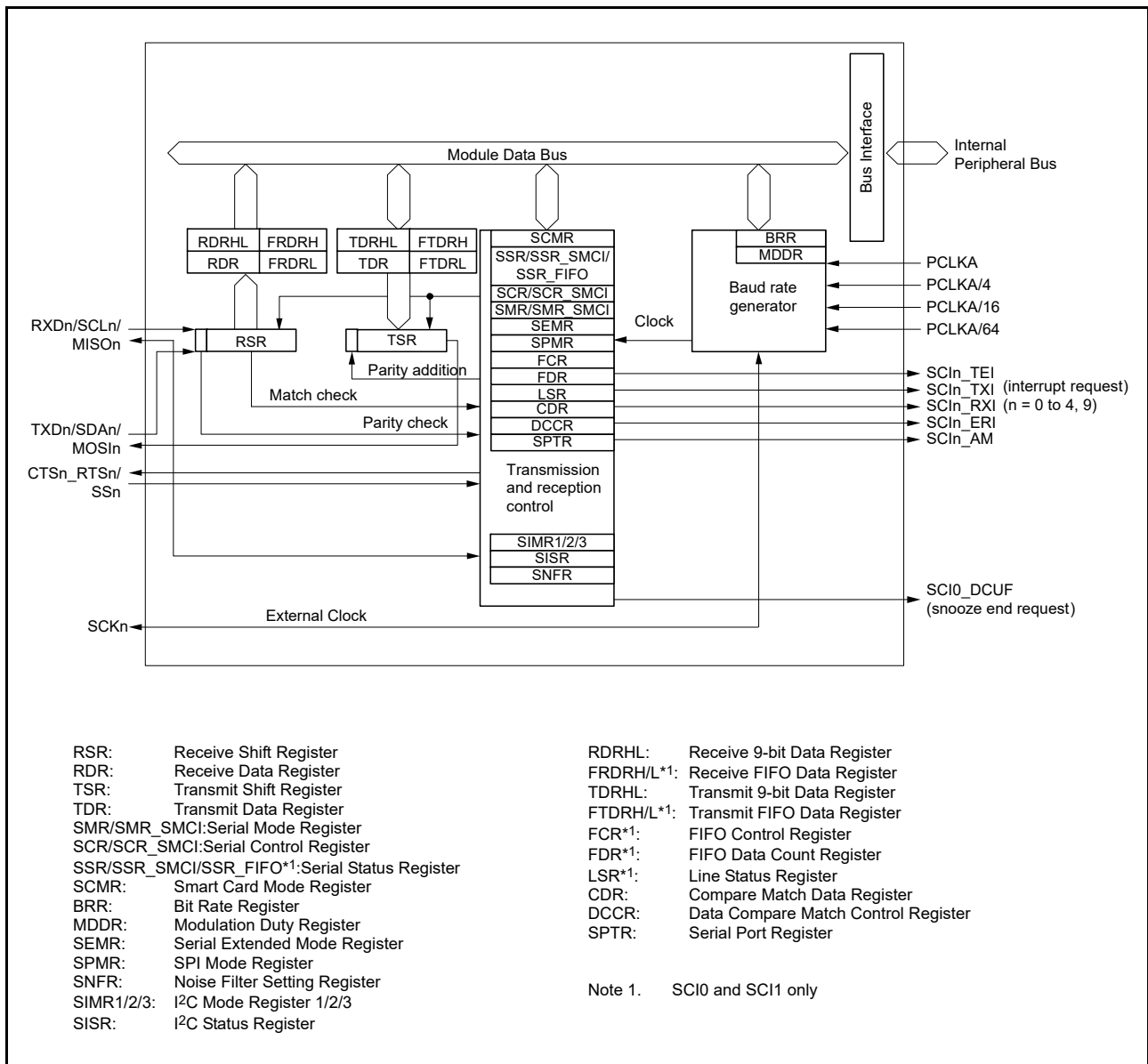


Figure 28.1 SCI block diagram

Table 28.2 SCI I/O pins (1 of 2)

| Channel | Pin name | Input/Output | Function |
|---------|---------------------|--------------|----------------------------------------------------------------------------------------------------------------|
| SCI0 | SCK0 | Input/Output | SCI0 clock input/output |
| | RXD0/SCL0/ MISO0 | Input/Output | SCI0 receive data input SCI0 I ² C clock input/output SCI0 slave transmit data input/output |
| | TXD0/SDA0/ MOSI0 | Input/Output | SCI0 transmit data output SCI0 I ² C data input/output SCI0 master transmit data input/output |
| | SS0/CTS0_RTS0 | Input/Output | SCI0 chip select input, active-low SCI0 transfer start control input/output, active-low |

Table 28.2 SCI I/O pins (2 of 2)

| Channel | Pin name | Input/Output | Function |
|---------|---------------------|--------------|----------------------------------------------------------------------------------------------------------------|
| SCI1 | SCK1 | Input/Output | SCI1 clock input/output |
| | RXD1/SCL1/ MISO1 | Input/Output | SCI1 receive data input SCI1 I ² C clock input/output SCI1 slave transmit data input/output |
| | TXD1/SDA1/ MOSI1 | Input/Output | SCI1 transmit data output SCI1 I ² C data input/output SCI1 master transmit data input/output |
| | SS1/CTS1_RTS1 | Input/Output | SCI1 chip select input, active-low SCI1 transfer start control input/output, active-low |
| SCI2 | SCK2 | Input/Output | SCI2 clock input/output |
| | RXD2/SCL2/ MISO2 | Input/Output | SCI2 receive data input SCI2 I ² C clock input/output SCI2 slave transmit data input/output |
| | TXD2/SDA2/ MOSI2 | Input/Output | SCI2 transmit data output SCI2 I ² C data input/output SCI2 master transmit data input/output |
| | SS2/CTS2_RTS2 | Input/Output | SCI2 chip select input, active-low SCI2 transfer start control input/output, active-low |
| SCI9 | SCK9 | Input/Output | SCI9 clock input/output |
| | RXD9/SCL9/ MISO9 | Input/Output | SCI9 receive data input SCI9 I ² C clock input/output SCI9 slave transmit data input/output |
| | TXD9/SDA9/ MOSI9 | Input/Output | SCI9 transmit data output SCI9 I ² C data input/output SCI9 master transmit data input/output |
| | SS9/CTS9_RTS9 | Input/Output | SCI9 chip select input, active-low SCI9 transfer start control input/output, active-low |

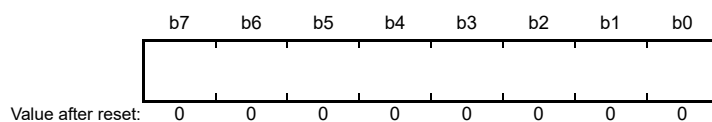
28.2 Register Descriptions

28.2.1 Receive Shift Register (RSR)

RSR is a shift register that receives serial data input from the RXDn pin and converts it into parallel data. When one frame of data is received, the data is automatically transferred to the RDR, RDRHL, or the receive FIFO register. RSR cannot be directly accessed by the CPU.

28.2.2 Receive Data Register (RDR)

Address(es): SCI0.RDR 4007 0005h, SCI1.RDR 4007 0025h, SCI2.RDR 4007 0045h, SCI9.RDR 4007 0125h



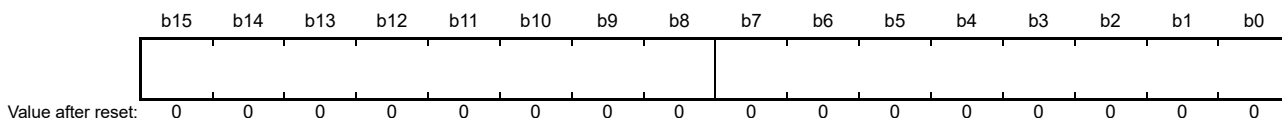
RDR is an 8-bit register that stores receive data. When one frame of serial data is received, it is transferred from RSR to RDR, and the RSR register can receive more data. Because RSR and RDR function as a double buffer, continuous received operations can be performed.

Read the RDR only once after a receive data full interrupt (SCIn_RXI) occurs.

Note: If the next frame of data is received before reading the received data from RDR, an overrun error occurs. The CPU cannot write to the RDR.

28.2.3 Receive 9-bit Data Register (RDRHL)

Address(es): SCI0.RDRHL 4007 0010h, SCI1.RDRHL 4007 0030h, SCI2.RDRHL 4007 0050h, SCI9.RDRHL 4007 0130h



RDRHL is a 16-bit register that stores received data. Use this register when asynchronous mode and 9-bit data length are selected.

The lower 8 bits of RDRHL are the shadow register of RDR, so access to RDRHL affects RDR. Access to RDRHL is prohibited if 7-bit or 8-bit data length is selected.

After one frame of data is received, the received data is transferred from RSR to the RDR/RDRHL registers, allowing RSR register to receive more data.

RSR and RDRHL form a double-buffered structure to enable continuous reception. RDRHL should be read only when a receive data full interrupt (SCIn_RXI) request is issued. An overrun error occurs when the next frame of data is received before the received data is read from RDRHL. The CPU cannot write to RDRHL.

Bits [15:9] of RDRHL are fixed to 0. These bits are read as 0. The write value should be 0.

28.2.4 Receive FIFO Data Register H, L, HL (FRDRH, FRDRL, FRDRHL)

Receive FIFO Data Register H (FRDRH)

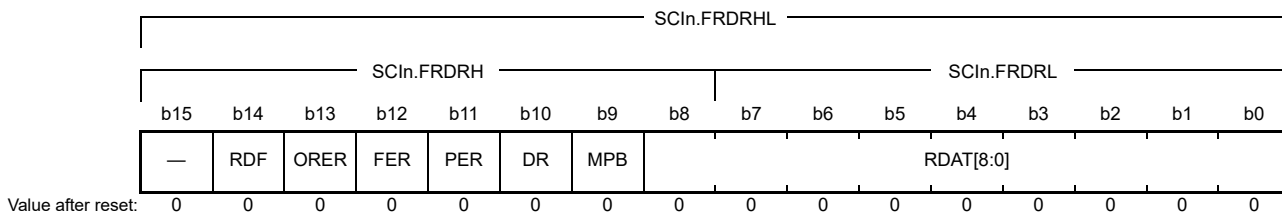
Address(es): SCI0.FRDRH 4007 0010h, SCI1.FRDRH 4007 0030h

Receive FIFO Data Register L (FRDRL)

Address(es): SCI0.FRDRL 4007 0011h, SCI1.FRDRL 4007 0031h

Receive FIFO Data Register HL (FRDRHL)

Address(es): SCI0.FRDRHL 4007 0010h, SCI1.FRDRHL 4007 0030h



| Bit | Symbol | Bit name | Description | R/W |
|----------|-----------|--------------------------|-------------------------------------------------------------------------------------------------------------------------------------------------------------------------------------------------------------------------|-----|
| b8 to b0 | RDAT[8:0] | Serial Receive Data | Received serial data, valid only in asynchronous mode, including multi-processor or clock synchronous mode, and with FIFO selected | R |
| b9 | MPB | Multi-Processor Bit Flag | Multi-processor bit associated with serial receive data (RDAT[8:0]): 0: Data transmission cycle 1: ID transmission cycle. MPB is valid only in asynchronous mode with SMR.MP = 1 and FIFO selected. | R |
| b10 | DR | Receive Data Ready Flag | 0: Receiving is in progress, or no received data remains in FRDRH and FRDRL after a normal completion of received data 1: Next receive data is not received for a period after a normal completion of received data. | R*1 |

| Bit | Symbol | Bit name | Description | R/W |
|-----|--------|-----------------------------|------------------------------------------------------------------------------------------------------------------------------------------------------------------------------------------------------------------------------------------------|-----|
| b11 | PER | Parity Error Flag | 0: No parity error occurred in the first data of FRDRH and FRDRL 1: A parity error occurred in the first data of FRDRH and FRDRL. | R |
| b12 | FER | Framing Error Flag | 0: No framing error occurred at the first data of FRDRH and FRDRL 1: A framing error occurred at the first data of FRDRH and FRDRL. | R |
| b13 | ORER | Overrun Error Flag | 0: No overrun error occurred 1: An overrun error occurred. | R*1 |
| b14 | RDF | Receive FIFO Data Full Flag | 0: The amount of received data written in FRDRH and FRDRL is below the specified received triggering number 1: The amount of received data written in FRDRH and FRDRL is equal to or greater than the specified received triggering number. | R*1 |
| b15 | — | Reserved | This bit is read as 0 | R |

Note 1. If this flag is read, it is same as a read from the SSR_FIFO register. Write 0 to the SSR_FIFO register to clear the flag.

FRDRHL is a 16-bit register that consists of FRDRL and FRDRH.

FRDRH and FRDRL constitute a 16-stage FIFO register that stores serial receive data and related status information. This register is valid only in asynchronous mode, including multi-processor mode or clock synchronous mode.

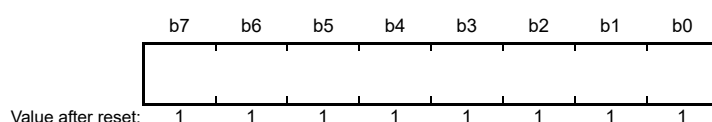
The SCI completes reception of one frame of serial data by transferring the received data from RSR into FRDRH and FRDRL for storage. Continuous reception is executed until 16 stages are stored. If data is read when there is no received data in FRDRH and FRDRL, the value is undefined. When FRDRH and FRDRL are full of received data, subsequent serial receive data is lost. The CPU can read from FRDRH and FRDRL but cannot write to them.

Reading 1 from the RDF, ORER, or DR flags of the FRDRH register is the same as reading those bits from the SSR_FIFO register. When writing 0 to clear a flag in the SSR_FIFO register after reading the FRDRH register, write 0 only to the flag that is to be cleared and write 1 to the other flags.

When reading both the FRDRH and FRDRL registers, read in order from FRDRH to FRDRL. FRDRHL register can be accessed in 16-bit units.

28.2.5 Transmit Data Register (TDR)

Address(es): [SCI0.TDR 4007 0003h](#), [SCI1.TDR 4007 0023h](#), [SCI2.TDR 4007 0043h](#), [SCI9.TDR 4007 0123h](#)



TDR is an 8-bit register that stores transmit data.

When the SCI detects that TSR is empty, it transfers the transmit data written in TDR to TSR and starts transmission.

The double-buffered structure of TDR and TSR enable continuous serial transmission. If the next transmit data is already written to TDR when one frame of data is transmitted, the SCI transfers the written data to TSR to continue transmission.

The CPU can read from or write to TDR at any time. Only write transmit data to TDR once after each instance of the transmit data empty interrupt (SCIn_TXI).

28.2.6 Transmit 9-Bit Data Register (TDRHL)

Address(es): SCI0.TDRHL 4007 000Eh, SCI1.TDRHL 4007 002Eh, SCI2.TDRHL 4007 004Eh, SCI9.TDRHL 4007 012Eh



TDRHL is a 16-bit register that stores transmit data. Use this register when asynchronous mode and 9-bit data length are selected.

The lower 8 bits of TDRHL are the shadow register of TDR. For example, access to TDRHL affects TDR. Access to the TDRHL register is prohibited if 7-bit or 8-bit data length is selected.

When empty space is detected in TSR, the transmit data stored in TDRHL is transferred to TSR and transmission is started.

TSR and TDRHL have a double-buffered structure to support continuous transmission. When the next data to be transmitted is stored in TDRHL after one frame of data is transmitted, the transmitting operation is continued by transferring the data to TSR.

The CPU can read and write to TDRHL. Bits [15:9] in TDRHL are fixed to 1. These bits are read as 1. The write value should be 1.

Write transmit data to TDRHL only once when a transmit data empty interrupt (SCIn_TXI) request is issued.

28.2.7 Transmit FIFO Data Register H, L, HL (FTDRH, FTDL, FTDRHL)

Transmit FIFO Data Register H (FTDRH)

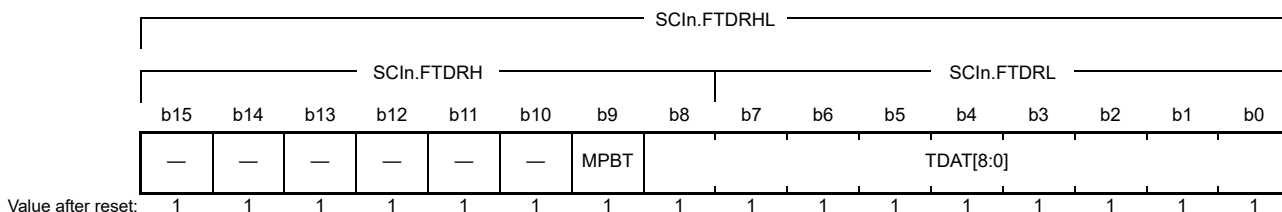
Address(es): SCI0.FTDRH 4007 000Eh, SCI1.FTDRH 4007 002Eh

Transmit FIFO Data Register L (FTDL)

Address(es): SCI0.FTDL 4007 000Fh, SCI1.FTDL 4007 002Fh

Transmit FIFO Data Register HL (FTDRHL)

Address(es): SCI0.FTDRHL 4007 000Eh, SCI1.FTDRHL 4007 002Eh



| Bit | Symbol | Bit name | Description | R/W |
|------------|-----------|-----------------------------------|------------------------------------------------------------------------------------------------------------------------------------------------------------------------------------------------------|-----|
| b8 to b0 | TDAT[8:0] | Serial Transmit Data | Serial transmit data, valid only in asynchronous mode (including multi-processor) or clock synchronous mode, with FIFO selected | W |
| b9 | MPBT | Multi-Processor Transfer Bit Flag | Value of the multi-processor bit in the transmission frame: 0: Data transmission cycle 1: ID transmission cycle. MPBT is valid only in asynchronous mode with SMR.MP = 1 and FIFO selected. | W |
| b15 to b10 | — | Reserved | The write value should be 1 | W |

FTDRHL is a 16-bit register that consists of FTDRH and FTDL.

FTDRH and FTDRL constitute a 16-stage FIFO register that stores data for serial transmission and the multi-processor transfer bit. These registers are valid only in asynchronous mode (including multi-processor mode) or clock synchronous mode.

When the SCI detects that TSR is empty, it transmits data written in FTDRH and FTDRL into TSR and starts serial transmission. Continuous serial transmission is executed until no transmit data is left in FTDRH and FTDRL. When FTDRH is full of transmit data, no more data can be written. If writing new data is attempted, the data is ignored. The CPU can write to FTDRH and FTDRL but cannot read them.

When writing to both the FTDRH and FTDRL registers, write in order from FTDRH to FTDRL.

MPBT bit (Multi-Processor Transfer Bit Flag)

Selects the multi-processor bit of the transmit frame. When FCR.FM = 1, SSR.MPBT is not valid.

28.2.8 Transmit Shift Register (TSR)

TSR is a shift register that transmits serial data. To perform serial data transmission, the SCI first automatically transfers transmit data from TDR, TDRHL, or transmit FIFO to TSR, then sends the data to the TXDn pin. The CPU cannot directly access TSR.

28.2.9 Serial Mode Register (SMR) for Non-Smart Card Interface Mode (SCMR.SMIF = 0)

Address(es): SCI0.SMR 4007 0000h, SCI1.SMR 4007 0020h, SCI2.SMR 4007 0040h, SCI9.SMR 4007 0120h

| | | | | | | | |
|----|-----|----|----|------|----|----------|----|
| b7 | b6 | b5 | b4 | b3 | b2 | b1 | b0 |
| CM | CHR | PE | PM | STOP | MP | CKS[1:0] | |

Value after reset: 0 0 0 0 0 0 0 0

| Bit | Symbol | Bit name | Description | R/W |
|--------|----------|----------------------|---------------------------------------------------------------------------------------------------------------------------------------------------------------------------------------------------------------------------------------------------------------------------------------------------------------------------------|-------|
| b1, b0 | CKS[1:0] | Clock Select | b1 b0 0 0: PCLKA clock (n = 0)*1 0 1: PCLKA/4 clock (n = 1)*1 1 0: PCLKA/16 clock (n = 2)*1 1 1: PCLKA/64 clock (n = 3)*1. | R/W*4 |
| b2 | MP | Multi-Processor Mode | Valid only in asynchronous mode: 0: Multi-processor communications function disabled 1: Multi-processor communications function enabled. | R/W*4 |
| b3 | STOP | Stop Bit Length | Valid only in asynchronous mode: 0: 1 stop bit 1: 2 stop bits. | R/W*4 |
| b4 | PM | Parity Mode | Valid only when the PE bit is 1: 0: Selects even parity 1: Selects odd parity. | R/W*4 |
| b5 | PE | Parity Enable | Valid only in asynchronous mode: • When transmitting: 0: Parity bit is not added 1: The parity bit is added. • When receiving: 0: Parity bit is not checked 1: The parity bit is checked. | R/W*4 |
| b6 | CHR | Character Length | Valid only in asynchronous mode*2. Selects character length in combination with the CHR1 bit in SCMR: CHR1 CHR 0 0: Transmit/receive in 9-bit data length 0 1: Transmit/receive in 9-bit data length 1 0: Transmit/receive in 8-bit data length (initial value) 1 1: Transmit/receive in 7-bit data length*3. | R/W*4 |

| Bit | Symbol | Bit name | Description | R/W |
|-----|--------|--------------------|-----------------------------------------------------------------------------------------|-------|
| b7 | CM | Communication Mode | 0: Asynchronous mode or simple IIC mode 1: Clock synchronous mode or simple SPI mode | R/W*4 |

Note 1. n is the decimal notation of the value of n in BRR, see [section 28.2.17, Bit Rate Register \(BRR\)](#).

Note 2. In any mode other than asynchronous mode, this bit setting is invalid and a fixed data length of 8 bits is used.

Note 3. LSB-first is fixed and the MSB bit [7] in TDR is not transmitted.

Note 4. Writable only when TE in SCR = 0 and RE in SCR = 0 (both serial transmission and reception are disabled).

SMR sets the communication format and clock source for the on-chip baud rate generator.

CKS[1:0] bits (Clock Select)

The CKS[1:0] bits select the clock source for the on-chip baud rate generator.

For the relationship between the settings of these bits and the baud rate, see [section 28.2.17, Bit Rate Register \(BRR\)](#).

MP bit (Multi-Processor Mode)

The MP bit disables or enables the multi-processor communications function. The settings of the PE bit and PM bit are invalid in multi-processor mode.

STOP bit (Stop Bit Length)

The STOP bit selects the stop bit length in transmission.

In reception, only the first stop bit is checked regardless of this bit setting. If the second stop bit is 0, it is treated as the start bit of the next transmit frame.

PM bit (Parity Mode)

The PM bit selects the parity mode (even or odd) for transmission and reception.

The setting of the PM bit is invalid in multi-processor mode.

PE bit (Parity Enable)

When the PE bit is set to 1, the parity bit is added to transmit data, and the parity bit is checked in reception.

Regardless of the setting of the PE bit, the parity bit is not added or checked in multi-processor format.

CHR bit (Character Length)

The CHR bit selects the data length for transmission and reception in combination with the CHR1 bit in SCMR.

In modes other than asynchronous mode, a fixed data length of 8 bits is used.

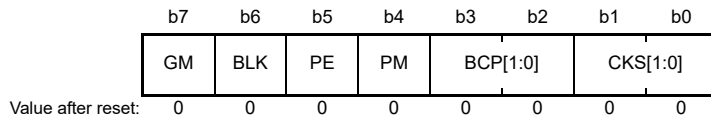
CM bit (Communication Mode)

The CM bit selects the communication mode:

- Asynchronous mode or simple IIC mode
- Clock synchronous mode or simple SPI mode.

28.2.10 Serial Mode Register for Smart Card Interface Mode (SMR_SMCI) (SCMR.SMIF = 1)

Address(es): SCI0.SMR_SMCI 4007 0000h, SCI1.SMR_SMCI 4007 0020h, SCI2.SMR_SMCI 4007 0040h, SCI9.SMR_SMCI 4007 0120h



| Bit | Symbol | Bit name | Description | R/W |
|--------|----------|---------------------|--------------------------------------------------------------------------------------------------------------------------------------------------------------------|-------|
| b1, b0 | CKS[1:0] | Clock Select | b1 b0 0 0: PCLKA clock (n = 0)*1 0 1: PCLKA/4 clock (n = 1)*1 1 0: PCLKA/16 clock (n = 2)*1 1 1: PCLKA/64 clock (n = 3)*1. | R/W*2 |
| b3, b2 | BCP[1:0] | Base Clock Pulse | Selects the number of base clock cycles in combination with the BCP2 bit in SCMR. Table 28.3 lists the combinations of the SCMR.BCP2 bit and SMR.BCP[1:0] bits. | R/W*2 |
| b4 | PM | Parity Mode | Valid only when the PE bit is 1: 0: Selects even parity 1: Selects odd parity. | R/W*2 |
| b5 | PE | Parity Enable | When this bit is set to 1, a parity bit is added to transmit data, and the parity of received data is checked. Set this bit to 1 in smart card interface mode. | R/W*2 |
| b6 | BLK | Block Transfer Mode | 0: Non-block transfer mode operation 1: Block transfer mode operation. | R/W*2 |
| b7 | GM | GSM Mode | 0: Non-GSM mode operation 1: GSM mode operation. | R/W*2 |

Note 1. n is the decimal notation of the value of n in BRR, see [section 28.2.17, Bit Rate Register \(BRR\)](#).

Note 2. Writable only when TE in SCR_SMCI = 0 and RE in SCR_SMCI = 0 (both serial transmission and reception are disabled).

The SMR_SMCI register sets the communication format and clock source for the on-chip baud rate generator.

CKS[1:0] bits (Clock Select)

The CKS[1:0] bits select the clock source for the on-chip baud rate generator.

For the relationship between the settings of these bits and the baud rate, see [section 28.2.17, Bit Rate Register \(BRR\)](#).

BCP[1:0] bits (Base Clock Pulse)

The BCP[1:0] bits select the number of base clock cycles in a 1-bit data transfer time in smart card interface mode.

Set these bits in combination with the BCP2 bit in SCMR.

For details, see [section 28.6.4, Receive Data Sampling Timing and Reception Margin](#).

Table 28.3 Combinations of SCMR.BCP2 bit and SMR_SMCI.BCP[1:0] bits (1 of 2)

| SCMR.BCP2 bit | SMR_SMCI.BCP[1:0] bits | Number of base clock cycles for 1-bit transfer period | |
|---------------|------------------------|-------------------------------------------------------|--------------------------------------------|
| 0 | 0 | 0 | 93 clock cycles (S = 93)*1 |
| 0 | 0 | 1 | 128 clock cycles (S = 128)*1 |
| 0 | 1 | 0 | 186 clock cycles (S = 186)*1 |
| 0 | 1 | 1 | 512 clock cycles (S = 512)*1 |
| 1 | 0 | 0 | 32 clock cycles (S = 32)*1 (initial value) |
| 1 | 0 | 1 | 64 clock cycles (S = 64)*1 |

Table 28.3 Combinations of SCMR.BCP2 bit and SMR_SMCI.BCP[1:0] bits (2 of 2)

| SCMR.BCP2 bit | SMR_SMCI.BCP[1:0] bits | Number of base clock cycles for 1-bit transfer period |
|---------------|------------------------|-------------------------------------------------------|
| 1 | 1 0 | 372 clock cycles (S = 372)*1 |
| 1 | 1 1 | 256 clock cycles (S = 256)*1 |

Note 1. S is the value of S in BRR (see section 28.2.17, Bit Rate Register (BRR)).

PM bit (Parity Mode)

The PM bit selects the parity mode for transmission and reception (even or odd).

For details on the usage of this bit in smart card interface mode, see section 28.6.2, Data Format (Except in Block Transfer Mode).

PE bit (Parity Enable)

Set the PE bit to 1.

The parity bit is added to transmit data before transmission, and the parity bit is checked in reception.

BLK bit (Block Transfer Mode)

Setting the BLK bit to 1 enables block transfer mode operation.

For details, see section 28.6.3, Block Transfer Mode.

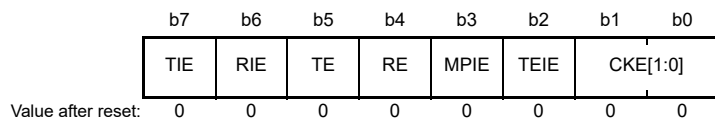
GM bit (GSM Mode)

Setting the GM bit to 1 enables GSM mode operation.

In GSM mode, the SSR_SMCI.TEND flag set timing is moved forward to 11.0 ETU (elementary time unit = 1-bit transfer time) from the start, and the clock output control function is enabled. For details, see section 28.6.6, Serial Data Transmission (Except in Block Transfer Mode) and section 28.6.8, Clock Output Control.

28.2.11 Serial Control Register (SCR) for Non-Smart Card Interface Mode (SCMR.SMIF = 0)

Address(es): SCI0.SCR 4007 0002h, SCI1.SCR 4007 0022h, SCI2.SCR 4007 0042h, SCI9.SCR 4007 0122h



| Bit | Symbol | Bit name | Description | R/W |
|--------|----------|--------------|----------------------------------------------------------------------------------------------------------------------------------------------------------------------------------------------------------------------------------------------------------------------------------------------------------------------------------------------------------------------------------------------------------------------------------------------------------------------------------------------------------------------------------------------------------------------------------------------------------------------------------------------------------------------------------------------------|-------|
| b1, b0 | CKE[1:0] | Clock Enable | Asynchronous mode: b1 b0 0 0: On-chip baud rate generator The SCKn pin is available for use as an I/O port according to the I/O port settings. 0 1: On-chip baud rate generator A clock with the same frequency as the bit rate is output from the SCKn pin. 1 x: External clock A clock with a frequency 16 times the bit rate should be input from the SCKn pin when SEMR.ABCS bit is 0. Input a clock signal with a frequency eight times the bit rate when the SEMR.ABCS bit is 1. Clock synchronous mode: b1 b0 0 x: Internal clock The SCKn pin functions as the clock output pin. 1 x: External clock The SCKn pin functions as the clock input pin. | R/W*1 |

| Bit | Symbol | Bit name | Description | R/W |
|-----|--------|----------------------------------|----------------------------------------------------------------------------------------------------------------------------------------------------------------------------------------------------------------------------------------------------------------------------------------------------------------------------------------------------------------------------------------------------------|-------|
| b2 | TEIE | Transmit End Interrupt Enable | 0: SCIn_TEI interrupt request disabled 1: SCIn_TEI interrupt request enabled. | R/W |
| b3 | MPIE | Multi-Processor Interrupt Enable | Valid in asynchronous mode when SMR.MP = 1: 0: Non-multi-processor reception 1: When data with the multi-processor bit set to 0 is received, the data is not read, and setting the status flags RDRF, ORER and FER in SSR to 1 is disabled. When data with the multi-processor bit set to 1 is received, the MPIE bit is automatically cleared to 0, and non-multi-processor reception is resumed. | R/W*3 |
| b4 | RE | Receive Enable | 0: Serial reception disabled 1: Serial reception enabled. | R/W*2 |
| b5 | TE | Transmit Enable | 0: Serial transmission disabled 1: Serial transmission enabled. | R/W*2 |
| b6 | RIE | Receive Interrupt Enable | 0: SCIn_RXI and SCIn_ERI interrupt requests disabled 1: SCIn_RXI and SCIn_ERI interrupt requests enabled. | R/W |
| b7 | TIE | Transmit Interrupt Enable | 0: SCIn_TXI interrupt request disabled 1: SCIn_TXI interrupt request enabled. | R/W |

x: Don't care

Note 1. Writable only when TE = 0 and RE = 0.

Note 2. 1 can be written only when TE = 0 and RE = 0, and the SMR.CM bit is 1. After setting TE or RE to 1, only 0 can be written to TE and RE. When the SMR.CM bit is 0 and the SIMR1.IICM bit is 0, writing is enabled under any condition.

Note 3. When writing new value to a bit other than the MPIE bit of this register during multi-processor mode (SMR.MP bit = 1), write 0 to MPIE bit using the store instruction to avoid accidentally setting the MPIE bit to 1 by read-modify-write when using a bit manipulation instruction.

SCR controls operation and the clock source selection for transmission and reception.

CKE[1:0] bits (Clock Enable)

The CKE[1:0] bits select the clock source and SCKn pin function.

TEIE bit (Transmit End Interrupt Enable)

The TEIE bit enables or disables an SCIn_TEI interrupt request. Set the TEIE bit to 0 to disable the interrupt request.

In simple IIC mode, SCIn_TEI is allocated to the interrupt on completion of issuing a start, restart, or stop condition (STI). In this case, the TEIE bit can be used to enable or disable the STI.

MPIE bit (Multi-Processor Interrupt Enable)

When the MPIE bit is set to 1 and data with the multi-processor bit set to 0 is received, the data is not read and setting the status flags RDRF, RDF, ORER, and FER in SSR/SSR_FIFO to 1 is disabled. When data with the multi-processor bit set to 1 is received, MPIE is automatically cleared to 0, and non-multi-processor reception resumes. For details, see [section 28.4, Multi-Processor Communications Function](#).

When the receive data includes the MPB bit set to 0, the receive data is not transferred from the RSR to the RDR, a receive error is not detected, and setting the flags ORER and FER to 1 is disabled.

When the receive data includes the MPB bit set to 1, the MPIE bit is automatically cleared to 0, the SCIn_RXI and SCIn_ERI interrupt requests are enabled (if the RIE bit in SCR is set to 1), and the setting of the ORER and FER flags to 1 is enabled.

Set MPIE to 0 if the multi-processor communications function is not used.

RE bit (Receive Enable)

The RE bit enables or disables serial reception.

When the RE bit is set to 1, serial reception starts by detecting the start bit in asynchronous mode or the synchronous clock input in clock synchronous mode. Set the reception format in the SMR before setting the RE bit to 1.

When non-FIFO operation is selected and reception is halted by setting the RE bit to 0, the RDRF, ORER, FER, and PER flags in SSR are not affected and the previous values are saved.

When FIFO operation is selected and reception is halted by setting the RE bit to 0, the RDF, ORER, FER, PER, and DR flags in SSR_FIFO are not affected and the previous values are saved.

TE bit (Transmit Enable)

The TE bit enables or disables serial transmission.

When the TE bit is set to 1, serial transmission starts by writing transmit data to TDR. Set the transmission format in the SMR before setting the TE bit to 1.

RIE bit (Receive Interrupt Enable)

The RIE bit enables or disables SCIn_RXI and SCIn_ERI interrupt requests.

Setting the RIE bit to 0 disables SCIn_RXI and SCIn_ERI interrupt requests.

To cancel an SCIn_ERI interrupt request, read 1 from the ORER, FER, or PER flag in SSR/SSR_FIFO, then set the flag to 0, or set the RIE bit to 0.

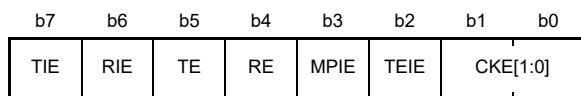
TIE bit (Transmit Interrupt Enable)

The TIE bit enables or disables SCIn_TXI interrupt request.

Setting the TIE bit to 0 disables an SCIn_TXI interrupt request. The TIE bit should be set to 1 when the TE bit is 1. An SCIn_TXI interrupt occurs after TE and TIE bits are set to 1 simultaneously, before transfer starts.

28.2.12 Serial Control Register for Smart Card Interface Mode (SCR_SMCI)(SCMR.SMIF = 1)

Address(es): SCI0.SCR_SMCI 4007 0002h, SCI1.SCR_SMCI 4007 0022h, SCI2.SCR_SMCI 4007 0042h, SCI9.SCR_SMCI 4007 0122h



Value after reset: 0 0 0 0 0 0 0 0

| Bit | Symbol | Bit name | Description | R/W |
|--------|----------|----------------------------------|------------------------------------------------------------------------------------------------------------------------------------------------------------------------------------------------------------------------------------------------------------------------------------------------------------------------------------------------------------------------------------------------------------------------------------------------------------------------------------------------------------------------------------------------------------------------|-------|
| b1, b0 | CKE[1:0] | Clock Enable | <ul style="list-style-type: none"> When GM in SMR_SMCI = 0: <ul style="list-style-type: none"> b1 b0 0 0: Output disabled The SCKn pin is available for use as an I/O port according to the I/O port settings. 0 1: Clock output 1 x: (Setting prohibited) When GM in SMR_SMCI = 1: <ul style="list-style-type: none"> b1 b0 0 0: Output fixed low x 1: Clock output 1 0: Output fixed high. | R/W*1 |
| b2 | TEIE | Transmit End Interrupt Enable | This bit should be 0 in smart card interface mode | R/W |
| b3 | MPIE | Multi-Processor Interrupt Enable | This bit should be 0 in smart card interface mode | R/W |
| b4 | RE | Receive Enable | 0: Serial reception disabled 1: Serial reception enabled. | R/W*2 |
| b5 | TE | Transmit Enable | 0: Serial transmission disabled 1: Serial transmission enabled. | R/W*2 |
| b6 | RIE | Receive Interrupt Enable | 0: SCIn_RXI and SCIn_ERI interrupt requests disabled 1: SCIn_RXI and SCIn_ERI interrupt requests enabled. | R/W |
| b7 | TIE | Transmit Interrupt Enable | 0: SCIn_TXI interrupt request disabled 1: SCIn_TXI interrupt request enabled. | R/W |

x: Don't care

Note 1. Writable only when TE = 0 and RE = 0.

Note 2. 1 can be written only when TE = 0 and RE = 0. After setting TE or RE to 1, only 0 can be written to TE and RE.

SCR_SMCI sets transmission control, interrupt control, and reception and clock source selection for transmission and reception.

For details on interrupt requests, see [section 28.10, Interrupt Sources](#).

CKE[1:0] bits (Clock Enable)

The CKE[1:0] bits control the clock output from the SCKn pin.

In GSM mode, clock output can be dynamically switched. For details, see [section 28.6.8, Clock Output Control](#).

TEIE bit (Transmit End Interrupt Enable)

Set the TEIE bit to 0 in smart card interface mode.

RE bit (Receive Enable)

The RE bit enables or disables serial reception.

When this bit is set to 1, serial reception starts by detecting the start bit. Set the reception format in the SMR_SMCI register before setting the RE bit to 1.

When reception is halted by setting the RE bit to 0, the ORER, FER, and PER flags in SSR_SMCI are not affected and the previous values are saved.

TE bit (Transmit Enable)

The TE bit enables or disables serial transmission.

When this bit is set to 1, serial transmission starts by writing transmit data to TDR. Set the transmission format in the SMR_SMCI register before setting the TE bit to 1.

RIE bit (Receive Interrupt Enable)

The RIE bit enables or disables SCIn_RXI and SCIn_ERI interrupt requests.

Setting the RIE bit to 0 disables SCIn_RXI and SCIn_ERI interrupt requests.

To cancel an SCIn_ERI interrupt request, read 1 from the ORER, FER, or PER flag in SSR_SMCI, then set the flag to 0, or set the RIE bit to 0.

TIE bit (Transmit Interrupt Enable)

The TIE bit enables or disables an SCIn_TXI interrupt request.

Setting the TIE bit to 0 disables an SCIn_TXI interrupt request. The TIE bit should be set to 1 when the TE bit is 1. An SCIn_TXI interrupt occurs after TE and TIE bits are set to 1 simultaneously, before transfer starts.

28.2.13 Serial Status Register (SSR) for Non-Smart Card Interface and Non-FIFO Mode (SCMR.SMIF = 0 and FCR.FM = 0)

Address(es): [SCI0.SSR 4007 0004h](#), [SCI1.SSR 4007 0024h](#), [SCI2.SSR 4007 0044h](#), [SCI9.SSR 4007 0124h](#)

| b7 | b6 | b5 | b4 | b3 | b2 | b1 | b0 |
|------|------|------|-----|-----|------|-----|------|
| TDRE | RDRF | ORER | FER | PER | TEND | MPB | MPBT |

Value after reset: 1 0 0 0 0 1 0 0

| Bit | Symbol | Bit name | Description | R/W |
|-----|--------|------------------------------|---------------------------------------------------------------------------------------------------------------------|-----|
| b0 | MPBT | Multi-Processor Bit Transfer | Sets the multi-processor bit for the transmission frame: 0: Data transmission cycle 1: ID transmission cycle. | R/W |

| Bit | Symbol | Bit name | Description | R/W |
|-----|--------|--------------------------|---------------------------------------------------------------------------------------------------------------------|---------|
| b1 | MPB | Multi-Processor | Value of the multi-processor bit in the reception frame: 0: Data transmission cycle 1: ID transmission cycle. | R |
| b2 | TEND | Transmit End Flag | 0: A character is being transmitted 1: Character transfer is complete. | R |
| b3 | PER | Parity Error Flag | 0: No parity error occurred 1: A parity error occurred. | R/(W)*1 |
| b4 | FER | Framing Error Flag | 0: No framing error occurred 1: A framing error occurred. | R/(W)*1 |
| b5 | ORER | Overflow Error Flag | 0: No overflow error occurred 1: An overflow error occurred. | R/(W)*1 |
| b6 | RDRF | Receive Data Full Flag | 0: No received data is in RDR register 1: Received data is in RDR register. | R/(W)*1 |
| b7 | TDRE | Transmit Data Empty Flag | 0: Transmit data is in TDR register 1: No transmit data is in TDR register. | R/(W)*1 |

Note 1. Only 0 can be written to clear the flag after reading 1.

The SSR register provides the SCI status flag and transmission or reception multi-processor bits.

MPBT bit (Multi-Processor Bit Transfer)

The MPBT bit controls the multi-processor bit of the transmit frame.

MPB bit (Multi-Processor)

The MPB bit holds the value of the multi-processor bit in the reception frame. This bit does not change when the SCR.RE bit is 0.

TEND flag (Transmit End Flag)

The TEND flag indicates completion of transmission.

[Setting conditions]

- When the SCR.TE bit is set to 0 (serial transmission is disabled) and the FCR.FM bit is set to 0 (non-FIFO selected)
- When the SCR.TE bit is set to 1, the TEND flag is not affected and keeps the value 1
- When the TDR register is not updated at the time of transmission of the tail-end bit of a character being transmitted.

[Clearing conditions]

- When transmit data is written to the TDR register when the SCR.TE bit is 1
- When 0 is written to TDRE after reading TDRE = 1 when the SCR.TE bit is 1.

PER flag (Parity Error Flag)

The PER flag indicates that a parity error occurs during reception in asynchronous mode and the reception ends abnormally.

[Setting condition]

- When a parity error is detected during reception in asynchronous mode and the address match function is disabled (DCCR.DCME = 0).

Although receive data is transferred to RDR when the parity error occurs, no SCIn_RXI interrupt request occurs.

When the PER flag is set to 1, the subsequent receive data is not transferred to RDR.

[Clearing condition]

- When 0 is written to PER after reading PER = 1. After writing 0 to PER, read the PER bit to check that it is actually set to 0.

When the RE bit in SCR is set to 0 to disable serial reception, the PER flag is not affected and keeps its previous value.

FER flag (Framing Error Flag)

The FER flag indicates that a framing error occurs during reception in asynchronous mode and the reception ends abnormally.

[Setting condition]

- When 0 is sampled as the stop bit during reception in asynchronous mode and the address match function is disabled (DCCR.DCME = 0).

In 2-stop mode, only the first stop bit is checked but the second stop bit is not checked. Although receive data is transferred to RDR when the framing error occurs, no SCIn_RXI interrupt request occurs. Also, when the FER flag is set to 1, the subsequent received data is not transferred to RDR.

[Clearing condition]

- When 0 is written to FER after reading FER = 1. After writing 0 to FER, read the FER bit to check that its value is 0.

When the RE bit in SCR is set to 0, the FER flag is not affected and keeps its previous value.

ORER flag (Overrun Error Flag)

The ORER flag indicates that an overrun error occurs during reception and the reception ends abnormally.

[Setting condition]

- When the next data is received before receive data that does not have a parity error and a framing error is read from RDR.

In RDR, received data prior to an overrun error occurrence is kept, but data received after the overrun error occurrence is lost. When the ORER flag is set to 1, reception data is not forwarded to RDR. In clock synchronous mode, serial transmission and reception are stopped.

[Clearing condition]

- When 0 is written to ORER after reading ORER = 1. After writing 0 to ORER, read the ORER bit to check that it is actually set to 0.

When the RE bit in SCR is set to 0, the ORER flag is not affected and keeps its previous value.

RDRF flag (Receive Data Full Flag)

The RDRF flag indicates the presence of receive data in RDR.

[Setting condition]

- When the reception ends normally, and receive data is forwarded from RSR to RDR.

[Clearing conditions]

- When it is set to 0 after 1 is read
- When data is read from RDR.

Note: Do not clear the RDRF flag by accessing the RDRF bit in the SSR register unless communication is aborted.

TDRE flag (Transmit Data Empty Flag)

The TDRE flag indicates the presence of transmit data in TDR.

[Setting conditions]

- When the SCR.TE bit is 0
- When data is transmitted from TDR to TSR.

[Clearing conditions]

- When it is set to 0 after 1 is read
- When SCR.TE = 1, and data is written to the TDR register.

Note: Do not clear the TDRE flag by accessing the TDRE bit in the SSR register unless communication is aborted.

28.2.14 Serial Status Register for Non-Smart Card Interface and FIFO Mode (SSR_FIFO) (SCMR.SMIF = 0 and FCR.FM = 1)

Address(es): SCI0.SSR_FIFO 4007 0004h, SCI1.SSR_FIFO 4007 0024h

| | | | | | | | | |
|--------------------|------|-----|------|-----|-----|------|----|----|
| | b7 | b6 | b5 | b4 | b3 | b2 | b1 | b0 |
| | TDFE | RDF | ORER | FER | PER | TEND | — | DR |
| Value after reset: | 1 | 0 | 0 | 0 | 0 | 0 | x | 0 |

| Bit | Symbol | Bit name | Description | R/W |
|-----|--------|-------------------------------|-----------------------------------------------------------------------------------------------------------------------------------------------------------------------------------------------------------------------------------------------------------------------------------------------------------------------------------------------------|---------|
| b0 | DR | Receive Data Ready Flag | 0: Receiving is in progress, or no received data remains in FRDRHL after a normal completion of received data (receive FIFO is empty) 1: The next received data is not received for a period after a normal completion of received data, and when the amount of data stored in the FIFO is equal to or less than the received triggering number. | R/(W)*1 |
| b1 | — | Reserved | The read value is undefined. The write value should be 1. | R/W |
| b2 | TEND | Transmit End Flag | 0: A character is transmitted 1: Character transfer is complete. | R/(W)*1 |
| b3 | PER | Parity Error Flag | 0: No parity error occurred 1: A parity error occurred. | R/(W)*1 |
| b4 | FER | Framing Error Flag | 0: No framing error occurred 1: A framing error occurred. | R/(W)*1 |
| b5 | ORER | Overrun Error Flag | 0: No overrun error occurred 1: An overrun error occurred. | R/(W)*1 |
| b6 | RDF | Receive FIFO Data Full Flag | 0: The amount of receive data written in FRDRHL is below the specified receive triggering number 1: The amount of receive data written in FRDRHL is equal to or greater than the specified receive triggering number. | R/(W)*1 |
| b7 | TDFE | Transmit FIFO Data Empty Flag | 0: The amount of transmit data written in FTDRHL exceeds the specified transmit triggering number 1: The amount of transmit data written in FTDRHL is equal to or less than the specified transmit triggering number. | R/(W)*1 |

Note 1. Only 0 can be written to this bit to clear the flag after reading 1.

The SSR_FIFO register provides SCI with FIFO mode status flags.

DR flag (Receive Data Ready Flag)

The DR flag indicates that the amount of data stored in the Receive FIFO Data Register (FRDRHL) falls below the specified receive triggering number, and that no subsequent data is received after the elapse of 15 ETUs from the last stop bit in asynchronous mode. This flag is valid only in asynchronous mode, including multi-processor mode, and when FIFO is selected.

In clock synchronous mode, this flag is not set to 1.

[Setting condition]

- DR is set to 1 when FRDRHL contains less data than the specified receive triggering number, and no subsequent data is received after the elapse of 15 ETUs*1 from the last stop bit, and the SSR_FIFO.FER and SSR_FIFO.PER flags are 0.

[Clearing conditions]

- When 1 is read from DR, and after all received data are read
- When the FCR.FM bit changes from 0 to 1.

Note 1. This is equivalent to 1.5 frames in the 8-bit format with one stop bit.

TEND flag (Transmit End Flag)

The TEND flag indicates that FTDRHL does not contain valid data when transmitting the last bit of a serial character, so transmission is halted.

[Setting condition]

- TEND is set to 1 when FTDRHL does not contain transmit data when the last bit of a 1-byte serial character is transmitted.

[Clearing conditions]

- When transmit data is written to FTDRHL when the SCR.TE bit is 1
- When 0 is written to TEND after 1 is read from TEND, when the SCR.TE bit is 1
- When the FCR.FM bit changes from 0 to 1.

PER flag (Parity Error Flag)

The PER flag indicates whether there is a parity error in the data read from the FRDRHL register in asynchronous mode when the address match function is disabled (DCCR.DCME = 0).

[Setting condition]

- When data is received and a parity error is detected, and the address match function is disabled (DCCR.DCME = 0).

[Clearing condition]

- When 0 is written to PER after reading PER = 1.

The reception operation is continuous when receive data is stored to FRDRHL register even when the parity error occurs while data is received.

When the SCR.RE bit is set to 0, the PER flag is not affected and the previous state is kept.

FER flag (Framing Error Flag)

The FER flag indicates whether there is a framing error in the data read from the FRDRHL register in asynchronous mode when the address match function is disabled (DCCR.DCME = 0).

[Setting condition]

- When 0 is sampled as the stop bit during reception and the address match function is disabled (DCCR.DCME = 0).

[Clearing condition]

- When 0 is written to FER after reading FER = 1.

The reception operation is continuous when receive data is stored to the FRDRHL register even when a framing error occurs while data is received.

When the SCR.RE bit is set to 0, the FER flag is not affected and the previous state is kept.

ORER flag (Overrun Error Flag)

The ORER flag indicates that receive operation abnormally stops due to occurrence of an overrun error.

[Setting condition]

- When the next serial reception completes while the receive FIFO is full of 16-byte receive data.

[Clearing condition]

- When 0 is written after 1 is read from ORER.

When the SCR.RE bit is set to 0, the ORER flag is not affected and the previous state is kept.

RDF flag (Receive FIFO Data Full Flag)

The RDF flag indicates that receive data is transferred to the FRDRHL register, and the amount of data in FRDRHL is

equal to or exceeds the specified receive triggering number. However, when RTRG is set to 0, the RDF flag is not set even when the amount of data in the receive FIFO is equal to 0.

[Setting condition]

- When the amount of receive data equal to or greater than the specified receive triggering number is stored in FRDRHL*1 and the FIFO is not empty.

[Clearing conditions]

- When 0 is written after 1 is read from RDF
- When FRDRHL is read by the DMAC or the DTC but only when block transfer is the last transmission
- When the setting condition and clearing condition occur at the same time. After that, when the amount of data stored in the FRDRHL register is the same or greater than the RTRG value, RDF is set to 1 after 1 PCLKA.

Note: Do not clear the RDF flags by accessing the RDF bit in the SSR register before reading receive data unless communication is aborted.

Note 1. Because the FRDRHL is a 16-stage FIFO register, the maximum amount of data that can be read when RDF is 1 is equivalent to the specified receive triggering number. If an attempt is made to read after all the data in FRDRHL is read, the data is undefined.

TDFE flag (Transmit FIFO Data Empty Flag)

The TDFE flag indicates that when data is transferred from FTDRHL into TSR, the amount of data in FTDRHL has fallen below the specified transmit triggering number, and writing of transmit data to FTDRHL is enabled.

[Setting conditions]

- When the TE bit in SCR is 0
- When the amount of transmit data written in FTDRHL is equal to or less than the specified transmit triggering number*1.

[Clearing conditions]

- When writing to FTDRHL is executed on the last transmission while the DTC or DMAC is activated
- When 0 is written to the TDFE flag after reading TDFE = 1.
When the setting condition and the clearing condition occur at the same time, the TDFE flag is 0. Thereafter, when the amount of data stored in FTDRHL register is equal to or less than the TTRG value, TDFE is set to 1 after 1 PCLKA.

Note: Do not clear the TDFE flags by accessing the TDFE bit in the SSR register before writing transmit data unless communication is aborted.

Note 1. Because the FTDRHL register is a 16-stage FIFO register, the maximum amount of data that can be written when the TDFE flag is 1 is 16 minus FDR.T[4:0]. If more data is written, data is discarded.

28.2.15 Serial Status Register for Smart Card Interface Mode (SSR_SMCI) (SCMR.SMIF = 1)

Address(es): SCI0.SSR_SMCI 4007 0004h, SCI1.SSR_SMCI 4007 0024h, SCI2.SSR_SMCI 4007 0044h, SCI9.SSR_SMCI 4007 0124h

| | b7 | b6 | b5 | b4 | b3 | b2 | b1 | b0 |
|--------------------|------|------|------|-----|-----|------|-----|------|
| | TDRE | RDRF | ORER | ERS | PER | TEND | MPB | MPBT |
| Value after reset: | 1 | 0 | 0 | 0 | 0 | 1 | 0 | 0 |

| Bit | Symbol | Bit name | Description | R/W |
|-----|--------|------------------------------|------------------------------------------------|-----|
| b0 | MPBT | Multi-Processor Bit Transfer | Set this bit to 0 in smart card interface mode | R/W |
| b1 | MPB | Multi-Processor | Set this bit to 0 in smart card interface mode | R |

| Bit | Symbol | Bit name | Description | R/W |
|-----|--------|--------------------------|-----------------------------------------------------------------------|---------|
| b2 | TEND | Transmit End Flag | 0: A character is transmitted 1: Character transfer is complete. | R |
| b3 | PER | Parity Error Flag | 0: No parity error occurred 1: A parity error occurred. | R/(W)*1 |
| b4 | ERS | Error Signal Status Flag | 0: Low error signal is not sampled 1: Low error signal is sampled. | R/(W)*1 |
| b5 | ORER | Overflow Error Flag | 0: No overflow error occurred 1: An overflow error occurred. | R/(W)*1 |
| b6 | RDRF | Receive Data Full Flag | 0: No received data in RDR 1: Received data in RDR. | R/(W)*1 |
| b7 | TDRE | Transmit Data Empty Flag | 0: Transmit data in TDR 1: No transmit data in TDR. | R/(W)*1 |

Note 1. Only 0 can be written to clear the flag after reading 1.

The SSR_SMCI register provides SCI with smart card interface mode status flags.

TEND flag (Transmit End Flag)

With no error signal from the receiving side, the TEND flag is set to 1 when more data is ready to be transferred to TDR.

[Setting conditions]

- When the SCR_SMCI.TE bit = 0 to disable serial transmission. When the SCR_SMCI.TE bit changes from 0 to 1, the TEND flag is not affected and keeps the value 1.
- When a specified period elapses after the latest transmission of 1 byte, the ERS flag is 0, and TDR is not updated.

The set timing is determined by the following register settings:

- When SMR_SMCI.GM = 0 and SMR_SMCI.BLK = 0, 12.5 ETU after the start of transmission
- When SMR_SMCI.GM = 0 and SMR_SMCI.BLK = 1, 11.5 ETU after the start of transmission
- When SMR_SMCI.GM = 1 and SMR_SMCI.BLK = 0, 11.0 ETU after the start of transmission
- When SMR_SMCI.GM = 1 and SMR_SMCI.BLK = 1, 11.0 ETU after the start of transmission.

[Clearing conditions]

- When transmit_data is written to TDR while the SCR_SMCI.TE bit is 1
- When 0 is written to TDRE after reading TDRE = 1 while the SCR_SMCI.TE bit is 1.

PER flag (Parity Error Flag)

The PER flag indicates that a parity error occurs during reception in asynchronous mode and the reception ends abnormally.

[Setting condition]

- When a parity error is detected during reception. Although receive data is transferred to RDR when a parity error occurs, no SCIn_RXI interrupt request occurs. When the PER flag is set to 1, the subsequent receive data is not transferred to RDR.

[Clearing condition]

- When 0 is written to PER after reading PER = 1. After writing 0 to PER, read the PER bit to check that it is actually set to 0.

When the RE bit in SCR_SMCI is set to 0 to disable serial reception, the PER flag is not affected and keeps its previous value.

ERS flag (Error Signal Status Flag)

[Setting condition]

- When a low error signal is sampled.

[Clearing condition]

- When 0 is written to ERS after reading ERS = 1.

ORER flag (Overrun Error Flag)

The ORER flag indicates that an overrun error occurs during reception and the reception ends abnormally.

[Setting condition]

- When the next data is received before receive data is read from RDR that does not have a parity error. In RDR, the data received before an overrun error occurred is saved, but data received after the overrun error is lost. When the ORER flag is set to 1, the received data is not forwarded to RDR.

[Clearing condition]

- When 0 is written to ORER after reading ORER = 1. After writing 0 to ORER, read it to verify that its value is 0.

When the RE bit in SCR_SMCI is set to 0, the ORER flag is not affected and keeps its previous value.

RDRF flag (Receive Data Full Flag)

The RDRF flag indicates the presence of receive data in RDR.

[Setting condition]

- When the reception ends normally, and receive data is forwarded from RSR to RDR.

[Clearing conditions]

- When 0 is written to RDRF after 1 is read
- When data is read from RDR.

Note: Do not clear the RDRF flags by accessing the RDRF bit in the SSR register unless communication is aborted.

TDRE flag (Transmit Data Empty Flag)

The TDRE flag indicates the presence of transmit data in TDR.

[Setting conditions]

- When the SCR_SMCI.TE bit is 0
- When data is transmitted from TDR to TSR.

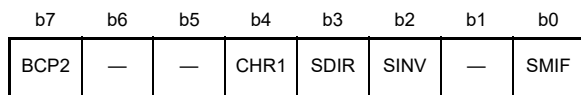
[Clearing conditions]

- When 0 is written to TDRE after 1 is read
- When the SCR_SMCI.TE bit is 1 and data is forwarded to the TDR register.

Note: Do not clear the TDRE flags by accessing the TDRE bit in the SSR register unless communication is aborted.

28.2.16 Smart Card Mode Register (SCMR)

Address(es): SCI0.SCMR 4007 0006h, SCI1.SCMR 4007 0026h, SCI2.SCMR 4007 0046h, SCI9.SCMR 4007 0126h



Value after reset: 1 1 1 1 0 0 1 0

| Bit | Symbol | Bit name | Description | R/W |
|-----|--------|----------------------------------|----------------------------------------------------------------------------------------------------------------------------------------------------|-------|
| b0 | SMIF | Smart Card Interface Mode Select | 0: Non-smart card interface mode (asynchronous mode, clock synchronous mode, simple SPI mode, or simple IIC mode) 1: Smart card interface mode. | R/W*1 |
| b1 | — | Reserved | This bit is read as 1. The write value should be 1. | R/W |

| Bit | Symbol | Bit name | Description | R/W | | | | | | | | | | | | | | | |
|--------|----------------------|-------------------------------------------------------|----------------------------------------------------------------------------------------------------------------------------------------------------------------------------------------------------------------------------------------------------------------------------------------------------------------------------------------------------------------------------------------------------------------------------------------------------------------------------------------------------------------------------------------------|-------|-----|--|---|---|---------------------------------------|---|---|---------------------------------------|---|---|-------------------------------------------------------|---|---|------------------------------------------|-------|
| b2 | SINV | Transmitted/Received Data Invert | 0: TDR content transmitted as is. Receive data is stored as received in RDR. 1: TDR content inverted before transmitted. Receive data is stored in inverted form in RDR. This bit can be used in the following modes: <ul style="list-style-type: none"> • Smart card interface mode • Asynchronous mode (multi-processor mode) • Clock synchronous mode • Simple SPI mode. Set this bit to 0 for operation in simple IIC mode. | R/W*1 | | | | | | | | | | | | | | | |
| b3 | SDIR | Transmitted/Received Data Transfer Direction | 0: Transfer with LSB-first 1: Transfer with MSB-first. This bit can be used in the following modes: <ul style="list-style-type: none"> • Smart card interface mode • Asynchronous mode (multi-processor mode) • Clock synchronous mode • Simple SPI mode. Set this bit to 1 for operation in simple IIC mode. | R/W*1 | | | | | | | | | | | | | | | |
| b4 | CHR1 | Character Length 1 | Only valid in asynchronous mode*2. Selects the character length in combination with the CHR bit in SMR: <table border="0"> <tr> <td>CHR1</td> <td>CHR</td> <td></td> </tr> <tr> <td>0</td> <td>0</td> <td>Transmit/receive in 9-bit data length</td> </tr> <tr> <td>0</td> <td>1</td> <td>Transmit/receive in 9-bit data length</td> </tr> <tr> <td>1</td> <td>0</td> <td>Transmit/receive in 8-bit data length (initial value)</td> </tr> <tr> <td>1</td> <td>1</td> <td>Transmit/receive in 7-bit data length*3.</td> </tr> </table> | CHR1 | CHR | | 0 | 0 | Transmit/receive in 9-bit data length | 0 | 1 | Transmit/receive in 9-bit data length | 1 | 0 | Transmit/receive in 8-bit data length (initial value) | 1 | 1 | Transmit/receive in 7-bit data length*3. | R/W*1 |
| CHR1 | CHR | | | | | | | | | | | | | | | | | | |
| 0 | 0 | Transmit/receive in 9-bit data length | | | | | | | | | | | | | | | | | |
| 0 | 1 | Transmit/receive in 9-bit data length | | | | | | | | | | | | | | | | | |
| 1 | 0 | Transmit/receive in 8-bit data length (initial value) | | | | | | | | | | | | | | | | | |
| 1 | 1 | Transmit/receive in 7-bit data length*3. | | | | | | | | | | | | | | | | | |
| b6, b5 | — | Reserved | These bits are read as 1. The write value should be 1. | R/W | | | | | | | | | | | | | | | |
| b7 | BCP2 | Base Clock Pulse 2 | Selects the number of base clock cycles in combination with the SMR_SMCI.BCP[1:0] bits. Table 28.4 lists the combinations of the SCMR.BCP2 bit and SMR_SMCI.BCP[1:0] bits. | R/W*1 | | | | | | | | | | | | | | | |

Note 1. Writable only when TE in SCR/SCR_SMCI = 0 and RE in SCR/SCR_SMCI = 0 (both serial transmission and reception are disabled).

Note 2. The setting is invalid and a fixed data length of 8 bits is used in modes other than asynchronous mode.

Note 3. LSB-first should be selected and the value of MSB bit [7] in TDR cannot be transmitted.

The SCMR register selects the smart card interface and communication format.

SMIF bit (Smart Card Interface Mode Select)

Setting the SMIF bit to 1 selects the smart card interface mode. Setting it to 0 selects all the other modes as follows:

- Asynchronous mode
- Multi-processor mode
- Clock synchronous mode
- Simple SPI mode
- Simple IIC mode.

SINV bit (Transmitted/Received Data Invert)

The SINV bit inverts the transmit/receive data logic level. This bit does not affect the logic level of the parity bit. To invert the parity bit, invert the PM bit in SMR or SMR_SMCI.

CHR1 bit (Character Length 1)

The CHR1 bit selects the data length of transmit/receive data in combination with the CHR bit in SMR.

A fixed data length of 8 bits is used in modes other than asynchronous mode.

BCP2 bit (Base Clock Pulse 2)

The BCP2 bit selects the number of base clock cycles in a 1-bit data transfer time in smart card interface mode. Set this bit in combination with the SMR_SMCI.BCP[1:0] bits.

Table 28.4 Combinations of SCMR.BCP2 bit and SMR_SMCI.BCP[1:0] bits

| SCMR.BCP2 bit | SMR_SMCI.BCP[1:0] bits | | Number of base clock cycles for 1-bit transfer period |
|---------------|------------------------|---|--------------------------------------------------------|
| 0 | 0 | 0 | 93 clock cycles (S = 93)* ¹ |
| 0 | 0 | 1 | 128 clock cycles (S = 128)* ¹ |
| 0 | 1 | 0 | 186 clock cycles (S = 186)* ¹ |
| 0 | 1 | 1 | 512 clock cycles (S = 512)* ¹ |
| 1 | 0 | 0 | 32 clock cycles (S = 32)* ¹ (initial Value) |
| 1 | 0 | 1 | 64 clock cycles (S = 64)* ¹ |
| 1 | 1 | 0 | 372 clock cycles (S = 372)* ¹ |
| 1 | 1 | 1 | 256 clock cycles (S = 256)* ¹ |

Note 1. S is the value of S in the Bit Rate Register (BRR). See [section 28.2.17, Bit Rate Register \(BRR\)](#).

28.2.17 Bit Rate Register (BRR)

Address(es): [SCI0.BRR 4007 0001h](#), [SCI1.BRR 4007 0021h](#), [SCI2.BRR 4007 0041h](#), [SCI9.BRR 4007 0121h](#)



BRR is an 8-bit register that adjusts the bit rate.

As each SCI channel has independent baud rate generator control, different bit rates can be set for each. [Table 28.5](#) shows the relationship between the setting (N) in the BRR and the bit rate (B) for asynchronous mode, multi-processor transfer, clock synchronous mode, smart card interface mode, simple SPI mode, and simple IIC mode.

The initial value of BRR is FFh. BRR can be read by the CPU, but can only be written to when the TE and RE bits in SCR/SCR_SMCI are 0.

Table 28.5 Relationship between N setting in BRR and bit rate B

| Mode | SEMR settings | | | BRR setting | Error |
|----------------------------------------|---------------|------------|-----------|-----------------------------------------------------------------|--------------------------------------------------------------------------------------------------------------------|
| | BGDM bit | ABCS bit | ABCSE bit | | |
| Asynchronous, multi-processor transfer | 0 | 0 | 0 | $N = \frac{PCLKA \times 10^6}{64 \times 2^{2n-1} \times B} - 1$ | Error (%) = $\left\{ \frac{PCLKA \times 10^6}{B \times 64 \times 2^{2n-1} \times (N + 1)} - 1 \right\} \times 100$ |
| | 1 | 0 | 0 | $N = \frac{PCLKA \times 10^6}{32 \times 2^{2n-1} \times B} - 1$ | Error (%) = $\left\{ \frac{PCLKA \times 10^6}{B \times 32 \times 2^{2n-1} \times (N + 1)} - 1 \right\} \times 100$ |
| | 0 | 1 | 0 | $N = \frac{PCLKA \times 10^6}{16 \times 2^{2n-1} \times B} - 1$ | Error (%) = $\left\{ \frac{PCLKA \times 10^6}{B \times 16 \times 2^{2n-1} \times (N + 1)} - 1 \right\} \times 100$ |
| | 1 | 1 | 0 | $N = \frac{PCLKA \times 10^6}{12 \times 2^{2n-1} \times B} - 1$ | Error (%) = $\left\{ \frac{PCLKA \times 10^6}{B \times 12 \times 2^{2n-1} \times (N + 1)} - 1 \right\} \times 100$ |
| | Don't care | Don't care | 1 | $N = \frac{PCLKA \times 10^6}{8 \times 2^{2n-1} \times B} - 1$ | Error (%) = $\left\{ \frac{PCLKA \times 10^6}{B \times S \times 2^{2n+1} \times (N + 1)} - 1 \right\} \times 100$ |
| Clock synchronous, simple SPI | | | | $N = \frac{PCLKA \times 10^6}{8 \times 2^{2n-1} \times B} - 1$ | |
| Smart card interface | | | | $N = \frac{PCLKA \times 10^6}{S \times 2^{2n+1} \times B} - 1$ | Error (%) = $\left\{ \frac{PCLKA \times 10^6}{B \times S \times 2^{2n+1} \times (N + 1)} - 1 \right\} \times 100$ |

Table 28.5 Relationship between N setting in BRR and bit rate B

| Mode | SEMR settings | | | BRR setting | Error |
|---------------------------|---------------|----------|-----------|-----------------------------------------------------------------|-------|
| | BGDM bit | ABCS bit | ABCSE bit | | |
| Simple I ² C*1 | | | | $N = \frac{PCLKA \times 10^6}{64 \times 2^{2n-1} \times B} - 1$ | |

B: Bit rate (bps).

N: BRR setting for on-chip baud rate generator ($0 \leq N \leq 255$).

PCLKA: Operating frequency (MHz).

n and S: Determined by the settings of the SMR/SMR_SMCI and SCMR registers as listed in [Table 28.7](#) and [Table 28.8](#).

Note 1. Adjust the bit rate so that the widths at high and low level of the SCLn output in simple IIC mode satisfy the I²C standard.

Table 28.6 Calculating widths at high and low level for SCL

| Mode | SCL | Formula (result in seconds) |
|------------------|-------------------------------------|------------------------------------------------------------------------------|
| I ² C | Width at high level (minimum value) | $(N+1) \times 4 \times 2^{2n-1} \times 7 \times \frac{1}{PCLKA \times 10^6}$ |
| | Width at low level (minimum value) | $(N+1) \times 4 \times 2^{2n-1} \times 8 \times \frac{1}{PCLKA \times 10^6}$ |

Table 28.7 Clock source settings

| SMR or SMR_SMCI.CKS[1:0] bits | Clock source | n |
|-------------------------------|----------------|---|
| 0 0 | PCLKA clock | 0 |
| 0 1 | PCLKA/4 clock | 1 |
| 1 0 | PCLKA/16 clock | 2 |
| 1 1 | PCLKA/64 clock | 3 |

Table 28.8 Base clock settings in smart card interface mode

| SCMR.BCP2 bit | SMR_SMCI.BCP[1:0] bits | Base clock cycles for 1-bit period | S |
|---------------|------------------------|------------------------------------|-----|
| 0 | 0 0 | 93 clock cycles | 93 |
| 0 | 0 1 | 128 clock cycles | 128 |
| 0 | 1 0 | 186 clock cycles | 186 |
| 0 | 1 1 | 512 clock cycles | 512 |
| 1 | 0 0 | 32 clock cycles | 32 |
| 1 | 0 1 | 64 clock cycles | 64 |
| 1 | 1 0 | 372 clock cycles | 372 |
| 1 | 1 1 | 256 clock cycles | 256 |

[Table 28.9](#) and [Table 28.10](#) list the examples of BRR (N) settings in asynchronous mode. [Table 28.11](#) lists the maximum bit rate selectable for each operating frequency. [Table 28.14](#) lists the examples of BRR (N) settings in smart card interface mode.

[Table 28.17](#) lists the examples of BRR (N) settings in simple IIC mode. In smart card interface mode, the number of base clock cycles S in a 1-bit data transfer time can be selected. For details, see [section 28.6.4, Receive Data Sampling Timing and Reception Margin](#). [Table 28.12](#) and [Table 28.14](#) list the maximum bit rates with external clock input.

When either the Asynchronous Mode Base Clock Select (ABCS) bit or the Baud Rate Generator Double-speed Mode Select (BGDM) bit in the Serial Extended Mode Register (SEMR) is set to 1 in asynchronous mode, the bit rate becomes twice the value listed in [Table 28.16](#). When both of those bits are set to 1, the bit rate becomes four times the listed value.

Table 28.9 Examples of BRR settings for different bit rates in asynchronous mode (1)

| Bit rate (bps) | Operating frequency PCLKA (MHz) | | | | | | | | | | | | | | |
|-------------------|---------------------------------|-----|-----------|--------|-----|-----------|----|-----|-----------|----|-----|-----------|--------|-----|-----------|
| | 8 | | | 9.8304 | | | 10 | | | 12 | | | 12.288 | | |
| | n | N | Error (%) | n | N | Error (%) | n | N | Error (%) | n | N | Error (%) | n | N | Error (%) |
| 110 | 2 | 141 | 0.03 | 2 | 174 | -0.26 | 2 | 177 | -0.25 | 2 | 212 | 0.03 | 2 | 217 | 0.08 |
| 150 | 2 | 103 | 0.16 | 2 | 127 | 0.00 | 2 | 129 | 0.16 | 2 | 155 | 0.16 | 2 | 159 | 0.00 |
| 300 | 1 | 207 | 0.16 | 1 | 255 | 0.00 | 2 | 64 | 0.16 | 2 | 77 | 0.16 | 2 | 79 | 0.00 |
| 600 | 1 | 103 | 0.16 | 1 | 127 | 0.00 | 1 | 129 | 0.16 | 1 | 155 | 0.16 | 1 | 159 | 0.00 |
| 1200 | 0 | 207 | 0.16 | 0 | 255 | 0.00 | 1 | 64 | 0.16 | 1 | 77 | 0.16 | 1 | 79 | 0.00 |
| 2400 | 0 | 103 | 0.16 | 0 | 127 | 0.00 | 0 | 129 | 0.16 | 0 | 155 | 0.16 | 0 | 159 | 0.00 |
| 4800 | 0 | 51 | 0.16 | 0 | 63 | 0.00 | 0 | 64 | 0.16 | 0 | 77 | 0.16 | 0 | 79 | 0.00 |
| 9600 | 0 | 25 | 0.16 | 0 | 31 | 0.00 | 0 | 32 | -1.36 | 0 | 38 | 0.16 | 0 | 39 | 0.00 |
| 19200 | 0 | 12 | 0.16 | 0 | 15 | 0.00 | 0 | 15 | 1.73 | 0 | 19 | -2.34 | 0 | 19 | 0.00 |
| 31250 | 0 | 7 | 0.00 | 0 | 9 | -1.70 | 0 | 9 | 0.00 | 0 | 11 | 0.00 | 0 | 11 | 2.40 |
| 38400 | - | - | - | 0 | 7 | 0.00 | 0 | 7 | 1.73 | 0 | 9 | -2.34 | 0 | 9 | 0.00 |

| Bit rate (bps) | Operating frequency PCLKA (MHz) | | | | | | | | | | | | | | |
|-------------------|---------------------------------|-----|-----------|----|-----|-----------|---------|-----|-----------|----|-----|-----------|---------|-----|-----------|
| | 14 | | | 16 | | | 17.2032 | | | 18 | | | 19.6608 | | |
| | n | N | Error (%) | n | N | Error (%) | n | N | Error (%) | n | N | Error (%) | n | N | Error (%) |
| 110 | 2 | 248 | -0.17 | 3 | 70 | 0.03 | 3 | 75 | 0.48 | 3 | 79 | -0.12 | 3 | 86 | 0.31 |
| 150 | 2 | 181 | 0.16 | 2 | 207 | 0.16 | 2 | 223 | 0.00 | 2 | 233 | 0.16 | 2 | 255 | 0.00 |
| 300 | 2 | 90 | 0.16 | 2 | 103 | 0.16 | 2 | 111 | 0.00 | 2 | 116 | 0.16 | 2 | 127 | 0.00 |
| 600 | 1 | 181 | 0.16 | 1 | 207 | 0.16 | 1 | 223 | 0.00 | 1 | 233 | 0.16 | 1 | 255 | 0.00 |
| 1200 | 1 | 90 | 0.16 | 1 | 103 | 0.16 | 1 | 111 | 0.00 | 1 | 116 | 0.16 | 1 | 127 | 0.00 |
| 2400 | 0 | 181 | 0.16 | 0 | 207 | 0.16 | 0 | 223 | 0.00 | 0 | 233 | 0.16 | 0 | 255 | 0.00 |
| 4800 | 0 | 90 | 0.16 | 0 | 103 | 0.16 | 0 | 111 | 0.00 | 0 | 116 | 0.16 | 0 | 127 | 0.00 |
| 9600 | 0 | 45 | -0.93 | 0 | 51 | 0.16 | 0 | 55 | 0.00 | 0 | 58 | -0.69 | 0 | 63 | 0.00 |
| 19200 | 0 | 22 | -0.93 | 0 | 25 | 0.16 | 0 | 27 | 0.00 | 0 | 28 | 1.02 | 0 | 31 | 0.00 |
| 31250 | 0 | 13 | 0.00 | 0 | 15 | 0.00 | 0 | 16 | 1.20 | 0 | 17 | 0.00 | 0 | 19 | -1.70 |
| 38400 | - | - | - | 0 | 12 | 0.16 | 0 | 13 | 0.00 | 0 | 14 | -2.34 | 0 | 15 | 0.00 |

Note: In this example, SEMR.ABCS = 0, SEMR.ABCSE = 0, and SEMR.BGDM = 0.
When either the ABCS bit or BGDM bit is set to 1, the bit rate doubles.
When both ABCS and BGDM are set to 1, the bit rate quadruples.

Table 28.10 Examples of BRR settings for different bit rates in asynchronous mode (2) (1 of 2)

| Bit rate (bps) | Operating frequency PCLKA (MHz) | | | | | | | | | | | | | | |
|-------------------|---------------------------------|-----|-----------|----|-----|-----------|----|-----|-----------|----|-----|-----------|----|-----|-----------|
| | 20 | | | 25 | | | 30 | | | 33 | | | 40 | | |
| | n | N | Error (%) | n | N | Error (%) | n | N | Error (%) | n | N | Error (%) | n | N | Error (%) |
| 110 | 3 | 88 | -0.25 | 3 | 110 | -0.02 | 3 | 132 | 0.13 | 3 | 145 | 0.33 | 3 | 177 | -0.25 |
| 150 | 3 | 64 | 0.16 | 3 | 80 | 0.47 | 3 | 97 | -0.35 | 3 | 106 | 0.39 | 3 | 129 | 0.16 |
| 300 | 2 | 129 | 0.16 | 2 | 162 | -0.15 | 2 | 194 | 0.16 | 2 | 214 | -0.07 | 3 | 64 | 0.16 |
| 600 | 2 | 64 | 0.16 | 2 | 80 | 0.47 | 2 | 97 | -0.35 | 2 | 106 | 0.39 | 2 | 129 | 0.16 |
| 1200 | 1 | 129 | 0.16 | 1 | 162 | -0.15 | 1 | 194 | 0.16 | 1 | 214 | -0.07 | 2 | 64 | 0.16 |
| 2400 | 1 | 64 | 0.16 | 1 | 80 | 0.47 | 1 | 97 | -0.35 | 1 | 106 | 0.39 | 1 | 129 | 0.16 |
| 4800 | 0 | 129 | 0.16 | 0 | 162 | -0.15 | 0 | 194 | 0.16 | 0 | 214 | -0.07 | 1 | 64 | 0.16 |
| 9600 | 0 | 64 | 0.16 | 0 | 80 | 0.47 | 0 | 97 | -0.35 | 0 | 106 | 0.39 | 0 | 129 | 0.16 |
| 19200 | 0 | 32 | -1.36 | 0 | 40 | -0.76 | 0 | 48 | -0.35 | 0 | 53 | -0.54 | 0 | 64 | 0.16 |

Table 28.10 Examples of BRR settings for different bit rates in asynchronous mode (2) (2 of 2)

| Bit rate (bps) | Operating frequency PCLKA (MHz) | | | | | | | | | | | | | | |
|----------------|---------------------------------|----|-----------|----|----|-----------|----|----|-----------|----|----|-----------|----|----|-----------|
| | 20 | | | 25 | | | 30 | | | 33 | | | 40 | | |
| | n | N | Error (%) | n | N | Error (%) | n | N | Error (%) | n | N | Error (%) | n | N | Error (%) |
| 31250 | 0 | 19 | 0.00 | 0 | 24 | 0.00 | 0 | 29 | 0.00 | 0 | 32 | 0.00 | 0 | 39 | 0.00 |
| 38400 | 0 | 15 | 1.73 | 0 | 19 | 1.73 | 0 | 23 | 1.73 | 0 | 26 | -0.54 | 0 | 32 | -1.36 |

Note: In this example, SEMR.ABCS = 0 and SEMR.ABCSE = 0 and SEMR.BGDM = 0.
 When either the ABCS bit or BGDM bit is set to 1, the bit rate doubles.
 When both ABCS and BGDM are set to 1, the bit rate quadruples.

Table 28.11 Maximum bit rate for each operating frequency in asynchronous mode (1 of 2)

| PCLKA (MHz) | SEMR settings | | | | | Maximum bit rate (bps) | PCLKA (MHz) | SEMR settings | | | | | Maximum bit rate (bps) | |
|-------------|---------------|------------|------------|---|---|------------------------|-------------|---------------|------------|------------|---|---------|------------------------|---------|
| | BGDM bit | ABCS bit | ABCSE bit | n | N | | | BGDM bit | ABCS bit | ABCSE bit | n | N | | |
| 8 | 0 | 0 | 0 | 0 | 0 | 0 | 17.2032 | 0 | 0 | 0 | 0 | 0 | 0 | 537600 |
| | | 1 | 0 | 0 | 0 | 0 | | | 1 | 0 | 0 | 0 | 0 | 1075200 |
| | 1 | 0 | 0 | 0 | 0 | 0 | | 1 | 0 | 0 | 0 | 0 | 0 | 2150400 |
| | | 1 | 0 | 0 | 0 | 0 | | | 1 | 0 | 0 | 0 | 0 | 2867200 |
| | Don't care | Don't care | Don't care | 1 | 0 | 0 | | 1333333 | Don't care | Don't care | 1 | 0 | 0 | 2867200 |
| | | 0 | 0 | 0 | 0 | 0 | | 307200 | 0 | 0 | 0 | 0 | 0 | 562500 |
| | | 1 | 0 | 0 | 0 | 0 | | 614400 | 1 | 0 | 0 | 0 | 0 | 1125000 |
| | | 1 | 0 | 0 | 0 | 0 | | 1228800 | 1 | 0 | 0 | 0 | 0 | 2250000 |
| Don't care | Don't care | Don't care | 1 | 0 | 0 | 1638400 | Don't care | Don't care | 1 | 0 | 0 | 3000000 | | |
| | 0 | 0 | 0 | 0 | 0 | 312500 | 0 | 0 | 0 | 0 | 0 | 614400 | | |
| | 1 | 0 | 0 | 0 | 0 | 625000 | 1 | 0 | 0 | 0 | 0 | 1228800 | | |
| | 1 | 0 | 0 | 0 | 0 | 1250000 | 1 | 0 | 0 | 0 | 0 | 2457600 | | |
| Don't care | Don't care | Don't care | 1 | 0 | 0 | 1666666 | Don't care | Don't care | 1 | 0 | 0 | 3276800 | | |
| | 0 | 0 | 0 | 0 | 0 | 375000 | 0 | 0 | 0 | 0 | 0 | 625000 | | |
| | 1 | 0 | 0 | 0 | 0 | 750000 | 1 | 0 | 0 | 0 | 0 | 1250000 | | |
| | 1 | 0 | 0 | 0 | 0 | 1500000 | 1 | 0 | 0 | 0 | 0 | 2500000 | | |
| Don't care | Don't care | Don't care | 1 | 0 | 0 | 2000000 | Don't care | Don't care | 1 | 0 | 0 | 3333333 | | |
| | 0 | 0 | 0 | 0 | 0 | 384000 | 0 | 0 | 0 | 0 | 0 | 781250 | | |
| | 1 | 0 | 0 | 0 | 0 | 768000 | 1 | 0 | 0 | 0 | 0 | 1562500 | | |
| | 1 | 0 | 0 | 0 | 0 | 1536000 | 1 | 0 | 0 | 0 | 0 | 3125000 | | |
| Don't care | Don't care | Don't care | 1 | 0 | 0 | 2048000 | Don't care | Don't care | 1 | 0 | 0 | 4166666 | | |
| | 0 | 0 | 0 | 0 | 0 | 437500 | 0 | 0 | 0 | 0 | 0 | 937500 | | |
| | 1 | 0 | 0 | 0 | 0 | 875000 | 1 | 0 | 0 | 0 | 0 | 1875000 | | |
| | 1 | 0 | 0 | 0 | 0 | 1750000 | 1 | 0 | 0 | 0 | 0 | 3750000 | | |
| Don't care | Don't care | Don't care | 1 | 0 | 0 | 2333333 | Don't care | Don't care | 1 | 0 | 0 | 5000000 | | |

Table 28.11 Maximum bit rate for each operating frequency in asynchronous mode (2 of 2)

| PCLKA (MHz) | SEMR settings | | | | | Maximum bit rate (bps) | PCLKA (MHz) | SEMR settings | | | | | Maximum bit rate (bps) |
|-------------|---------------|------------|-----------|---|---|------------------------|-------------|---------------|------------|-----------|---|---|------------------------|
| | BGDM bit | ABCS bit | ABCSE bit | n | N | | | BGDM bit | ABCS bit | ABCSE bit | n | N | |
| 16 | 0 | 0 | 0 | 0 | 0 | 500000 | 33 | 0 | 0 | 0 | 0 | 0 | 1031250 |
| | | 1 | 0 | 0 | 0 | 1000000 | | | 1 | 0 | 0 | 0 | 2062500 |
| | 1 | 0 | 0 | 0 | 0 | | | 1 | 0 | 0 | 0 | 0 | |
| | | 1 | 0 | 0 | 0 | 2000000 | | | 1 | 0 | 0 | 0 | 4125000 |
| | Don't care | Don't care | 1 | 0 | 0 | 2666666 | | Don't care | Don't care | 1 | 0 | 0 | 5500000 |
| 40 | 0 | 0 | 0 | 0 | 0 | 1250000 | | | | | | | |
| | | 1 | 0 | 0 | 0 | 2500000 | | | | | | | |
| | 1 | 0 | 0 | 0 | 0 | | | | 0 | 0 | 0 | 0 | |
| | | 1 | 0 | 0 | 0 | 5000000 | | | | | | | |
| | Don't care | Don't care | 1 | 0 | 0 | 6666666 | | | | | | | |

Table 28.12 Maximum bit rate with external clock input in asynchronous mode

| PCLKA (MHz) | External input clock (MHz) | Maximum bit rate (bps) | |
|-------------|----------------------------|------------------------|-------------------|
| | | SEMR.ABCS bit = 0 | SEMR.ABCS bit = 1 |
| | 8 | 2.0000 | 125000 |
| | 9.8304 | 2.4576 | 153600 |
| | 10 | 2.5000 | 156250 |
| | 12 | 3.0000 | 187500 |
| | 12.288 | 3.0720 | 192000 |
| | 14 | 3.5000 | 218750 |
| | 16 | 4.0000 | 250000 |
| | 17.2032 | 4.3008 | 268800 |
| | 18 | 4.5000 | 281250 |
| | 19.6608 | 4.9152 | 307200 |
| | 20 | 5.0000 | 312500 |
| | 25 | 6.2500 | 390625 |
| | 30 | 7.5000 | 468750 |
| | 33 | 8.2500 | 515625 |
| | 40 | 10.0000 | 625000 |

Table 28.13 BRR settings for different bit rates in clock synchronous and simple SPI modes (1 of 2)

| Bit rate (bps) | Operating frequency PCLKA (MHz) | | | | | | | | | | | | | | | |
|----------------|---------------------------------|-----|----|-----|----|-----|----|-----|----|-----|----|-----|----|-----|----|-----|
| | 8 | | 10 | | 16 | | 20 | | 25 | | 30 | | 33 | | 40 | |
| | n | N | n | N | n | N | n | N | n | N | n | N | n | N | n | N |
| 110 | | | | | | | | | | | | | | | | |
| 250 | 3 | 124 | — | — | 3 | 249 | | | | | | | | | | |
| 500 | 2 | 249 | — | — | 3 | 124 | — | — | | | 3 | 233 | | | | |
| 1 k | 2 | 124 | — | — | 2 | 249 | — | — | 3 | 97 | 3 | 116 | 3 | 128 | 3 | 155 |
| 2.5 k | 1 | 199 | 1 | 249 | 2 | 99 | 2 | 124 | 2 | 155 | 2 | 187 | 2 | 205 | 2 | 249 |
| 5 k | 1 | 99 | 1 | 124 | 1 | 199 | 1 | 249 | 2 | 77 | 2 | 93 | 2 | 102 | 2 | 124 |
| 10 k | 0 | 199 | 0 | 249 | 1 | 99 | 1 | 124 | 1 | 155 | 1 | 187 | 1 | 205 | 1 | 249 |
| 25 k | 0 | 79 | 0 | 99 | 0 | 159 | 0 | 199 | 0 | 249 | 1 | 74 | 1 | 82 | 1 | 99 |

Table 28.13 BRR settings for different bit rates in clock synchronous and simple SPI modes (2 of 2)

| Bit rate (bps) | Operating frequency PCLKA (MHz) | | | | | | | | | | | | | | | |
|----------------|---------------------------------|----|----|-----|----|----|----|-----|----|-----|----|-----|----|-----|----|----|
| | 8 | | 10 | | 16 | | 20 | | 25 | | 30 | | 33 | | 40 | |
| | n | N | n | N | n | N | n | N | n | N | n | N | n | N | n | N |
| 50 k | 0 | 39 | 0 | 49 | 0 | 79 | 0 | 99 | 0 | 124 | 0 | 149 | 0 | 164 | 1 | 49 |
| 100 k | 0 | 19 | 0 | 24 | 0 | 39 | 0 | 49 | 0 | 62 | 0 | 74 | 0 | 82 | 0 | 99 |
| 250 k | 0 | 7 | 0 | 9 | 0 | 15 | 0 | 19 | 0 | 24 | 0 | 29 | 0 | 32 | 0 | 39 |
| 500 k | 0 | 3 | 0 | 4 | 0 | 7 | 0 | 9 | — | — | 0 | 14 | — | — | 0 | 19 |
| 1 M | 0 | 1 | | | 0 | 3 | 0 | 4 | — | — | — | — | — | — | 0 | 9 |
| 2.5 M | | | 0 | 0*1 | | | 0 | 1 | — | — | 0 | 2 | — | — | 0 | 3 |
| 5 M | | | | | | | 0 | 0*1 | — | — | — | — | — | — | 0 | 1 |
| 7.5 M | | | | | | | | | | | 0 | 0*1 | | | | |

Space: Setting prohibited.

—: Can be set, but an error will occur.

Note 1. Continuous transmission or reception is impossible. After transmitting or receiving one frame of data, a 1-bit period elapses before starting to transmit or receive the next frame of data. The output of the synchronization clock is stopped for a 1-bit period. Therefore, it takes 9 bits worth of time to transfer one frame (8 bits) of data, and the average transfer rate is 8/9 times the bit rate.

Table 28.14 Maximum bit rate with external clock input in clock synchronous and simple SPI modes

| PCLKA (MHz) | External input clock (MHz) | Maximum bit rate (Mbps) |
|-------------|----------------------------|-------------------------|
| 8 | 1.3333 | 1.3333333 |
| 10 | 1.6667 | 1.6666667 |
| 12 | 2.0000 | 2.0000000 |
| 14 | 2.3333 | 2.3333333 |
| 16 | 2.6667 | 2.6666667 |
| 18 | 3.0000 | 3.0000000 |
| 20 | 3.3333 | 3.3333333 |
| 25 | 4.1667 | 4.1666667 |
| 30 | 5.0000 | 5.0000000 |
| 33 | 5.5000 | 5.5000000 |
| 40 | 6.6667 | 6.6666667 |

Table 28.15 BRR settings for various bit rates in smart card interface mode, n = 0, S = 372

| Bit rate (bps) | Operating frequency PCLKA (MHz) | | | | | | | | | | | |
|----------------|---------------------------------|---|-----------|-------|---|-----------|---------|---|-----------|-------|---|-----------|
| | 7.1424 | | | 10.00 | | | 10.7136 | | | 13.00 | | |
| | n | N | Error (%) | n | N | Error (%) | n | N | Error (%) | n | N | Error (%) |
| 9600 | 0 | 0 | 0.00 | 0 | 1 | -30 | 0 | 1 | -25 | 0 | 1 | -8.99 |
| Bit rate (bps) | Operating frequency PCLKA (MHz) | | | | | | | | | | | |
| | 14.2848 | | | 16.00 | | | 18.00 | | | 20.00 | | |
| | n | N | Error (%) | n | N | Error (%) | n | N | Error (%) | n | N | Error (%) |
| 9600 | 0 | 1 | 0.00 | 0 | 1 | 12.01 | 0 | 2 | -15.99 | 0 | 2 | -6.66 |
| Bit rate (bps) | Operating frequency PCLKA (MHz) | | | | | | | | | | | |
| | 25.00 | | | 30.00 | | | 33.00 | | | 40.00 | | |
| | n | N | Error (%) | n | N | Error (%) | n | N | Error (%) | n | N | Error (%) |
| 9600 | 0 | 3 | -12.49 | 0 | 3 | 5.01 | 0 | 4 | -7.59 | 0 | 5 | -6.66 |

Table 28.16 Maximum bit rate for each operating frequency in smart card interface mode, S = 32

| PCLKA (MHz) | Maximum bit rate (bps) | n | N |
|-------------|------------------------|---|---|
| 10.00 | 156250 | 0 | 0 |
| 10.7136 | 167400 | 0 | 0 |
| 13.00 | 203125 | 0 | 0 |
| 16.00 | 250000 | 0 | 0 |
| 18.00 | 281250 | 0 | 0 |
| 20.00 | 312500 | 0 | 0 |
| 25.00 | 390625 | 0 | 0 |
| 30.00 | 468750 | 0 | 0 |
| 33.00 | 515625 | 0 | 0 |
| 40.00 | 625000 | 0 | 0 |

Table 28.17 BRR settings for different bit rates in simple IIC mode

| Bit rate (bps) | Operating frequency PCLKA (MHz) | | | | | | | | | | | | | | |
|---------------------|---------------------------------|----|-----------|----|----|-----------|----|----|-----------|----|----|-----------|----|----|--------------------|
| | 8 | | | 10 | | | 16 | | | 20 | | | 25 | | |
| | n | N | Error (%) | n | N | Error (%) | n | N | Error (%) | n | N | Error (%) | n | N | Error (%) |
| 10 k | 0 | 24 | 0.0 | 0 | 30 | 0.8 | 1 | 12 | -3.8 | 1 | 15 | -2.3 | 1 | 19 | -2.3 |
| 25 k | 0 | 9 | 0.0 | 0 | 12 | -3.8 | 1 | 4 | 0.0 | 1 | 5 | 4.2 | 1 | 7 | -2.3 |
| 50 k | 0 | 4 | 0.0 | 0 | 5 | 4.2 | 1 | 2 | -16.7 | 1 | 2 | 4.2 | 1 | 3 | -2.3 |
| 100 k ^{*1} | 0 | 2 | -16.7 | 0 | 3 | -21.9 | 0 | 4 | 0.0 | 0 | 6 | -10.7 | 1 | 1 | -2.3 |
| 250 k | 0 | 0 | 0.0 | 0 | 0 | 25 | 0 | 1 | 0.0 | 0 | 2 | -16.7 | 0 | 2 | 4.2 |
| 350 k | | | | | | | | | | 0 | 1 | -10.7 | 0 | 1 | 11.6 ^{*2} |
| 400 k ^{*1} | | | | | | | | | | 0 | 1 | -21.9 | 0 | 1 | -2.3 ^{*2} |

| Bit rate (bps) | Operating frequency PCLKA (MHz) | | | | | | | | |
|---------------------|---------------------------------|----|-----------|----|----|-----------|----|-----|-----------|
| | 30 | | | 33 | | | 40 | | |
| | n | N | Error (%) | n | N | Error (%) | n | N | Error (%) |
| 10 k | 1 | 22 | 1.9 | 1 | 25 | -0.8 | 0 | 124 | 0.0 |
| 25 k | 1 | 8 | 4.2 | 1 | 9 | 3.1 | 0 | 49 | 0.0 |
| 50 k | 1 | 4 | -6.3 | 1 | 4 | 3.1 | 0 | 24 | 0.0 |
| 100 k ^{*1} | 1 | 2 | -21.9 | 1 | 2 | -14.1 | 0 | 12 | -3.9 |
| 250 k | 0 | 3 | -6.3 | 0 | 3 | 3.1 | 0 | 4 | 0.0 |
| 350 k | 0 | 2 | -10.7 | 0 | 2 | -1.8 | 0 | 3 | -10.7 |
| 400 k ^{*1} | 0 | 2 | -21.9 | 0 | 2 | -14.1 | 0 | 3 | -21.9 |

Note 1. The bit rate of 100 kbps and 400 kbps indicate the set value at which the error is on the negative side.

Note 2. The minimum value of the low width is smaller than 1.3 μs, which is standard value in the Fast mode.

Table 28.18 Minimum widths at high and low level for SCL at different bit rates in simple IIC mode (1 of 2)

| Bit rate (bps) | Operating frequency PCLKA (MHz) | | | | | | | | | | | |
|----------------|---------------------------------|----|--------------------------------------------|----|----|--------------------------------------------|----|----|--------------------------------------------|----|----|--------------------------------------------|
| | 8 | | | 10 | | | 16 | | | 20 | | |
| | n | N | Min. widths at high/low level for SCL (μs) | n | N | Min. widths at high/low level for SCL (μs) | n | N | Min. widths at high/low level for SCL (μs) | n | N | Min. widths at high/low level for SCL (μs) |
| 10 k | 0 | 24 | 43.75/50.00 | 0 | 30 | 43.40/49.60 | 1 | 12 | 45.5/52.00 | 1 | 15 | 44.80/51.20 |
| 25 k | 0 | 9 | 17.50/20.00 | 0 | 12 | 18.2/20.80 | 1 | 4 | 17.50/20.00 | 1 | 5 | 16.80/19.20 |
| 50 k | 0 | 4 | 8.75/10.00 | 0 | 5 | 8.40/9.60 | 1 | 2 | 10.50/12.00 | 1 | 2 | 8.40/9.60 |

Table 28.18 Minimum widths at high and low level for SCL at different bit rates in simple IIC mode (2 of 2)

| Bit rate (bps) | Operating frequency PCLKA (MHz) | | | | | | | | | | | |
|----------------|---------------------------------|---|--------------------------------------------|----|---|--------------------------------------------|----|---|--------------------------------------------|----|---|--------------------------------------------|
| | 8 | | | 10 | | | 16 | | | 20 | | |
| | n | N | Min. widths at high/low level for SCL (μs) | n | N | Min. widths at high/low level for SCL (μs) | n | N | Min. widths at high/low level for SCL (μs) | n | N | Min. widths at high/low level for SCL (μs) |
| 100 k | 0 | 2 | 5.25/6.00 | 0 | 3 | 5.60/6.40 | 0 | 4 | 4.38/5.00 | 0 | 6 | 4.90/5.60 |
| 250 k | 0 | 0 | 1.75/2.00 | 0 | 0 | 1.40/1.60 | 0 | 1 | 1.75/2.00 | 0 | 2 | 2.10/2.40 |
| 350 k | | | | | | | | | | 0 | 1 | 1.40/1.60 |
| 400 k | | | | | | | | | | 0 | 1 | 1.40/1.60 |

| Bit rate (bps) | Operating frequency PCLKA (MHz) | | | | | | | | | | | |
|----------------|---------------------------------|----|--------------------------------------------|----|----|--------------------------------------------|----|----|--------------------------------------------|----|-----|--------------------------------------------|
| | 25 | | | 30 | | | 33 | | | 40 | | |
| | n | N | Min. widths at high/low level for SCL (μs) | n | N | Min. widths at high/low level for SCL (μs) | n | N | Min. widths at high/low level for SCL (μs) | n | N | Min. widths at high/low level for SCL (μs) |
| 10 k | 1 | 19 | 44.80/51.20 | 1 | 22 | 42.93/49.60 | 1 | 25 | 44.12/50.42 | 0 | 124 | 43.75/50.00 |
| 25 k | 1 | 7 | 17.92/20.48 | 1 | 8 | 16.80/19.20 | 1 | 9 | 16.97/19.39 | 0 | 49 | 17.50/20.00 |
| 50 k | 1 | 3 | 8.96/10.24 | 1 | 4 | 9.33/10.66 | 1 | 4 | 8.48/9.70 | 0 | 24 | 8.75/10.00 |
| 100 k | 1 | 1 | 4.48/5.12 | 1 | 2 | 5.60/6.40 | 1 | 2 | 5.09/5.82 | 0 | 12 | 4.55/5.20 |
| 250 k | 0 | 2 | 1.68/1.92 | 0 | 3 | 1.86/2.13 | 0 | 3 | 1.70/1.94 | 0 | 4 | 1.75/2.00 |
| 350 k | 0 | 1 | 1.12/1.28*1 | 0 | 2 | 1.40/1.60 | 0 | 2 | 1.27/1.45 | 0 | 3 | 1.40/1.60 |
| 400 k | 0 | 1 | 1.12/1.28*1 | 0 | 2 | 1.40/1.60 | 0 | 2 | 1.27 /1.45 | 0 | 3 | 1.40/1.60 |

Note 1. The minimum value of the low width is smaller than 1.3 μs, which is the standard value of the Fast mode. The setting values are the same as in Table 28.17.

28.2.18 Modulation Duty Register (MDDR)

Address(es): SCI0.MDDR 4007 0012h, SCI1.MDDR 4007 0032h, SCI2.MDDR 4007 0052h, SCI9.MDDR 4007 0132h



Value after reset: 1 1 1 1 1 1 1 1

MDDR corrects the bit rate adjusted by the BRR register.

When the BRME bit in SEMR is set to 1, the bit rate generated by the on-chip baud rate generator is evenly corrected according to the settings of MDDR (M/256). Table 28.19 lists the relationship between the MDDR setting (M) and the bit rate (B).

The initial value of MDDR is FFh. Bit [7] in this register is fixed to 1.

The CPU can read the MDDR register, but this register is only writable when the TE and RE bits in SCR/SCR_SMCI are 0.

Table 28.19 Relationship between MDDR setting (M) and bit rate (B) when bit rate modulation function is used

| Mode | SEMR settings | | | BRR setting | Error |
|----------------------------------------|---------------|------------|-----------|--------------------------------------------------------------------------------|------------------------------------------------------------------------------------------------------------------------------------|
| | BGDM bit | ABCS bit | ABCSE bit | | |
| Asynchronous, multi-processor transfer | 0 | 0 | 0 | $N = \frac{PCLKA \times 10^6}{64 \times 2^{2n-1} \times (256/M) \times B} - 1$ | $Error (\%) = \left\{ \frac{PCLKA \times 10^6}{B \times 64 \times 2^{2n-1} \times (256/M) \times (N + 1)} - 1 \right\} \times 100$ |
| | 1 | 0 | 0 | $N = \frac{PCLKA \times 10^6}{32 \times 2^{2n-1} \times (256/M) \times B} - 1$ | $Error (\%) = \left\{ \frac{PCLKA \times 10^6}{B \times 32 \times 2^{2n-1} \times (256/M) \times (N + 1)} - 1 \right\} \times 100$ |
| | 0 | 1 | 0 | | |
| | 1 | 1 | 0 | $N = \frac{PCLKA \times 10^6}{16 \times 2^{2n-1} \times (256/M) \times B} - 1$ | $Error (\%) = \left\{ \frac{PCLKA \times 10^6}{B \times 16 \times 2^{2n-1} \times (256/M) \times (N + 1)} - 1 \right\} \times 100$ |
| | Don't care | Don't care | 1 | $N = \frac{PCLKA \times 10^6}{12 \times 2^{2n-1} \times (256/M) \times B} - 1$ | $Error (\%) = \left\{ \frac{PCLKA \times 10^6}{B \times 12 \times 2^{2n-1} \times (256/M) \times (N + 1)} - 1 \right\} \times 100$ |
| Clock-synchronous, simple SPI*1 | | | | $N = \frac{PCLKA \times 10^6}{8 \times 2^{2n-1} \times (256/M) \times B} - 1$ | |
| Smart card interface | | | | $N = \frac{PCLKA \times 10^6}{S \times 2^{2n+1} \times (256/M) \times B} - 1$ | $Error (\%) = \left\{ \frac{PCLKA \times 10^6}{B \times S \times 2^{2n+1} \times (256/M) \times (N + 1)} - 1 \right\} \times 100$ |
| Simple I ² C*2 | | | | $N = \frac{PCLKA \times 10^6}{64 \times 2^{2n-1} \times (256/M) \times B} - 1$ | |

B: Bit rate (bps).

M: MDDR setting (128 ≤ MDDR ≤ 255).

N: BRR setting for baud rate generator (0 ≤ N ≤ 255).

PCLKA: Operating frequency (MHz).

n and S: Determined by the settings of the SMR/SMR_SMCI and SCMR registers as listed in Table 28.7 and Table 28.8. See section 28.2.17, Bit Rate Register (BRR).

Note 1. Do not use this function in clock synchronous mode or in the highest speed settings in simple SPI mode (SMR.CKS[1:0] = 00b, SCR.CKE[1] = 0, and BRR = 0).

Note 2. Adjust the bit rate so that the widths at high and low level of the SCLn output in simple IIC mode satisfy the I²C standard.

Table 28.20 lists examples of N settings in BRR and M settings in MDDR in asynchronous mode.

Table 28.20 Examples of BRR and MDDR settings for various bit rates in asynchronous mode (1)

| Bit rate (bps) | Operating frequency PCLKA (MHz) | | | | | | | | | | | | | | |
|----------------|---------------------------------|---|-----|----------|-----------|--------|---|---------|----------|-----------|----|----|-----|----------|-----------|
| | 8 | | | | | 9.8304 | | | | | 16 | | | | |
| | n | N | M | BGDM bit | Error (%) | n | N | M | BGDM bit | Error (%) | n | N | M | BGDM bit | Error (%) |
| 38400 | 0 | 5 | 236 | 0 | 0.03 | 0 | 7 | (256)*1 | 0 | 0.00 | 0 | 10 | 173 | 1 | -0.01 |
| 57600 | 0 | 3 | 236 | 0 | 0.03 | 0 | 4 | 240 | 0 | 0.00 | 0 | 4 | 236 | 0 | 0.03 |
| 115200 | 0 | 1 | 236 | 0 | 0.03 | 0 | 1 | 192 | 0 | 0.00 | 0 | 4 | 236 | 1 | 0.03 |
| 230400 | 0 | 0 | 236 | 0 | 0.03 | 0 | 0 | 192 | 0 | 0.00 | 0 | 1 | 189 | 1 | 0.14 |
| 460800 | 0 | 0 | 236 | 1 | 0.03 | 0 | 0 | 192 | 1 | 0.00 | 0 | 0 | 189 | 1 | 0.14 |

| Bit rate (bps) | Operating frequency PCLKA (MHz) | | | | | | | | | | | | | | |
|----------------|---------------------------------|---|-----|----------|-----------|--------|---|---------|----------|-----------|----|----|-----|----------|-----------|
| | 12 | | | | | 12.288 | | | | | 14 | | | | |
| | n | N | M | BGDM bit | Error (%) | n | N | M | BGDM bit | Error (%) | n | N | M | BGDM bit | Error (%) |
| 38400 | 0 | 8 | 236 | 0 | 0.03 | 0 | 9 | (256)*1 | 0 | 0.00 | 0 | 16 | 191 | 1 | 0.00 |
| 57600 | 0 | 5 | 236 | 0 | 0.03 | 0 | 4 | 192 | 0 | 0.00 | 0 | 13 | 236 | 1 | 0.03 |
| 115200 | 0 | 2 | 236 | 0 | 0.03 | 0 | 4 | 192 | 1 | 0.00 | 0 | 6 | 236 | 1 | 0.03 |

| Bit rate (bps) | Operating frequency PCLKA (MHz) | | | | | | | | | | | | | | |
|----------------|---------------------------------|---|-----|----------|-----------|--------|---|-----|----------|-----------|----|---|-----|----------|-----------|
| | 12 | | | | | 12.288 | | | | | 14 | | | | |
| | n | N | M | BGDM bit | Error (%) | n | N | M | BGDM bit | Error (%) | n | N | M | BGDM bit | Error (%) |
| 230400 | 0 | 2 | 236 | 1 | 0.03 | 0 | 2 | 230 | 1 | -0.17 | 0 | 2 | 202 | 1 | -0.11 |
| 460800 | 0 | 0 | 157 | 1 | -0.18 | 0 | 0 | 154 | 1 | -0.26 | 0 | 0 | 135 | 1 | 0.14 |

| Bit rate (bps) | Operating frequency PCLKA (MHz) | | | | | | | | | | | | | | |
|----------------|---------------------------------|----|-----|----------|-----------|---------|----|---------|----------|-----------|----|----|-----|----------|-----------|
| | 16 | | | | | 17.2032 | | | | | 18 | | | | |
| | n | N | M | BGDM bit | Error (%) | n | N | M | BGDM bit | Error (%) | n | N | M | BGDM bit | Error (%) |
| 38400 | 0 | 11 | 236 | 0 | 0.03 | 0 | 13 | (256)*1 | 0 | 0.00 | 0 | 18 | 166 | 1 | -0.01 |
| 57600 | 0 | 7 | 236 | 0 | 0.03 | 0 | 6 | 192 | 0 | 0.00 | 0 | 18 | 249 | 1 | -0.01 |
| 115200 | 0 | 3 | 236 | 0 | 0.03 | 0 | 6 | 192 | 1 | 0.00 | 0 | 8 | 236 | 1 | 0.03 |
| 230400 | 0 | 1 | 236 | 0 | 0.03 | 0 | 3 | 219 | 1 | -0.20 | 0 | 1 | 210 | 0 | 0.14 |
| 460800 | 0 | 1 | 236 | 1 | 0.03 | 0 | 1 | 219 | 1 | -0.20 | 0 | 0 | 210 | 0 | 0.14 |

| Bit rate (bps) | Operating frequency PCLKA (MHz) | | | | | | | | | | | | | | |
|----------------|---------------------------------|----|---------|----------|-----------|----|----|-----|----------|-----------|----|----|-----|----------|-----------|
| | 19.6608 | | | | | 20 | | | | | 25 | | | | |
| | n | N | M | BGDM bit | Error (%) | n | N | M | BGDM bit | Error (%) | n | N | M | BGDM bit | Error (%) |
| 38400 | 0 | 15 | (256)*1 | 0 | 0.00 | 0 | 10 | 173 | 0 | -0.01 | 0 | 11 | 151 | 0 | 0.00 |
| 57600 | 0 | 9 | 240 | 0 | 0.00 | 0 | 9 | 236 | 0 | 0.03 | 0 | 7 | 151 | 0 | 0.00 |
| 115200 | 0 | 4 | 240 | 0 | 0.00 | 0 | 4 | 236 | 0 | 0.03 | 0 | 3 | 151 | 0 | 0.00 |
| 230400 | 0 | 1 | 192 | 0 | 0.00 | 0 | 4 | 236 | 1 | 0.03 | 0 | 1 | 151 | 0 | 0.00 |
| 460800 | 0 | 0 | 192 | 0 | 0.00 | 0 | 0 | 189 | 0 | 0.14 | 0 | 0 | 151 | 0 | 0.00 |

| Bit rate (bps) | Operating frequency PCLKA (MHz) | | | | | | | | | | | | | | |
|----------------|---------------------------------|----|-----|----------|-----------|----|----|-----|----------|-----------|----|----|-----|----------|-----------|
| | 30 | | | | | 33 | | | | | 40 | | | | |
| | n | N | M | BGDM bit | Error (%) | n | N | M | BGDM bit | Error (%) | n | N | M | BGDM bit | Error (%) |
| 38400 | 0 | 36 | 194 | 1 | 0.01 | 0 | 14 | 143 | 0 | 0.01 | 0 | 21 | 173 | 0 | -0.01 |
| 57600 | 0 | 10 | 173 | 0 | -0.01 | 0 | 9 | 143 | 0 | 0.01 | 0 | 38 | 230 | 1 | -0.01 |
| 115200 | 0 | 10 | 173 | 1 | -0.01 | 0 | 4 | 143 | 0 | 0.01 | 0 | 9 | 236 | 0 | 0.03 |
| 230400 | 0 | 6 | 220 | 1 | -0.09 | 0 | 4 | 143 | 1 | 0.01 | 0 | 4 | 236 | 0 | 0.03 |
| 460800 | 0 | 3 | 252 | 1 | 0.14 | 0 | 1 | 229 | 0 | 0.10 | 0 | 4 | 236 | 1 | 0.03 |

Note 1. This is an example when the ABCS and ABCSE in SEMR are 0.
SEMR.BRME = 0 (M = 256) disables the bit rate modulation function.

28.2.19 Serial Extended Mode Register (SEMR)

Address(es): SCI0.SEMR 4007 0007h, SCI1.SEMR 4007 0027h, SCI2.SEMR 4007 0047h, SCI9.SEMR 4007 0127h

| b7 | b6 | b5 | b4 | b3 | b2 | b1 | b0 |
|-------------|------|------|------|-------|------|----|----|
| RXDES EL | BGDM | NFEN | ABCS | ABCSE | BRME | — | — |

Value after reset: 0 0 0 0 0 0 0 0

| Bit | Symbol | Bit name | Description | R/W |
|--------|--------|------------------------------------------------|----------------------------------------------------------------------------------------------------------------------------------------------------------------------------------------------------------|-------|
| b1, b0 | — | Reserved | These bits are read as 0. The write value should be 0. | R/W |
| b2 | BRME | Bit Rate Modulation Enable | 0: Bit rate modulation function disabled 1: Bit rate modulation function enabled. | R/W*1 |
| b3 | ABCSE | Asynchronous Mode Extended Base Clock Select 1 | Valid only in asynchronous mode with SCR.CKE[1] = 0: 0: Clock cycle for 1-bit period is determined with combination of BGDM and ABCS in SEMR 1: Baud rate is 6 base clock cycles for 1-bit period. | R/W*1 |

| Bit | Symbol | Bit name | Description | R/W |
|-----|---------|----------------------------------------------|------------------------------------------------------------------------------------------------------------------------------------------------------------------------------------------------------------------------------------------------------------------------------------------------------------------------------------------------------------------------------------------------------------------------|-------------------|
| b4 | ABCS | Asynchronous Mode Base Clock Select | Valid only in asynchronous mode: 0: Selects 16 base clock cycles for 1-bit period 1: Selects 8 base clock cycles for 1-bit period. | R/W ^{*1} |
| b5 | NFEN | Digital Noise Filter Function Enable | In asynchronous mode: 0: Noise cancellation function for the RXDn input signal disabled 1: Noise cancellation function for the RXDn input signal enabled (in simple IIC mode) In simple IIC mode: 0: Noise cancellation function for the SCLn and SDAn input signals disabled 1: Noise cancellation function for the SCLn and SDAn input signals enabled. The NFEN bit must be 0 in all other modes. | R/W ^{*1} |
| b6 | BGDM | Baud Rate Generator Double-Speed Mode Select | Valid only in asynchronous mode with SCR.CKE[1] = 0: 0: Baud rate generator outputs the clock with single frequency 1: Baud rate generator outputs the clock with double frequency. | R/W ^{*1} |
| b7 | RXDESEL | Asynchronous Start Bit Edge Detection Select | Valid only in asynchronous mode: 0: A low level on the RXDn pin is detected as the start bit 1: A falling edge on the RXDn pin is detected as the start bit. | R/W ^{*1} |

Note 1. Writable only when TE in SCR/SCR_SMCI = 0 and RE in SCR/SCR_SMCI = 0 (both serial transmission and reception are disabled).

SEMR selects the clock source for 1-bit period in asynchronous mode.

BRME bit (Bit Rate Modulation Enable)

The BRME bit enables or disables the bit rate modulation function. The bit rate generated by on-chip baud rate generator is evenly corrected when this function is enabled.

ABCSE bit (Asynchronous Mode Extended Base Clock Select 1)

The pulse number for a base clock at 1-bit period is 6 and the double-frequency clock is output from the baud rate generator. When the bit rate is set to 6 while dividing the bus clock frequency, use the ABCSE bit and set SMR.CKS[1:0] to 00b and BRR to 0. Set this bit to 0 except in asynchronous mode.

ABCS bit (Asynchronous Mode Base Clock Select)

The ABCS bit selects the clock cycles for a 1-bit period. Set this bit to 0 except in asynchronous mode.

NFEN bit (Digital Noise Filter Function Enable)

The NFEN bit enables or disables the digital noise filter function.

When the digital noise filter function is enabled:

- Noise cancellation is applied to the RXDn input signal in asynchronous mode
- Noise cancellation is applied to the SDAn and SCLn input signals in simple IIC mode.

In any other mode, set the NFEN bit to 0 to disable the digital noise filter function. When the digital noise filter function is disabled, input signals are transferred as received.

BGDM bit (Baud Rate Generator Double-Speed Mode Select)

The BGDM bit selects the cycle of output clock for the baud rate generator to be either single or double frequency.

This bit is valid when the on-chip baud rate generator is selected as the clock source (SCR.CKE[1] = 0) in asynchronous mode (SMR.CM = 0). For the clock output from the baud rate generator, either normal or doubled frequency can be selected. The base clock is generated by the clock output from the baud rate generator. When the BGDM bit is set to 1, the base clock cycle is halved and the bit rate is doubled.

Set this bit to 0 in modes other than asynchronous mode.

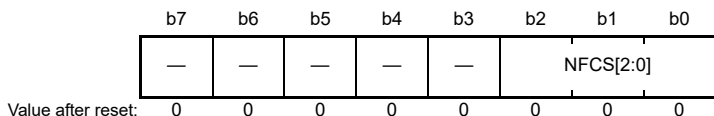
RXDESEL bit (Asynchronous Start Bit Edge Detection Select)

The RXDESEL bit selects the detection method of the start bit for reception in asynchronous mode. When a break occurs, set this bit to 1 to stop reception, or to start reception without retaining the RXDn pin input at high level for the period of one data frame or longer after completion of the break.

Set this bit to 0 in modes other than asynchronous mode.

28.2.20 Noise Filter Setting Register (SNFR)

Address(es): SCI0.SNFR 4007 0008h, SCI1.SNFR 4007 0028h, SCI2.SNFR 4007 0048h, SCI9.SNFR 4007 0128h



| Bit | Symbol | Bit name | Description | R/W |
|----------|-----------|---------------------------|-------------------------------------------------------------------------------------------------------------------------------------------------------------------------------------------------------------------------------------------------------------------------------------------------------------------------------------------------------------------------------------------------------------------------------------------------------------------------------------------------------------------------------------------------------------------------------------------------------------------------------------------------------------|-------|
| b2 to b0 | NFCS[2:0] | Noise Filter Clock Select | In asynchronous mode, the standard setting for the base clock is as follows: b2 b0 0 0 0: The clock signal divided by 1 is used with the noise filter. In simple IIC mode, the standard settings for the clock source of the on-chip baud rate generator selected by the SMR.CKS[1:0] bits are as follows: b2 b0 0 0 1: The clock signal divided by 1 is used with the noise filter 0 1 0: The clock signal divided by 2 is used with the noise filter 0 1 1: The clock signal divided by 4 is used with the noise filter 1 0 0: The clock signal divided by 8 is used with the noise filter. Other settings are prohibited. | R/W*1 |
| b7 to b3 | — | Reserved | These bits are read as 0. The write value should be 0. | R/W |

Note 1. Writing to these bits is only possible when the RE and TE bits in SCR/SCR_SMCI are 0 (serial reception and transmission disabled).

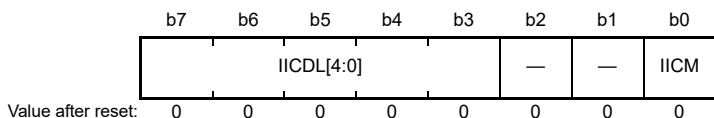
The SNFR register sets the digital noise filter clock.

NFCS[2:0] bits (Noise Filter Clock Select)

The NFCS[2:0] bits select the sampling clock for the digital noise filter. To use the noise filter in asynchronous mode, set these bits to 000b. In simple IIC mode, set the bits to a value in the range from 001b to 100b.

28.2.21 I²C Mode Register 1 (SIMR1)

Address(es): SCI0.SIMR1 4007 0009h, SCI1.SIMR1 4007 0029h, SCI2.SIMR1 4007 0049h, SCI9.SIMR1 4007 0129h



| Bit | Symbol | Bit name | Description | R/W |
|--------|--------|-------------------------------------|---------------------------------------------------------------------------------------------------------------------------------------------------------------------------------------------|-------|
| b0 | IICM | Simple I ² C Mode Select | SMIF IICM 0 0: Asynchronous mode, multi-processor mode, clock synchronous mode, or simple SPI mode 0 1: Simple IIC mode 1 0: Smart card interface mode 1 1: Setting prohibited. | R/W*1 |
| b2, b1 | — | Reserved | These bits are read as 0. The write value should be 0. | R/W |

| Bit | Symbol | Bit name | Description | R/W |
|----------|------------|-------------------------|------------------------------------------------------------------------------------------------------------------------------------------------------------------------------------------------------------------------------------------------------------------------------------------------------------------------------------------|-------|
| b7 to b3 | IICDL[4:0] | SDA Delay Output Select | The following cycles are of the clock signal from the on-chip baud rate generator: b7 b3 0 0 0 0: No output delay 0 0 0 1: 0 to 1 cycle 0 0 0 1 0: 1 to 2 cycles 0 0 0 1 1: 2 to 3 cycles 0 0 1 0 0: 3 to 4 cycles 0 0 1 0 1: 4 to 5 cycles :: 1 1 1 1 0: 29 to 30 cycles 1 1 1 1 1: 30 to 31 cycles. | R/W*1 |

Note 1. Writing to these bits is only possible when the RE and TE bits in SCR are 0 (both serial transmission and reception are disabled).

SIMR1 is used to select simple IIC mode and the number of delay stages for the SDA_n output.

IICM bit (Simple I²C Mode Select)

In combination with the SMIF bit in SCMR, this bit selects the operating mode.

IICDL[4:0] bits (SDA Delay Output Select)

The IICDL[4:0] bits set a delay for output on the SDA_n pin relative to the falling edge of the output on the SCL_n pin.

The available delay settings range from no delay to 31 cycles, with the clock signal from the on-chip baud rate generator as the base. The signal obtained by frequency-dividing PCLKA by the divisor set in SMR.CKS[1:0] is supplied as the clock signal from the on-chip baud rate generator. Set these bits to 00000b unless operation is in simple IIC mode. In simple IIC mode, set the bits to a value in the range from 00001b to 11111b.

28.2.22 I²C Mode Register 2 (SIMR2)

Address(es): SCI0.SIMR2 4007 000Ah, SCI1.SIMR2 4007 002Ah, SCI2.SIMR2 4007 004Ah, SCI9.SIMR2 4007 012Ah

| | b7 | b6 | b5 | b4 | b3 | b2 | b1 | b0 |
|--------------------|----|----|-------------|----|----|----|------------|-------------|
| | — | — | IICACK T | — | — | — | IICCS C | IICINT M |
| Value after reset: | 0 | 0 | 0 | 0 | 0 | 0 | 0 | 0 |

| Bit | Symbol | Bit name | Description | R/W |
|----------|---------|----------------------------------------|------------------------------------------------------------------------------------------|-------|
| b0 | IICINTM | I ² C Interrupt Mode Select | 0: Use ACK/NACK interrupts. 1: Use reception and transmission interrupts. | R/W*1 |
| b1 | IICCS | Clock Synchronization | 0: No synchronization with the clock signal 1: Synchronization with the clock signal. | R/W*1 |
| b4 to b2 | — | Reserved | These bits are read as 0. The write value should be 0. | R/W |
| b5 | IICACKT | ACK Transmission Data | 0: ACK transmission 1: NACK transmission and reception of ACK/NACK | R/W |
| b7, b6 | — | Reserved | These bits are read as 0. The write value should be 0. | R/W |

Note 1. Writing to these bits is only possible when the RE and TE bits in the SCR are 0 (serial reception and transmission disabled).

SIMR2 is used to select how reception and transmission are controlled in simple IIC mode.

IICINTM bit (I²C Interrupt Mode Select)

The IICINTM bit selects the sources of interrupt requests in simple IIC mode.

IICCS bit (Clock Synchronization)

Set the IICCS bit to 1 to synchronize the internally generated SCL_n clock signal when the SCL_n pin is driven low because of a wait inserted by another device, for example.

The SCLn clock signal is not synchronized if the IICCSC bit is 0. The SCLn clock signal is generated according to the rate selected in the BRR regardless of the level being input on the SCLn pin.

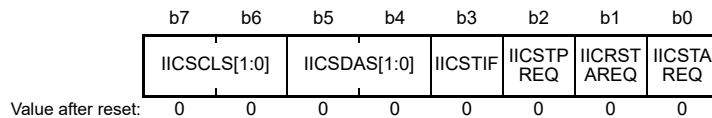
Set the IICCSC bit to 1 except during debugging.

IICACKT bit (ACK Transmission Data)

The IICACKT bit transmits data that contains ACK bits. Set this bit to 1 when ACK and NACK bits are received.

28.2.23 I²C Mode Register 3 (SIMR3)

Address(es): SCI0.SIMR3 4007 000Bh, SCI1.SIMR3 4007 002Bh, SCI2.SIMR3 4007 004Bh, SCI9.SIMR3 4007 012Bh



| Bit | Symbol | Bit name | Description | R/W |
|--------|--------------|-------------------------------------------------------------|------------------------------------------------------------------------------------------------------------------------------------------------------------------------------------------------------------|-------|
| b0 | IICSTAREQ | Start Condition Generation | 0: A start condition is not generated 1: A start condition is generated.*1, *3, *5, *6 | R/W |
| b1 | IICRSTAREQ | Restart Condition Generation | 0: A restart condition is not generated 1: A restart condition is generated.*2, *3, *5, *6 | R/W |
| b2 | IICSTPREQ | Stop Condition Generation | 0: A stop condition is not generated 1: A stop condition is generated.*2, *3, *5, *6 | R/W |
| b3 | IICSTIF | Issuing of Start, Restart, or Stop Condition Completed Flag | 0: There are no requests for generating conditions or a condition is being generated 1: A start, restart, or stop condition is completely generated. When 0 is written to IICSTIF, it is set to 0.*4 | R/W*4 |
| b5, b4 | IICSDAS[1:0] | SDA Output Select | b5 b4 0 0: Serial data output 0 1: Generate a start, restart, or stop condition 1 0: Output low level on the SDAn pin 1 1: Drive SDAn pin to high-impedance state. | R/W |
| b7, b6 | IICSCLS[1:0] | SCL Output Select | b7 b6 0 0: Serial clock output 0 1: Generate a start, restart, or stop condition 1 0: Output low level on the SCLn pin 1 1: Drive SCLn pin to high-impedance state. | R/W |

Note 1. Only generate a start condition after checking the bus state and confirming that it is free.

Note 2. Generate a restart or stop condition after checking the bus state and confirming that it is busy.

Note 3. Do not set more than one of the IICSTAREQ, IICRSTAREQ, and IICSTPREQ bits to 1 at a given time.

Note 4. Write only 0. When 1 is written, the value is ignored.

Note 5. Execute the generation of a condition after the value of the IICSTIF flag is 0.

Note 6. Do not write 0 to this bit while it is 1. Generation of a condition is suspended by writing 0 to this bit while it is 1.

IICSTAREQ bit (Start Condition Generation)

When a start condition is to be generated, set both the IICSDAS[1:0] and IICSCLS[1:0] bits to 01b and set the IICSTAREQ bit to 1.

[Setting condition]

- Writing 1 to the bit.

[Clearing condition]

- When generation of a start condition is complete.

IICRSTAREQ bit (Restart Condition Generation)

When a restart condition is to be generated, set both the IICSDAS[1:0] and IICSCLS[1:0] bits to 01b and set the IICRSTAREQ bit to 1.

[Setting condition]

- Writing 1 to the bit.

[Clearing condition]

- When generation of a restart condition is complete.

IICSTPREQ bit (Stop Condition Generation)

When a stop condition is to be generated, set both the IICSDAS[1:0] and IICSCLS[1:0] bits to 01b and set the IICSTPREQ bit to 1.

[Setting condition]

- Writing 1 to the bit.

[Clearing condition]

- Completion of generation of the stop condition.

IICSTIF flag (Issuing of Start, Restart, or Stop Condition Completed Flag)

After generating a condition, the IICSTIF flag indicates that the generation is complete. When using the IICSTAREQ, IICRSTAREQ, or IICSTPREQ bit to cause generation of a condition, do so after setting the IICSTIF flag to 0.

When the IICSTIF flag is 1 when an interrupt request is enabled by setting the SCR.TEIE bit, an STI request is output.

[Setting condition]

- When generation of a start, restart, or stop condition completes. If this conflicts with any of the conditions for clearing the flag, the clearing condition takes precedence.

[Clearing conditions]

- Writing 0 to the bit then, confirm that the IICSTIF flag is 0
- Writing 0 to the SIMR1.IICM bit when operation is not in simple IIC mode
- Writing 0 to the SCR.TE bit.

IICSDAS[1:0] bits (SDA Output Select)

The IICSDAS[1:0] bits control output from the SDA_n pin.

Set the IICSDAS[1:0] and IICSCLS[1:0] bits to the same value.

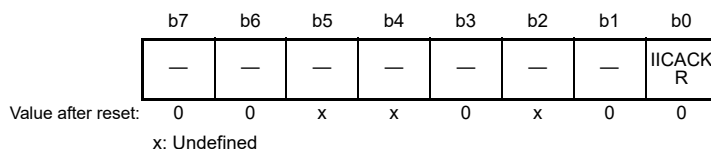
IICSCLS[1:0] bits (SCL Output Select)

The IICSCLS[1:0] bits control output from the SCL_n pin.

Set the IICSCLS[1:0] and IICSDAS[1:0] bits to the same value.

28.2.24 I²C Status Register (SISR)

Address(es): SCI0.SISR 4007 000Ch, SCI1.SISR 4007 002Ch, SCI2.SISR 4007 004Ch, SCI9.SISR 4007 012Ch



| Bit | Symbol | Bit name | Description | R/W |
|-----|---------|-------------------------|--------------------------------------|-----|
| b0 | IICACKR | ACK Reception Data Flag | 0: ACK received 1: NACK received. | R |
| b1 | — | Reserved | This bit is read as 0 | R |
| b2 | — | Reserved | The read value is undefined | R |

| Bit | Symbol | Bit name | Description | R/W |
|--------|--------|----------|-------------------------------|-----|
| b3 | — | Reserved | This bit is read as 0 | R |
| b5, b4 | — | Reserved | The read values are undefined | R |
| b7, b6 | — | Reserved | These bits are read as 0 | R |

SISR monitors the state in simple IIC mode.

IICACKR flag (ACK Reception Data Flag)

Received ACK and NACK bits can be read from the IICACKR flag. This flag is updated on the rising edge of the SCLn clock for the ACK/NACK receiving bit.

28.2.25 SPI Mode Register (SPMR)

Address(es): [SCI0.SPMR 4007 000Dh](#), [SCI1.SPMR 4007 002Dh](#), [SCI2.SPMR 4007 004Dh](#), [SCI9.SPMR 4007 012Dh](#)

| b7 | b6 | b5 | b4 | b3 | b2 | b1 | b0 |
|------|-------|----|-----|----|-----|------|-----|
| CKPH | CKPOL | — | MFF | — | MSS | CTSE | SSE |

Value after reset: 0 0 0 0 0 0 0 0

| Bit | Symbol | Bit name | Description | R/W |
|-----|--------------|-------------------------|--------------------------------------------------------------------------------------------------------------------------------------------------------------------------------------------|-------|
| b0 | SSE | SSn Pin Function Enable | 0: SSn pin function disabled 1: SSn pin function enabled. | R/W*1 |
| b1 | CTSE | CTS Enable | 0: CTS function disabled (RTS output function is enabled) 1: CTS function enabled. | R/W*1 |
| b2 | MSS | Master Slave Select | 0: Transmission is through the TXDn pin and reception is through the RXDn pin (master mode) 1: Reception is through the TXDn pin and transmission is through the RXDn pin (slave mode). | R/W*1 |
| b3 | — | Reserved | This bit is read as 0. The write value should be 0. | R/W |
| b4 | MFF | Mode Fault Flag | 0: No mode fault error 1: Mode fault error. | R/W*2 |
| b5 | — | Reserved | This bit is read as 0. The write value should be 0. | R/W |
| b6 | CKPOL | Clock Polarity Select | 0: Clock polarity is not inverted 1: Clock polarity is inverted. | R/W*1 |
| b7 | CKPH | Clock Phase Select | 0: Clock is not delayed 1: Clock is delayed. | R/W*1 |

Note 1. Writing to these bits is only possible when the RE and TE bits in SCR are 0 (both serial transmission and reception are disabled).

Note 2. Only 0 can be written to these bits to clear the flag.

SPMR selects the extension settings in asynchronous and clock synchronous modes.

SSE bit (SSn Pin Function Enable)

Set the SSE bit to 1 to use the SSn pin to control transmission and reception in simple SPI mode. Set this bit to 0 in any other mode. When master mode (SCR.CKE[1:0] = 00b and MSS = 0) is selected and there is a single master, the SSn pin on the master side is not required to control reception and transmission, therefore, the setting for the SSE bit is 0. Do not enable both the SSE and CTSE bits as the operation is the same as that when these bits are set to 0.

CTSE bit (CTS Enable)

Set the CTSE bit to 1 to use the SSn pin to input the CTS control signal to control transmission and reception. The RTS signal is output when this bit is set to 0. Set this bit to 0 in smart card interface mode, simple SPI mode, and simple IIC mode. Do not enable both the CTSE and SSE bits as the operation is the same as that when these bits are set to 0.

MSS bit (Master Slave Select)

The MSS bit selects between master and slave operation in simple SPI mode. The functions of the TXDn and RXDn pins are reversed when the MSS bit is set to 1, so that data is received through the TXDn pin and transmitted through the RXDn pin. Set this bit to 0 in modes other than simple SPI mode.

MFF flag (Mode Fault Flag)

The MFF flag indicates mode fault errors. In a multi-master configuration, determine the mode fault error occurrence by reading the MFF flag.

[Setting condition]

- When input on the SSn pin is low during master operation in simple SPI mode (SSE bit = 1 and MSS bit = 0).

[Clearing condition]

- Writing 0 to the flag after it is read as 1.

CKPOL bit (Clock Polarity Select)

The CKPOL bit selects the polarity of the clock signal output through the SCKn pin. See [Figure 28.70](#) for details.

Set the bit to 0 in modes other than simple SPI and clock synchronous modes.

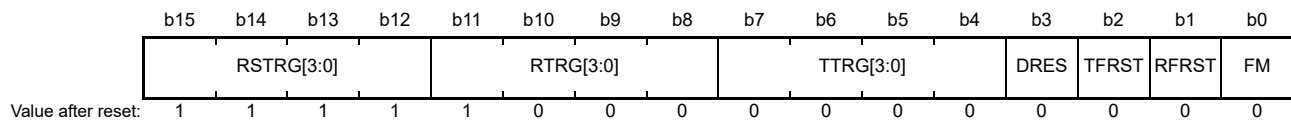
CKPH bit (Clock Phase Select)

The CKPH bit selects the phase of the clock signal output through the SCKn pin. See [Figure 28.70](#) for details.

Set the bit to 0 in modes other than simple SPI and clock synchronous modes.

28.2.26 FIFO Control Register (FCR)

Address(es): [SCI0.FCR 4007 0014h](#), [SCI1.FCR 4007 0034h](#)



| Bit | Symbol | Bit name | Description | R/W |
|----------|---------------------------|-------------------------------------|----------------------------------------------------------------------------------------------------------------------------------------------------------------------------------------------------------------------------|-------|
| b0 | FM | FIFO Mode Select | Valid only in asynchronous mode (including multi-processor) or clock synchronous mode: 0: Non-FIFO mode Selects TDR/RDR or TDRHL/RDRHL for communication 1: FIFO mode Selects FTDRHL/FRDRHL for communication. | R/W*1 |
| b1 | RFRST | Receive FIFO Data Register Reset | Valid only when FCR.FM = 1: 0: Do not reset FRDRHL 1: Reset FRDRHL | R/W |
| b2 | TFRST | Transmit FIFO Data Register Reset | Valid only when FCR.FM = 1: 0: Do not reset FTDRHL 1: Reset FTDRHL. | R/W |
| b3 | DRES | Receive Data Ready Error Select Bit | When detecting a receive data ready, the interrupt request is selected: 0: Receive data full interrupt (SCIn_RXI) 1: Receive error interrupt (SCIn_ERI). | R/W |
| b7 to b4 | TTRG[3:0] | Transmit FIFO Data Trigger Number | Valid only in asynchronous mode (including multi-processor) or clock synchronous mode: 0000: Trigger number 0 : 1111: Trigger number 15. | R/W |

| Bit | Symbol | Bit name | Description | R/W |
|------------|------------|-----------------------------------------|------------------------------------------------------------------------------------------------------------------------------------------------------------------------------------------------------|-----|
| b11 to b8 | RTRG[3:0] | Receive FIFO Data Trigger Number | Valid only in asynchronous mode (including multi-processor) or clock synchronous mode: 0000: Trigger number 0 : 1111: Trigger number 15. | R/W |
| b15 to b12 | RSTRG[3:0] | RTS Output Active Trigger Number Select | Valid only in asynchronous mode (including multi-processor) or clock synchronous mode, while FCR.FM = 1, SPMR.CTSE = 0, and SPMR.SSE = 0: 0000: Trigger number 0 : 1111: Trigger number 15. | R/W |

Note 1. Writable only when TE = 0 and RE = 0.

FCR selects FIFO mode, resets FTDRHL/FRDRHL, selects the FIFO data trigger number of transmission or reception, and selects the RTS output active trigger number.

FM bit (FIFO Mode Select)

When the FM bit is set to 1, FTDRHL and FRDRHL are selected for communication. When the FM bit is set to 0, TDR and RDR or TDRHL and RDRHL are selected for communication.

RFRST bit (Receive FIFO Data Register Reset)

The FRDRHL register is reset when the RFRST bit is set to 1, and the receive data count is reset to 0. After writing 1, this bit is set to 0 after 1 PCLKA.

TFRST bit (Transmit FIFO Data Register Reset)

The FTDRHL register is reset when the TFRST bit is set to 1, and the transmit data count is reset to 0. After writing 1, this bit is set to 0 after 1 PCLKA.

DRES bit (Receive Data Ready Error Select Bit)

On detecting a reception data ready, the DRES bit selects the interrupt request from an SCIn_RXI interrupt request or an SCIn_ERI interrupt request. Set the DRES bit is set to 1 when starting the DMAC or DTC and reading the FRDRH and FRDRL registers.

TTRG[3:0] bits (Transmit FIFO Data Trigger Number)

The TDFE flag is set to 1 when the amount of transmit data in the Transmit FIFO Data Register (FTDRHL) is equal to or less than the specified transmit triggering number, and software can write data to FTDRHL. If SCR.TIE = 1, SCIn_TXI interrupt request occurred.

RTRG[3:0] bits (Receive FIFO Data Trigger Number)

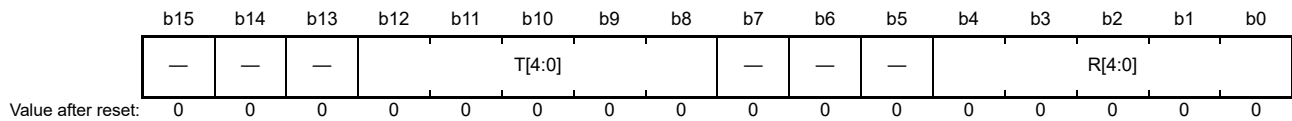
The RDF flag is set to 1 when the amount of receive data in the Receive FIFO Data Register (FRDRHL) is equal to or greater than the specified receive triggering number, and software can read data from FRDRHL. If SCR.RIE = 1, SCIn_RXI interrupt request occurred. When RTRG[3:0] is set to 0, the RDF flag is not set even when the amount of the data in receive FIFO is equal to 0. Additionally, an SCIn_RXI interrupt does not occur.

RSTRG[3:0] bits (RTS Output Active Trigger Number Select)

When the amount of receive data stored in the receive FIFO Data Register (FRDRHL) is equal to or greater than the specified receive triggering number, the RTS signal is high. When RSTRG[3:0] is set to 0, the RTS signal is not high even when the amount of the data in receive FIFO is equal to 0.

28.2.27 FIFO Data Count Register (FDR)

Address(es): SCI0.FDR 4007 0016h, SCI1.FDR 4007 0036h



| Bit | Symbol | Bit name | Description | R/W |
|------------|--------|--------------------------|--------------------------------------------------------------------------------------------------------------------------------------------------------------------|-----|
| b4 to b0 | R[4:0] | Receive FIFO Data Count | Indicates the amount of receive data stored in FRDRHL. Valid only in asynchronous mode, including multi-processor or clock synchronous mode, when FCR.FM = 1. | R |
| b7 to b5 | — | Reserved | These bits are read as 0 | R |
| b12 to b8 | T[4:0] | Transmit FIFO Data Count | Indicates the amount of non-transmit data stored in FTDRHL. Valid only in asynchronous mode, including multi-processor or clock synchronous mode, when FCR.FM = 1. | R |
| b15 to b13 | — | Reserved | These bits are read as 0 | R |

The FDR register indicates the amount of data stored in FRDRHL/FTDRHL.

R[4:0] bits (Receive FIFO Data Count)

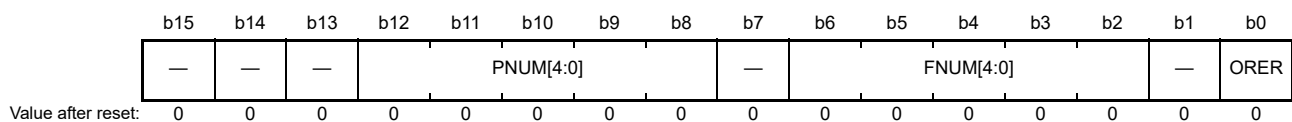
The R[4:0] bits indicate the amount of receive data stored in FRDRHL. A value of 00h means no receive data, and 10h means that the maximum received data is stored in FRDRHL.

T[4:0] bits (Transmit FIFO Data Count)

The T[4:0] bits indicate the amount of non-transmitted data stored in FTDRHL. A value of 00h means no transmit data, and 10h means that all (maximum count) of the data to be transmitted is stored in FTDRHL.

28.2.28 Line Status Register (LSR)

Address(es): SCI0.LSR 4007 0018h, SCI1.LSR 4007 0038h



| Bit | Symbol | Bit name | Description | R/W |
|------------|-----------|---------------------|----------------------------------------------------------------------------------------------------------------------------------------------------------------------------|-----|
| b0 | ORER | Overrun Error Flag | Valid only in asynchronous mode, including multi-processor or clock synchronous mode, with FIFO selected: 0: No overrun error occurred 1: An overrun error occurred. | R*1 |
| b1 | — | Reserved | This bit is read as 0 | R |
| b6 to b2 | FNUM[4:0] | Framing Error Count | Indicates the amount of data with a framing error in the receive data stored in the Receive FIFO Data Register (FRDRHL) | R |
| b7 | — | Reserved | This bit is read as 0 | R |
| b12 to b8 | PNUM[4:0] | Parity Error Count | Indicates the amount of data with a parity error in the receive data stored in the Receive FIFO Data Register (FRDRHL) | R |
| b15 to b13 | — | Reserved | These bits are read as 0 | R |

Note 1. If this flag is 1, write 0 to SSR_FIFO.ORER to clear the flag.

The LSR register indicates the status of receive error.

ORER flag (Overrun Error Flag)

The ORER flag reflects the value in SSR_FIFO.ORER.

FNUM[4:0] bits (Framing Error Count)

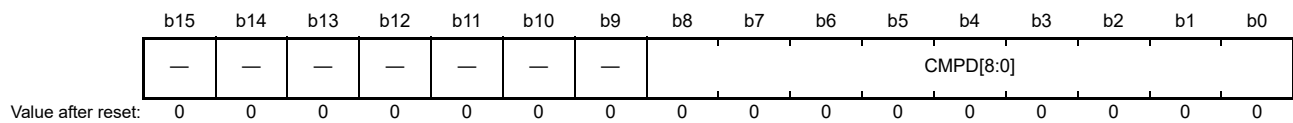
The value in FNUM[4:0] bits indicates the amount of data stored in the FRDRHL register with a framing error.

PNUM[4:0] bits (Parity Error Count)

The value in PNUM[4:0] bits indicates the amount of data stored in the FRDRHL register with a parity error.

28.2.29 Compare Match Data Register (CDR)

Address(es): SCI0.CDR 4007 001Ah, SCI1.CDR 4007 003Ah, SCI2.CDR 4007 005Ah, SCI9.CDR 4007 013Ah



| Bit | Symbol | Bit name | Description | R/W |
|-----------|-----------|--------------------|--------------------------------------------------------|-----|
| b8 to b0 | CMPD[8:0] | Compare Match Data | Compare data pattern for address match wakeup function | R/W |
| b15 to b9 | — | Reserved | These bits are read as 0. The write value should be 0. | R/W |

The CDR register sets the address match function.

CMPD[8:0] bits (Compare Match Data)

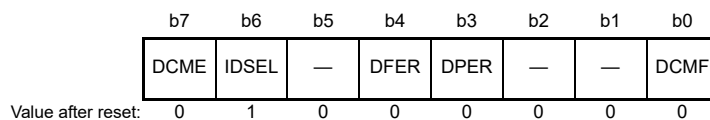
The CMPD[8:0] bits set the data to be compared to receive data for the address match function when the address match function is enabled (DCCR.DCME = 1).

Three bit lengths are available:

- CMPD[6:0] with 7-bit length
- CMPD[7:0] with 8-bit length
- CMPD[8:0] with 9-bit length.

28.2.30 Data Compare Match Control Register (DCCR)

Address(es): SCI0.DCCR 4007 0013h, SCI1.DCCR 4007 0033h, SCI2.DCCR 4007 0053h, SCI9.DCCR 4007 0133h



| Bit | Symbol | Bit name | Description | R/W |
|--------|--------|---------------------------------------|--------------------------------------------------------------|---------|
| b0 | DCMF | Data Compare Match Flag | 0: Not matched 1: Matched. | R/(W)*1 |
| b2, b1 | — | Reserved | These bits are read as 0. The write value should be 0. | R/W |
| b3 | DPER | Data Compare Match Parity Error Flag | 0: No parity error occurred 1: A parity error occurred. | R/(W)*1 |
| b4 | DFER | Data Compare Match Framing Error Flag | 0: No framing error occurred 1: A framing error occurred. | R/(W)*1 |
| b5 | — | Reserved | This bit is read as 0. The write value should be 0. | R/W |

| Bit | Symbol | Bit name | Description | R/W |
|-----|--------|---------------------------|----------------------------------------------------------------------------------------------------------------------------------------------------------------------------------------|-----|
| b6 | IDSEL | ID Frame Select | Valid only in asynchronous mode, including multi-processor: 0: Always compare data regardless of the value of the MPB bit 1: Compare data when the MPB bit is 1 (ID frame) only. | R/W |
| b7 | DCME | Data Compare Match Enable | Valid only in asynchronous mode, including multi-processor: 0: Address match function disabled 1: Address match function enabled. | R/W |

Note 1. Only 0 can be written to clear the flag after reading 1.

The DCCR sets control of the address match function.

DCMF flag (Data Compare Match Flag)

The DCMF flag indicates that the SCI detects a match of the comparison data (CDR.CMPD) with receive data.

[Setting condition]

- Match of the comparison data (CDR.CMPD) with receive data, when DCCR.DCME = 1.

[Clearing condition]

- When 0 is written after 1 is read from DCMF.

Clearing the RE bit to 0 in the Serial Control Register (SCR) does not affect the DCMF flag, which keeps its previous state.

DPER flag (Data Compare Match Parity Error Flag)

The DPER flag indicates that a parity error occurred at address match detection (reception data match detection).

[Setting condition]

- When a parity error is detected in the frame where an address match was detected.

[Clearing conditions]

- When 0 is written after 1 is read from DPER.

Clearing the RE bit in SCR to 0 (serial reception is disabled) does not affect the DPER flag, which keeps its previous value.

DFER flag (Data Compare Match Framing Error Flag)

The DFER flag indicates that a framing error occurred at address match detection (reception data match detection).

[Setting conditions]

- When a stop bit is 0 in the frame where an address match was detected.
- When in 2-stop mode, only the first stop bit is checked for a value of 1 while the second bit is not checked.

[Clearing conditions]

- When 0 is written after 1 is read from DFER.

When the RE bit in SCR is set to 0 (serial reception is disabled), the DFER flag is not affected and keeps its previous value.

IDSEL bit (ID Frame Select)

The IDSEL bit selects whether to compare data regardless of the value of the MPB bit or to compare data only when MPB = 1 (ID frame) when the address match function is enabled.

DCME bit (Data Compare Match Enable)

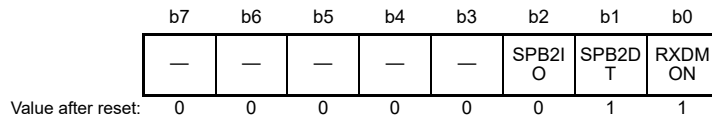
The DCME bit selects whether the address match function (data compare match function) is used or not.

If SCI detects a match between the comparison data (CDR.CMPD) with receive data, DCME is cleared automatically and the SCI operates in receive mode without the data compare match function. See [section 28.3.6, Address Match \(Receive Data Match Detection\) Function](#).

The write value should be 0 for any mode other than asynchronous mode.

28.2.31 Serial Port Register (SPTR)

Address(es): [SCI0.SPTR 4007 001Ch](#), [SCI1.SPTR 4007 003Ch](#), [SCI2.SPTR 4007 005Ch](#), [SCI9.SPTR 4007 013Ch](#)



| Bit | Symbol | Bit name | Description | R/W |
|----------|------------------------|-------------------------------|-------------------------------------------------------------------------------------------------------------------------------------------------------------------------|-----|
| b0 | RXDMON | Serial Input Data Monitor | The state of the RXDn pin: 0: RXDn pin is low 1: RXDn pin is high. | R |
| b1 | SPB2DT | Serial Port Break Data Select | The output level of TXDn pin when SCR.TE = 0: 0: Output low on TXDn pin 1: Output high on TXDn pin. | R/W |
| b2 | SPB2IO | Serial Port Break I/O | Selects whether the value of SPB2DT is output to TXDn pin: 0: The value of SPB2DT bit is not output to TXDn pin 1: The value of SPB2DT bit is output to TXDn pin. | R/W |
| b7 to b3 | — | Reserved | These bits are read as 0. The write value should be 0. | R/W |

The SPTR register provides confirmation of serial reception pin (RXDn pin) status and sets transmission pin (TXDn pin) status. This register can only be used in asynchronous mode.

The TXDn pin status is determined by the combination of SCR.TE, SPTR.SPB2IO, and SPTR.SPB2DT bit settings as indicated in [Table 28.21](#).

Table 28.21 TXDn pin status

| Value of SCR.TE | Value of SPTR.SPB2IO | Value of SPTR.SPB2DT | TXDn pin status |
|-----------------|----------------------|----------------------|------------------------------------|
| 0 | 0 | x | Hi-Z (initial value) |
| 0 | 1 | 0 | Low level output |
| 0 | 1 | 1 | High level output |
| 1 | x | x | Serial transmission data is output |

x: Don't care.

Note: Use the SPTR register in asynchronous mode only. Using this register in any other mode is not guaranteed.

28.3 Operation in Asynchronous Mode

[Figure 28.2](#) shows the general format for asynchronous serial communications.

One frame consists of a start bit (low level), transmit/receive data, a parity bit, and stop bits (high level). In asynchronous serial communications, the communications line is held in the mark state (high level) when not communicating.

The SCI monitors the communications line. When the SCI detects a low, it regards that as a start bit and starts serial communication.

Inside the SCI, the transmitter and receiver are independent units, enabling full-duplex communications. Both the transmitter and the receiver have a double-buffered structure in addition to FIFO mode, so that the data can be read or written during transmission or reception, enabling continuous data transmission and reception.

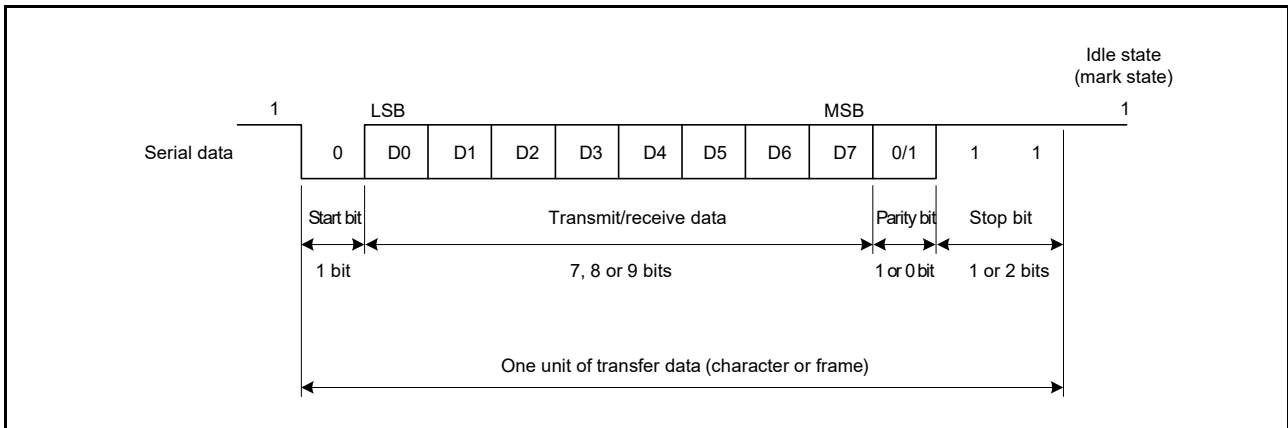


Figure 28.2 Data format in asynchronous serial communications with 8-bit data, parity bit, and 2 stop bits

28.3.1 Serial Data Transfer Format

Table 28.22 lists the serial data transfer formats that can be used in asynchronous mode. Any of the 18 transfer formats can be selected with the SMR and SCMR settings. For details on the multi-processor function, see section 28.4, Multi-Processor Communications Function.

Table 28.22 Serial transfer formats in asynchronous mode (1 of 2)

| SCMR setting | SMR setting | | | | Serial transfer format and frame length | | | | | | | | | | | | | | | | | |
|--------------|-------------|-----|----|----|-----------------------------------------|---|------------|---|---|---|---|---|---|------|------|------|------|------|--|--|--|--|
| | CHR1 | CHR | PE | MP | STOP | 1 | 2 | 3 | 4 | 5 | 6 | 7 | 8 | 9 | 10 | 11 | 12 | 13 | | | | |
| 0 | 0 | 0 | 0 | 0 | 0 | S | 9-bit data | | | | | | | | STOP | | | | | | | |
| 0 | 0 | 0 | 0 | 1 | 1 | S | 9-bit data | | | | | | | | STOP | | STOP | | | | | |
| 0 | 0 | 1 | 0 | 0 | 0 | S | 9-bit data | | | | | | | | P | STOP | | | | | | |
| 0 | 0 | 1 | 0 | 1 | 1 | S | 9-bit data | | | | | | | | P | STOP | | STOP | | | | |
| 1 | 0 | 0 | 0 | 0 | 0 | S | 8-bit data | | | | | | | STOP | | | | | | | | |
| 1 | 0 | 0 | 0 | 1 | 1 | S | 8-bit data | | | | | | | STOP | | STOP | | | | | | |
| 1 | 0 | 1 | 0 | 0 | 0 | S | 8-bit data | | | | | | | P | STOP | | | | | | | |
| 1 | 0 | 1 | 0 | 1 | 1 | S | 8-bit data | | | | | | | P | STOP | | STOP | | | | | |

Table 28.22 Serial transfer formats in asynchronous mode (2 of 2)

| SCMR setting | SMR setting | | | | Serial transfer format and frame length | | | | | | | | | | | | | |
|--------------|-------------|-----|----|----|-----------------------------------------|---|---|---|---|---|---|---|---|---|----|----|----|----|
| | CHR1 | CHR | PE | MP | STOP | 1 | 2 | 3 | 4 | 5 | 6 | 7 | 8 | 9 | 10 | 11 | 12 | 13 |
| 1 | 1 | 0 | 0 | 0 | 0 | | | | | | | | | | | | | |
| 1 | 1 | 0 | 0 | 1 | 1 | | | | | | | | | | | | | |
| 1 | 1 | 1 | 0 | 0 | 0 | | | | | | | | | | | | | |
| 1 | 1 | 1 | 0 | 1 | 1 | | | | | | | | | | | | | |
| 0 | 0 | - | 1 | 0 | 0 | | | | | | | | | | | | | |
| 0 | 0 | - | 1 | 1 | 1 | | | | | | | | | | | | | |
| 1 | 0 | - | 1 | 0 | 0 | | | | | | | | | | | | | |
| 1 | 0 | - | 1 | 1 | 1 | | | | | | | | | | | | | |
| 1 | 1 | - | 1 | 0 | 0 | | | | | | | | | | | | | |
| 1 | 1 | - | 1 | 1 | 1 | | | | | | | | | | | | | |

S: Start bit
 STOP: Stop bit
 P: Parity bit
 MPB: Multi-processor bit

28.3.2 Receive Data Sampling Timing and Reception Margin in Asynchronous Mode

In asynchronous mode, the SCI operates on a base clock with a frequency of 16 times*1 the bit rate.

In reception, the SCI samples the falling edge of the start bit using the base clock, and performs internal synchronization.

Because receive data is sampled on the rising edge of the 8th pulse*1 of the base clock, data is latched at the middle of each bit, as shown in Figure 28.3. The reception margin in asynchronous mode is determined by the following formula (1):

$$M = \left| \left(0.5 - \frac{1}{2N} \right) - (L - 0.5) F - \frac{|D - 0.5|}{N} (1 + F) \right| \times 100 [\%] \dots \text{Formula (1)}$$

M: Reception margin

N: Ratio of bit rate to clock

N = 16 when ABCSE in SEMR = 0 and ABCS in SEMR = 0

N = 8 when ABCS in SEMR = 1, N = 6 when ABCSE in SEMR = 1

D: Duty cycle of clock (D = 0.5 to 1.0)

L: Frame length (L = 9 to 13)

F: Absolute value of clock frequency deviation

Assuming values of F = 0 and D = 0.5 in formula (1), the reception margin is determined by the following formula:

$$M = \{0.5 - 1/(2 \times 16)\} \times 100 (\%) = 46.875\%$$

However, this is only the computed value, and a margin of 20% to 30% should be allowed in system design.

Note 1. In this example, the ABCS bit in SEMR is 0 and ABCSE bit in SEMR is 0. When the ABCS bit is 1 and the ABCSE bit is 0, a frequency of 8 times the bit rate is used as a base clock, and receive data is sampled on the rising edge of the 4th pulse of the base clock.

When the ABCSE bit is 1, a frequency of 6 times the bit rate is used a base clock and the receive data is sampled on the rising edge of the third pulse of the base clock.

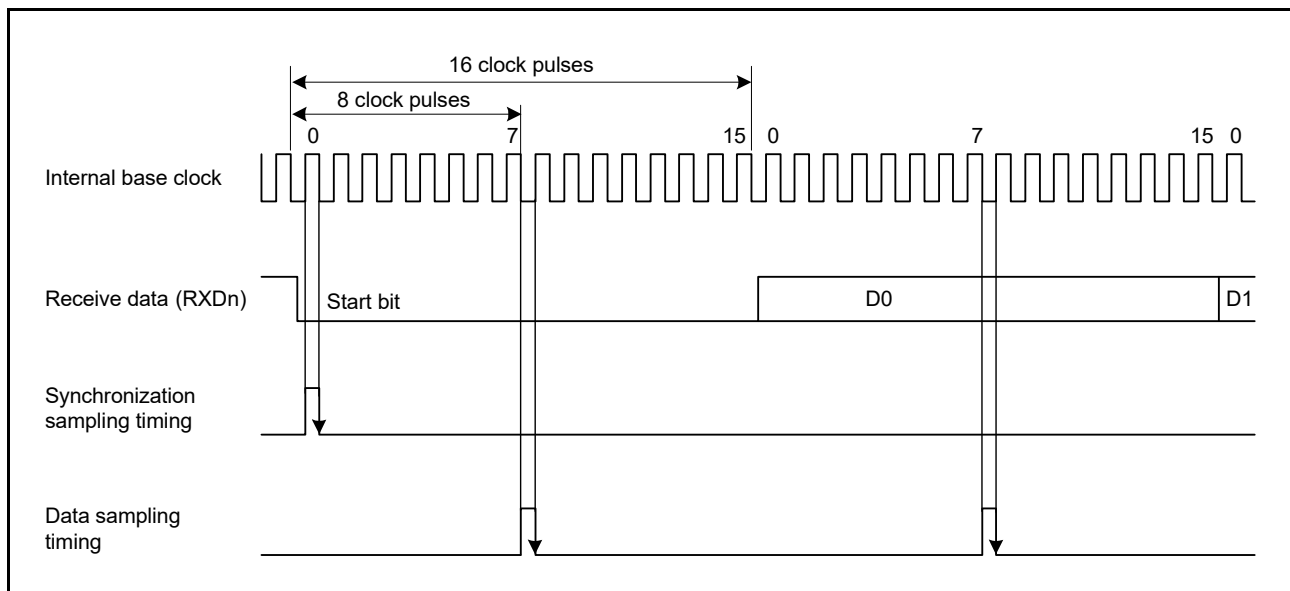


Figure 28.3 Receive data sampling timing in asynchronous mode

28.3.3 Clock

Either an internal clock generated by the on-chip baud rate generator or an external clock input to the SCKn pin can be selected as the SCI transfer clock based on the CM setting in SMR and the CKE[1:0] setting in SCR.

When an external clock is input to the SCKn pin, the clock frequency must be 16 times the bit rate (when ABCS in SEMR = 0) or 8 times the bit rate (when ABCS in SEMR = 1).

When the SCI uses its internal clock, the clock can be output from the SCKn pin. The frequency of the clock output in this case is equal to the bit rate, and the phase is such that the rising edge of the clock is in the middle of the transmit data, as shown in [Figure 28.4](#).

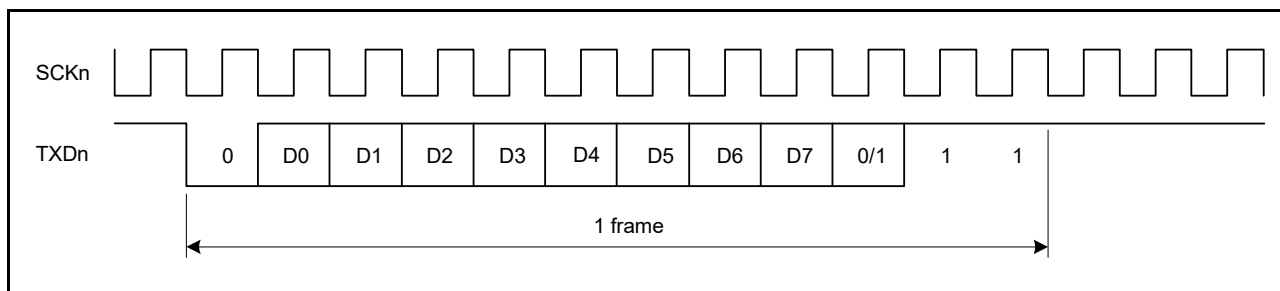


Figure 28.4 Phase relationship between output clock and transmit data in asynchronous mode when **SMR.CHR = 0, PE = 1, MP = 0, and STOP = 1**

28.3.4 Double-Speed Operation and Frequency of 6 Times the Bit Rate

When the ABCS bit in SEMR is set to 1 and eight pulses of the base clock for a 1-bit period is selected, the SCI operates on the bit rate twice that when ABCS is set to 0. When the BGDM bit in SEMR is set to 1, the cycle of the base clock is halved and the bit rate is doubled from that when BGDM is set to 0. When the CKE[1] bit in SCR is set to 0 and the on-chip baud rate generator is selected, setting the ABCS and BGDM bits to 1 allows the SCI to operate on a bit rate four times that when the ABCS and BGDM bits are set to 0. When the ABCSE bit in SEMR is set to 1, the number of base clock pulses are 6 during a period of 1 bit and SCI operates at 16/3 times that when SEMR.ABCS = 0, SEMR.BGDM = 0 and SMER.ABCSE = 0.

As shown by Formula (1) in [section 28.3.2, Receive Data Sampling Timing and Reception Margin in Asynchronous Mode](#), the reception margin decreases when the ABCS bit in SEMR is set to 1 or ABCSE bit in SEMR is set to 1. Therefore, if the target bit rate can be obtained with ABCS or ABCSE set to 0, it is recommended that you use the SCI with ABCS and ABCSE set to 0.

28.3.5 CTS and RTS Functions

The CTS function uses input on the CTSn_RTSn pin in transmission control. Setting the SPMR.CTSE bit to 1 enables the CTS function. When the CTS function is enabled, driving the CTSn_RTSn pin low causes transmission to start. Driving the CTSn_RTSn pin high while transmission is in progress does not affect transmission of the current frame.

In the RTS function that uses output on the CTSn_RTSn pin, a low level is output when reception becomes possible. Conditions for output of the low and high level are shown in this section.

[Conditions for low-level output]

(a) Non-FIFO selected, when all of the following conditions are satisfied

- The value of the RE bit in SCR is 1
- Reception is not in progress
- There is no received data yet to be read
- The ORER, FER, and PER flags in SSR are all 0.

(b) FIFO selected, when all of the following conditions are satisfied

- The value of the RE bit in SCR is 1
- When the amount of receive data written in FRDRHL is equal to or less than the specified receive triggering number
- The ORER flag in SSR_FIFO (ORER in the FRDRH) is 0.

[Condition for high-level output]

(a) Non-FIFO selected

- The conditions for low-level output are not satisfied.
- When reception is terminated with SCR.RE = 0 without reading the RDR register after reception is complete, RTS remains high. At this time, read the SCR register for dummy values after writing SCR.RE = 0.

(b) FIFO selected

- The conditions for low-level output are not satisfied.

28.3.6 Address Match (Receive Data Match Detection) Function

The address match function can be used only in asynchronous mode.

If the DCCR.DCME bit is set to 1*4, when one frame of data is received, the SCI compares that received data with the data set in CDR.CMPD. If SCI detects a match to the comparison data (CDR.CMPD*3) with the received data, the SCI can issue the SCIn_RXI interrupt request.

If the SMR.MP bit is set to 0, comparison occurs only for valid data in receive format. In multi-processor mode (SMR.MP = 1), if the DCCR.IDSEL bit is set to 1, receive data where the MPB bit is 1 is subject to comparison for address match. Receive data where the MPB bit is 0 is always treated as a mismatch.

If DCCR.IDSEL is set to 0, the SCI performs address match or mismatch regardless the value of the MPB bit of the received data. Until the SCI detects a match to the comparison data (CDR.CMPD*3) with receive data, received data is skipped (discarded), and the SCI cannot detect parity error or framing error. When the SCI detects a match, DCCR.DCME is automatically cleared, and DCCR.DCMF is set to 1.

If DCCR.IDSEL is set to 1, the SCR.MPIE bit is automatically cleared. If DCCR.IDSEL is set to 0, the value of SCR.MPIE bit is retained. If SCR.RIE is set to 1, the SCI issues an SCIn_RXI interrupt request. If the SCI detects a framing error in the receive data for which a match is detected, DCCR.DFER is set to 1, and if the SCI detects a parity error in that frame, DCCR.DPER is set to 1. The compared receive data is not stored in RDR*1, and SSR.RDRF remains 0.*2

After the SCI detects a match, and DCCR.DCME is automatically cleared, the SCI receives the next data continuously based on the current register setting.

When the DCCR.DFER flag or DCCR.DPER flag is set, the address match is not performed. Before enabling the address match function, set the DCCR.DFER and DCCR.DPER flags to 0.

An example of the address match function is shown in [Figure 28.5](#) and [Figure 28.6](#).

Note 1. When FCR.FM = 1, this refers to the FRDRHL register.

Note 2. When FCR.FM = 1, this refers to the SSR_FIFO.RDF flag.

Note 3. This comparative target can select one length of 3 types: CMPD[6:0] with 7-bit length, CMPD[7:0] with 8-bit length, and CMPD[8:0] with 9-bit length.

Note 4. Set the DCCR.DCME bit to 1 before receiving the start bit of the received frame that performs address matching.

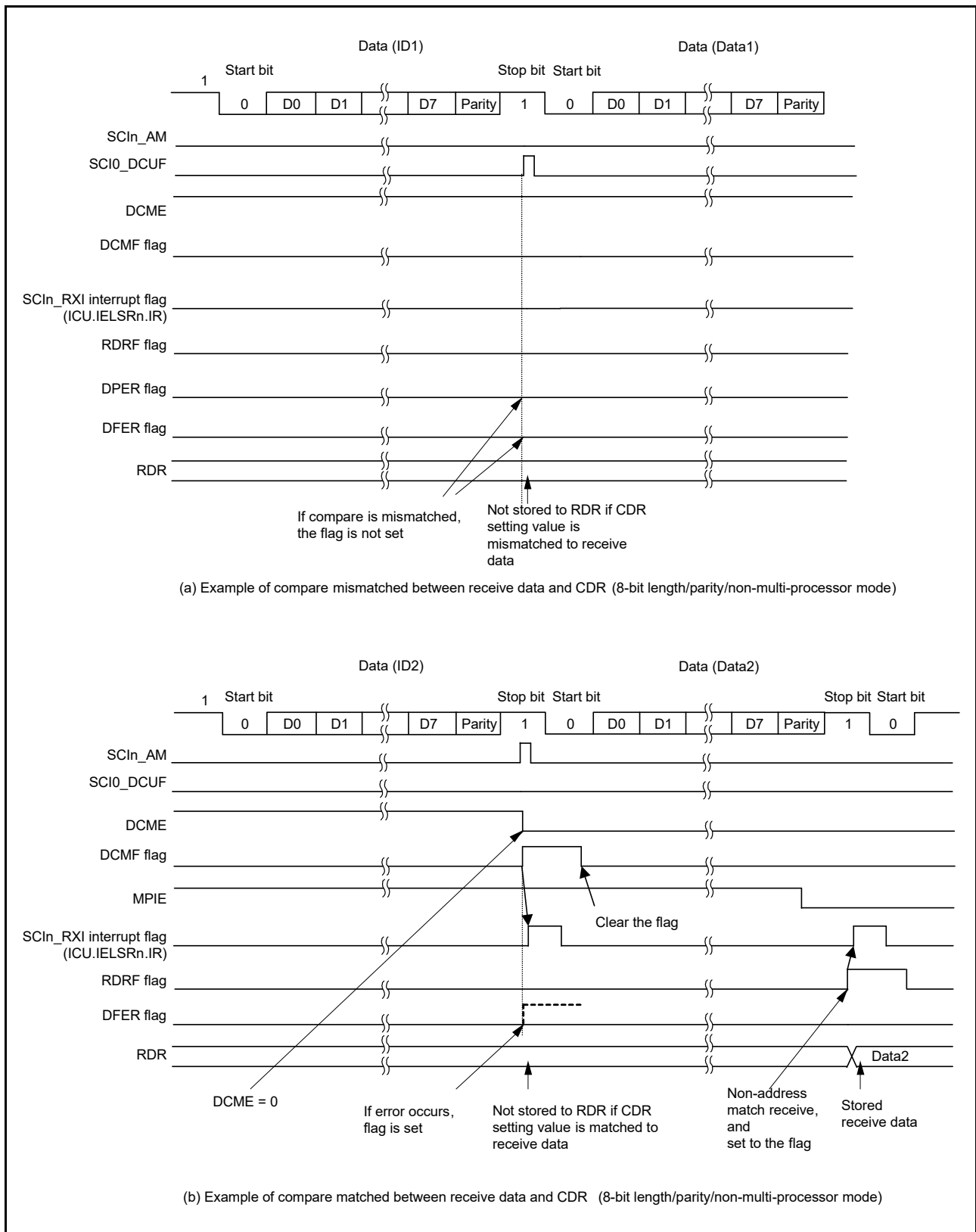


Figure 28.5 Example of address match (1) in non-multi-processor mode

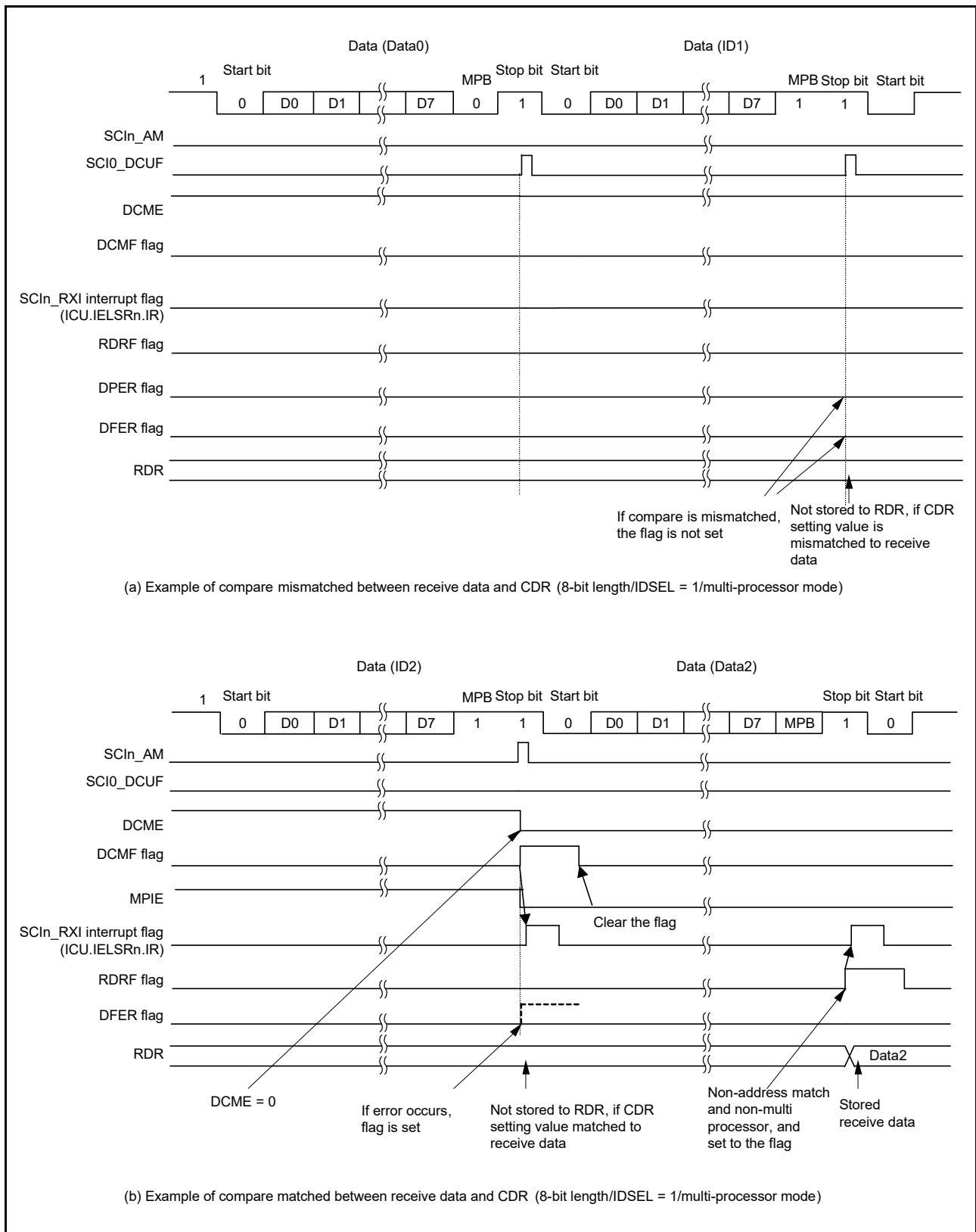


Figure 28.6 Example of address match (2) in multi-processor mode

28.3.7 SCI Initialization in Asynchronous Mode

Before transmitting and receiving data, start by writing the initial value 00h to SCR, then continue through the SCI procedure (select non-FIFO or FIFO) shown in Figure 28.7 and Figure 28.8. Whenever the operating mode or transfer format is to be changed, SCR must be initialized before a change is made.

When the external clock is used in asynchronous mode, ensure that the clock signal is supplied during initialization.

Note: When the SCR.RE bit is set to 0, the ORER, FER, RDRF, RDF, PER, and DR flags in SSR/SSR_FIFO, and the RDR and RDRHL registers are not initialized. When the SCR.TE bit is set to 0, the TEND flag for the selected FIFO buffer is not initialized.

Note: Switching the value of the SCR.TE bit from 1 to 0 or 0 to 1 while the SCR.TIE bit is 1 leads to the generation of an SCIn_TXI interrupt request.

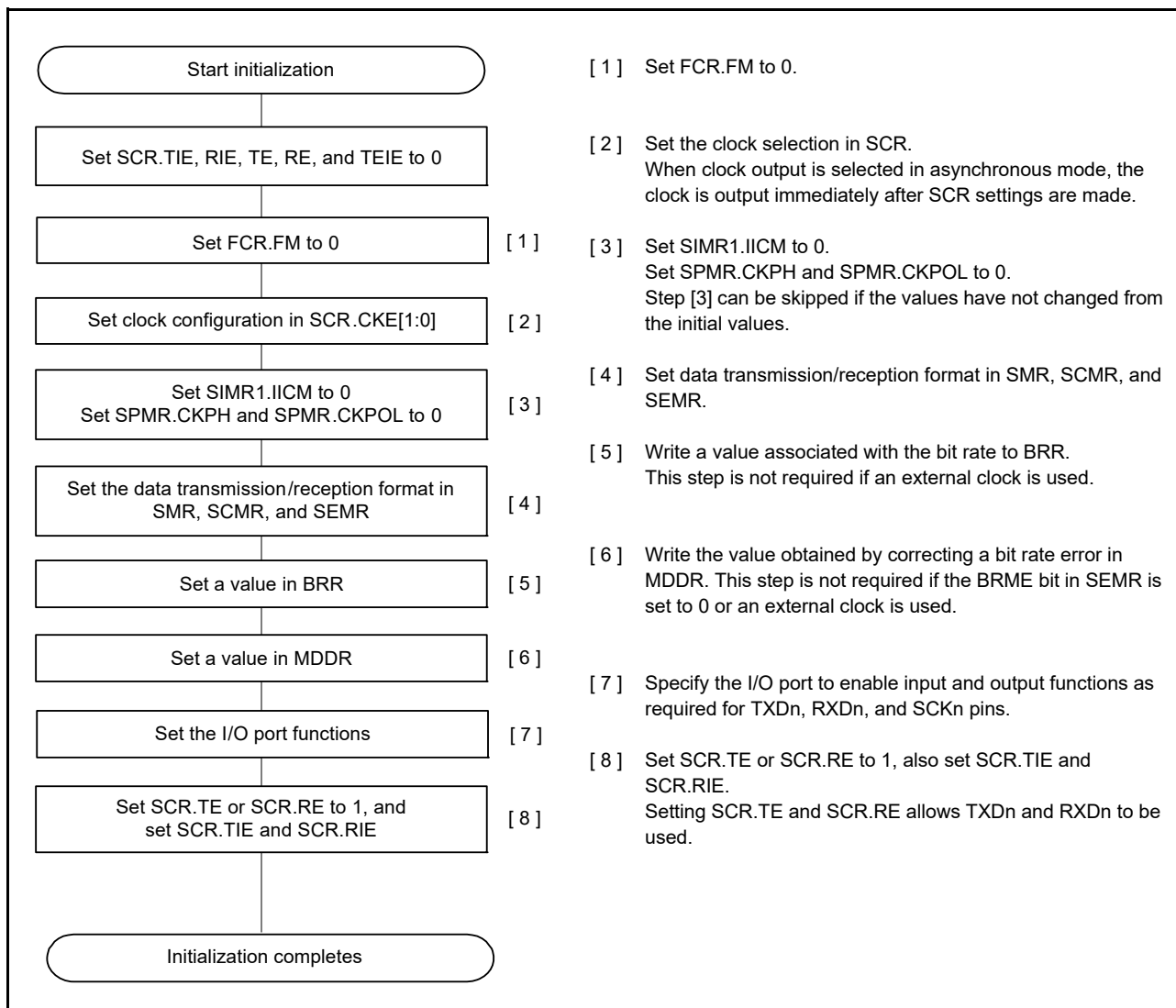


Figure 28.7 Example SCI initialization flow in asynchronous mode with non-FIFO selected

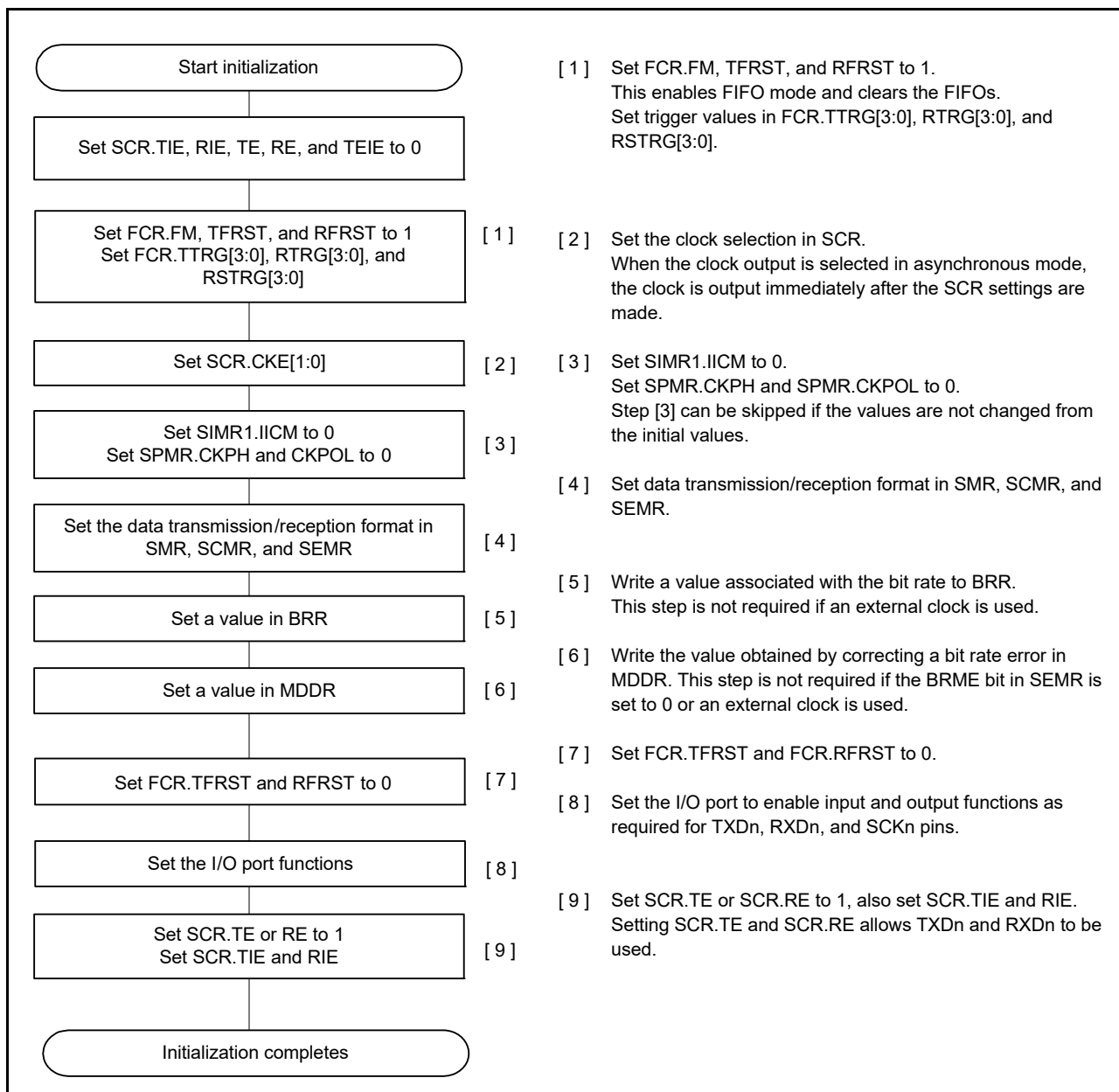


Figure 28.8 Example SCI initialization flow in asynchronous mode with FIFO selected

28.3.8 Serial Data Transmission (Asynchronous Mode)

(1) Non-FIFO selected

Figure 28.9, Figure 28.10, and Figure 28.11 show an example of serial transmission in asynchronous mode.

In serial transmission, the SCI operates as described in this section. When the SCR.TE bit is set to 1, the high level for one frame (preamble) is output to TXD.

1. The SCI transfers data from TDR*1 to TSR when data is written to TDR*1 in the SCIn_TXI interrupt handling routine.
The SCIn_TXI interrupt request at the beginning of transmission is generated when the TE and TIE bits in SCR are set to 1 simultaneously by a single instruction.
2. Transmission starts after the CTSE bit in SPMR is set to 0 (CTS function is disabled) or a low level on the CTSn_RTsn pin causes data transfer from TDR*1 to TSR. If the TIE bit in SCR is 1, an SCIn_TXI interrupt request is generated. Continuous transmission is possible by writing the next transmit data to TDR*1 in the SCIn_TXI interrupt handling routine before transmission of the current transmit data is complete. When SCIn_TEI interrupt

requests are in use, set SCR.TIE to 0 (an SCIn_TXI interrupt request is disabled) and SCR.TEIE to 1 (an SCIn_TEI interrupt request is enabled) after the last of the data to be transmitted is written to the TDR*1 from the handling routine for SCIn_TXI requests.

3. Data is sent from the TXDn pin in the following order:
 - Start bit
 - Transmit data
 - Parity bit or multi-processor bit (may be omitted depending on the format)
 - Stop bit.
4. The SCI checks for update of TDR on output of the stop bit.
5. When TDR is updated, setting the CTSE bit in SPMR to 0 (CTS function is disabled) or a low level input on the CTSn_RTSn pin causes transfer of the next transmit data from TDR*1 to TSR and transmission of the stop bit, after which serial transmission of the next frame starts.
6. If TDR is not updated, the TEND flag in SSR is set to 1, the stop bit is sent, and the mark state is entered in which 1 is output. If the TEIE bit in SCR is 1, the TEND flag in SSR is set to 1 and SCIn_TEI interrupt request is generated.

Note 1. Only write data to TDRHL when 9-bit data length is selected.

Figure 28.9 to Figure 28.12 show an example flow of serial transmission in asynchronous mode.

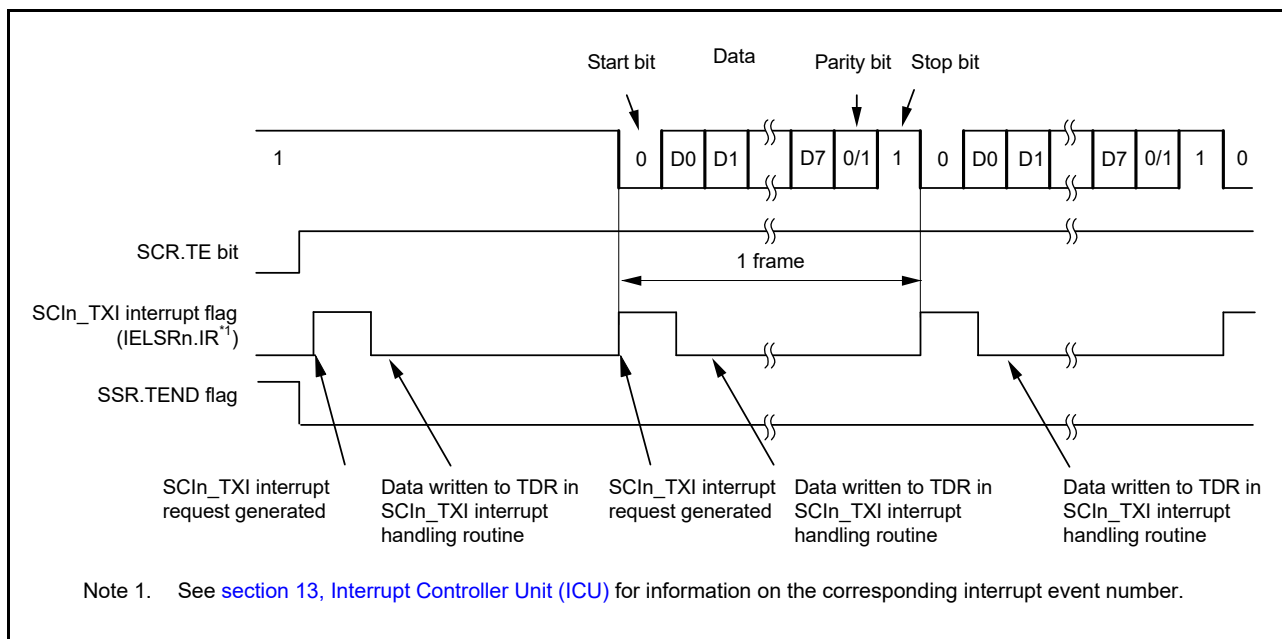


Figure 28.9 Example operation of serial transmission in asynchronous mode (1) with 8-bit data, parity bit, 1 stop bit, CTS function not used, and at the beginning of transmission

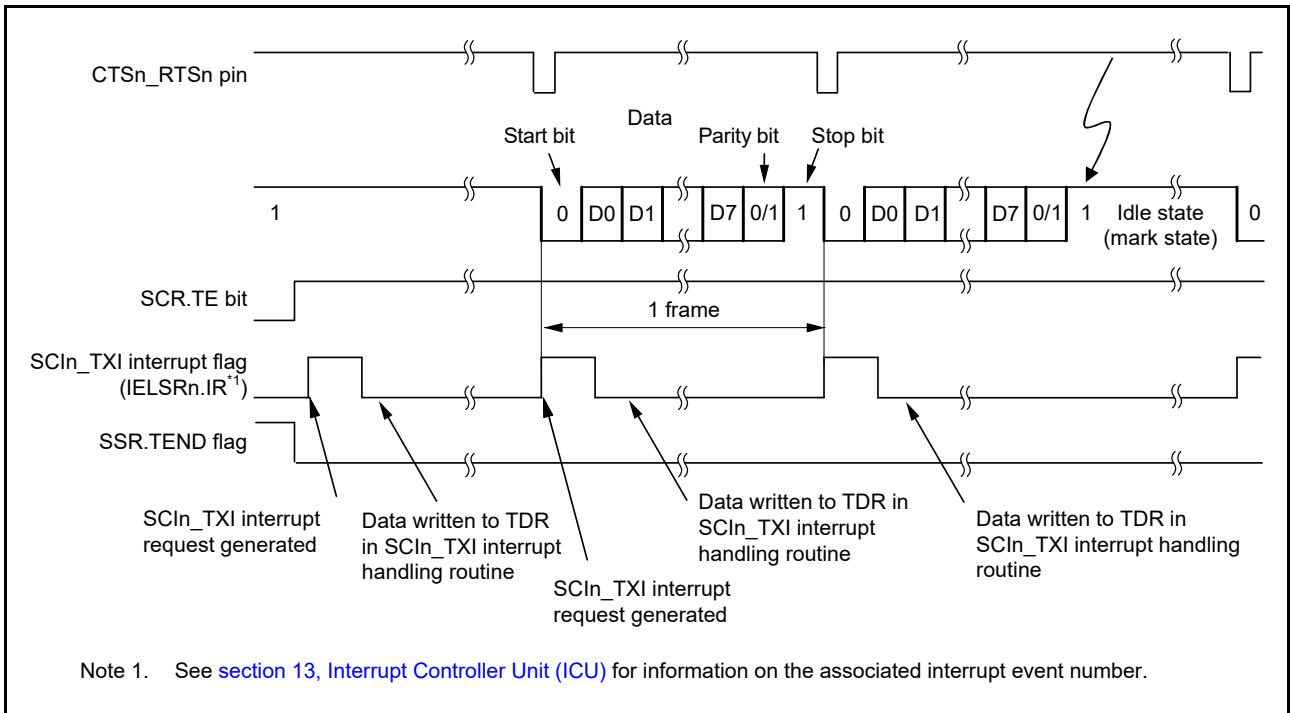


Figure 28.10 Example operation of serial transmission in asynchronous mode (2) with 8-bit data, parity bit, 1 stop bit, CTS function used, and at the beginning of transmission

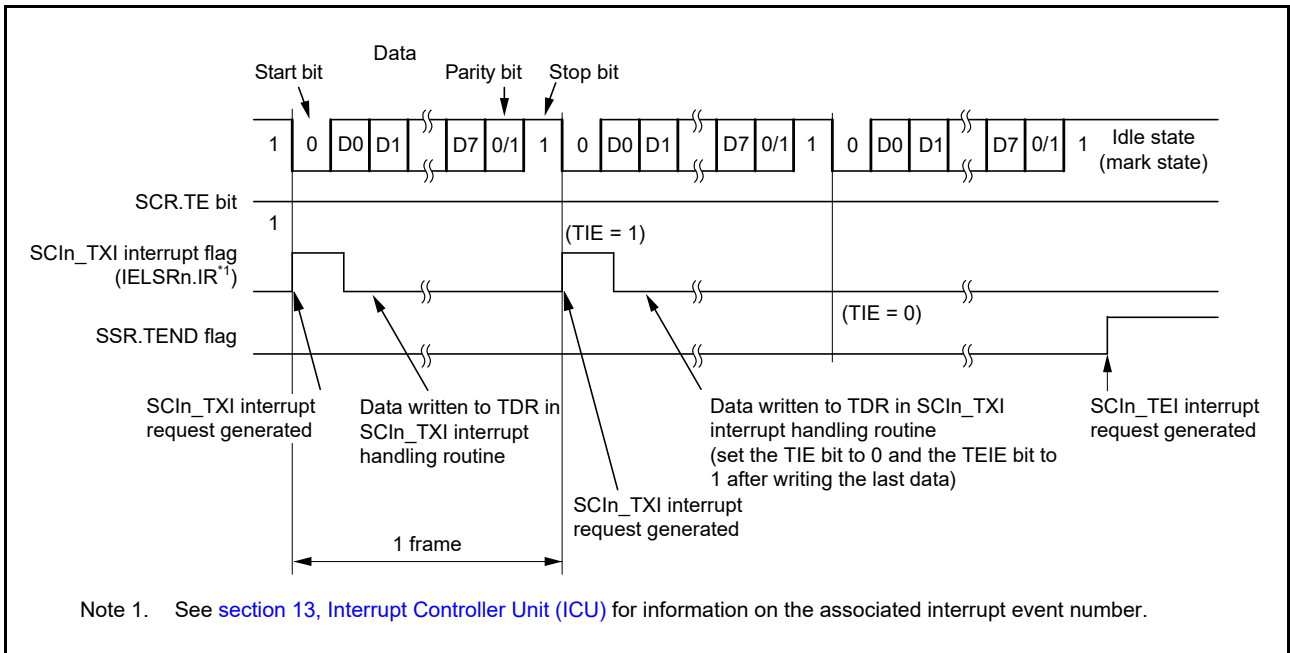


Figure 28.11 Example operation of serial transmission in asynchronous mode (3) with 8-bit data, parity bit, 1 stop bit, CTS function not used, and from the middle of transmission until transmission completion

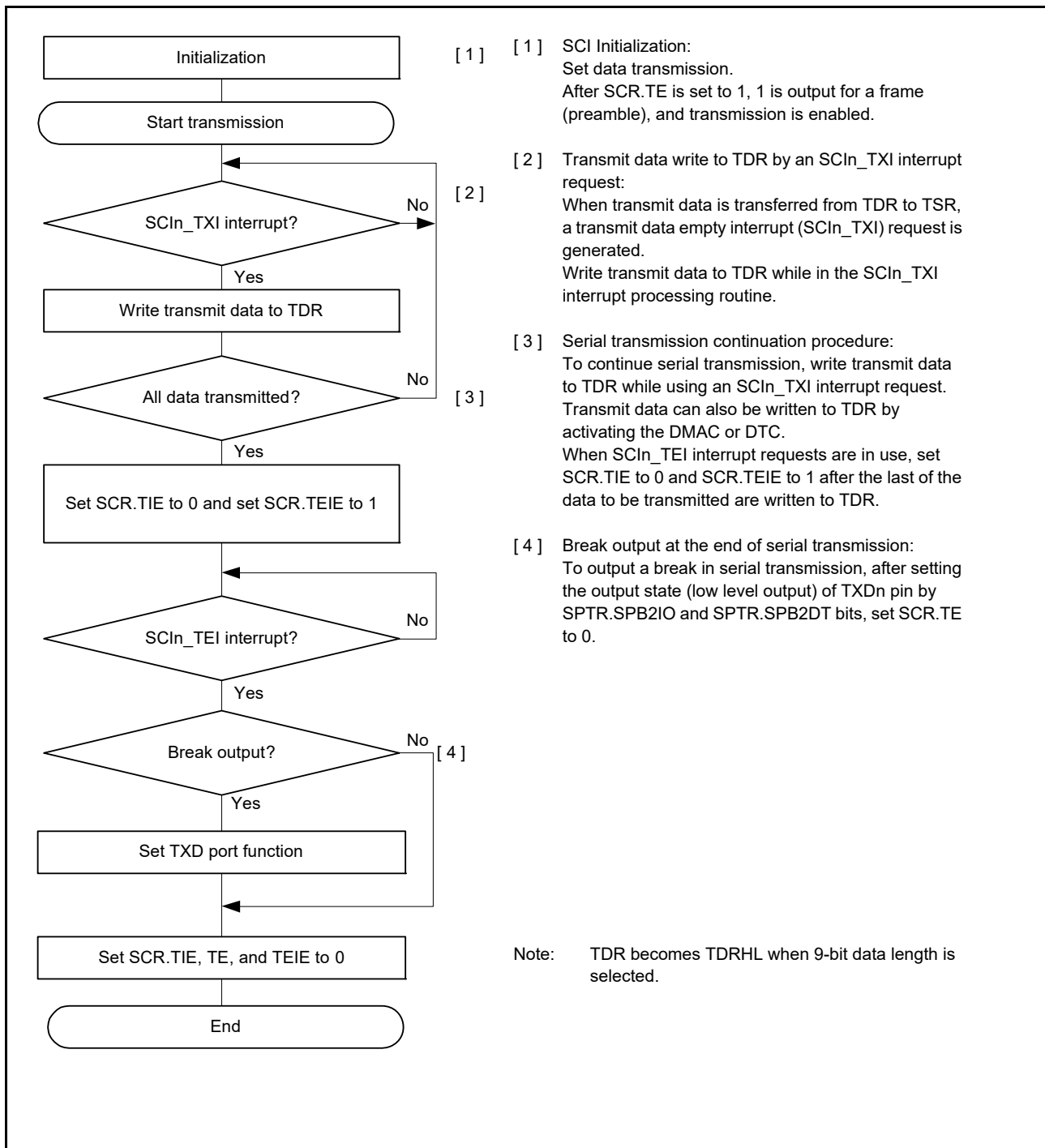


Figure 28.12 Example flow of serial transmission in asynchronous mode with non-FIFO selected

(2) FIFO selected

Figure 28.13 shows an example of a data format that is written to FTDRH and FTDRL in asynchronous mode.

Data that corresponds to the correct data length is set to FTDRH and FTDRL. Write 0 for unused bits. Write in order from FTDRH to FTDRL.

| Data Length | Register Setting | | Transmit data in FTDRH, FTDL | | | | | | | | | | | | | | | | |
|-------------|------------------|-------------|------------------------------|----|----|----|----|----|----|----|------|----|----|----|----|----|----|----|---------------------|
| | SCMR. CHR1 | SMR. CHR | FTDRHL | | | | | | | | | | | | | | | | |
| | | | FTDRH | | | | | | | | FTDL | | | | | | | | |
| | | | b7 | b6 | b5 | b4 | b3 | b2 | b1 | b0 | b7 | b6 | b5 | b4 | b3 | b2 | b1 | b0 | |
| 7 bits | 1 | 0 | — | — | — | — | — | — | — | — | — | — | — | — | — | — | — | — | 7-bit transmit data |
| 8 bits | 1 | 1 | — | — | — | — | — | — | — | — | — | — | — | — | — | — | — | — | 8-bit transmit data |
| 9 bits | 0 | Don't care | — | — | — | — | — | — | — | — | — | — | — | — | — | — | — | — | 9-bit transmit data |

—: Invalid. The write value should be 0.

Figure 28.13 Data format written to FTDRH and FTDL with FIFO selected

In serial transmission, the SCI operates as described in this section. When the SCR.TE bit is set to 1, the high level for one frame (preamble) is output to TXD.

- The SCI transfers data from FTDL*¹ to TSR when data is written to FTDL*¹ in the SCIn_TXI interrupt handling routine.
The amount of data that can be written to FTDL is 16 minus FDR.T[4:0] bytes. The SCIn_TXI interrupt request at the beginning of transmission is generated when the TE and TIE bits in SCR are set to 1 simultaneously by a single instruction.
- Transmission starts after the CTSE bit in SPMR is set to 0 (CTS function is disabled) and a low level on the CTSn_RTSn pin causes data transfer from FTDL*¹ to TSR. When the amount of transmit data written in FTDL is equal to or less than the specified transmit triggering number, SSR_FIFO.TDFE is set to 1. If the TIE bit in SCR is 1, an SCIn_TXI interrupt request is generated. Continuous transmission is possible by writing the next transmit data to FTDL*¹ in the SCIn_TXI interrupt handling routine before transmission of the current transmit data is complete. When SCIn_TEI interrupt requests are in use, set SCR.TIE to 0 (an SCIn_TXI interrupt request is disabled) and SCR.TEIE to 1 (an SCIn_TEI interrupt request is enabled) after the last of the data to be transmitted is written to the FTDL*^{1, *2} from the handling routine for SCIn_TXI requests.
- Data is sent from the TXDn pin in the following order:
 - Start bit
 - Transmit data
 - Parity bit or multi-processor bit (can be omitted depending on the format)
 - Stop bit.
- The SCI checks whether non-transmitted data remains in FTDL*³ or not on the output of the stop bit.
- When data is set to FTDL*³, setting of SPMR.CTSE to 0 (CTS function is disabled) or a low level input on the CTSn_RTSn pin causes transfer of the next transmit data from FTDL*¹ to TSR and transmission of the stop bit, after which serial transmission of the next frame starts.
- If data is not set in FTDL*³, the TEND flag in SSR_FIFO is set to 1, the stop bit is sent, and the mark state is entered where 1 is output. If the TEIE bit in SCR is 1, the TEND flag in SSR_FIFO is set to 1 and an SCIn_TEI interrupt request is generated.

Note 1. Write data to the FTDRH and FTDL registers when 9-bit data length is selected.

Note 2. Write data in order from FTDRH to FTDL when 9-bit data length is selected.

Note 3. The SCI only checks for update to the FTDL register and not the FTDRH register when 9-bit data length is selected.

Figure 28.14 shows an example flow of serial transmission in asynchronous mode when FIFO is selected.

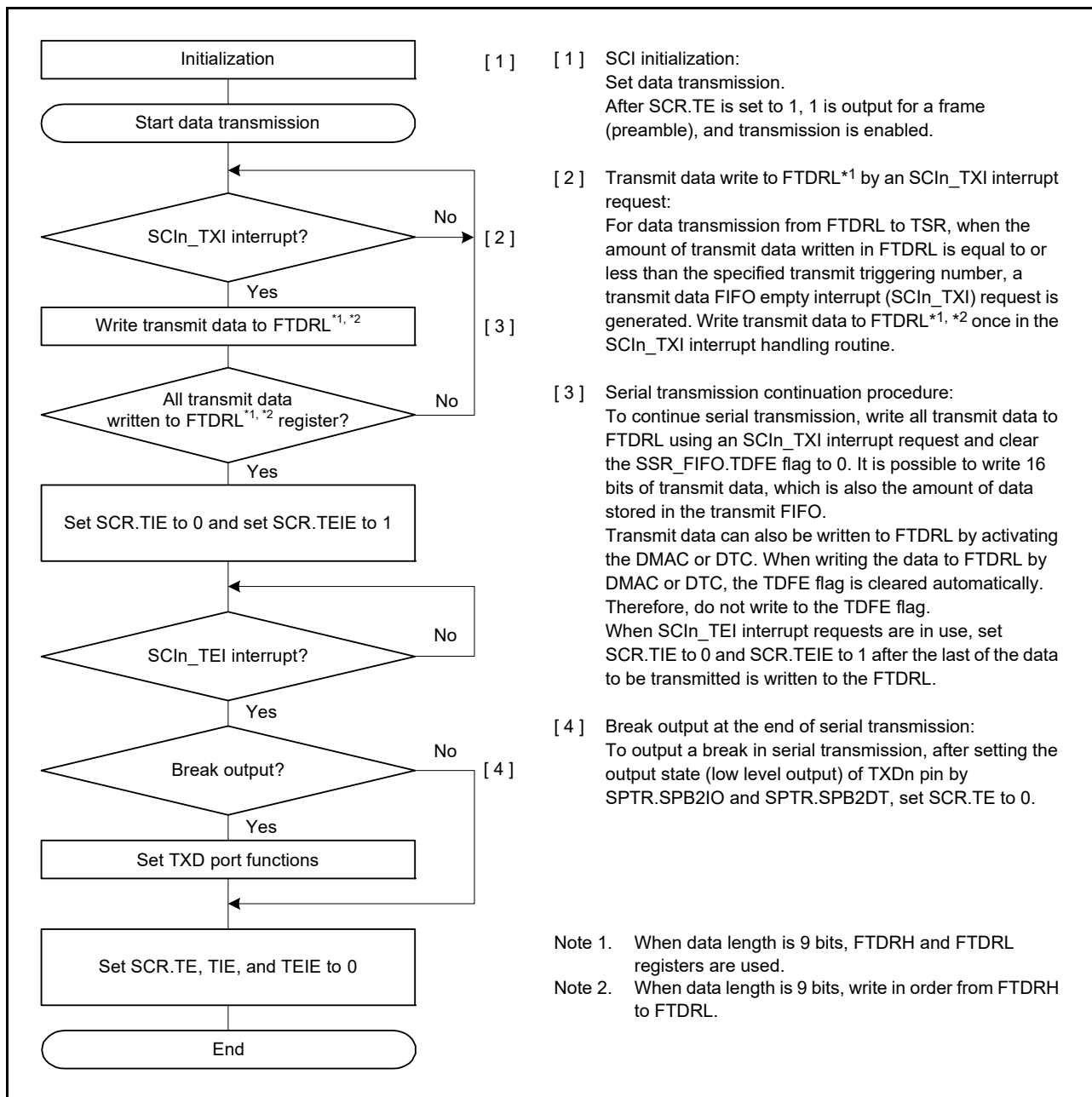


Figure 28.14 Example flow of serial transmission in asynchronous mode with FIFO selected

28.3.9 Serial Data Reception (Asynchronous Mode)

(1) Non-FIFO selected

Figure 28.15 and Figure 28.16 show an example of the operation for serial data reception in asynchronous mode.

In serial data reception, the SCI operates as follows:

1. When the value of the RE bit in SCR becomes 1, the output signal on the CTSn_RTSn pin goes low.
2. When the SCI monitors the communications line and detects a start bit, it performs internal synchronization, stores receive data in RSR, and checks the parity bit and stop bit.
3. If an overrun error occurs, the ORER flag in SSR is set to 1. If the RIE bit in SCR is 1, an SCIn_ERI interrupt request is generated. Receive data is not transferred to RDR*1.

4. If a parity error is detected, the PER flag in SSR is set to 1 and receive data is transferred to RDR*1. If the RIE bit in SCR is 1, an SCIn_ERI interrupt request is generated.
5. If a frame error is detected, the FER flag in the SSR is set to 1 and receive data is transferred to RDR*1. If the RIE bit in the SCR is 1, an SCIn_ERI interrupt request is generated.
6. When reception finishes successfully, receive data is transferred to RDR*1. If the RIE bit in the SCR is 1, an SCIn_RXI interrupt request is generated. Continuous reception is enabled by reading the receive data transferred to RDR in the SCIn_RXI interrupt handling routine before reception of the next receive data completes. Reading the received data that was transferred to RDR causes the CTSn_RTSn pin to output low.

Note 1. Only read data in RDRHL when 9-bit data length is selected.

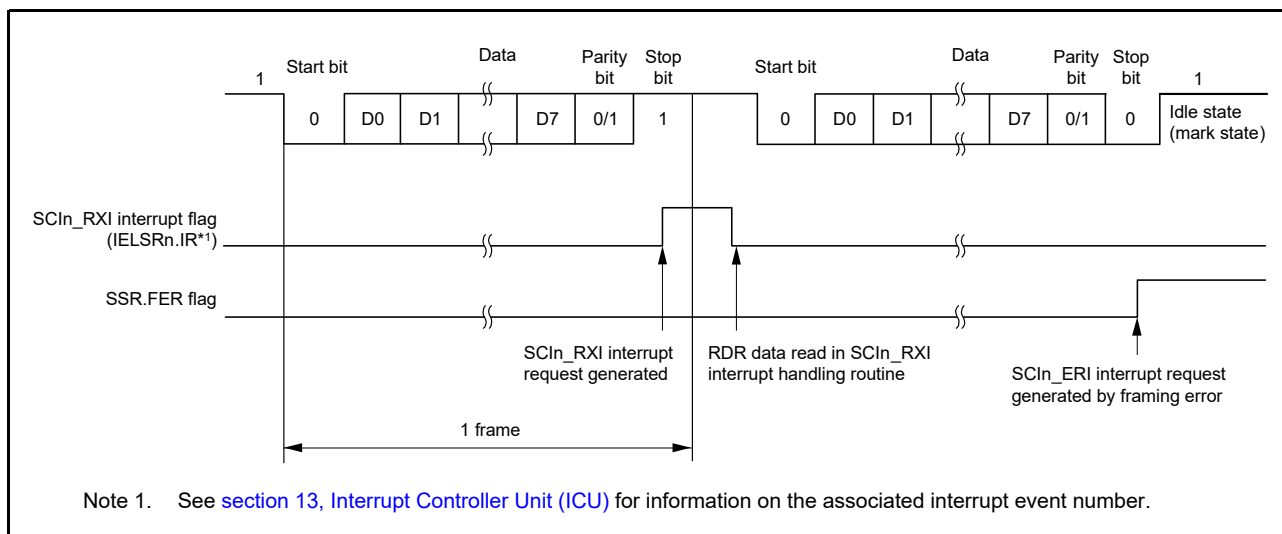


Figure 28.15 Example of SCI operation for serial reception in asynchronous mode (1) when RTS function is not used, and with 8-bit data, parity bit, and 1 stop bit

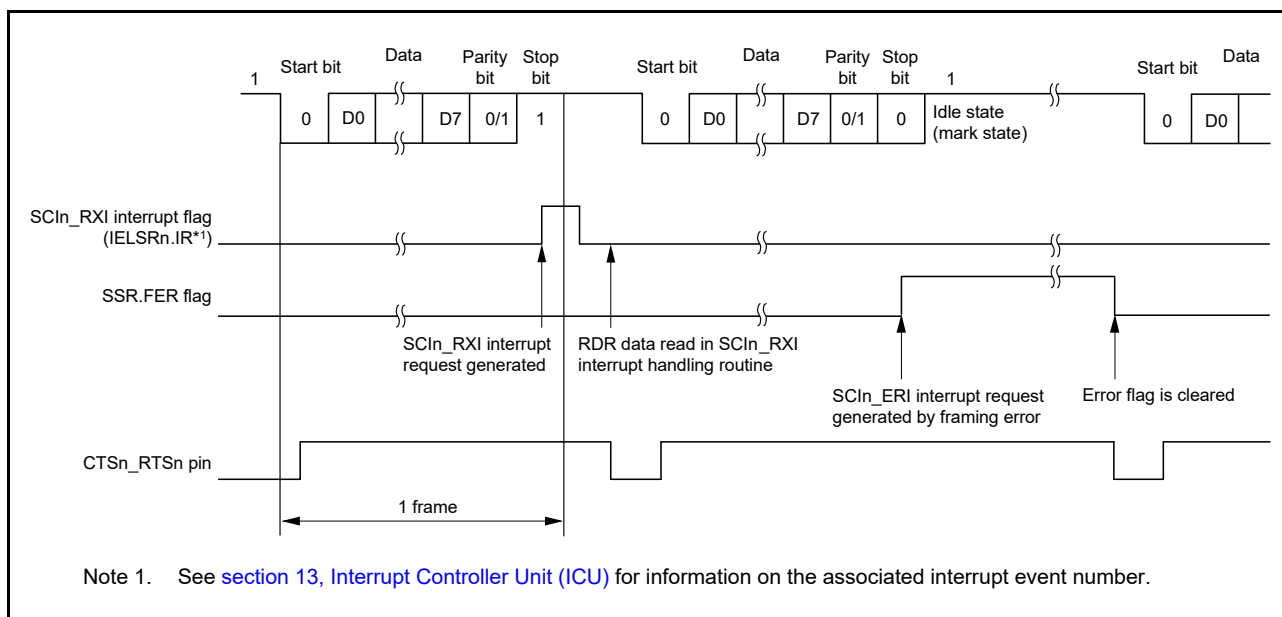


Figure 28.16 Example of SCI operation for serial reception in asynchronous mode (2) when RTS function is used, and with 8-bit data, parity bit, and 1 stop bit

Table 28.23 lists the states of the flags in the SSR status register and receive data handling when a receive error is detected.

If a receive error is detected, an SCIn_ERI interrupt request is generated but an SCIn_RXI interrupt request is not generated. Data reception cannot be resumed while the receive error flag is 1. Also, set the ORER, FER, and PER flags to 0 before resuming reception. In addition, be sure to read RDR or RDRHL during overrun error processing. When a reception is forcibly terminated by setting the SCR.RE bit to 0 during operation, read RDR or RDRHL because received data that is not read might be left in RDR or RDRHL.

Figure 28.17 and Figure 28.18 show example flows for serial data reception.

Table 28.23 Flags in SSR Status Register and receive data handling

| Flags in the SSR Status Register | | | Receive data | Receive error type |
|----------------------------------|-----|-----|--------------------|----------------------------------------------|
| ORER | FER | PER | | |
| 1 | 0 | 0 | Lost | Overrun error |
| 0 | 1 | 0 | Transferred to RDR | Framing error |
| 0 | 0 | 1 | Transferred to RDR | Parity error |
| 1 | 1 | 0 | Lost | Overrun error + framing error |
| 1 | 0 | 1 | Lost | Overrun error + parity error |
| 0 | 1 | 1 | Transferred to RDR | Framing error + parity error |
| 1 | 1 | 1 | Lost | Overrun error + framing error + parity error |

Note: Only read data in RDRHL when 9-bit data length is selected.

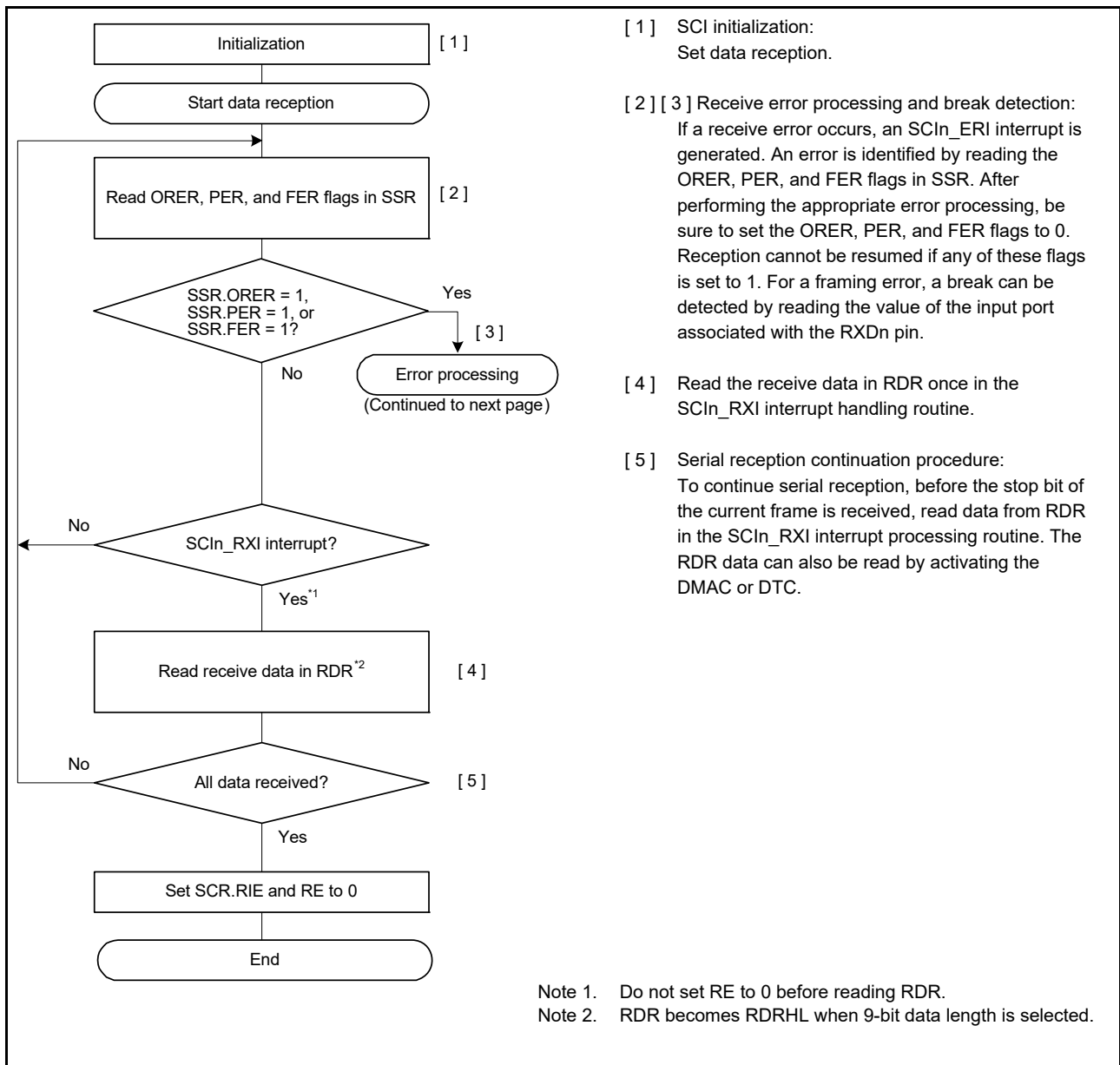


Figure 28.17 Example flow of serial reception in asynchronous mode with non-FIFO selected (1)

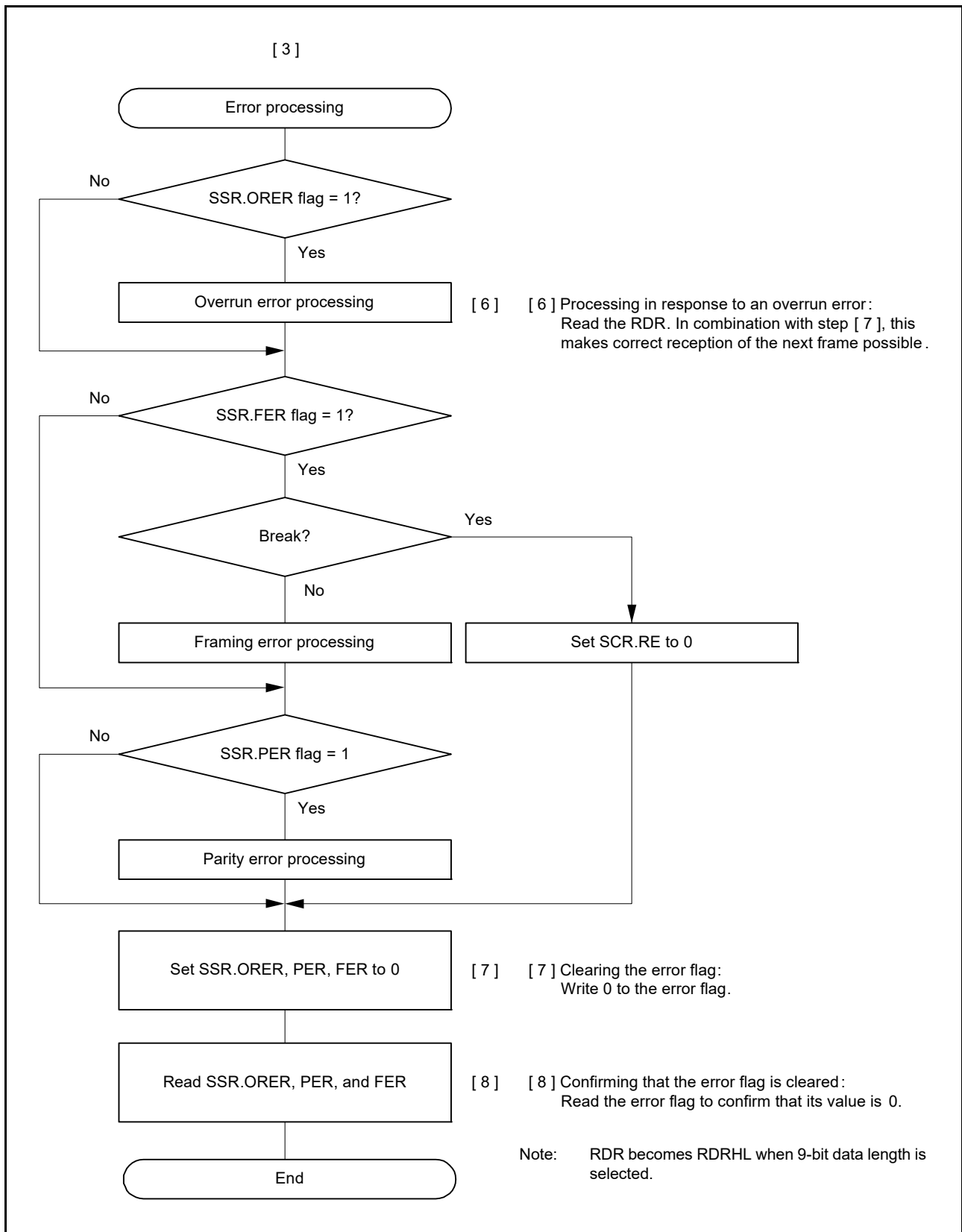


Figure 28.18 Example flow of serial reception in asynchronous mode with non-FIFO selected (2)

(2) FIFO selected

Figure 28.19 shows an example of a data format that is written to FRDRH and FRDRL in asynchronous mode.

In asynchronous mode, 0 is written to the MPB flag bit in the FRDRH register. Data that corresponds to the data length is written to FRDRH and FRDRL. Unused bits are written as 0. Read in order from FRDRH to FRDRL. If software reads FRDRL, SCI updates FER, PER and receive data (RDAT[8:0]) in the FRDRL register with the next data. The RDF, ORER, and DR flags in FRDRH always reflect the associated flags in the SSR_FIFO register.

| Data Length | Register Setting | | Receive data in FRDRH, FRDRL | | | | | | | | | | | | | | |
|-------------|------------------|------------|------------------------------|-----|------|-----|-----|----|----|--------------------|--------------------|--------------------|----|-------|----|----|----|
| | | | FRDRH | | | | | | | | | | | FRDRL | | | |
| | SCMR. CHR1 | SMR. CHR | b7 | b6 | b5 | b4 | b3 | b2 | b1 | b0 | b7 | b6 | b5 | b4 | b3 | b2 | b1 |
| 7 bits | 1 | 0 | — | RDF | ORER | FER | PER | DR | 0 | 0 | 0 | 7-bit receive data | | | | | |
| 8 bits | 1 | 1 | — | RDF | ORER | FER | PER | DR | 0 | 0 | 8-bit receive data | | | | | | |
| 9 bits | 0 | Don't care | — | RDF | ORER | FER | PER | DR | 0 | 9-bit receive data | | | | | | | |

Note: 0 is always read for MPB flag (FRDRH[1]).
 When data length is 7 bits, 0 is always read for FRDRH[0] and FRDRL[7].
 When data length is 8 bits, 0 is always read for FRDRH[0].
 FRDRH[7] bit is read as an indefinite value.

Figure 28.19 Data format stored to FRDRH and FRDRL with FIFO selected

In serial data reception, the SCI operates as follows:

1. When the value of the RE bit in SCR becomes 1, the output signal on the CTSn_RTSn pin goes low.
2. When the SCI monitors the communications line and detects a start bit, it performs internal synchronization, stores receive data in RSR, and checks the parity bit and stop bit.
3. When the FRDRL register is full, an overrun error occurs. If an overrun error occurs, the ORER flag in SSR_FIFO is set to 1. When the RIE bit in SCR is 1, an SCIn_ERI interrupt request is generated. Receive data is not transferred to FRDRL*1.
4. If a parity error is detected, the PER flag and receive data are transferred to FRDRL*1. When SCR.RIE is set to 1, an SCIn_ERI interrupt request is generated.
5. If a frame error is detected, the FER flag and receive data are transferred to FRDRL*1. When SCR.RIE is set to 1, an SCIn_ERI interrupt request is generated.
6. After a frame error is detected and when SCI detects that the continuous receive data is for one frame, reception stops.
7. When the amount of data stored in the receive FIFO Data Register (FRDRL) falls below the specified receive triggering number, and the next data is not received after 15 ETUs from the last stop bit in asynchronous mode, SSR_FIFO.DR is set to 1. When SCR.RIE is 1 and the FCR.DRES bit is 0, SCI generates an SCIn_RXI interrupt request. When FCR.DRES is 1, SCI generates an SCIn_ERI interrupt request.
8. When reception finishes successfully, receive data is transferred to FRDRL*1. RDF is set to 1 when the amount of receive data written to FRDRHL is equal to or greater than the specified receive triggering number. When SCR.RIE is 1, an SCIn_RXI interrupt request is generated. Continuous reception is enabled by reading the receive data transferred to FRDRL*2 in the SCIn_RXI interrupt handling routine, before an overrun error occurs. If the received data that is transferred to FRDRL*3 is less than the RTS trigger number, the CTSn_RTSn pin outputs low.

Note 1. Only read the data in the FRDRH and FRDRL registers when 9-bit data length is selected.

Note 2. Read the data in order from FRDRH to FRDRL when 9-bit data length is selected.

Note 3. The SCI only checks for update to the FRDRL register and not to the FRDRH register when 9-bit data length is selected.

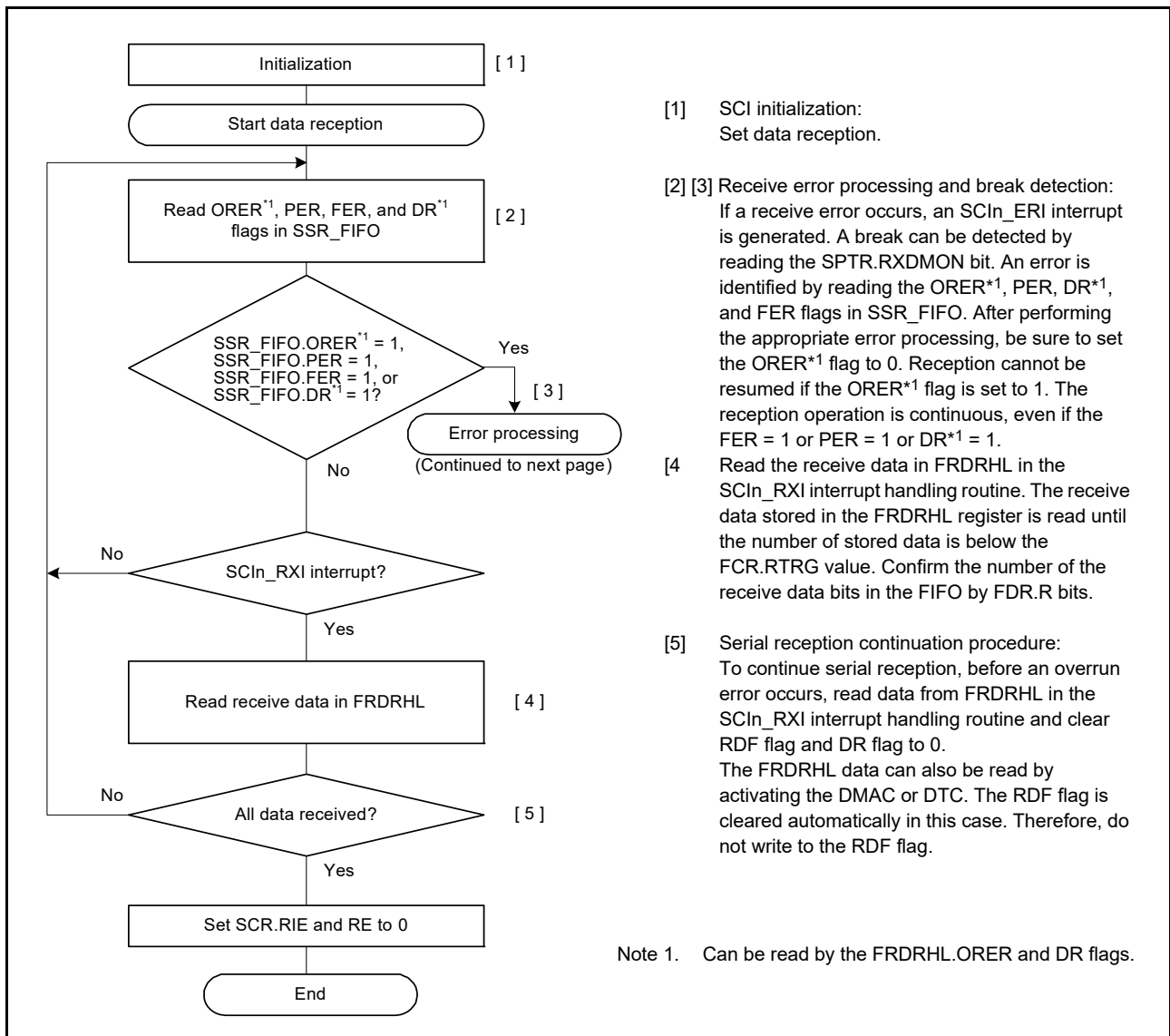


Figure 28.20 Example flow of serial reception in asynchronous mode with FIFO selected (1)

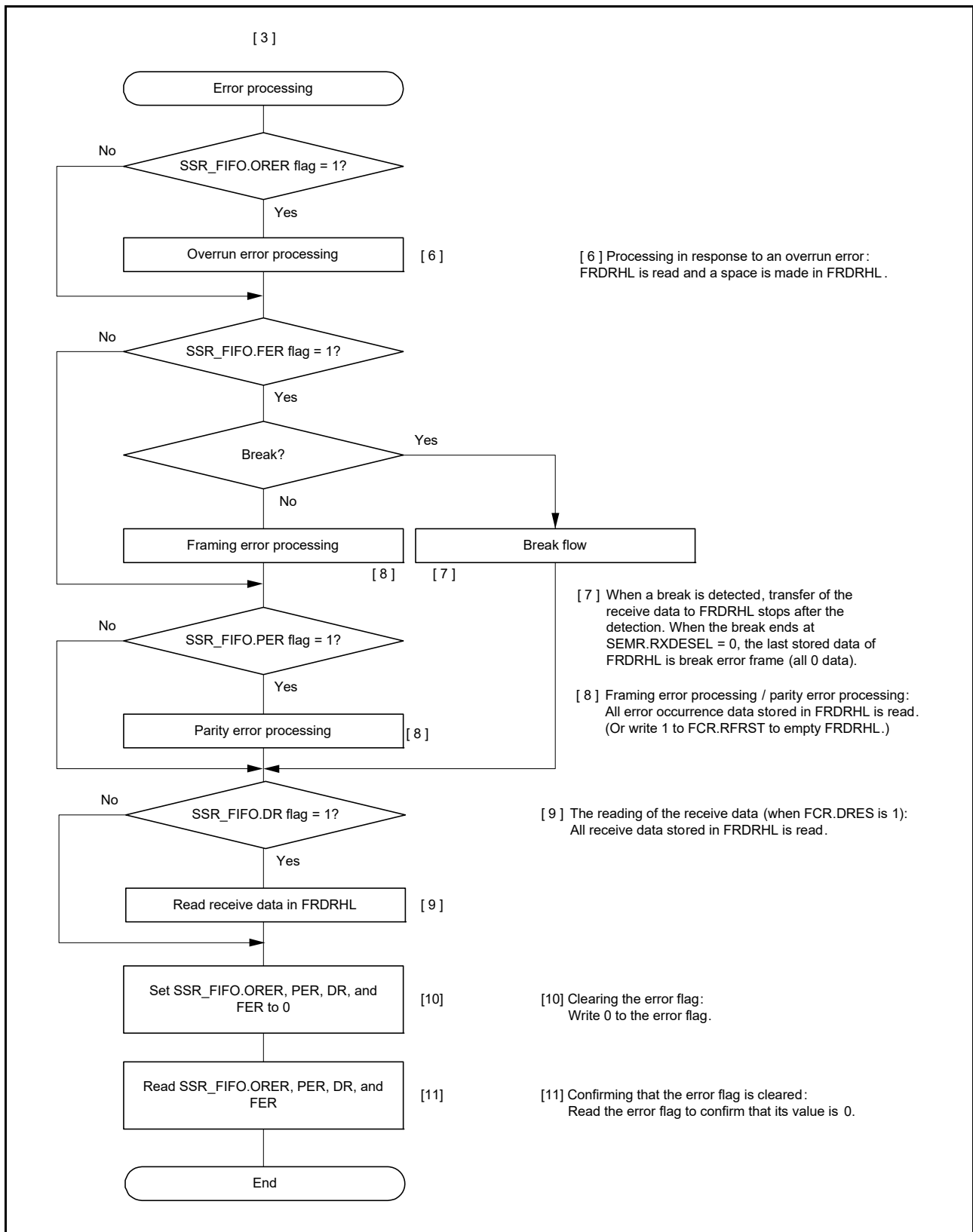


Figure 28.21 Example flow of serial reception in asynchronous mode with FIFO selected (2)

28.4 Multi-Processor Communications Function

The multi-processor communication function enables the SCI to transmit and receive data by sharing a communication line between multiple processors, using asynchronous serial communication in which the multi-processor bit is added. In multi-processor communication, a unique ID code is allocated to each receiving station. Serial communication cycles consist of an ID transmission cycle to specify the receiving station and a data transmission cycle to transmit data to the specified receiving station.

The multi-processor bit is used to distinguish between the ID transmission cycle and the data transmission cycle:

- When the multi-processor bit is set to 1, the transmission cycle is the ID transmission cycle
- When the multi-processor bit is set to 0, the transmission cycle is the data transmission cycle.

Figure 28.22 shows an example of communication between processors using a multi-processor format. First, a transmitting station transmits communication data in which the multi-processor bit set to 1, is added to the ID code of the receiving station. Next, the transmitting station transmits communication data in which the multi-processor bit set to 0, is added to the transmit data. After receiving communication data with the multi-processor bit set to 1, the receiving station compares the received ID with the ID of the receiving station itself. If the two match, the receiving station receives communication data that is subsequently transmitted. If the received ID does not match with the ID of the receiving station, the receiving station skips the communication data until it receives the data again in which the multi-processor bit is set to 1.

(1) Non-FIFO selected

To support this function, the SCI provides the MPIE bit in SCR. When MPIE is set to 1, the following operations are disabled until the reception of data in which the multi-processor bit is set to 1:

- Transfer of receive data from RSR to RDR (RDRHL when 9-bit data length is selected)
- Detection of a receive error
- Setting the respective status flags RDRF, ORER, and FER in SSR.

When receiving a character in which the multi-processor bit is set to 1, the MPBT bit in SSR is set to 1 and the MPIE bit in SCR is automatically cleared, returning the SCI to a non-multi-processor reception operation. An SCI_{In}_RXI interrupt is generated if the RIE bit in SCR is set.

When the multi-processor format is specified, the parity bit function is disabled. Apart from this, there is no difference from operation in non-multi-processor asynchronous mode. The clock used for the multi-processor communication is the same as the clock used in non-multi-processor asynchronous mode.

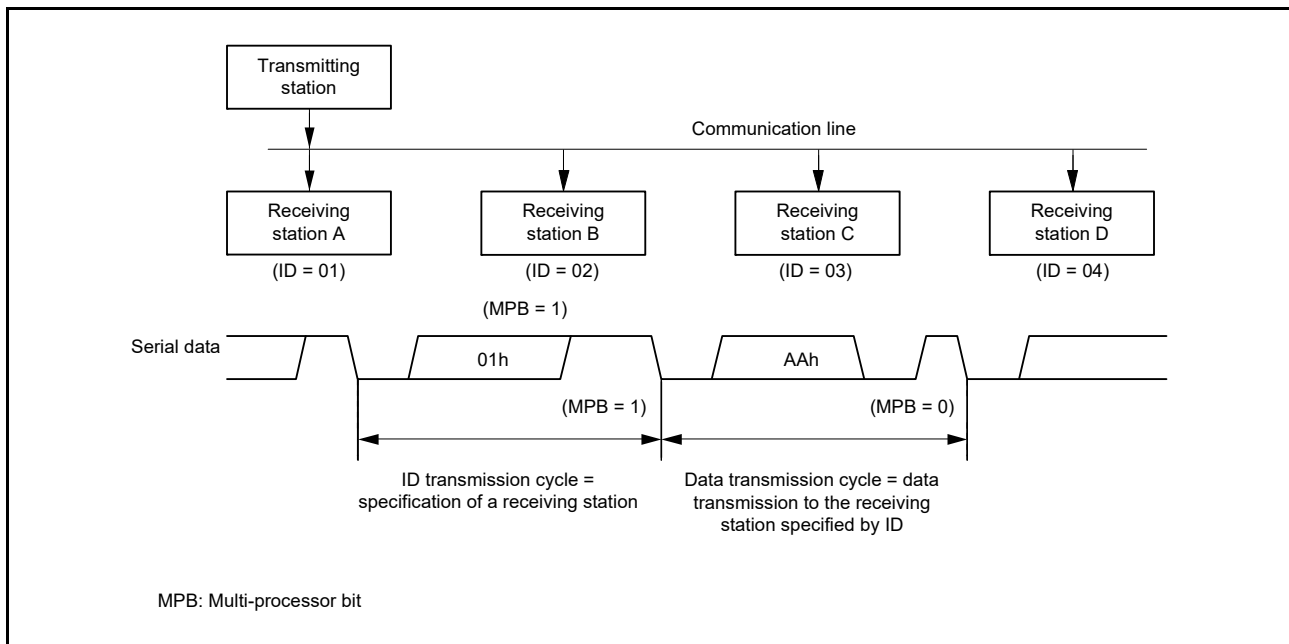


Figure 28.22 Example of communication using multi-processor format with transmission of data AAh to receiving station A

(2) FIFO selected

For data transmission, software must write data to FTDRHL.MPBT that corresponds to transmit data in FTDRHL.TDAT. For data reception, the multi-processor bit that is part of the receive data is written to FRDRHL.MPB and receive data is written to FRDRL.

When the MPIE bit is set to 1, the following functions are disabled until reception of data in which the multi-processor bit is set to 1:

- Transfer of receive data from RSR to FRDRHL
- Detection of a receive error
- Break
- Setting the respective status flags RDF, ORER, and FER in SSR_FIFO.

On receiving an 8-bit character in which the multi-processor bit is set to 1, the MPB bit in FRDRHL is set to 1 and receive data is written to FRDRHL.RDAT. The MPIE bit in SCR is automatically cleared, returning the SCI to non-multi-processor reception operation. An SCIn_RXI interrupt is generated if the RIE bit in SCR is set.

When the multi-processor format is specified, the parity bit function is disabled. Apart from this, there is no difference from operation in non-multi-processor asynchronous mode with FIFO selected.

28.4.1 Multi-Processor Serial Data Transmission

(1) Non-FIFO selected

Figure 28.23 shows an example flow of multi-processor data transmission. In the ID transmission cycle, the ID must be transmitted with the MPBT bit in SSR set to 1. In the data transmission cycle, the data must be transmitted with the MPBT bit set to 0. The rest of the operations are the same as in asynchronous mode.

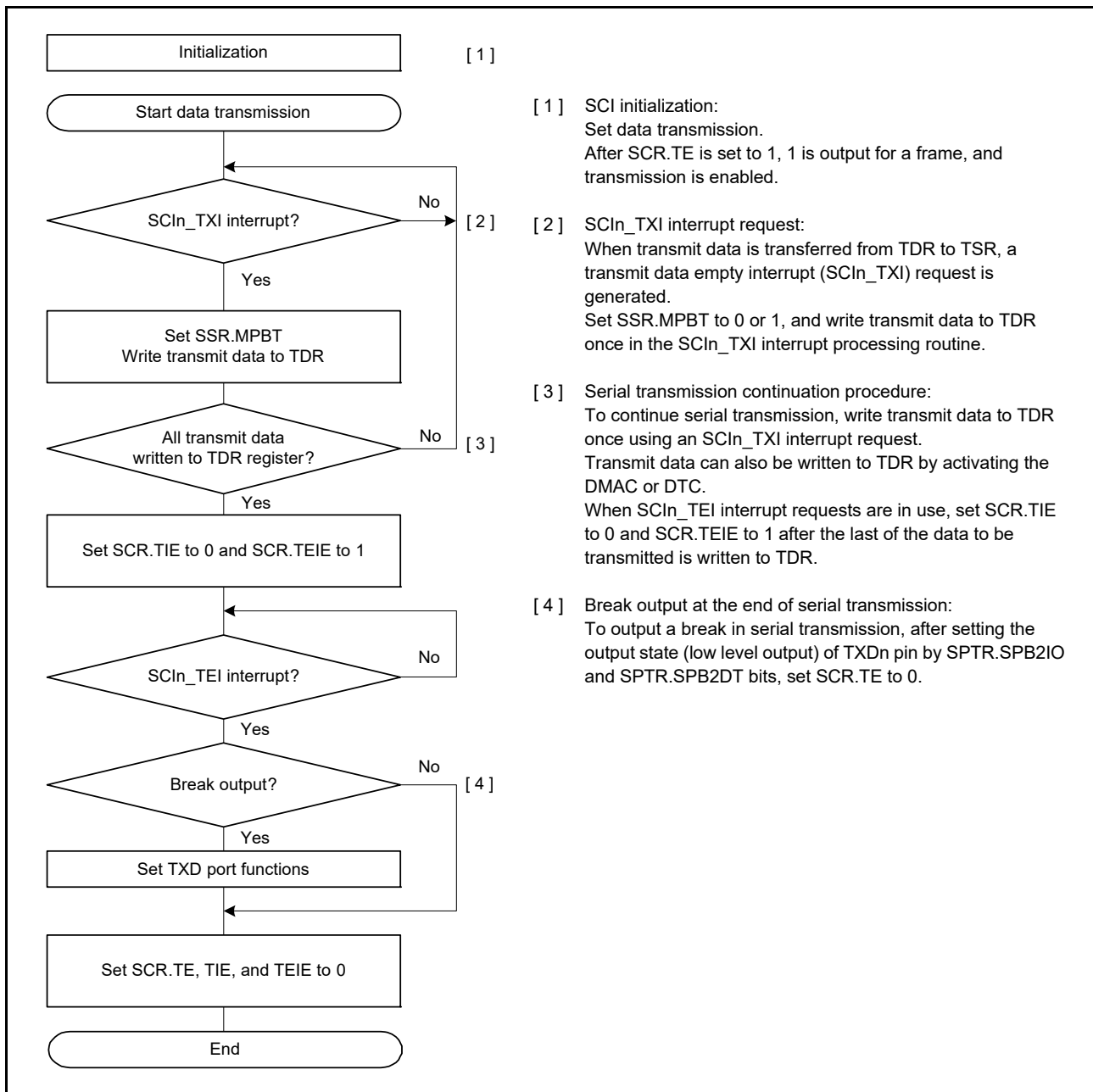


Figure 28.23 Example flow of multi-processor serial transmission with non-FIFO selected

(2) FIFO selected

Figure 28.24 shows an example of data format that is written to FTDRH and FTDL in multi-processor mode.

MPBT is set to 1 in FTDRH. Data is set to FTDRH and FTDL with the correct data length. Write 0 for unused bits. Write in order from FTDRH to FTDL.

| Data Length | Register Setting | | Transmit data in FTDRH, FTDRL | | | | | | | | | | | | | | | | |
|-------------|------------------|-------------|-------------------------------|----|----|----|----|----|------|---------------------|---------------------|---------------------|----|----|----|----|----|----|--|
| | SCMR. CHR1 | SMR. CHR | FTDRHL | | | | | | | | | | | | | | | | |
| | | | FTDRH | | | | | | | | FTDRL | | | | | | | | |
| | | | b7 | b6 | b5 | b4 | b3 | b2 | b1 | b0 | b7 | b6 | b5 | b4 | b3 | b2 | b1 | b0 | |
| 7 bits | 1 | 0 | — | — | — | — | — | — | MPBT | — | — | 7-bit transmit data | | | | | | | |
| 8 bits | 1 | 1 | — | — | — | — | — | — | MPBT | — | 8-bit transmit data | | | | | | | | |
| 9 bits | 0 | Don't care | — | — | — | — | — | — | MPBT | 9-bit transmit data | | | | | | | | | |

—: Invalid. The write value should be 0.

Figure 28.24 Data format written to FTDRH and FTDRL in multi-processor mode with FIFO selected

Figure 28.25 shows an example flow of multi-processor data transmission with FIFO selected. In the ID transmission cycle, the ID must be transmitted with the MPBT bit in FTDRH set to 1. In the data transmission cycle, the data must be transmitted with the MPBT bit set to 0. The rest of the operations are the same as operations in asynchronous mode with FIFO selected.

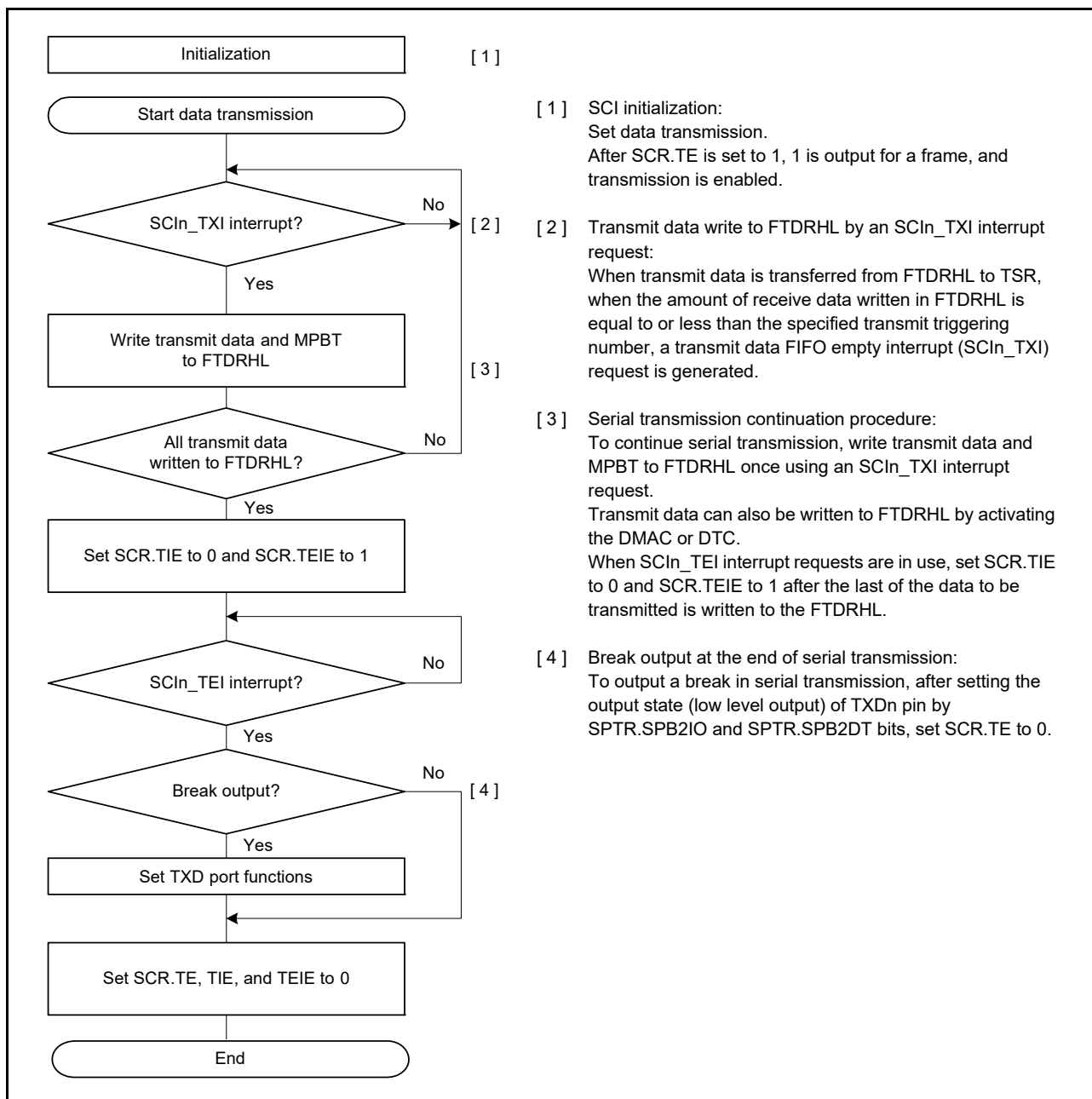


Figure 28.25 Example flow of serial transmission in multi-processor mode with FIFO selected

28.4.2 Multi-Processor Serial Data Reception

(1) Non-FIFO selected

Figure 28.27 and Figure 28.28 show example flows of multi-processor data reception. When the MPIE bit in SCR is set to 1, reading communication data is skipped until reception of communication data in which the multi-processor bit is set to 1. When communication data in which the multi-processor bit is set to 1 is received, the received data is transferred to RDR (RDRHL when 9-bit data length is selected) and the SCIn_RXI interrupt request is generated. The rest of the operations are the same as operations in asynchronous mode.

Figure 28.26 shows an example of operation for data reception.

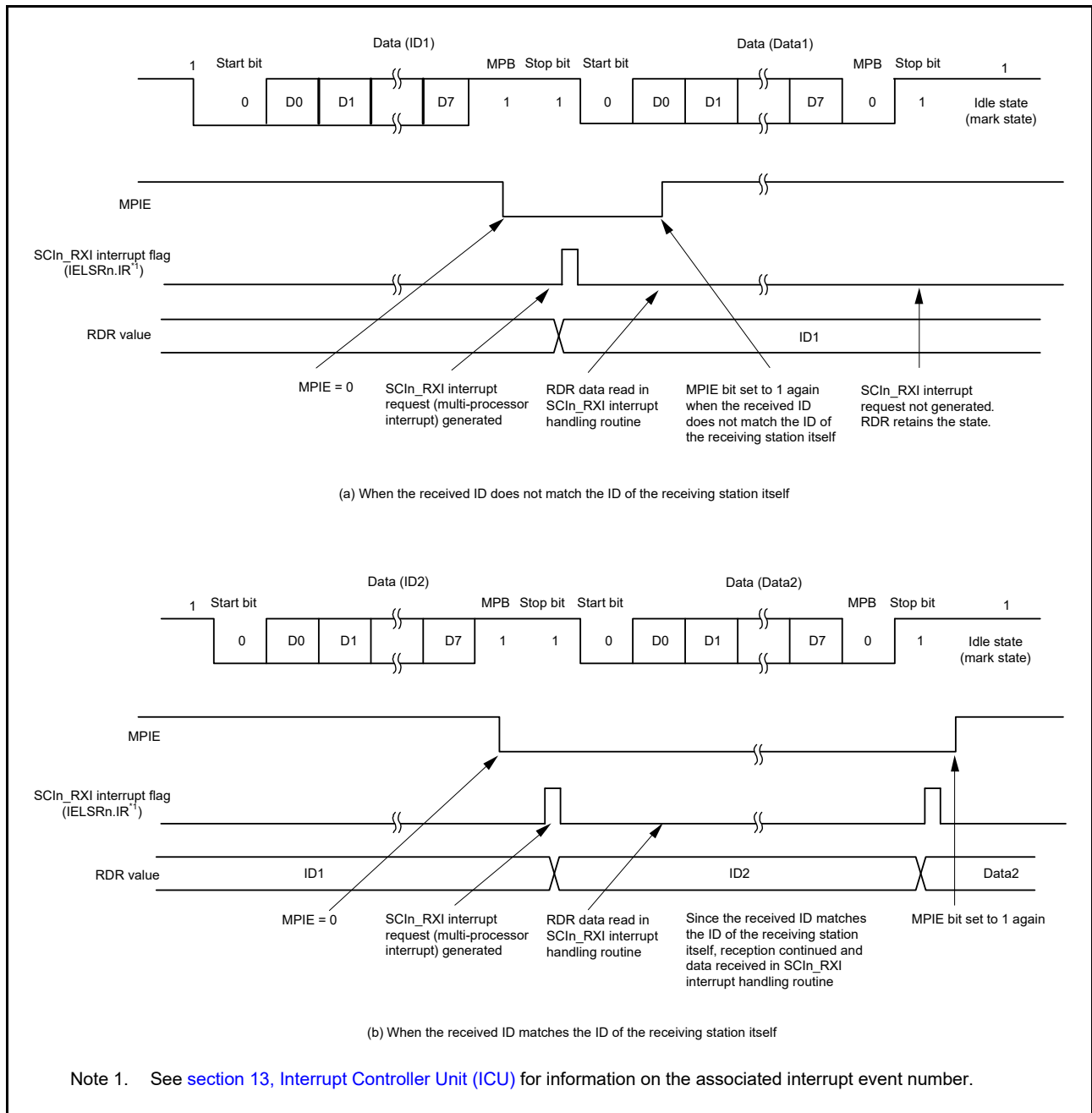


Figure 28.26 Example of SCI reception with 8-bit data, multi-processor bit, and 1 stop bit

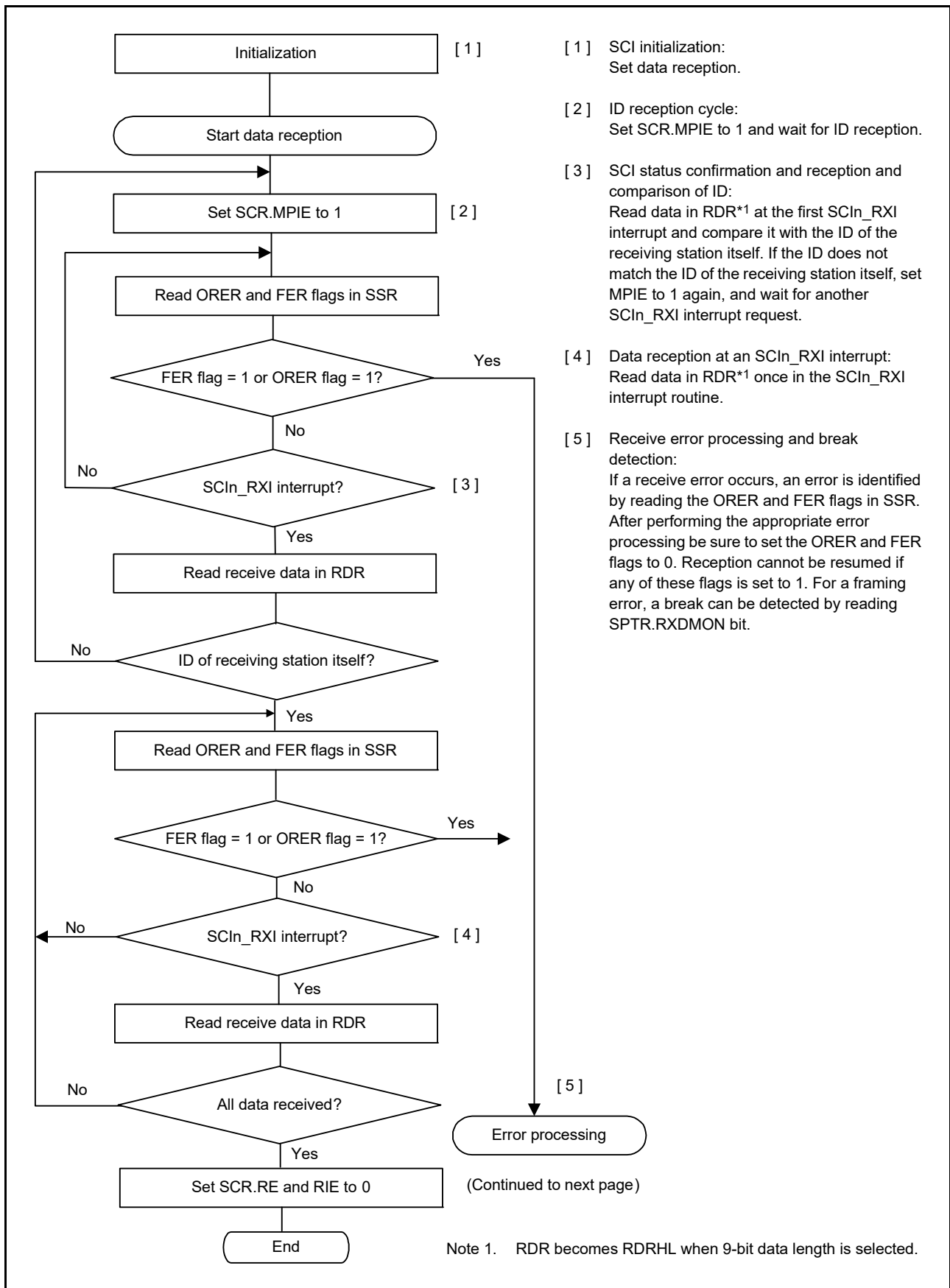


Figure 28.27 Example flow of multi-processor serial reception (1) with non-FIFO selected

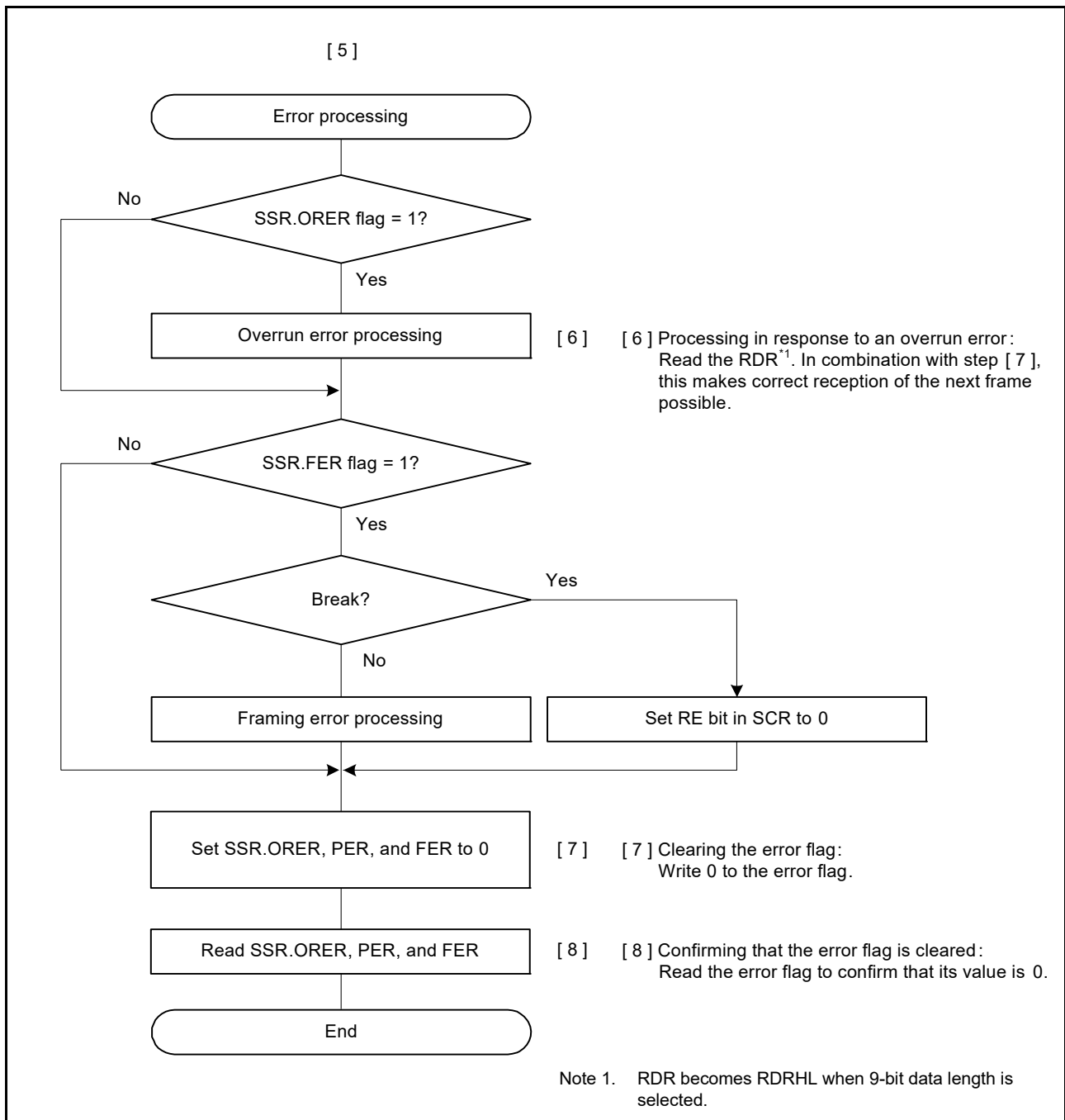


Figure 28.28 Example flow of multi-processor serial reception (2) with non-FIFO selected

(2) FIFO selected

Figure 28.29 shows an example of a data format that is written to FRDRH and FRDRL in multi-processor mode.

In multi-processor mode, the MPB value that is a part of the receive data is written to the MPB flag (FRDRH[1]) in FRDRH. Zero is written to the PER flag (FRDRH[3]) in FRDRH. Data is written to FRDRH and FRDRL with the correct data length. Zero is written for unused bits. Read in order from FRDRH to FRDRL. If software reads FRDRL, the SCI updates FER, MPB and receive data (RDAT[8:0]) in FRDRL with the next data. The RDF, Overrun, and DR flags in FRDRH always reflect the associated flags in the SSR_FIFO register.

| Data Length | Register Setting | | Receive data in FRDRH, FRDRL | | | | | | | | | | | | | | | |
|-------------|------------------|-------------|------------------------------|-----|------|-----|----|----|-----|--------------------|--------------------|--------------------|-------|----|----|----|----|----|
| | SCMR. CHR1 | SMR. CHR | FRDRH | | | | | | | | | | FRDRL | | | | | |
| | | | b7 | b6 | b5 | b4 | b3 | b2 | b1 | b0 | b7 | b6 | b5 | b4 | b3 | b2 | b1 | b0 |
| 7 bits | 1 | 0 | — | RDF | ORER | FER | 0 | DR | MPB | 0 | 0 | 7-bit receive data | | | | | | |
| 8 bits | 1 | 1 | — | RDF | ORER | FER | 0 | DR | MPB | 0 | 8-bit receive data | | | | | | | |
| 9 bits | 0 | Don't care | — | RDF | ORER | FER | 0 | DR | MPB | 9-bit receive data | | | | | | | | |

Note: When data length is 7 bits, 0 is always read for FRDRH[0] and FRDRL[7]
 When data length is 8 bits, 0 is always read for FRDRH[0]
 FRDRH[7] bit is read as an indefinite value.

Figure 28.29 Data format stored to FRDRH and FRDRL in multi-processor mode with FIFO selected

Figure 28.30 shows an example flow of multi-processor data reception with FIFO selected. When the MPIE bit in SCR is set to 1, reading communication data is skipped until reception of communication data in which the multiprocessor bit is set to 1. When communication data in which the multi-processor bit is set to 1 is received, the received data, MPB and associated errors are transferred to FRDRHL. SCR.MPIE is automatically cleared and non-multi-processor reception continues.

If a frame error occurs and the SSR_FIFO.FER flag is set to 1, the SCI continues data reception. The rest of the operations are the same as in asynchronous mode with FIFO selected.

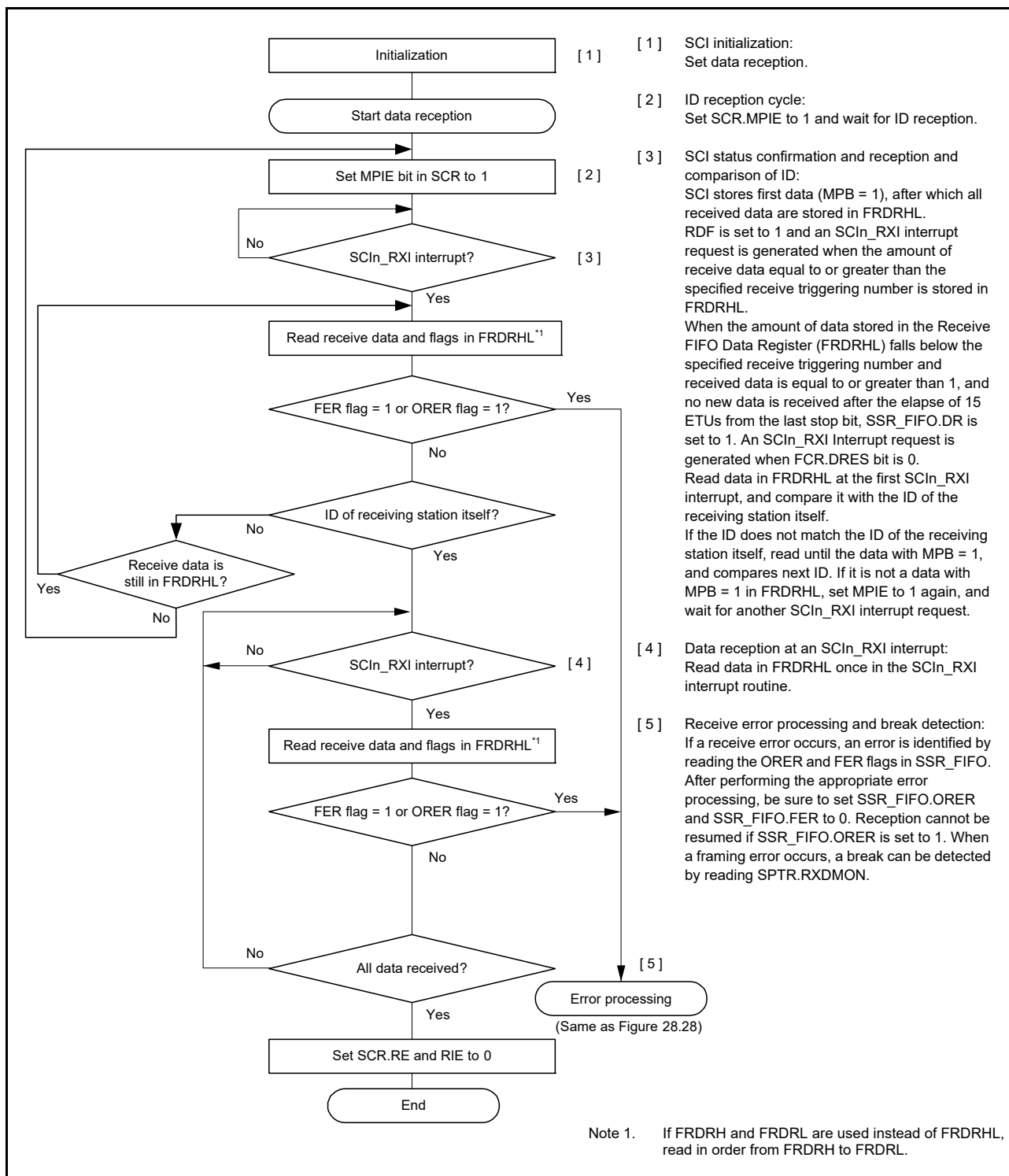


Figure 28.30 Example flow of serial reception in multi-processor mode with FIFO selected

28.5 Operation in Clock Synchronous Mode

Figure 28.31 shows the data format for clock synchronous serial data communications.

In clock synchronous mode, data is transmitted or received in synchronization with clock pulses. One character in transfer data consists of 8-bit data. In clock synchronous mode, no parity bit can be added.

In data transmission, the SCI outputs data from one falling edge of the synchronization clock to the next. In data reception, the SCI receives data in synchronization with the rising edge of the synchronization clock.

After 8-bit data is output, the transmission line holds the last bit as output state. When SPMR.CKPH is 1 in slave mode, the SCI holds the first bit output state.

Within the SCI, the transmitter and receiver are independent units, enabling full-duplex communications by using a common clock. Both the transmitter and the receiver have a double-buffered structure, so that the next transmit data can be written during transmission or the previous receive data can be read during reception, enabling continuous data transfer.

However, it is not possible to do continuous transfer in the fastest bit rate setting (BRR = 00h and SMR.CKS[1:0] = 00b), therefore when the FIFO is selected, this setting (BRR = 00h and SMR.CKS[1:0] = 00b) is not available.

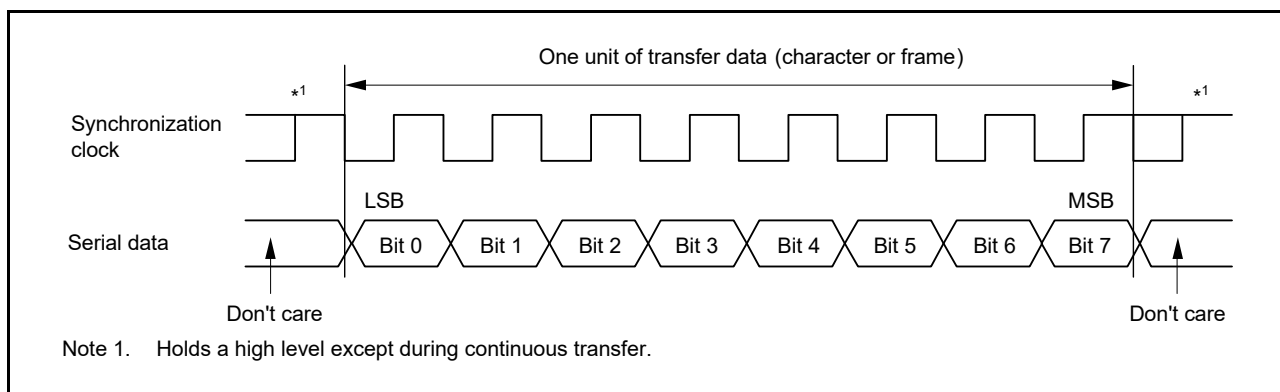


Figure 28.31 Data format in clock synchronous serial communications with LSB-first

28.5.1 Clock

Either an internal clock generated by the on-chip baud rate generator or an external synchronization clock input at the SCKn pin can be selected based on the setting of the SCR.CKE[1:0] bits.

When the SCI operates on an internal clock, the synchronization clock is output from the SCKn pin. Eight synchronization clock pulses are output in the transfer of one character. When no transfer is performed, the clock is held high. However, when only data reception is performed while the CTS function is disabled, the synchronization clock output starts when SCR.RE is set to 1. The synchronization clock stops when it is held high*1, when an overrun error occurs, or when SCR.RE is set to 0.

When only data reception is performed and the CTS function is enabled, the clock output does not start when SCR.RE is set to 1 and the CTSn_RTSn input is high. The synchronization clock output starts when SCR.RE is set to 1 and the CTSn_RTSn input is low. When the CTSn_RTSn input is high on completion of the frame reception, the synchronization clock output stops when it goes high. If the CTSn_RTSn input continues to be low, the synchronization clock stops when it is held high*1, when an overrun error occurs, when or SCR.RE is set to 0.

Note 1. The signal is held high when SPMR.CKPH bit = 0 and SPMR.CKPOL bit = 0, when or SPMR.CKPH bit = 1 and SPMR.CKPOL bit = 1.

The signal is held low when SPMR.CKPH bit = 0 and SPMR.CKPOL bit = 1, or when SPMR.CKPH bit = 1 and SPMR.CKPOL bit = 0.

28.5.2 CTS and RTS Functions

In the CTS function, the CTSn_RTSn input controls the start of data reception or transmission when the clock source is the internal clock. Setting SPMR.CTSE to 1 enables the CTS function. When the CTS function is enabled, setting the CTSn_RTSn pin low causes data reception or transmission to start.

Setting the CTSn_RTSn pin high while the data transmission or reception is in progress does not affect transmission or reception of the current frame.

In the RTS function, the CTSn_RTSn output is used to request the start of data reception or transmission when the clock source is an external synchronizing clock. The CTSn_RTSn output goes low when serial communication becomes possible. Conditions for output of CTSn_RTSn low and high are as follows:

[Conditions for low output]

(a) Non-FIFO selected, when all of the following conditions are satisfied

- The value of the RE or TE bit in SCR is 1
- When serial communication is enabled
- There is no received data available to be read (when SCR.RE is 1)
- Data is available for transmission in TSR (when SCR.TE is 1)
- The SSR.ORER flag is 0.

(b) FIFO selected, when all of the following conditions are satisfied

- The value of the RE or TE bit in the SCR is 1
- When serial communication is enabled
- When the amount of receive data written in FRDRHL is less than the specified CTSn_RTSn output triggering number (when SCR.RE = 1)
- Data that has not been transmitted is available in FTDRHL (when SCR.TE is 1 and SCR.CKE[1] is 0)
- Data is available for transmission in TSR (when SCR.TE is 1 and SCR.CKE[1] is 1)
- The SSR_FIFO.ORER flag is 0.

[Condition for high output]

(a) Non-FIFO selected

- The conditions for low output are not satisfied.
- When reception is terminated with SCR.RE = 0 without reading the RDR register after reception is completed, RTS remains high. At this time, read the SCR register for dummy values after writing SCR.RE = 0.

(b) FIFO selected

- The conditions for low output are not satisfied.

28.5.3 SCI Initialization in Clock Synchronous Mode

Before transmitting and receiving data, start by writing the initial value 00h to SCR, then continue through the SCI procedure in [28.5.2 CTS and RTS Functions](#). Any time the operating mode or transfer format is to be changed, SCR must be initialized before the change can be made.

Note: Setting the SCR.RE bit to 0 does not initialize the ORER, FER, RDRF, RDF, PER, and DR flags in SSR/SSR_FIFO or RDR and RDRHL. When SCR.TE is set to 0, the TEND flag for the selected FIFO buffer is not initialized.

Note: Switching the value of SCR.TE from 1 to 0 or 0 to 1 when SCR.TIE is 1 generates an SCIn_TXI interrupt request.

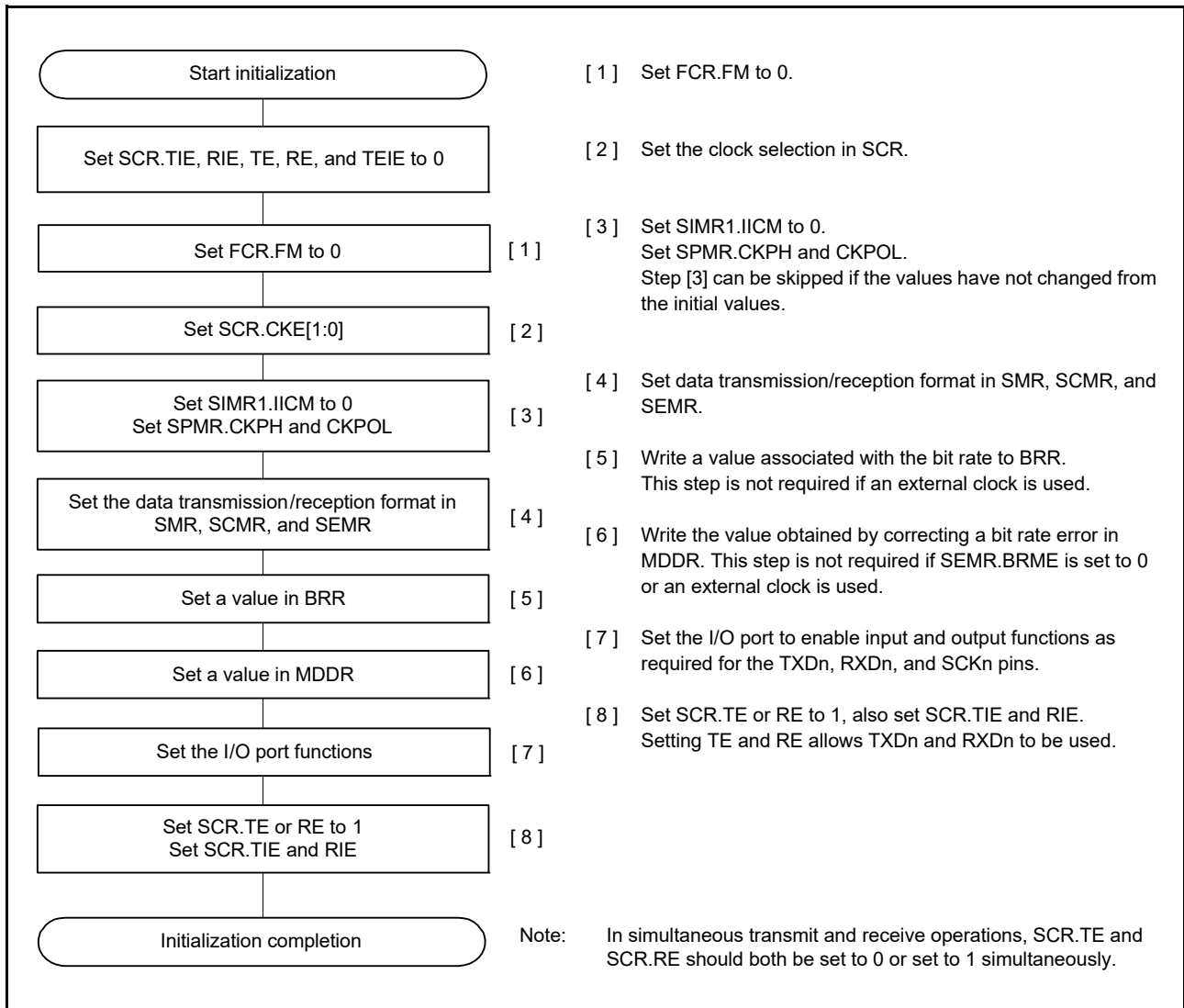


Figure 28.32 Example flow of SCI initialization in clock synchronous mode with non-FIFO selected

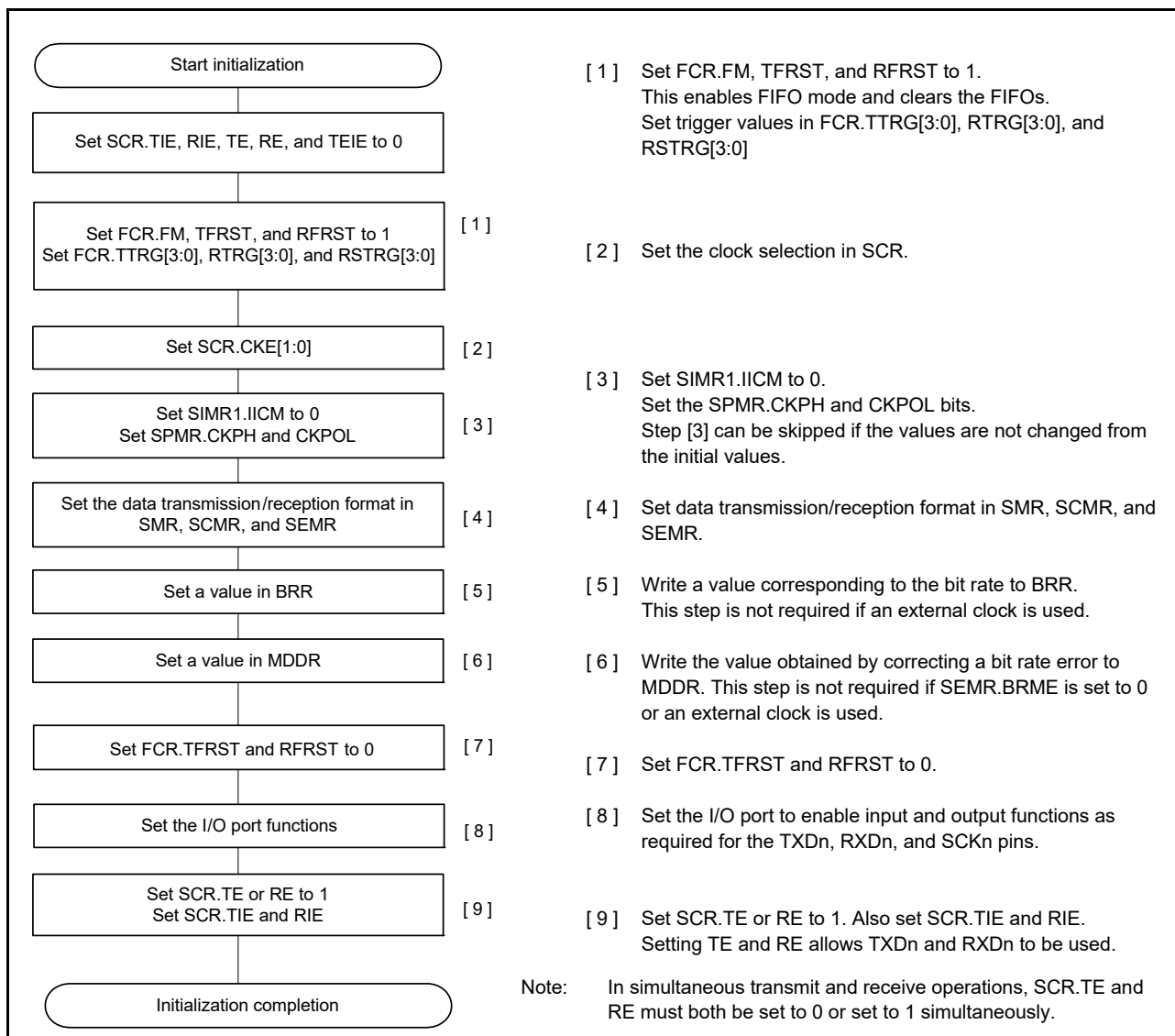


Figure 28.33 Example flow of SCI initialization in clock synchronous mode with FIFO selected

28.5.4 Serial Data Transmission in Clock Synchronous Mode

(1) Non-FIFO selected

Figure 28.34, Figure 28.35, and Figure 28.36 show examples of serial transmission in clock synchronous mode.

In serial data transmission, the SCI operates as follows:

1. The SCI transfers data from TDR to TSR when data is written to TDR in the SCIn_TXI interrupt handling routine. The SCIn_TXI interrupt request at the beginning of transmission is generated when SCR.TE is set to 1 but only after SCR.TIE is also set to 1, or when SCR.TE and SCR.TIE are both set to 1 simultaneously by a single instruction.
2. After transferring data from TDR to TSR, the SCI starts transmission. When SCR.TIE is set to 1, an SCIn_TXI interrupt request is generated. Continuous transmission is enabled by writing the next transmit data to TDR in the SCIn_TXI interrupt handling routine before transmission of the current transmit data finishes. When SCIn_TEI interrupt requests are in use, set SCR.TIE to 0 and SCR.TEIE to 1 after the last of the data to be transmitted is written to TDR.
3. 8-bit data is sent from the TXDn pin in synchronization with the output clock when the clock output mode is specified, and in synchronization with the input clock when use of an external clock is specified. Output of the clock signal is suspended until the CTSn_RTsn input signal is low when SPMR.CTSE is 1.

4. The SCI checks for update to TDR on output of the last bit.
5. When TDR is updated, the next transmit data is transferred from TDR to TSR, and serial transmission of the next frame starts.
6. If TDR is not updated, the SSR.TEND flag is set to 1. The TXDn pin retains the output state of the last bit. If SCR.TEIE is 1, an SCIn_TEI interrupt request is generated and the SCKn pin is held high.

Figure 28.34 to Figure 28.36 show examples of serial data transmission and Figure 28.37 shows an example flow of serial transmission in clock synchronous mode.

Transmission does not start while a receive error flag (ORER, FER, or PER in SSR) is set to 1. Be sure to set the receive error flags to 0 before starting transmission.

Note: Setting SCR.RE to 0 does not clear the receive error flags.

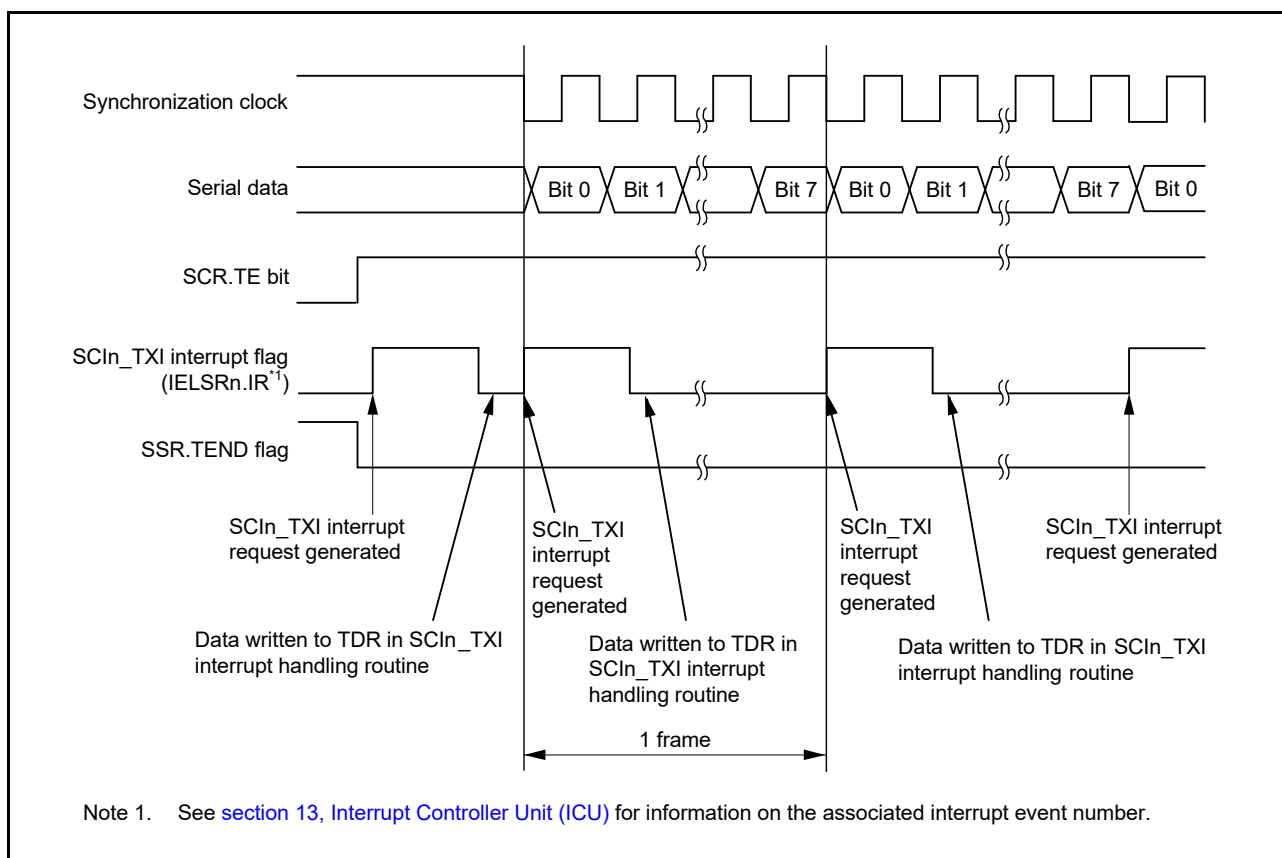


Figure 28.34 Example of serial data transmission in clock synchronous mode when the CTS function is not used at the beginning of transmission

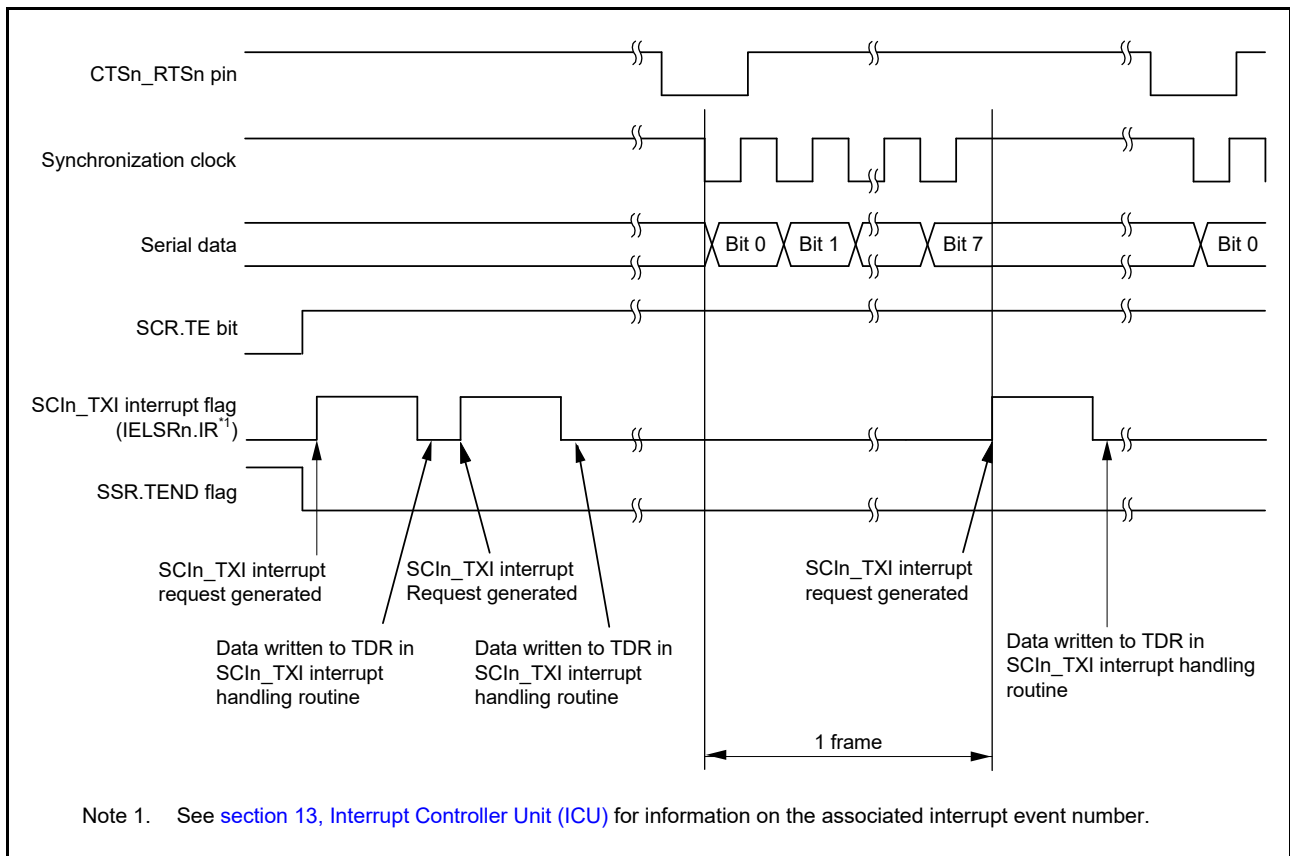


Figure 28.35 Example of serial data transmission in clock synchronous mode when the CTS function is used at the beginning of transmission

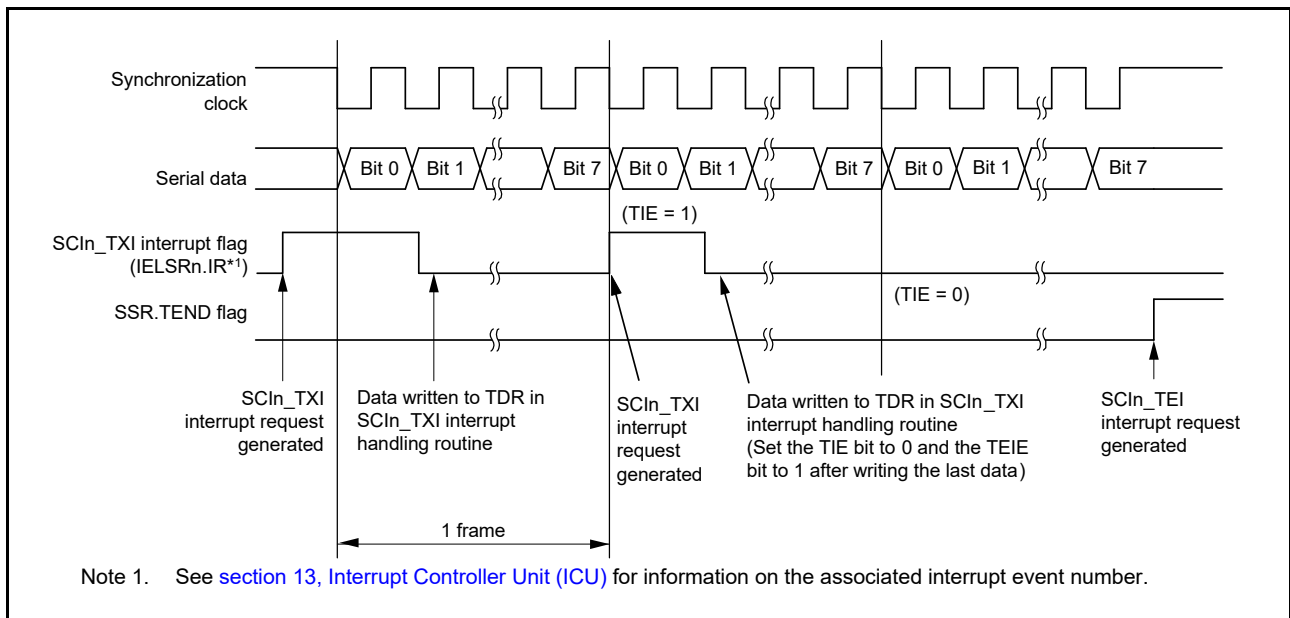


Figure 28.36 Example of serial data transmission in clock synchronous mode from the middle of transmission until transmission completion

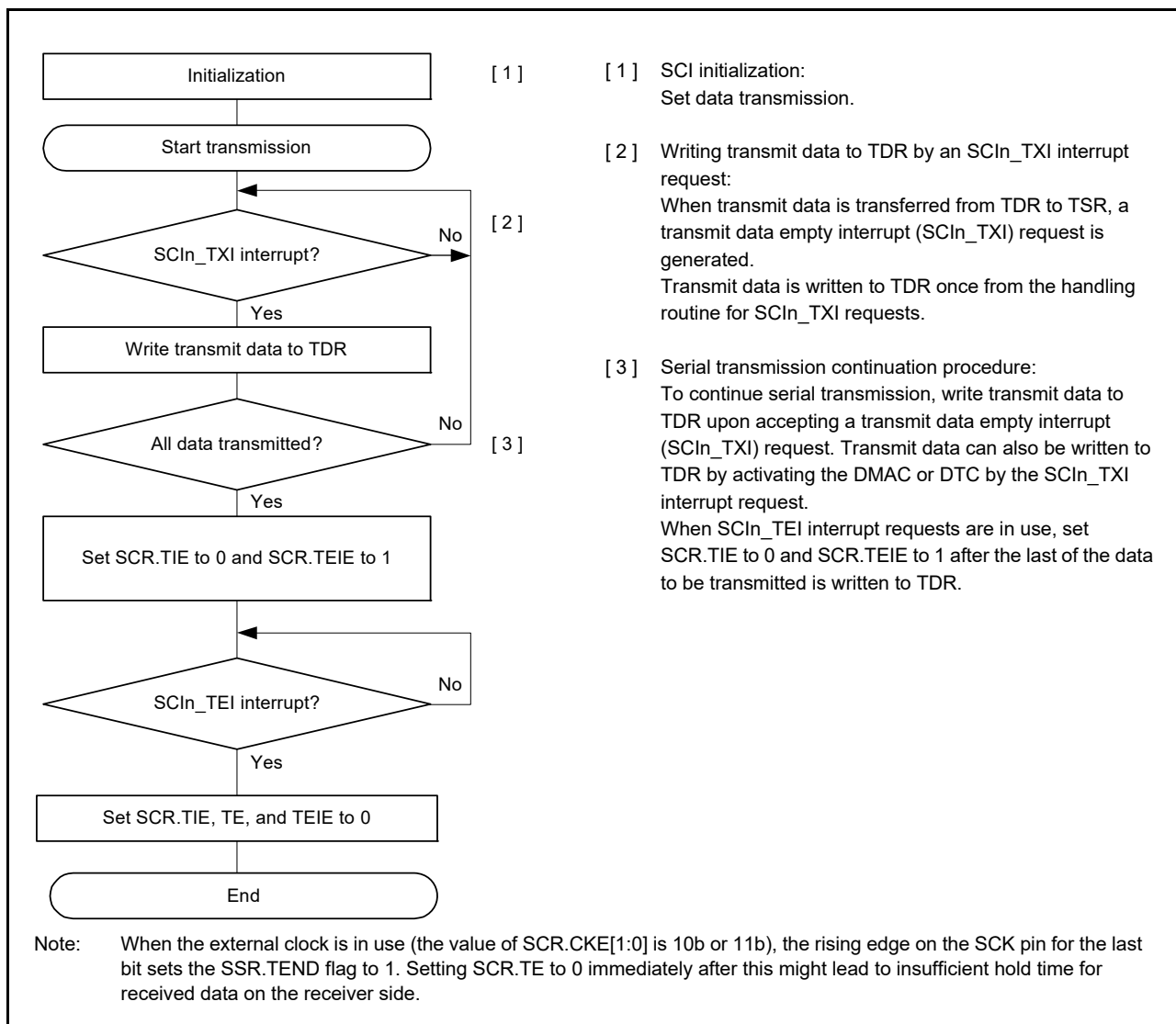


Figure 28.37 Example flow of serial transmission in clock synchronous mode with non-FIFO selected

(2) FIFO selected

Figure 28.38 shows an example of serial transmission in clock synchronous mode with FIFO selected.

In serial data transmission, the SCI operates as follows:

1. The SCI transfers data from FTDRL*1 to TSR when data is written to FTDRL*1 in the SCIn_TXI interrupt handling routine. The amount of data that can be written to FTDRL is 16 minus FDR.T[4:0] bytes. The SCIn_TXI interrupt request at the beginning of transmission is generated when SCR.TE is set to 1, but only after SCR.TIE is also set to 1, or when SCR.TE and SCR.TIE are both set to 1 simultaneously by a single instruction.
2. After transferring data from FTDRL to TSR, the SCI starts transmission. When the amount of transmit data written in FTDRL is equal to or less than the specified transmit triggering number, the SSR_FIFO.TDFE flag is set to 1. When the SCR.TIE bit is set to 1, an SCIn_TXI interrupt request is generated. Continuous transmission is enabled by writing the next transmit data to FTDRL in the SCIn_TXI interrupt handling routine before transmission of the current transmit data finishes. When SCIn_TEI interrupt requests are in use, set SCR.TIE to 0 and SCR.TEIE to 1 after the last of the data to be transmitted is written to FTDRL.
3. 8-bit data is sent from the TXDn pin in synchronization with the output clock when the clock output mode is specified, and in synchronization with the input clock when use of an external clock is specified. Output of the clock signal is suspended until the CTSn_RTSn input signal is low and while SPMR.CTSE is 1.
4. The SCI checks whether non-transmitted data remains in FTDRL on output of the stop bit.

5. When FTDRL is updated, the next transmit data is transferred from FTDRL to TSR and serial transmission of the next frame starts.
6. If FTDRL is not updated, the SSR_FIFO.TEND flag is set to 1. The TXDn pin retains the output state of the last bit. If SCR.EIE is 1, an SCIn_TEI interrupt request is generated and the SCKn pin is held high.

Note 1. In clock synchronous mode, FTDRH is not used.

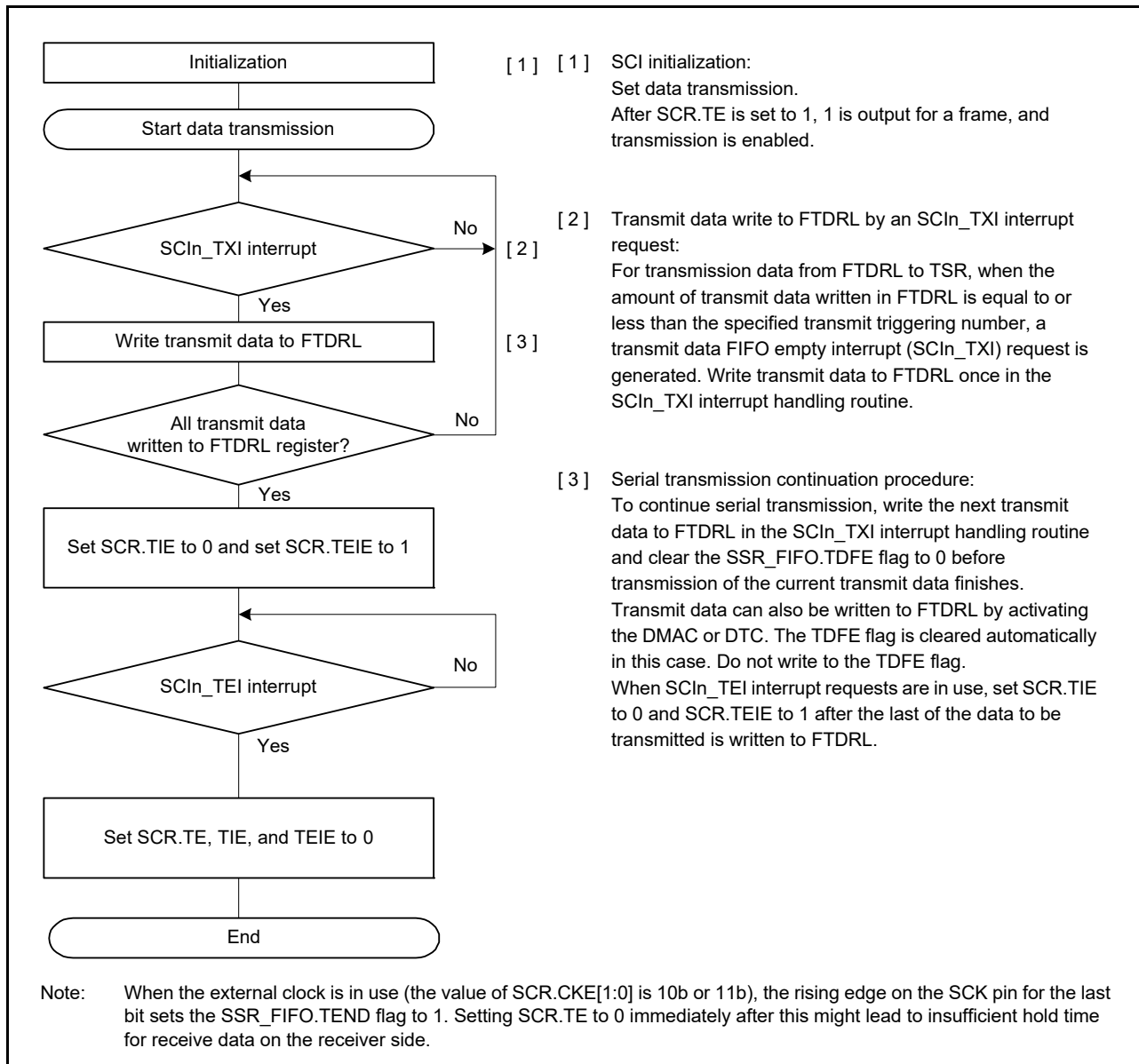


Figure 28.38 Example flow of serial transmission in clock synchronous mode with FIFO selected

28.5.5 Serial Data Reception in Clock Synchronous Mode

(1) Non-FIFO selected

Figure 28.39 and Figure 28.40 show examples of SCI operation for serial reception in clock synchronous mode.

In serial data reception, the SCI operates as follows:

1. When the value of SCR.RE becomes 1, the CTSn_RTsn pin goes low.
2. The SCI performs internal initialization and starts receiving data in synchronization with a synchronization clock input or output, and stores the receive data in RSR.

3. If an overrun error occurs, the SSR.ORER flag is set to 1. If SCR.RIE is 1, an SCIn_ERI interrupt request is generated. Receive data is not transferred to RDR.
4. When reception completes successfully, receive data is transferred to RDR. If SCR.RIE is 1, an SCIn_RXI interrupt request is generated. Continuous reception is enabled by reading the receive data transferred to RDR in the SCIn_RXI interrupt handling routine before reception of the next receive data completes. Reading the received data from RDR causes the CTSn_RTsn pin to output low.

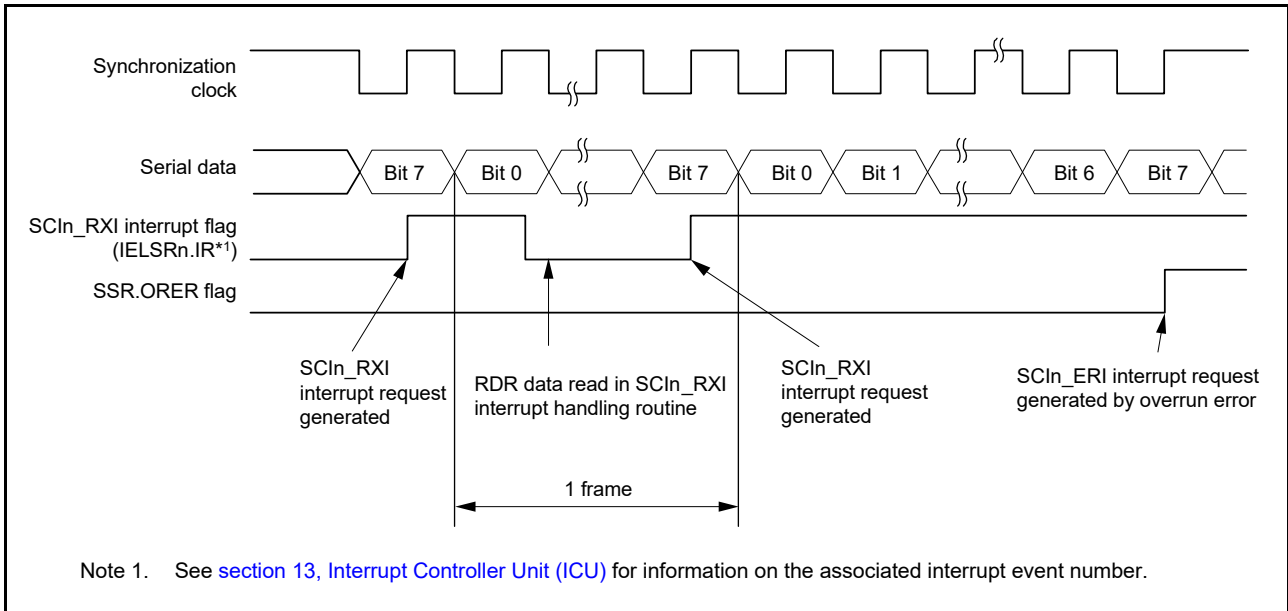


Figure 28.39 Example operation of serial reception in clock synchronous mode (1) when RTS function is not used

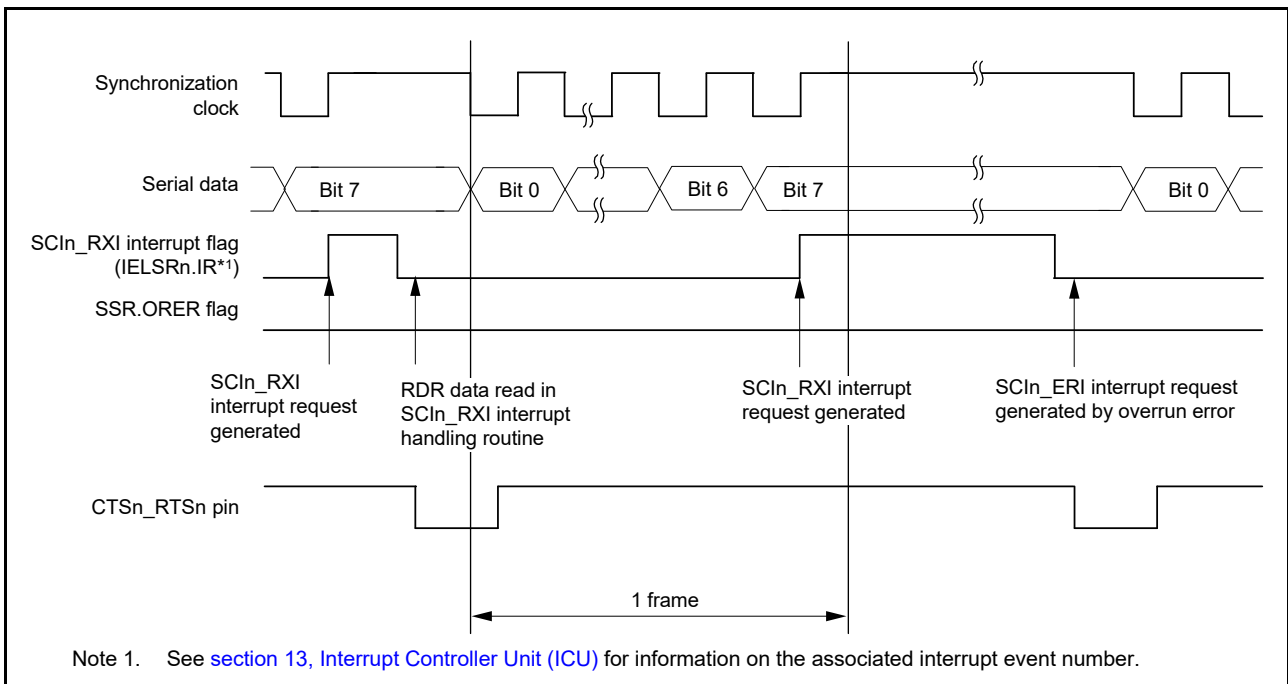


Figure 28.40 Example operation of serial reception in clock synchronous mode (2) when RTS function is used

Data transfer cannot resume while the receive error flag is 1. Therefore, clear the ORER, FER, and PER flags in SSR to 0 before resuming data reception. Additionally, be sure to read the RDR during overrun error processing. When a data reception is forcibly terminated by setting SCR.RE to 0 during operation, read the RDR because received data that is not yet read might be left in the RDR.

Figure 28.41 shows an example flow of serial data reception.

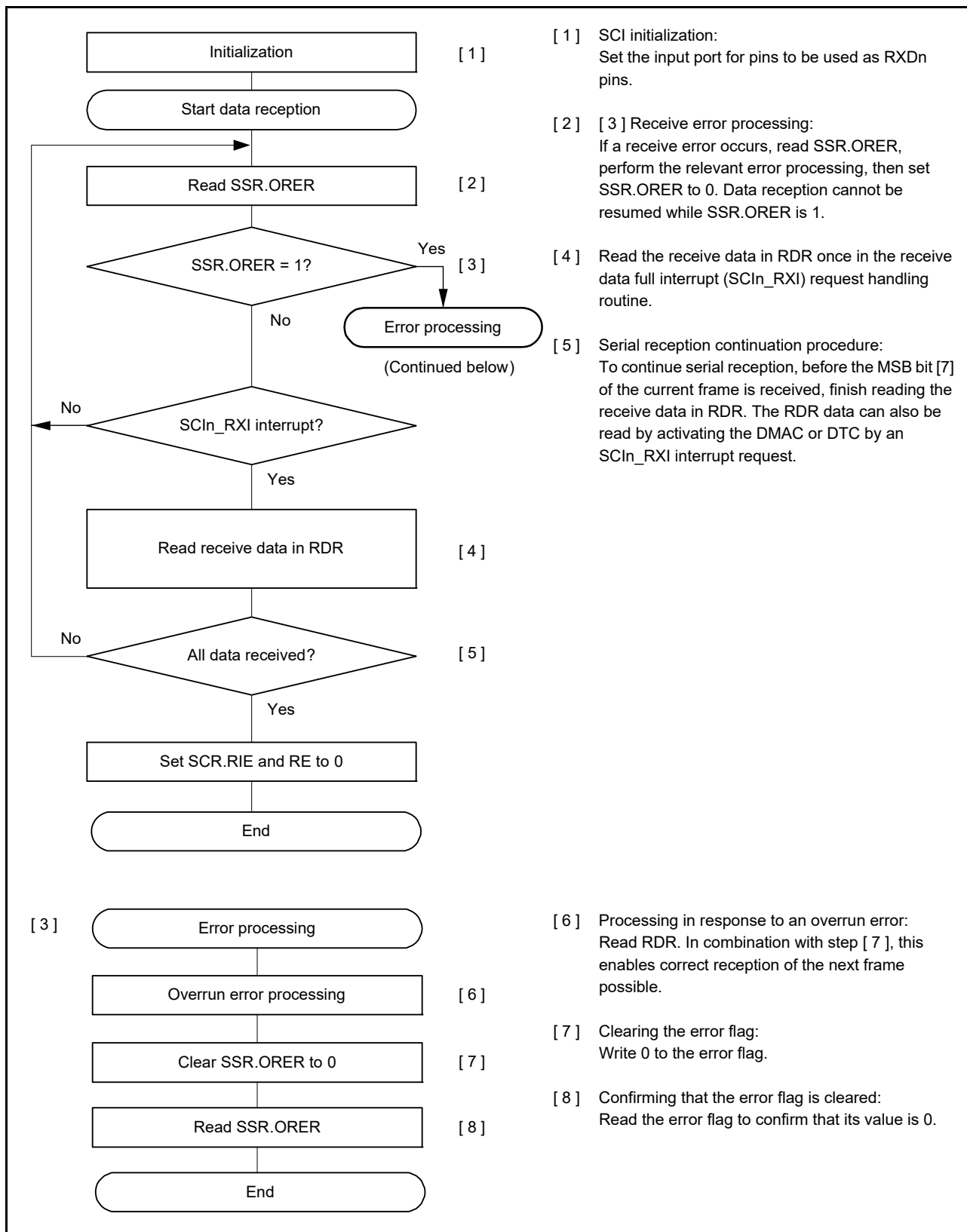


Figure 28.41 Example flow of serial reception in clock synchronous mode with non-FIFO selected

(2) FIFO selected

Figure 28.42 shows an example of serial reception in clock synchronous mode with FIFO selected.

In serial data reception, the SCI operates as follows:

1. When the value of SCR.RE becomes 1, the CTSn_RTSn pin goes low.
2. The SCI performs internal initialization and starts receiving data in synchronization with a synchronization clock input or output, and stores the receive data in RSR.
3. If an overrun error occurs, the ORER flag in SSR_FIFO is set to 1. If SCR.RIE is 1, an SCIn_ERI interrupt request is generated. Receive data is not transferred to FRDRL*1.
4. When data reception completes successfully, the receive data is transferred to FRDRL*1. SSR_FIFO.RDF is set to 1 when the amount of receive data stored in FRDRHL is equal to or greater than the specified receive triggering number. If SCR.RIE is 1, an SCIn_RXI interrupt request is generated. Continuous data reception is enabled by reading the receive data transferred to FRDRL*2 in the SCIn_RXI interrupt handling routine before an overrun error occurs. If the amount of received data that is transferred to FRDRL is less than the RTS trigger number, the CTSn_RTSn pin goes low.

Note 1. In clock synchronous mode, FRDRH is not used.

Note 2. Read data in order from FRDRH to FRDRL when RDF and ORER are read with receive data.

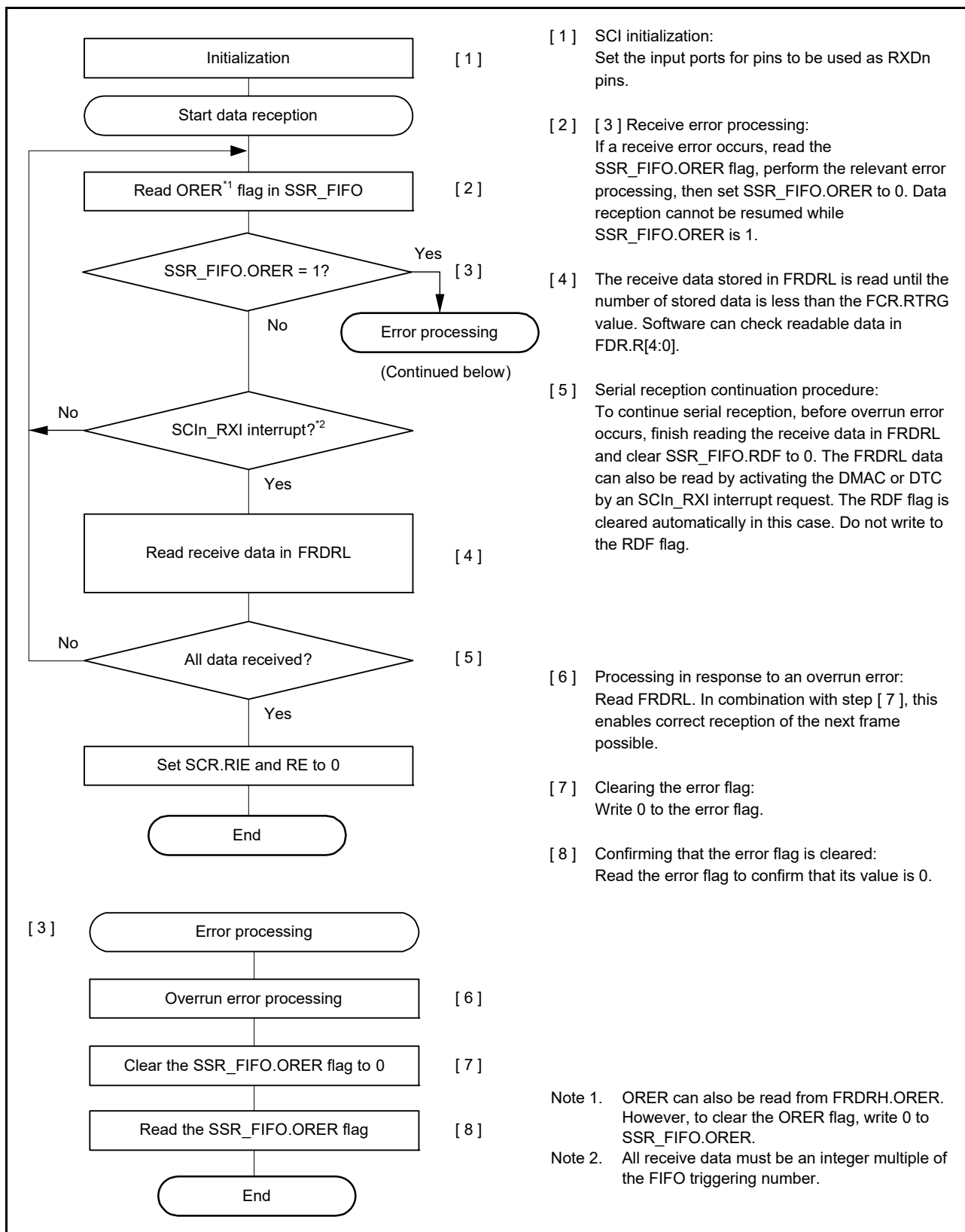


Figure 28.42 Example flow of serial reception in clock synchronous mode with FIFO selected

28.5.6 Simultaneous Serial Data Transmission and Reception in Clock Synchronous Mode

(1) Non-FIFO selected

[Figure 28.43](#) shows an example flow for simultaneous serial transmission and reception operations in clock synchronous mode. After initializing the SCI, use the following procedure for simultaneous serial data transmission and reception operations.

To switch from transmit mode to simultaneous transmit and receive mode:

1. Check that the SCI completes the data transmission by verifying that the TEND flag in the SSR register is set to 1.
2. Initialize the SCR register, then set the TIE, RIE, TE, and RE bits in the SCR register to 1 simultaneously with a single instruction.

To switch from receive mode to simultaneous transmit and receive mode:

1. Check that the SCI completes the data reception.
2. Set SCR.RIE and SCR.RE to 0, then check that the receive error flag ORER in the SSR register is 0.
3. Set the TIE, RIE, TE, and RE bits in the SCR register to 1 simultaneously with a single instruction.

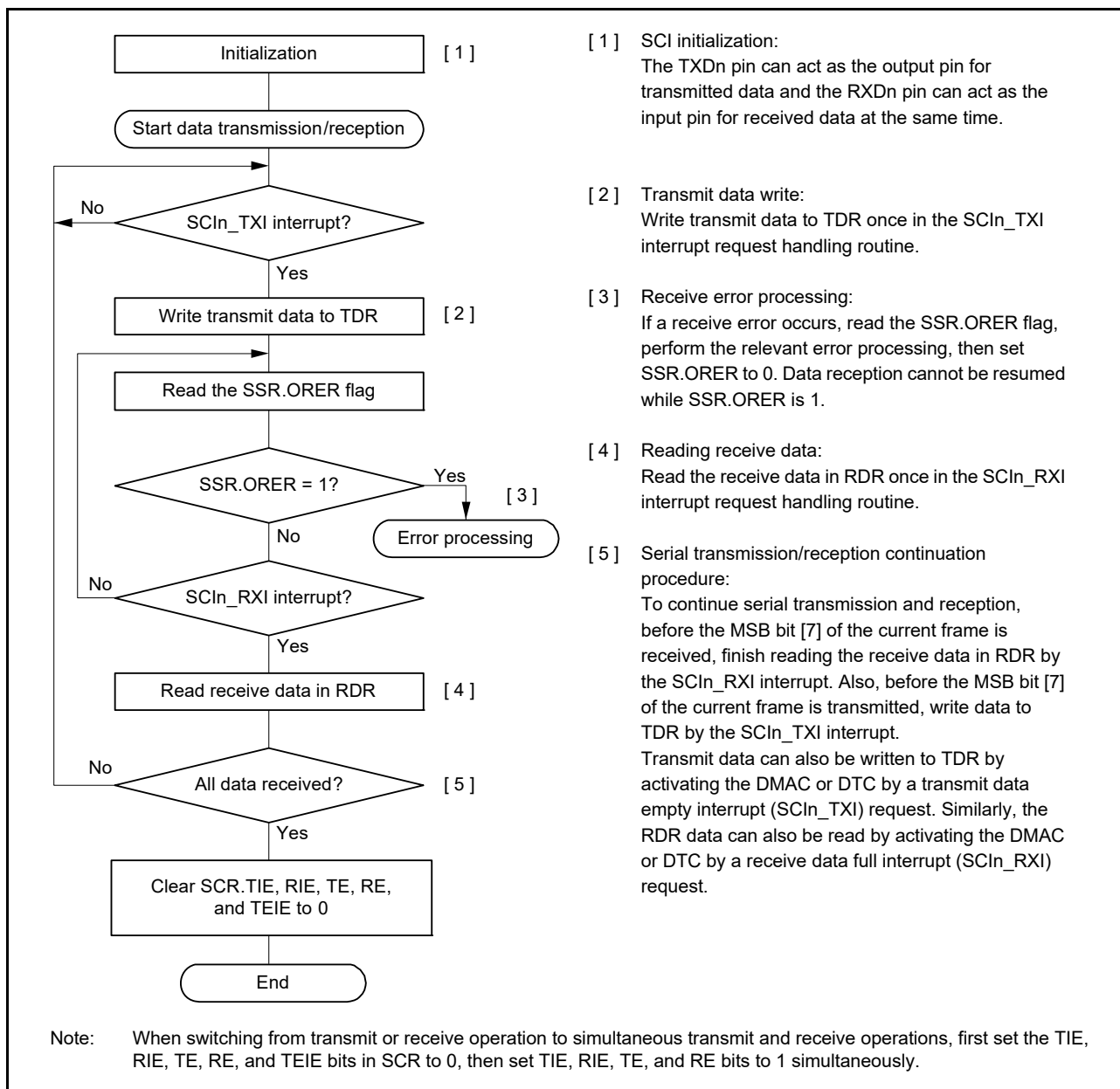


Figure 28.43 Example flow of simultaneous serial transmission and reception in clock synchronous mode with non-FIFO selected

(2) FIFO selected

Figure 28.44 shows an example flow of simultaneous serial transmit and receive operations in clock synchronous mode at FIFO selected.

After initializing the SCI, the following procedure should be used for simultaneous serial data transmit and receive operations.

To switch from transmit mode to simultaneous transmit and receive mode:

1. Check that the SCI completes the transmission by verifying that the TEND flag in the SSR_FIFO register is set to 1.
2. Initialize SCR, then set the TIE, RIE, TE, and RE bits in the SCR register to 1 simultaneously with a single instruction.

To switch from receive mode to simultaneous transmit and receive mode:

1. Check that the SCI completes the reception.

2. Set the SCR.RIE and SCR.RE bits to 0, then check that the receive error flag ORER in the SSR_FIFO register is 0.
3. Set the TIE, RIE, TE, and RE bits in the SCR register to 1 simultaneously with a single instruction.

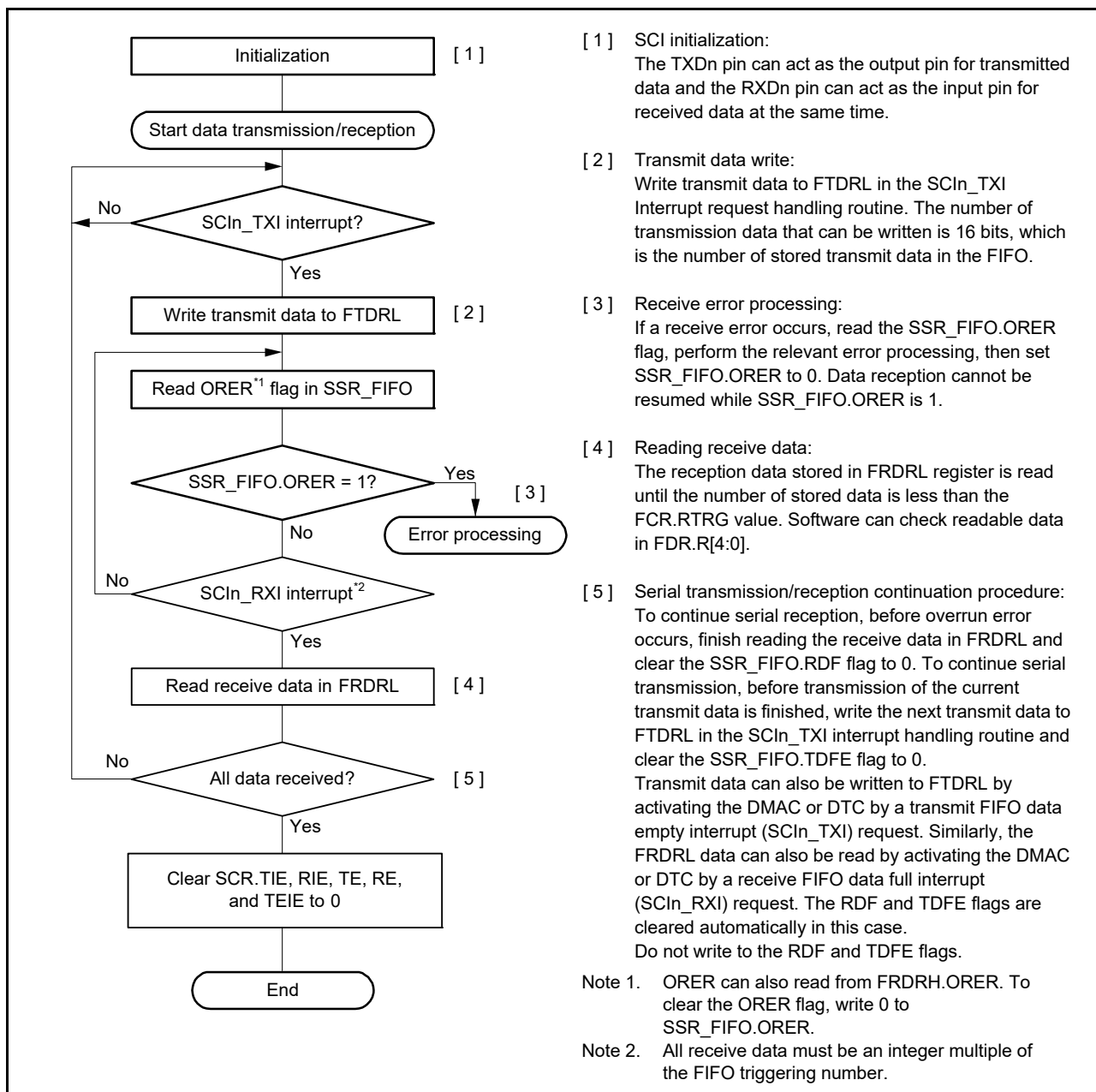


Figure 28.44 Example flow of simultaneous serial transmission and reception in clock synchronous mode with FIFO selected

28.6 Operation in Smart Card Interface Mode

The SCI supports smart card (IC card) interfaces conforming to ISO/IEC 7816-3 (standard for Identification Cards), as an extended function of the SCI.

Smart card interface mode can be selected using the appropriate register.

28.6.1 Sample Connection

Figure 28.45 shows an example connection between a smart card and the MCU.

As shown in Figure 28.45, because the MCU communicates with an IC card using a single transmission line, interconnect the TXDn and RXDn pins and pull up the data transmission line to VCC using a resistor.

Setting the TE and RE bits in SCR_SMCI to 1 with an IC card disconnected enables closed-loop transmission or reception, allowing self-diagnosis. To supply an IC card with the clock pulses generated by the SCI, input the SCKn pin output to the CLK pin of an IC card.

The output port of the MCU can be used to output a reset signal.

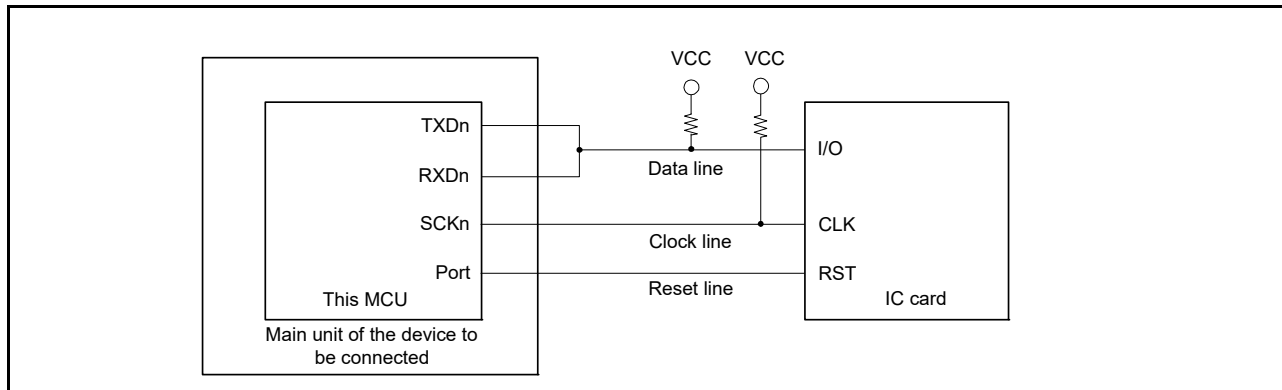


Figure 28.45 Sample connection with a smart card (IC card)

28.6.2 Data Format (Except in Block Transfer Mode)

Figure 28.46 shows the data transfer formats in smart card interface mode.

The data transfer format is as follows:

- One frame consists of 8-bit data and a parity bit in asynchronous mode
- During transmission, a guard time of at least 2 ETU (elementary time unit – the time required to transfer 1 bit) is set from the end of the parity bit until the start of the next frame
- If a parity error is detected during reception, a low error signal is output for 1 ETU after 10.5 ETU elapse from the start bit
- If an error signal is sampled during transmission, the same data is automatically retransmitted after at least 2 ETUs.

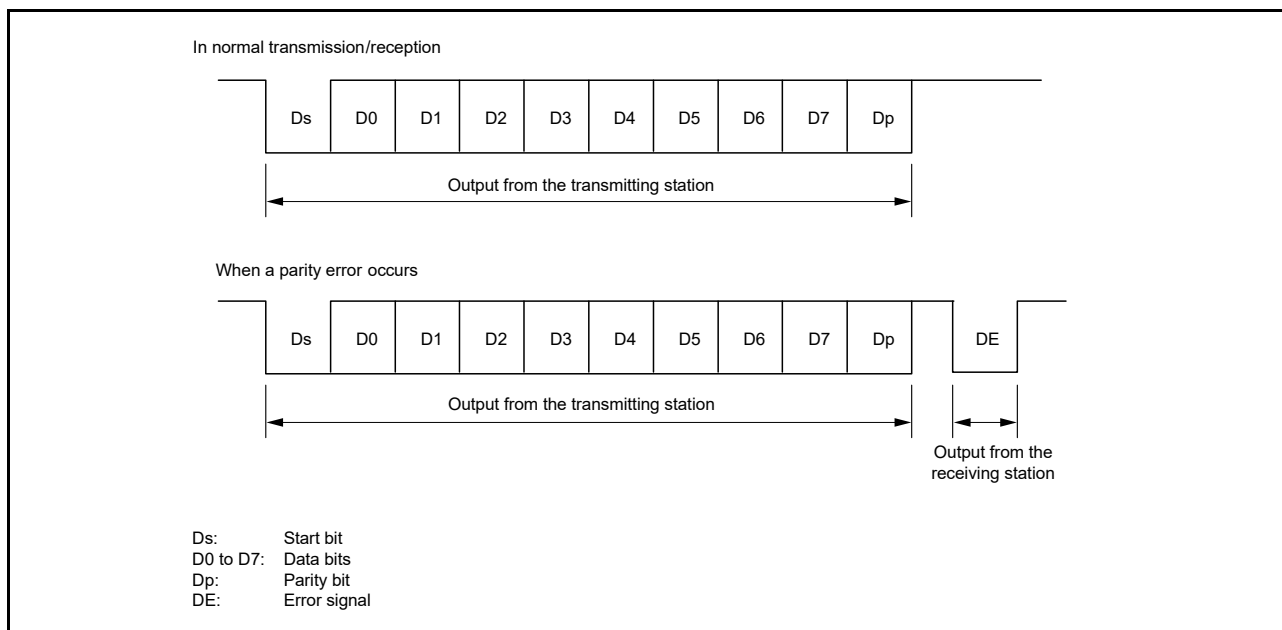


Figure 28.46 Data formats in smart card Interface mode

For communications with IC cards of the direct convention type and inverse convention type, follow the procedure in this section.

(1) Direct convention type

For the direct convention type, logic levels 1 and 0 correspond to the Z and A states, respectively, and data is transferred with LSB-first as the start character, as shown in Figure 28.47. Therefore, data in the start character in Figure 28.47 is 3Bh.

When using the direct convention type, write 0 to both the SDIR and SINV bits in SCMR. Write 0 to the SMR_SMCI.PM bit to use even parity, which is described by the smart card standard.

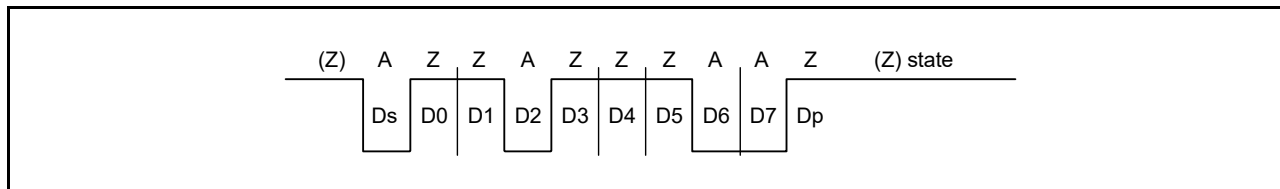


Figure 28.47 Direct convention with SDIR in SCMR = 0, SINV in SCMR = 0, and PM in SMR_SMCI = 0

(2) Inverse convention type

For the inverse convention type, logic levels 1 and 0 correspond to the A and Z states, respectively and data is transferred with MSB-first as the start character, as shown in Figure 28.48. Therefore, data in the start character in Figure 28.48 is 3Fh.

When using the inverse convention type, write 1 to both the SDIR and SINV bits in SCMR. The parity bit is at logic level 0 to produce even parity, which is described by the smart card standard, and corresponds to state Z. Because the SINV bit only inverts data bits D7 to D0, write 1 to the SMR_SMCI.PM bit to invert the parity bit for both transmission and reception.

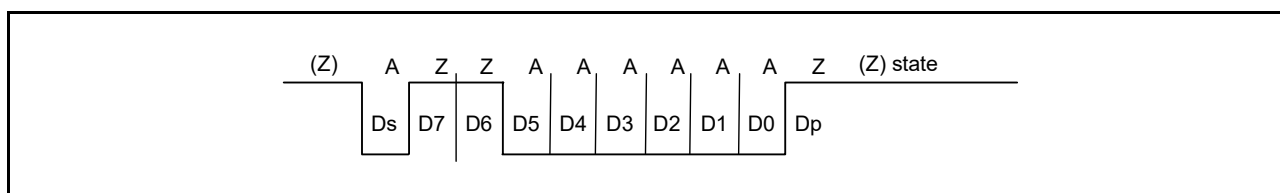


Figure 28.48 Inverse convention with SDIR in SCMR = 1, SINV in SCMR = 1, and PM in SMR_SMCI = 1

28.6.3 Block Transfer Mode

Block transfer mode differs from non-block transfer mode of smart card interface mode in the following respects:

- If a parity error is detected during reception, no error signal is output. Because SSR_SMCI.PER is set by error detection, clear SSR_SMCI.PER before receiving the parity bit of the next frame.
- During transmission, at least 1 ETU is set as a guard time from the end of the parity bit until the start of the next frame
- Because the same data is not retransmitted, the SSR_SMCI.TEND flag is set to 11.5 ETUs after transmission starts
- In block transfer mode, the SSR_SMCI.ERS flag indicates the error signal status as in non-block transfer mode of smart card interface mode, but the flag is read as 0 because no error signal is transferred.

28.6.4 Receive Data Sampling Timing and Reception Margin

Only the clock generated by the on-chip baud rate generator can be used as a transfer clock in smart card interface mode.

In this mode, the SCI can operate on a base clock with a frequency of 32, 64, 372, 256, 93, 128, 186, or 512 times the bit rate according to the settings of SCMR.BCP2 and SMR_SMCI.BCP[1:0].

For data reception, the SCI samples the falling edge of the start bit using the base clock, and performs synchronization.

Receive data is sampled on the 16th, 32nd, 186th, 128th, 46th, 64th, 93rd, and 256th rising edges of the base clock so that it can be latched at the middle of each bit as Figure 28.49 shows. The reception margin is determined by the following formula:

$$M = \left| \left(0.5 - \frac{1}{2N} \right) - (L - 0.5) F - \frac{|D - 0.5|}{N} (1 + F) \right| \times 100 \text{ [%]}$$

M: Reception margin (%)

N: Ratio of bit rate to clock (N = 32, 64, 372, 256)

D: Duty cycle of clock (D = 0 to 1.0)

L: Frame length (L = 10)

F: Absolute value of clock frequency deviation

Assuming values of F = 0, D = 0.5, and N = 372 in the specified formula, the reception margin is determined by the following formula:

$$M = \{0.5 - 1/(2 \times 372)\} \times 100 \text{ [%]} = 49.866\%$$

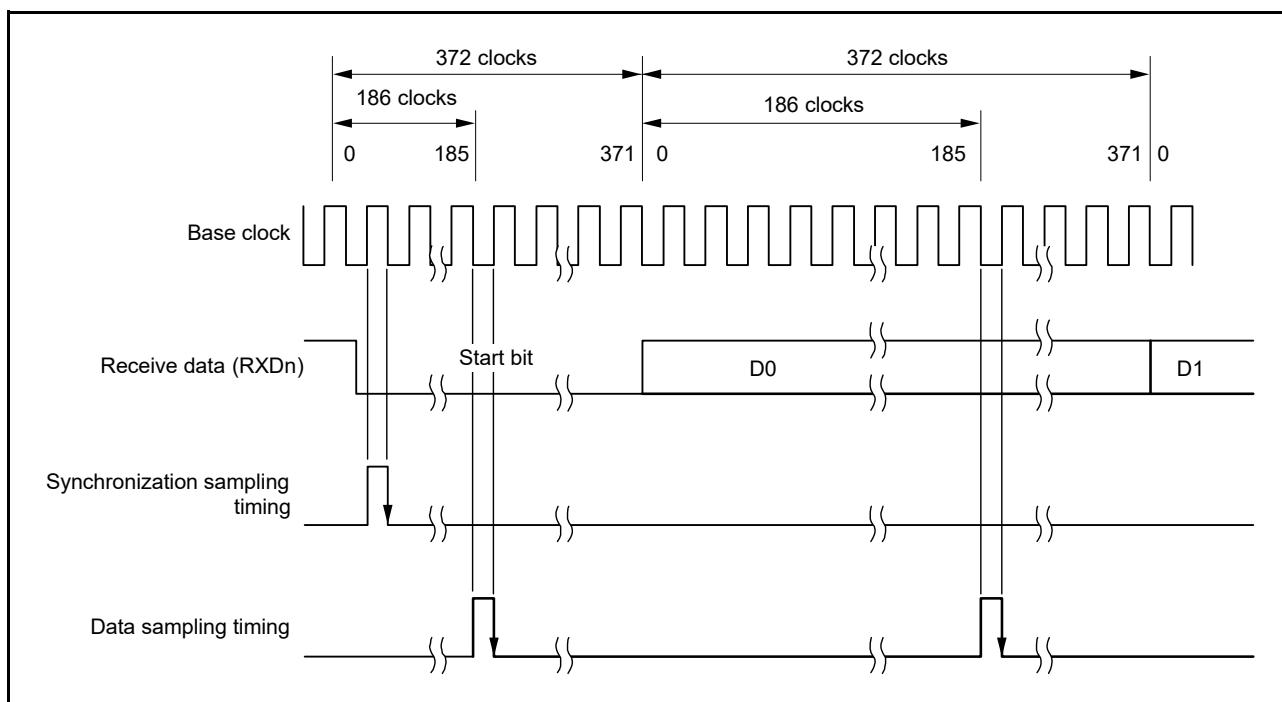


Figure 28.49 Receive data sampling timing in smart card interface mode when clock frequency is 372 times the bit rate

28.6.5 SCI Initialization

Before transmitting and receiving data, write the initial value 00h to SCR_SMCI and initialize the SCI as shown in the example in [Figure 28.50](#).

Be sure to set the initial value in the TIE, RIE, TE, RE, TEIE bits in SCR_SMCI before switching from transmission to reception mode or from reception to transmission mode. When SCR_SMCI.RE is set to 0, the RDR register is not initialized.

To change reception mode to transmission mode, first check that reception is complete, then initialize the SCI. At the end of initialization, set SCR_SMCI.TE = 1 and SCR_SMCI.RE = 0. Reception completion can be verified by reading the SCIIn_RXI request, or ORER or PER flag in SSR_SMCI.

To change transmission mode to reception mode, first check that transmission is complete, then initialize the SCI. At the end of initialization, set SCR_SMCI.TE = 0 and SCR_SMCI.RE = 1. Transmission completion can be verified by reading the SSR_SMCI.TEND flag.

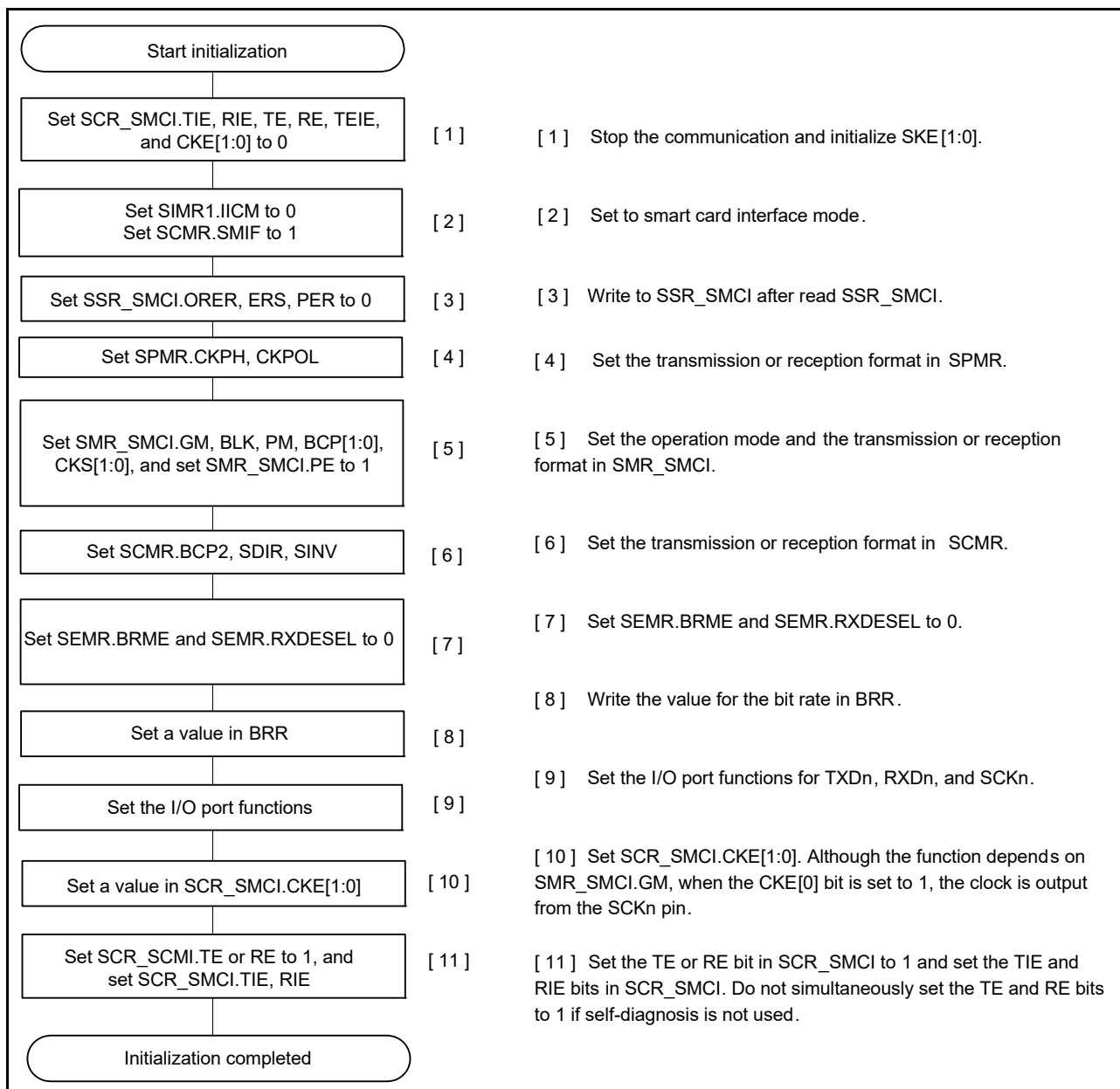


Figure 28.50 Example flow of SCI initialization in smart card interface mode

Figure 28.51 shows a timing diagram when data transmission is performed by transitioning to smart card interface mode according to the flow in Figure 28.50. Figure 28.51 shows when the GM bit in SMR_SMCI is set to 0. The timing in Figure 28.51 shows when the port is connected as SCKn and TXDn, the pins are Hi-Z because CKE[0] bit in SCR_SMCI is 0.

Start the clock output to the SCK pin by setting CKE[0] bit in SCR_SMCI to 1, then start data transmission by writing transmit data after setting TE bit in SCR_SMCI to 1. When the TE bit in SCR_SMCI changes from 0 to 1, there is a preamble period for one frame before data transmission starts. In smart card interface mode, the TXDn pin is Hi-Z during a preamble period. Pull-up or pull-down for the SCKn and TXDn pins is required outside the MCU.

In smart card interface mode, even when the TE and RE bits in SCR_SMCI are 0, the clock is continuously output if the clock output setting is used.

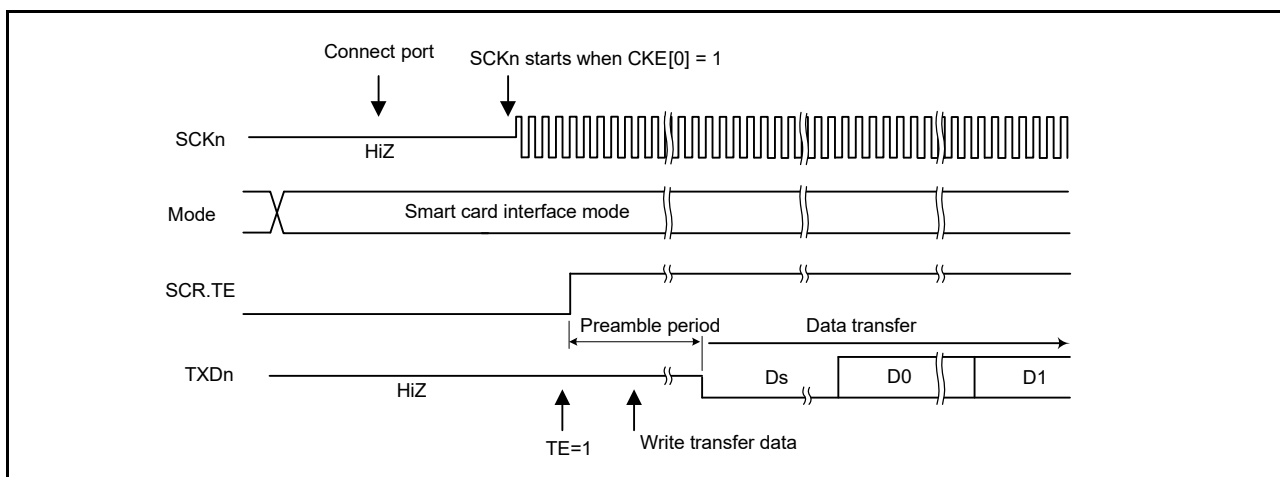


Figure 28.51 Example timing of data transmission in smart card interface mode

28.6.6 Serial Data Transmission (Except in Block Transfer Mode)

Serial data transmission in smart card interface mode (except in block transfer mode) is different from that in non-smart card interface mode, in that an error signal is sampled and data can be retransmitted in smart card mode. [Figure 28.52](#) shows the data retransfer operation during transmission.

- [1] indicates when an error signal from the receiver end is sampled after 1-frame data is transmitted, the ERS flag in SSR_SMCI is set to 1. If SCR_SMCI.RIE is 1, an SCIn_ERI interrupt request is generated. Clear the SSR_SMCI.ERS flag to 0 before the next parity bit is sampled.
- [2] indicates for a frame in which an error signal is received, the TEND flag in SSR_SMCI is not set. Data is retransferred from TDR to TSR allowing automatic data retransmission.
- [3] indicates if no error signal is returned from the receiver, the ERS flag is not set to 1.
- [4] indicates the SCI determines that transmission of 1-frame data, including the retransfer is complete, and the TEND flag is set. If the TIE bit in SCR_SMCI is 1, an SCIn_TXI interrupt request is generated. Write transmit data to the TDR to start transmission of the next data.

[Figure 28.54](#) shows an example flow of serial transmission. All the processing steps are automatically performed using an SCIn_TXI interrupt request to activate the DMAC or DTC.

When the SSR_SMCI.TEND flag is set to 1 in transmission and when SCR_SMCI.TIE is 1, an SCIn_TXI interrupt request is generated.

The DMAC or DTC is activated by an SCIn_TXI interrupt request if the SCIn_TXI interrupt request is specified as a source of DMAC or DTC activation beforehand, allowing the transfer of transmit data. The TEND flag is automatically set to 0 when the DMAC or DTC transfers the data.

If an error occurs, the SCI automatically retransmits the same data. During this retransmission, the TEND flag is kept to 0 and the DMAC or DTC is not activated. Therefore, the SCI and DMAC or DTC automatically transmit the specified number of bytes, including retransmission when an error occurs. Because the ERS flag is not automatically cleared, set the RIE bit to 1 to enable an SCIn_ERI interrupt request generation when an error occurs, and clear the ERS flag to 0.

When transmitting or receiving data using the DMAC or DTC, be sure to enable the DMAC or DTC before setting the SCI.

For DMAC or DTC settings, see [section 16, DMA Controller \(DMAC\)](#) and [section 17, Data Transfer Controller \(DTC\)](#).

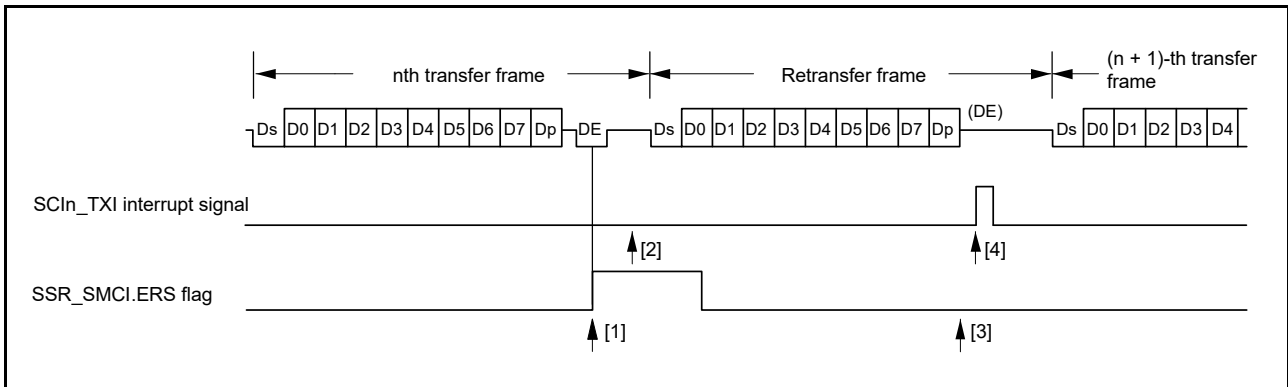


Figure 28.52 Data retransfer operation in SCI transmission mode

Note: The SSR_SMCI.TEND flag is set at different timings depending on the GM bit setting in SMR_SMCI.

Figure 28.53 shows the TEND flag generation timing.

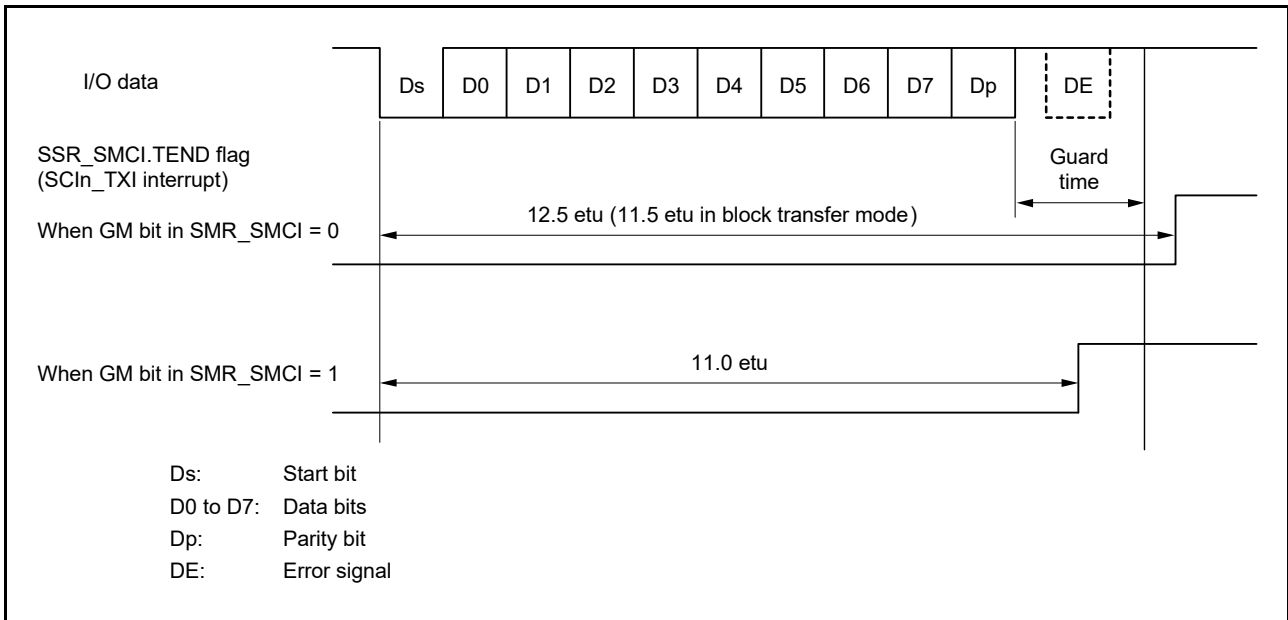


Figure 28.53 SSR.TEND flag generation timing during transmission

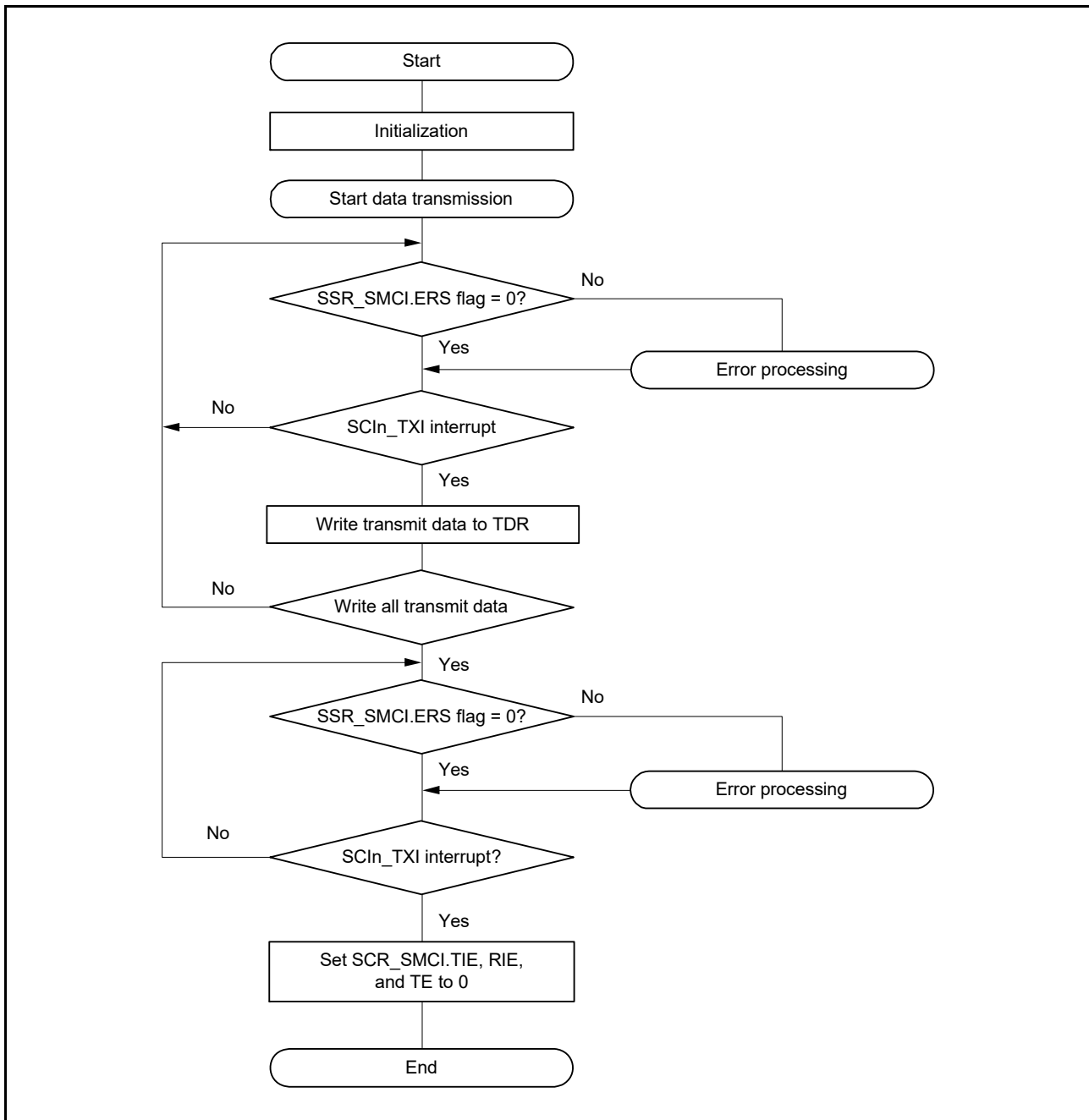


Figure 28.54 Example flow of smart card interface transmission

28.6.7 Serial Data Reception (Except in Block Transfer Mode)

Serial data reception in smart card interface mode is similar to that in non-smart card interface mode. [Figure 28.55](#) shows the data retransfer operation in reception mode.

- [1] indicates if a parity error is detected in the receive data, the PER flag in SSR_SMCI is set to 1. When the RIE bit in SCR_SMCI is 1, an SCIn_ERI interrupt request is generated. Clear the PER flag to 0 before the next parity bit is sampled.
- [2] indicates for a frame in which a parity error is detected, no SCIn_RXI interrupt is generated.
- [3] indicates when no parity error is detected, the SSR_SMCI.PER flag is not set to 1.
- [4] indicates the data is determined to be received successfully. When the RIE bit in SCR_SMCI is 1, an SCIn_RXI interrupt request is generated.

Figure 28.56 shows an example flow of serial data reception. All the processing steps are automatically performed using an SCIn_RXI interrupt request to activate the DMAC or DTC.

In reception, setting the RIE bit to 1 allows an SCIn_RXI interrupt request to be generated. The DMAC or DTC is activated by an SCIn_RXI interrupt request if the SCIn_RXI interrupt request is specified as a source of DMAC or DTC activation beforehand, allowing the transfer of receive data.

If an error occurs during reception and either the ORER or PER flag in SSR_SMCI is set to 1, a receive error interrupt (SCIn_ERI) request is generated. Clear the error flag after the error occurrence. If an error occurs, the DMAC or DTC is not activated and receive data is skipped. Therefore, the number of bytes of receive data specified in the DMAC or DTC is transferred.

If a parity error occurs and the PER flag is set to 1 during reception, the receive data is transferred to RDR, therefore allowing the data to be read.

When a reception is forcibly terminated by setting SCR_SMCI.RE to 0 during operation, read the RDR register because the received data that is not yet read might be left in the RDR.

For operations in block transfer mode, see section 28.3.9, Serial Data Reception (Asynchronous Mode).

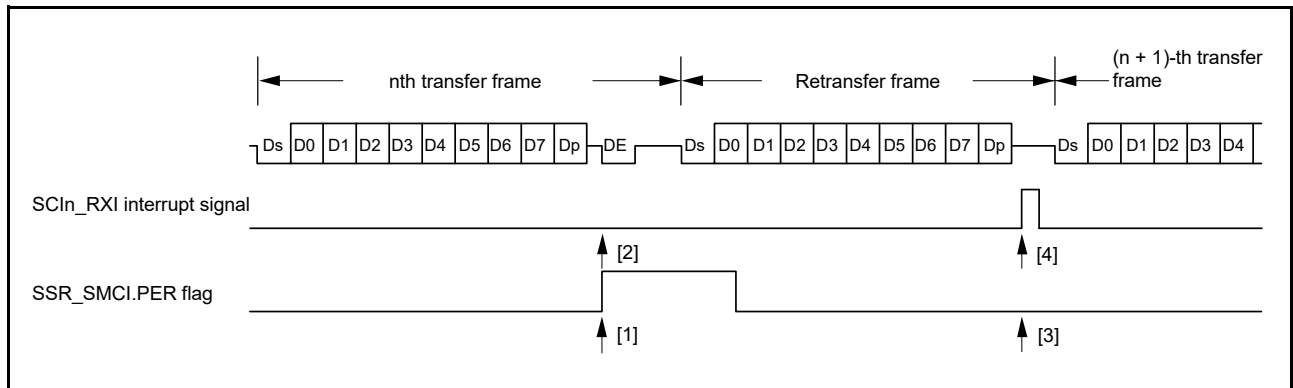


Figure 28.55 Data retransfer operation in SCI reception mode with data retransfer operation during reception

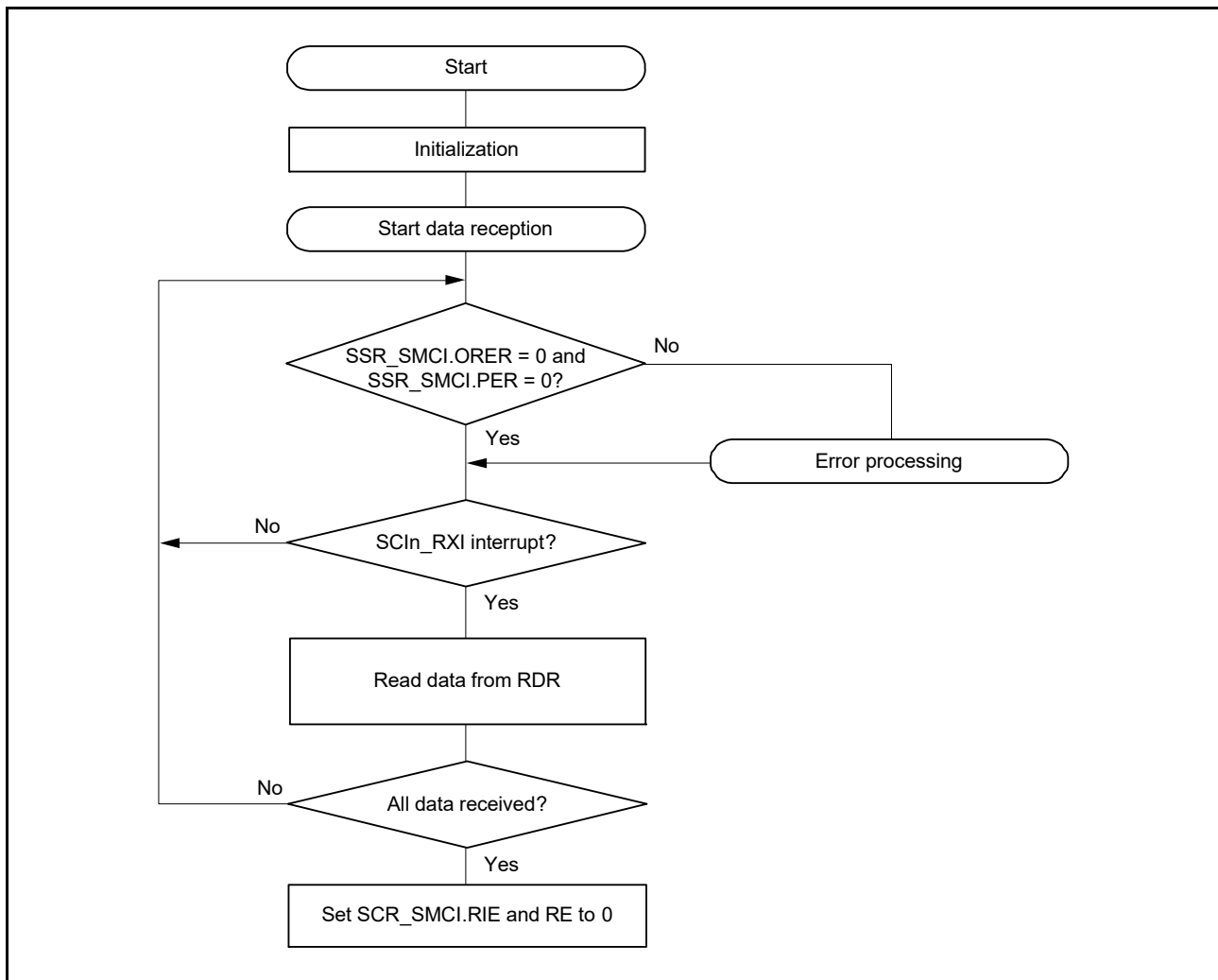


Figure 28.56 Example flow of smart card interface reception

28.6.8 Clock Output Control

When the GM bit in SMR_SMCI is set to 1, the clock output can be controlled by the CKE[1:0] bits in SCR_SMCI. For details on the CKE[1:0] bits, see [section 28.2.12, Serial Control Register for Smart Card Interface Mode \(SCR_SMCI\)\(SCMR.SMIF = 1\)](#). When setting the clock output, the base clock described in [section 28.6.4, Receive Data Sampling Timing and Reception Margin](#) is output.

[Figure 28.57](#) shows an example timing for the clock output control when the CKE[1] bit in SCR_SMCI is set to 0 and the CKE[0] bit in SCR_SMCI is controlled.

When the GM bit in SMR_SMCI is 0, output control by the CKE[0] bit in SCR_SMCI is immediately reflected on the SCK pin, so there is a possibility that pulses with an unintended width might be output from the SCK pin.

When the GM bit in SMR_SMCI is 1, the clock with the same pulse width as the base clock is output even if the CKE[0] bit in SCR_SMCI is changed.

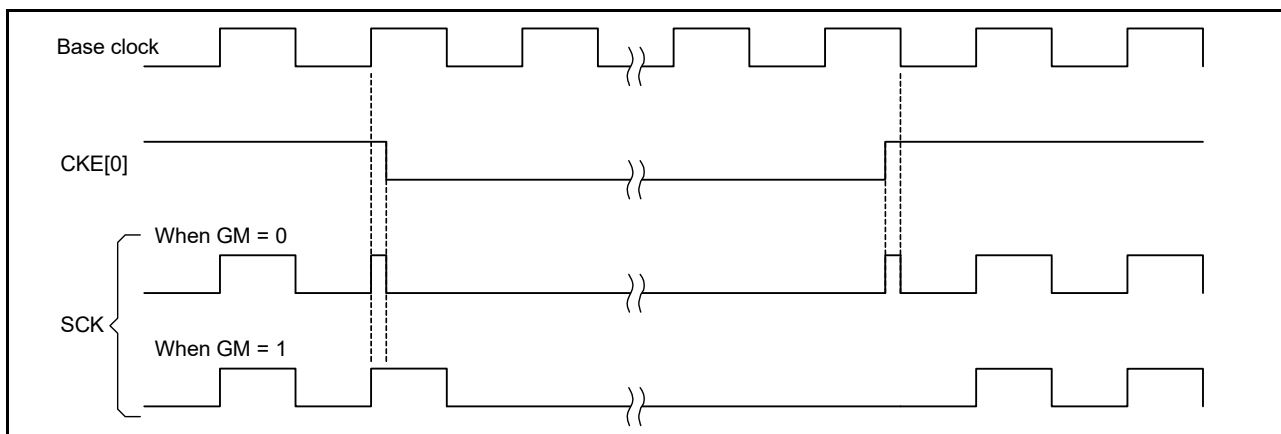


Figure 28.57 Clock output control

28.7 Operation in Simple IIC Mode

Simple I²C bus format is composed of 8 data bits and an acknowledge bit. By continuing into a slave-address frame after a start condition or restart condition, a master device can specify a slave device as the partner for communications. The currently specified slave device remains valid until a new slave device is specified or a stop condition is satisfied. The 8 data bits in all frames are transmitted in order from the MSB.

The I²C bus format and timing are shown in Figure 28.58 and Figure 28.59.

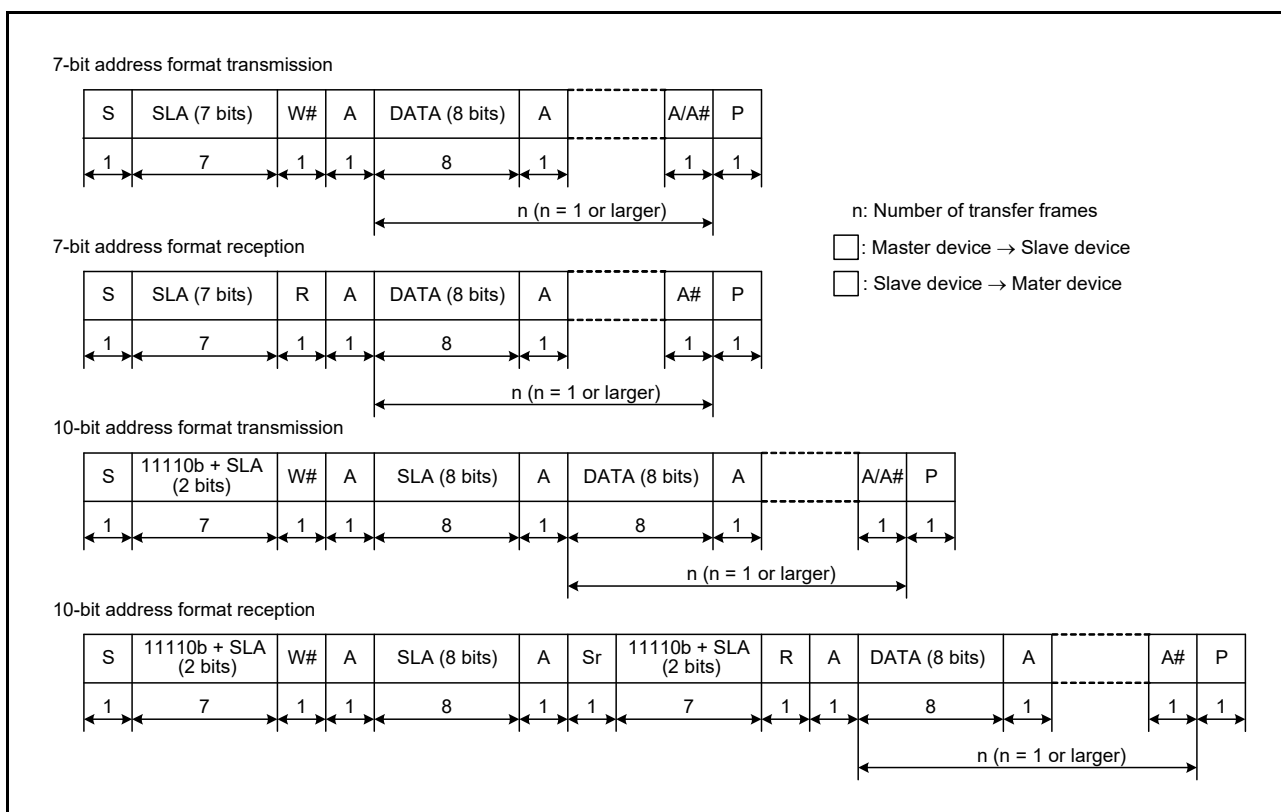


Figure 28.58 I²C bus format

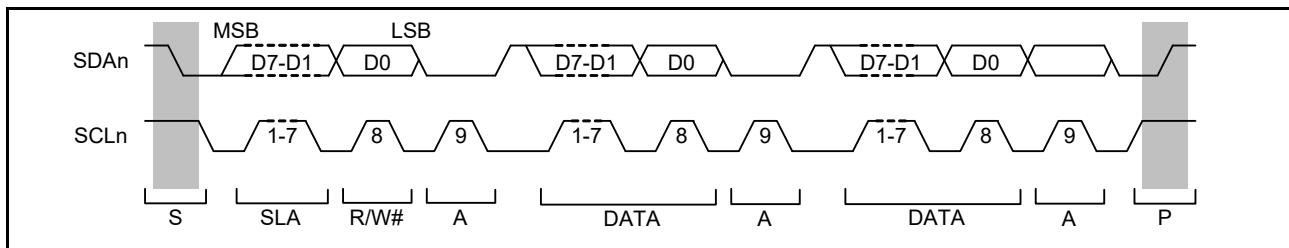


Figure 28.59 I²C bus timing when SLA is 7 bits

S: Indicates a start condition, when the master device changes the level on the SDA_n line from high to low while the SCL_n line is high.

SLA: Indicates a slave address, by which the master device selects a slave device.

R/W#: Indicates the direction of transfer (reception or transmission). The value 1 indicates transfer from the slave device to the master device and 0 indicates transfer from the master device to the slave device.

A/A#: Indicates an acknowledge bit. This is returned by the slave device for master transmission and by the master device for master reception. Return to low indicates ACK and return to high indicates NACK.

Sr: Indicates a restart condition, when the master device changes the level on the SDA_n line from high to low while the SCL_n line is high and after the setup time elapses.

DATA: Indicates the data being received or transmitted.

P: Indicates a stop condition, when the master device changes the level on the SDA_n line from low to high while the SCL_n line is high.

28.7.1 Generation of Start, Restart, and Stop Conditions

Writing 1 to the IICSTAREQ bit in SIMR3 causes the generation of a start condition. The generation of a start condition proceeds through the following operations:

- The level on the SDA_n line falls (from high level to low level) and the SCL_n line is kept in the released state
- The hold time for the start condition is set as half of a bit period at the bit rate determined by the setting of BRR
- The level on the SCL_n line falls (from high level to low level), the IICSTAREQ bit in SIMR3 is set to 0, and a start-condition generated interrupt is output.

Writing 1 to the IICRSTAREQ bit in SIMR3 causes the generation of a restart condition. The generation of a restart condition proceeds through the following operations:

- The SDA_n line is released and the SCL_n line is kept at a low level
- The period at low level for the SCL_n line is set as half of a bit period at the bit rate determined by the BRR setting
- The SCL_n line is released (transition from low level to high level)
- When the high level on the SCL_n line is detected, the setup time for the restart condition is set as half of a bit period at the bit rate determined by the BRR setting
- The level on the SDA_n line falls (from high level to low level)
- The hold time for the restart condition is set as half of a bit period at the bit rate determined by the BRR setting
- The level on the SCL_n line falls (from high level to low level), the IICRSTAREQ bit in SIMR3 is set to 0, and a restart-condition generated interrupt is output.

Writing 1 to the IICSTPREQ bit in SIMR3 causes the generation of a stop condition. The generation of a stop condition proceeds through the following operations:

- The level on the SDA_n line falls (from high level to low level) and the SCL_n line is kept at a low level
- The period at low level for the SCL_n line is set as half of a bit period at the bit rate determined by the BRR setting
- The SCL_n line is released (transition from low level to high level)

- When the high level on the SCLn line is detected, the setup time for the stop condition is set as half of a bit period at the bit rate determined by the BRR setting
- The SDA_n is released (transition from low level to high level), the IICSTPREQ bit in SIMR3 is set to 0, and a stop-condition generated interrupt is output.

Figure 28.60 shows the timing of operations in the generation of start, restart, and stop conditions.

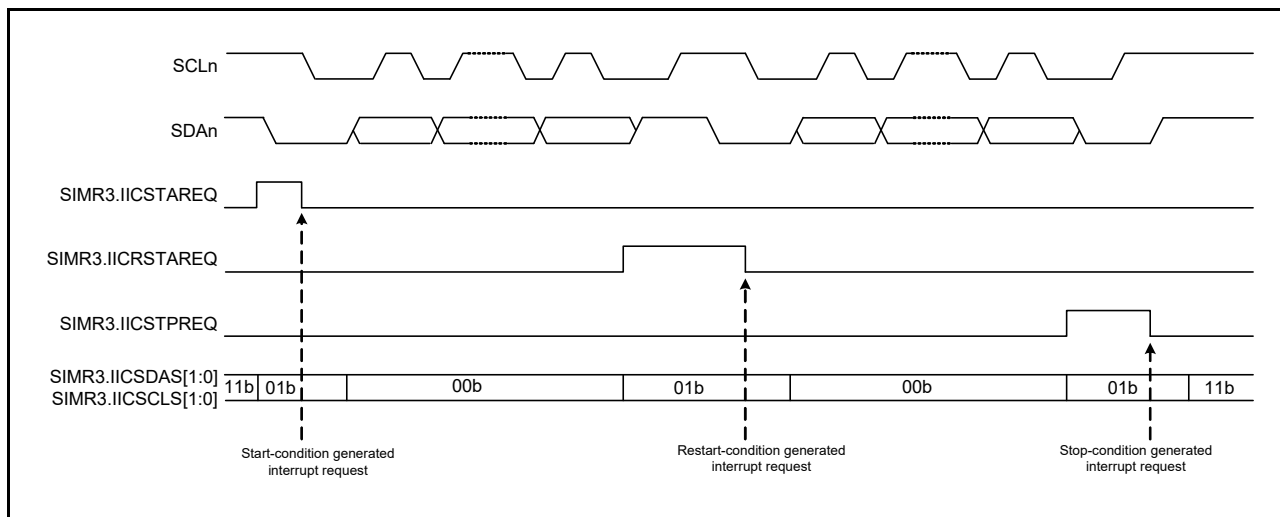


Figure 28.60 Timing of operations to generate start, restart, and stop conditions

28.7.2 Clock Synchronization

The SCLn line can be driven low if a wait is inserted by a slave device at the other side of transfer. Setting the IICCSC bit in SIMR2 to 1 allows clock synchronization control when a difference arises between the levels of the internal SCLn clock signal and the level being input on the SCLn pin.

When SIMR2.IICCSC is set to 1, the level of the internal SCLn clock signal changes from low to high. Counting to determine the period at a high level stops while the low level is input on the SCLn pin, and counting to determine the period at a high level starts after the input on the SCLn pin transitions to the high level.

The interval from the time until counting, to determine the period at high level that starts on the transition of the SCLn pin to the high level, is the total of the delay of SCLn output, delay for noise filtering of the input on the SCLn pin (2 or 3 cycles of sampling clock for the noise filter), and delay for internal processing (1 or 2 PCLKA cycles). The period at high level of the internal SCLn clock is extended even when other devices are not placing the low level on the SCLn line.

If SIMR2.IICCSC is 1, synchronization is obtained for the transmission and reception of data by taking the logical AND of the input on the SCLn pin and the internal SCLn clock. If SIMR2.IICCSC is 0, synchronization with the internal SCLn clock is obtained for the transmission and reception of data.

If a slave device inserts a wait period into the interval until the transition of the internal SCLn clock signal from the low to the high level after a request for the generation of a start, restart, or stop condition is issued, the time until generation is prolonged by that period.

If a slave device inserts a wait period after the transition of the internal SCLn clock signal from the low to the high level, although the generation-completed interrupt is issued without stopping the waiting period, generation of the condition itself is not guaranteed. Figure 28.61 shows an example operation to synchronize the clocks.

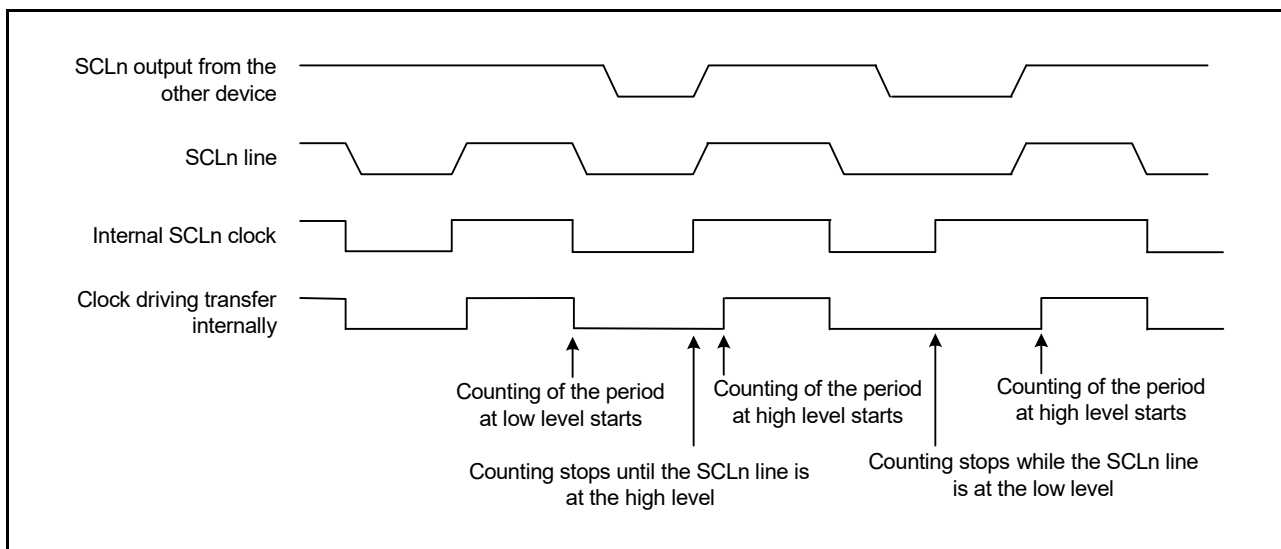


Figure 28.61 Example operation for clock synchronization

28.7.3 SDA Output Delay

The IICDL[4:0] bits in SIMR1 can be used to set a delay for output on the SDAn pin relative to the falling edges of output on the SCLn pin. Delay-time settings from 0 to 31 are selectable. The delay settings represent periods of the associated numbers of cycles of the clock signal from the on-chip baud rate generator (derived by frequency-dividing the base clock, PCLKA, by the divisor selected in SMR.CKS[1:0]). A delay for output on the SDAn pin applies to the start condition, restart condition, stop condition signal, 8-bit transmit data, and an acknowledge bit.

If the SDAn output delay is shorter than the time for the level on the SCLn pin to fall, the change of the output on the SDAn pin starts while the output level on the SCLn pin is falling, creating a possibility of erroneous operation for slave devices. Ensure that settings for the output delay on the SDAn pin specify a time period greater than the time that the output on the SCLn pin takes to fall (300 ns for IIC in Standard mode and Fast mode).

Figure 28.62 shows the timing of delays in SDAn output.

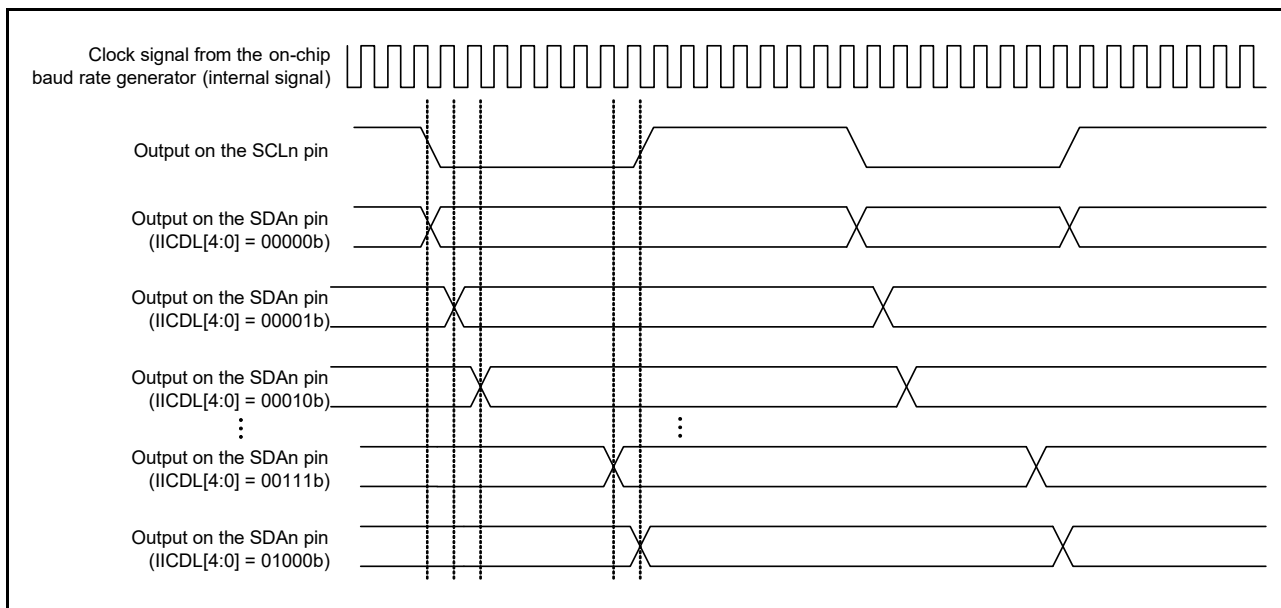


Figure 28.62 Timing of delays in SDAn output

28.7.4 SCI Initialization in Simple IIC Mode

Before transferring data, write the initial value 00h to SCR and initialize the interface as shown in the example in [Figure 28.63](#).

Before making any changes to the operating mode or transfer format, be sure to set SCR to its initial value. In simple IIC mode, the open-drain setting for the communication ports should be made on the port side.

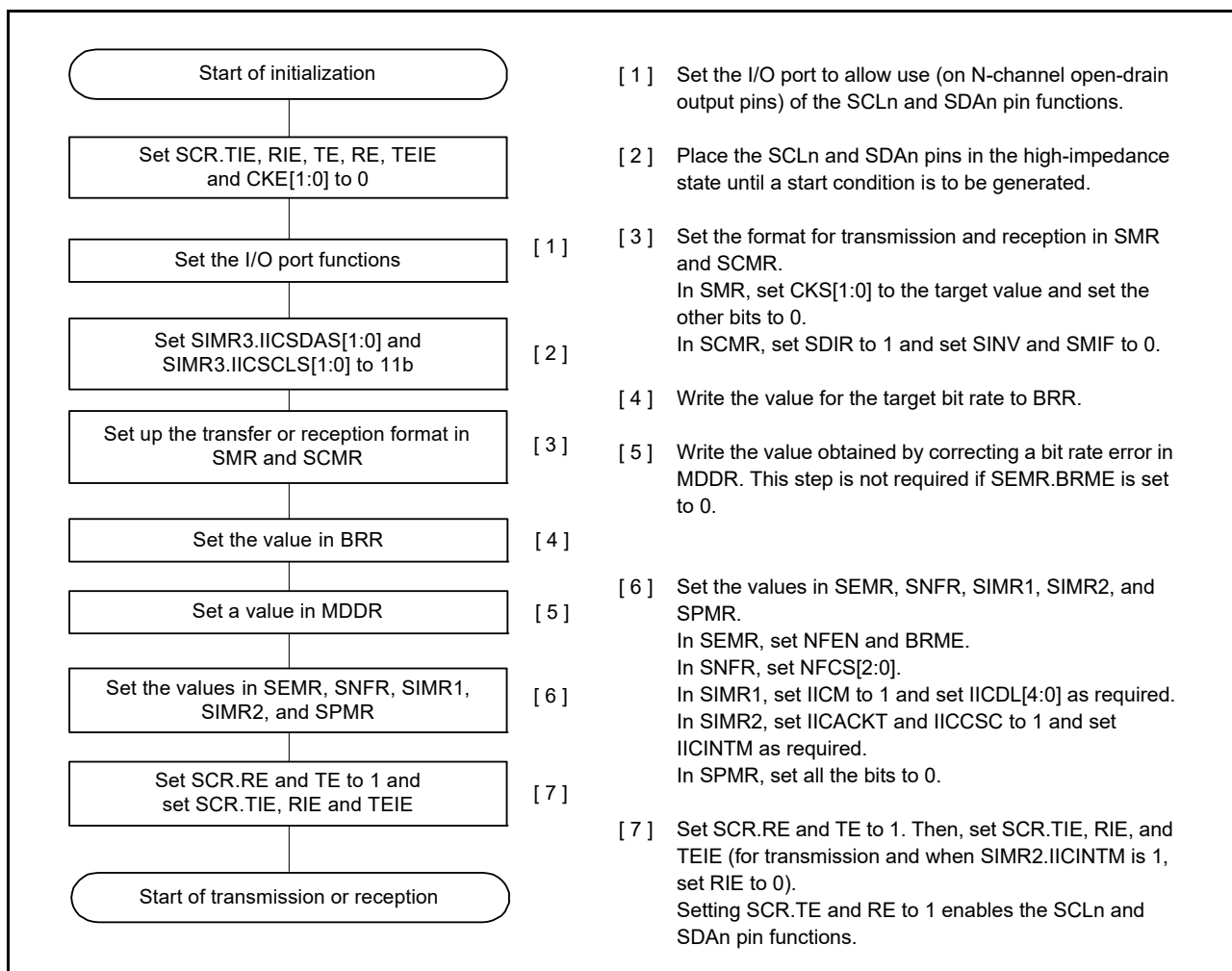


Figure 28.63 Example flow of SCI initialization in simple IIC mode

28.7.5 Operation in Master Transmission (Simple IIC Mode)

[Figure 28.64](#) and [Figure 28.65](#) show examples of master transmission and [Figure 28.66](#) shows an example flow of data transmission. The value of SIMR2.IICINTM is assumed to be 1 (use reception and transmission interrupts) and the value of SCR.RIE is assumed to be 0 (SCIn_RXI and SCIn_ERI interrupt requests are disabled). See [Table 28.28](#) for more information on the STI interrupt.

When 10-bit slave addresses are in use, steps [3] and [4] in [Figure 28.66](#) are repeated twice.

In simple IIC mode, the transmit data empty interrupt (SCIn_TXI) is generated when communication of one frame is complete, unlike the SCIn_TXI interrupt request generation timing during clock synchronous transmission.

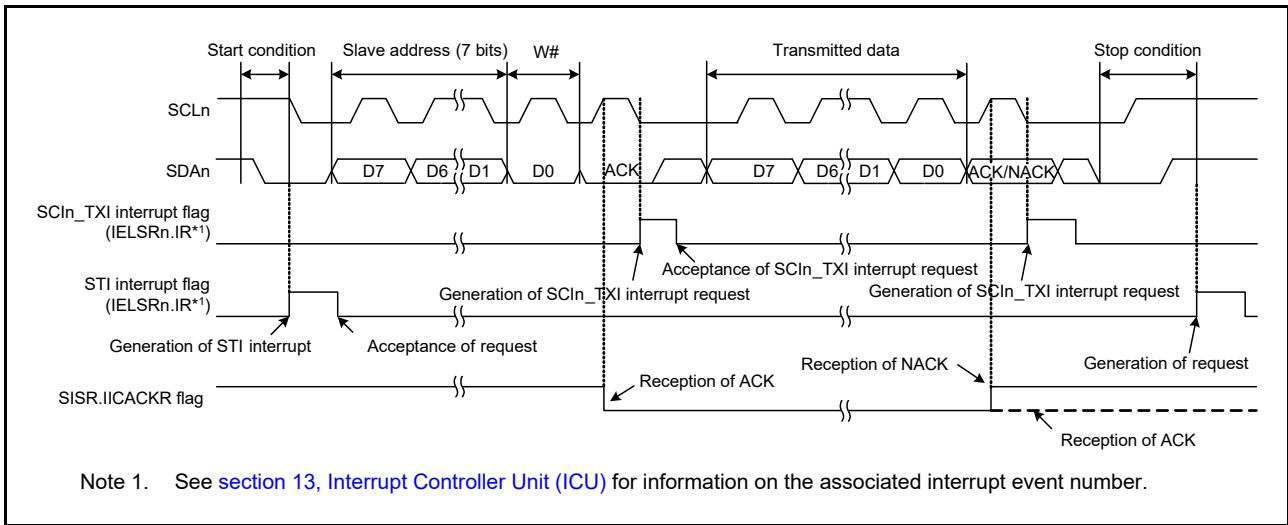


Figure 28.64 Example 1 operation for master transmission in simple IIC mode with 7-bit slave addresses, transmission interrupts, and reception interrupts

When SIMR2.IICINTM is set to 0, using ACK/NACK interrupts during master transmission, the DMAC or DTC is activated by the ACK interrupt as the trigger and the required number of data bytes are transmitted. When a NACK is received, error processing, such as transmission stop and retransmission, is performed using the NACK interrupt as the trigger.

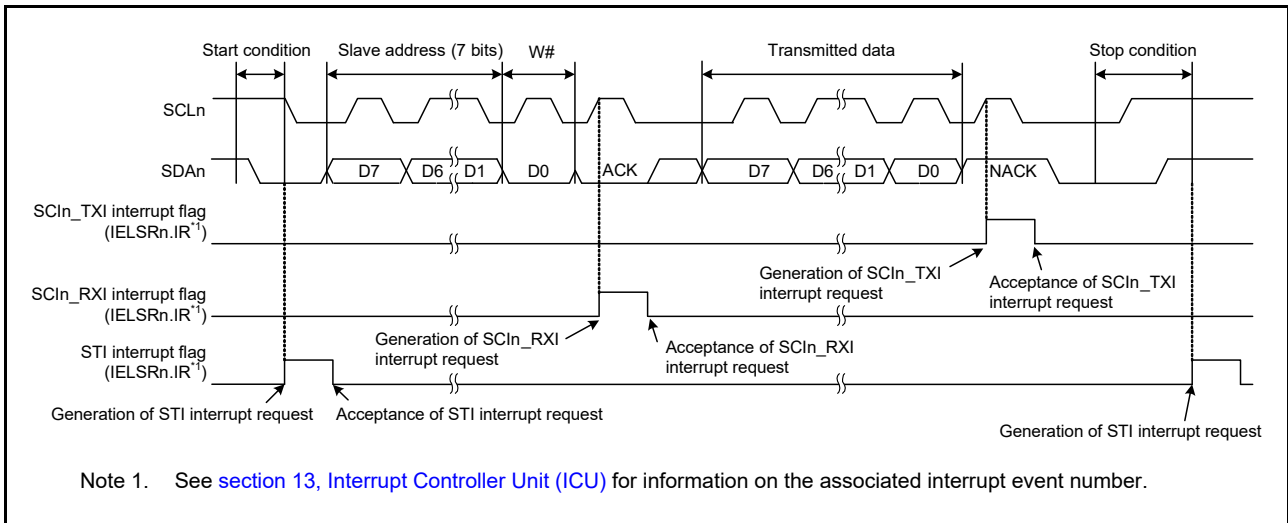


Figure 28.65 Example 2 operation for master transmission in simple IIC mode with 7-bit slave addresses, ACK interrupts, and NACK interrupts

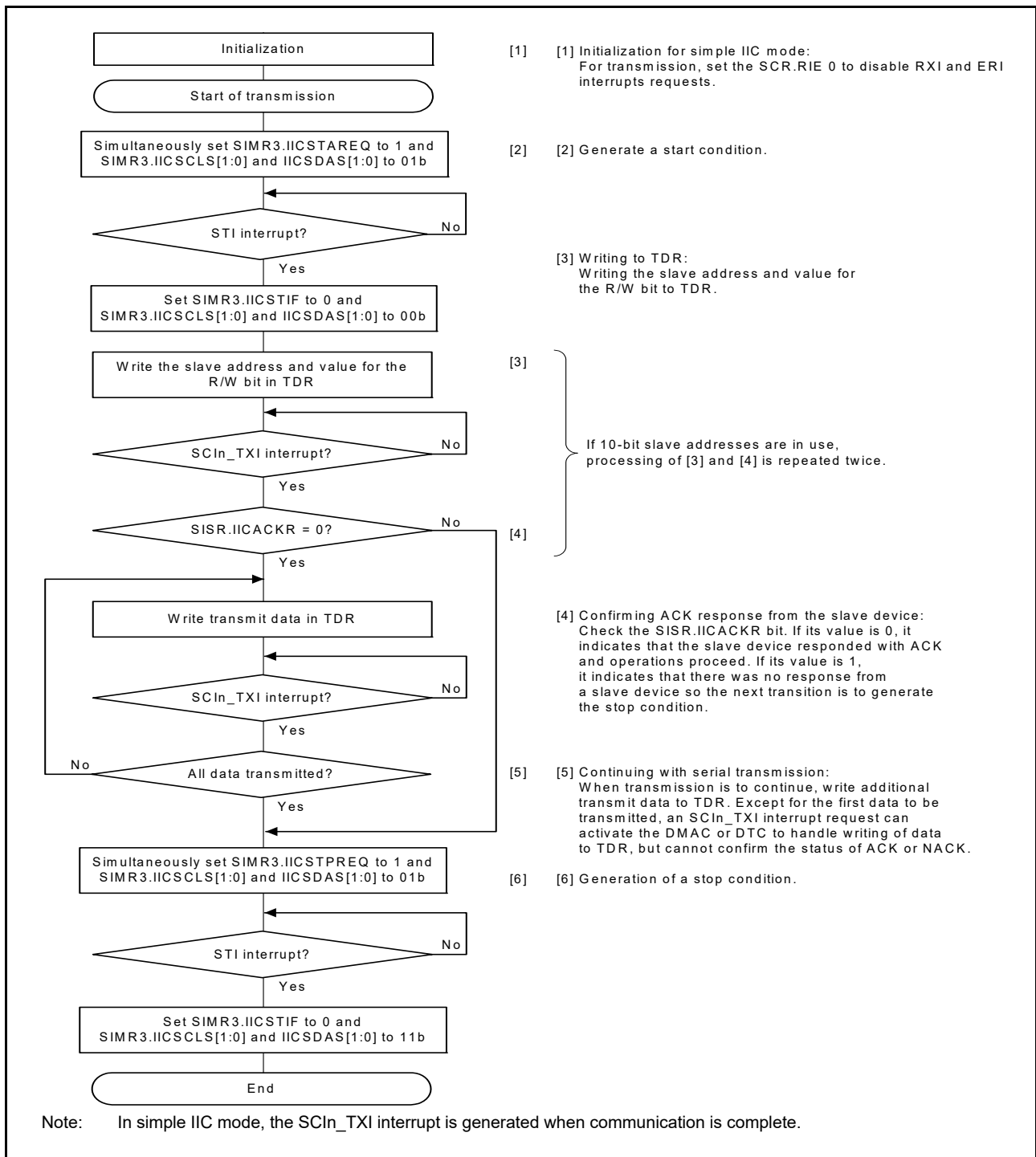


Figure 28.66 Example flow of master transmission in simple IIC mode with transmission interrupts and reception interrupts

28.7.6 Master Reception in Simple IIC Mode

Figure 28.67 shows an example operation of master reception in simple IIC mode, and Figure 28.68 shows an example flow of master reception.

The value of the SIMR2.IICINTM bit is assumed to be 1 using reception and transmission interrupts.

In simple IIC mode, the transmit data empty interrupt (SCIn_TXI) is generated when communication of one frame completes, unlike the timing of the SCIn_TXI interrupt request generation during clock synchronous transmission.

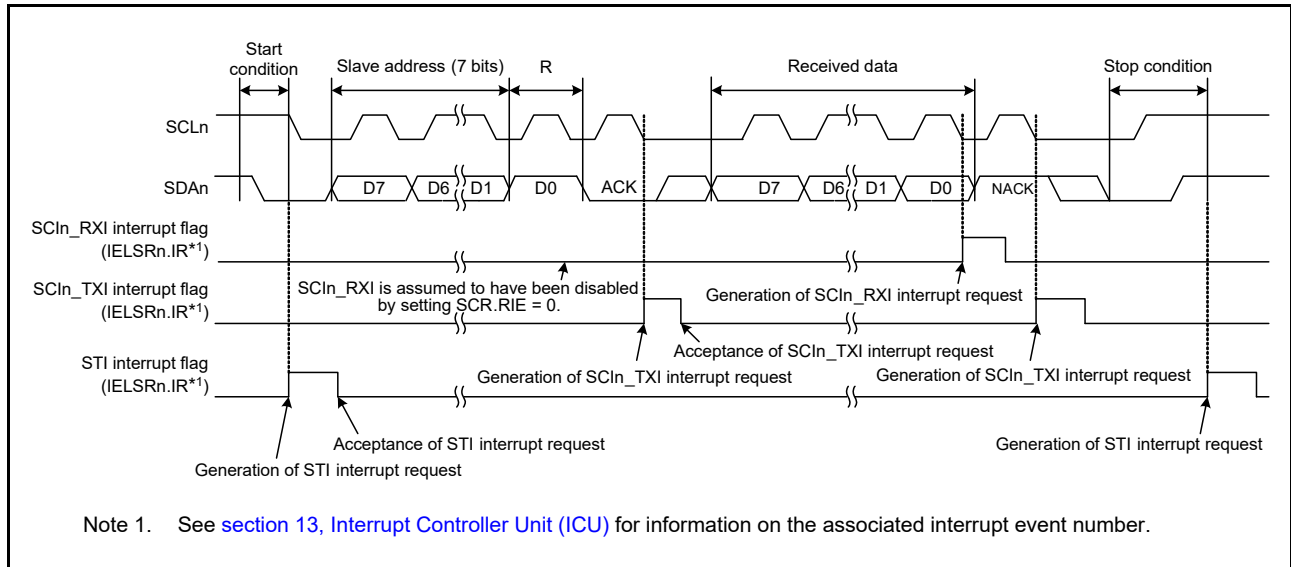


Figure 28.67 Example operation of master reception in simple IIC mode with 7-bit slave addresses, transmission interrupts, and reception interrupts

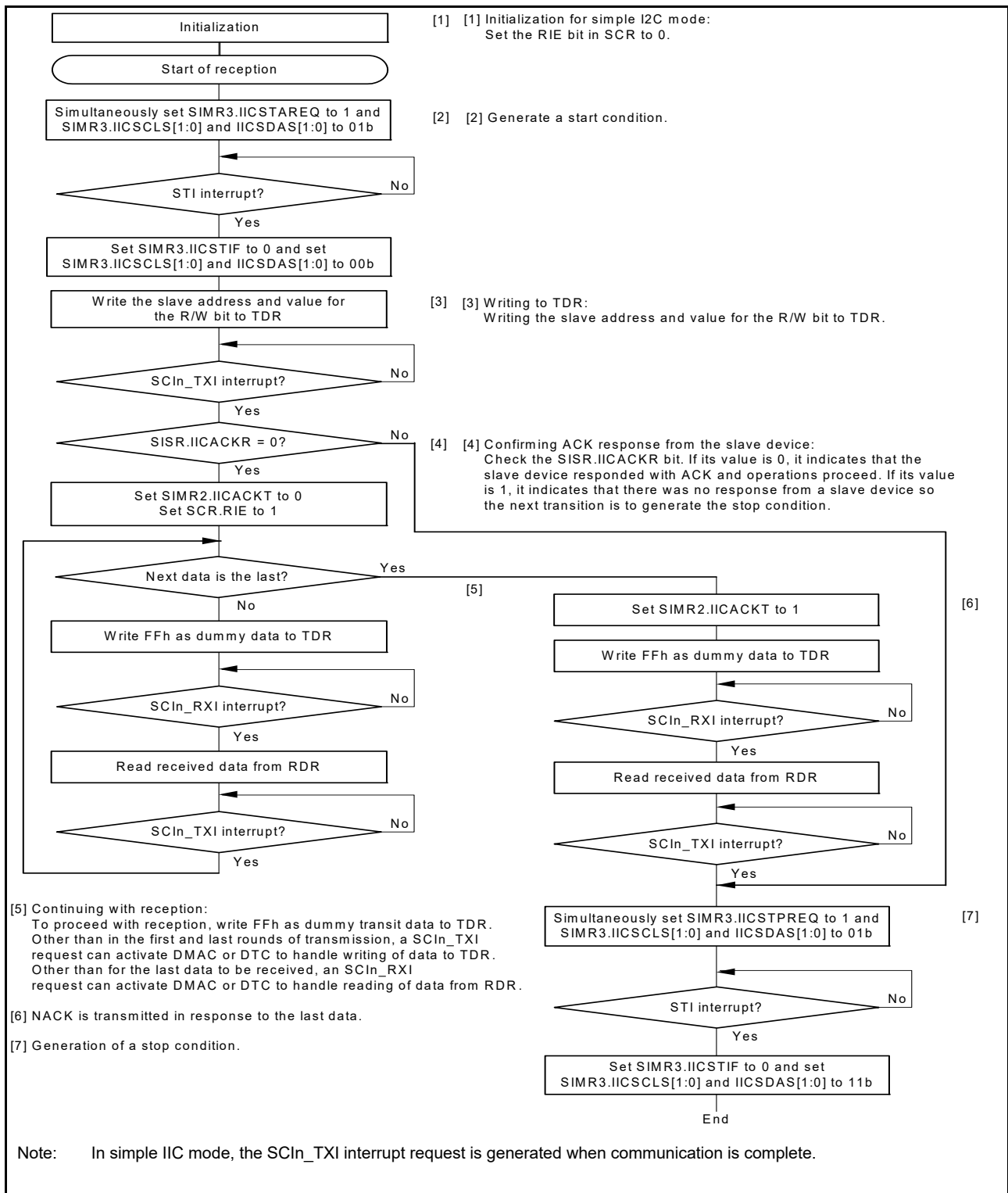


Figure 28.68 Example flow of master reception operation in simple IIC mode with transmission interrupts and reception interrupts

28.8 Operation in Simple SPI Mode

As an extended function, the SCI supports a simple SPI mode that handles transfer in one or multiple master devices and multiple slave devices.

To place the SCI in simple SPI mode, use the settings for clock synchronous mode (SCMR.SMIF = 0, SIMR1.IICM = 0, SMR.CM = 1) and set SPMR.SSE to 1. When the configuration only has a single master, the SSn pin function is not required to connect the device used as the master in simple SPI mode. Therefore, set SPMR.SSE to 0.

Figure 28.69 shows an example of connections in simple SPI mode. Use a general port pin to produce the SSn output signal from the master.

In simple SPI mode, data is transferred in synchronization with clock pulses in the same way as in clock synchronous mode. One character of data for transfer consists of 8 bits of data, and parity bits cannot be appended. The data can be inverted by setting SCMR.SINV to 1.

Because the receiver and transmitter are independent of each other within the SCI module, full-duplex communications are possible, with a common clock signal. Also, because both the transmitter and receiver have a buffered structure, it is possible to both write the next transmit data while transmission is in progress and read previously received data while reception is in progress. This enables continuous transfer.

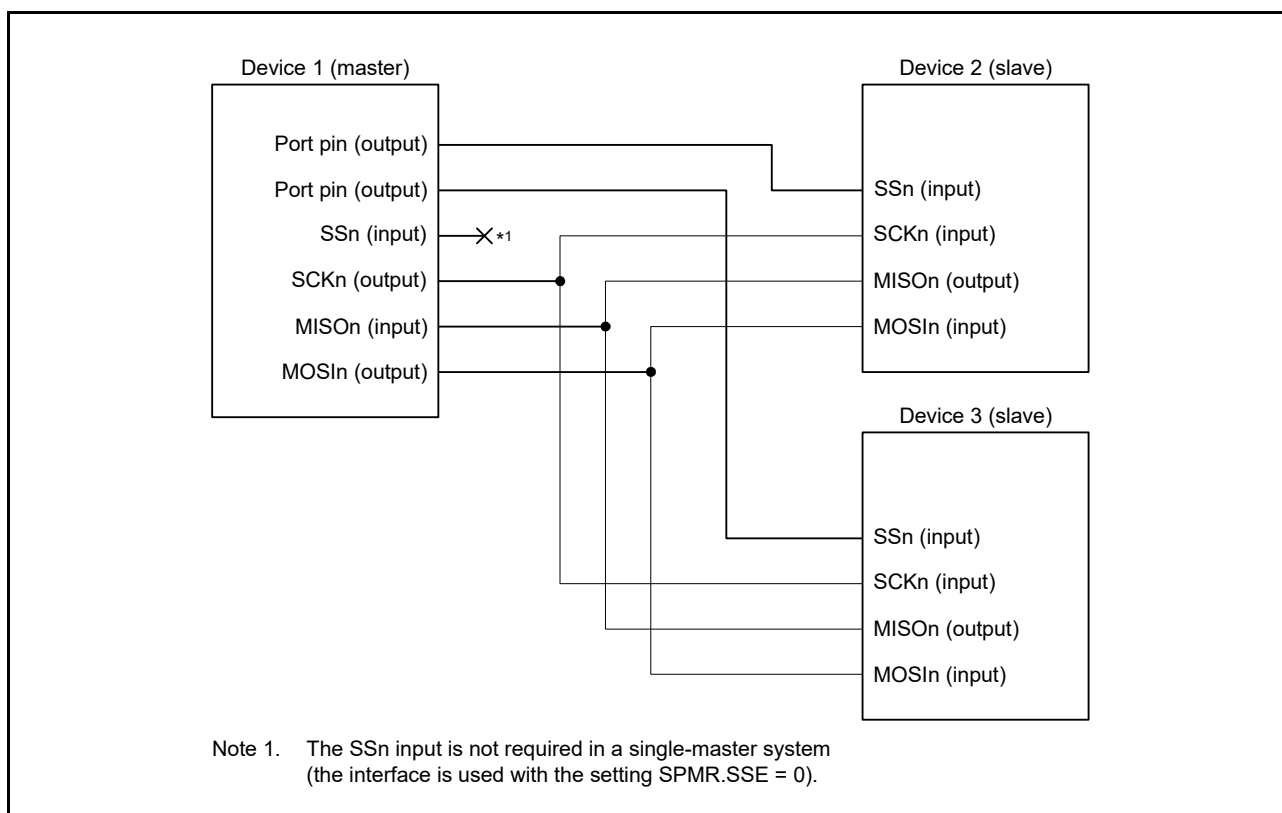


Figure 28.69 Example connections using a simple SPI mode in single master mode with SPMR.SSE bit = 0

28.8.1 States of Pins in Master and Slave Modes

The direction (input or output) of pins for the simple SPI mode interface differs according to whether the device is a master (SCR.CKE[1:0] = 00b or 01b and SPMR.MSS = 0) or slave (SCR.CKE[1:0] = 10b or 11b and SPMR.MSS = 1).

Table 28.24 lists the relationship between the pin states, mode, and the input level on the SSn pin.

Table 28.24 Pin states by mode and input level on SSn pin

| Mode | Input on SSn pin | State of TXDn pin | State of RXDn pin | State of SCKn pin |
|---------------|-----------------------------------|-------------------------------------------|-------------------------------------------|-------------------------------|
| Master mode*1 | High (transfer can proceed) | Output for data transmission*2 | Input for received data | Clock output*3 |
| | Low (transfer cannot proceed) | High-impedance | Input for received data (but disabled) | High-impedance |
| Slave mode | High (transfer cannot proceed) | Input for received data (but disabled) | High-impedance | Clock input (but disabled) |
| | Low (transfer can proceed) | Input for received data | Output for data transmission | Clock input |

Note 1. When there is only a single master (SPMR.SSE = 0), transfer is possible regardless of the input level on the SSn pin. This is equivalent to input of a high level on the SSn pin. Because the SSn pin function is not required, the pin is available for other purposes.

Note 2. The MOSIn pin output is in the high-impedance state when serial transmission is disabled (SCR.TE bit = 0).

Note 3. The SCKn pin output is in the high-impedance state when serial transmission is disabled (SCR.TE and RE bits = 00b) in a multi-master configuration (SPMR.SSE = 1).

28.8.2 SS Function in Master Mode

Setting the SCR.CKE[1:0] bits to 00b and the SPMR.MSS bit to 0 selects master operation. The SSn pin is not used in single-master configurations (SPMR.SSE = 0), so transmission or reception can proceed regardless of the value of the SSn pin.

When the level on the SSn pin is high in a multi-master configuration (SPMR.SSE = 1), a master device outputs clock signals from the SCKn pin before starting transmission or reception to indicate that there are no other masters or another master is performing reception or transmission.

When the level on the SSn pin is low in a multi-master configuration (SPMR.SSE = 1), there are other masters, and a transmission or reception is in progress. The MOSIn output and SCKn pins are placed in the high-impedance state and starting transmission or reception is not possible. In addition, the value of the SPMR.MFF bit is 1, indicating a mode fault error. In a multi-master configuration, start error processing by reading the SPMR.MFF flag. If a mode fault error occurs while transmission or reception is in progress, transmission or reception does not stop, but the MOSIn and SCKn outputs are in the high-impedance state after the completion of the transfer. Use a general port pin to produce the SS output signal from the master.

28.8.3 SS Function in Slave Mode

Setting the SCR.CKE[1:0] bits to 10b and the SPMR.MSS bit to 1 selects slave operation. When the level on the SSn pin is high, the MISO output pin is in the high-impedance state and clock input through the SCKn pin is ignored. When the level on the SSn pin is low, clock input through the SCKn pin is effective and transmission or reception can proceed.

If the input on the SSn pin changes from low to high level during transmission or reception, the MISO output pin is placed in the high-impedance state. Meanwhile, the internal processing for transmission or reception continues at the rate of the clock input through the SCKn pin until processing for the character currently being transmitted or received completes, after which it stops and the appropriate interrupt (SCIn_TXI, SCIn_RXI, or SCIn_TEI) is generated.

28.8.4 Relationship between Clock and Transmit/Receive Data

The CKPOL and CKPH bits in SPMR can be used to set up the clock for use in transmission and reception in four different ways. The relation between the clock signal and the transmission and reception of data is shown in Figure 28.70. The relation is the same for both master and slave operation. This is the same as when the level on the SSn pin is high.

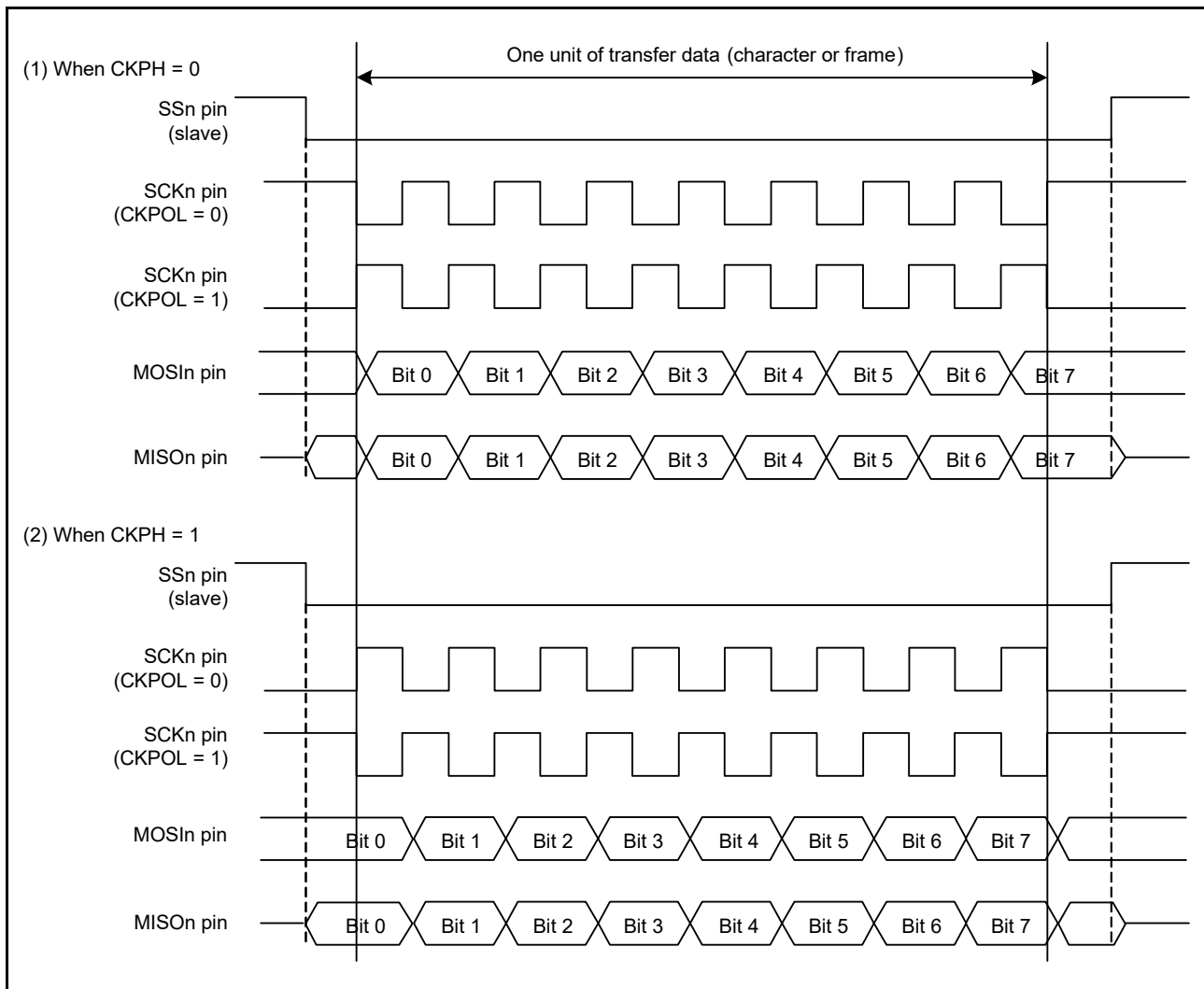


Figure 28.70 Relation between clock signal and transmit or receive data in simple SPI mode

28.8.5 SCI Initialization in Simple SPI Mode

SCI initialization in simple SPI mode is the same as in clock synchronous mode. See [Figure 28.32](#) for an example of initialization flow. The CKPOL and CKPH bits in SPMR must be set to ensure that the selected clock signal configuration is suitable for both master and slave devices.

Always initialize the SCR register before making any changes to the operating mode or transfer format.

Note: Only the SCR.RE bit is set to 0. The SSR.ORER, FER, PER, and RDR flags are not initialized.

Changing the value of SCR.TE from 1 to 0 or from 0 to 1 when SCR.TIE is 1 leads to the generation of a transmit data empty interrupt (SCIn_TXI).

28.8.6 Transmission and Reception of Serial Data in Simple SPI Mode

In master operation, ensure that the SSn pin of the slave device on the other side of the transfer is at a low level before starting the transfer and at a high level on completion of the transfer. Otherwise, the procedures are the same as in clock synchronous mode.

28.9 Bit Rate Modulation Function

Using the bit rate modulation function, the bit rate can be evenly corrected using the number specified in MDDR when PCLKA is selected with the CKS[1:0] bits in SMR/SMR_SMCI.

Figure 28.71 shows an example where PCLKA is selected in the CKS[1:0] bits in SMR/SMR_SMCI and BRR and MDDR are set to 0 and 160 respectively, in asynchronous mode. In this example, the cycle of the base clock is evenly corrected ($256/160$) and the bit rate is also corrected ($160/256$).

Note: Enabling an internal clock causes bias and expansion. Contraction is generated in the pulse width of the internal base clock.

Do not use this function in clock synchronous mode and in the highest speed settings in simple SPI mode (SMR.CKS[1:0] = 00b, SCR.CKE[1] = 0, and BRR = 0).

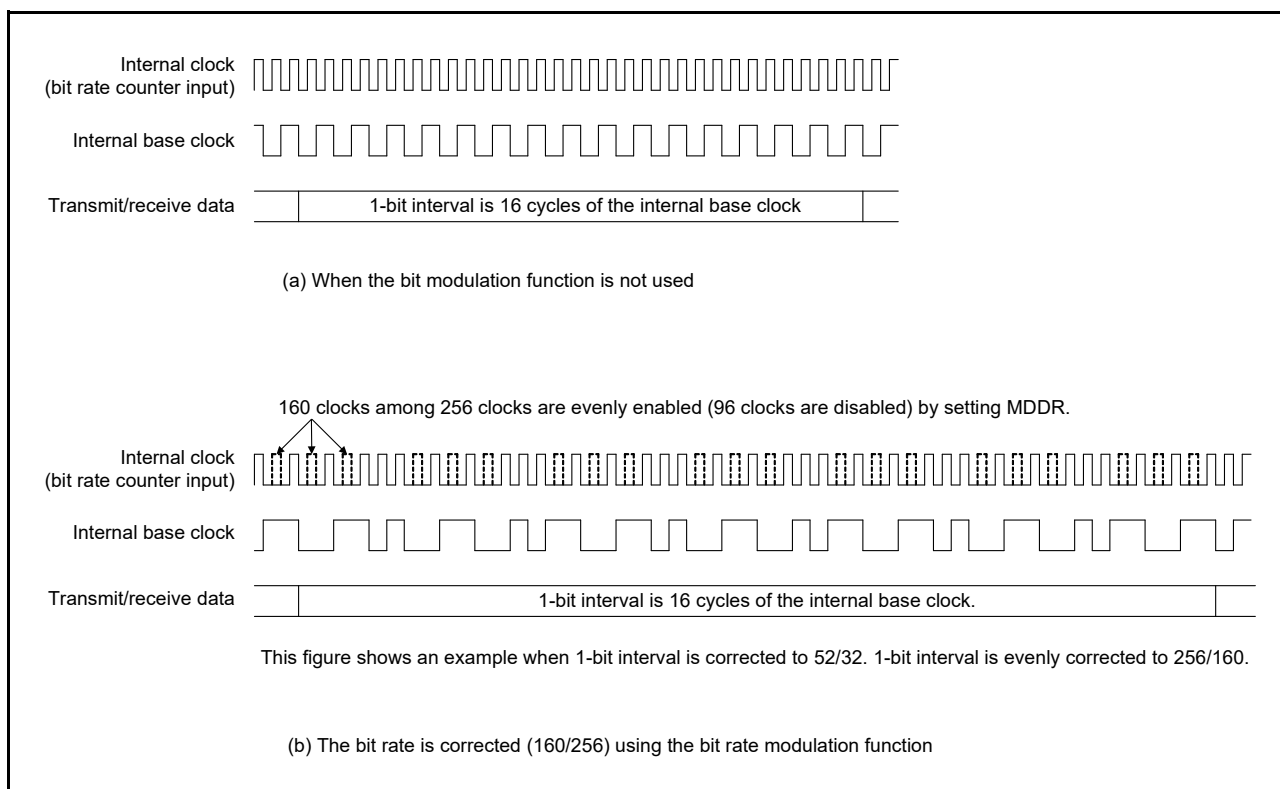


Figure 28.71 Example internal base clock using bit rate modulation function

28.10 Interrupt Sources

28.10.1 Buffer Operations for SCIn_TXI and SCIn_RXI Interrupts (non-FIFO selected)

If the conditions for an SCIn_TXI and SCIn_RXI interrupt are satisfied while the interrupt status flag in the ICU is 1, the ICU does not output the interrupt request but saves it internally with a capacity for retention of one request per source.

When the value of the interrupt status flag in the ICU becomes 0, the interrupt request retained within the ICU is output. The internally retained interrupt request is automatically discarded when the actual interrupt is output. Clearing of the associated interrupt enable bit (the TIE or RIE bit in the SCR/SCR_SMCI) can also be used to discard an internally retained interrupt request.

28.10.2 Buffer Operations for SCIn_TXI and SCIn_RXI Interrupts (FIFO selected)

When an interrupt status flag in the ICU is set to 1, the SCIn_TXI and SCIn_RXI interrupts do not output interrupt requests to the ICU. When an interrupt status flag of the ICU is set to 0, and if the conditions for an SCIn_TXI and SCIn_RXI interrupts are satisfied, an interrupt request is generated.

28.10.3 Interrupts in Asynchronous, Clock Synchronous, and Simple SPI Modes

(1) Non-FIFO selected

[Table 28.25](#) lists interrupt sources in asynchronous mode, clock synchronous mode, and simple SPI mode. A different interrupt vector can be assigned to each interrupt source, and individual interrupt sources can be enabled or disabled with the enable bits in SCR.

If the SCR.TIE bit is 1, an SCIn_TXI interrupt request is generated when transmit data is transferred from TDR or TDRHL*1 to TSR. An SCIn_TXI interrupt request can also be generated by using a single instruction to set the SCR.TE and SCR.TIE bits to 1 simultaneously. An SCIn_TXI interrupt request can activate the DMAC or DTC to handle data transfer.

An SCIn_TXI interrupt request is not generated by setting SCR.TE to 1 when SCR.TIE is 0 or by setting SCR.TIE to 1 when SCR.TE is 1.*2

When new data is not written by the time of transmission of the last bit of the current transmit data and SCR.TEIE is 1, the SSR.TEND flag becomes 1 and an SCIn_TEI interrupt request is generated. Also, when SCR.TE is 1, the SSR.TEND flag saves the value 1 until more transmit data are written to TDR or TDRHL*1, and setting SCR.TEIE to 1 leads to the generation of an SCIn_TEI interrupt request.

Writing data to TDR or TDRHL*1 leads to clearing of the SSR.TEND flag and, after a certain time, discarding of the SCIn_TEI interrupt request.

If SCR.RIE is 1, an SCIn_RXI interrupt request is generated when received data is stored in RDR. An SCIn_RXI interrupt request can activate the DMAC or DTC to handle data transfer.

Setting any of the ORER, FER, and PER flags in SSR to 1 when SCR.RIE is 1 leads to the generation of an SCIn_ERI interrupt request. An SCIn_RXI interrupt request is not generated in this case. Clearing all three flags (ORER, FER, and PER) leads to discarding of the SCIn_ERI interrupt request.

(2) FIFO selected

[Table 28.26](#) lists interrupt sources in FIFO selected mode.

If SCR.TIE is 1, an SCIn_TXI interrupt request is generated when the stored number of data in FTDRL becomes the threshold value indicated in FCR.TTRG or less. An SCIn_TXI interrupt request can also be generated by using a single instruction to set the SCR.TE and SCR.TIE bits to 1 simultaneously.

An SCIn_TXI interrupt request is not generated by setting SCR.TE to 1 when SCR.TIE is 0 or by setting SCR.TIE to 1 when SCR.TE is 1.

If SCR.TEIE is 1 and if the next data is not written to FTDRL by the time the last bit of the transmission data is sent, the SSR_FIFO.TEND flag is set to 1 and the SCIn_TEI interrupt request is generated.

If SCR.RIE is 1, an SCIn_RXI interrupt request is generated when the stored number of data in FRDRL becomes equal to or greater than the threshold value indicated in FCR.RTRG. When RTRG is 0, an SCIn_RXI interrupt does not occur even when the amount of data in the receive FIFO is equal to 0.

If SCR.RIE is 1, when the SSR_FIFO.ORER flag is set to 1 or data with a framing error or a parity error is stored in FRDRL, an SCIn_ERI interrupt request is generated. When the amount of data stored in a FRDRL register is at the threshold value or above, an SCIn_RXI interrupt request is also generated. The SCIn_ERI interrupt request can be canceled, in which case SSR_FIFO.ORER, FER, and PER flags are all cleared.

Note 1. When asynchronous mode and 9-bit data length are selected.

Note 2. To temporarily prohibit SCIn_TXI interrupts on transmission of the last of the data when a new round of transmission is to be started, after handling the transmission-completed interrupt, control activation of the interrupt using the Interrupt Request Enable bit in the ICU rather than using the SCR.TIE bit. This approach can prevent the suppression of SCIn_TXI interrupt requests in the transfer of new data.

Table 28.25 SCI interrupt sources with non-FIFO selected

| Name | Interrupt source | Interrupt flag | Interrupt enable | DTC activation | DMAC activation |
|----------|---------------------|----------------------------|------------------|----------------|-----------------|
| SCIn_ERI | Receive error*1 | ORER, FER, PER, DFER, DPER | RIE | Not possible | Not possible |
| SCIn_RXI | Receive data full | RDRF | RIE | Possible | Possible |
| | Address match | DCMF | RIE | Possible | Possible |
| SCIn_AM | Address match | DCMF | - | Possible | Possible |
| SCIn_TXI | Transmit data empty | TDRE | TIE | Possible | Possible |
| SCIn_TEI | Transmit end | TEND | TEIE | Not possible | Not possible |

Note 1. Only ORER is the interrupt flag when in clock synchronous and simple SPI mode.

Table 28.26 SCI interrupt sources with FIFO selected

| Name | Interrupt source | Interrupt flag | Interrupt enable | DTC activation | DMAC activation |
|----------|---------------------|----------------------------|------------------|----------------|-----------------|
| SCIn_ERI | Receive error*1 | ORER, FER, PER, DFER, DPER | RIE | Not possible | Not possible |
| | | DR (when FCR.DRES = 1) | RIE | Not possible | Not possible |
| SCIn_RXI | Receive data full | RDF | RIE | Possible | Possible |
| | Receive data ready | DR (when FCR.DRES = 0) | RIE | Possible | Possible |
| | Address match | DCMF | RIE | Possible | Possible |
| SCIn_AM | Address match | DCMF | - | Possible | Possible |
| SCIn_TXI | Transmit data empty | TDFE | TIE | Possible | Possible |
| SCIn_TEI | Transmit end | TEND | TEIE | Not possible | Not possible |

Note 1. Only ORER is the interrupt flag when in clock synchronous and simple SPI mode.

28.10.4 Interrupts in Smart Card Interface Mode

Table 28.27 lists interrupt sources in smart card interface mode. A transmit end interrupt (SCIn_TEI) request and an address match (SCIn_AM) request cannot be used in this mode.

Table 28.27 SCI interrupt sources in smart card interface mode

| Name | Interrupt source | Interrupt flag | Interrupt enable | DTC activation | DMAC activation |
|----------|-----------------------------------------|----------------|------------------|----------------|-----------------|
| SCIn_ERI | Receive error or error signal detection | ORER, FER, ERS | RIE | Not possible | Not possible |
| SCIn_RXI | Receive data full | RDRF | RIE | Possible | Possible |
| SCIn_TXI | Transmit end | TEND | TIE | Possible | Possible |

Data transmission or reception using the DMAC or DTC is also possible in smart card interface mode. In transmission, when the TEND flag in SSR_SMCI is set to 1, an SCIn_TXI interrupt request is generated. The SCIn_TXI interrupt request activates the DMAC or DTC allowing transfer of transmit data if the SCIn_TXI request is specified beforehand as a source of DMAC or DTC activation. The TEND flag is automatically set to 0 when the DMAC or DTC transfers the data.

If an error occurs, the SCI automatically retransmits the same data. During the retransmission, the TEND flag is kept at 0 and the DMAC or DTC is not activated. Therefore, the SCI and DMAC or DTC automatically transmit the specified number of bytes, including retransmission when errors occur. However, the ERS flag in SSR_SMCI is not automatically cleared to 0 at error occurrence. Therefore, the ERS flag must be cleared by setting the RIE bit in SCR_SMCI to 1 to enable an SCIn_ERI interrupt request to be generated at error occurrence.

When transmitting or receiving data using the DMAC or DTC, be sure to enable the DMAC or DTC before setting the SCI. For DMAC or DTC settings, see [section 16, DMA Controller \(DMAC\)](#) and [section 17, Data Transfer Controller \(DTC\)](#).

In reception, an SCIn_RXI interrupt request is generated when receive data is set to RDR. This SCIn_RXI interrupt request activates the DMAC or DTC allowing transfer of receive data if the SCIn_RXI request is specified beforehand as a source of DMAC or DTC activation. If an error occurs, the error flag is set. Therefore, the DMAC or DTC is not activated and an SCIn_ERI interrupt request is issued to the CPU instead. The error flag must be cleared.

28.10.5 Interrupts in Simple IIC Mode

Table 28.28 lists the interrupt sources in simple IIC mode. The STI interrupt is allocated to the transmit end interrupt (SCIn_TEI) request. The receive error interrupt (SCIn_ERI) and the address match (SCIn_AM) request cannot be used.

The DMAC or DTC can also be used to handle transfer in simple IIC mode.

When the IICINTM bit in SIMR2 register is 1:

- An SCIn_RXI request is generated on the falling edge of the SCLn signal for the 8th bit. If SCIn_RXI is previously set up as an activation source for the DMAC or DTC, the SCIn_RXI request activates the DMAC or DTC to handle transfer of the received data.
- An SCIn_TXI request is generated on the falling edge of the SCLn signal for the 9th bit (acknowledge bit). If SCIn_TXI is previously set up as an activation source for the DMAC or DTC, the SCIn_TXI request activates the DMAC or DTC to handle transfer of the transmit data.

When the IICINTM bit in SIMR2 register is 0:

- An SCIn_RXI request (ACK detection) is generated if the input on the SDAn pin is at the low level on the rising edge of the SCLn signal for the 9th bit (acknowledge bit). If the SCIn_RXI was set up as an activation source for the DMAC or DTC beforehand, the SCIn_RXI request activates the DMAC or DTC to handle transfer of the received data.
- An SCIn_TXI request (NACK detection) is generated if the input on the SDAn pin is at the high level on the rising edge of the SCLn signal for the 9th bit (acknowledge bit).

If the DMAC or DTC is used for data transfer in reception or transmission, be sure to set up and enable the DMAC or DTC before setting up the SCI.

When the IICSTAREQ, IICRSTAREQ, and IICSTPREQ bits in SIMR3 are used to generate a start condition, restart condition, or stop condition, the STI request is issued when generation is complete.

Table 28.28 SCI interrupt sources in simple IIC mode

| Name | Interrupt source | Interrupt flag | Interrupt enable | DTC activation | DMAC activation |
|----------|-----------------------------------------------------------------|----------------|------------------|----------------|-----------------|
| SCIn_RXI | Reception, ACK detection | - | RIE | Possible | Possible |
| SCIn_TXI | Transmission, NACK detection | - | TIE | Possible | Possible |
| STIn | Completion of generation of a start, restart, or stop condition | IICSTIF | TEIE | Not possible | Not possible |

Note: Activation of the DTC is only possible when the SIMR2.IICINTM bit is 1 (use reception and transmission interrupts).

28.11 Event Linking

By employing interrupt request signals as event signals, the SCI can provide linked operation through the Event Link Controller (ELC) for modules selected in advance.

Event signals can be output regardless of the values of the associated interrupt request enable bits.

(1) Error event output (receive error or error signal detected)

- Indicates abnormal termination because of a parity error during reception in asynchronous mode
- Indicates abnormal termination because of a framing error during reception in asynchronous mode
- Indicates abnormal termination because of an overrun error during reception

- Indicates detection of the error signal during transmission in smart card interface mode
 - Indicates that when SSR_FIFO.FER and PER flags are 0, and receive data less than receive FIFO data trigger number is in the receive FIFO buffer, 15 ETUs elapse when FIFO is selected and FCR.DRES is 1.
- (2) Receive data full event output
- Indicates that ACK was detected if SIMR2.IICINTM is 0 in simple IIC mode
 - Indicates that the 8th-bit SCLn falling edge is detected if SIMR2.IICINTM is 1 in simple IIC mode.
 - When the SIMR2.IICINTM bit is 1 during master transmission in simple IIC mode, set the ELC so that receive data full events are not used.
- (a) Non-FIFO selected
- Indicates that received data is in the Receive Data Register (RDR or RDRHL).
- (b) FIFO selected
- Using this event output is prohibited.
- (3) Transmit data empty event output
- Indicates that the SCR/SCR_SMCI.TE bit changed from 0 to 1
 - Indicates that transmission is complete in smart card interface mode
 - Indicates that NACK is detected if SIMR2.IICINTM is 0 in simple IIC mode
 - Indicates that the 9th-bit SCLn falling edge is detected if SIMR2.IICINTM is 1 in simple IIC mode.
- (a) Non-FIFO selected
- Indicates that transmit data is transferred from the Transmit Data Register (TDR or TDRHL) to the Transmit Shift Register (TSR).
- (b) FIFO selected
- Using this event output is prohibited.
- (4) Transmit end event output
- Indicates the completion of transmission.
 - Indicates that the starting condition, restart condition, or stop condition is generated in simple IIC mode.

Note: When FIFO is selected, using this event output is prohibited.

(5) Address match event output

- Indicates a match of the comparison data (CDR.CMPD) with one frame of receive data when DCCR.DCME is 1 in asynchronous mode, including multi-processor mode.

28.12 Address mismatch event output (SCI0_DCUF)

SCI0_DCUF indicates a mismatch of the comparison data (CDR.CMPD) with one frame of receive data when DCCR.DCME is set to 1 in asynchronous mode, including multi-processor mode. This event can be used for snooze end request only.

28.13 Noise Cancellation Function

Figure 28.72 shows the configuration of the noise filter used for noise cancellation. The noise filter consists of a 2-stage flip-flop circuit and a match detection circuit. When the input signals of the noise filter and the output signals of the 2-stage flip-flop circuits completely match, the matched level is conveyed as an internal signal. Unless a match occurs, the previous value is retained. When the same level is retained for 3 cycles or longer on the sampling clock of the noise filter, it is considered as a valid receive signal. A change in pulse for 3 cycles or shorter is considered as noise, not as a receive signal.

When SEMR.ABCS = 0 and SEMR.ABCSE = 0, the cycle is 1/16 the period of 1 transfer bit.

When SEMR.ABCS = 1 and SEMR.ABCSE = 0, the cycle is 1/8 the period of 1 transfer bit.

When SEMR.ABCSE = 1, the cycle is 1/6 the period of 1 transfer bit.

In asynchronous mode, the noise cancellation function can be applied to the receive signal input on the RXDn pin. The receive level of RXDn is sampled in the flip-flop circuit of the noise filter on the base clock of asynchronous mode.

In simple IIC mode, this function can be used for each input on SDA_n and SCL_n. The sampling clock for the noise cancellation function is selected in the SNFR.NFCS bit by dividing the baud rate generator source clock by 1, 2, 4, or 8.

If the base clock is stopped with the noise filter enabled and then the base clock input is restarted again, the noise filter operation resumes from the state where the clock was stopped. When SCR.TE and SCR.RE are set to 0 during base clock input, all of the noise filter flip-flop values are initialized to 1. Accordingly, if the input data is 1 when reception operation resumes, the function determines that a level match is detected and the result is considered as an internal signal. When the input level corresponds to 0, the initial output of the noise filter is retained until the level matches in 3 consecutive sampling cycles.

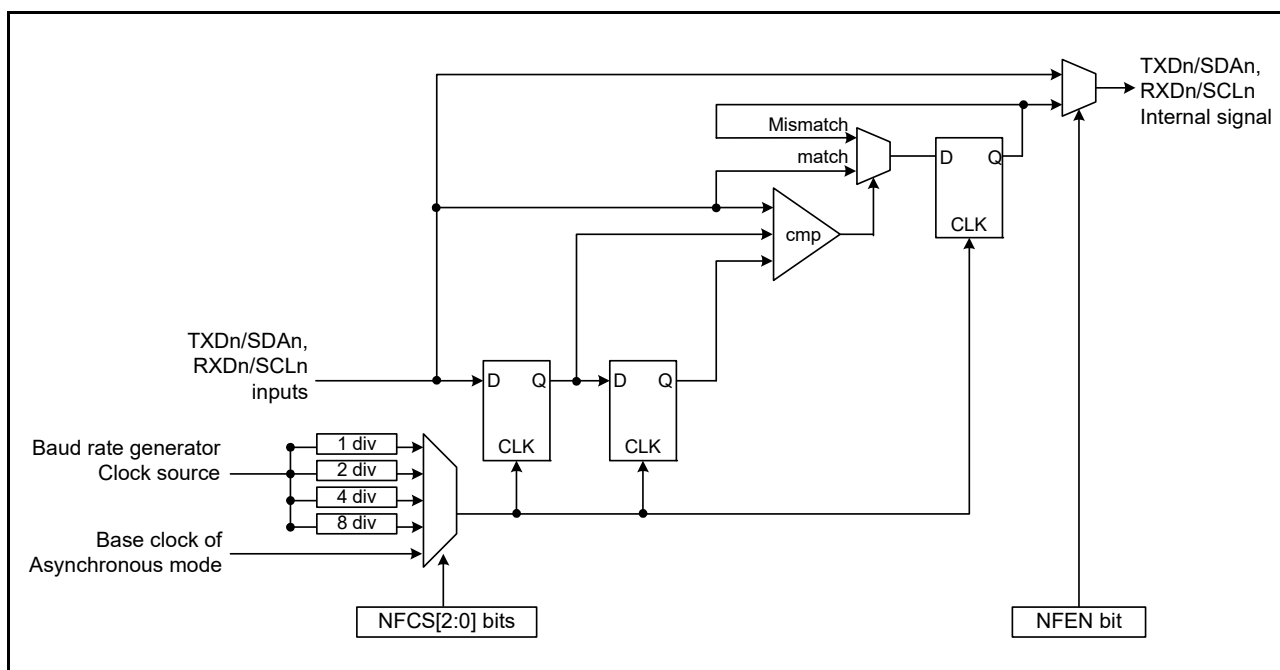


Figure 28.72 Digital noise filter circuit block diagram

28.14 Usage Notes

28.14.1 Settings for the Module-Stop State

The Module Stop Control Register B (MSTPCRB) can enable or disable SCI operation. The SCI operation is initially stopped after a reset. Releasing the module-stop state enables access to the registers. For details, see [section 10, Low Power Modes](#).

28.14.2 SCI Operations during Low Power State

(1) Transmission

When setting the module to the stopped state or in transition to Software Standby mode, stop operation (by setting the TIE, TE, and TEIE bits in the SCR/SCR_SMCI to 0) after switching the TXDn pin to the general I/O port pin function. When setting the I/O port as an SCI function, the SPTR register can control the state of the TXDn pin. Setting the TE bit to 0 initializes TSR. The TEND bit in the SSR/SSR_SMCI is initialized to 1 with non-FIFO selected. The value is kept with FIFO selected. Depending on the port settings and SPTR register settings, output pins might output the level before a transition to the low power consumption state is made after release from the module-stop state or Software Standby mode. When transitions to these states are made during transmission, the transmitted data becomes indeterminate.

To transmit data in the same transmission mode after cancellation of the low power consumption state:

1. Set the TE bit to 1.
2. Read SSR/SSR_FIFO/SSR_SMCI.
3. Write data to TDR sequentially to start data transmission.

To transmit data with a different transmission mode, initialize the SCI first.

Figure 28.73 shows an example flow of transition to Software Standby mode during transmission. Figure 28.74 and Figure 28.75 show the port pin states during transition to Software Standby mode.

Before specifying the module-stop state or transitioning to Software Standby mode from the transmission mode using DTC transfer, stop the transmit operations (TE = 0). To start transmission after cancellation using the DTC, set the TE bit to 1. The SCIn_TXI interrupt flag is set to 1 and transmission starts using the DTC.

(2) Reception

(a) When address match function is not used as wakeup condition

Before specifying the module-stop state or transitioning to Software Standby mode, stop the receive operations (RE = 0 in SCR/SCR_SMCI). If transition is made during data reception, the data being received is invalid.

Figure 28.76 shows an example flow of transition to Software Standby mode during reception.

(b) When address match function is used as wakeup condition

Before specifying the module-stop state or transitioning to Software Standby mode:

1. Set the operations after cancellation of the low power state.
2. Set CDR.CMPD and DCCR.DCME to 1.
3. Set the receive operations (RE = 1 in SCR/SCR_SMCI).
4. Set the module-stop state or Software Standby mode.

When the SCI transfers to the low power consumption mode, if the receive data pin (RXDn) is at the low level, set SEMR.RXDESEL to 0. If SEMR.RXDESEL is set to 1, there is a possibility that a start bit (falling edge of RXDn pin) cannot be detected at the time of low power consumption mode release.

Figure 28.77 shows an example flow of transition to Software Standby mode during reception with address match.

(c) When using SCI0 in Snooze mode

When using SCI0 in Snooze mode, some restrictions, including the maximum bit rates, exist. For details, see [section 10, Low Power Modes](#).

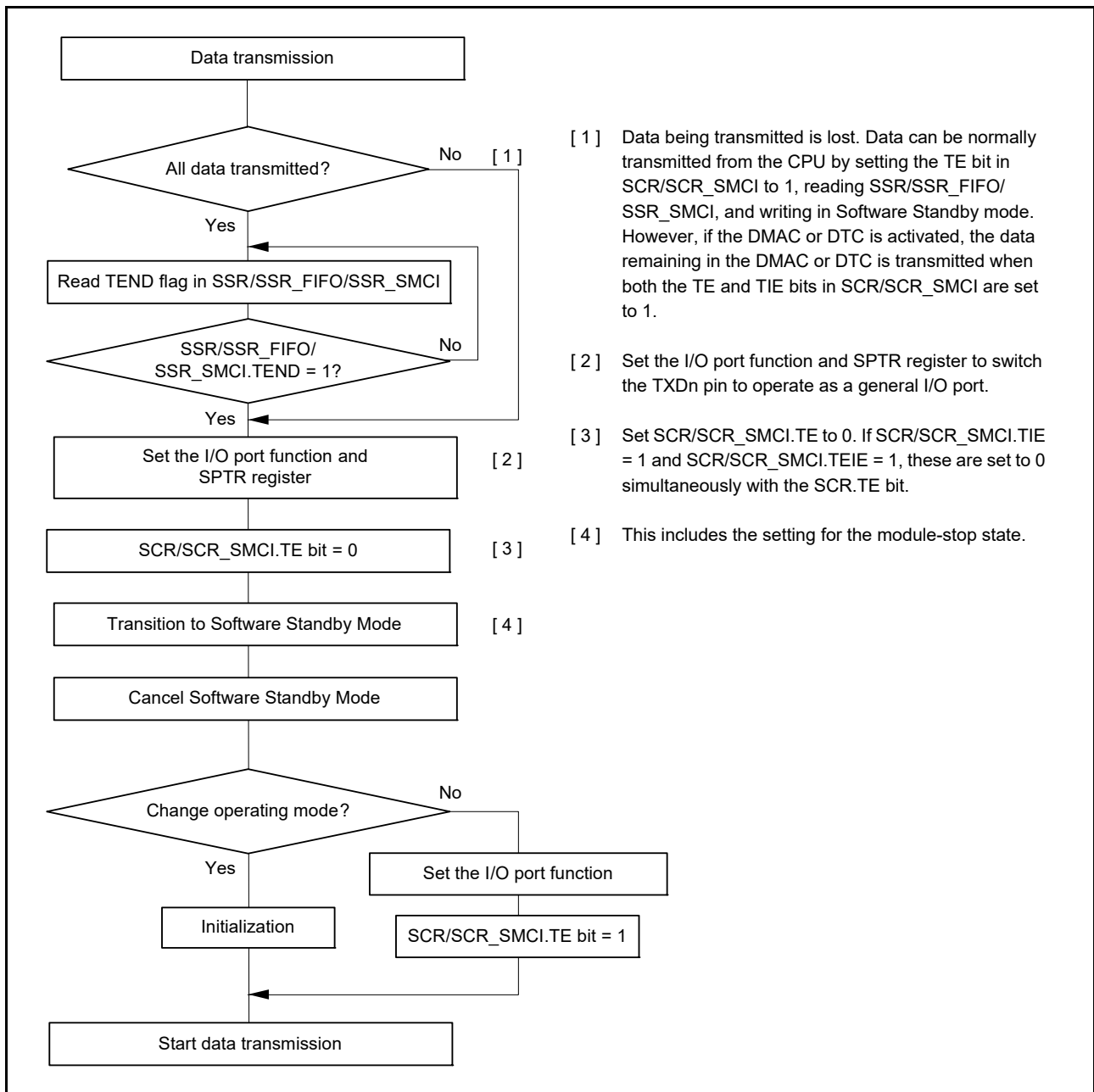


Figure 28.73 Example flow of transition to Software Standby mode during transmission

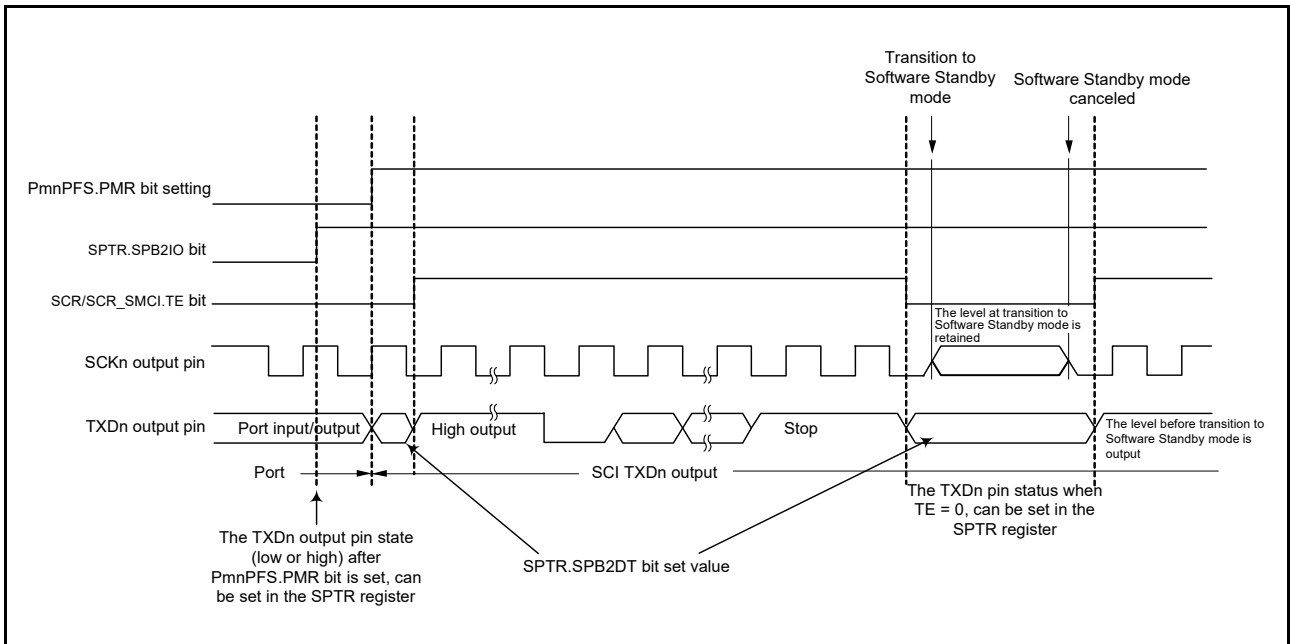


Figure 28.74 Port pin states during transition to Software Standby mode with internal clock and asynchronous transmission

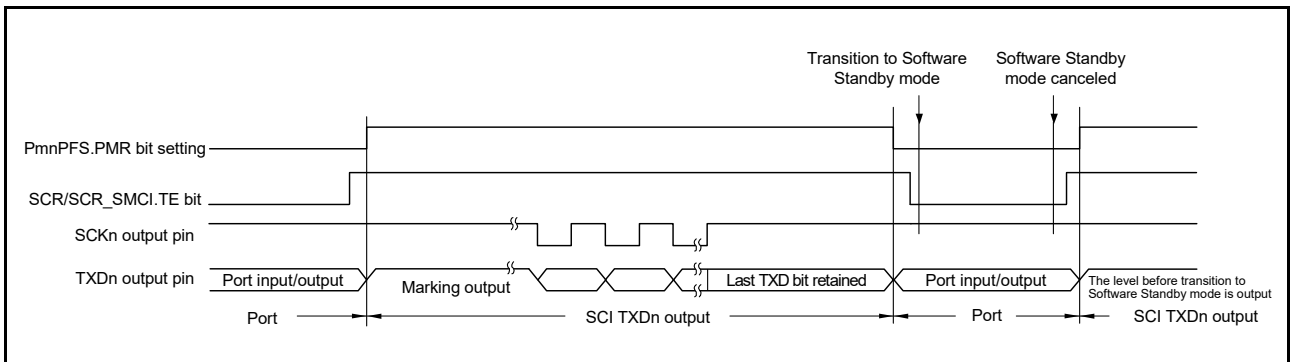


Figure 28.75 Port pin states during transition to Software Standby mode with internal clock and clock synchronous transmission

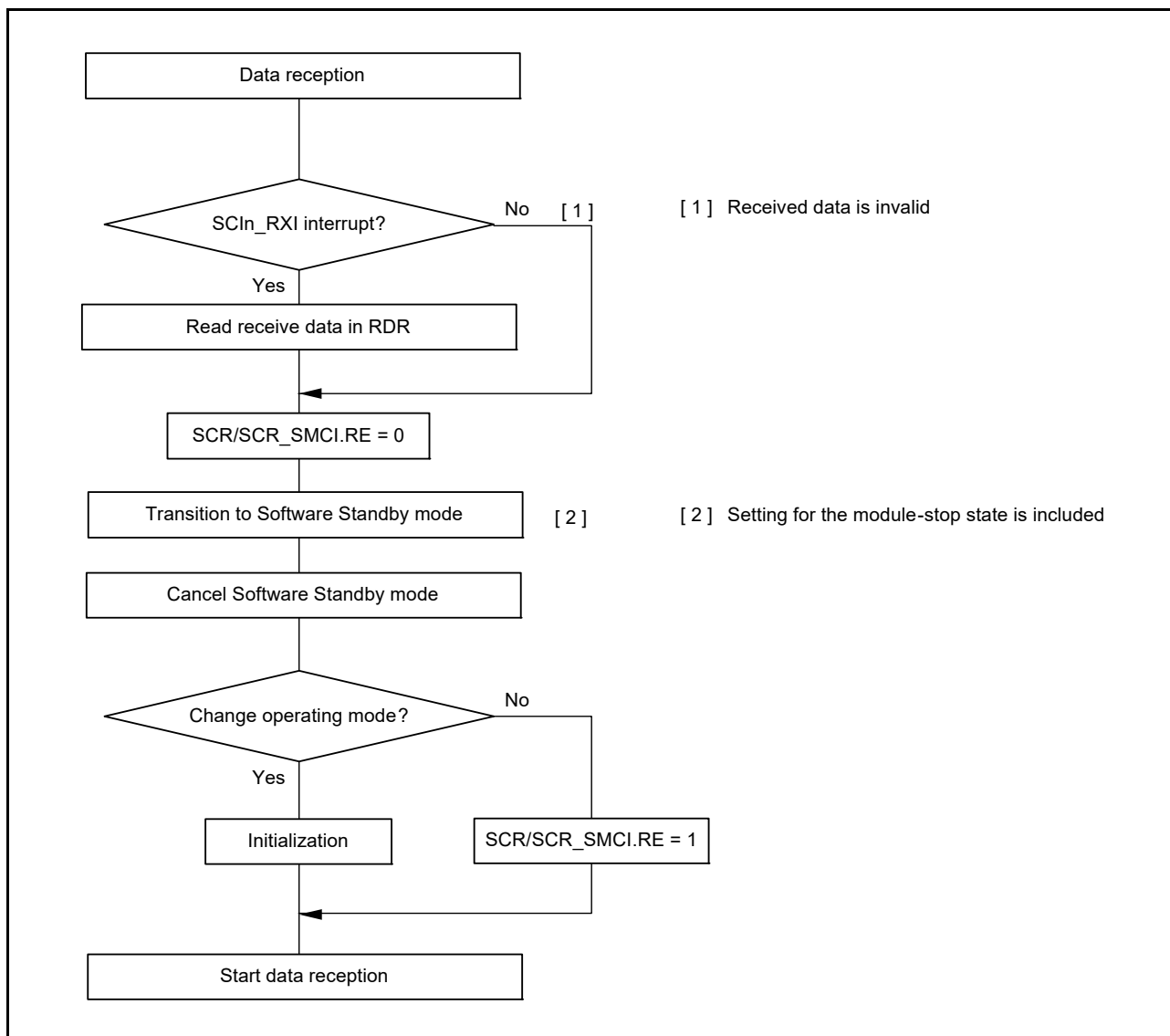


Figure 28.76 Example flow of transition to Software Standby mode during reception

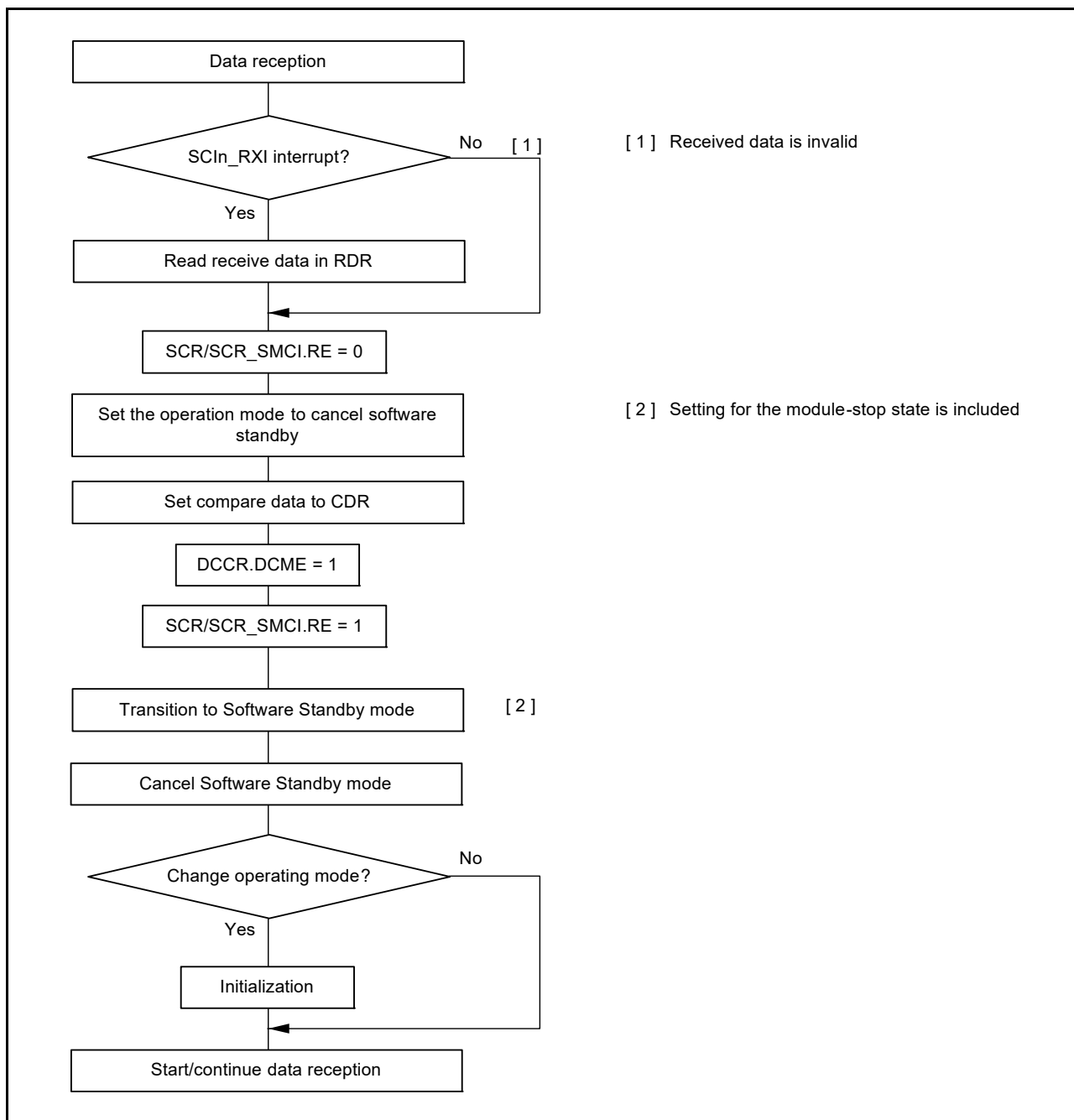


Figure 28.77 Example flow of transition to Software Standby mode during reception with address match

28.14.3 Break Detection and Processing

(1) Non-FIFO selected

When a framing error is detected, a break can be detected by reading the RXDn pin value directly. In a break, the input from the RXDn pin becomes all 0s, and the FER flag in SSR is set to 1 to indicate a framing error. The PER flag in SSR might also be set to 1 to indicate a parity error. The SCI continues the receive operation even after a break is received. Therefore, if the FER flag is set to 0, indicating that no framing error occurred, it is set to 1 again. When the SEMR.RXDESEL bit is 1, the SCI sets the SSR.FER flag to 1 and stops receiving operations until a start bit of the next data frame is detected. If the SSR.FER flag is 0, the SSR.FER flag retains 0 during the break.

When the RXDn pin is set to 1 and the break ends, detecting the beginning of the start bit on the first falling edge of the RXDn pin allows the SCI to start the receiving operation.

(2) FIFO selected

After a framing error is detected, when the SCI detects that continuous receive data is 0 for one frame, reception stops. When a framing error is detected, a break can be detected by reading the SPTR.RXDMON bit value. After the RXD signal is in the mark state and the break ends, reception of data to FRDRHL resumes.

28.14.4 Mark State and Production of Breaks

When the SCR/SCR_SMCI.TE bit is 0, disabling serial transmission, the state of the TXDn pin can be set using the SPTR.SPB2IO bit and SPTR.SPB2DT bit. With this approach, a TXDn pin can be placed in the mark state to transmit a break.

Before setting the SCR/SCR_SMCI.TE bit to 1, enabling serial transmission, set the SPB2IO and SPB2DT bits to put a communication line in the mark state (the state of 1), and change the TxDn pin using I/O port function. To output a break on data transmission, after setting the TXDn pin to output 0 by setting the SPB2IO and SPB2DT bits, change the TXDn pin using the I/O port function and set the SCR/SCR_SMCI.TE bit to 0. When the SCR/SCR_SMCI.TE bit is set to 0, the transmitter is initialized regardless of the current state of transmission.

28.14.5 Receive Error Flags and Transmit Operations in Clock Synchronous and Simple SPI Modes

Transmission cannot start when a receive error flag (ORER) in SSR/SSR_FIFO is set to 1, even if data is written to TDR or FTDR*1. Be sure to set the receive error flags to 0 before starting transmission.

Note: The receive error flags cannot be set to 0 if serial reception is disabled by setting the RE bit in SCR/SCR_SMCI to 0.

Note 1. Do not use the FTDRH register in simple SPI mode.

28.14.6 Restrictions on Clock Synchronous Transmission in Clock Synchronous Mode and Simple SPI Mode

When the external clock source is used as a synchronization clock, the following restrictions apply.

(1) Start of transmission

Wait at least the following time from writing transmit data to TDR to the start of the external clock input:

1 PCLKA cycle + data output delay time for the slave (t_{DO}) + setup time for the master (t_{SU}).

See [Figure 28.78](#).

(2) Continuous transmission

Write the next transmit data to TDR or TDRHL before the falling edge of the transmit clock, bit [7]. See [Figure 28.78](#).

When updating TDR after bit [7] starts to transmit, update TDR while the synchronization clock is in the low-level period, and set the high-level width of the transmit clock bit [7] to 4 PCLKA cycles or longer. See [Figure 28.78](#).

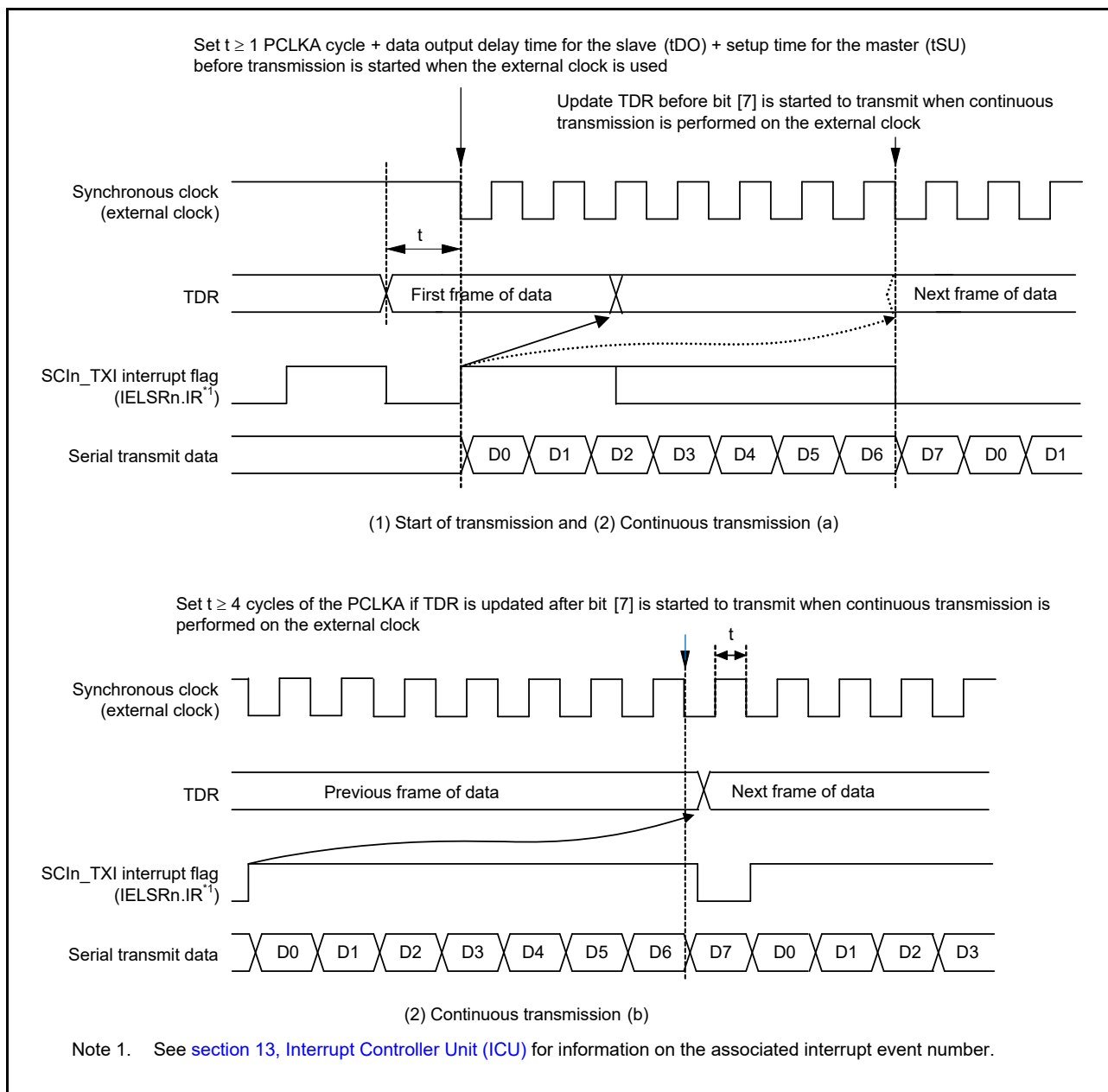


Figure 28.78 Restrictions on the use of external clock in clock synchronous transmission

28.14.7 Restrictions on Using DMAC or DTC

During transmission or reception operations using the DMAC or DTC, do not set transfer information for the DMAC or DTC.

(1) Writing data to TDR (FTDRHL)

(a) Non-FIFO selected

Data can be written to TDR and TDRHL. However, if new data is written to TDR or TDRHL when transmit data remains in TDR or TDRHL, the previous data in TDR and TDRHL is lost because it was not transferred to TSR yet. When using DMAC or DTC, be sure to write transmit data to TDR or TDRHL in the SCIn_TXI interrupt request handling routine.

(b) FIFO selected

It is possible to write data to the FTDRH and FTDRL registers when SCR.TE is 1. Confirm the amount of writable data using the FDR.T[4:0] bits.

(2) Reading data from RDR (FRDRHL)

When using the DMAC or DTC to read RDR and RDRHL, be sure to set the receive data full interrupt (SCIn_RXI) as the activation source of the relevant SCI channel.

28.14.8 Notes on Starting Transfer

At the point where transfer starts when the Interrupt Status flag (IELSRn.IR flag) in the ICU is 1, use the following procedure to clear interrupt requests before permitting operations (by setting the SCR/SCR_SMCI.TE or SCR/SCR_SMCI.RE bit to 1). For details on the interrupt status flag, see [section 13, Interrupt Controller Unit \(ICU\)](#).

1. Confirm that transfer stopped (the SCR/SCR_SMCI.TE or SCR/SCR_SMCI.RE bit is 0).
2. Set the associated interrupt enable bit (SCR/SCR_SMCI.TIE or SCR/SCR_SMCI.RIE) to 0.
3. Read the associated interrupt enable bit (SCR/SCR_SMCI.TIE or SCR/SCR_SMCI.RIE bit) to check that it actually becomes 0.
4. Set the Interrupt Status flag, IELSRn.IR, in the ICU to 0.

28.14.9 External Clock Input in Clock Synchronous Mode and Simple SPI Mode

In clock synchronous mode and simple SPI mode, the external clock (SCKn) must be input as follows:

High-pulse period, low-pulse period = 2 PCLKA cycles or more, period = 6 PCLKA cycles or more.

28.14.10 Limitations on Simple SPI Mode

(1) Master mode

- Use a resistor to pull up or pull down the clock line matching the initial settings for the transfer clock set by the SPMR.CKPH and CKPOL bits when the SPMR.SSE bit is 1. This prevents the clock line from being placed in the high-impedance state when the SCR.TE bit is set to 0 or unexpected edges from being generated on the clock line when the SCR.TE bit is changed from 0 to 1. When the SPMR.SSE bit is 0 in single-master mode, pulling up or pulling down the clock line is not required because the clock line is not placed in the high-impedance state even when the SCR.TE bit is set to 0.
- With clock delay (SPMR.CKPH bit is 1), the receive data full interrupt (SCIn_RXI) is generated before the final clock edge on the SCKn pin, as indicated in [Figure 28.79](#). If the TE and RE bits in the SCR become 0 before the final edge of the clock signal on the SCKn pin, the SCKn pin is placed in the high-impedance state, so the width of the last clock pulse of the transfer clock is shortened. In addition, an SCIn_RXI interrupt might lead to the input signal on the SSn pin of a connected slave going to the high level before the final edge of the clock signal on the SCKn pin, leading to incorrect operation of the slave.
- In a multi-master configuration, the SCKn pin output becomes high-impedance while the input on the SSn pin is at the low level if a mode fault error occurs while the current character is being transferred, stopping supply of the clock signal to the connected slave. Restore the settings for the connected slave to avoid misaligned bits when transfer is restarted.

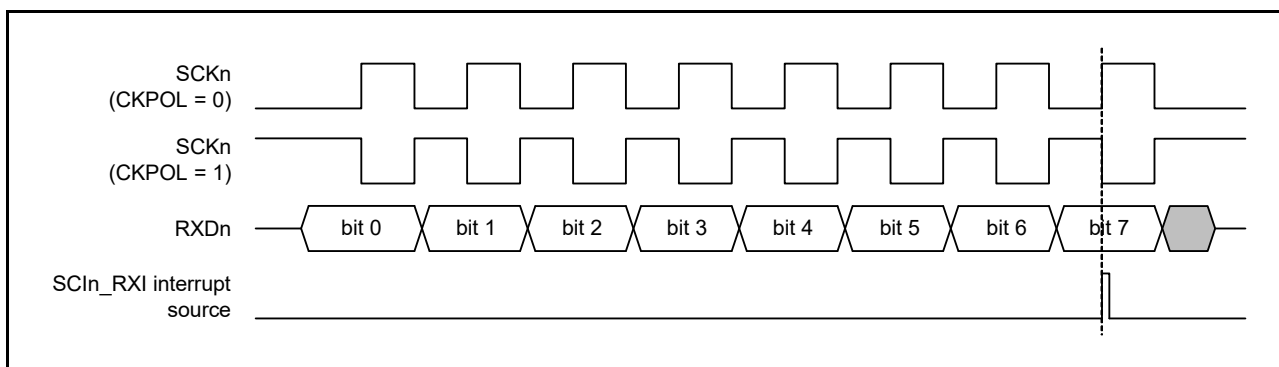


Figure 28.79 Timing of SCIn_RXI interrupt in simple SPI mode with clock delay

(2) Slave mode

- Wait at least the following time from writing transmit data to TDR to the start of the external clock input:
1 PCLKA cycle + data output delay time for the slave (t_{DO}) + setup time for the master (t_{SU})

Also, wait at least 5 PCLKA cycles from the input of the low level on the SSn pin to the start of the external clock input.

- Provide an external clock signal to the master for the data length for transfer
- Control the input on the SSn pin before the start and after the end of data transfer
- When the input level on the SSn pin changes from low to high while a character is being transferred, set the TE and RE bits in SCR to 0 and, after restoring the settings, restart transfer of the first byte.

29. I²C Bus Interface (IIC)

29.1 Overview

The MCU has a 2-channel I²C Bus Interface (IIC). The IIC module conforms with and provides a subset of the NXP I²C (Inter-Integrated Circuit) bus interface functions.

Table 29.1 lists the IIC specifications, Figure 29.1 shows the block diagram, and Figure 29.2 shows an example of I/O pin connections to external circuits, with an I²C bus configuration example. Table 29.2 lists the I/O pins.

Table 29.1 IIC specifications (1 of 2)

| Parameter | Description |
|----------------------------------|--------------------------------------------------------------------------------------------------------------------------------------------------------------------------------------------------------------------------------------------------------------------------------------------------------------------------------------------------------------------------------------------------------------------------------------------------------------------------------------------------------------------------------------------------------------------------------------------------------------------------------------------------------------------------------------------------------------------------------------------------------------------------------------------------------------------------------------------------------------------------------------------------------------------------------------------------------------------------------------------------------------------------------------------------------------------------------------------------|
| Communications format | <ul style="list-style-type: none"> I²C bus format or SMBus format Master mode or slave mode selectable Automatic securing of the setup times, hold times, and bus-free times for the transfer rate. |
| Transfer rate | Fast-mode supported up to 400 kbps |
| SCL clock | For master operation, the duty cycle of the SCL clock is selectable in the range from 4% to 96% |
| Issuing and detecting conditions | <ul style="list-style-type: none"> Start, restart, and stop conditions are automatically generated. Start conditions (including restart conditions) and stop conditions are detectable. |
| Slave address | <ul style="list-style-type: none"> Configurable for up to three different slave addresses 7-bit and 10-bit address formats supported, including simultaneous use General call addresses, device ID addresses, and SMBus host addresses detectable. |
| Acknowledgment | <ul style="list-style-type: none"> For transmission, automatic loading of the acknowledge bit. Transfer of the next data for transmission can be automatically suspended on detection of a not-acknowledge bit. For reception, automatic transmission of the acknowledge bit. If a wait between the 8th and 9th clock cycles is selected, software can control the value in the acknowledge field in response to the received value. |
| Wait function | During reception, the following wait periods can be obtained by holding the SCL clock low: <ul style="list-style-type: none"> Waiting between the 8th and 9th clock cycles Waiting between the 9th clock cycle and the 1st clock cycle of the next transfer. |
| SDA output delay function | Output timing of transmitted data, including the acknowledge bit, can be delayed. |
| Arbitration | <ul style="list-style-type: none"> For multi-master operation: <ul style="list-style-type: none"> SCL clock synchronization is possible when conflict occurs with the SCL signal from another master When issuing the start condition can create conflict on the bus, loss of arbitration is detected by testing for a mismatch between the internal signal for the SDA line and the level on the SDA line. In master operation, loss of arbitration is detected by testing for a mismatch between the signal on the SDA line and the internal signal for the SDA line. Loss of arbitration because the start condition occurs while the bus is busy is detectable, to prevent the issuing of double start conditions Loss of arbitration is detectable in transfer of a not-acknowledge bit because the internal signal for the SDA line and the level on the SDA line do not match Loss of arbitration because mismatching of internal and line levels for data is detectable in slave transmission. |
| Timeout function | Internal detection of long-interval stops of the SCL clock |
| Noise cancellation | <ul style="list-style-type: none"> Digital noise filters for both the SCL and SDA signals Programmable window for noise cancellation by the filters. |
| Interrupt sources | <ul style="list-style-type: none"> Transfer error or occurrence of events: arbitration detection, NACK, timeout, start or restart condition, or a stop condition Receive data full, including matching with a slave address Transmit data empty, including matching with a slave address Transmit end. |
| Module-stop function | Module-stop state can be set |
| IIC operating modes | <ul style="list-style-type: none"> Master transmit Master receive Slave transmit Slave receive. |

Table 29.1 IIC specifications (2 of 2)

| Parameter | Description |
|------------------------------|-----------------------------------------------------------------------------------------------------------------------------------------------------------------------------------------------------------------------------------------------------------------------------------------------------------------------------------------------|
| Event link function (output) | <ul style="list-style-type: none"> Transfer error or event occurrences: arbitration detection, NACK, timeout, start or restart condition, or a stop condition Receive data full, including matching with a slave address Transmit data empty, including matching with a slave address Transmit end. |
| Wakeup function*1 | <ul style="list-style-type: none"> CPU can return from a Software Standby mode using a wakeup event. |

Note 1. This function is only available for IIC channel IIC0.

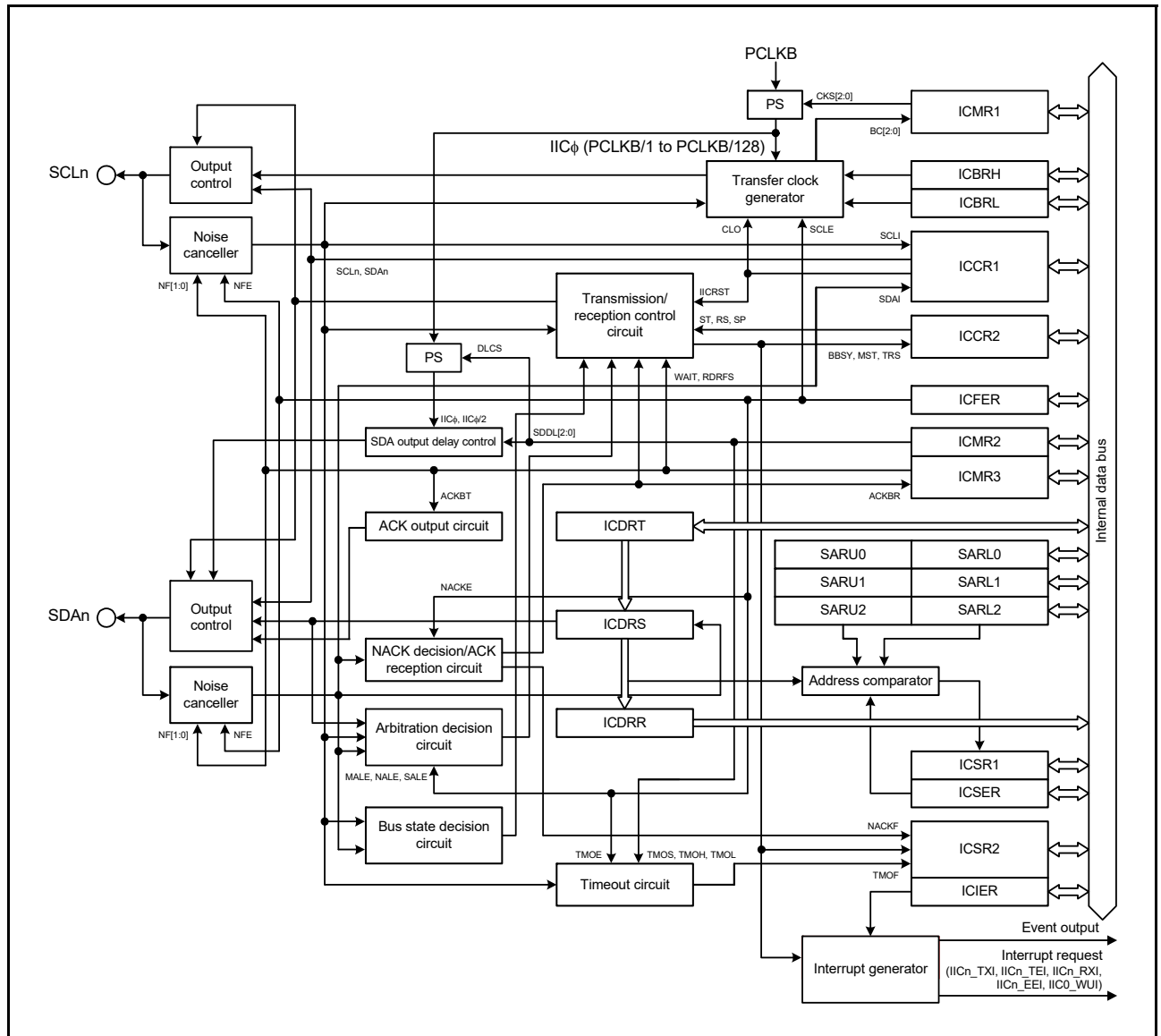


Figure 29.1 IIC block diagram

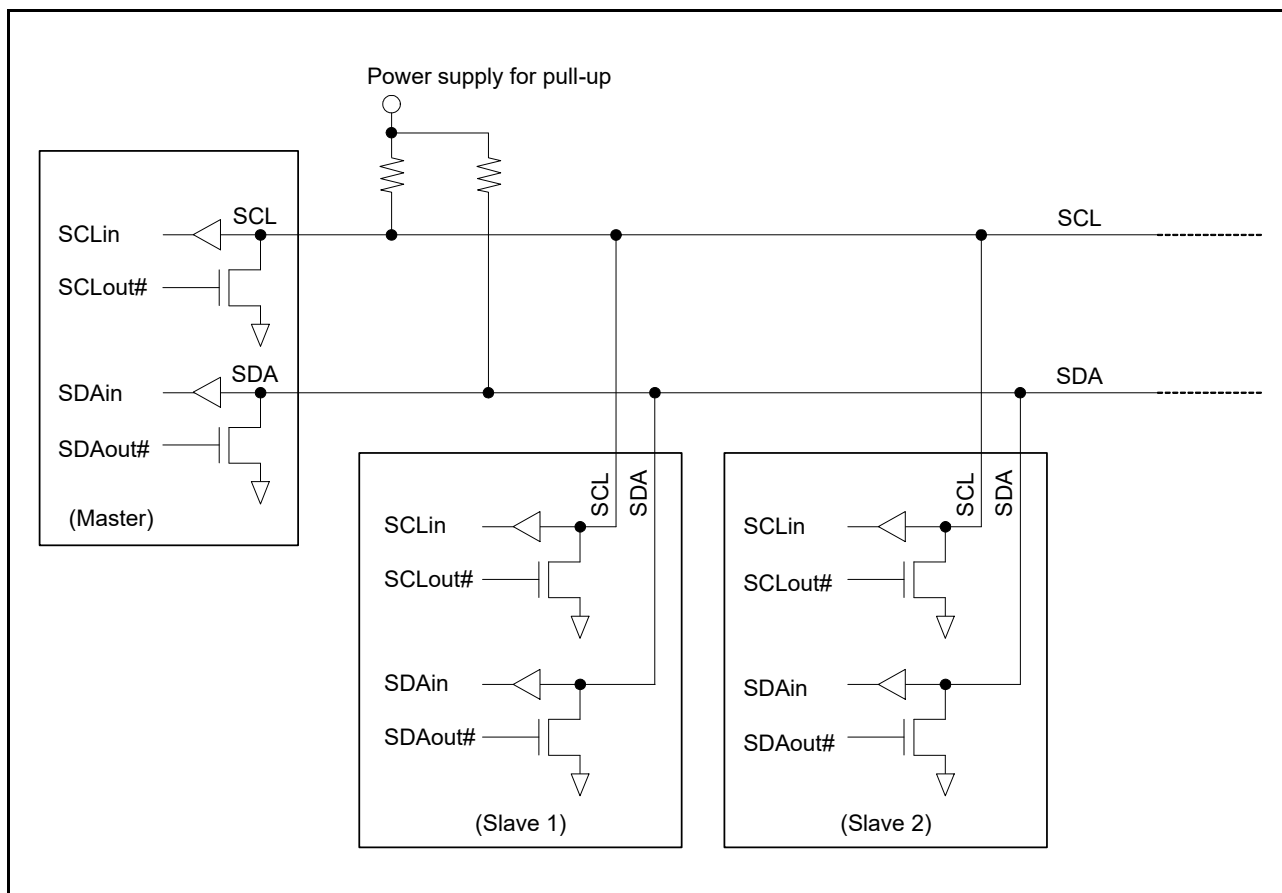


Figure 29.2 I/O pin connection to the external circuit (I²C bus configuration example)

The input level of the signals for IIC is CMOS when I²C bus is selected (the ICMR3.SMBS bit = 0), or TTL when SMBus is selected (ICMR3.SMBS = 1).

Table 29.2 IIC pin configuration

| Channel | Pin name | I/O | Function |
|---------|----------|-----|---------------------------|
| IIC0 | SCL0 | I/O | IIC0 serial clock I/O pin |
| | SDA0 | I/O | IIC0 serial data I/O pin |
| IIC1 | SCL1 | I/O | IIC1 serial clock I/O pin |
| | SDA1 | I/O | IIC1 serial data I/O pin |

29.2 Register Descriptions

29.2.1 I²C Bus Control Register 1 (ICCR1)

Address(es): IIC0.ICCR1 4005 3000h, IIC1.ICCR1 4005 3100h

| | | | | | | | | |
|--------------------|-----|--------|-----|------|------|------|------|------|
| | b7 | b6 | b5 | b4 | b3 | b2 | b1 | b0 |
| | ICE | IICRST | CLO | SOWP | SCLO | SDAO | SCLI | SDAI |
| Value after reset: | 0 | 0 | 0 | 1 | 1 | 1 | 1 | 1 |

| Bit | Symbol | Bit name | Description | R/W |
|-----|--------|-----------------------------------------------|--------------------------------------------------------------------------------------------------------------------------------------------------------------------------------------------------------------------------------------------------------------------------------------------------------------------------------------------------------------------------------------------------------------------------------------------------------------|-----|
| b0 | SDAI | SDA Line Monitor | 0: SDA _n line is low 1: SDA _n line is high. | R |
| b1 | SCLI | SCL Line Monitor | 0: SCL _n line is low 1: SCL _n line is high. | R |
| b2 | SDAO | SDA Output Control/Monitor | <ul style="list-style-type: none"> Read: <ul style="list-style-type: none"> 0: IIC drives the SDA_n pin low 1: IIC releases the SDA_n pin. Write: <ul style="list-style-type: none"> 0: IIC drives the SDA_n pin low 1: IIC releases the SDA_n pin. | R/W |
| b3 | SCLO | SCL Output Control/Monitor | <ul style="list-style-type: none"> Read: <ul style="list-style-type: none"> 0: IIC drives the SCL_n pin low 1: IIC releases the SCL_n pin. Write: <ul style="list-style-type: none"> 0: IIC drives the SCL_n pin low 1: IIC releases the SCL_n pin. Use an external pull-up resistor to drive the signal high. | R/W |
| b4 | SOWP | SCLO/SDAO Write Protect | 0: Write enable SCLO and SDAO bits 1: Write protect SCLO and SDAO bits. This bit is read as 1. | R/W |
| b5 | CLO | Extra SCL Clock Cycle Output | 0: Do not output extra SCL clock cycle (default) 1: Outputs extra SCL clock cycle. This bit clears automatically after 1 clock cycle is output. | R/W |
| b6 | IICRST | I ² C Bus Interface Internal Reset | 0: Release IIC reset or internal reset 1: Initiate IIC reset or internal reset. This clears the bit counter and the SCL _n /SDA _n output latch. | R/W |
| b7 | ICE | I ² C Bus Interface Enable | 0: Disable SCL _n and SDA _n pins in inactive state 1: Enable SCL _n and SDA _n pins in active state. Use in combination with the IICRST bit to select either IIC or internal reset. | R/W |

SDAO bit (SDA Output Control/Monitor) and SCLO bit (SCL Output Control/Monitor)

The SDAO and SCLO bits directly control the SDA_n and SCL_n signals output from the IIC.

When writing to these bits, also write 0 to the SOWP bit. Setting these bits results in input to the IIC by the input buffer. When slave mode is selected, a start condition might be detected and the bus might be released depending on the bit settings.

Do not rewrite these bits during a start condition, stop condition, restart condition, or during transmission or reception. Operation after rewriting under the specified conditions is not guaranteed. When reading these bits, the state of signals output from the IIC can be read.

CLO bit (Extra SCL Clock Cycle Output)

The CLO bit allows output of an extra SCL clock cycle for debugging or error processing.

Normally, set this bit to 0. Setting this bit to 1 in a normal communication state causes a communication error. For details on this function, see [section 29.12.2, Extra SCL Clock Cycle Output Function](#).

IICRST bit (I²C Bus Interface Internal Reset)

The IICRST bit initiates an internal reset of the IIC.

Setting this bit to 1 initiates an IIC reset or internal reset. Whether an IIC reset or internal reset is initiated is determined by setting this bit in combination with the ICE bit. [Table 29.3](#) lists the IIC resets.

The IIC reset initializes all registers except ICCR1.ICE and ICCR1.IICRST bits, and the internal states of the IIC.

The internal reset initializes the following in addition to the internal states of the IIC:

- Bit counter (ICMR1.BC[2:0] bits)
- I²C Bus Shift Register (ICDRS)
- I²C Bus Status Registers (ICSR1 and ICSR2)
- SDAO and SCLO Output Control/Monitor (ICCR1.SCLO and ICCR1.SDAO bits)
- I²C Bus Control Register 2 (except ICCR2.BBSY bit).

For the reset conditions of each register, see [section 29.15, Register States when Issuing Each Condition](#).

An internal reset initiated with the IICRST bit set to 1 during operation (with the ICE bit set to 1) resets the internal states of the IIC without initializing the port settings and the control and setting registers of the IIC. If the IIC hangs up in a low-level output state, resetting the internal states cancels the low-level output state and releases the bus with the SCLn pin and SDAn pin at high impedance.

Note: If an internal reset is initiated using the IICRST bit for a bus hang-up during communication with the master device in slave mode, the slave device and the master device might enter different states because the bit counter information differs. For this reason, do not initiate an internal reset in slave mode. Initiate recovery processing from the master device. If an internal reset is required because the IIC hangs with the SCLn line in a low-level output state in slave mode, initiate an internal reset, then issue a restart condition from the master device or issue a stop condition and resume communication from the start condition. If communication is restarted by initiating a reset solely in the slave device without issuing a start condition or restart condition from the master device, synchronization is lost because the master and slave devices operate asynchronously.

Table 29.3 IIC resets

| IICRST | ICE | State | Specifications |
|--------|-----|----------------|-----------------------------------------------------------------------------------------------------------------------------------------------------------------------------------------------------------------------------------------------------------------------------------------------------------------------|
| 1 | 0 | IIC reset | Resets all registers except ICCR1.ICE and ICCR1.IICRST bits, and the internal states of the IIC |
| | 1 | Internal reset | Resets the following in addition to the internal states of the IIC: <ul style="list-style-type: none"> • ICMR1.BC[2:0] bits • ICSR1 register • ICSR2 register • ICDRS register • ICCR1.SCLO and ICCR1.SDAO bits • ICCR2 register (except ICCR2.BBSY bit). |

ICE bit (I²C Bus Interface Enable)

The ICE bit selects the active or inactive state of the SCLn and SDAn pins. It can also be combined with the IICRST bit to initiate one of the two resets. See [Table 29.3](#) for the reset types.

Set the ICE bit to 1 when using the IIC. The SCLn and SDAn pins are placed in the active state when the ICE bit is set to 1. Set the ICE bit to 0 when the IIC is not used. The SCLn and SDAn pins are placed in the inactive state when the ICE bit is set to 0. Do not assign the SCLn or SDAn pin to the IIC when setting up the pin function control. Slave address comparison is performed if the pins are assigned to the IIC.

29.2.2 I²C Bus Control Register 2 (ICCR2)

Address(es): IIC0.ICCR2 4005 3001h, IIC1.ICCR2 4005 3101h

| | | | | | | | |
|------|-----|-----|----|----|----|----|----|
| b7 | b6 | b5 | b4 | b3 | b2 | b1 | b0 |
| BBSY | MST | TRS | — | SP | RS | ST | — |
| 0 | 0 | 0 | 0 | 0 | 0 | 0 | 0 |

Value after reset:

| Bit | Symbol | Bit name | Description | R/W |
|-----|--------|------------------------------------|---------------------------------------------------------------------------------------------------------|-------|
| b0 | — | Reserved | This bit is read as 0. The write value should be 0. | R/W |
| b1 | ST | Start Condition Issuance Request | 0: Do not issue a start condition request 1: Issue a start condition request. | R/W |
| b2 | RS | Restart Condition Issuance Request | 0: Do not issue a restart condition request 1: Issue a restart condition request. | R/W |
| b3 | SP | Stop Condition Issuance Request | 0: Do not issue a stop condition request 1: Issue a stop condition request. | R/W |
| b4 | — | Reserved | This bit is read as 0. The write value should be 0. | R/W |
| b5 | TRS | Transmit/Receive Mode | 0: Receive mode 1: Transmit mode. | R/W*1 |
| b6 | MST | Master/Slave Mode | 0: Slave mode 1: Master mode. | R/W*1 |
| b7 | BBSY | Bus Busy Detection Flag | 0: I ² C bus released (bus free state) 1: I ² C bus occupied (bus busy state). | R |

Note 1. The MST and TRS bits can be written to when the ICMR1.MTWP bit is set to 1.

ST bit (Start Condition Issuance Request)

The ST bit requests transition to master mode and issues a start condition.

When this bit is set to 1, a start condition is issued when the BBSY flag is set to 0 (bus free state). For details on issuing a start condition, see [section 29.11, Start, Restart, and Stop Condition Issuing Function](#).

[Setting condition]

- When 1 is written to the ST bit.

[Clearing conditions]

- When 0 is written to the ST bit
- When a start condition is issued (a start condition is detected)
- When the AL (arbitration-lost) flag in ICSR2 is set to 1
- When 1 is written to the IICRST bit in ICCR1 to initiate an IIC reset or an internal reset.

Note: Only set the ST bit to 1 (start condition request) when the BBSY flag is set to 0 (bus free state). Arbitration might be lost if the ST bit is set to 1 (start condition request) when the BBSY flag is set to 1 (bus busy state).

RS bit (Restart Condition Issuance Request)

The RS bit requests that a restart condition be issued in master mode.

When this bit is set to 1 to request a restart condition, a restart condition is issued when the BBSY flag is set to 1 (bus busy state) and the MST bit is set to 1 (master mode). For details on issuing a restart condition, see [section 29.11, Start, Restart, and Stop Condition Issuing Function](#).

[Setting condition]

- When 1 is written to the RS bit with the BBSY flag in ICCR2 set to 1.

[Clearing conditions]

- When 0 is written to the RS bit
- When a restart condition is issued (a start condition is detected)
- When the AL (arbitration-lost) flag in ICSR2 is set to 1
- When 1 is written to the IICRST bit in ICCR1 to initiate an IIC reset or an internal reset.

Note: Do not set the RS bit to 1 while issuing a stop condition.

Note: If 1 (restart condition request) is written to the RS bit in slave mode, the restart condition is not issued but the RS bit remains set to 1. If the operating mode changes to master mode without the RS bit being cleared, the restart condition might be issued.

SP bit (Stop Condition Issuance Request)

The SP bit requests that a stop condition be issued in master mode.

When this bit is set to 1, a stop condition is issued when the BBSY flag is set to 1 (bus busy state) and the MST bit is set to 1 (master mode). For details on issuing a stop condition, see [section 29.11, Start, Restart, and Stop Condition Issuing Function](#).

[Setting condition]

- When 1 is written to the SP bit with both the BBSY flag and the MST bit in ICCR2 set to 1.

[Clearing conditions]

- When 0 is written to the SP bit
- When a stop condition is issued (a stop condition is detected)
- When the AL (arbitration-lost) flag in ICSR2 is set to 1
- When a start condition and a restart condition are detected
- When 1 is written to the IICRST bit in ICCR1 to initiate an IIC reset or an internal reset.

Note: Writing to the SP bit is not possible while the BBSY flag is 0 (bus free state).

Note: Do not set the SP bit to 1 while a restart condition is being issued.

TRS bit (Transmit/Receive Mode)

The TRS bit indicates transmit or receive mode.

The IIC is in receive mode when the TRS bit is set to 0 and in transmit mode when the TRS bit is set to 1. The combination of the TRS bit and the MST bit indicates the IIC operating mode.

The value of the TRS bit automatically changes to 1 for transmit mode or 0 for receive mode when a start condition is issued or detected and the R/W# bit is set. Although writing to the TRS bit is possible when the MTWP bit in ICMR1 is set to 1, writing to the TRS bit is not required during normal usage.

[Setting conditions]

- When a start condition is issued normally because of a start condition request (when a start condition is detected with the ST bit set to 1)
- When a restart condition is issued normally because of a restart condition request (when a restart condition is detected with the RS bit set to 1)
- When the R/W# bit is appended to the slave address is set to 0 in master mode
- When the address received in slave mode matches the address enabled in ICSE, with the R/W# bit set to 1
- When 1 is written to the TRS bit with the MTWP bit in ICMR1 set to 1.

[Clearing conditions]

- When a stop condition is detected

- When the AL (arbitration-lost) flag in ICSR2 is set to 1
- When the R/W# bit is appended to the slave address is set to 1 in master mode
- In slave mode, on a match between the received address and the address enabled in ICSEI when the value of the received R/W# bit is 0, including when the received address is the general call address
- In slave mode, when a restart condition is detected (a start condition is detected with ICCR2.BBSY = 1 and ICCR2.MST = 0)
- When 0 is written to the TRS bit with the MTWP bit in ICMR1 set to 1
- When 1 is written to the IICRST bit in ICCR1 to initiate an IIC reset or an internal reset.

MST bit (Master/Slave Mode)

The MST bit indicates master or slave mode.

The IIC is in slave mode when the MST bit is set to 0 and is in master mode when the MST bit is set to 1. The combination of the MST bit and the TRS bit indicates the operating mode of the IIC.

The value of the MST bit automatically changes to 1 for master mode or 0 for slave mode when a start condition is issued, or when a stop condition is issued or detected. Although writing to the MST bit is possible when the MTWP bit in ICMR1 is set to 1, writing to the MST bit is not required during normal usage.

[Setting conditions]

- When a start condition is issued normally because of a start condition request (when a start condition is detected with the ST bit set to 1)
- When 1 is written to the MST bit with the MTWP bit in ICMR1 set to 1.

[Clearing conditions]

- When a stop condition is detected
- When the AL (arbitration-lost) flag in ICSR2 is set to 1
- When 0 is written to the MST bit with the MTWP bit in ICMR1 set to 1
- When 1 is written to the IICRST bit in ICCR1 to initiate an IIC reset or an internal reset.

BBSY flag (Bus Busy Detection Flag)

The BBSY flag indicates whether the I²C bus is occupied (bus busy state) or released (bus free state).

This flag is set to 1 when the SDA_n line changes from high to low with the SCL_n line high, assuming that a start condition was issued.

This flag is set to 0 when the SDA_n line changes from low to high with the SCL_n line high, if the bus free time (ICBRL setting) start condition is not detected, assuming that a stop condition was issued.

[Setting condition]

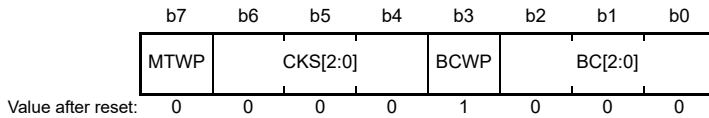
- When a start condition is detected.

[Clearing conditions]

- When the bus free time (ICBRL setting) start condition is not detected after detecting a stop condition
- When 1 is written to the IICRST bit in ICCR1 with the ICE bit in ICCR1 set to 0 (IIC reset).

29.2.3 I²C Bus Mode Register 1 (ICMR1)

Address(es): IIC0.ICMR1 4005 3002h, IIC1.ICMR1 4005 3102h



| Bit | Symbol | Bit name | Description | R/W |
|----------|--------------------------|---------------------------------|------------------------------------------------------------------------------------------------------------------------------------------------------------------------------------------------------------------------------------------------------------------------------------|-------|
| b2 to b0 | BC[2:0] | Bit Counter | b2 b0 0 0 0: 9 bits 0 0 1: 2 bits 0 1 0: 3 bits 0 1 1: 4 bits 1 0 0: 5 bits 1 0 1: 6 bits 1 1 0: 7 bits 1 1 1: 8 bits. | R/W*1 |
| b3 | BCWP | BC Write Protect | 0: Write enable BC[2:0] bits 1: Write protect BC[2:0] bits. This bit is read as 1. | R/W*1 |
| b6 to b4 | CKS[2:0] | Internal Reference Clock Select | Select the internal reference clock source (IIC ϕ) for the IIC. b6 b4 0 0 0: PCLKB clock 0 0 1: PCLKB/2 clock 0 1 0: PCLKB/4 clock 0 1 1: PCLKB/8 clock 1 0 0: PCLKB/16 clock 1 0 1: PCLKB/32 clock 1 1 0: PCLKB/64 clock 1 1 1: PCLKB/128 clock. | R/W |
| b7 | MTWP | MST/TRS Write Protect | 0: Write protect MST and TRS bits in ICCR2 1: Write enable MST and TRS bits in ICCR2. | R/W |

Note 1. Rewrite the BC[2:0] bits and set the BCWP bit to 0 at the same time.

[BC\[2:0\] bits \(Bit Counter\)](#)

The BC[2:0] bits function as a counter that indicates the number of bits remaining to be transferred on detection of a rising edge on the SCLn line. Although the BC[2:0] bits are writable and readable, it is not required to access these bits under normal conditions.

To write to these bits, specify the number of bits to be transferred plus one for an additional acknowledge bit, between transferred frames when the SCLn line is at a low level.

The values of the BC[2:0] bits return to 000b at the end of a data transfer including the acknowledge bit, or when a start or restart condition is detected.

29.2.4 I²C Bus Mode Register 2 (ICMR2)

Address(es): IIC0.ICMR2 4005 3003h, IIC1.ICMR2 4005 3103h



| Bit | Symbol | Bit name | Description | R/W | | | | | | | | | | | | | | | | | | | | | | | | | | | | | | | | | | | | | | | | | | | | | | | | | | | | | | |
|----------|-----------|--------------------------------------|-----------------------------------------------------------------------------------------------------------------------------------------------------------------------------------------------------------------------------------------------------------------------------------------------------------------------------------------------------------------------------------------------------------------------------------------------------------------------------------------------------------------------------------------------------------------------------------------------------------------------------------------------------------------------------------------------------------------------------------------------------------------------------------------------------------------------------------------------------------------------------------------------------------------------------------------------------------------------------------------------------------------------------------------------------------------------------------------------------------------------------------------------------------------------------------------------------------------------------------------------------------------------------------------------------------------------------------------------------------------------------------------------------------------------------------------------------------------------------------------------------------------------------------------------------------------------------------|-----|----|--|---|---|--------------------|---|---|-----------------------|---|---|------------------------|---|---|------------------------|---|---|------------------------|---|---|------------------------|---|---|------------------------|---|---|-------------------------|----|----|--|---|---|--------------------|---|---|-----------------------------|---|---|-----------------------------|---|---|-----------------------------|---|---|-----------------------------|---|---|------------------------------|---|---|-------------------------------|---|---|--------------------------------|-----|
| b0 | TMOS | Timeout Detection Time Select | 0: Select long mode 1: Select short mode. | R/W | | | | | | | | | | | | | | | | | | | | | | | | | | | | | | | | | | | | | | | | | | | | | | | | | | | | | | |
| b1 | TMOL | Timeout L Count Control | 0: Disable count while the SCLn line is low 1: Enable count while the SCLn line is low. | R/W | | | | | | | | | | | | | | | | | | | | | | | | | | | | | | | | | | | | | | | | | | | | | | | | | | | | | | |
| b2 | TMOH | Timeout H Count Control | 0: Count is disabled while the SCLn line is at a high level 1: Count is enabled while the SCLn line is at a high level. | R/W | | | | | | | | | | | | | | | | | | | | | | | | | | | | | | | | | | | | | | | | | | | | | | | | | | | | | | |
| b3 | — | Reserved | This bit is read as 0. The write value should be 0. | R/W | | | | | | | | | | | | | | | | | | | | | | | | | | | | | | | | | | | | | | | | | | | | | | | | | | | | | | |
| b6 to b4 | SDDL[2:0] | SDA Output Delay Counter | <ul style="list-style-type: none"> • When ICMR2.DLCS = 0 (IICϕ) <table border="0" style="margin-left: 20px;"> <tr><td>b6</td><td>b4</td><td></td></tr> <tr><td>0</td><td>0</td><td>0: No output delay</td></tr> <tr><td>0</td><td>0</td><td>1: 1 IICϕ cycle</td></tr> <tr><td>0</td><td>1</td><td>0: 2 IICϕ cycles</td></tr> <tr><td>0</td><td>1</td><td>1: 3 IICϕ cycles</td></tr> <tr><td>1</td><td>0</td><td>0: 4 IICϕ cycles</td></tr> <tr><td>1</td><td>0</td><td>1: 5 IICϕ cycles</td></tr> <tr><td>1</td><td>1</td><td>0: 6 IICϕ cycles</td></tr> <tr><td>1</td><td>1</td><td>1: 7 IICϕ cycles.</td></tr> </table> • When ICMR2.DLCS = 1 (IICϕ/2) <table border="0" style="margin-left: 20px;"> <tr><td>b6</td><td>b4</td><td></td></tr> <tr><td>0</td><td>0</td><td>0: No output delay</td></tr> <tr><td>0</td><td>0</td><td>1: 1 or 2 IICϕ cycles</td></tr> <tr><td>0</td><td>1</td><td>0: 3 or 4 IICϕ cycles</td></tr> <tr><td>0</td><td>1</td><td>1: 5 or 6 IICϕ cycles</td></tr> <tr><td>1</td><td>0</td><td>0: 7 or 8 IICϕ cycles</td></tr> <tr><td>1</td><td>0</td><td>1: 9 or 10 IICϕ cycles</td></tr> <tr><td>1</td><td>1</td><td>0: 11 or 12 IICϕ cycles</td></tr> <tr><td>1</td><td>1</td><td>1: 13 or 14 IICϕ cycles.</td></tr> </table> | b6 | b4 | | 0 | 0 | 0: No output delay | 0 | 0 | 1: 1 IIC ϕ cycle | 0 | 1 | 0: 2 IIC ϕ cycles | 0 | 1 | 1: 3 IIC ϕ cycles | 1 | 0 | 0: 4 IIC ϕ cycles | 1 | 0 | 1: 5 IIC ϕ cycles | 1 | 1 | 0: 6 IIC ϕ cycles | 1 | 1 | 1: 7 IIC ϕ cycles. | b6 | b4 | | 0 | 0 | 0: No output delay | 0 | 0 | 1: 1 or 2 IIC ϕ cycles | 0 | 1 | 0: 3 or 4 IIC ϕ cycles | 0 | 1 | 1: 5 or 6 IIC ϕ cycles | 1 | 0 | 0: 7 or 8 IIC ϕ cycles | 1 | 0 | 1: 9 or 10 IIC ϕ cycles | 1 | 1 | 0: 11 or 12 IIC ϕ cycles | 1 | 1 | 1: 13 or 14 IIC ϕ cycles. | R/W |
| b6 | b4 | | | | | | | | | | | | | | | | | | | | | | | | | | | | | | | | | | | | | | | | | | | | | | | | | | | | | | | | | |
| 0 | 0 | 0: No output delay | | | | | | | | | | | | | | | | | | | | | | | | | | | | | | | | | | | | | | | | | | | | | | | | | | | | | | | | |
| 0 | 0 | 1: 1 IIC ϕ cycle | | | | | | | | | | | | | | | | | | | | | | | | | | | | | | | | | | | | | | | | | | | | | | | | | | | | | | | | |
| 0 | 1 | 0: 2 IIC ϕ cycles | | | | | | | | | | | | | | | | | | | | | | | | | | | | | | | | | | | | | | | | | | | | | | | | | | | | | | | | |
| 0 | 1 | 1: 3 IIC ϕ cycles | | | | | | | | | | | | | | | | | | | | | | | | | | | | | | | | | | | | | | | | | | | | | | | | | | | | | | | | |
| 1 | 0 | 0: 4 IIC ϕ cycles | | | | | | | | | | | | | | | | | | | | | | | | | | | | | | | | | | | | | | | | | | | | | | | | | | | | | | | | |
| 1 | 0 | 1: 5 IIC ϕ cycles | | | | | | | | | | | | | | | | | | | | | | | | | | | | | | | | | | | | | | | | | | | | | | | | | | | | | | | | |
| 1 | 1 | 0: 6 IIC ϕ cycles | | | | | | | | | | | | | | | | | | | | | | | | | | | | | | | | | | | | | | | | | | | | | | | | | | | | | | | | |
| 1 | 1 | 1: 7 IIC ϕ cycles. | | | | | | | | | | | | | | | | | | | | | | | | | | | | | | | | | | | | | | | | | | | | | | | | | | | | | | | | |
| b6 | b4 | | | | | | | | | | | | | | | | | | | | | | | | | | | | | | | | | | | | | | | | | | | | | | | | | | | | | | | | | |
| 0 | 0 | 0: No output delay | | | | | | | | | | | | | | | | | | | | | | | | | | | | | | | | | | | | | | | | | | | | | | | | | | | | | | | | |
| 0 | 0 | 1: 1 or 2 IIC ϕ cycles | | | | | | | | | | | | | | | | | | | | | | | | | | | | | | | | | | | | | | | | | | | | | | | | | | | | | | | | |
| 0 | 1 | 0: 3 or 4 IIC ϕ cycles | | | | | | | | | | | | | | | | | | | | | | | | | | | | | | | | | | | | | | | | | | | | | | | | | | | | | | | | |
| 0 | 1 | 1: 5 or 6 IIC ϕ cycles | | | | | | | | | | | | | | | | | | | | | | | | | | | | | | | | | | | | | | | | | | | | | | | | | | | | | | | | |
| 1 | 0 | 0: 7 or 8 IIC ϕ cycles | | | | | | | | | | | | | | | | | | | | | | | | | | | | | | | | | | | | | | | | | | | | | | | | | | | | | | | | |
| 1 | 0 | 1: 9 or 10 IIC ϕ cycles | | | | | | | | | | | | | | | | | | | | | | | | | | | | | | | | | | | | | | | | | | | | | | | | | | | | | | | | |
| 1 | 1 | 0: 11 or 12 IIC ϕ cycles | | | | | | | | | | | | | | | | | | | | | | | | | | | | | | | | | | | | | | | | | | | | | | | | | | | | | | | | |
| 1 | 1 | 1: 13 or 14 IIC ϕ cycles. | | | | | | | | | | | | | | | | | | | | | | | | | | | | | | | | | | | | | | | | | | | | | | | | | | | | | | | | |
| b7 | DLCS | SDA Output Delay Clock Source Select | 0: Internal reference clock (IIC ϕ) selected as the clock source for the SDA output delay counter 1: Internal reference clock divided by 2 (IIC ϕ /2) selected as the clock source of the SDA output delay counter.*1 | R/W | | | | | | | | | | | | | | | | | | | | | | | | | | | | | | | | | | | | | | | | | | | | | | | | | | | | | | |

Note 1. The setting DLCS = 1 (IIC ϕ /2) is only valid when SCL is low. When SCL is high, the setting DLCS = 1 is invalid and the clock source becomes the internal reference clock (IIC ϕ).

TMOS bit (Timeout Detection Time Select)

The TMOS bit selects long mode or short mode for the timeout detection time when the timeout function is enabled (ICFER.TMOE bit = 1). When this bit is set to 0, long mode is selected. When this bit is set to 1, short mode is selected. In long mode, the timeout detection internal counter functions as a 16-bit counter. In short mode, the counter functions as a 14-bit counter. While the SCLn line is in the state that enables this counter as specified in the TMOH and TMOL bits, the counter counts up in synchronization with the internal reference clock (IIC ϕ) as a count source.

For details on the timeout function, see [section 29.12.1, Timeout Function](#).

TMOL bit (Timeout L Count Control)

The TMOL bit enables or disables up-counting on the internal counter of the timeout function while the SCLn line is held low and the timeout function is enabled (ICFER.TMOE bit = 1).

TMOH bit (Timeout H Count Control)

The TMOH bit enables or disables up-counting on the internal counter of the timeout function while the SCLn line is

held high and the timeout function is enabled (ICFER.TMOE bit = 1).

SDDL[2:0] bits (SDA Output Delay Counter)

The SDDL[2:0] bits can be used to delay the SDA output. This counter works with the clock source selected by the DLCS bit. The SDDL[2:0] setting can be used for all types of SDA output, including the transmission of the acknowledge bit.

Set the SDA output delay time to meet the I²C bus standard for the data enable time/acknowledge enable time*¹, or the SMBus standard, within [data hold time (300 ns or more + the SCL clock low-level period) - the data setup time (250 ns)]. If a value outside the standard is set, communication between devices might malfunction or falsely indicate a start condition or stop condition, depending on the bus state.

For details on this function, see [section 29.5, SDA Output Delay Function](#).

Note 1. Data enable time/acknowledge enable time
 3450 ns for up to 100 kbps: Standard-mode (Sm)
 900 ns for up to 400 kbps: Fast-mode (Fm)

29.2.5 I²C Bus Mode Register 3 (ICMR3)

Address(es): IIC0.ICMR3 4005 3004h, IIC1.ICMR3 4005 3104h

| b7 | b6 | b5 | b4 | b3 | b2 | b1 | b0 |
|--------------------|------|-------|------------|-------|-------|---------|----|
| SMBS | WAIT | RDRFS | ACKWP P | ACKBT | ACKBR | NF[1:0] | |
| Value after reset: | 0 | 0 | 0 | 0 | 0 | 0 | 0 |

| Bit | Symbol | Bit name | Description | R/W |
|--------|---------|-----------------------------------|-----------------------------------------------------------------------------------------------------------------------------------------------------------------------------------------------------------------------------------------------------------------------------------------------------------------------------------------------------------------------------------------------|-------|
| b1, b0 | NF[1:0] | Noise Filter Stage Select | b1 b0 0 0: Noise of up to 1 IIC ϕ cycle is filtered out (single-stage filter) 0 1: Noise of up to 2 IIC ϕ cycles is filtered out (2-stage filter) 1 0: Noise of up to 3 IIC ϕ cycles is filtered out (3-stage filter) 1 1: Noise of up to 4 IIC ϕ cycles is filtered out (4-stage filter). | R/W |
| b2 | ACKBR | Receive Acknowledge | 0: 0 received as the acknowledge bit (ACK reception) 1: 1 received as the acknowledge bit (NACK reception). | R |
| b3 | ACKBT | Transmit Acknowledge | 0: 0 sent as the acknowledge bit (ACK transmission) 1: 1 sent as the acknowledge bit (NACK transmission). | R/W*1 |
| b4 | ACKWP | ACKBT Write Protect | 0: Write protect the ACKBT bit 1: Write enable the ACKBT bit. | R/W*1 |
| b5 | RDRFS | RDRF Flag Set Timing Select | 0: Set the RDRF flag on the rising edge of the 9 th SCL clock cycle. The SCLn line is not held low on the falling edge of the 8 th clock cycle. 1: Set the RDRF flag on the rising edge of the 8 th SCL clock cycle. The SCLn line is held low on the falling edge of the 8 th clock cycle. Low-hold is released by writing to ACKBT. | R/W*2 |
| b6 | WAIT | WAIT | 0: No WAIT SCLn is not held low during the period between 9 th clock cycle and first clock cycle 1: WAIT SCLn is held low during the period between 9 th clock cycle and 1 st clock cycle. Low-hold is released by reading ICDRR. | R/W*2 |
| b7 | SMBS | SMBus/I ² C-Bus Select | 0: I ² C bus selected 1: SMBus selected. | R/W |

Note 1. Write to the ACKBT bit only when the ACKWP bit is already 1. If software writes 1 to both the ACKWP and ACKBT bits at the same time, the ACKBT bit is not set to 1.

Note 2. The WAIT and RDRFS bits are valid only in receive mode (invalid in transmit mode).

NF[1:0] bits (Noise Filter Stage Select)

The NF[1:0] bits select the number of stages in the digital noise filter.

For details on the digital noise filter function, see [section 29.6, Digital Noise Filter Circuits](#).

Note: Set the noise range to be filtered out by the noise filter within a range less than the SCLn line high-level period or low-level period. If the noise range is set to a value of [SCL clock width: high-level period or low-level period, whichever is shorter] - [1.5 internal reference clock (IIC ϕ) cycles + analog noise filter: 120 ns (reference values)] or more, the SCL clock is regarded as noise by the noise filter function of the IIC, which might prevent the IIC from operating normally.

ACKBR bit (Receive Acknowledge)

The ACKBR bit stores the acknowledge bit information received from the receive device in transmit mode.

[Setting condition]

- When 1 is received as the acknowledge bit with the TRS bit in ICCR2 set to 1.

[Clearing conditions]

- When 0 is received as the acknowledge bit with the TRS bit in ICCR2 set to 1
- When 1 is written to the IICRST bit in ICCR1 while the ICE bit in ICCR1 is 0 (IIC reset).

ACKBT bit (Transmit Acknowledge)

The ACKBT bit is used to control the value of the acknowledge bit in receive mode.

[Setting condition]

- When 1 is written to this bit with the ACKWP bit set to 1.

[Clearing conditions]

- When 0 is written to this bit with the ACKWP bit set to 1
- When stop condition issue is detected with the SP bit in ICCR2 set to 1
- When 1 is written to the IICRST bit in ICCR1 while the ICE bit in ICCR1 is 0 (IIC reset).

ACKWP bit (ACKBT Write Protect)

The ACKWP bit controls the write enabling of the ACKBT bit.

RDRFS bit (RDRF Flag Set Timing Select)

The RDRFS bit selects the RDRF flag set timing in receive mode and also selects whether to hold the SCLn line low on the falling edge of the 8th SCL clock cycle.

When the RDRFS bit is 0, the SCLn line is not held low on the falling edge of the 8th SCL clock cycle, and the RDRF flag is set to 1 on the rising edge of the 9th SCL clock cycle.

When the RDRFS bit is 1, the RDRF flag is set to 1 on the rising edge of the 8th SCL clock cycle and the SCLn line is held low on the falling edge of the 8th SCL clock cycle. The low-hold of the SCLn line is released by writing a value to the ACKBT bit.

After data is received with this setting, the SCLn line is automatically held low before the acknowledge bit is sent. This enables processing to send ACK (ACKBT = 0) or NACK (ACKBT = 1) based on the receive data.

WAIT bit (WAIT)

The WAIT bit controls whether to hold the period between the 9th SCL clock cycle and the 1st SCL clock cycle low until the receive data buffer (ICDRR) is completely read each time a single-byte data is received in receive mode.

When the WAIT bit is 0, the receive operation continues without holding the period between the 9th and the 1st SCL clock cycle low. When both the RDRFS and WAIT bits are 0, continuous receive operation is enabled with the double buffer.

When the WAIT bit is 1, the SCLn line is held low from the falling edge of the 9th clock cycle until the ICDRR value is

read each time a single-byte of data is received. This enables receive operation in byte units.

Note: When the WAIT bit value is to be read, be sure to first read the ICDRR.

SMBS bit (SMBus/I²C-Bus Select)

Setting the SMBS bit to 1 selects the SMBus and enables the HOAE bit in IC SER.

29.2.6 I²C Bus Function Enable Register (ICFER)

Address(es): IIC0.ICFER 4005 3005h, IIC1.ICFER 4005 3105h

| | b7 | b6 | b5 | b4 | b3 | b2 | b1 | b0 |
|--------------------|----|------|-----|-------|------|------|------|------|
| | — | SCLE | NFE | NACKE | SALE | NALE | MALE | TMOE |
| Value after reset: | 0 | 1 | 1 | 1 | 0 | 0 | 1 | 0 |

| Bit | Symbol | Bit name | Description | R/W |
|-----|--------|-----------------------------------------------------|----------------------------------------------------------------------------------------------------------------------------------------------------------------------------------------------------------------------------------------------------------------------------------------------|-----|
| b0 | TMOE | Timeout Function Enable | 0: Timeout function disabled 1: Timeout function enabled. | R/W |
| b1 | MALE | Master Arbitration-Lost Detection Enable | 0: Master arbitration-lost detection disabled. Also disables automatic clearing of the MST and TRS bits in ICCR2 when arbitration is lost. 1: Master arbitration-lost detection enabled. Also enables automatic clearing of the MST and TRS bits in ICCR2 when arbitration is lost. | R/W |
| b2 | NALE | NACK Transmission Arbitration-Lost Detection Enable | 0: NACK transmission arbitration-lost detection disabled 1: NACK transmission arbitration-lost detection enabled. | R/W |
| b3 | SALE | Slave Arbitration-Lost Detection Enable | 0: Slave arbitration-lost detection disabled 1: Slave arbitration-lost detection enabled. | R/W |
| b4 | NACKE | NACK Reception Transfer Suspension Enable | 0: Transfer operation not suspended during NACK reception (transfer suspension disabled) 1: Transfer operation suspended during NACK reception (transfer suspension enabled). | R/W |
| b5 | NFE | Digital Noise Filter Circuit Enable | 0: No digital noise filter circuit used 1: A digital noise filter circuit used. | R/W |
| b6 | SCLE | SCL Synchronous Circuit Enable | 0: No SCL synchronous circuit used 1: An SCL synchronous circuit used. | R/W |
| b7 | — | Reserved | This bit is read as 0. The write value should be 0. | R/W |

TMOE bit (Timeout Function Enable)

The TMOE bit enables the timeout function.

For details on the timeout function, see [section 29.12.1, Timeout Function](#).

MALE bit (Master Arbitration-Lost Detection Enable)

The MALE bit specifies whether to use the arbitration-lost detection function in master mode. For normal operation, set this bit to 1.

NALE bit (NACK Transmission Arbitration-Lost Detection Enable)

The NALE bit specifies whether to cause loss of arbitration when ACK is detected during transmission of NACK in receive mode, for instance, when slaves with the same address exist on the bus or when two or more masters select the same slave device simultaneously with different number of receive bytes.

SALE bit (Slave Arbitration-Lost Detection Enable)

The SALE bit specifies whether to cause arbitration to be lost when a value different from the value being transmitted is

detected on the bus in slave transmit mode, for example, when slaves with the same address exist on the bus, or when a mismatch with the transmit data occurs because of noise.

NACKE bit (NACK Reception Transfer Suspension Enable)

The NACKE bit specifies whether to continue or discontinue the transfer operation when NACK is received from the slave device in transmit mode. For normal operation, set this bit to 1.

When NACK is received with the NACKE bit set to 1, the next transfer operation is suspended. When the NACKE bit is 0, the next transfer operation continues regardless of the received acknowledge content.

For details on the NACK reception transfer suspension function, see [section 29.9.2, NACK Reception Transfer Suspension Function](#).

SCLE bit (SCL Synchronous Circuit Enable)

The SCLE bit specifies whether to synchronize the SCL clock with the SCL input clock. For normal operation, set this bit to 1.

When the SCLE bit is set to 0 (no SCL synchronous circuit used), the IIC does not synchronize the SCL clock with the SCL input clock. In this setting, the IIC outputs the SCL clock with the transfer rate set in ICBRH and ICBRL regardless of the SCLn line state. For this reason, if the bus load of the I²C bus line is much larger than the specification value or if the SCL clock output overlaps in multiple masters, a short-cycle SCL clock that does not meet the specification might be output. When no SCL synchronous circuit is used, it also affects the issuing of the start, restart, and stop conditions, and the continuous output of extra SCL clock cycles.

The SCLE bit must not be set to 0 except for checking the output of the set transfer rate.

29.2.7 I²C Bus Status Enable Register (ICSER)

Address(es): IIC0.ICSER 4005 3006h, IIC1.ICSER 4005 3106h

| | b7 | b6 | b5 | b4 | b3 | b2 | b1 | b0 |
|--------------------|------|----|------|----|------|-------|-------|-------|
| | HOAE | — | DIDE | — | GCAE | SAR2E | SAR1E | SAR0E |
| Value after reset: | 0 | 0 | 0 | 0 | 1 | 0 | 0 | 1 |

| Bit | Symbol | Bit name | Description | R/W |
|-----|--------|------------------------------------|----------------------------------------------------------------------------------------------|-----|
| b0 | SAR0E | Slave Address Register 0 Enable | 0: Slave address in SARL0 and SARU0 disabled 1: Slave address in SARL0 and SARU0 enabled. | R/W |
| b1 | SAR1E | Slave Address Register 1 Enable | 0: Slave address in SARL1 and SARU1 disabled 1: Slave address in SARL1 and SARU1 enabled. | R/W |
| b2 | SAR2E | Slave Address Register 2 Enable | 0: Slave address in SARL2 and SARU2 disabled 1: Slave address in SARL2 and SARU2 enabled. | R/W |
| b3 | GCAE | General Call Address Enable | 0: General call address detection disabled 1: General call address detection enabled. | R/W |
| b4 | — | Reserved | This bit is read as 0. The write value should be 0. | R/W |
| b5 | DIDE | Device ID Address Detection Enable | 0: Device ID address detection disabled 1: Device ID address detection enabled. | R/W |
| b6 | — | Reserved | This bit is read as 0. The write value should be 0. | R/W |
| b7 | HOAE | Host Address Enable | 0: Host address detection disabled 1: Host address detection enabled. | R/W |

SARyE bit (Slave Address Register y Enable) (y = 0 to 2)

The SARyE bit enables or disables the received slave address and the slave address set in SARLy and SARUy.

When the SARyE bit is set to 1, the slave address set in SARLy and SARUy is enabled and is compared with the received slave address. When the SARyE bit is set to 0, the slave address set in SARLy and SARUy is disabled and is ignored even if it matches the received slave address.

GCAE bit (General Call Address Enable)

The GCAE bit specifies whether to ignore the general call address (0000 000b + 0 [W]: All 0) when it is received.

When the GCAE bit is set to 1, if the received slave address matches the general call address, the IIC recognizes the received slave address as the general call address independently of the slave addresses set in SARLy and SARUy (y = 0 to 2) and performs data receive operation. When the GCAE bit is set to 0, the received slave address is ignored even if it matches the general call address.

DIDE bit (Device ID Address Detection Enable)

The DIDE bit specifies whether to recognize and execute the device ID address when a device ID (1111 100b) is received in the first frame after a start condition or restart condition is detected.

When the DIDE bit is set to 1, if the received first frame matches the device ID, the IIC recognizes that the device ID address was received. When the next R/W# bit is 0 [W], the IIC recognizes the second and the subsequent frames as slave addresses and continues the receive operation. When the DIDE bit is set to 0, the IIC ignores the received first frame even if it matches the device ID address and recognizes the first frame as a normal slave address.

For details on the device ID address detection, see [section 29.7.3, Device ID Address Detection](#).

HOAE bit (Host Address Enable)

The HOAE bit specifies whether to ignore received host address (0001 000b) when the SMBS bit in ICMR3 is 1.

When the HOAE bit is set to 1 while the SMBS bit in ICMR3 is 1, if the received slave address matches the host address, the IIC recognizes the received slave address as the host address independently of the slave addresses set in SARLy and SARUy (y = 0 to 2) and performs the receive operation. When the SMBS bit in ICMR3 or the HOAE bit is set to 0, the received slave address is ignored even if it matches the host address.

29.2.8 I²C Bus Interrupt Enable Register (ICIER)

Address(es): IIC0.ICIER 4005 3007h, IIC1.ICIER 4005 3107h

| | | | | | | | |
|-----|------|-----|-------|------|------|------|-------|
| b7 | b6 | b5 | b4 | b3 | b2 | b1 | b0 |
| TIE | TEIE | RIE | NAKIE | SPIE | STIE | ALIE | TMOIE |

Value after reset: 0 0 0 0 0 0 0 0

| Bit | Symbol | Bit name | Description | R/W |
|-----|--------|----------------------------------------------------|----------------------------------------------------------------------------------------------------------------------------------|-----|
| b0 | TMOIE | Timeout Interrupt Request Enable | 0: Timeout interrupt (TMOIn) request disabled 1: Timeout interrupt (TMOIn) request enabled. | R/W |
| b1 | ALIE | Arbitration-Lost Interrupt Request Enable | 0: Arbitration-lost interrupt (ALIn) request disabled 1: Arbitration-lost interrupt (ALIn) request enabled. | R/W |
| b2 | STIE | Start Condition Detection Interrupt Request Enable | 0: Start condition detection interrupt (STIn) request disabled 1: Start condition detection interrupt (STIn) request enabled. | R/W |
| b3 | SPIE | Stop Condition Detection Interrupt Request Enable | 0: Stop condition detection interrupt (SPIn) request disabled 1: Stop condition detection interrupt (SPIn) request enabled. | R/W |
| b4 | NAKIE | NACK Reception Interrupt Request Enable | 0: NACK reception interrupt (NAKIn) request disabled 1: NACK reception interrupt (NAKIn) request enabled. | R/W |
| b5 | RIE | Receive Data Full Interrupt Request Enable | 0: Receive data full interrupt (IICn_RXI) request disabled 1: Receive data full interrupt (IICn_RXI) request enabled. | R/W |
| b6 | TEIE | Transmit End Interrupt Request Enable | 0: Transmit end interrupt (IICn_TEI) request disabled 1: Transmit end interrupt (IICn_TEI) request enabled. | R/W |
| b7 | TIE | Transmit Data Empty Interrupt Request Enable | 0: Transmit data empty interrupt (IICn_TXI) request disabled 1: Transmit data empty interrupt (IICn_TXI) request enabled. | R/W |

TMOIE bit (Timeout Interrupt Request Enable)

The TMOIE bit enables timeout interrupt (TMOIn) requests when the TMOF flag in ICSR2 is set to 1. A TMOI interrupt request is canceled by setting the TMOF flag or the TMOIE bit to 0.

ALIE bit (Arbitration-Lost Interrupt Request Enable)

The ALIE bit enables arbitration-lost interrupt (ALIn) requests when the AL flag in ICSR2 is set to 1. An ALI interrupt request is canceled by setting the AL flag or the ALIE bit to 0.

STIE bit (Start Condition Detection Interrupt Request Enable)

The STIE bit enables or disables start condition detection interrupt (STIn) requests when the START flag in ICSR2 is set to 1. An STI interrupt request is canceled by setting the START flag or the STIE bit to 0.

SPIE bit (Stop Condition Detection Interrupt Request Enable)

The SPIE bit enables or disables stop condition detection interrupt (SPIn) requests when the STOP flag in ICSR2 is set to 1. An SPI interrupt request is canceled by setting the STOP flag or the SPIE bit to 0.

NAKIE bit (NACK Reception Interrupt Request Enable)

The NAKIE bit enables or disables NACK reception interrupt (NAKIn) requests when the NACKF flag in ICSR2 is set to 1. An NAKI interrupt request is canceled by setting the NACKF flag or the NAKIE bit to 0.

RIE bit (Receive Data Full Interrupt Request Enable)

The RIE bit enables or disables receive data full interrupt (IICn_RXI) requests when the RDRF flag in ICSR2 is set to 1.

TEIE bit (Transmit End Interrupt Request Enable)

The TEIE bit enables or disables transmit end interrupt (IICn_TEI) requests when the TEND flag in ICSR2 is set to 1. An IICn_TEI interrupt request is canceled by setting the TEND flag or the TEIE bit to 0.

TIE bit (Transmit Data Empty Interrupt Request Enable)

The TIE bit enables or disables transmit data empty interrupt (IICn_TXI) requests when the TDRE flag in ICSR2 is set to 1.

29.2.9 I²C Bus Status Register 1 (ICSR1)

Address(es): IIC0.ICSR1 4005 3008h, IIC1.ICSR1 4005 3108h

| | b7 | b6 | b5 | b4 | b3 | b2 | b1 | b0 |
|--------------------|-----|----|-----|----|-----|------|------|------|
| | HOA | — | DID | — | GCA | AAS2 | AAS1 | AAS0 |
| Value after reset: | 0 | 0 | 0 | 0 | 0 | 0 | 0 | 0 |

| Bit | Symbol | Bit name | Description | R/W |
|-----|--------|-------------------------------------|---------------------------------------------------------------------------------------------------------------------------------------------------------------------------------------------------------------------------------|-------------|
| b0 | AAS0 | Slave Address 0 Detection Flag | 0: Slave address 0 not detected 1: Slave address 0 detected. | R/(W) *1 |
| b1 | AAS1 | Slave Address 1 Detection Flag | 0: Slave address 1 not detected 1: Slave address 1 detected. | R/(W) *1 |
| b2 | AAS2 | Slave Address 2 Detection Flag | 0: Slave address 2 not detected 1: Slave address 2 detected. | R/(W) *1 |
| b3 | GCA | General Call Address Detection Flag | 0: General call address not detected 1: General call address is detected. | R/(W) *1 |
| b4 | — | Reserved | This bit is read as 0. The write value should be 0. | R/W |
| b5 | DID | Device ID Address Detection Flag | 0: Device ID command not detected 1: Device ID command is detected. This bit is set to 1 when the first frame received immediately after a start condition is detected matches a value of (device ID (1111 100b) + 0[W]). | R/(W) *1 |
| b6 | — | Reserved | This bit is read as 0. The write value should be 0. | R/W |

| Bit | Symbol | Bit name | Description | R/W |
|-----|--------|-----------------------------|---------------------------------------------------------------------------------------------------------------------------------------------------------|-------------|
| b7 | HOA | Host Address Detection Flag | 0: Host address not detected 1: Host address detected. This bit is set to 1 when the received slave address matches the host address (0001 000b). | R/(W) *1 |

Note 1. Only 0 can be written to clear the flag.

AASy flag (Slave Address y Detection Flag) (y = 0 to 2)

The AASy flag indicates whether slave address y was detected.

[Setting conditions]

For 7-bit address format (SARUy.FS = 0):

- When the received slave address matches the SVA[6:0] value in SARLy with the SARyE bit in ICSEr set to 1 (slave address y detection enabled). This flag is set to 1 on the rising edge of the 9th SCL clock cycle in the frame.

For 10-bit address format (SARUy.FS = 1):

- When the received slave address matches a value of 11110b + SVA[1:0] in SARUy and the subsequent address matches the SARLy value with the SARyE bit in ICSEr set to 1 (slave address y detection enabled). This flag is set to 1 on the rising edge of the 9th SCL clock cycle in the frame.

[Clearing conditions]

- When 0 is written to the AASy bit after reading AASy = 1
- When a stop condition is detected
- When 1 is written to the IICRST bit in ICCR1 to initiate an IIC reset or an internal reset.

For 7-bit address format (SARUy.FS = 0):

- When the received slave address does not match the SVA[6:0] value in SARLy, with the SARyE bit in ICSEr set to 1 (slave address y detection enabled). This flag is set to 0 on the rising edge of the 9th SCL clock cycle in the frame.

For 10-bit address format (SARUy.FS = 1):

- When the received slave address does not match a value of 11110b + SVA[1:0] in SARUy, with the SARyE bit in ICSEr set to 1 (slave address y detection enabled). This flag is set to 0 on the rising edge of the 9th SCL clock cycle in the frame.
- When the received slave address matches a value of 11110b + SVA[1:0] in SARUy, and the subsequent address does not match the SARLy value with the SARyE bit in ICSEr set to 1 (slave address y detection enabled). This flag is set to 0 on the rising edge of the 9th SCL clock cycle in the frame.

GCA flag (General Call Address Detection Flag)

The GCA flag indicates whether the general call address was detected.

[Setting condition]

- When the received slave address matches the general call address 0000 000b + 0 [W], with the GCAE bit in ICSEr set to 1 (general call address detection is enabled). This flag is set to 1 on the rising edge of the 9th SCL clock cycle in the frame.

[Clearing conditions]

- When 0 is written to the GCA bit after reading GCA = 1
- When a stop condition is detected
- When the received slave address does not match the general call address 0000 000b + 0 [W], with the GCAE bit in ICSEr set to 1 (general call address detection is enabled). This flag is set to 0 on the rising edge of the 9th SCL clock cycle in the frame.
- When 1 is written to the IICRST bit in ICCR1 to initiate an IIC reset or an internal reset.

DID flag (Device ID Address Detection Flag)

The DID flag indicates whether the device ID address was detected.

[Setting condition]

- When the first frame received immediately after a start condition or restart condition is detected matches a value of (device ID (1111 100b) + 0 [W]), with the DIDE bit in IC SER set to 1 (device ID address detection is enabled). This flag is set to 1 on the rising edge of the 9th SCL clock cycle in the frame.

[Clearing conditions]

- When 0 is written to the DID bit after reading DID = 1
- When a stop condition is detected
- When the first frame received immediately after a start condition or restart condition is detected does not match a value of (device ID (1111 100b)) with the DIDE bit in IC SER set to 1 (device ID address detection is enabled). This flag is set to 0 at the rising edge of the 9th SCL clock cycle in the frame.
- When the first frame received immediately after a start condition or restart condition is detected matches a value of (device ID (1111 100b) + 0 [W]) and the second frame does not match any slave address from 0 to 2 with the DIDE bit in IC SER set to 1 (device ID address detection is enabled). This flag is set to 0 at the rising edge of the 9th SCL clock cycle in the frame.
- When 1 is written to the IICRST bit in ICCR1 to initiate an IIC reset or an internal reset.

HOA flag (Host Address Detection Flag)

The HOA flag indicates whether the host address was detected.

[Setting condition]

- When the received slave address matches the host address (0001 000b) with the HOAE bit in IC SER set to 1 (host address detection is enabled). The HOA flag is set to 1 at the rising edge of the 9th SCL clock cycle in the frame.

[Clearing conditions]

- When 0 is written to the HOA bit after reading HOA = 1
- When a stop condition is detected
- When the received slave address does not match the host address (0001 000b) with the HOAE bit in IC SER set to 1 (host address detection is enabled). The HOA flag is set to 0 at the rising edge of the 9th SCL clock cycle in the frame.
- When 1 is written to the IICRST bit in ICCR1 to initiate an IIC reset or an internal reset.

29.2.10 I²C Bus Status Register 2 (ICSR2)

Address(es): IIC0.ICSR2 4005 3009h, IIC1.ICSR2 4005 3109h

| | b7 | b6 | b5 | b4 | b3 | b2 | b1 | b0 |
|--------------------|------|------|------|-------|------|-------|----|------|
| | TDRE | TEND | RDRF | NACKF | STOP | START | AL | TMOF |
| Value after reset: | 0 | 0 | 0 | 0 | 0 | 0 | 0 | 0 |

| Bit | Symbol | Bit name | Description | R/W |
|-----|--------|--------------------------------|-----------------------------------------------------------------|-------------|
| b0 | TMOF | Timeout Detection Flag | 0: Timeout not detected 1: Timeout detected. | R/(W) *1 |
| b1 | AL | Arbitration-Lost Flag | 0: Arbitration not lost 1: Arbitration lost. | R/(W) *1 |
| b2 | START | Start Condition Detection Flag | 0: Start condition not detected 1: Start condition detected. | R/(W) *1 |

| Bit | Symbol | Bit name | Description | R/W |
|-----|--------|-------------------------------|------------------------------------------------------------------------|-------------|
| b3 | STOP | Stop Condition Detection Flag | 0: Stop condition not detected 1: Stop condition detected. | R/(W) *1 |
| b4 | NACKF | NACK Detection Flag | 0: NACK not detected 1: NACK detected. | R/(W) *1 |
| b5 | RDRF | Receive Data Full Flag | 0: ICDRR contains no receive data 1: ICDRR contains receive data. | R/(W) *1 |
| b6 | TEND | Transmit End Flag | 0: Data is being transmitted 1: Data transmitted. | R/(W) *1 |
| b7 | TDRE | Transmit Data Empty Flag | 0: ICDRT contains transmit data 1: ICDRT contains no transmit data. | R |

Note 1. Only 0 can be written to clear the flag.

TMOF flag (Timeout Detection Flag)

The TMOF flag is set to 1 when the IIC detects a timeout after the SCLn line state remains unchanged for the set period.

[Setting condition]

- When the SCLn line state remains unchanged for the period specified by the ICMR2.TMOH, TMOL, and TMOS bits while the ICFER.TMOE bit is 1 (the timeout function is enabled) in master mode, or in slave mode and the received slave address matches.

[Clearing conditions]

- When 0 is written to the TMOF bit after reading TMOF = 1
- When 1 is written to the IICRST bit in ICCR1 to initiate an IIC reset or an internal reset.

AL flag (Arbitration-Lost Flag)

The AL flag indicates that bus mastership is lost in arbitration because of a bus conflict or some other reason, when a start condition is issued, or an address and data are transmitted. The IIC monitors the level on the SDAn line during transmission. If the level on the line does not match the value of the bit being output, the IIC sets the AL flag to 1 to indicate that the bus is occupied by another device. The IIC can also set the AL flag to indicate the detection of arbitration loss during NACK transmission in master mode or during data transmission in slave mode.

[Setting conditions]

When master arbitration-lost detection is enabled (ICFER.MALE = 1):

- When the internal SDA output state does not match the SDAn line level on the rising edge of the SCL clock, except for the ACK period during data transmission in master transmit mode
- When a start condition is detected while the ST bit in ICCR2 is 1 (start condition issue requested) or the internal SDA output state does not match the SDAn line level
- When the ST bit in ICCR2 is set to 1 (start condition issue requested) with the BBSY flag in ICCR2 set to 1.

When NACK arbitration-lost detection is enabled (ICFER.NALE = 1):

- When the internal SDA output state does not match the SDAn line level on the rising edge of the SCL clock in the ACK period during NACK transmission in receive mode.

When slave arbitration-lost detection is enabled (ICFER.SALE = 1):

- When the internal SDA output state does not match the SDAn line level on the rising edge of the SCL clock, except for the ACK period during data transmission in slave transmit mode.

[Clearing conditions]

- When 0 is written to the AL flag after reading AL = 1
- When 1 is written to the IICRST bit in ICCR1 to initiate an IIC reset or an internal reset.

Table 29.4 Relationship between arbitration-lost generation sources and arbitration-lost enable functions

| ICFER | | | ICSR2 | Error | Arbitration-lost generation source |
|-------|------|------|-------|--------------------------------|---------------------------------------------------------------------------------------------------------------------------------|
| MALE | NALE | SALE | AL | | |
| 1 | x | x | 1 | Start condition issuance error | When internal SDA output state does not match SDA line level when a start condition is detected, while the ST bit in ICCR2 is 1 |
| | | | | | When ST in ICCR2 is set to 1 with BBSY in ICCR2 set to 1 |
| | | | 1 | Transmit data mismatch | When transmit data, including slave address does not match the bus state in master transmit mode |
| x | 1 | x | 1 | NACK transmission mismatch | When ACK is detected during transmission of NACK in master receive mode or slave receive mode |
| x | x | 1 | 1 | Transmit data mismatch | When transmit data does not match the bus state in slave transmit mode |

x: Don't care

START flag (Start Condition Detection Flag)

The START flag indicates whether a start or restart condition is detected.

[Setting condition]

- When a start or restart condition is detected.

[Clearing conditions]

- When 0 is written to the START flag after reading START = 1
- When a stop condition is detected
- When 1 is written to the IICRST bit in ICCR1 to initiate an IIC reset or an internal reset.

STOP flag (Stop Condition Detection Flag)

The STOP flag indicates whether a stop condition is detected.

[Setting condition]

- When a stop condition is detected.

[Clearing conditions]

- When 0 is written to the STOP flag after reading STOP = 1
- When 1 is written to the IICRST bit in ICCR1 to initiate an IIC reset or an internal reset.

NACKF flag (NACK Detection Flag)

The NACKF flag indicates whether a NACK was detected.

[Setting condition]

- When acknowledge is not received (NACK is received) from the receive device in transmit mode, with the NACKE bit in ICFER set to 1 (transfer suspension enabled).

[Clearing conditions]

- When 0 is written to the NACKF bit after reading NACKF = 1
- When 1 is written to the IICRST bit in ICCR1 to initiate an IIC reset or an internal reset.

Note: When the NACKF flag is set to 1, the IIC suspends data transmission or reception. Writing to ICDRT in transmit mode or reading from ICDRR in receive mode with the NACKF flag set to 1 does not enable data transmit or receive operation. To restart data transmission or reception, set the NACKF flag to 0.

RDRF flag (Receive Data Full Flag)

The RDRF flag indicates whether the IDCRR contains receive data.

[Setting conditions]

- When receive data is transferred from ICDRS to ICDRR. The RDRF flag is set to 1 on the rising edge of the 8th or 9th SCL clock cycle (selected by the RDRFS bit in ICMR3).
- When the received slave address matches, after a start condition or a restart condition is detected, with the TRS bit in ICCR2 set to 0.

[Clearing conditions]

- When 0 is written to the RDRF bit after reading RDRF = 1
- When data is read from ICDRR
- When 1 is written to the IICRST bit in ICCR1 to initiate an IIC reset or an internal reset.

TEND flag (Transmit End Flag)

The TEND flag indicates whether data is still being transmitted.

[Setting condition]

- On the rising edge of the 9th SCL clock cycle while the TDRE flag is 1.

[Clearing conditions]

- When 0 is written to the TEND bit after reading TEND = 1
- When data is written to ICDRT
- When a stop condition is detected
- When 1 is written to the IICRST bit in ICCR1 to initiate an IIC reset or an internal reset.

TDRE flag (Transmit Data Empty Flag)

The TDRE flag indicates whether the ICDRT contains transmit data.

[Setting conditions]

- When data is transferred from ICDRT to ICDRS and ICDRT becomes empty
- When the TRS bit in ICCR2 is set to 1
- When the received slave address matches while the TRS bit is 1.

[Clearing conditions]

- When data is written to ICDRT
- When the TRS bit in ICCR2 is set to 0
- When 1 is written to the IICRST bit in ICCR1 to initiate an IIC reset or an internal reset.

Note: When the NACKF flag is set to 1 while the NACK bit in ICFER is 1, the IIC suspends data transmission or reception. In this case, if the TDRE flag is 0 (next transmit data was written), data is transferred to the ICDRS register and the ICDRT register becomes empty on the rising edge of the 9th clock cycle, but the TDRE flag is not set to 1.

29.2.11 I²C Bus Wakeup Unit Register (ICWUR)

Address(es): IIC0.ICWUR 4005 3016h

| | | | | | | | | |
|--------------------|------|-----|-------|----|----|----|-------|---|
| b7 | b6 | b5 | b4 | b3 | b2 | b1 | b0 | |
| WUE | WUIE | WUF | WUACK | — | — | — | WUAFA | |
| Value after reset: | 0 | 0 | 0 | 1 | 0 | 0 | 0 | 0 |

| Bit | Symbol | Bit name | Description | R/W |
|----------|--------|-------------------------------------------|-----------------------------------------------------------------------------------------------------------|-----|
| b0 | WUAFA | Wakeup Analog Filter Additional Selection | 0: Do not add the wakeup analog filter 1: Add the wakeup analog filter. | R/W |
| b3 to b1 | — | Reserved | These bits are read as 0. The write value should be 0. | R/W |
| b4 | WUACK | ACK bit for Wakeup Mode | Choice of four response modes in combination of IICR1.IICRST and WUACK. See Table 29.5 . | R/W |
| b5 | WUF | Wakeup Event Occurrence Flag | 0: Slave address not matching during wakeup function 1: Slave address matching during wakeup function. | R/W |
| b6 | WUIE | Wakeup Interrupt Request Enable | 0: Wakeup Interrupt Request (IIC0_WUI) disabled 1: Wakeup Interrupt Request (IIC0_WUI) enabled. | R/W |
| b7 | WUE | Wakeup Function Enable | 0: Wakeup function disabled 1: Wakeup function enabled. | R/W |

Table 29.5 Wakeup mode

| IICRST | WUACK | Operation mode | Description |
|--------|-------|----------------------|-------------------------------------------------------------------------------------------------------------------------------------------------------------|
| 0 | 0 | Normal wakeup mode 1 | ACK response at 9 th SCL and SCL low hold after at 9 th SCL |
| 0 | 1 | Normal wakeup mode 2 | No ACK response immediately and SCL low hold between 8 th and 9 th SCL. Release SCL low hold and ACK response at 9 th SCL. |
| 1 | 0 | Command return mode | ACK response at 9 th SCL and not SCL low hold |
| 1 | 1 | EEP response mode | NACK response at 9 th SCL and not SCL low hold |

WUF flag (Wakeup Event Occurrence Flag)

The WUF flag indicates whether the slave address is matching during wakeup.

[Setting condition]

- When PCLKB is supplied after slave-address match in the first 8th SCL low during wakeup mode.

[Clearing conditions]

- When 0 is written to the WUF bit after reading WUF = 1
- When ICE = 0 and IICRST = 1.

29.2.12 I²C Bus Wakeup Unit Register 2 (ICWUR2)

Address(es): IIC0.ICWUR2 4005 3017h

| | | | | | | | |
|--------------------|----|----|----|----|-----------|------------|-----------|
| b7 | b6 | b5 | b4 | b3 | b2 | b1 | b0 |
| — | — | — | — | — | WUSY F | WUAS YF | WUSE N |
| Value after reset: | 1 | 1 | 1 | 1 | 1 | 0 | 1 |

| Bit | Symbol | Bit name | Description | R/W |
|----------|--------|-----------------------------------------------------|--------------------------------------------------------------------------------|-----|
| b0 | WUSEN | Wake-up Function Synchronous Enable | 0: IIC asynchronous operation enabled 1: IIC synchronous operation enabled. | R/W |
| b1 | WUASYF | Wake-up Function Asynchronous Operation Status Flag | 0: IIC synchronous operation enabled 1: IIC asynchronous operation enabled. | R |
| b2 | WUSYF | Wake-up Function Synchronous Operation Status Flag | 0: IIC asynchronous operation enabled 1: IIC synchronous operation enabled. | R |
| b7 to b3 | — | Reserved | These bits are read as 1. The write value should be 1. | R/W |

WUSEN bit (Wake-up Function Synchronous Enable)

The WUSEN bit is used in combination with the WUASYF flag (or WUSYF flag) to switch between PCLKB synchronous and asynchronous operation, when a wakeup function is enabled (ICWUR.WUE = 1).

The PCLKB operation switches from synchronous to asynchronous operation:

- When the ICCR2.BBSY flag is 0 (bus free state) if 0 is written to the WUSEN bit while the WUASYF flag is 0. The reception occurs independently of the operation of PCLKB (with PCLKB stopped) after it switches to the PCLKB asynchronous operation, on wakeup event detection.

The PCLKB operation switches from asynchronous to synchronous operation:

- When 1 is written to the WUSEN bit with the WUASYF flag at 1, when a wakeup event is detected. After writing 1, the WUASYF flag immediately becomes 0.
- When a stop condition is detected with a wakeup event undetected.

WUASYF flag (Wake-up Function Asynchronous Operation Status Flag)

The WUASYF flag can place the IIC in PCLKB asynchronous operation when the wakeup function is enabled (ICWUR.WUE = 1).

[Setting condition]

- When the ICCR2.BBSY flag is 0, and WUSEN bit is set to 0, with the ICWUR.WUE bit set to 1.

[Clearing conditions]

- When 1 is written to the WUSEN bit after detecting a wakeup event with ICWUR.WUE bit set to 1
- When a stop condition is detected with WUSEN bit set to 1 before detecting the wakeup event with WUASYF flag set to 1 and ICWUR.WUE bit set to 1
- When 1 is written to the WUSEN bit with the WUASYF flag set to 1, and a wakeup event is detected with ICWUR.WUE set to 1
- When ICCR1.ICE = 0 and ICCRST = 1 (ICC reset)
- When ICWUR.WUE = 0.

WUSYF flag (Wake-up Function Synchronous Operation Status Flag)

The WUSYF flag can place the IIC in PCLKB synchronous operation when the wakeup function is enabled (ICWUR.WUE = 1). When this flag is used, the WUASYF flag is reserved.

[Setting conditions]

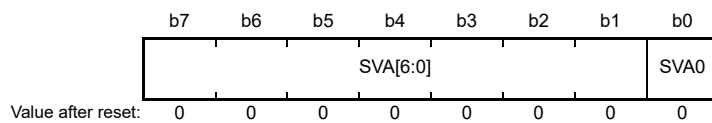
- When 1 is written to the WUSEN bit after detecting a wakeup event with ICWUR.WUE bit set to 1, and WUSYF flag set to 0
- When a stop condition is detected with the WUSEN bit set to 1, before detecting a wakeup event with the WUSYF flag set to 0 and the ICWUR.WUE bit set to 1
- When ICCR1.ICE = 0 and ICCRST = 1 (ICC reset)
- When ICWUR.WUE = 0.

[Clearing condition]

- When the ICCR2.BBSY flag is 0 with the ICWUR.WUE bit set to 1, after writing 0 to the WUSEN bit.

29.2.13 Slave Address Register Ly (SARLy) (y = 0 to 2)

Address(es): IIC0.SARL0 4005 300Ah, IIC1.SARL0 4005 310Ah,
IIC0.SARL1 4005 300Ch, IIC1.SARL1 4005 310Ch,
IIC0.SARL2 4005 300Eh, IIC1.SARL2 4005 310Eh



| Bit | Symbol | Bit name | Description | R/W |
|----------|----------|-----------------------------------------|-----------------------|-----|
| b0 | SVA0 | 10-Bit Address LSB | Slave address setting | R/W |
| b7 to b1 | SVA[6:0] | 7-Bit Address/10-Bit Address Lower Bits | Slave address setting | R/W |

SVA0 bit (10-Bit Address LSB)

When the 10-bit address format is selected (SARUy.FS = 1), the SVA0 bit functions as the LSB of a 10-bit address and is combined with the SVA[6:0] bits to form the lower 8 bits of a 10-bit address.

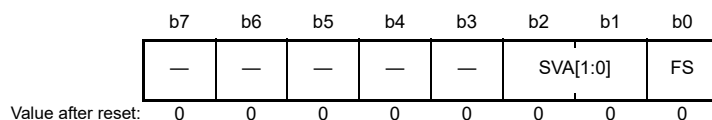
This bit is valid when the SARyE bit in ICSEr is set to 1 (SARLy and SARUy enabled) and the SARUy.FS bit is 1. When the SARUy.FS bit or SARyE bit is 0, the setting in this bit is ignored.

SVA[6:0] bits (7-Bit Address/10-Bit Address Lower Bits)

When the 7-bit address format is selected (SARUy.FS = 0), the SVA[6:0] bits function as a 7-bit address. When the 10-bit address format is selected (SARUy.FS = 1), these bits combined with the SVA0 bit to form the lower 8 bits of a 10-bit address. When the SARyE bit in ICSEr is 0, the setting of these bits is ignored.

29.2.14 Slave Address Register Uy (SARUy) (y = 0 to 2)

Address(es): IIC0.SARU0 4005 300Bh, IIC1.SARU0 4005 310Bh,
IIC0.SARU1 4005 300Dh, IIC1.SARU1 4005 310Dh,
IIC0.SARU2 4005 300Fh, IIC1.SARU2 4005 310Fh



| Bit | Symbol | Bit name | Description | R/W |
|----------|----------|------------------------------------|------------------------------------------------------------------------|-----|
| b0 | FS | 7-Bit/10-Bit Address Format Select | 0: 7-bit address format selected 1: 10-bit address format selected. | R/W |
| b2, b1 | SVA[1:0] | 10-Bit Address Upper Bits | Slave address setting | R/W |
| b7 to b3 | — | Reserved | These bits are read as 0. The write value should be 0. | R/W |

FS bit (7-Bit/10-Bit Address Format Select)

The FS bit selects the 7-bit address or 10-bit address for the slave address y (in SARLy and SARUy).

When the SARyE bit in ICSEr is set to 1 (SARLy and SARUy enabled) and the SARUy.FS bit is 0, the 7-bit address format is selected for slave address y, the SVA[6:0] setting in SARLy is valid, and the settings of the SVA[1:0] bits and the SVA0 bit in SARLy are ignored.

When the SARyE bit in ICSEr is set to 1 (SARLy and SARUy enabled) and the SARUy.FS bit is 1, the 10-bit address format is selected for slave address y and the settings of the SVA[1:0] bits and SARLy are valid.

While the SARyE bit in ICSEr is 0 (SARLy and SARUy disabled), the setting of the SARUy.FS bit is invalid.

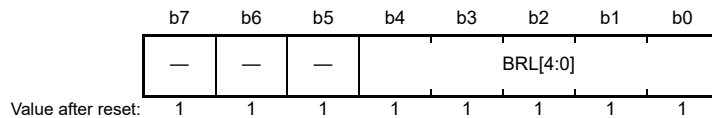
SVA[1:0] bits (10-Bit Address Upper Bits)

When the 10-bit address format is selected (FS = 1), the SVA[1:0] bits function as the upper 2 bits of a 10-bit address.

When the SARyE bit in ICSEr is set to 1 (SARLy and SARUy enabled) and the SARUy.FS bit is 1, these bits are valid. When the SARUy.FS bit or SARyE bit is 0, the setting of these bits is ignored.

29.2.15 I²C Bus Bit Rate Low-Level Register (ICBRL)

Address(es): IIC0.ICBRL 4005 3010h, IIC1.ICBRL 4005 3110h



| Bit | Symbol | Bit name | Description | R/W |
|----------|----------|---------------------------|--------------------------------------------------------|-----|
| b4 to b0 | BRL[4:0] | Bit Rate Low-Level Period | Low-level period of SCL clock | R/W |
| b7 to b5 | — | Reserved | These bits are read as 1. The write value should be 1. | R/W |

BRL[4:0] bits (Bit Rate Low-Level Period)

The BRL[4:0] bits set the low-level period of the SCL clock. ICBRL counts the low-level period with the internal reference clock source (IIC ϕ) specified in the CKS[2:0] bits in ICMR1. ICBRL also generates the data setup time for automatic SCL low-hold operation (see [section 29.9, Automatic Low-Hold Function for SCL](#)). When the IIC is used only in slave mode, this register must be set to a value longer than the data setup time*1.

If the digital noise filter is enabled (the NFE bit in ICFER is 1), set the BRL[4:0] bits to a value at least one greater than the number of stages in the noise filter. For details on the number of stages, see the description of the ICMR3.NF[1:0] bits.

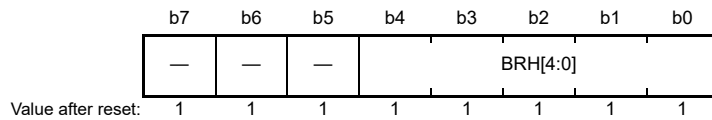
Note 1. Data setup time ($t_{\text{SU}}: \text{DAT}$)

250 ns for up to 100 kbps: Standard-mode (Sm)

100 ns for up to 400 kbps: Fast-mode (Fm)

29.2.16 I²C Bus Bit Rate High-Level Register (ICBRH)

Address(es): IIC0.ICBRH 4005 3011h, IIC1.ICBRH 4005 3111h



| Bit | Symbol | Bit name | Description | R/W |
|----------|----------|----------------------------|--------------------------------------------------------|-----|
| b4 to b0 | BRH[4:0] | Bit Rate High-Level Period | High-level period of SCL clock | R/W |
| b7 to b5 | — | Reserved | These bits are read as 1. The write value should be 1. | R/W |

BRH[4:0] bits Bit Rate High-Level Period

The BRH[4:0] bits set the high-level period of the SCL clock. BRH[4:0] bits are valid in master mode. If the IIC is used only in slave mode, do not set the BRH[4:0] bits.

ICBRH counts the high-level period with the internal reference clock source (IIC ϕ) specified by the CKS[2:0] bits in ICMR1.

If the digital noise filter is enabled (the NFE bit in ICFER is 1), set these bits to a value at least one greater than the number of stages in the noise filter. For the number of stages in the noise filter, see the description of the ICMR3.NF[1:0] bits.

The IIC transfer rate and the SCL clock duty are calculated using the following expression:

- 1) ICFER.SCLE = 0
 Transfer rate = $1/\{[(BRH + 1) + (BRL + 1)]/IIC\phi + tr + tf\}$
 Duty cycle = $\{tr + [(BRH + 1)/IIC\phi]\} / \{tr + tf + [(BRH + 1) + (BRL + 1)]/IIC\phi\}$
- 2) ICFER.SCLE = 1 and ICFER.NFE = 0 and CKS[2:0] = 000b (IIC ϕ = PCLKB)
 Transfer rate = $1/\{[(BRH + 3) + (BRL + 3)]/IIC\phi + tr + tf\}$
 Duty cycle = $\{tr + [(BRH + 3)/IIC\phi]\} / \{tr + tf + [(BRH + 3) + (BRL + 3)]/IIC\phi\}$
- 3) ICFER.SCLE = 1 and ICFER.NFE = 1 and CKS[2:0] = 000b (IIC ϕ = PCLKB)
 Transfer rate = $1/\{[(BRH + 3 + nf^3) + (BRL + 3 + nf)]/IIC\phi + tr + tf\}$
 Duty cycle = $\{tr + [(BRH + 3 + nf)/IIC\phi]\} / \{tr + tf + [(BRH + 3 + nf) + (BRL + 3 + nf)]/IIC\phi\}$
- 4) ICFER.SCLE = 1 and ICFER.NFE = 0 and CKS[2:0] \neq 000b
 Transfer rate = $1/\{[(BRH + 2) + (BRL + 2)]/IIC\phi + tr + tf\}$
 Duty cycle = $\{tr + [(BRH + 2)/IIC\phi]\} / \{tr + tf + [(BRH + 2) + (BRL + 2)]/IIC\phi\}$
- 5) ICFER.SCLE = 1 and ICFER.NFE = 1 and CKS[2:0] \neq 000b
 Transfer rate = $1/\{[(BRH + 2 + nf) + (BRL + 2 + nf)]/IIC\phi + tr + tf\}$
 Duty cycle = $\{tr + [(BRH + 2 + nf)/IIC\phi]\} / \{tr + tf + [(BRH + 2 + nf) + (BRL + 2 + nf)]/IIC\phi\}$

Note 1. IIC ϕ = PCLKB \times Division ratio.

Note 2. The SCLn line rising time [tr] and SCLn line falling time [tf] depend on the total bus line capacitance [Cb] and the pull-up resistor [Rp]. For details, see the I²C bus standard from NXP Semiconductors.

Note 3. nf = Number of digital noise filter stages selected in the ICMR3.NF bits.

Table 29.6 Example of ICBRH/ICBRL settings for transfer rate when SCLE = 0

| Transfer rate (kbps) | CKS[2:0] | BRH[4:0] (ICBRH) | BRL[4:0] (ICBRL) | PCLKB[MHz] | NF[1:0] | Computation expression |
|----------------------|----------|---------------------|---------------------|------------|---------|------------------------|
| 100 | 011 | 15 (EFh) | 18 (F2h) | 32 | - | 1) |
| 400 | 001 | 9 (E9h) | 20 (F4h) | 32 | - | 1) |

Table 29.7 Example of ICBRH/ICBRL settings for transfer rate when SCLE = 1 and NFE = 0

| Transfer rate (kbps) | CKS[2:0] | BRH[4:0] (ICBRH) | BRL[4:0] (ICBRL) | PCLKB[MHz] | NF[1:0] | Computation expression |
|----------------------|----------|---------------------|---------------------|------------|---------|------------------------|
| 100 | 011 | 14 (EEh) | 17 (F1h) | 32 | - | 4) |
| 400 | 001 | 8 (E8h) | 19 (F3h) | 32 | - | 4) |

Table 29.8 Example of ICBRH/ICBRL settings for transfer rate when SCLE = 1 and NFE = 1

| Transfer rate (kbps) | CKS[2:0] | BRH[4:0] (ICBRH) | BRL[4:0] (ICBRL) | PCLKB[MHz] | NF[1:0] | Computation expression |
|----------------------|----------|---------------------|---------------------|------------|---------|------------------------|
| 100 | 011 | 12 (ECh) | 15 (EFh) | 32 | 01b | 5) |
| 400 | 001 | 6 (E6h) | 17 (F1h) | 32 | 01b | 5) |

Note: SCLn line rising time (tr): ≤ 100 kbps, [Sm]: 1000 ns, ≤ 400 kbps, [Fm]: 300 ns
 SCLn line falling time (tf): ≤ 400 kbps, [Sm/Fm]: 300 ns

29.2.17 I²C Bus Transmit Data Register (ICDRT)

Address(es): IIC0.ICDRT 4005 3012h, IIC1.ICDRT 4005 3112h



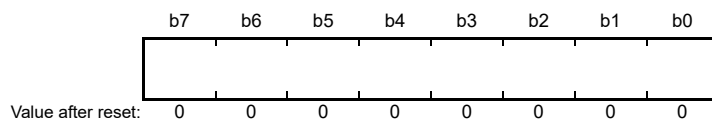
When ICDRT detects space in the I²C Bus Shift Register (ICDRS), it transfers the transmit data that is written to ICDRT to ICDRS and starts transmitting data in transmit mode.

The double-buffer structure of ICDRT and ICDRS allows continuous transmit operation if the next transmit data is written to ICDRT while the ICDRS data is being transmitted.

ICDRT can always be read and written. Write transmit data to ICDRT once when a transmit data empty interrupt (IICn_TXI) request is generated.

29.2.18 I²C Bus Receive Data Register (ICDRR)

Address(es): IIC0.ICDRR 4005 3013h, IIC1.ICDRR 4005 3113h

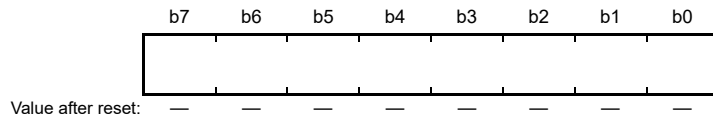


When 1 byte of data is received, the received data is transferred from the I²C Bus Shift register (ICDRS) to ICDRR to enable the next data to be received.

The double-buffer structure of ICDRS and ICDRR allows continuous receive operation if the received data is read from ICDRR while ICDRS is receiving data. ICDRR cannot be written. Read data from ICDRR once when a receive data full interrupt (IICn_RXI) request is generated.

If ICDRR receives the next receive data before the current data is read from ICDRR while the RDRF flag in ICSR2 is 1, the IIC automatically holds the SCL clock low for 1 cycle before the RDRF flag is set to 1 again.

29.2.19 I²C Bus Shift Register (ICDRS)



ICDRS is an 8-bit shift register to transmit and receive data.

During transmission, transmit data is transferred from ICDRT to ICDRS and is sent from the SDAn pin. During reception, data is transferred from ICDRS to ICDRR after 1 byte of data is received. ICDRS cannot be accessed directly.

29.3 Operation

29.3.1 Communication Data Format

The I²C bus format consists of 8-bit data and 1-bit acknowledge. The frame following a start condition or restart condition is an address frame that specifies a slave device with which the master device communicates. The specified slave is valid until a new slave is specified or a stop condition is issued.

Figure 29.3 shows the I²C bus format and Figure 29.4 shows the I²C bus timing.

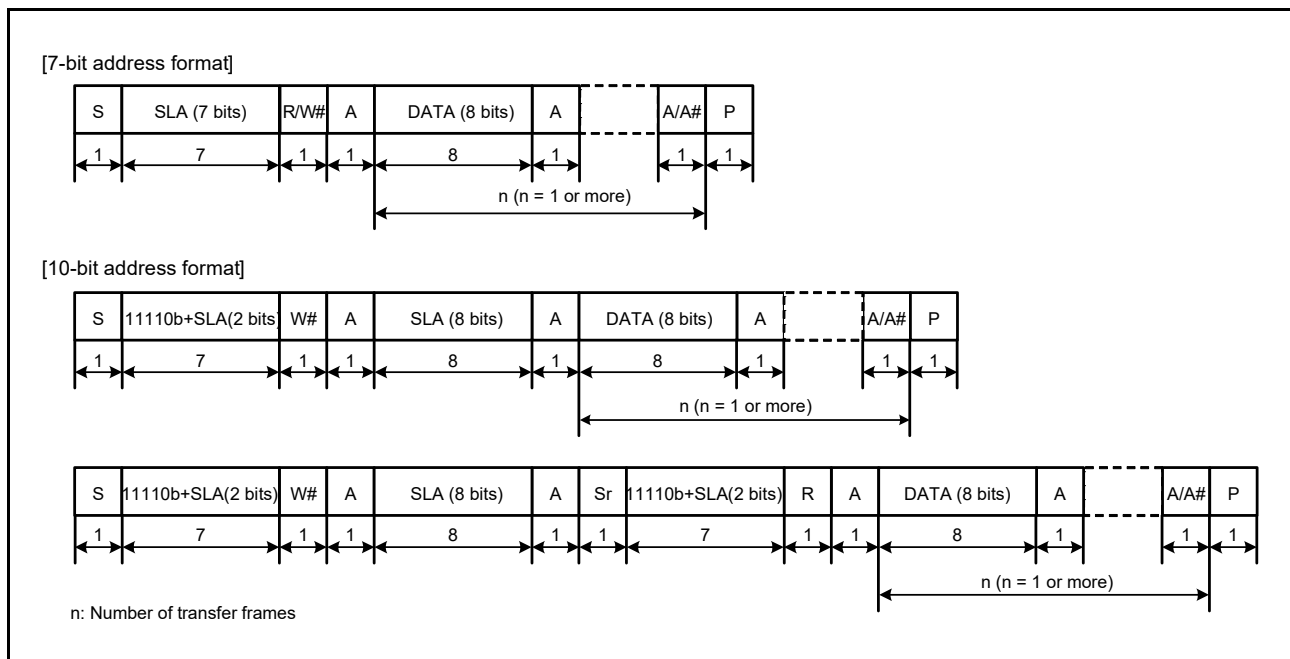


Figure 29.3 I²C bus format

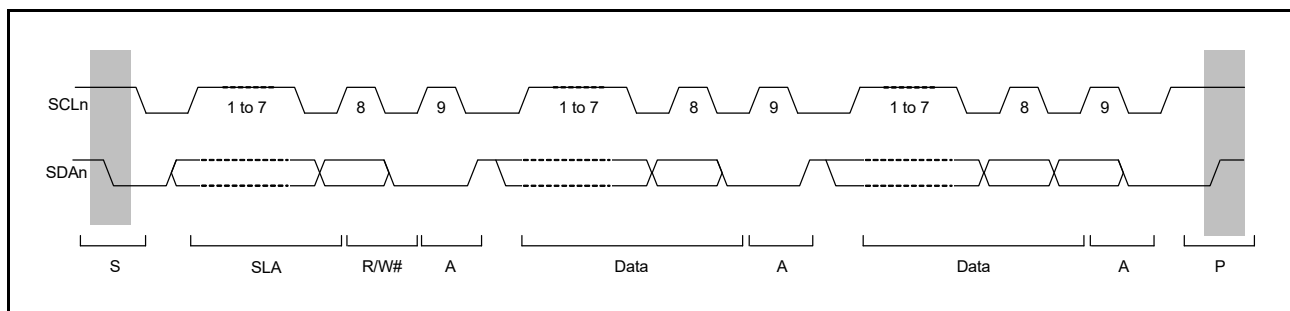


Figure 29.4 I²C bus timing (SLA = 7 bits)

- S: Start condition. The master device drives the SDAn line low from high while the SCLn line is high.
- SLA: Slave address, by which the master device selects a slave device
- R/W#: Indicates the direction of data transfer: from the slave device to the master device when R/W# is 1, or from the master device to the slave device when R/W# is 0
- A: Acknowledge. The receive device drives the SDAn line low. In master transmit mode, the slave device returns acknowledge. In master receive mode, the master device returns acknowledge.
- A#: Not Acknowledge. The receive device drives the SDAn line high.
- Sr: Restart condition. The master device drives the SDAn line low from high after the setup time elapses with the SCLn line high.
- DATA: Transmitted or received data
- P: Stop condition. The master device drives the SDAn line high from low while the SCLn line is high.

29.3.2 Initial Settings

Before starting data transmission and reception, initialize the IIC using the procedure shown in [Figure 29.5](#).

1. Set the ICCR1.ICE bit set to 0 to set the SCLn and SDAn pins to the inactive state.
2. Set the ICCR1.IICRST bit to 1 to initiate IIC reset.
3. Set the ICCR1.ICE bit to 1 to initiate internal reset.
4. Set the SARLy, SARUy, ICSEr, ICMR1, ICBRH, and ICBRL registers (y = 0 to 2), and set the other registers as required. For initial settings of the IIC, see [Figure 29.5](#).
5. When the required register settings are complete, set the ICCR1.IICRST bit to 0 to release the IIC reset.

Note: This procedure is not required if the IIC initialization is already complete.

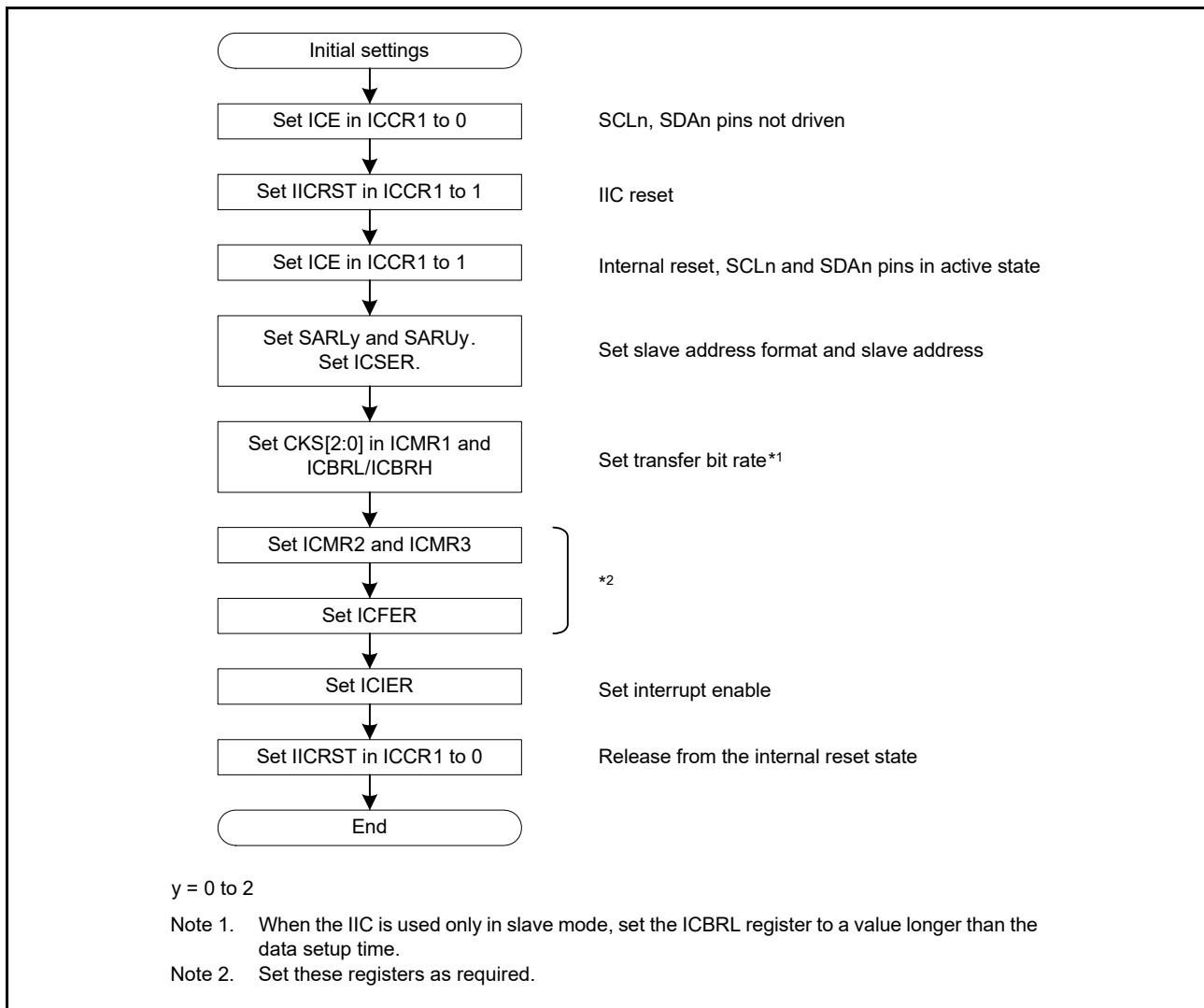


Figure 29.5 Example of IIC initialization flow

29.3.3 Master Transmit Operation

In master transmit operation, the IIC outputs the SCL clock and transmit data signals as the master device, and the slave device returns acknowledgments. [Figure 29.6](#) shows an example of master transmission. [Figure 29.7](#) to [Figure 29.9](#) show the timing of operations in master transmission.

To set up and perform master transmission:

1. Initialize the IIC using the procedure described in [section 29.3.2, Initial Settings](#).
2. Read the BBSY flag in ICCR2 to check that the bus is open, then set the ST bit in ICCR2 to 1 (start condition request). On receiving the request, the IIC issues a start condition. At the same time, the BBSY flag and the START flag in ICSR2 are automatically set to 1, and the ST bit is automatically set to 0. If the start condition is detected and the internal levels for the SDA output state and the levels on the SDAn line match while the ST bit is 1, the IIC recognizes that the start condition requested by the ST bit has successfully completed, and the MST and TRS bits in ICCR2 automatically set to 1, placing the IIC in master transmit mode. The TDRE flag in ICSR2 is also automatically set to 1 in response to setting of the TRS bit to 1.
3. Check that the TDRE flag in ICSR2 is 1, then write the value for transmission (the slave address and the R/W# bit) to ICDRT. When the transmit data is written to ICDRT, the TDRE flag is automatically set to 0, the data is transferred from ICDRT to ICDRS, and the TDRE flag again sets to 1. After the byte containing the slave address and R/W# bit is transmitted, the value of the TRS bit automatically updates to select master transmit or master receive mode according to the value of the transmitted R/W# bit. If the value of the R/W# bit was 0, the IIC

continues in master transmit mode.

If the ICSR2.NACKF flag is 1, indicating that no slave device recognized the address or there was an error in communications, write 1 to the ICCR2.SP bit to issue a stop condition.

To transmit data with an address in the 10-bit format, start by writing 1111 0b, the 2 upper bits of the slave address, and W to ICDRT as the first address transmission. Then, as the second address transmission, write the 8 lower bits of the slave address to ICDRT.

4. After confirming that the TDRE flag in ICSR2 is 1, write the data for transmission to the ICDRT register. The IIC automatically holds the SCLn line low until the transmit data is ready or a stop condition is issued.
5. After all bytes of transmit data are written to the ICDRT register, wait until the value of the TEND flag in ICSR2 returns to 1, then set the SP bit in ICCR2 to 1 (stop condition requested). On receiving a stop condition request, the IIC issues the stop condition. Regarding issuing a stop condition, see [section 29.11.3, Issuing a Stop Condition](#).
6. On detecting the stop condition, the IIC automatically sets the MST and TRS bits in ICCR2 to 00b and enters slave receive mode. In addition, the IIC automatically sets the TDRE and TEND flags to 0, and sets the STOP flag in ICSR2 to 1.
7. After checking that the ICSR2.STOP flag is 1, set the ICSR2.NACKF and STOP flags to 0 for the next transfer operation.

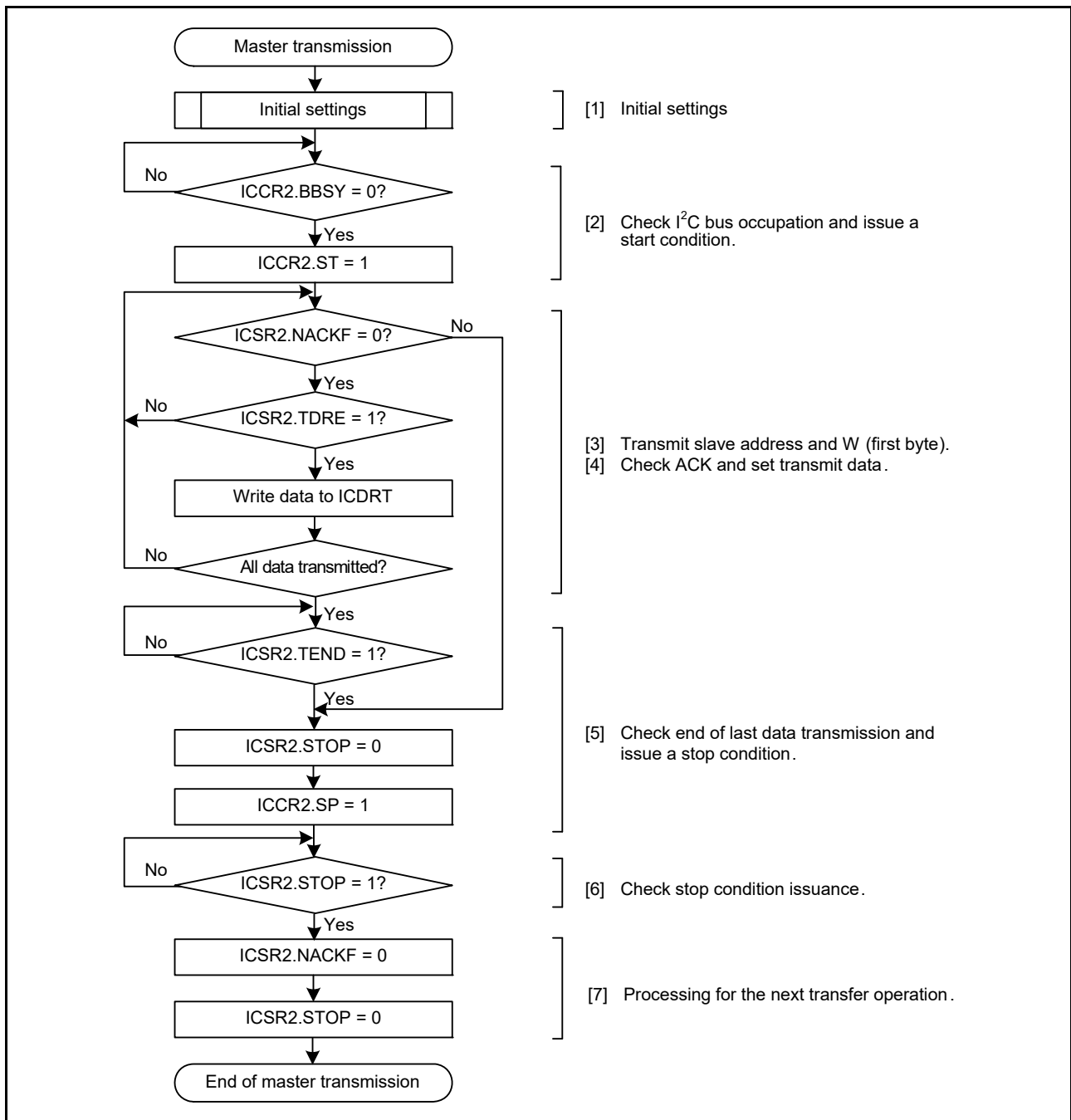


Figure 29.6 Example of master transmission flow

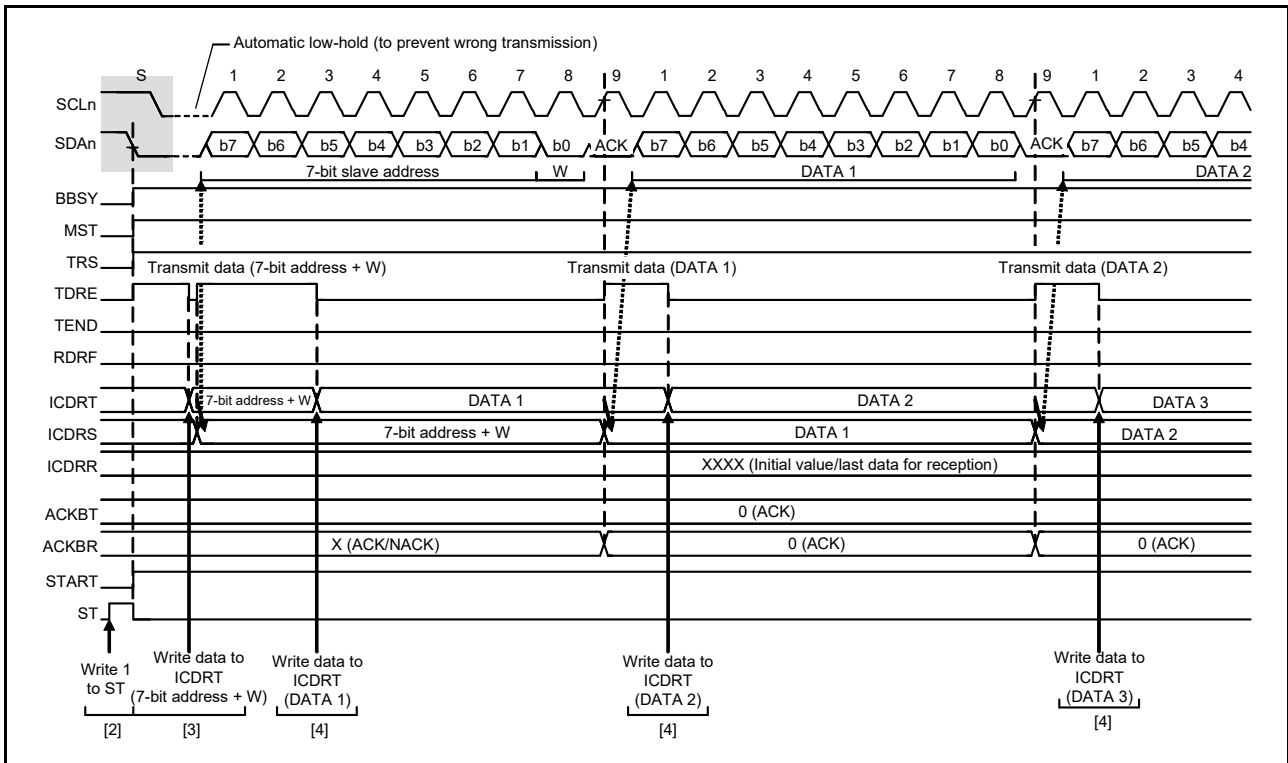


Figure 29.7 Master transmit operation timing (1) (7-bit address format)

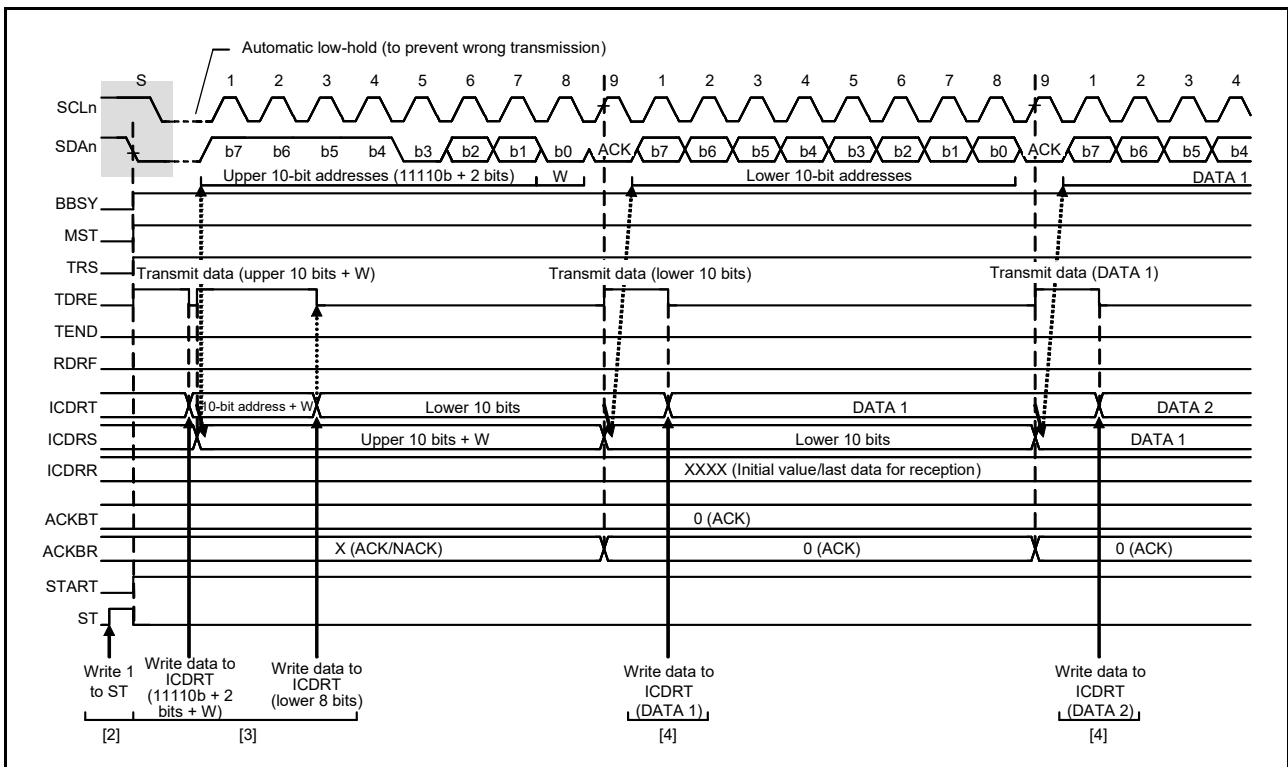


Figure 29.8 Master transmit operation timing (2) (10-bit address format)

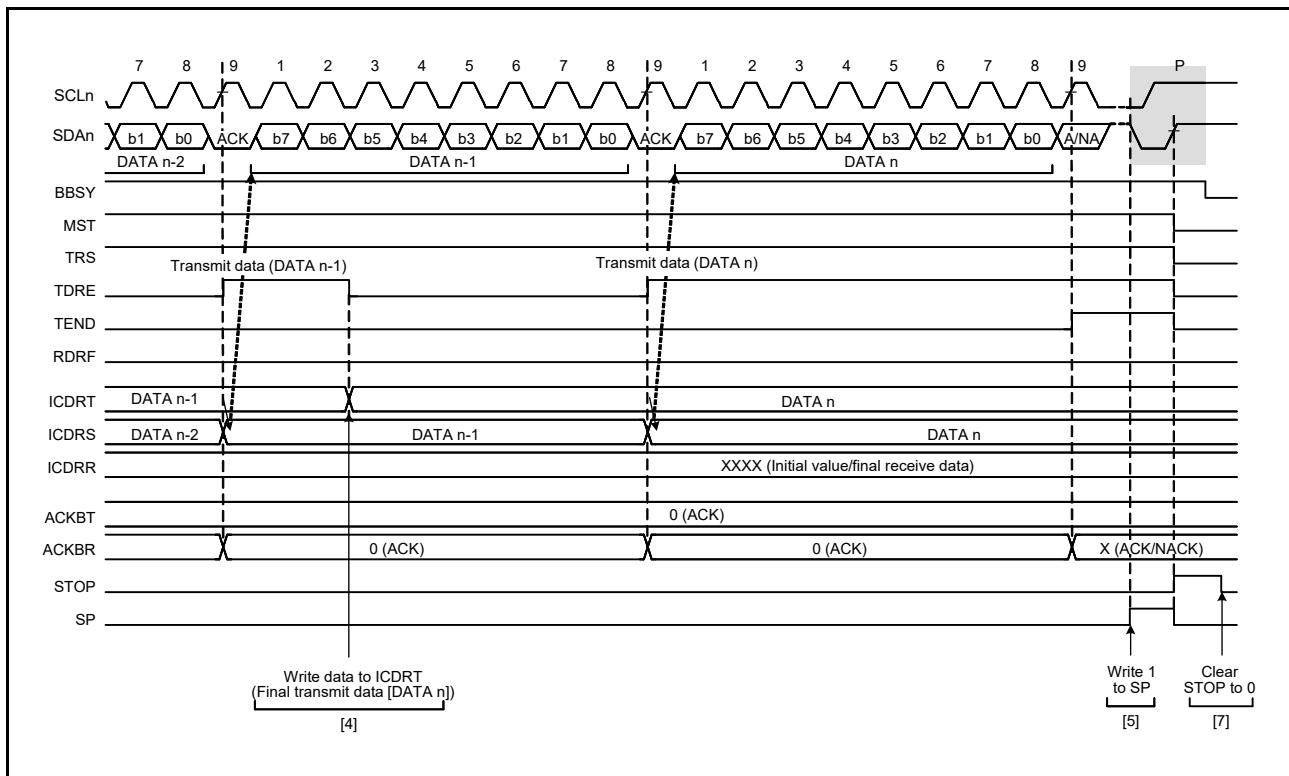


Figure 29.9 Master transmit operation timing (3)

29.3.4 Master Receive Operation

In master receive operation, the IIC as a master device outputs the SCL clock, receives data from the slave device, and returns acknowledgments. Because the IIC must start by sending a slave address to the associated slave device, the address part of the procedure is performed in master transmit mode, and the subsequent steps are in master receive mode.

Figure 29.10 and Figure 29.11 show examples of master reception (7-bit address format). Figure 29.12 to Figure 29.14 show the timing of operations in master reception.

To set up and perform master reception:

1. Initialize the IIC using the procedure in [section 29.3.2, Initial Settings](#).
2. Read the BBSY flag in ICCR2 to check that the bus is open, then set the ST bit in ICCR2 to 1 (start condition issuance request). On receiving the request, the IIC issues a start condition. When the IIC detects the start condition, the BBSY flag and the START flag in ICSR2 automatically set to 1 and the ST bit is automatically set to 0. If the start condition is detected and the levels for the SDA output and the levels on the SDA_n line match while the ST bit is 1, the IIC recognizes that the start condition issue is successful as requested by the ST bit, and the MST and TRS bits in ICCR2 automatically set to 1, placing the IIC in master transmit mode. The TDRE flag in ICSR2 is also automatically set to 1 in response to setting of the TRS bit to 1.
3. Check that the TDRE flag in ICSR2 is 1, then write the value for transmission (the first byte indicates the slave address and value of the R/W# bit) to ICDRT. When the transmit data is written to ICDRT, the TDRE flag is automatically set to 0, the data is transferred from ICDRT to ICDRS, and the TDRE flag is again set to 1. When the byte containing the slave address and R/W# bit is transmitted, the value of the ICCR2.TRS bit automatically updates to select transmit or receive mode according to the value of the transmitted R/W# bit. If the value of the R/W# bit is 1, the TRS bit is set to 0 on the rising edge of the 9th cycle of SCL clock, placing the IIC in master receive mode. The TDRE flag is set to 0 and the ICSR2.RDRF flag is automatically set to 1.

If the ICSR2.NACKF flag is 1, indicating that no slave device recognized the address or that there is an error in communications, write 1 to the ICCR2.SP bit to issue a stop condition.

For master reception from a device with a 10-bit address, start by using master transmission to issue the 10-bit address, then issue a restart condition. Transmitting 11110b, the two upper bits of the slave address, and the R bit to place the IIC in master receive mode.

4. Dummy read ICDRR after confirming that the RDRF flag in ICSR2 is 1. Doing so causes the IIC to start output of the SCL clock and start data reception.
5. After 1 byte of data is received, the RDRF flag in ICSR2 is set to 1 on the rising edge of the 8th or 9th cycle of SCL clock (the clock signal) as selected by the RDRFS bit in ICMR3. Reading ICDRR produces the received data and automatically sets the RDRF flag to 0. The value of the acknowledgment field received during the 9th cycle of the SCL clock is returned as the value set in the ICMR3.ACKBT bit. If the next byte to be received is the next to last byte, set the ICMR3.WAIT bit to 1 for wait insertion before reading the ICDRR, containing the second byte from the last. In addition to enabling NACK output, even when interrupts or other operations result in delays in setting the ICMR3.ACKBT bit to 1 (NACK) in step (6), this fixes the SCLn line to low on the rising edge of the 9th clock cycle in reception of the last byte, which enables the issue of a stop condition.
6. When the ICMR3.RDRFS bit is 0 and the slave device must be notified that it should end transfer for data reception after transfer of the next and final byte, set the ICMR3.ACKBT bit to 1 (NACK).
7. After reading the second-to-last byte from the ICDRR register, if the value of the ICSR2.RDRF flag is 1, write 1 to the SP bit in ICCR2 (to request stop condition), then read the last byte from ICDRR. When ICDRR is read, the IIC is released from the wait state and issues the stop condition after low-level output in the 9th clock cycle is complete or the SCLn line is released from the low-hold state.
8. On detecting the stop condition, the IIC automatically sets the MST and TRS bits in ICCR2 to 00b and enters slave receive mode. Additionally, detection of the stop condition sets the ICSR2.STOP flag to 1.
9. Check that the ICSR2.STOP flag is 1, then set the ICSR2.NACKF and ICSR2.STOP flags to 0 for the next transfer operation.

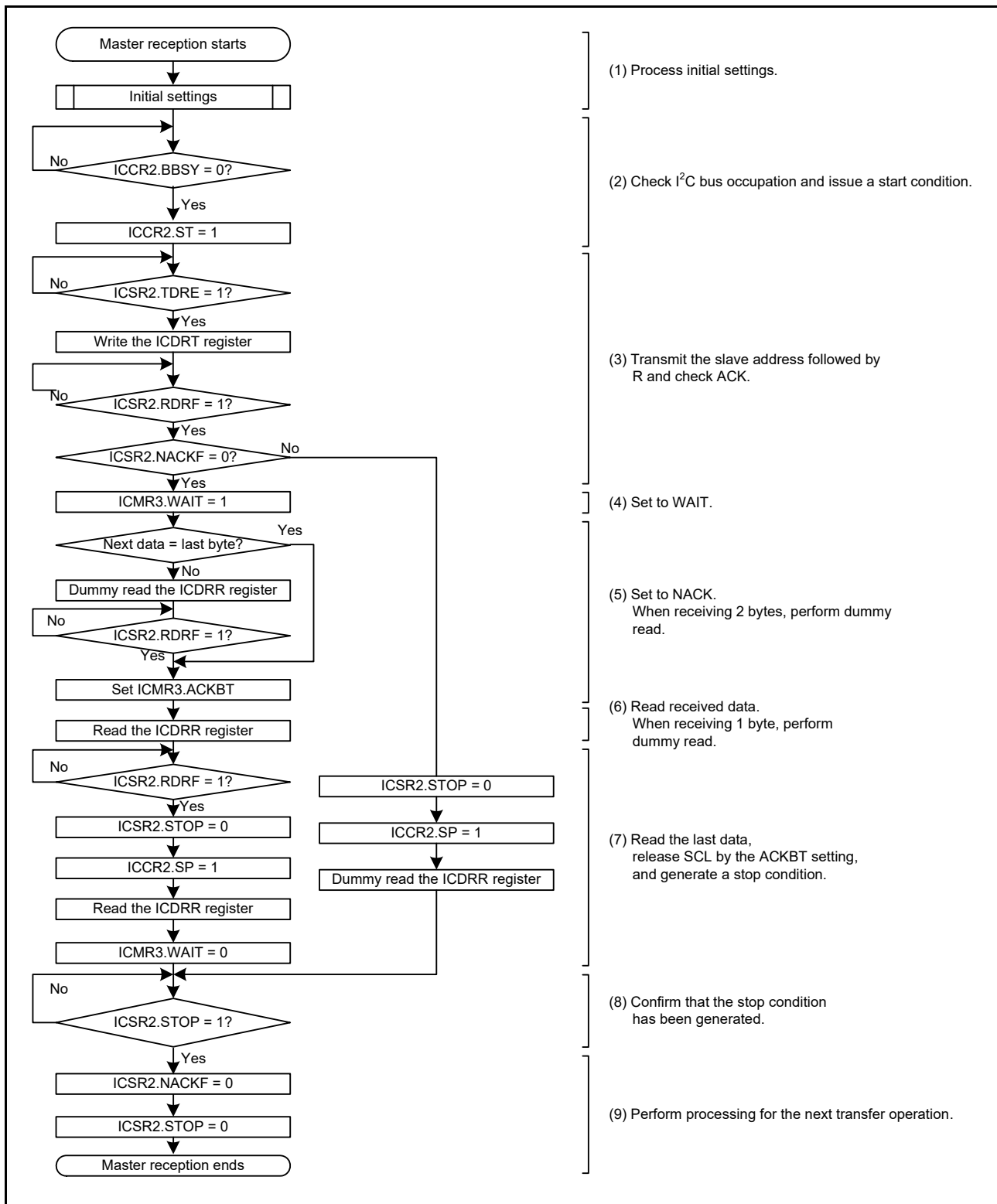


Figure 29.10 Example of master reception flow with 7-bit address format, and 1 or 2 bytes

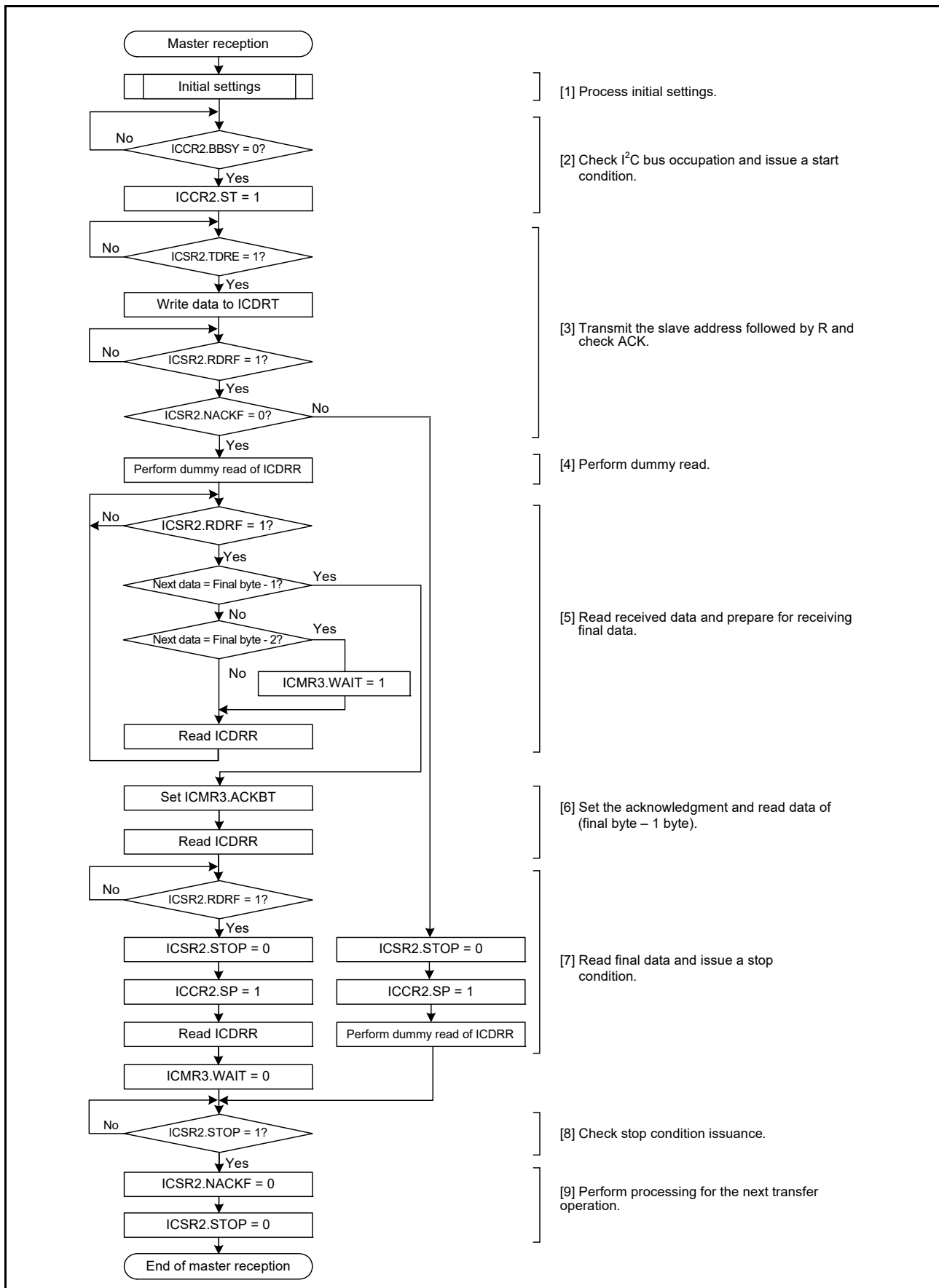


Figure 29.11 Example of master reception flow with 7-bit address format, and 3 bytes or more

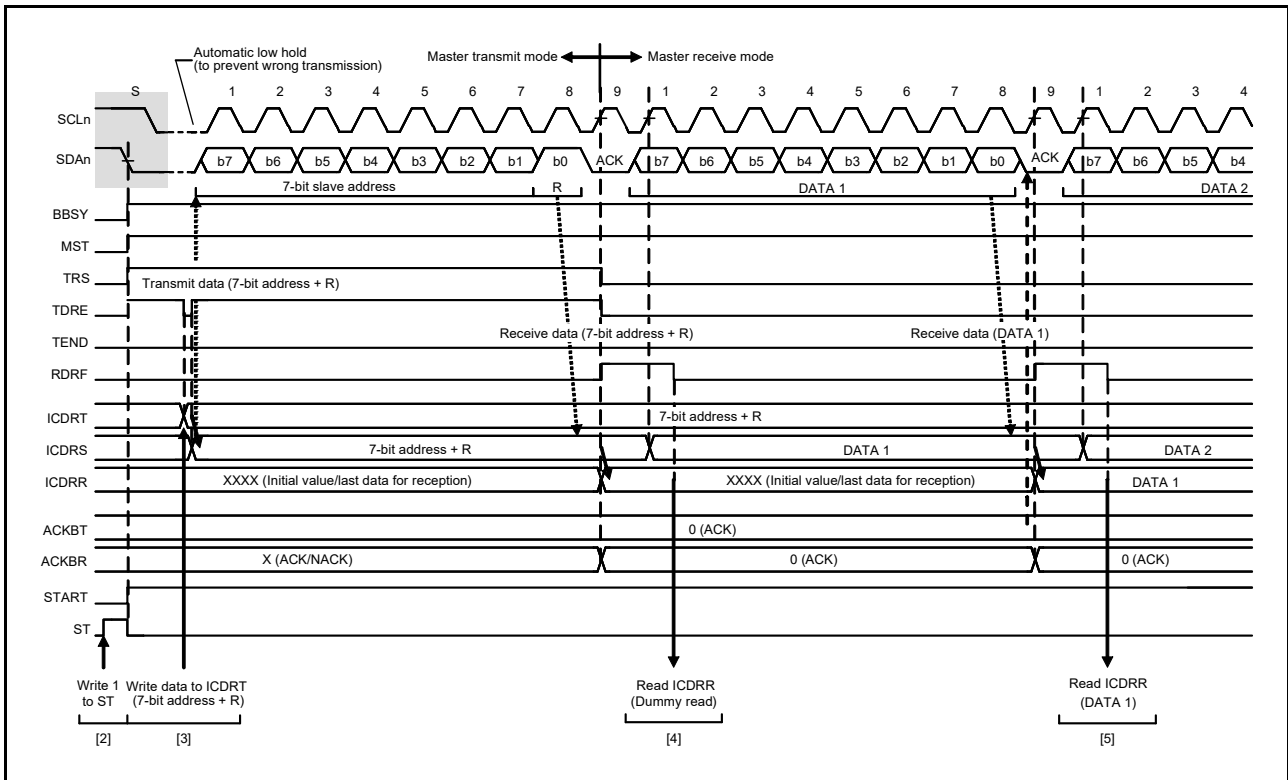


Figure 29.12 Master receive operation timing (1) with 7-bit address format when RDRFS = 0

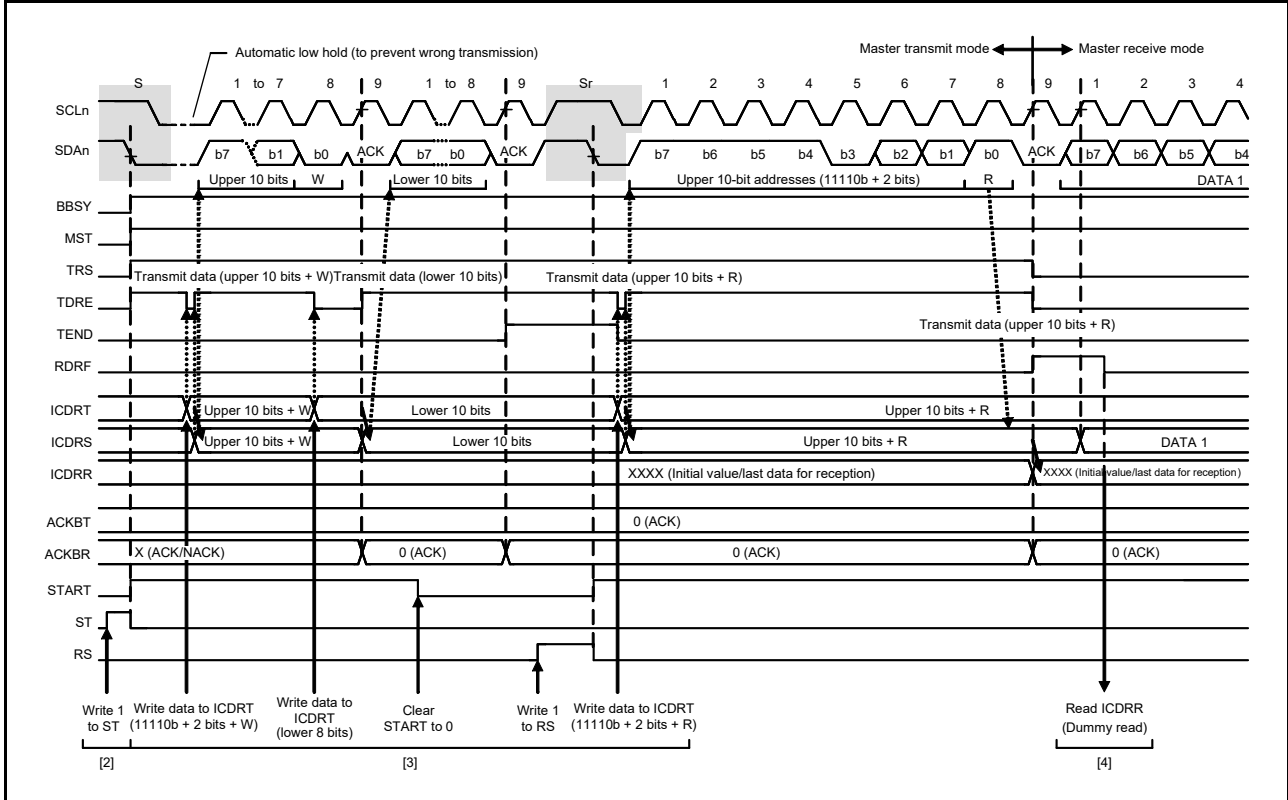


Figure 29.13 Master receive operation timing (2) with 10-bit address format when RDRFS = 0

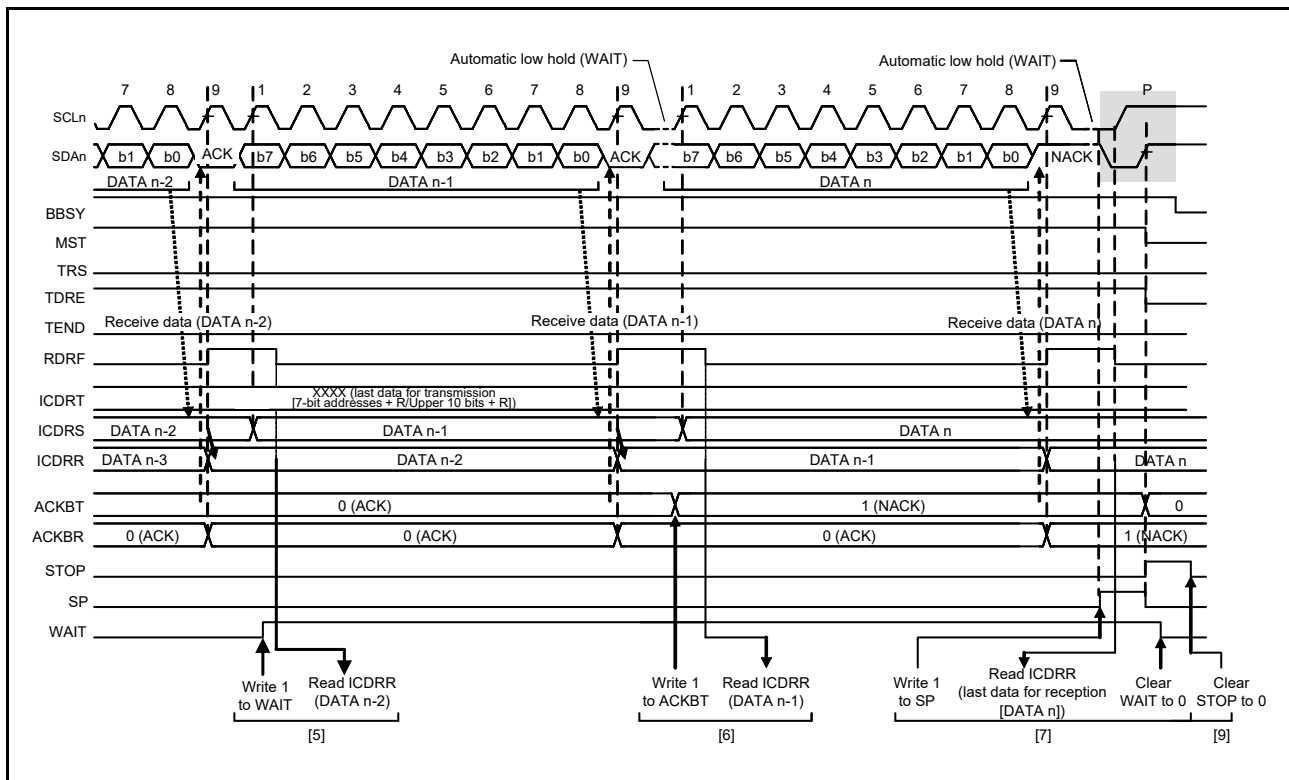


Figure 29.14 Master receive operation timing (3) when RDRFS = 0

29.3.5 Slave Transmit Operation

In slave transmit operation, the master device outputs the SCL clock, the IIC transmits data as a slave device, and the master device returns acknowledgments.

Figure 29.15 shows an example of slave transmission. Figure 29.16 and Figure 29.17 show the timing of operations in slave transmission.

To setup and perform slave transmission:

- To initialize the IIC, follow the procedure in [section 29.3.2, Initial Settings](#). After initialization, the IIC stays in the standby state until it receives a slave address that it matches.
- After receiving a matching slave address, the IIC sets one of the associated bits ICSR1.HOA, GCA, and AAS_y ($y = 0$ to 2) to 1 on the rising edge of the 9th cycle of SCL clock and outputs the value set in the ICMR3.ACKBT bit as the acknowledge bit on the 9th cycle of SCL clock. If the value of the received R/W# bit is 1, the IIC automatically places itself in slave transmit mode by setting both the ICCR2.TRS bit and the ICSR2.TDRE flag to 1.
- Check that the ICSR2.TEND flag is 1, then write the transmit data to the ICDRT register. If the IIC receives no acknowledge from the master device (receives an NACK signal) while the ICFER.NACKF bit is 1, the IIC suspends transfer of the next data.
- Wait until the ICSR2.TEND flag is set to 1 while the ICSR2.TDRE flag is 1, after the ICSR2.NACKF flag is set to 1 or the last byte for transmission is written to the ICDRT register. When the ICSR2.NACKF flag or the TEND flag is 1, the IIC drives the SCLn line low on the 9th falling edge of SCL clock.
- When the ICSR2.NACKF flag or the ICSR2.TEND flag is 1, dummy read ICDRR to complete the processing. This releases the SCLn line.
- On detecting the stop condition, the IIC automatically sets bits ICSR1.HOA, GCA, and AAS_y ($y = 0$ to 2), the ICSR2.TDRE and TEND flags, and the ICCR2.TRS bit to 0, and enters slave receive mode.
- Check that the ICSR2.STOP flag is 1, then set the ICSR2.NACKF and STOP flags to 0 for the next transfer operation.

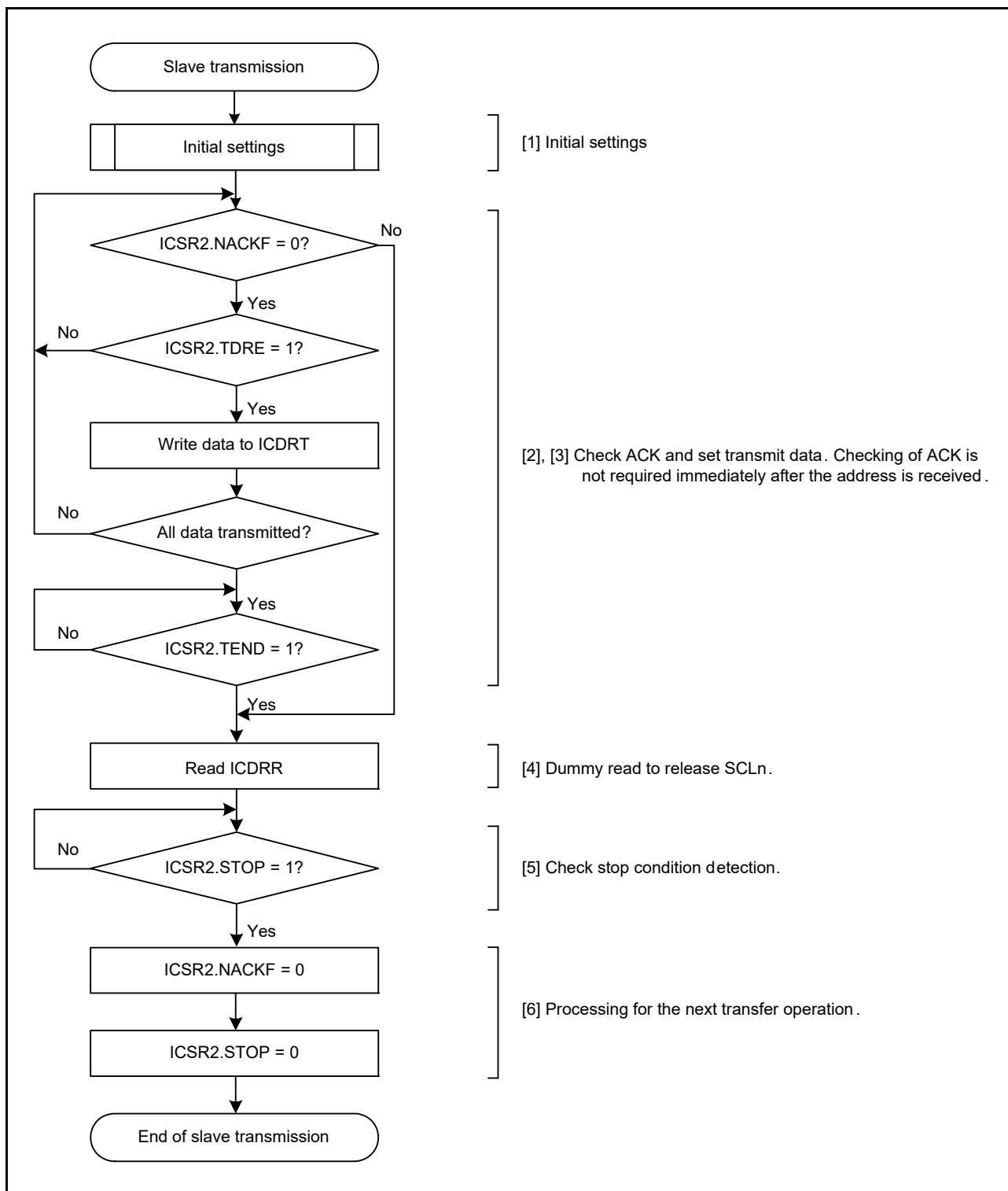


Figure 29.15 Example of slave transmission flow

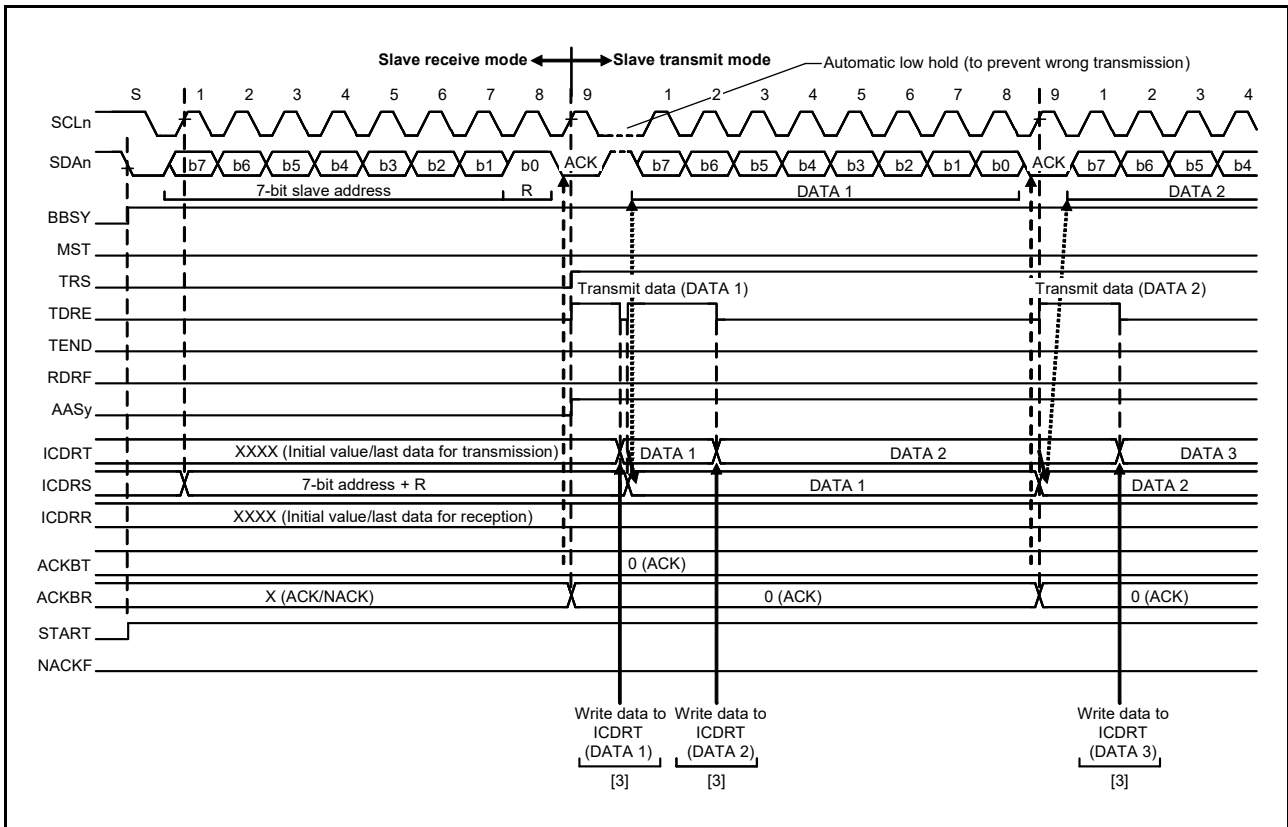


Figure 29.16 Slave transmit operation timing (1) with 7-bit address format

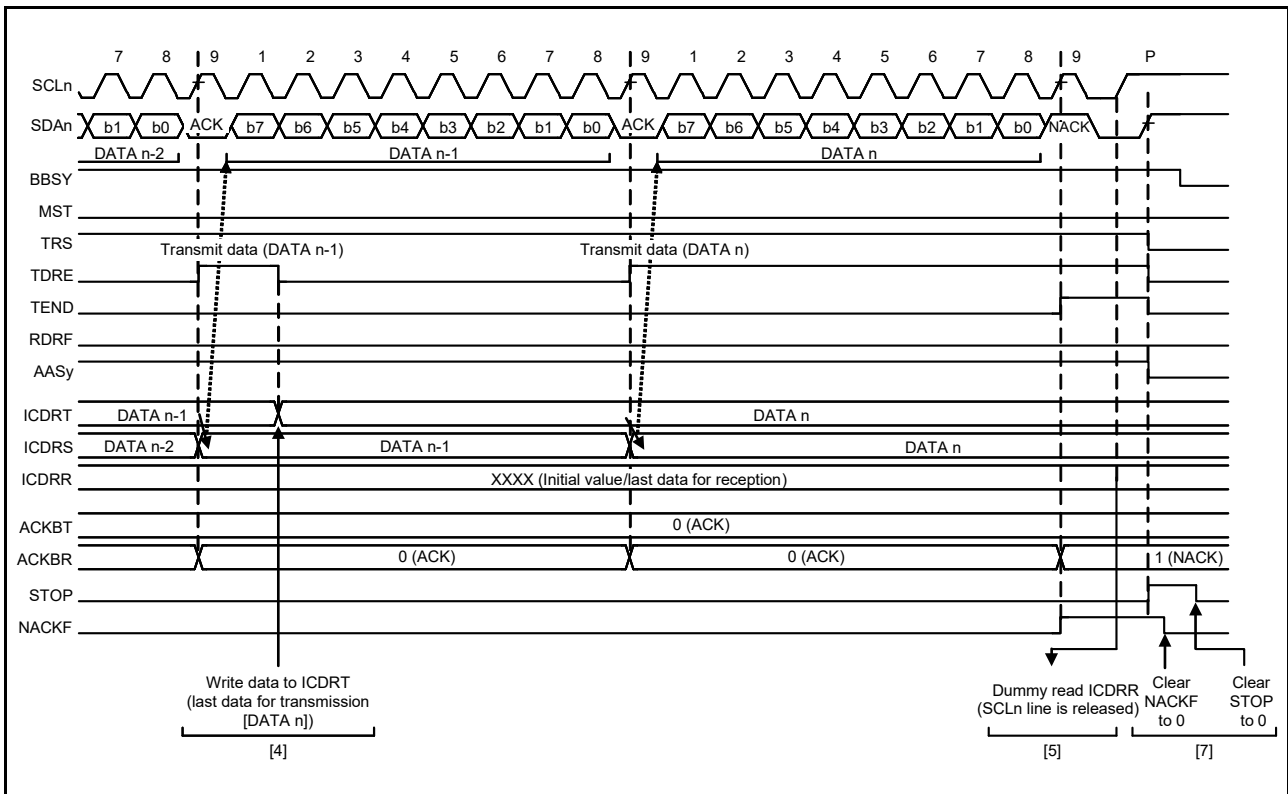


Figure 29.17 Slave transmit operation timing (2)

29.3.6 Slave Receive Operation

In a slave receive operation, the master device outputs the SCL clock and transmit data, and the IIC returns acknowledgments as a slave device.

Figure 29.18 shows an example of slave reception. Figure 29.19 and Figure 29.20 show the timing of operations in slave reception.

To set up and perform slave reception:

- To initialize the IIC, follow the procedure in [section 29.3.2, Initial Settings](#).
After initialization, the IIC stays in the standby state until it receives a slave address that it matches.
- After receiving a matching slave address, the IIC sets one of the associated bits ICSR1.HOA, GCA, and AASy (y = 0 to 2) to 1 on the rising edge of the 9th cycle of SCL clock and outputs the value set in the ICMR3.ACKBT bit as the acknowledge bit on the 9th cycle of SCL clock. If the value of the received R/W# bit is 0, the IIC continues to place itself in slave receive mode and sets the RDRF flag in ICSR2 to 1.
- Check that the ICSR2.STOP flag is 0 and the ICSR2.RDRF flag is 1, dummy read ICDRR. The dummy value consists of the slave address and R/W# bit when the 7-bit address format is selected, or the lower 8 bits when the 10-bit address format is selected.
- When ICDRR is read, the IIC automatically sets the ICSR2.RDRF flag to 0. If reading of ICDRR is delayed and a next byte is received while the RDRF flag is still set to 1, the IIC holds the SCLn line low until 1 SCL cycle before the point where RDRF must be set. In this case, reading the ICDRR releases the SCLn line from being held low. When the ICSR2.STOP flag is 1 and the ICSR2.RDRF flag is also 1, read ICDRR until all the data is completely received.
- On detecting the stop condition, the IIC automatically clears the ICSR1.HOA, GCA, and AASy (y = 0 to 2) bits to 0.
- Check that the ICSR2.STOP flag is 1, then set the ICSR2.STOP flag to 0 for the next transfer operation.

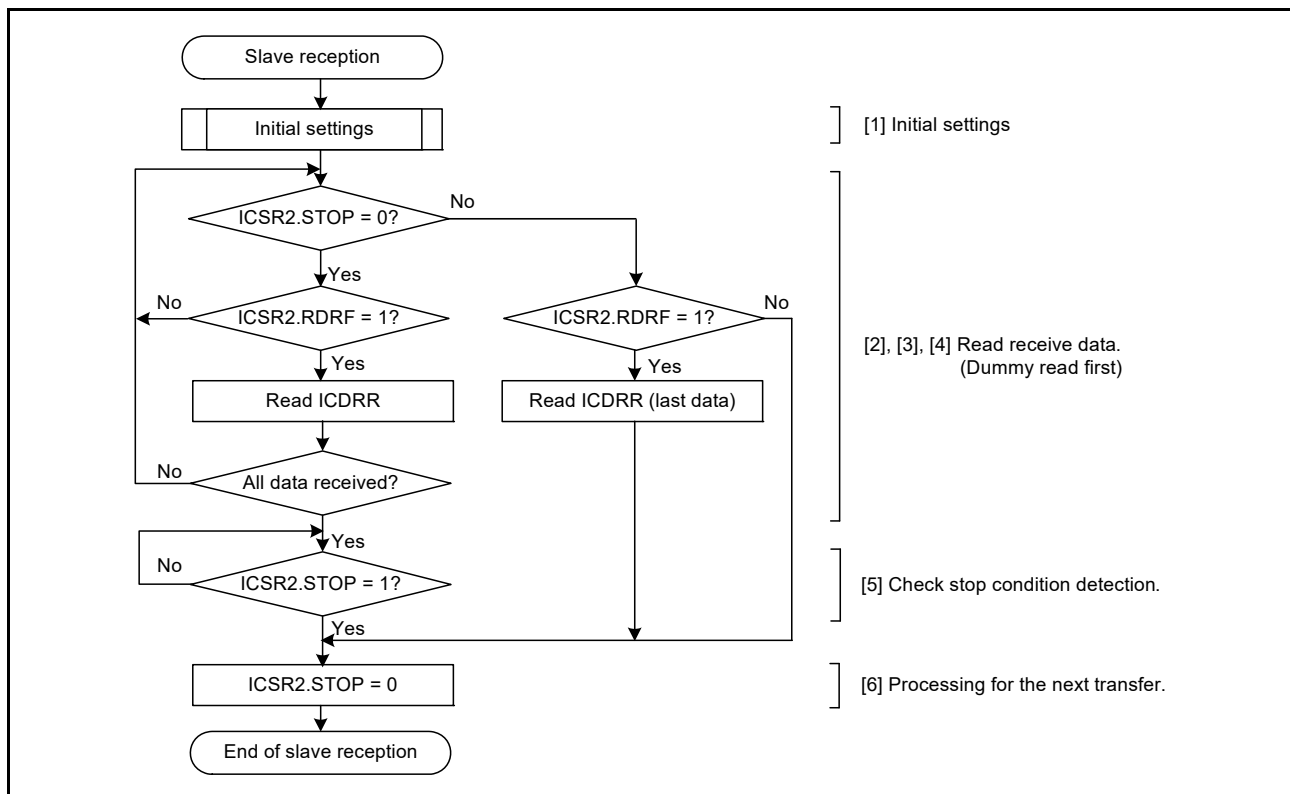


Figure 29.18 Example slave reception flow

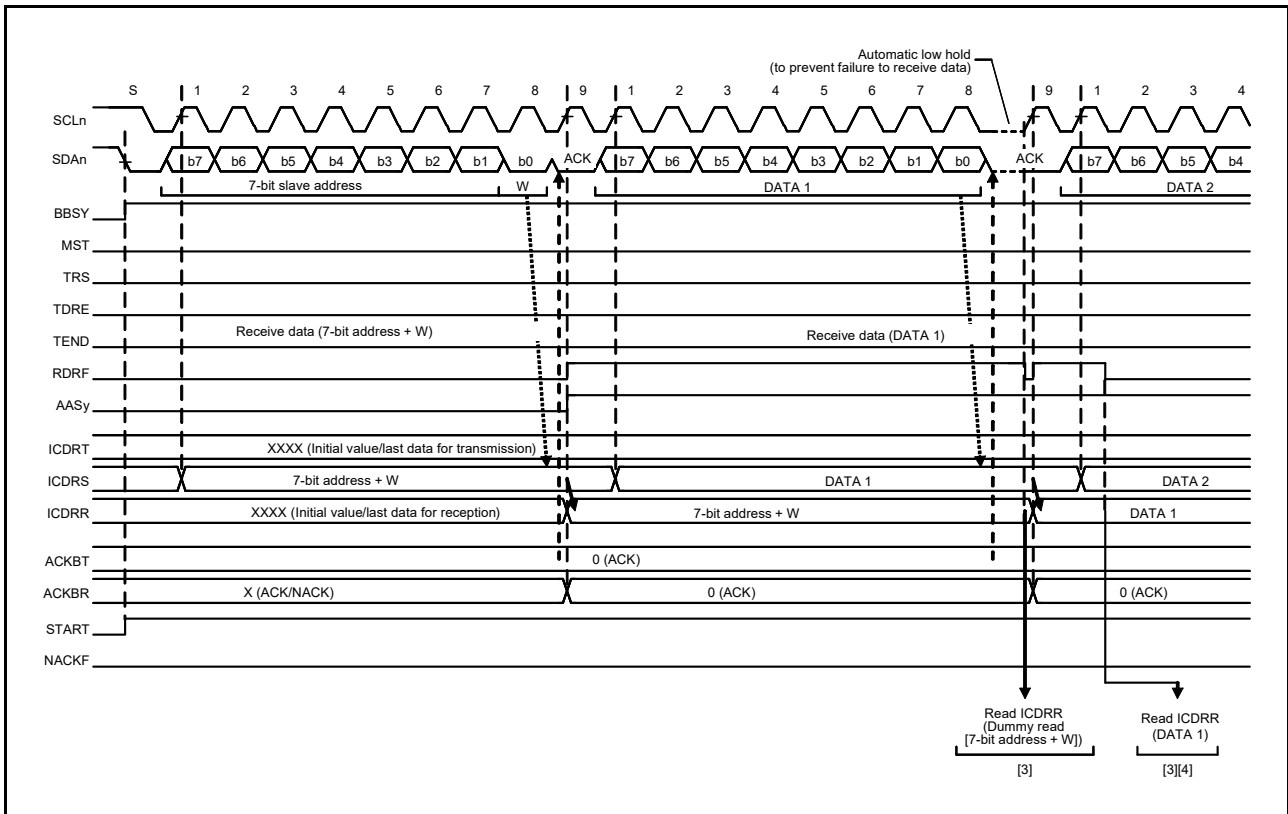


Figure 29.19 Slave receive operation timing (1) with 7-bit address format when RDRFS = 0

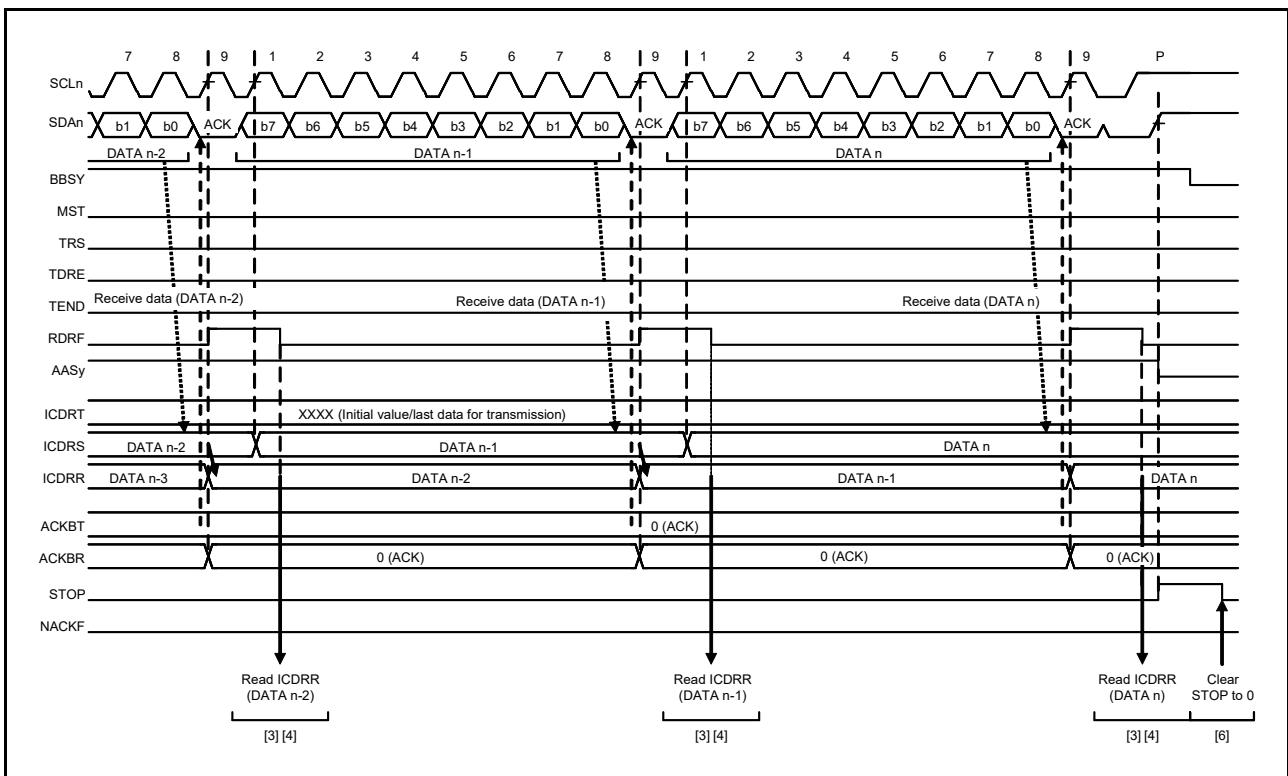


Figure 29.20 Slave receive operation timing (2) when RDRFS = 0

29.4 SCL Synchronization Circuit

To generate the SCL clock, the IIC starts counting the value for the high-level period specified in ICBRH when it detects a rising edge on the SCLn line and drives the SCLn line low when it completes counting. When the IIC detects the falling edge of the SCLn line, it starts counting the value for the low-level period specified in ICBRL, and then stops driving the SCLn line (releases the line) when it completes counting. The IIC repeats this process to generate the SCL clock.

If multiple master devices are connected to the I²C bus, a collision of SCL signals might arise because of contention with another master device. In such cases, the master devices must synchronize their SCL signals. Because this synchronization of SCL signals must be bit-by-bit, the IIC includes an SCL synchronization circuit to obtain bit-by-bit synchronization of the SCL clock signals by monitoring the SCLn line while in master mode.

When the IIC detects a rising edge on the SCLn line and starts counting the high-level period specified in ICBRH, and the level on the SCLn line falls because an SCL signal is being generated by another master device, the IIC performs the following:

1. Stops counting when it detects the falling edge.
2. Drives the level on the SCLn line low.
3. Starts counting the low-level period specified in ICBRL.

When the IIC finishes counting the low-level period, it stops driving the SCLn line low. If the low-level period of the SCL clock signal from the other master device is longer than the low-level period set in the IIC, the low-level period of the SCL signal is extended. If the low-level period for the other master device ends, the SCL signal rises because the SCLn line is released.

When the IIC finishes outputting the low-level period of the SCL clock, the SCLn line is released and the SCL clock rises. That is, when SCL signals from more than one master are contending, the high-level period of the SCL signal is synchronized with that of the clock having the narrower period, and the low-level period of the SCL signal is synchronized with that of the clock with the broader period. However, such synchronization of the SCL signal is only enabled when the SCLE bit in ICFER is set to 1.

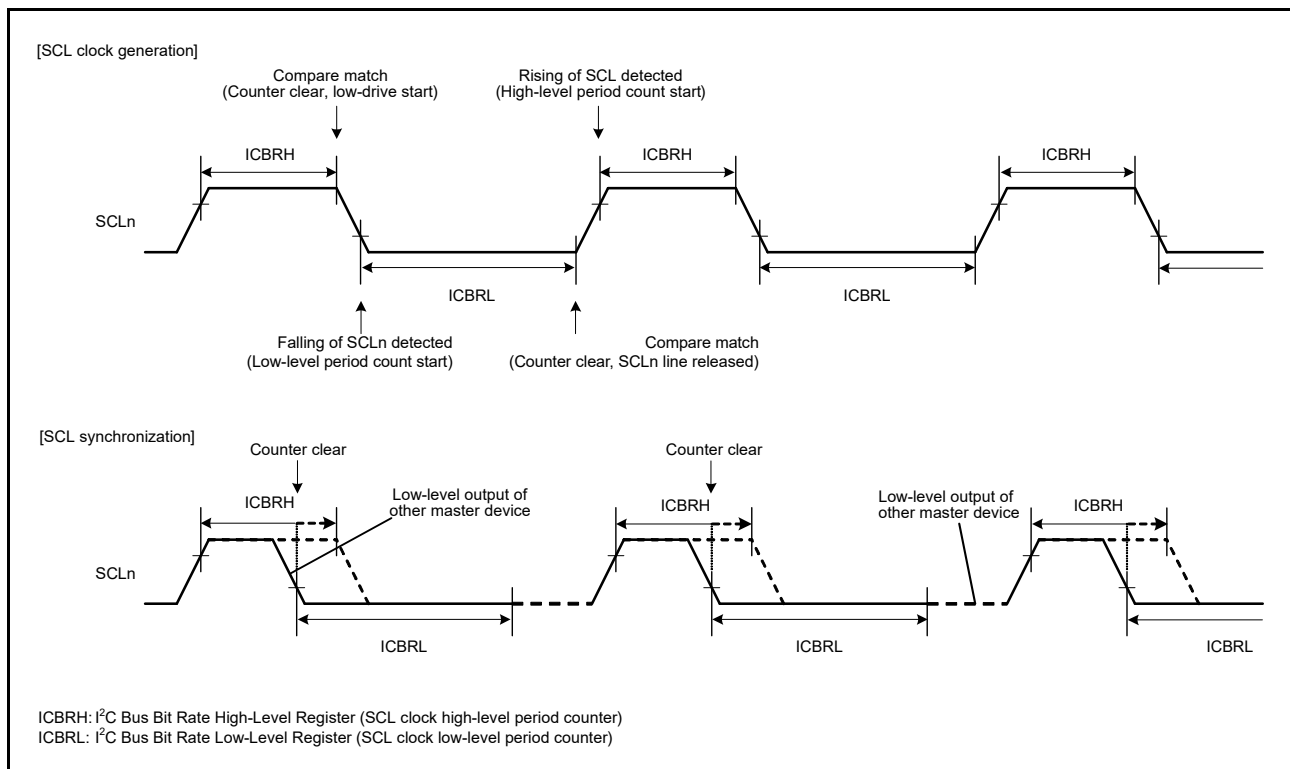


Figure 29.21 Generation and synchronization of SCL signal from IIC

29.5 SDA Output Delay Function

The IIC module provides a function for delaying output on the SDA line. The delay can be applied to all output on the SDA line, including issuing of the start, restart, and stop conditions, data, and the ACK and NACK signals.

With this function, SDA output is delayed from the detection of a falling edge of the SCL signal to ensure that the SDA signal is output within the interval during which the SCL clock is low. This approach helps to prevent erroneous operation of communication devices, with the aim of satisfying the 300-ns minimum data-hold time requirement of the SMBus specification. The output delay function is enabled by setting the SDDL[2:0] bits in ICMR2 to any value other than 000b, and disabled by setting the same bits to 000b.

When the SDA output delay function is enabled, for example, the DLCS bit in ICMR2 selects the clock source for the SDA output delay counter, either as the internal base clock (IIC ϕ) for the IIC module or as the internal base clock divided by two (IIC ϕ /2). The counter counts the number of cycles set in the SDDL[2:0] bits in ICMR2. When the delay count is reached, the IIC module places the required output (start, restart, or stop condition, data, or an ACK or NACK signal) on the SDA line.

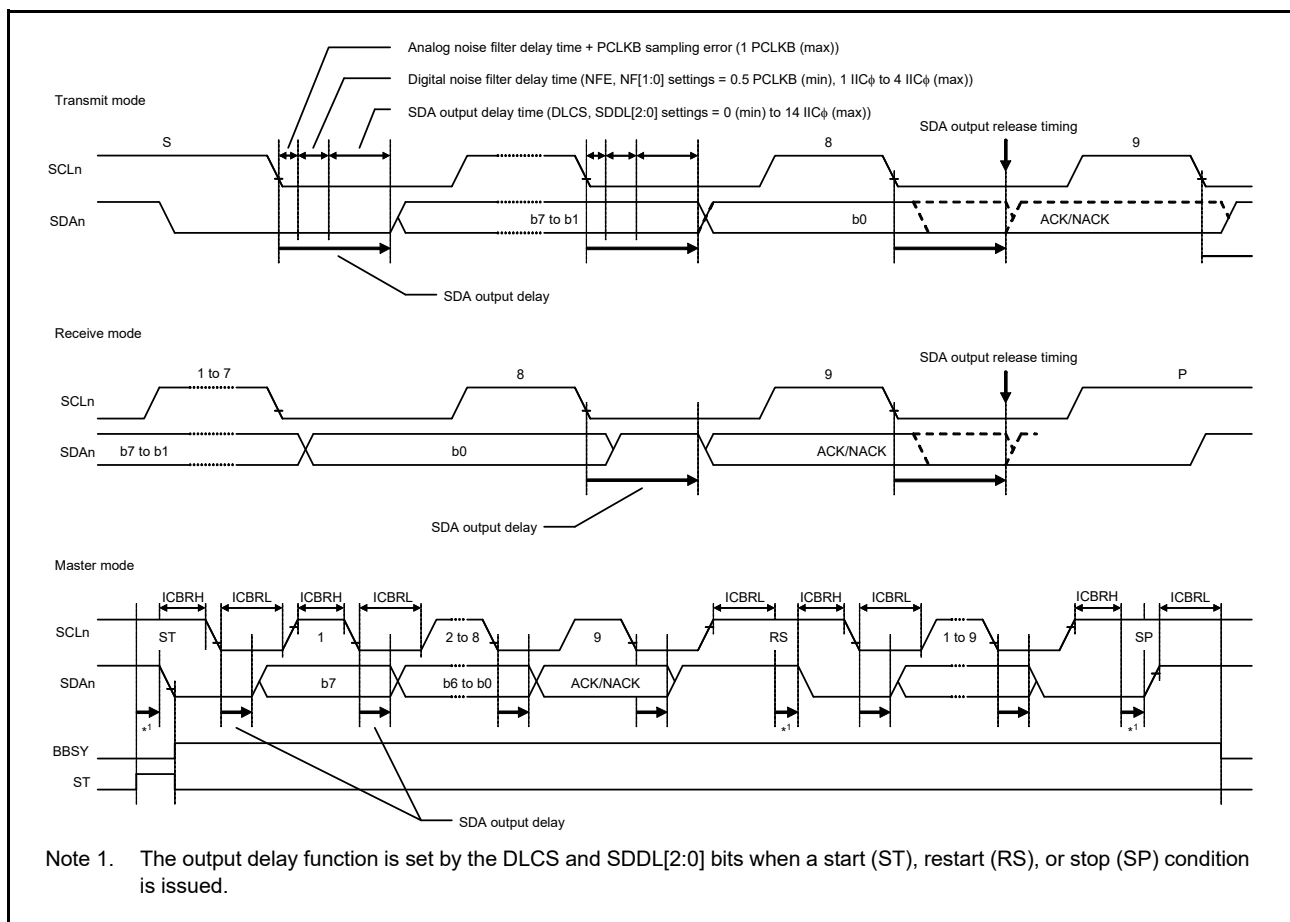


Figure 29.22 SDA output delay function

29.6 Digital Noise Filter Circuits

The internal circuitry sees the states of the SCLn and SDAn pins through analog and digital noise-filter circuits. [Figure 29.23](#) shows a block diagram of the digital noise-filter circuit.

The on-chip digital noise-filter circuit of the IIC consists of four flip-flop circuit stages connected in series, and a match-detection circuit.

The number of effective stages in the digital noise filter is selected in the NF[1:0] bits in ICMR3. The selected number of effective stages determines the noise-filtering capability as a period from 1 to 4 IIC ϕ cycles.

The input signal to the SCLn pin (or SDAn pin) is sampled on falling edges of the IIC ϕ signal. When the input signal

level matches the output level of the number of effective flip-flop circuit stages as selected in the NF[1:0] bits in ICMR3, the signal level is seen in the subsequent stage. If the signal levels do not match, the previous value is saved.

If the ratio between the frequency of the internal operating clock (PCLKB) and the transfer rate is small, for example, for data transfer at 400 kbps with PCLKB at 4 MHz, the digital noise filter might lead to the elimination of the required signals as noise. In such cases, it is possible to disable the digital noise-filter circuit by setting the ICFER.NFE bit to 0, and use only the analog noise filter circuit.

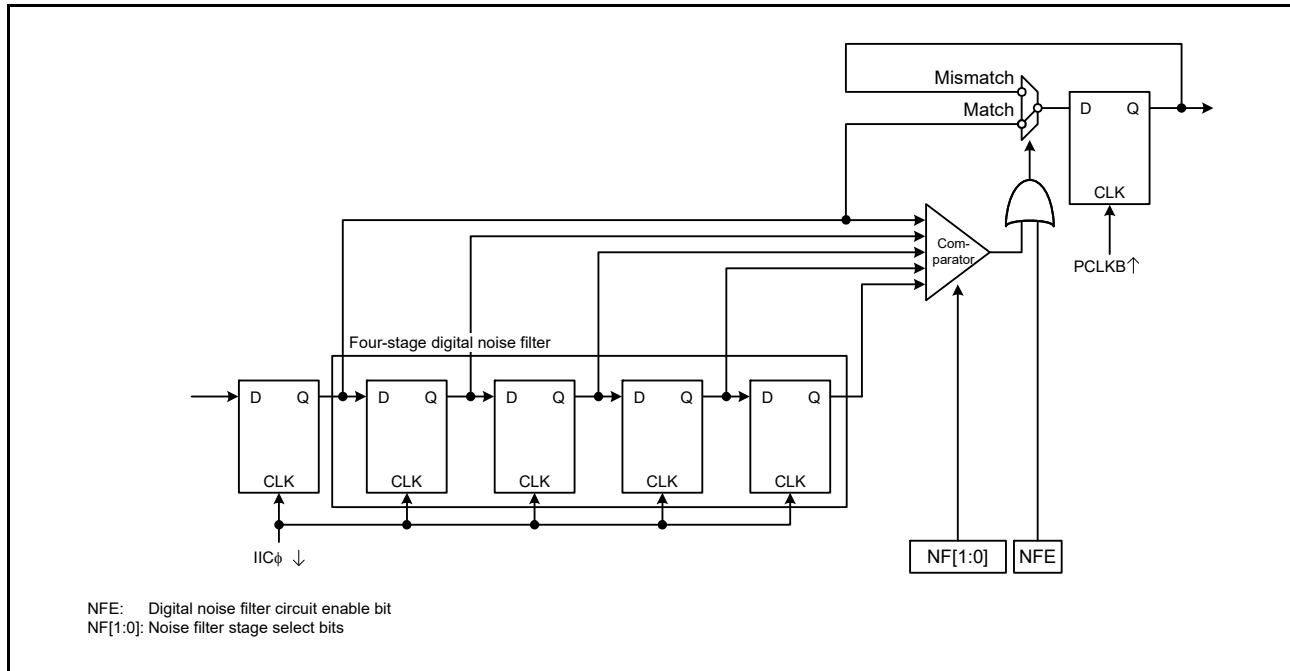


Figure 29.23 Digital noise filter circuit block diagram

29.7 Address Match Detection

The IIC can set three unique slave addresses in addition to the general call address and host address. The slave addresses can be 7-bit or 10-bit slave addresses.

29.7.1 Slave-Address Match Detection

The IIC can set three unique slave addresses and has a slave address detection function for each unique slave address. When the SARyE bit ($y = 0$ to 2) in ICSER is set to 1, the slave addresses set in SARUy and SARLy ($y = 0$ to 2) can be detected.

When the IIC detects a match of the set slave address, the associated AASy flag ($y = 0$ to 2) in ICSR1 is set to 1 at the rising edge of the 9th SCL clock cycle, and the RDRF flag in ICSR2 or the TDRE flag in ICSR2 is set to 1 by the following R/W# bit. This causes a receive data full interrupt (IICn_RXI) or transmit data empty interrupt (IICn_TXI) to be generated. The AASy flag identifies which slave address is specified.

Figure 29.24 to Figure 29.26 show the AASy flag set timing in three cases.

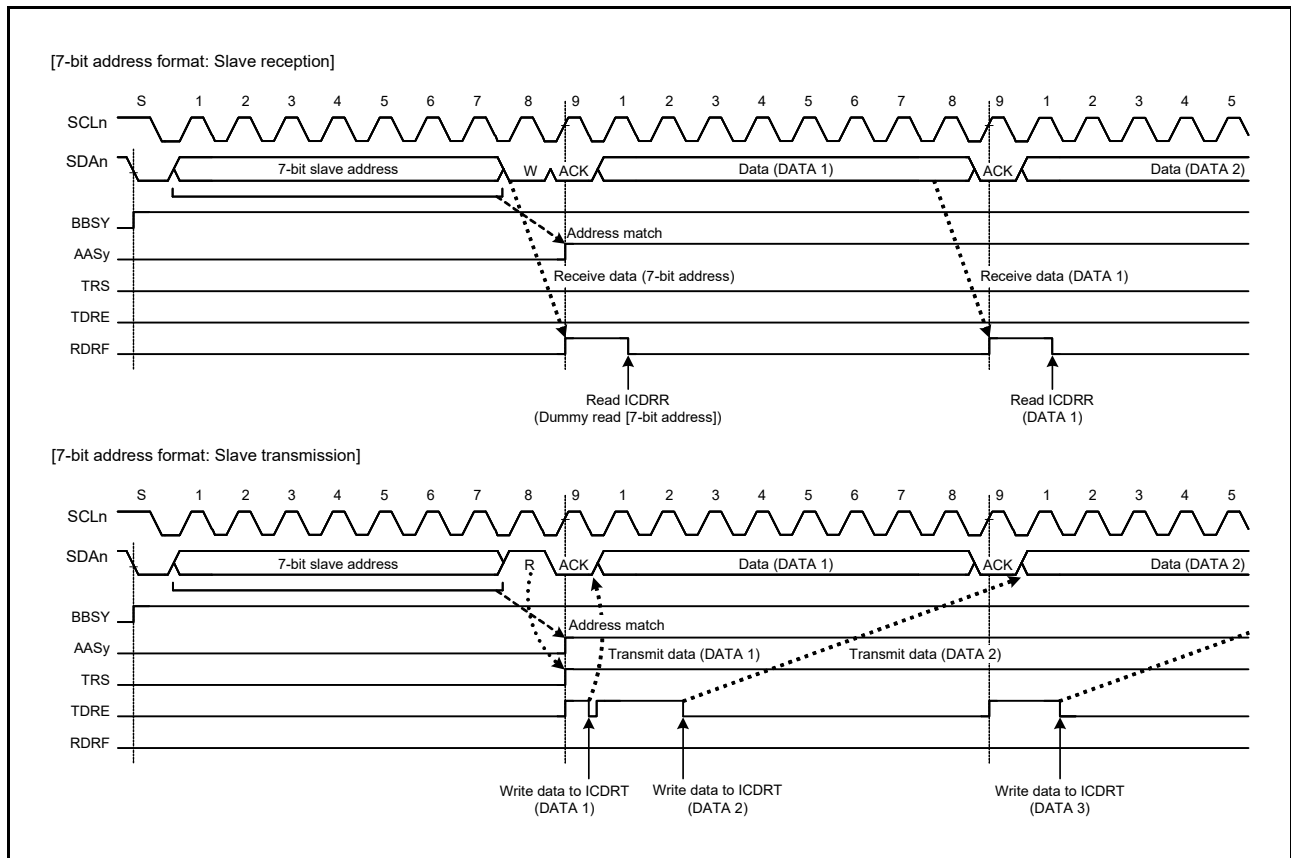


Figure 29.24 AASy flag set timing with 7-bit address format selected

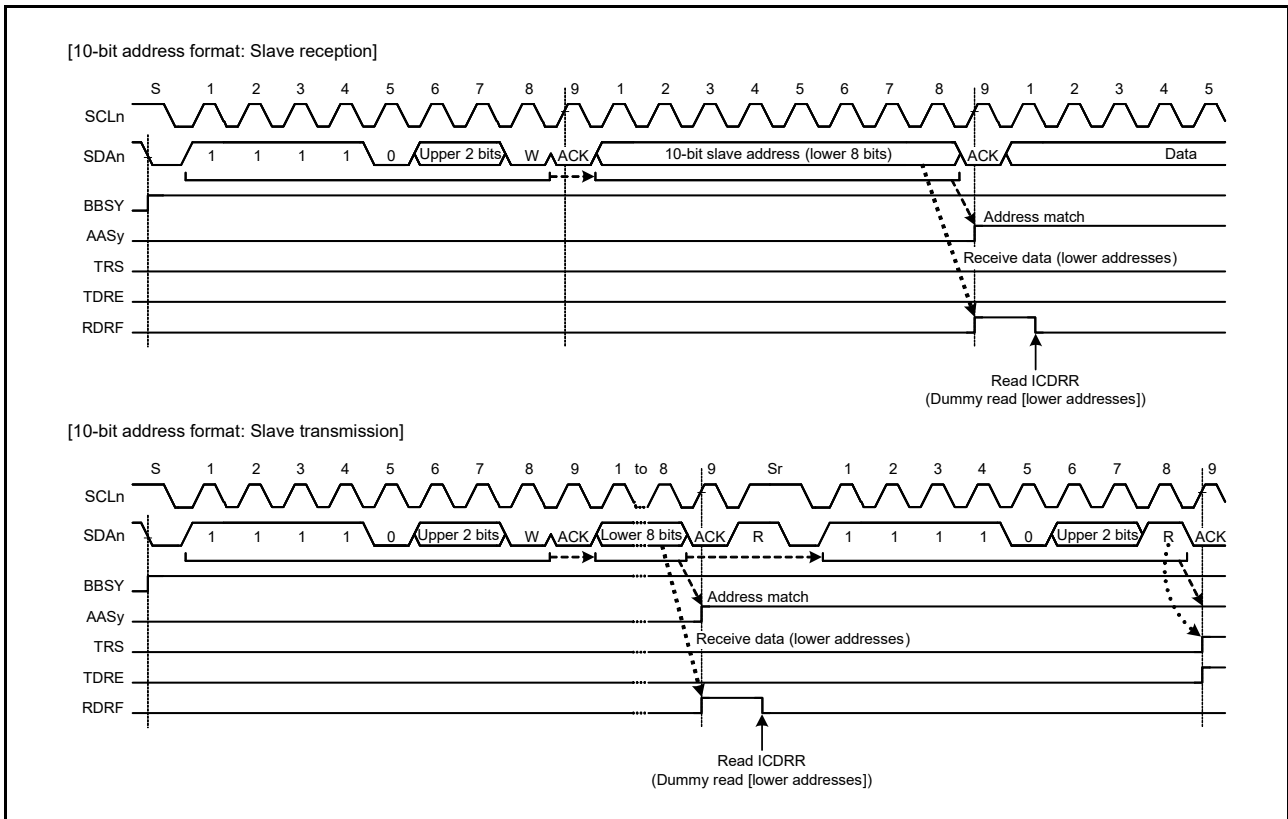


Figure 29.25 AASy flag set timing with 10-bit address format selected

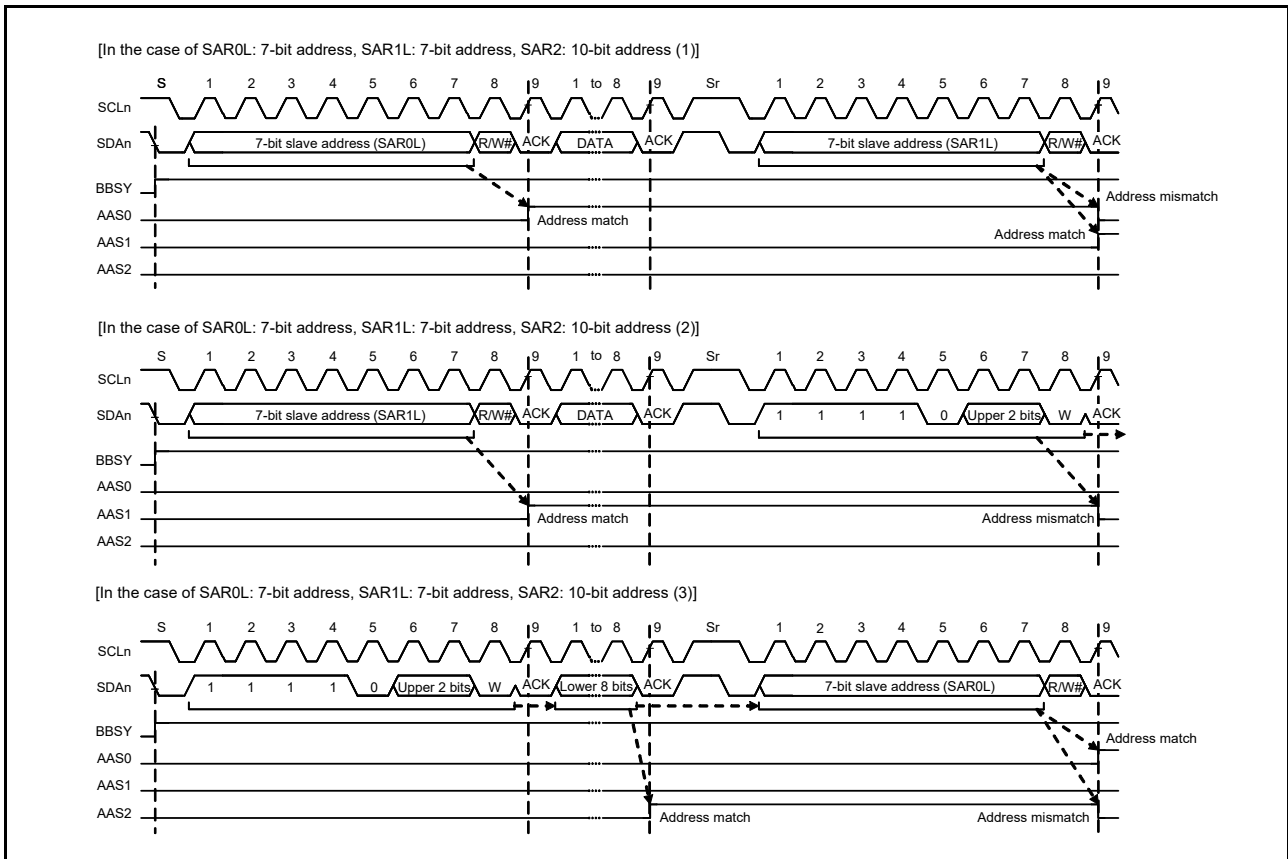


Figure 29.26 AASy flag set and clear timing with 7-bit and 10-bit address formats mixed

29.7.2 Detection of General Call Address

The IIC provides detection of the general call address (0000 000b + 0 [W]). General call address detection is enabled by setting the GCAE bit in ICSER to 1.

If the address received after a start or restart condition is issued is 0000 000b + 1[R] (start byte), the IIC recognizes this as the address of a slave device with an all-zero address, but not as the general call address.

When the IIC detects the general call address, both the GCA flag in ICSR1 and the RDRF flag in ICSR2 are set to 1 on the rising edge of the 9th cycle of SCL clock. This leads to the generation of a receive data full interrupt (IICn_RXI). The value of the GCA flag can be checked to confirm whether the general call address is transmitted.

Operation after detection of the general call address is the same as normal slave receive operation.

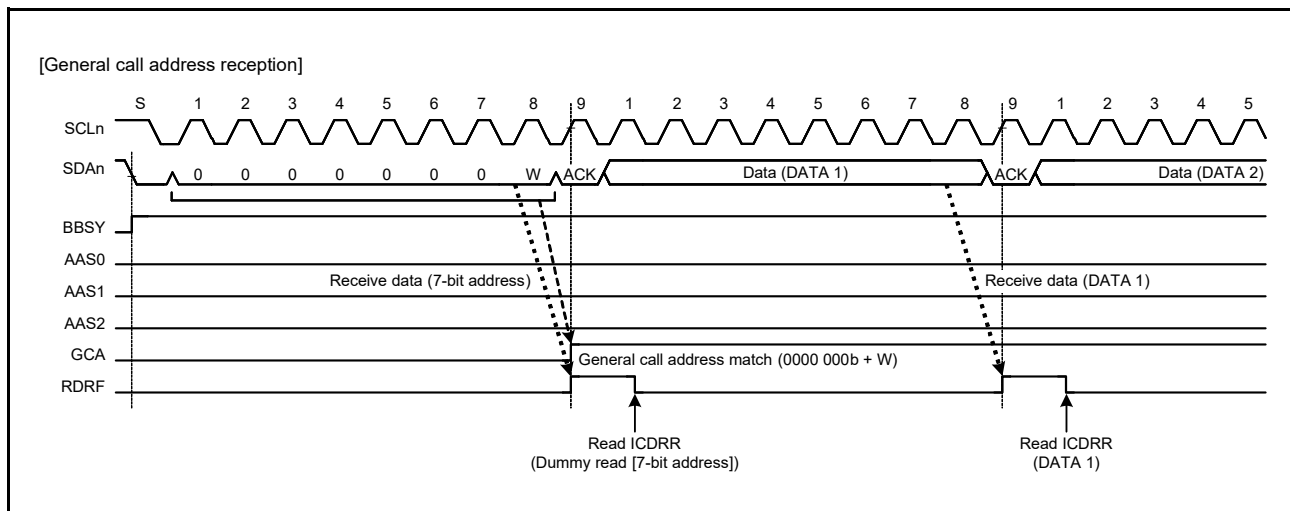


Figure 29.27 Timing of GCA flag setting during reception of general call address

29.7.3 Device ID Address Detection

The IIC module provides detection of device ID address in conformance with the I²C bus specification, Rev.03. When the IIC receives 1111 100b as the first byte after a start condition or restart condition is issued with the DIDE bit in ICSER set to 1, the IIC recognizes the address as a device ID, sets the DID flag in ICSR1 to 1 on the rising edge of the 8th SCL clock cycle when the following R/W# bit is 0, then compares the second and subsequent bytes with its own slave address. If the address matches the value in the slave address register, the IIC sets the associated AASy flag (y = 0 to 2) in ICSR1 to 1.

When the first byte received after the issue of a start or restart condition matches the device ID address (1111 100b) again and the subsequent R/W# bit is 1, the IIC does not compare the second and subsequent bytes and sets the ICSR2.TDRE flag to 1.

In the device ID address detection function, the IIC sets the DID flag to 0 if a match with the IIC slave address is not obtained or a match with the device ID address is not obtained after a match with the IIC slave address and the detection of a restart condition. If the first byte after detection of a start or restart condition matches the device ID address (1111 100b) and the R/W# bit is 0, the IIC sets the DID flag to 1 and compares the second and subsequent bytes with the slave address of the IIC. If the R/W# bit is 1, the DID flag holds the previous value and the IIC does not compare the second and subsequent bytes. Therefore, the reception of a device ID address can be checked by reading the DID flag after confirming that TDRE = 1.

Additionally, prepare the device ID fields (3 bytes: 12 bits indicating the manufacturer + 9 bits identifying the part + 3 bits indicating the revision) that must be sent to the host after reception of a continuous device ID field as normal data for transmission. For details on the information that must be included in device ID fields, contact NXP Semiconductors.

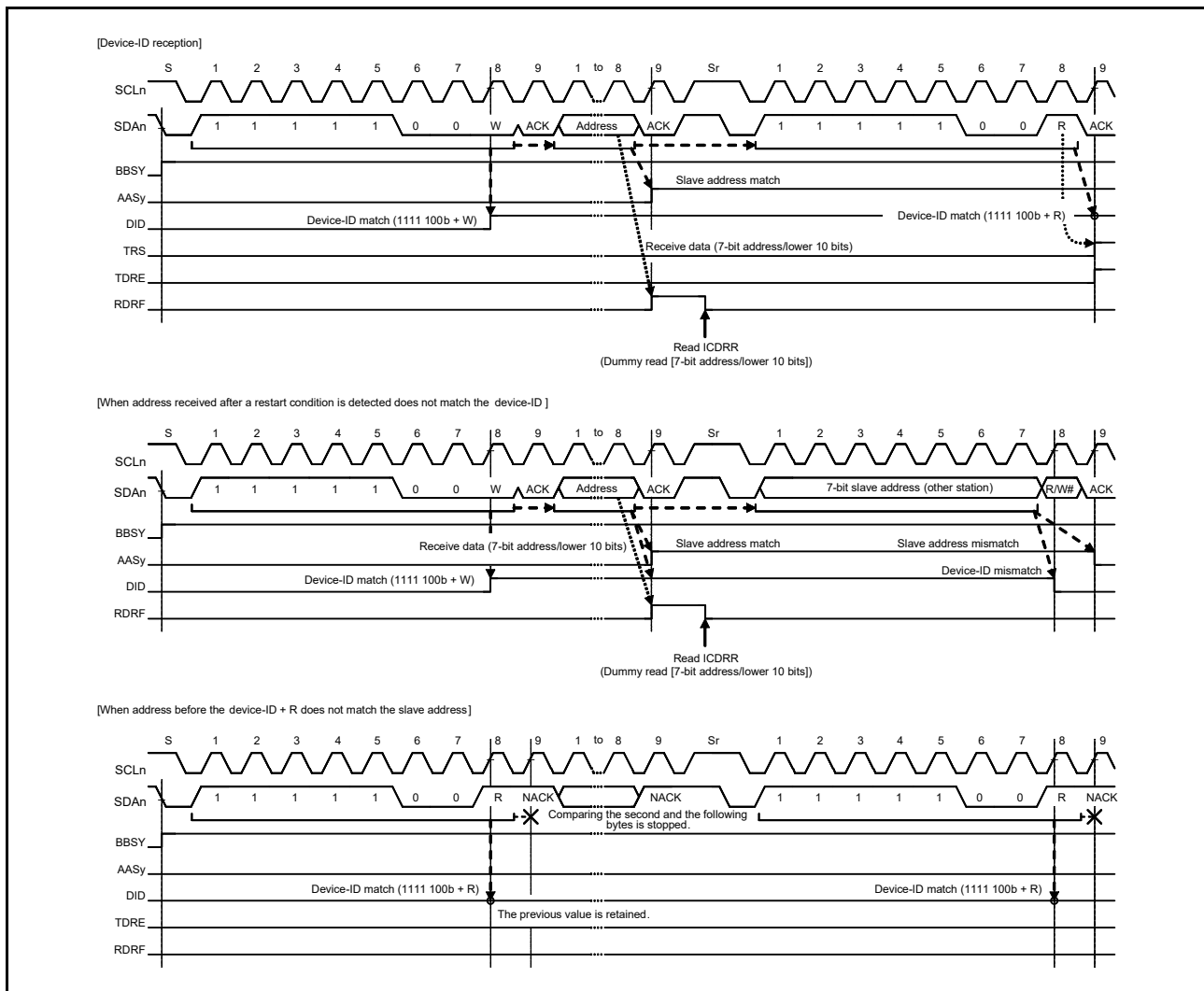


Figure 29.28 AASy/DID flag set/clear timing during reception of device ID

29.7.4 Host Address Detection

The IIC provides host address detection when operating in SMBus mode. When the HOAE bit in ICSER is set to 1 while the SMBS bit in ICMR3 is 1, the IIC can detect the host address (0001 000b) in slave receive mode (ICCR2.MST and ICCR2.TRS bits = 00b).

When the IIC detects the host address, the HOA flag in the ICSR1 register is set to 1 on the rising edge of the 9th SCL clock cycle. At the same time, the RDRF flag in the ICSR2 register is set to 1 when the R/W# bit is 0. This causes a receive data full interrupt (IICn_RXI) to be generated. The HOA flag indicates that the host address was detected.

If the bit following the host address (0001 000b) is a read bit (R/W# = 1), the IIC can also detect the host address. After the host address is detected, the IIC operates in the same manner as in normal slave operation.

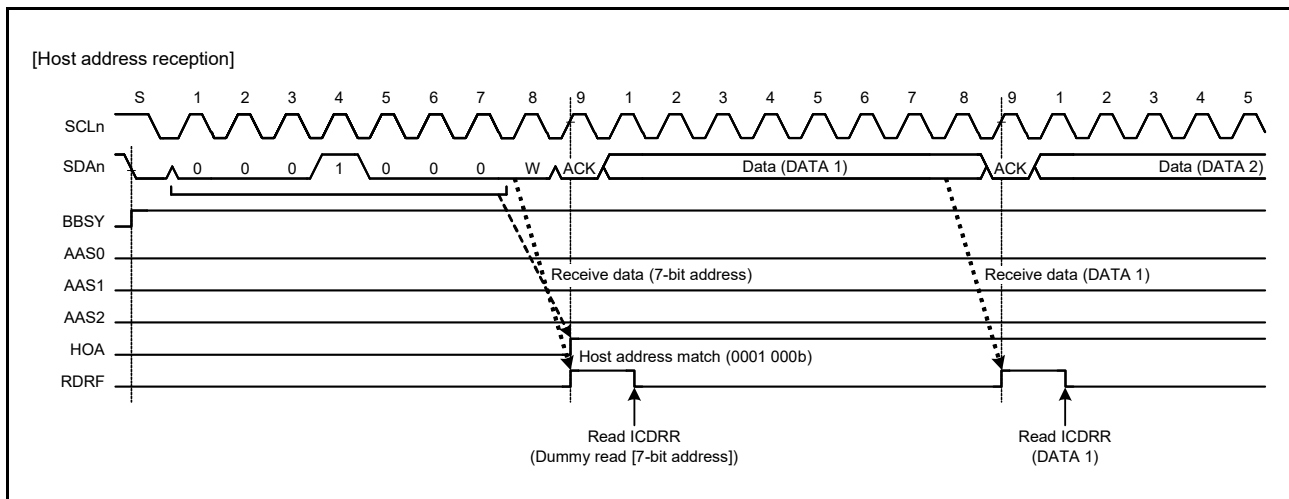


Figure 29.29 HOA flag set timing during reception of host address

29.8 Wakeup Function

The IIC provides a wakeup function that causes the MCU to transition from Software Standby mode to normal operation. The wakeup function enables the reception of data when the system clock is stopped, and it generates a wakeup interrupt signal on the match of the slave address of the received data. This wakeup interrupt signal triggers the return to normal operation.

The wakeup function has four operation modes:

- Normal wakeup mode 1
- Normal wakeup mode 2
- Command recovery mode
- EEP response mode.

Table 29.9 describes the behavior in these modes.

Table 29.9 Wakeup operation modes

| Operation mode | ACK response timing | ACK response before wakeup | SCL state during wakeup |
|-----------------------|---------------------|----------------------------------------------------------|-------------------------|
| Normal wakeup mode 1 | Before wakeup | ACK | Fixed to low |
| Normal wakeup mode 2 | After wakeup | Before wakeup: no response After wakeup: ACK response | Fixed to low |
| Command recovery mode | Before wakeup | ACK | Open |
| EEP response mode | Before wakeup | NACK | Open |

Precautions on the use of the wakeup function

- Disable the wakeup function (WUE = 0) after a wakeup interrupt triggers the transition from Software Standby mode to normal operation
- Do not change the content of the IIC registers while WUF = 0, even if the wakeup interrupt recovers the system clock. Specify the register settings after confirming that WUF = 1
- Set WUE = WUIE = 1 and MST = TRS = 0 (slave reception mode) before entering Software Standby mode
- Do not transition to Software Standby mode while BBSY = 1
- The wakeup function supports the 7-bit slave address of slave address register SARL0, the general call address, and the host address. 10-bit slave addresses, SARL1 and SARL2, are not supported
- When the wakeup function is enabled, disable the interrupts selectable in the TIE, TEIE, RIE, NAKIE, SPIE, STIE, ALIE, and TMOIE bits in the ICIER register

- When the wakeup function is enabled, do not use the timeout function
- If the transition from Software Standby mode is triggered by an interrupt other than a wakeup interrupt, for example IRQn, the WUF flag is not set to 1.

29.8.1 Normal Wakeup Mode 1

This section describes the behavior, timing, and an example operation in normal wakeup mode 1.

In normal wakeup mode 1, a wakeup interrupt triggered by the match of the slave address initiates the transition to normal operation as follows:

Before wakeup: ACK is sent in response to the data received with its own slave address of the IIC.

During wakeup: ACK response is made at the 9th clock cycle of SCL, after which SCL is held low.*1

After wakeup: Normal operation continues.

If the slave address does not match, the SCL line is not held low after the 9th clock cycle of SCL, and the slave operation continues.

For an example operation in normal wakeup mode 1, see [Figure 29.30](#). [Figure 29.32](#) shows the detailed timing.

Note 1. Between 9th clock cycle and 1st clock cycle during wakeup, WAIT = 1 does not work.

If the transition from Software Standby mode is triggered by an interrupt other than a wakeup interrupt, for example IRQn, the WUF flag is not set to 1. [Figure 29.31](#) shows an operation example.

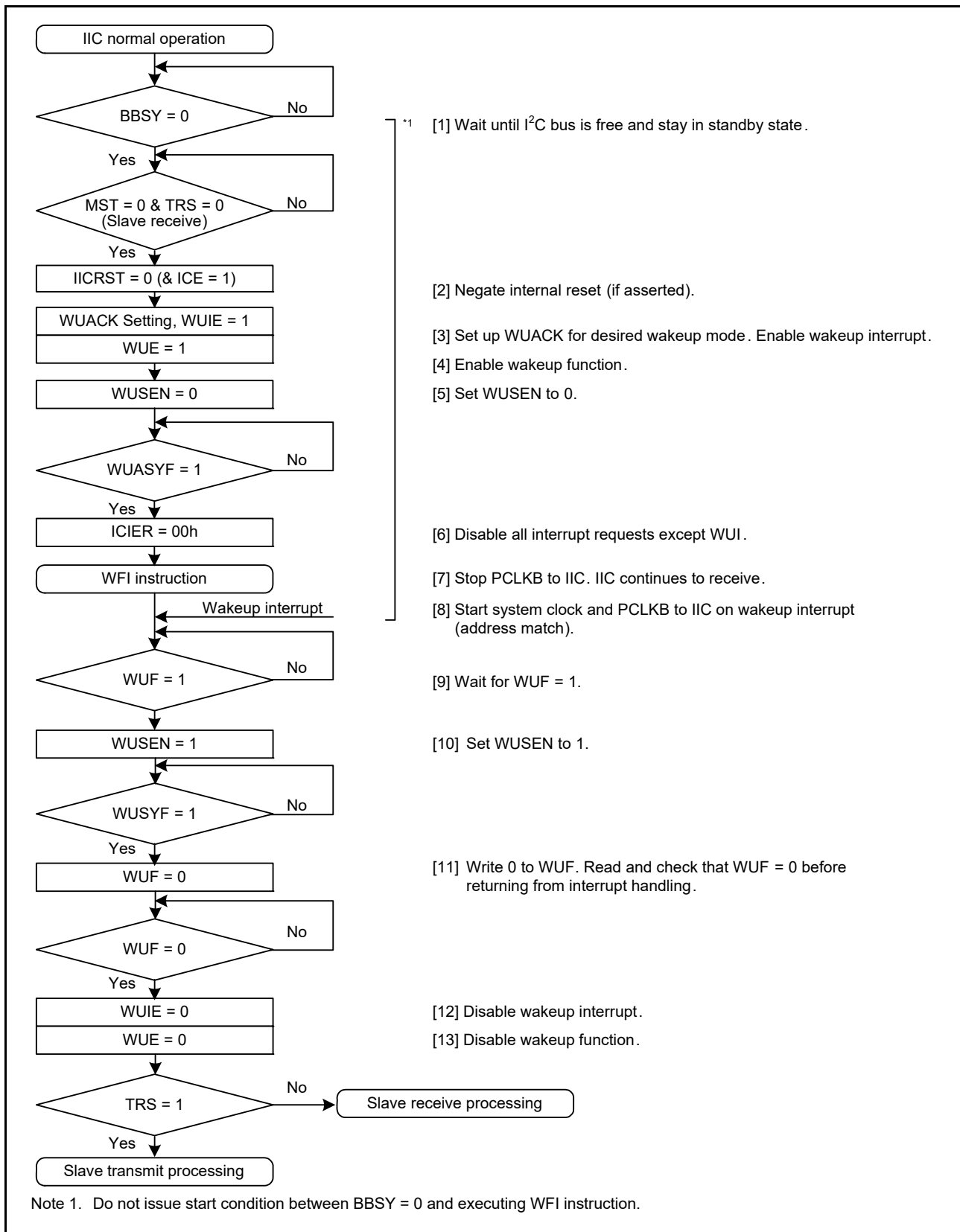


Figure 29.30 Example operation of normal wakeup mode 1 when wakeup is triggered by a wakeup interrupt on match of the slave address

Note: See [Precautions on the use of the wakeup function](#).

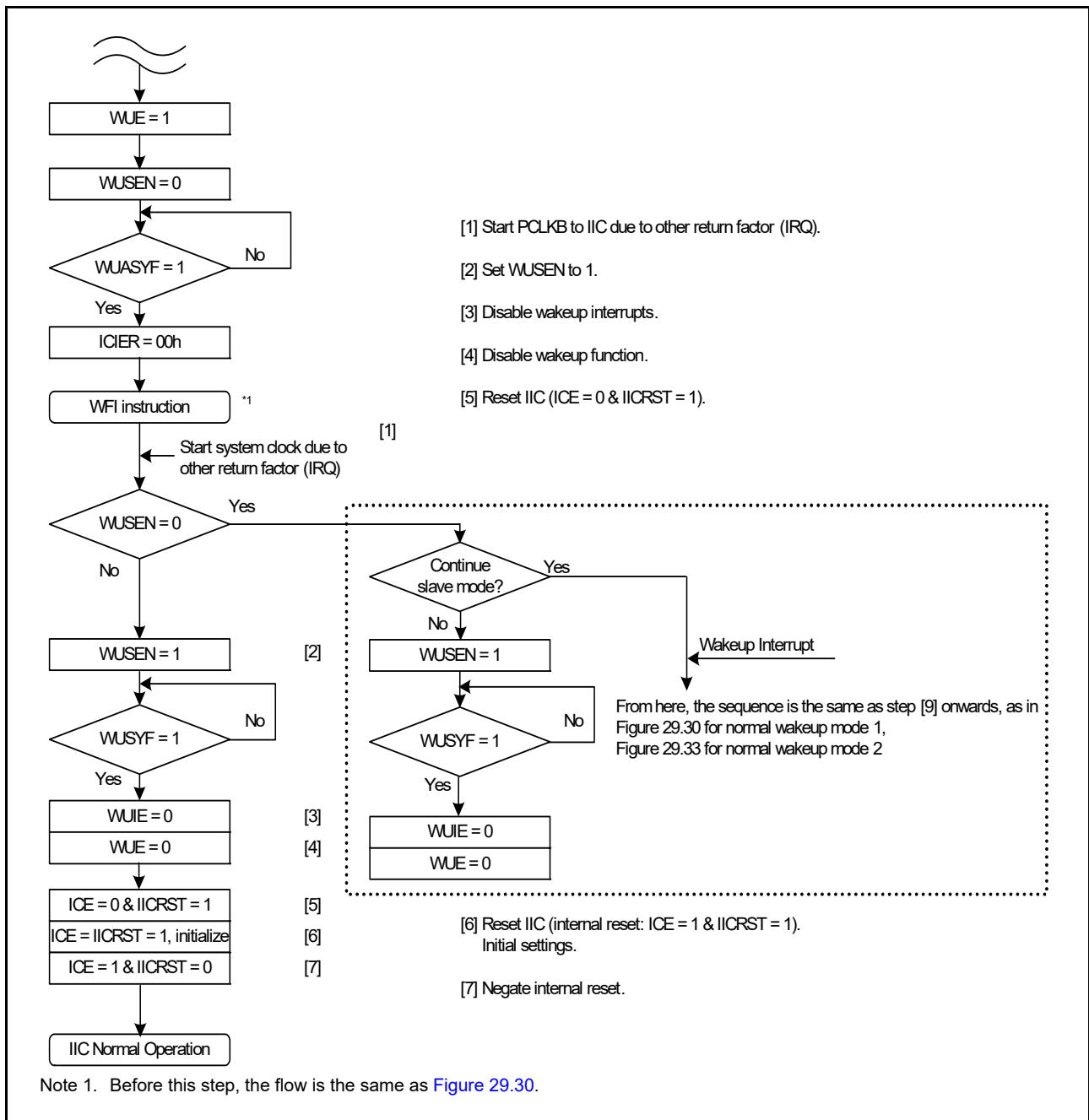


Figure 29.31 Example operation of normal wakeup modes 1 and 2 when wakeup by the interrupt (for example, IRQn) other than IIC wakeup interrupt

Note: For details on the IIC initial settings, see section 29.3.2, Initial Settings.

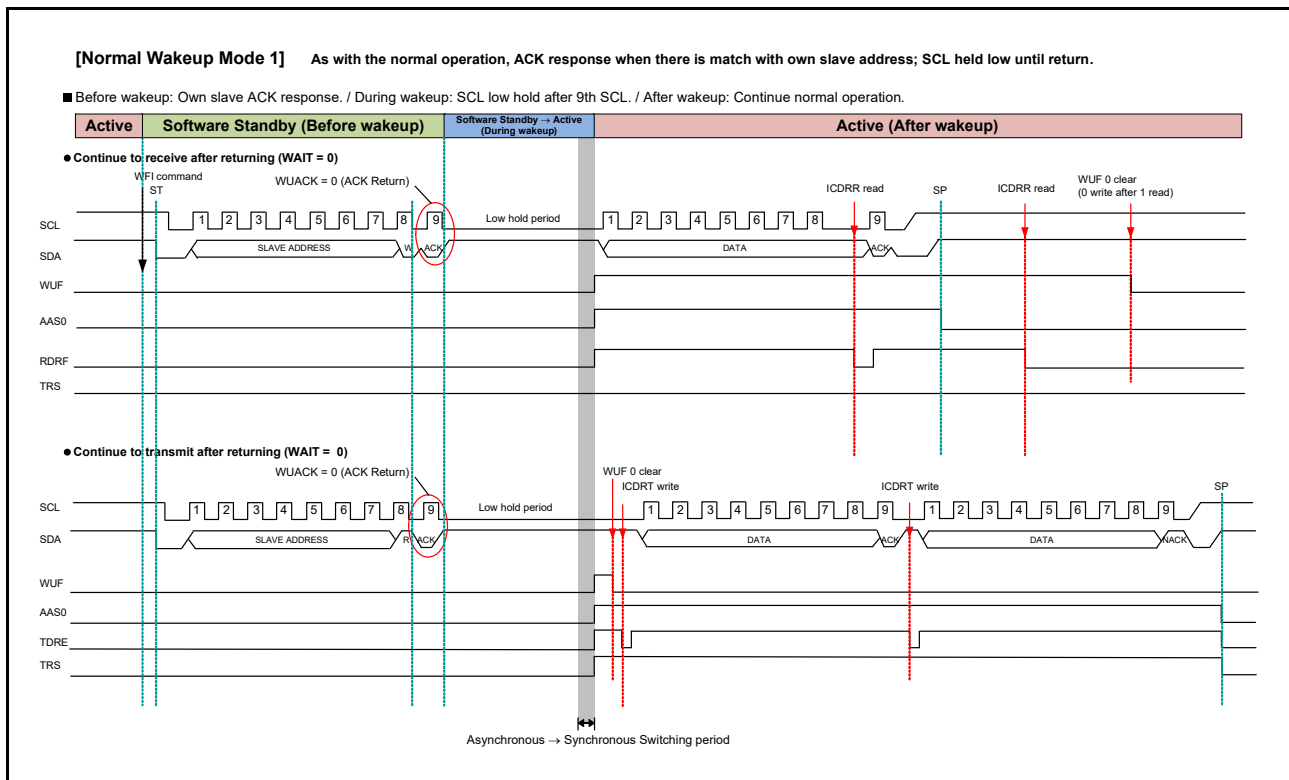


Figure 29.32 Timing of normal wakeup mode 1

29.8.2 Normal Wakeup Mode 2

This section describes the behavior, timing, and an example operation in normal wakeup mode 2.

In normal wakeup mode 2, a wakeup interrupt triggered by the match of the slave address initiates the transition to normal operation as follows:

- Before wakeup: No response to the data received with its own slave address until the end of the 8th SCL cycle.
- During wakeup: SCL line held low during the 8th and 9th clock cycles.
- After wakeup: ACK returns on the 9th clock cycle of SCL and normal operation continues.

If the slave address does not match, the SCL line is not held low after the 8th SCL clock cycle, and the slave operation continues.

For an example operation in normal wakeup mode 2, see [Figure 29.33](#). [Figure 29.34](#) shows the detailed timing.

If the transition from Software Standby mode is triggered by an interrupt other than a wakeup interrupt, for example, IRQ, the WUF flag is not set to 1. [Figure 29.31](#) shows an operation example.

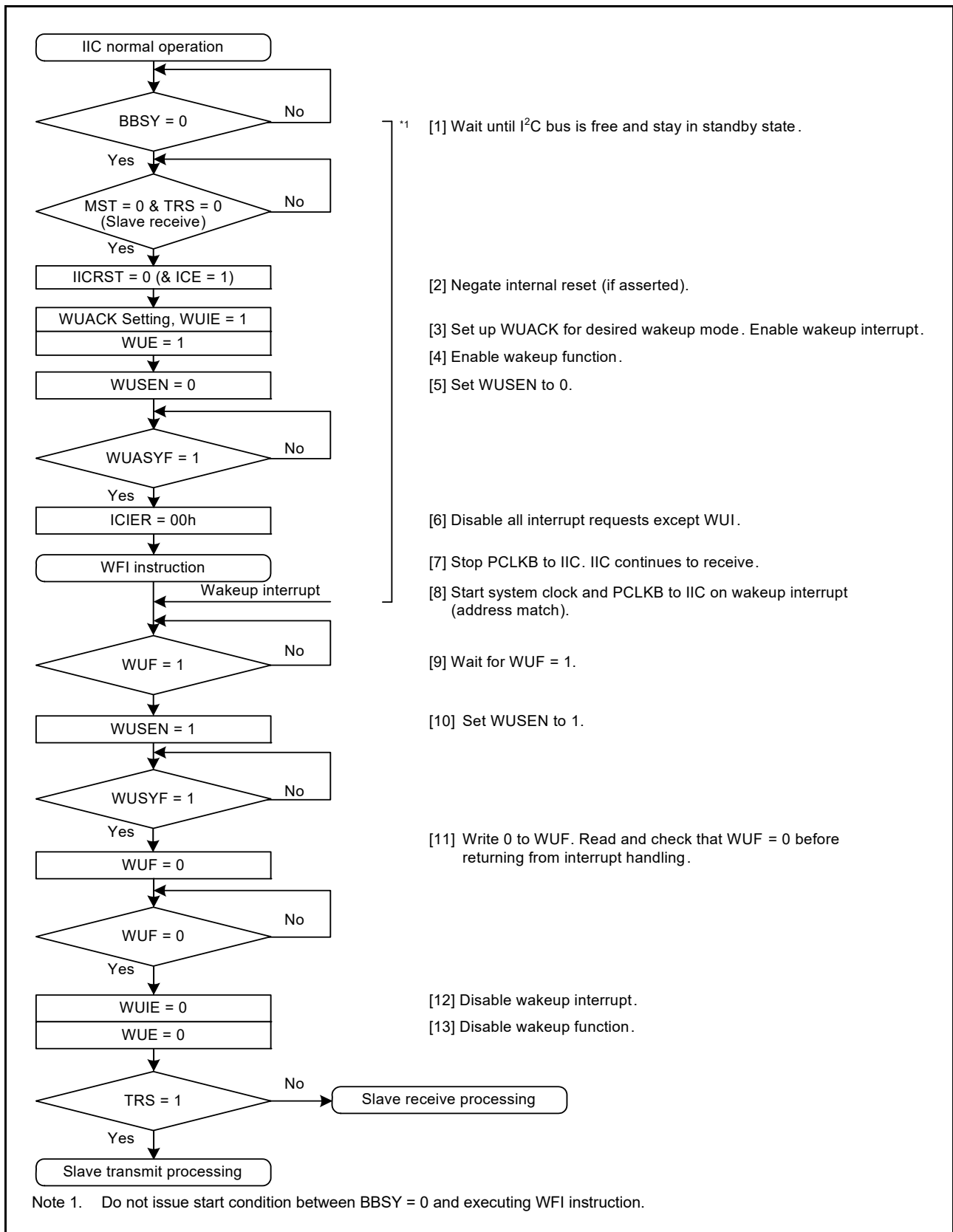


Figure 29.33 Example operation of normal wakeup mode 2 when wakeup is triggered by a wakeup interrupt on match of the slave address

Note: See [Precautions on the use of the wakeup function](#).

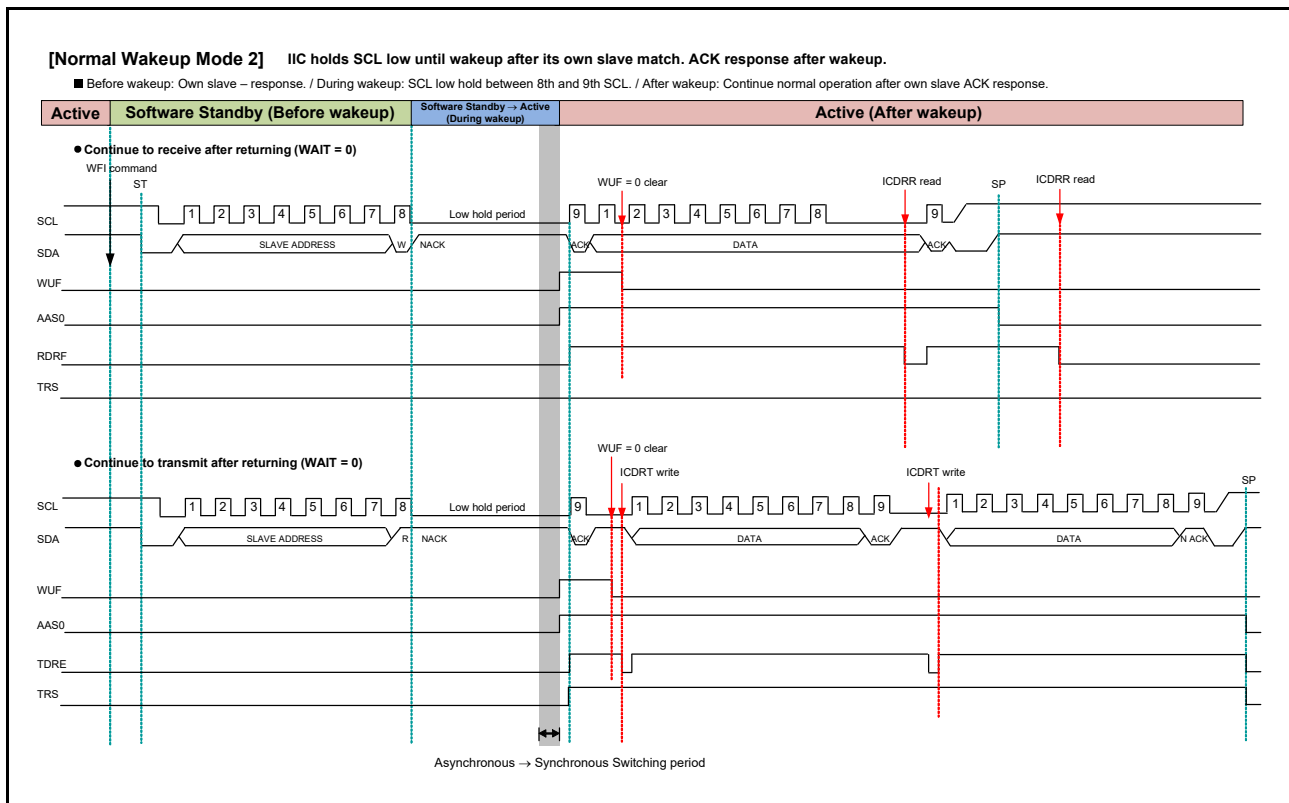


Figure 29.34 Timing of normal wakeup mode 2

29.8.3 Command Recovery Mode/ EEP Response Mode (Special Wakeup Mode)

In command recovery and EEP response modes, the SCL line is not held low during the wakeup period (after the rise of the 9th clock cycle of SCL). Therefore, the other I²C devices can use the I²C bus during this period.

This section describes the behavior, timing, and an example operation in command recovery and EEP response modes.

A wakeup interrupt triggered by the match of the slave address initiates the transition to normal operation as follows:

- Before wakeup: In response to the data received with its own slave address, the IIC returns ACK (command recovery mode) or NACK (EEP response mode).
- During wakeup: The SCL line is not held low.
- After wakeup: Normal operation continues after the IIC initialization.

If the slave address does not match, the slave operation continues.

Note: Because the SCL line is not held low during wakeup, transmission or reception of the data that follows the slave address is not possible.

Note: Command recovery mode and EEP response mode are internal reset (ICE = IICRST = 1) states. Therefore, the match of the slave address does not set the flags HOA, GCA, AAS0, AAS1, and AAS2 in ICSR1.

For an example operation in command recovery and EEP response modes, see [Figure 29.35](#). [Figure 29.37](#) shows the detailed timing.

If the transition from Software Standby mode is triggered by an interrupt other than a wakeup interrupt, such as IRQn for example, the WUF flag is not set to 1. [Figure 29.36](#) shows an operation example.

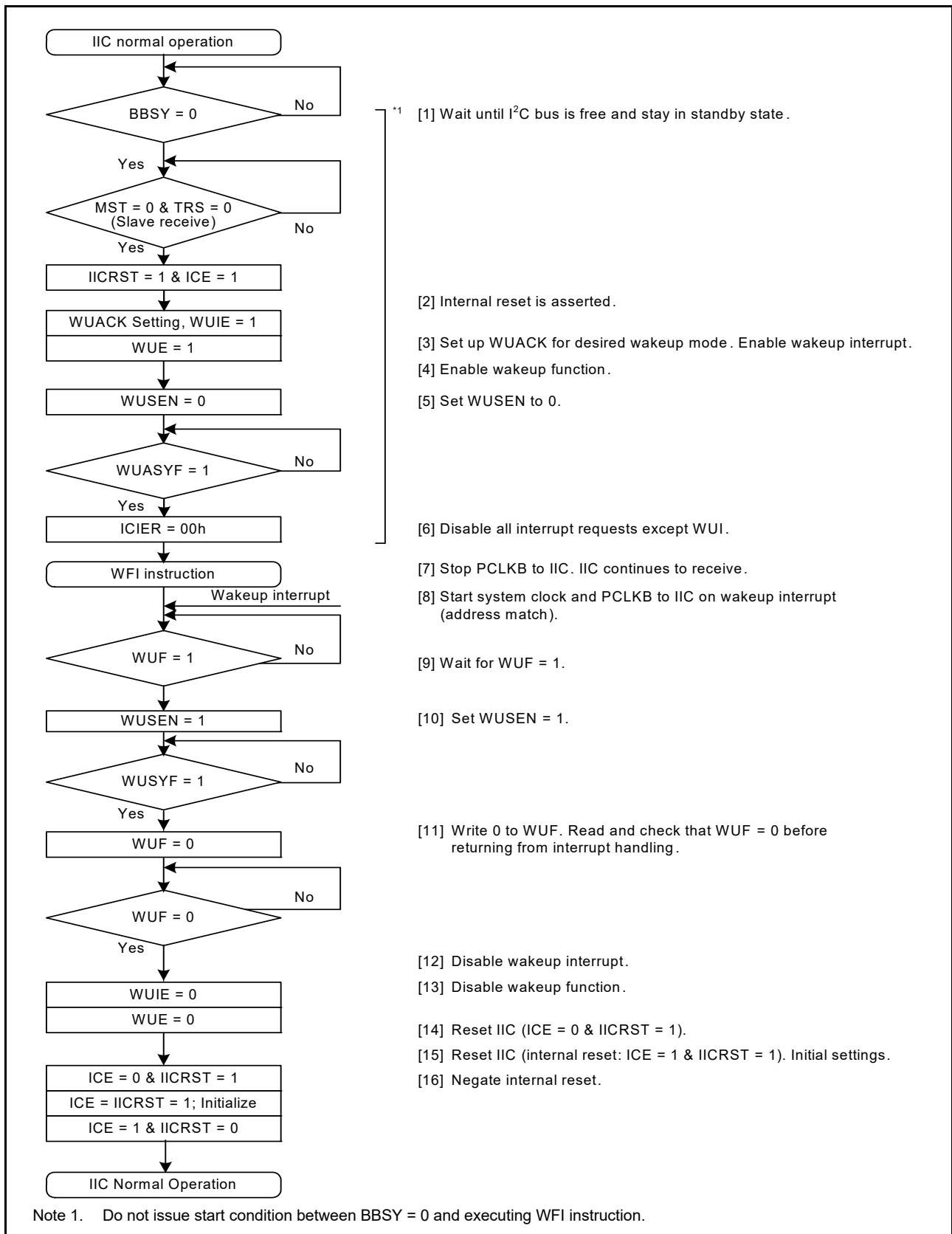


Figure 29.35 Example operation of command recovery and EEP response modes when wakeup is triggered by a wakeup interrupt on a match of the slave address

Note: See [Precautions on the use of the wakeup function](#).

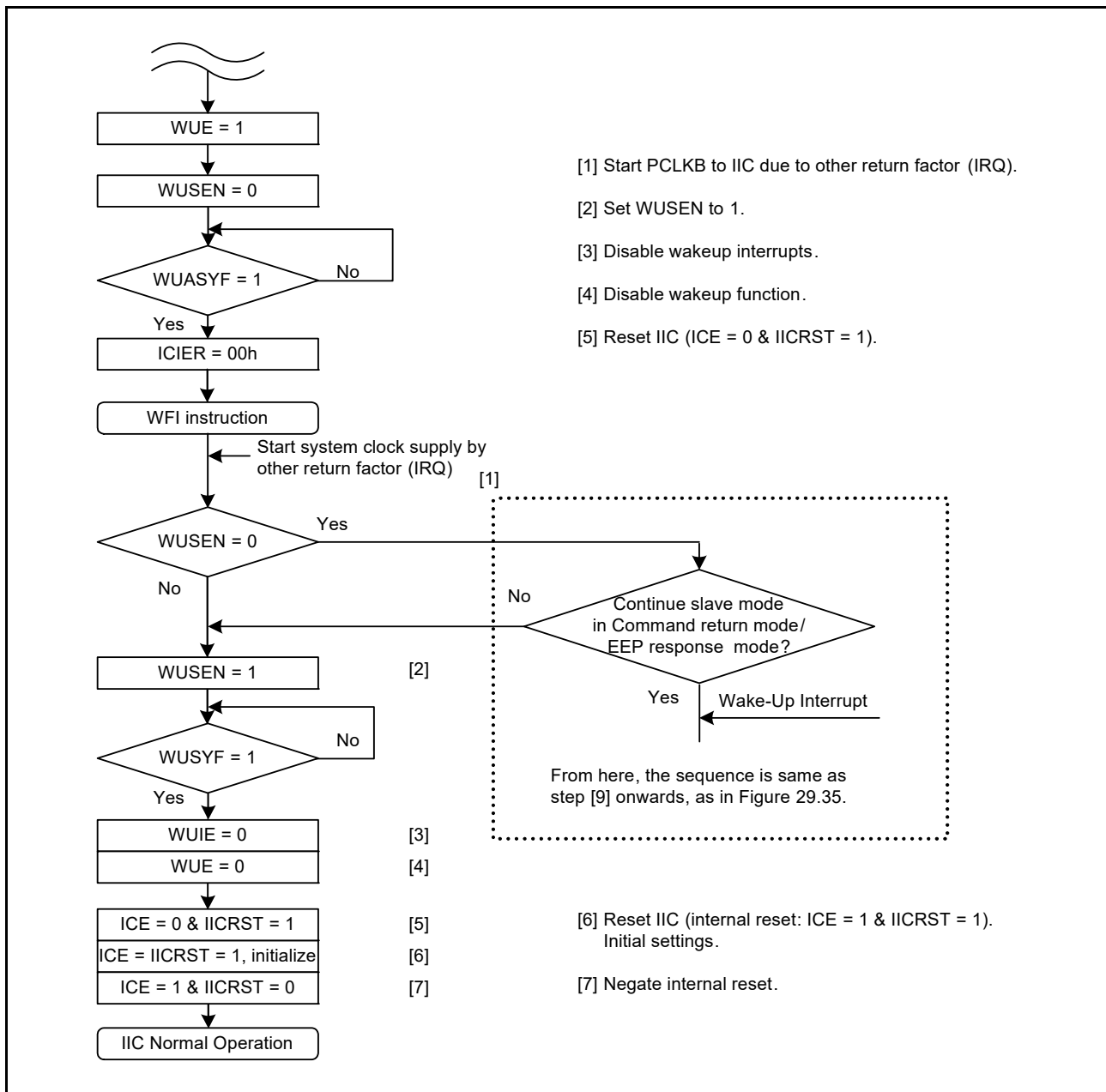


Figure 29.36 Example operation of command recovery and EEP response modes when wakeup is triggered by an interrupt other than IIC wakeup interrupt, for example, the IRQn

Note: For details on the IIC initial settings, see [section 29.3.2, Initial Settings](#).

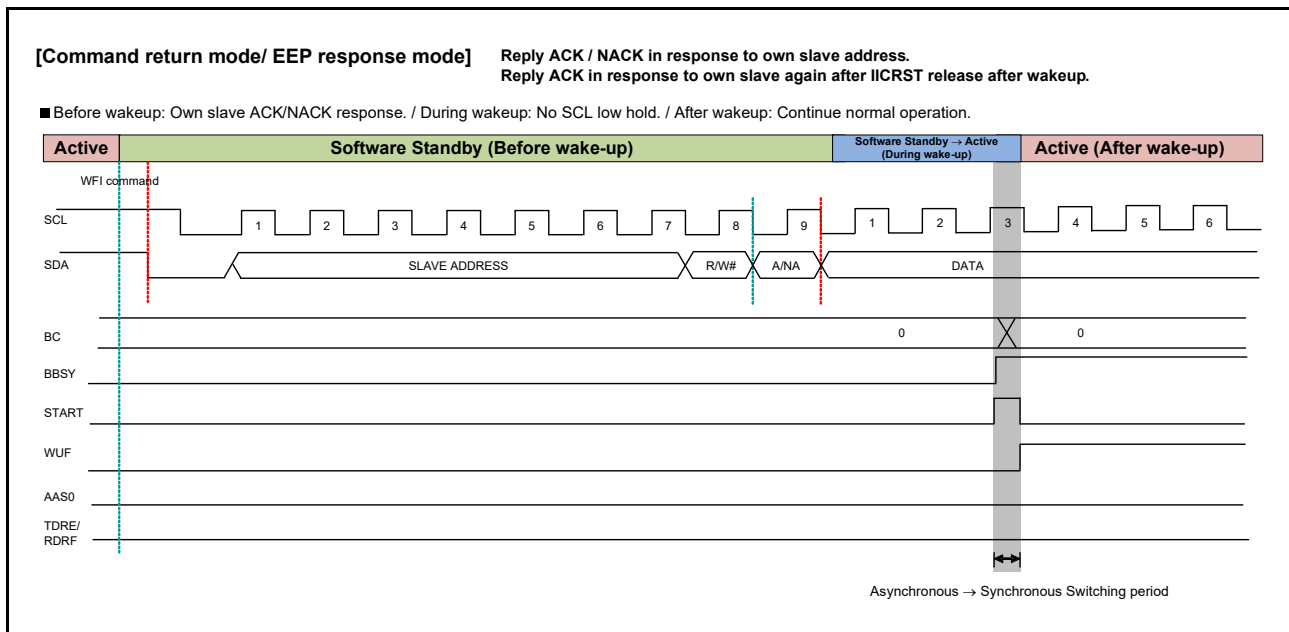


Figure 29.37 Timing of command recovery and EEP response modes

29.8.4 Precautions for WFI Instruction Execution

In the wakeup function examples shown in [Figure 29.30](#), [Figure 29.33](#), and [Figure 29.35](#), make sure that the start condition is not issued during the period from the setting of BBSY = 0 to the execution of the WFI instruction.

When a start condition is issued during this period, NACK is returned after the reception the first byte of the first data block. Detection of the start or restart condition then enables the wakeup function.

29.9 Automatic Low-Hold Function for SCL

29.9.1 Function to Prevent Wrong Transmission of Transmit Data

If the I²C Bus Shift Register (ICDRS) is empty when data has not been written to the I²C Bus Transmit Data Register (ICDRT) with the IIC in transmission mode (TRS bit = 1 in ICCR2), the SCL_n line is automatically held low over the subsequent intervals. This low-hold period is extended until the transmit data is written, which prevents the unintended transmission of erroneous data.

Master transmit mode:

- Low-level interval after a start condition or restart condition is issued
- Low-level interval between the 9th clock cycle of one transfer and the 1st clock cycle of the next.

Slave transmit mode:

- Low-level interval between the 9th clock cycle of one transfer and the 1st clock cycle of the next.

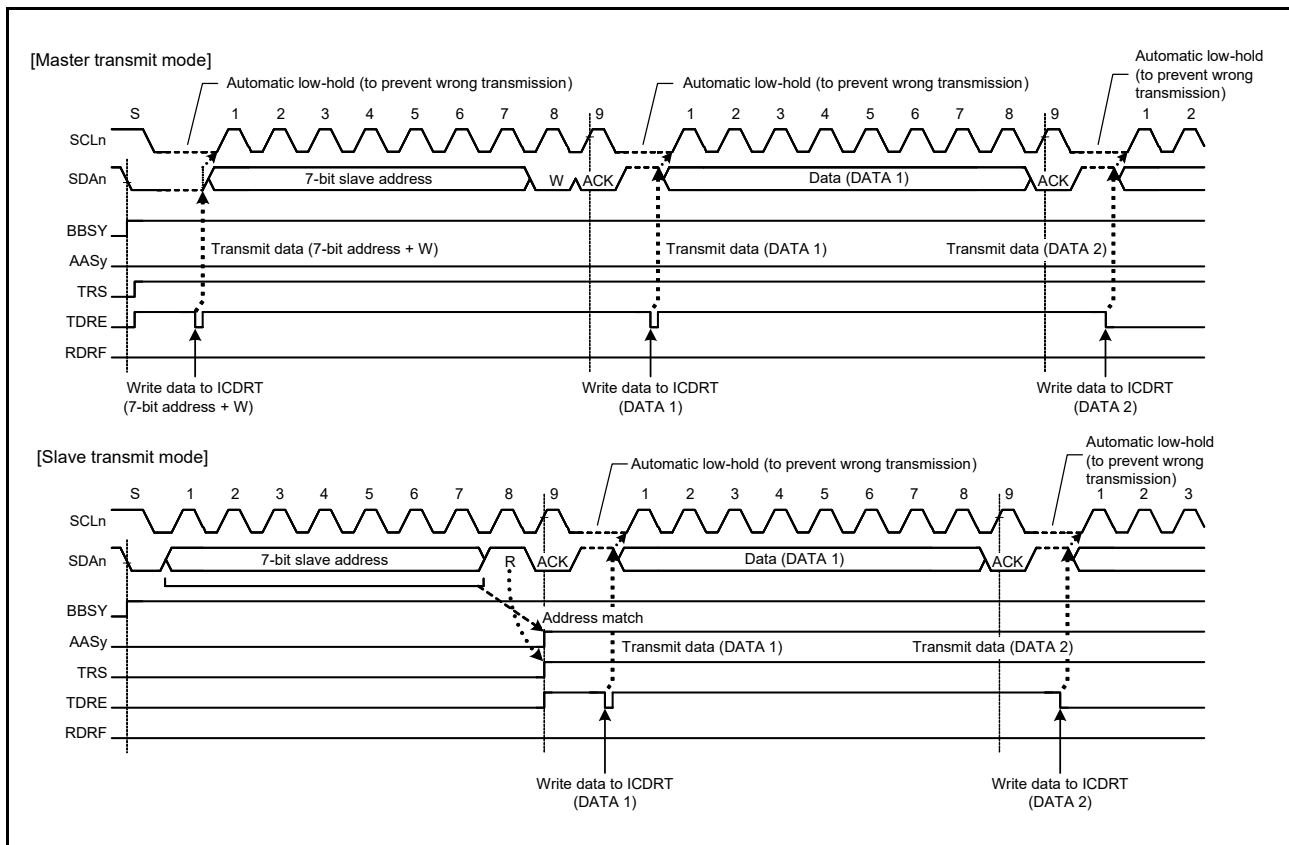


Figure 29.38 Automatic low-hold operation in transmit mode

29.9.2 NACK Reception Transfer Suspension Function

This function suspends transfer operation when NACK is received in transmit mode (ICCR2.TRS bit is 1). This function is enabled when the NACKE bit in ICFER is set to 1 (transfer suspension enabled). If the next transmit data is written (ICSR2.TDRE flag is 0) when the NACK is received, the next data transmission on the falling edge of the 9th SCL clock cycle is automatically suspended. This prevents the SDAn line output level from being held low when the MSB of the next transmit data is 0.

If the transfer operation is suspended by this function (ICSR2.NACKF flag is 1), transmit and receive operations are discontinued. To restore transmit and receive operations, set the NACKF flag to 0. In master transmit mode, after issuing a restart or stop condition, set the NACKF flag to 0, and then issue a start condition again.

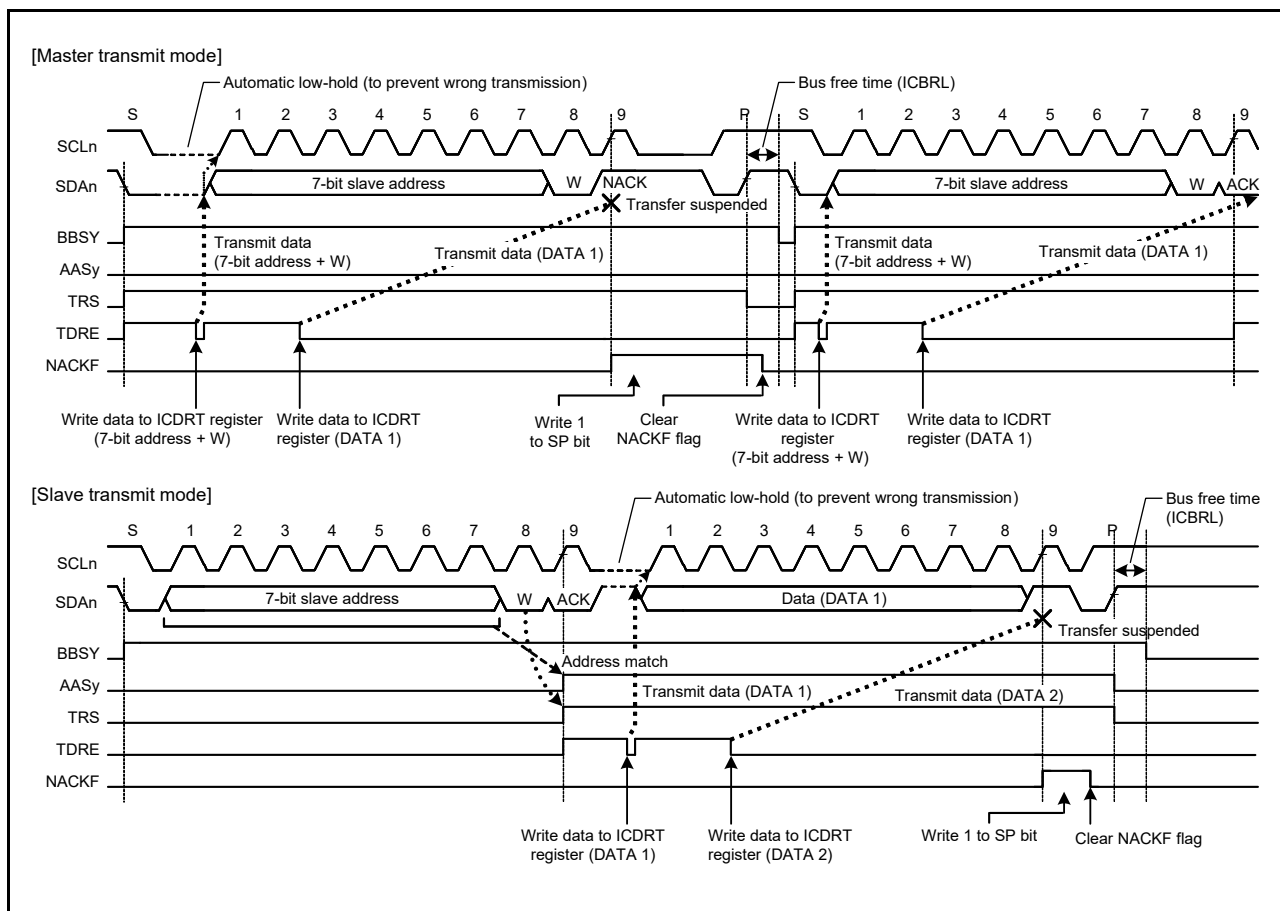


Figure 29.39 Suspension of data transfer when NACK is received (NACK = 1)

29.9.3 Function to Prevent Failure to Receive Data

If response processing when receive data (ICDRR) read is delayed for a period of one transfer frame or more with receive data full (ICSR2.RDRF flag = 1) in receive mode (ICCR2.TRS = 0), the IIC holds the SCLn line low automatically immediately before the next data is received to prevent failure to receive data.

This function is also enabled even if the read processing of the final receive data is delayed and, in the meantime, the IIC slave address is designated after a stop condition is issued. This function does not interfere other communication because the IIC does not hold the SCLn line low when a mismatch with its own slave address occurs after a stop condition is issued.

Periods in which the SCLn line is held low can be selected with a combination of the WAIT and RDRFS bits in the ICMR3 register.

(1) 1-byte receive operation and automatic low-hold function using the WAIT bit

When the WAIT bit in the ICMR3 register is set to 1, the IIC performs a 1-byte receive operation using the WAIT bit function. Additionally, when the ICMR3.RDRFS bit is 0, the IIC automatically sends the ICMR3.ACKBT bit value for the acknowledge bit in the period from the falling edge of the 8th SCL clock cycle to the falling edge of the 9th SCL clock cycle, and automatically holds the SCLn line low on the falling edge of the 9th SCL clock cycle using the WAIT bit function. This low-hold is released by reading data from the ICDRR register, which enables byte-wise receive operation.

The WAIT bit function is enabled for receive frames after a match with the IIC slave address, including the general call address and host address, is obtained in master receive mode or slave receive mode.

(2) 1-byte receive operation (ACK/NACK transmission control) and automatic low-hold function using RDRFS bit

When the RDRFS bit in ICMR3 is set to 1, the IIC performs a 1-byte receive operation using the RDRFS bit function.

When the RDRFS bit is set to 1, the RDRF flag (receive data full) in ICSR2 is set to 1 on the rising edge of the 8th SCL clock cycle, and the SCLn line is automatically held low on the falling edge of the 8th SCL clock cycle. This low-hold is released by writing a value to the ACKBT bit in ICMR3, but cannot be released by reading data from ICDRR, which enables receive operation by the ACK/NACK transmission control based on the data received in byte units.

The RDRFS bit function is enabled for receive frames after a match with the IIC slave address, including the general call address and host address, is obtained in master receive mode or slave receive mode.

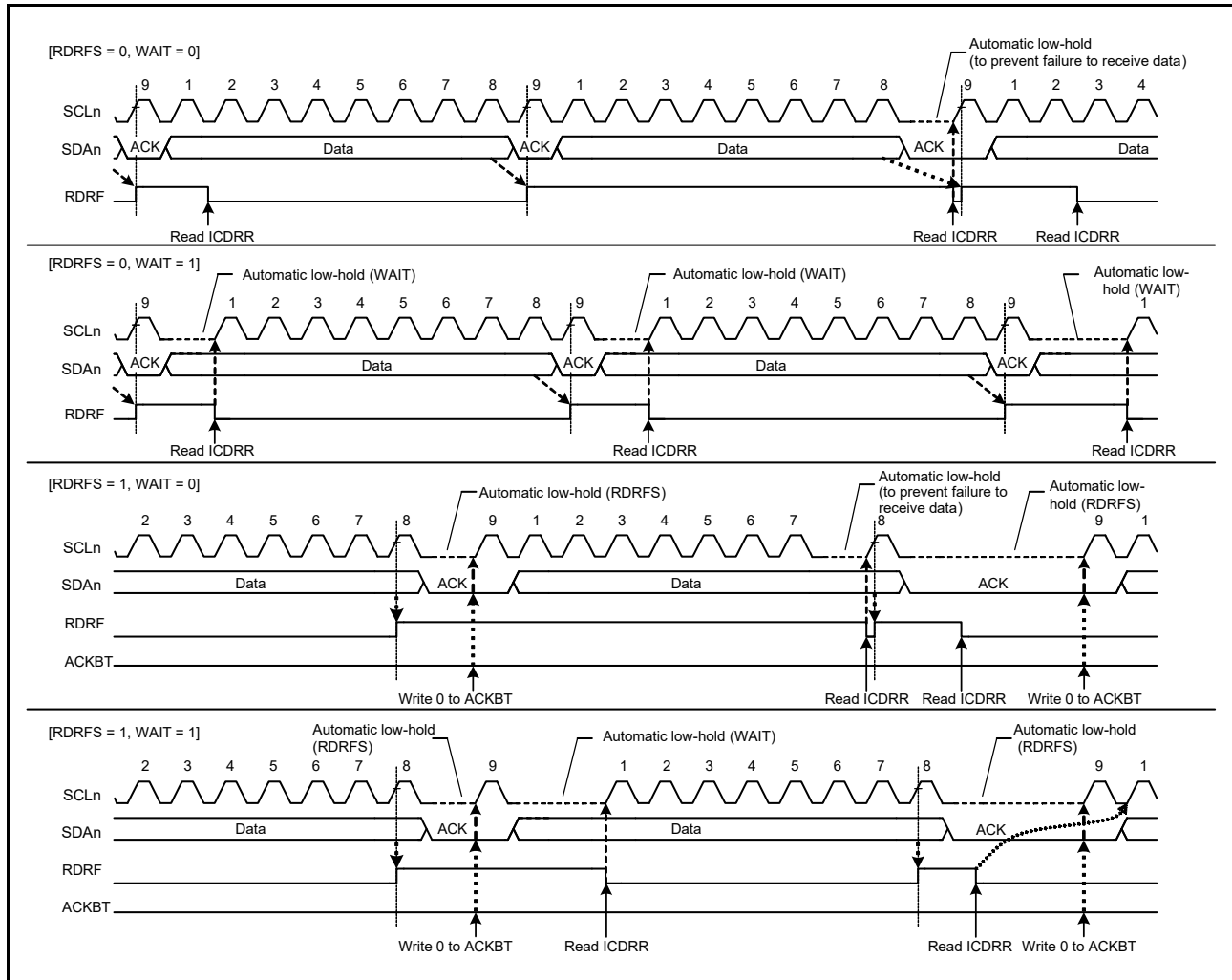


Figure 29.40 Automatic low-hold operation in receive mode using RDRFS and WAIT bits

29.10 Master Arbitration-Lost Detection Functions

In addition to the normal arbitration-lost detection function defined by the I²C bus standard, the IIC has functions to prevent double-issue of a start condition, detect arbitration-lost during transmission of NACK, and detect arbitration-lost in slave transmit mode.

29.10.1 Master Arbitration-Lost Detection (MALE Bit)

The IIC drives the SDA_n line low to issue a start condition. However, if the SDA_n line was already driven low by another master device issuing a start condition, the IIC regards its own issuing of a start condition as an error and considers this a loss in arbitration. Priority is given to transfer by the other master device. Similarly, if a request to issue a start condition is made by setting the ST bit in ICCR2 to 1 while the bus is busy (BBSY flag = 1 in ICCR2), the IIC regards this as a double-issuing-of-start-condition error and considers itself to have lost in arbitration. This prevents a failure of transfer resulting from a start condition issued while transfer is in progress.

When a start condition is issued successfully, if the transmit data including the address bits (internal SDA output level) and the level on the SDA_n line do not match, the IIC loses in arbitration.

After a loss in arbitration of mastership, the IIC immediately enters slave receive mode. If a slave address, including the general call address, matches its own address at this time, the IIC continues in slave operation.

A loss in arbitration of mastership is detected when the following conditions are met while the MALE bit in ICFER is 1 (master arbitration-lost detection enabled).

[Master arbitration-lost conditions]

- Mismatching of the internal level for output on SDA and the level on the SDA_n line after a start condition was issued by setting the ST bit in ICCR2 to 1 while the BBSY flag in ICCR2 is set to 0 (erroneous issuing of a start condition)
- Setting of the ST bit in ICCR2 to 1 (start condition double-issue error) while the BBSY flag is set to 1
- When the transmit data excluding acknowledge (internal SDA output level) does not match the level on the SDA_n line in master transmit mode (MST and TRS bits = 11b in ICCR2).

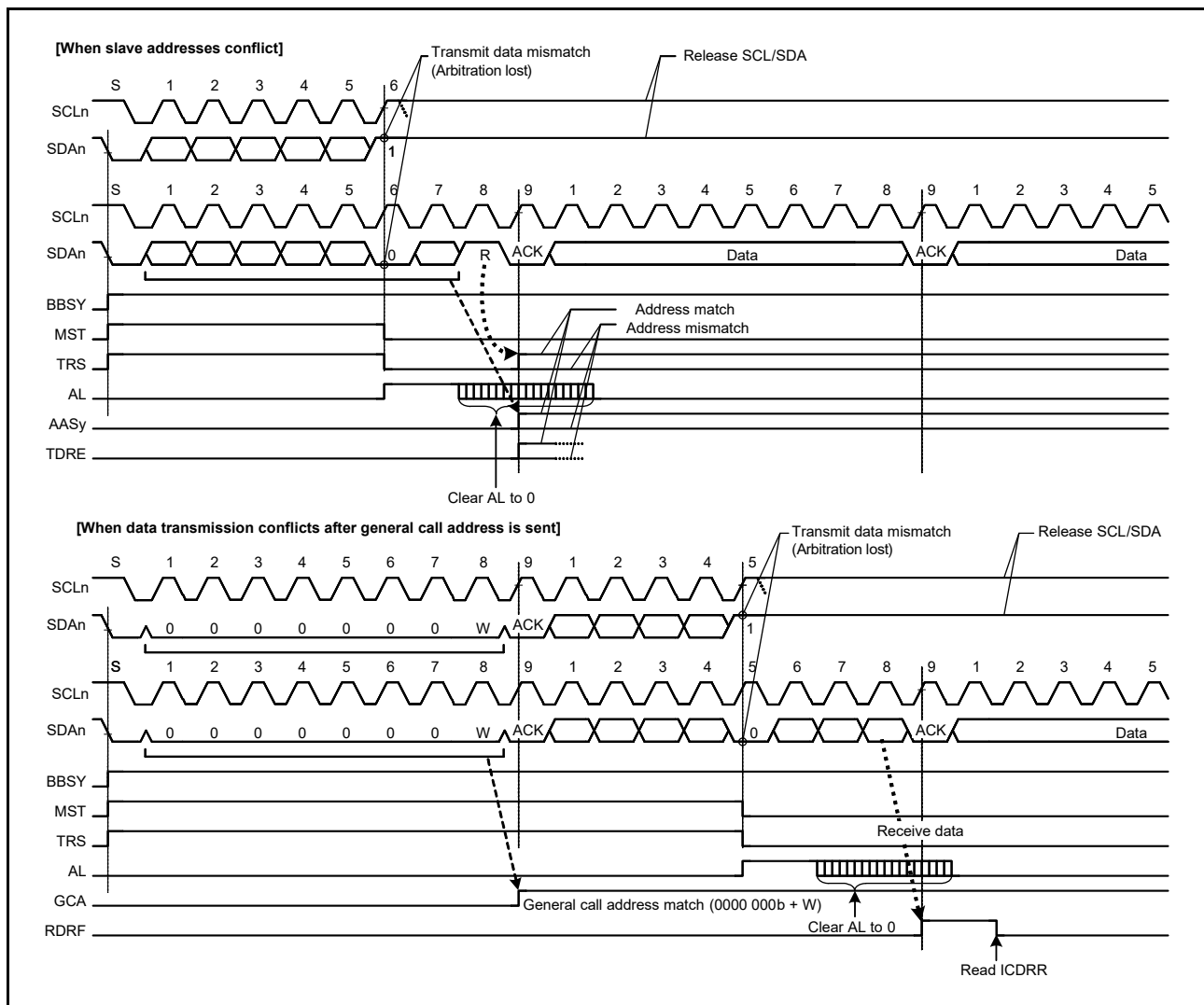


Figure 29.41 Examples of master arbitration-lost detection (MALE = 1)

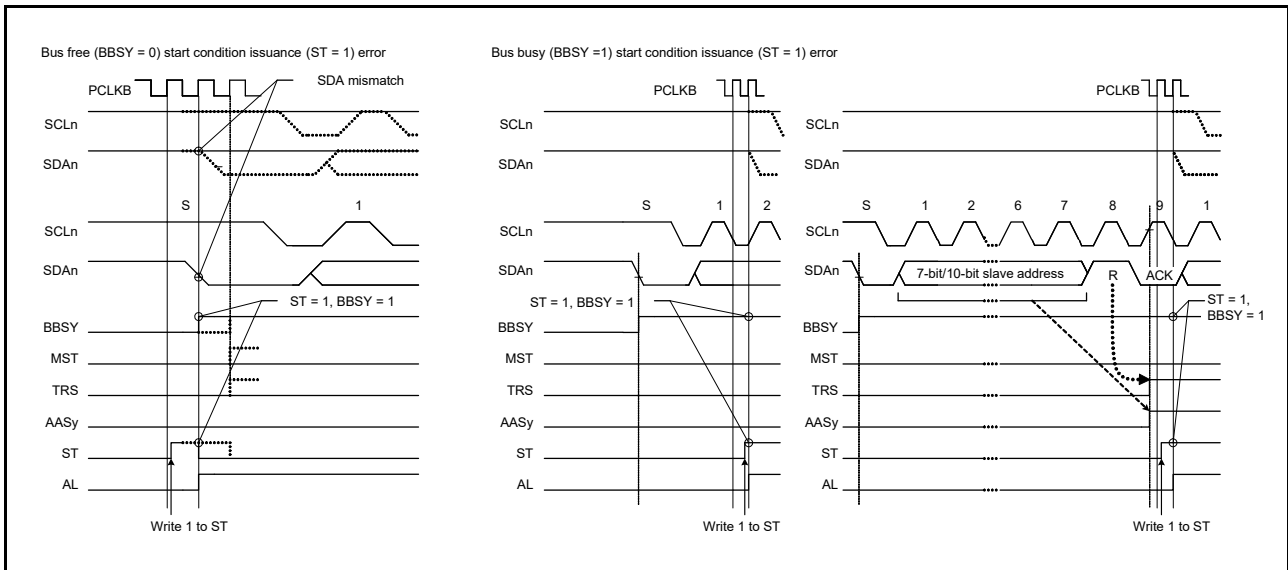


Figure 29.42 Arbitration-lost when start condition is issued (MALE = 1)

29.10.2 Function to Detect Loss of Arbitration during NACK Transmission (NALE Bit)

This function causes arbitration to be lost if the internal SDA output level does not match the level on the SDA n line during transmission of NACK in receive mode. Arbitration is lost because of a conflict between NACK and ACK transmissions when two or more master devices receive data from the same slave device simultaneously in a multi-master system. Such conflict occurs when multiple master devices send or receive the same information through a single slave device. Figure 29.43 shows an example of arbitration-lost detection during transmission of NACK.

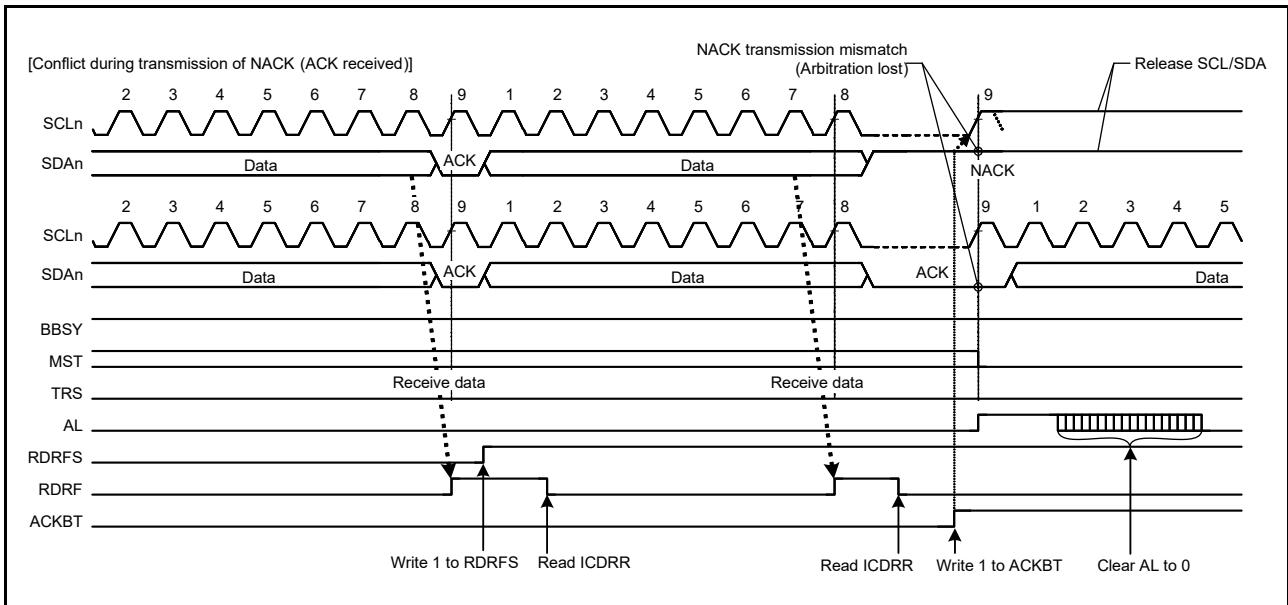


Figure 29.43 Example of arbitration-lost detection during transmission of NACK (NALE = 1)

The following description explains arbitration-lost detection using an example where two master devices (master A and master B) and a single slave device are connected through the bus. In this example, master A receives 2 bytes of data from the slave device, and master B receives 4 bytes of data from the slave device.

If master A and master B access the slave device simultaneously, because the slave address is identical, arbitration is not lost in either master A and master B during access to the slave device. Therefore, both master A and master B recognize that they have obtained the bus mastership and operate as such. Master A sends NACK when it has received 2 final bytes of data from the slave device. Meanwhile, master B sends ACK because it has not received the required 4 bytes of data.

The NACK transmission from master A and the ACK transmission from master B conflict. In general, if a conflict like this occurs, master A cannot detect ACK transmitted by master B and issues a stop condition. Therefore, the stop condition issue conflicts with the SCL clock output of master B, which disrupts communication.

When the IIC receives ACK during transmission of NACK, it detects a defeat in conflict with other master devices and causes arbitration to be lost. If arbitration is lost during transmission of NACK, the IIC immediately cancels the slave match condition and enters slave receive mode. This prevents a stop condition from being issued, preventing a communication failure on the bus.

Similarly, in the ARP command processing of SMBus, the function to detect loss of arbitration during transmission of NACK is also available for eliminating the extra clock cycle processing, such as FFh transmission processing, which is required if the UDID (Unique Device Identifier) of the assigned address does not match in the Get UDID general processing after the Assign Address command.

The IIC detects arbitration-lost during transmission of NACK when the following condition is met with the NALE bit in ICFER set to 1 (arbitration-lost detection during NACK transmission enabled).

[Condition for arbitration-lost during NACK transmission]

- When the internal SDA output level does not match the SDA line (ACK is received) during transmission of NACK (ACKBT bit = 1 in ICMR3).

29.10.3 Slave Arbitration-Lost Detection (SALE Bit)

This function causes arbitration to be lost if the transmit data and the level on the SDA line do not match in slave transmit mode. This arbitration-lost detection function is mainly used when transmitting a UDID (Unique Device Identifier) over an SMBus.

When the IIC loses slave arbitration, the IIC is immediately released from the slave-matched state and enters slave receive mode. This function can detect conflicts of data during transmission of UDIDs over an SMBus and eliminates subsequent redundant processing, that is processing for the transmission of FFh.

The IIC detects slave arbitration-lost when the following condition is met with the SALE bit in ICFER set to 1 (slave arbitration-lost detection enabled).

[Condition for slave arbitration-lost]

- When transmit data excluding acknowledge (internal SDA output level) does not match the SDA line in slave transmit mode (MST and TRS bits = 01b in ICCR2).

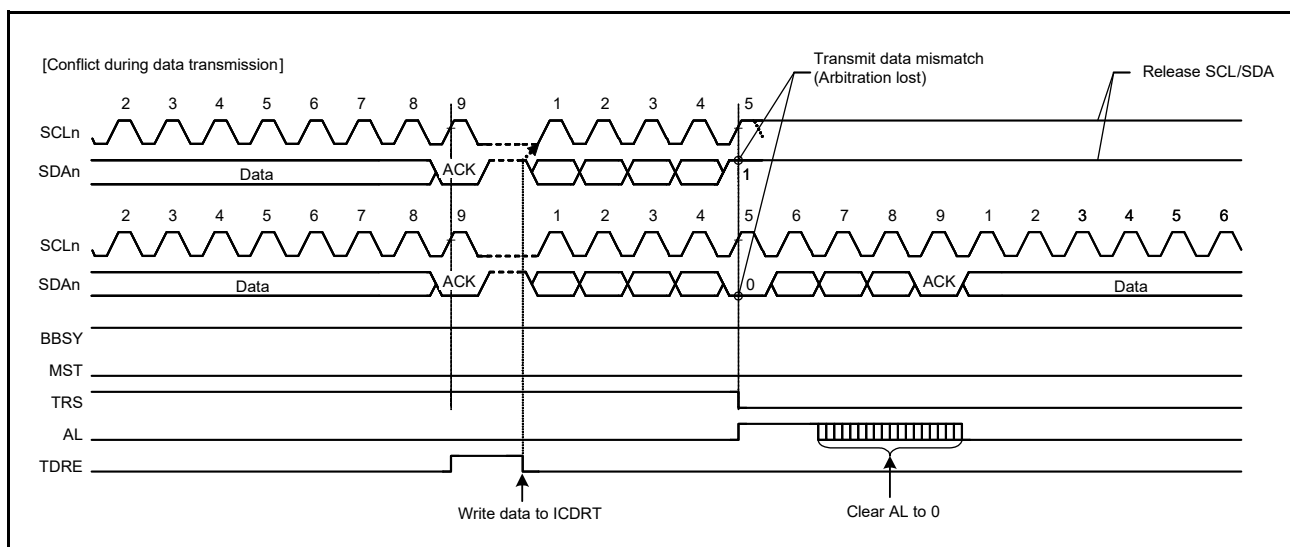


Figure 29.44 Example of slave arbitration-lost detection (SALE = 1)

29.11 Start, Restart, and Stop Condition Issuing Function

29.11.1 Issuing a Start Condition

The IIC issues a start condition when the ST bit in ICCR2 is set to 1.

When the ST bit is set to 1, a start condition issuance request is made, and the IIC issues a start condition when the BBSY flag in ICCR2 is 0 (bus free state). When a start condition is issued normally, the IIC automatically shifts to the master transmit mode.

To issue a start condition:

1. Drive the SDA_n line low (high level to low level).
2. Ensure the time set in ICBRH and the start condition hold time elapse.
3. Drive the SCL_n line low (high level to low level).
4. Detect low level of the SCL_n line and ensure that the low-level period of the SCL_n line set in ICBRL elapses.

29.11.2 Issuing a Restart Condition

The IIC issues a restart condition when the RS bit in ICCR2 is set to 1.

When the RS bit is set to 1, a restart condition issuance request is made and the IIC issues a restart condition when the BBSY flag in ICCR2 is 1 (bus busy state) and the MST bit in ICCR2 is 1 (master mode).

To issue a restart condition:

1. Release the SDA_n line.
2. Ensure the low-level period of the SCL_n line set in ICBRL elapses.
3. Release the SCL_n line (low level to high level).
4. Detect a high level of the SCL_n line and ensure that the time set in ICBRL and the restart condition setup time elapse.
5. Drive the SDA_n line low (high level to low level).
6. Ensure the time set in ICBRH and the restart condition hold time elapse.
7. Drive the SCL_n line low (high level to low level).
8. Detect a low level of the SCL_n line and ensure the low-level period of SCL_n line set in ICBRL elapses.

Note: When issuing restart condition requests, write the slave address to ICDRT after confirming that ICCR2.RS = 0. Data written in the period of ICCR2.RS = 1 is not forwarded because of the retransmission condition before the occurrence.

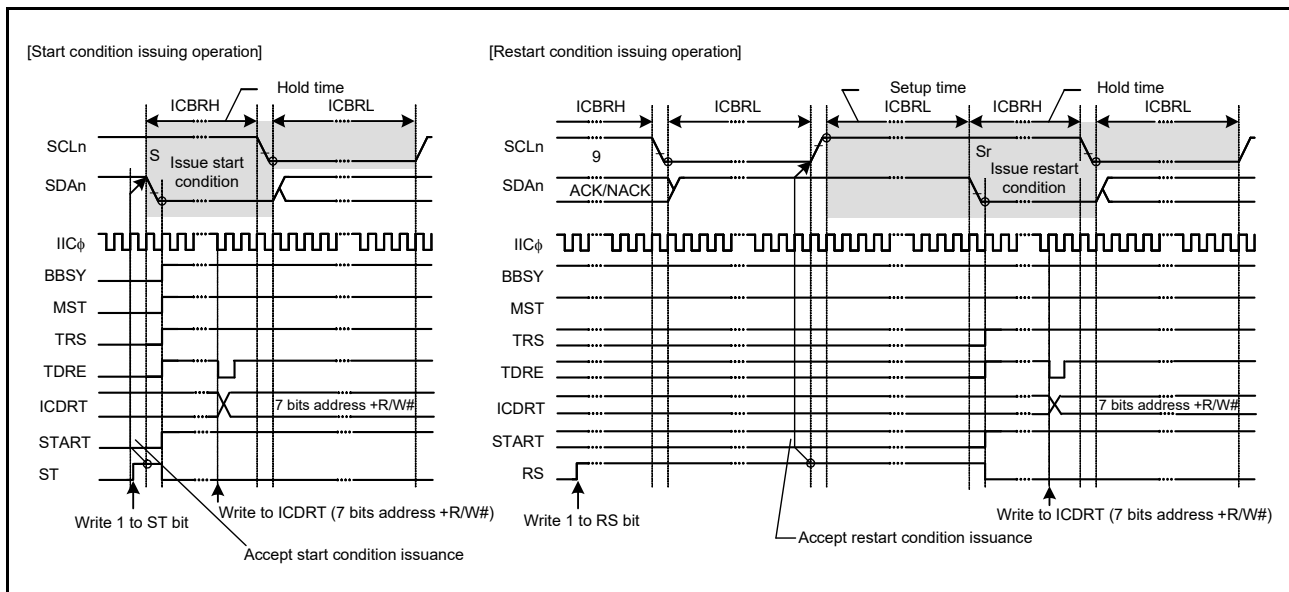


Figure 29.45 Start or restart condition issue timing using the ST and RS bits

Figure 29.46 shows the operation timing when a restart condition is issued after the master transmission.

To issue a restart condition after the master transmission:

1. Initialize the IIC using the details provided in [section 29.3.2, Initial Settings](#).
2. Read the BBSY flag in IICR2 to check that the bus is free, and then set the ICCR2.ST bit to 1 (start condition request). On receiving the request, the IIC issues a start condition. At the same time, the ICSR2.BBSY and ICSR2.START flags are automatically set to 1 and the ST bit automatically sets to 0. If the start condition is detected and the internal levels for the SDA output state and the levels on the SDA_n line match while the ST bit is 1, the IIC recognizes that a start condition is successfully issued as requested by the ST bit. The MST and TRS bits in ICCR2 automatically set to 1, placing the IIC in master transmit mode. The TDRE flag in ICSR2 also automatically sets to 1 when the TRS bit is set to 1.
3. Check that the ICSR2.TDRE flag is 1, and then write the value for transmission (the slave address and the R/W# bit) to ICDRT. After the transmit data is written to ICDRT, the TDRE flag automatically sets to 0, the data is transferred from ICDRT to ICDRS, and the TDRE flag is again set to 1. After the byte containing the slave address and R/W# bit is transmitted, the value of the TRS bit is automatically updated to select master transmit or master receive mode according to the value of the transmitted R/W# bit. If the value of the R/W# bit is 0, the IIC continues in master transmit mode. If the ICSR2.NACKF flag is 1 at this time, indicating that no slave device recognized the address or there was an error in communications, write 1 to the ICCR2.SP bit to issue a stop condition.

To transmit data with an address in the 10-bit format, start by writing 1111 0b, the 2 upper bits of the slave address, and W to ICDRT as the first address transmission. Then, as the second address transmission, write the 8 lower bits of the slave address to the ICDRT register.

4. After confirming that the TDRE flag in ICSR2 is 1, write the data for transmission to the ICDRT register. The IIC automatically holds the SCL_n line low until the data for transmission are ready, a restart condition or a stop condition is issued.
5. After all bytes of data for transmission are written to the ICDRT register, wait until the value of the ICSR2.TEND flag returns to 1. Then, after checking that the ICSR2.START flag is 1, set the ICSR2.START flag to 0.
6. Set the ICCR2.RS bit to 1 (restart condition issue request). On receiving the request, the IIC issues a restart condition.
7. After checking that the ICSR2.START flag is 1, write the value for transmission (the slave address and the R/W# bit) to the ICDRT register.

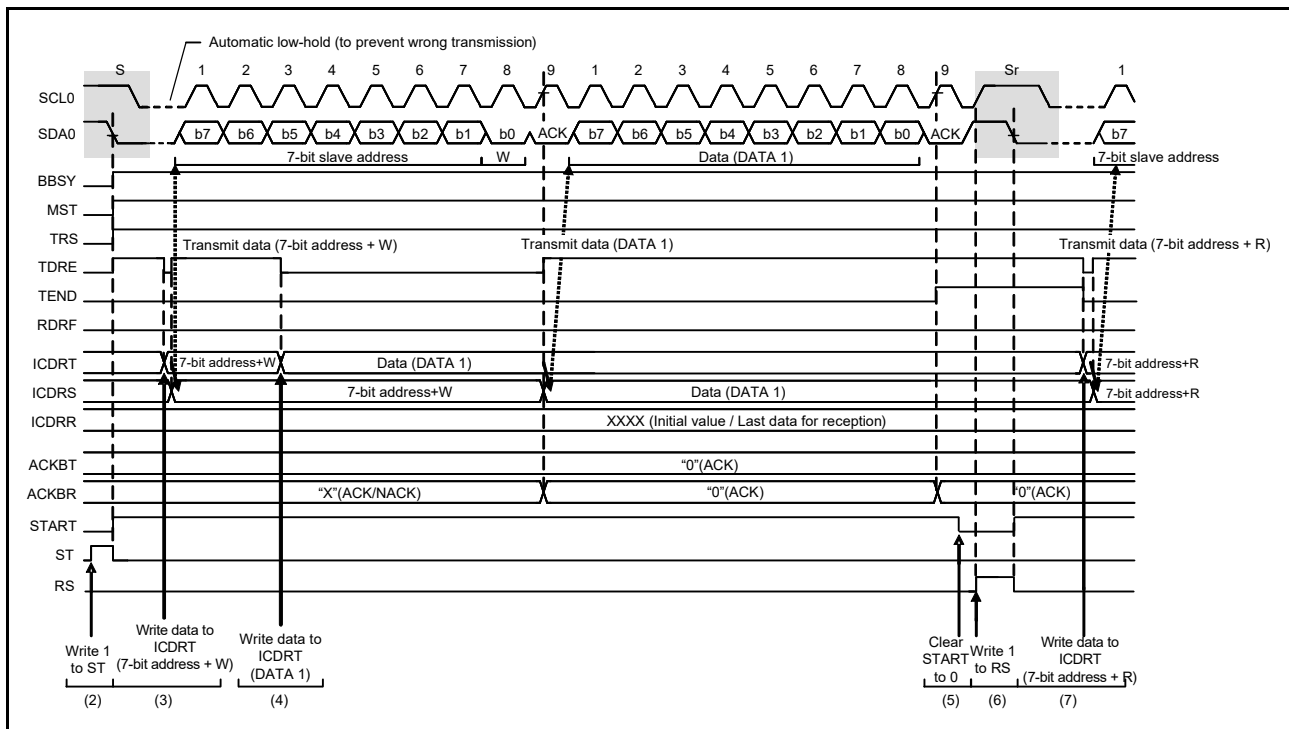


Figure 29.46 Restart condition issue timing after master transmission

29.11.3 Issuing a Stop Condition

The IIC issues a stop condition when the SP bit in ICCR2 is set to 1.

When the SP bit is set to 1, a stop condition request is made. The IIC issues a stop condition when the ICCR2.BBSY flag is 1 (bus busy state) and the ICCR2.MST bit is 1 (master mode).

To issue a stop condition:

1. Drive the SDA_n line low (high level to low level).
2. Ensure the low-level period of the SCL_n line set in ICBRL elapses.
3. Release the SCL_n line (low level to high level).
4. Detect a high level of the SCL_n line and ensure that the time set in ICBRH and the stop condition setup time elapse.
5. Release the SDA_n line (low level to high level).
6. Ensure the time set in ICBRL and the bus free time elapse.
7. Clear the BBSY flag to 0 to release the bus mastership.

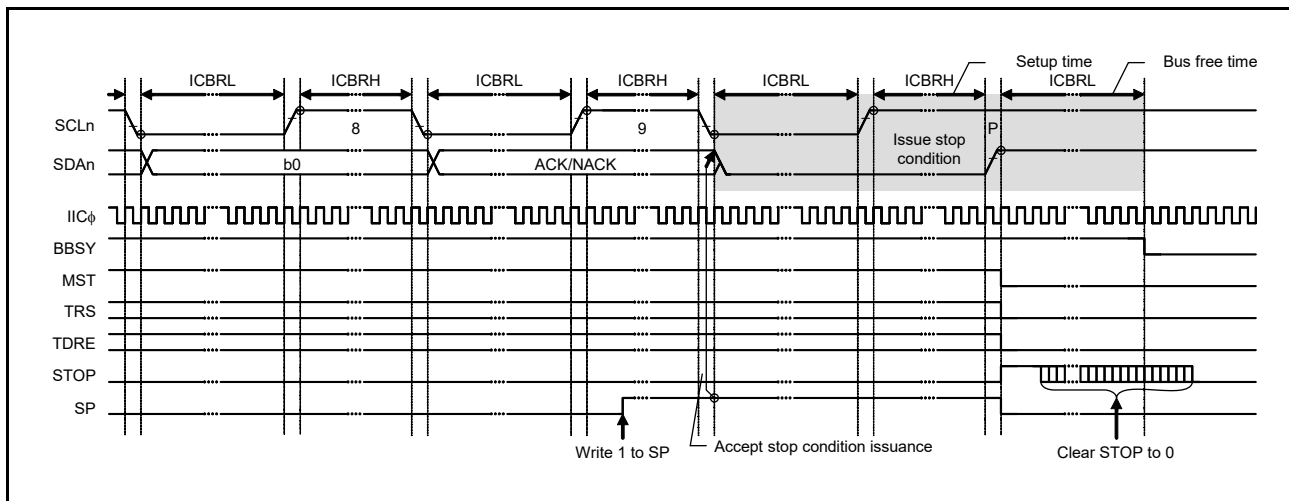


Figure 29.47 Stop condition issue timing using the SP bit

29.12 Bus Hanging

If the clock signals from the master and slave devices are out of synchronization because of noise or other factors, the I²C bus might hang with a fixed level on the SCLn line or SDA n line.

To manage bus hanging, the IIC has:

- A timeout function to detect hanging by monitoring the SCLn line
- A function for the output of an extra SCL clock cycle to release the bus from a hung state because of clock signals being out of synchronization
- The IIC reset function
- An internal reset function.

By checking the SCLO, SDAO, SCLI, and SDAI bits in ICCR1, it is possible to determine whether the IIC or its communicating partner is placing the low level on the SCLn or SDA n lines.

29.12.1 Timeout Function

The timeout function can detect when the SCLn line is stuck longer than the predetermined time. The IIC can detect an abnormal bus state by monitoring that the SCLn line is stuck low or high for a predetermined time.

The timeout function monitors the SCLn line state and counts the low-level period or high-level period using the internal counter. The timeout function resets the internal counter each time the SCLn line changes (rising or falling), but continues to count unless the SCLn line changes. If the internal counter overflows because no SCLn line changes, the IIC can detect the timeout and report the bus hung state.

This timeout function is enabled when the ICFER.TMOE bit is 1. It detects a hung state when the SCLn line is stuck low or high during the following conditions:

- The bus is busy (ICCR2.BBSY flag is 1) in master mode (ICCR2.MST bit is 1)
- The IIC slave address is detected (ICSR1 register is not 00h) and the bus is busy (ICCR2.BBSY flag is 1) in slave mode (ICCR2.MST bit is 0)
- The bus is free (ICCR2.BBSY flag is 0) while a start condition is requested (ICCR2.ST bit is 1).

The internal counter of the timeout function uses the internal reference clock (IICφ) set in the CKS[2:0] bits in ICMR1 as a count source. It functions as a 16-bit counter when long mode is selected (TMOS bit = 0 in ICMR2) or a 14-bit counter when short mode is selected (TMOS bit = 1).

The SCLn line level (low, high, or both levels) during which this counter is activated can be selected in the TMOH and TMOL bits in ICMR2. If both TMOL and TMOH bits are set to 0, the internal counter is disabled.

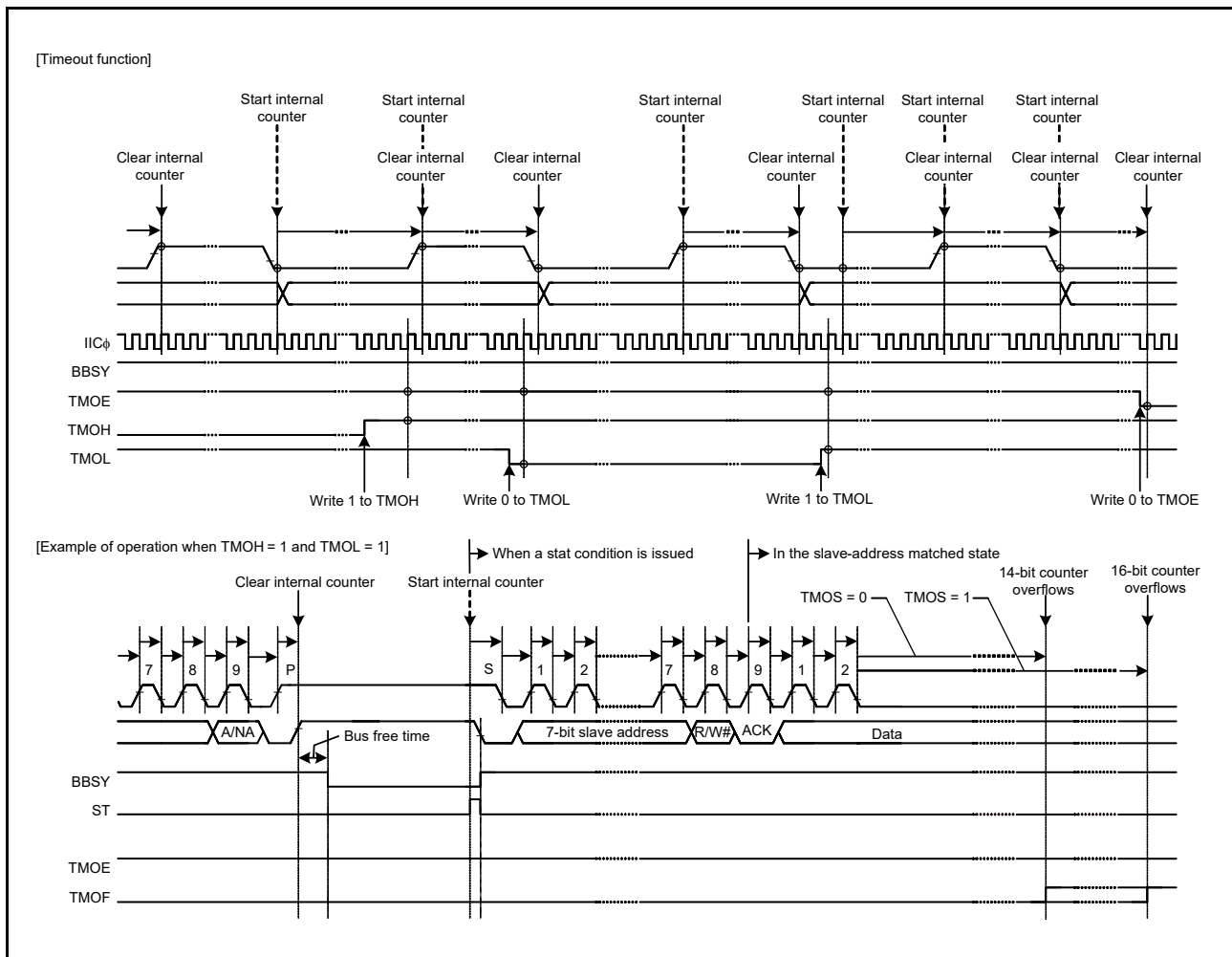


Figure 29.48 Timeout function using the TMOE, TMOS, TMOH, and TMOL bits

29.12.2 Extra SCL Clock Cycle Output Function

In master mode, this function outputs extra SCL clock cycles to release the SDAn line of the slave device from being held low because the master is out of synchronization with the slave device.

This function uses single cycles of the SCL clock for a bus error where the IIC cannot issue a stop condition because the slave device is holding the SDAn line low. Do not use this function in normal situations. Using it when communications are proceeding correctly leads to malfunctions.

When the CLO bit in the ICCR1 register is set to 1 in master mode, a single cycle of the SCL clock at the transfer rate specified in the ICMR1.CKS[2:0] bits, and in the ICBRH and ICBRL registers, is output as an extra clock cycle. After output of this single cycle of the SCL clock, the CLO bit is automatically set to 0. Therefore, additional extra clock cycles can be output consecutively by writing 1 to the CLO bit after having read CLO = 0.

When the IIC module is in master mode and the slave device is holding the SDAn line low because synchronization with the slave device is lost because of the effects of noise, the output of a stop condition is not possible. This function can be used to output extra cycles of SCL one by one to make the slave device release the SDAn line from being held low, and recover the bus from an unusable state. Release of the SDAn line by the slave device can be monitored by reading the SDAI bit in ICCR1. After confirming the release of the SDAn line by the slave device, complete communications by reissuing the stop condition.

Use this function with the MALE bit in the ICFER register set to 0 (master arbitration-lost detection disabled). If the MALE bit is set to 1 (enabled), arbitration is lost when the value of the ICCR1.SDAO bit does not match the state of the SDAn line.

[Output conditions for using the CLO bit in ICCR1]:

- When the bus is free (ICCR2.BBSY flag = 0) or in master mode (ICCR2.MST bit = 1 and ICCR2.BBSY flag = 1)
- When the communication device does not hold the SCLn line low.

Figure 29.49 shows the operation timing of the extra SCL clock cycle output function (CLO bit).

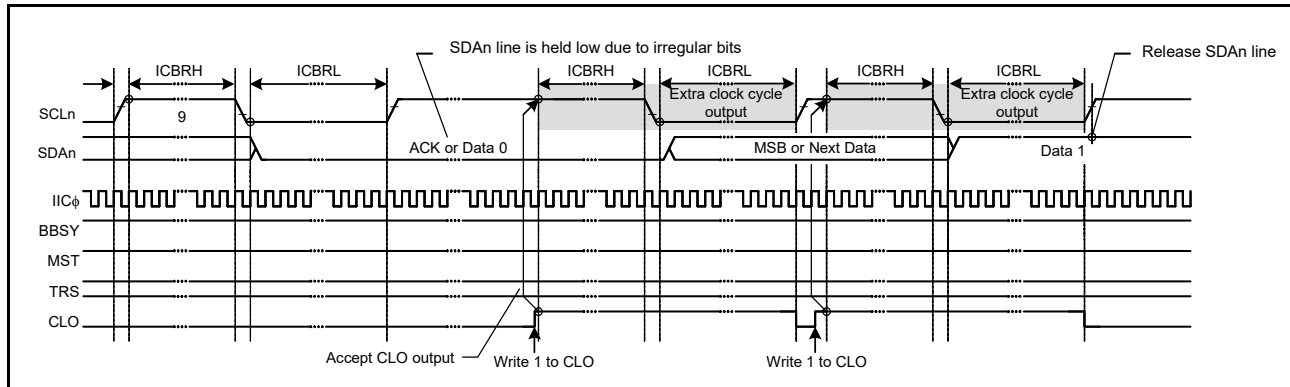


Figure 29.49 Extra SCL clock cycle output function using the CLO bit

29.12.3 IIC Reset and Internal Reset

The IIC has two types of resets:

- IIC reset, which initializes all registers, including the BBSY flag in ICCR2
- Internal reset, which releases the IIC from the slave-address matched state and initializes the internal counter while saving other settings.

After issuing a reset, be sure to set the ICCR1.IICRST bit to 0. Both types of resets are valid for release from bus-hung states, because both restore the output state of the SCLn and SDAn pins to the high-impedance state.

Issuing a reset during slave operation might lead to a loss of synchronization between the master device clock and the slave device clock, so avoid this when possible. In addition, monitoring the bus state, such as for the presence of a start condition, is not possible during an IIC reset (ICE and IICRST bits = 01b in ICCR1).

For a detailed description of the IIC and internal resets, see [section 29.15, Register States when Issuing Each Condition](#).

29.13 SMBus Operation

The IIC supports data communication conforming to the SMBus Specification (version 2.0). To perform SMBus communication, set the SMBS bit in ICMR3 to 1. To use the transfer rate within a range of 10 kbps to 100 kbps of the SMBus standard, set the ICMR1.CKS[2:0] bits, the ICBRH, and ICBRL registers. In addition, determine the values of the ICMR2.DLCS bit and the ICMR2.SDDL[2:0] bits to meet the data hold time specification of 300 ns or more. When the IIC is used only as a slave device, the transfer rate setting is not required, but ICBRL must be set to a value longer than the data setup time of 250 ns.

For the SMBus device default address (1100 001b), use one of the slave address registers L0 to L2 (SARL0, SARL1, and SARL2), and set the associated FS bit (7-bit or 10-bit address format select) in SARUy (y = 0 to 2) to 0 (7-bit address format).

When transmitting the UDID (Unique Device Identifier), set the ICFER.SALE bit to 1 to enable the slave arbitration-lost detection function.

29.13.1 SMBus Timeout Measurement

(1) Measuring slave device timeout

The following period (timeout interval: $T_{\text{LOW:SEXT}}$) must be measured for slave devices in SMBus communication:

- From start condition to stop condition.

To measure timeout for slave devices, measure the period from start condition detection to stop condition detection with the GPT using the IIC start condition detection interrupt (STIn) and stop condition detection interrupt (SPIn). The

measured timeout period must be within the total clock low-level period [slave device] $T_{LOW:SEXT}$: 25 ms (maximum) of the SMBus standard.

If the time measured with the GPT exceeds the clock low-level detection timeout $T_{TIMEOUT}$: 25 ms (minimum) of the SMBus standard, the slave device must release the bus by writing 1 to the ICCR1.IICRST bit to issue an internal reset of the IIC. When an internal reset is issued, the IIC stops driving the bus for the SCLn and SDAn pins and makes the SCLn/SDAn pin output high-impedance, which releases the bus.

(2) Measuring master device timeout

The following periods (timeout interval: $T_{LOW:MEXT}$) must be measured for master devices in SMBus communication:

- From start condition to acknowledge bit
- Between acknowledge bits
- From acknowledge bit to stop condition.

To measure timeout for master devices, measure these periods with the GPT using the IIC start condition detection interrupt (STIn), stop condition detection interrupt (SPIn), and transmit end interrupt (IICn_TEI) or receive data full interrupt (IICn_RXI) of the IIC. The measured timeout period must be within the total clock low-level extended period (master device) $T_{LOW:MEXT}$: 10 ms (maximum) of the SMBus standard, and the total of all $T_{LOW:MEXT}$ from start condition to stop condition must be within $T_{LOW:SEXT}$: 25 ms (maximum).

For the ACK receive timing (rising edge of the 9th SCL clock cycle), monitor the ICSR2.TEND flag in master transmit mode (master transmitter) and the ICSR2.RDRF flag in master receive mode (master receiver). Perform byte-wise transmit operation in master transmit mode, and hold the ICMR3.RDRFS bit 0 until the byte immediately before reception of the final byte in master receive mode. While the RDRFS bit is 0, the RDRF flag is set to 1 on the rising edge of the 9th SCL clock cycle.

If the period measured with the GPT exceeds the total clock low-level extended period (master device) $T_{LOW:MEXT}$: 10 ms (maximum) of the SMBus standard or the total of measured periods exceeds the clock low-level detection timeout $T_{TIMEOUT}$: 25 ms (minimum) of the SMBus standard, the master device must stop the transaction by issuing a stop condition. In master transmit mode, immediately stop the transmit operation (stop writing data to the ICDRT register).

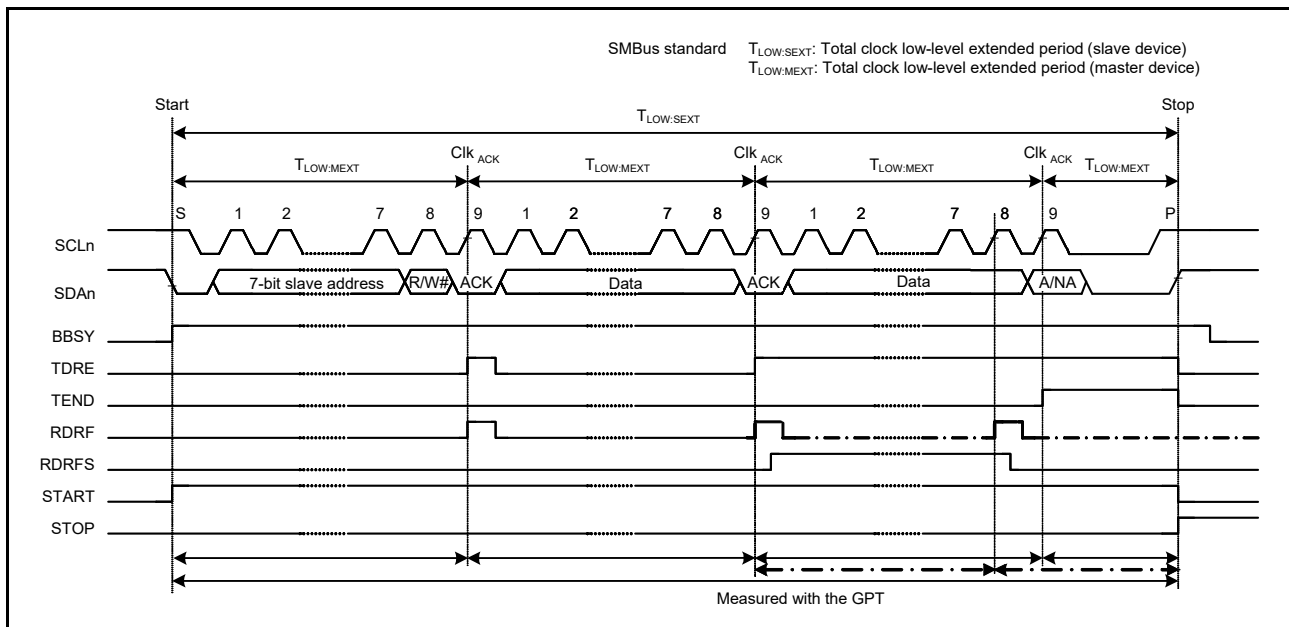


Figure 29.50 SMBus timeout measurement

29.13.2 Packet Error Code (PEC)

The MCU provides a CRC calculator that enables transmission of a packet error code (PEC) or allows checking the received data in SMBus data communication. For the CRC generating polynomials of the CRC calculator, see [section 32, Cyclic Redundancy Check \(CRC\) Calculator](#).

The PEC data in master transmit mode can be generated by writing all transmit data to the CRC Data Input Register (CRCDIR) in the CRC calculator.

The PEC data in master receive mode can be checked by writing all receive data to the CRCDIR register in the CRC calculator and comparing the obtained value in the CRC Data Output Register (CRCDOR) with the received PEC data.

To send ACK or NACK according to the match or mismatch result when the final byte is received as a result of the PEC code check, set the ICMR3.RDRFS bit to 1 before the rising edge of the 8th SCL clock cycle during reception of the final byte, and hold the SCLn line low on the falling edge of the 8th clock cycle.

29.13.3 SMBus Host Notification Protocol (Notify ARP Master Command)

In communications over an SMBus, a slave device can temporarily act as a master device to notify the SMBus host (or ARP master) of its own slave address, or to request its own slave address from the SMBus host.

For a product using the MCU to operate as an SMBus host (or ARP master), the host address (0001 000b) sent from the slave device must be detected as a slave address, and so the IIC has a function for detecting the host address. To detect the host address as a slave address, set the ICMR3.SMBS bit and the ICSER.HOAE bit to 1. Operation after the host address is detected is the same as normal slave operation.

29.14 Interrupt Sources

The IIC issues five types of interrupt requests:

- Transfer error or event generation (arbitration-lost, NACK detection, timeout detection, start condition detection, and stop condition detection)
- Receive data full
- Transmit data empty
- Transmit end
- Address match during wakeup function.

Table 29.10 lists details on the interrupt requests. The receive data full and transmit data empty conditions can activate data transfer by the DTC or DMAC.

Table 29.10 Interrupt sources

| Symbol | Interrupt source | Interrupt flag | DTC activation | DMAC activation | Interrupt condition |
|----------------------------|--------------------------------------------|--------------------------------------|----------------|-----------------|-------------------------------------------------------------------------------------------------------------------|
| IICn_EEI* ⁵ | Transfer error/event generation | AL NACKF TMOF START STOP | Not possible | Not possible | AL = 1 • ALIE = 1 NACKF = 1 • NAKIE = 1 TMOF = 1 • TMOIE = 1 START = 1 • STIE = 1 STOP = 1 • SPIE = 1 |
| IICn_RXI* ^{2, *5} | Receive data full | RDRF | Possible | Possible | RDRF = 1 • RIE = 1 |
| IICn_TXI* ^{1, *5} | Transmit data empty | TDRE | Possible | Possible | TDRE = 1 • TIE = 1 |
| IICn_TEI* ^{3, *5} | Transmit end | TEND | Not possible | Not possible | TEND = 1 • TEIE = 1 |
| IIC0_WUI* ⁴ | Slave address match during wakeup function | WUF | Not possible | Not possible | Slave address match Slave receive complete RWAK operation ASY0 = 1 WUIE = 1 |

Note: There is a delay time between the execution of a write instruction for a peripheral module by the CPU and actual writing to the module. When an interrupt flag is cleared or masked, read the relevant flag again to check whether clearing or masking is completed, and then return from interrupt handling. Not doing so creates a possibility of repeated processing of the same interrupt.

Note 1. Because IICn_TXI is an edge-detected interrupt, it does not require clearing. Additionally, the ICSR2.TDRE flag (a condition for IICn_TXI) is automatically set to 0 when transmit data is written to the ICDRT register or a stop condition is detected (ICSR2.STOP flag = 1).

Note 2. Because IICn_RXI is an edge-detected interrupt, it does not require clearing. Additionally, the ICSR2.RDRF flag (a condition for IICn_RXI) is automatically set to 0 when data is read from ICDRR.

Note 3. When using the IICn_TEI interrupt, clear the ICSR2.TEND flag in the IICn_TEI interrupt handling.

The ICSR2.TEND flag is automatically set to 0 when transmit data is written to ICDRT or a stop condition is detected (ICSR2.STOP flag = 1).

Note 4. Only channel 0 has a wakeup function, therefore IIC0_WUI is for channel 0 only.

Note 5. Channel number (n = 0 to 1).

Clear or mask the each flag during interrupt handling.

29.14.1 Buffer Operation for IICn_TXI and IICn_RXI Interrupts

If the conditions for generating a IICn_TXI and IICn_RXI interrupt are satisfied while the associated IR flag is 1, the interrupt request is not output for the ICU but saved internally (the capacity for internal retention is one request per source).

An interrupt request that is saved within the ICU is output when the value of the ICU.IELSRn.IR flag becomes 0. Internally saved interrupt requests are automatically cleared under normal usage conditions. Internally saved interrupt requests can also be cleared by writing 0 to the interrupt enable bit within the associated peripheral module.

29.15 Register States when Issuing Each Condition

IIC has 2 dedicated resets, IIC reset and internal reset. [Table 29.11](#) lists the register states when issuing each condition.

Table 29.11 Register states when issuing each condition (1 of 2)

| Registers | | Reset | IIC reset (ICE = 0, IICRST = 1) | Internal reset (ICE = 1, IICRST = 1) | Start or restart condition detection | Stop condition detection |
|--------------------------------------------|-------------|-------|------------------------------------|-----------------------------------------|-----------------------------------------|-----------------------------|
| ICCR1 | ICE, IICRST | Reset | Saved | Saved | Saved | Saved |
| | SCLO, SDAO | | Reset | Reset | | |
| | Others | | | Saved | | |
| ICCR2 | BBSY | Reset | Reset | Saved | Set | Saved |
| | ST | | | Reset | Saved | Saved |
| | TRS, MST | | | | Set or saved | Reset |
| | Others | | | | Reset | Reset or saved |
| ICMR1 | BC[2:0] | Reset | Reset | Reset | Reset | Saved |
| | Others | | | Saved | Saved | |
| ICMR2 | | Reset | Reset | Saved | Saved | Saved |
| ICMR3 | | Reset | Reset | Saved | Saved | Saved |
| ICFER | | Reset | Reset | Saved | Saved | Saved |
| ICSER | | Reset | Reset | Saved | Saved | Saved |
| ICIER | | Reset | Reset | Saved | Saved | Saved |
| ICSR1 | | Reset | Reset | Reset | Saved | Reset |
| ICSR2 | TDRE, TEND | Reset | Reset | Reset | Saved | Reset |
| | START | | | | Set | |
| | STOP | | | | Saved | Set |
| | Others | | | | | Saved |
| ICWUR | | Reset | Reset | Saved | Saved | Saved |
| ICWUR2 | WUSEN | Reset | Reset | Saved | Saved | Saved |
| | Others | | | | | |
| SARL0, SARL1, SARL2 SARU0, SARU1, SARU2 | | Reset | Reset | Saved | Saved | Saved |
| ICBRH, ICBRL | | Reset | Reset | Saved | Saved | Saved |
| ICDRT | | Reset | Reset | Saved | Saved | Saved |
| ICDRR | | Reset | Reset | Saved | Saved | Saved |
| ICDRS | | Reset | Reset | Reset | Saved | Saved |

Table 29.11 Register states when issuing each condition (2 of 2)

| Registers | Reset | IIC reset (ICE = 0, IICRST = 1) | Internal reset (ICE = 1, IICRST = 1) | Start or restart condition detection | Stop condition detection |
|---------------------------|-------|------------------------------------|-----------------------------------------|-----------------------------------------|-----------------------------|
| Timeout function | Reset | Reset | Operation | Operation | Operation |
| Bus free time measurement | Reset | Reset | Operation | Operation | Operation |

29.16 Event Link Output

IIC0 and IIC1 handle event output for the Event Link Controller (ELC) for the following sources:

(1) Transfer error event

When a transfer error event occurs, the associated event signal can be output to another module by the ELC.

(2) Receive data full

When a receive data register becomes full, the associated event signal can be output to another module by the ELC.

(3) Transmit data empty

When a transmit data register becomes empty, the associated event signal can be output to another module by the ELC.

(4) Transmit end

On completion of transfer, the associated event signal can be output to another module by the ELC.

29.16.1 Interrupt Handling and Event Linking

Each of the IIC interrupt types (see [Table 29.10](#)) has an enable bit to control enabling and disabling of the associated interrupt signal. An interrupt request signal is output to the CPU when an interrupt source condition is satisfied while the associated enable bit is set.

The associated event link output signals are sent to other modules as event signals by the ELC when the interrupt source conditions are satisfied, regardless of the interrupt enable bit settings. For details on interrupt sources, see [Table 29.10](#).

29.17 Usage Notes

29.17.1 Setting for the Module-Stop State

The Module Stop Control Register B (MSTPCRB) can enable or disable IIC operation. The module is initially stopped after a reset. The registers become accessible on release from the module-stop state.

For details on Module Stop Control Register B, see [section 10, Low Power Modes](#).

29.17.2 Notes on Starting Transfer

If the IR flag associated with the IIC interrupt is 1 when transfer is started (ICCR1.ICE bit = 1), use the following procedure to clear interrupts before enabling operations. Starting transfer with the IR flag set to 1 while the ICCR1.ICE bit is 1 leads to an interrupt request being internally saved after transfer starts, and this can lead to unexpected behavior of the IR flag.

Before starting transfer operation:

1. Confirm that the ICCR1.ICE bit is 0.
2. Set the relevant interrupt enable bits, such as ICIER.TIE to 0.
3. Read the relevant interrupt enable bits, such as ICIER.TIE, and confirm that the value is 0.
4. Set the IR flag to 0.

30. Controller Area Network (CAN) Module

30.1 Overview

The CAN module uses a message-based protocol to receive and transmit data between multiple slaves and masters in electromagnetically noisy applications. The module complies with the ISO 11898-1 (CAN 2.0A/CAN 2.0B) standard and supports up to 32 mailboxes, which can be configured for transmission or reception in normal mailbox and FIFO modes. Both standard (11-bit) and extended (29-bit) messaging formats are supported. The CAN module requires an additional external CAN transceiver.

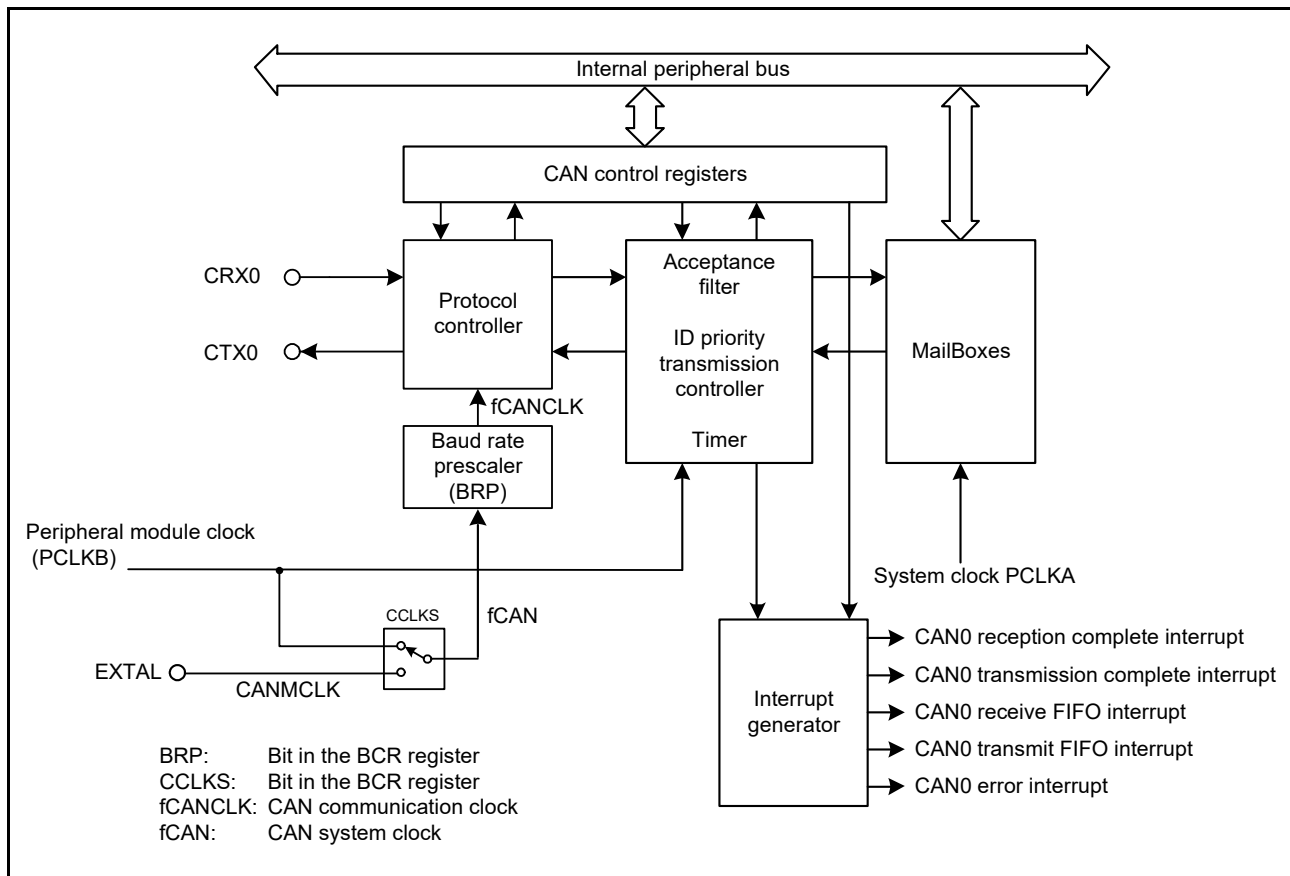
Table 30.1 lists the features of the CAN module and Figure 30.1 shows the block diagram.

Table 30.1 CAN module specifications (1 of 2)

| Parameter | Description |
|--------------------------------------|-------------------------------------------------------------------------------------------------------------------------------------------------------------------------------------------------------------------------------------------------------------------------------------------------------------------------------------------------------------------------------------------------------------------------------------------------------------------------------------------------------------------------------------------------------------------------------|
| Data transfer rate | <ul style="list-style-type: none"> ISO11898-1 compliant for standard and extended frames |
| Bit rate | <ul style="list-style-type: none"> Programmable up to 1 Mbps (fCAN ≥ 8 MHz) fCAN: CAN clock source |
| Message box | 32 mailboxes, with two selectable mailbox modes: <ul style="list-style-type: none"> Normal mailbox mode: 32 mailboxes individually configurable for transmission or reception FIFO mailbox mode: 24 mailboxes individually configurable for transmission or reception, with the remaining mailboxes used for receive and transmit 4-stage FIFOs. |
| Reception | <ul style="list-style-type: none"> Support for data frame and remote frame reception Reception ID format selectable to only standard ID, only extended ID, or mixed IDs Programmable one-shot reception function Selectable between overwrite mode (unread message overwritten) and overrun mode (unread message saved) Reception complete interrupt independently enabled or disabled for each mailbox. |
| Acceptance filter | <ul style="list-style-type: none"> Eight acceptance masks (one mask for every four mailboxes) Masks independently enabled or disabled for each mailbox. |
| Transmission | <ul style="list-style-type: none"> Support for data frame and remote frame transmission Transmission ID format selectable to only standard ID, only extended ID, or mixed IDs Programmable one-shot transmission function Broadcast messaging function Priority mode selectable based on message ID or mailbox number Support for transmission request abort, with abort completion confirmable in status flag Transmission complete interrupt can be individually enabled or disabled for each mailbox. |
| Mode transition for bus-off recovery | Mode transition for the recovery from the bus-off state selectable to: <ul style="list-style-type: none"> ISO11898-1 specification compliant Automatic entry to CAN halt mode on bus-off entry Automatic entry to CAN halt mode on bus-off end Entry to CAN halt mode through software Transition to error-active state through software. |
| Error status monitoring | <ul style="list-style-type: none"> Monitoring of CAN bus errors including stuff error, form error, ACK error, 15-bit CRC error, bit error, and ACK delimiter error Detection of transition to error states including error-warning, error-passive, bus-off entry, and bus-off recovery Support for reading error counters. |
| Time stamping | <ul style="list-style-type: none"> Time stamp function using a 16-bit counter The reference clock can be selected from 1-bit, 2-bit, 4-bit and 8-bit time periods. |
| Interrupt function | Support for five interrupt sources: <ul style="list-style-type: none"> Reception complete Transmission complete Receive FIFO Transmit FIFO Error interrupts. |
| CAN sleep mode | <ul style="list-style-type: none"> CAN clock stopped to reduce power consumption |
| Software support unit | Three software support units: <ul style="list-style-type: none"> Acceptance filter support Mailbox search support (receive mailbox search, transmit mailbox search, and message lost search) Channel search support. |

Table 30.1 CAN module specifications (2 of 2)

| Parameter | Description |
|----------------------|-----------------------------------------------------------------------------------------------------------------------------------------------------------------------------------------------------------------|
| CAN clock source | <ul style="list-style-type: none"> PCLKB or CANMCLK |
| Test mode | Three test modes available for user evaluation: <ul style="list-style-type: none"> Listen-only mode Self-test mode 0 (external loopback) Self-test mode 1 (internal loopback). |
| Module-stop function | Module-stop state can be set to reduce power consumption |

**Figure 30.1 CAN module block diagram**

The CAN module constitutes the following blocks:

- CAN input and output pins
CRX0 and CTX0
- Protocol controller
Handles CAN protocol processing such as bus arbitration, bit timing at transmission and reception, stuffing, and error handling
- Mailboxes
Consists of 32 mailboxes, which can be configured as either transmit or receive. Each mailbox has an individual ID, data length code (DLC), a data field (8 bytes), and a time stamp.
- Acceptance filter
Filters received messages using MKR0 to MKR7 register settings
- Timer
Used for the time stamp function. The timer value when a message is stored into the mailbox is written as the time stamp value.

- Interrupt generator for five types of interrupts:
 - CAN0 reception complete interrupt
 - CAN0 transmission complete interrupt
 - CAN0 receive FIFO interrupt
 - CAN0 transmit FIFO interrupt
 - CAN0 error interrupt.

Table 30.2 lists the CAN module pins. These pins are multiplexed with other signals on the MCU. For details, see [section 19, I/O Ports](#).

Table 30.2 Pin configuration

| Pin Name | I/O | Function |
|----------|--------|-------------------|
| CRX0 | Input | Data receive pin |
| CTX0 | Output | Data transmit pin |

30.2 Register Descriptions

30.2.1 Control Register (CTLR)

Address(es): CAN0.CTLR 4005 0840h

| b15 | b14 | b13 | b12 | b11 | b10 | b9 | b8 | b7 | b6 | b5 | b4 | b3 | b2 | b1 | b0 |
|-----|-----|------|----------|------|-----------|-----------|------|-----|-----|-----------|-----|----|----|----|----|
| — | — | RBOC | BOM[1:0] | SLPM | CANM[1:0] | TSPS[1:0] | TSRC | TPM | MLM | IDFM[1:0] | MBM | | | | |
| 0 | 0 | 0 | 0 | 0 | 1 | 0 | 1 | 0 | 0 | 0 | 0 | 0 | 0 | 0 | 0 |

Value after reset:

| Bit | Symbol | Bit name | Description | R/W |
|--------|-----------|-------------------------------------|---------------------------------------------------------------------------------------------------------------------------------------------------------------------------------------------------------------------------------------------------------------------------------------------------------------------------------------------------------------------------------------------------------------------------------------------------------------------------------------------------------------------------------------------------------------------------------------------------------------------------------------------------------------------------------------------------|-----|
| b0 | MBM | CAN Mailbox Mode Select*1 | 0: Normal mailbox mode 1: FIFO mailbox mode. | R/W |
| b2, b1 | IDFM[1:0] | ID Format Mode Select*1 | b2 b1 0 0: Standard ID mode: All mailboxes, including FIFO mailboxes, handle only standard IDs 0 1: Extended ID mode: All mailboxes, including FIFO mailboxes, handle only extended IDs 1 0: Mixed ID mode: All mailboxes, including FIFO mailboxes, handle both standard IDs and extended IDs. Standard IDs or extended IDs are specified by using the IDE bit in the associated mailbox in normal mailbox mode. In FIFO mailbox mode, the IDE bit in the associated mailbox is used for mailboxes 0 to 23, the IDE bits in FIDCR0 and FIDCR1 are used for the receive FIFO, and the IDE bit in mailbox 24 is used for the transmit FIFO. 1 1: Do not use this combination. | R/W |
| b3 | MLM | Message Lost Mode Select*1 | 0: Overwrite mode 1: Overrun mode. | R/W |
| b4 | TPM | Transmission Priority Mode Select*1 | 0: ID priority transmit mode 1: Mailbox number priority transmit mode. | R/W |
| b5 | TSRC | Time Stamp Counter Reset Command*4 | 0: No reset 1: Reset.*3 | R/W |
| b7, b6 | TSPS[1:0] | Time Stamp Prescaler Select*1 | b7 b6 0 0: Every 1-bit time 0 1: Every 2-bit time 1 0: Every 4-bit time 1 1: Every 8-bit time. | R/W |

| Bit | Symbol | Bit name | Description | R/W |
|----------|------------------|--------------------------------|----------------------------------------------------------------------------------------------------------------------------------------------------------------------------------------------------------------------------------------------------------------------------------------------------------|-----|
| b9, b8 | CANM[1:0] | CAN Mode of Operation Select*5 | b9 b8 0 0: CAN operation mode 0 1: CAN reset mode 1 0: CAN halt mode 1 1: CAN reset mode (forced transition). | R/W |
| b10 | SLPM | CAN Sleep Mode*5, *6 | 0: Exit CAN sleep mode 1: Enter CAN sleep mode. | R/W |
| b12, b11 | BOM[1:0] | Bus-Off Recovery Mode*1 | b12 b11 0 0: Normal mode (ISO11898-1 specification compliant) 0 1: Entry to CAN halt mode automatically on entering bus-off state 1 0: Entry to CAN halt mode automatically at the end of bus-off state 1 1: Entry to CAN halt mode during bus-off recovery period through software request. | R/W |
| b13 | RBOC | Forcible Return from Bus-Off*2 | 0: No forcible return from bus-off 1: Forcible return from bus-off.*3 | R/W |
| b15, b14 | — | Reserved | These bits are read as 0. The write value should be 0. | R/W |

Note 1. Write to the BOM[1:0], TSPS[1:0], TPM, MLM, IDFM[1:0], and MBM bits in CAN reset mode.

Note 2. Set the RBOC bit to 1 in the bus-off state.

Note 3. This bit automatically clears to 0 after being set to 1. It should be read as 0.

Note 4. Set the TSRC bit to 1 in CAN operation mode.

Note 5. When the CANM[1:0] and SLPM bits are changed, check STR to ensure that the mode is switched. Do not change the CANM[1:0] bits or SLPM bit until the mode is switched.

Note 6. Write to the SLPM bit in CAN reset mode or CAN halt mode. When changing the SLPM bit, write 0 or 1 only to the SLPM bit.

MBM bit (CAN Mailbox Mode Select*1)

When the MBM bit is 0 (normal mailbox mode), mailboxes 0 to 31 are configured as transmit or receive mailboxes.

When the MBM bit is 1 (FIFO mailbox mode):

- Mailboxes 0 to 23 are configured as transmit or receive mailboxes
- Mailboxes 24 to 27 are configured as a transmit FIFO
- Mailboxes 28 to 31 are configured as a receive FIFO
- Transmit data is written into mailbox 24, the window mailbox for the transmit FIFO
- Receive data is read from mailbox 28, the window mailbox for the receive FIFO.

Table 30.3 lists the mailbox configuration.

IDFM[1:0] bits (ID Format Mode Select*1)

The IDFM[1:0] bits specify the ID format.

MLM bit (Message Lost Mode Select*1)

The MLM bit specifies the operation when a new message is captured in an unread mailbox. Overwrite mode or overrun mode can be selected. All mailboxes, including the receive FIFO are set to either overwrite mode or overrun mode.

When this bit is 0, all mailboxes are set to overwrite mode. Any new message received overwrites the pre-existing message.

When this bit is 1, all mailboxes are set to overrun mode. Any new message received does not overwrite the pre-existing message, and the new message is discarded.

TPM bit (Transmission Priority Mode Select*1)

The TPM bit specifies the priority when transmitting messages.

The ID priority transmit mode or mailbox number transmit mode can be selected. All mailboxes are set for either ID priority transmission or mailbox number priority transmission.

When the TPM bit is 0, ID priority transmit mode is selected and transmission priority complies with the CAN bus arbitration rule, as defined in the ISO11898-1 CAN specification. In ID priority transmit mode, mailboxes 0 to 31 (in normal mailbox mode), and mailboxes 0 to 23 (in FIFO mailbox mode), and the transmit FIFO are compared for the IDs of mailboxes configured for transmission. If two or more mailbox IDs are the same, the mailbox with the smaller number

has higher priority.

Only the next message to be transmitted from the transmit FIFO is included in the transmission arbitration. If a transmit FIFO message is being transmitted, the next pending message within the transmit FIFO is included in the transmission arbitration.

When the TPM bit is 1, mailbox number transmit mode is selected and the transmit mailbox with the smallest mailbox number has the highest priority. In FIFO mailbox mode, the transmit FIFO has lower priority than normal mailboxes (0 to 23).

TSRC bit (Time Stamp Counter Reset Command*4)

The TSRC bit resets the time stamp counter. When the TSRC bit is set to 1, TSR is set to 0000h. This bit is automatically set to 0.

TSPS[1:0] bits (Time Stamp Prescaler Select*1)

The TSPS[1:0] bits select the prescaler for the time stamp. The reference clock for the time stamp can be selected to be either 1-bit, 2-bit, 4-bit, or 8-bit time periods.

CANM[1:0] bits (CAN Mode of Operation Select*5)

The CANM[1:0] bits select one of the following modes for the CAN module:

- CAN operation mode
- CAN reset mode
- CAN halt mode.

The CAN sleep mode is set by the SLPM bit. For details, see [section 30.3, Modes of Operation](#). When the CAN module enters CAN halt mode according to the setting of the BOM[1:0] bits, the CANM[1:0] bits are automatically set to 10b.

SLPM bit (CAN Sleep Mode*5, *6)

When the SLPM bit is set to 1, the CAN module enters CAN sleep mode. When the SLPM bit is set to 0, the CAN module exits CAN sleep mode. For details, see [section 30.3, Modes of Operation](#).

BOM[1:0] bits (Bus-Off Recovery Mode*1)

The BOM[1:0] bits select bus-off recovery mode for the CAN module.

When the BOM[1:0] bits are 00b, the recovery from bus-off is compliant with the ISO11898-1 CAN specification. The CAN module recovers CAN communication (error-active state) after detecting 11 consecutive recessive bits 128 times. A bus-off recovery interrupt request is generated when recovering from bus-off.

When the BOM[1:0] bits are 01b and the CAN module reaches the bus-off state, the CANM[1:0] bits in CTLR are set to 10b to enter the CAN halt mode. No bus-off recovery interrupt request is generated when recovering from bus-off, and TECR and RECR are set to 00h.

When the BOM[1:0] bits are 10b, the CANM[1:0] bits are set to 10b as soon as the CAN module reaches the bus-off state. The CAN module enters the CAN halt mode after a recovery from the bus-off state, after detecting 11 consecutive recessive bits 128 times. A bus-off recovery interrupt request is generated when recovering from bus-off, and TECR and RECR are set to 00h.

When the BOM[1:0] bits are 11b, the CAN module enters the CAN halt mode by setting the CANM[1:0] bits to 10b while the CAN module is still in the bus-off state. No bus-off recovery interrupt request is generated when recovering from bus-off and TECR and RECR are set to 00h. However, if the CAN module recovers from bus-off after detecting 11 consecutive recessive bits 128 times before the CANM[1:0] bits are set to 10b, a bus-off recovery interrupt request is generated.

If the CPU requests an entry to the CAN reset mode at the same time as the CAN module attempts to enter CAN halt mode (at bus-off entry when the BOM[1:0] bits are 01b, or at bus-off end when the BOM[1:0] bits are 10b), then the CPU request has higher priority.

RBOC bit (Forcible Return from Bus-Off*2)

When the RBOC bit is set to 1 in the bus-off state, the CAN module forcibly exits the bus-off state. This bit is

automatically set to 0, and the error state changes from bus-off to error-active. When the RBOC bit is set to 1, the RECR and TECR registers are set to 00h and the BOST bit in STR is set to 0, indicating that the CAN module is not in bus-off state. The other registers remain unchanged even when the RBOC bit is set to 1. No bus-off recovery interrupt request is generated by this recovery from the bus-off state. Use the RBOC bit only when the BOM[1:0] bits are 00b (normal mode).

Table 30.3 Mailbox configuration

| Mailbox | MBM bit = 0 (normal mailbox mode) | MBM bit = 1*1 to *5 (FIFO mailbox mode) |
|--------------------|--------------------------------------|--------------------------------------------|
| Mailboxes 0 to 23 | Normal mailbox | Normal mailbox |
| Mailboxes 24 to 27 | | Transmit FIFO |
| Mailboxes 28 to 31 | | Receive FIFO |

Note 1. The transmit FIFO is controlled by the TFCR register. The MCTL_TXj registers associated with mailboxes 24 to 27 are disabled. MCTL_TX24 to MCTL_TX27 cannot be used by the transmit FIFO.

Note 2. Receive FIFO is controlled by the RFCR register. The MCTL_RXj registers associated with mailboxes 28 to 31 are disabled. MCTL_RX28 to MCTL_RX31 cannot be used by the receive FIFO.

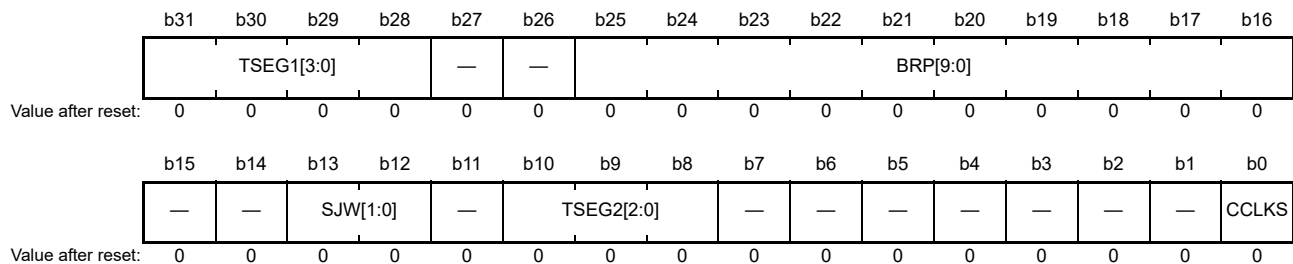
Note 3. See the MIER_FIFO register for information on FIFO interrupts.

Note 4. The MKIVLR register bits associated with mailboxes 24 to 31 are disabled. Set these bits to 0.

Note 5. The transmit and receive FIFOs can be used for both data and remote frames.

30.2.2 Bit Configuration Register (BCR)

Address(es): CAN0.BCR 4005 0844h



| Bit | Symbol | Bit name | Description | R/W |
|------------|------------|------------------------------------|-----------------------------------------------------------------------------------------------------------------------------------------------|-----|
| b0 | CCLKS | CAN Clock Source Selection | 0: PCLKB (generated by the PLL clock) 1: CANMCLK (generated by the main clock). | R/W |
| b7 to b1 | — | Reserved | These bits are read as 0. The write value should be 0. | R/W |
| b10 to b8 | TSEG2[2:0] | Time Segment 2 Control | b10 b8 0 0 0: Setting prohibited 0 0 1: 2 Tq 0 1 0: 3 Tq 0 1 1: 4 Tq 1 0 0: 5 Tq 1 0 1: 6 Tq 1 1 0: 7 Tq 1 1 1: 8 Tq. | R/W |
| b11 | — | Reserved | This bit is read as 0. The write value should be 0. | R/W |
| b13, b12 | SJW[1:0] | Synchronization Jump Width Control | b13 b12 0 0: 1 Tq 0 1: 2 Tq 1 0: 3 Tq 1 1: 4 Tq. | R/W |
| b15, b14 | — | Reserved | These bits are read as 0. The write value should be 0. | R/W |
| b25 to b16 | BRP[9:0] | Baud Rate Prescaler select*1 | These bits set the frequency of the CAN communication clock (fCANCLK) | R/W |
| b27, b26 | — | Reserved | These bits are read as 0. The write value should be 0. | R/W |

| Bit | Symbol | Bit name | Description | R/W |
|------------|------------|------------------------|----------------------------------------------------------------------------------------------------------------------------------------------------------------------------------------------------------------------------------------------------------------------------------------------------------------------------------------------|-----|
| b31 to b28 | TSEG1[3:0] | Time Segment 1 Control | b31 b28 0 0 0 0: Setting prohibited 0 0 0 1: Setting prohibited 0 0 1 0: Setting prohibited 0 0 1 1: 4 Tq 0 1 0 0: 5 Tq 0 1 0 1: 6 Tq 0 1 1 0: 7 Tq 0 1 1 1: 8 Tq 1 0 0 0: 9 Tq 1 0 0 1: 10 Tq 1 0 1 0: 11 Tq 1 0 1 1: 12 Tq 1 1 0 0: 13 Tq 1 1 0 1: 14 Tq 1 1 1 0: 15 Tq 1 1 1 1: 16 Tq. | R/W |

Tq: Time Quantum

Note 1. Do not select a value less than 1 while the SCKSCR.CKSEL[2:0] bits are 011b (selecting the main clock oscillator).

For details about setting the bit timing, see [section 30.4, Data Transfer Rate Configuration](#). Set the BCR register before entering CAN halt mode or CAN operation mode from CAN reset mode. After the setting is made once, this register can be written to in CAN reset mode or CAN halt mode. Use a 32-bit read/write access so as not to change bits 0 to 7.

CCLKS bit (CAN Clock Source Selection)

When the CCLKS bit is 0, the peripheral module clock (PCLKB) produced by the PLL frequency synthesizer is used as the CAN clock source (fCAN). When the CCLKS bit is 1, CANMCLK produced externally by the EXTAL pins is used as the CAN clock source (fCAN).

TSEG2[2:0] bits (Time Segment 2 Control)

The TSEG2[2:0] bits specify the length of the phase buffer segment 2 (PHASE_SEG2) with a Tq value. A value from 2 to 8 Tq can be set. Set a value smaller than that of the TSEG1[3:0] bits.

SJW[1:0] bits (Synchronization Jump Width Control)

The SJW[1:0] bits specify the synchronization jump width with a Tq value. A value from 1 to 4 Tq can be set. Set a value smaller than or equal to that of the TSEG2[2:0] bits.

BRP[9:0] bits (Baud Rate Prescaler select)

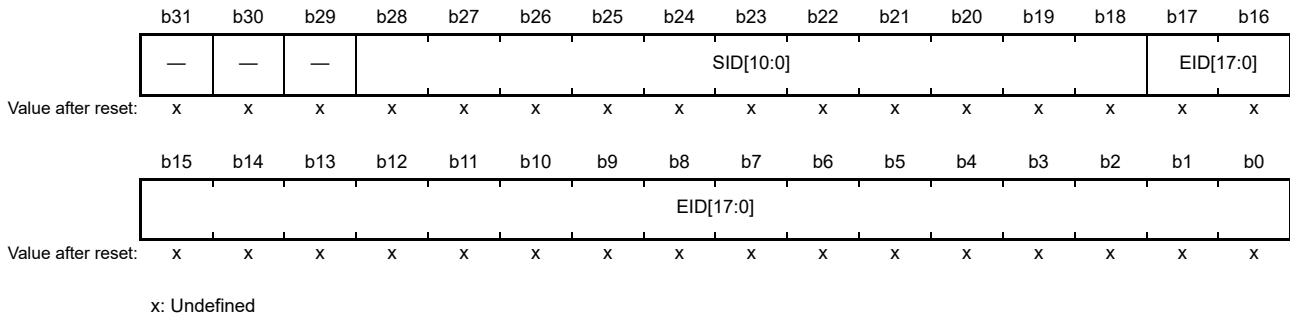
The BRP[9:0] bits set the frequency of the CAN communication clock (fCANCLK). The fCANCLK cycle is 1 Tq. If the setting is P (0 to 1023), the baud rate prescaler divides fCAN by P + 1.

TSEG1[3:0] bits (Time Segment 1 Control)

The TSEG1[3:0] bits specify the total length of the propagation time segment (PROP_SEG) and phase buffer segment 1 (PHASE_SEG1) with a time quantum (Tq) value. A value from 4 to 16 Tq can be set.

30.2.3 Mask Register k (MKRk) (k = 0 to 7)

Address(es): [CAN0.MKR0 4005 0400h](#) to [CAN0.MKR7 4005 041Ch](#)



| Bit | Symbol | Bit name | Description | R/W |
|------------|---------------------------|-------------|------------------------------------------------------------------------------------|-----|
| b17 to b0 | EID[17:0] | Extended ID | 0: Do not compare associated EID[17:0] bit 1: Compare associated EID[17:0] bit. | R/W |
| b28 to b18 | SID[10:0] | Standard ID | 0: Do not compare associated SID[10:0] bit 1: Compare associated SID[10:0] bit. | R/W |
| b31 to b29 | — | Reserved | The read value is undefined. The write value should be 0. | R/W |

For the mask function in FIFO mailbox mode, see [section 30.6, Acceptance Filtering and Masking Functions](#).

Write to MKR0 to MKR7 in CAN reset mode or CAN halt mode.

[EID\[17:0\] bits \(Extended ID\)](#)

The EID[17:0] bits are the filter mask bits for the CAN extended ID bits. These bits are used to receive extended ID messages. When the EID[17:0] bits are set to 0, the received ID bit is not compared with the associated mailbox ID bit. When a bit in EID[17:0] is set to 1, the respective received ID is compared with the mailbox ID for the associated mailbox ID bit.

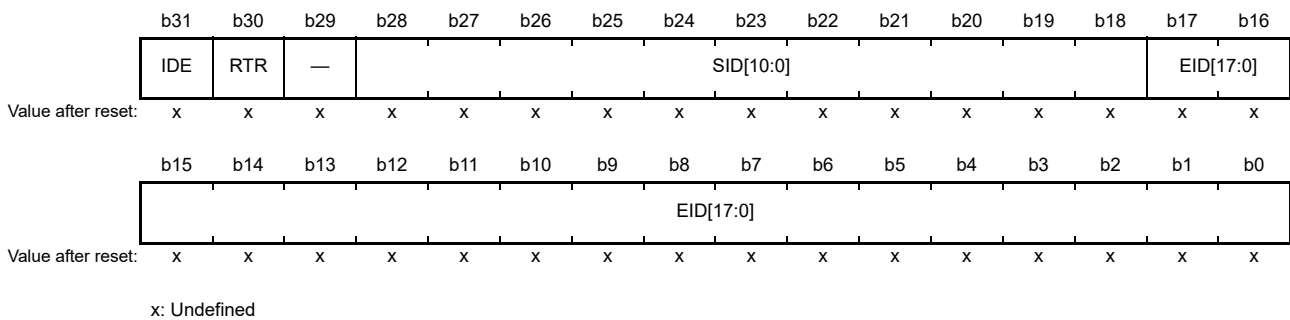
[SID\[10:0\] bits \(Standard ID\)](#)

The SID[10:0] bits are the filter mask bits associated with the CAN standard ID bits. These bits are used to receive both standard ID and extended ID messages.

When an SID[10:0] bit is set to 0, the respective received ID is not compared with the associated mailbox ID bit. When an SID[10:0] bit is set to 1, the respective received ID bit is compared with the associated mailbox ID bit.

30.2.4 FIFO Received ID Compare Registers 0 and 1 ([FIDCR0](#) and [FIDCR1](#))

Address(es): [CAN0.FIDCR0 4005 0420h](#), [CAN0.FIDCR1 4005 0424h](#)



| Bit | Symbol | Bit name | Description | R/W |
|-----------|---------------------------|-------------|-------------------------------------------|-----|
| b17 to b0 | EID[17:0] | Extended ID | Extended ID of the data and remote frames | R/W |

| Bit | Symbol | Bit name | Description | R/W |
|------------|------------------|-----------------------------|-----------------------------------------------------------|-----|
| b28 to b18 | SID[10:0] | Standard ID | Standard ID of the data and remote frames | R/W |
| b29 | — | Reserved | The read value is undefined. The write value should be 0. | R/W |
| b30 | RTR | Remote Transmission Request | 0: Data frame 1: Remote frame. | R/W |
| b31 | IDE | ID Extension*1 | 0: Standard ID 1: Extended ID. | R/W |

Note 1. When the CTLR.IDFM[1:0] bits are not 10b, the IDE bit should be written with 0 and read as 0.

FIDCR0 and FIDCR1 are enabled when the MBM bit in CTLR is set to 1 (FIFO mailbox mode). Bits EID[17:0], SID[10:0], RTR, and IDE in mailbox 28 to mailbox 31 are disabled. Write to the FIDCR0 and FIDCR1 registers in CAN reset mode or CAN halt mode. For information on using the FIDCR0 and FIDCR1 registers, see [section 30.6, Acceptance Filtering and Masking Functions](#).

EID[17:0] bits (Extended ID)

The EID[17:0] bits set the extended ID of data and remote frames. These bits are used to receive extended ID messages.

SID[10:0] bits (Standard ID)

The SID[10:0] bits set the standard ID of data frames and remote frames. These bits are used to receive both standard ID and extended ID messages.

RTR bit (Remote Transmission Request)

The RTR bit sets the specified frame format of data frames or remote frames:

- When the RTR bits in both FIDCR0 and FIDCR1 registers are set to 0, only data frames can be received
- When the RTR bits in both FIDCR0 and FIDCR1 registers are set to 1, only remote frames can be received
- When the RTR bits in both FIDCR0 and FIDCR1 registers are set to different values, both data frames and remote frames can be received.

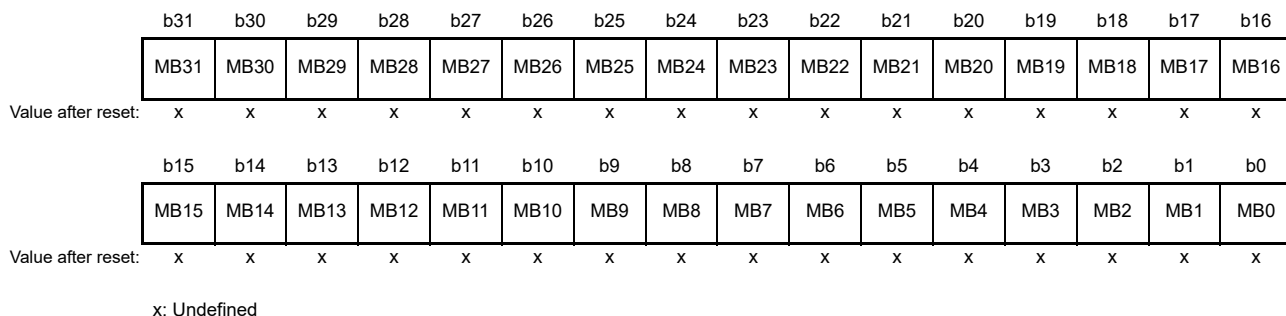
IDE bit (ID Extension)

The IDE bit sets the ID format to standard ID or extended ID. The IDE bit is enabled when the IDFM[1:0] bits in CTLR are 10b (mixed ID mode):

- When the IDE bits in both FIDCR0 and FIDCR1 registers are set to 0, only standard ID frames can be received
- When the IDE bits in both FIDCR0 and FIDCR1 registers are set to 1, only extended ID frames can be received
- When the IDE bits in both FIDCR0 and FIDCR1 registers are set to different values, both standard ID and extended ID frames can be received.

30.2.5 Mask Invalid Register (MKIVLR)

Address(es): CAN0.MKIVLR 4005 0428h



| Bit | Symbol | Bit name | Description | R/W |
|-----------|-------------|--------------|-----------------------------------|-----|
| b31 to b0 | MB31 to MB0 | Mask Invalid | 0: Mask valid 1: Mask invalid. | R/W |

Each bit in MKIVLR is associated with a mailbox of the same number. Bit [0] in MKIVLR corresponds to mailbox 0 (MB0) and bit [31] corresponds to mailbox 31 (MB31).*1

When a bit is set to 1, the corresponding acceptance mask register becomes invalid for the associated mailbox. When a mask invalid bit is set to 1, a message is received by the associated mailbox only if the receive message ID exactly matches the mailbox ID. Write to MKIVLR in CAN reset mode or CAN halt mode.

Note 1. Set bits [24:31] to 0 in FIFO mailbox mode.

30.2.6 Mailbox Register j (MBj_ID, MBj_DL, MBj_Dm, MBj_TS) (j = 0 to 31, m = 0 to 7)

Table 30.4 lists the CAN0 mailbox memory mapping, and Table 30.5 lists the CAN data frame configuration. The value of the CAN0 mailbox is undefined after reset.

Write to the MBj_ID, MBj_DL, MBj_Dm and MBj_TS registers only when the related MCTL_TXj or MCTL_RXj (j = 0 to 31) register is 00h and the associated mailbox does not process an abort request. See Table 30.4 for details on register addresses.

Table 30.4 CAN0 mailbox memory mapping (1 of 2)

| Address for CAN0 | Mapped message content |
|--------------------------|-----------------------------|
| 4005 0200h + 16 × j + 0 | IDE, RTR, SID10 to SID6 |
| 4005 0200h + 16 × j + 1 | SID5 to SID0, EID17, EID16 |
| 4005 0200h + 16 × j + 2 | EID15 to EID8 |
| 4005 0200h + 16 × j + 3 | EID7 to EID0 |
| 4005 0200h + 16 × j + 4 | - |
| 4005 0200h + 16 × j + 5 | Data length code (DLC[3:0]) |
| 4005 0200h + 16 × j + 6 | Data byte 0 |
| 4005 0200h + 16 × j + 7 | Data byte 1 |
| 4005 0200h + 16 × j + 8 | Data byte 2 |
| 4005 0200h + 16 × j + 9 | Data byte 3 |
| 4005 0200h + 16 × j + 10 | Data byte 4 |
| 4005 0200h + 16 × j + 11 | Data byte 5 |
| 4005 0200h + 16 × j + 12 | Data byte 6 |

Table 30.4 CAN0 mailbox memory mapping (2 of 2)

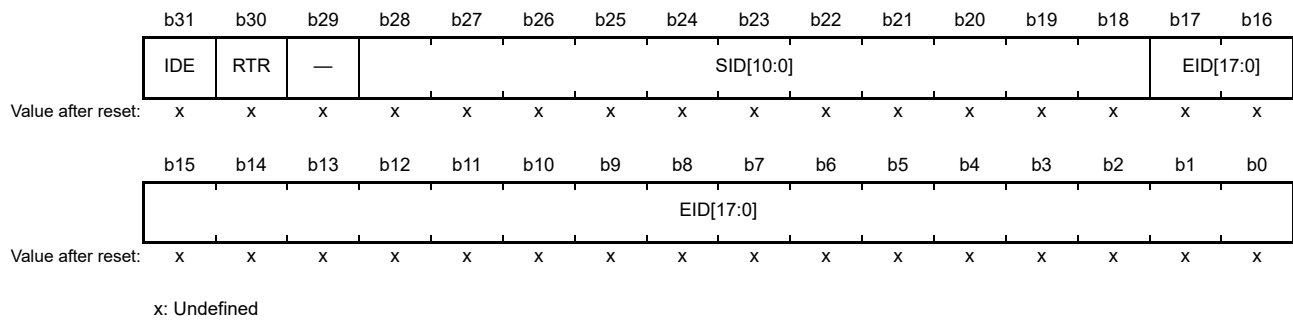
| Address for CAN0 | Mapped message content |
|--------------------------|------------------------|
| 4005 0200h + 16 × j + 13 | Data byte 7 |
| 4005 0200h + 16 × j + 14 | Time stamp upper byte |
| 4005 0200h + 16 × j + 15 | Time stamp lower byte |

Table 30.5 CAN data frame configuration

| | | | | | | | | | |
|---------------|--------------|----------------|---------------|--------------|--------------|-------|-------|-----|-------|
| SID10 to SID6 | SID5 to SID0 | EID17 to EID16 | EID15 to EID8 | EID7 to EID0 | DLC3 to DLC1 | DATA0 | DATA1 | ... | DATA7 |
|---------------|--------------|----------------|---------------|--------------|--------------|-------|-------|-----|-------|

The previous value of each mailbox is retained unless a new message is received.

Address(es): [CAN0.MB0_ID 4005 0200h](#) to [CAN0.MB31_ID 4005 03F0h](#)

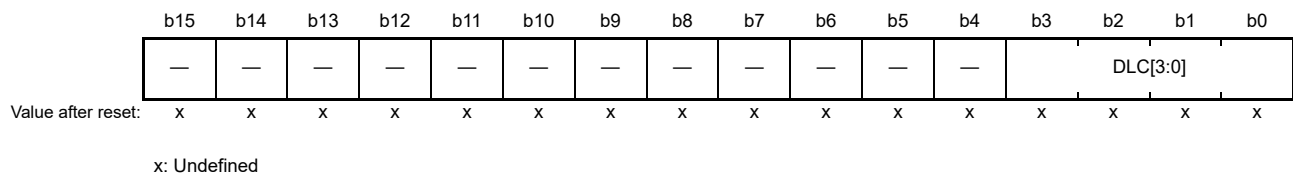


| Bit | Symbol | Bit name | Description | R/W |
|------------|---------------------------|-----------------------------|-----------------------------------------------------------|-----|
| b17 to b0 | EID[17:0] | Extended ID*1 | Extended ID of the data and remote frames | R/W |
| b28 to b18 | SID[10:0] | Standard ID | Standard ID of the data and remote frames | R/W |
| b29 | — | Reserved | The read value is undefined. The write value should be 0. | R/W |
| b30 | RTR | Remote Transmission Request | 0: Data frame 1: Remote frame. | R/W |
| b31 | IDE | ID Extension*2 | 0: Standard ID 1: Extended ID. | R/W |

Note 1. If the mailbox receives a standard ID message, the EID bits in the mailbox are undefined.

Note 2. The IDE bit is enabled when the IDFM[1:0] bits in CTLR are 10b (mixed ID mode). When the IDFM[1:0] bits are any value other than 10b, the IDE bit should be written with 0 and read as 0.

Address(es): [CAN0.MB0_DL 4005 0204h](#) to [CAN0.MB31_DL 4005 03F4h](#)

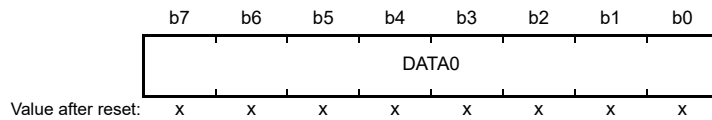


| Bit | Symbol | Bit Name | Description | R/W |
|-----------|--------------------------|--------------------|------------------------------------------------------------------------------------------------------------------------------------------------------------------------------------------------------------------------------------------------------------------------------------------------------------------------|-----|
| b3 to b0 | DLC[3:0] | Data Length Code*1 | b3 b0 0 0 0 0: Data length = 0 byte 0 0 0 1: Data length = 1 byte 0 0 1 0: Data length = 2 bytes 0 0 1 1: Data length = 3 bytes 0 1 0 0: Data length = 4 bytes 0 1 0 1: Data length = 5 bytes 0 1 1 0: Data length = 6 bytes 0 1 1 1: Data length = 7 bytes 1 x x x: Data length = 8 bytes. | R/W |
| b15 to b4 | — | Reserved | The read value is undefined. The write value should be 0. | R/W |

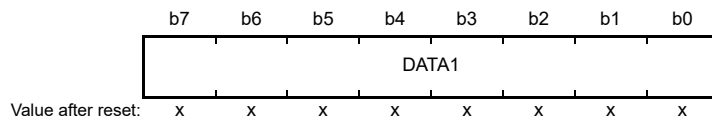
x: Don't care

Note 1. If the mailbox receives a message with data length of n bytes (set in DLC[3:0]), where n is less than 8, the data in the DATA_n to DATA₇ registers in the mailbox is undefined. Here, DATA₀ to DATA₇ are data registers for this mailbox. For example, if data length is 6 bytes (DLC[3:0] = 6h), the data in DATA₆ and DATA₇ registers is undefined.

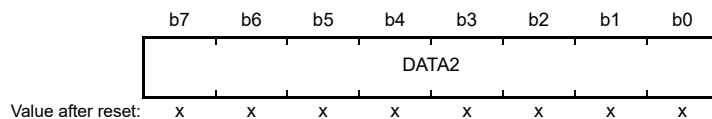
Address(es): [CAN0.MB0_D0 4005 0206h](#) to [CAN0.MB31_D0 4005 03F6h](#)



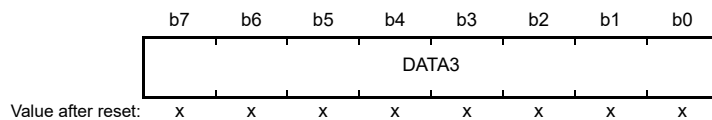
Address(es): [CAN0.MB0_D1 4005 0207h](#) to [CAN0.MB31_D1 4005 03F7h](#)



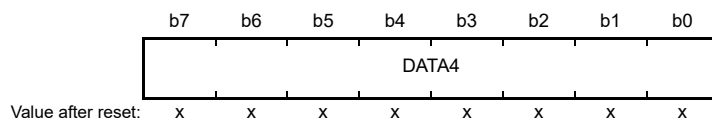
Address(es): [CAN0.MB0_D2 4005 0208h](#) to [CAN0.MB31_D2 4005 03F8h](#)



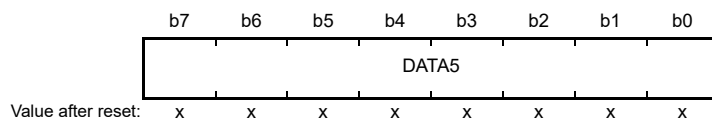
Address(es): [CAN0.MB0_D3 4005 0209h](#) to [CAN0.MB31_D3 4005 03F9h](#)



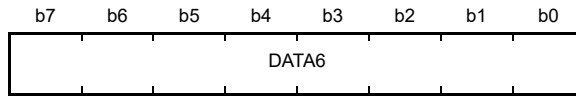
Address(es): [CAN0.MB0_D4 4005 020Ah](#) to [CAN0.MB31_D4 4005 03FAh](#)



Address(es): [CAN0.MB0_D5 4005 020Bh](#) to [CAN0.MB31_D5 4005 03FBh](#)

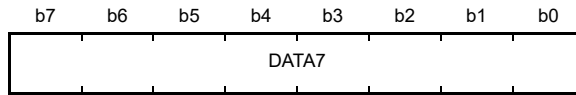


Address(es): CAN0.MB0_D6 4005 020Ch to CAN0.MB31_D6 4005 03FCh



Value after reset: x x x x x x x x

Address(es): CAN0.MB0_D7 4005 020Dh to CAN0.MB31_D7 4005 03FDh



Value after reset: x x x x x x x x

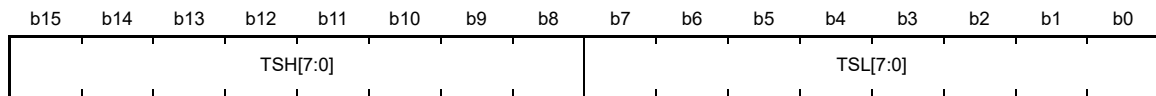
x: Undefined

| Bit | Symbol | Bit name | Description | R/W |
|----------|----------------|------------------------|---------------------------------------------------------------------------------------------------------------------------------------------------------------------------------------------------------------|-----|
| b7 to b0 | DATA0 to DATA7 | Data Bytes 0 to 7*1,*2 | DATA0 to DATA7 store the transmitted or received CAN message data. Transmission or reception starts from DATA0. The bit order on the CAN bus is MSB-first, and transmission or reception starts from bit [7]. | R/W |

Note 1. If the mailbox receives a message with n bytes, where n is less than 8 bytes, the DATA_n to DATA7 values in the mailbox are undefined.

Note 2. If the mailbox receives a remote frame, the previous values of DATA0 to DATA7 in the mailbox are saved.

Address(es): CAN0.MB0_TS 4005 020Eh to CAN0.MB31_TS 4005 03FEh



Value after reset: x x x x x x x x x x x x x x x x

x: Undefined

| Bit | Symbol | Bit name | Description | R/W |
|-----------|----------|------------------------|------------------------------------------------------------------------------------------------------------------------|-----|
| b7 to b0 | TSL[7:0] | Time Stamp Lower Byte | Bits TSH[7:0] and TSL[7:0] store the counter value of the time stamp when received messages are stored in the mailbox. | R/W |
| b15 to b8 | TSH[7:0] | Time Stamp Higher Byte | | R/W |

EID[17:0] bits (Extended ID)

The EID[17:0] bits set the extended ID of data and remote frames. These bits transmit or receive extended ID messages.

SID[10:0] bits (Standard ID)

The SID[10:0] bits set the standard ID of data and remote frames. These bits transmit or receive both standard ID and extended ID messages.

RTR bit (Remote Transmission Request)

The RTR bit sets the frame format to data frames or remote frames:

- The receive mailbox only receives frames with the format specified in the RTR bit
- The transmit mailbox only transmits frames with the format specified in the RTR bit
- Receive FIFO mailbox receives the data frame, remote frame, or both frames specified in the RTR bit in the FIDCR0 and FIDCR1 registers
- Transmit FIFO mailbox transmits the data frame or remote frame specified in the RTR bit in the relevant transmit message.

IDE bit (ID Extension)

The IDE bit sets the ID format to standard IDs or extended IDs. The IDE bit is enabled when the IDFM[1:0] bits in CTLR are 10b (mixed ID mode):

- The receive mailbox receives only the ID format specified in the IDE bit
- The transmit mailbox transmits with the ID format specified in the IDE bit
- The receive FIFO mailbox receives messages with the standard ID and extended ID settings specified in the IDE bit in the FIDCR0 and FIDCR1 registers
- The transmit FIFO mailbox transmits messages with the standard ID or extended ID settings specified in the IDE bit in the transmit message.

DLC[3:0] bits (Data Length Code)

The DLC[3:0] bits specify the data length to be transmitted in data frames. When a remote frame is used to request data, this field specifies the requested data length.

When a data frame is received, the received data length is stored in this field. When a remote frame is received, this field stores the requested data length.

30.2.7 Mailbox Interrupt Enable Register (MIER)

Address(es): CAN0.MIER 4005 042Ch

| | | | | | | | | | | | | | | | | |
|--------------------|------|------|------|------|------|------|------|------|------|------|------|------|------|------|------|------|
| | b31 | b30 | b29 | b28 | b27 | b26 | b25 | b24 | b23 | b22 | b21 | b20 | b19 | b18 | b17 | b16 |
| | MB31 | MB30 | MB29 | MB28 | MB27 | MB26 | MB25 | MB24 | MB23 | MB22 | MB21 | MB20 | MB19 | MB18 | MB17 | MB16 |
| Value after reset: | x | x | x | x | x | x | x | x | x | x | x | x | x | x | x | x |
| | b15 | b14 | b13 | b12 | b11 | b10 | b9 | b8 | b7 | b6 | b5 | b4 | b3 | b2 | b1 | b0 |
| | MB15 | MB14 | MB13 | MB12 | MB11 | MB10 | MB9 | MB8 | MB7 | MB6 | MB5 | MB4 | MB3 | MB2 | MB1 | MB0 |
| Value after reset: | x | x | x | x | x | x | x | x | x | x | x | x | x | x | x | x |

x: Undefined

| Bit | Symbol | Bit name | Description | R/W |
|-----------|-------------|------------------|-----------------------------------------------------------------------------------------------------------------------------------------|-----|
| b31 to b0 | MB31 to MB0 | Interrupt Enable | 0: Interrupt disabled 1: Interrupt enabled. Bit [31] corresponds to mailbox 31 (MB31) and bit [0] corresponds to mailbox 0 (MB0). | R/W |

The MIER register allows independent enabling of interrupts for each mailbox. This register is available in normal mailbox mode. Do not access this register in FIFO mailbox mode. Each bit is associated with a mailbox with the same number. These bits enable or disable transmission or reception complete interrupts for the associated mailboxes as follows:

- Bit [0] in MIER is associated with mailbox 0 (MB0)
- Bit [31] in MIER is associated with mailbox 31 (MB31).

Write to MIER only when the related MCTL_TXj or MCTL_RXj (j = 0 to 31) register is 00h and the associated mailbox does not process a transmission or reception abort request.

30.2.8 Mailbox Interrupt Enable Register for FIFO Mailbox Mode (MIER_FIFO)

Address(es): CAN0.MIER_FIFO 4005 042Ch

| | | | | | | | | | | | | | | | | |
|--------------------|------|------|------|------|------|------|------|------|------|------|------|------|------|------|------|------|
| | b31 | b30 | b29 | b28 | b27 | b26 | b25 | b24 | b23 | b22 | b21 | b20 | b19 | b18 | b17 | b16 |
| | — | — | MB29 | MB28 | — | — | MB25 | MB24 | MB23 | MB22 | MB21 | MB20 | MB19 | MB18 | MB17 | MB16 |
| Value after reset: | x | x | x | x | x | x | x | x | x | x | x | x | x | x | x | x |
| | b15 | b14 | b13 | b12 | b11 | b10 | b9 | b8 | b7 | b6 | b5 | b4 | b3 | b2 | b1 | b0 |
| | MB15 | MB14 | MB13 | MB12 | MB11 | MB10 | MB9 | MB8 | MB7 | MB6 | MB5 | MB4 | MB3 | MB2 | MB1 | MB0 |
| Value after reset: | x | x | x | x | x | x | x | x | x | x | x | x | x | x | x | x |

x: Undefined

| Bit | Symbol | Bit name | Description | R/W |
|-----------|-------------|----------------------------------------------------|------------------------------------------------------------------------------------------------------------------------------------------|-----|
| b23 to b0 | MB23 to MB0 | Interrupt Enable | 0: Interrupt disabled 1: Interrupt enabled. Bit [23] corresponds to mailbox 23 (MB23) and bit [0] corresponds to mailbox 0 (MB0). | R/W |
| b24 | MB24 | Transmit FIFO Interrupt Enable | 0: Interrupt disabled 1: Interrupt enabled. | R/W |
| b25 | MB25 | Transmit FIFO Interrupt Generation Timing Control | 0: Generated every time transmission completes 1: Generated when the transmit FIFO empties on completion of transmission. | R/W |
| b27, b26 | — | Reserved | The read value is undefined. The write value should be 0. | R/W |
| b28 | MB28 | Receive FIFO Interrupt Enable | 0: Interrupt disabled 1: Interrupt enabled. | R/W |
| b29 | MB29 | Receive FIFO Interrupt Generation Timing Control*1 | 0: Generated every time reception is complete 1: Generated when the receive FIFO becomes buffer warning*2 on completion of reception. | R/W |
| b31, b30 | — | Reserved | The read value is undefined. The write value should be 0. | R/W |

Note 1. No interrupt request is generated when the receive FIFO becomes buffer warning from full.

Note 2. Buffer warning indicates a state in which the third message is stored in the receive FIFO.

The MIER_FIFO register allows for independent enabling of interrupts for each mailbox and FIFO. This register is available in FIFO mailbox mode. Do not access this register in normal mailbox mode.

The MB0 to MB23 bits are associated with the mailbox of the same number. These bits enable or disable transmission and reception complete interrupts for the associated mailboxes:

- Bit [0] in MIER_FIFO is associated with mailbox 0 (MB0)
- Bit [23] in MIER_FIFO is associated with mailbox 23 (MB23).

The MB24, MB25, MB28 and MB29 bits specify whether transmit and receive FIFO interrupts are enabled or disabled and the timing when interrupt requests are generated.

Write to the MIER_FIFO register only when the related MCTL_TXj or MCTL_RXj (j = 0 to 31) is 00h and the associated mailbox does not process a transmission or reception abort request. In addition, change the bits in MIER_FIFO for the related FIFO only when all the following conditions are met:

- The TFE bit in TFCR is 0 and the TFEST bit is 1
- The RFE bit in RFCR is 0 and the RFEST bit in RFCR is 1.

30.2.9 Message Control Registers for Transmit (MCTL_TXj) (j = 0 to 31)

- Transmit mode (when the TRMREQ bit is 1 and the RECREQ bit is 0)

Address(es): CAN0.MCTL_TX0 4005 0820h to CAN0.MCTL_TX31 4005 083Fh

| b7 | b6 | b5 | b4 | b3 | b2 | b1 | b0 |
|--------|--------|----|---------|----|--------|-----------|----------|
| TRMREQ | RECREQ | — | ONESHOT | — | TRMABT | TRMACTIVE | SENTDATA |

Value after reset: 0 0 0 0 0 0 0 0

| Bit | Symbol | Bit name | Description | R/W |
|-----|-----------|---------------------------------------|----------------------------------------------------------------------------------------------------------------------------------------------------------------|-----|
| b0 | SENTDATA | Transmission Complete Flag*1,*2 | 0: Transmission not complete 1: Transmission is complete. | R/W |
| b1 | TRMACTIVE | Transmission-in-Progress Status Flag | 0: Transmission pending or transmission is not requested 1: Transmission in progress. | R |
| b2 | TRMABT | Transmission Abort Complete Flag*1,*2 | 0: Transmission started, transmission abort failed because transmission is complete, or transmission abort not requested 1: Transmission abort is complete. | R/W |
| b3 | — | Reserved | This bit is read as 0. The write value should be 0. | R/W |
| b4 | ONESHOT | One-Shot Enable*2,*3 | 0: Disable one-shot transmission 1: Enable one-shot transmission. | R/W |
| b5 | — | Reserved | This bit is read as 0. The write value should be 0. | R/W |
| b6 | RECREQ | Receive Mailbox Request *2,*3,*4,*5 | 0: Do not configure for reception 1: Configure for reception. | R/W |
| b7 | TRMREQ | Transmit Mailbox Request *2,*4 | 0: Do not configure for transmission 1: Configure for transmission. | R/W |

Note 1. Write 0 only. Writing 1 has no effect.

Note 2. When writing to bits of this register, write 1 to the SENTDATA and TRMABT flags if they are not the write target.

Note 3. To enter one-shot transmit mode, write 1 to the ONESHOT bit at the same time as setting the TRMREQ bit to 1. To exit one-shot transmit mode, write 0 to the ONESHOT bit after the message is transmitted or aborted.

Note 4. Do not set both the RECREQ and TRMREQ bits to 1.

Note 5. When setting the RECREQ bit to 0, set the SENTDATA, TRMACTIVE, and TRMABT flags to 0 simultaneously.

The MCTL_TXj register configures mailbox j to transmit mode or receive mode. In transmit mode, MCTL_TXj also controls and indicates the status of transmission. Do not access the MCTL_TXj register if mailbox j is in receive mode.

Only write to the MCTL_TXj register in CAN operation mode or CAN halt mode. Do not use MCTL_TX24 to MCTL_TX31 in FIFO mailbox mode.

SENTDATA flag (Transmission Complete Flag)

The SENTDATA flag is set to 1 when data transmission from the associated mailbox is complete. This flag is set to 0 by writing 0 to it.

To set this flag to 0, first set the TRMREQ bit to 0. The SENTDATA flag and the TRMREQ bit cannot be set to 0 simultaneously. To transmit a new message from the corresponding mailbox, set the SENTDATA flag to 0.

TRMACTIVE flag (Transmission-in-Progress Status Flag)

The TRMACTIVE flag is set to 1 when the associated mailbox of the CAN module begins to transmit a message. The TRMACTIVE flag is set to 0 when the CAN module loses the CAN bus arbitration, a CAN bus error occurs, or data transmission is complete.

TRMABT flag (Transmission Abort Complete Flag)

The TRMABT flag is set to 1 in the following cases:

- Following a transmission abort request, when the transmission abort completes before starting transmission
- Following a transmission abort request when the CAN module detects a CAN bus arbitration-lost or a CAN bus

error

- In one-shot transmission mode (RECREQ bit = 0, TRMREQ bit = 1, and ONESHOT bit = 1), when the CAN module detects a CAN bus arbitration-lost or a CAN bus error.

The TRMABT flag is not set to 1 when data transmission is complete. In this case, the SENTDATA flag is set to 1 and the TRMABT flag is set to 0 through a software write.

ONESHOT bit (One-Shot Enable)

When the ONESHOT bit is set to 1 in transmit mode (RECREQ bit = 0 and TRMREQ bit = 1), the CAN module transmits a one-time message. The CAN module does not transmit the message again if a CAN bus error or CAN bus arbitration-lost occurs. When transmission is complete, the SENTDATA flag is set to 1. If transmission is not complete due to a CAN bus error or CAN bus arbitration-lost, the TRMABT flag is set to 1. Set the ONESHOT bit to 0 after the SENTDATA or TRMABT flag is set to 1.

RECREQ bit (Receive Mailbox Request)

The RECREQ bit selects the receive modes listed in [Table 30.10](#).

When the RECREQ bit is set to 1, the associated mailbox is configured for reception of a data frame or a remote frame.

When the RECREQ bit is set to 0, the associated mailbox is not configured for reception of a data frame or a remote frame.

Due to hardware protection, the RECREQ bit cannot be set to 0 through a software write during the following period:

- Hardware protection is started from acceptance filter processing (the beginning of the CRC field)
- Hardware protection is released:
 - For the mailbox that is specified to receive the incoming message, after the received data is stored into the mailbox or a CAN bus error occurs. This means that the maximum period of a hardware protection is from the beginning of the CRC field to the end of the 7th bit of EOF.
 - For the other mailboxes, after the acceptance filter processing
 - If no mailbox is specified to receive the message, after the acceptance filter processing.

When setting the RECREQ bit to 1, do not set the TRMREQ bit to 1. To change the configuration of a mailbox from transmission to reception, first abort the transmission then set bits SENTDATA and TRMABT to 0 before changing to reception.

Note: MCTL_TXj.RECREQ is the mirror bit of MCTL_RXj.REQREQ.

TRMREQ bit (Transmit Mailbox Request)

The TRMREQ bit selects transmit modes listed in [Table 30.10](#).

When the TRMREQ bit is set to 1, the associated mailbox is configured for transmission of a data frame or a remote frame.

When the TRMREQ bit is set to 0, the associated mailbox is not configured for transmission of a data frame or a remote frame.

If the TRMREQ bit is changed from 1 to 0 to cancel the associated transmission request, either the TRMABT or SENTDATA flag is set to 1. When setting the TRMREQ bit to 1, do not set the RECREQ bit to 1. To change the configuration of a mailbox from reception to transmission, first abort the reception, then set the NEWDATA and MSGLOST flags to 0 before changing to transmission.

Note: MCTL_TXj.TRMREQ is the mirror bit of MCTL_RXj.TRMREQ.

30.2.10 Message Control Register for Receive (MCTL_RXj) (j = 0 to 31)

- Receive mode (when the TRMREQ bit is 0 and the RECREQ bit is 1)

Address(es): CAN0.MCTL_RX0 4005 0820h to CAN0.MCTL_RX31 4005 083Fh

| b7 | b6 | b5 | b4 | b3 | b2 | b1 | b0 |
|--------|--------|----|---------|----|---------|------------|---------|
| TRMREQ | RECREQ | — | ONESHOT | — | MSGLOST | INVALIDATA | NEWDATA |
| Q | Q | | OT | | OST | ATA | ATA |
| 0 | 0 | 0 | 0 | 0 | 0 | 0 | 0 |

Value after reset:

| Bit | Symbol | Bit name | Description | R/W |
|-----|------------|------------------------------------|------------------------------------------------------------------------------------------------------------------------------|-----|
| b0 | NEWDATA | Reception Complete Flag*1,*2 | 0: No data was received, or 0 is written to the NEWDATA flag 1: New message is being stored or was stored in the mailbox. | R/W |
| b1 | INVALIDATA | Reception-in-Progress Status Flag | 0: Message valid 1: Message updated. | R |
| b2 | MSGLOST | Message Lost Flag*1,*2 | 0: Message is not overwritten or overrun 1: Message is overwritten or overrun. | R/W |
| b3 | — | Reserved | This bit is read as 0. The write value should be 0. | R/W |
| b4 | ONESHOT | One-Shot Enable*2,*3 | 0: Disable one-shot reception 1: Enable one-shot reception. | R/W |
| b5 | — | Reserved | This bit is read as 0. The write value should be 0. | R/W |
| b6 | RECREQ | Receive Mailbox Request*2,*3,*4,*5 | 0: Do not configure for reception 1: Configure for reception. | R/W |
| b7 | TRMREQ | Transmit Mailbox Request*2,*4 | 0: Do not configure for transmission 1: Configure for transmission. | R/W |

Note 1. Write 0 only. Writing 1 has no effect.

Note 2. When writing to bits in this register, write 1 to the NEWDATA and MSGLOST flags if they are not the write target.

Note 3. To enter one-shot receive mode, write 1 to the ONESHOT bit at the same time as setting the RECREQ bit to 1.

To exit one-shot receive mode, write 0 to the ONESHOT bit after writing 0 to the RECREQ bit and confirming that it is set to 0.

Note 4. Do not set both the RECREQ and TRMREQ bits to 1.

Note 5. When setting the RECREQ bit to 0, set MSGLOST, NEWDATA, and RECREQ to 0 simultaneously.

MCTL_RXj configures mailbox j to transmit mode or receive mode. In receive mode, MCTL_RXj also controls and indicates status of reception.

Do not access MCTL_RXj if mailbox j is in transmit mode. Write to the MCTL_RXj in CAN operation mode or CAN halt mode. Do not use MCTL_RX24 to MCTL_RX31 in FIFO mailbox mode.

NEWDATA flag (Reception Complete Flag)

The NEWDATA flag is set to 1 when a new message is being stored or was stored in the mailbox. Always set this bit to 1 simultaneously with the INVALIDATA flag. The NEWDATA flag is set to 0 through a software write. The NEWDATA flag cannot be set to 0 through a software write when the associated INVALIDATA flag is 1.

INVALIDATA flag (Reception-in-Progress Status Flag)

After the completion of a message reception, the INVALIDATA flag is set to 1 while the received message is updated in the associated mailbox. The INVALIDATA flag is set to 0 immediately after the message is stored. If the mailbox is read while the INVALIDATA flag is 1, the data is undefined.

MSGLOST flag (Message Lost Flag)

The MSGLOST flag is set to 1 when the mailbox is overwritten or overrun by a new received message while the NEWDATA flag is 1. The MSGLOST flag is set to 1 at the end of the 6th bit of EOF. The MSGLOST flag is set to 0 through a software write.

In both overwrite and overrun modes, the MSGLOST flag cannot be set to 0 through a software write during 5 PCLKB cycles following the 6th bit of EOF.

ONESHOT bit (One-Shot Enable)

When the ONESHOT bit is set to 1 in receive mode (RECREQ bit = 1 and TRMREQ bit = 0), the mailbox receives a one-time message. The mailbox does not behave as a receive mailbox after it receives the message. The behavior of the NEWDATA and INVALIDDATA flags is the same as in normal receive mode. In one-shot receive mode, the MSGLOST flag is not set to 1. To set the ONESHOT bit to 0, first write 0 to the RECREQ bit and ensure that it is set to 0.

RECREQ bit (Receive Mailbox Request)

The RECREQ bit selects receive modes listed in [Table 30.10](#).

When the RECREQ bit is set to 1, the corresponding mailbox is configured for reception of a data frame or a remote frame.

Due to hardware protection, the RECREQ bit cannot be set to 0 through a software write during the following period:

- Hardware protection is started from the acceptance filter processing (the beginning of the CRC field)
- Hardware protection is released:
 - For the mailbox that is specified to receive the incoming message, after the received data is stored into the mailbox or a CAN bus error occurs. The maximum period of hardware protection is from the beginning of the CRC field to the end of the 7th bit of EOF.
 - For the other mailboxes, after the acceptance filter processing
 - If no mailbox is specified to receive the message, after the acceptance filter processing.

When setting the RECREQ bit to 1, do not set the TRMREQ bit to 1. To change the configuration of a mailbox from transmission to reception, first abort the transmission and then set the SENTDATA and TRMABT flags to 0 before changing to reception.

Note: MCTL_RXj.RECREQ is the mirror bit of MCTL_TXj.REQREQ.

TRMREQ bit (Transmit Mailbox Request)

The TRMREQ bit selects transmit modes listed in [Table 30.10](#).

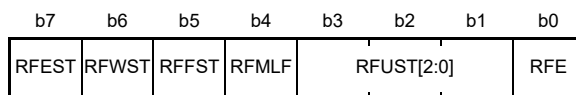
When the TRMREQ bit is set to 1, the associated mailbox is configured for transmission of a data frame or a remote frame.

If the TRMREQ bit changes from 1 to 0 to cancel the associated transmission request, either the TRMABT flag or the SENTDATA flag is set to 1. When setting the TRMREQ bit to 1, do not set the RECREQ bit to 1. To change the configuration of a mailbox from reception to transmission, first abort the reception, then set the NEWDATA and MSGLOST flags to 0 before changing to transmission.

Note: MCTL_RXj.TRMREQ is the mirror bit of MCTL_TXj.TRMREQ.

30.2.11 Receive FIFO Control Register (RFCR)

Address(es): CAN0.RFCR 4005 0848h



Value after reset: 1 0 0 0 0 0 0 0

| Bit | Symbol | Bit name | Description | R/W |
|-----|--------|---------------------|----------------------------------------------------|-----|
| b0 | RFE | Receive FIFO Enable | 0: Disable receive FIFO 1: Enable receive FIFO. | R/W |

| Bit | Symbol | Bit name | Description | R/W |
|----------|------------|-------------------------------------------|------------------------------------------------------------------------------------------------------------------------------------------------------------------------------------------------------------|-----|
| b3 to b1 | RFUST[2:0] | Receive FIFO Unread Message Number Status | b3 b1 0 0 0: No unread message 0 0 1: 1 unread message 0 1 0: 2 unread messages 0 1 1: 3 unread messages 1 0 0: 4 unread messages 1 0 1: Reserved 1 1 0: Reserved 1 1 1: Reserved. | R |
| b4 | RFMLF | Receive FIFO Message Lost Flag | 0: Receive FIFO message not lost 1: Receive FIFO message lost. | R/W |
| b5 | RFFST | Receive FIFO Full Status Flag | 0: Receive FIFO not full 1: Receive FIFO full (4 unread messages). | R |
| b6 | RFWST | Receive FIFO Buffer Warning Status Flag | 0: Receive FIFO has no buffer warning 1: Receive FIFO has buffer warning (3 unread messages). | R |
| b7 | RFEST | Receive FIFO Empty Status Flag | 0: Unread message in receive FIFO 1: No unread message in receive FIFO. | R |

Write to RFCR in CAN operation mode or CAN halt mode.

RFE bit (Receive FIFO Enable)

When the RFE bit is set to 1, the receive FIFO is enabled. When the RFE bit is set to 0, the receive FIFO is disabled for reception and becomes empty (RFEST bit = 1). Write 0 to the RFE bit simultaneously with setting the RFMLF flag.

Do not set this bit to 1 in normal mailbox mode (MBM bit in CTLR = 0). Due to hardware protection, the RFE bit is not set to 0 through a software write during the following period:

- Hardware protection is started from the acceptance filter processing (the beginning of the CRC field)
- Hardware protection is released:
 - If the receive FIFO is specified to receive the incoming message, after the received data is stored into the receive FIFO or a CAN bus error occurs. The maximum period of hardware protection is from the beginning of the CRC field to the end of 7th bit of EOF.
 - If the receive FIFO is not specified to receive the message, after the acceptance filter processing.

RFUST[2:0] bits (Receive FIFO Unread Message Number Status)

The RFUST[2:0] bits indicate the number of unread messages in the receive FIFO. The value of the RFUST[2:0] bits is initialized to 000b when the RFE bit is set to 0.

RFMLF flag (Receive FIFO Message Lost Flag)

The RFMLF bit is set to 1 (receive FIFO message lost) when the receive FIFO receives a new message and is full. This flag is set to 1 at the end of the 6th bit of EOF.

The RFMLF bit is set to 0 through a software write (writing 1 has no effect). In both overwrite and overrun modes, if the receive FIFO is full and determined to receive a message, the RFMLF flag cannot be set to 0 (no receive FIFO message lost) through a software write during 5 PCLKB cycles following the 6th bit of EOF, due to hardware protection.

RFFST flag (Receive FIFO Full Status Flag)

The RFFST flag is set to 1 (receive FIFO is full) when the number of unread messages in the receive FIFO is 4. The RFFST flag is 0 (receive FIFO is not full) when the number of unread messages in the receive FIFO is less than 4. The RFFST flag is set to 0 when the RFE bit is 0.

RFWST flag (Receive FIFO Buffer Warning Status Flag)

The RFWST flag is set to 1 (receive FIFO buffer warning) when the number of unread messages in the receive FIFO is 3. The RFWST flag is 0 (no receive FIFO buffer warning) when the number of unread messages in the receive FIFO is less than 3 or equal to 4. The RFWST flag is set to 0 when the RFE bit is 0.

RFEST flag (Receive FIFO Empty Status Flag)

The RFEST flag is set to 1 (no unread message in receive FIFO) when the number of unread messages in the receive FIFO is 0. The RFEST bit is set to 1 when the RFE bit is set to 0. The RFEST flag is set to 0 (unread message in receive FIFO) when the number of unread messages in the receive FIFO is one or more.

Figure 30.2 shows the receive FIFO mailbox operation.

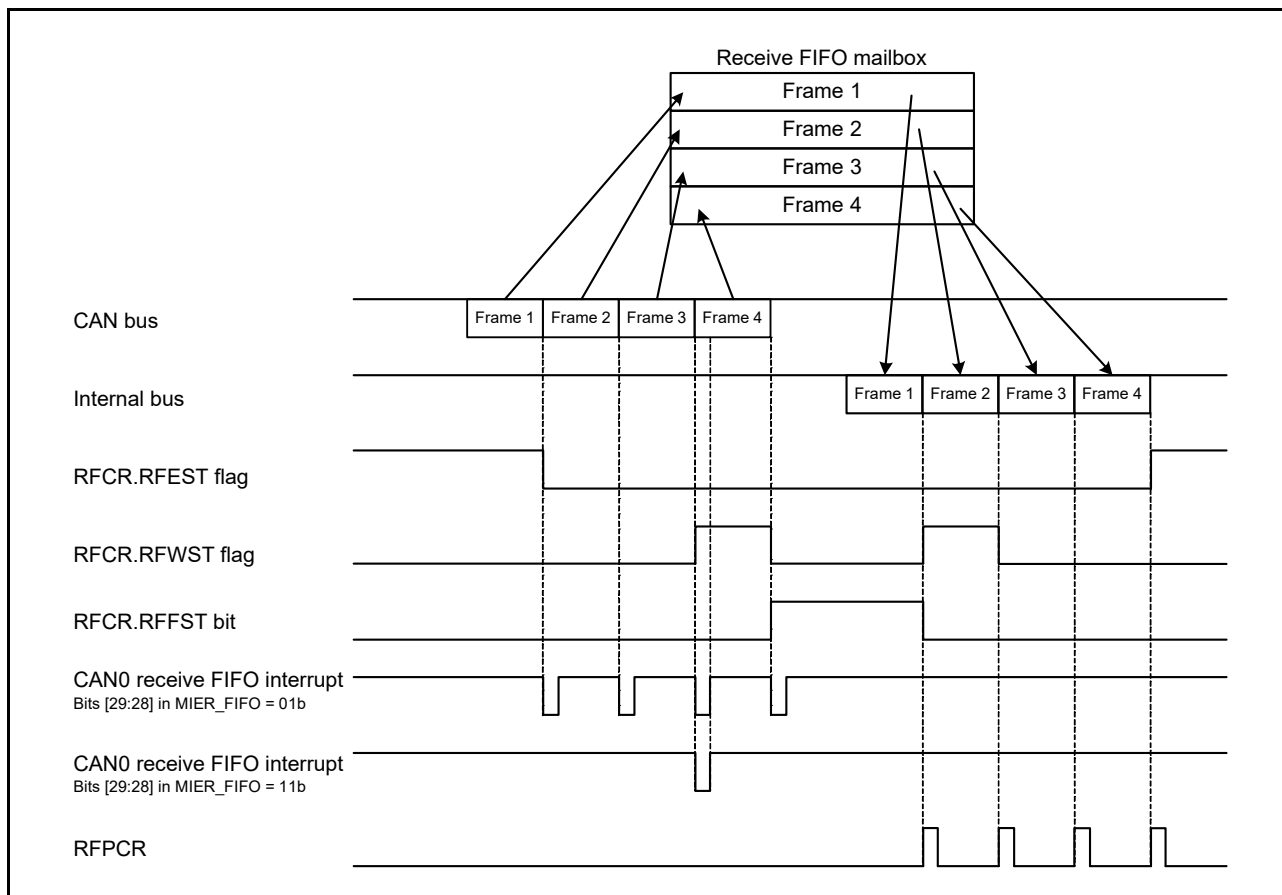
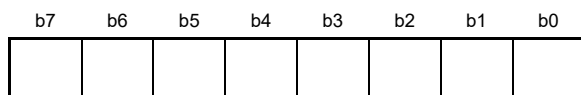


Figure 30.2 Receive FIFO mailbox operation with bits [29:28] in MIER_FIFO = 01b or 11b

30.2.12 Receive FIFO Pointer Control Register (RFPCR)

Address(es): CAN0.RFPCR 4005 0849h



Value after reset:

x x x x x x x x

x: Undefined

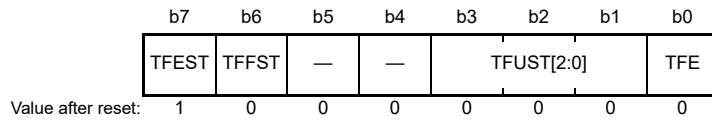
| Bit | Description | R/W |
|----------|-----------------------------------------------------------------------------|-----|
| b7 to b0 | The CPU pointer for the receive FIFO is incremented by writing FFh to RFPCR | W |

When the receive FIFO is not empty, write FFh to RFPCR through software to increment the CPU pointer for the receive FIFO to the next mailbox location. Do not write to the RFPCR when the RFE bit in RFCR is 0 (receive FIFO disabled).

Both the CAN and CPU pointers are incremented when a new message is received and the RFFST flag is 1 (receive FIFO is full) in overwrite mode. When the RFMLF flag is 1 in this condition, the CPU pointer cannot be incremented on a software write to RFPCR.

30.2.13 Transmit FIFO Control Register (TFCR)

Address(es): CAN0.TFCR 4005 084Ah



| Bit | Symbol | Bit name | Description | R/W | | | | | | | | | | | | | | | | | | | | | | | | | | | |
|----------|------------|--------------------------------------------|------------------------------------------------------------------------------------------------------------------------------------------------------------------------------------------------------------------------------------------------------------------------------------------------------------------------------------------------------------------------------------------------------------------------------------------------------------------------------------------------------------------------------------------------------------------------------------------------------------------------------------------------------------------|-----|----|--|-------|---|-------------------|-------|---|------------------|-------|---|-------------------|-------|---|-------------------|-------|---|-------------------|-------|---|----------|-------|---|----------|-------|---|-----------|---|
| b0 | TFE | Transmit FIFO Enable | 0: Disable transmit FIFO 1: Enable transmit FIFO. | R/W | | | | | | | | | | | | | | | | | | | | | | | | | | | |
| b3 to b1 | TFUST[2:0] | Transmit FIFO Unsent Message Number Status | <table style="font-size: small; border: none;"> <tr> <td style="text-align: right;">b3</td> <td style="text-align: right;">b1</td> <td></td> </tr> <tr> <td>0 0 0</td> <td>0</td> <td>0 unsent messages</td> </tr> <tr> <td>0 0 1</td> <td>1</td> <td>1 unsent message</td> </tr> <tr> <td>0 1 0</td> <td>2</td> <td>2 unsent messages</td> </tr> <tr> <td>0 1 1</td> <td>3</td> <td>3 unsent messages</td> </tr> <tr> <td>1 0 0</td> <td>4</td> <td>4 unsent messages</td> </tr> <tr> <td>1 0 1</td> <td>1</td> <td>Reserved</td> </tr> <tr> <td>1 1 0</td> <td>0</td> <td>Reserved</td> </tr> <tr> <td>1 1 1</td> <td>1</td> <td>Reserved.</td> </tr> </table> | b3 | b1 | | 0 0 0 | 0 | 0 unsent messages | 0 0 1 | 1 | 1 unsent message | 0 1 0 | 2 | 2 unsent messages | 0 1 1 | 3 | 3 unsent messages | 1 0 0 | 4 | 4 unsent messages | 1 0 1 | 1 | Reserved | 1 1 0 | 0 | Reserved | 1 1 1 | 1 | Reserved. | R |
| b3 | b1 | | | | | | | | | | | | | | | | | | | | | | | | | | | | | | |
| 0 0 0 | 0 | 0 unsent messages | | | | | | | | | | | | | | | | | | | | | | | | | | | | | |
| 0 0 1 | 1 | 1 unsent message | | | | | | | | | | | | | | | | | | | | | | | | | | | | | |
| 0 1 0 | 2 | 2 unsent messages | | | | | | | | | | | | | | | | | | | | | | | | | | | | | |
| 0 1 1 | 3 | 3 unsent messages | | | | | | | | | | | | | | | | | | | | | | | | | | | | | |
| 1 0 0 | 4 | 4 unsent messages | | | | | | | | | | | | | | | | | | | | | | | | | | | | | |
| 1 0 1 | 1 | Reserved | | | | | | | | | | | | | | | | | | | | | | | | | | | | | |
| 1 1 0 | 0 | Reserved | | | | | | | | | | | | | | | | | | | | | | | | | | | | | |
| 1 1 1 | 1 | Reserved. | | | | | | | | | | | | | | | | | | | | | | | | | | | | | |
| b5, b4 | — | Reserved | These bits are read as 0. The write value should be 0. | R/W | | | | | | | | | | | | | | | | | | | | | | | | | | | |
| b6 | TFFST | Transmit FIFO Full Status | 0: Transmit FIFO is not full 1: Transmit FIFO is full (4 unsent messages). | R | | | | | | | | | | | | | | | | | | | | | | | | | | | |
| b7 | TFEST | Transmit FIFO Empty Status | 0: Unsent message in transmit FIFO 1: No unsent message in transmit FIFO. | R | | | | | | | | | | | | | | | | | | | | | | | | | | | |

Write to TFCR in CAN operation mode or CAN halt mode.

TFE bit (Transmit FIFO Enable)

When the TFE bit is set to 1, the transmit FIFO is enabled.

When the TFE bit is set to 0, the transmit FIFO becomes empty (TFEST bit = 1), and unsent messages from the transmit FIFO are lost as follows:

- Immediately if a message from the transmit FIFO is not scheduled for the next transmission or already in transmission
- Following the completion of transmission, a CAN bus error, CAN bus arbitration-lost, or entry to CAN halt mode if a message from the transmit FIFO is scheduled for the next transmission or already in transmission.

Before setting the TFE bit to 1 again, ensure that the TFEST bit is set to 1. After setting the TFE bit to 1, write transmit data to mailbox 24.

Do not set the TFE bit to 1 in normal mailbox mode (MBM bit in CTRL = 0).

TFUST[2:0] bits (Transmit FIFO Unsent Message Number Status)

The TFUST[2:0] bits indicate the number of unsent messages in the transmit FIFO. The TFUST[2:0] bits are set to 000b after the TFE bit is set to 0 and transmission is aborted or completed.

TFFST bit (Transmit FIFO Full Status)

The TFFST bit is set to 1 (transmit FIFO is full) when the number of unsent messages in the transmit FIFO is 4. The TFFST bit is set to 0 (transmit FIFO is not full) when the number of unsent messages in the transmit FIFO is less than 4. The TFFST bit is set to 0 when transmission from the transmit FIFO is aborted.

TFEST bit (Transmit FIFO Empty Status)

The TFEST bit is set to 1 (no message in transmit FIFO) when the number of unsent messages in the transmit FIFO is 0. The TFEST bit is set to 1 when transmission from the transmit FIFO is aborted. The TFEST bit is set to 0 (message in transmit FIFO) when the number of unsent messages in the transmit FIFO is not 0.

Figure 30.3 shows the transmit FIFO mailbox operation.

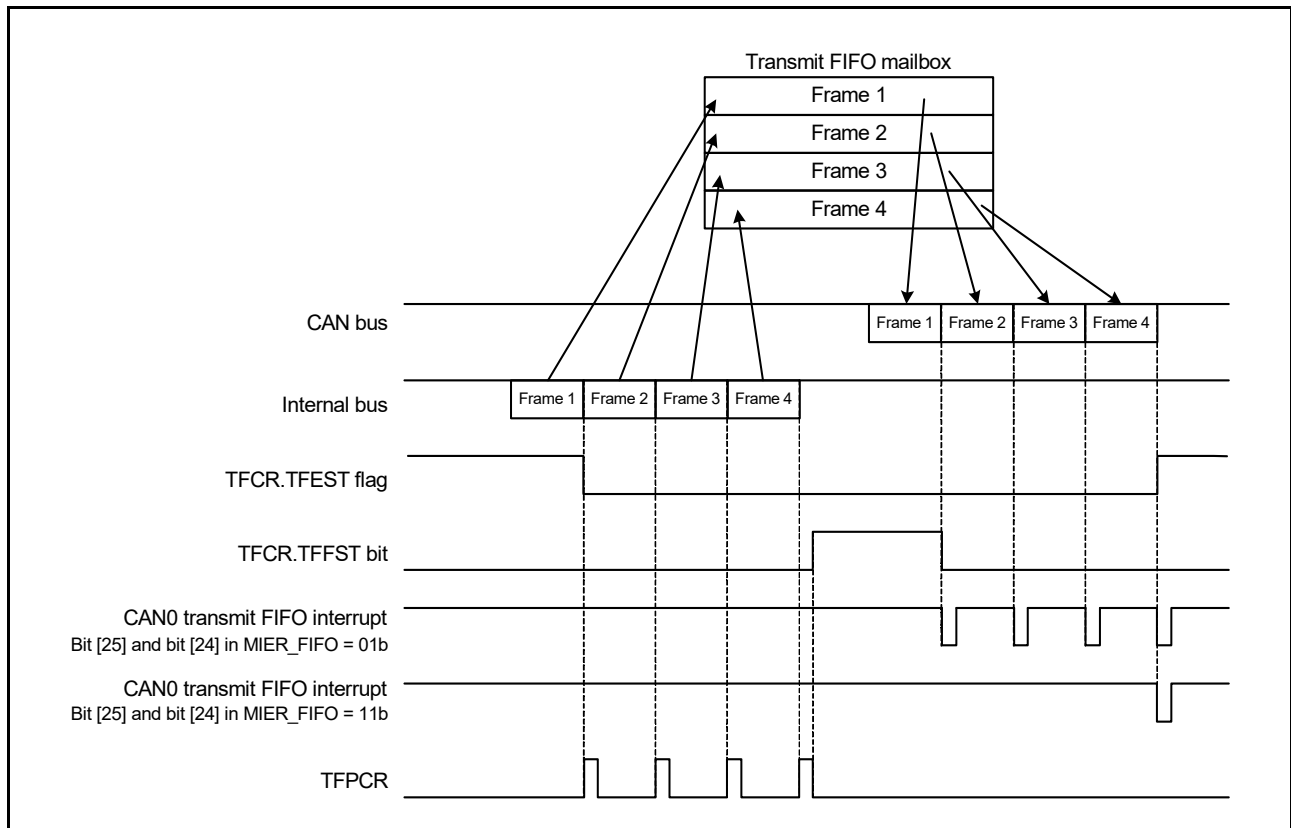
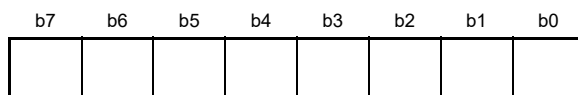


Figure 30.3 Transmit FIFO mailbox operation when MIER_FIFO[25:24] = 01b or 11b

30.2.14 Transmit FIFO Pointer Control Register (TFPCR)

Address(es): CAN0.TFPCR 4005 084Bh



Value after reset: x x x x x x x x

x: Undefined

| Bit | Description | R/W |
|----------|------------------------------------------------------------------------------|-----|
| b7 to b0 | The CPU pointer for the transmit FIFO is incremented by writing FFh to TFPCR | W |

When the transmit FIFO is not full, write FFh to the TFPCR register through software to increment the CPU pointer for the transmit FIFO to the next mailbox location.

Do not write to TFPCR when the TFE bit in TFCR is 0 (transmit FIFO disabled).

30.2.15 Status Register (STR)

Address(es): CAN0.STR 4005 0842h

| | | | | | | | | | | | | | | | | |
|--------------------|-----|-------|-------|------|------|-------|-------|-------|-----|-------|-------|-------|------|------|------|------|
| | b15 | b14 | b13 | b12 | b11 | b10 | b9 | b8 | b7 | b6 | b5 | b4 | b3 | b2 | b1 | b0 |
| | — | RECST | TRMST | BOST | EPST | SLPST | HLTST | RSTST | EST | TABST | FMLST | NMLST | TFST | RFST | SDST | NDST |
| Value after reset: | 0 | 0 | 0 | 0 | 0 | 1 | 0 | 1 | 0 | 0 | 0 | 0 | 0 | 0 | 0 | 0 |

| Bit | Symbol | Bit name | Description | R/W |
|-----|--------|-----------------------------------------|------------------------------------------------------------------------------------------|-----|
| b0 | NDST | NEWDATA Status Flag | 0: No mailbox with NEWDATA bit = 1 1: 1 or more mailboxes with NEWDATA bit = 1. | R |
| b1 | SDST | SENTDATA Status Flag | 0: No mailbox with SENTDATA bit = 1 1: 1 or more mailboxes with SENTDATA bit = 1. | R |
| b2 | RFST | Receive FIFO Status Flag | 0: Receive FIFO empty 1: Message in receive FIFO. | R |
| b3 | TFST | Transmit FIFO Status Flag | 0: Transmit FIFO is full 1: Transmit FIFO is not full. | R |
| b4 | NMLST | Normal Mailbox Message Lost Status Flag | 0: No mailbox with MSGLOST bit = 1 1: One or more mailboxes with MSGLOST bit = 1. | R |
| b5 | FMLST | FIFO Mailbox Message Lost Status Flag | 0: RFMLF bit = 0 1: RFMLF bit = 1. | R |
| b6 | TABST | Transmission Abort Status Flag | 0: No mailbox with TRMABT bit = 1 1: 1 or more mailboxes with TRMABT bit = 1. | R |
| b7 | EST | Error Status Flag | 0: No error occurred 1: Error occurred. | R |
| b8 | RSTST | CAN Reset Status Flag | 0: Not in CAN reset mode 1: In CAN reset mode. | R |
| b9 | HLTST | CAN Halt Status Flag | 0: Not in CAN halt mode 1: In CAN halt mode. | R |
| b10 | SLPST | CAN Sleep Status Flag | 0: Not in CAN sleep mode 1: In CAN sleep mode. | R |
| b11 | EPST | Error-Passive Status Flag | 0: Not in error-passive state 1: In error-passive state. | R |
| b12 | BOST | Bus-Off Status Flag | 0: Not in bus-off state 1: In bus-off state. | R |
| b13 | TRMST | Transmit Status Flag | 0: Bus idle or reception in progress 1: Transmission in progress or in bus-off state. | R |
| b14 | RECST | Receive Status Flag | 0: Bus idle or transmission in progress 1: Reception in progress. | R |
| b15 | — | Reserved | The read value is 0 | R |

NDST flag (NEWDATA Status Flag)

The NDST flag is set to 1 when at least one NEWDATA flag in MCTL_RXj (j = 0 to 31) is 1, regardless of the value of MIER or MIER_FIFO. The NDST flag is set to 0 when all NEWDATA flags are 0.

SDST flag (SENTDATA Status Flag)

The SDST flag is set to 1 when at least one SENTDATA flag in MCTL_TXj (j = 0 to 31) is 1 regardless of the value of MIER or MIER_FIFO. The SDST flag is set to 0 when all SENTDATA flags are 0.

RFST flag (Receive FIFO Status Flag)

The RFST flag is set to 1 when the receive FIFO is not empty. The RFST flag is set to 0 when the receive FIFO is empty or normal mailbox mode is selected.

TFST flag (Transmit FIFO Status Flag)

The TFST flag is set to 1 when the transmit FIFO is not full. The TFST flag is set to 0 when the transmit FIFO is full or normal mailbox mode is selected.

NMLST flag (Normal Mailbox Message Lost Status Flag)

The NMLST flag is set to 1 when at least one MSGLOST flag in MCTL_RXj (j = 0 to 31) is 1, regardless of the value of MIER or MIER_FIFO. The NMLST flag is set to 0 when all MSGLOST flags are 0.

FMLST flag (FIFO Mailbox Message Lost Status Flag)

The FMLST flag is set to 1 when the RFMLF flag in RFCR is 1, regardless of the value of MIER_FIFO. The FMLST flag is set to 0 when the RFMLF flag is 0.

TABST flag (Transmission Abort Status Flag)

The TABST flag is set to 1 when at least one TRMABT flag in MCTL_TXj (j = 0 to 31) is 1, regardless of the value of MIER or MIER_FIFO. The TABST flag is set to 0 when all TRMABT flags are 0.

EST flag (Error Status Flag)

The EST flag is set to 1 when at least one error is detected by EIFR regardless of the value of EIER. The EST flag is set to 0 when no error is detected by EIFR.

RSTST flag (CAN Reset Status Flag)

The RSTST flag is set to 1 when the CAN module is in CAN reset mode. The RSTST flag is 0 when the CAN module is not in CAN reset mode. Even when the state is changed from CAN reset mode to CAN sleep mode, the RSTST flag remains 1.

HLTST flag (CAN Halt Status Flag)

The HLTST flag is set to 1 when the CAN module is in CAN halt mode. The HLTST flag is set to 0 when the CAN module is not in CAN halt mode. Even when the state is changed from CAN halt mode to CAN sleep mode, the HLTST flag remains 1.

SLPST flag (CAN Sleep Status Flag)

The SLPST flag is set to 1 when the CAN module is in CAN sleep mode. The SLPST flag is set to 0 when the CAN module is not in CAN sleep mode.

EPST flag (Error-Passive Status Flag)

The EPST flag is set to 1 when the value of TECR or RECR exceeds 127 and the CAN module is in the error-passive state ($128 \leq TEC < 256$ or $128 \leq REC < 256$). The EPST flag is set to 0 when the CAN module is not in the error-passive state.

BOST flag (Bus-Off Status Flag)

The BOST flag is set to 1 when the value of TECR exceeds 255 and the CAN module is in the bus-off state ($TEC \geq 256$). The BOST flag is set to 0 when the CAN module is not in the bus-off state.

TRMST flag (Transmit Status Flag)

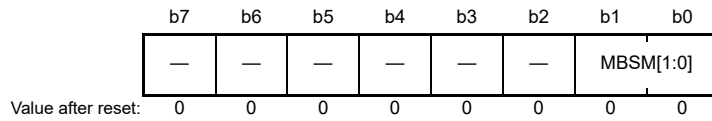
The TRMST flag is set to 1 when the CAN module performs as a transmitter node or is in the bus-off state. The TRMST flag is set to 0 when the CAN module performs as a receiver node or is in the bus-idle state.

RECST flag (Receive Status Flag)

The RECST flag is set to 1 when the CAN module performs as a receiver node. The RECST flag is set to 0 when the CAN module performs as a transmitter node or is in the bus-idle state.

30.2.16 Mailbox Search Mode Register (MSMR)

Address(es): CAN0.MSMR 4005 0853h



| Bit | Symbol | Bit name | Description | R/W |
|----------|------------------|----------------------------|----------------------------------------------------------------------------------------------------------------------------------------------|-----|
| b1, b0 | MBSM[1:0] | Mailbox Search Mode Select | b1 b0 0 0: Receive mailbox search mode 0 1: Transmit mailbox search mode 1 0: Message lost search mode 1 1: Channel search mode. | R/W |
| b7 to b2 | — | Reserved | These bits are read as 0. The write value should be 0. | R/W |

Write to MSMR in CAN operation mode or CAN halt mode.

MBSM[1:0] bits (Mailbox Search Mode Select)

The MBSM[1:0] bits select the search mode for the mailbox search function.

When the MBSM[1:0] bits are 00b, receive mailbox search mode is selected. In this mode, the search targets are the NEWDATA flag in MCTL_RXj (j = 0 to 31) for the normal mailbox, and the RFEST flag in RFCR.

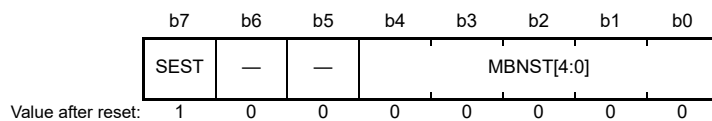
When the MBSM[1:0] bits are 01b, transmit mailbox search mode is selected. In this mode, the search target is the SENTDATA flag in MCTL_TXj.

When the MBSM[1:0] bits are 10b, message lost search mode is selected. In this mode, the search targets are the MSGLOST flag in MCTL_RXj for the normal mailbox and the RFMLF flag in RFCR.

When the MBSM[1:0] bits are 11b, channel search mode is selected. In this mode, the search target is CSSR. See [section 30.2.18, Channel Search Support Register \(CSSR\)](#).

30.2.17 Mailbox Search Status Register (MSSR)

Address(es): CAN0.MSSR 4005 0852h



| Bit | Symbol | Bit name | Description | R/W |
|----------|-------------------|-------------------------------------|-------------------------------------------------------------------------------------|-----|
| b4 to b0 | MBNST[4:0] | Search Result Mailbox Number Status | These bits output the smallest mailbox number that is searched in each mode of MSMR | R |
| b6, b5 | — | Reserved | These bits are read as 0 | R |
| b7 | SEST | Search Result Status | 0: Search result found 1: No search result. | R |

MBNST[4:0] bits (Search Result Mailbox Number Status)

In all mailbox search modes, the MBNST[4:0] bits output the smallest mailbox number found. In receive mailbox search mode, transmit mailbox search mode, and message lost search mode, the value of the mailbox (the search result to be output) is updated under the following conditions:

- When the NEWDATA, SENTDATA, or MSGLOST flag is set to 0 for a mailbox output by MBNST[4:0]
- When the NEWDATA, SENTDATA, or MSGLOST flag is set to 1 for a mailbox with a smaller number than that in

MBNST[4:0].

If the MBSM[1:0] bits are set to 00b (receive mailbox search mode) or 10b (message lost search mode), the receive FIFO (mailbox 28) is output when it is not empty and there are no unread received messages or no lost messages in any of the normal mailboxes (0 to 23). If the MBSM[1:0] bits are set to 01b (transmit mailbox search mode), the transmit FIFO (mailbox 24) is not output. [Table 30.6](#) lists the behavior of the MBNST[4:0] bits in FIFO mailbox mode.

In channel search mode, the MBNST[4:0] bits output the corresponding channel number. After MSSR is read by software, the next target channel number is output.

SEST bit (Search Result Status)

The SEST bit is set to 1 (no search result) when no corresponding mailbox is found after searching all mailboxes. For example, in transmit mailbox search mode, the SEST bit is set to 1 when no SENTDATA flag is 1 for any mailbox. The SEST bit is set to 0 when at least one SENTDATA flag is 1. When the SEST bit is 1, the value of the MBNST[4:0] bits is undefined.

Table 30.6 Behavior of MBNST[4:0] bits in FIFO mailbox mode

| MBSM[1:0] bits | Mailbox 24 (transmit FIFO) | Mailbox 28 (receive FIFO) |
|----------------|----------------------------|-----------------------------------------------------------------------------------------------------------------------------------------------------------------------------------------------------------------------------|
| 00b | Mailbox 24 is not output. | Mailbox 28 is output when no MCTL_RXj.NEWDATA flag for the normal mailboxes is set to 1 (no message is being stored or has been stored to the mailbox) and the receive FIFO is not empty |
| 01b | | Mailbox 28 is not output |
| 10b | | Mailbox 28 is output when no MCTL_RXj.MSGLOST flag for the normal mailboxes is set to 1 (no message is overwritten or overrun) and the RFCR.RFMLF flag is set to 1 (receive FIFO message lost occurred) in the receive FIFO |
| 11b | | Mailbox 28 is not output |

30.2.18 Channel Search Support Register (CSSR)

Address(es): CAN0.CSSR 4005 0851h



Value after reset: x x x x x x x x

x: Undefined

| Bit | Description | R/W |
|----------|--------------------------------------------------------------------------------------|-----|
| b7 to b0 | When the value for the channel search is input, the channel number is output to MSSR | R/W |

The bits that are set to 1 in the CSSR register are encoded by an 8/3 encoder (the LSB position has the higher priority) and output to the MBNST[4:0] bits in the MSSR register. The MSSR register outputs the updated value whenever it is read by software.

Write to CSSR only when the MSMR.MBSM[1:0] bits are 11b (channel search mode). Write to CSSR in CAN operation mode or CAN halt mode.

Figure 30.4 shows write and read operations of the CSSR and MSSR registers.

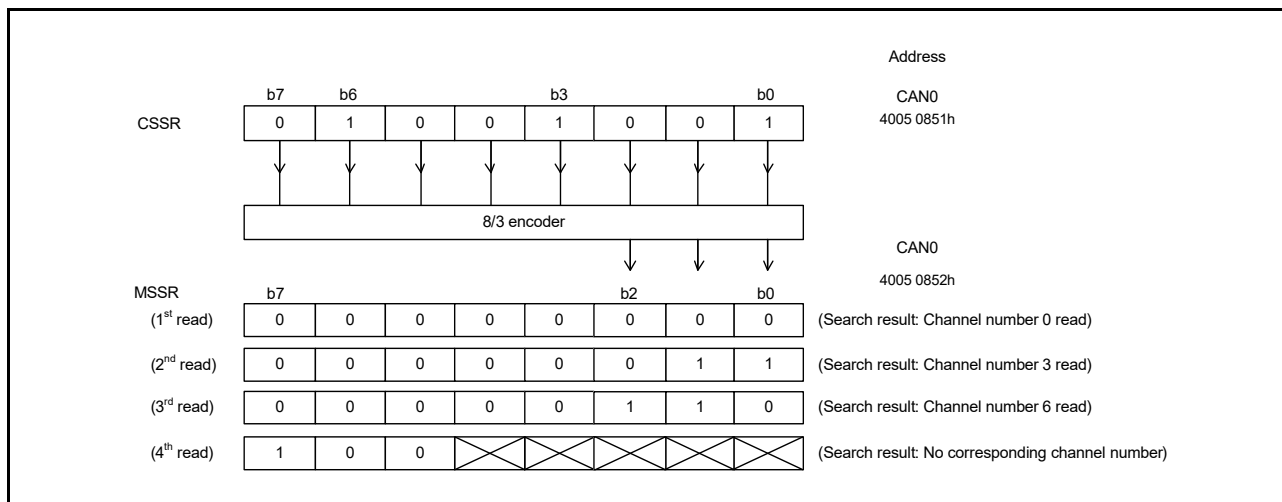
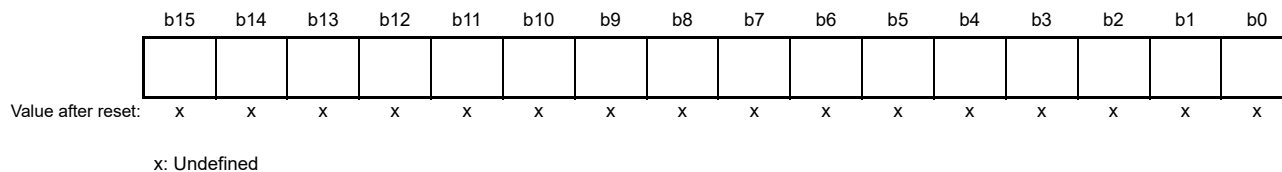


Figure 30.4 Write and read operations of the CSSR and MSSR registers

The value of CSSR is also updated whenever MSSR is read. When read, the value prior to conversion by the 8/3 encoder can be read.

30.2.19 Acceptance Filter Support Register (AFSR)

Address(es): CAN0.AFSR 4005 0856h



| Bit | Description | R/W |
|-----------|---------------------------------------------------------------------------------------------------------------|-----|
| b15 to b0 | After the standard ID of a received message is written, the value converted for data table search can be read | R/W |

Note: Write to AFSR in CAN operation mode or CAN halt mode.

The acceptance filter support unit (ASU) can be used for data table (8 bits × 256) search. In the data table, all standard IDs created by the user are set to be valid or invalid in bit units. When AFSR is written with data in 16-bit units including the SID[10:0] bit in MBj_ID (j = 0 to 31), in which a received standard ID is stored, a decoded row (byte offset) position and column (bit) position for data table search can be read. The ASU can be used for standard (11-bit) IDs only.

The ASU is enabled in the following cases:

- When the IDs to be received cannot be masked by the acceptance filter, for example if the IDs to be received are 078h, 087h, and 111h
- When there are too many IDs to receive and the software filtering time is expected to be shortened.

Note: AFSR cannot be set in CAN reset mode.

Figure 30.5 shows the write and read operations in AFSR.

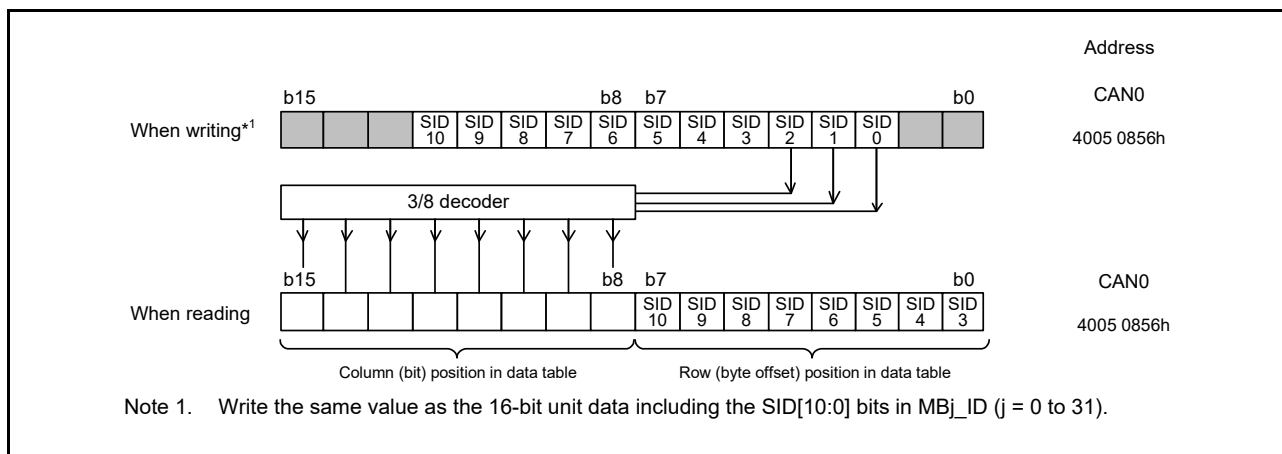
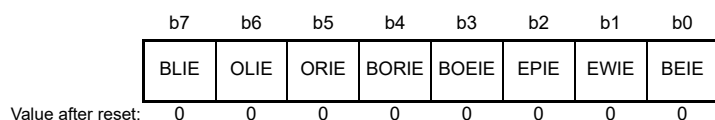


Figure 30.5 Write and read operations in the AFSR register

30.2.20 Error Interrupt Enable Register (EIER)

Address(es): CAN0.EIER 4005 084Ch



| Bit | Symbol | Bit name | Description | R/W |
|-----|--------|------------------------------------------|----------------------------------------------------------------------------------------------|-----|
| b0 | BEIE | Bus Error Interrupt Enable | 0: Disable bus error interrupt 1: Enable bus error interrupt. | R/W |
| b1 | EWIE | Error-Warning Interrupt Enable | 0: Disable error-warning interrupt 1: Enable error-warning interrupt. | R/W |
| b2 | EPIE | Error-Passive Interrupt Enable | 0: Disable error-passive interrupt 1: Enable error-passive interrupt. | R/W |
| b3 | BOEIE | Bus-Off Entry Interrupt Enable | 0: Disable bus-off entry interrupt 1: Enable bus-off entry interrupt. | R/W |
| b4 | BORIE | Bus-Off Recovery Interrupt Enable | 0: Disable bus-off recovery interrupt 1: Enable bus-off recovery interrupt. | R/W |
| b5 | ORIE | Overrun Interrupt Enable | 0: Disable receive overrun interrupt 1: Enable receive overrun interrupt. | R/W |
| b6 | OLIE | Overload Frame Transmit Interrupt Enable | 0: Disable overload frame transmit interrupt 1: Enable overload frame transmit interrupt. | R/W |
| b7 | BLIE | Bus Lock Interrupt Enable | 0: Disable bus lock interrupt 1: Enable bus lock interrupt. | R/W |

EIER enables or disables the error interrupt independently for each error interrupt source in EIFR. Write to EIER in CAN reset mode.

BEIE bit (Bus Error Interrupt Enable)

When the BEIE bit is 0, no error interrupt request is generated even if the BEIF flag in EIFR is set to 1. When the BEIE bit is 1, an error interrupt request is generated if the BEIF flag is set to 1.

EWIE bit (Error-Warning Interrupt Enable)

When the EWIE bit is 0, no error interrupt request is generated even if the EWIF flag in EIFR is set to 1. When the EWIE bit is 1, an error interrupt request is generated if the EWIF flag is set to 1.

EPIE bit (Error-Passive Interrupt Enable)

When the EPIE bit is 0, no error interrupt request is generated even if the EPIF flag in EIFR is set to 1. When the EPIE bit is 1, an error interrupt request is generated if the EPIF flag is set to 1.

BOEIE bit (Bus-Off Entry Interrupt Enable)

When the BOEIE bit is 0, no error interrupt request is generated even if the BOEIF flag in EIFR is set to 1. When the BOEIE bit is 1, an error interrupt request is generated if the BOEIF flag is set to 1.

BORIE bit (Bus-Off Recovery Interrupt Enable)

When the BORIE bit is 0, an error interrupt request is not generated even if the BORIF flag in EIFR is set to 1. When the BORIE bit is set to 1, an error interrupt request is generated if the BORIF flag is set to 1.

ORIE bit (Overrun Interrupt Enable)

When the ORIE bit is 0, an error interrupt request is not generated even if the ORIF flag in EIFR is set to 1. When the ORIE bit is 1, an error interrupt request is generated if the ORIF flag is set to 1.

OLIE bit (Overload Frame Transmit Interrupt Enable)

When the OLIE bit is 0, no error interrupt request is generated even if the OLIF flag in EIFR is set to 1. When the OLIE bit is 1, an error interrupt request is generated if the OLIF flag is set to 1.

BLIE bit (Bus Lock Interrupt Enable)

When the BLIE bit is 0, no error interrupt request is generated even if the BLIF flag in EIFR is set to 1. When the BLIE bit is 1, an error interrupt request is generated if the BLIF flag is set to 1.

30.2.21 Error Interrupt Factor Judge Register (EIFR)

Address(es): CAN0.EIFR 4005 084Dh

| | | | | | | | |
|------|------|------|-------|-------|------|------|------|
| b7 | b6 | b5 | b4 | b3 | b2 | b1 | b0 |
| BLIF | OLIF | ORIF | BORIF | BOEIF | EPIF | EWIF | BEIF |

Value after reset: 0 0 0 0 0 0 0 0

| Bit | Symbol | Bit name | Description | R/W |
|-----|--------|-----------------------------------------|----------------------------------------------------------------------------------------|-----|
| b0 | BEIF | Bus Error Detect Flag | 0: No bus error detected 1: Bus error detected. | R/W |
| b1 | EWIF | Error-Warning Detect Flag | 0: No error-warning detected 1: Error-warning detected. | R/W |
| b2 | EPIF | Error-Passive Detect Flag | 0: No error-passive detected 1: Error-passive detected. | R/W |
| b3 | BOEIF | Bus-Off Entry Detect Flag | 0: No bus-off entry detected 1: Bus-off entry detected. | R/W |
| b4 | BORIF | Bus-Off Recovery Detect Flag | 0: No bus-off recovery detected 1: Bus-off recovery detected. | R/W |
| b5 | ORIF | Receive Overrun Detect Flag | 0: No receive overrun detected 1: Receive overrun detected. | R/W |
| b6 | OLIF | Overload Frame Transmission Detect Flag | 0: No overload frame transmission detected 1: Overload frame transmission detected. | R/W |
| b7 | BLIF | Bus Lock Detect Flag | 0: No bus lock detected 1: Bus lock detected. | R/W |

If an event associated with an EIFR flag occurs, the associated bit in EIFR is set to 1, regardless of the setting of EIER. Clear the bits to 0 through a software write. If a bit is set to 1 at the same time that software clears it, the bit becomes 1. When a single bit is set to 0 in software, use the transfer instruction (MOV) to ensure that only the specified bit is set to 0 and the other bits are set to 1. Writing 1 has no effect on these bit values.

BEIF flag (Bus Error Detect Flag)

The BEIF flag is set to 1 when a bus error is detected.

EWIF flag (Error-Warning Detect Flag)

The EWIF flag is set to 1 when the value of the receive error counter (REC) or transmit error counter (TEC) exceeds 95. The EWIF flag is set to 1 only when the REC or TEC value initially exceeds 95. If software writes 0 to this flag while the REC or TEC value remains greater than 95, the EWIF flag is not set to 1 until the REC or TEC value goes below 95, and then exceeds 95 again.

EPIF flag (Error-Passive Detect Flag)

The EPIF flag is set to 1 when the CAN error state becomes error-passive, while the REC or TEC value exceeds 127. This flag is set to 1 only when the REC or TEC value initially exceeds 127. If software writes 0 to this flag while the REC or TEC value remains greater than 127, the EPIF flag is not set to 1 until the REC or TEC value goes below 127, and then exceeds 127 again.

BOEIF flag (Bus-Off Entry Detect Flag)

The BOEIF flag is set to 1 when the CAN error state becomes bus-off, while the TEC value exceeds 255. The BOEIF flag is also set to 1 when the BOM[1:0] bits in CTRL are 01b (automatic entry to CAN halt mode at bus-off entry) and the CAN module enters the bus-off state.

BORIF flag (Bus-Off Recovery Detect Flag)

The BORIF flag is set to 1 when the CAN module recovers from the bus-off state normally by detecting 11 consecutive recessive bits 128 times in the following conditions:

- When the BOM[1:0] bits in CTRL are 00b
- When the BOM[1:0] bits in CTRL are 10b
- When the BOM[1:0] bits in CTRL are 11b.

The BORIF flag is not set to 1 if the CAN module recovers from the bus-off state in the following conditions:

- When the CANM[1:0] bits in CTRL are set to 01b or 11b (CAN reset mode)
- When the RBOC bit in CTRL is set to 1 (forcible return from bus-off)
- When the BOM[1:0] bits in CTRL are set to 01b
- When the BOM[1:0] bits in CTRL are set to 11b and the CANM[1:0] bits in CTRL are set to 10b (CAN halt mode) before normal recovery occurs.

Table 30.7 shows the behavior of BOEIF and BORIF flags for each CTRL.BOM[1:0] bit setting.

Table 30.7 Behavior of BOEIF and BORIF flags according to CTRL.BOM[1:0] bit setting

| BOM[1:0] bits | BOEIF flag | BORIF flag |
|---------------|----------------------------------------|-----------------------------------------------------------------------------------------------------|
| 00b | Set to 1 on entry to the bus-off state | Set to 1 on exit from the bus-off state |
| 01b | | Do not set to 1 |
| 10b | | Set to 1 on exit from the bus-off state |
| 11b | | Set to 1 if normal bus-off recovery occurs before the CANM[1:0] bits are set to 10b (CAN halt mode) |

ORIF flag (Receive Overrun Detect Flag)

The ORIF flag is set to 1 when a receive overrun occurs. This flag is not set to 1 in overwrite mode. In this mode, a reception complete interrupt request is generated if an overwrite condition occurs and the ORIF flag is not set to 1.

In normal mailbox mode, if an overrun occurs in any of the mailboxes 0 to 31 in overrun mode, the ORIF flag is set to 1. In FIFO mailbox mode, if an overrun occurs in any of the mailboxes 0 to 23, or the receive FIFO in overrun mode, the ORIF flag is set to 1.

OLIF flag (Overload Frame Transmission Detect Flag)

The OLIF flag is set to 1 if the transmitting condition of an overload frame is detected when the CAN module performs transmission or reception.

BLIF flag (Bus Lock Detect Flag)

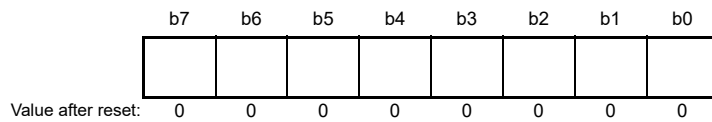
The BLIF flag is set to 1 if 32 consecutive dominant bits are detected on the CAN bus while the CAN module is in CAN operation mode.

After the BLIF flag is set to 1, 32 consecutive dominant bits are detected again in either of the following conditions:

- Recessive bits are detected after the BLIF flag changes to 0 from 1
- The CAN module enters CAN reset mode or CAN halt mode and then enters CAN operation mode again, after the BLIF flag changes to 0 from 1.

30.2.22 Receive Error Count Register (RECR)

Address(es): [CAN0.RECR 4005 084Eh](#)

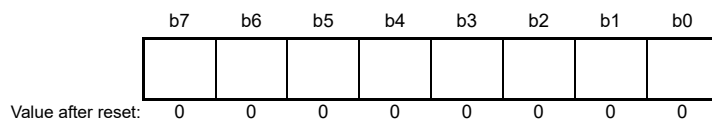


| Bit | Description | R/W |
|----------|---------------------------------------------------------------------------------------------------------------------------------------------|-----|
| b7 to b0 | Receive error count function. RECR increments or decrements the counter value based on the error status of the CAN module during reception. | R |

RECR indicates the value of the receive error counter. See the CAN specification (ISO11898-1) for the increment or decrement conditions of the receive error counter. The value of RECR in the bus-off state is undefined.

30.2.23 Transmit Error Count Register (TECR)

Address(es): [CAN0.TECR 4005 084Fh](#)

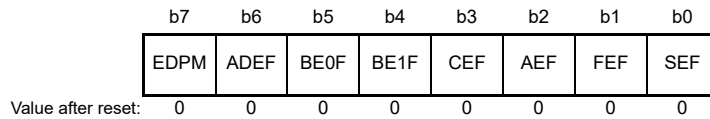


| Bit | Description | R/W |
|----------|-------------------------------------------------------------------------------------------------------------------------------------------------|-----|
| b7 to b0 | Transmit error count function. TECR increments or decrements the counter value based on the error status of the CAN module during transmission. | R |

TECR indicates the value of the transmit error counter. See the CAN specification (ISO11898-1) for the increment or decrement conditions of the transmit error counter. The value of TECR in the bus-off state is undefined.

30.2.24 Error Code Store Register (ECSR)

Address(es): CAN0.ECSR 4005 0850h



| Bit | Symbol | Bit name | Description | R/W |
|-----|--------|---------------------------------|--------------------------------------------------------------------------------|-----|
| b0 | SEF | Stuff Error Flag*1,*2 | 0: No stuff error detected 1: Stuff error detected. | R/W |
| b1 | FEF | Form Error Flag*1,*2 | 0: No form error detected 1: Form error detected. | R/W |
| b2 | AEF | ACK Error Flag*1,*2 | 0: No ACK error detected 1: ACK error detected. | R/W |
| b3 | CEF | CRC Error Flag*1,*2 | 0: No CRC error detected 1: CRC error detected. | R/W |
| b4 | BE1F | Bit Error (recessive) Flag*1,*2 | 0: No bit error (recessive) detected 1: Bit error (recessive) detected. | R/W |
| b5 | BE0F | Bit Error (dominant) Flag*1,*2 | 0: No bit error (dominant) detected 1: Bit error (dominant) detected. | R/W |
| b6 | ADEF | ACK Delimiter Error Flag*1,*2 | 0: No ACK delimiter error detected 1: ACK delimiter error detected. | R/W |
| b7 | EDPM | Error Display Mode Select*3,*4 | 0: Output of first detected error code 1: Output of accumulated error code. | R/W |

Note 1. Writing 1 has no effect on these bit values.

Note 2. To write 0 to the SEF, FEF, AEF, CEF, BE1F, BE0F, and ADEF bits, use the transfer (MOV) instruction to ensure that only the specified bit is set to 0 and the other bits are set to 1.

Note 3. Write to the EDPM bit in CAN reset mode or CAN halt mode.

Note 4. If more than one error condition is detected simultaneously, all the related bits are set to 1.

ECSR can be used to monitor whether an error occurred on the CAN bus. See the CAN specification (ISO11898-1) for the conditions when each error occurs.

Clear all the bits except for the EDPM bit to 0 through a software write. If an ECSR bit is set to 1 by the CAN module at the same time that software writes 0 it, the bit is set to 1.

SEF flag (Stuff Error Flag)

The SEF flag is set to 1 when a stuff error is detected.

FEF flag (Form Error Flag)

The FEF flag is set to 1 when a form error is detected.

AEF flag (ACK Error Flag)

The AEF flag is set to 1 when an ACK error is detected.

CEF flag (CRC Error Flag)

The CEF flag is set to 1 when a CRC error is detected.

BE1F flag (Bit Error (recessive) Flag)

The BE1F flag is set to 1 when a recessive bit error is detected.

BE0F flag (Bit Error (dominant) Flag)

The BE0F flag is set to 1 when a dominant bit error is detected.

ADEF flag (ACK Delimiter Error Flag)

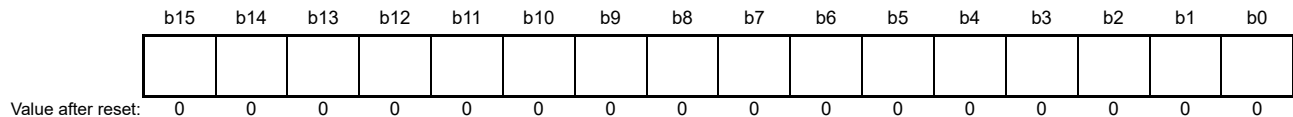
The ADEF flag is set to 1 when a form error is detected with the ACK delimiter during transmission.

EDPM bit (Error Display Mode Select)

The EDPM flag selects the output mode of ECSR. When the EDPM bit is set to 0, ECSR outputs the first error code. When the EDPM flag is set to 1, ECSR outputs the accumulated error code.

30.2.25 Time Stamp Register (TSR)

Address(es): CAN0.TSR 4005 0854h



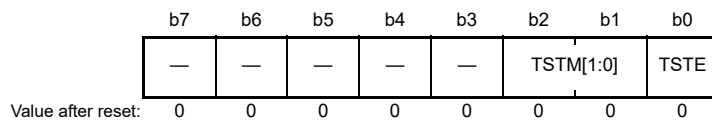
| Bit | Description | R/W |
|-----------|--------------------------------------------------------|-----|
| b15 to b0 | Free-running counter value for the time stamp function | R |

Note: Read TSR in 16-bit units.

Reading the TSR register returns the current value of the 16-bit free-running time stamp counter. The time stamp counter reference clock is configured in the TSPS[1:0] bits in CTRLR. The time stamp counter stops in CAN sleep mode and CAN halt mode, and is initialized in CAN reset mode. The time stamp counter value is stored in the TSL[7:0] and TSH[7:0] bits in the MBj_TS register when a received message is stored in a receive mailbox.

30.2.26 Test Control Register (TCR)

Address(es): CAN0.TCR 4005 0858h



| Bit | Symbol | Bit name | Description | R/W |
|----------|-----------|----------------------|-----------------------------------------------------------------------------------------------------------------------------------------------------|-----|
| b0 | TSTE | CAN Test Mode Enable | 0: Disable CAN test mode 1: Enable CAN test mode. | R/W |
| b2, b1 | TSTM[1:0] | CAN Test Mode Select | b2 b1 0 0: Not CAN test mode 0 1: Listen-only mode 1 0: Self-test mode 0 (external loopback) 1 1: Self-test mode 1 (internal loopback). | R/W |
| b7 to b3 | — | Reserved | These bits are read as 0. The write value should be 0. | R/W |

TCR controls the CAN test mode. Write to TCR in CAN halt mode only.

(1) Listen-only mode

The CAN specification (ISO11898-1) recommends an optional bus monitoring mode. In listen-only mode, valid data frames and valid remote frames can be received. However, only recessive bits can be sent on the CAN bus. The ACK bit, overload flag, and active error flag cannot be sent. Listen-only mode can be used for baud rate detection. Do not request transmission from any mailboxes in listen-only mode.

Figure 30.6 shows the connection when listen-only mode is selected.

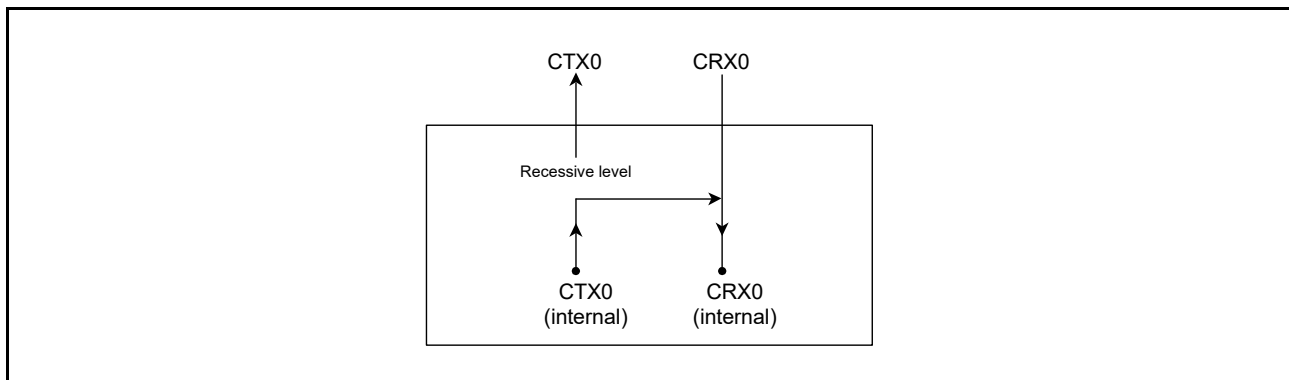


Figure 30.6 Connection when listen-only mode is selected

(2) Self-test mode 0 (external loopback)

Self-test mode 0 is provided for CAN transceiver tests.

In this mode, the protocol module treats its own transmitted messages as those received by the CAN transceiver and stores them into the receive mailbox. To be independent from external stimulation, the protocol module generates the ACK bit. Connect the CTX0 and CRX0 pins to the transceiver.

Figure 30.7 shows the connection when self-test mode 0 is selected.

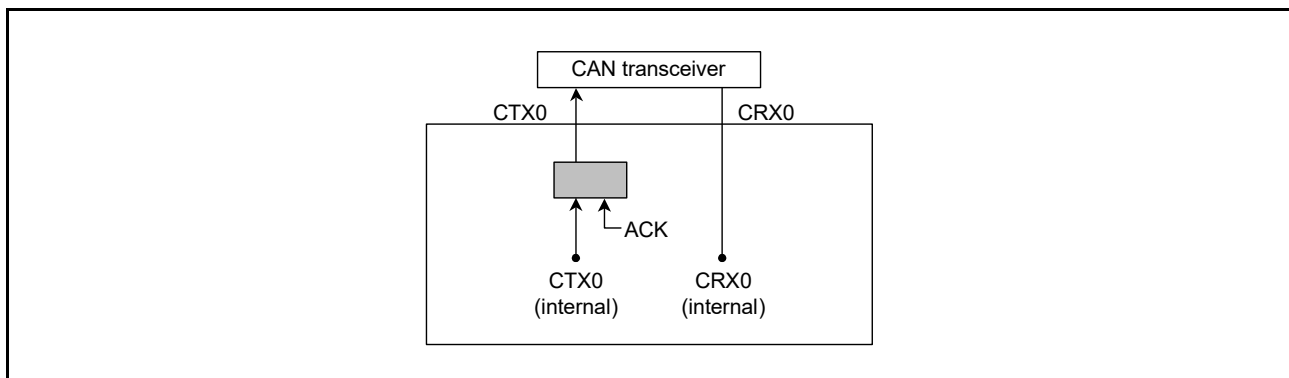


Figure 30.7 Connection when self-test mode 0 is selected

(3) Self-test mode 1 (internal loopback)

Self-test mode 1 is provided for self-test functions. In this mode, the protocol controller treats its transmitted messages as received messages and stores them into the receive mailbox. To be independent from external stimulation, the protocol controller generates the ACK bit.

In self-test mode 1, the protocol controller performs an internal feedback from the internal CTX0 pin to the internal CRX0 pin. The input value of the external CRX0 pin is ignored. The external CTX0 pin outputs only recessive bits. The CTX0 and CRX0 pins are not required to be connected to the CAN bus or any external device.

Figure 30.8 shows the connection when self-test mode 1 is selected.

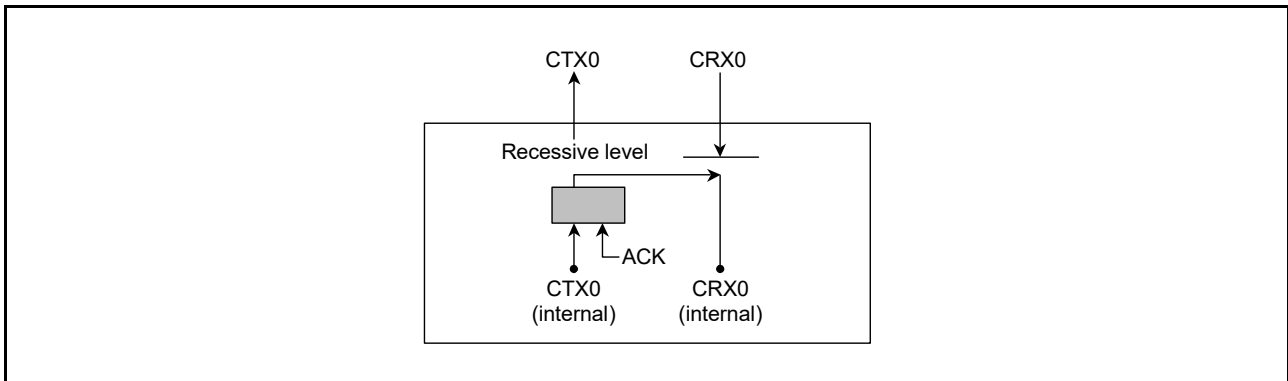


Figure 30.8 Connection when self-test mode 1 is selected

30.3 Modes of Operation

The CAN module operation modes include:

- CAN reset mode
- CAN halt mode
- CAN operation mode
- CAN sleep mode.

Figure 30.9 shows the transition between different modes of operation.

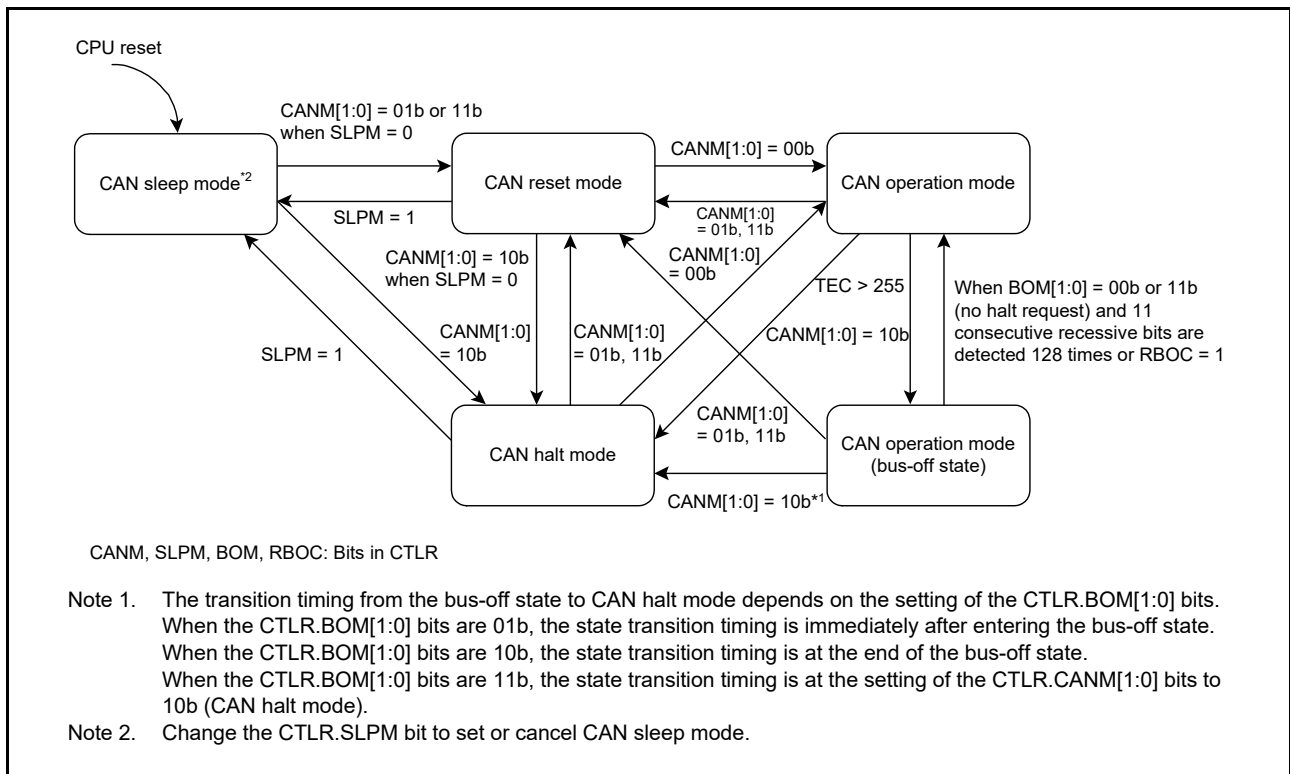


Figure 30.9 Transition between different modes of operation

30.3.1 CAN Reset Mode

CAN reset mode is provided for CAN communication configuration. When the CTLR.CANM[1:0] bits are set to 01b or 11b, the CAN module enters CAN reset mode. The STR.RSTST flag is then set to 1. Do not change the CTLR.CANM[1:0] bits until the RSTST flag is set to 1. Set BCR before exiting CAN reset mode to enter any other

modes.

The following registers are initialized to their reset values after entering CAN reset mode, and their initial values are retained during CAN reset mode:

- MCTL_TXj and MCTL_RXj
- STR (except for the SLPST and TFST bits)
- EIFR
- RECR
- TECR
- TSR
- MSSR
- MSMR
- RFCR
- TFCR
- TCR
- ECSR (except for the EDPM bit).

The following registers retain their previous values even after entering CAN reset mode:

- CTLR
- STR (only the SLPST and TFST bits)
- MIER and MIER_FIFO
- EIER
- BCR
- CSSR
- ECSR (only the EDPM bit)
- MBj_ID, MBj_DL, MBj_Dm and MBj_TS
- MKRk
- FIDCR0 and FIDCR1
- MKIVLR
- AFSR
- RFPCR
- TFPCR.

30.3.2 CAN Halt Mode

CAN halt mode is used for mailbox configuration and test mode setting. When the CTLR.CANM[1:0] bits are set to 10b, CAN halt mode is selected and the STR.HLTST bit is set to 1. Do not change the CTLR.CANM[1:0] bits until the HLTST bit is set to 1. See [Table 30.8](#) for the state transition conditions when transmitting or receiving.

All registers except for the RSTST, HLTST, and SLPST bits in STR remain unchanged when the CAN enters CAN halt mode. Do not change CTLR (except for the CANM[1:0] and SLPM bits) and EIER in CAN halt mode. BCR can be changed in CAN halt mode only when listen-only mode is selected for automatic baud rate detection.

Table 30.8 Operation in CAN reset mode and CAN halt mode

| Operation mode | Receiver | Transmitter | Bus-off |
|-------------------------------------------------------|-------------------------------------------------------------------------------------|-----------------------------------------------------------------------------------------|------------------------------------------------------------------------------------------------------------------------------------------------------------------------------------------------------------------------------------------------------------------------------------------------------------------------------------------------------------------------------------------------------------------------------------------------------------------------------------------------------------------------------------------------------------------------------------------------------------------------------------------------------------------------------------------------------------|
| CAN reset mode (forced transition) CANM[1:0] = 11b | CAN module enters CAN reset mode without waiting for the end of message reception | CAN module enters CAN reset mode without waiting for the end of message transmission | CAN module enters CAN reset mode without waiting for the end of bus-off recovery |
| CAN reset mode CANM[1:0] = 01b | CAN module enters CAN reset mode without waiting for the end of message reception | CAN module enters CAN reset mode after waiting for the end of message transmission*1,*4 | CAN module enters CAN reset mode without waiting for the end of bus-off recovery |
| CAN halt mode | CAN module enters CAN halt mode after waiting for the end of message reception*2,*3 | CAN module enters CAN halt mode after waiting for the end of message transmission*1,*4 | <ul style="list-style-type: none"> When the BOM[1:0] bits are 00b: A halt request from software is accepted only after bus-off recovery. When the BOM[1:0] bits are 01b: CAN module automatically enters CAN halt mode without waiting for the end of bus-off recovery, regardless of a halt request from software. When the BOM[1:0] bits are 10b: CAN module automatically enters CAN halt mode after waiting for the end of bus-off recovery, regardless of a halt request from software. When the BOM[1:0] bits are 11b: CAN module enters CAN halt mode without waiting for the end of bus-off recovery, if a halt is requested by software during bus-off. |

BOM[1:0] bits: Bits in CTLR

- Note 1. If transmission of multiple messages is requested, a mode transition occurs after the completion of the first transmission. If the CAN reset mode is being requested during suspend transmission, mode transition occurs when the bus is idle, the next transmission ends, or the CAN module becomes a receiver.
- Note 2. If the CAN bus is locked at the dominant level, the program can detect this state by monitoring the BLIF flag in EIFR.
- Note 3. If a CAN bus error occurs during reception after CAN halt mode is requested, the CAN module transitions to CAN halt mode.
- Note 4. If a CAN bus error or arbitration-lost occurs during transmission after CAN reset mode or CAN halt mode is requested, the CAN module transitions to the requested CAN mode.

30.3.3 CAN Sleep Mode

CAN sleep mode reduces power consumption by stopping the clock supply to the CAN module. After a reset from an MCU pin or software reset, the CAN module starts from CAN sleep mode.

When the SLPM bit in CTLR is set to 1, the CAN module enters CAN sleep mode and the SLPST bit in STR is set to 1. Do not change the value of the SLPM bit until the SLPST bit is set to 1. The other registers remain unchanged when the CAN module enters CAN sleep mode.

Write to the SLPM bit in CAN reset mode and CAN halt mode. Do not change any registers (except for the SLPM bit) during CAN sleep mode. Read operation is still allowed.

When the SLPM bit is set to 0, the CAN module is released from CAN sleep mode. When the CAN module exits CAN sleep mode, the other registers remain unchanged.

30.3.4 CAN Operation Mode (Excluding Bus-Off State)

CAN operation mode is used for CAN communication. When the CANM[1:0] bits in CTLR are set to 00b, the CAN module enters CAN operation mode. Bits RSTST and HLTST in STR are set to 0. Do not change the value of the CANM[1:0] bits until bits RSTST and HLTST are set to 0.

If 11 consecutive recessive bits are detected after entering CAN operation mode, the CAN module is in the following states:

- The CAN module becomes an active node on the network, thus enabling transmission and reception of CAN messages.
- Error monitoring of the CAN bus, such as receive and transmit error counters, is performed.

During CAN operation mode, the CAN module may be in one of the following three sub-modes, depending on the status of the CAN bus:

- Idle mode: No transmission or reception is occurring
- Receive mode: A CAN message sent by another node is being received
- Transmit mode: A CAN message is being transmitted. The CAN module receives a message transmitted by the local node simultaneously when self-test mode 0 (TSTM[1:0] bits in TCR = 10b) or self-test mode 1 (TSTM[1:0] bits = 11b) is selected.

Figure 30.10 shows the sub-modes of CAN operation mode.

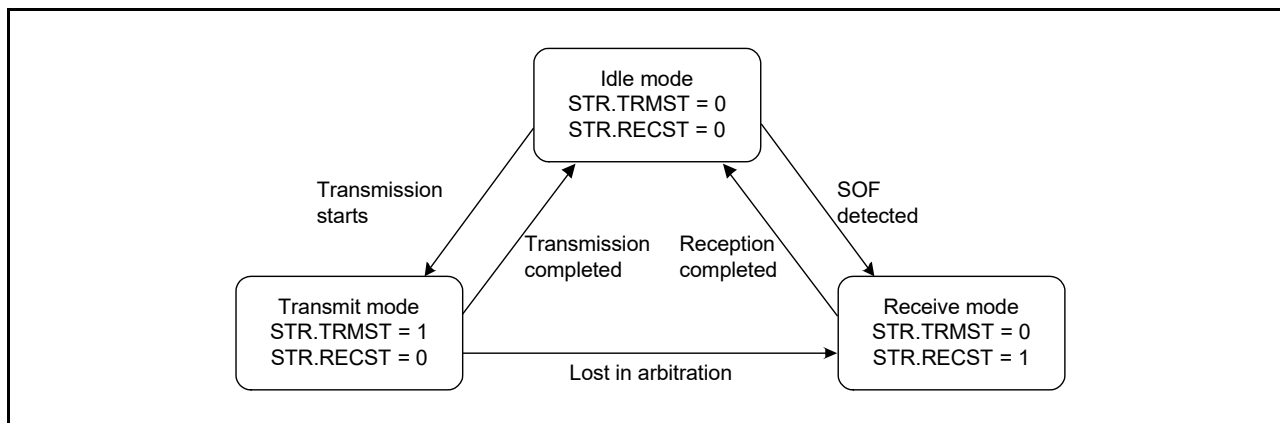


Figure 30.10 Sub-modes of CAN operation mode

30.3.5 CAN Operation Mode (Bus-Off State)

The CAN module enters the bus-off state based on the increment or decrement rules for the transmit or receive error counters in the CAN specification.

The following cases apply when the CAN module is recovering from the bus-off state. When the CAN module is in the bus-off state, the values of the CAN module registers remain unchanged, except for those in STR, EIFR, RECR, TECR, and TSR.

(1) When BOM[1:0] bits in CTLR are 00b (normal mode)

The CAN module enters the error-active state after it completes the recovery from the bus-off state and CAN communication is enabled. The BORIF flag in EIFR is set to 1 (bus-off recovery detected).

(2) When bit RBOC in CTLR is set to 1 (forcible return from bus-off)

The CAN module enters the error-active state when it is in the bus-off state and the RBOC bit is set to 1. CAN communication is enabled again after 11 consecutive recessive bits are detected. The BORIF flag is not set to 1.

(3) When bits BOM[1:0] are 01b (automatic transition to CAN halt mode at bus-off entry)

The CAN module enters CAN halt mode when it reaches the bus-off state. The BORIF flag is not set to 1.

(4) When bits BOM[1:0] are 10b (automatic transition to CAN halt mode at bus-off end)

The CAN module enters CAN halt mode when it completes the recovery from bus-off. The BORIF flag is set to 1.

(5) When bits BOM[1:0] are 11b (automatic transition to CAN halt mode by software) and bits CANM[1:0] in CTLR are set to 10b (CAN halt mode) during bus-off state

The CAN module enters CAN halt mode when it is in the bus-off state and the CANM[1:0] bits are set to 10b (CAN halt mode). The BORIF flag is not set to 1.

If the CANM[1:0] bits are not set to 10b during bus-off, the same behavior as (1) applies.

30.4 Data Transfer Rate Configuration

This section describes how to configure the data transfer rate.

30.4.1 Clock Setting

The CAN module has a CAN clock generator. The CAN clock can be set by the CCLKS bit and the BRP[9:0] bits in BCR.

Figure 30.11 shows a block diagram of the CAN clock generator.

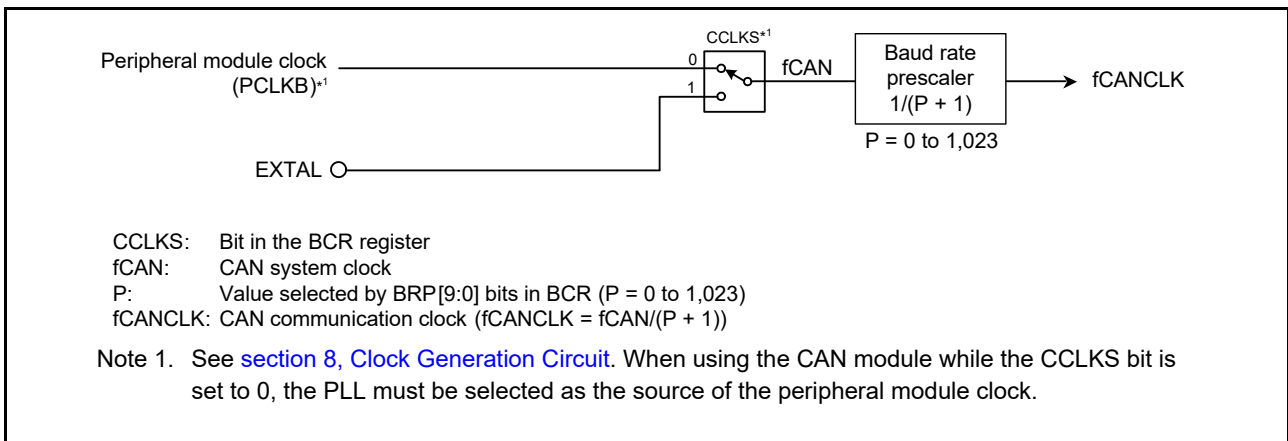


Figure 30.11 Block diagram of CAN clock generator

30.4.2 Bit Time Setting

The bit time setting consists of three segments as Figure 30.12 shows.

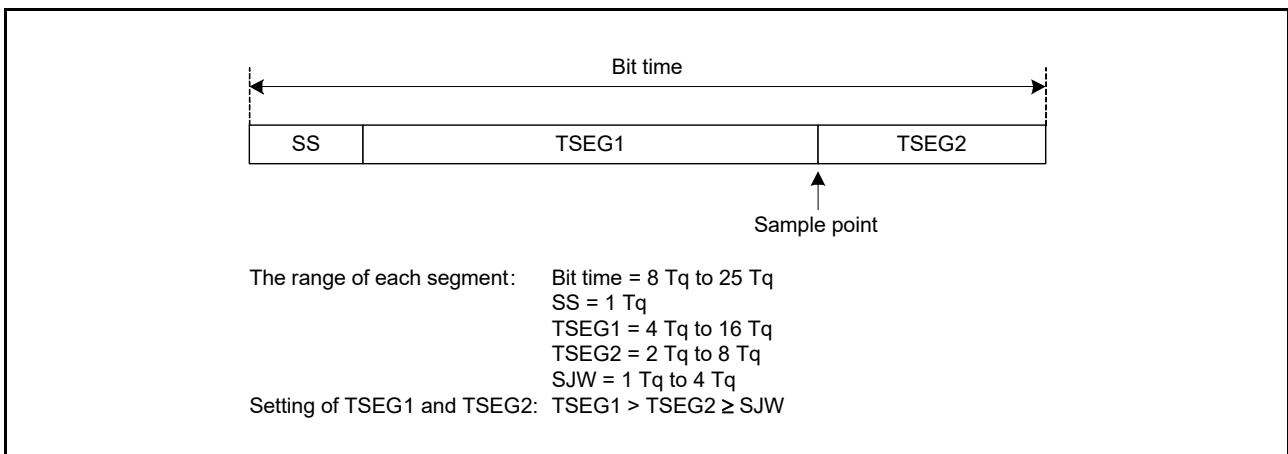


Figure 30.12 Bit timing

30.4.3 Data Transfer Rate

The data transfer rate depends on the division value of fCAN (CAN system clock), the division value of the baud rate prescaler, and the Tq count for 1 bit time.

$$\text{Data transfer rate [bps]} = \frac{\text{fCAN}}{\text{Baud rate prescaler division value}^*1 \times \text{Tq count for 1 bit time}} = \frac{\text{fCANCLK}}{\text{Tq count for 1 bit time}}$$

Note 1. Division value of baud rate prescaler = P + 1 (P: 0 to 1023), where P is BRP[9:0] bit setting in BCR.

Table 30.9 lists data transfer rate examples.

Table 30.9 Data transfer rate examples when fCAN = 32 MHz

| Data transfer rate | Tq count | P + 1 |
|--------------------|----------|-------|
| 1 Mbps | 8Tq | 4 |
| | 16Tq | 2 |
| 500 kbps | 8Tq | 8 |
| | 16Tq | 4 |
| 250 kbps | 8Tq | 16 |
| | 16Tq | 8 |
| 125 kbps | 8Tq | 32 |
| | 16Tq | 16 |
| 83.3 kbps | 8Tq | 48 |
| | 16Tq | 24 |
| 33.3 kbps | 8Tq | 120 |
| | 10Tq | 96 |
| | 16Tq | 60 |
| | 20Tq | 48 |

30.5 Mailbox and Mask Register Structure

Figure 30.13 shows the structure of a mailbox register MBj_ID, MBj_DL, MBj_Dm, and MBj_TS.

There are 32 mailboxes with the same structure.

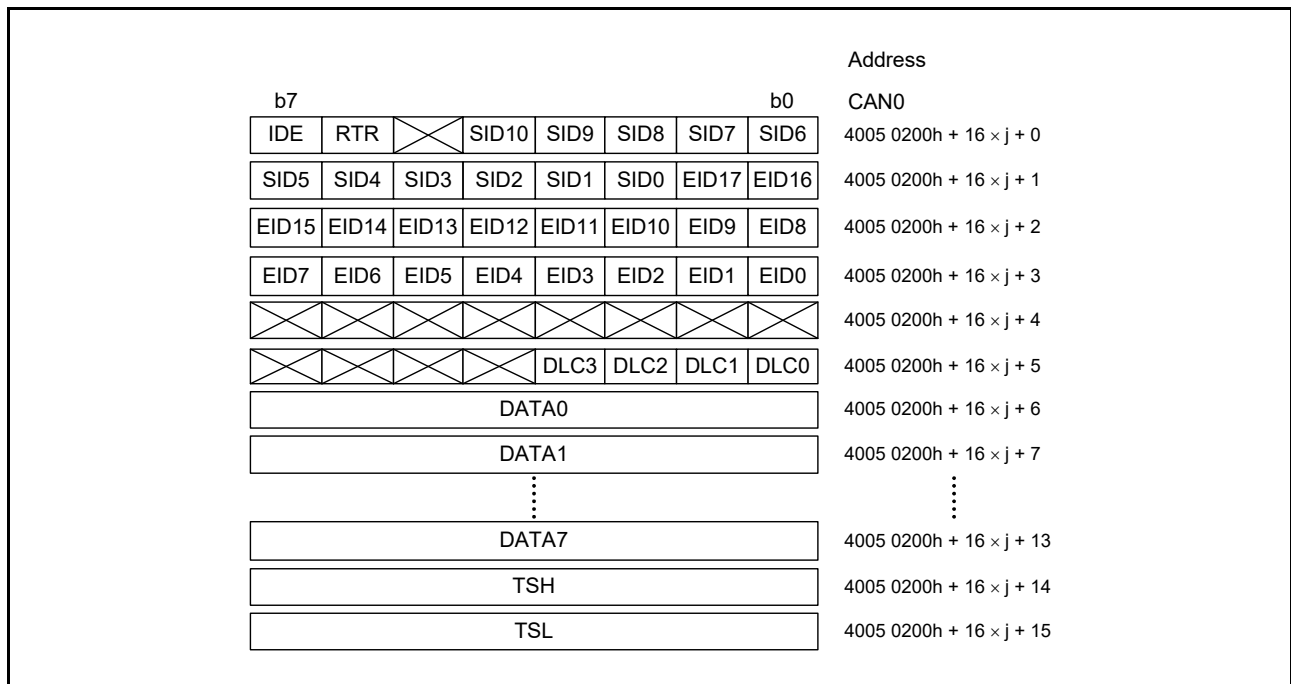


Figure 30.13 Structure of mailbox register (j = 0 to 31)

Figure 30.14 shows the structure of the eight mask registers MKRk.

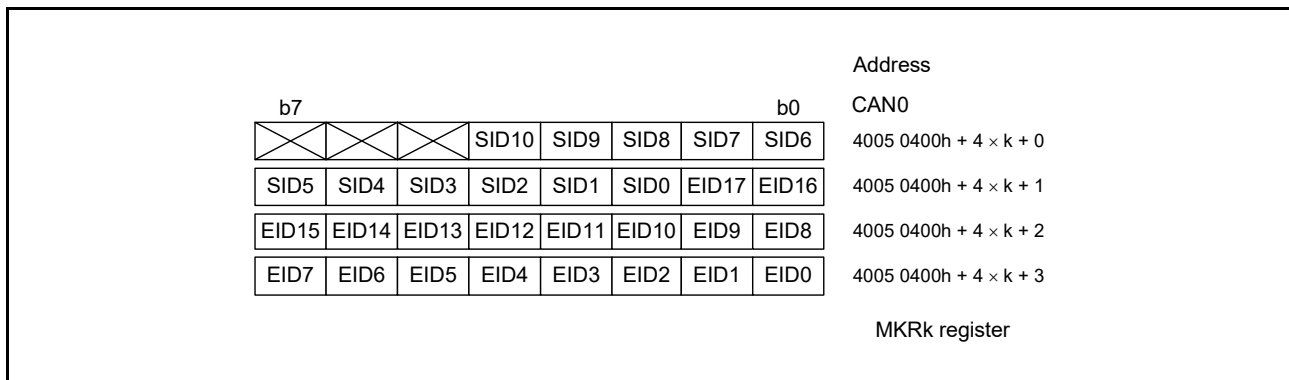


Figure 30.14 Structure of MKRk (k = 0 to 7)

Figure 30.15 shows the structure of the two FIFO received ID compare registers, FIDCR0 and FIDCR1.

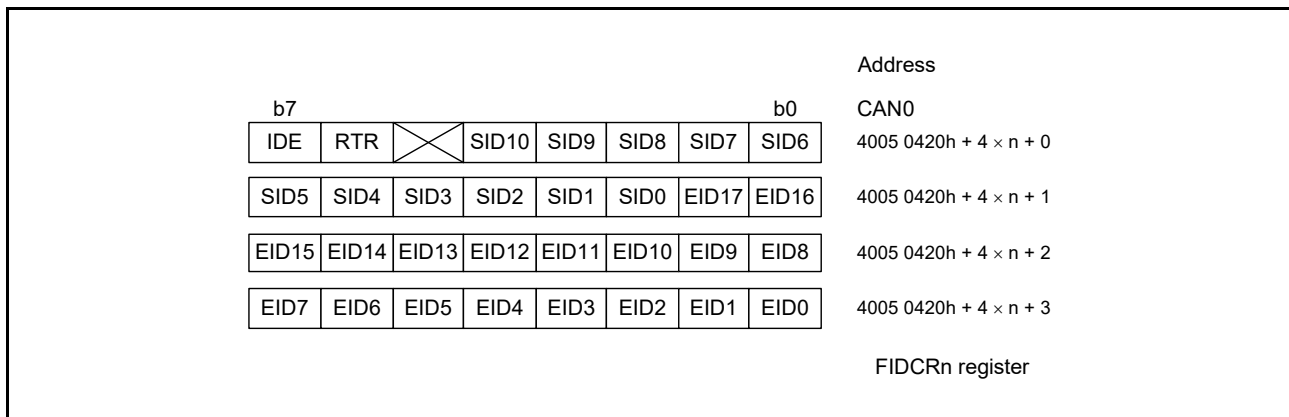


Figure 30.15 Structure of FIDCRn (n = 0, 1)

30.6 Acceptance Filtering and Masking Functions

The acceptance filtering and masking functions allow you to select and receive messages with multiple IDs for mailboxes within a specified range.

The MKRk registers can mask the standard ID and the extended ID of 29 bits:

- MKR0 is the mask register for mailboxes 0 to 3
- MKR1 is the mask register for mailboxes 4 to 7
- MKR2 is the mask register for mailboxes 8 to 11
- MKR3 is the mask register for mailboxes 12 to 15
- MKR4 is the mask register for mailboxes 16 to 19
- MKR5 is the mask register for mailboxes 20 to 23
- MKR6 is the mask register for mailboxes 24 to 27 in normal mailbox mode and the receive FIFO mailboxes 28 to 31 in FIFO mailbox mode
- MKR7 is the mask register for mailboxes 28 to 31 in normal mailbox mode and the receive FIFO mailboxes 28 to 31 in FIFO mailbox mode.

The MKIVLR register disables acceptance filtering independently for each mailbox.

The IDE bit in MBj_ID is valid when the IDFM[1:0] bits in CTRLR are 10b (mixed ID mode).

The RTR bit in MBj_ID selects a data frame or a remote frame.

In FIFO mailbox mode, normal mailboxes 0 to 23 use the associated register (MKR0 to MKR5) for acceptance filtering.

The receive FIFO mailboxes 28 to 31 use two registers, MKR6 and MKR7, for acceptance filtering. The receive FIFO uses two registers, FIDCR0 and FIDCR1, for ID comparison. The EID[17:0], SID[10:0], RTR, and IDE bits in mailbox 28 to mailbox 31 for the receive FIFO are disabled. As acceptance filtering depends on the result of two logic OR operations, two ranges of IDs can be received into the receive FIFO. MKIVLR is disabled for the receive FIFO.

If different values are set in the IDE bits in the FIDCR0 and FIDCR1 registers, both ID formats are received. If different values are set in the RTR bits in the FIDCR0 and FIDCR1 registers, both data and remote frames are received.

When a combination of two ranges of IDs is not required, set the same mask value and the same ID in both the FIFO ID and mask registers.

Figure 30.16 shows the associations between mask registers and mailboxes. Figure 30.17 shows the acceptance filtering.

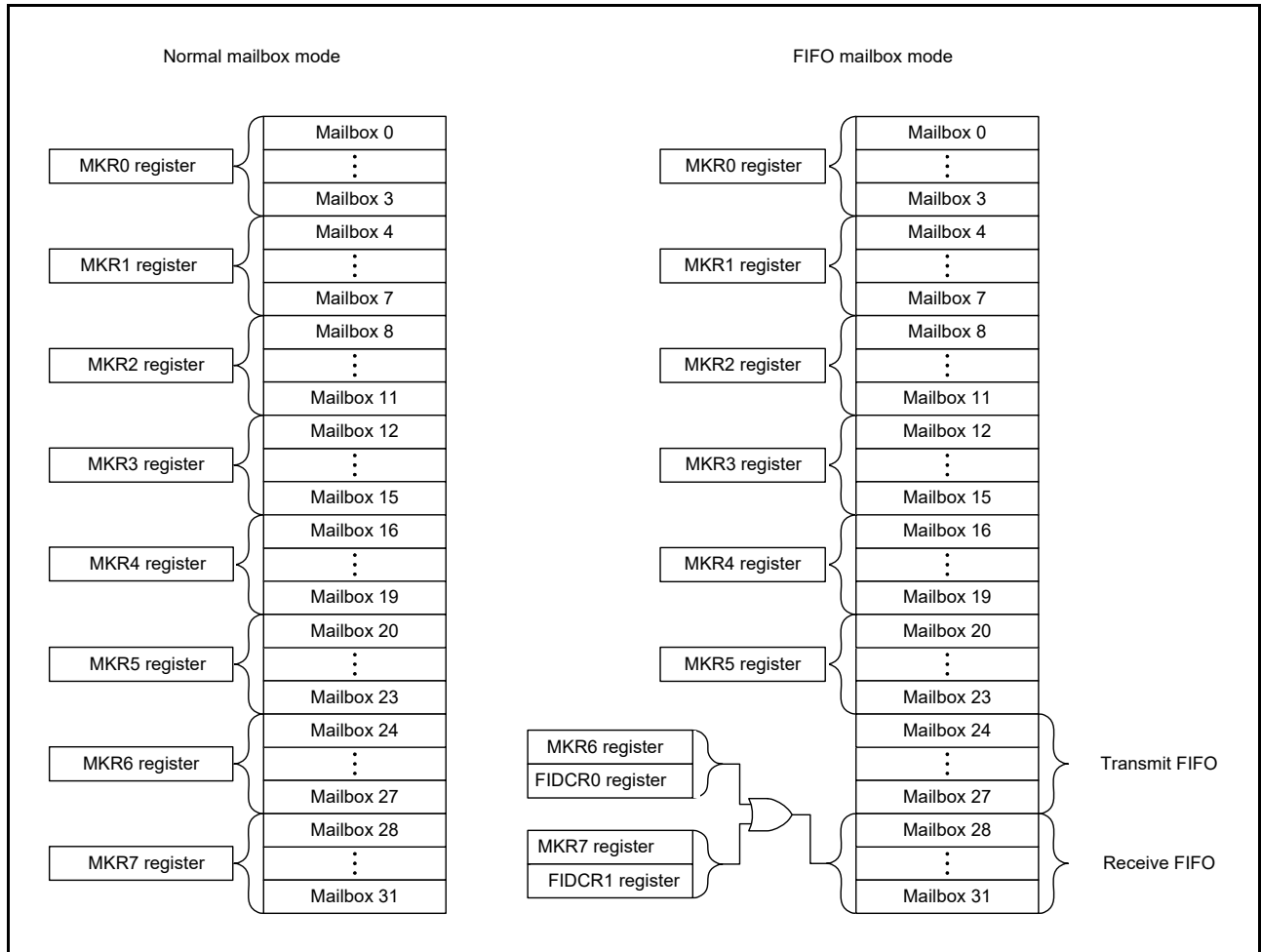


Figure 30.16 Associations between mask registers and mailboxes

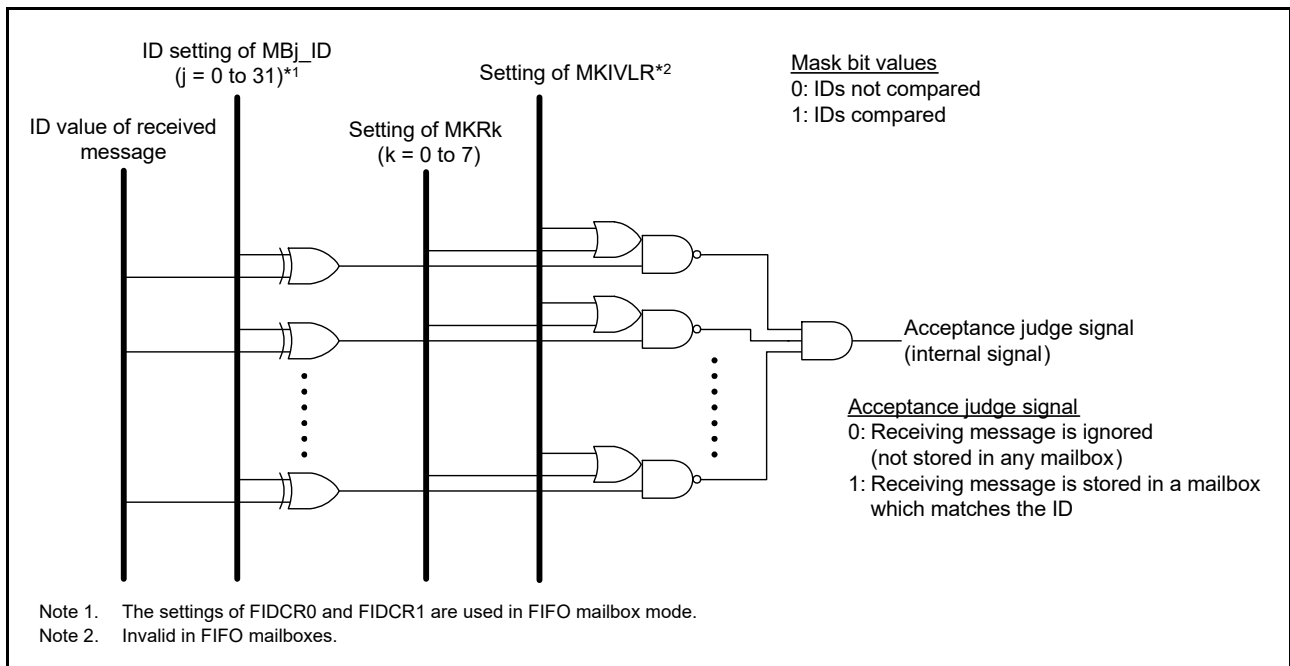


Figure 30.17 Acceptance filtering

30.7 Reception and Transmission

Table 30.10 lists the CAN communication mode settings.

Table 30.10 Settings for CAN receive mode and transmit modes

| MCTL_TX _j .TRMREQ and MCTL_RX _j .TRMREQ | MCTL_TX _j .RECREQ and MCTL_RX _j .RECREQ | MCTL_TX _j .ONESHOT and MCTL_RX _j .ONESHOT | Mailbox communication mode |
|---------------------------------------------------------------------|---------------------------------------------------------------------|-----------------------------------------------------------------------|-------------------------------------------------------------------------------------------------------------|
| 0 | 0 | 0 | Mailbox disabled or transmission aborted |
| 0 | 0 | 1 | Can be configured only when transmission or reception from a mailbox programmed in one-shot mode is aborted |
| 0 | 1 | 0 | Configured as a receive mailbox for a data frame or a remote frame |
| 0 | 1 | 1 | Configured as a one-shot receive mailbox for a data frame or a remote frame |
| 1 | 0 | 0 | Configured as a transmit mailbox for a data frame or a remote frame |
| 1 | 0 | 1 | Configured as a one-shot transmit mailbox for a data frame or a remote frame |
| 1 | 1 | 0 | Do not set |
| 1 | 1 | 1 | Do not set |

j = 0 to 31

When a mailbox is configured as a receive mailbox or a one-shot receive mailbox:

1. Before a mailbox is configured, set MCTL_RX_j to 00h.
2. A received message is stored into the first mailbox that matches the condition resulting from the receive mode settings and acceptance filtering. When selecting the mailbox to store the received message, the mailbox with the smaller number has higher priority.
3. In CAN operation mode, the CAN module does not receive its own transmitted data even when the ID is a match. In self-test mode, however, the CAN module receives its own transmitted data and returns ACK.

When configuring a mailbox as a transmit mailbox or a one-shot transmit mailbox:

1. Before configuring the mailbox, ensure that MCTL_TXj is 00h and there is no pending abort process.

30.7.1 Reception

Figure 30.18 shows an operation example of data frame reception in overwrite mode.

The example shows the overwriting of the first message when the CAN module receives two consecutive CAN messages that match the receiving conditions in MCTL_RXj (j = 0 to 31).

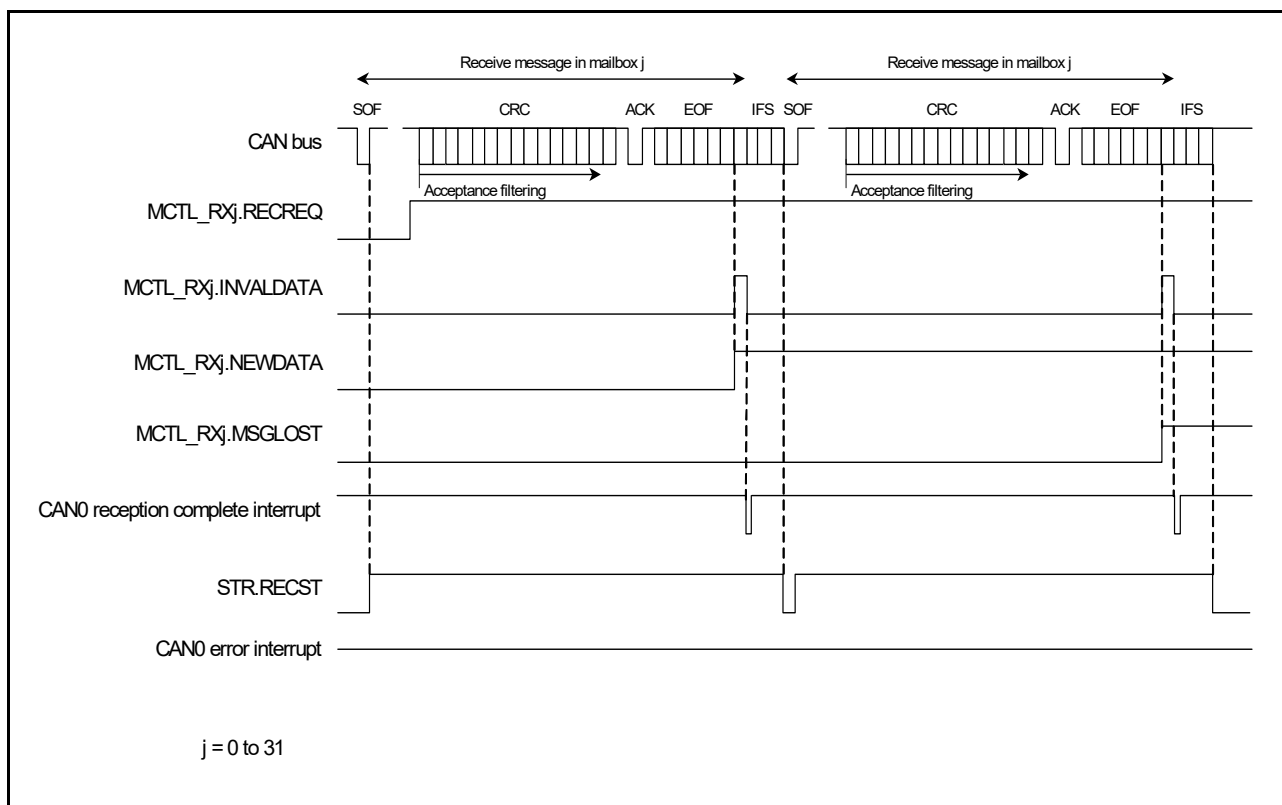


Figure 30.18 Operation example of data frame reception in overwrite mode

1. When an SOF is detected on the CAN bus, the RECST bit in STR is set to 1 (reception in progress) if the CAN module has no message ready to start transmission.
2. Acceptance filtering starts at the beginning of the CRC field to select the receive mailbox.
3. After a message is received, the NEWDATA flag in MCTL_RXj for the receive mailbox is set to 1 (new message is being stored or was stored to the mailbox). The INVALIDDATA flag in MCTL_RXj is set to 1 (message is being updated) at the same time, and then the INVALIDDATA flag is set to 0 (message valid) again after the complete message is transferred to the mailbox.
4. When the interrupt enable bit in MIER for the receive mailbox is 1 (interrupt enabled), the INVALIDDATA flag is set to 0, which triggers a CAN0 reception complete interrupt request.
5. After reading the message from the mailbox, software must set the NEWDATA flag to 0.
6. In overwrite mode, if the next CAN message is received while the NEWDATA flag in MCTL_RXj is set to 1, the MSGLOST flag in MCTL_RXj is set to 1 (message was overwritten). The new received message is transferred to the mailbox. The CAN0 reception complete interrupt request is generated in the same way as in step 4.

Figure 30.19 shows the operation example of data frame reception in overrun mode. The example shows the overrunning of the second message when the CAN module receives two consecutive CAN messages that match the receiving conditions of MCTL_RXj (j = 0 to 31).

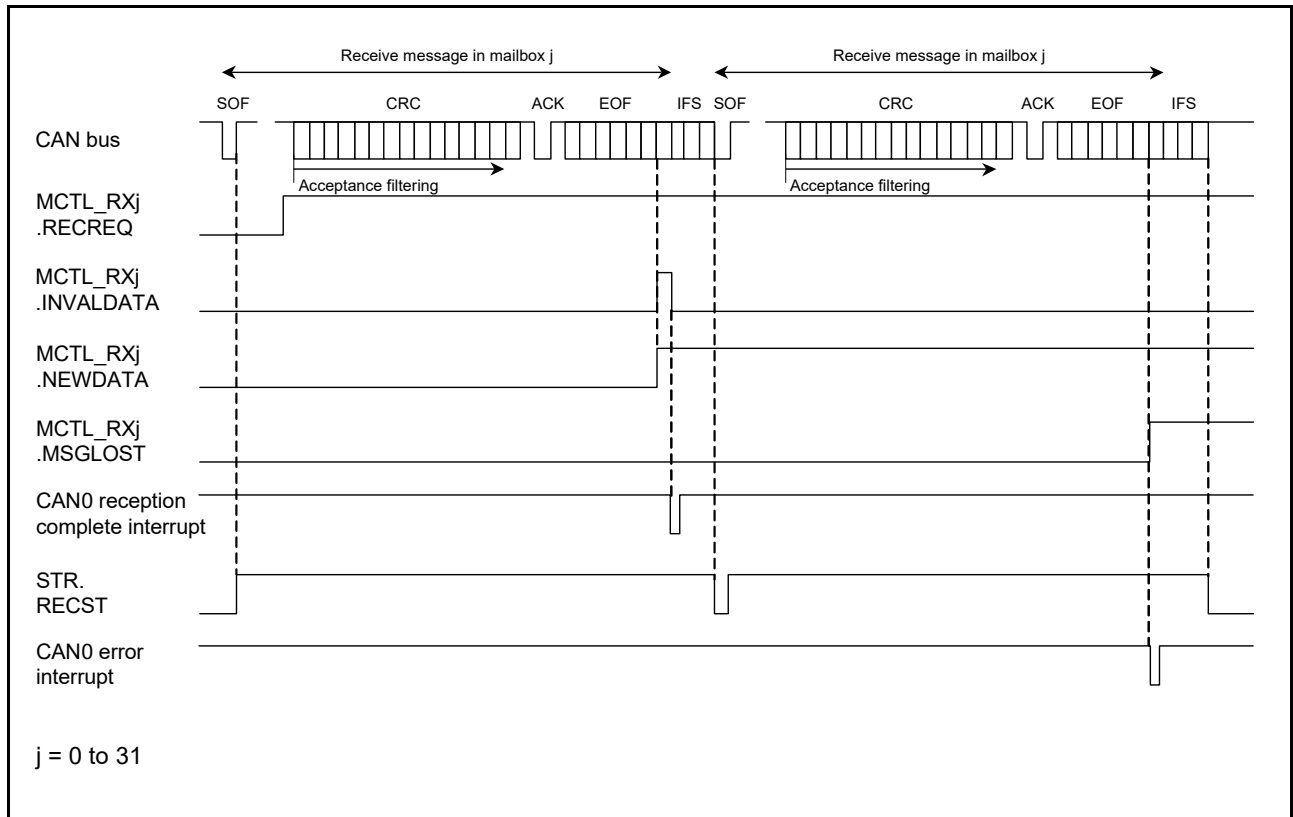


Figure 30.19 Operation example of data frame reception in overrun mode

Steps 1. to 5. are the same as in overwrite mode.

1. In overrun mode, if the next CAN message is received before the NEWDATA flag in MCTL_RXj is set to 0, the MSGLOST flag in MCTL_RXj is set to 1 (message was overrun). The new received message is discarded and a CAN0 error interrupt request is generated when the associated interrupt enable bit in the EIER register is set to 1 (interrupt enabled).

30.7.2 Transmission

Figure 30.20 shows an operation example of data frame transmission.

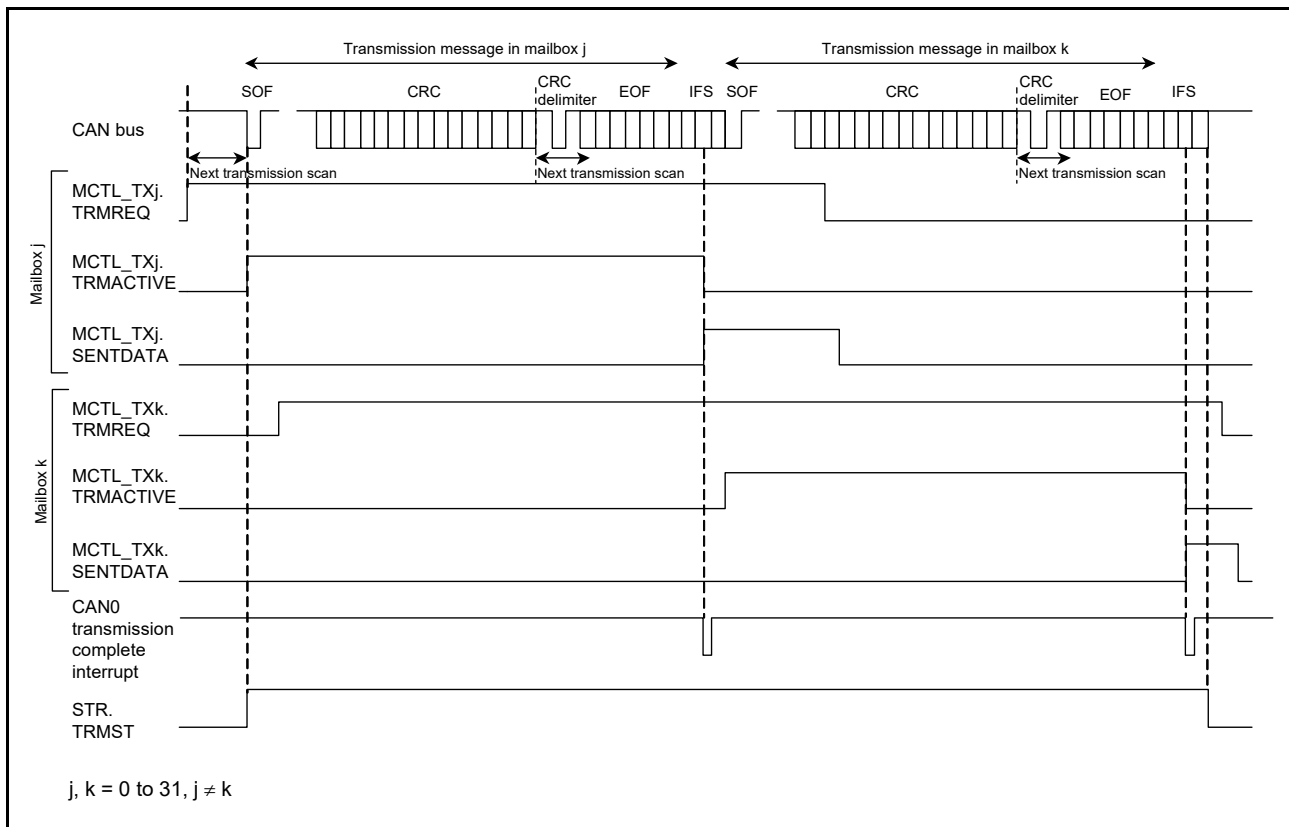


Figure 30.20 Operation example of data frame transmission

1. When a TRMREQ bit in MCTL_TXj ($j = 0$ to 31) is set to 1 (transmit mailbox) in the bus-idle state, the mailbox scanning determines the highest-priority mailbox for transmission. When the transmit mailbox is determined, the TRMACTIVE flag in MCTL_TXj is set to 1 (from acceptance of transmission request to completion of transmission, or error/arbitration-lost), the TRMST bit in STR is set to 1 (transmission in progress), and the CAN module starts transmission.*1
2. If other TRMREQ bits are set, the transmission scanning starts with the CRC delimiter for the next transmission.
3. If transmission is completed without losing arbitration, the SENTDATA flag in MCTL_TXj is set to 1 (transmission complete) and the TRMACTIVE flag is set to 0 (transmission is pending or transmission is not requested). If the interrupt enable bit in MIER is 1 (interrupt enabled), the CAN0 transmission complete interrupt request is generated.
4. When requesting the next transmission from the same mailbox, set bits SENTDATA and TRMREQ to 0, then set the TRMREQ bit to 1 after checking that the SENTDATA and TRMREQ bits are set to 0.

Note 1. If arbitration is lost after the CAN module starts transmission, the TRMACTIVE flag is set to 0. The transmission scanning is performed again to search for the highest-priority transmit mailbox from the beginning of the CRC delimiter. If an error occurs either during transmission or following arbitration-lost, transmission scanning is performed again to search for the highest-priority transmit mailbox from the start of the CRC delimiter.

30.8 Interrupt

The CAN module provides the following interrupts for each channel:

- CAN0 reception complete interrupt for mailboxes 0 to 31 (CAN0_RXM)
- CAN0 transmission complete interrupt for mailboxes 0 to 31 (CAN0_TXM)
- CAN0 receive FIFO interrupt (CAN0_RXF)
- CAN0 transmit FIFO interrupt (CAN0_TXF)

- CAN0 error interrupt (CAN0_ERS).

Eight interrupt sources are available for the CAN0 error interrupts. Check the EIFR register to determine the interrupt sources:

- Bus error
- Error-warning
- Error-passive
- Bus-off entry
- Bus-off recovery
- Receive overrun
- Overload frame transmission
- Bus lock.

Table 30.11 lists the CAN interrupts.

Table 30.11 CAN interrupts

| Module | Interrupt symbol | Interrupt source | Source flag |
|----------|------------------|-------------------------------------------------------------------|-----------------------------------------|
| CAN0 | CAN0_ERS | Bus lock detected | EIFR.BLIF |
| | | Overload frame transmission detected | EIFR.OLIF |
| | | Overrun detected | EIFR.ORIF |
| | | Bus-off recovery detected | EIFR.BORIF |
| | | Bus-off entry detected | EIFR.BOEIF |
| | | Error-passive detected | EIFR.EPIF |
| | | Error-warning detected | EIFR.EWIF |
| | | Bus error detected | EIFR.BEIF |
| CAN0_RXF | CAN0_RXF | Receive FIFO message received (MIER_FIFO.MB29 = 0) | RFCR.RFUST[2:0] |
| | | Receive FIFO warning (MIER_FIFO.MB29 = 1) | |
| CAN0_TXF | CAN0_TXF | Transmit FIFO message transmission completed (MIER_FIFO.MB25 = 0) | TFCR.TFUST[2:0] |
| | | FIFO last message transmission completed (MIER_FIFO.MB25 = 1) | |
| CAN0_RXM | CAN0_RXM | Mailbox 0 to 31 message received | MCTL_RX0.NEWDATA to MCTL_RX31.NEWDATA |
| CAN0_TXM | CAN0_TXM | Mailbox 0 to 31 message transmission completed | MCTL_TX0.SENTDATA to MCTL_TX31.SENTDATA |

30.9 Usage Notes

30.9.1 Setting for the Module-Stop State

The Module Stop Control Register B (MSTPCRB) can enable or disable CAN operation. The CAN module is stopped after a reset. The registers become accessible on release from the module-stop state. For details, see [section 10, Low Power Modes](#).

30.9.2 Setting for Operating Clock

The settings for the operating clock can be made as follows:

- The following clock constraint must be satisfied for the CAN module when the CCLKS bit is 1:

$$fPCLKB \geq fCANMCLK$$

- The source of the peripheral module clocks must be PLL for the CAN module when the CCLKS bit is 0
- The clock frequency ratio of PCLKA and PCLKB must be 2:1 when using the CAN module. Operation is not guaranteed in other settings.

31. Serial Peripheral Interface (SPI)

31.1 Overview

The MCU provides two independent channels of the Serial Peripheral Interface (SPI). The SPI channels are capable of high-speed, full-duplex synchronous serial communications with multiple processors and peripheral devices.

Table 31.1 lists the SPI specifications, and Figure 31.1 shows the block diagram.

In this section, n indicates A or B, and i indicates 0 or 1. A lower-case letter i in pin and signal names indicates a value from 0 to 3.

Table 31.1 SPI specifications (1 of 2)

| Parameter | Description |
|----------------------------|--------------------------------------------------------------------------------------------------------------------------------------------------------------------------------------------------------------------------------------------------------------------------------------------------------------------------------------------------------------------------------------------------------------------------------------------------------------------------------------------------------------------------------------------------------------------------------------------------------------------------------------------------------------------------------------------------------------------------------------------------------------------------------------------------------------------------------------------------------------------------------|
| Number of channels | Two channels |
| SPI transfer functions | <ul style="list-style-type: none"> • MOSI (master out/slave in), MISO (master in/slave out), SSL (slave select), and RSPCK (SPI clock) signals enable serial communications through SPI operation (4-wire method) or clock synchronous operation (3-wire method) • Transmit-only operation is available • Communication mode: Full-duplex or transmit-only can be selected • Switching of RSPCK polarity • Switching of RSPCK phase. |
| Data format | <ul style="list-style-type: none"> • MSB-first or LSB-first selectable • Transfer bit length selectable as 8, 9, 10, 11, 12, 13, 14, 15, 16, 20, 24, or 32 bits • 32-bit transmit and receive buffers • One frame can be transferred in one round of transmission or reception. |
| Bit rate | <ul style="list-style-type: none"> • In master mode, the on-chip baud rate generator generates RSPCK by frequency-dividing PCLKA (the division ratio ranges from divided by 2 to divided by 4096) • In slave mode, the minimum PCLKA clock divided by 6 can be input as RSPCK (the maximum RSPCK frequency is that of PCLKA divided by 6). Width at high level: 3 PCLK cycles Width at low level: 3 PCLK cycles. |
| Buffer configuration | <ul style="list-style-type: none"> • Double buffer configuration for the transmit and receive buffers • 32 bits for the transmit and receive buffers. |
| Error detection | <ul style="list-style-type: none"> • Mode fault error detection • Underrun error detection • Overrun error detection*1 • Parity error detection. |
| SSL control function | <ul style="list-style-type: none"> • Four SSL pins (SSLn0 to SSLn3) for each channel • In single-master mode, SSLn0 to SSLn3 pins are output • In multi-master mode: SSLn0 pin for input and SSLn1 to SSLn3 pins for either output or unused. • In slave mode: SSLn0 pin for input and SSLn1 to SSLn3 pins for unused. • Controllable delay from SSL output assertion to RSPCK operation (RSPCK delay) Range: 1 to 8 RSPCK cycles (set in RSPCK-cycle units) • Controllable delay from RSPCK stop to SSL output negation (SSL negation delay) Range: 1 to 8 RSPCK cycles (set in RSPCK-cycle units) • Controllable wait for next-access SSL output assertion (next-access delay) Range: 1 to 8 RSPCK cycles (set in RSPCK-cycle units) • Function for changing SSL polarity. |
| Control in master transfer | <ul style="list-style-type: none"> • Support for the following commands: SSL signal value, bit rate, RSPCK polarity/phase, transfer data length, MSB- or LSB-first, RSPCK delay, SSL negation delay, and next-access delay • A transfer can be initiated by writing to the transmit buffer • MOSI signal value specifiable in SSL negation • RSPCK auto-stop function. |
| Interrupt sources | <ul style="list-style-type: none"> • Receive buffer full interrupt • Transmit buffer empty interrupt • SPI error interrupt (mode fault, overrun, parity error) • SPI idle interrupt (SPI idle) • Transmission-completed interrupt. |

Table 31.1 SPI specifications (2 of 2)

| Parameter | Description |
|------------------------------|--------------------------------------------------------------------------------------------------------------------------------------------------------------------------------------------------------------------------------------------------------------------------------------|
| Event link function (output) | The following events can be output to the event link controller: <ul style="list-style-type: none">• Receive buffer full• Transmit buffer empty• Mode fault, underrun, overrun, or parity error• SPI idle• Transmission-completed. |
| Others | <ul style="list-style-type: none">• Function for initializing the SPI• Loopback mode. |
| Module-stop function | Module-stop state can be set to reduce power consumption |

Note 1. In master reception, when the RSPCK auto-stop function is enabled, an overrun error does not occur because the transfer clock is stopped on overrun error detection.

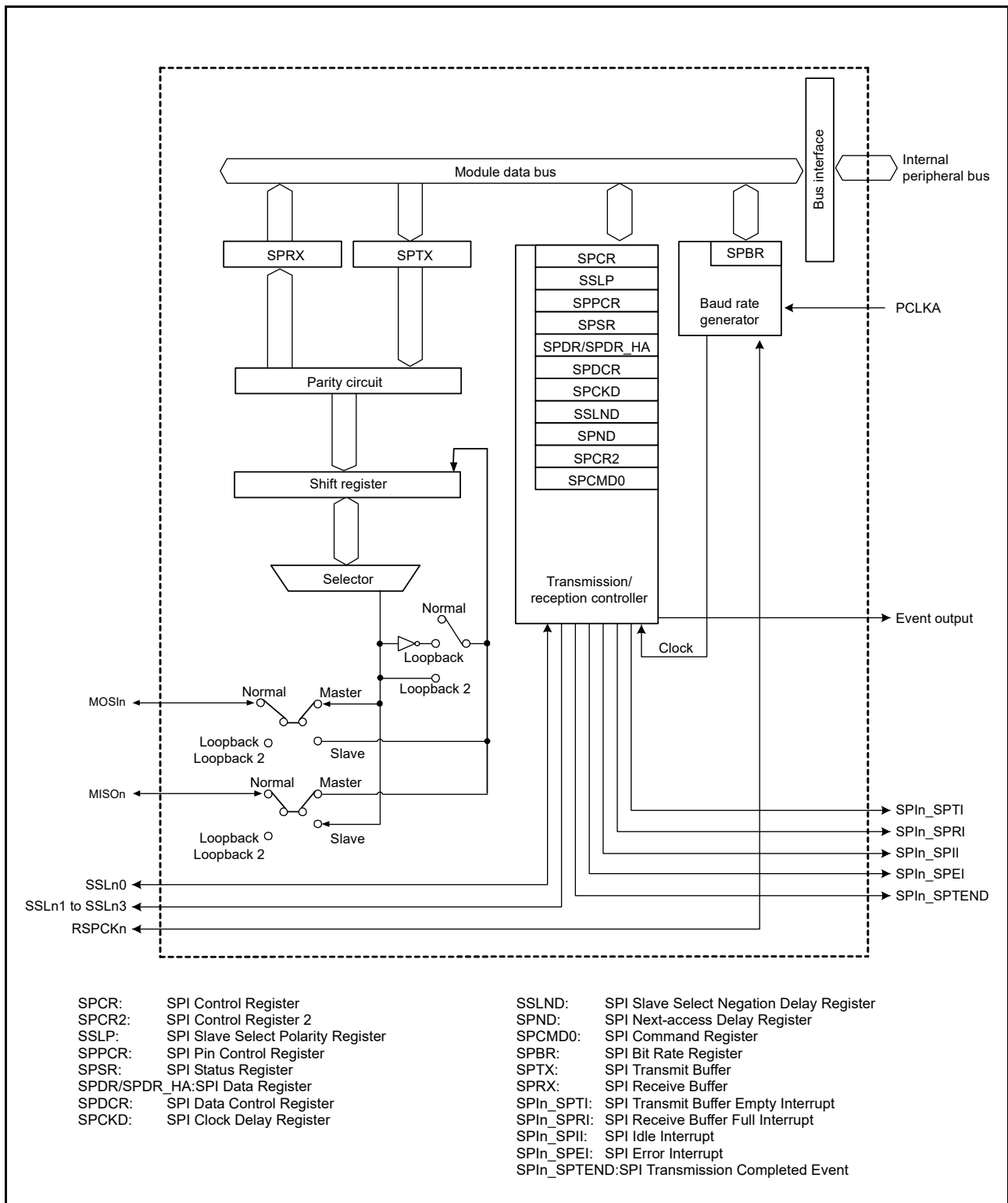


Figure 31.1 SPI block diagram

Table 31.2 lists the I/O pins used in the SPI. The SPI automatically switches the I/O direction of the SSLn0 pin. SSLn0 is set as an output when the SPI is a single master and as an input when the SPI is a multi-master or a slave. The RSPCKn, MOSIn, and MISOin pins are automatically set as inputs or outputs based on the master or slave setting and the level input on the SSLn0 pin. For details, see section 31.3.2, Controlling the SPI Pins.

Table 31.2 SPI pin configuration

| Channel | Pin name | I/O | Function |
|---------|----------|--------|--------------------------|
| SPI0 | RSPCKA | I/O | Clock I/O |
| | MOSIA | I/O | Master transmit data I/O |
| | MISOA | I/O | Slave transmit data I/O |
| | SSLA0 | I/O | Slave selection I/O |
| | SSLA1 | Output | Slave selection output |
| | SSLA2 | Output | Slave selection output |
| | SSLA3 | Output | Slave selection output |
| SPI1 | RSPCKB | I/O | Clock I/O |
| | MOSIB | I/O | Master transmit data I/O |
| | MISOB | I/O | Slave transmit data I/O |
| | SSLB0 | I/O | Slave selection I/O |
| | SSLB1 | Output | Slave selection output |
| | SSLB2 | Output | Slave selection output |
| | SSLB3 | Output | Slave selection output |

31.2 Register Descriptions

31.2.1 SPI Control Register (SPCR)

Address(es): SPI0.SPCR 4007 2000h, SPI1.SPCR 4007 2100h

| b7 | b6 | b5 | b4 | b3 | b2 | b1 | b0 |
|-------|-----|-------|-------|------|--------|------|------|
| SPRIE | SPE | SPTIE | SPEIE | MSTR | MODFEN | TXMD | SPMS |

Value after reset: 0 0 0 0 0 0 0 0

| Bit | Symbol | Bit name | Description | R/W |
|-----|--------|------------------------------------------|------------------------------------------------------------------------------------------------------------------------------------|-----|
| b0 | SPMS | SPI Mode Select | 0: Select SPI operation (4-wire method) 1: Select clock synchronous operation (3-wire method). | R/W |
| b1 | TXMD | Communications Operating Mode Select | 0: Select full-duplex synchronous serial communications 1: Select serial communications consisting of only transmit operations. | R/W |
| b2 | MODFEN | Mode Fault Error Detection Enable | 0: Disable the detection of mode fault error 1: Enable the detection of mode fault error. | R/W |
| b3 | MSTR | SPI Master/Slave Mode Select | 0: Select slave mode 1: Select master mode. | R/W |
| b4 | SPEIE | SPI Error Interrupt Enable | 0: Disable SPI error interrupt requests 1: Enable SPI error interrupt requests. | R/W |
| b5 | SPTIE | Transmit Buffer Empty Interrupt Enable | 0: Disable transmit buffer empty interrupt requests 1: Enable transmit buffer empty interrupt requests. | R/W |
| b6 | SPE | SPI Function Enable | 0: Disable SPI function 1: Enable SPI function. | R/W |
| b7 | SPRIE | SPI Receive Buffer Full Interrupt Enable | 0: Disable SPI receive buffer full interrupt requests 1: Enable SPI receive buffer full interrupt requests. | R/W |

If the SPCR.MSTR, SPCR.MODFEN, or SPCR.TXMD bit is changed while the SPCR.SPE bit is 1, do not perform subsequent operations.

SPMS bit (SPI Mode Select)

The SPMS bit selects SPI operation (4-wire method) or clock synchronous operation (3-wire method).

The SSLn0 to SSLn3 pins are not used in clock synchronous operation. The RSPCKn, MOSIn, and MISO pins handle communications. If clock synchronous operation is in master mode (SPCR.MSTR = 1), the SPCMD0.CPHA bit can be set to either 0 or 1. Set the CPHA bit to 1 if clock synchronous operation is in slave mode (SPCR.MSTR = 0). Do not perform operations if the CPHA bit is set to 0 when clock synchronous operation is in slave mode (SPCR.MSTR = 0).

TXMD bit (Communications Operating Mode Select)

The TXMD bit selects full-duplex synchronous serial communications or transmit-only operations.

When this bit is set to 1, the SPI performs only transmit operations and not receive operations (see [section 31.3.6, Data Transfer Modes](#)), and receive buffer full interrupt requests cannot be used.

MODFEN bit (Mode Fault Error Detection Enable)

The MODFEN bit enables or disables detection of mode fault errors (see [section 31.3.8, Error Detection](#)). In addition, the SPI determines the I/O direction of the SSLn0 to SSLn3 pins based on combinations of the MODFEN and MSTR bit settings (see [section 31.3.2, Controlling the SPI Pins](#)).

MSTR bit (SPI Master/Slave Mode Select)

The MSTR bit selects master/slave mode of the SPI. According to MSTR bit settings, the SPI determines the direction of pins RSPCKn, MOSIn, MISO, and SSLn0 to SSLn3.

SPEIE bit (SPI Error Interrupt Enable)

The SPEIE bit enables or disables the generation of SPI error interrupt requests when:

- The SPI detects a mode fault error or underrun error and sets the SPSR.MODF flag to 1
- The SPI detects an overrun error and sets the SPSR.OVRF flag to 1
- The SPI detects a parity error and sets the SPSR.PERF flag to 1.

See [section 31.3.8, Error Detection](#).

SPTIE bit (Transmit Buffer Empty Interrupt Enable)

The SPTIE bit enables or disables the generation of transmit buffer empty interrupt requests when the SPI detects that the transmit buffer is empty.

A transmit buffer empty interrupt request on transmission start is generated by setting the SPE and SPTIE bits to 1 at the same time or by setting the SPE bit to 1 after setting the SPTIE bit to 1. A transmit buffer interrupt is generated when the SPTIE bit is 1 even if the SPI function is disabled (the SPE bit is changed to 0).

SPE bit (SPI Function Enable)

The SPE bit enables or disables the SPI function. The SPE bit cannot be set to 1 when the SPSR.MODF flag is 1. For details, see [section 31.3.8, Error Detection](#).

Setting the SPE bit to 0 disables the SPI function and initializes a part of the module function. For details, see [section 31.3.9, Initializing the SPI](#). Additionally, a state change on the SPE bit from 0 to 1 or 1 to 0 triggers a transmit buffer empty interrupt request.

SPRIE bit (SPI Receive Buffer Full Interrupt Enable)

The SPRIE bit enables or disables the generation of an SPI receive buffer full interrupt request when the SPI detects a receive buffer full write after completion of a serial transfer.

31.2.2 SPI Slave Select Polarity Register (SSLP)

Address(es): SPI0.SSLP 4007 2001h, SPI1.SSLP 4007 2101h

| | | | | | | | |
|----|----|----|----|-------|-------|-------|-------|
| b7 | b6 | b5 | b4 | b3 | b2 | b1 | b0 |
| — | — | — | — | SSL3P | SSL2P | SSL1P | SSL0P |
| 0 | 0 | 0 | 0 | 0 | 0 | 0 | 0 |

Value after reset:

| Bit | Symbol | Bit name | Description | R/W |
|----------|--------|------------------------------|----------------------------------------------------------------|-----|
| b0 | SSL0P | SSL0 Signal Polarity Setting | 0: SSL0 signal is active-low 1: SSL0 signal is active-high. | R/W |
| b1 | SSL1P | SSL1 Signal Polarity Setting | 0: SSL1 signal is active-low 1: SSL1 signal is active-high. | R/W |
| b2 | SSL2P | SSL2 Signal Polarity Setting | 0: SSL2 signal is active-low 1: SSL2 signal is active-high. | R/W |
| b3 | SSL3P | SSL3 Signal Polarity Setting | 0: SSL3 signal is active-low 1: SSL3 signal is active-high. | R/W |
| b7 to b4 | — | Reserved | These bits are read as 0. The write value should be 0. | R/W |

If the contents of SSLP are changed while the SPCR.SPE bit is 1, do not perform subsequent operations.

31.2.3 SPI Pin Control Register (SPPCR)

Address(es): SPI0.SPPCR 4007 2002h, SPI1.SPPCR 4007 2102h

| | | | | | | | |
|----|----|-------|-------|----|----|-------|------|
| b7 | b6 | b5 | b4 | b3 | b2 | b1 | b0 |
| — | — | MOIFE | MOIFV | — | — | SPLP2 | SPLP |
| 0 | 0 | 0 | 0 | 0 | 0 | 0 | 0 |

Value after reset:

| Bit | Symbol | Bit name | Description | R/W |
|--------|--------|-------------------------------|------------------------------------------------------------------------------------------------------------------------------------|-----|
| b0 | SPLP | SPI Loopback | 0: Normal mode 1: Loopback mode, with data inverted for transmission. | R/W |
| b1 | SPLP2 | SPI Loopback 2 | 0: Normal mode 1: Loopback mode, with data not inverted for transmission. | R/W |
| b3, b2 | — | Reserved | These bits are read as 0. The write value should be 0. | R/W |
| b4 | MOIFV | MOSI Idle Fixed Value | 0: The level output on the MOSIn pin during MOSI idling is low 1: The level output on the MOSIn pin during MOSI idling is high. | R/W |
| b5 | MOIFE | MOSI Idle Value Fixing Enable | 0: MOSI output value equals final data from previous transfer 1: MOSI output value equals the value set in the MOIFV bit. | R/W |
| b7, b6 | — | Reserved | These bits are read as 0. The write value should be 0. | R/W |

If the contents of SPPCR are changed when the SPCR.SPE bit is 1, do not perform subsequent operations.

SPLP bit (SPI Loopback)

The SPLP bit selects the mode of the SPI pins. When the SPLP bit is set to 1, the SPI shuts off the path between the MISOn pin and the shift register if the SPCR.MSTR bit is 1, and between the MOSIn pin and the shift register if the SPCR.MSTR bit is 0. The SPI then connects the input path and output path for the shift register, establishing loopback mode.

SPLP2 bit (SPI Loopback 2)

The SPLP2 bit selects the mode of the SPI pins. When the SPLP2 bit is set to 1, the SPI shuts off the path between the MISOn pin and the shift register if the SPCR.MSTR bit is 1, and between the MOSIn pin and the shift register if the

SPCR.MSTR bit is 0. The SPI then connects the input path and output path for the shift register, establishing loopback mode.

MOIFV bit (MOSI Idle Fixed Value)

If the MOIFE bit is 1 in master mode, the MOIFV bit determines the MOSIn pin output value during the SSL negation period.

MOIFE bit (MOSI Idle Value Fixing Enable)

The MOIFE bit fixes the MOSIn output value when the SPI in master mode is in an SSL negation period. When the MOIFE bit is 0, the SPI outputs the last data from the previous serial transfer during the SSL negation period to the MOSIn pin. When the MOIFE bit is 1, the SPI outputs the fixed value set in the MOIFV bit to the MOSIn pin.

31.2.4 SPI Status Register (SPSR)

Address(es): SPI0.SPSR 4007 2003h, SPI1.SPSR 4007 2103h

| b7 | b6 | b5 | b4 | b3 | b2 | b1 | b0 |
|------|----|-------|------|------|------|-------|------|
| SPRF | — | SPTEF | UDRF | PERF | MODF | IDLNF | OVRF |
| 0 | 0 | 1 | 0 | 0 | 0 | 0 | 0 |

Value after reset:

| Bit | Symbol | Bit name | Description | R/W |
|-----|--------|--------------------------------|--------------------------------------------------------------------------------------------------------------------------------|----------|
| b0 | OVRF | Overrun Error Flag | 0: No overrun error occurs 1: An overrun error occurs. | R/(W)*1 |
| b1 | IDLNF | SPI Idle Flag | 0: SPI is in idle state 1: SPI is in transfer state. | R |
| b2 | MODF | Mode Fault Error Flag | 0: No mode fault error or underrun error occurs 1: A mode fault error or an underrun error occurs. | R/(W)*1 |
| b3 | PERF | Parity Error Flag | 0: No parity error occurs 1: A parity error occurs. | R/(W)*1 |
| b4 | UDRF | Underrun Error Flag | 0: A mode fault error occurs (MODF = 1) 1: An underrun error occurs (MODF = 1). This bit is invalid when MODF flag is 0. | R/W*1,*2 |
| b5 | SPTEF | SPI Transmit Buffer Empty Flag | 0: Data found in the transmit buffer 1: No data in the transmit buffer. | R/(W)*3 |
| b6 | — | Reserved | This bit is read as 0. The write value should be 0. | R/W |
| b7 | SPRF | SPI Receive Buffer Full Flag | 0: No valid data in SPDR/SPDR_HA 1: Valid data found in SPDR/SPDR_HA. | R/(W)*3 |

Note 1. Only 0 can be written to clear the flag after reading 1.

Note 2. Clear the UDRF flag at the same time as the MODF flag.

Note 3. The write value should be 1.

OVRF flag (Overrun Error Flag)

The OVRF flag indicates the occurrence of an overrun error. In master mode (when the SPCR.MSTR bit is 1) and when the RSPCK clock auto-stop function is enabled (the SPCR2.SCKASE bit is 1), an overrun error does not occur, and this flag does not become 1. For details, see [section 31.3.8.1, Overrun errors](#).

[Setting condition]

- When the next serial transfer ends when the SPCR.TXMD bit is 0 and the receive buffer is full.

[Clearing condition]

- When SPSR is read while the OVRF flag is 1.

IDLNF flag (SPI Idle Flag)

The IDLNF flag indicates the transfer status of the SPI.

[Setting condition]

Master mode

- When conditions 1. and 2. in the master mode [Clearing condition] are not satisfied.

Slave mode

- When the SPCR.SPE bit is 1, enabling the SPI function.

[Clearing condition]

Master mode

- When condition 1. is satisfied or conditions 2. and 3. are satisfied.
 1. The SPCR.SPE bit is 0 for SPI initialization.
 2. The transmit buffer (SPTX) is empty, meaning data for the next transfer is not set.
 3. The SPI internal sequencer is in the idle state, indicating that operations up to the next-access delay are complete.

Slave mode

- The SPCR.SPE bit is 0 for SPI initialization.

MODF flag (Mode Fault Error Flag)

The MODF flag indicates the occurrence of a mode fault error or an underrun error. The UDRF flag indicates which error occurred.

[Setting conditions]

Master mode

- When the input level of the SSLni pin changes to the active level while the SPCR.MSTR bit is 1 (master mode) and the SPCR.MODFEN bit is 1 (mode fault error detection is enabled), triggering a mode fault error.

Slave mode

- When either condition 1. or 2. is satisfied.
 1. When the SSLni pin is negated before the RSPCK cycle required for data transfer ends while the SPCR.MSTR bit is 0 (slave mode) and the SPCR.MODFEN bit is 1 (mode fault error detection is enabled), triggering a mode fault error.
 2. When the serial transfer begins with the SPCR.MSTR bit is 0 (slave mode), SPCR.SPE bit is 1, and the transmission data not prepared, triggering an underrun error.

The active level of the SSLni signal is determined by the SSLP.SSLiP bit (SSLi signal polarity setting bit).

[Clearing condition]

- When SPSR is read while the MODF flag is 1.

PERF flag (Parity Error Flag)

The PERF flag indicates the occurrence of a parity error.

[Setting condition]

- When a serial transfer ends while the SPCR.TXMD bit is 0 and the SPCR2.SPPE bit is 1, the SPI detects a parity error.

[Clearing condition]

- When SPSR is read when the PERF flag is 1.

UDRF flag (Underrun Error Flag)

The UDRF flag indicates the occurrence of an underrun error.

[Setting condition]

- When the serial transfer begins with the SPCR.MSTR bit set to 0 (slave mode), SPCR.SPE bit is 1, and the

transmission data not prepared, triggering an underrun error.

[Clearing condition]

- When SPSR is read while the UDRF flag is 1.

SPTEF flag (SPI Transmit Buffer Empty Flag)

The SPTEF flag indicates the status of the transmit buffer for the SPI data register (SPDR/SPDR_HA).

[Setting conditions]

- When either condition 1. or 2. is satisfied.
 1. The SPCR.SPE bit is 0 for SPI initialization.
 2. Transmit data is transferred from the transmit buffer to the shift register.

[Clearing condition]

- When data is written to SPDR/SPDR_HA.

Data can only be written to SPDR/SPDR_HA when the SPTEF bit is 1. If data is written to the transmit buffer of SPDR/SPDR_HA when the SPTEF bit is 0, data in the transmit buffer is not updated.

SPRF flag (SPI Receive Buffer Full Flag)

The SPRF flag indicates the status of the receive buffer for the SPI data register (SPDR/SPDR_HA).

[Setting conditions]

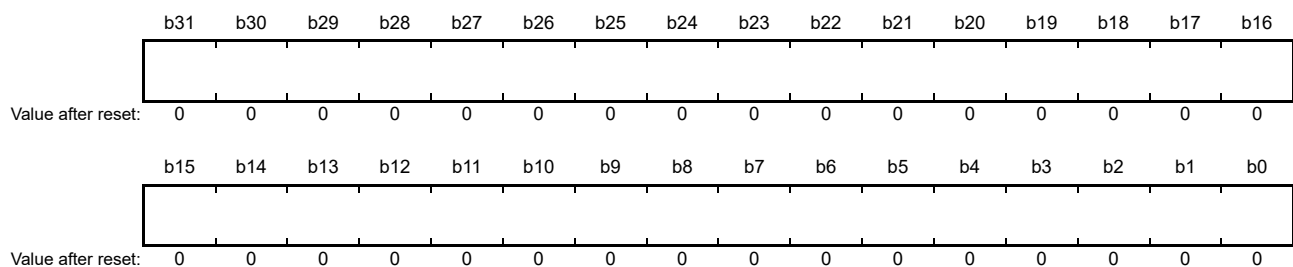
- When the SPI transfers receive data from the shift register to SPDR/SPDR_HA, while the SPCR.TXMD bit is 0 and the SPRF flag is 0. When the OVRF flag is 1, however, this flag does not change from 0 to 1.

[Clearing condition]

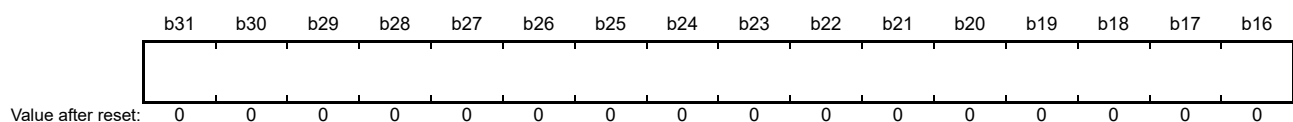
- When received data is read from the SPDR/SPDR_HA.

31.2.5 SPI Data Register (SPDR/SPDR_HA)

Address(es): [SPI0.SPDR 4007 2004h](#), [SPI1.SPDR 4007 2104h](#)



Address(es): [SPI0.SPDR_HA 4007 2004h](#), [SPI1.SPDR_HA 4007 2104h](#)



The SPDR/SPDR_HA register is the interface with the buffers that hold data for transmission and reception by the SPI.

When accessing this register in words (SPLW is 1), access the SPDR register. When accessing it in halfwords (SPLW is 0), access the SPDR_HA register.

The transmit buffer (SPTX) and receive buffer (SPRX) are independent but are both mapped to SPDR/SPDR_HA.

[Figure 31.2](#) shows the configuration of the SPDR/SPDR_HA register.

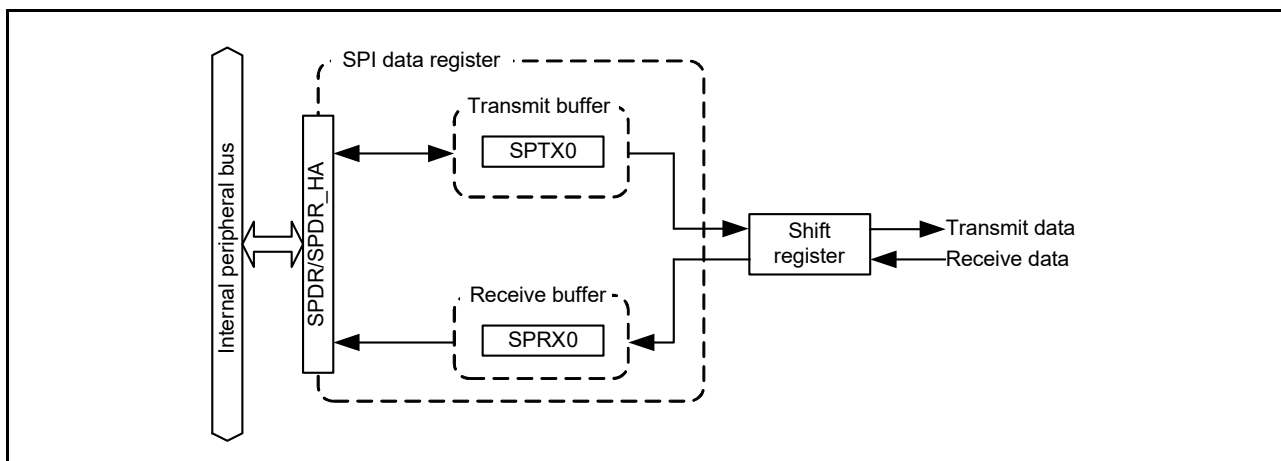


Figure 31.2 Configuration of SPDR/SPDR_HA

The transmit and receive buffers each have one stage. These two stages of the buffer are all mapped to the single address of SPDR/SPDR_HA.

Data written to SPDR/SPDR_HA is written to a transmit-buffer stage (SPTX0) and then transmitted from the buffer. The receive buffer holds received data on completion of reception. The receive buffer is not updated if an overrun is generated.

If the data length is not 32 bits, the bits not referred to in (SPTX0) are stored in the associated bits in SPRX0. For example, if the data length is 9 bits, received data is stored in the SPRX0[8:0] bits and the SPTX0[31:9] bits are stored in the SPRX0[31:9] bits.

(1) Bus interface

SPDR/SPDR_HA is an interface with 32-bit wide transmit and receive buffers, each of which has one stage, for a total of 32 bytes. The 32 bytes are mapped to the 4-byte address space for SPDR/SPDR_HA. The unit of access for SPDR/SPDR_HA is selected in the SPDCR.SPLW bit.

Flush data for transmission at the LSB end of the register and store the received data at the LSB end.

The following sections describe the operations involved in writing to and reading from SPDR/SPDR_HA.

(a) Writing

Data written to SPDR/SPDR_HA is written to a transmit buffer SPTX0. This is not affected by the value of the SPDCR.SPRDTD bit, unlike when reading from SPDR/SPDR_HA.

The transmit buffer includes a transmit buffer write pointer that is automatically updated to reference the next stage each time data is written to SPDR/SPDR_HA.

Figure 31.3 shows the configuration of the bus interface with the transmit buffer when writing to SPDR/SPDR_HA.

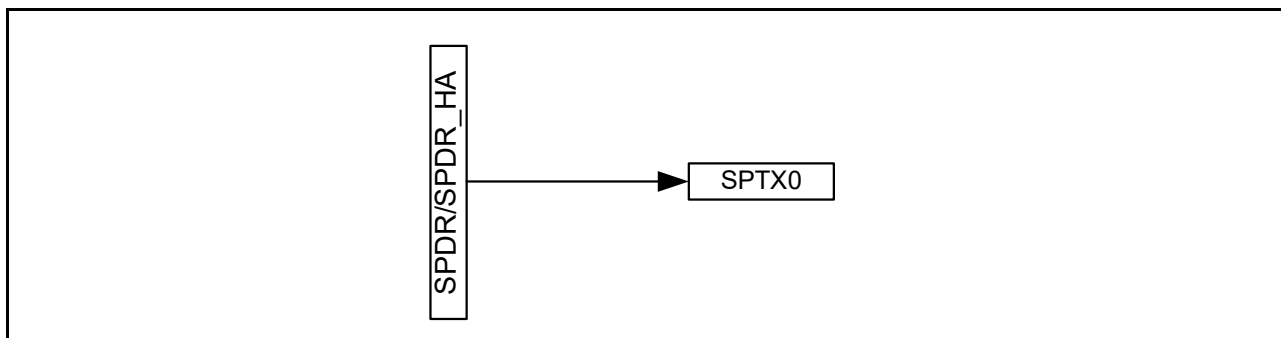


Figure 31.3 Configuration of SPDR/SPDR_HA for write access

When writing to the transmit buffer (SPTX0) after generating the transmit buffer empty interrupt (SPSR.SPTEF is 1),

write the transmission data. Even when data is written to the transmit buffer (SPTX0), the value of the buffer is not updated after completion of the writing and before generating the next transmit buffer empty interrupt (when SPSR.SPTEF is 0).

(b) Reading

SPDR/SPDR_HA can be accessed to read the value of a receive buffer (SPRX0) or a transmit buffer (SPTX0). The setting of the SPI receive or transmit data select bit, SPRDTD, in the SPI Data Control Register (SPDCR) selects whether reading is from the receive or transmit buffer.

The sequence of reading the SPDR/SPDR_HA register is controlled by the independent pointers, receive buffer read pointer, and transmit buffer read pointer.

Figure 31.4 shows the configuration of a bus interface with the receive and transmit buffers for reading from SPDR/SPDR_HA.

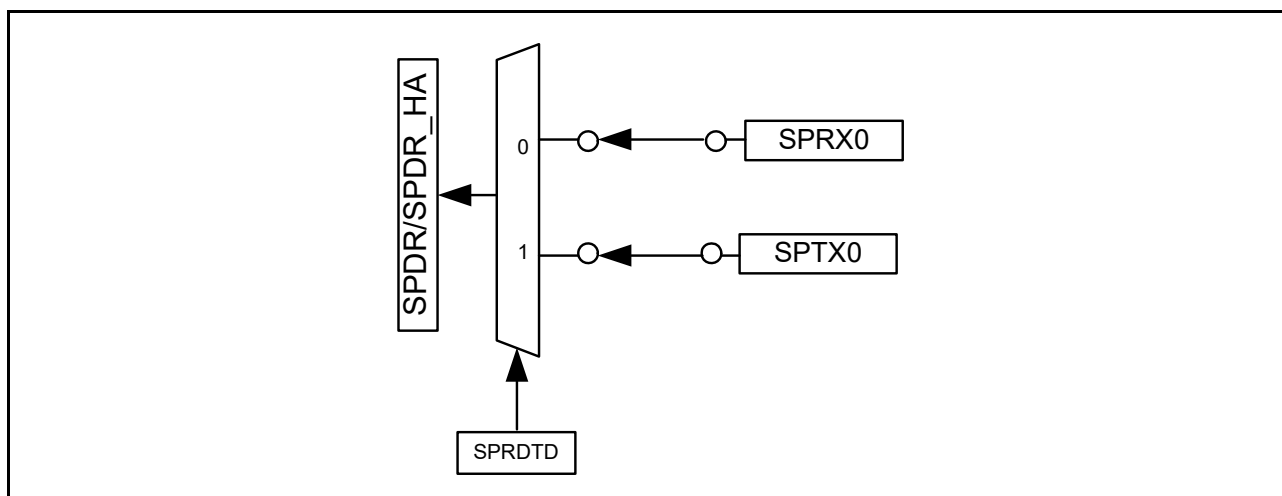
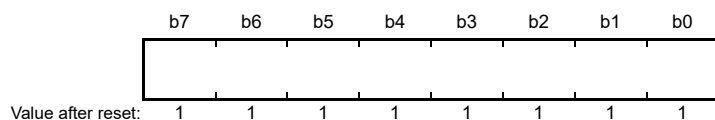


Figure 31.4 Configuration of SPDR/SPDR_HA for read access

The transmit buffer read pointer is updated when writing to SPDR/SPDR_HA, but is not updated when reading from the transmit buffer. When reading from the transmit buffer, the value most recently written to SPDR/SPDR_HA is read. However, after a transmit buffer empty interrupt is generated, the values read from the transmit buffer are all 0s in the interval after completion of writing the data and before generation of the next transmit buffer empty interrupt (when SPTEF is 0).

31.2.6 SPI Bit Rate Register (SPBR)

Address(es): SPI0.SPBR 4007 200Ah, SPI1.SPBR 4007 210Ah



The SPBR register sets the bit rate in master mode. If the contents of the SPBR register are changed while both the SPCR.MSTR and SPCR.SPE bits are 1, do not perform subsequent operations.

When the SPI is in slave mode, the bit rate depends on the bit rate of the input clock, regardless of the settings in the SPBR and the SPCMD0.BRDV[1:0] bits (bit rate division setting bits). Use bit rates that satisfy the electrical characteristics of the device.

The bit rate is determined by combination of the SPBR and SPCMD0.BRDV[1:0] settings in the SPI Command Register (SPCMD0). The equation for calculating the bit rate is given as follows:

$$\text{Bit rate} = \frac{f(\text{PCLKA})}{2 \times (n + 1) \times 2^N}$$

In the equation, n denotes an SPBR setting (0, 1, 2, ..., 255), and N denotes a BRDV[1:0] bit setting (0, 1, 2, 3).

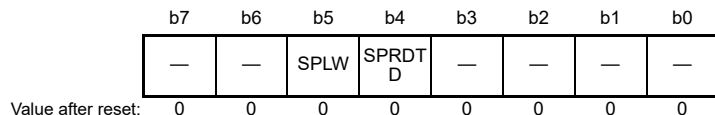
Table 31.3 lists examples of the relationship between the SPBR settings, the BRDV[1:0] settings, and bit rates.

Table 31.3 Relationship between SPBR settings, BRDV[1:0] settings, and bit rates

| SPBR (n) | BRDV[1:0] bits (N) | Division ratio | Bit rate | | |
|----------|--------------------|----------------|---------------|----------------|----------------|
| | | | PCLKA= 32 MHz | PCLKA = 36 MHz | PCLKA = 40 MHz |
| 0 | 0 | 2 | 16.0 Mbps | 18.0 Mbps | 20.0 Mbps |
| 1 | 0 | 4 | 8.00 Mbps | 9.00 Mbps | 10.0 Mbps |
| 2 | 0 | 6 | 5.33 Mbps | 6.00 Mbps | 6.67 Mbps |
| 3 | 0 | 8 | 4.00 Mbps | 4.50 Mbps | 5.00 Mbps |
| 4 | 0 | 10 | 3.20 Mbps | 3.60 Mbps | 4.00 Mbps |
| 5 | 0 | 12 | 2.67 Mbps | 3.00 Mbps | 3.33 Mbps |
| 5 | 1 | 24 | 1.33 Mbps | 1.50 Mbps | 1.67 Mbps |
| 5 | 2 | 48 | 667 kbps | 750 kbps | 833 kbps |
| 5 | 3 | 96 | 333 kbps | 375 kbps | 417 kbps |
| 255 | 3 | 4096 | 7.81 kbps | 8.80 kbps | 9.78 kbps |

31.2.7 SPI Data Control Register (SPDCR)

Address(es): SPI0.SPDCR 4007 200Bh, SPI1.SPDCR 4007 210Bh



| Bit | Symbol | Bit name | Description | R/W |
|--------|--------|-----------------------------------------------|---------------------------------------------------------------------------------------------------------------------------------------------------------|-----|
| b1, b0 | — | Reserved | These bits are read as 0. The write value should be 0. | R/W |
| b3, b2 | — | Reserved | These bits are read as 0. The write value should be 0. | R/W |
| b4 | SPRDTD | SPI Receive/Transmit Data Select | 0: Read SPDR/SPDR_HA values from the receive buffer 1: Read SPDR/SPDR_HA values from the transmit buffer (but only if the transmit buffer is empty). | R/W |
| b5 | SPLW | SPI Word Access/Halfword Access Specification | 0: Set SPDR_HA to valid for halfword access 1: Set SPDR to valid for word access. | R/W |
| b7, b6 | — | Reserved | These bits are read as 0. The write value should be 0. | R/W |

Up to one frame can be transmitted or received in one round of transmission or reception. The amount of data in each transfer is controlled by the combination of the SPCMD0.SPB[3:0] bits.

SPRDTD bit (SPI Receive/Transmit Data Select)

The SPRDTD bit selects whether the SPDR/SPDR_HA register reads values from the receive buffer or from the transmit buffer.

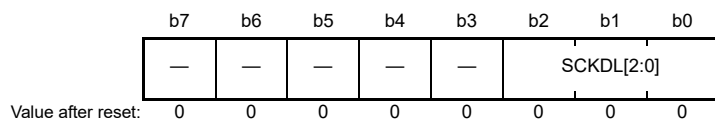
If reading is from the transmit buffer, the last value written to the SPDR/SPDR_HA register is read. Reading the transmit buffer must be done after generation of the transmit buffer empty interrupt (SPSR.SPTEF is 1). For details, see section 31.2.5, SPI Data Register (SPDR/SPDR_HA).

SPLW bit (SPI Word Access/Halfword Access Specification)

The SPLW bit specifies the access width for the SPDR register. Access to SPDR_HA in halfwords is valid when the SPLW bit is 0 and access to SPDR in words is valid when the SPLW bit is 1. In addition, when the SPLW bit is 0, set the SPI data length setting bits, SPCMD0.SP[3:0], from 8 to 16 bits. When a data length of 20, 24, or 32 bits is specified, do not perform any operations.

31.2.8 SPI Clock Delay Register (SPCKD)

Address(es): SPI0.SPCKD 4007 200Ch, SPI1.SPCKD 4007 210Ch



| Bit | Symbol | Bit name | Description | R/W |
|----------|------------|---------------------|--------------------------------------------------------------------------------------------------------------------------------------------------------|-----|
| b2 to b0 | SCKDL[2:0] | RSPCK Delay Setting | b2 b0 0 0 0: 1 RSPCK 0 0 1: 2 RSPCK 0 1 0: 3 RSPCK 0 1 1: 4 RSPCK 1 0 0: 5 RSPCK 1 0 1: 6 RSPCK 1 1 0: 7 RSPCK 1 1 1: 8 RSPCK. | R/W |
| b7 to b3 | — | Reserved | These bits are read as 0. The write value should be 0. | R/W |

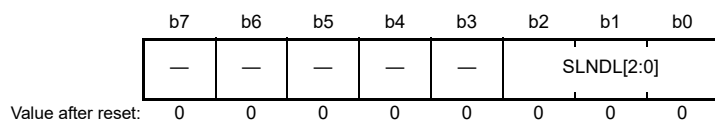
SPCKD sets a period from the beginning of SSL_{ni} signal assertion to RSPCK oscillation (RSPCK delay) when the SPCMD0.SCKDEN bit is 1. If the contents of SPCKD are changed while both the SPCR.MSTR and SPCR.SPE bits are 1, do not perform subsequent operations.

SCKDL[2:0] bits (RSPCK Delay Setting)

The SCKDL[2:0] bits set an RSPCK delay value when the SPCMD0.SCKDEN bit is 1. When using the SPI in slave mode, set the SCKDL[2:0] bits to 000b.

31.2.9 SPI Slave Select Negation Delay Register (SSLND)

Address(es): SPI0.SSLND 4007 200Dh, SPI1.SSLND 4007 210Dh



| Bit | Symbol | Bit name | Description | R/W |
|----------|------------|----------------------------|--------------------------------------------------------------------------------------------------------------------------------------------------------|-----|
| b2 to b0 | SLNDL[2:0] | SSL Negation Delay Setting | b2 b0 0 0 0: 1 RSPCK 0 0 1: 2 RSPCK 0 1 0: 3 RSPCK 0 1 1: 4 RSPCK 1 0 0: 5 RSPCK 1 0 1: 6 RSPCK 1 1 0: 7 RSPCK 1 1 1: 8 RSPCK. | R/W |
| b7 to b3 | — | Reserved | These bits are read as 0. The write value should be 0. | R/W |

The SSLND register sets a period (SSL negation delay) from the transmission of a final RSPCK edge to the negation of

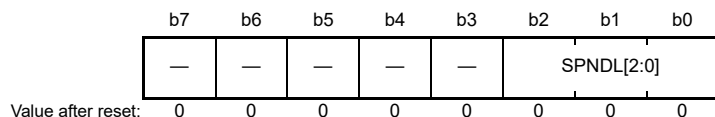
the SSLni signal during a serial transfer by the SPI in master mode. If the contents of SSLND are changed while both the SPCR.MSTR and SPCR.SPE bits are 1, do not perform subsequent operations.

SLNDL[2:0] bits (SSL Negation Delay Setting)

The SLNDL[2:0] bits set an SSL negation delay value when the SPI is in master mode. When using the SPI in slave mode, set the SLNDL[2:0] bits to 000b.

31.2.10 SPI Next-Access Delay Register (SPND)

Address(es): SPI0.SPND 4007 200Eh, SPI1.SPND 4007 210Eh



| Bit | Symbol | Bit name | Description | R/W |
|----------|------------|-------------------------------|----------------------------------------------------------------------------------------------------------------------------------------------------------------------------------------------------------------------------------------|-----|
| b2 to b0 | SPNDL[2:0] | SPI Next-Access Delay Setting | b2 b0 0 0 0: 1 RSPCK + 2 PCLKA 0 0 1: 2 RSPCK + 2 PCLKA 0 1 0: 3 RSPCK + 2 PCLKA 0 1 1: 4 RSPCK + 2 PCLKA 1 0 0: 5 RSPCK + 2 PCLKA 1 0 1: 6 RSPCK + 2 PCLKA 1 1 0: 7 RSPCK + 2 PCLKA 1 1 1: 8 RSPCK + 2 PCLKA. | R/W |
| b7 to b3 | — | Reserved | These bits are read as 0. The write value should be 0. | R/W |

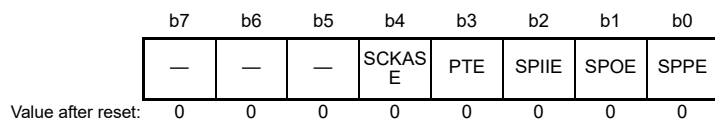
SPND sets a non-active period (next-access delay) of the SSLni signal after termination of a serial transfer when the SPCMD0.SPNDEN bit is 1. If the contents of SPND are changed while both the SPCR.MSTR and SPCR.SPE bits are 1, do not perform subsequent operations.

SPNDL[2:0] bits (SPI Next-Access Delay Setting)

The SPNDL[2:0] bits set a next-access delay when the SPCMD0.SPNDEN bit is 1. When using the SPI in slave mode, set the SPNDL[2:0] bits to 000b.

31.2.11 SPI Control Register 2 (SPCR2)

Address(es): SPI0.SPCR2 4007 200Fh, SPI1.SPCR2 4007 210Fh



| Bit | Symbol | Bit name | Description | R/W |
|-----|--------|---------------------------|-----------------------------------------------------------------------------------------------------------------------------------------------------------------------------------------------------------------------------------------------------------------------------------------------|-----|
| b0 | SPPE | Parity Enable | 0: No parity bit added to transmit data and parity bit of receive data not checked 1: Parity bit added to transmit data and parity bit of receive data checked (when SPCR.TXMD = 0). Parity bit added to transmit data but parity bit of receive data not checked (when SPCR.TXMD = 1). | R/W |
| b1 | SPOE | Parity Mode | 0: Select even parity for use in transmission and reception 1: Select odd parity for use in transmission and reception. | R/W |
| b2 | SPIIE | SPI Idle Interrupt Enable | 0: Idle interrupt requests disabled 1: Idle interrupt requests enabled. | R/W |

| Bit | Symbol | Bit name | Description | R/W |
|----------|--------|---------------------------------|------------------------------------------------------------------------------------------------------------------------|-----|
| b3 | PTE | Parity Self-Testing | 0: Self-diagnosis function of the parity circuit disabled 1: Self-diagnosis function of the parity circuit enabled. | R/W |
| b4 | SCKASE | RSPCK Auto-Stop Function Enable | 0: RSPCK auto-stop function disabled 1: RSPCK auto-stop function enabled. | R/W |
| b7 to b5 | — | Reserved | These bits are read as 0. The write value should be 0. | R/W |

If the SPPE, SPOE, or SCKASE bit in SPCR2 is changed while the SPCR.SPE bit is 1, do not perform subsequent operations.

SPPE bit (Parity Enable)

The SPPE bit enables or disables the parity function.

When the SPCR.TXMD bit is 0 and this bit is 1, the parity bit is added to transmit data and parity checking is performed for receive data. When the SPCR.TXMD bit is 1 and this bit is 1, the parity bit is added to transmit data, but parity checking is not performed for receive data.

SPOE bit (Parity Mode)

The SPOE bit specifies odd or even parity.

When even parity is set, parity bit addition is performed so that the total number of bits whose value is 1 in the transmit or receive character plus the parity bit is even. Similarly, when odd parity is set, parity bit addition is performed so that the total number of bits whose value is 1 in the transmit or receive character plus the parity bit is odd.

The SPOE bit is valid only when the SPPE bit is 1.

SPIIE bit (SPI Idle Interrupt Enable)

The SPIIE bit enables or disables the generation of SPI idle interrupt requests when an SPI idle state is detected and the SPSR.IDLNF flag is set to 0.

PTE bit (Parity Self-Testing)

The PTE bit enables the self-diagnosis function of the parity circuit to check whether the parity function is operating correctly.

SCKASE bit (RSPCK Auto-Stop Function Enable)

The SCKASE bit enables or disables the RSPCK auto-stop function. When this function is enabled, the RSPCK clock is stopped before an overrun error occurs when data is received in master mode. For details, see [section 31.3.8.1, Overrun errors](#).

31.2.12 SPI Command Register 0 (SPCMD0)

Address(es): SPI0.SPCMD0 4007 2010h, SPI1.SPCMD0 4007 2110h

| | b15 | b14 | b13 | b12 | b11 | b10 | b9 | b8 | b7 | b6 | b5 | b4 | b3 | b2 | b1 | b0 |
|--------------------|--------|---------|---------|------|----------|-----|----|----|-----------|----|----|-----------|----|------|------|----|
| | SCKDEN | SLNDE N | SPNDE N | LSBF | SPB[3:0] | | | — | SSLA[2:0] | | | BRDV[1:0] | | CPOL | CPHA | |
| Value after reset: | 0 | 0 | 0 | 0 | 0 | 1 | 1 | 1 | 0 | 0 | 0 | 0 | 1 | 1 | 0 | 1 |

| Bit | Symbol | Bit name | Description | R/W |
|-----|--------|------------------------|-------------------------------------------------------------------------------------------------------------------------------------------------|-----|
| b0 | CPHA | RSPCK Phase Setting | 0: Select data sampling on leading edge, data change on trailing edge 1: Select data change on leading edge, data sampling on trailing edge. | R/W |
| b1 | CPOL | RSPCK Polarity Setting | 0: Set RSPCK low when idle 1: Set RSPCK high when idle. | R/W |

| Bit | Symbol | Bit name | Description | R/W |
|-----------|-----------|-----------------------------------|---------------------------------------------------------------------------------------------------------------------------------------------------------------------------------------------------------------------------------------------------------------|-----|
| b3, b2 | BRDV[1:0] | Bit Rate Division Setting | b3 b2 0 0: Base bit rate 0 1: Base bit rate divided by 2 1 0: Base bit rate divided by 4 1 1: Base bit rate divided by 8. | R/W |
| b6 to b4 | SSLA[2:0] | SSL Signal Assertion Setting | b6 b4 0 0 0: SSL0 0 0 1: SSL1 0 1 0: SSL2 0 1 1: SSL3 1 x x: Setting prohibited x: Don't care. | R/W |
| b7 | — | Reserved | This bit is read as 0. The write value should be 0. | R/W |
| b11 to b8 | SPB[3:0] | SPI Data Length Setting | b11 b8 0100 to 0111: 8 bits 1 0 0 0: 9 bits 1 0 0 1: 10 bits 1 0 1 0: 11 bits 1 0 1 1: 12 bits 1 1 0 0: 13 bits 1 1 0 1: 14 bits 1 1 1 0: 15 bits 1 1 1 1: 16 bits 0 0 0 0: 20 bits 0 0 0 1: 24 bits 0010, 0011: 32 bits. | R/W |
| b12 | LSBF | SPI LSB First | 0: MSB-first 1: LSB-first. | R/W |
| b13 | SPNDEN | SPI Next-Access Delay Enable | 0: A next-access delay of 1 RSPCK + 2 PCLKA 1: A next-access delay equal to the setting of the SPI Next-Access Delay Register (SPND). | R/W |
| b14 | SLNDEN | SSL Negation Delay Setting Enable | 0: An SSL negation delay of 1 RSPCK 1: An SSL negation delay equal to the setting of the SPI Slave Select Negation Delay Register (SSLND). | R/W |
| b15 | SCKDEN | RSPCK Delay Setting Enable | 0: An RSPCK delay of 1 RSPCK 1: An RSPCK delay equal to the setting of the SPI Clock Delay Register (SPCKD). | R/W |

SPI has one SPI Command Register (SPCMD0). The SPCMD0 register sets the transfer format for the SPI in master mode. Some of the bits in the SPCMD0 register set the transfer mode for the SPI in slave mode. If the contents of the SPCMD0 register are changed while the SPCR.SPE bit is 1, do not perform subsequent operations.

CPHA bit (RSPCK Phase Setting)

The CPHA bit sets an RSPCK phase of the SPI in master mode or slave mode. Data communications between SPI modules require the same RSPCK phase setting between the modules.

CPOL bit (RSPCK Polarity Setting)

The CPOL bit sets an RSPCK polarity of the SPI in master mode or slave mode. Data communications between SPI modules require the same RSPCK polarity setting between the modules.

BRDV[1:0] bits (Bit Rate Division Setting)

The BRDV[1:0] bits determine the bit rate. A bit rate is determined by combination of the settings in the BRDV[1:0] bits and SPBR. See [section 31.2.6, SPI Bit Rate Register \(SPBR\)](#). The SPBR settings determine the base bit rate. The BRDV[1:0] settings select a bit rate obtained by dividing the base bit rate by 1, 2, 4, or 8. Different BRDV[1:0] bit settings can be specified, enabling the execution of serial transfers at a different bit rate for each command.

SSLA[2:0] bits (SSL Signal Assertion Setting)

The SSLA[2:0] bits control the SSL_{ni} signal assertion when the SPI performs serial transfers in master mode.

Setting the SSLA[2:0] bits controls the assertion for the SSL_{ni} signal. When an SSL_{ni} signal is asserted, its polarity is determined by the value set in the associated SSLP. When the SSLA[2:0] bits are set to 000b in multi-master mode, serial

transfers are performed with all the SSL signals in the negated state (as the SSLn0 pin acts as input).

When using the SPI in slave mode, set the SSLA[2:0] bits to 000b.

SPB[3:0] bits (SPI Data Length Setting)

The SPB[3:0] bits set a transfer data length for the SPI in master mode or slave mode.

When the SPLW bit is 0, set the SPI data length setting bits, SPCMDm.SPB[3:0], from 8 to 16 bits.

LSBF bit (SPI LSB First)

The LSBF bit sets the data format of the SPI in master mode or slave mode to MSB-first or LSB-first.

SPNDEN bit (SPI Next-Access Delay Enable)

The SPNDEN bit sets the period from the time the SPI in master mode terminates a serial transfer and sets the SSLni signal inactive until the SPI enables the SSLni signal assertion for the next access (next-access delay). If the SPNDEN bit is 0, the SPI sets the next-access delay to 1 RSPCK + 2 PCLKA. If the SPNDEN bit is 1, the SPI inserts the next-access delay in accordance with the SPND setting.

When using the SPI in slave mode, set the SPNDEN bit to 0.

SLNDEN bit (SSL Negation Delay Setting Enable)

The SLNDEN bit sets the period from the time the SPI in master mode stops RSPCK oscillation until the SPI sets the SSLni signal inactive (SSL negation delay). If the SLNDEN bit is 0, the SPI sets the SSL negation delay to 1 RSPCK. If the SLNDEN bit is 1, the SPI negates the SSL signal at an SSL negation delay according to the SSLND setting.

When using the SPI in slave mode, set the SLNDEN bit to 0.

SCKDEN bit (RSPCK Delay Setting Enable)

The SCKDEN bit sets the period from the point when the SPI in master mode activates the SSLni signal until the RSPCK starts oscillation (SPI clock delay). If the SCKDEN bit is 0, the SPI sets the RSPCK delay to 1 RSPCK. If the SCKDEN bit is 1, the SPI starts the oscillation of RSPCK at an RSPCK delay according to the SPCKD setting.

When using the SPI in slave mode, set the SCKDEN bit to 0.

31.3 Operation

In this section, the serial transfer period means a period from the beginning of driving valid data to the fetching of the final valid data.

31.3.1 Overview of SPI Operations

The SPI is capable of synchronous serial transfers in the following modes:

- Slave mode (SPI operation)
- Single-master mode (SPI operation)
- Multi-master mode (SPI operation)
- Slave mode (clock synchronous operation)
- Master mode (clock synchronous operation).

The SPI mode can be selected with the MSTR, MODFEN, and SPMS bits in SPCR. [Table 31.4](#) lists the relationship between SPI modes and SPCR settings, and a description of each mode.

Table 31.4 Relationship between SPCR settings and SPI modes (1 of 2)

| Mode | Slave (SPI operation) | Single-master (SPI operation) | Multi-master (SPI operation) | Slave (clock synchronous operation) | Master (clock synchronous operation) |
|--------------------|-----------------------|-------------------------------|------------------------------|-------------------------------------|--------------------------------------|
| MSTR bit setting | 0 | 1 | 1 | 0 | 1 |
| MODFEN bit setting | 0 or 1 | 0 | 1 | 0 | 0 |

Table 31.4 Relationship between SPCR settings and SPI modes (2 of 2)

| Mode | Slave (SPI operation) | Single-master (SPI operation) | Multi-master (SPI operation) | Slave (clock synchronous operation) | Master (clock synchronous operation) |
|---------------------------------|---------------------------------------|-------------------------------------------------------------------------------------------------------|-------------------------------------------------------------------------------------------------------|-------------------------------------|-------------------------------------------------------------------------------------------------------|
| SPMS bit setting | 0 | 0 | 0 | 1 | 1 |
| RSPCKn signal | Input | Output | Output/Hi-Z | Input | Output |
| MOSIn signal | Input | Output | Output/Hi-Z | Input | Output |
| MISOIn signal | Output/Hi-Z | Input | Input | Output | Input |
| SSLn0 signal | Input | Output | Input | Hi-Z*1 | Hi-Z*1 |
| SSLn1 to SSLn3 signals | Hi-Z*1 | Output | Output/Hi-Z | Hi-Z*1 | Hi-Z*1 |
| SSL polarity change function | Supported | Supported | Supported | - | - |
| Transfer rate | Up to PCLKA/6 | Up to PCLKA/2 | Up to PCLKA/2 | Up to PCLKA/6 | Up to PCLKA/2 |
| Clock source | RSPCKn input | On-chip baud rate generator | On-chip baud rate generator | RSPCKn input | On-chip baud rate generator |
| Clock polarity | Two | | | | |
| Clock phase | Two | Two | Two | One (CPHA = 1) | Two |
| First transfer bit | MSB/LSB | | | | |
| Transfer data length | 8 to 16, 20, 24, 32 bits | | | | |
| RSPCK delay control | Not supported | Supported | Supported | Not supported | Supported |
| SSL negation delay control | Not supported | Supported | Supported | Not supported | Supported |
| Next-access delay control | Not supported | Supported | Supported | Not supported | Supported |
| Transfer activation method | SSL input active or RSPCK oscillation | Transmit buffer is written to on generation of a transmit buffer empty interrupt request (SPTEF is 1) | Transmit buffer is written to on generation of a transmit buffer empty interrupt request (SPTEF is 1) | RSPCK oscillation | Transmit buffer is written to on generation of a transmit buffer empty interrupt request (SPTEF is 1) |
| Transmit buffer empty detection | Supported | | | | |
| Receive buffer full detection | Supported*2 | | | | |
| Overrun error detection | Supported*2 | Supported*2, *4 | Supported*2, *4 | Supported*2 | Supported*2 |
| Parity error detection | Supported*2,*3 | | | | |
| Mode fault error detection | Supported (MODFEN = 1) | Not supported | Supported | Not supported | Not supported |
| Underrun error detection | Supported | Not supported | Not supported | Supported | Not supported |

Note 1. This function is not supported in this mode.

Note 2. When the SPCR.TXMD bit is 1, receiver buffer full detection, overrun error detection, and parity error detection are not performed.

Note 3. When the SPCR2.SPPE bit is 0, parity error detection is not performed.

Note 4. When the SPCR2.SCKASE bit is 1, overrun error detection does not proceed.

31.3.2 Controlling the SPI Pins

The SPI can switch pin states based on the MSTR, MODFEN, and SPMS bit settings in SPCR and the PmnPFS.NCODR bit for I/O Ports. [Table 31.5](#) lists the relationship between the pin states and bit settings. Setting the PmnPFS.NCODR bit for an I/O port to 0 selects CMOS output, setting it to 1 selects open-drain output. The I/O port settings must follow this relationship.

Table 31.5 Relationship between pin states and bit settings

| Mode | Pin | Pin state*2 | |
|----------------------------------------------------------------------------------|----------------------|------------------------------------|------------------------------------|
| | | PmnPFS.NCODR bit for I/O Ports = 0 | PmnPFS.NCODR bit for I/O Ports = 1 |
| Single-master mode (SPI operation) (MSTR = 1, MODFEN = 0, SPMS = 0) | RSPCKn | CMOS output | Open-drain output |
| | SSLn0 to SSLn3 | CMOS output | Open-drain output |
| | MOSIn | CMOS output | Open-drain output |
| | MISO _n | Input | Input |
| Multi-master mode (SPI operation) (MSTR = 1, MODFEN = 1, SPMS = 0) | RSPCKn*3 | CMOS output/Hi-Z | Open-drain output/Hi-Z |
| | SSLn0 | Input | Input |
| | SSLn1 to SSLn3*3 | CMOS output/Hi-Z | Open-drain output/Hi-Z |
| | MOSIn*3 | CMOS output/Hi-Z | Open-drain output/Hi-Z |
| | MISO _n | Input | Input |
| Slave mode (SPI operation) (MSTR = 0, SPMS = 0) | RSPCKn | Input | Input |
| | SSLn0 | Input | Input |
| | SSLn1 to SSLn3*5 | Hi-Z*1 | Hi-Z*1 |
| | MOSIn | Input | Input |
| | MISO _n *4 | CMOS output/Hi-Z | Open-drain output/Hi-Z |
| Master mode (Clock synchronous operation) (MSTR = 1, MODFEN = 0, SPMS = 1) | RSPCKn | CMOS output | Open-drain output |
| | SSLn0 to SSLn3*5 | Hi-Z*1 | Hi-Z*1 |
| | MOSIn | CMOS output | Open-drain output |
| | MISO _n | Input | Input |
| Slave mode (Clock synchronous operation) (MSTR = 0, SPMS = 1) | RSPCKn | Input | Input |
| | SSLn0 to SSLn3*5 | Hi-Z*1 | Hi-Z*1 |
| | MOSIn | Input | Input |
| | MISO _n | CMOS output | Open-drain output |

Note 1. This function is not supported in this mode.

Note 2. SPI settings are not reflected in the multiplex pins for which the SPI function is not selected.

Note 3. When SSLn0 is at the active level, the pin state is Hi-Z.

Note 4. When SSLn0 is at the non-active level or the SPCR.SPE bit is 0, the pin state is Hi-Z.

Note 5. These pins are available for use as I/O port pins.

The SPI in single-master mode (SPI operation) or multi-master mode (SPI operation) determines the MOSI signal values during the SSL negation period based on the MOIFE and MOIFV bit settings in SPPCR, as listed in [Table 31.6](#).

Table 31.6 MOSI signal value determination during SSL negation period

| MOIFE bit | MOIFV bit | MOSIn signal value during SSL negation period |
|-----------|-----------|-----------------------------------------------|
| 0 | 0, 1 | Final data from previous transfer |
| 1 | 0 | Low |
| 1 | 1 | High |

31.3.3 SPI System Configuration Examples

31.3.3.1 Single master and single slave with the MCU configured as a master

[Figure 31.5](#) shows a single-master/single-slave SPI system configuration example where the MCU is used as a master. In the single-master and single-slave configuration, the SSLn0 to SSLn3 outputs of the MCU (master) are not used. The SSL input of the SPI slave is fixed to the low level, and the SPI slave stays selected.*1

The MCU (master) drives the RSPCKn and MOSIn. The SPI slave drives the MISO.

Note 1. In the transfer format configured when the SPCMD0.CPHA bit is 0, the SSL signal for some slave devices cannot be fixed to an active level. In this case, always connect the SSLn_i output of the MCU to the SSL input of the slave device.

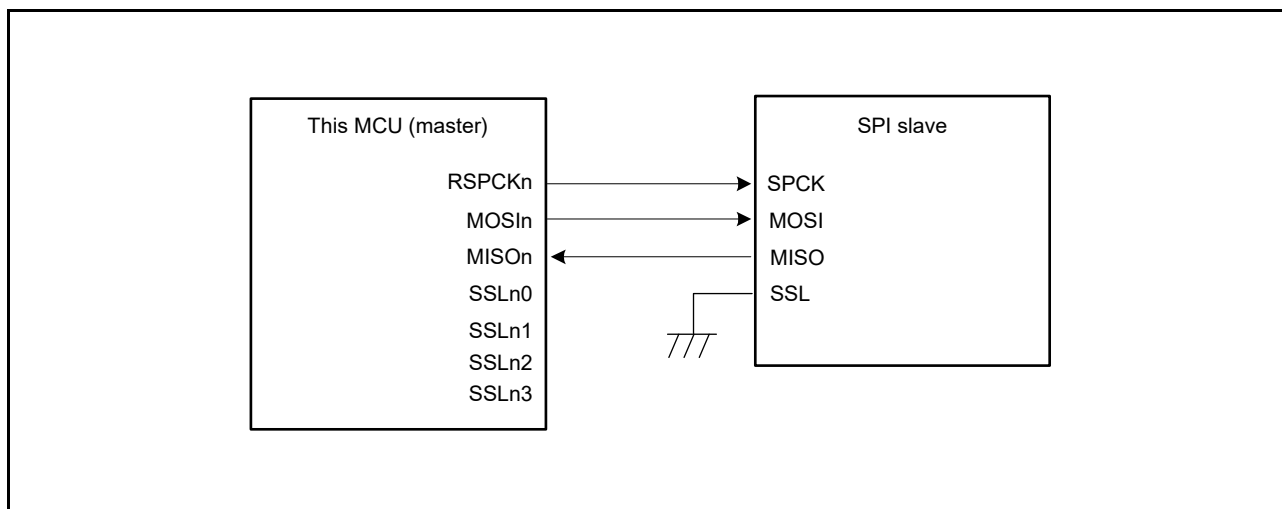


Figure 31.5 Single-master/single-slave configuration example with the MCU as the master

31.3.3.2 Single master and single slave with the MCU configured as a slave

Figure 31.6 shows a single-master and single-slave SPI system configuration example where the MCU is a slave. When the MCU operates as a slave, the SSLn₀ pin is used as SSL input. The SPI master drives the SPCK and MOSI. The MCU (slave) drives the MISO.^{*1}

In the single-slave configuration in which the SPCMD0.CPHA bit is set to 1, the SSLn₀ input of the MCU (slave) is fixed to the low level, the MCU (slave) stays selected. This enables serial transfer (Figure 31.7).

Note 1. When SSLn₀ is at a non-active level, the pin state is Hi-Z.

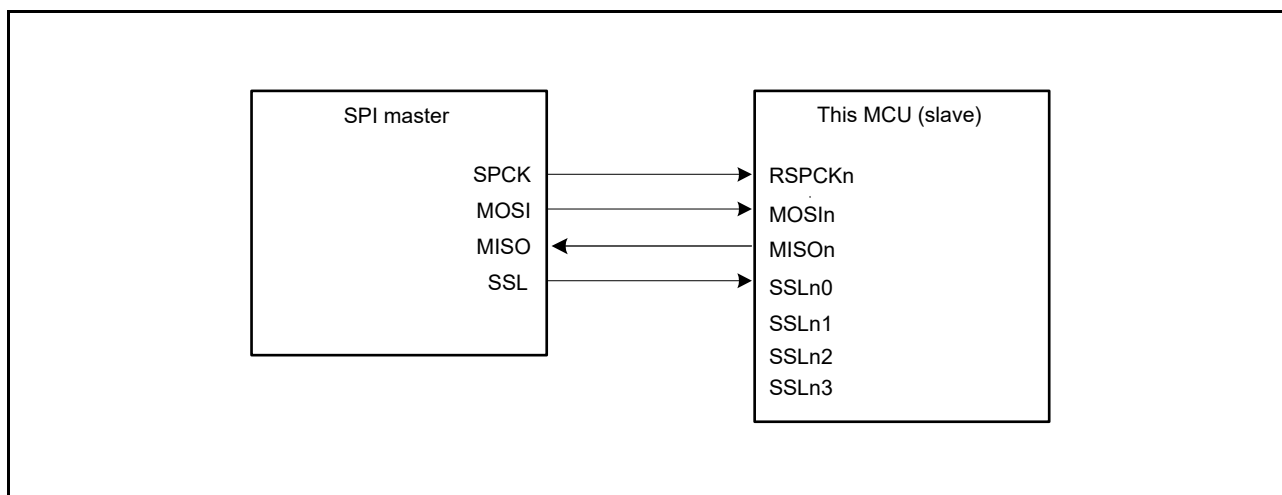


Figure 31.6 Single-master and single-slave configuration example with the MCU as a slave and CPHA = 0

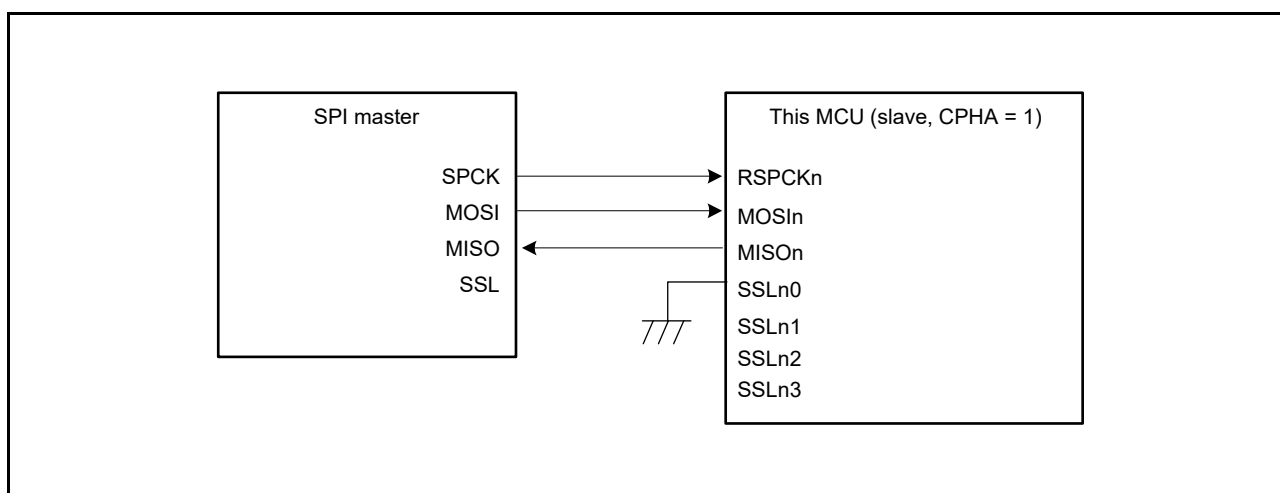


Figure 31.7 Single-master and single-slave configuration example with the MCU as a slave and CPHA = 1

31.3.3.3 Single master and multi-slave with the MCU configured as a master

Figure 31.8 shows a single-master and multi-slave SPI system configuration example where the MCU is a master. In the example shown in Figure 31.8, the SPI system includes the MCU (master) and four slaves (SPI slave 0 to SPI slave 3).

The RSPCKn and MOSIn outputs of the MCU (master) are connected to the SPCK and MOSI inputs of SPI slave 0 to SPI slave 3. The MISO outputs of SPI slave 0 to SPI slave 3 are all connected to the MISO_n input of the MCU (master). SSLn0 to SSLn3 outputs of the MCU (master) are connected to the SSL inputs of SPI slave 0 to SPI slave 3, respectively.

The MCU (master) drives RSPCKn, MOSIn, and SSLn0 to SSLn3 pins. Of the SPI slave 0 to SPI slave 3, the slave that receives low-level input into the SSL input drives MISO.

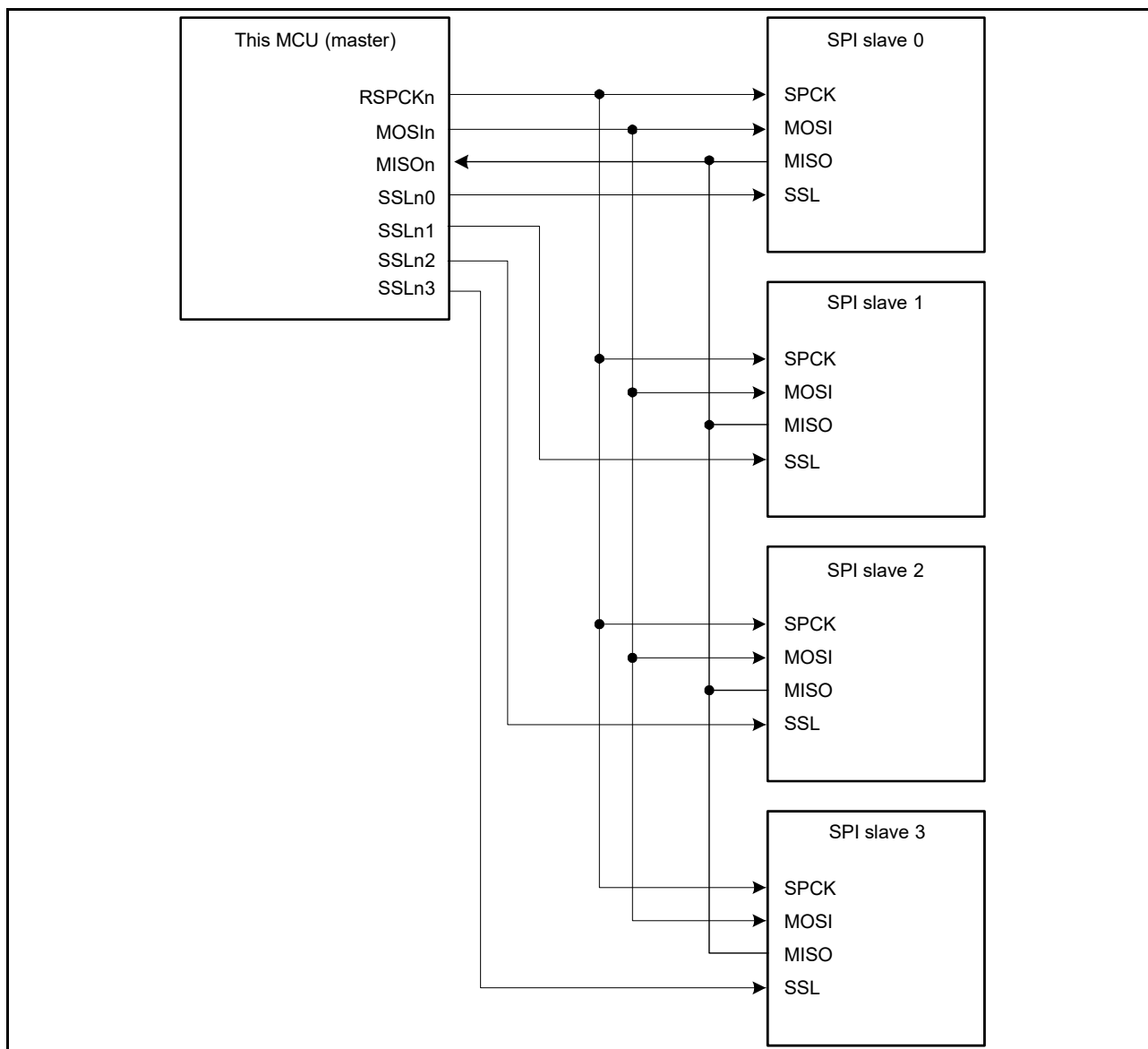


Figure 31.8 Single-master and multi-slave configuration example with the MCU as the master

31.3.3.4 Single master and multi-slave with the MCU configured as a slave

Figure 31.9 shows a single-master and multi-slave SPI system configuration example where the MCU is a slave. In the example shown in Figure 31.9, the SPI system includes an SPI master and two MCUs (slave X and slave Y).

The SPCK and MOSI outputs of the SPI master are connected to the RSPCKn and MOSIn inputs of the MCUs (slave X and slave Y). The MISO outputs of the MCUs (slave X and slave Y) are all connected to the MISO input of the SPI master. SSLX and SSLY outputs of the SPI master are connected to the SSLn0 inputs of the MCUs (slave X and slave Y), respectively.

The SPI master drives SPCK, MOSI, SSLX, and SSLY. The MCU slave (X or Y) that receives low-level input into the SSLn0 input drives the MISO signal.

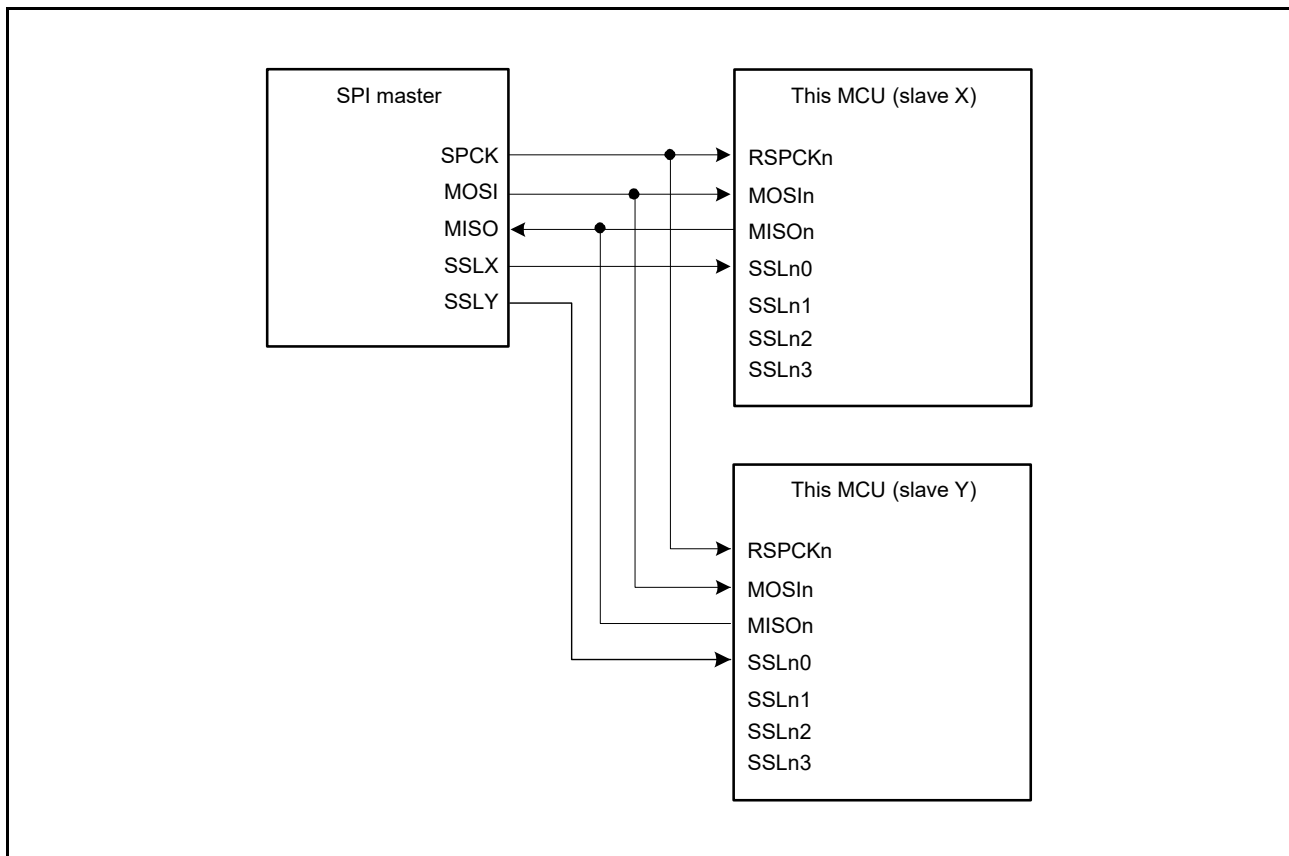


Figure 31.9 Single-master and multi-slave configuration example with the MCU as a slave

31.3.3.5 Multi-master and multi-slave with the MCU configured as a master

Figure 31.10 shows a multi-master/multi-slave SPI system configuration example where the MCU is a master. In the example shown in Figure 31.10, the SPI system includes two MCUs (master X and master Y) and two SPI slaves (SPI slave 1 and SPI slave 2).

The RSPCKn and MOSIn outputs of the MCUs (master X and master Y) are connected to the RSPCK and MOSI inputs of SPI slaves 1 and 2. The MISO outputs of SPI slaves 1 and 2 are connected to the MISO inputs of the MCUs (master X and master Y). Any generic port Y output from the MCU (master X) is connected to the SSLn0 input of the MCU (master Y). Any generic port X output of the MCU (master Y) is connected to the SSLn0 input of the MCU (master X). The SSLn1 and SSLn2 outputs of the MCUs (master X and master Y) are connected to the SSL inputs of the SPI slaves 1 and 2. In this configuration example, because the system can be comprised solely of SSLn0 input, and SSLn1 and SSLn2 outputs for slave connections, the SSLn3 output of the MCU is not required.

The MCU drives RSPCKn, MOSIn, SSLn1, and SSLn2 when the SSLn0 input level is high. When the SSLn0 input level is low, the MCU detects a mode fault error, sets RSPCKn, MOSIn, SSLn1, and SSLn2 to Hi-Z, and releases the SPI bus right to the other master. Of the SPI slaves 1 and 2, the slave that receives low-level input into the SSL input drives the MISO signal.

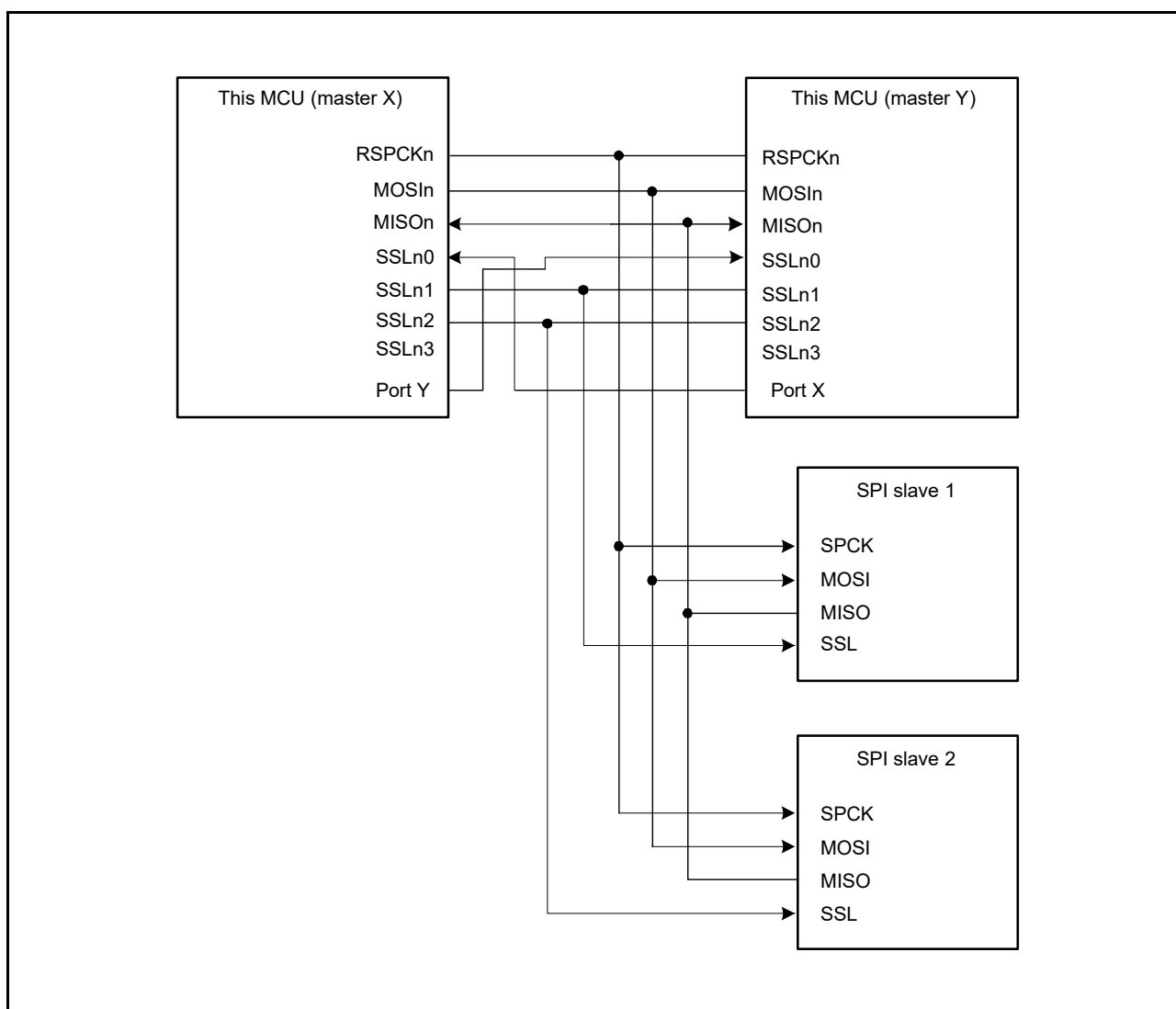


Figure 31.10 Multi-master and multi-slave configuration example with the MCU as a master

31.3.3.6 Clock synchronous master/slave configuration with the MCU configured as a master

Figure 31.11 shows a master and slave in clock synchronous mode configuration where the MCU is a master. In the master and slave clock synchronous mode configuration, SSLn0 to SSLn3 of the MCU (master) are not used.

The MCU (master) drives the RSPCKn and MOSIn signals. The SPI slave drives the MISO signal.

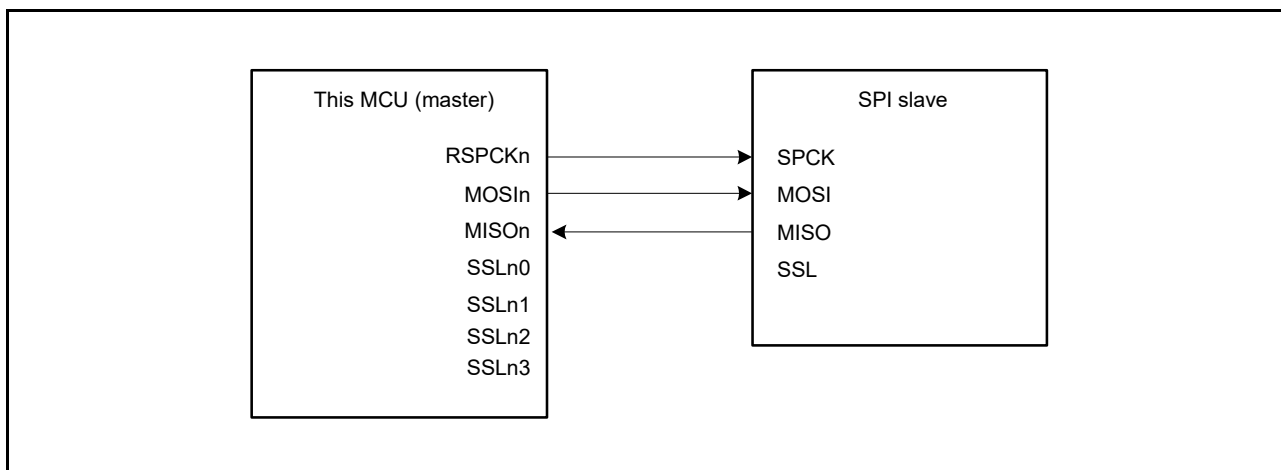


Figure 31.11 Configuration example of master and slave in clock synchronous mode with the MCU as a master

31.3.3.7 Master and slave in clock synchronous mode with the MCU configured as a slave

Figure 31.12 shows a master and slave in clock synchronous mode configuration where the MCU is a slave. When the MCU operates as a slave in clock synchronous mode, the MCU (slave) drives the MISO n signal and the SPI master drives the SPCK and MOSI signals. The SSLn0 to SSLn3 of the MCU (slave) are not used.

The MCU (slave) can only execute serial transfer in the single-slave configuration when SPCMD0.CPHA is set to 1.

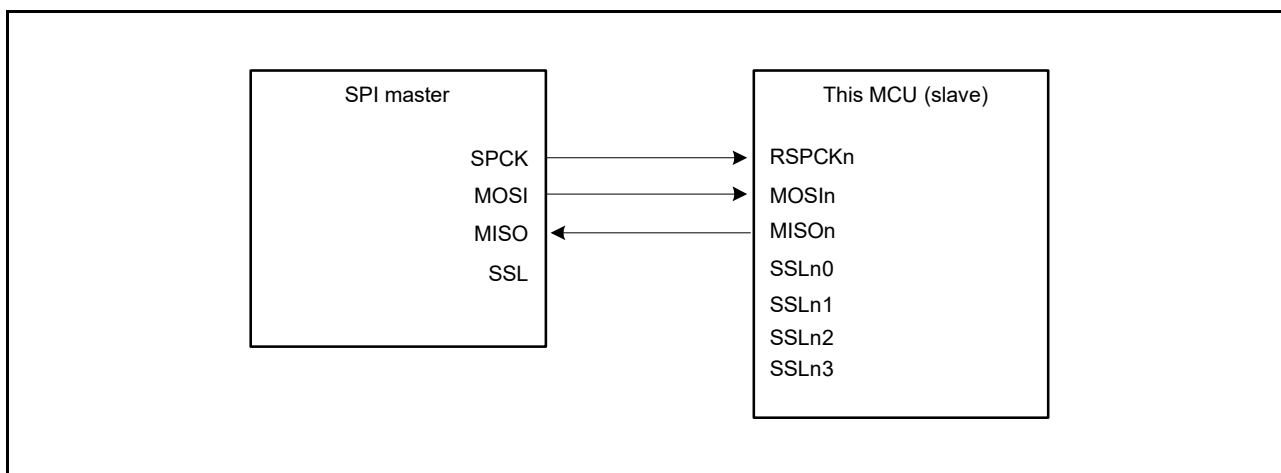


Figure 31.12 Configuration example of master and slave in clock synchronous mode with the MCU as a slave and CPHA = 1

31.3.4 Data Format

The data format of the SPI depends on the settings in the SPI Command Register 0 (SPCMD0) and the parity enable bit, SPPE, in the SPI Control Register 2 (SPCR2). Regardless of whether the MSB- or LSB-first, the SPI treats the range from the LSB bit in the SPI Data Register (SPDR/SPDR_HA) to the bit associated with the selected data length, as transfer data.

This section shows the format of one frame of data before or after transfer.

(a) Data format with parity disabled

When parity is disabled, transmission or reception of data proceeds with the bit-length selected in the SPI data length setting bits in the SPI Command Register 0 (SPCMD0.SPB[3:0]).

(b) Data format with parity enabled

When parity is enabled, transmission or reception of data proceeds with the bit-length selected in the SPI data length setting bits in the SPI Command Register 0 (SPCMD0.SPB[3:0]). In this case, however, the last bit is a parity bit.

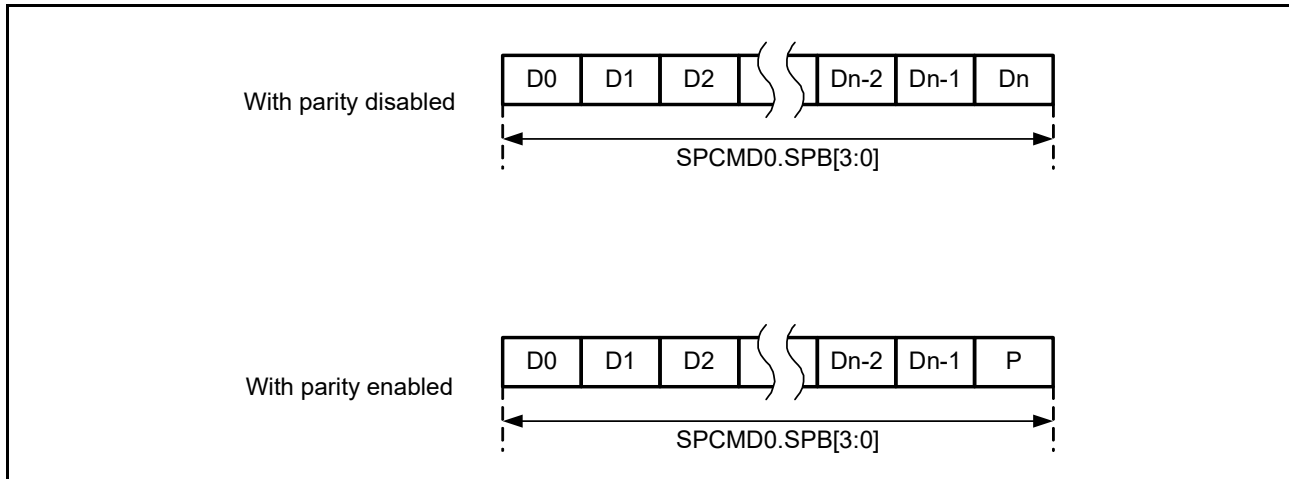


Figure 31.13 Data format with parity disabled and enabled

31.3.4.1 Operation when parity is disabled (SPCR2.SPPE = 0)

When parity is disabled, data for transmission is copied to the shift register with no prior processing. This section describes the connection between the SPI Data Register (SPDR/SPDR_HA) and the shift register in terms of the combination of MSB- or LSB-first order and data length.

(1) MSB-first transfer with 32-bit data

Figure 31.14 shows the operation of the SPI Data Register (SPDR) and the shift register in a transfer with parity disabled, an SPI data length of 32 bits, and MSB-first selected.

In transmission, bits T31 to T00 from the current stage of the transmit buffer are copied to the shift register. Data for transmission is shifted out from the shift register from T31, through T30, and continuing to T00.

In reception, received data is shifted in bit by bit through bit [0] of the shift register. When the R31 to R00 bits are collected after input of the required number of RSPCK cycles, the value in the shift register is copied to the receive buffer.

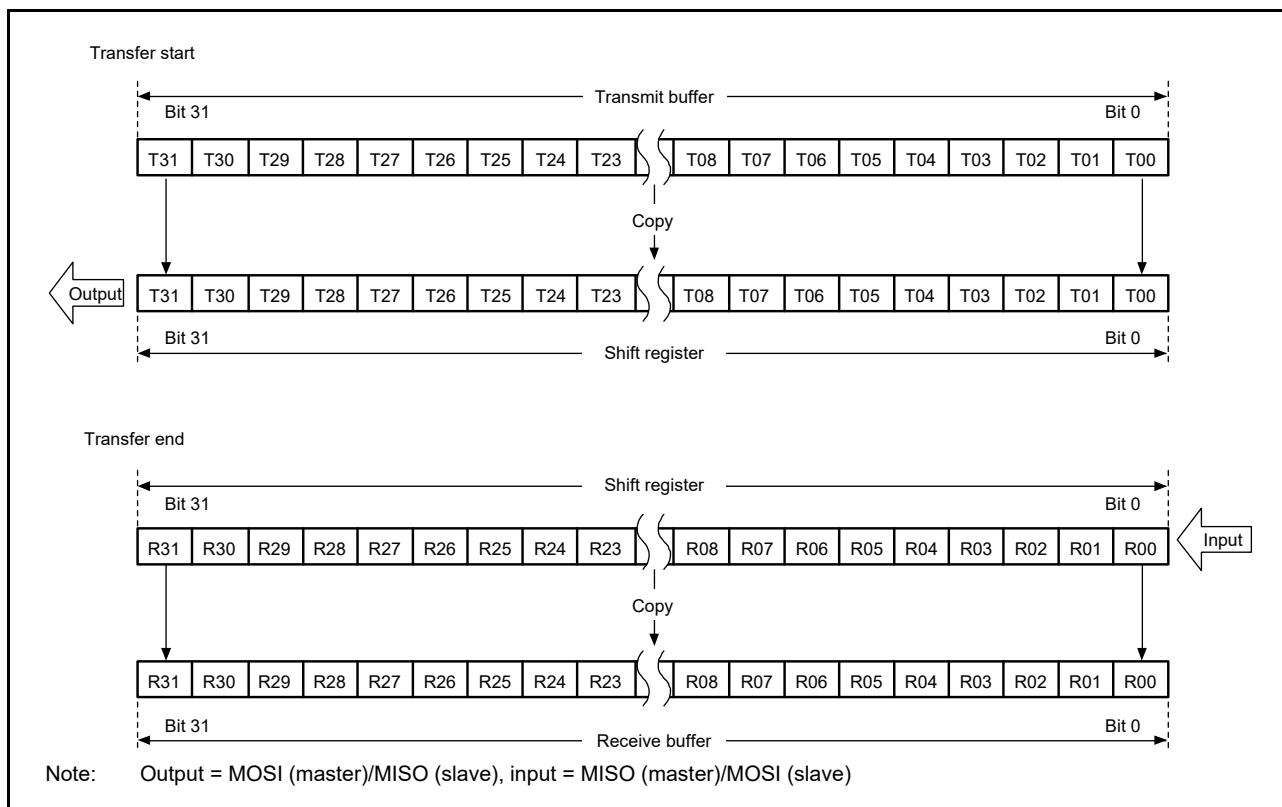


Figure 31.14 MSB-first transfer with 32-bit data and parity disabled

(2) MSB-first transfer with 24-bit data

Figure 31.15 shows the operation of the SPI data register (SPDR) and the shift register in a transfer with parity disabled, an SPI data length of 24 bits for an example that is not 32 bits, and MSB-first selected.

In transmission, the lower 24 bits (T23 to T00) from the current stage of the transmit buffer are copied to the shift register. Data for transmission is shifted out from the shift register from T23 to T22, and continuing to T00.

In reception, received data is shifted in bit by bit through bit [0] of the shift register. When bits R23 to R00 are collected after input of the required number of RSPCK cycles, the value in the shift register is copied to the receive buffer. The upper 8 bits of the transmit buffer are stored in the upper 8 bits of the receive buffer. Writing 0 to bits T31 to T24 during transmission results in 0 being inserted in the upper 8 bits of the receive buffer.

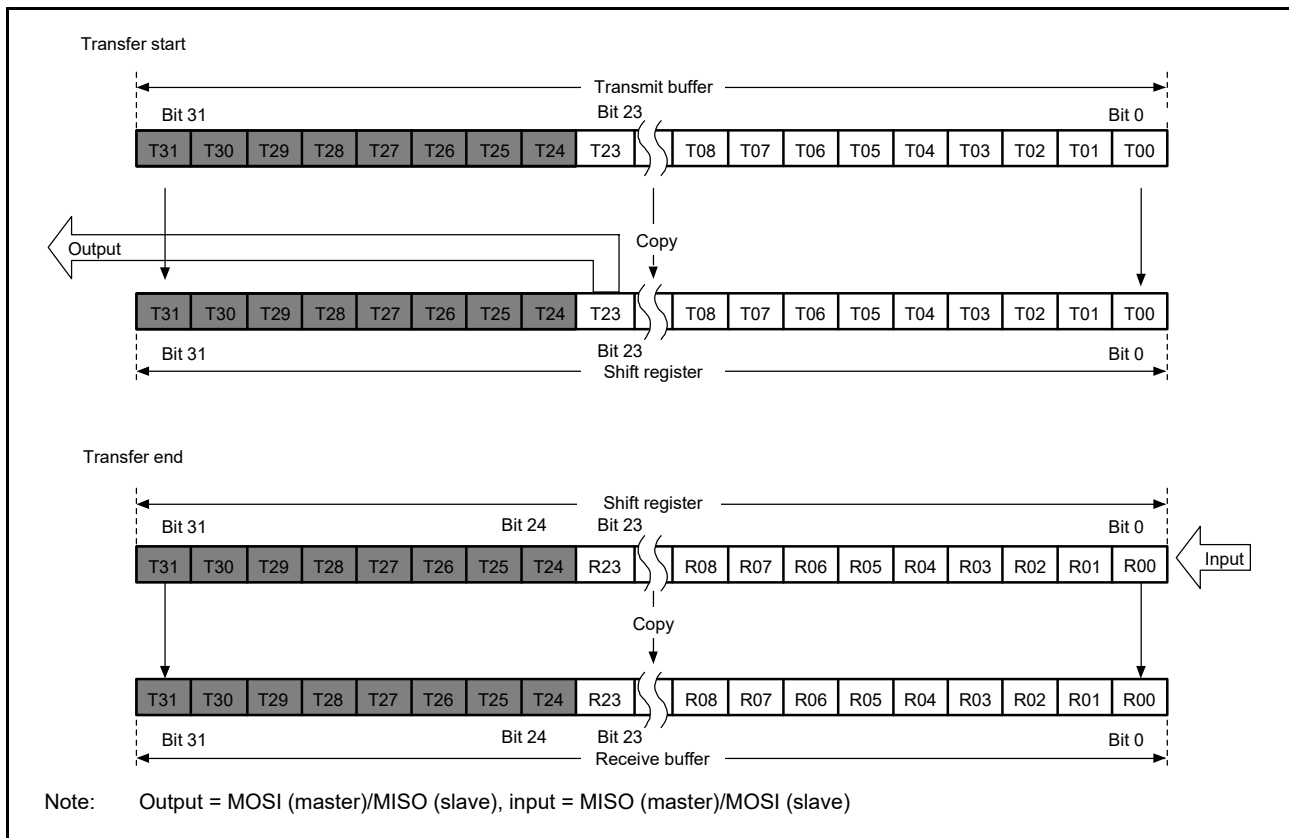


Figure 31.15 MSB-first transfer with 24-bit data and parity disabled

(3) LSB-first transfer with 32-bit data

Figure 31.16 shows the operation of the SPI Data Register (SPDR) and the shift register in a transfer with parity disabled, an SPI data length of 32 bits, and LSB-first selected.

In transmission, bits T31 to T00 from the current stage of the transmit buffer are reordered bit by bit to obtain the order T00 to T31 for copying to the shift register. Data for transmission is shifted out from the shift register from T00 to T01, and continuing to T31.

In reception, received data is shifted in bit by bit through bit [0] of the shift register. When bits R00 to R31 are collected after input of the required number of RSPCK cycles, the value in the shift register is copied to the receive buffer.

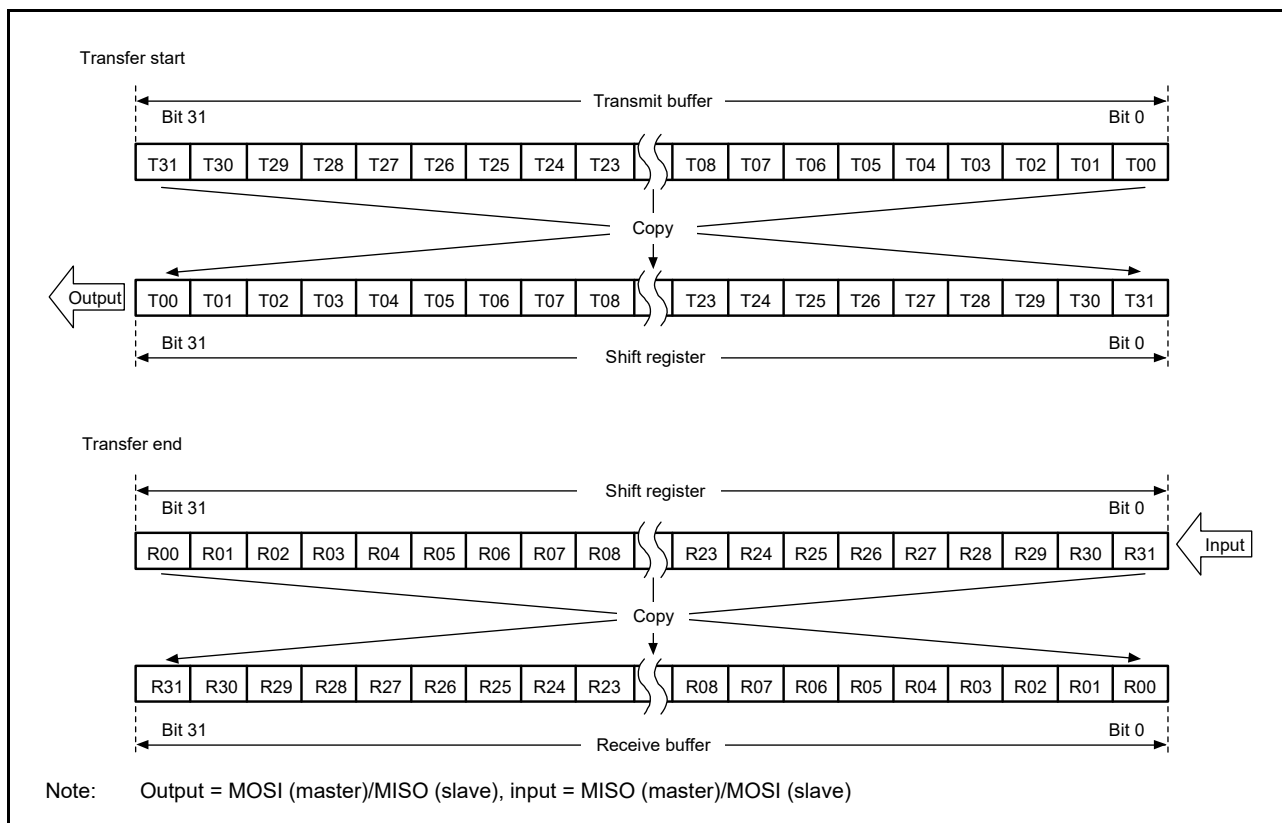


Figure 31.16 LSB-first transfer with 32-bit data and parity disabled

(4) LSB-first transfer with 24-bit data

Figure 31.17 shows the operation of the SPI data register (SPDR) and the shift register in a transfer with parity disabled, 24 bits as the SPI data length for an example that is not 32 bits, and LSB-first selected.

In transmission, the lower-order 24 bits (T23 to T00) from the current stage of the transmit buffer are reordered bit by bit to obtain the order T00 to T23 for copying to the shift register. Data for transmission is shifted out from the shift register in order from T00, through T01, and so on to T23.

In reception, received data is shifted in bit by bit through bit [8] of the shift register. When bits R00 to R23 are collected after input of the required number of RSPCK cycles, the value in the shift register is copied to the receive buffer.

The upper 8 bits of the transmit buffer are stored in the upper 8 bits of the receive buffer. Writing 0 to bits T31 to T24 during transmission results in 0 being inserted in the upper 8 bits of the receive buffer.

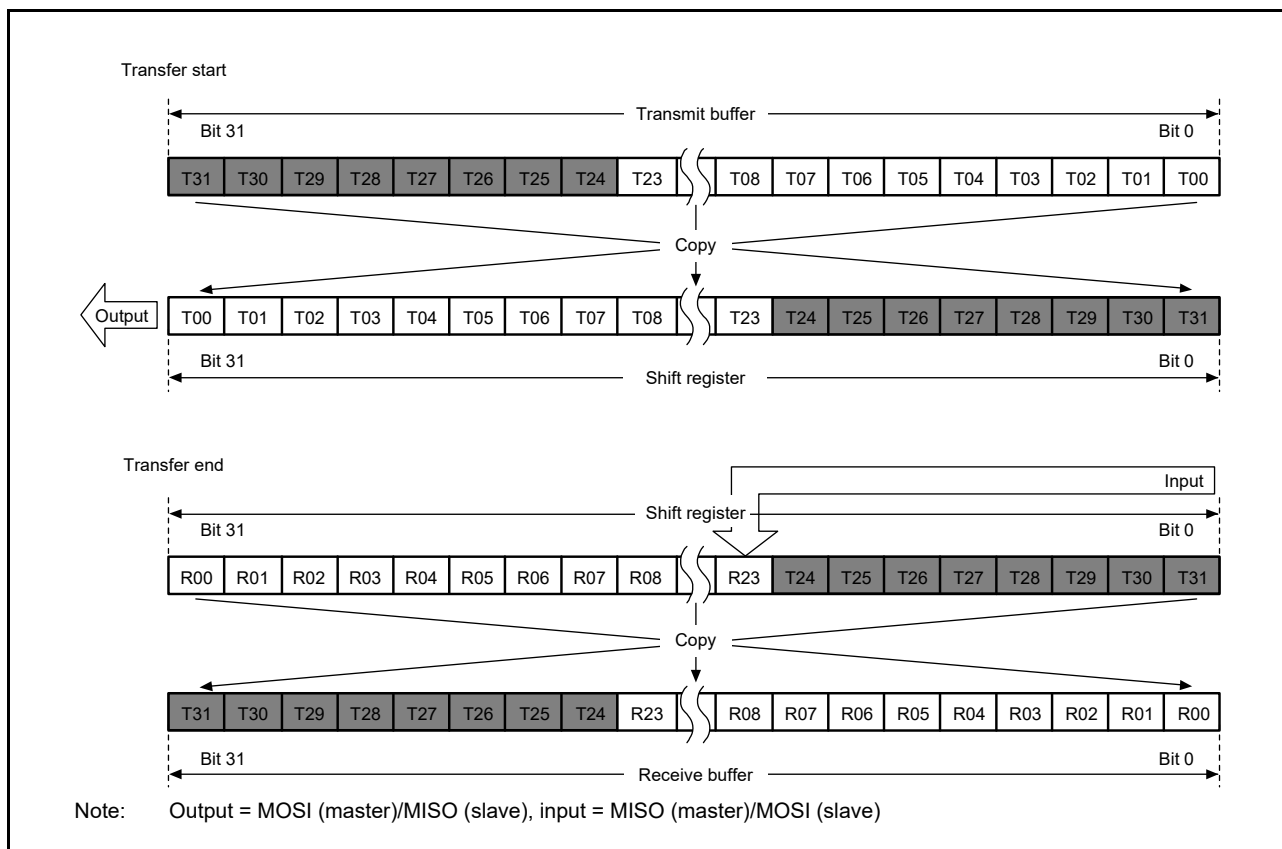


Figure 31.17 LSB-first transfer with 24-bit data and parity disabled

31.3.4.2 When parity is enabled (SPCR2.SPPE = 1)

When parity is enabled, the lowest-order bit of the data for transmission becomes a parity bit. Hardware calculates the value of the parity bit.

(1) MSB-first transfer with 32-bit data

Figure 31.18 shows the operation of the SPI data register (SPDR) and the shift register in a transfer with parity enabled, an SPI data length of 32 bits, and MSB-first selected.

In transmission, the value of the parity bit (P) is calculated from bits T31 to T01. This replaces the final bit, T00, and the whole value is copied to the shift register. Data is transmitted from T31, T30, ..., T01, and P.

In reception, received data is shifted in bit by bit through bit [0] of the shift register. When bits R31 to P are collected after input of the required number of RSPCK cycles, the value in the shift register is copied to the receive buffer. After data is copied to the shift register, the data from R31 to P is checked for parity.

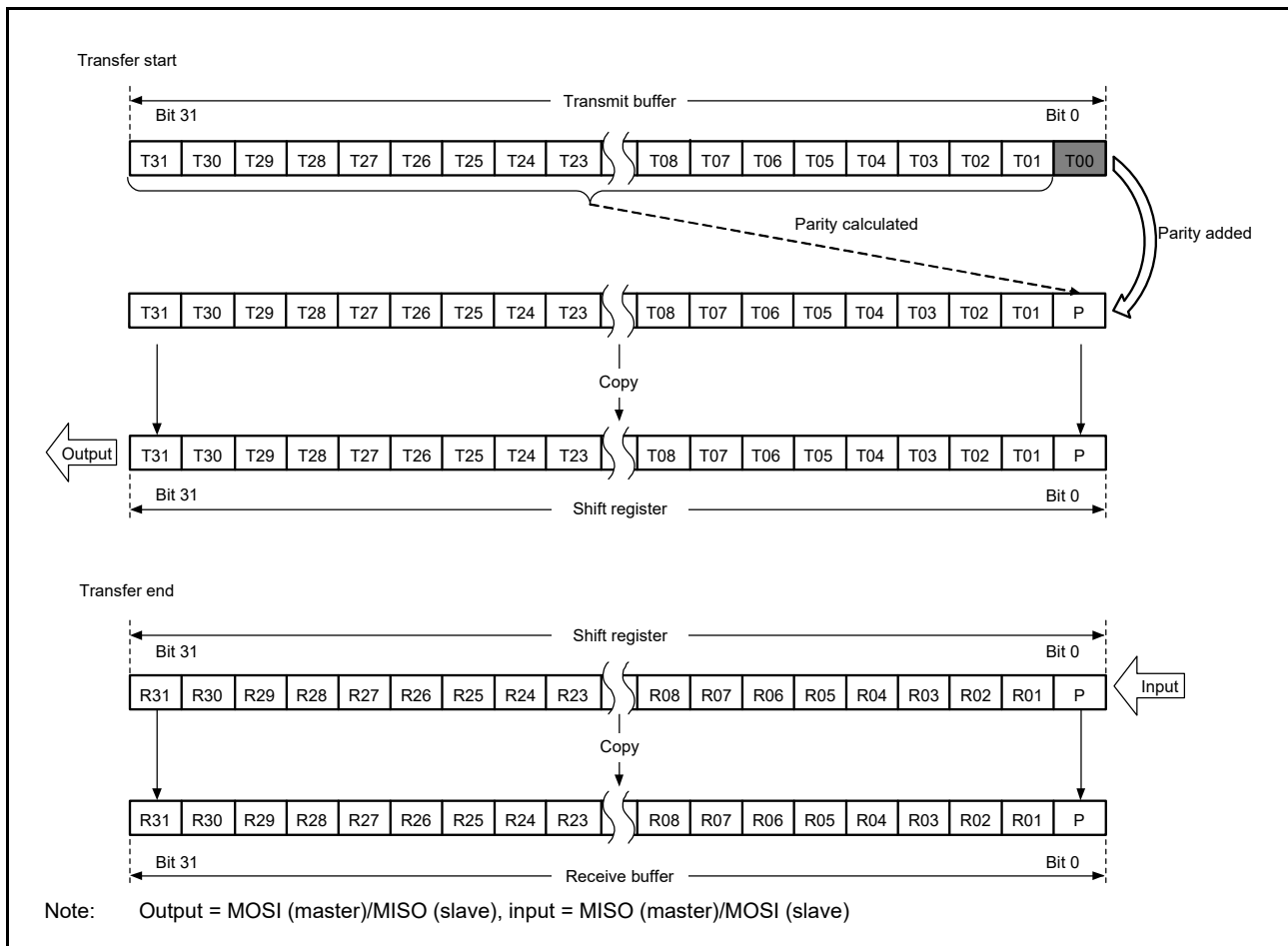


Figure 31.18 MSB-first transfer with 32-bit data and parity enabled

(2) MSB-first transfer with 24-bit data

Figure 31.19 shows the operation of the SPI data register (SPDR) and the shift register in a transfer with parity enabled, an SPI data length of 24 bits for an example that is not 32 bits, and MSB-first selected.

In transmission, the value of the parity bit (P) is calculated from bits T23 to T01. This replaces the final bit, T00, and the whole value is copied to the shift register. Data is transmitted in the order T23, T22, ..., T01, and P.

In reception, received data is shifted in bit by bit through bit [0] of the shift register. When bits R23 to P are collected after input of the required number of RSPCK cycles, the value in the shift register is copied to the receive buffer. After data is copied to the shift register, the data from R23 to P is checked for parity. The upper 8 bits of the transmit buffer are stored in the upper 8 bits of the receive buffer. Writing 0 to bits T31 to T24 during transmission results in 0 being inserted in the upper 8 bits of the receive buffer.

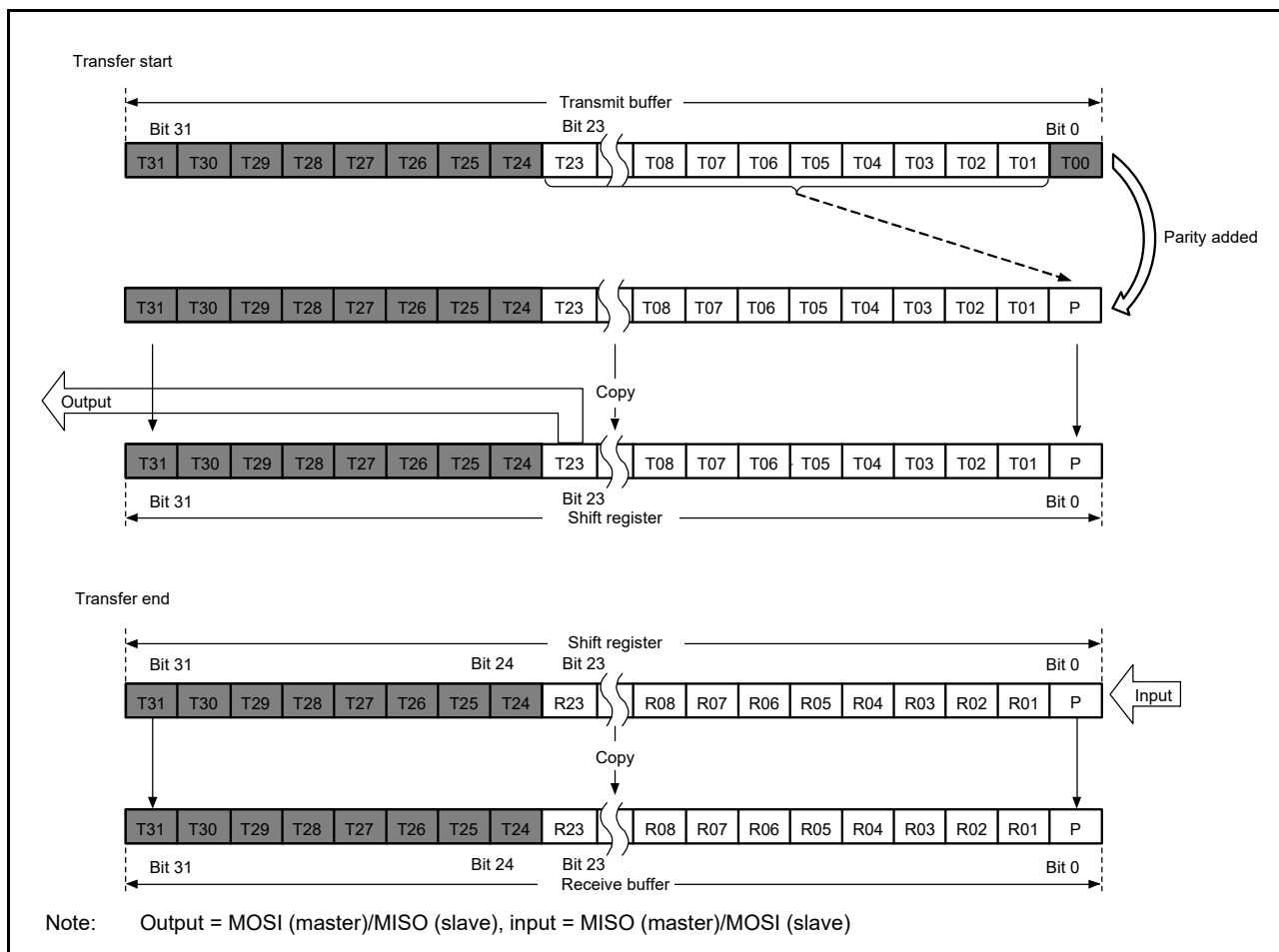


Figure 31.19 MSB-first transfer with 24-bit data and parity enabled

(3) LSB-first transfer with 32-bit data

Figure 31.20 shows the operation the SPI Data Register (SPDR) and the shift register in a transfer with parity enabled, an SPI data length of 32 bits, and LSB-first selected.

In transmission, the value of the parity bit (P) is calculated from bits T30 to T00. This replaces the final bit, T31, and the whole value is copied to the shift register. Data are transmitted in the order T00, T01, ..., T30, and P.

In reception, received data is shifted in bit by bit through bit 0 of the shift register. When bits R00 to P are collected after input of the required number of RSPCK cycles, the value in the shift register is copied to the receive buffer. After data is copied to the shift register, the data from R00 to P is checked for parity.

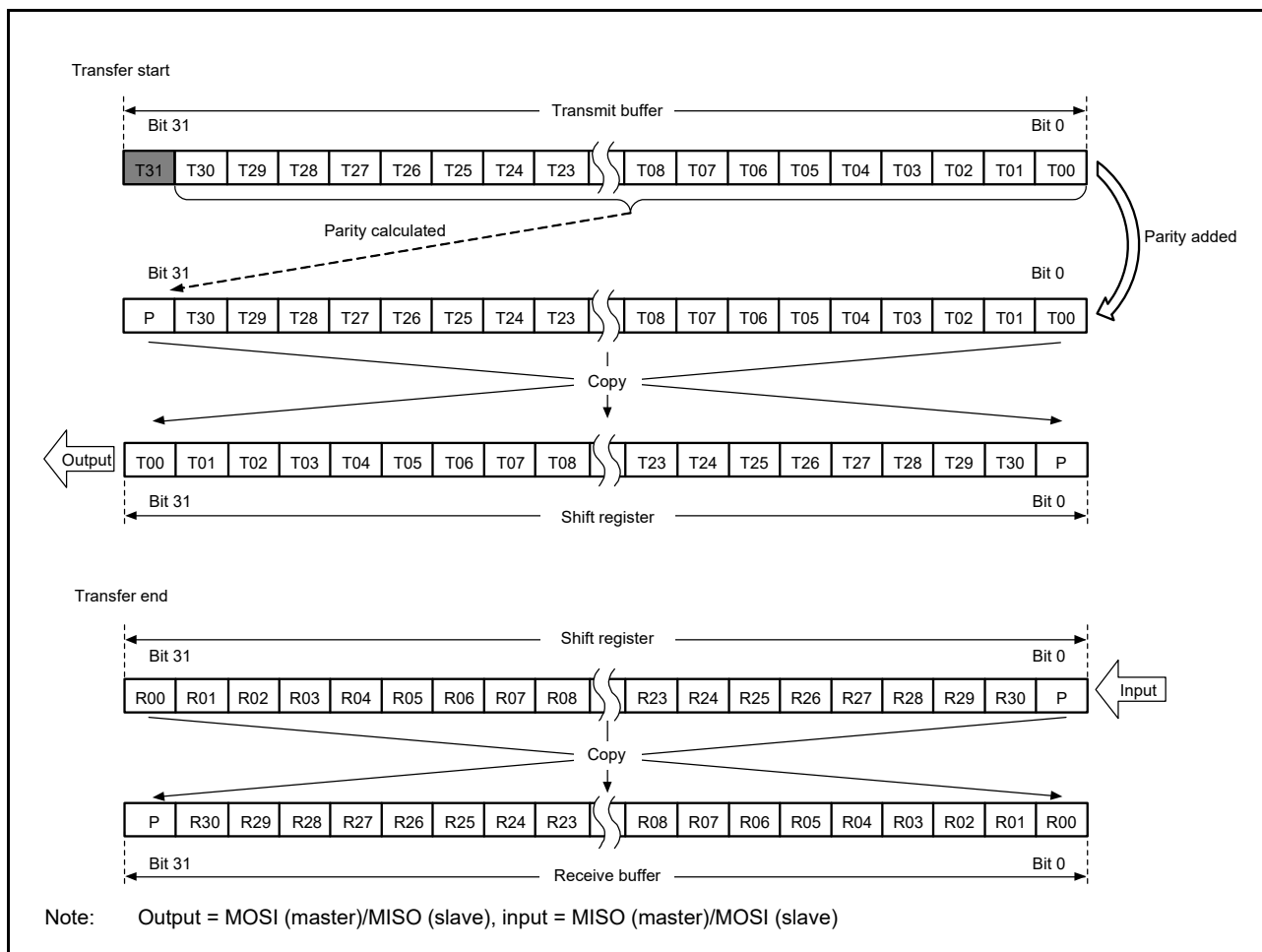


Figure 31.20 LSB-first transfer with 32-bit data and parity enabled

(4) LSB-first transfer with 24-bit data

Figure 31.21 shows the operation of the SPI Data Register (SPDR) and the shift register in a transfer with parity enabled, an SPI data length of 24 bits for an example that is not 32 bits, and LSB-first selected.

In transmission, the value of the parity bit (P) is calculated from bits T22 to T0. This replaces the final bit, T23, and the whole value is copied to the shift register. Data is transmitted in the order T00, T01, ..., T22, and P.

In reception, received data is shifted in bit by bit through bit [8] of the shift register. When bits R00 to P are collected after input of the required number of RSPCK cycles, the value in the shift register is copied to the receive buffer. After data is copied to the shift register, the data from R00 to P is checked for parity. The upper 8 bits of the transmit buffer are stored in the upper 8 bits of the receive buffer. Writing 0 to bits T31 to T24 during transmission results in 0 being inserted in the upper 8 bits of the receive buffer.

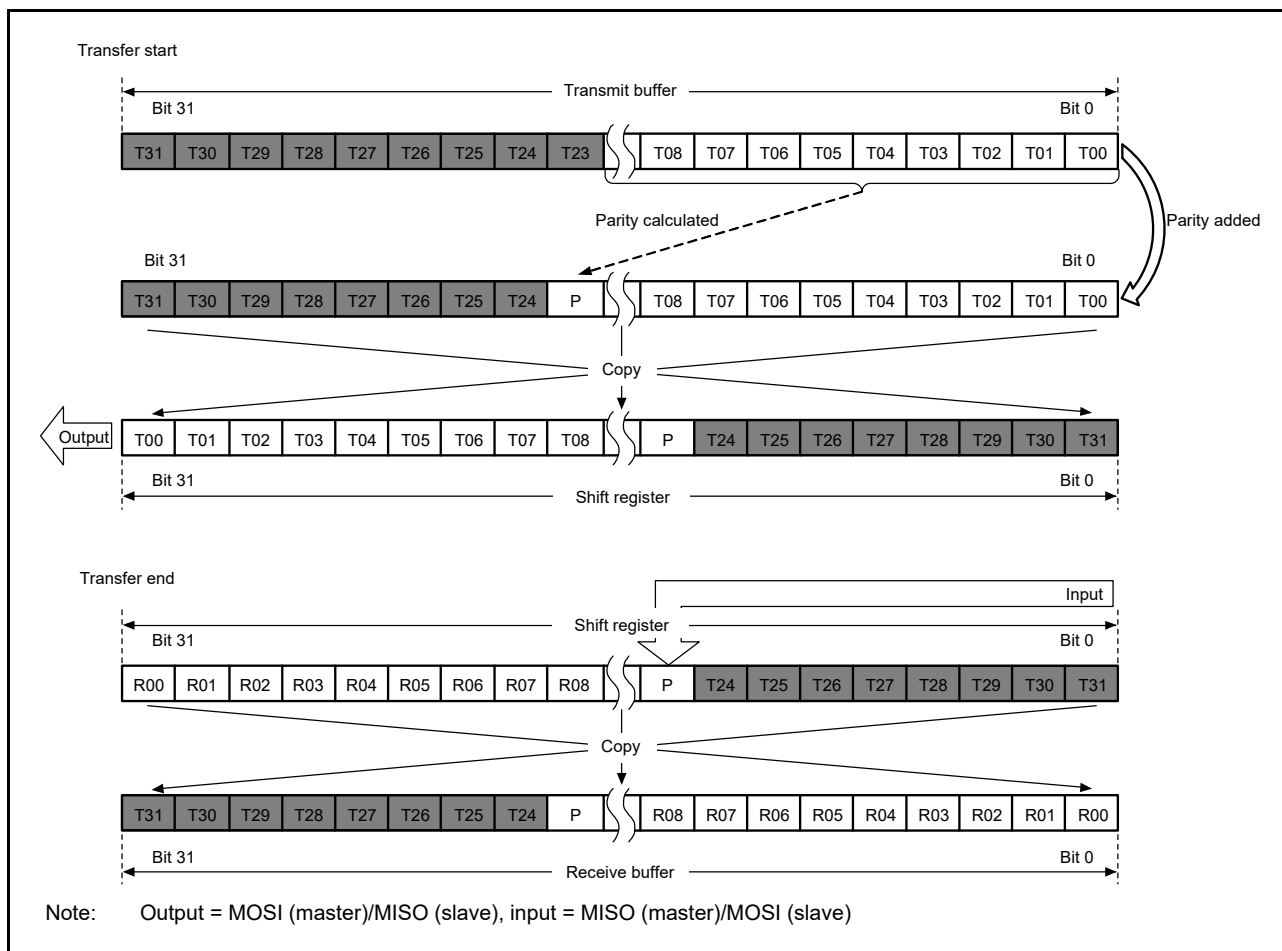


Figure 31.21 LSB-first transfer with 24-bit data and parity enabled

31.3.5 Transfer Format

31.3.5.1 CPHA = 0

Figure 31.22 shows a sample transfer format for the serial transfer of 8-bit data when the SPCMD0.CPHA bit is 0. Do not perform clock synchronous operation (the SPCR.SPMS bit is 1) when the SPI operates in slave mode (SPCR.MSTR = 0) and the CPHA bit is 0. In Figure 31.22, RSPCKn (CPOL = 0) indicates the RSPCKn signal waveform when the SPCMD0.CPOL bit is 0 and RSPCKn (CPOL = 1) indicates the RSPCKn signal waveform when the CPOL bit is 1. The sampling timing represents the timing at which the SPI fetches serial transfer data into the shift register. The I/O directions of the signals depend on the SPI settings. For details, see section 31.3.2, Controlling the SPI Pins.

When the SPCMD0.CPHA bit is 0, the driving of valid data to the MOSIn and MISOs signals begins at an SSLni signal assertion. The first RSPCKn signal change that occurs after the SSLni signal assertion becomes the first transfer data fetch. After this, data is sampled every 1 RSPCK cycle. The change timing for MOSIn and MISOs signals is 1/2 RSPCK cycle after the transfer data fetch timing. The CPOL bit setting does not affect the RSPCK signal operation timing. It only affects the signal polarity.

t1 denotes a period from an SSLni signal assertion to RSPCKn oscillation (RSPCK delay). t2 denotes a period from the termination of RSPCKn oscillation to an SSLni signal negation (SSL negation delay). t3 denotes a period in which SSLni signal assertion is suppressed for the next transfer after the end of serial transfer (next-access delay). t1, t2, and t3 are controlled by a master device running on the SPI system. For a description of t1, t2, and t3 when the SPI of the MCU is in master mode, see section 31.3.10.1, Master mode operation.

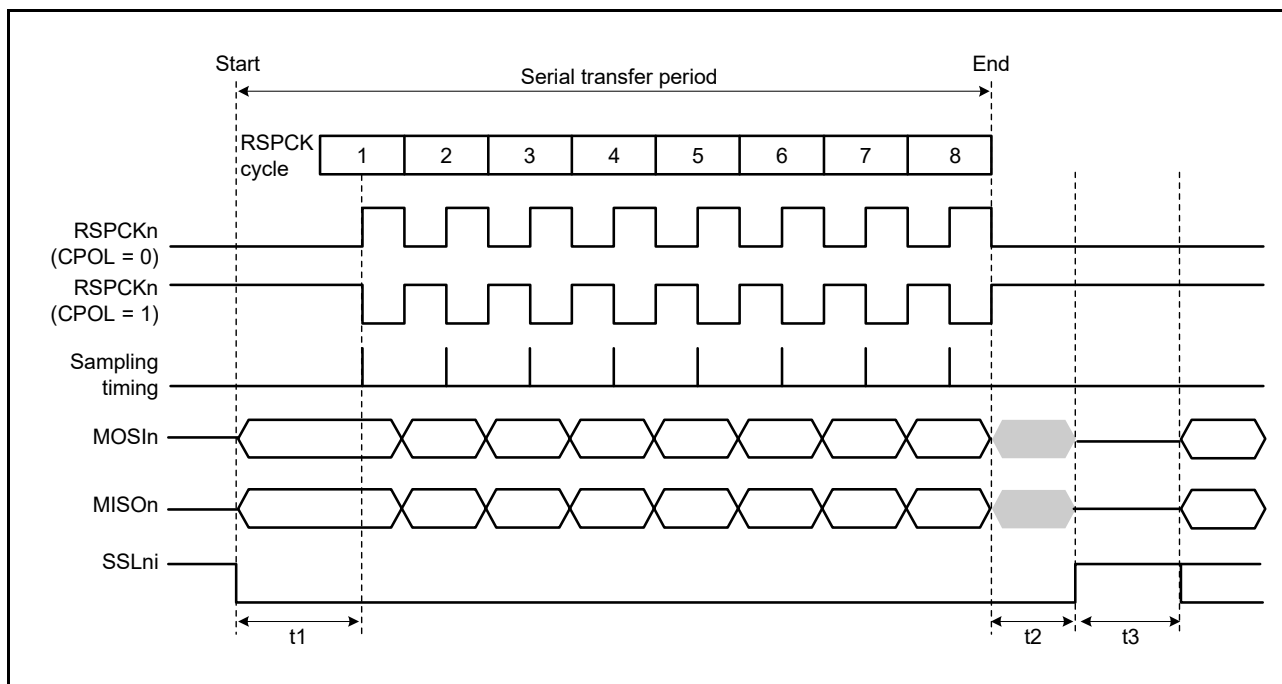


Figure 31.22 SPI transfer format with CPHA = 0

31.3.5.2 CPHA = 1

Figure 31.23 shows an example transfer format for the serial transfer of 8-bit data when the SPCMD0.CPHA bit is 1. However, when the SPCR.SPMS bit is 1, the SSLni signals are not used, and only the three RSPCKn, MOSIn, and MISO signals handle communications. In Figure 31.23, RSPCK (CPOL = 0) indicates the RSPCKn signal waveform when the SPCMD0.CPOL bit is 0 and RSPCK indicates the RSPCKn signal waveform when the CPOL bit is 1. The sampling timing represents the timing at which the SPI fetches serial transfer data into the shift register. The I/O directions of the signals depend on the SPI mode (master or slave). For details, see section 31.3.2, Controlling the SPI Pins.

When the SPCMD0.CPHA bit is 1, the driving of invalid data to the MISO signal begins at an SSLni signal assertion. The output of valid data to the MOSIn and MISO signals begins at the first RSPCKn signal change that occurs after the SSLni signal assertion. After this, data is updated at every 1 RSPCK cycle. The transfer data fetch timing is 1/2 RSPCK cycle after the data update timing. The SPCMD0.CPOL bit setting does not affect the RSPCKn signal operation timing. It only affects the signal polarity.

t1, t2, and t3 are the same as those when CPHA = 0. For a description of t1, t2, and t3 when the SPI of the MCU is in master mode, see section 31.3.10.1, Master mode operation.

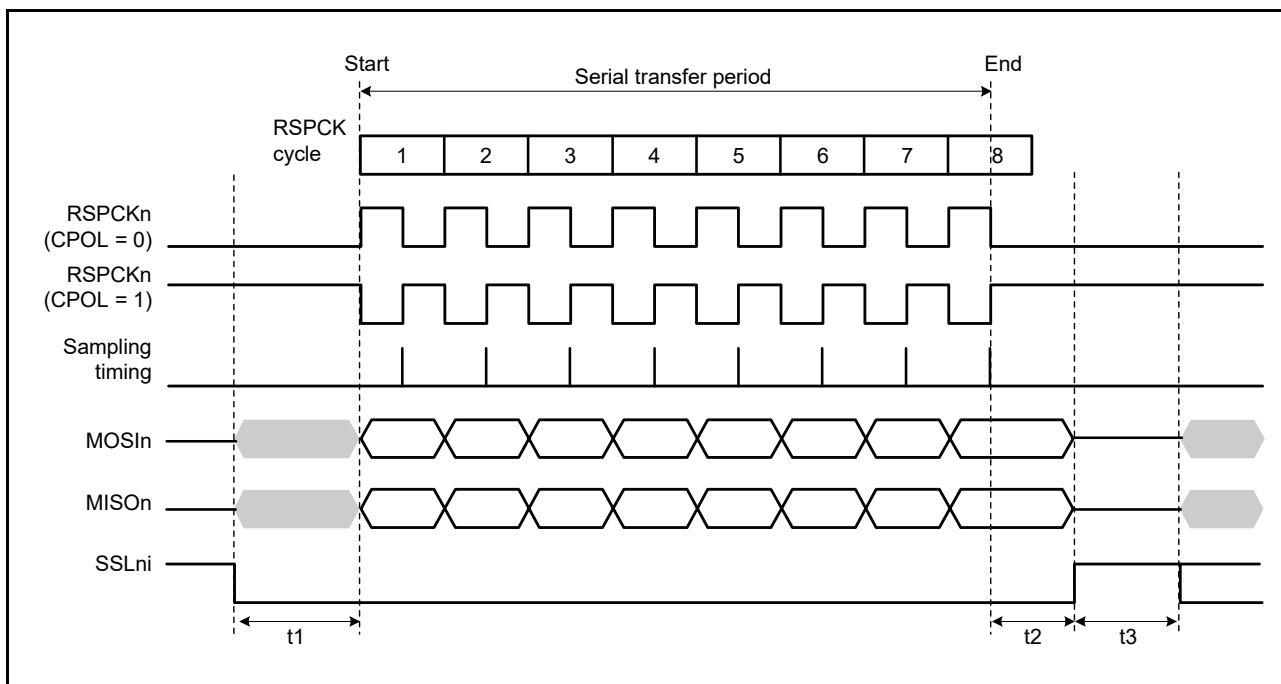


Figure 31.23 SPI transfer format with CPHA = 1

31.3.6 Data Transfer Modes

Full-duplex synchronous serial communications or transmit operations can only be selected by the communications operating mode select bit (SPCR.TXMD). The SPDR/SPDR_HA access shown in Figure 31.24 and Figure 31.25 indicate the condition of access to the SPDR/SPDR_HA register, where W denotes a write cycle.

31.3.6.1 Full-duplex synchronous serial communications (SPCR.TXMD = 0)

Figure 31.24 shows an example of operation where the communications operating mode select bit (SPCR.TXMD) is set to 0. In the example in Figure 31.24, the SPI performs an 8-bit serial transfer in which the SPCMD0.CPHA bit is 1 and the SPCMD0.CPOL bit is 0. The numbers given for RSPCKn in the waveform represent the number of RSPCK cycles, meaning the number of transferred bits.

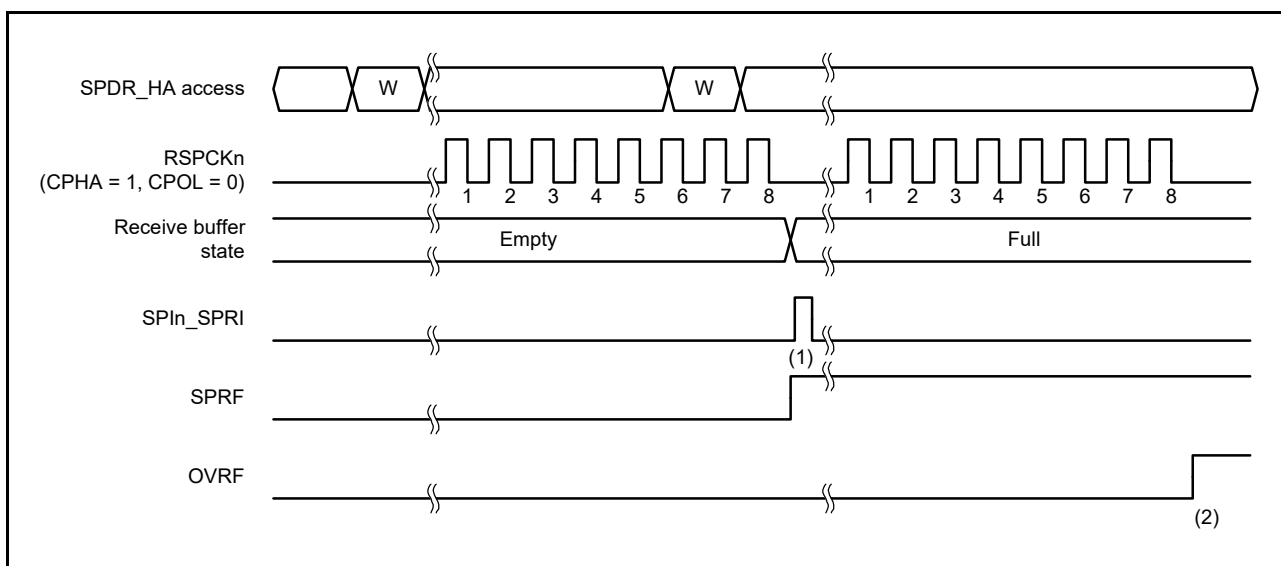


Figure 31.24 Operation example when SPCR.TXMD = 0

The operation of the flags at timings shown in (1) and (2) in Figure 31.24 is as follows:

(1) When a serial transfer ends with the SPDR_HA receive buffer empty, the SPI generates a receive buffer full interrupt request (SPIn_SPRI), the SPI sets the SPSR.SPRF flag to 1, and the received data is copied from the shift register to the receive buffer.

(2) When a serial transfer ends with the SPDR_HA receive buffer holding data that was received in the previous serial transfer, the SPI sets the SPSR.OVRF flag to 1 and discards the received data in the shift register.

31.3.6.2 Transmit-only operations (SPCR.TXMD = 1)

Figure 31.25 shows an operation example where the communications operating mode select bit (SPCR.TXMD) is set to 1. In the example in Figure 31.25, the SPI performs an 8-bit serial transfer in which the SPCMD0.CPHA bit is 1 and the SPCMD0.CPOL bit is 0. The numbers given for RSPCKn in the waveform represent the number of RSPCK cycles, meaning the number of transferred bits.

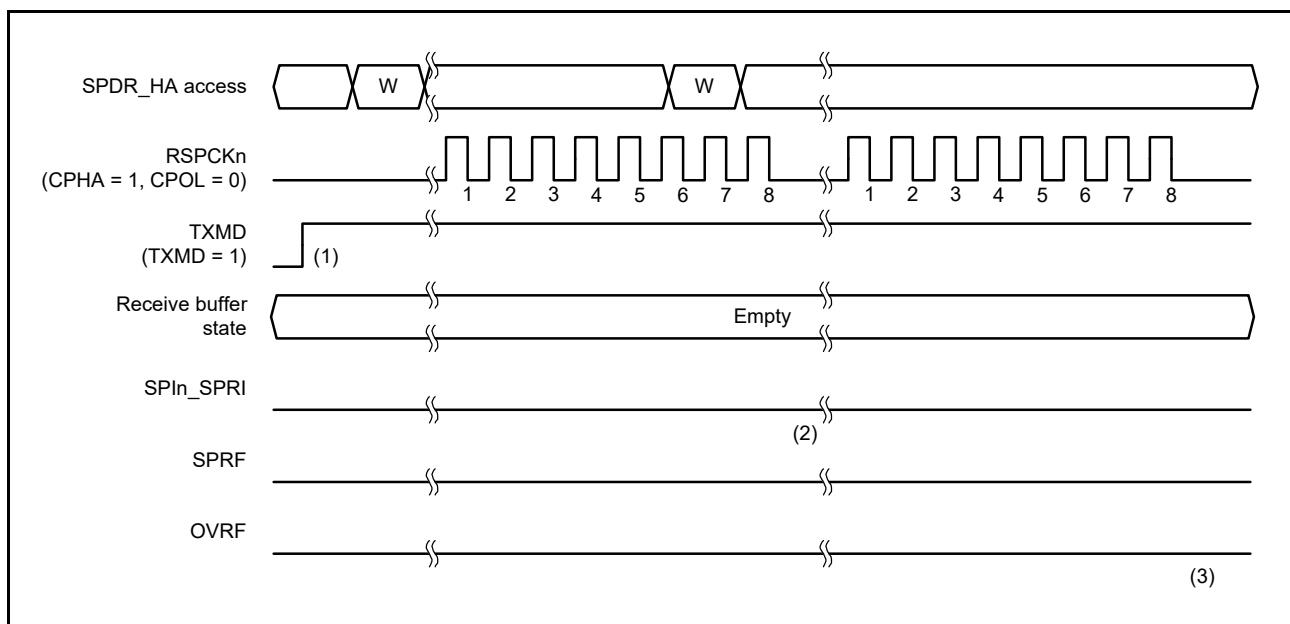


Figure 31.25 Operation example when SPCR.TXMD = 1

The operation of the flags at timings in (1) to (3) in Figure 31.25 is as follows:

- (1) Make sure there is no data left in the receive buffer (SPSR.SPRF flag is 0) and the SPSR.OVRF flag is 0 before entering the transmit-only operation mode (SPCR.TXMD = 1).
- (2) When a serial transfer ends with the SPDR_HA receive buffer empty, if the transmit-only operation mode is selected (SPCR.TXMD = 1), the SPSR.SPRF flag remains 0, and the SPI does not copy the data in the shift register to the receive buffer.
- (3) Because the SPDR_HA receive buffer does not hold data that was received in the previous serial transfer, even when a serial transfer ends, the SPSR.OVRF flag remains 0, and the data in the shift register is not copied to the receive buffer.

When performing transmit-only operations (SPCR.TXMD = 1), the SPI transmits but does not receive data. Therefore, the SPSR.SPRF and SPSR.OVRF flags remain 0 at timings (1) to (3).

31.3.7 Transmit Buffer Empty and Receive Buffer Full Interrupts

Figure 31.26 and Figure 31.27 show operation examples of the transmit buffer empty interrupt (SPIn_SPTI) and the receive buffer full interrupt (SPIn_SPRI). The register accesses shown in these figures indicate the condition of access to the SPDR_HA register, where W denotes a write cycle, and R a read cycle. In Figure 31.26, the SPI performs an 8-bit serial transfer in which the SPCR.TXMD bit is 0, the SPCMD0.CPHA bit is 0, and the SPCMD0.CPOL bit is 0.

In Figure 31.27, the SPI performs an 8-bit serial transfer in which the SPCR.TXMD bit is 0, the SPCMD0.CPHA bit is 1, and the SPCMD0.CPOL bit is 0. The numbers given for RSPCKn in the waveform represent the number of RSPCK cycles, meaning the number of transferred bits.

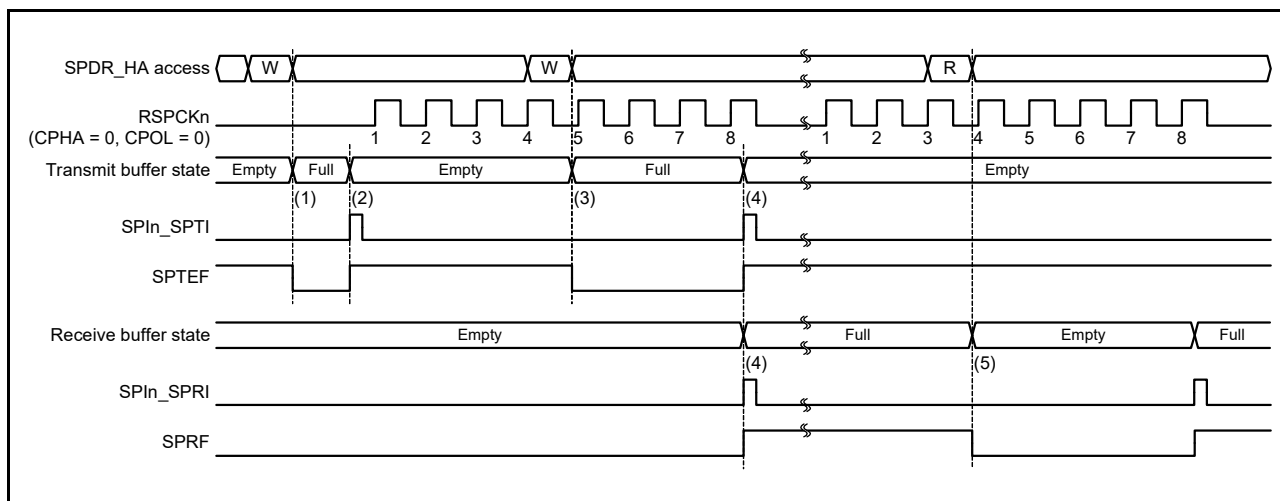


Figure 31.26 Operation example of SPIIn_SPTI and SPIIn_SPRI interrupts when CPHA = 0, CPOL = 0

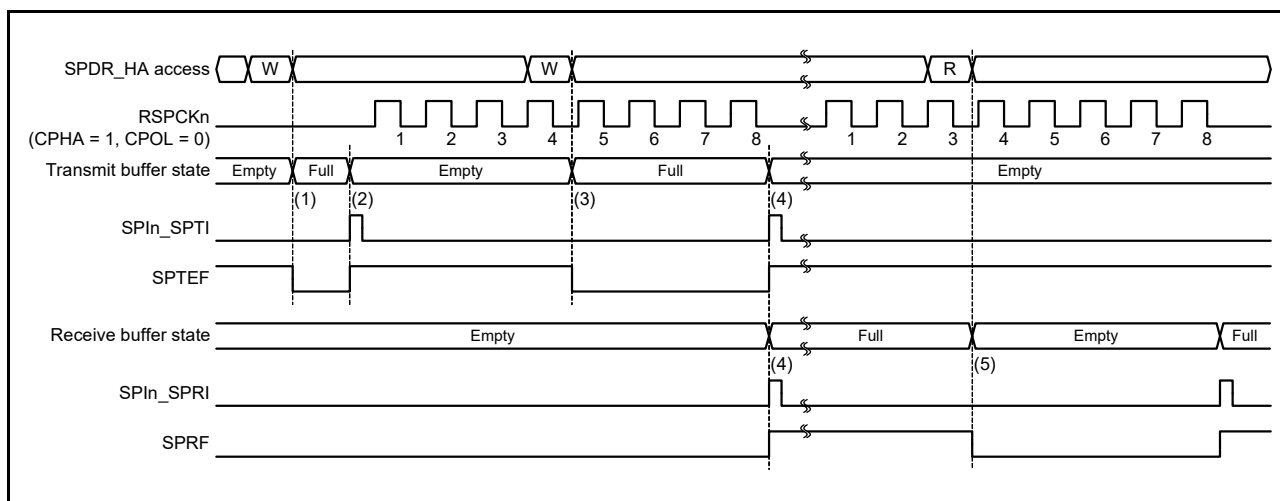


Figure 31.27 Operation example of SPIIn_SPTI and SPIIn_SPRI interrupts when CPHA = 1, CPOL = 0

The operation of the SPI at timings shown in (1) to (5) in [Figure 31.27](#) is described as follows:

- (1) When transmit data is written to SPDR_HA with the transmit buffer of SPDR_HA empty and data for the next transfer not set, the SPI writes data to the transmit buffer and clears the SPSR.SPTEF flag to 0.
- (2) If the shift register is empty, the SPI copies the data in the transmit buffer to the shift register and generates a transmit buffer empty interrupt request (SPIIn_SPTI), and sets the SPSR.SPTEF flag to 1. How a serial transfer is started depends on the mode of the SPI. For details, see [section 31.3.10, SPI Operation](#), and [section 31.3.11, Clock Synchronous Operation](#).
- (3) When transmit data is written to SPDR_HA either by the transmit buffer empty interrupt routine, or the processing of transmit buffer empty using SPTEF flag, the SPI writes data to the transmit buffer and clears the SPTEF flag to 0. Because the serially transferred data is stored in the shift register, the SPI does not copy the data in the transmit buffer to the shift register.
- (4) When the serial transfer ends with the receive buffer of SPDR_HA being empty, the SPI copies the receive data in the shift register to the receive buffer, generates a receive buffer full interrupt request (SPIIn_SPRI), and sets the SPRF flag to 1. Because the shift register is empty on completion of the serial transfer, if the transmit buffer was full before the serial transfer ended, the SPI sets the SPTEF flag to 1 and copies the data in the transmit buffer to the shift register. Even when received data is not copied from the shift register to the receive buffer in an overrun error status, on completion of the serial transfer, the SPI determines that the shift register is empty, and data transfer from the transmit buffer to the shift register is enabled.

- (5) When SPDR_HA is read either by the receive buffer full interrupt routine or by the processing of the receive buffer full using the SPRF flag, the receive data can be read.

If SPDR_HA is written to when the transmit buffer holds data that was not yet transmitted (the SPTEF flag is 0), the SPI does not update the data in the transmit buffer. When writing to SPDR_HA, make sure to use a transmit buffer empty interrupt request or to process a transmit buffer empty interrupt using the SPTEF flag. To use a transmit buffer empty interrupt, set the SPTIE bit in SPCR to 1. If the SPI function is disabled (the SPCR.SPE bit is 0), set the SPTIE bit to 0.

When serial transfer ends with the receive buffer being full (the SPRF flag is 1), the SPI does not copy data from the shift register to the receive buffer, and it detects an overrun error (see [section 31.3.8, Error Detection](#)). To prevent a receive data overrun error, read the received data using a receive buffer full interrupt request before the next serial transfer ends. To use an SPI receive buffer full interrupt, set the SPCR.SPRIE bit to 1.

Transmission and reception interrupts or the associated IELSRj.IR flags (where j is the interrupt vector number) in the ICU, can be used to confirm the states of the transmission and reception buffers. Similarly, the SPTEF and the SPRF flags can be used to confirm the states of the transmission and reception buffers. See [section 13, Interrupt Controller Unit \(ICU\)](#), for the interrupt vector numbers.

31.3.8 Error Detection

In normal SPI serial transfer, data written to the transmit buffer of SPDR/SPDR_HA is transmitted, and received data can be read from the SPDR/SPDR_HA receive buffer. If access is made to SPDR/SPDR_HA, an abnormal transfer might occur, depending on the status of the transmit or receive buffer, or the status of the SPI at the beginning or end of a serial transfer.

If an abnormal transfer occurs, the SPI detects the event as an underrun error, overrun error, parity error, or mode fault error. [Table 31.7](#) lists the relationship between non-normal transfer operations and the SPI error detection function.

Table 31.7 Relationship between non-normal transfer operations and SPI error detection function

| Operation | Occurrence condition | SPI operation | Error detection |
|-----------|-------------------------------------------------------------------------------------------------------------------------------------|----------------------------------------------------------------------------------------------------------------------------------------------------------------------------------------------------------------------------------------------------|------------------|
| 1 | SPDR/SPDR_HA is written when the transmit buffer is full. | <ul style="list-style-type: none"> The contents of the transmit buffer are kept Write data is missing. | None |
| 2 | SPDR/SPDR_HA is read when the receive buffer is empty. | The contents of the receive buffer and previously received data are output | None |
| 3 | Serial transfer is started in slave mode when the SPI is not able to transmit data. | <ul style="list-style-type: none"> Serial transfer is suspended Transmit or receive data is missing Driving of the MISOA output signal is stopped SPI function is disabled. | Underrun error |
| 4 | Serial transfer terminates when the receive buffer is full. | <ul style="list-style-type: none"> The contents of the receive buffer are kept Receive data is missing. | Overrun error |
| 5 | An incorrect parity bit is received when performing full-duplex synchronous serial communications with the parity function enabled. | The parity error flag is asserted | Parity error |
| 6 | The SSLn0 input signal is asserted when the serial transfer is idle in multi-master mode. | <ul style="list-style-type: none"> Driving of the RSPCKn, MOSIn, and SSLn1 to SSLn3 output signals is stopped SPI function is disabled. | Mode fault error |
| 7 | The SSLn0 input signal is asserted during serial transfer in multi-master mode. | <ul style="list-style-type: none"> Serial transfer is suspended Transmit or receive data is missing Driving of the RSPCKn, MOSIn, and SSLn1 to SSLn3 output signals is stopped SPI function is disabled. | Mode fault error |
| 8 | The SSLn0 input signal is negated during serial transfer in slave mode. | <ul style="list-style-type: none"> Serial transfer is suspended Transmit or receive data is missing Driving of the MISO output signal is stopped SPI function is disabled. | Mode fault error |

In operation 1 described in [Table 31.7](#), the SPI does not detect an error. To prevent data omission during the writes to SPDR/SPDR_HA, the writes to SPDR/SPDR_HA must be executed using a transmit buffer empty interrupt request (when SPCR.SPTEF flag is 1). Similarly, the SPI does not detect an error in operation 2. To prevent extraneous data from

being read, SPDR/SPDR_HA reads must be executed using an SPI receive buffer full interrupt request (when SPSR.SPRF flag is 1).

For information on the various errors, see the following:

- Underrun errors, indicated in operation 3, see [section 31.3.8.4, Underrun errors](#)
- Overrun errors, indicated in operation 4, see [section 31.3.8.1, Overrun errors](#)
- Parity errors, indicated in operation 5, see [section 31.3.8.2, Parity errors](#)
- Mode fault errors indicated in operations 6 to 8, see [section 31.3.8.3, Mode fault errors](#)
- Transmit and receive interrupts, see [section 31.3.7, Transmit Buffer Empty and Receive Buffer Full Interrupts](#).

31.3.8.1 Overrun errors

If a serial transfer ends when the receive buffer of SPDR/SPDR_HA is full, the SPI detects an overrun error and sets the SPSR.OVRF flag to 1. When the OVRF flag is 1, the SPI does not copy data from the shift register to the receive buffer, the data before the error occurrence is saved in the receive buffer. To set the OVRF flag to 0, write 0 to it after the CPU reads SPSR with the OVRF flag set to 1.

Figure 31.28 shows an example operation of the OVRF and SPRF flags. The SPSR and SPDR/SPDR_HA accesses shown in Figure 31.28 indicate the condition of accesses to SPSR and SPDR/SPDR_HA, respectively, where W denotes a write cycle, and R a read cycle. In the example, the SPI performs an 8-bit serial transfer in which the SPCMD0.CPHA bit is 1 and the SPCMD0.CPOL bit is 0. The numbers given for RSPCKn in the waveform represent the number of RSPCK cycles, meaning the number of transferred bits.

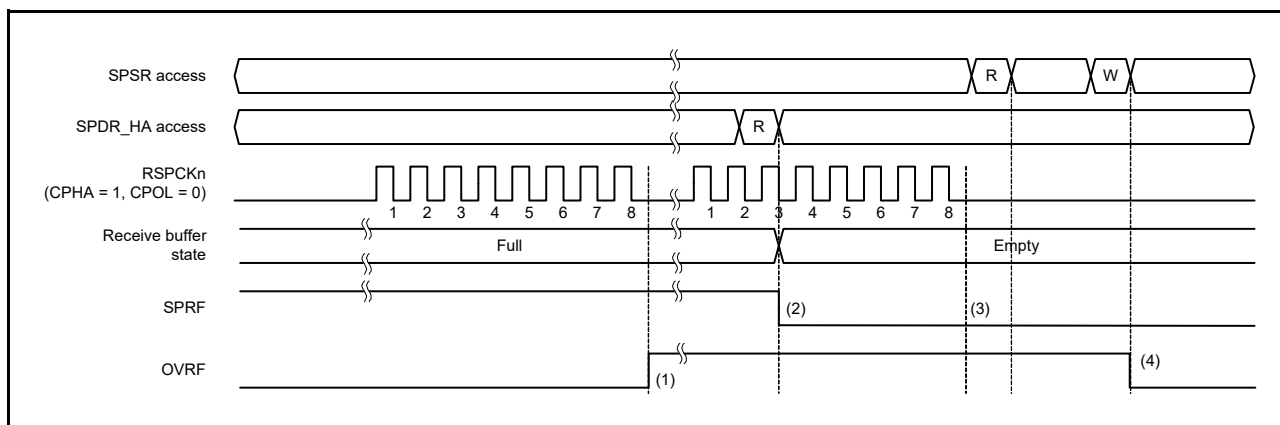


Figure 31.28 Operation example of OVRF and SPRF flags

The operation of the flags at the timing shown in (1) to (4) in Figure 31.28 is as follows:

- (1) If a serial transfer terminates with the SPRF flag set to 1 (the receive buffer full), the SPI detects an overrun error and sets the OVRF flag to 1. The SPI does not copy data in the shift register to the receive buffer. Even if the SPPE bit is 1, parity errors are not detected.
- (2) When SPDR/SPDR_HA is read, the SPI outputs the data in the receive buffer. The SPRF flag is then set to 0. The emptying of the receive buffer does not set the OVRF flag to 0.
- (3) If the serial transfer ends with the OVRF flag set to 1 (an overrun error occurs), the SPI does not copy data in the shift register to the receive buffer (the SPRF flag is not set to 1). A receive buffer full interrupt is not generated. Even when the SPPE bit is 1, parity errors are not detected. When an overrun error occurs and the SPI does not copy the received data from the shift register to the receive buffer, on termination of the serial transfer, the SPI determines that the shift register is empty. This enables data transfer from the transmit buffer to the shift register.
- (4) If 0 is written to the OVRF flag after SPSR is read when the OVRF flag is 1, the OVRF flag is set to 0.

The occurrence of an overrun error can be checked either by reading SPSR or by using an SPI error interrupt and reading SPSR. When executing a serial transfer, make sure that overrun errors are detected early, for instance by reading SPSR immediately after SPDR/SPDR_HA is read. If an overrun error occurs and the OVRF flag is set to 1, normal reception operations cannot be performed until the OVRF flag is set to 0.

When the RSPCK auto-stop function is enabled in master mode, an overrun error does not occur. Figure 31.29 and Figure 31.30 show the clock stop waveform when a serial transfer continues while the receive buffer is full in master mode.

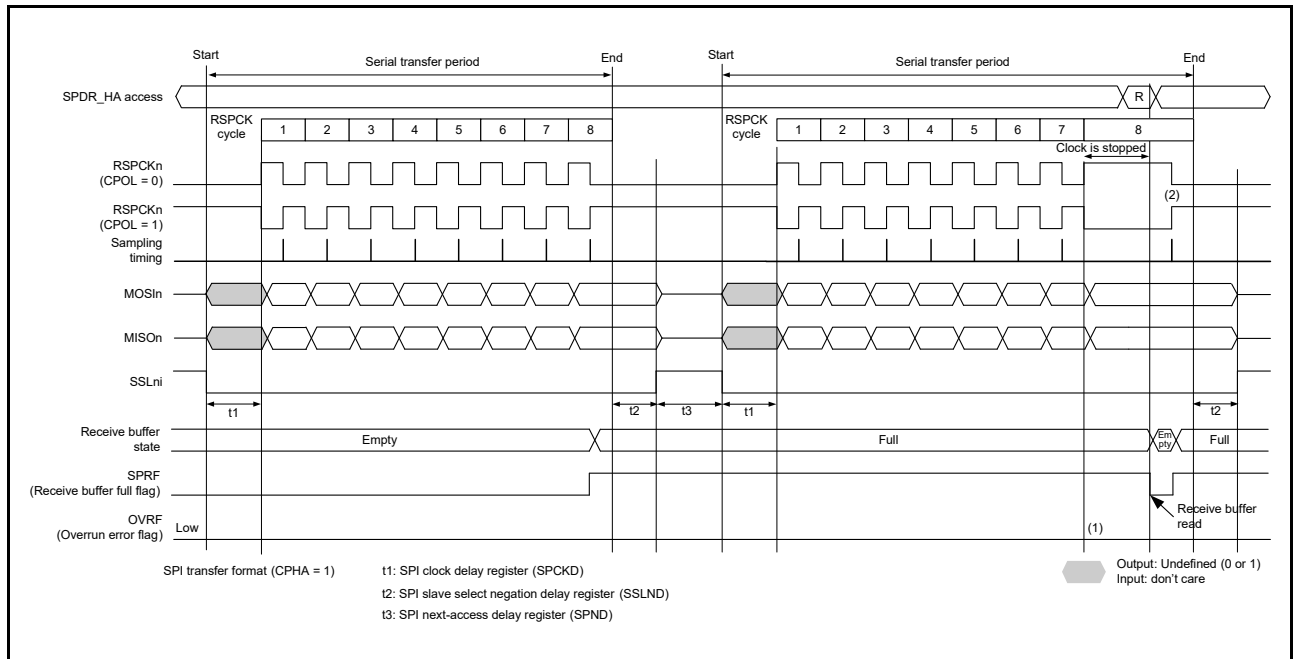


Figure 31.29 Clock stop waveform when serial transfer continues while receive buffer is full in master mode with CPHA = 1

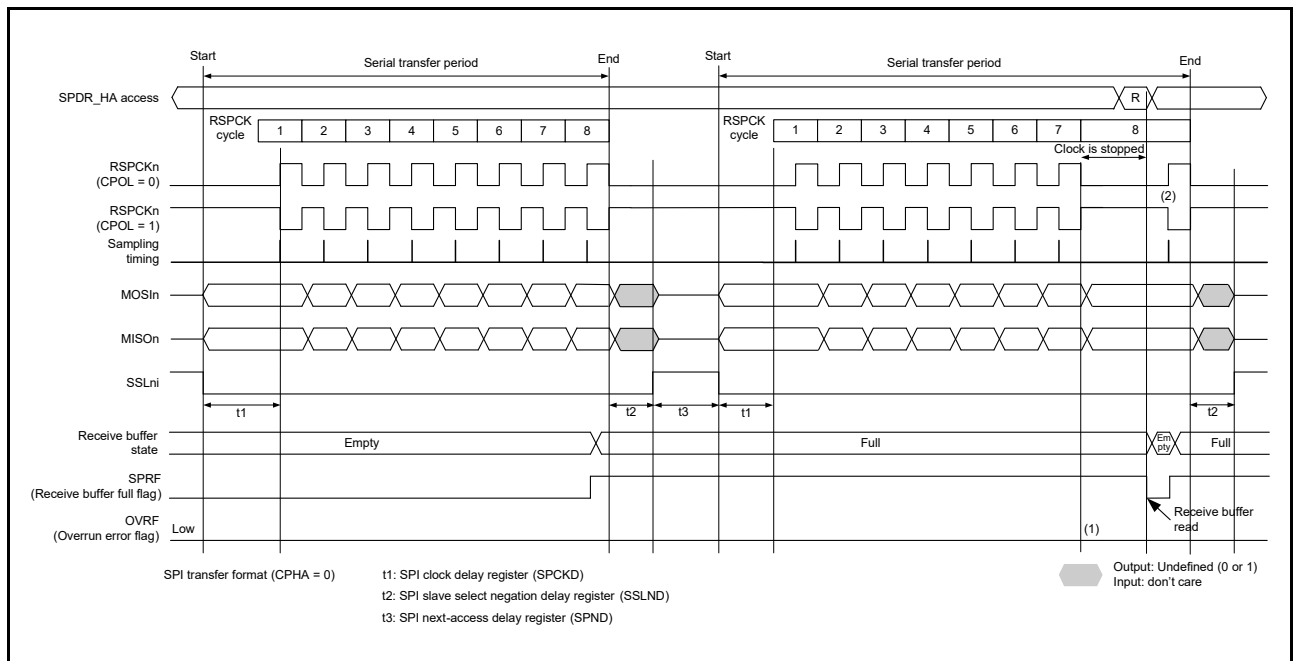


Figure 31.30 Clock stop waveform when serial transfer continues while receive buffer is full in master mode with CPHA = 0

The operation of the flags at the timings shown in (1) and (2) in Figure 31.29 and Figure 31.30 is described as follows:

- (1) When the receive buffer is full, an overrun error does not occur because the RSPCK clock is stopped.
- (2) If SPDR/SPDR_HA is read while the clock is stopped, data in the receive buffer can be read. The RSPCK clock restarts after reading the receive buffer (after SPSR.SPRF flag is set to 0).

31.3.8.2 Parity errors

When full-duplex synchronous serial communications is performed with the SPCR.TXMD bit set to 0 and the SPCR2.SPPE bit set to 1, the SPI checks for parity errors when serial transfer ends. On detecting a parity error in the received data, the SPI sets the SPSR.PERF flag to 1. Because the SPI does not copy data in the shift register to the receive buffer when the SPSR.OVRF flag is set to 1, parity error detection is not performed for the received data. To set the PERF flag to 0, write 0 to the PERF flag after the SPSR register is read with the PERF flag set to 1.

Figure 31.31 shows an example of OVRF and PERF flag operation. The SPSR access shown in Figure 31.31 indicates the condition of access to the SPSR register, where W denotes a write cycle, and R a read cycle. In Figure 31.31, full-duplex synchronous serial communications is performed while the SPCR.TXMD bit is 0 and the SPCR2.SPPE bit is 1. The SPI performs an 8-bit serial transfer in which the SPCMD0.CPHA bit is 1 and the SPCMD0.CPOL bit is 0. The numbers given for RSPCKn in the waveform represent the number of RSPCK cycles, meaning the number of transferred bits.

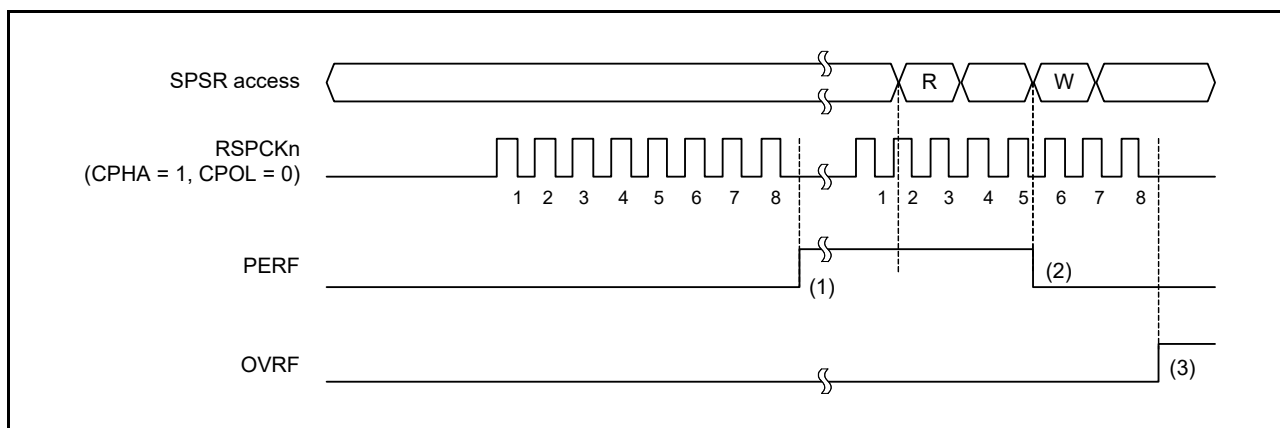


Figure 31.31 Operation example of the OVRF and PERF flags

The operation of the flags at the timing shown in (1) to (3) in Figure 31.31 is described as follows:

- (1) If a serial transfer terminates with the SPI not detecting an overrun error, the SPI copies the data in the shift register to the receive buffer. The SPI checks the received data at this timing and sets the PERF flag to 1 if a parity error is detected.
- (2) If 0 is written to the PERF flag after SPSR register is read when the PERF flag is 1, the PERF flag is set to 0.
- (3) When the SPI detects an overrun error and serial transfer is terminated, the data in the shift register is not copied to the receive buffer, and the SPI does not perform parity error detection.

The occurrence of a parity error can be checked either by reading the SPSR register or by using an SPI error interrupt and reading the SPSR register. When executing a serial transfer, make sure that parity errors are detected early, for instance by reading SPSR.

31.3.8.3 Mode fault errors

The SPI operates in multi-master mode when the SPCR.MSTR bit is 1, the SPCR.SPMS bit is 0, and the SPCR.MODFEN bit is 1. If the active level is input with respect to the SSLn0 input signal of the SPI in multi-master mode, the SPI detects a mode fault error irrespective of the status of the serial transfer, and sets the SPSR.MODF flag to 1. The active level of the SSLn0 signal is determined by the SSLP.SSL0P bit.

When the MSTR bit is 0, the SPI operates in slave mode. The SPI detects a mode fault error if the MODFEN bit of the SPI in slave mode is 1, and the SPMS bit is 0, and if the SSLn0 input signal is negated during the serial transfer period (from the time the driving of valid data is started to the time the final valid data is fetched).

On detecting a mode fault error, the SPI stops driving of the output signals and clears the SPCR.SPE bit to 0 (see section 31.3.9, [Initializing the SPI](#)). For multi-master configuration, detection of a mode fault error is used to stop the driven of output signals and the SPI function, which allows the master to be released.

The occurrence of a mode fault error can be checked either by reading SPSR or by using an SPI error interrupt and reading SPSR. Detecting mode-fault errors without utilizing the SPI error interrupt requires polling of SPSR.

When the MODF flag is 1, writing of the value 1 to the SPE bit is ignored by the SPI. To enable the SPI function after the detection of a mode fault error, the MODF flag must be set to 0.

31.3.8.4 Underrun errors

When the serial transfer begins with the SPCR.MSTR bit at 0 (slave mode), the SPCR.SPE bit at 1, and the transmission data not prepared, the SPI detects an underrun error. The SPI then sets the SPSR.MODF flag and the SPSR.UDRF flag to 1.

On detecting an underrun error, the SPI stops the driven of output signals and clears the SPCR.SPE bit to 0 (see [section 31.3.9, Initializing the SPI](#)).

The occurrence of an underrun error can be checked either by reading SPSR or by using an SPI error interrupt and reading SPSR. Detecting underrun errors without utilizing the SPI error interrupt requires polling of SPSR.

When the MODF flag is 1, writing 1 to the SPE bit is ignored by the SPI. To enable the SPI function after the detection of an underrun error, the MODF flag must be set to 0.

31.3.9 Initializing the SPI

If 0 is written to the SPCR.SPE bit or if the SPI sets the SPE bit to 0 because it detected a mode fault error or an underrun error, the SPI disables the SPI function and initializes some of the module functions. When a system reset is generated, the SPI initializes all of the module functions. The following section describes initialization by clearing of the SPCR.SPE bit and by a system reset.

31.3.9.1 Initialization by clearing the SPE bit

When the SPCR.SPE bit is set to 0, the SPI initializes by:

- Suspending any serial transfer that is being executed
- Stopping the driving of output signals (Hi-Z) in slave mode
- Initializing the internal state of the SPI
- Initializing the transmit buffer of the SPI (SPSR.SPTEF flag is set to 1).

Initialization by the clearing of the SPE bit does not initialize the control bits of the SPI. For this reason, the SPI can be started in the same transfer mode in use before the initialization if the SPE bit is set to 1 again.

The SPRF, OVRF, MODF, PERF, and UDRF flags in the SPSR register are not initialized. Therefore, even after the SPI is initialized, data from the receive buffer can be read to check the error status during an SPI transfer.

The transmit buffer is initialized to an empty state (SPSR.SPTEF flag is set to 1). Therefore, if the SPCR.SPTIE bit is set to 1 after SPI initialization, a transmit buffer empty interrupt is generated. To disable any transmit buffer empty interrupts when the SPI is initialized, write 0 to the SPTIE bit simultaneously while writing 0 to the SPE bit.

31.3.9.2 Initialization by system reset

A system reset completely initializes the SPI by initializing all bits that control the SPI, the status bits, and the data registers, in addition to the requirements described in [section 31.3.9.1, Initialization by clearing the SPE bit](#).

31.3.10 SPI Operation

31.3.10.1 Master mode operation

The only difference between single-master mode and multi-master mode operation is the use of mode fault error detection (see [section 31.3.8, Error Detection](#)). In single-master mode, the SPI does not detect mode fault errors whereas in multi-master mode, it does. This section explains operations that are common to both modes.

(1) Starting serial transfer

The SPI updates the data in the transmit buffer (SPTX) when data is written to the SPI Data Register (SPDR/SPDR_HA) with the SPI transmit buffer empty, and data for the next transfer is not set (SPSR.SPTEF flag is 1). When the shift register is empty, the SPI copies data from the transmit buffer to the shift register and starts serial transfer. On copying transmit data to the shift register, the SPI changes the status of the shift register to full, and on termination of serial

transfer, it changes the status of the shift register to empty. The status of the shift register cannot be referenced.

The polarity of the SSL_{ni} output pins depends on the SSLP register settings. For details on the SPI transfer format, see [section 31.3.5, Transfer Format](#).

(2) Terminating serial transfer

Irrespective of the SPCMD0.CPHA bit setting, the SPI terminates the serial transfer after transmitting an RSPCK_n edge corresponding to the final sampling timing. If free space is available in the receive buffer (SPRX) (SPSR.SPRF flag is 0), upon termination of serial transfer, the SPI copies data from the shift register to the receive buffer of the SPDR/SPDR_HA register.

Note: The final sampling timing varies depending on the bit length of the transfer data. In master mode, the SPI data length depends on the SPCMD0.SPB[3:0] bit setting. The polarity of the SSL_{ni} output pin depends on the SSLP register settings. For details on the SPI transfer format, see [section 31.3.5, Transfer Format](#).

(3) RSPCK delay (t1)

The RSPCK delay in master mode depends on the SPCMD0.SCKDEN bit setting and the SPCKD register setting. The SPI determines an RSPCK delay during serial transfer using the SPCMD0.SCKDEN bit and SPCKD, as listed in [Table 31.8](#). For a definition of RSPCK delay, see [section 31.3.5, Transfer Format](#).

Table 31.8 Relationship between SCKDEN bit, SPCKD, and RSPCK delay

| SPCMD0.SCKDEN bit | SPCKD.SCKDL[2:0] bits | RSPCK |
|-------------------|-----------------------|---------|
| 0 | 000b to 111b | 1 RSPCK |
| 1 | 000b | 1 RSPCK |
| | 001b | 2 RSPCK |
| | 010b | 3 RSPCK |
| | 011b | 4 RSPCK |
| | 100b | 5 RSPCK |
| | 101b | 6 RSPCK |
| | 110b | 7 RSPCK |
| | 111b | 8 RSPCK |

(4) SSL negation delay (t2)

The SSL negation delay in master mode depends on the SPCMD0.SLNDEN bit setting and the SSLND register setting. The SPI determines an SSL negation delay using the SPCMD0.SLNDEN bit and SSLND, as listed in [Table 31.9](#). For a definition of SSL negation delay, see [section 31.3.5, Transfer Format](#).

Table 31.9 Relationship among SLNDEN bit, SSLND, and SSL negation delay

| SPCMD0.SLNDEN bit | SSLND.SLNDL[2:0] bits | SSL negation delay |
|-------------------|-----------------------|--------------------|
| 0 | 000b to 111b | 1 RSPCK |
| 1 | 000b | 1 RSPCK |
| | 001b | 2 RSPCK |
| | 010b | 3 RSPCK |
| | 011b | 4 RSPCK |
| | 100b | 5 RSPCK |
| | 101b | 6 RSPCK |
| | 110b | 7 RSPCK |
| | 111b | 8 RSPCK |

(5) Next-access delay (t3)

The next-access delay in master mode depends on the SPCMD0.SPNDEN bit setting and the SPND setting. The SPI determines a next-access delay during serial transfer using the SPCMD0.SPNDEN bit and SPND, as listed in [Table 31.10](#). For a definition of next-access delay, see [section 31.3.5, Transfer Format](#).

Table 31.10 Relationship between SPNDEN bit, SPND, and next-access delay

| SPCMD0.SPNDEN bit | SPND.SPNDL[2:0] bits | Next-access delay |
|-------------------|----------------------|-------------------|
| 0 | 000b to 111b | 1 RSPCK + 2 PCLKA |
| 1 | 000b | 1 RSPCK + 2 PCLKA |
| | 001b | 2 RSPCK + 2 PCLKA |
| | 010b | 3 RSPCK + 2 PCLKA |
| | 011b | 4 RSPCK + 2 PCLKA |
| | 100b | 5 RSPCK + 2 PCLKA |
| | 101b | 6 RSPCK + 2 PCLKA |
| | 110b | 7 RSPCK + 2 PCLKA |
| | 111b | 8 RSPCK + 2 PCLKA |

(6) Initialization flow

[Figure 31.32](#) shows an example of initialization flow when the SPI is in master mode. For information on how to set up the Interrupt Controller Unit, DMAC, and I/O ports, see the individual block descriptions.

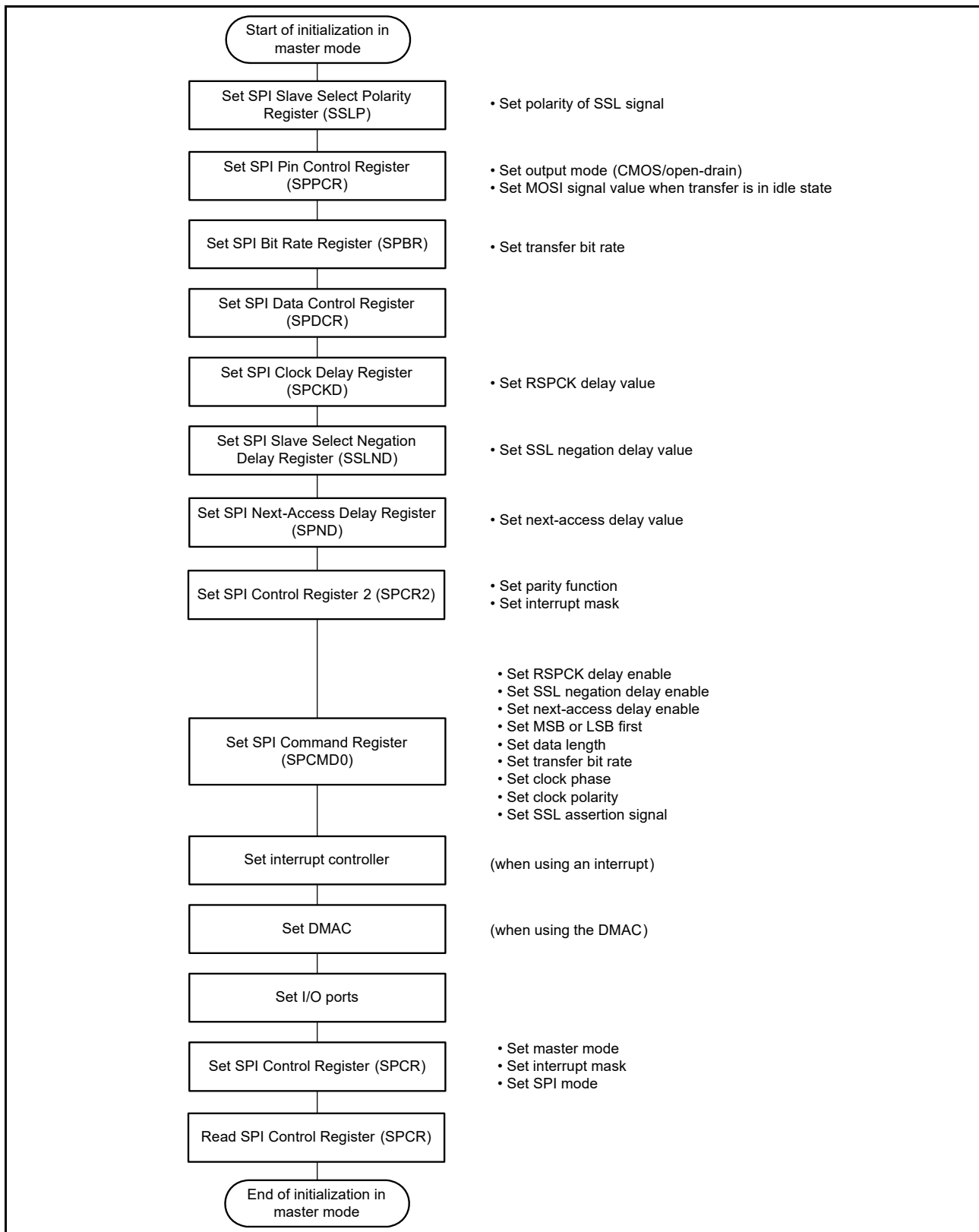


Figure 31.32 Example of initialization flow in master mode for SPI operation

(7) Software processing flow

Figure 31.33 to Figure 31.35 show example flows of software processing.

(a) Transmit processing flow

When transmitting data and when the SPIn_SPII interrupt is enabled, the CPU is notified of the completion of data transmission after the last data write for transmission.

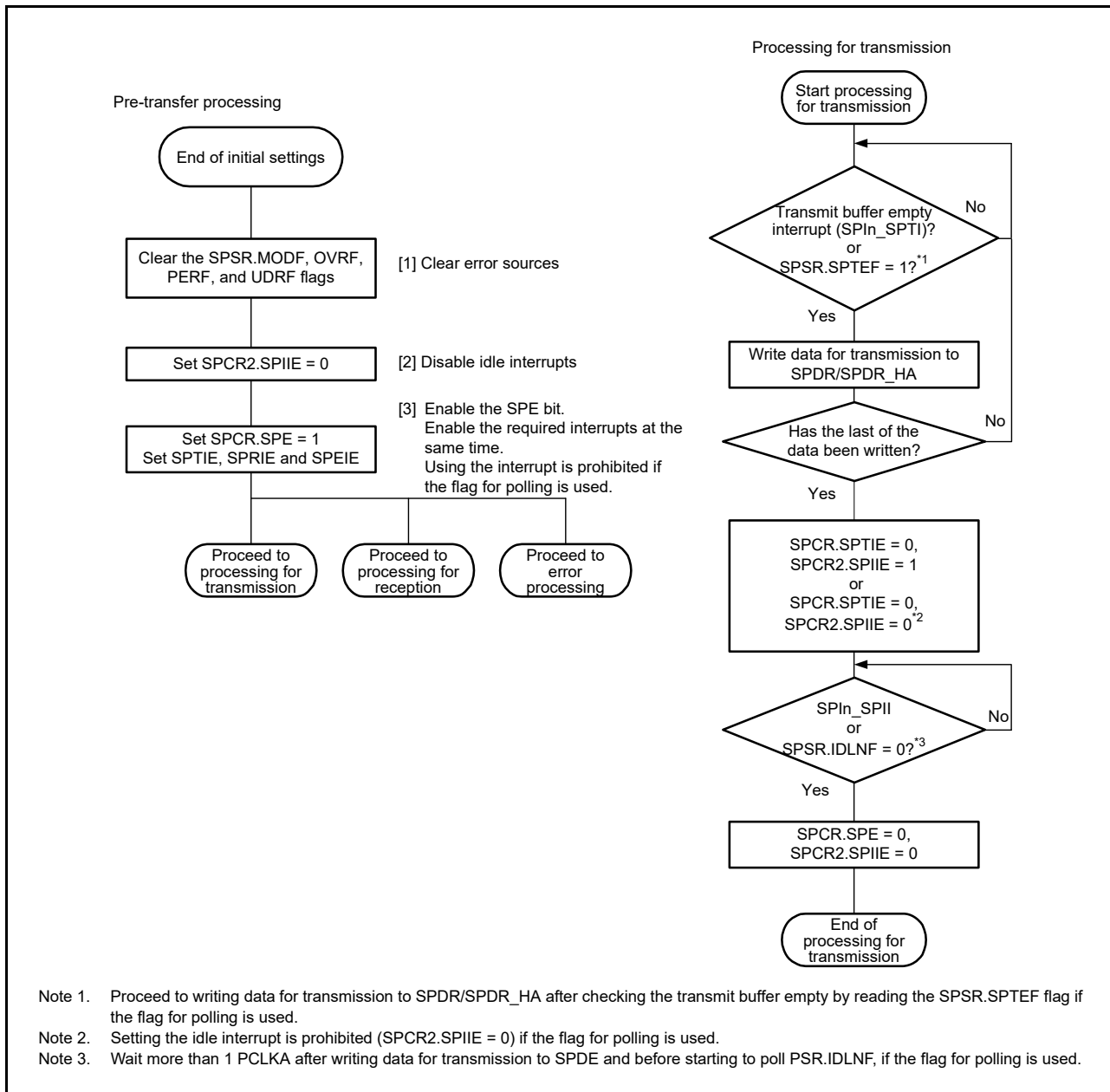


Figure 31.33 Transmission flow in master mode

(b) Receive processing flow

The SPI does not handle receive-only operations, therefore processing for transmission is required.

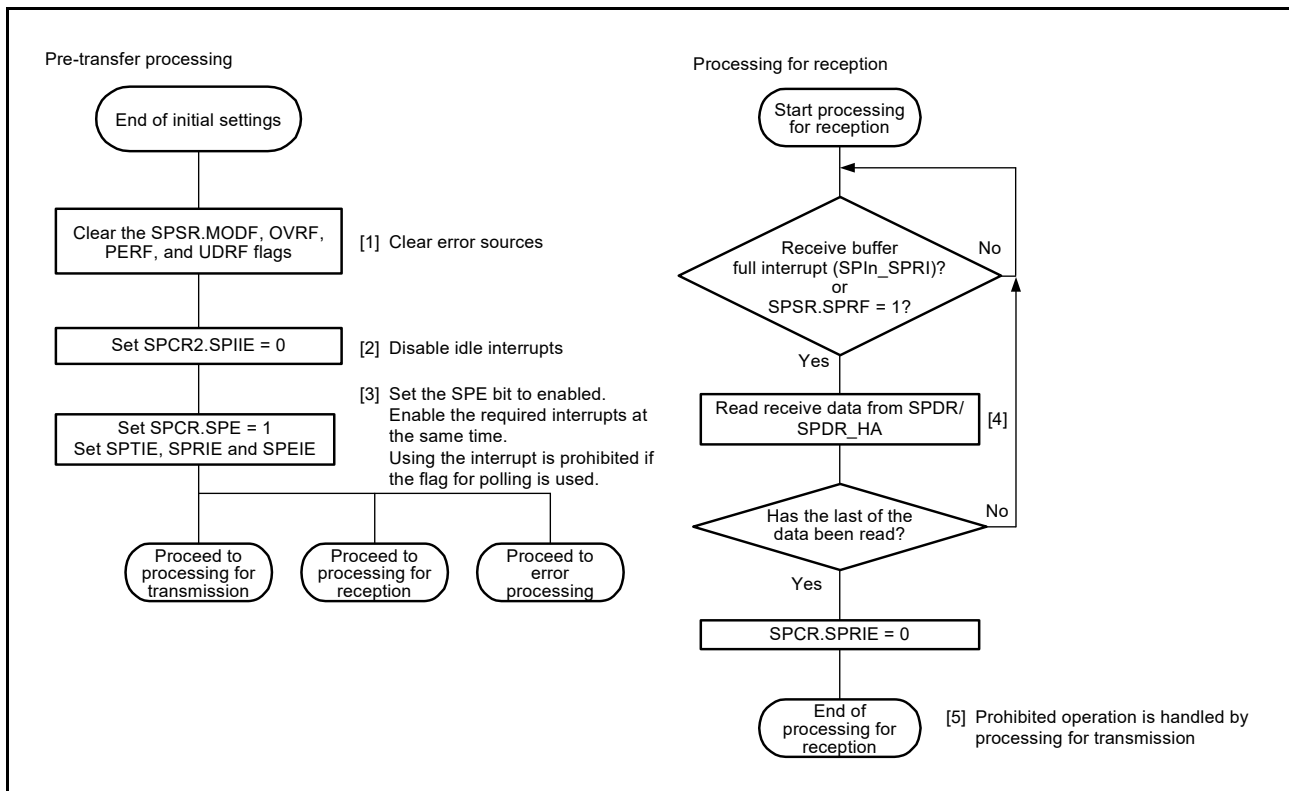


Figure 31.34 Reception flow in master mode

(c) Error processing flow

The SPI detects the following errors:

- Mode fault
- Underrun
- Overrun
- Parity.

When a mode fault error is generated, the SPCR.SPE bit is automatically cleared, stopping operations for transmission and reception. For errors from other sources, the SPCR.SPE bit is not cleared and operations for transmission and reception continue. Renesas recommends clearing the SPCR.SPE bit to stop operations for errors other than mode-fault errors.

When an error is detected using an interrupt, clear the ICU.IELSRj.IR flag in the error processing routine. If this is not done, the ICU.IELSRj.IR flag might continue to indicate the transmit buffer empty or a receive buffer full interrupt request. If an SPIn_SPRI interrupt request is indicated, read the receive buffer and initialize the sequencer in the SPI.

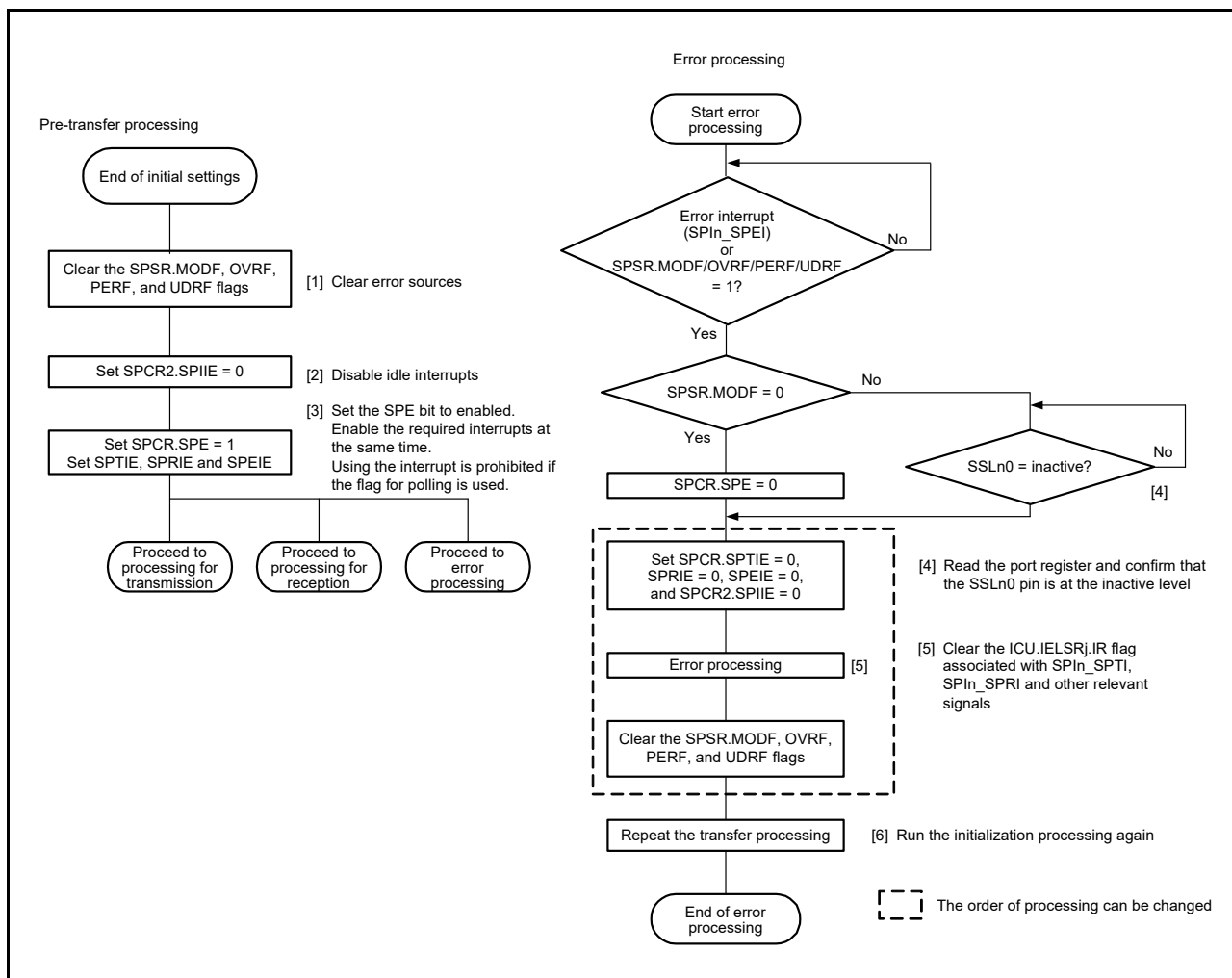


Figure 31.35 Error processing flow in master mode

31.3.10.2 Slave mode operation

(1) Starting serial transfer

When the SPCMD0.CPHA bit is 0, if the SPI detects an SSLn0 input signal assertion, it must drive valid data to the MISO_n output signal. For this reason, when the CPHA bit is 0, the assertion of the SSLn0 input signal triggers the start of a serial transfer.

When the CPHA bit is 1, if the SPI detects the first RSPCK_n edge in an SSLn0 signal asserted condition, it must drive valid data to the MISO_n output signal. For this reason, when the CPHA bit is 1, the first RSPCK_n edge in an SSLn0 signal asserted condition triggers the start of a serial transfer.

Regardless of the CPHA bit setting, the SPI drives the MISO_n output signal on SSLn0 signal assertion. The data that is output by the SPI is either valid or invalid, depending on the CPHA bit setting.

The polarity of the SSLn0 input signal depends on the setting of the SSLP.SSL0P bit. For details on the SPI transfer format, see [section 31.3.5, Transfer Format](#).

(2) Terminating serial transfer

Regardless of the SPCMD0.CPHA bit, the SPI terminates the serial transfer after detecting an RSPCK_n edge associated with the final sampling timing. When free space is available in the receive buffer (SPSR.SPRF flag is 0), on termination of a serial transfer, the SPI copies received data from the shift register to the receive buffer of the SPDR/SPDR_{HA} register. On termination of a serial transfer, the SPI changes the status of the shift register to empty, regardless of the receive buffer state. A mode fault error occurs if the SPI detects an SSLn0 input signal negation from the beginning of the serial transfer to the end of the serial transfer (see [section 31.3.8, Error Detection](#)).

The final sampling timing changes depending on the bit length of transfer data. In slave mode, the SPI data length depends on the SPCMD0.SPB[3:0] bit setting. The polarity of the SSLn0 input signal depends on the SSLP.SSL0P bit setting. For details on the SPI transfer format, see [section 31.3.5, Transfer Format](#).

(3) Notes on single-slave operations

If the SPCMD0.CPHA bit is 0, the SPI starts serial transfers when it detects the assertion edge for an SSLn0 input signal. In the configuration example shown in [Figure 31.7](#), if the SPI is in single-slave mode, the SSLn0 signal is fixed at the active state. Therefore, when the CPHA bit is set to 0, the SPI cannot correctly start a serial transfer. For the SPI to correctly execute transmit and receive operations in slave mode, when the SSLn0 input signal is fixed at the active state, the CPHA bit must be set to 1. If the application requires setting the CPHA bit to 0, the SSLn0 input signal must not be fixed.

(4) Initialization flow

[Figure 31.36](#) shows an example of initialization flow for SPI operation when the SPI is in slave mode. For information on how to set up the Interrupt Controller Unit, DMAC, and I/O ports, see the individual block descriptions.

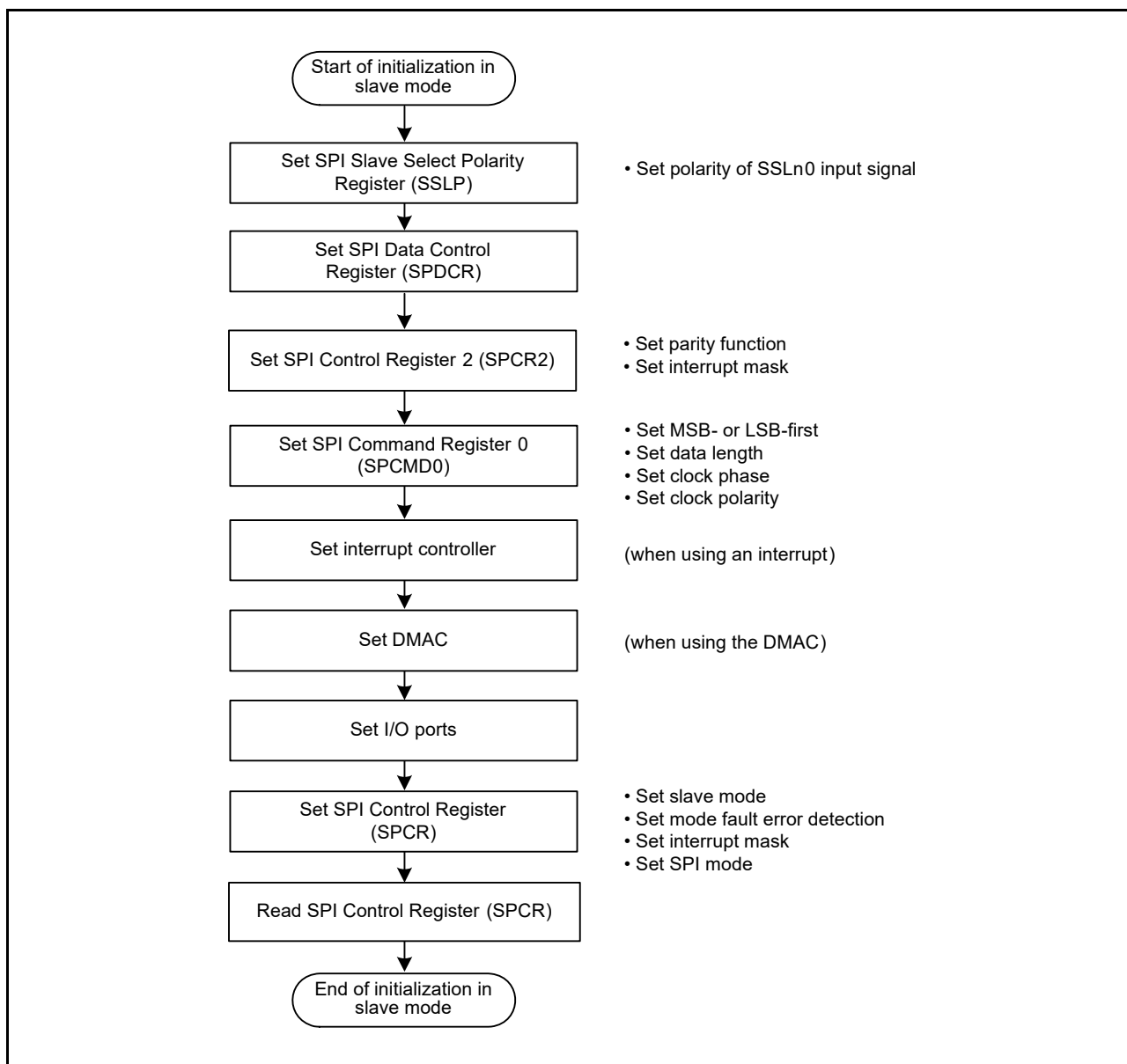


Figure 31.36 Example initialization flow in slave mode for SPI operation

(5) Software processing flow

Figure 31.37 to Figure 31.39 show example flows of software processing.

(a) Transmit processing flow

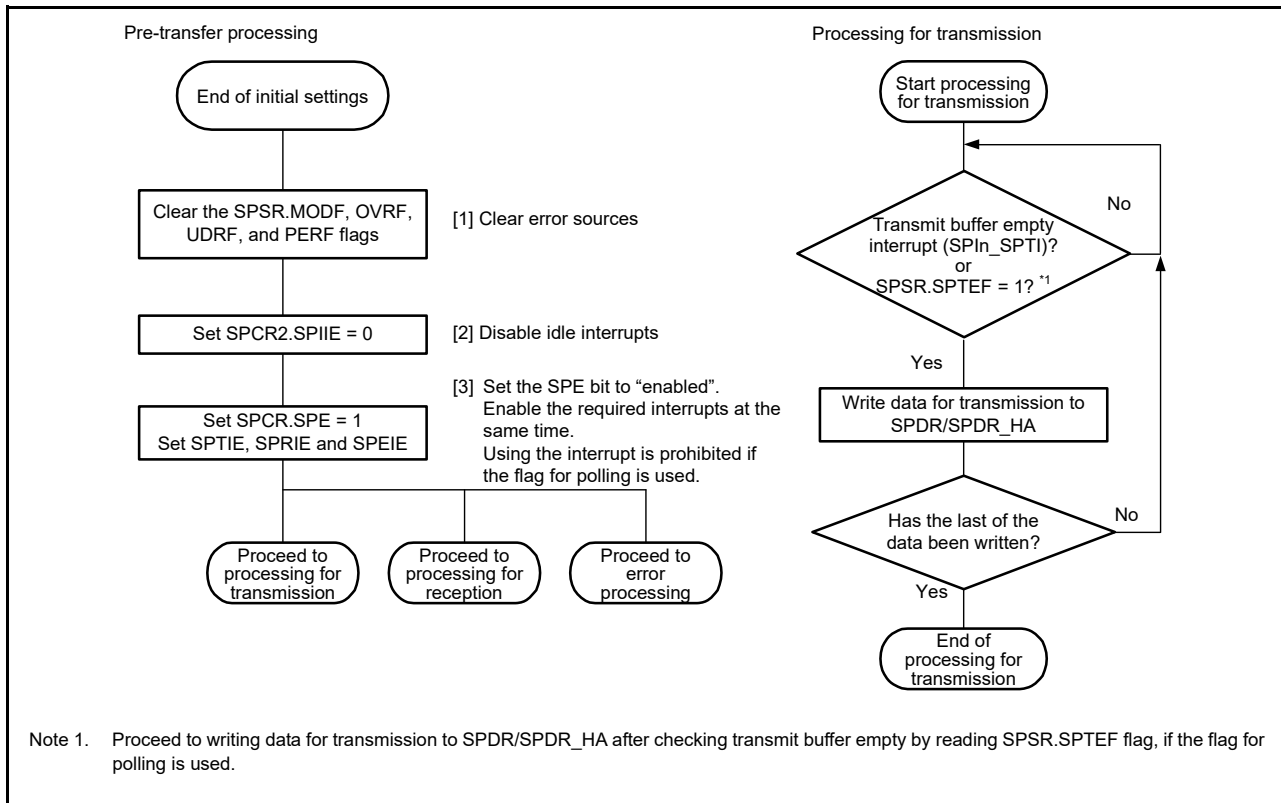


Figure 31.37 Transmission flow in slave mode

(b) Receive Processing Flow

The SPI does not handle receive-only operation, therefore processing for transmission is required.

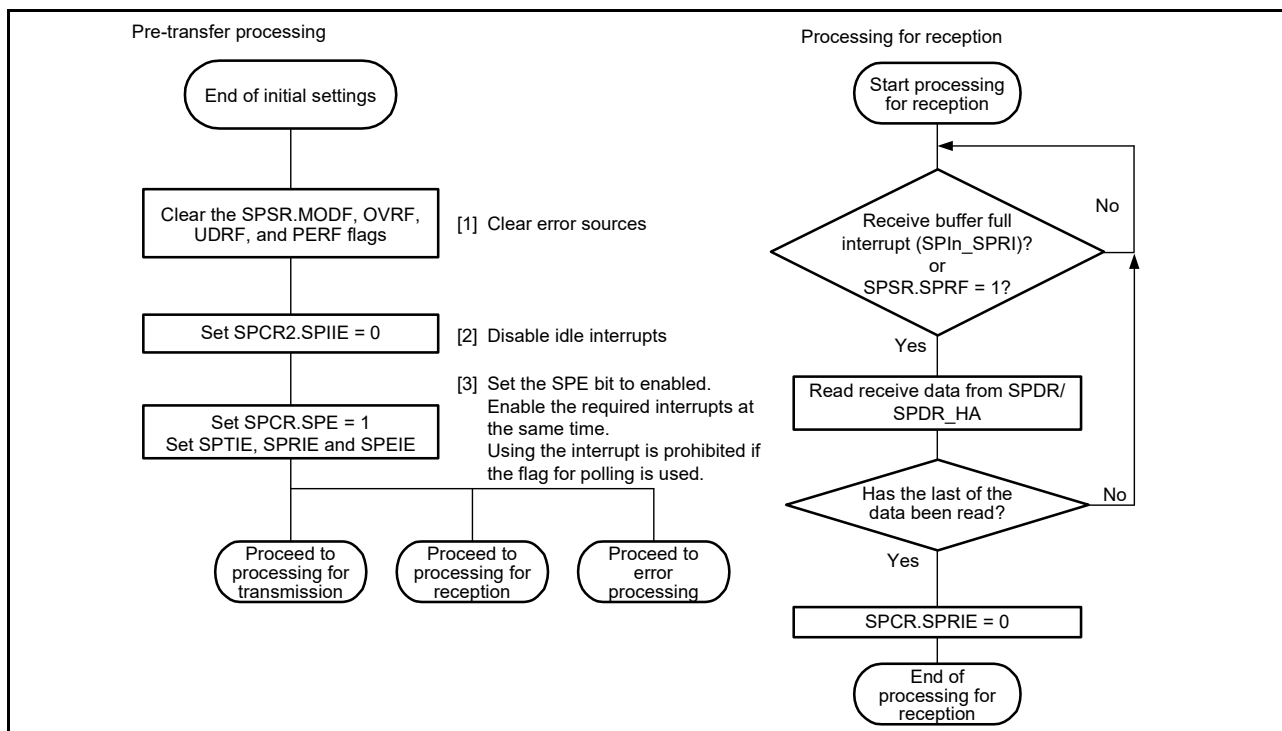


Figure 31.38 Reception flow in slave mode

(c) Error processing flow

In slave operation, even when a mode-fault error is generated, the SPSR.MODF flag can be cleared regardless of the state of the SSLn0 pin.

When an error is detected using an interrupt, clear the ICU.IELSRj.IR flag in the error processing routine. If this is not done, the ICU.IELSRj.IR flag might continue to indicate a transmit buffer empty or a receive buffer full interrupt request. If a receive buffer full request is indicated, read the receive buffer and initialize the sequencer in the SPI.

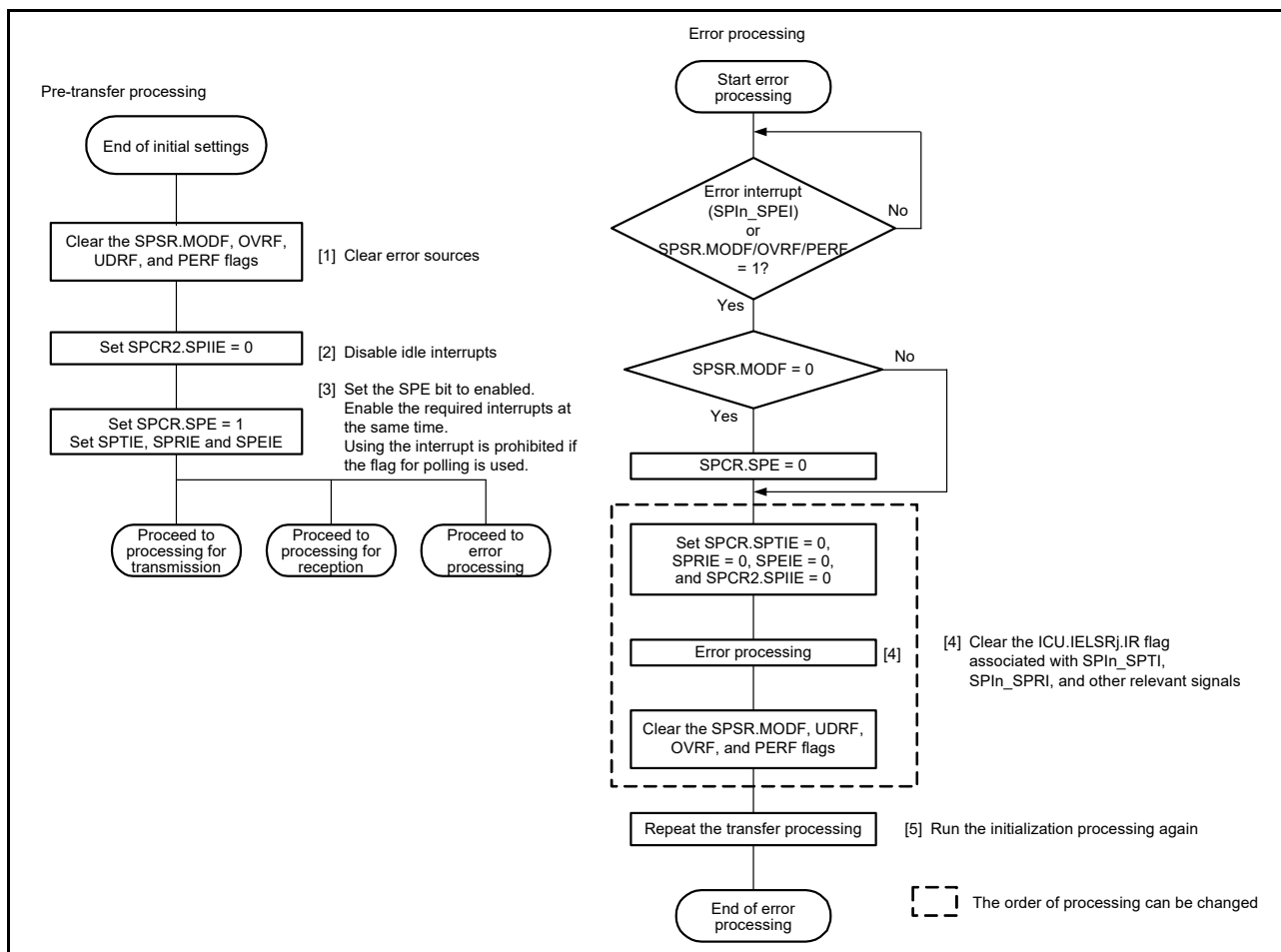


Figure 31.39 Error processing flow for slave mode

31.3.11 Clock Synchronous Operation

Setting the SPCR.SPMS bit to 1 selects clock synchronous operation of the SPI. In clock synchronous operation, the SSLn pin is not used, and the RSPCKn, MOSIn, and MISON pins handle communications. Each SSLn pin is available as an I/O port pin.

Although clock synchronous operation does not require the use of the SSLn pin, operation of the module is the same as in SPI operation. That is, in both master and slave operations, communications can be performed with the same flow, except that mode fault errors are not detected because the SSLn pin is not used.

Additionally, do not perform operation if clock synchronous operation proceeds when the SPCMD0.CPHA bit is set to 0 in slave mode (SPCR.MSTR = 0).

31.3.11.1 Master mode operation

(1) Starting serial transfer

The SPI updates the data in the transmit buffer (SPTX) of SPDR/SPDR_HA when data is written to the SPDR/SPDR_HA register with the transmit buffer being empty, the data for the next transfer is not set, and the SPSR.SPTEF flag is 1. When the shift register is empty after the data is written to the SPDR/SPDR_HA, the SPI copies data from the transmission buffer to the shift register and starts serial transmission. On copying transmit data to the shift register, the SPI changes the status of the shift register to full, and on termination of serial transfer, it changes the status of the shift register to empty. The status of the shift register cannot be referenced.

Transfer in clock synchronous operation is conducted without the SSLn0 output signal. For details on the SPI transfer format, see [section 31.3.5, Transfer Format](#).

(2) Terminating serial transfer

The SPI terminates the serial transfer after transmitting an RSPCKn edge corresponding to the sampling timing. If free space is available in the receive buffer (SPSR.SPRF flag is 0), on termination of serial transfer, the SPI copies data from the shift register to the receive buffer of the SPI data register (SPDR/SPDR_HA).

The final sampling timing varies depending on the bit length of transfer data. In master mode, the SPI data length depends on the SPCMD0.SPB[3:0] bit setting. Transfer in clock synchronous operation is conducted without the SSLn0 output signal. For details on the SPI transfer format, see [section 31.3.5, Transfer Format](#).

(3) Initialization flow

[Figure 31.40](#) shows an example of initialization flow for clock synchronous operation when the SPI is in master mode. For information on how to set up the Interrupt Controller Unit, DMAC, and I/O ports, see the individual block descriptions.

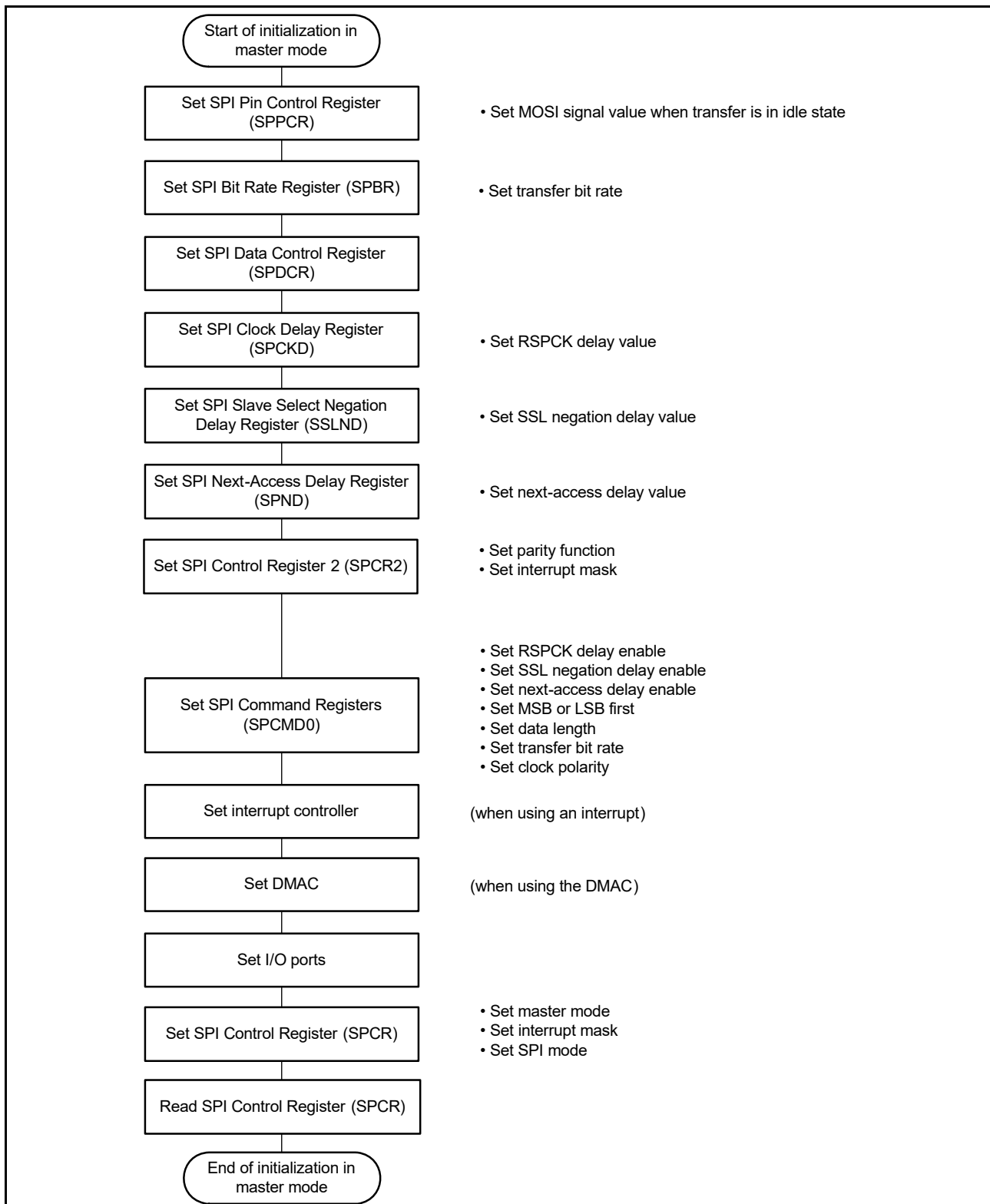


Figure 31.40 Example of initialization flow in master mode for clock synchronous operation

(4) Software processing flow

Software processing during clock synchronous master operation is the same as that for SPI master operation. For details, see [section 31.3.10.1, \(7\) Software processing flow](#).

Note: Mode fault errors are not generated in clock synchronous operation.

31.3.11.2 Slave mode operation

(1) Starting serial transfer

When the SPCR.SPMS bit is 1, the first RSPCKn edge triggers the start of a serial transfer in the SPI, and the SPI drives the MISO_n output signal.

The SSL_{n0} input signal is not used in clock synchronous operation. For details on the SPI transfer format, see [section 31.3.5, Transfer Format](#).

(2) Terminating serial transfer

SPI terminates the serial transfer after detecting an RSPCKn edge associated with the final sampling timing. When free space is available in the receive buffer (SPSR.SPRF flag is 0), on termination of a serial transfer, the SPI copies received data from the shift register to the receive buffer of the SPDR/SPDR_HA register. On termination of a serial transfer, the SPI changes the status of the shift register to empty regardless of the receive buffer. The final sampling timing changes depending on the bit length of transfer data. In slave mode, the SPI data length depends on the SPCMD0.SPB[3:0] bit setting.

For details on the SPI transfer format, see [section 31.3.5, Transfer Format](#).

(3) Initialization flow

[Figure 31.41](#) shows an example of initialization flow for clock synchronous operation when the SPI is used in slave mode. For information on how to set up the Interrupt Controller Unit, DMAC, and I/O ports, see the individual block descriptions.

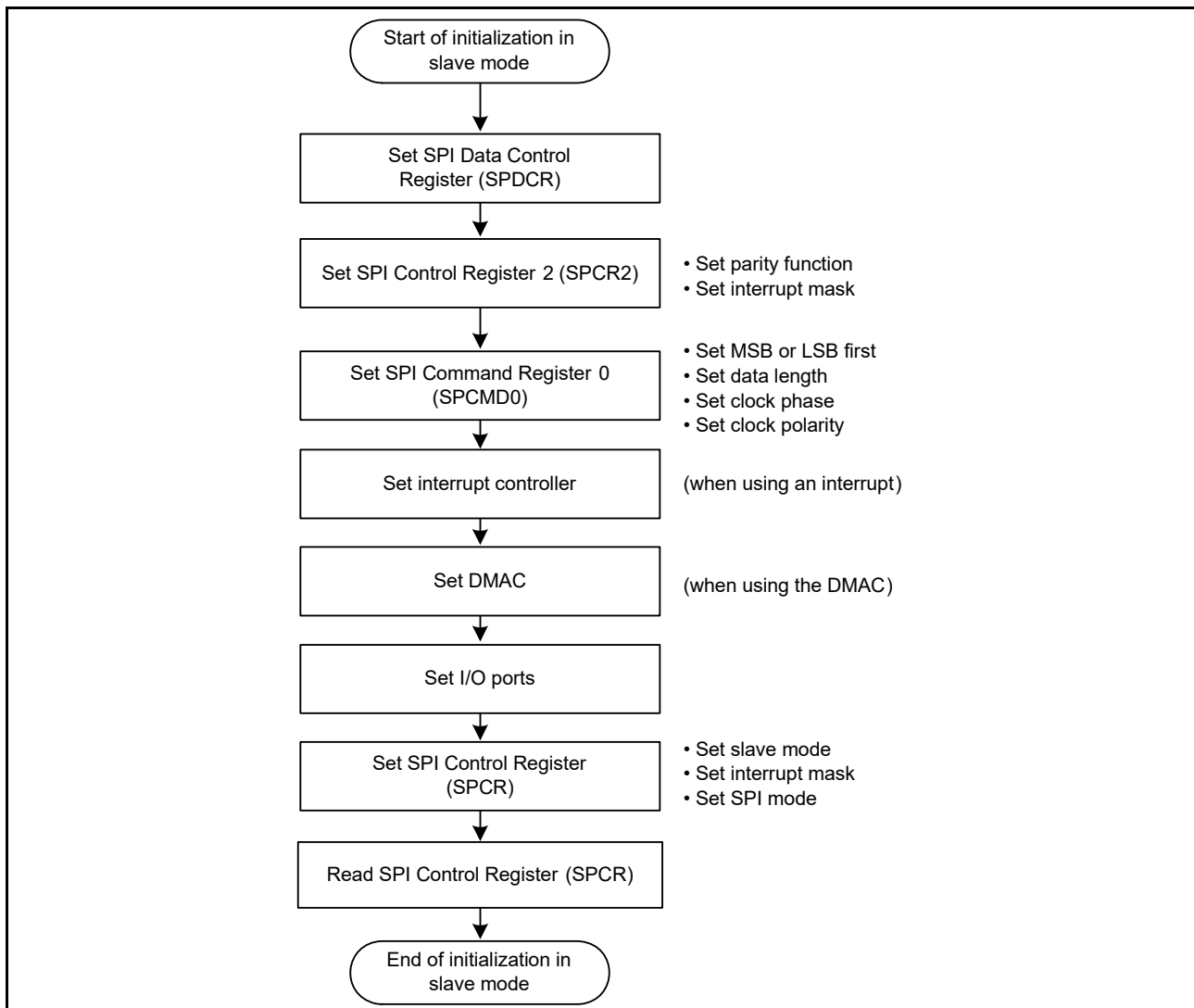


Figure 31.41 Example of initialization flow in slave mode for clock synchronous operation

(4) Software processing flow

Software processing during clock-synchronous slave operation is the same as that for SPI slave operation. For details, see [section 31.3.10.2, \(5\) Software processing flow](#).

Note: Mode fault errors are not generated in clock synchronous operation.

31.3.12 Loopback Mode

When 1 is written to the SPPCR.SPLP2 bit or SPPCR.SPLP bit, the SPI shuts off the path between the MISO pin and the shift register if the SPCR.MSTR bit is 1, and between the MOSI pin and the shift register if the SPCR.MSTR bit is 0, and connects the input path and output path of the shift register, establishing a loopback mode. The SPI does not shut off the path between the MOSI pin and the shift register if the SPCR.MSTR bit is 1, and between the MISO pin and the shift register if the SPCR.MSTR bit is 0. When a serial transfer is executed in loopback mode, the transmit data for the SPI or the reversed transmit data becomes the received data for the SPI.

[Table 31.11](#) lists the relationship between the SPLP2 and SPLP bits and the received data. [Figure 31.42](#) shows the configuration of the shift register I/O paths where the SPI in master mode is set in loopback mode (SPPCR.SPLP2 = 1, SPPCR.SPLP = 0 or 1).

Table 31.11 SLP2 and SLP bit settings and received data

| SPPCR.SLP2 bit | SPPCR.SLP bit | Received data |
|----------------|---------------|--------------------------------------------|
| 0 | 0 | Input data from the MOSIn pin or MISOn pin |
| 0 | 1 | Inverted transmit data |
| 1 | 0 | Transmit data |
| 1 | 1 | Transmit data |

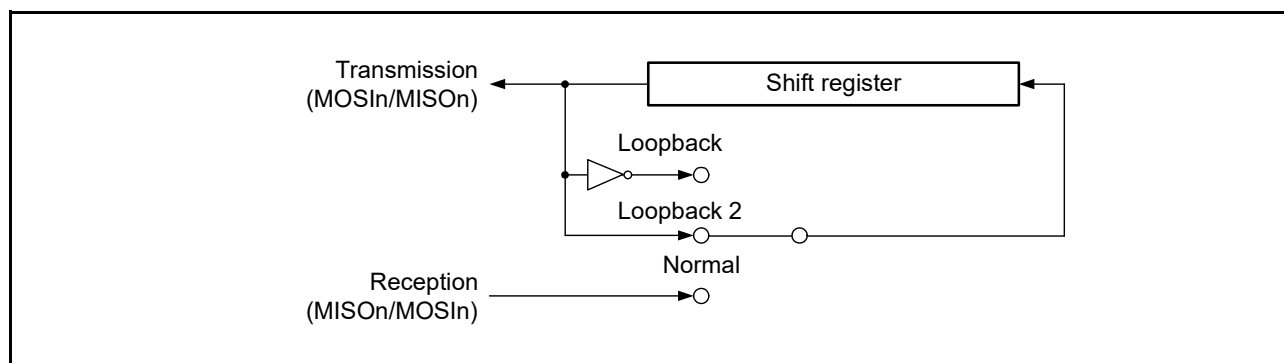


Figure 31.42 Configuration of shift register I/O paths in loopback mode for master mode

31.3.13 Self-Diagnosis of Parity Bit Function

The parity circuit consists of a parity bit adding unit used for the transmit data and an error detecting unit used for the received data. To detect defects in these units, the parity circuit performs self-diagnosis as shown in [Figure 31.43](#).

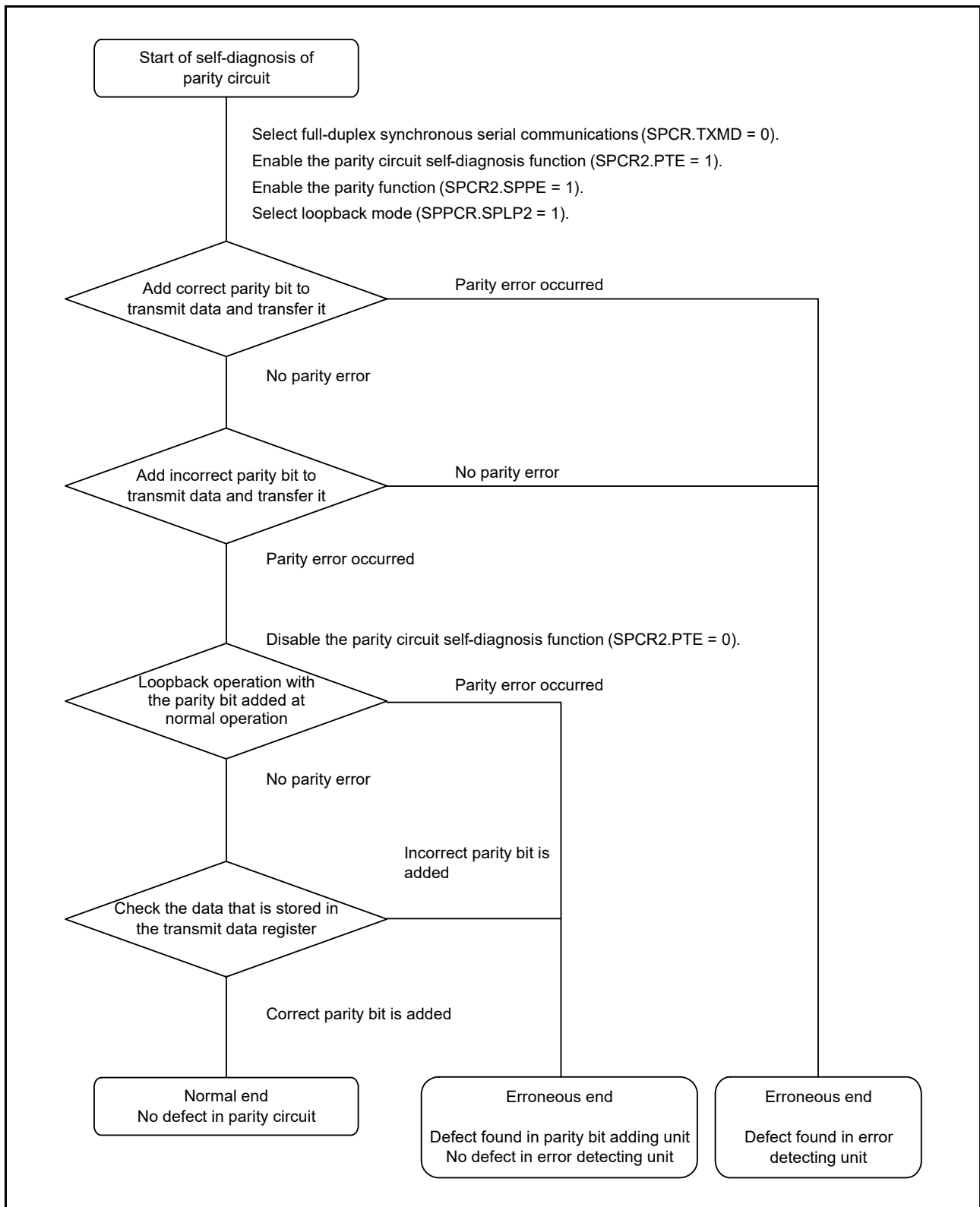


Figure 31.43 Self-diagnosis flow for parity circuit

31.3.14 Interrupt Sources

The SPI has eight interrupt sources:

- Receive buffer full
- Transmit buffer empty
- Transmission-completed
- Mode fault
- Underrun
- Overrun
- Parity error
- SPI idle.

In addition, the DTC or DMAC can be activated by the receive buffer full or transmit buffer empty interrupt to perform data transfer.

Because the vector address for SPIn_SPEI is allocated to interrupt requests on mode-fault, underrun, overrun, and parity errors, the actual interrupt source must be determined from the flags. Interrupt sources for the SPI are listed in [Table 31.12](#). An interrupt is generated on satisfaction of an interrupt condition in [Table 31.12](#). Clear the receive buffer full and transmit buffer empty sources through data transfer.

When using the DTC or DMAC to perform data transmission/reception, the DTC or DMAC must be set up first to be in a status in which transfer is enabled before making the SPI settings. For the method for setting the DTC or DMAC, see [section 16, DMA Controller \(DMAC\)](#), or [section 17, Data Transfer Controller \(DTC\)](#).

If the conditions for generating a transmit buffer empty or receive buffer full interrupt occur while the ICU.IELSRj.IR flag is 1, the interrupt is not output as a request for the ICU but is retained internally (the capacity for retention is one request per source). A retained interrupt request is output when the ICU.IELSRj.IR flag becomes 0. A retained interrupt request is automatically discarded when it is output as an actual interrupt request. The interrupt enable bit (the SPCR.SPTIE or SPCR.SPRIE bit) for an internally retained interrupt request can also be cleared to 0.

Table 31.12 SPI interrupt sources

| Interrupt source | Symbol | Interrupt condition | DMAC/DTC activation |
|--------------------------------------------------------------|-------------|--------------------------------------------------------------------------------------------------------------------------------------------------------------------------------------------|---------------------|
| Receive buffer full | SPIn_SPRI | The receive buffer becomes full (SPSR.SPRF flag is 1) while the SPCR.SPRIE bit is 1 | Possible |
| Transmit buffer empty | SPIn_SPTI | The transmit buffer becomes empty (SPSR.SPTEF flag is 1) while the SPCR.SPTIE bit is 1 | Possible |
| SPI errors (mode fault, underrun, overrun, and parity error) | SPIn_SPEI | The SPSR.MODF, OVRF, PERF, or UDRF flag is set to 1 while the SPCR.SPEIE bit is 1 | Impossible |
| SPI idle | SPIn_SPII | The SPSR.IDLNF flag is set to 0 while the SPCR2.SPIIE bit is 1 | Impossible |
| Transmission-completed | SPIn_SPTEND | In master mode, an interrupt is generated when the IDLNF flag (SPI idle flag) changes from 1 to 0. In slave mode, an interrupt occurs on conditions shown in Table 31.14 . | Impossible |

31.4 Event Link Operation

The Event Link Controller (ELC) can produce the following event output signals:

- Receive buffer full event output
- Transmit buffer empty event output
- Mode fault, underrun, overrun, or parity error event output
- SPI idle event output

- Transmission-completed event output.

The event link output signal is output regardless of the interrupt enable bit setting.

31.4.1 Receive Buffer Full Event Output

This event signal is output when received data is transferred from the shift register to the SPDR/SPDR_HA on completion of a serial transfer.

31.4.2 Transmit Buffer Empty Event Output

This event signal is output when data for transmission is transferred from the transmission buffer to the shift register and when the value of the SPE bit changes from 0 to 1.

31.4.3 Mode Fault, Underrun, Overrun, or Parity Error Event Output

This event signal is output when mode fault, underrun, overrun or parity error is detected. See [section 31.5.4, Constraint on Mode Fault, Underrun, Overrun, or Parity Error Event Output](#) if using this event signal.

(1) Mode fault

[Table 31.13](#) lists the conditions for occurrence of a mode fault event.

Table 31.13 Conditions for occurrence of mode fault

| Condition | SPCR.MODFEN bit | SSLn0 pin | Remark |
|-------------------------------------------------------|-----------------|------------|----------------------------------------------------------------------|
| SPI operation (SPMS = 0) Slave (SPCR.MSTR bit = 0) | 1 | Not active | Event is output only when the pin is deactivated during transmission |

(2) Underrun

This event signal is output in response to an underrun when a serial transfer starts while the transmission data is not ready, and the value of the SPCR.MSTR bit is 0 and the SPCR.SPE bit is 1. Under these conditions, the MODF and UDRF flags are set to 1.

(3) Overrun

This event signal is output in response to an overrun when a serial transfer completes while the reception buffer contains unread data, and the value of the SPCR.TXMD bit is 0. Under these conditions, the OVRF flag is set to 1.

(4) Parity error

This event signal is output in response to a parity error detected on completion of a serial transfer while the value of the TXMD bit in SPCR is 0 and the value of the SPPE bit in SPCR2 is 1.

31.4.4 SPI Idle Event Output

(1) In master mode

In master mode, an event is output when the condition for setting the IDLNF flag (SPI idle flag) to 0 is satisfied.

(2) In slave mode

In slave mode, an event is output when the SPCR.SPE bit is set to 0 (SPI is initialized).

31.4.5 Transmission-Completed Event Output

During both SPI operation and clock synchronous operations in master mode, an event is output when the IDLNF flag (SPI idle flag) changes from 1 to 0.

Table 31.14 Conditions for generation of transmission-completed event in slave mode

| Mode of operation | Transmit buffer state | Shift register state | Others |
|----------------------------------------|-----------------------|----------------------|-----------------------------------|
| SPI operation (SPMS = 0) | Empty | Empty | Negation of SSLn0 input |
| Clock synchronous operation (SPMS = 1) | Empty | Empty | Edge detection of the last RSPCKn |

Whether the operation is in master mode or slave mode, an event is not output if 0 is written to the SPCR.SPE bit in transmission or the SPCR.SPE bit is cleared by the mode-fault error or underrun error.

31.5 Usage Notes

31.5.1 Settings for the Module-Stop State

The Module-Stop Control Register B (MSTPCRB) can enable or disable SPI operation. The SPI is initially stopped after a reset. The registers become accessible on release from the module-stop state. For details on the Module Stop Control Register B, see [section 10, Low Power Modes](#).

31.5.2 Constraint on Low Power Consumption Functions

When using the module-stop function and entering a low-power consumption mode other than Sleep mode, set the SPCR.SPE bit to 0 before completing communication.

31.5.3 Constraint on Starting Transfer

If the ICU.IELSRj.IR flag is 1 at the start of transfer, an interrupt request is internally saved after transfer starts, and this can lead to unanticipated behavior of the ICU.IELSRj.IR flag. To prevent this, use the following procedure to clear the interrupt requests before enabling operations (by setting the SPCR.SPE bit to 1).

1. Confirm that transfer stopped (the SPCR.SPE bit is 0).
2. Set the relevant interrupt enable bit (the SPCR.SPTIE or SPCR.SPRIE bit) to 0.
3. Read the relevant interrupt enable bit (the SPCR.SPTIE or SPCR.SPRIE bit) and confirm that its value is 0.
4. Set the ICU.IELSRj.IR flag to 0.

31.5.4 Constraint on Mode Fault, Underrun, Overrun, or Parity Error Event Output

Using the mode fault, underrun, overrun, or parity error event is prohibited if the SPI is in multi-master mode (the SPCR.SPMS bit is 0, SPCR.MSTR bit is 1, and SPCR.MODFEN bit is 1).

31.5.5 Constraint on SPRF/SPTEF Flag

If the polling flags, SPRF and SPTEF, are used, using an interrupt is prohibited, and you must set the SPCR.SPRIE and SPCR.SPTIE bits to 0. Either the interrupt or the flag can be used, but not both.

32. Cyclic Redundancy Check (CRC) Calculator

32.1 Overview

The Cyclic Redundancy Check (CRC) calculator generates CRC codes to detect errors in the data. The bit order of CRC calculation results can be switched for LSB-first or MSB-first communication. Additionally, various CRC generation polynomials are available. The snoop function allows monitoring of reads from and writes to specific addresses. This function is useful in applications that require CRC code to be generated automatically in certain events, such as monitoring writes to the serial transmit buffer and reads from the serial receive buffer.

Table 32.1 lists the specifications of the CRC calculator and Figure 32.1 shows the block diagram.

Table 32.1 CRC calculator specifications

| Parameter | Description | |
|----------------------------|---------------------------------------------------------------------------------------------------------------------------------------------------------------------------------------------------------|---------------------------------------------------------------------------------------------------------------------------------------------------------------------------------------------------------------------------------------------------------------------------------------------------------------------------------------------------------------|
| Data size | 8-bit | 32-bit |
| Data for CRC calculation*1 | CRC code generated for any desired data in 8n-bit units (where n is a whole number) | CRC code generated for data in 32n-bit units (where n is a whole number) |
| CRC processor unit | Operation executed on 8 bits in parallel | Operation executed on 32 bits in parallel |
| CRC generating polynomial | One of three generating polynomials selectable [8-bit CRC]: • $X^8 + X^2 + X + 1$ (CRC-8) [16-bit CRC] • $X^{16} + X^{15} + X^2 + 1$ (CRC-16) • $X^{16} + X^{12} + X^5 + 1$ (CRC-CCITT). | One of two generating polynomials selectable [32-bit CRC]: • $X^{32} + X^{26} + X^{23} + X^{22} + X^{16} + X^{12} + X^{11} + X^{10} + X^8 + X^7 + X^5 + X^4 + X^2 + X + 1$ (CRC-32) • $X^{32} + X^{28} + X^{27} + X^{26} + X^{25} + X^{23} + X^{22} + X^{20} + X^{19} + X^{18} + X^{14} + X^{13} + X^{11} + X^{10} + X^9 + X^8 + X^6 + 1$ (CRC-32C). |
| CRC calculation switching | The bit order of CRC calculation results can be switched for LSB-first or MSB-first communication | |
| Module-stop function | Module-stop state can be set to reduce power consumption | |
| CRC snoop | Monitor reads from and writes to a certain register address | - |

Note 1. The circuit cannot divide data used in CRC calculations. Write data in 8-bit or 32-bit units.

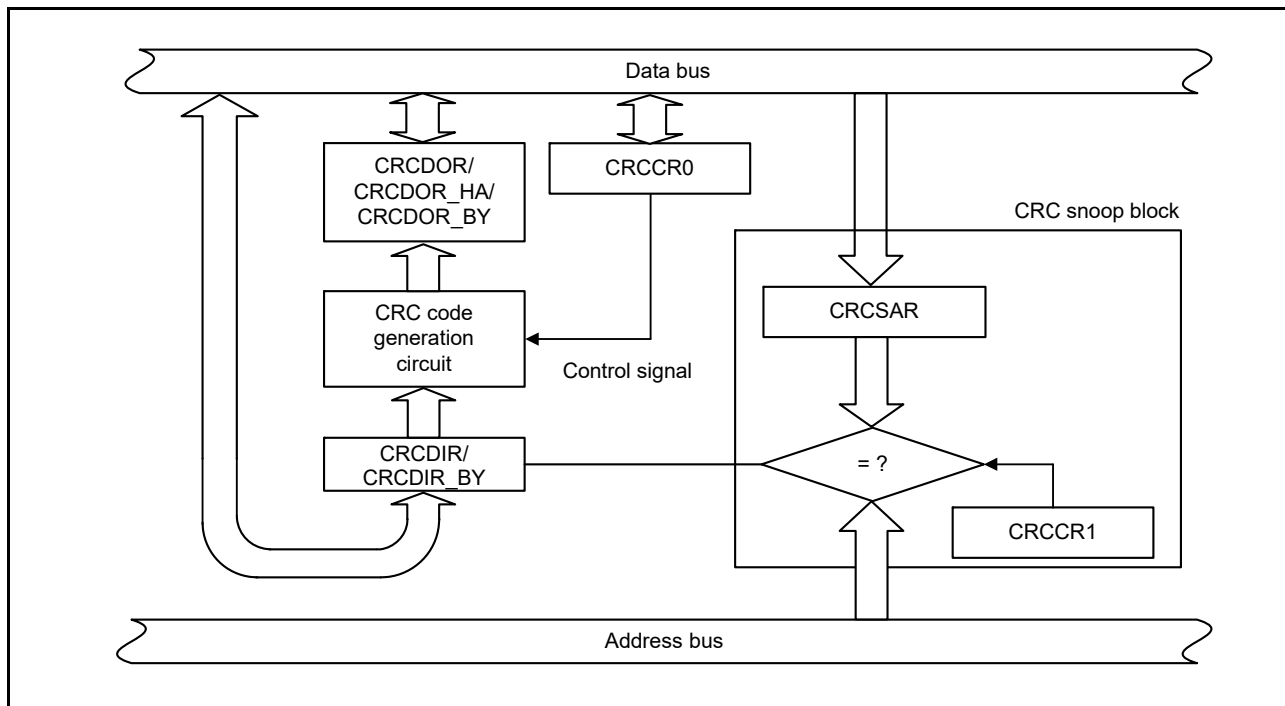
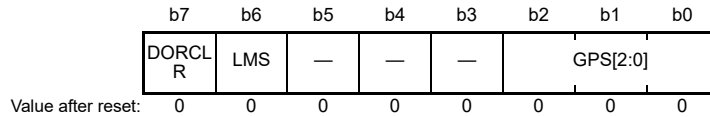


Figure 32.1 CRC calculator block diagram

32.2 Register Descriptions

32.2.1 CRC Control Register 0 (CRCCR0)

Address(es): CRC.CRCCR0 4007 4000h



| Bit | Symbol | Bit name | Description | R/W |
|----------|----------|-------------------------------------------|------------------------------------------------------------------------------------------------------------------------------------------------------------------------------------------------------------------------------------------------------------------------------------------------------------------------------------------------------------------------------------------------------------------------------------------------------------------------------------------------------------------------------------------------------------------------------|-----|
| b2 to b0 | GPS[2:0] | CRC Generating Polynomial Switching | b2 b0 0 0 0: No calculation is executed 0 0 1: 8-bit CRC-8 ($X^8 + X^2 + X + 1$) 0 1 0: 16-bit CRC-16 ($X^{16} + X^{15} + X^2 + 1$) 0 1 1: 16-bit CRC-CCITT ($X^{16} + X^{12} + X^5 + 1$) 1 0 0: 32-bit CRC-32 ($X^{32} + X^{26} + X^{23} + X^{22} + X^{16} + X^{12} + X^{11} + X^{10} + X^8 + X^7 + X^5 + X^4 + X^2 + X + 1$) 1 0 1: 32-bit CRC-32C ($X^{32} + X^{28} + X^{27} + X^{26} + X^{25} + X^{23} + X^{22} + X^{20} + X^{19} + X^{18} + X^{14} + X^{13} + X^{11} + X^{10} + X^9 + X^8 + X^6 + 1$) Other: No calculation is executed. | R/W |
| b5 to b3 | — | Reserved | These bits are read as 0. The write value should be 0. | R/W |
| b6 | LMS | CRC Calculation Switching | 0: Generates CRC for LSB-first communication 1: Generates CRC for MSB-first communication. | R/W |
| b7 | DORCLR | CRCDOR/CRCDOR_HA/CRCDOR_BY Register Clear | 1: Clears the CRCDOR/CRCDOR_HA/CRCDOR_BY register. This bit is read as 0. | W*1 |

Note 1. Always set this bit to 1 when writing to this register.

GPS[2:0] bits (CRC Generating Polynomial Switching)

Set the GPS[2:0] bits to select the CRC Generating Polynomial.

LMS bit (CRC Calculation Switching)

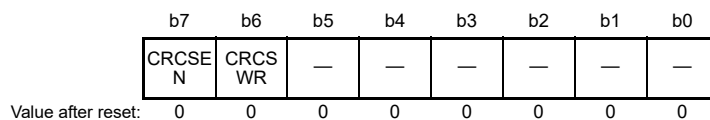
Set the LMS bit to select the bit order of the generated CRC code. Transmit the lower byte of the CRC code first for LSB-first communication and the upper byte first for MSB-first communication. For details on transmitting and receiving CRC code, see [section 32.3, Operation](#).

DORCLR bit (CRCDOR/CRCDOR_HA/CRCDOR_BY)

Write 1 to the DORCLR bit to set the CRCDOR/CRCDOR_HA/CRCDOR_BY register to 0000 0000h. This bit is read as 0. Only 1 can be written to it.

32.2.2 CRC Control Register 1 (CRCCR1)

Address(es): CRC.CRCCR1 4007 4001h



| Bit | Symbol | Bit name | Description | R/W |
|----------|--------|----------------------------|--------------------------------------------------------|-----|
| b5 to b0 | — | Reserved | These bits are read as 0. The write value should be 0. | R/W |
| b6 | CRCSWR | Snoop-On-Write/Read Switch | 0: Snoop-on-read 1: Snoop-on-write. | R/W |

| Bit | Symbol | Bit name | Description | R/W |
|-----|--------|--------------|----------------------------|-----|
| b7 | CRCSEN | Snoop Enable | 0: Disabled 1: Enabled. | R/W |

CRCSWR bit (Snoop-On-Write/Read Switch)

The CRCSWR bit selects the direction of the access in the address monitoring function.

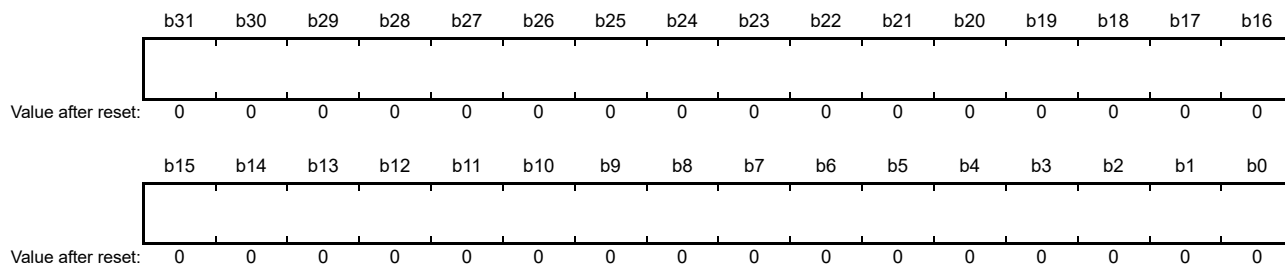
When this bit is set to 0 (initial value), the CRC snoop operation to read a specific register address is selected. When this bit is set to 1, the CRC snoop operation to write a specific register address is selected.

CRCSEN bit (Snoop Enable)

When the CRCSEN bit is set to 1, the CRC snoop operation is enabled. When this bit is set to 0, the CRC snoop operation is disabled.

32.2.3 CRC Data Input Register (CRCDIR/CRCDIR_BY)

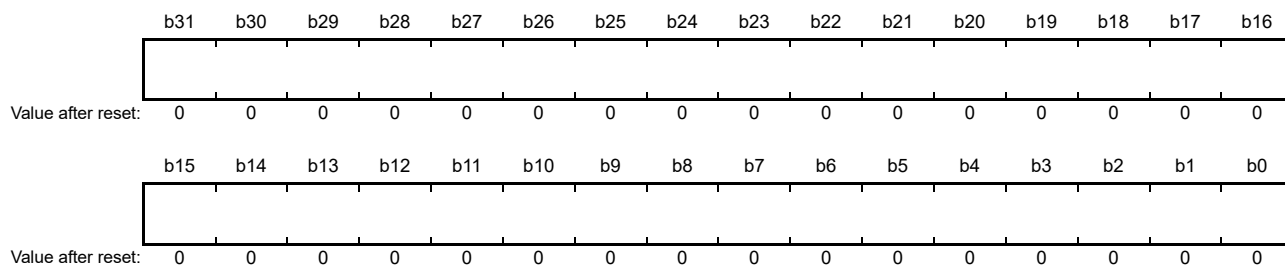
Address(es): CRC.CRCDIR/CRCDIR_BY 4007 4004h



The CRCDIR register is a read/write 32-bit register to write data for CRC-32 or CRC-32C calculation. The CRCDIR_BY register is a read/write 8-bit register to write data for CRC-8, CRC-16, or CRC-CCITT calculation.

32.2.4 CRC Data Output Register (CRCDOR/CRCDOR_HA/CRCDOR_BY)

Address(es): CRC.CRCDOR/CRCDOR_HA/CRCDOR_BY 4007 4008h



The CRCDOR register is a read/write 32-bit register for CRC-32 or CRC-32C calculation.

The CRCDOR_HA register is a read/write 16-bit register for CRC-16 or CRC-CCITT calculation.

The CRCDOR_BY register is a read/write 8-bit register for CRC-8 calculation.

Because its initial value is 0000 0000h, rewrite the CRCDOR/CRCDOR_HA/CRCDOR_BY register to perform the calculations using a value other than the initial value.

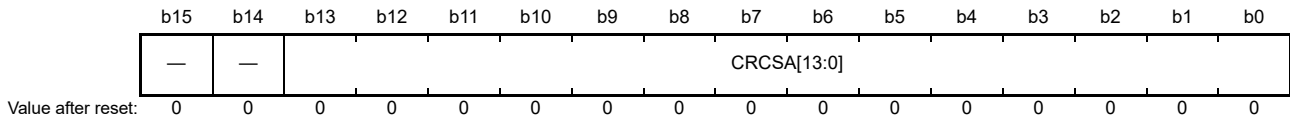
Data written to the CRCDIR/CRCDIR_BY register is CRC calculated and the result is stored in the CRCDOR/CRCDOR_HA/CRCDOR_BY register. If the CRC code is calculated following transferred data and the result is 0000 0000h, there is no CRC error.

When an 8-bit CRC ($X^8 + X^2 + X + 1$ polynomial) is in use, the valid CRC code is obtained in CRCDOR_BY.

When a 16-bit CRC ($X^{16} + X^{15} + X^2 + 1$ or $X^{16} + X^{12} + X^5 + 1$ polynomial) is in use, the valid CRC code is obtained in CRCDOR_HA.

32.2.5 Snoop Address Register (CRCSAR)

Address(es): CRC.CRCSAR 4007 400Ch



| Bit | Symbol | Bit Name | Description | R/W |
|-----------|-------------|------------------------|--------------------------------------------------------|-----|
| b13 to b0 | CRCSA[13:0] | Register Snoop Address | Set the TDR or RDR address in the SCI module to Snoop | R/W |
| b15, b14 | — | Reserved | These bits are read as 0. The write value should be 0. | R/W |

CRCSA[13:0] bits (Register Snoop Address)

The CRCSA[13:0] bits specify the lower 14 bits of the register address monitored by the CRC snoop operation.

Only the following addresses can be used for the CRCSA[13:0] bits:

- 4007 0003h: SCI0.TDR, 4007 0005h: SCI0.RDR
- 4007 0023h: SCI1.TDR, 4007 0025h: SCI1.RDR
- 4007 0043h: SCI2.TDR, 4007 0045h: SCI2.RDR
- 4007 0123h: SCI9.TDR, 4007 0125h: SCI9.RDR
- 4007 000Fh: SCI0.FTDRL, 4007 0011h: SCI0.FRDL
- 4007 002Fh: SCI1.FTDRL, 4007 0031h: SCI1.FRDL

32.3 Operation

32.3.1 Basic Operation

The CRC calculator generates CRC codes for use in LSB-first or MSB-first transfer.

The following examples illustrate CRC code generation for input data (F0h) using the 16-bit CRC-CCITT generating polynomial ($X^{16} + X^{12} + X^5 + 1$). In these examples, the value of the CRC Data Output Register (CRCDOR_HA) is cleared before CRC calculation.

When an 8-bit CRC (with the polynomial $X^8 + X^2 + X + 1$) is in use, the valid bits of the CRC code are obtained in CRCDOR_BY. When a 32-bit CRC is in use, the valid bits of the CRC code are obtained in CRCDOR.

Figure 32.2 and Figure 32.3 show the LSB-first and MSB-first data transmission examples respectively. Figure 32.4 and Figure 32.5 show the LSB-first and MSB-first data reception examples.

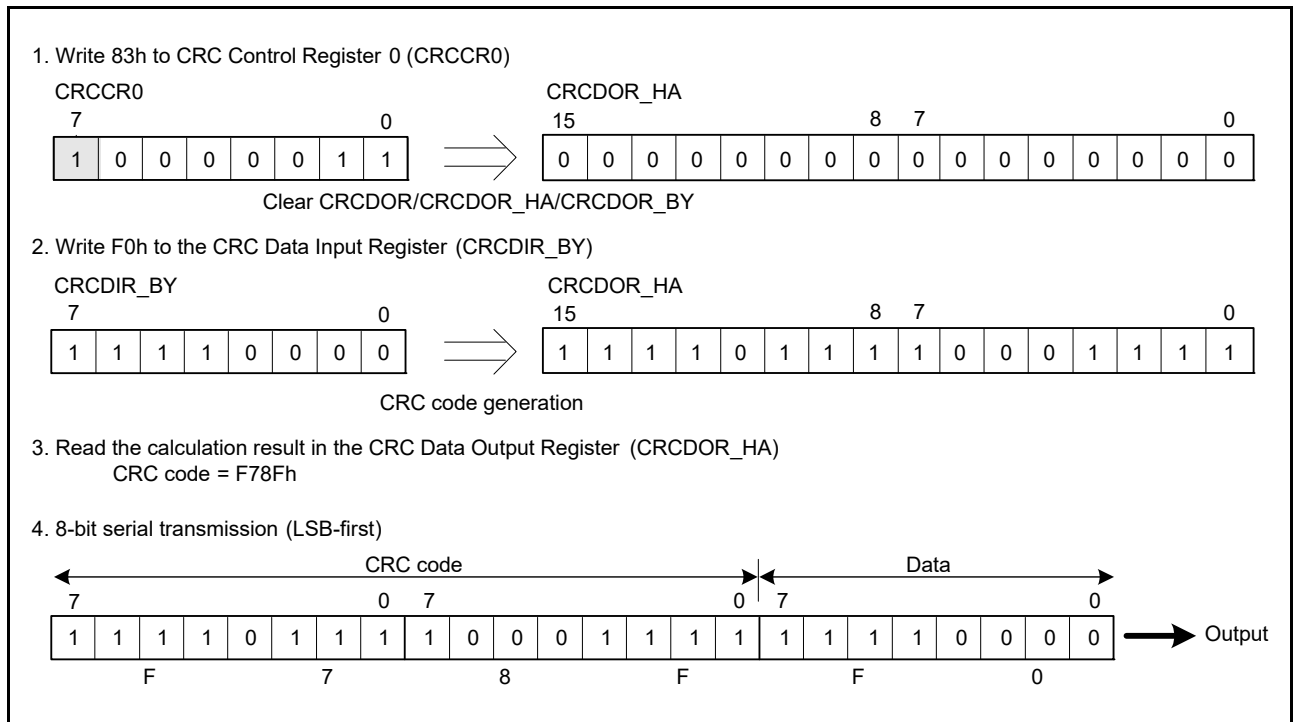


Figure 32.2 LSB-first data transmission

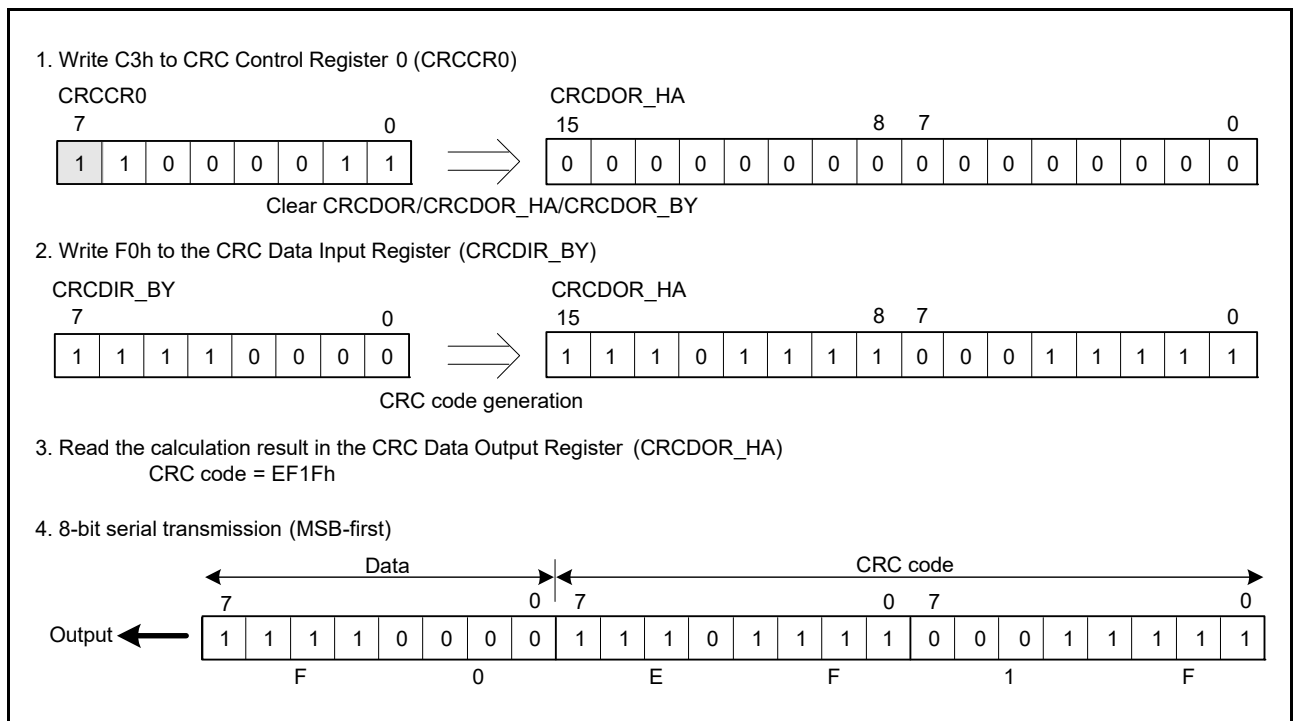


Figure 32.3 MSB-first data transmission

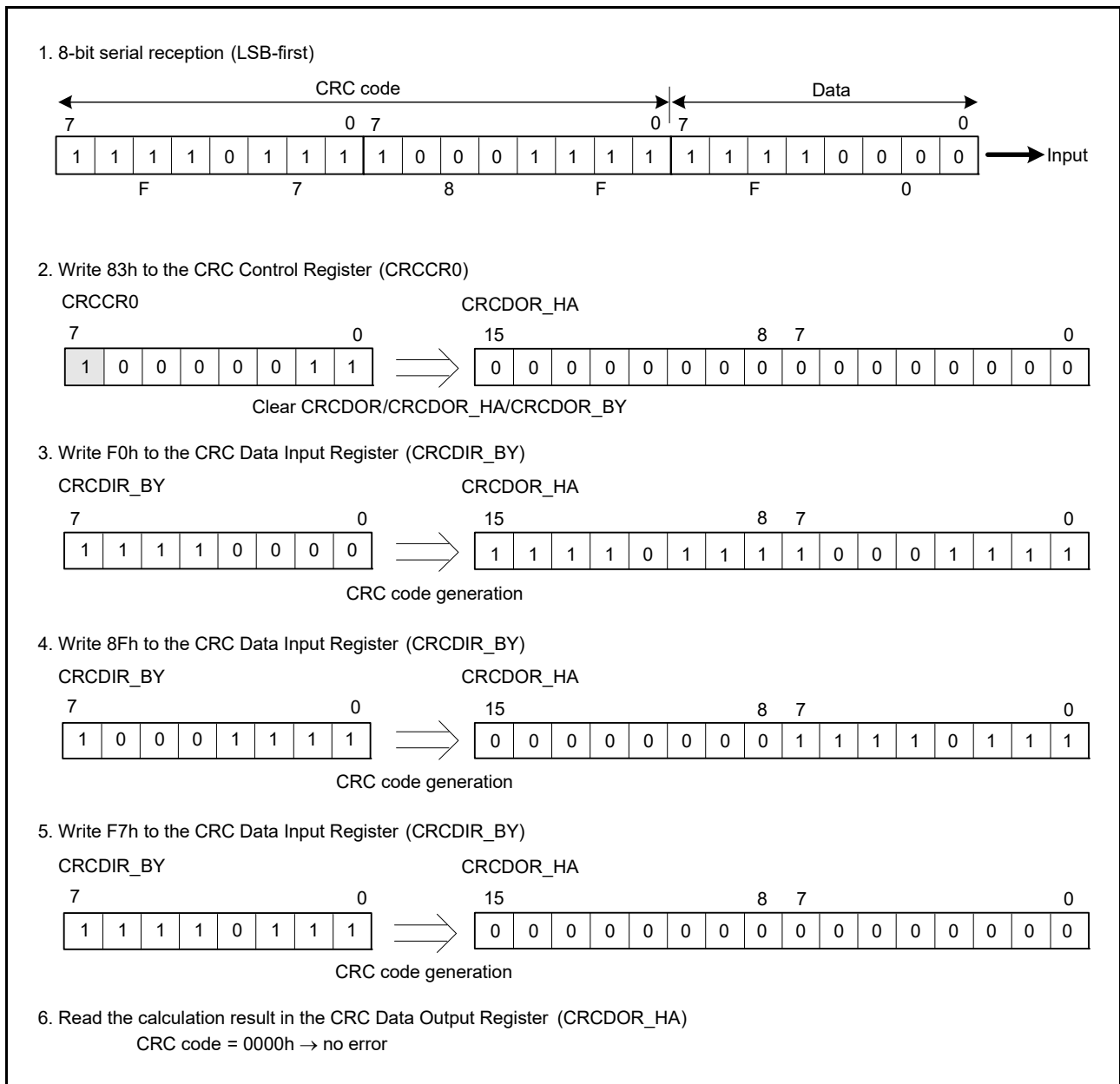


Figure 32.4 LSB-first data reception

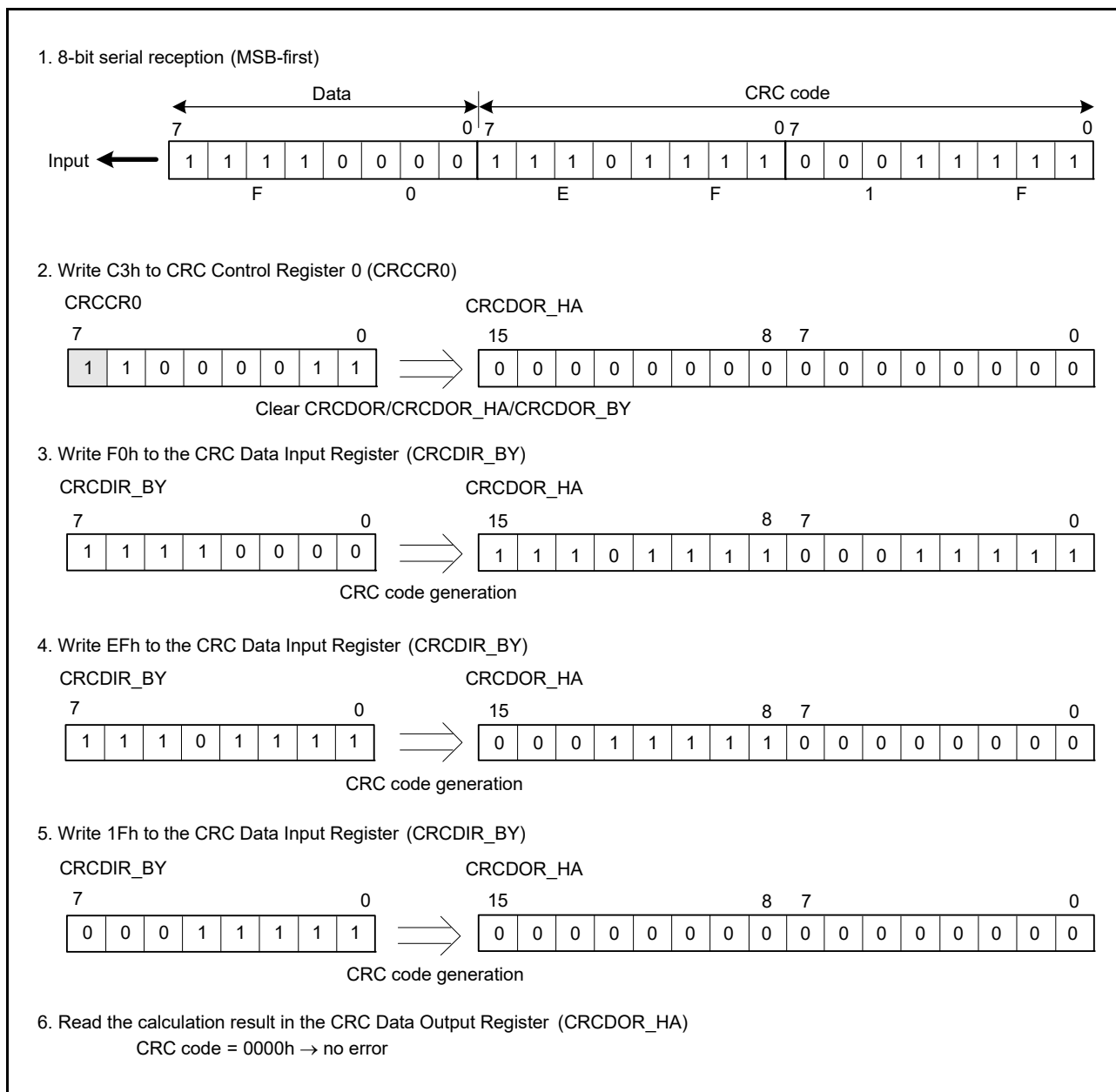


Figure 32.5 MSB-first data reception

32.3.2 CRC Snoop

The CRC snoop function monitors reads from and writes to a specific register address and performs CRC calculation on the data read from and written to that register address automatically. Because the CRC snoop recognizes writes to and reads from a specific register address as a trigger to automatically perform CRC calculations, there is no need to write data to the CRCDIR_BY register. All I/O register addresses specified in the Snoop Address Register (CRCSAR) are subject to the CRC snoop. The CRC snoop is useful in monitoring writes to the serial transmit buffer, and reads from the serial receive buffer.

To use this function, write a target I/O register address to bits CRCSA13 to CRCSA0 in the CRCSAR register, and set the CRCSEN bit in the CRCCR1 register to 1. Then, set the CRCSWR bit in the CRCCR1 register to 1 to enable snooping on writes to the target address, or set the CRCSWR bit in the CRCCR1 register to 0 to enable snooping on reads from the target address.

When setting the CRCSEN bit to 1, CRCSWR bit to 1, and writing data to a target I/O register address in a bus master module such as the CPU, DMA, and DTC, the CRC calculator stores the data in the CRCDIR_BY register and performs CRC calculations. Similarly, when setting the CRCSEN bit to 1, the CRCSWR bit to 0, and reading data in a target I/O

register address in a bus master module such as the CPU, DMA, and DTC, the CRC calculator stores the data in the CRCDIR_BY register and performs CRC calculations.

CRC calculation is performed 1 byte at a time. When the target I/O register address is accessed in words (16 bits) or long words (32 bits), the CRC code is generated on the lower 1 byte of data.

32.4 Usage Notes

32.4.1 Module-Stop State Setting

Operation of the CRC calculator can be disabled or enabled using the Module Stop Control Register C (MSTPCRC). After a reset, the CRC is in the module-stop state. Register access is enabled by releasing the module-stop state. For details, see [section 10, Low Power Modes](#).

32.4.2 Notes on Transmission

The sequence of transmission for the CRC code differs based on whether the transmission is LSB-first or MSB-first. [Figure 32.6](#) shows an LSB-first and MSB-first data transmission.

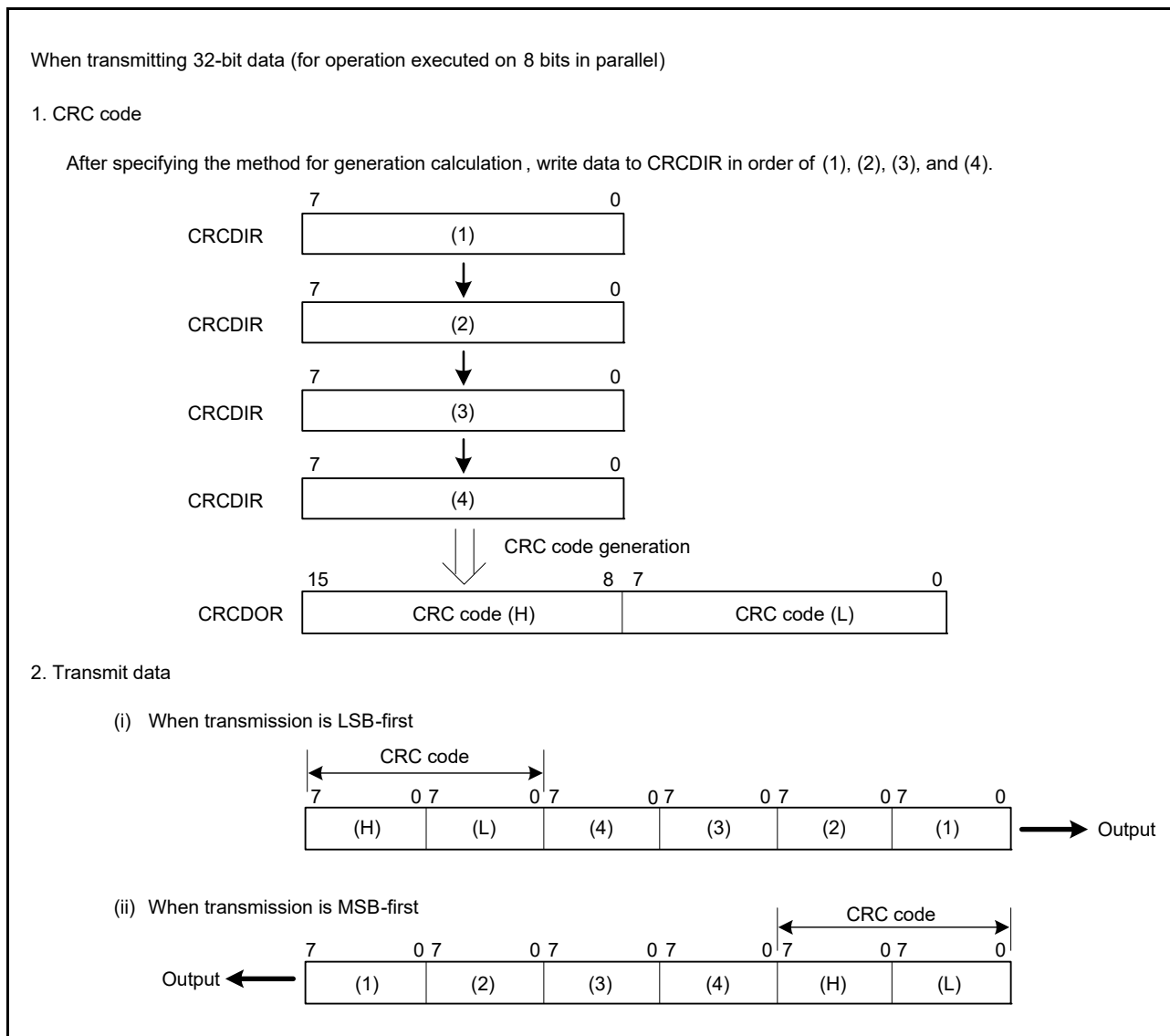


Figure 32.6 LSB-first and MSB-first data transmission

33. Serial Sound Interface Enhanced (SSIE)

33.1 Overview

The Serial Sound Interface Enhanced (SSIE) can transmit and receive audio data to and from multiple devices that support different audio data formats, such as the I²S, and monaural formats.

Table 33.1 lists the SSIE specifications, and Table 33.2 defines the communication format terms. Figure 33.1 shows the communication format, Figure 33.2 shows the block diagram, and Figure 33.3 shows the clock configuration.

33.2 SSIE Specifications

Table 33.1 SSIE specifications

| Parameter | | Description |
|----------------------------------------------------|----------------------|-------------------------------------------------------------------------------------------------------------------------------------------------------------------------------------------------------------------------------------------------------------------------------------------------------------------------------------------------------------------------------------------------------|
| Number of channels | | One channel, SSIE0 |
| Communication mode | | <ul style="list-style-type: none"> Master or slave Transmission and reception(full-duplex communication). |
| Communication format | | <ul style="list-style-type: none"> I²S format Monaural format. |
| Serial data | | <ul style="list-style-type: none"> MSB-first Left-justified or right-justified data Data delay (1 clock cycle) or no delay selectable for the period from SSILRCK/SSIFS to SSITXD0/SSIRXD0 System word length: 8, 16, 24, 32, 48, 64, 128, or 256 bits Data word length: 8, 16, 18, 20, 22, 24, or 32 bits Padding polarity: Low or high. |
| Bit clock (SSIBCK) | In master mode | <ul style="list-style-type: none"> Two clock sources: AUDIO_CLK, GTIOC1A (GPT output) Clock source division ratio: 1/1, 1/2, 1/4, 1/6, 1/8, 1/12, 1/16, 1/24, 1/32, 1/48, 1/64, 1/96, and 1/128 Supply or stop selectable while communication is halted. |
| | In master/slave mode | Polarity (rising edge or falling edge) selectable |
| LR clock/frame synchronization (SSILRCK/SSIFS) | In master mode | <ul style="list-style-type: none"> Polarity (low level or high level) selectable Supply or stop selectable while communication is halted. |
| Transmit data (SSITXD0) and receive data (SSIRXD0) | Transmission | Muting method (transmission of transmit FIFO data or transmission of data fixed to 0) selectable |
| FIFO | Capacity | Transmit FIFO/receive FIFO: 4 bytes × 8 stages |
| | Data alignment | Data alignment (left-justification or right-justification) selectable for the data transfer between FIFO and shift register |
| Interrupt | Interrupt output | <ul style="list-style-type: none"> Communication error/idle mode Receive data full Transmit data empty. |
| Low power consumption function | | Whether or not to supply the audio clock selectable in master mode |
| Module-stop function | | Module-stop state can be set to reduce power consumption |

Table 33.2 Definition of terms (1 of 2)

| Term | Definition |
|--------------------|-------------------------------------------------------------------------------------------------------------------------------------|
| Start trigger | First edge of the signal on the SSILRCK/SSIFS pin when the signal is set to the value specified in LRCKP to enable communication |
| Frame boundary | Point where SSIE starts transferring the first data of a frame or the point where SSIE ends transferring the last data of the frame |
| Frame word number | Number of sound channels per frame |
| System word length | Number of bits per channel |

Table 33.2 Definition of terms (2 of 2)

| Term | Definition |
|----------------------------------------|----------------------------------------------------------------------------------------------------------------------------------------------------------------------------------------------------------------------------------------------|
| Data word length | Number of significant bits per channel |
| Control bits for communication formats | <ul style="list-style-type: none"> • SSICR register: DWL, SWL, LRCKP, SPDP, SDTA, PDTA, and DEL bits • SSIFCR register: BSW bit • SSIOFR register: OMOD bit • SSISCR register: TDES and RDFS bits. |

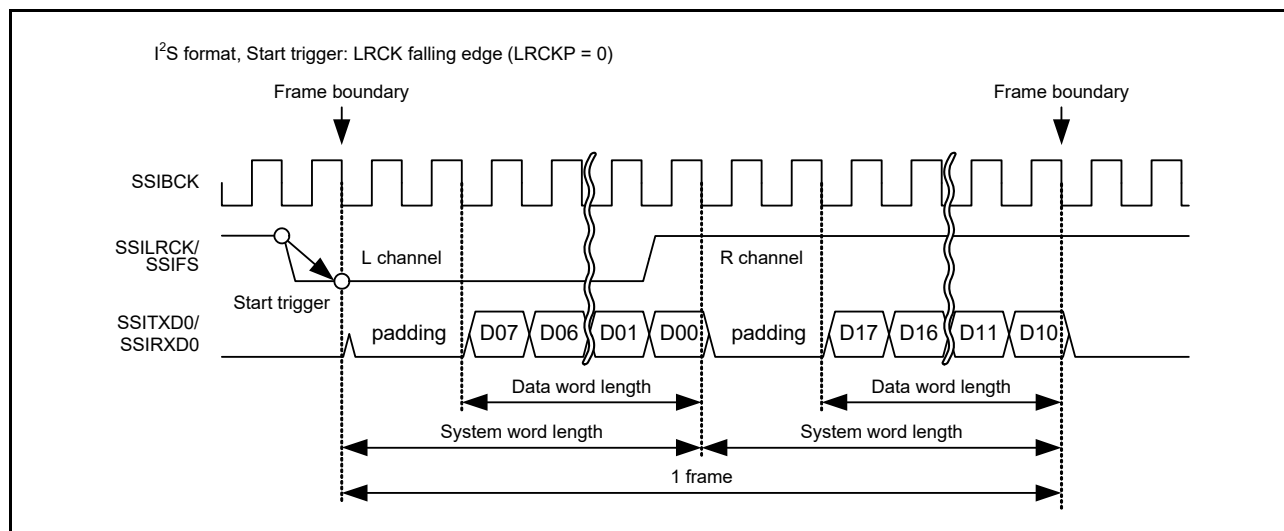


Figure 33.1 SSIE communication format

33.3 Block Diagram

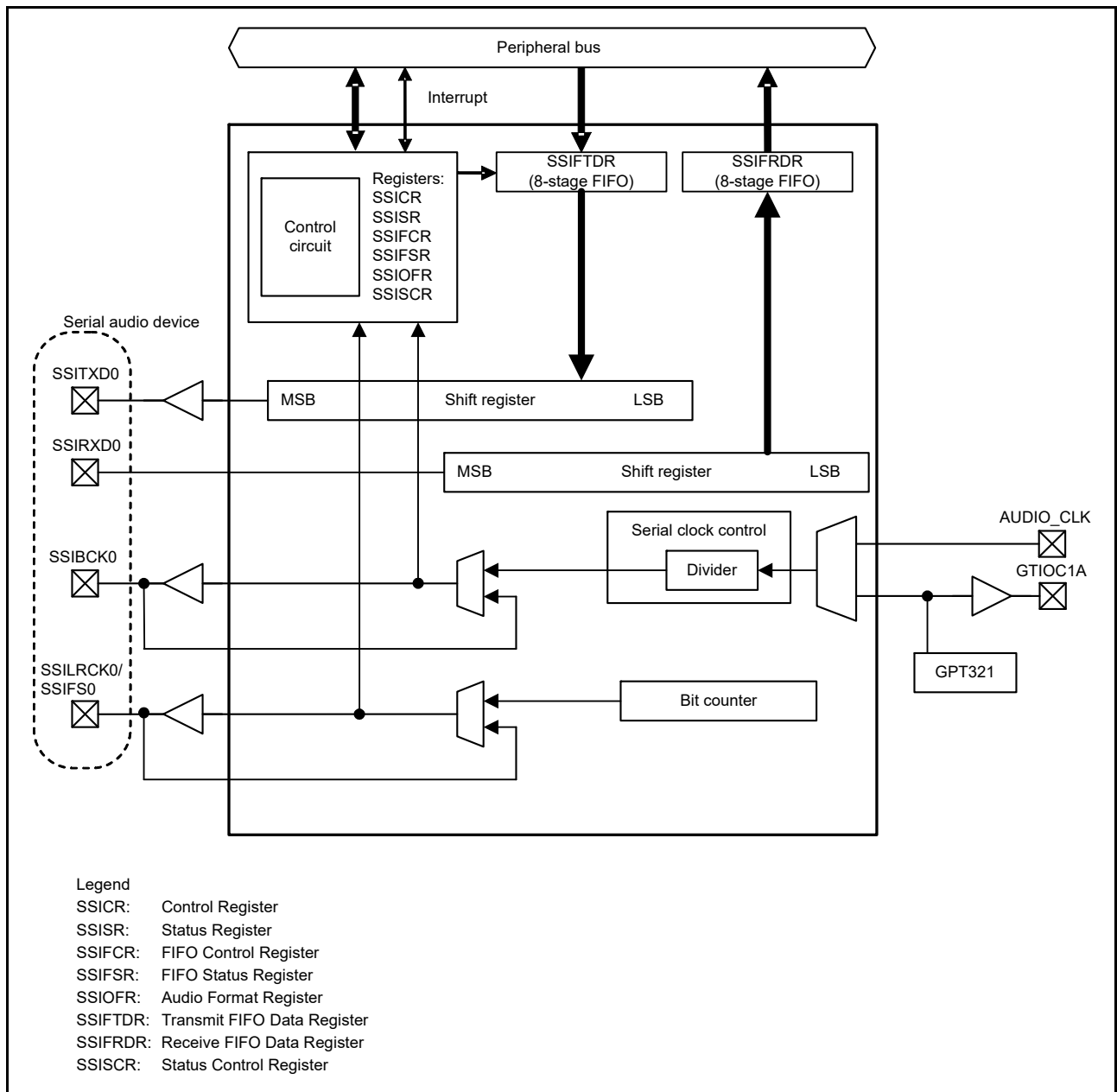


Figure 33.2 SSIE block diagram (SSIE0)

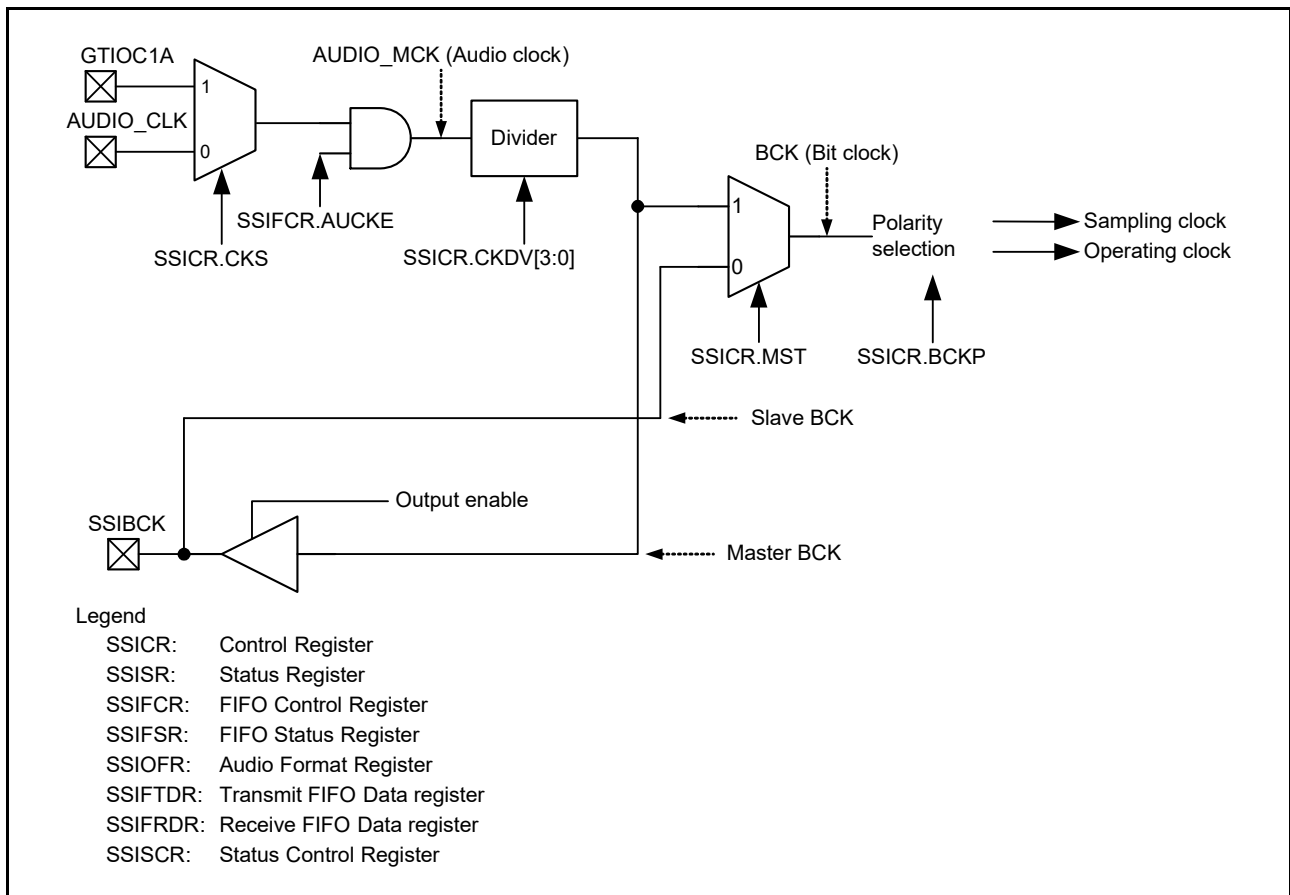


Figure 33.3 SSIE clock configuration

33.4 Register Descriptions

33.4.1 Control Register (SSICR)

Address(es): SSIE0.SSICR 4004 E000h

| | | | | | | | | | | | | | | | |
|----------------------------------------------------|-----|-------|-------|-------|-------|------|-----|-----------|-----|----------|------|-----|----------|-----|-----|
| b31 | b30 | b29 | b28 | b27 | b26 | b25 | b24 | b23 | b22 | b21 | b20 | b19 | b18 | b17 | b16 |
| — | CKS | TUIEN | TOIEN | RUIEN | ROIEN | IEN | — | — | — | DWL[2:0] | | | SWL[2:0] | | |
| Value after reset: 0 0 0 0 0 0 0 0 0 0 0 0 0 0 0 0 | | | | | | | | | | | | | | | |
| b15 | b14 | b13 | b12 | b11 | b10 | b9 | b8 | b7 | b6 | b5 | b4 | b3 | b2 | b1 | b0 |
| — | MST | BCKP | LRCKP | SPDP | SDTA | PDTA | DEL | CKDV[3:0] | | | MUEN | — | TEN | REN | |
| Value after reset: 0 0 0 0 0 0 0 0 0 0 0 0 0 0 0 0 | | | | | | | | | | | | | | | |

| Bit | Symbol | Bit name | Description | R/W |
|-----|--------|-------------------------------------|----------------------------------------------------------------------------------------------------------------------------------------------------------------------------------------------------------------------|-----|
| b0 | REN | Transmission and Reception Enable*2 | 00: Disables transmission and reception 01: Enables reception (starts reception) 10: Enables transmission (starts transmission) 11: Enables transmission and reception (starts transmission and reception). | R/W |
| b1 | TEN | | | |
| b2 | — | Reserved | This bit is read as 0. The write value should be 0. | R/W |
| b3 | MUEN | Mute Enable | 0: Disables muting on the next frame boundary 1: Enables muting on the next frame boundary. | R/W |

| Bit | Symbol | Bit name | Description | R/W |
|------------|-----------|----------------------------------------------------------------------------------------------|---------------------------------------------------------------------------------------------------------------------------------------------------------------------------------------------------------------------------------------------------------------------------------------------------------------------------------------------------------------------------------------------------------------------------------------|-----|
| b7 to b4 | CKDV[3:0] | Select Bit Clock Division Ratio* ¹ | b7 b4 0 0 0 0: AUDIO_MCK 0 0 0 1: AUDIO_MCK/2 0 0 1 0: AUDIO_MCK/4 0 0 1 1: AUDIO_MCK/8 0 1 0 0: AUDIO_MCK/16 0 1 0 1: AUDIO_MCK/32 0 1 1 0: AUDIO_MCK/64 0 1 1 1: AUDIO_MCK/128 1 0 0 0: AUDIO_MCK/6 1 0 0 1: AUDIO_MCK/12 1 0 1 0: AUDIO_MCK/24 1 0 1 1: AUDIO_MCK/48 1 1 0 0: AUDIO_MCK/96 1 1 0 1: Setting prohibited 1 1 1 0: Setting prohibited 1 1 1 1: Setting prohibited. | R/W |
| b8 | DEL | Select Serial Data Delay* ¹ | 0: Delay of 1 cycle of SSIBCK between SSILRCK/SSIFS and SSITXD0/SSIRXD0 1: No delay between SSILRCK/SSIFS and SSITXD0/SSIRXD0. In the monaural format, this bit controls the waveform of SSILRCK/SSIFS. For details, see section 33.5.2, Monaural Format . | R/W |
| b9 | PDTA | Select Placement Data Alignment* ¹ | 0: Left-justify placement data (SSIFTDR, SSIFRDR) 1: Right-justify placement data (SSIFTDR, SSIFRDR). | R/W |
| b10 | SDTA | Select Serial Data Alignment* ¹ | 0: Transmit and receive serial data first, then padding bits 1: Transmit and receive padding bits first, then serial data. | R/W |
| b11 | SPDP | Select Serial Padding Polarity* ¹ | 0: Padding data is at a low level 1: Padding data is at a high level. | R/W |
| b12 | LRCKP | Select the Initial Value and Polarity of LR Clock/Frame Synchronization Signal* ¹ | 0: The initial value is at a high level. The start trigger for a frame is synchronized with a falling edge of SSILRCK/SSIFS 1: The initial value is at a low level. The start trigger for a frame is synchronized with a rising edge of SSILRCK/SSIFS. | R/W |
| b13 | BCKP | Select Bit Clock Polarity* ¹ | 0: SSILRCK/SSIFS and SSITXD0/SSIRXD0 change at a falling edge (SSILRCK/SSIFS and SSIRXD0 are sampled at a rising edge of SSIBCK) 1: SSILRCK/SSIFS and SSITXD0/SSIRXD0 change at a rising edge (SSILRCK/SSIFS and SSIRXD0 are sampled at a falling edge of SSIBCK). | R/W |
| b14 | MST | Master Enable* ¹ | 0: Slave mode communication 1: Master mode communication. | R/W |
| b15 | — | Reserved | This bit is read as 0. The write value should be 0. | R/W |
| b18 to b16 | SWL[2:0] | Select System Word Length* ¹ | b18 b16 0 0 0: 8 bits 0 0 1: 16 bits 0 1 0: 24 bits 0 1 1: 32 bits 1 0 0: 48 bits 1 0 1: 64 bits 1 1 0: 128 bits 1 1 1: 256 bits. | R/W |
| b21 to b19 | DWL[2:0] | Select Data Word Length* ¹ | b21 b19 0 0 0: 8 bits 0 0 1: 16 bits 0 1 0: 18 bits 0 1 1: 20 bits 1 0 0: 22 bits 1 0 1: 24 bits 1 1 0: 32 bits 1 1 1: Setting prohibited. | R/W |
| b24 to b22 | — | Reserved | These bits are read as 0. The write value should be 0. | R/W |
| b25 | IEN | Idle Mode Interrupt Output Enable | 0: Disable idle mode interrupt output 1: Enable idle mode interrupt output. | R/W |

| Bit | Symbol | Bit name | Description | R/W |
|-----|--------|-------------------------------------------------------|--------------------------------------------------------------------------------------------------|-----|
| b26 | ROIEN | Receive Overflow Interrupt Output Enable | 0: Disable receive overflow interrupt output 1: Enable receive overflow interrupt output. | R/W |
| b27 | RUIEN | Receive Underflow Interrupt Output Enable | 0: Disable receive underflow interrupt output 1: Enable receive underflow interrupt output. | R/W |
| b28 | TOIEN | Transmit Overflow Interrupt Output Enable | 0: Disable transmit overflow interrupt output 1: Enable transmit overflow interrupt output. | R/W |
| b29 | TUIEN | Transmit Underflow Interrupt Output Enable | 0: Disable transmit underflow interrupt output 1: Enable transmit underflow interrupt output. | R/W |
| b30 | CKS | Select an Audio Clock for Master mode Communication*1 | 0: Select AUDIO_CLK input 1: Select GTIOC1A (GPT output). | R/W |
| b31 | — | Reserved | This bit is read as 0. The write value should be 0. | R/W |

Note 1. Writing to these bits while SSIE is in a communication state (SSISR.IIRQ = 0) is prohibited. If the value of these bits is changed by rewriting, subsequent operation is unpredictable.

Note 2. If the TEN bit or REN bit is rewritten, make sure that the SSISR.IIRQ bit is in the target status. If the value of the TEN or REN bit is changed by rewriting, subsequent operation is unpredictable. For example, when transmission or reception is enabled, check that SSISR.IIRQ is 0, and when transmission or reception is disabled, check that SSISR.IIRQ is 1.

This register can select an audio clock, control interrupt requests, select data formats, and set an operation mode.

TEN and REN bits (Transmission and Reception Enable)

The TEN and REN bits enable or disable transmission and reception. When 1 is written to one of these bits, the corresponding communication operation starts in synchronization with a start trigger in the SSILRCK/SSIFS signal. For details, see [section 33.8.2](#) to [section 33.8.4](#). When 0 is written to this bit, the current communication operation stops at the next frame boundary. To use SSIE for both transmission and reception, simultaneously write 1 to these bits. When stopping communication using SSIE, always disable both transmission and reception by writing 0 to the TEN and REN bits.

If you want to stop SSIE before a frame boundary is reached, perform a software reset procedure.

MUEN bit (Mute Enable)

The MUEN bit enables or disables the mute function for the data output from the SSITXD0 pin. When this bit is set to 1 in the middle of a frame, the SSITXD0 output changes to 0 at the next frame boundary. When this bit is set to 0 in the middle of a frame, the SSITXD0 output changes to the data of the Transmit FIFO Data Register at the next frame boundary. This bit controls data only. Status flags and interrupt signals are generated normally.

Change this bit value only after setting the communication format to be used.

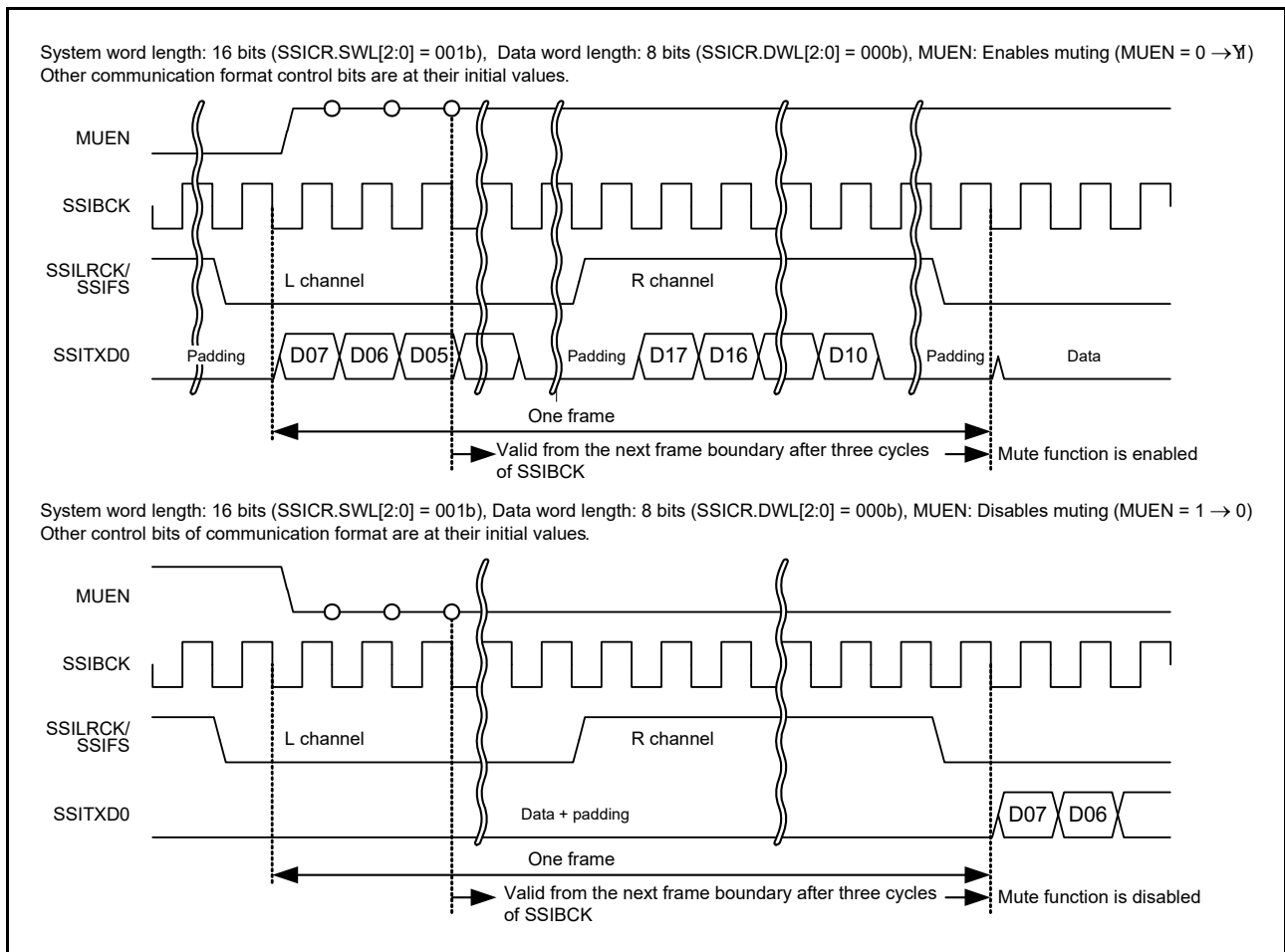


Figure 33.4 Transmit data with the mute function set

CKDV[3:0] bits (Select Bit Clock Division Ratio)

The CKDV[3:0] bits set the division ratio of the bit clock based on AUDIO_MCK in master mode communication (MST = 1). In slave mode communication (MST = 0), setting of these bits is invalid.

Write to this bit when the supply of AUDIO_MCK is stopped. For timing details, see the detailed description of the AUCKE bit in SSIFCR.

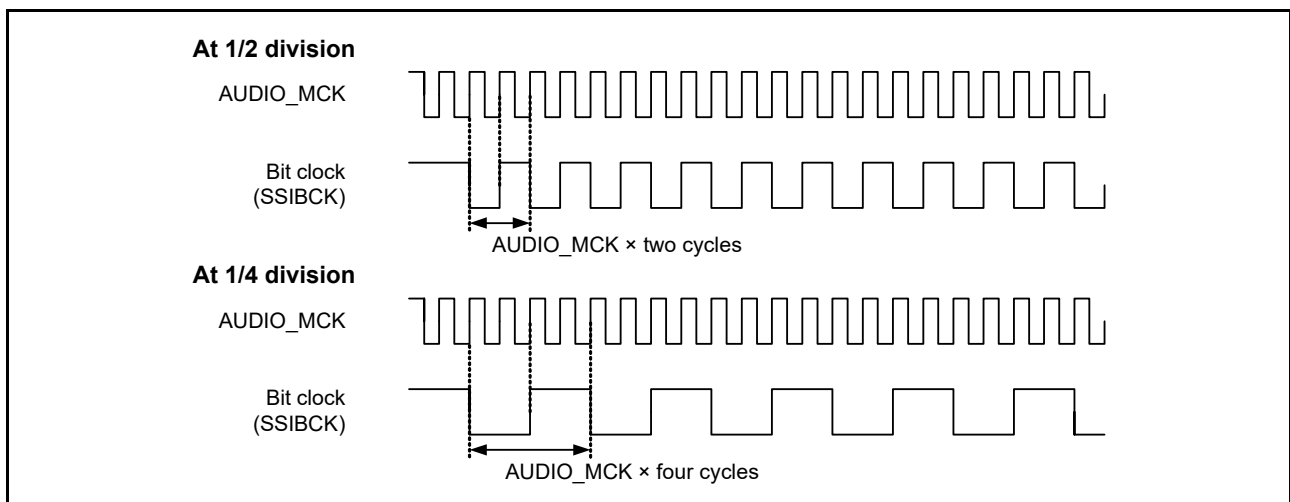


Figure 33.5 Sampling frequencies in master mode communication

DEL bit (Select Serial Data Delay)

The DEL bit selects whether or not there is a delay between SSILRCK/SSIFS and SSITXD0/SSIRXD0.

For the I²S format, set the DEL bit to 0. When the monaural format is used, this bit setting changes the high period width of SSILRCK/SSIFS. For details, see [section 33.5.2, Monaural Format](#). When using a compatible communication format, specify a DEL bit setting that enables communication.

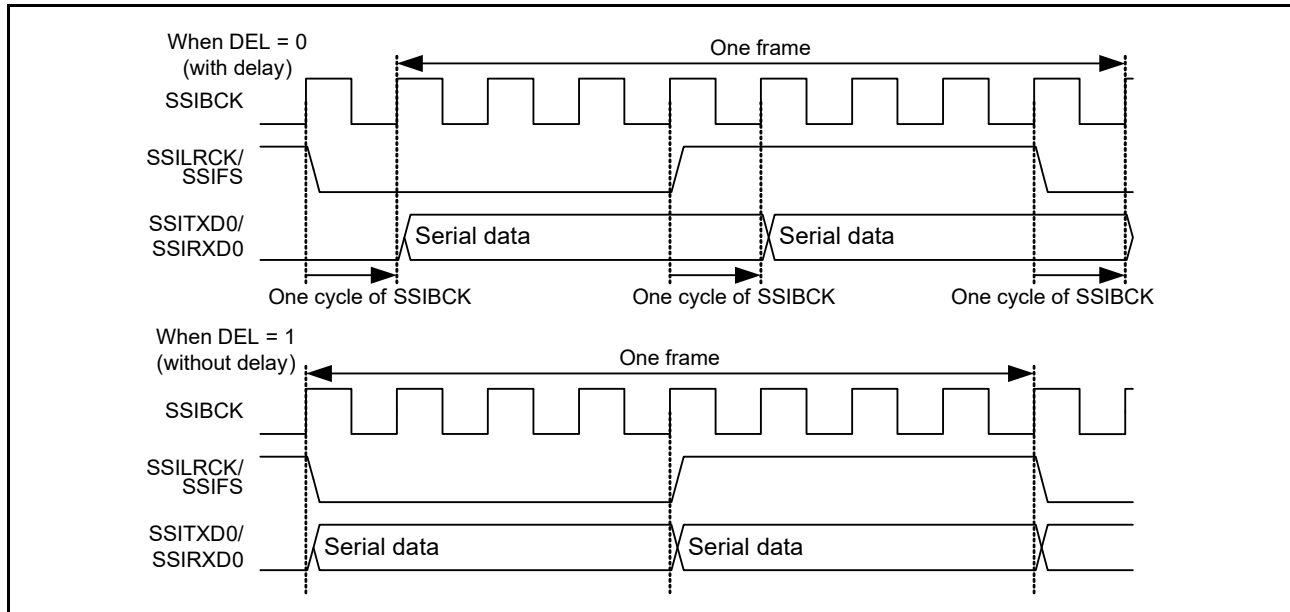


Figure 33.6 Setting of delay in serial data

PDTA bit (Select Placement Data Alignment)

The PDTA bit selects how to align placement data. When a 32-bit word length is set (SSICR.DWL[2:0] = 110b), this bit is invalid. [Figure 33.7](#) shows the alignment of placement data at transmission. [Figure 33.8](#) shows the alignment of placement data at reception.

| | First transmission data | Second transmission data | Third transmission data | Fourth transmission data |
|------------------------------------------------------------------------------------|--------------------------------------------------------------|----------------------------------------------------------|----------------------------------------------------------|--------------------------------------------------------------|
| | SSIFTDR | | | |
| DWL[2:0] | PDTA = 0 (left-justify) | | PDTA = 1 (right-justify) | Transmission shift register |
| 000 (8 bits) | 7 0 Invalid 7 0 Invalid 7 0 Invalid 7 0 Invalid | Setting prohibited | | 7 0 Invalid 7 0 Invalid 7 0 Invalid 7 0 Invalid |
| 001 (16 bits) | 15 0 Invalid 15 0 Invalid 15 0 Invalid 15 0 Invalid | Setting prohibited | | 15 0 Invalid 15 0 Invalid 15 0 Invalid 15 0 Invalid |
| 010 to 100 18bit : X = 17 20bit : X = 19 22bit : X = 21 24bit : X = 23 | X 0 Invalid X 0 Invalid X 0 Invalid X 0 Invalid | Invalid X 0 Invalid X 0 Invalid X 0 Invalid X 0 | X 0 Invalid X 0 Invalid X 0 Invalid X 0 Invalid | |
| 110 (32 bits) | 31 0 31 0 31 0 31 0 | Setting prohibited | | 31 0 31 0 31 0 31 0 |
| 111 (Setting prohibited) | / | | | |

Figure 33.7 Alignment of placement data at transmission

| | First transmission data | Second transmission data | Third transmission data | Fourth transmission data |
|------------------------------------------------------------------------------------|--------------------------------------------------------------|--------------------------------------------------------------|----------------------------------------------------------|--------------------------|
| | SSIFRDR | | | |
| DWL[2:0] | Receive shift register | | PDTA = 0 (left-justify) | PDTA = 1 (right-justify) |
| 000 (8 bits) | Invalid 7 0 Invalid 7 0 Invalid 7 0 Invalid 7 0 | 7 0 Invalid 7 0 Invalid 7 0 Invalid 7 0 Invalid | | Setting prohibited |
| 001 (16 bits) | Invalid 15 0 Invalid 15 0 Invalid 15 0 Invalid 15 0 | 15 0 Invalid 15 0 Invalid 15 0 Invalid 15 0 Invalid | | Setting prohibited |
| 010 to 100 18bit : X = 17 20bit : X = 19 22bit : X = 21 24bit : X = 23 | Invalid X 0 Invalid X 0 Invalid X 0 Invalid X 0 | X 0 Invalid X 0 Invalid X 0 Invalid X 0 Invalid | Invalid X 0 Invalid X 0 Invalid X 0 Invalid X 0 | |
| 110 (32 bits) | 31 0 31 0 31 0 31 0 | 31 0 31 0 31 0 31 0 | | Setting prohibited |
| 111 (Setting prohibited) | / | | | |

Figure 33.8 Alignment of placement data at reception

SDTA bit (Select Serial Data Delay)

The SDTA bit selects how to align serial data and padding bits. For communication without padding bits, this bit is invalid.

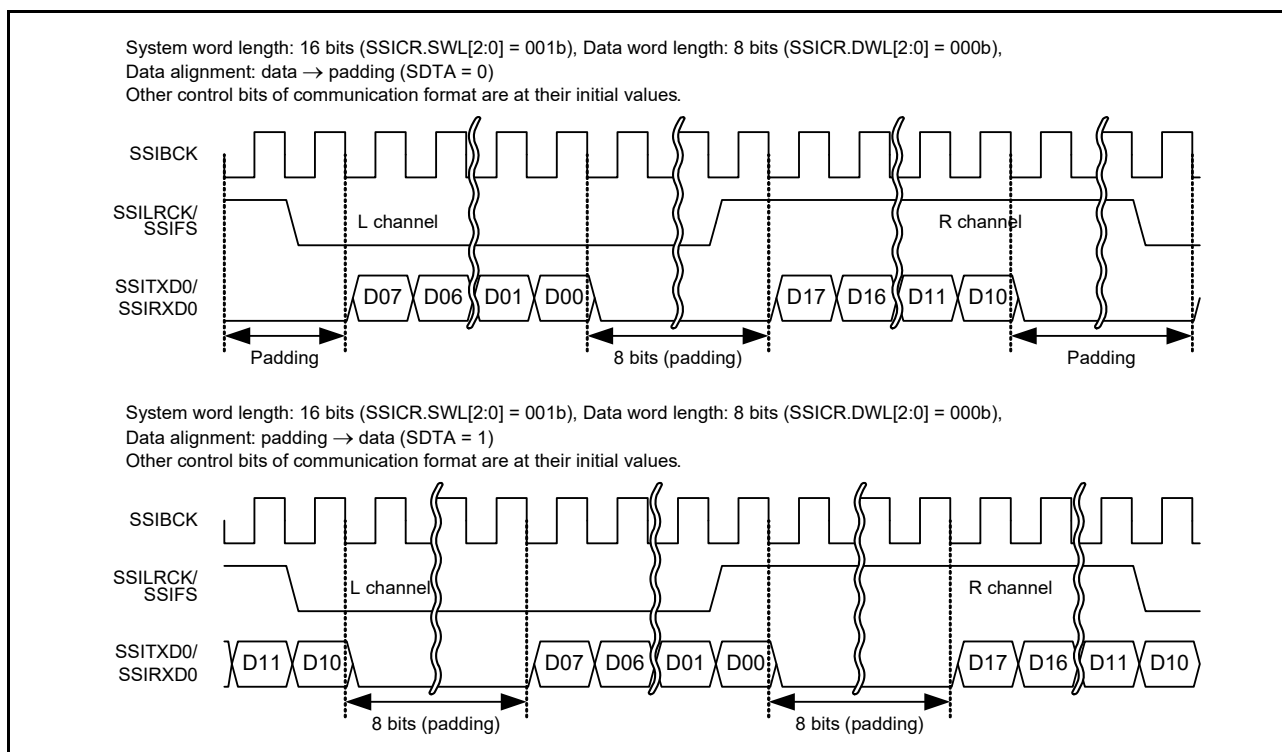


Figure 33.9 Alignment setting of serial data with padding bits

SPDP bit (Select Serial Padding Polarity)

The SPDP bit selects the polarity of padding bits.

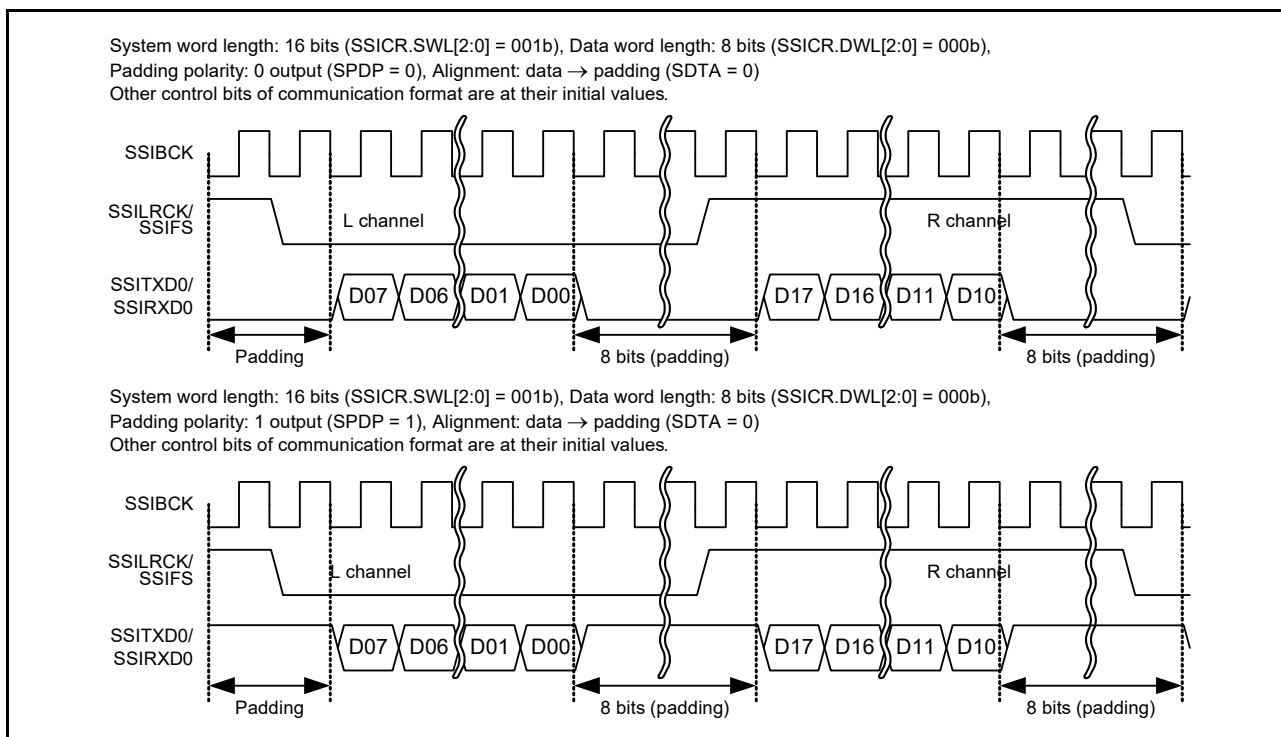


Figure 33.10 Padding bit polarity

LRCKP bit (Select the Initial Value and Polarity of LR Clock/Frame Synchronization Signal)

The LRCKP bit sets the initial value and polarity of SSILRCK/SSIFS. Set this bit based on the communication format to be used in SSIE. See Table 33.3, Initial output value and polarity of SSILRCK/SSIFS pin. In slave mode communication (MST = 0), only the start trigger is used.

Write to these bits when the LR clock supply to the SSILRCK/SSIFS pin is stopped. For details about the output of LR clock, see the detailed description of the LRCONT bit in SSI0FR.

Table 33.3 Initial output value and polarity of SSILRCK/SSIFS pin

| Communication format | Expected initial state | Setting value of LRCKP |
|----------------------|------------------------|------------------------|
| I ² S | High | 0 |
| Monaural | Low | 1 |

Note: When the format to be used is compatible with the I²S and monaural formats, specify the settings to enable communication with the respective formats.

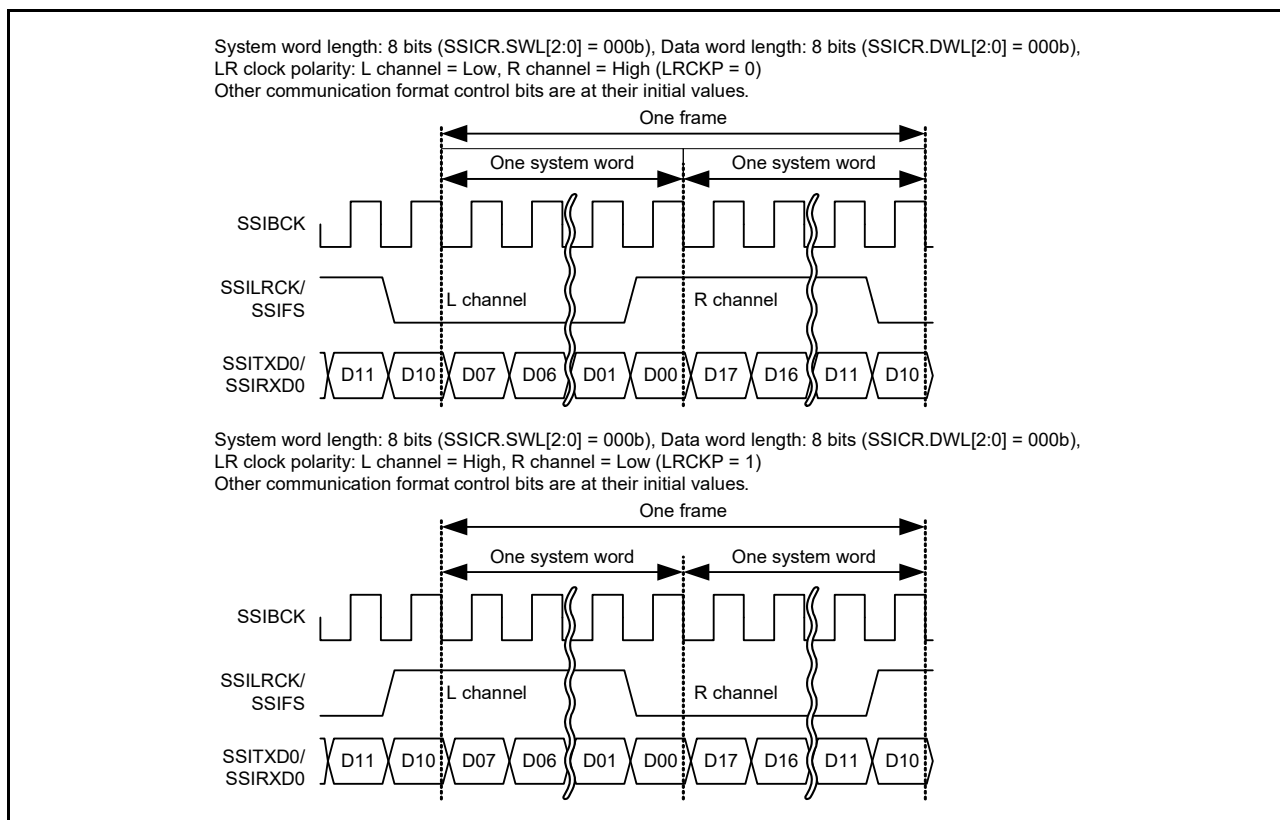


Figure 33.11 LR clock/frame synchronization polarity setting

BCKP bit (Select Bit Clock Polarity)

The BCKP bit selects the bit clock polarity.

Write to this bit when the supply of AUDIO_MCK is stopped. For timing details, see the description of the AUCKE bit in section 33.4.3, FIFO Control Register (SSIFCR).

Table 33.4 Bit clock polarity

| Communication | Master/Slave | Timing | BCKP = 0 | BCKP = 1 |
|---------------|--------------|-----------------------------------|---------------------|---------------------|
| Reception | Slave | At SSILRCK/SSIFS sampling | SSIBCK rising edge | SSIBCK falling edge |
| | Master/slave | At SSIRXD0 sampling | SSIBCK rising edge | SSIBCK falling edge |
| Transmission | Master | At change of SSILRCK/SSIFS output | SSIBCK falling edge | SSIBCK rising edge |
| | Master/slave | At change of SSITXD0 output | SSIBCK falling edge | SSIBCK rising edge |

MST bit (Master Enable)

The MST bit selects the master or slave mode communication.

Write to this bit when the supply of AUDIO_MCK is stopped. For timing details, see the description of the AUCKE bit in section 33.4.3, FIFO Control Register (SSIFCR).

SWL[2:0] bits (Select System Word Length)

The SWL[2:0] bits select the number of bits in one system word. Padding bits are sent and received in relation to one data word set in DWL[2:0]. See Table 33.11 for details.

Write to these bits when the LR clock supply to the SSILRCK/SSIFS pin is stopped. For details about the output of LR clock, see the detailed description of the LRCONT bit in section 33.4.7, TDM Mode Register (SSITDMR).

DWL[2:0] bits (Select Data Word Length)

The DWL[2:0] bits select the number of bits in one data word. The data word length (number of bits per data word) must

not exceed the system word length (number of bits per system word). For details, see [Table 33.11](#).

IEN bit (Idle Mode Interrupt Output Enable)

The IEN bit enables or disables the output of idle mode interrupts. By enabling this bit (set it to 1), an interrupt is output at a rising edge of SSISR.IIRQ = 1. An interrupt is also output when this bit is changed from 0 to 1 while SSISR.IIRQ = 1.

ROIEN bit (Receive Overflow Interrupt Output Enable)

The ROIEN bit enables or disables the output of receive overflow interrupts. By enabling this bit (set it to 1), an interrupt is output at a rising edge of SSISR.ROIQR = 1. An interrupt is also output when this bit is changed from 0 to 1 while SSISR.ROIQR = 1.

RUIEN bit (Receive Underflow Interrupt Output Enable)

The RUIEN bit enables or disables the output of receive underflow interrupts. By enabling this bit (set it to 1), an interrupt is output at a rising edge of SSISR.RUIRQ = 1. An interrupt is also output when this bit is changed from 0 to 1 while SSISR.RUIRQ = 1.

TOIEN bit (Transmit Overflow Interrupt Output Enable)

The TOIEN bit enables or disables the output of transmit overflow interrupts. By enabling this bit (set it to 1), an interrupt is output at a rising edge of SSISR.TOIRQ = 1. An interrupt is also output when this bit is changed from 0 to 1 while SSISR.TOIRQ = 1.

TUIEN bit (Transmit Underflow Interrupt Output Enable)

The TUIEN bit enables or disables the output of transmit underflow interrupts. By enabling this bit (set it to 1), an interrupt is output at a rising edge of SSISR.TUIRQ = 1. An interrupt is also output when this bit is changed from 0 to 1 while SSISR.TUIRQ = 1.

CKS bit (Select an Audio Clock for Master mode Communication)

The CKS bit sets the audio clock in master mode communication (MST = 1). In slave mode communication (MST = 0), setting of this bit is invalid.

Write to this bit when the supply of AUDIO_MCK is stopped. For timing details, see the detailed description of the AUCKE bit in SSIFCR.

33.4.2 Status Register (SSISR)

Address(es): SSIE0.SSISR 4004 E004h

| | | | | | | | | | | | | | | | | |
|--------------------|-----|-----|-------|-------|-------|-------|------|-----|-----|-----|-----|-----|-----|-----|-----|-----|
| | b31 | b30 | b29 | b28 | b27 | b26 | b25 | b24 | b23 | b22 | b21 | b20 | b19 | b18 | b17 | b16 |
| | — | — | TUIRQ | TOIRQ | RUIRQ | ROIQR | IIRQ | — | — | — | — | — | — | — | — | — |
| Value after reset: | 0 | 0 | 0 | 0 | 0 | 0 | 1 | 0 | 0 | 0 | 0 | 0 | 0 | 0 | 0 | 0 |
| | b15 | b14 | b13 | b12 | b11 | b10 | b9 | b8 | b7 | b6 | b5 | b4 | b3 | b2 | b1 | b0 |
| | — | — | — | — | — | — | — | — | — | — | — | — | — | — | — | — |
| Value after reset: | 0 | 0 | 0 | 0 | 0 | 0 | 0 | 0 | 0 | 0 | 0 | 0 | 0 | 0 | 0 | 0 |

| Bit | Symbol | Bit name | Description | R/W |
|-----------|--------|-------------------------------------|------------------------------------------------------------------------------------------|-----|
| b24 to b0 | — | Reserved | These bits are read as 0. The write value should be 0. | R/W |
| b25 | IIRQ | Idle Mode Status Flag | 0: In the communication state 1: In the idle state. | R |
| b26 | ROIQR | Receive Overflow Error Status Flag | 0: No receive overflow error is generated 1: A receive overflow error is generated. | R/W |
| b27 | RUIRQ | Receive Underflow Error Status Flag | 0: No receive underflow error is generated 1: A receive underflow error is generated. | R/W |

| Bit | Symbol | Bit name | Description | R/W |
|----------|--------|--------------------------------------|--------------------------------------------------------------------------------------------|-----|
| b28 | TOIRQ | Transmit Overflow Error Status Flag | 0: No transmit overflow error is generated 1: A transmit overflow error is generated. | R/W |
| b29 | TUIRQ | Transmit Underflow Error Status flag | 0: No transmit underflow error is generated 1: A transmit underflow error is generated. | R/W |
| b31, b30 | — | Reserved | These bits are read as 0. The write value should be 0. | R/W |

This register is configured with status flags that indicate the SSIE operational state.

IIRQ bit (Idle Mode Status Flag)

The IIRQ is a status flag that indicates whether SSIE is in an idle state or communication state.

For details, see [Figure 33.12](#) and [Figure 33.13](#).

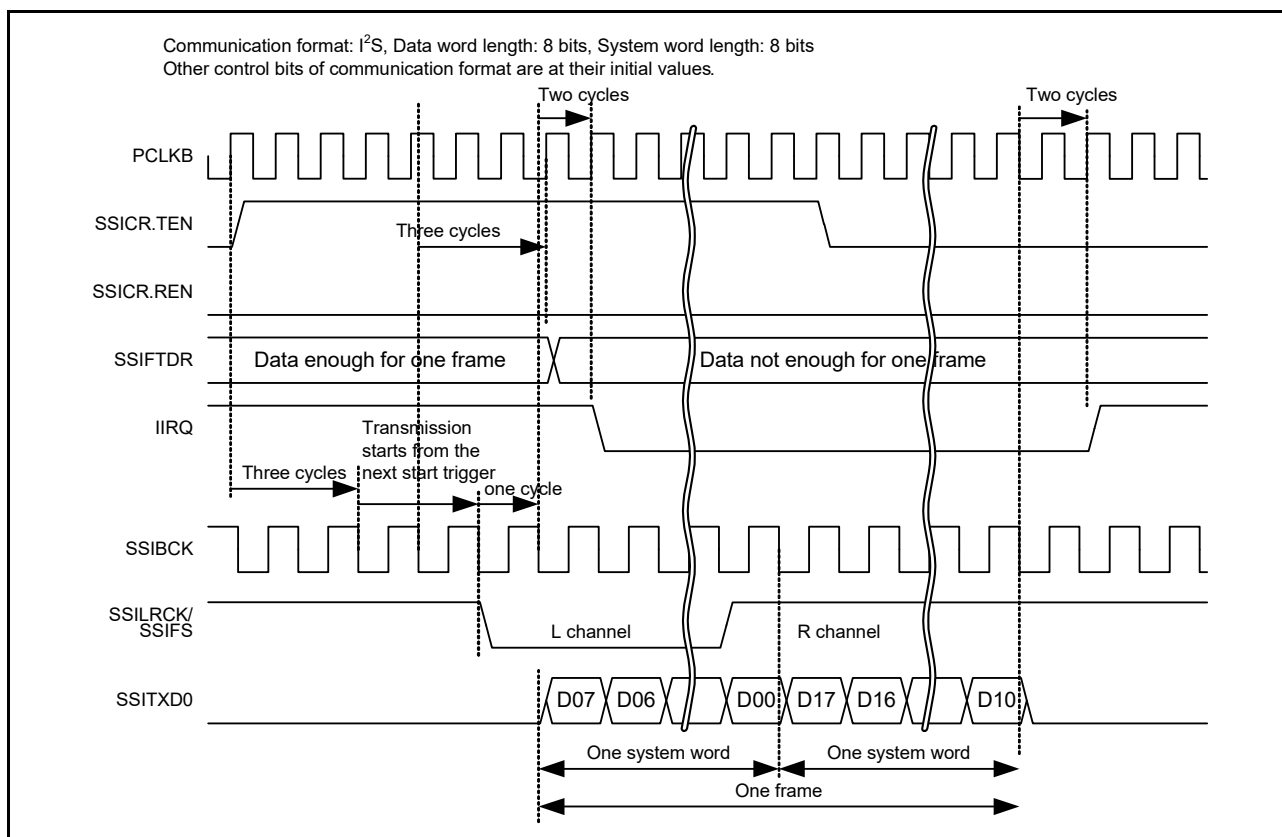


Figure 33.12 IIRQ setting timing (transmission)

For Transmitter (dedicated to transmission):

[Clearing condition]

- When transmission is enabled (SSICR.TEN = 1 and SSICR.REN = 0), the transmit data for a transmission frame is written to the SSIFTDR register, and a start trigger is generated by the SSILRCK/SSIFS signal.

[Clearing timing]

- 1 SSIBCK cycle + 2 PCLKB cycles after generation of the start trigger, which is the clearing condition.

[Setting condition]

- When transmission and reception are disabled (SSICR.TEN = 0 and SSICR.REN = 0), and transmission of one frame is complete.

[Setting timing]

- 2 PCLKB cycles after the end of transmission (at a frame boundary), which is the setting condition.

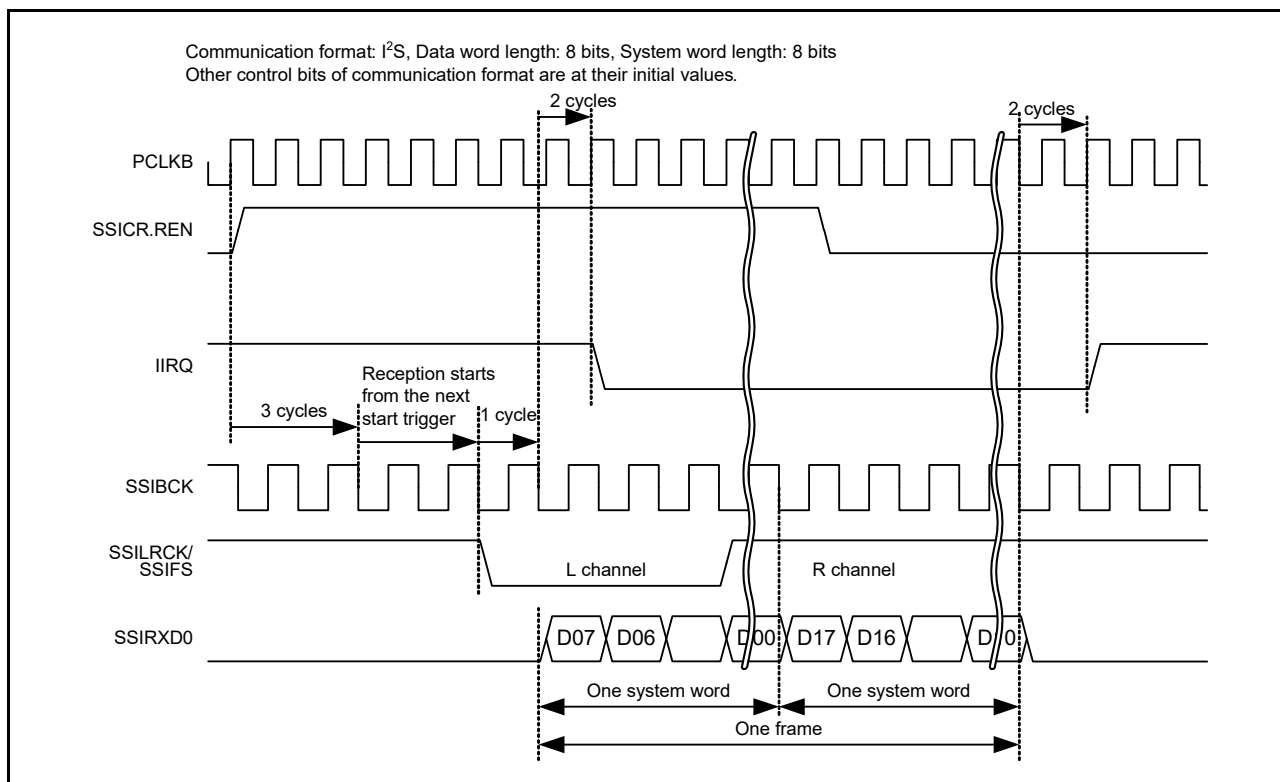


Figure 33.13 IIRQ setting timing (reception)

For the receiver (dedicated to reception):

[Clearing condition]

- When reception is enabled (SSICR.TEN = 0 and SSICR.REN = 01), a start trigger is generated by the SSILRCK/SSIFS signal.

[Clearing timing]

- 1 SSIBCK cycle + 2 PCLKB cycles after generation of the start trigger, which is the clearing condition.

[Setting condition]

- While transmission and reception are disabled (SSICR.TEN = 0 and SSICR.REN = 0), reception of one frame is complete.

[Setting timing]

- 2 PCLKB cycles after the end of reception (at a frame boundary), which is the setting condition.

For the transceiver (transmission and reception):

[Clearing condition]

- When transmission and reception were enabled (SSICR.TEN = 1 and SSICR.REN = 1), the transmit data for a transmission frame is written to the SSIFTDR register, and a start trigger is generated by the SSILRCK/SSIFS signal.

[Clearing timing]

- 1 SSIBCK cycle + 2 PCLKB cycles after generation of the start trigger, which is the clearing condition.

[Setting condition]

- While transmission and reception are disabled (SSICR.TEN = 0 and SSICR.REN = 0), transmission of one frame is complete.

[Setting timing]

- 2 PCLKB cycles after the end of transmission (at a frame boundary), which is the setting condition.

ROIRQ bit (Receive Overflow Error Status Flag)

The ROIRQ is a status flag that indicates a receive overflow error. This flag is set automatically but it must be cleared by register access. This flag indicates that received data is supplied at a higher rate than requested. Data is not transferred from the Receive Shift Register to SSIFRDR where a receive overflow error is generated. For the procedure to recover from the overflow error, see [section 33.8.6, Error Handling](#). This flag is not cleared by a Receive FIFO Data Register Reset (SSIFCR.RFRST).

[Priority order for setting and clearing]

- Setting is prioritized.*1

[Clearing condition]

When either of the following operations is performed:

1. Writing 0 to this bit after reading 1 from this bit.*2
2. On enabling communication (changing SSICR.REN from 0 to 1).

[Clearing timing]

Clearing timing associated with the above clearing condition:

1. When 0 is written to this bit after reading 1 from this bit (same as the timing in [Figure 33.17](#)).
2. 1 PCLKB cycle after writing 1 to SSICR.REN.*3

Note 1. This bit is cleared by a software reset (SSIFCR.SSIRST = 1). The software reset has priority over all the clearing conditions described above.

Note 2. After reading 1 from this bit, this bit is cleared when one of the following three conditions is met:

- A software reset (SSIFCR.SSIRST = 1) is done
- After 1 has been read, writing of 0 is complete
- 1 PCLKB cycle passes after 1 has been written to SSICR.REN.

Note 3. After communication is enabled (by changing the value of SSICR.REN bit from 0 to 1), the reception error flags, RUIRQ and ROIRQ in the SSISR register, are cleared. However, if the SSISR register is read continuously, the cleared status of the reception error flags might be unreadable.

[Setting condition]

- At completion of receiving new data while SSIFRDR is full.

[Setting timing]

- 3 cycles of PCLKB after reception is completed.

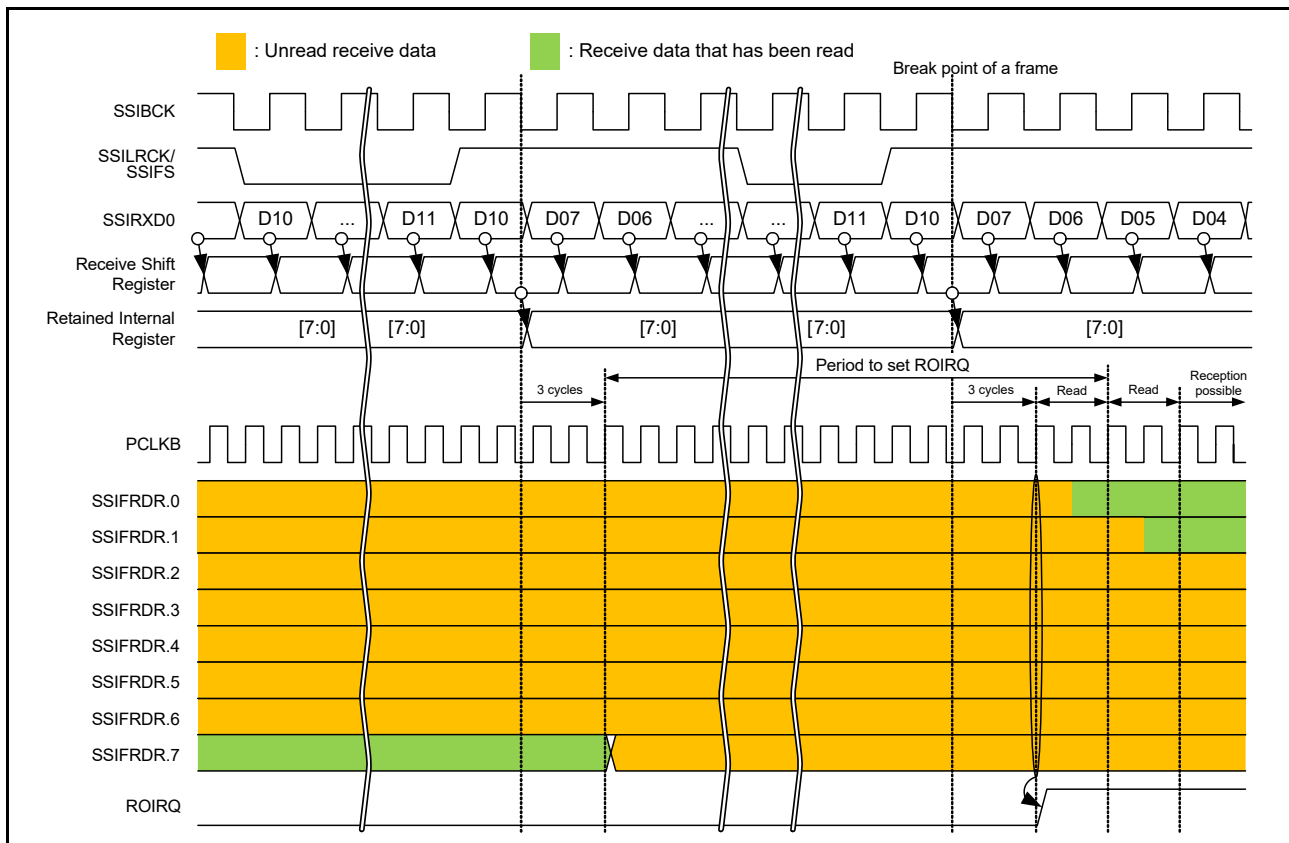


Figure 33.14 ROIRQ setting timing

RUIRQ bit (Receive Underflow Error Status Flag)

RUIRQ is a status flag that indicates a receive underflow error. This flag is set automatically but it must be cleared through register access. This flag indicates that SSIFRDR is read when it is empty. Data read from SSIFRDR where a receive underflow error is generated is invalid. See [section 33.8.6, Error Handling](#) for the error recovery procedure. This flag is not cleared by a Receive FIFO Data Register Reset (SSIFCR.RFRST). However, this flag is not set even if the SSIFRDR register is read while the Receive FIFO Data Register is reset (by setting SSIFCR.RFRST to 1).

[Priority order for setting and clearing]

- Setting is prioritized.*1

[Clearing condition]

When either of the following operations is done:

1. Writing 0 to this bit after reading 1 from this bit*2.
2. On enabling communication (changing SSICR.REN from 0 to 1).

[Clearing timing]

Clearing timing associated with the above clearing condition:

1. When 0 is written to this bit after reading 1 from this bit (same as the timing in [Figure 33.17](#)).
2. 1 PCLKB cycle after writing 1 to SSICR.REN.*3

Note 1. This bit is cleared by a software reset (SSIFCR.SSIRST = 1). The software reset has priority over all the clearing conditions described above.

Note 2. After reading 1 from this bit, this bit is cleared when one of the following three conditions is met:

- A software reset (SSIFCR.SSIRST = 1) is done
- After 1 is read, writing of 0 is complete

- 1 PCLKB cycle passes after 1 is written to SSICR.REN.

Note 3. After communication is enabled (by changing the value of SSICR.REN bit from 0 to 1), the reception error flags, RUIRQ and ROIRQ in the SSISR register, are cleared. However, if the SSISR register is read continuously, the cleared status of the reception error flags might be unreadable.

[Setting condition]

- Reading from SSIFRDR while it is empty.

[Setting timing]

- At completion of reading from SSIFRDR. See Figure 33.15.

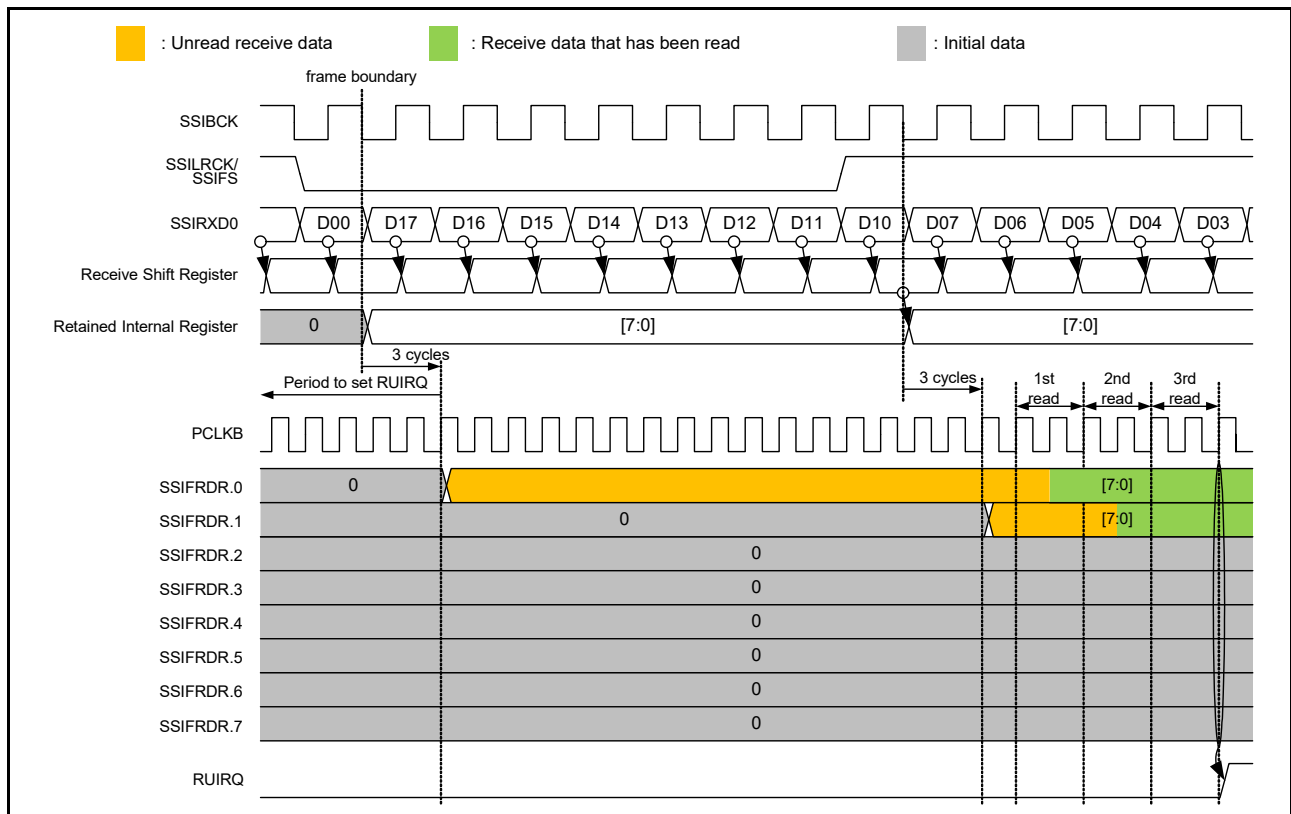


Figure 33.15 RUIRQ setting timing

TOIRQ bit (Transmit Overflow Error Status Flag)

TOIRQ is a status flag that indicates a transmit overflow error. This flag is set automatically but it must be cleared by register access. This flag indicates that an attempt has been made to write data to the SSIFTDR register when the register is full. The data writing that causes a transmit overflow is ignored. For the procedure to recover from the overflow error, see section 33.8.6, Error Handling. This flag is not cleared by a Transmit FIFO Data Register Reset (SSIFCR.TFRST).

[Priority order for setting and clearing]

- Setting is prioritized.*1

[Clearing condition]

When either of the following operations is done:

1. On writing 0 to this bit after reading 1 from this bit*2.
2. On enabling communication (changing SSICR.TEN from 0 to 1).

[Clearing timing]

Clearing timing associated with the above clearing condition:

1. When 0 is written to this bit after reading 1 from this bit (same as the timing in [Figure 33.17](#)).
2. 1 PCLKB cycle after writing 1 to SSICR.TEN.*3

Note 1. This bit is cleared by a software reset (SSIFCR.SSIRST = 1). The software reset has priority over all the clearing conditions described above.

Note 2. After reading 1 from this bit, this bit is cleared when one of the following three conditions is met:

- On a software reset (SSIFCR.SSIRST = 1)
- On writing 0
- After passage of 1 PCLKB cycle after 1 is written to SSICR.TEN.

Note 3. After communication is enabled (by changing the value of SSICR.TEN bit from 0 to 1), the transmission error flags, TOIRQ and TUIRQ in the SSISR register, are cleared. However, if the SSISR register is read continuously, the cleared status of the transmission error flags might be unreadable.

[Setting condition]

- An attempt is made to write data to the SSIFTDR register when the register is full of data.

[Setting timing]

- On completion of writing to SSIFTDR. For details, see [Figure 33.16](#).

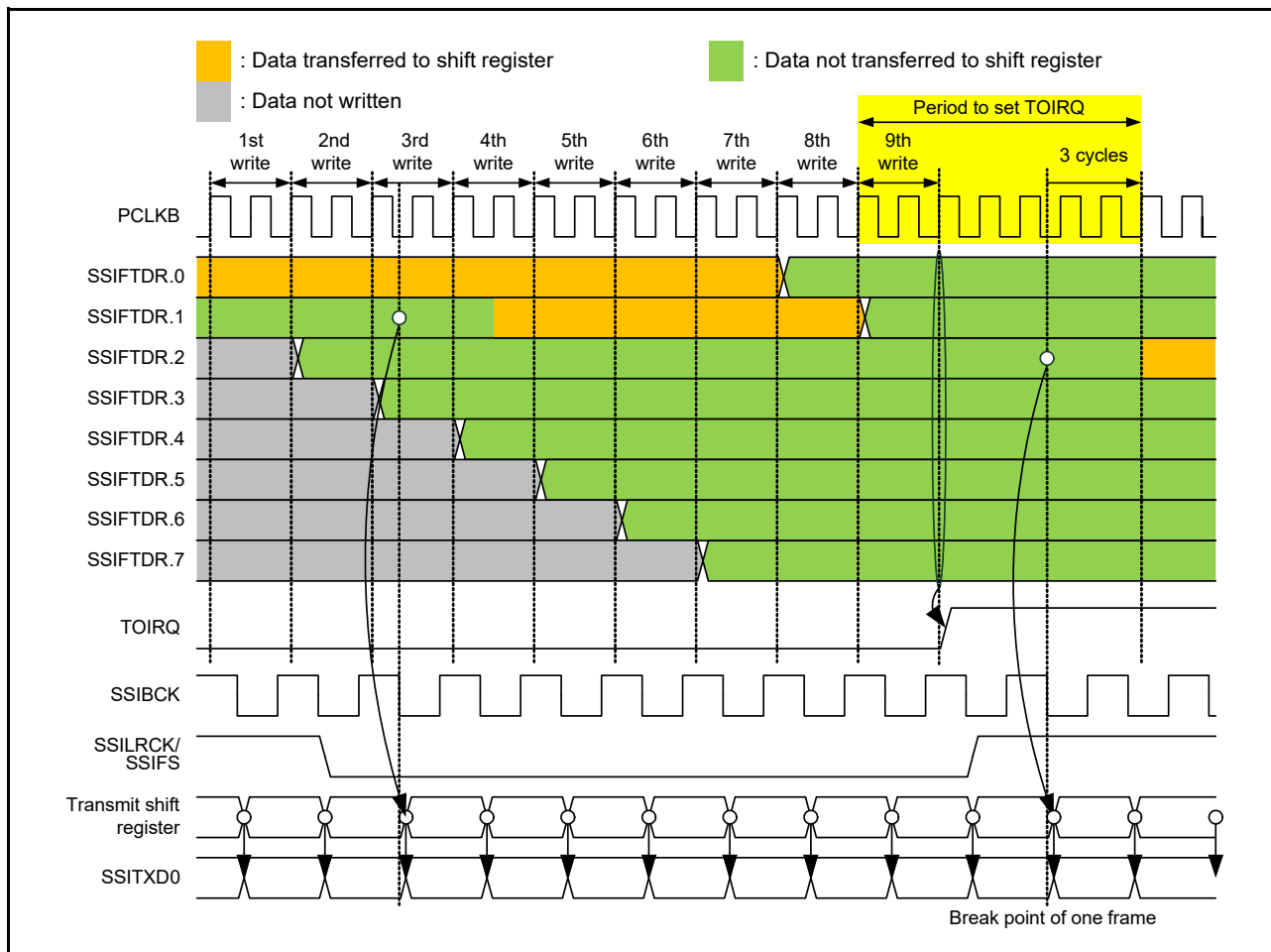


Figure 33.16 TOIRQ setting timing

TUIRQ bit (Transmit Underflow Error Status flag)

TUIRQ is a status flag that indicates a transmit underflow error. This flag is set automatically but it must be cleared by register access. This flag indicates that writing the serial data required for a frame to SSIFTDR did not catch up with

transmission of the frame. Even if this flag is cleared after it has been set, the SSITXD0 output remains at 0. To output the data written to the Transmit FIFO Data Register (SSIFTDR) to the SSITXD0 pin, follow the communication stop procedure in [Figure 33.52](#) and the error-handling procedure in [Figure 33.53](#). For the procedure to recover from an error, see [section 33.8.6, Error Handling](#). This flag is not cleared by a reset of the Transmit FIFO Data Register (by the SSIFCR.TFRST signal).

[Priority order for setting and clearing]

- Setting is prioritized.*1

[Clearing condition]

When either of the following operations is done:

1. On writing 0 to this bit after reading 1 from this bit.*2
2. On enabling communication (changing SSICR.TEN from 0 to 1).

[Clearing timing]

Clearing timing associated with the above clearing condition:

1. When 0 is written to this bit after reading 1 from this bit.
2. 1 PCLKB cycle after writing 1 to SSICR.TEN.*3

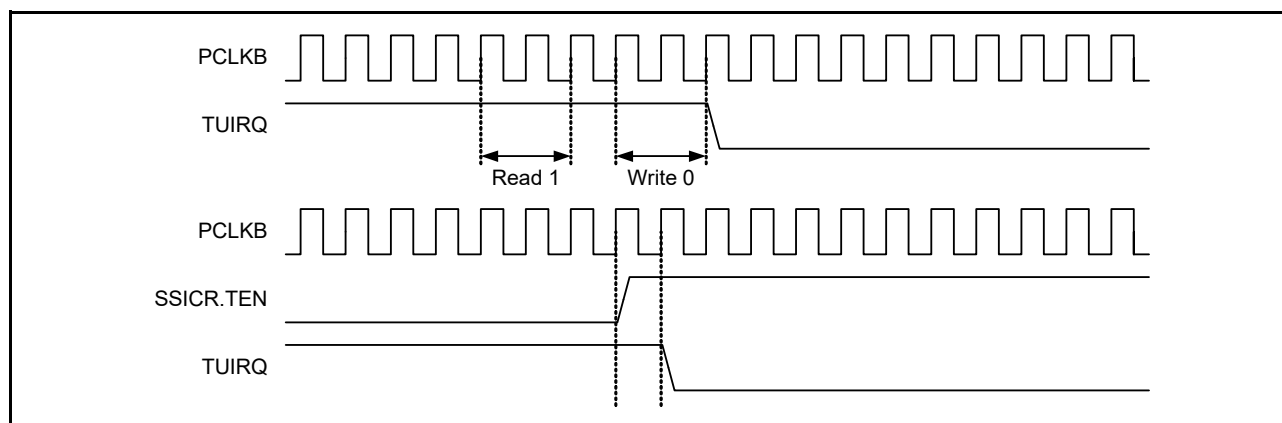


Figure 33.17 TUIRQ clearing timing

Note 1. This bit is cleared by a software reset (SSIFCR.SSIRST = 1). The software reset has priority over all the clearing conditions described above.

Note 2. After reading 1 from this bit, this bit is cleared when one of the following three conditions is met:

- On a software reset (SSIFCR.SSIRST = 1)
- On writing 0
- After passage of 1 PCLKB cycle after 1 is written to SSICR.TEN.

Note 3. After communication is enabled (by changing the value of SSICR.TEN bit from 0 to 1), the transmission error flags, TOIRQ and TUIRQ in the SSISR register, are cleared. However, if the SSISR register is read continuously, the cleared status of the transmission error flags might be unreadable.

[Setting condition]

- When communication continues over a frame boundary, the transmit data required for the next frame has not been written to SSIFTDR. For details, see [Figure 33.18](#) and [Figure 33.19](#).

[Setting timing]

- 3 PCLKB cycles after the frame boundary. For details, see [Figure 33.18](#).

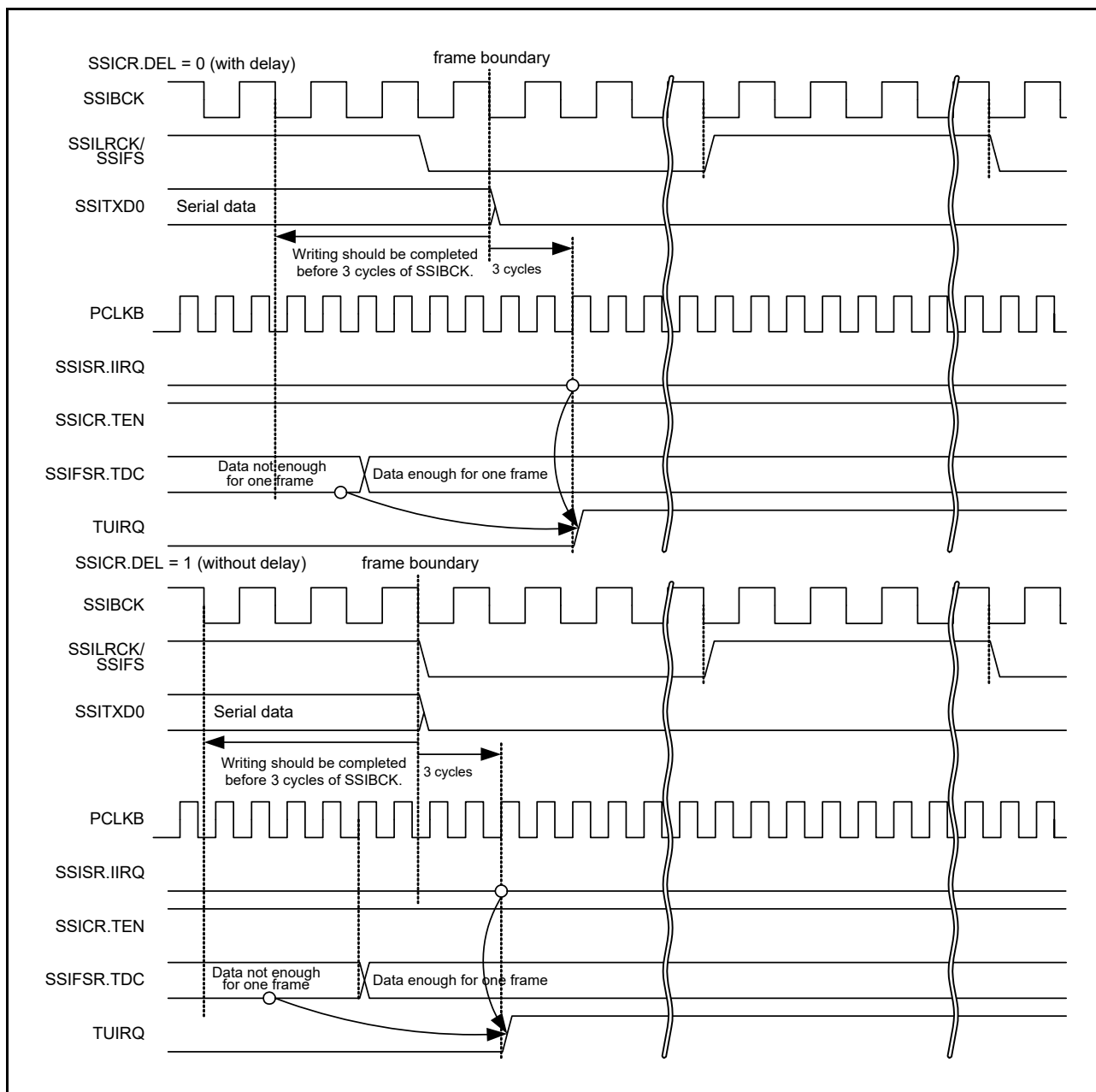


Figure 33.18 TUIRQ setting timing when communication continues

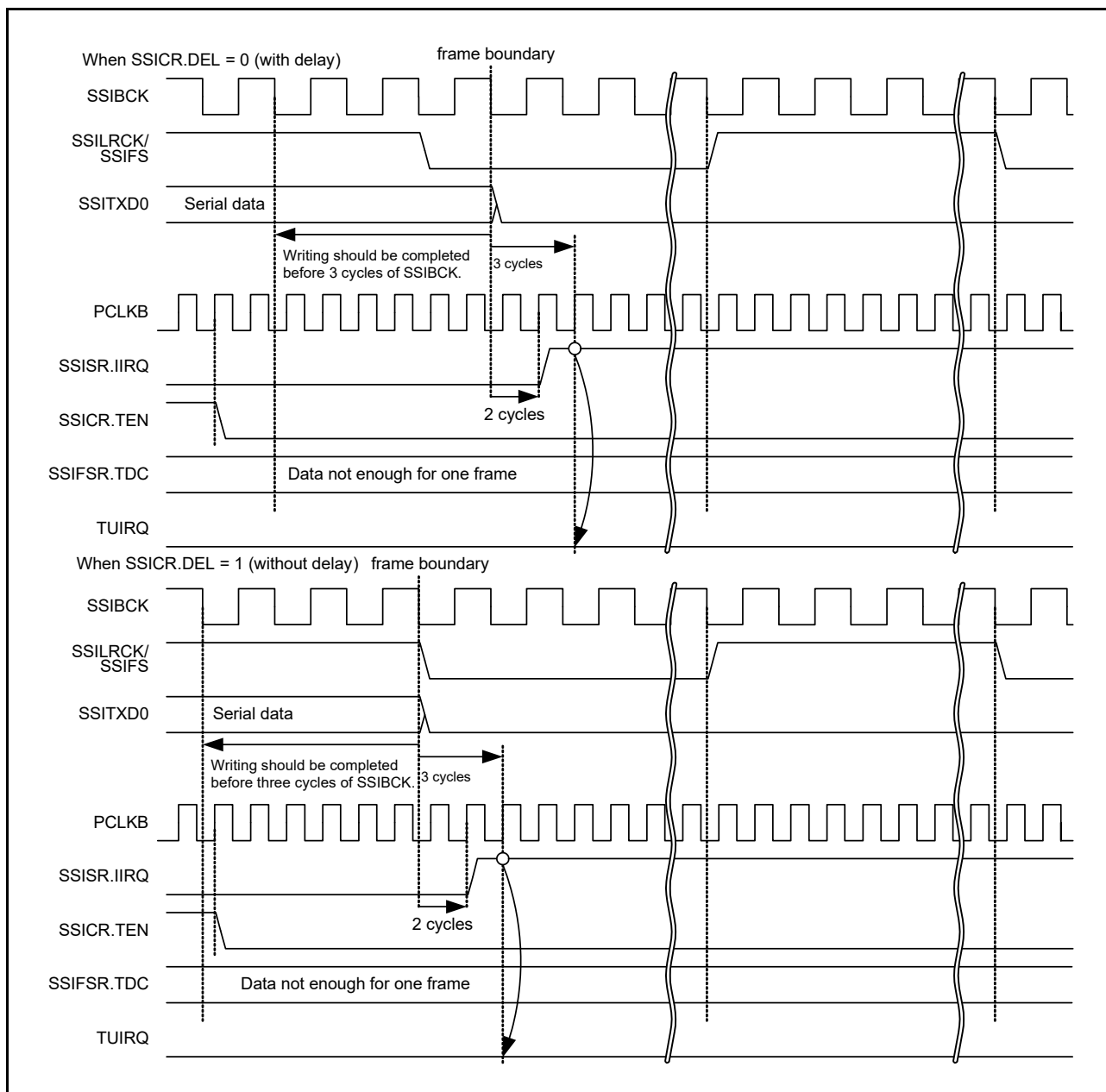


Figure 33.19 TUIRQ setting timing when communication stops

33.4.3 FIFO Control Register (SSIFCR)

Address(es): SSIE0.SSIFCR 4004 E010h

| | | | | | | | | | | | | | | | | |
|--------------------|-------|-----|-----|-----|-----|-----|-----|-----|-----|-----|-----|-----|-----|-----|-------|--------|
| | b31 | b30 | b29 | b28 | b27 | b26 | b25 | b24 | b23 | b22 | b21 | b20 | b19 | b18 | b17 | b16 |
| | AUCKE | — | — | — | — | — | — | — | — | — | — | — | — | — | — | SSIRST |
| Value after reset: | 0 | 0 | 0 | 0 | 0 | 0 | 0 | 0 | 0 | 0 | 0 | 0 | 0 | 0 | 0 | 0 |
| | b15 | b14 | b13 | b12 | b11 | b10 | b9 | b8 | b7 | b6 | b5 | b4 | b3 | b2 | b1 | b0 |
| | — | — | — | — | BSW | — | — | — | — | — | — | — | TIE | RIE | TFRST | RFRST |
| Value after reset: | 0 | 0 | 0 | 0 | 0 | 0 | 0 | 0 | 0 | 0 | 0 | 0 | 0 | 0 | 0 | 0 |

| Bit | Symbol | Bit name | Description | R/W |
|------------|--------|-------------------------------------------------------------|-----------------------------------------------------------------------------------------------|-----|
| b0 | RFRST | Receive FIFO Data Register Reset* ¹ | 0: Clear a receive data FIFO reset condition 1: Set a receive data FIFO reset condition. | R/W |
| b1 | TFRST | Transmit FIFO Data Register Reset* ¹ | 0: Clear a transmit data FIFO reset condition 1: Set a transmit data FIFO reset condition. | R/W |
| b2 | RIE | Receive Data Full Interrupt Output Enable | 0: Disable receive data full interrupts 1: Enable receive data full interrupts. | R/W |
| b3 | TIE | Transmit Data Empty Interrupt Output Enable | 0: Disable transmit data empty interrupts 1: Enable transmit data empty interrupts. | R/W |
| b10 to b4 | — | Reserved | These bits are read as 0. The write value should be 0. | R/W |
| b11 | BSW | Byte Swap Enable* ¹ | 0: Disable byte swap 1: Enable byte swap. | R/W |
| b15 to b12 | — | Reserved | These bits are read as 0. The write value should be 0. | R/W |
| b16 | SSIRST | Software Reset | 0: Clear a software reset condition 1: Set a software reset condition. | R/W |
| b30 to b17 | — | Reserved | These bits are read as 0. The write value should be 0. | R/W |
| b31 | AUCKE | AUDIO_MCK Enable in Master mode Communication* ¹ | 0: Disable supply of AUDIO_MCK 1: Enable supply of AUDIO_MCK. | R/W |

Note 1. Writing to these bits is prohibited while SSIE is in a communication state (SSISR.IIRQ = 0). If the value of these bits is changed by rewriting, subsequent operation is unpredictable.

This register sets a software reset, byte swap, and enabling or disabling of interrupt requests.

RFRST bit (Receive FIFO Data Register Reset)

The RFRST bit sets a software reset of the Receive FIFO Data Register (SSIFRDR). Writing 1 to this bit initializes the internal state related to the SSIFRDR register. The register bits subject to the software reset triggered by this bit are indicated by the shading in Table 33.5. Because this bit is not automatically cleared after it is set, write 0 to this bit to release the register bits from the software reset. After writing 0 to this bit, be sure to check that this bit is 0 before starting the next procedural step.

This bit is subject to the software reset by the SSIRST bit. Because the software reset by the SSIRST bit has priority over the reset by this bit, this bit setting is ignored when the SSIRST bit is set.

Table 33.5 Bits subject to software reset by the RFRST bit

| Symbol | Address (BASE+) | | +0 | | | | | | | | +1 | | | | | | | |
|---------|-----------------|----|-------------|------|--------|--------|----------|-----------|-----------|----------|-----------|----|----------|----|-------|-----------|---------|-----------|
| | | | 31 | 30 | 29 | 28 | 27 | 26 | 25 | 24 | 23 | 22 | 21 | 20 | 19 | 18 | 17 | 16 |
| | | | 15 | 14 | 13 | 12 | 11 | 10 | 9 | 8 | 7 | 6 | 5 | 4 | 3 | 2 | 1 | 0 |
| SSICR | 00h | +0 | — | CKS | TUI EN | TOI EN | RUI EN | ROI EN | IIEN | — | — | — | DWL[2:0] | | | SWL[2:0] | | |
| | | +2 | — | MS T | BCK P | LRC KP | SPD P | SDT A | PDT A | DEL | CKDV[3:0] | | | | MU EN | — | TEN | RE N |
| SSISR | 04h | +0 | — | — | TUI RQ | TOI RQ | RUI RQ | ROI RQ | IIRQ | — | — | — | — | — | — | — | — | |
| | | +2 | — | — | — | — | — | — | — | — | — | — | — | — | — | — | — | |
| SSIFCR | 10h | +0 | AUC KE | — | — | — | — | — | — | — | — | — | — | — | — | — | SSI RST | |
| | | +2 | — | — | — | — | BS W | — | — | — | — | — | — | — | TIE | RIE | TFR ST | RFR ST |
| SSIFSR | 14h | +0 | — | — | — | — | TDC[3:0] | | | — | — | — | — | — | — | — | TDE | |
| | | +2 | — | — | — | — | RDC[3:0] | | | — | — | — | — | — | — | — | RDF | |
| SSIFTDR | 18h | +0 | FTDR[31:16] | | | | | | | | | | | | | | | |
| | | +2 | FTDR[15:0] | | | | | | | | | | | | | | | |
| SSIFRDR | 1ch | +0 | FRDR[31:16] | | | | | | | | | | | | | | | |
| | | +2 | FRDR[15:0] | | | | | | | | | | | | | | | |
| SSIOFR | 20h | +0 | — | — | — | — | — | — | — | — | — | — | — | — | — | — | — | |
| | | +2 | — | — | — | — | — | — | BCK AST P | LRC ON T | — | — | — | — | — | — | — | OMOD[1:0] |
| SSISCR | 24h | +0 | — | — | — | — | — | — | — | — | — | — | — | — | — | — | — | |
| | | +2 | — | — | — | — | — | TDES[2:0] | | | — | — | — | — | — | RDFS[2:0] | | |

TFRST bit (Transmit FIFO Data Register Reset)

The TFRST bit sets a software reset of the Transmit FIFO Data Register (SSIFTDR). Writing 1 to this bit initializes the internal state of the SSIFTDR register. The register bits subject to the software reset triggered by this bit are indicated by the shading in Table 33.6. Because this bit is not automatically cleared after it has been set, write 0 to this bit to release the register bits from the software reset. After writing 0 to this bit, be sure to check that this bit is 0 before starting the next procedural step.

This bit is subject to a software reset by the SSIRST bit. Because the software reset by the SSIRST bit has priority over the reset by this bit, setting this bit is ignored when the SSIRST bit is set.

Table 33.6 Bits subject to software reset by the TFRST bit

| Symbol | Address (BASE+) | +0 | | | | | | | | +1 | | | | | | | | |
|---------|-----------------|----|-------------|------|--------|--------|----------|-----------|-----------|----------|-----------|----|----------|-------|-----|----------|-----------|-----------|
| | | 31 | 30 | 29 | 28 | 27 | 26 | 25 | 24 | 23 | 22 | 21 | 20 | 19 | 18 | 17 | 16 | |
| | | 15 | 14 | 13 | 12 | 11 | 10 | 9 | 8 | 7 | 6 | 5 | 4 | 3 | 2 | 1 | 0 | |
| SSICR | 00h | +0 | — | CKS | TUI EN | TOI EN | RUI EN | ROI EN | IIEN | — | — | — | DWL[2:0] | | | SWL[2:0] | | |
| | | +2 | — | MS T | BCK P | LRC KP | SPD P | SDT A | PDT A | DEL | CKDV[3:0] | | | MU EN | — | TEN | RE N | |
| SSISR | 04h | +0 | — | — | TUI RQ | TOI RQ | RUI RQ | ROI RQ | IIRQ | — | — | — | — | — | — | — | — | |
| | | +2 | — | — | — | — | — | — | — | — | — | — | — | — | — | — | — | |
| SSIFCR | 10h | +0 | AUC KE | — | — | — | — | — | — | — | — | — | — | — | — | — | SSI RST | |
| | | +2 | — | — | — | — | BS W | — | — | — | — | — | — | TIE | RIE | TFR ST | RFR ST | |
| SSIFSR | 14h | +0 | — | — | — | — | TDC[3:0] | | | — | — | — | — | — | — | — | TDE | |
| | | +2 | — | — | — | — | RDC[3:0] | | | — | — | — | — | — | — | — | RDF | |
| SSIFTDR | 18h | +0 | FTDR[31:16] | | | | | | | | | | | | | | | |
| | | +2 | FTDR[15:0] | | | | | | | | | | | | | | | |
| SSIFRDR | 1ch | +0 | FRDR[31:16] | | | | | | | | | | | | | | | |
| | | +2 | FRDR[15:0] | | | | | | | | | | | | | | | |
| SSIOFR | 20h | +0 | — | — | — | — | — | — | — | — | — | — | — | — | — | — | — | |
| | | +2 | — | — | — | — | — | — | BCK AST P | LRC ON T | — | — | — | — | — | — | — | OMOD[1:0] |
| SSISCR | 24h | +0 | — | — | — | — | — | — | — | — | — | — | — | — | — | — | — | |
| | | +2 | — | — | — | — | — | TDES[2:0] | | | — | — | — | — | — | — | RDFS[2:0] | |

RIE bit (Receive Data Full Interrupt Output Enable)

The RIE bit enables or disables the output of receive data full interrupts. Use a receive data full interrupt to trigger data reading from the Receive FIFO Data Register. Write 1 to this bit after specifying the setting condition for receive data full interrupt (using the SSISCR.RDFS bit). Figure 33.20 shows the timing for generating the receive data full interrupt.

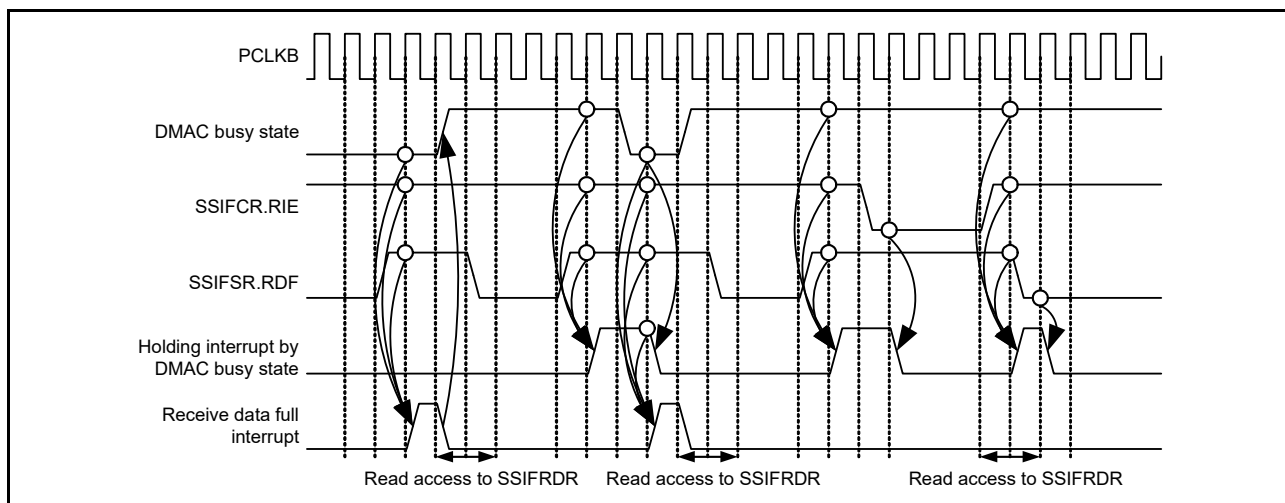


Figure 33.20 Timing of receive data full interrupt

TIE bit (Transmit Data Empty Interrupt Output Enable)

The TIE bit enables or disables the output of transmit data empty interrupts. Use a transmit data empty interrupt to trigger writing data to the Transmit FIFO Data Register. Write 1 to this bit after specifying the setting condition for transmit data empty interrupt (using the SSISCR.TDES bit). Figure 33.21 shows the timing for generating the transmit data empty

interrupt.

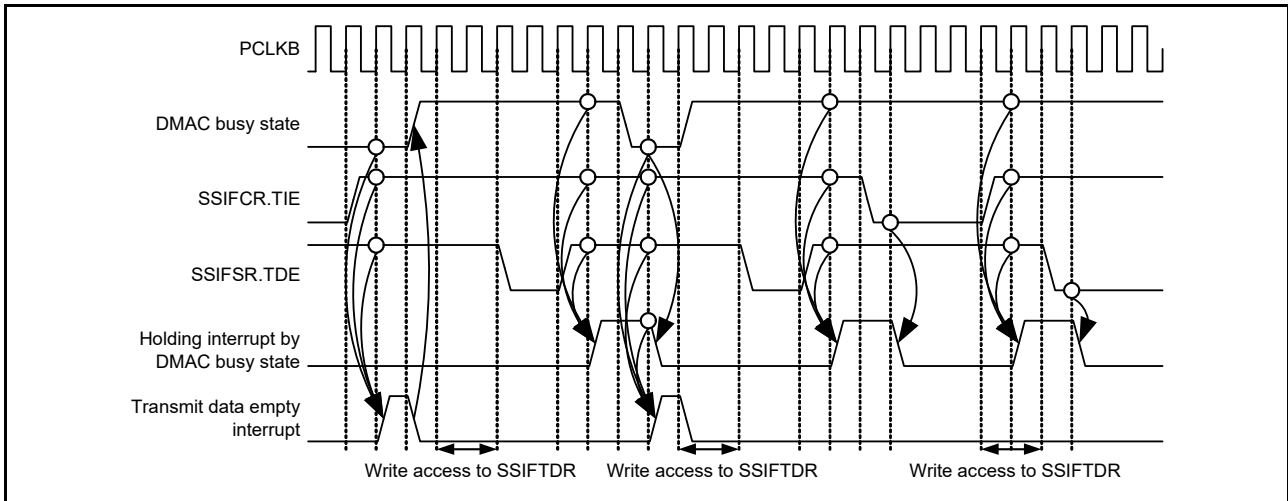


Figure 33.21 Timing of transmit data empty interrupt

BSW bit (Byte Swap Enable)

The BSW bit enables or disables byte swap for register access to the Transmit FIFO Data Register (SSIFTDR) and the Receive FIFO Data Register (SSIFRDR). This bit is valid only with 16-bit access or 32-bit access to SSIFTDR and SSIFRDR. For details, see Figure 33.22.

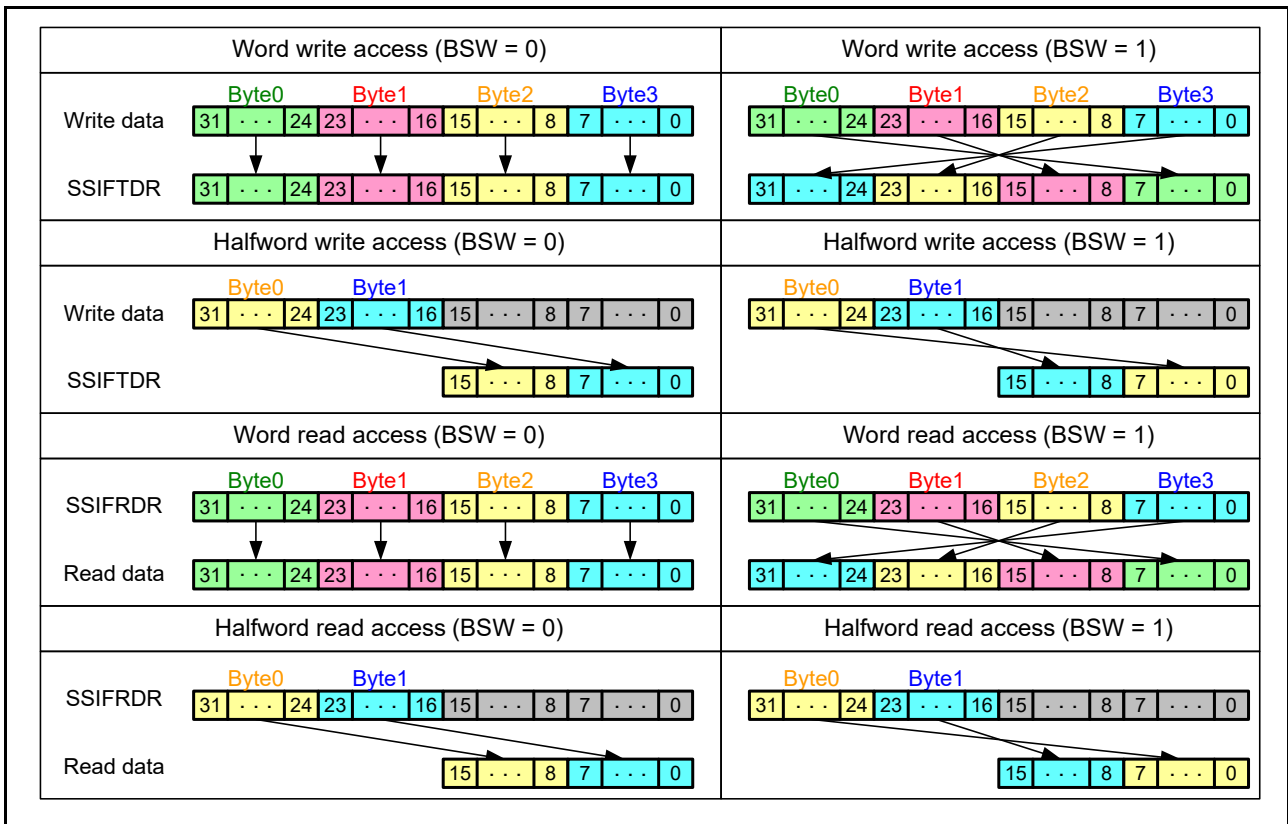


Figure 33.22 Operation example of byte swap

SSIRST bit (Software Reset)

The SSIRST bit sets a software reset of SSIE. Writing 1 to this bit initializes the internal state of SSIE. The register bits subject to the software reset triggered by this bit are indicated by the shading in Table 33.7. Because this bit is not

automatically cleared after it has been set, write 0 to this bit to release the register bits from the software reset. After writing 0 to this bit, be sure to check that this bit is 0 before starting the next procedural step.

To stop SSIE communication immediately, after turning off the peripheral functions, write 1 to this bit. Initialization by a software reset is performed without any relation to the bit clock.

Table 33.7 Bits subject to software reset by the SSIRST bit

| Symbol | Address (BASE+) | +0 | | | | | | | | +1 | | | | | | | | |
|---------|-----------------|----|-------------|-----|--------|--------|----------|-----------|-----------|----------|-----------|----|----------|-------|-----|----------|-----------|-----------|
| | | 31 | 30 | 29 | 28 | 27 | 26 | 25 | 24 | 23 | 22 | 21 | 20 | 19 | 18 | 17 | 16 | |
| | | 15 | 14 | 13 | 12 | 11 | 10 | 9 | 8 | 7 | 6 | 5 | 4 | 3 | 2 | 1 | 0 | |
| SSICR | 00h | +0 | — | CKS | TUI EN | TOI EN | RUI EN | ROI EN | IEN | — | — | — | DWL[2:0] | | | SWL[2:0] | | |
| | | +2 | — | MST | BCKP | LRC | SPD | SDT | PDT | DEL | CKDV[3:0] | | | MU EN | — | TEN | REN | |
| SSISR | 04h | +0 | — | — | TUI RQ | TOI RQ | RUI RQ | ROI RQ | IIRQ | — | — | — | — | — | — | — | — | |
| | | +2 | — | — | — | — | — | — | — | — | — | — | — | — | — | — | — | |
| SSIFCR | 10h | +0 | AUC KE | — | — | — | — | — | — | — | — | — | — | — | — | — | SSI RST | |
| | | +2 | — | — | — | — | BS W | — | — | — | — | — | — | TIE | RIE | TFR ST | RFR ST | |
| SSIFSR | 14h | +0 | — | — | — | — | TDC[3:0] | | | — | — | — | — | — | — | — | TDE | |
| | | +2 | — | — | — | — | RDC[3:0] | | | — | — | — | — | — | — | — | RDF | |
| SSIFTDR | 18h | +0 | FTDR[31:16] | | | | | | | | | | | | | | | |
| | | +2 | FTDR[15:0] | | | | | | | | | | | | | | | |
| SSIFRDR | 1ch | +0 | FRDR[31:16] | | | | | | | | | | | | | | | |
| | | +2 | FRDR[15:0] | | | | | | | | | | | | | | | |
| SSIOFR | 20h | +0 | — | — | — | — | — | — | — | — | — | — | — | — | — | — | — | |
| | | +2 | — | — | — | — | — | — | BCK AST P | LRC ON T | — | — | — | — | — | — | — | OMOD[1:0] |
| SSISCR | 24h | +0 | — | — | — | — | — | — | — | — | — | — | — | — | — | — | — | |
| | | +2 | — | — | — | — | — | TDES[2:0] | | | — | — | — | — | — | — | RDFS[2:0] | |

AUCKE bit (AUDIO_MCK Enable in Master mode Communication)

The AUCKE bit enables or disables the supply to AUDIO_MCK while in master mode communication (MST = 1).

This bit value must be changed only after specifying the settings related to AUDIO_MCK (using the CKS, MST, BCKP, and CKDV bits in the SSICR register).

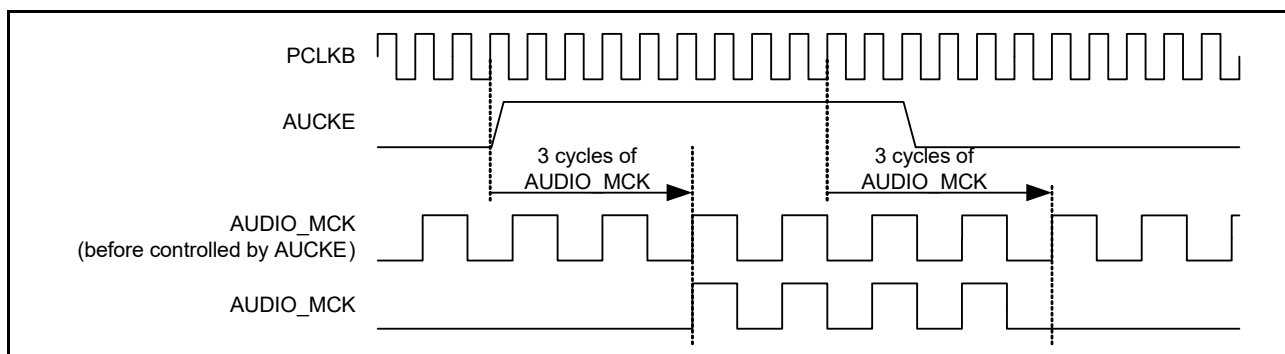


Figure 33.23 Stop/resume of AUDIO_MCK

Note: In slave mode communication (SSICR.MST = 0), SSIE needs the supply of SSIBCK. To stop BCK on the master-side, make sure that SSIE is in an idle state (SSISR.IIRQ = 1). If BCK is stopped before SSIE becomes idle, use the procedure shown in Figure 33.48 to start communication or wait for an idle state by using the procedure in Figure 33.54 to resume communication.

In master mode communication (SSICR.MST = 1), SSIE operates with the audio clock (AUDIO_MCK). To stop SSIE completely, make sure that SSIE is in the idle state (SSISR.IIRQ = 1) and then write 0 to SSIFCR.ADCKE. If 0 is written to SSIFCR.ADCKE before SSIE becomes idle, use the procedure shown in Figure 33.48 to start communication.

Figure 33.24 and Figure 33.25 show the timings of signal operation in the period from setting this bit to 1 to the output to the SSIBCK pin.

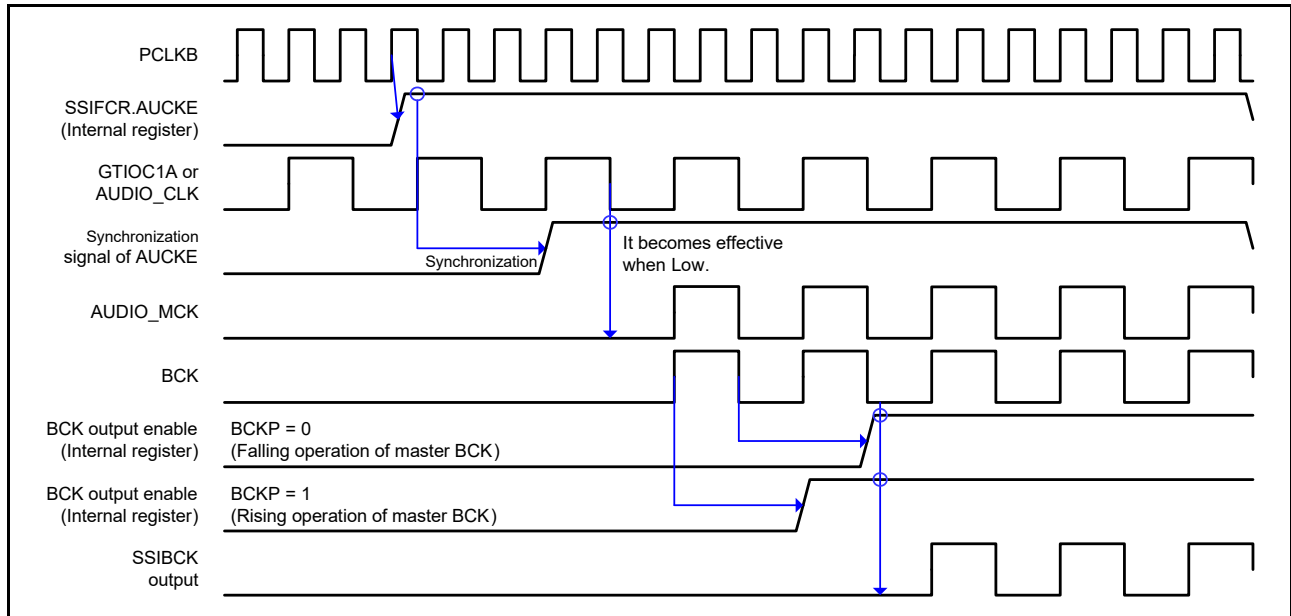


Figure 33.24 Timing diagram for operation from system reset to start of master mode communication

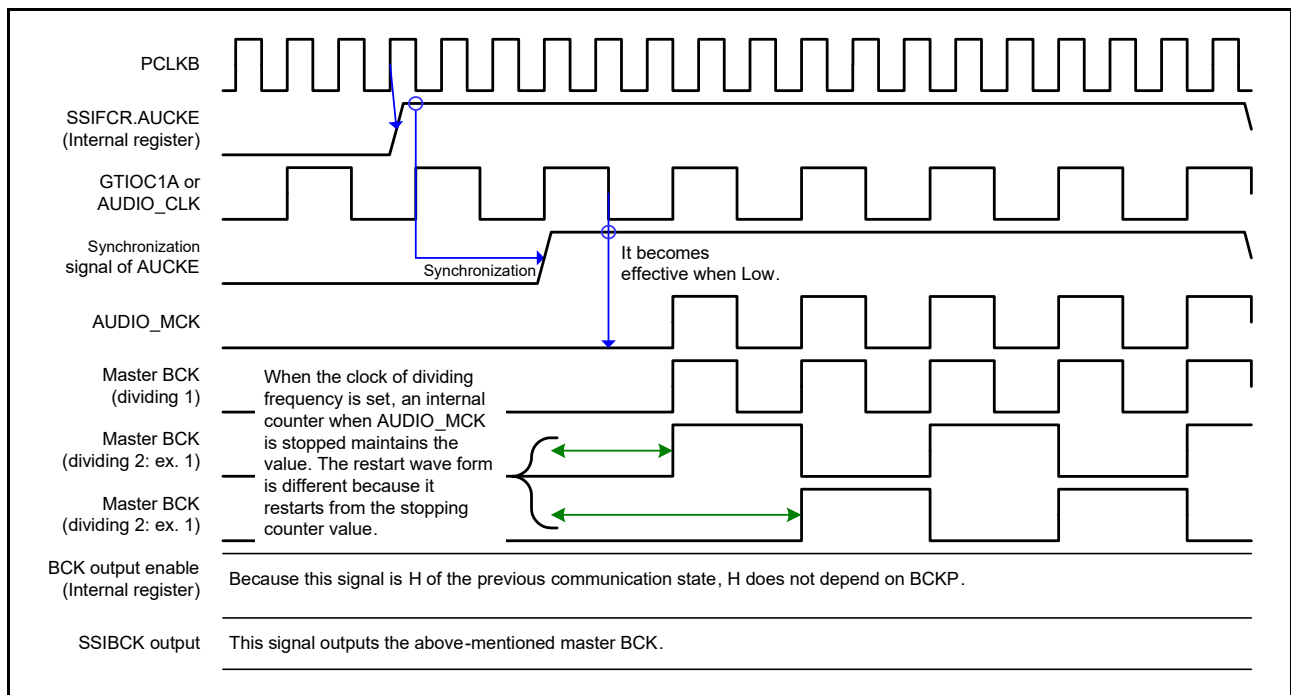


Figure 33.25 Timing diagram for the operation from stopping communication to starting master mode communication

Note: If the supply of AUDIO_MCK stops, the value of the SSIBCK pin is held. Therefore, the SSIBCK signal might stop in the H (high level) state.

33.4.4 FIFO Status Register (SSIFSR)

Address(es): SSIE0.SSIFSR 4004 E014h

| | | | | | | | | | | | | | | | | |
|--------------------|-----|-----|-----|-----|----------|-----|-----|-----|-----|-----|-----|-----|-----|-----|-----|-----|
| | b31 | b30 | b29 | b28 | b27 | b26 | b25 | b24 | b23 | b22 | b21 | b20 | b19 | b18 | b17 | b16 |
| | — | — | — | — | TDC[3:0] | | | — | — | — | — | — | — | — | — | TDE |
| Value after reset: | 0 | 0 | 0 | 0 | 0 | 0 | 0 | 0 | 0 | 0 | 0 | 0 | 0 | 0 | 0 | 1 |
| | b15 | b14 | b13 | b12 | b11 | b10 | b9 | b8 | b7 | b6 | b5 | b4 | b3 | b2 | b1 | b0 |
| | — | — | — | — | RDC[3:0] | | | — | — | — | — | — | — | — | — | RDF |
| Value after reset: | 0 | 0 | 0 | 0 | 0 | 0 | 0 | 0 | 0 | 0 | 0 | 0 | 0 | 0 | 0 | 0 |

| Bit | Symbol | Bit name | Description | R/W |
|------------|----------|----------------------------------------------|----------------------------------------------------------------------------------------------------------------------------------------------------------------------------------|-----|
| b0 | RDF | Receive Data Full Flag | 0: The size of received data in SSIFRDR is not more than the value of SSISCR.RDFS 1: The size of received data in SSIFRDR is not less than the value of SSISCR.RDFS plus one. | R/W |
| b7 to b1 | — | Reserved | These bits are read as 0. The write value should be 0. | R/W |
| b11 to b8 | RDC[3:0] | Number of Receive FIFO Data Indication Flag | Number of receive FIFO data indication flag | R |
| b15 to b12 | — | Reserved | These bits are read as 0. The write value should be 0. | R/W |
| b16 | TDE | Transmit Data Empty Flag | 0: The free space in SSIFTDR is not more than the value of SSISCR.TDES 1: The free space in SSIFTDR is not less than the value of SSISCR.TDES plus one. | R/W |
| b23 to b17 | — | Reserved | These bits are read as 0. The write value should be 0. | R/W |
| b27 to b24 | TDC[3:0] | Number of Transmit FIFO Data Indication Flag | Number of transmit FIFO data indication flag | R |
| b31 to b28 | — | Reserved | These bits are read as 0. The write value should be 0. | R/W |

This register is configured with status flags that indicate the status of the Transmit FIFO Data Register and the Receive FIFO Data Register.

RDF bit (Receive Data Full Flag)

The RDF bit indicates that the Receive FIFO Data Register (SSIFRDR) has unread received data not less than the amount set in the SSISCR.RDFS bit plus one. This flag is set automatically but it must be cleared by register access.

[Priority order for setting and clearing]

- Clearing is prioritized.

[Clearing condition]

Either of the following two conditions:*1

- On writing 0 to this bit after reading 1 from this bit (CPU operation)*2
- At the last access (DTC/DMAC operation) to read data from SSIFRDR by an interrupt routine using the DTC and DMAC.

[Clearing timing]

Clearing timing associated with the above clearing condition:

- When 0 is written to this bit after reading 1 from this bit (same as the timing in [Figure 33.17](#))
- After the PCLKB cycle in which the last access instruction is issued to read data from SSIFRDR by an interrupt routine using the DTC and DMAC.

Note 1. These bits are cleared by a software reset (SSIFCR.SSIRST = 1) and Receive FIFO Data Register Reset (SSIFCR.RFRST = 1). In addition to the software reset and Receive FIFO Data Register reset, these bits can also be reset using the clearing conditions described in this section.

Note 2. After reading 1 from this bit, this bit is cleared when one of the following four conditions is met:

- On a software reset (SSIFCR.SSIRST = 1)
- On a Receive FIFO Data Register Reset (SSIFCR.RFRST = 1)
- On writing 0
- After last access is performed to read data from SSIFRDR by an interrupt routine using the DTC and DMAC.

[Setting condition]

- SSIFRDR has data not less than the amount set in the SSISCR.RDFS bit plus one.

[Setting timing]

- At completion of transfer from the shift register that results in SSIFRDR having data not less than the amount set with the SSISCR.RDFS bit plus one.

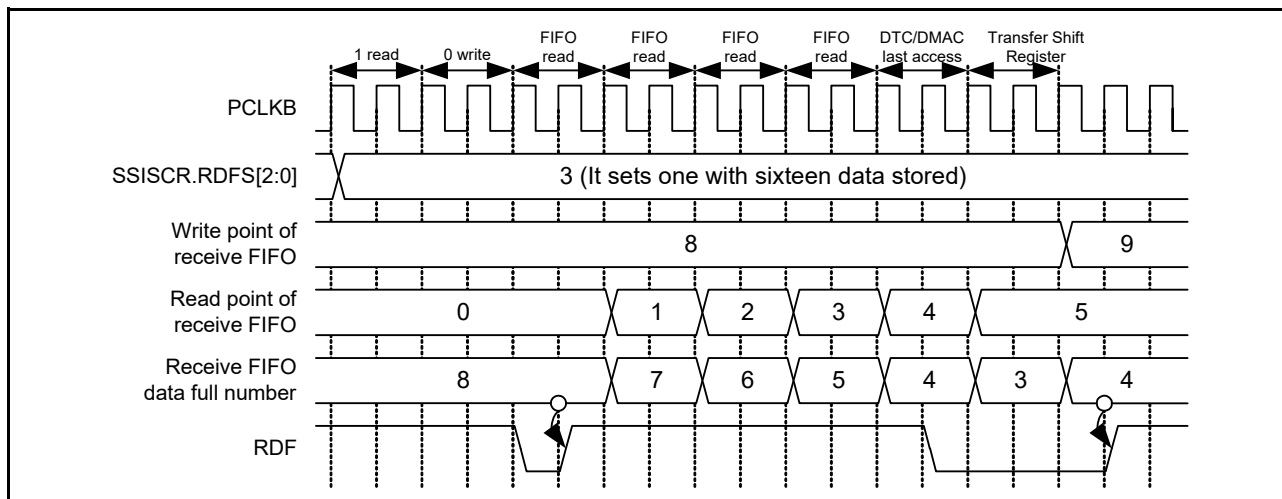


Figure 33.26 Timing diagram for setting and clearing RDF

RDC[3:0] bits (Number of Receive FIFO Data Indication Flag)

The RDC[3:0] bits indicate the amount of valid data stored in the Receive FIFO Data Register (SSIFRDR). When this flag is 0h, there is no received data. When this flag is 8h, the register is filled with received data and there is no free space.

TDE bit (Transmit Data Empty Flag)

The TDE bit indicates that the Transmit FIFO Data Register (SSIFTDR) has free space not less than the amount set in the SSIFCR.TTRG bit plus one. This flag is set automatically but it must be cleared through register access.

[Priority order for setting and clearing]

- Clearing is prioritized.*1

[Clearing condition]

Either of the following two conditions:

1. On writing 0 to this bit after reading 1 from this bit (CPU operation).*
2. At last access (DTC or DMAC operation) to write data to SSIFTDR by an interrupt routine using the DTC and DMAC.

[Clearing timing]

Clearing timing associated with the above clearing condition:

1. When 0 is written to this bit after reading 1 from this bit (same as the timing in [Figure 33.17](#)).
2. At last access (DTC or DMAC operation) to write data to SSIFTDR by an interrupt routine using the DTC and DMAC.

Note 1. This bit is cleared by a software reset (SSIFCR.SSIRST = 1) and Transmit FIFO Data Register Reset (SSIFCR.TFRST = 1). The software reset and Transmit FIFO Data Register reset have priority over all the clearing conditions described above.

- After reading 1 from this bit, this bit is cleared when one of the following four conditions is met:
 - On a software reset (SSIFCR.SSIRST = 1)
 - On a Transmit FIFO Data Register reset (SSIFCR.TFRST = 1)
 - On writing 0
 - At last access to write data to SSIFTDR by an interrupt routine using the DTC and DMAC.

[Setting condition]

- SSIFTDR has free space not less than the amount set in the SSIFCR.TTRG bit plus one.

[Setting timing]

- While operating on PCLKB, SSIFTDR is found to have free space not less than the value set in the SSISCR.TDES bits + 1.

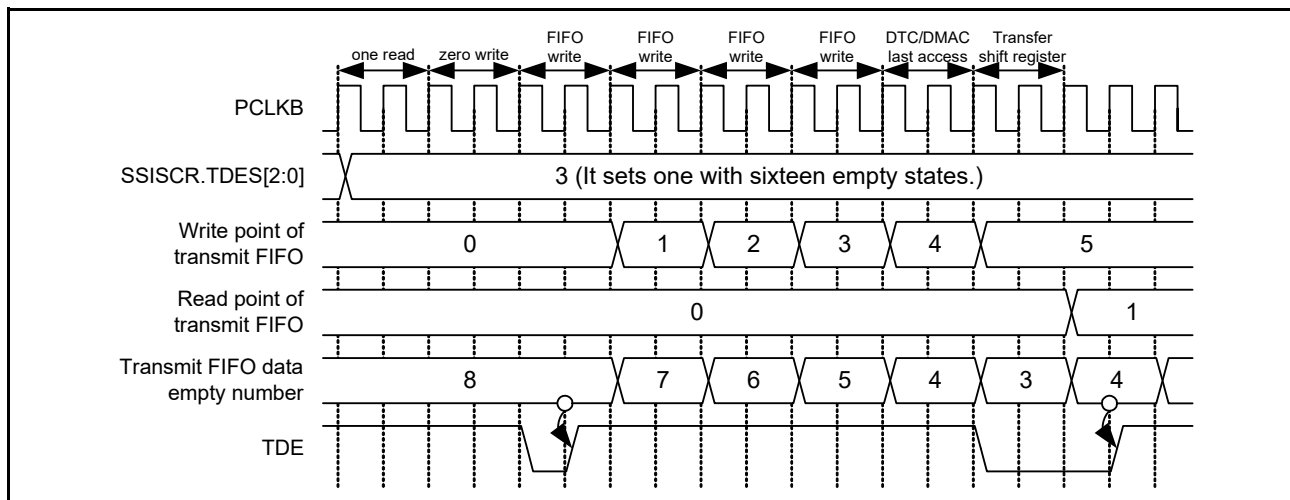


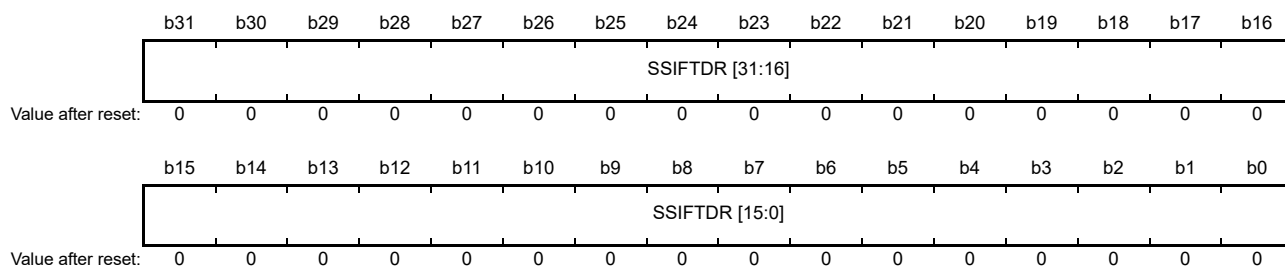
Figure 33.27 Timing diagram for setting and clearing TDE

TDC[3:0] bits (Number of Transmit FIFO Data Indication Flag)

The TDC[3:0] bits indicate the amount of valid data stored in the Transmit FIFO Data Register (SSIFTDR). When this flag is 0h, there is no data to be transmitted. When this flag is 8h, there is no space to write data.

33.4.5 Transmit FIFO Data Register (SSIFTDR)

Address(es): SSIE0.SSIFTDR 4004 E018h



| Bit | Symbol | Bit name | Description | R/W |
|-----------|---------------|--------------------|--------------------|-----|
| b31 to b0 | SSIFTDR[31:0] | Transmit FIFO Data | Transmit FIFO data | W |

This register stores data to be serially transmitted. 0 is returned when this register is read.

When you use this register for transmission, specify writing data to this register as the DTC or DMAC operation that is triggered by a transmit data empty interrupt. Determine the access size to this register according to the data word length to be communicated as shown in Table 33.8.

Table 33.8 Register access restriction to FIFOs

| SSICR.DWL[2:0] | Access Size | | | |
|----------------|--------------------|------|----------|------|
| | Data word length | Byte | Halfword | Word |
| 000b | 8 | √ | - | - |
| 001b | 16 | - | √ | - |
| 010b | 18 | - | - | √ |
| 011b | 20 | - | - | √ |
| 100b | 22 | - | - | √ |
| 101b | 24 | - | - | √ |
| 110b | 32 | - | - | √ |
| 111b | Setting prohibited | - | - | - |

Figure 33.28 shows register access to the Transmit FIFO Data Register.

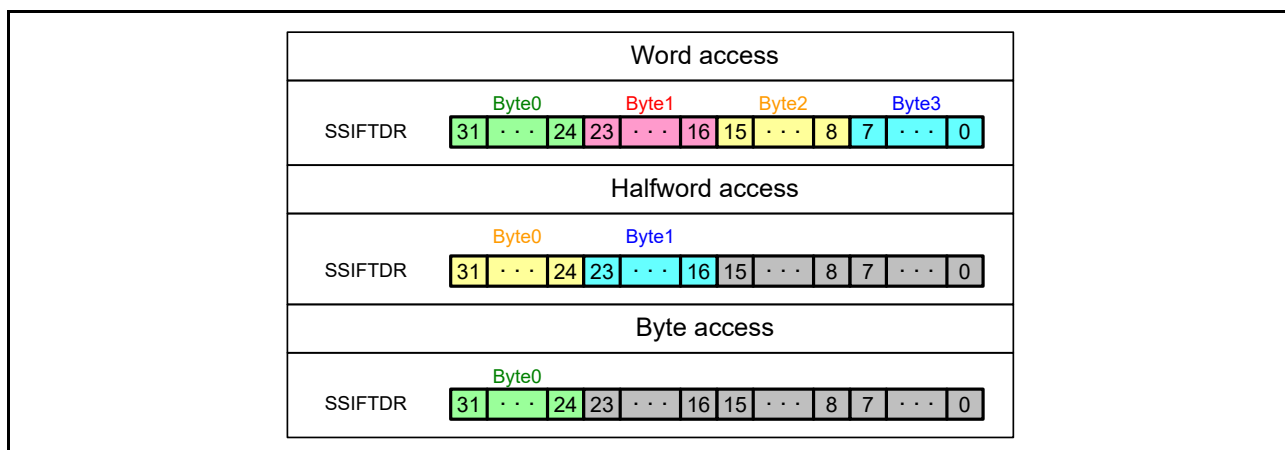


Figure 33.28 Example of register access to the Transmit FIFO Data Register

Figure 33.29 shows the configuration and operation examples of the Transmit FIFO Data Register and Transmit Shift

Register. The configurations are for storing data to FIFO and not related to communication.

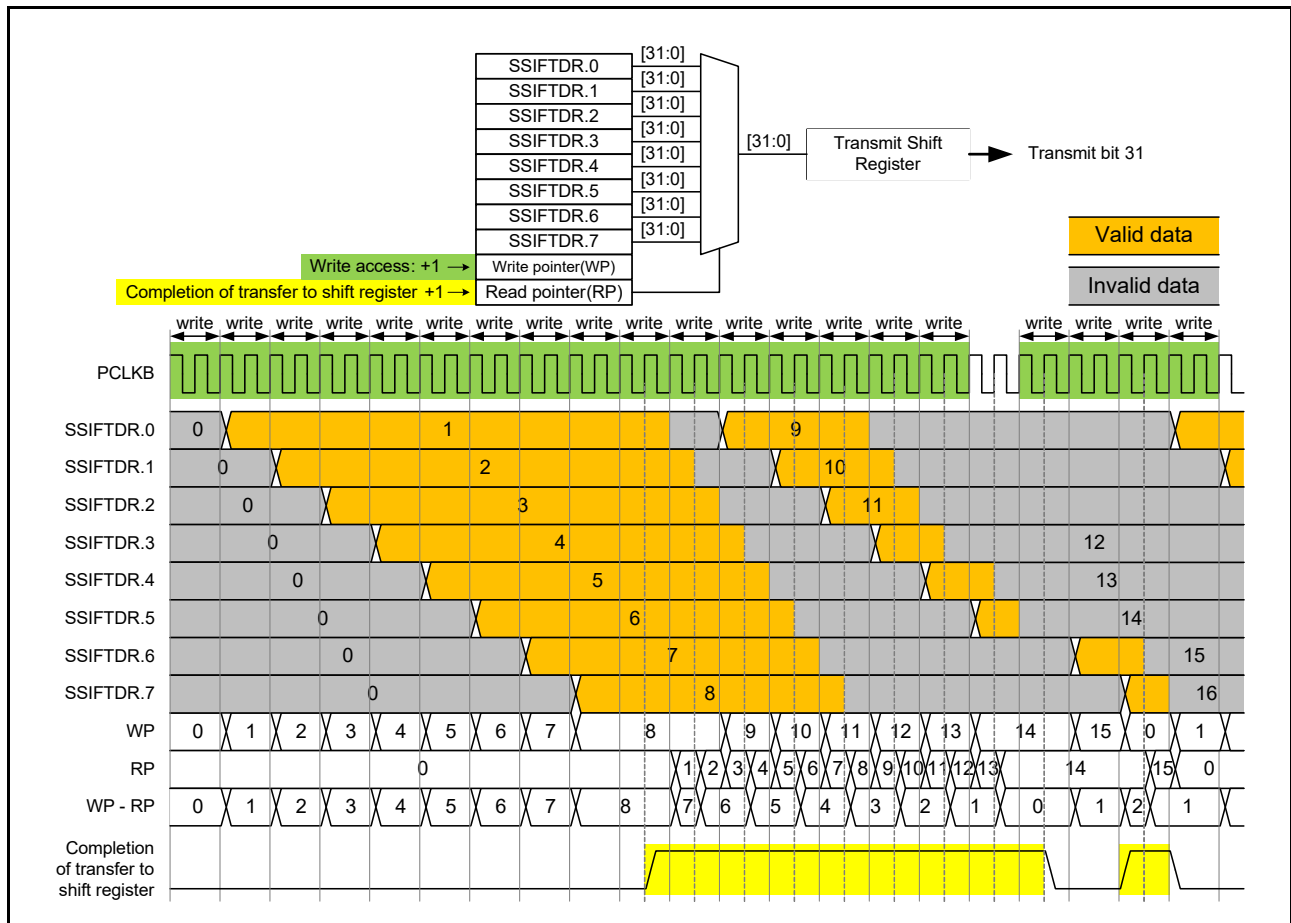
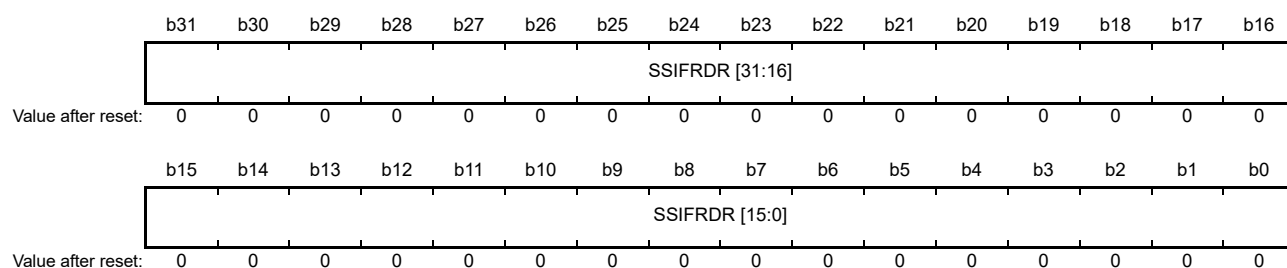


Figure 33.29 Configuration of the Transmit FIFO Data Register and Transmit Shift Register, and FIFO operation example

33.4.6 Receive FIFO Data Register (SSIFRDR)

Address(es): SSIE0.SSIFRDR 4004 E01Ch



| Bit | Symbol | Bit name | Description | R/W |
|-----------|---------------|-------------------|-------------------|-----|
| b31 to b0 | SSIFRDR[31:0] | Receive FIFO Data | Receive FIFO data | R |

When you use this register for reception, specify reading data from this register as the DTC or DMAC operation that is triggered by a receive data full interrupt. Determine the access size to this register according to the data word length to be communicated as shown in [Table 33.8](#).

Register access to the Receive FIFO Data Register is the same as for the Transmit FIFO Data Register.

[Figure 33.29](#) shows the configuration and operation examples of the Receive FIFO Data Register and Receive Shift Register.

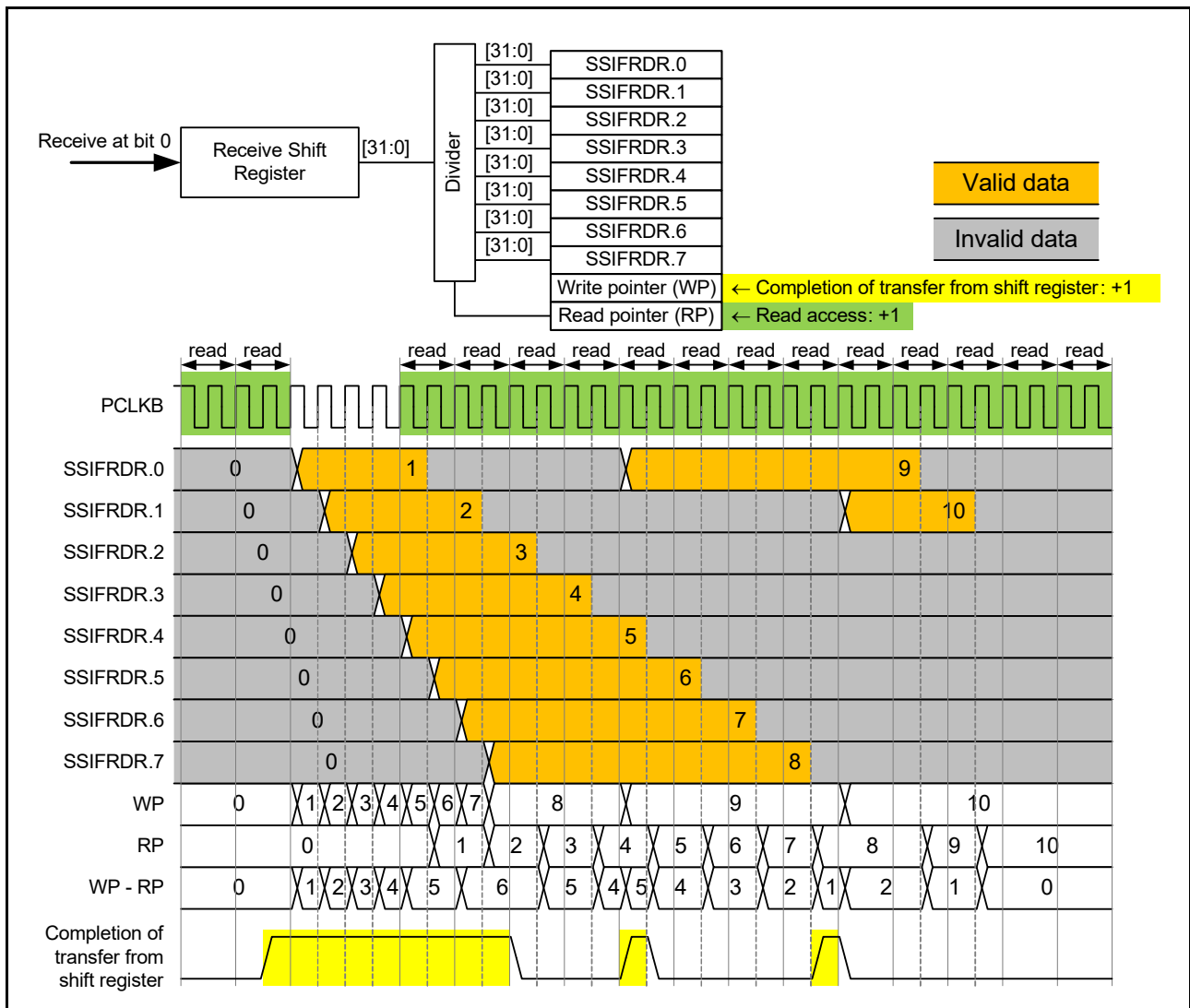


Figure 33.30 Configuration of the Receive FIFO Data Register and Receive Shift Register, and FIFO operation example

33.4.7 TDM Mode Register (SSITDMR)

Address(es): SSIE0.SSITDMR 4004 E020h

| | | | | | | | | | | | | | | | | |
|--------------------|-----|-----|-----|-----|-----|-----|-------------|------------|-----|-----|-----|-----|-----|-----|-----|-----------|
| | b31 | b30 | b29 | b28 | b27 | b26 | b25 | b24 | b23 | b22 | b21 | b20 | b19 | b18 | b17 | b16 |
| | — | — | — | — | — | — | — | — | — | — | — | — | — | — | — | — |
| Value after reset: | 0 | 0 | 0 | 0 | 0 | 0 | 0 | 0 | 0 | 0 | 0 | 0 | 0 | 0 | 0 | 0 |
| | b15 | b14 | b13 | b12 | b11 | b10 | b9 | b8 | b7 | b6 | b5 | b4 | b3 | b2 | b1 | b0 |
| | — | — | — | — | — | — | BCKAS TP | LRCON T | — | — | — | — | — | — | — | OMOD[1:0] |
| Value after reset: | 0 | 0 | 0 | 0 | 0 | 0 | 0 | 0 | 0 | 0 | 0 | 0 | 0 | 0 | 0 | 0 |

| Bit | Symbol | Bit name | Description | R/W |
|------------|-----------|--------------------------------------------------------------------------|-------------------------------------------------------------------------------------------------------|-----|
| b1, b0 | OMOD[1:0] | Audio Format Select ^{*3, *4} | 00: I2S format 01: Setting prohibited 10: Monaural format 11: Setting prohibited. | R/W |
| b7 to b2 | — | Reserved | These bits are read as 0. The write value should be 0. | R/W |
| b8 | LRCONT | Enable LRCK/FS Continuation ^{*1, *2} | 0: Disables LRCK/FS continuation 1: Enables LRCK/FS continuation. | R/W |
| b9 | BCKASTP | Enable Stopping BCK Output When SSIE is in Idle Status ^{*1, *2} | 0: Always outputs BCK to the SSIBCK pin 1: Automatically controls output of BCK to the SSIBCK pin. | R/W |
| b31 to b10 | — | Reserved | These bits are read as 0. The write value should be 0. | R/W |

Note 1. This bit is valid only in master mode communication (SSICR.MST = 1). The setting is invalid in slave mode communication (SSICR.MST = 0).

Note 2. The BCKASTP and LRCONT bits must not be set to 1 simultaneously.

Note 3. While SSIE is communicating (SSISR.IIRQ = 0), writing to these bits is prohibited. If the value of these bits is changed by writing, subsequent operation is unpredictable.

Note 4. When communicating with an other-party device that has an SSIE-compatible communication format, specify and use the communication format that enables communication.

This register sets an audio format, which involves the settings of communication format, LR clock/frame synchronization continuation mode, and BCK output stop.

OMOD[1:0] bits (Audio Format Select)

The OMOD[1:0] bits set an audio format. Write to these bits when the LR clock supply to the SSILRCK/SSIFS pin is stopped. For details about the output of LR clock, see the detailed description of the LRCONT bit in [section 33.4.7, TDM Mode Register \(SSITDMR\)](#).

LRCONT bit (Enable LRCK/FS Continuation)

The LRCONT bit enables or disables the output from the SSILRCK/SSIFS pin in master mode communication (SSICR.MST = 1) when SSIE is in an idle state (SSISR.IIRQ = 1).

Even in the idle state, a signal can output from the SSILRCK/SSIFS pin when this bit is set to 1 (to enable LR clock/frame synchronization continuation) in master mode (SSICR.MST = 1).

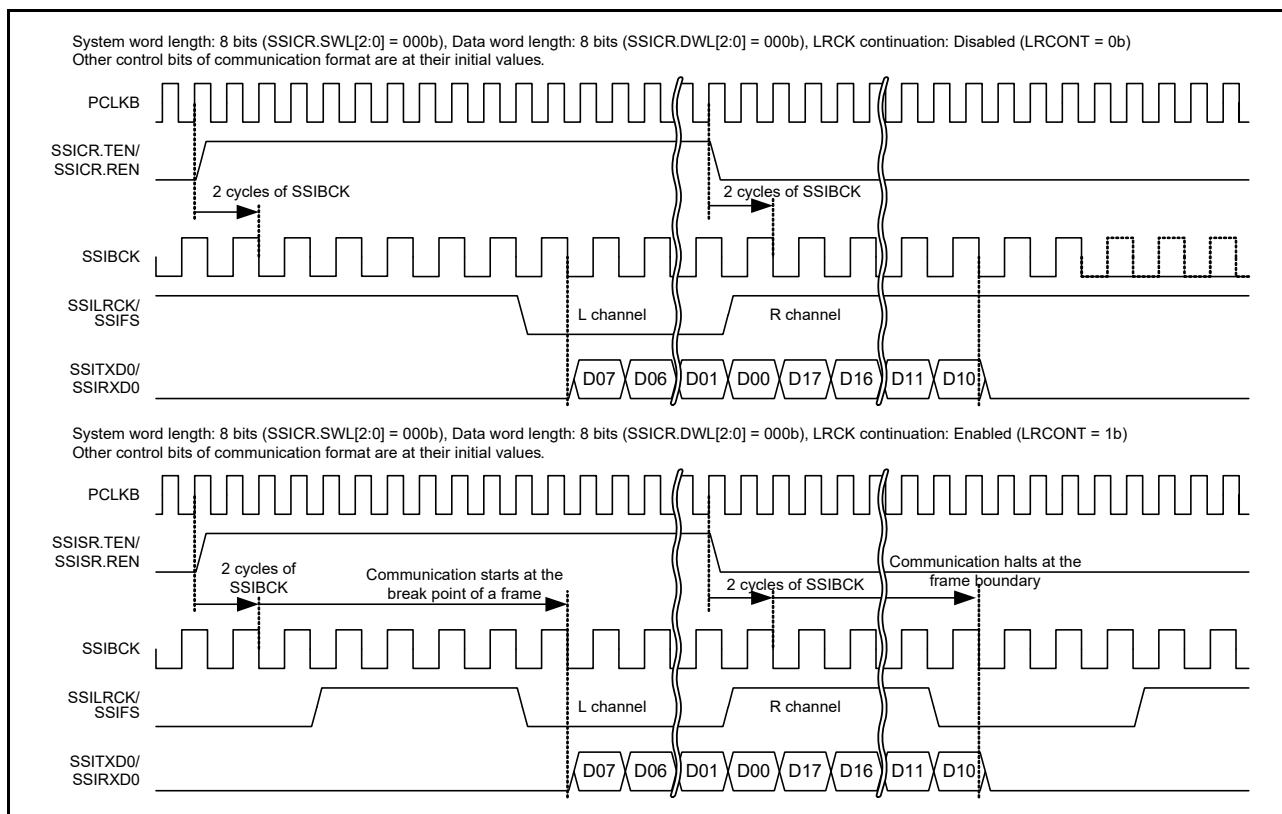


Figure 33.31 Example of LR clock/frame synchronization continuation operation

BCKASTP bit (Enable Stopping BCK Output When SSIE is in Idle Status)

The BCKASTP bit turns on or off the function to output BCK to the SSIBCK pin according to the operation shown in Figure 33.32 and Figure 33.33 in master mode communication (SSICR.MST = 1).

Change the value of this bit only after setting the communication format to be used.

To use this bit:

- Write 0 to the BCKASTP bit, and then start communication
- During the communication, write 1 to the BCKASTP bit. The bit clock output to the SSIBCK pin stops automatically when the communication stops.
- To resume communication, set SSIE to the idle state (SSICR.IIRQ = 1), enable the supply of AUDIO_MCK (SSIFCR.AUCKE = 1), and then write 0 to the BCKASTP bit.

When the communication is in master mode (SSICR.MST = 1) and SSIE is in the idle state (SSICR.IIRQ = 1), the BCKASTP bit status and SSIBCK pin output are as shown in Table 33.9.

Table 33.9 BCKASTP bit status and SSIBCK pin output

| BCKASTP bit | SSIBCK pin output status |
|-------------|--------------------------|
| 0 | Output |
| 1 | Stopped |

Note: The BCKASTP bit cannot be used when an other-party device (which is a slave) requires the clock output from the SSIBCK pin before and during communication. In such a case, use the BCKASTP bit to stop the clock only after communication. For the timing of enabling the clock stop function, see Figure 33.32.

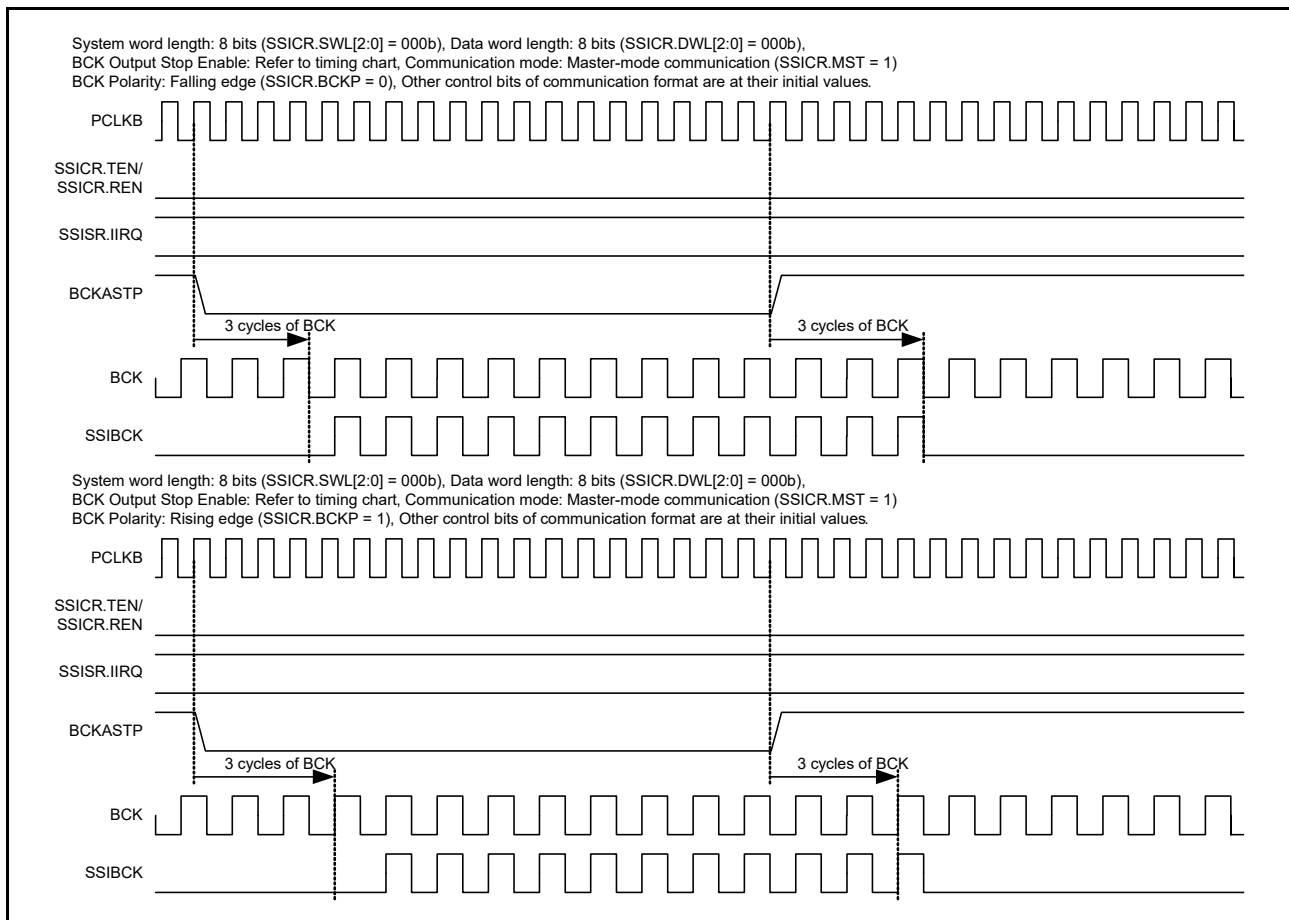


Figure 33.32 Example operation of the BCKASTP bit (idle state)

In master mode communication (SSICR.MST = 1), with the BCK output stop function enabled (BCKASTP = 1), the BCK output to the SSIBCK pin is as follows:

- Output start timing: BCK is output at the appropriate timing so that a valid edge is generated when the LR clock/frame synchronization signal shifts to a valid value
- Output stop timing: 1 to 1.5 clock cycles after a frame boundary.

Figure 33.33 shows the timing details.

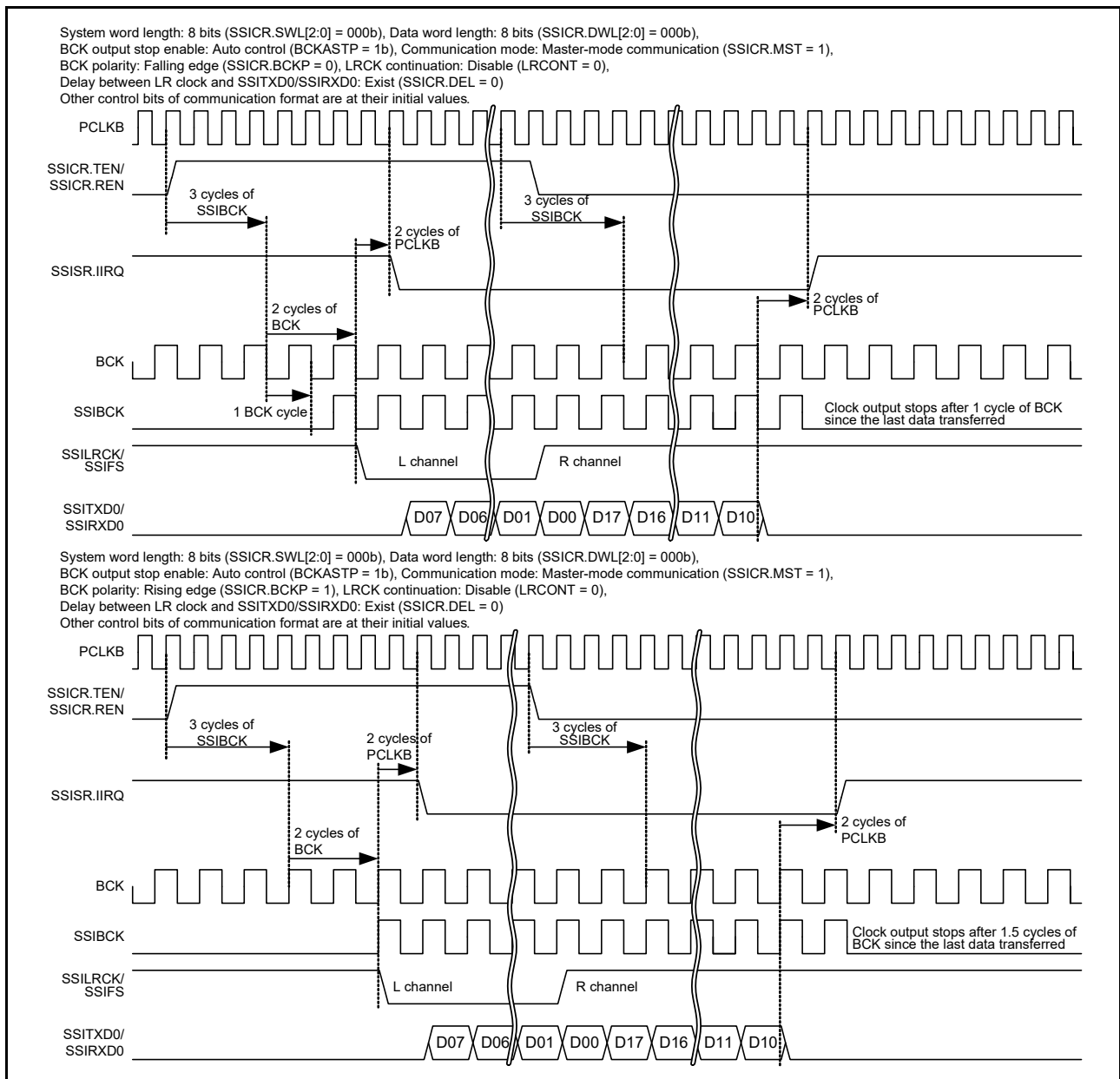
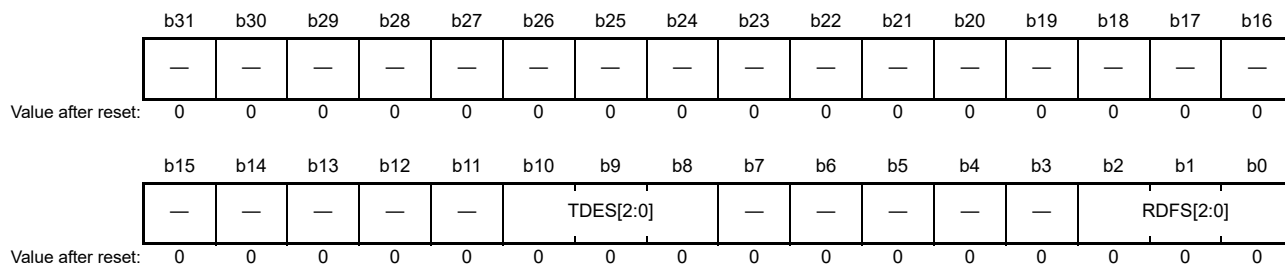


Figure 33.33 Example operation of the BCKASTP bit communication operation with BCKASTP = 1

33.4.8 Status Control Register (SSISCR)

Address(es): SSIE0.SSISCR 4004 E024h



| Bit | Symbol | Bit name | Description | R/W |
|------------|-----------|--------------------------------|-----------------------------------------------------------------------------------------------------------------------------------------------------------------------------------------------------------------------------------|-----|
| b2 to b0 | RDFS[2:0] | RDF Setting Condition Select*1 | b2 b0 0 0 0: SSIFRDR has one stage or more data size 0 0 1: SSIFRDR has two stages or more data size (snip) 1 1 0: SSIFRDR has seven stages or more data size 1 1 1: SSIFRDR has eight stages or more data size. | R/W |
| b7 to b3 | — | Reserved | These bits are read as 0. The write value should be 0. | R/W |
| b10 to b8 | TDES[2:0] | TDE Setting Condition Select*1 | b10 b8 0 0 0: SSIFTDR has one stage or more free space 0 0 1: SSIFTDR has two stages or more free space (snip) 1 1 0: SSIFTDR has seven stages or more free space 1 1 1: SSIFTDR has eight stages or more free space. | R/W |
| b31 to b11 | — | Reserved | These bits are read as 0. The write value should be 0. | R/W |

Note 1. Writing to these bits while SSIE is in a communication state (SSISR.IIRQ = 0) is prohibited. If written, the operation performed immediately after writing is not guaranteed.

RDFS[2:0] bits (RDF Setting Condition Select)

The RDFS[2:0] bits select the setting condition of the Receive Data Full Flag (RDF).

TDES[2:0] bits (TDE Setting Condition Select)

The TDES[2:0] bits select the setting condition of the Transmit Data Empty Flag (TDE).

33.5 Communication Formats

SSIE supports the communication formats as shown in Table 33.10.

Table 33.10 Supported communication formats

| Communication format | SSIOFR.OMOD[1:0] |
|-------------------------|------------------|
| I ² S format | 00 |
| Monaural format | 10 |

This section describes the serial data structure shared by communication formats. A serial data structure is defined by the system word length (set in SSICR.SWL[2:0]) and the data word length (set in SSICR.DWL[2:0]). If the data word length is shorter than the system word length, padding bits are transferred in the serial data. For details, see Figure 33.34.

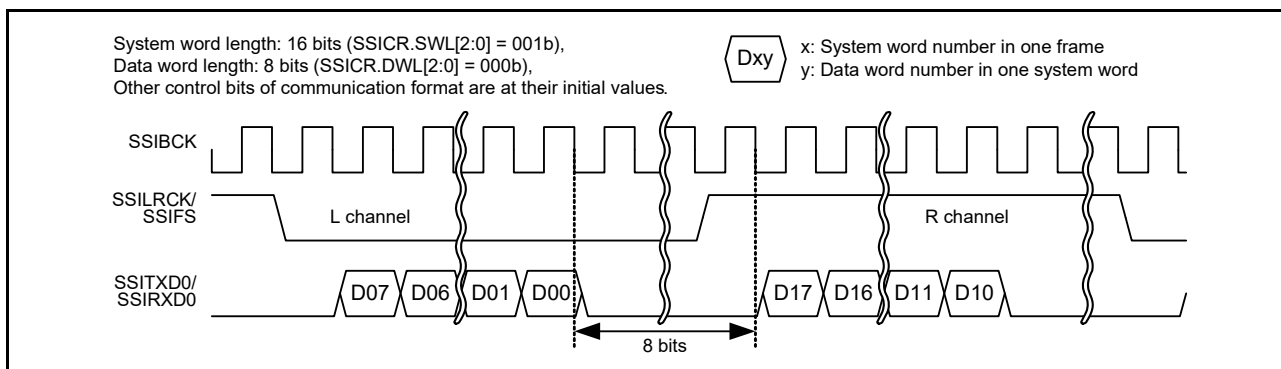


Figure 33.34 Example of padding bit transfer for I²S format, with system word length > data word length

Table 33.11 lists the number of padding bits to be transferred with each combination of system word length (SSICR.SWL[2:0]) and data word length (SSICR.DWL[2:0]). “-” indicates that the setting is prohibited.

Table 33.11 Number of padding bits

| SSICR.DWL[2:0] | | 000b | 001b | 010b | 011b | 100b | 101b | 110b | 111b |
|----------------|--------------------|------|------|------|------|------|------|------|--------------------|
| SSICR.SWL[2:0] | System word length | 8 | 16 | 18 | 20 | 22 | 24 | 32 | Setting prohibited |
| 000b | 8 | 0 | - | - | - | - | - | - | - |
| 001b | 16 | 8 | 0 | - | - | - | - | - | - |
| 010b | 24 | 16 | 8 | 6 | 4 | 2 | 0 | - | - |
| 011b | 32 | 24 | 16 | 14 | 12 | 10 | 8 | 0 | - |
| 100b | 48 | 40 | 32 | 30 | 28 | 26 | 24 | 16 | - |
| 101b | 64 | 56 | 48 | 46 | 44 | 42 | 40 | 32 | - |
| 110b | 128 | 120 | 112 | 110 | 108 | 106 | 104 | 96 | - |
| 111b | 256 | 248 | 240 | 238 | 236 | 234 | 232 | 224 | - |

33.5.1 I²S Format

The I²S format is used for connecting with I²S-compatible serial devices. In this format setting (SSIOFR.OMOD[1:0] = 00b), one frame is configured with two system words, one for the channel L, and the other for channel R. The SSILRCK/SSIFS signals are at a low level for the channel L and at a high level for the channel R. Set the polarity of the signals with the SSICR.LRCKP bit. Figure 33.35 shows the I²S format without padding and Figure 33.34 shows the format with padding.

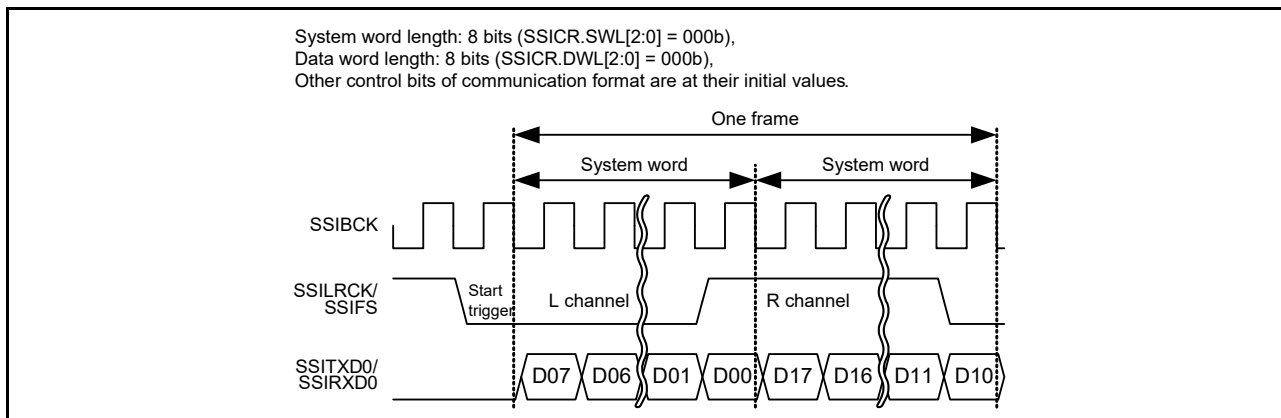


Figure 33.35 I²S format without padding, with system word length = data word length

For the state of external pins when SSIE is in the idle state, see section 33.7.1, Idle State.

Note: The SSILRCK/SSIFS pin in SSIE indicates the synchronization of communication. When SSIE is in slave mode (SSICR.MST = 0), the SSIE communication format must match that of the other-party device to communicate. SSIE uses the signal input by the SSILRCK/SSIFS pin only as a trigger to start communication.

33.5.2 Monaural Format

The monaural format is used for connection with monaural-compatible serial devices. When the monaural format is specified (SSIOFR.OMOD[1:0] = 10b) for use, one frame consists of one system word. Also, a rising edge of the SSILRCK/SSIFS signal indicates a communication start trigger. Figure 33.36 and Figure 33.37 respectively show the monaural formats without and with padding.

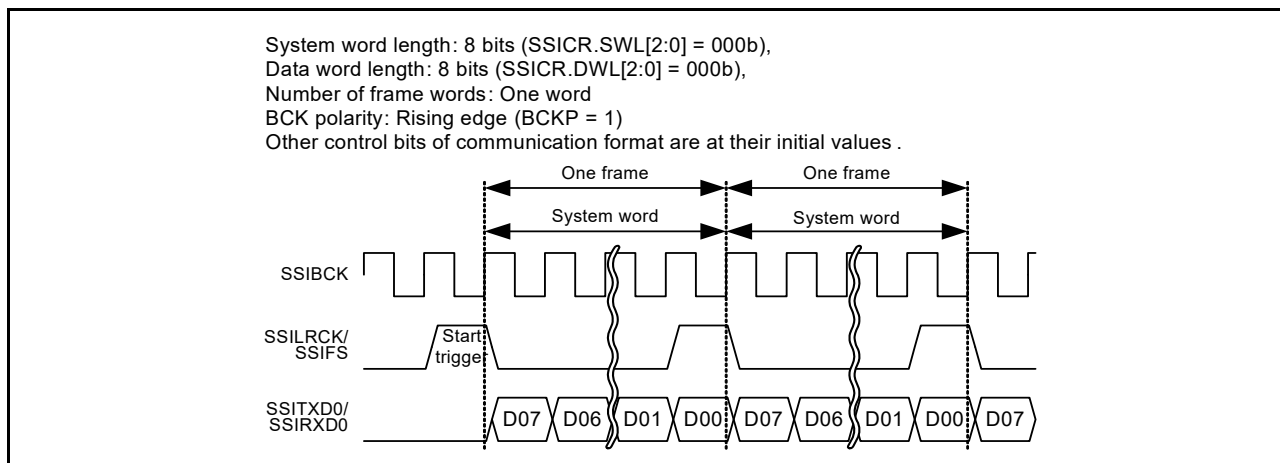


Figure 33.36 Short frame in monaural format without padding, with the system word length = data word length

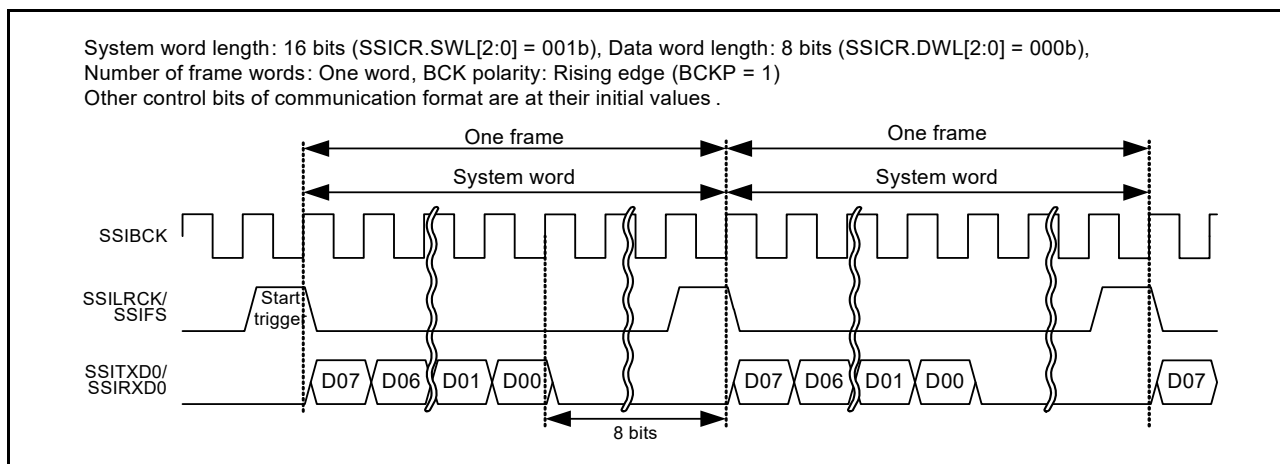


Figure 33.37 Short frame in monaural format with padding, with system word length > data word length

The monaural formats supported by SSIE consist of short frames and long frames. See section 33.5.2.1, Short frame and section 33.5.2.2, Long frame for the difference between these two frames.

For the state of external pins state when SSIE is in the idle state, see section 33.7.1, Idle State.

Note: The SSILRCK/SSIFS pin in SSIE indicates the synchronization of communication. When SSIE is in slave mode (SSICR.MST = 0), the SSIE communication format must match that of the other-party device to communicate. SSIE uses the signal input by the SSILRCK/SSIFS pin only as a trigger to start communication.

33.5.2.1 Short frame

When a short frame is used (SSICR.DEL = 0), the SSILRCK/SSIFS signal indicating the start of serial data is set to high level only for 1 cycle of SSIBCK. Data transfer starts at the falling edge of the signal.

33.5.2.2 Long frame

When a long frame is used (SSICR.DEL = 1), the SSILRCK/SSIFS signal indicating the start of serial data is set to high level only for 2 cycles of SSIBCK. Figure 33.38 shows the long frame in monaural format without padding. Data transfer starts at the rising edge of the signal.

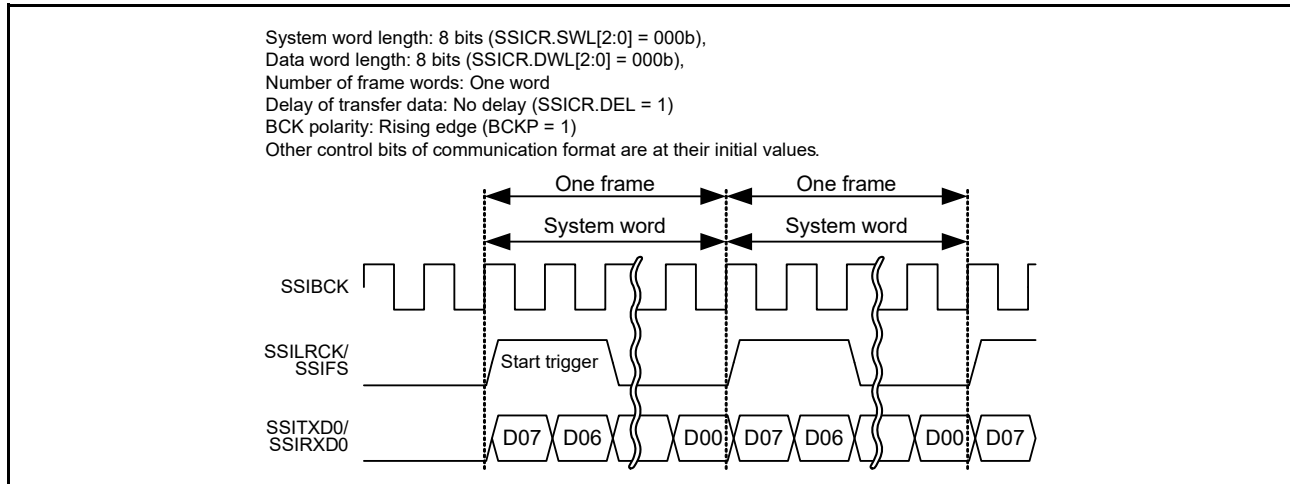


Figure 33.38 Long frame in monaural format without padding

33.6 Communication Modes

Table 33.12 lists the communication modes supported by the SSIE. Table 33.13 lists the control bits that are not available with each communication mode. See section 33.6.1, Slave Mode Communication to section 33.6.5, Transmission and Reception for details on these communication modes.

Table 33.12 Communication modes

| Communication mode | SSICR.MST bit | SSICR.REN bit | SSICR.TEN bit |
|----------------------------------------|---------------|---------------|---------------|
| Slave mode transmission | 0 | 0 | 1 |
| Slave mode reception | 0 | 1 | 0 |
| Slave mode transmission and reception | 0 | 1 | 1 |
| Master mode transmission | 1 | 0 | 1 |
| Master mode reception | 1 | 1 | 0 |
| Master mode transmission and reception | 1 | 1 | 1 |

Table 33.13 Control bits that cannot be used in each communication mode (1 of 2)

| Control bit | Communication Mode | | | | | |
|---------------|----------------------|-------------------------|---------------------------------------|-----------------------|--------------------------|----------------------------------------|
| | Slave mode reception | Slave mode transmission | Slave mode transmission and reception | Master mode reception | Master mode transmission | Master mode transmission and reception |
| SSICR.CKS | Invalid | Invalid | Invalid | Available | Available | Available |
| SSICR.CKDV | Invalid | Invalid | Invalid | Available | Available | Available |
| SSICR.MUEN | Invalid | Available | Available | Invalid | Available | Available |
| SSICR.TEN | Invalid | Available | Available | Invalid | Available | Available |
| SSICR.REN | Available | Invalid | Available | Available | Invalid | Available |
| SSIFCR.AUCKEN | Invalid | Invalid | Invalid | Available | Available | Available |
| SSIFCR.TIE | Invalid | Available | Available | Invalid | Available | Available |

Table 33.13 Control bits that cannot be used in each communication mode (2 of 2)

| Control bit | Communication Mode | | | | | |
|----------------|----------------------|-------------------------|---------------------------------------|-----------------------|--------------------------|----------------------------------------|
| | Slave mode reception | Slave mode transmission | Slave mode transmission and reception | Master mode reception | Master mode transmission | Master mode transmission and reception |
| SSIFCR.RIE | Available | Invalid | Available | Available | Invalid | Available |
| SSIFCR.TFRST | Invalid | Available | Available | Invalid | Available | Available |
| SSIFCR.RFRST | Available | Invalid | Available | Available | Invalid | Available |
| SSIOFR.BCKASTP | Invalid | Invalid | Invalid | Available | Available | Available |
| SSIOFR.LRCONT | Invalid | Invalid | Invalid | Available | Available | Available |
| SSIOFR.OMOD | Available | Available | Available | Available | Available | Available |
| SSISCR.TDES | Invalid | Available | Available | Invalid | Available | Available |
| SSISCR.RDFS | Available | Invalid | Available | Available | Invalid | Available |

Note 1. Invalid means it has no effect on operation. Writing is possible.

33.6.1 Slave Mode Communication

When SSICR.MST = 0, SSIE operates in slave mode. The SSIBCK and SSILRCK/SSIFS signals used for serial-data communication must be supplied from an external device. If the communication format of these signals does not match that of the SSIE, operation is unpredictable.

33.6.2 Master Mode Communication

When SSICR.MST = 1, SSIE operates in master mode. The SSIBCK and SSILRCK/SSIFS signals used for serial data communication must be internally generated from the audio clock. The signal format is dictated by the SSIE. If the communication format of the slave device does not match the SSIE communication format, the operation is unpredictable.

33.6.3 Transmission

SSIE transmits serial data to the other-party device when the SSICR.TEN bit is 1 and the SSICR.REN bit is 0. If the communication format of the other-party device does not match the SSIE communication format, the operation is unpredictable.

33.6.4 Reception

SSIE receives serial data from the other-party device when the SSICR.TEN bit is 0 and the SSICR.REN bit is 1. If the communication format the other-party device uses does not match the SSIE communication format, the operation is unpredictable.

33.6.5 Transmission and Reception

SSIE transmits and receives serial data to and from the other-party device when the SSICR.TEN bit is 1 and the SSICR.REN bit is 1. If the communication format of the other-party device does not match the SSIE communication format, the operation is unpredictable.

33.7 Operation

SSIE has the following two main operation states:

- Idle state (SSISR.IIRQ = 1)
- Communication state (SSISR.IIRQ = 0).

Figure 33.39 shows SSIE state transition.

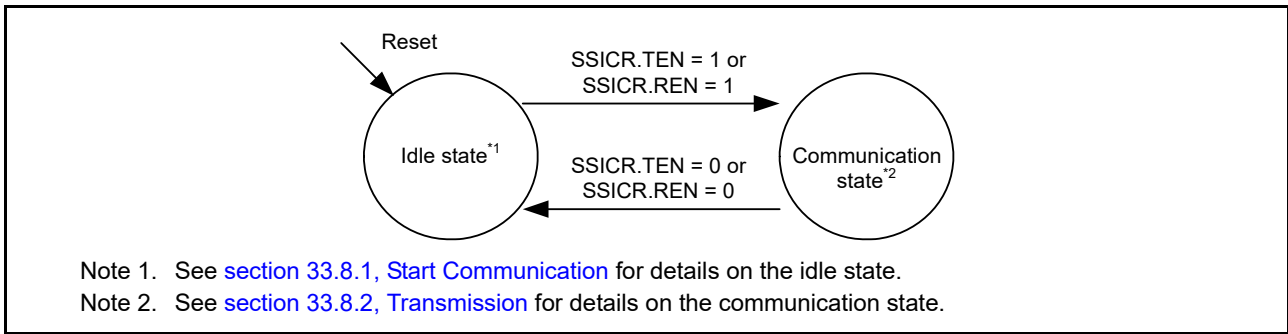


Figure 33.39 SSIE state transition

33.7.1 Idle State

In this state, SSIE communication is halted. However, if the SSICR.MST bit is 1, output of the BCK and LR clock/frame synchronization signals to the external pins can be controlled based on the settings of SSIOFR.BCKASTP and SSIOFR.LRCONT bits. This function is common to all formats. For details, see Table 33.14.

Table 33.14 Output from external pins in the idle state

| SSICR.MST | SSIOFR.BCKASTP | SSIOFR.LRCONT | Output from pins | | |
|-----------|----------------|---------------|------------------|---------------|---------|
| | | | SSIBCK | SSILRCK/SSIFS | SSITXD0 |
| 0 | - | - | Stop | Stop | Stop |
| 1 | 0 | 0 | Supply | Stop | Stop |
| 1 | 0 | 1 | Supply | Supply | Stop |
| 1 | 1 | 0 | Stop | Stop | Stop |
| 1 | 1 | 1 | Stop | Supply | Stop |

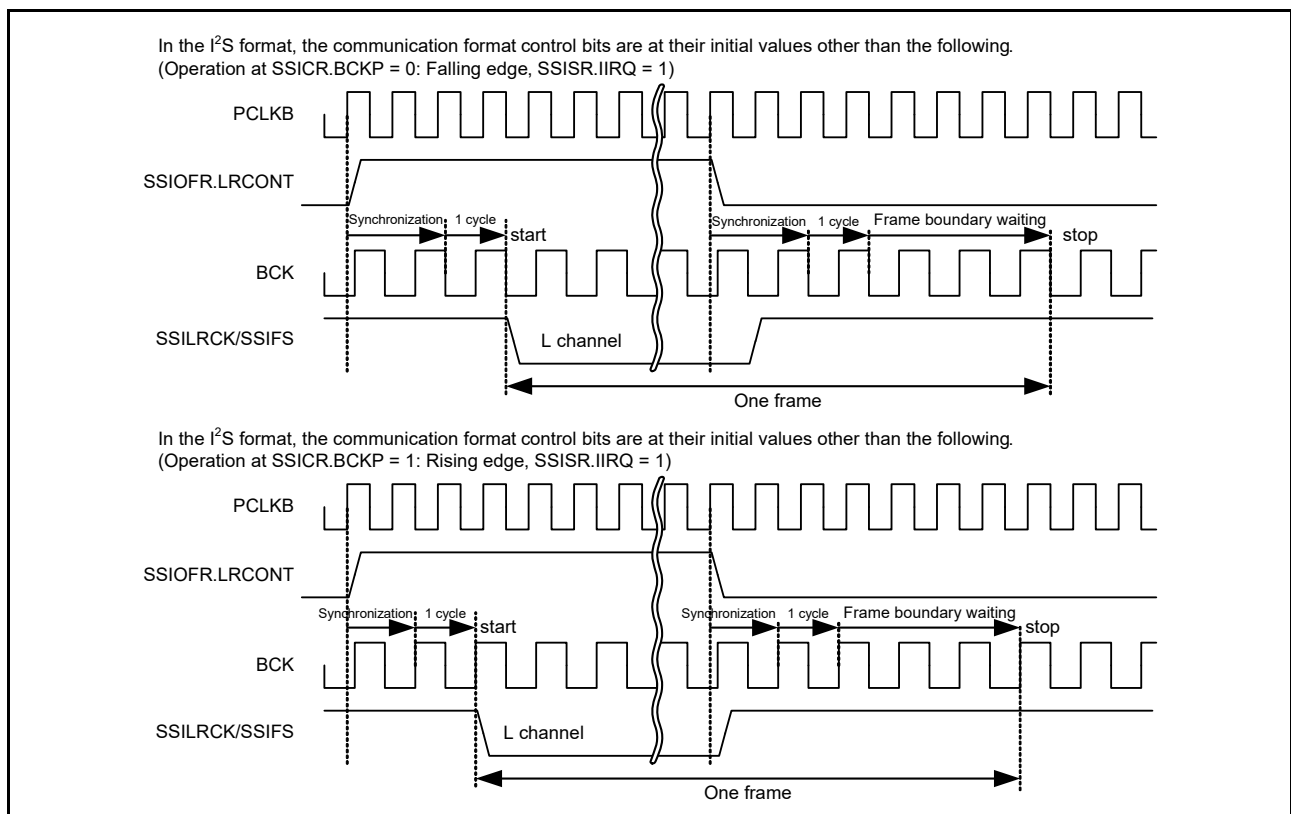


Figure 33.40 Example of disabling LR clock/frame synchronization continuation by SSIOFR.LRCONT

Note: In master mode communication (SSICR.MST = 1), when SSIE is in the idle state, the output to the SSILRCK/SSIFS pin can be stopped by changing the value of the SSIOFR.LRCONT bit from 1 to 0. Make sure that the other-party device is not affected.

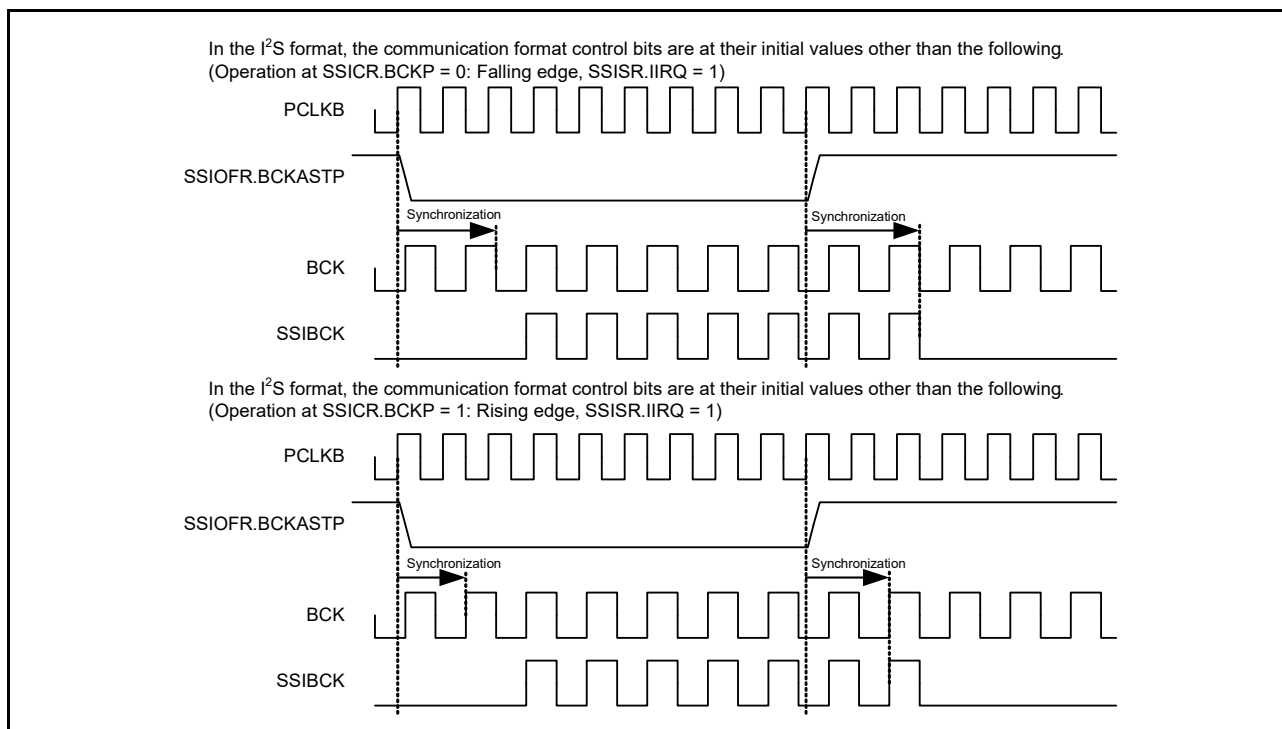


Figure 33.41 Example of stopping SSIBCK with SSIOFR.BCKASTP

Note: In master mode communication (SSICR.MST = 1) for SSIE in the idle state, the output to the SSIBCK pin stops when the value of the SSIOFR.BCKASTP bit is changed from 0 to 1. Make sure that the other-party device is not affected.

33.7.2 Communication States

Figure 33.42 shows transitions of communication states and Table 33.15 lists the conditions for transition. If the transition condition is not satisfied, the state does not transit.

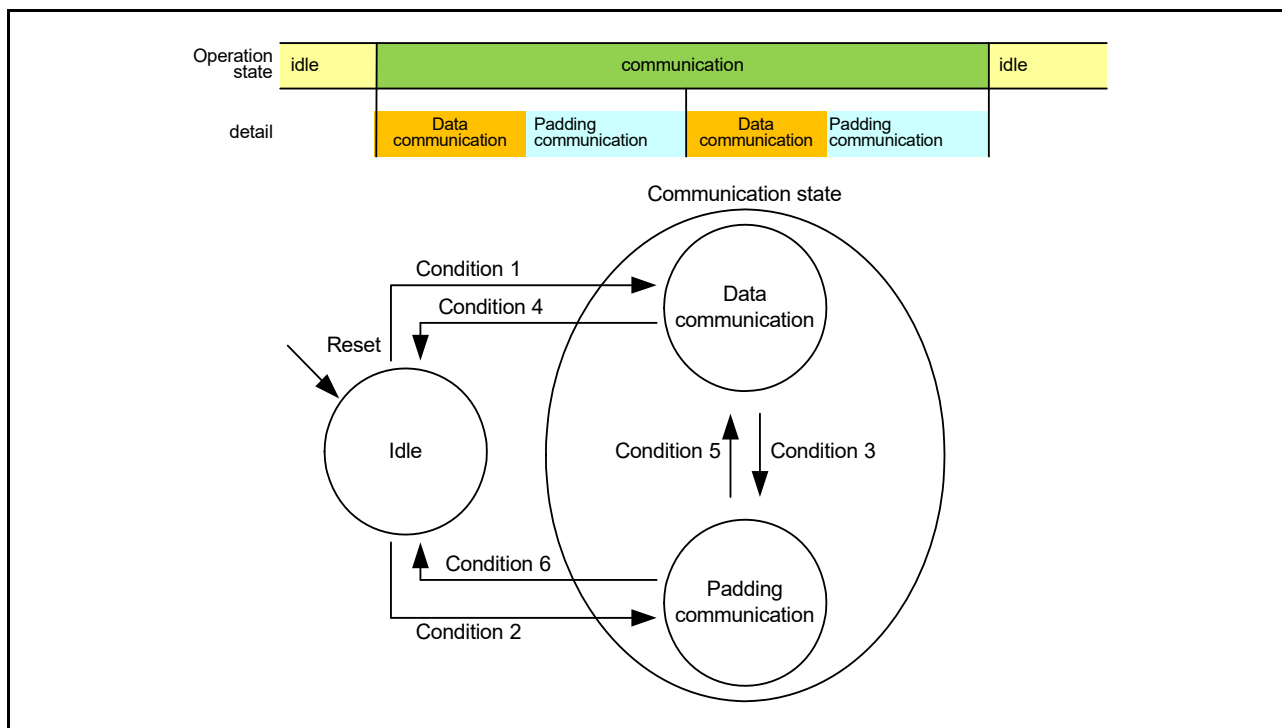


Figure 33.42 Communication state transition

Table 33.15 Condition for communication state transition

| Condition number | Condition for transition |
|------------------|---------------------------------------------------------------------------------------------------------------------------------------------------------------------------------------------------------------------------------------------------------|
| 1 | Writing SSICR.TEN = 1 or SSICR.REN = 1 while SSICR.SDTA = 0 or in the setting without padding bits |
| 2 | Writing SSICR.TEN = 1 or SSICR.REN = 1 while SSICR.SDTA = 1 and in the setting with padding bits |
| 3 | The following three conditions are all met: <ul style="list-style-type: none"> • SSICR.TEN = 1 or SSICR.REN = 1 • In the setting with padding bits • The last bit of the data words has been transferred. |
| 4 | Both the following two conditions are met: <ul style="list-style-type: none"> • SSICR.SDTA = 1 or without padding bits • While SSICR.TEN = 0 and SSICR.REN = 0, the last bit of the data words in a frame has been transferred. |
| 5 | Transfer of the last padding bit is completed while SSICR.TEN = 1 or SSICR.REN = 1 |
| 6 | Both the following two conditions are met: <ul style="list-style-type: none"> • SSICR.SDTA = 0 and with padding bits • While SSICR.TEN = 0 and SSICR.REN = 0, the last padding bit has been transferred. |

See Table 33.11 for the setting with or without padding bits.

33.7.2.1 Data communication state

In this state, SSIE is in communication. Data with the word length set in the SSICR.DWL[2:0] bits is transmitted, received, or transmitted and received.

- State transition in the setting without padding bits

During communication (SSISR.IIRQ = 0), SSIE is in data communication throughout. By disabling transmission and reception (SSICR.TEN = 0, SSICR.REN = 0), SSIE transits to the idle state. For details, see Figure 33.43 and Figure 33.44.

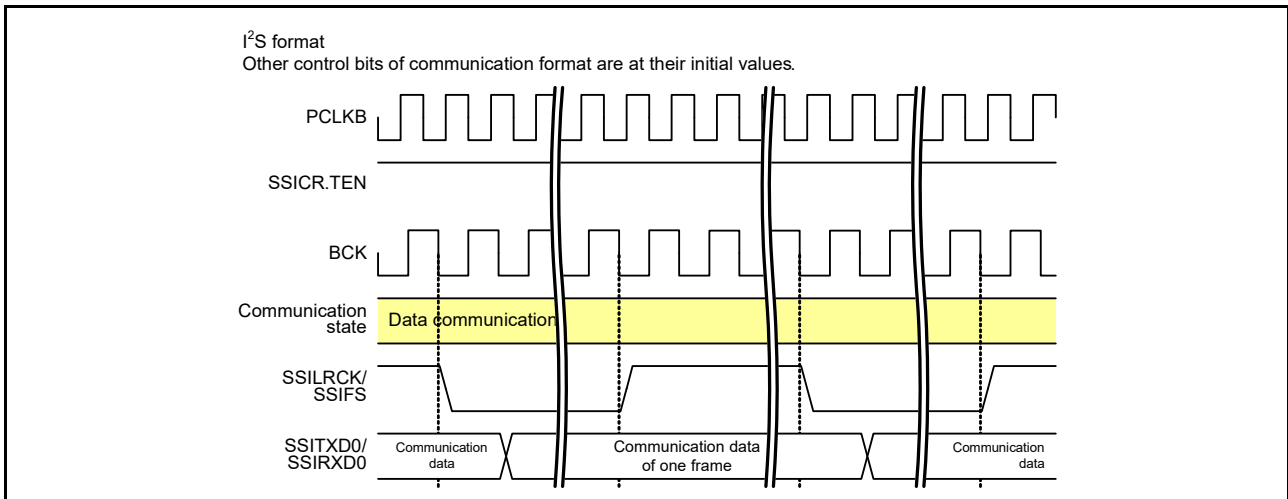


Figure 33.43 Continuation of data communication

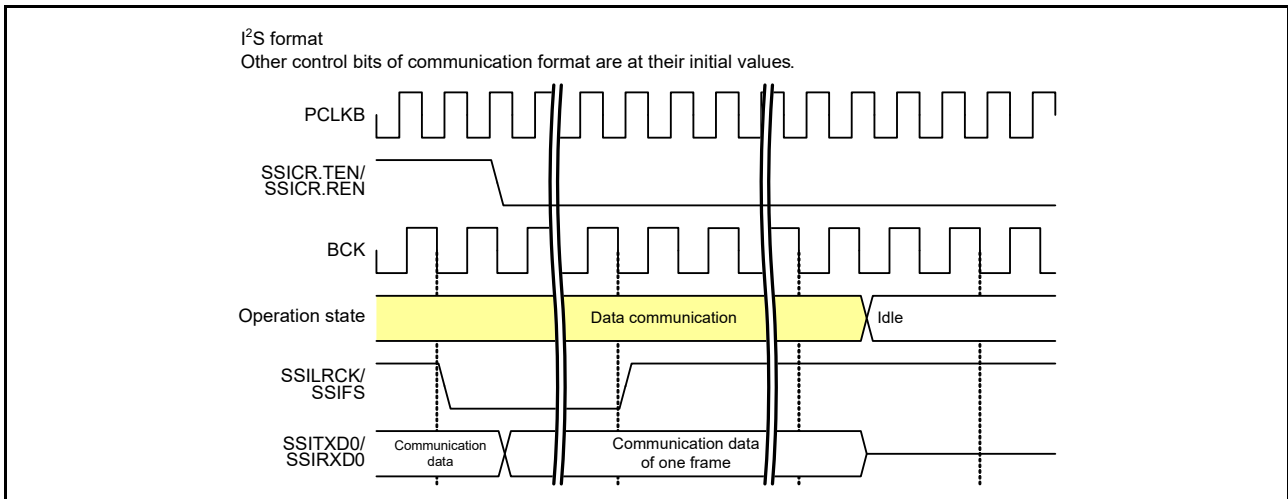


Figure 33.44 Halt from data communication without padding bits

- State transition in the setting with padding bits

When SSIE ends transfer of the last bit of a data word during communication (SSISR.IIRQ = 0), SSIE transitions from the data communication state to the padding communication state as shown in Figure 33.45. Except when SSICR.SDTA = 1 and transmission and reception is disabled (SSICR.TEN = 0 and SSICR.REN = 0), SSIE transitions from the data communication state to the idle state when it stops communication in Figure 33.47.

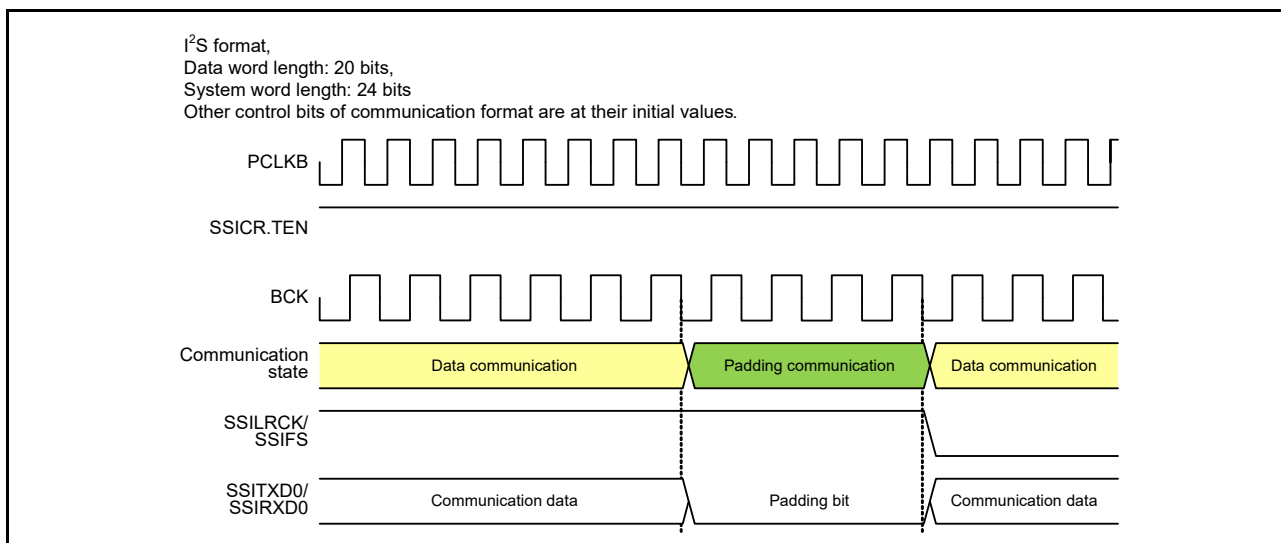


Figure 33.45 Transition from data communication to padding communication

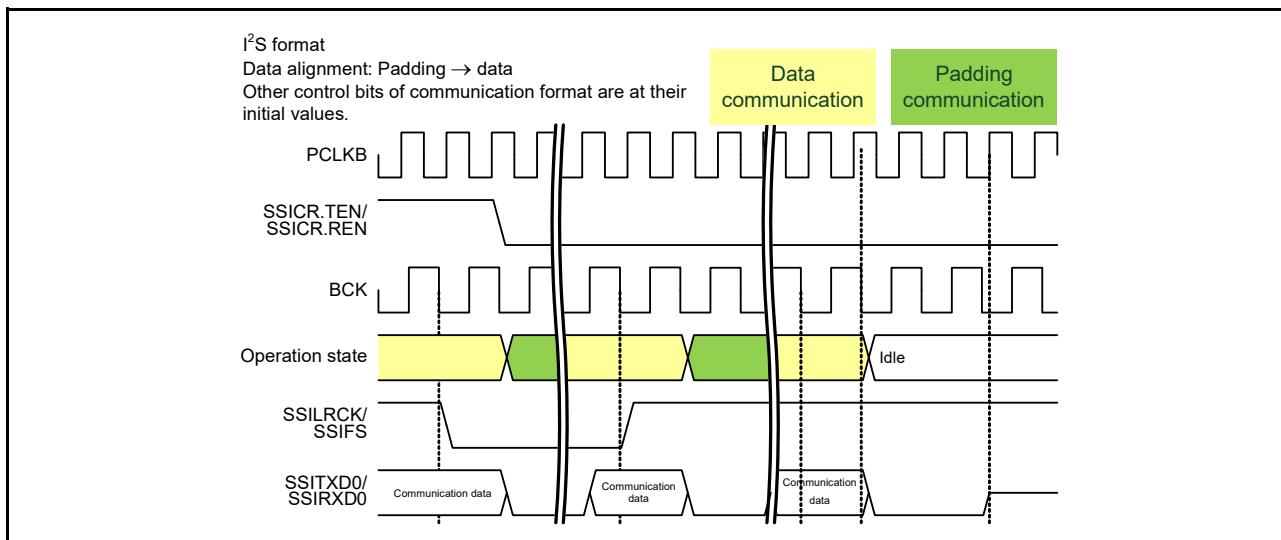


Figure 33.46 Halt from data communication with padding bits

33.7.2.2 Padding communication

In this state, SSIE is in communication. The padding bits set in the SSICR.SWL[2:0] bits and SSICR.DWL[2:0] bits are transmitted, received, or transmitted and received.

- State transition in the setting with padding bits

When SSIE ends transfer of the last padding bit during communication (SSISR.IIRQ = 0), SSIE transitions to the data communication state in Figure 33.45. If SSIE is in a status with SSICR.SDTA = 0, and with transmission and reception disabled (SSICR.TEN = 0 and SSICR.REN = 0), SSIE transitions from the padding communication state to the idle state when it stops communication in Figure 33.47.

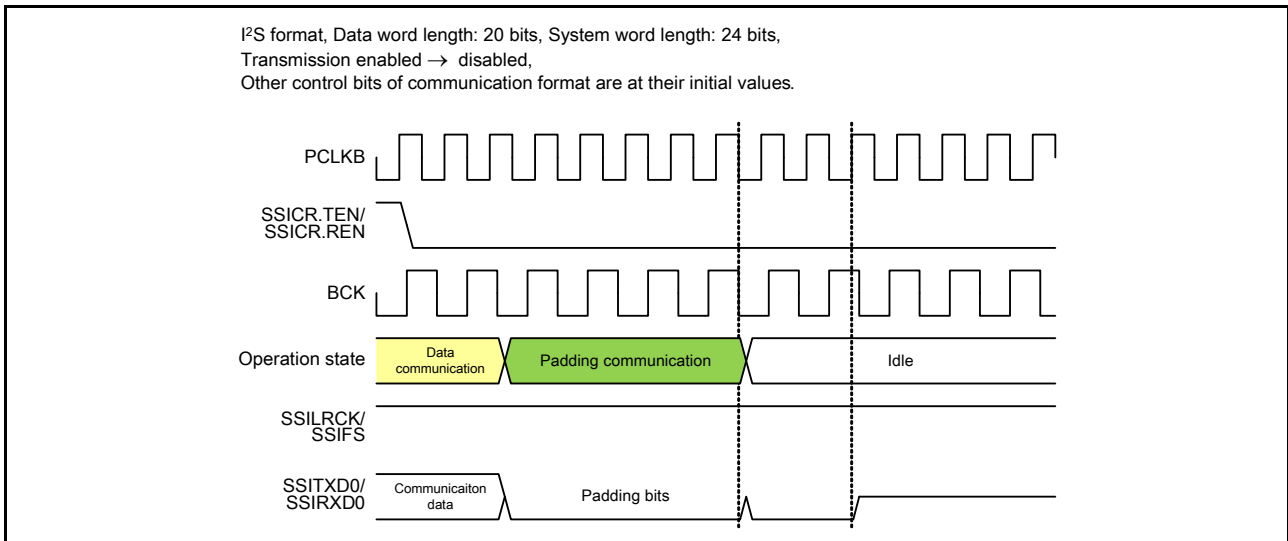


Figure 33.47 Halt from padding communication

33.8 Communication Operation

Figure 33.48 shows the communication flow of SSIE.

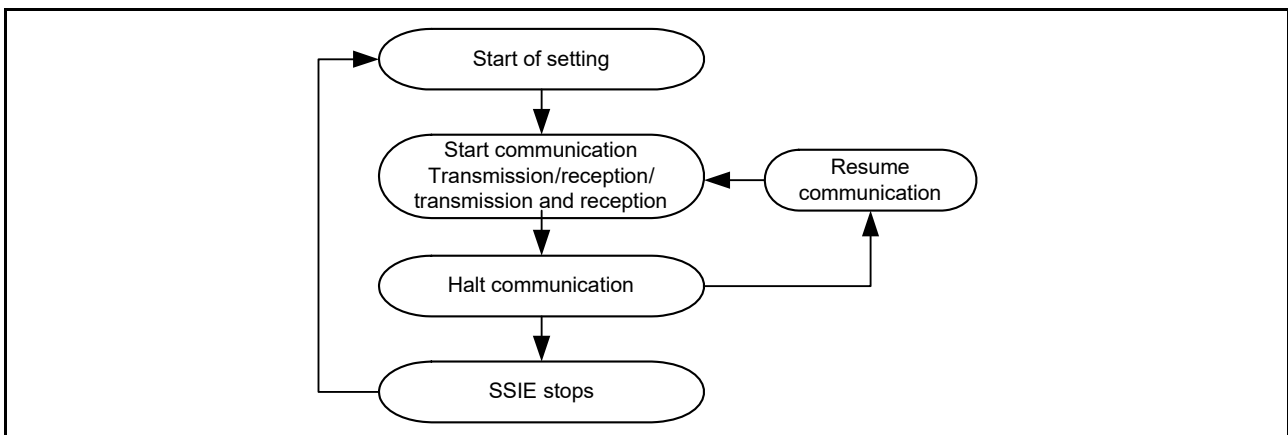


Figure 33.48 SSIE communication operation

The procedure of each operation is described in [section 33.8.1, Start Communication](#) to [section 33.8.7, Resume Communication](#).

33.8.1 Start Communication

This section describes how to start SSIE communication. To start communication, be sure to follow the procedure shown in [Figure 33.49](#). See [section 33.8.2, Transmission](#) for transmission operation and [section 33.8.3, Reception](#) for reception operation.

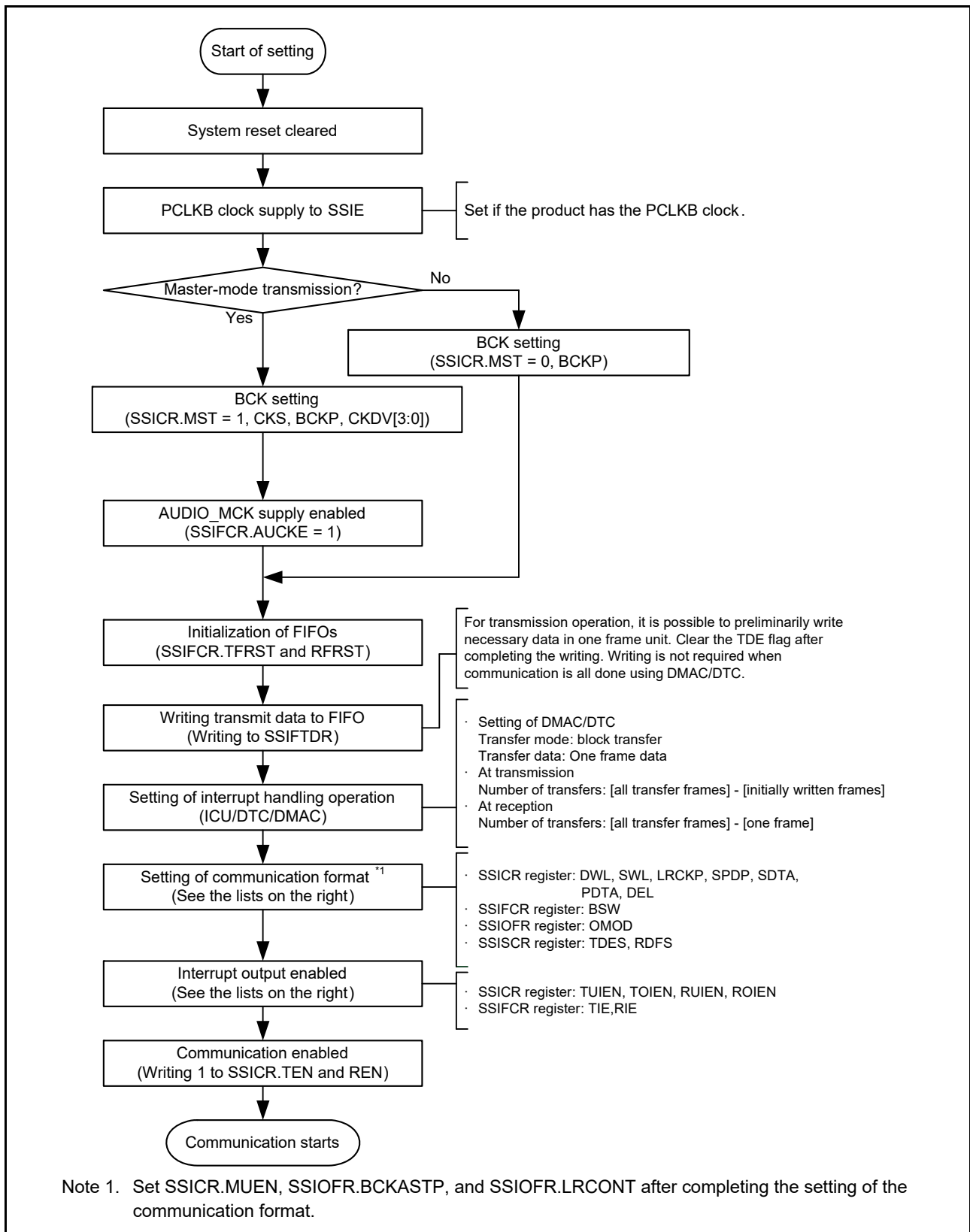


Figure 33.49 Procedure to start communication (CPU operation procedure)

SSIE can perform continuous communication using interrupts by the DTC/DMAC. For transmission, write 1 to SSIFCR.TIE, SSICR.TUIEN, and SSICR.TOIEN. For reception, write 1 to SSIFCR.RIE, SSICR.RUIEN, and SSICR.ROIEN.

33.8.2 Transmission

The procedure shown in [Figure 33.50](#) must be followed in a transmission operation.

After transmission is enabled (SSICR.TEN = 1 and SSICR.REN = 0), SSIE starts transmission when a start trigger is generated by SSILRCK/SSIFS with the serial data for at least a frame contained in the Transmit FIFO Data Register (SSIFTDR). SSIE outputs a transmit data empty interrupt to the DTC or DMAC according to the TDE setting condition (SSISCR.TDES) and the status of Transmit Data Empty Interrupt Enable (SSIFCR.TIE) bit specified in the communication start procedure. This interrupt requests writing to the Transmit FIFO Data Register (SSIFTDR). In the communication start procedure, specify writing to the Transmit FIFO Data Register (SSIFTDR) as the DTC or DMAC operation in response to the transmit data empty interrupt. With this setting, SSIE can continuously transmit data not through the CPU. The transmit data empty interrupt is generated when the free space size of Transmit FIFO Data Register reaches the value set in SSISCR.TDES. The number of times that data is written must be specified in accordance with the free space size of the Transmit FIFO Data Register indicated by the transmit data empty interrupt. If an error occurs, perform the error-handling procedure as instructed in the communication stop procedure.

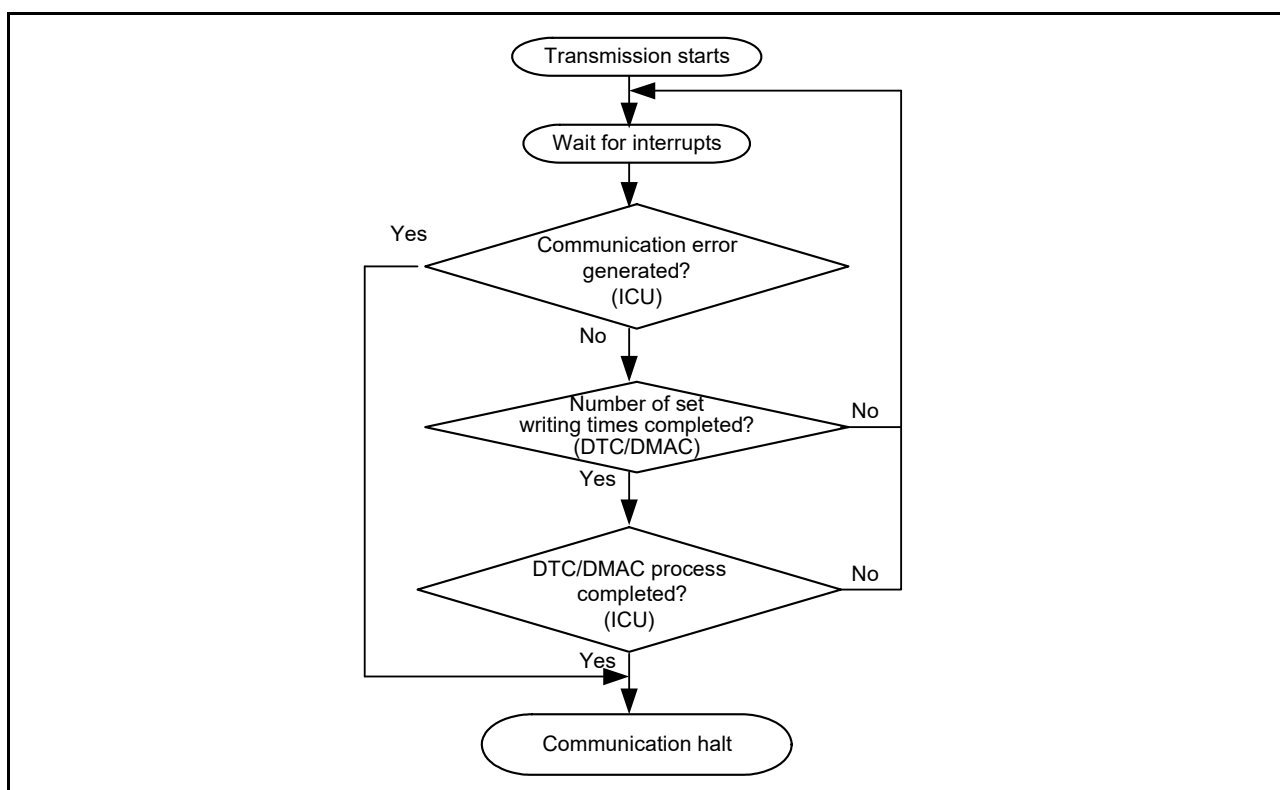


Figure 33.50 Transmission procedure

Note: The communication flow defined in SSIE uses the DTC or DMAC. If you do not use the DTC or DMAC, poll the SSIFSR.TDE for a value of 1 to write data to SSIFTDR. The number of times that data is written to SSIFTDR on detecting a 1 in SSIFSR.TDE must be in accordance with the free space size of the Transmit FIFO Data Register specified in SSISCR.TDES. After as much transmit data as the free space size is written to SSIFTDR, the SSIFSR.TDE flag must be cleared. Continuous transmission is enabled by repeating data writing. If the SSIFSR.TDE flag is not cleared, the flag is not cleared automatically.

33.8.3 Reception

The reception procedure in [Figure 33.51](#) must be followed throughout a reception operation.

After reception is enabled (SSICR.TEN = 0 and SSICR.REN = 1), SSIE starts reception when a start trigger is generated by SSILRCK/SSIFS. SSIE outputs a receive data full interrupt to the DTC or DMAC based on the RDF setting condition (SSISCR.RDFS) and the status of the Receive Data Full Interrupt Enable (SSIFCR.RIE) bit specified in the communication start procedure. This interrupt requests reading of data from the Receive FIFO Data Register (SSIFRDR). In the communication start procedure, specify reading from the Receive FIFO Data Register (SSIFRDR) as

the DTC or DMAC operation in response to the receive data full interrupt. With this setting, SSIE can continuously read data not through the CPU. The receive data full interrupt is generated when data equal to the capacity of Receive FIFO Data Register has been stored. The number of times that data is read must be specified in accordance with the data size of the Receive FIFO Data Register indicated by the receive data full interrupt. If an error occurs, perform the error-handling procedure as instructed in the communication stop procedure.

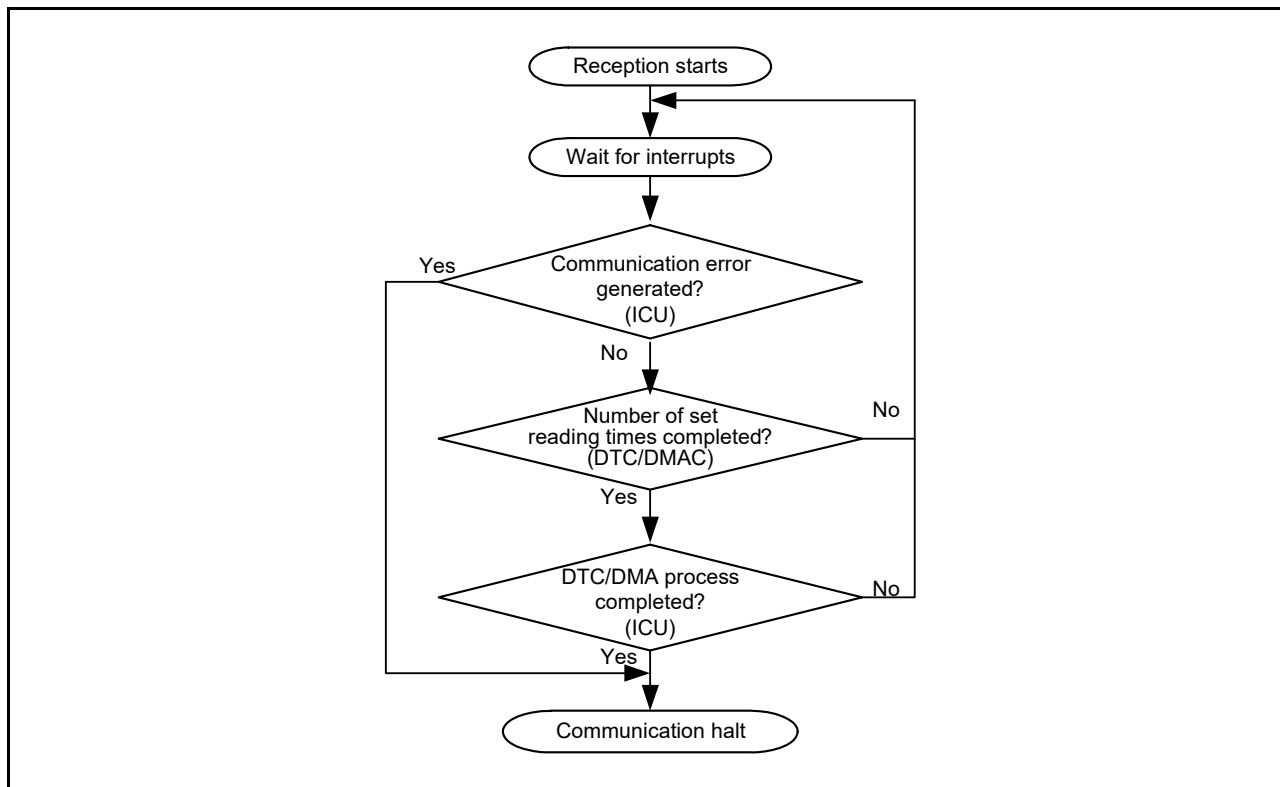


Figure 33.51 Reception procedure

Note: The communication flow defined in SSIE uses the DTC or DMAC. If you do not use the DTC or DMAC, poll the SSIFSR.RDF for a value of 1 to read data from SSIFRDR. The number of times that data is read from SSIFRDR on detecting the value of 1 in SSIFSR.RDF must be in accordance with the receive data storage capacity of the Receive FIFO Data Register specified in SSISCR.RDFS. After received data is read from SSIFRDR, the SSIFSR.RDF flag must be cleared. Continuous reception is enabled by repeating data reading. If the SSIFSR.RDF flag is not cleared, the flag is not cleared automatically.

33.8.4 Transmission and Reception

After transmission and reception are enabled (SSICR.TEN = 1 and SSICR.REN = 1), SSIE starts transmission and reception when a start trigger is generated by SSILRCK/SSIFS with the serial data for at least a frame contained in the Transmit FIFO Data Register (SSIFTDR). SSIE can continuously transmit and receive data by performing the procedures described in [section 33.8.2, Transmission](#) and [section 33.8.3, Reception](#), respectively. For information on how to stop transmission and reception, see [section 33.8.5, Halt Communication](#).

33.8.5 Halt Communication

This section describes how to halt SSIE communication. Be sure to follow the procedure shown in [Figure 33.52](#) to halt communication.

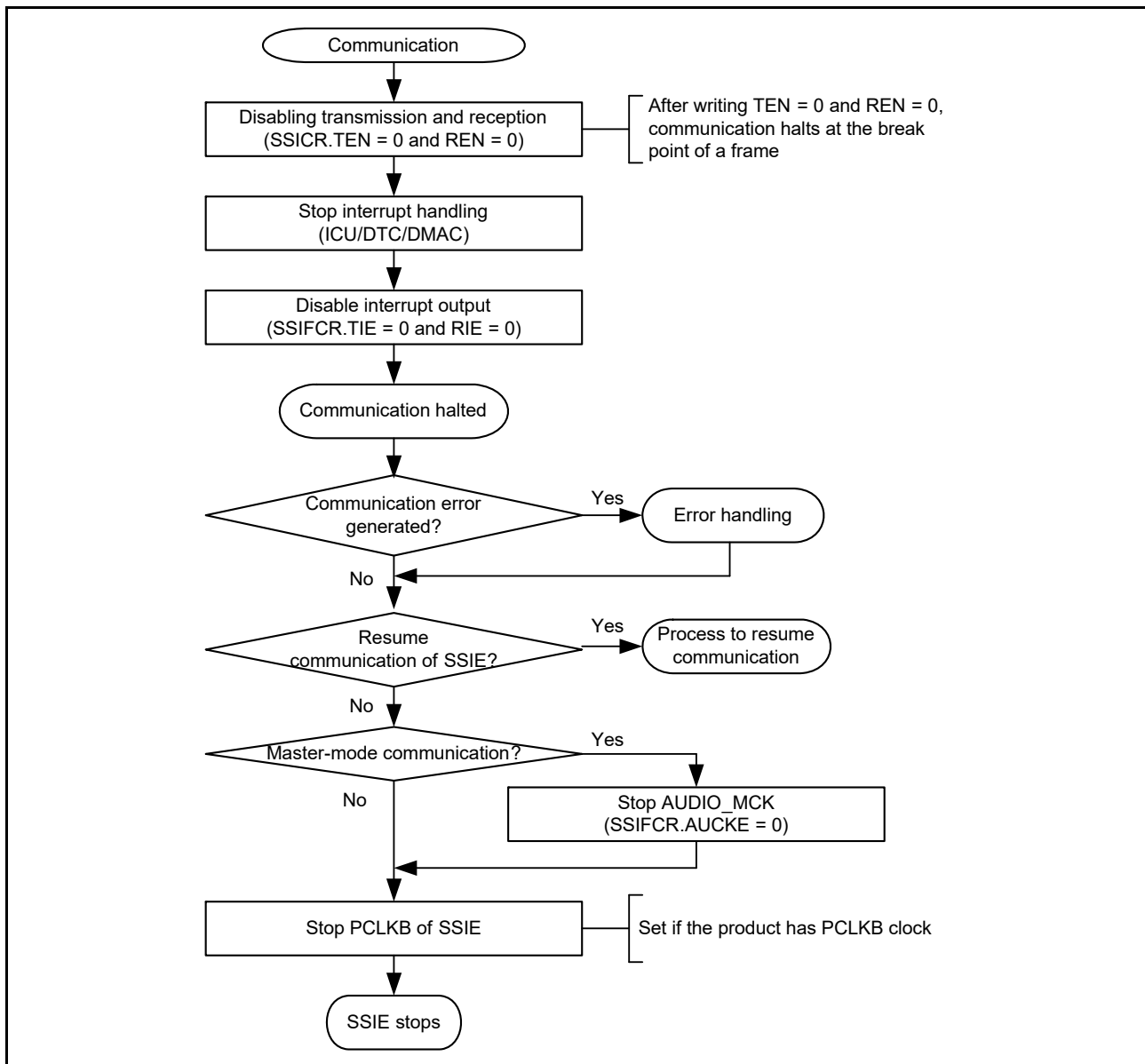


Figure 33.52 Procedure to halt communication (CPU operation)

To halt SSIE communication, supply of the following clocks is required until the SSISR.IIRQ bit indicates an idle state:

- Input clock from the SSIBCK pin when SSICR.MST = 0
- AUDIO_MCK when SSICR.MST = 1.

To resume SSIE communication in the previous setting, see [section 33.8.7, Resume Communication](#).

Note: When SSIE communication is halted according to the procedure in [Figure 33.52](#), resume communication according to the procedure in [Figure 33.54](#).

33.8.6 Error Handling

SSIE has four errors listed as follows:

- Transmit underflow error
- Transmit overflow error
- Receive underflow error

- Receive overflow error.

When an underflow error or overflow error is generated, SSIE need to be restarted. Follow the halt communication procedure in [Figure 33.52](#) and the error-handling procedure in [Figure 33.53](#).

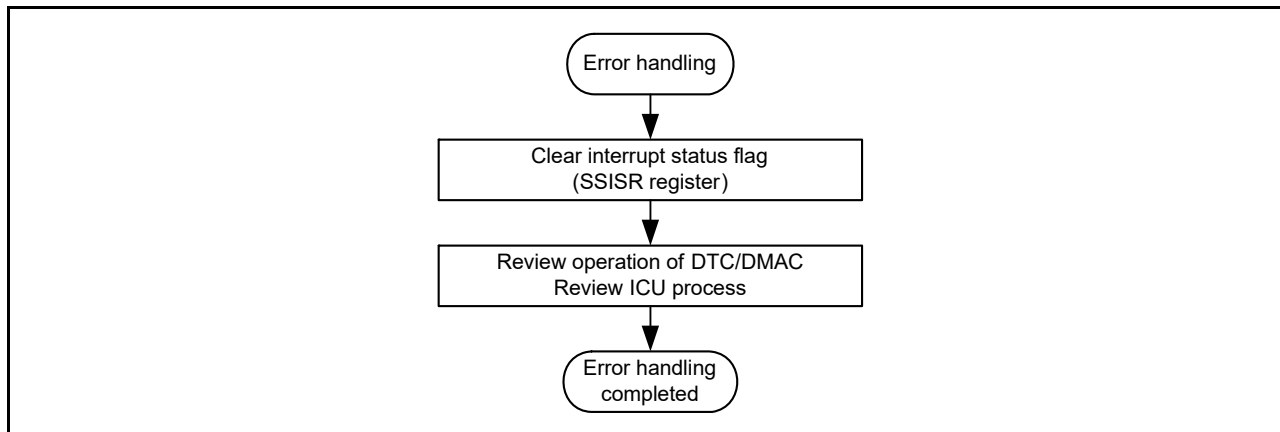


Figure 33.53 Error-handling procedure

Four error operations are described as follows. When the interrupt output enable bit of the SSICR register is enabled and error flags are set, an error interrupt is generated. See descriptions of flags in [section 33.4.2, Status Register \(SSISR\)](#) for the setting conditions of error flags.

(1) Transmit underflow error

If a transmit underflow error occurs, review the number of times that data is written to the Transmit FIFO Data Register (SSIFTDR) in response to a transmit data empty interrupt. After a transmit underflow error occurs, SSIE outputs 0s as data. To normally output the serial data written in the Transmit FIFO Data Register (SSIFTDR) to the SSITXD0 pin, follow the halt communication procedure in [Figure 33.52](#) and the error-handling procedure in [Figure 33.53](#). After this error occurs, serial data is consumed as usual. If you resume communication, write the serial data from the beginning.

(2) Transmit overflow error

If a transmit overflow error occurs, review the number of times that data is written to the Transmit FIFO Data Register (SSIFTDR) in response to transmit data empty interrupts. The serial data written to the Transmit FIFO Data Register (SSIFTDR) that caused the transmit overflow error becomes invalid. This error can occur regardless of whether a transmission operation is being done. To recover from the error, follow the halt communication procedure in [Figure 33.52](#) and the error-handling procedure in [Figure 33.53](#). When you resume communication, deal with the invalid serial data appropriately.

(3) Receive underflow error

If a receive underflow error occurs, review the number of times that data is read from the Receive FIFO Data Register (SSIFRDR) in response to receive data full interrupts. The values read from the Receive FIFO Data Register (SSIFRDR) that caused the receive underflow error are undefined. This error can occur regardless of whether a reception operation is being done. To recover from the error, follow the halt communication procedure in [Figure 33.52](#) and the error-handling procedure in [Figure 33.53](#).

(4) Receive overflow error

If a receive overflow error occurs, review the number of times that data is read from the Receive FIFO Data Register (SSIFRDR) in response to receive data full interrupts. The receive data that caused the receive overflow error cannot be stored in the Receive FIFO Data Register (SSIFRDR). To recover from the error, follow the halt communication procedure in [Figure 33.52](#) and the error-handling procedure in [Figure 33.53](#).

33.8.7 Resume Communication

To resume SSIE communication, follow the communication resume procedure in [Figure 33.54](#). The procedure assumes that you resume the communication stopped by the communication stop procedure without changing any settings. If you want to change the clock and slave/master settings, follow the communication start procedure in [Figure 33.49](#). For details

on the transmission and reception operation after starting communication, see [section 33.8.2, Transmission](#) and [section 33.8.3, Reception](#), respectively.

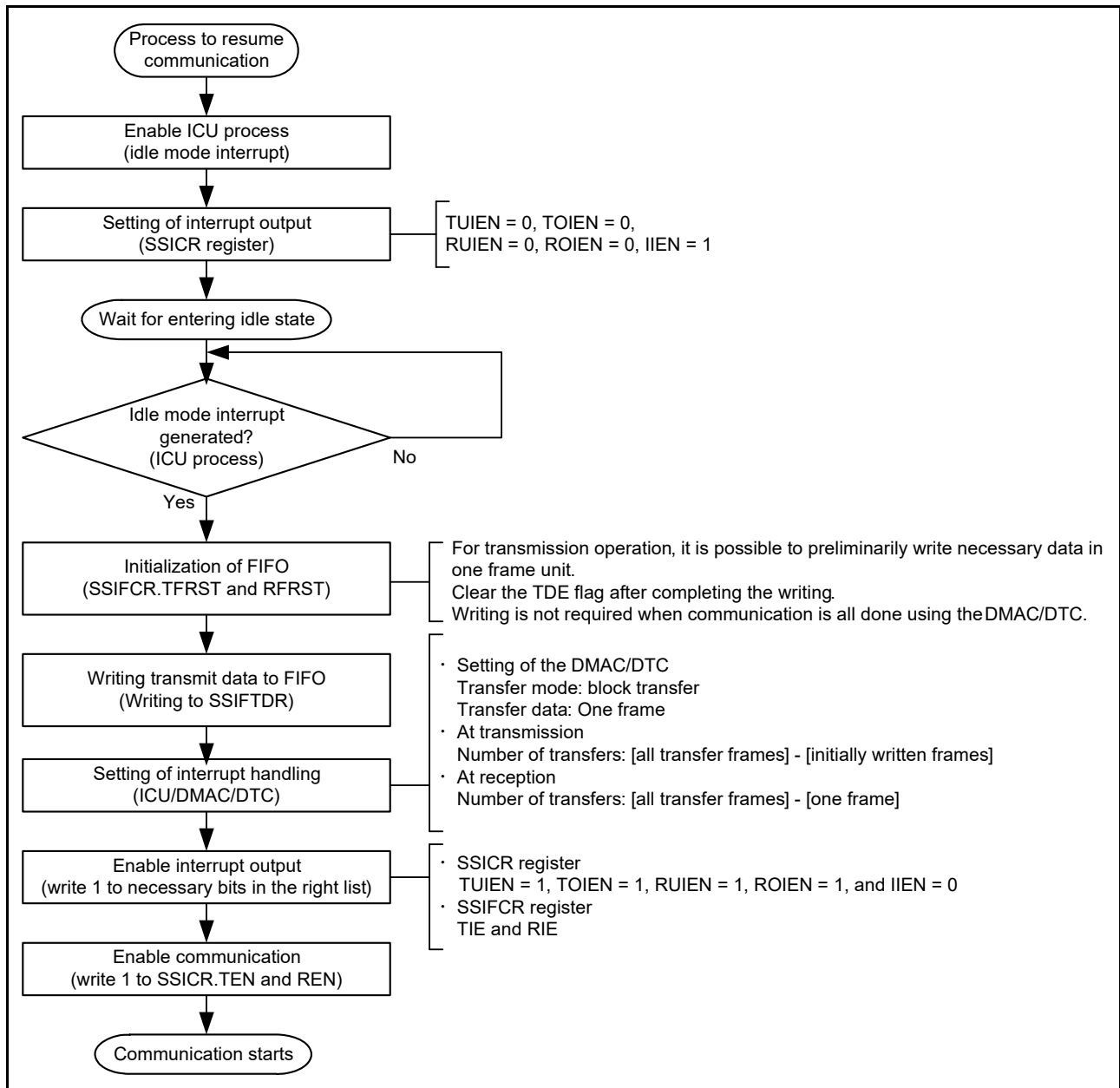


Figure 33.54 Procedure to resume communication (CPU operation)

33.9 Interrupts

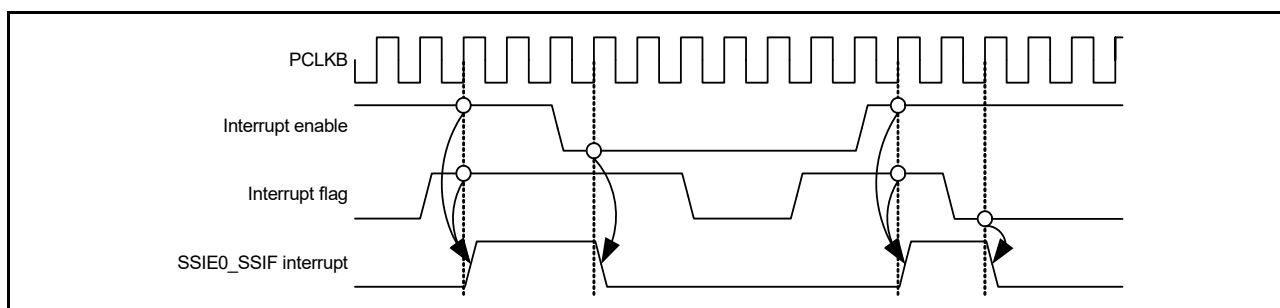
Table 33.16 lists the interrupt sources. Enable or disable the interrupt output of each source in the TUIEN, TOIEN, RUIEN, ROIEN, and I IEN bits in the SSICR register, and the TIE and RIE bits in the SSIFCR register.

Table 33.16 SSIE interrupt sources

| Channel | Interrupt source | Description | Interrupt flag | DMAC/DTC activation |
|---------|------------------|---------------------------------------------------------------------------------------------------------------------------------------------------------------------------------------------------------------------------------|------------------------------------------------------------------------|---------------------|
| SSIE0 | SSIE0_SSIF | <ul style="list-style-type: none"> • Transmit underflow interrupt • Transmit overflow interrupt • Receive underflow interrupt • Receive overflow interrupt • Idle interrupt. | SSISR.TUIRQ SSISR.TOIRQ SSISR.RUIRQ SSISR.ROIRQ SSISR.IIRQ | Not possible |
| | SSIE0_SSIRXI | Receive data full interrupt | SSIFSR.RDF | Possible |
| | SSIE0_SSITXI | Transmit data empty interrupt | SSIFSR.TDE | Possible |

33.9.1 SSIE0_SSIF Interrupt

This interrupt source combines five interrupts. Enable output of required interrupts before using SSIE. The five interrupts are operated by using the flags assigned to individual interrupts and interrupt output enable bits. To clear an interrupt, set the interrupt enable to 0 or clear the interrupt flag to 0.

**Figure 33.55 Timing diagram of the common interrupt source, SSIE0_SSIF**

- Transmit underflow interrupt

As the transmit underflow interrupt, SSISR.TUIRQ is output while SSICR.TUIEN = 1. When you use SSIE for transmission, enable the output of this interrupt (SSICR.TUIRQ = 1). If this interrupt occurs, follow instructions in the halt communication procedure in [Figure 33.52](#) and the error-handling procedure in [Figure 33.53](#).

- Transmit overflow interrupt

As the transmit overflow interrupt, SSISR.TOIRQ is output while SSICR.TOIRQ = 1. When you use SSIE for transmission, enable the output of this interrupt (SSICR.TOIRQ = 1). If this interrupt occurs, follow instructions in the halt communication procedure in [Figure 33.52](#) and the error-handling procedure in [Figure 33.53](#).

- Receive underflow interrupt

As the receive underflow interrupt, SSISR.RUIRQ is output while SSICR.RUIRQ = 1. When you use SSIE for reception, enable the output of this interrupt (SSICR.RUIRQ = 1). If this interrupt occurs, follow instructions in the halt communication procedure in [Figure 33.52](#) and the error-handling procedure in [Figure 33.53](#).

- Receive overflow interrupt

As the receive overflow interrupt, SSISR.ROIRQ is output while SSICR.ROIRQ = 1. When you use SSIE for reception, enable the output of this interrupt (SSICR.ROIRQ = 1). If this interrupt occurs, follow instructions in the halt communication procedure in [Figure 33.52](#) and the error-handling procedure in [Figure 33.53](#).

- Idle mode interrupt

As the idle mode interrupt, SSISR.IIRQ is output while SSICR.IIEN = 1. This interrupt is used to make sure that communication has stopped fully.

33.9.2 SSIE0_SSITXI Interrupt

The transmit data empty interrupt is a pulse interrupt that is output when the following condition is met:

- SSIFCR.TIE = 1 and SSIFSR.TDE = 1
 - SSIE operation: When the value of SSIFSR.TDE changes from 0 to 1, while the value of SSIFCR.TIE is 1
 - CPU instruction: When the value of SSIFCR.TIE changes from 0 to 1, while the value of SSIFSR.TDE is 1.

This interrupt is subject to the interrupt suppression function. If an interrupt condition for this interrupt occurs when the DTC/DMAC is busy, that is, when the DTC/DMAC cannot accept interrupts, the interrupt suppression function holds the output of this interrupt. The held interrupt is output after the DTC or DMAC is enabled to accept interrupts. For details, see [Figure 33.56](#).

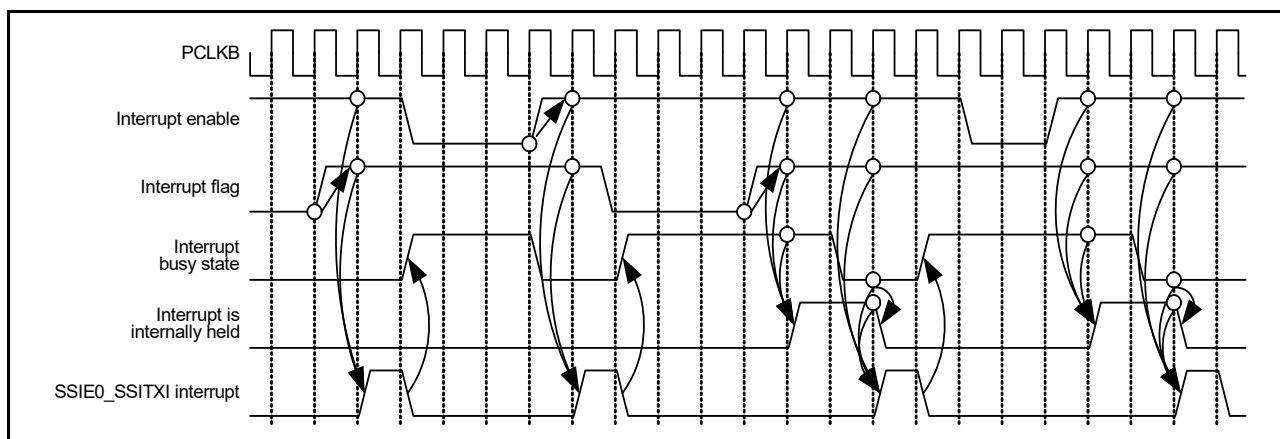


Figure 33.56 SSIE0_SSITXI interrupt timing diagram

33.9.3 SSIE0_SSIRXI Interrupt

The receive data full interrupt is a pulse interrupt that is output when the following condition is met:

- SSIFCR.RIE = 1 and SSIFSR.RDF = 1
 - SSIE operation: When the value of SSIFSR.RDF changes from 0 to 1, while the value of SSIFCR.RIE is 1
 - CPU instruction: When the value of SSIFCR.RIE changes from 0 to 1, while the value of SSIFSR.RDE is 1

This interrupt is subject to the interrupt suppression function. If an interrupt condition for this interrupt occurs when the DTC/DMAC is busy, that is, when the DTC/DMAC cannot accept interrupts, the interrupt suppression function holds the output of this interrupt. The held interrupt is output after the DTC/DMAC is enabled to accept interrupts. The behavior of this interrupt is the same as the behavior shown in [Figure 33.56](#).

33.10 Software Resets

SSIE has three software reset bits:

- SSIE Software Reset (SSIFCR.SSIRST)
- Transmit FIFO Data Register Reset (SSIFCR.TFRST)
- Receive FIFO Data Register Reset (SSIFCR.RFRST).

This section describes the procedures for the three types of software resets.

33.10.1 Software Reset Procedure

(1) SSIE software reset

For the SSIE Software Reset Bit (SSIFCR.SSIRST), follow the procedure shown in [Figure 33.57](#). After a reset occurs, the same setting is applied when it is resumed. To change the settings of clocks and slave/master mode, follow the procedure to start communication in [Figure 33.49](#). See [section 33.8.2, Transmission](#) and [section 33.8.3, Reception](#) for transmission and reception respectively, after communication is resumed.

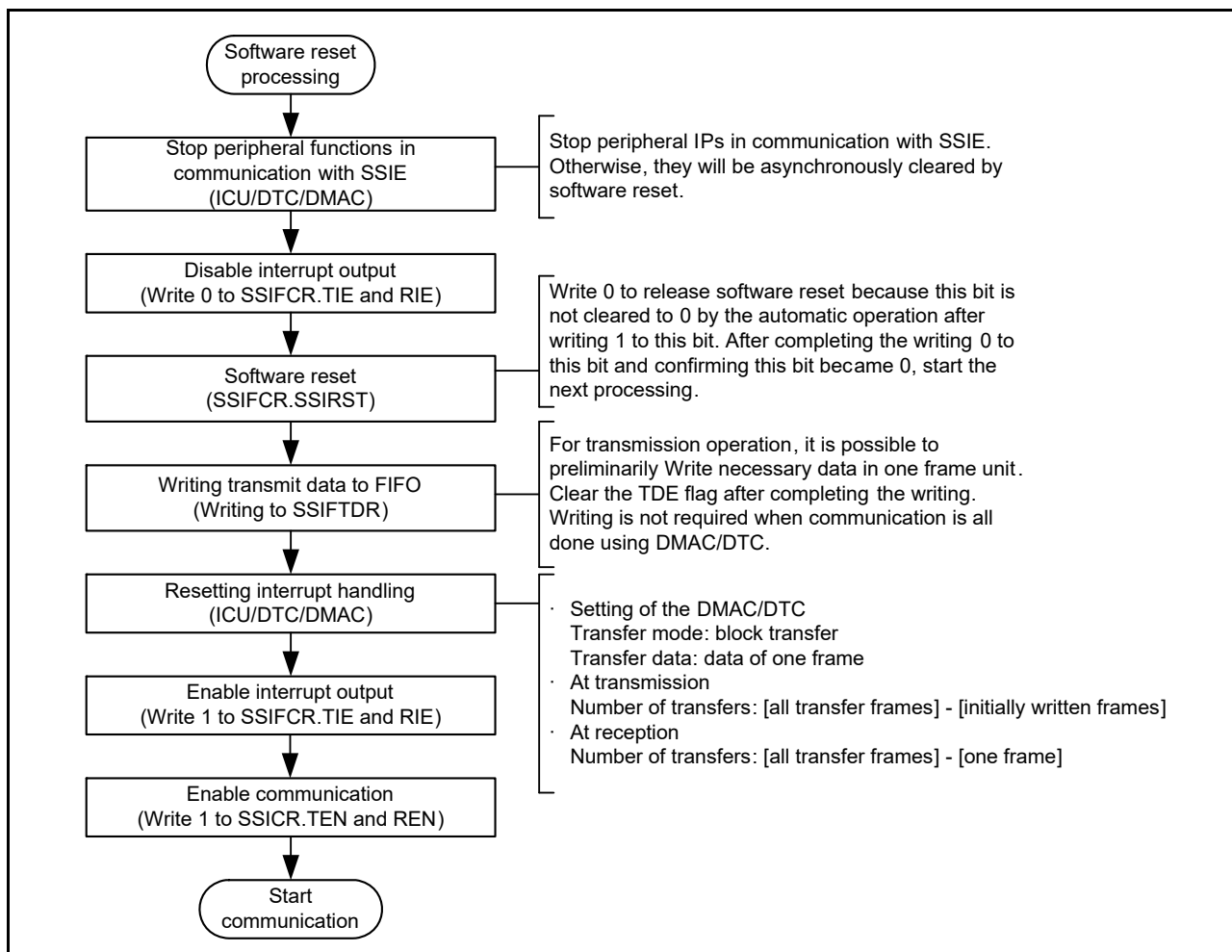


Figure 33.57 Software reset procedure (CPU operation)

(2) Transmit FIFO Data Register reset

To perform a Transmit FIFO Data Register reset, follow the procedures to start communication in [Figure 33.49](#) and resume communication in [Figure 33.54](#).

(3) Receive FIFO Data Register reset

To perform a Receive FIFO Data Register reset, follow the procedures to start communication in [Figure 33.49](#) and resume communication in [Figure 33.54](#).

33.11 Notes

33.11.1 Notes for Slave mode Communication

33.11.1.1 ADCKE control

In slave mode communication (SSICR.MST = 0), SSIE needs a supply of SSIBCK. To stop BCK on the master side, make sure that SSIE is in the idle state (SSISR.IIRQ = 1). If BCK is stopped before SSIE becomes idle, use the procedure to start communication shown in [Figure 33.49](#) or wait for an idle state by using the procedure to resume communication in [Figure 33.54](#).

33.11.1.2 SSILRCK/SSIFS pin

The SSILRCK/SSIFS pin indicates the synchronization of communication. When SSIE is in slave mode (SSICR.MST = 0), the SSIE communication format must match that of the other-party device to communicate. SSIE uses the signal input by the SSILRCK/SSIFS pin only as a trigger to start communication.

33.11.2 Notes for Master Mode Communication

33.11.2.1 ADCKE control

In master mode communication (SSICR.MST = 1), SSIE operates with the audio clock (AUDIO_MCK). To stop SSIE completely, make sure that SSIE is in the idle state (SSISR.IIRQ = 1) and then write 0 to SSIFCR.ADCKE.

33.11.2.2 LRCONT control

When SSIE is in an idle state in master mode communication (SSICR.MST = 1), the output to the SSILRCK/SSIFS pin stops when the value of the SSIOFR.LRCONT bit is changed from 1 to 0. Make sure that the other-party device is not affected. For details, see [Figure 33.40](#).

33.11.2.3 BCKASTP control

When SSIE is in the idle state in master mode communication (SSICR.MST = 1), the output to the SSIBCK pin stops when the value of the SSIOFR.BCKASTP bit is changed from 0 to 1. Make sure that the other-party device is not affected. For details, see [Figure 33.41](#).

The BCKASTP bit cannot be used when the other-party device (which is a slave) requires the clock output from the SSIBCK pin before and during communication.

33.11.3 Notes for Communication Flow

33.11.3.1 When an error interrupt is generated

SSIE has four errors:

- Transmit underflow error
- Transmit overflow error
- Receive underflow error
- Receive overflow error.

When an underflow error or overflow error is generated, SSIE needs to be restarted. Follow the halt communication procedure as shown in [Figure 33.52](#) and the error-handling procedure in [Figure 33.53](#).

(1) Transmit underflow error

If a transmit underflow error occurs, review the number of times that data is written to the Transmit FIFO Data Register (SSIFTDR) in response to a transmit data empty interrupt. After a transmit underflow error occurs, SSIE outputs 0s as data. To normally output the serial data written to the Transmit FIFO Data Register (SSIFTDR) to the SSITXD0 pin, follow the halt communication procedure in [Figure 33.52](#) and the error-handling procedure in [Figure 33.53](#). After this error occurs, serial data is consumed as usual. If you resume communication, write the serial data from the beginning.

(2) Transmit overflow error

If a transmit overflow error occurs, review the number of times that data is written to the Transmit FIFO Data Register (SSIFTDR) in response to transmit data empty interrupts. The serial data written to the Transmit FIFO Data Register (SSIFTDR) that caused the transmit overflow error becomes invalid. This error can occur regardless of whether a transmission operation is performed. To recover from the error, follow the halt communication procedure in [Figure 33.52](#) and the error-handling procedure in [Figure 33.53](#). When you resume communication, deal with the invalid serial data appropriately.

(3) Receive underflow error

If a receive underflow error occurs, review the number of times that data is read from the Receive FIFO Data Register (SSIFRDR) in response to receive data full interrupts. The values read from the Receive FIFO Data Register (SSIFRDR) that caused the receive underflow error are undefined. This error can occur regardless of whether a reception operation is performed. To recover from the error, follow the halt communication procedure in [Figure 33.52](#) and the error-handling procedure in [Figure 33.53](#).

(4) Receive overflow error

If a receive overflow error occurs, review the number of times that data is read from the Receive FIFO Data Register (SSIFRDR) in response to receive data full interrupts. The receive data that caused the receive overflow error cannot be stored in the Receive FIFO Data Register (SSIFRDR). To recover from the error, follow the halt communication procedure in [Figure 33.52](#) and the error-handling procedure in [Figure 33.53](#).

33.11.3.2 Transmit data empty interrupt

The communication flow defined in SSIE uses the DTC or DMAC. If you do not use the DTC or DMAC, poll for 1 in SSIFSR.TDE to write data to SSIFTDR. The number of times that data is written to SSIFTDR after detecting the value of 1 in SSIFSR.TDE must be in accordance with the free space size of the Transmit FIFO Data Register specified in SSISCR.TDES. After as much transmit data as the free space size is written to SSIFTDR, the SSIFSR.TDE flag must be cleared. Continuous transmission is enabled by repeating data writing. If the SSIFSR.TDE flag is not cleared, the flag is not cleared automatically.

33.11.3.3 Receive data full interrupt

The communication flow defined in SSIE uses the DTC or DMAC. If you do not use the DTC or DMAC, poll for the value of 1 in SSIFSR.RDF to read data from SSIFRDR. The number of times that data is read from SSIFRDR after detecting the value 1 of SSIFSR.RDF must be in accordance with the receive data storage capacity of the Receive FIFO Data Register specified in SSISCR.RDFS. After received data is read from SSIFRDR, the SSIFSR.RDF flag must be cleared. Continuous reception is enabled by repeating data reading. If the SSIFSR.RDF flag is not cleared, the flag is not cleared automatically.

33.11.3.4 Switching transfer modes

Transfer modes can be switched as follows:

1. For state transition from transmission, reception, and transmission and reception, disable transmission and reception (SSICR.TEN = 0, SSICR.REN = 0).
2. Confirm it is in the idle state (SSISR.IIRQ = 1).
3. In the idle state, set the SSICR.TEN bit and the SSICR.REN bit again and resume transfer.

33.11.3.5 Resume communication after halting SSIE

When SSIE communication is halted according to the procedure shown in [Figure 33.52](#), resume communication according to the procedure shown in [Figure 33.54](#).

33.11.4 Write Access Restriction

33.11.4.1 SSICR register

If the TEN bit or REN bit is rewritten, make sure that the SSISR.IIRQ bit has the desired status. If the value of the TEN or REN bit is changed by rewriting, subsequent operation is unpredictable. For example, when transmission or reception is enabled, check that SSISR.IIRQ is 0, and when transmission or reception is disabled, check that SSISR.IIRQ is 1.

(1) TEN bit and REN bit

The TEN and REN bits enable or disable transmission and reception. When 1 is written to one of these bits, the corresponding communication operation starts in synchronization with a start trigger by the SSILRCK/SSIFS signal. For details, see [section 33.8.2, Transmission](#), [section 33.8.3, Reception](#), and [section 33.8.4, Transmission and Reception](#). When 0 is written to this bit, the current communication operation stops at the next frame boundary. To use SSIE for both transmission and reception, always write 1 to these bits together. When stopping the communication using SSIE, always disable both transmission and reception (write 0 to the TEN and REN bits).

33.11.4.2 SSISR register

(1) Clearing TUIRQ and TOIRQ

After communication is enabled (by changing the value of SSICR.TEN bit from 0 to 1), the transmission error flags TOIRQ and TUIRQ in the SSISR register are cleared. If the SSISR register is read continuously, the cleared status of the

transmission error flags might be unreadable.

(2) Clearing RUIRQ and ROIRQ

After communication is enabled (by changing the value of SSICR.REN bit from 0 to 1), the reception error flags RUIRQ and ROIRQ in the SSISR register are cleared. If the SSISR register is read continuously, the cleared status of the reception error flags might be unreadable.

33.11.4.3 Communication state

Writing to the bits indicated with the shaded area in [Table 33.17](#) is prohibited. If these bits are written, the subsequent operation performed after the writing is not guaranteed.

Table 33.17 Bits protected from writing during communication

| Symbol | Address (BASE+) | | +0 | | | | | | | | +1 | | | | | | | |
|---------|-----------------|----|-------------|------|--------|--------|----------|-----------|-----------|----------|-----------|----|----------|-------|-----|-----------|-----------|--------|
| | | | 31 | 30 | 29 | 28 | 27 | 26 | 25 | 24 | 23 | 22 | 21 | 20 | 19 | 18 | 17 | 16 |
| | | | 15 | 14 | 13 | 12 | 11 | 10 | 9 | 8 | 7 | 6 | 5 | 4 | 3 | 2 | 1 | 0 |
| SSICR | 00h | +0 | — | CKS | TUI EN | TOI EN | RUI EN | ROI EN | IIEN | — | — | — | DWL[2:0] | | | SWL[2:0] | | |
| | | +2 | — | MS T | BCK P | LRC KP | SPD P | SDT A | PDT A | DEL | CKDV[3:0] | | | MU EN | — | TEN | REN | |
| SSISR | 04h | +0 | — | — | TUI RQ | TOI RQ | RUI RQ | ROI RQ | IIRQ | — | — | — | — | — | — | — | — | |
| | | +2 | — | — | — | — | — | — | — | — | — | — | — | — | — | — | — | |
| SSIFCR | 10h | +0 | AUC KE | — | — | — | — | — | — | — | — | — | — | — | — | — | SSI RST | |
| | | +2 | — | — | — | — | BS W | — | — | — | — | — | — | — | TIE | RIE | TFR ST | RFR ST |
| SSIFSR | 14h | +0 | — | — | — | — | TDC[3:0] | | | — | — | — | — | — | — | — | TDE | |
| | | +2 | — | — | — | — | RDC[3:0] | | | — | — | — | — | — | — | — | RDF | |
| SSIFTDR | 18h | +0 | FTDR[31:16] | | | | | | | | | | | | | | | |
| | | +2 | FTDR[15:0] | | | | | | | | | | | | | | | |
| SSIFRDR | 1ch | +0 | FRDR[31:16] | | | | | | | | | | | | | | | |
| | | +2 | FRDR[15:0] | | | | | | | | | | | | | | | |
| SSIOFR | 20h | +0 | — | — | — | — | — | — | — | — | — | — | — | — | — | — | — | |
| | | +2 | — | — | — | — | — | — | BCK AST P | LRC ON T | — | — | — | — | — | — | OMOD[1:0] | |
| SSISCR | 24h | +0 | — | — | — | — | — | — | — | — | — | — | — | — | — | — | — | |
| | | +2 | — | — | — | — | — | TDES[2:0] | | | — | — | — | — | — | RDFS[2:0] | | |

34. Boundary Scan

34.1 Overview

The boundary scan function provides a serial I/O interface based on the JTAG (Joint Test Action Group), IEEE Std.1149.1, and IEEE Standard Test Access Port and Boundary Scan Architecture. [Table 34.1](#) lists the boundary scan specifications, [Figure 34.1](#) shows the block diagram, and [Table 34.2](#) lists the I/O pins.

Table 34.1 Boundary scan specifications

| Parameter | Description |
|---------------------|-------------------------------------------------------------------------------------------------------------------------------------------------------------------------------------------|
| Execution condition | Boundary scan must be executed when the RES pin is driven low |
| Test modes | <ul style="list-style-type: none"> • BYPASS mode • EXTEST mode • SAMPLE/PRELOAD mode • CLAMP mode • HIGHZ mode • IDCODE mode. |

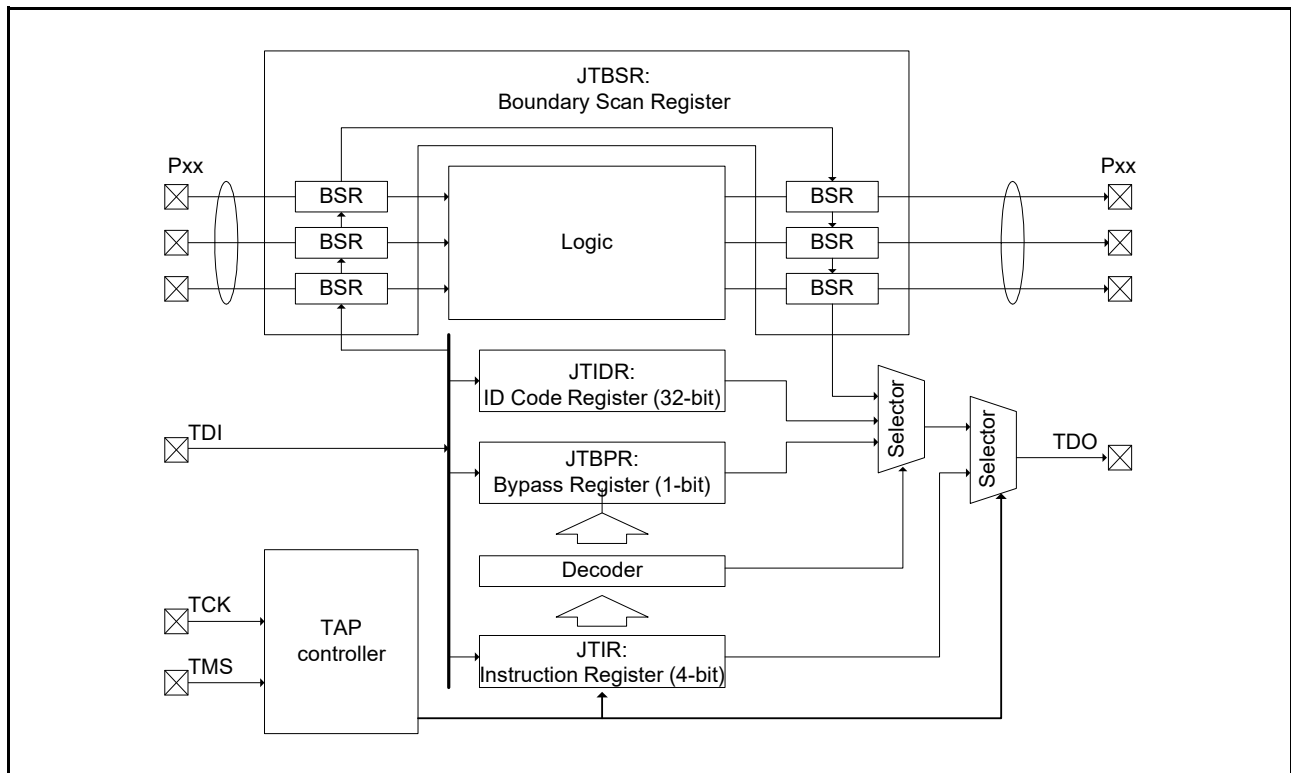


Figure 34.1 Boundary scan function block diagram

Table 34.2 I/O pins

| Pin Name | I/O | Description |
|----------|--------|------------------------------------------------------------------------------------------------------------------------------------|
| TCK | Input | Test clock input pin Clock signal for boundary scan. The input clock duty cycle is 50% when the boundary scan function is used. |
| TMS | Input | Test mode select pin |
| TDI | Input | Test data input pin |
| TDO | Output | Test data output pin |

Note: The MCU does not support the TRST pin for the JTAG interface.

34.2 Register Descriptions

Table 34.3 lists the boundary scan registers.

Table 34.3 Boundary scan registers

| Register name | Symbol | Value after reset |
|------------------------|--------|-------------------|
| Instruction Register | JTIR | Eh |
| ID code Register | JTIDR | 0837 C447h |
| Bypass Register | JTBPR | Undefined |
| Boundary Scan Register | JTBSR | Undefined |

Usage notes for the boundary scan registers are as follows:

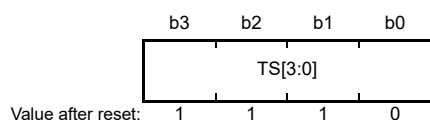
- Instructions can be input to the Instruction Register (JTIR) through the TDI pin by serial transfer
- The Bypass Register (JTBPR), which is a 1-bit register, is connected between the TDI and TDO pins in BYPASS mode
- The Boundary Scan Register (JTBSR), which is configured according to the BSDL description, is connected between the TDI and TDO pins when test data is being shifted in.

Table 34.4 shows the availability of serial transfer for the registers.

Table 34.4 Serial transfer for registers

| Register name | Serial input | Serial output |
|--------------------------------|--------------|---------------|
| Instruction register (JTIR) | Available | Available |
| ID code register (JTIDR) | Available | Available |
| Bypass register (JTBPR) | Available | Available |
| Boundary scan register (JTBSR) | Available | Available |

34.2.1 Instruction Register (JTIR)



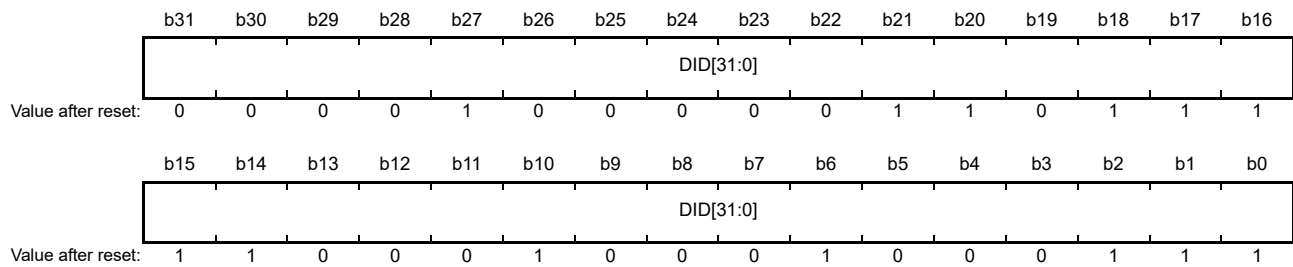
| Bit | Symbol | Bit name | Description | R/W |
|----------|---------|--------------|-----------------------------------------------------------------|-----|
| b3 to b0 | TS[3:0] | Test Bit Set | The command configuration for these bits is shown in Table 34.5 | — |

Table 34.5 Command configuration

| TS3 | TS2 | TS1 | TS0 | Instruction |
|----------------|-----|-----|-----|-----------------------|
| 0 | 0 | 0 | 0 | EXTEST |
| 0 | 0 | 0 | 1 | SAMPLE/PRELOAD |
| 0 | 0 | 1 | 1 | IDCODE (Renesas code) |
| 0 | 1 | 0 | 1 | CLAMP |
| 0 | 1 | 1 | 0 | HIGHZ |
| 1 | 1 | 1 | 1 | BYPASS |
| Other settings | | | | Reserved |

JTAG instructions can be transferred to the JTIR register by serial input from the TDI pin. The JTIR register is initialized when a power-on reset occurs, or when the TAP controller is in the Test-Logic-Reset state.

34.2.2 ID Code Register (JTIDR)



| Bit | Symbol | Bit Name | Description | R/W |
|-----------|---------------------------|-----------|--------------------------------------------------------------------|-----|
| b31 to b0 | DID[31:0] | Device ID | These bits store the fixed value that indicates the device IDCODE. | — |

JTIDR data is output from the TDO pin when the IDCODE instruction is executed. After a reset release, the IDCODE of JTIDR changes into the Arm® debug code. See *ARM® CoreSight™ SoC-400 Technical Reference Manual* (ARM DDI 0480F).

34.2.3 Bypass Register (JTBPR)

JTBPR is a 1-bit register connected between the TDI and TDO pins when the JTIR register is set to BYPASS mode. The JTBPR register cannot be read from or written to by the CPU.

34.2.4 Boundary Scan Register (JTBSR)

JTBSR is a shift register for controlling the external input and output pins of the MCU, and is distributed across the pads. For the JTBSR register in boundary-scan testing, issue the EXTEST, SAMPLE/PRELOAD, CLAMP, and HIGHZ instructions. The BSDL files describe the association between the JTBSR bits and the pins of the MCU. The value after reset is undefined.

34.3 Operations

During a reset, the JTAG ports, TCK, TMS, TDI, and TD, are assigned as default pin functions. The TCK, TMS, and TDI pins are pulled up by the pull-up resistors. Boundary scan testing can be executed after the setup time elapses when POR is negated and RES is driven low.

34.3.1 TAP Controller

Figure 34.2 shows the state transition diagram of the TAP controller. All transitions are controlled by the TMS signal.

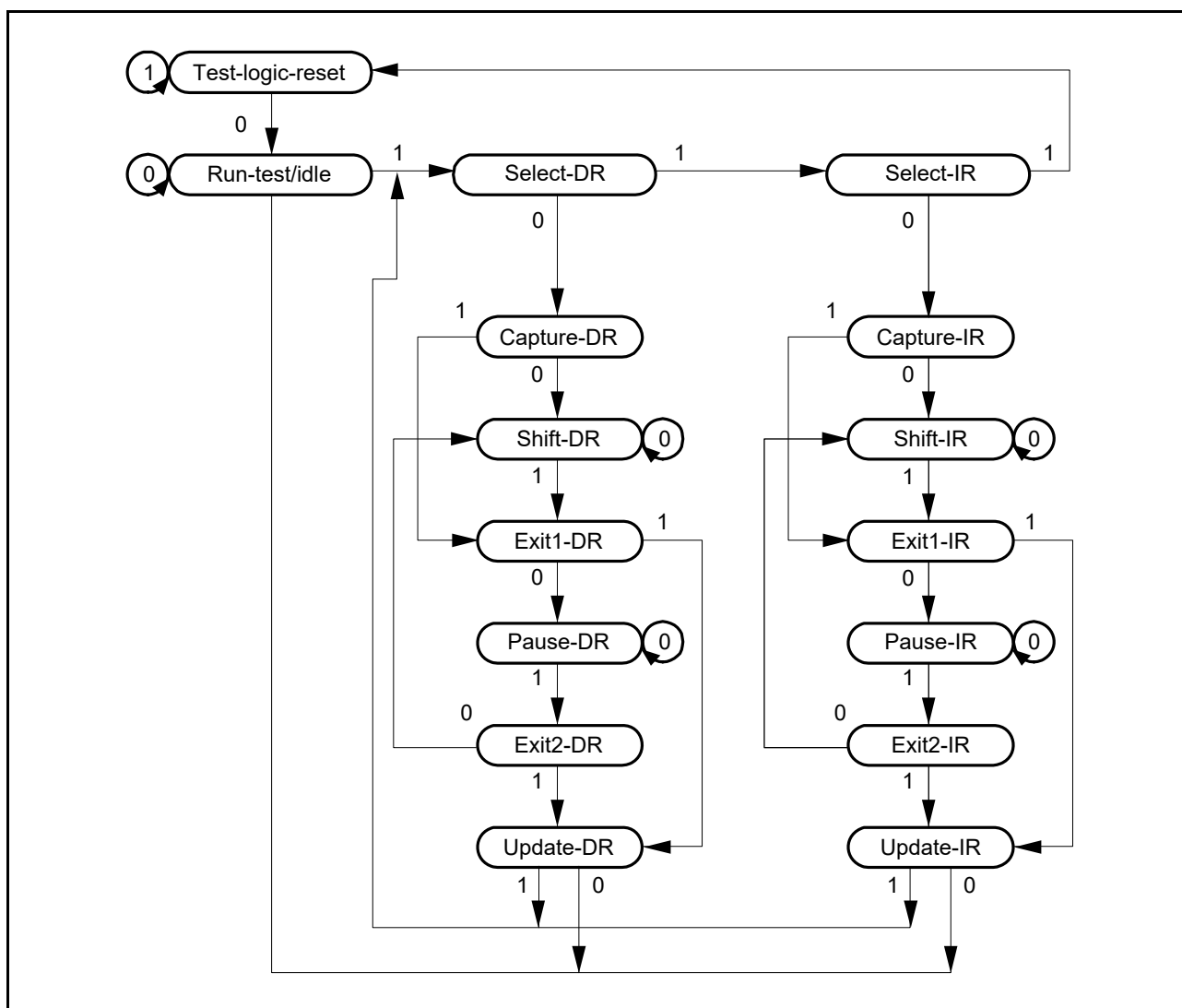


Figure 34.2 State transition diagram of TAP controller

34.3.2 Commands

(1) BYPASS

The BYPASS instruction drives the Bypass Register (JTBPB). This instruction shortens the shift path, facilitating the transfer of serial data to other LSIs on a printed-circuit board at higher speeds. While this instruction is being executed, the test circuit has no effect on the system circuits.

The Bypass Register (JTBPB) is connected between the TDI and TDO pins. Bypass operation is initiated from the shift-DR operation. The TDO is low in the first clock cycle in the shift-DR state. In the subsequent clock cycles, the TDI signal is output on the TDO pin.

(2) EXTEST

The EXTEST instruction is used to test external circuits when the MCU is installed on the printed circuit board. When this instruction is executed, output pins are used to output test data, specified in the SAMPLE/PRELOAD instruction, from the Boundary Scan Register to the printed circuit board, and input pins input the test result.

(3) SAMPLE/PRELOAD

The SAMPLE/PRELOAD instruction is used to input data from the internal circuits of the MCU to the Boundary Scan Register, output data from scan path, and reload the data to the scan path. While this instruction is executed, input signals are directly input to the MCU and output signals are also directly output to the external circuits. The MCU system circuit is not affected by this instruction.

In SAMPLE operation, the Boundary Scan Register latches a snap shot of data transferred from the input pins to the internal circuit or data transferred from the internal circuit to the output pins. The latched data is read from the scan path. The scan register latches the snapshot of data at the rising edge of the TCK in Capture-DR state. The data snapshot is transferred from the internal circuit to the output pins only during a reset.

In PRELOAD operation, the initial value is written from the scan path to the parallel output latch of the Boundary Scan Register prior to the EXTEST instruction execution. If the EXTEST is executed without executing the PRELOAD operation, undefined values are output from the beginning to the end (transfer to the output latch) of the EXTEST sequence. In EXTEST instruction, output parallel latches are always output to the output pins.

(4) IDCODE

When the IDCODE instruction is selected, the ID Code Register value is output to the TDO pin in the Shift-DR state of the TAP controller. The ID Code Register value is output LSB-first. During the instruction execution, the test circuit does not affect the system circuit.

(5) CLAMP

When the CLAMP instruction is selected, output pins output the Boundary Scan Register value that was specified by the SAMPLE/PRELOAD instruction in advance. While the CLAMP instruction is selected, the status of the Boundary Scan Register is maintained regardless of the TAP controller state.

BYPASS is connected between TDI and TDO pins, leading to the same operation as when the BYPASS instruction is selected.

(6) HIGHZ

When the HIGHZ instruction is selected, all output pins enter a high-impedance state and the status of the Boundary Scan Register is maintained regardless of the state of the TAP controller.

BYPASS is connected between TDI and TDO pins, leading to the same operation as when the BYPASS instruction is selected.

34.4 Usage Note

The boundary scan function is subject to the following restrictions:

- The boundary scan must be executed when the RES pin is driven low
- Serial data input or output is in LSB order, as shown in [Figure 34.3](#).

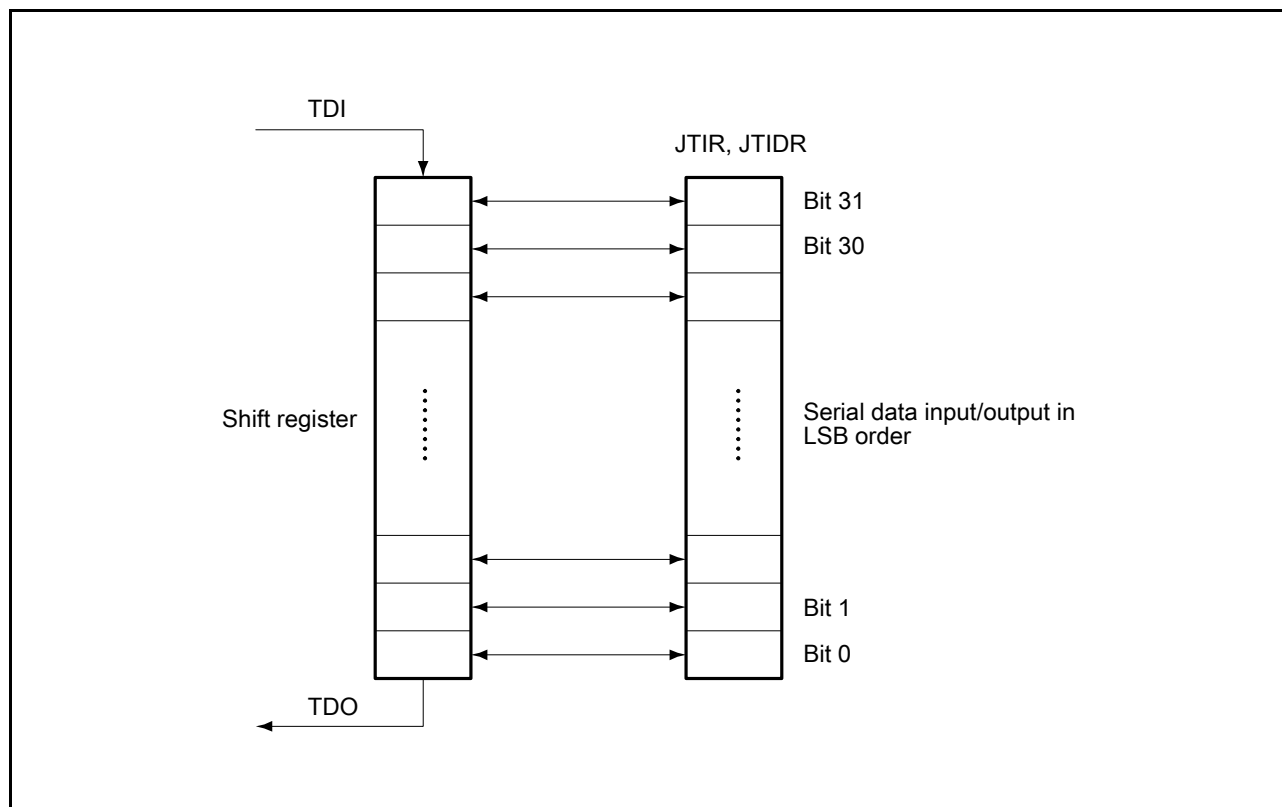


Figure 34.3 Serial data input/output

The following pins cannot be boundary-scanned:

- Power supply pins (VCC, VCL, VSS, VBATT, AVCC0, AVSS0, VCC_USB, and VSS_USB)
- Clock pins (EXTAL, XTAL, XCIN, and XCOU)
- Reset signal (RES)
- Boundary-scan pins (TCK, TMS, TDI, and TDO)
- Mode signal (MD).

35. 14-Bit A/D Converter (ADC14)

35.1 Overview

The MCU provides a 14-bit successive approximation A/D converter (ADC14) unit. Up to 28 analog input channels are selectable. Temperature sensor output and internal reference voltage can be selected for conversion. The A/D conversion accuracy is 14-bit conversion, making it possible to optimize the trade-off between speed and resolution in generating a digital value.

The ADC14 supports the following operating modes:

- Single scan mode for converting the analog inputs of arbitrarily selected channels in ascending order of channel number
- Continuous scan mode for sequentially converting the analog inputs of arbitrarily selected channels continuously in ascending order of channel number
- Group scan mode for arbitrarily dividing the analog inputs of channels into two groups (Group A and Group B) and converting the analog input of the selected channel for each group in ascending order of channel number.

In group scan mode, you can start Group A and Group B A/D conversion at different times by individually selecting their scan start conditions. In addition, when a priority control operation for Group A is set, the ADC14 accepts Group A scan start during Group B A/D conversion, suspending Group B conversion. This allows you to assign higher priority to A/D conversion start for Group A.

In double trigger mode, the analog input of an arbitrarily selected channel is converted in single scan mode or group scan mode (Group A), and the data converted by the first and second A/D conversion start triggers are stored in different registers, providing duplexing of A/D-converted data.

Self-diagnosis is performed once at the beginning of each scan, and one of the three voltage values generated in the ADC14 is A/D converted.

The temperature sensor output and internal reference voltage cannot be selected for A/D conversion simultaneously. The temperature sensor output and the internal reference voltage are converted independently. If the internal reference voltage is selected as the high-potential reference voltage, A/D conversion of the temperature sensor or the internal reference voltage is also prohibited.

The reference power supply pin (VREFH0) or the analog block power supply pin (AVCC0), or the internal reference voltage is selectable as the high-potential reference voltage. The reference power supply ground pin (VREFL0) or the analog block power supply ground pin (AVSS0) is selectable as the low-potential reference voltage.

The ADC14 provides a compare function (window A and window B). This compare function specifies the upper reference value and lower reference value for window A and window B respectively, and outputs an interrupt when the A/D-converted value of the selected channel meets the comparison conditions.

[Table 35.1](#) lists the ADC14 specifications, [Table 35.2](#) lists the functions, and [Figure 35.1](#) shows the block diagram. [Table 35.2](#) lists the I/O pins.

Table 35.1 ADC14 specifications (1 of 3)

| Parameter | Specifications |
|--------------------------|--------------------------------------------------------------------------------------------------------------------------------------------------------------------------------------------------------------------------|
| Number of units | One unit |
| Input channels | Up to 25 channels (AN000 to AN014, AN016 to AN025) |
| Extended analog function | Temperature sensor output, internal reference voltage |
| A/D conversion method | Successive approximation method |
| Resolution | 14 bits, selectable to 14-bit or 12-bit conversion |
| Conversion time | 0.79 μ s/channel, when 14-bit A/D conversion clock PCLKC (ADCLK) is operating at 64 MHz |
| A/D conversion clock | Peripheral module clock PCLKB* ¹ and A/D conversion clock PCLKC (ADCLK)* ¹ can be set with the following division ratios: PCLKB to PCLKC (ADCLK) frequency ratio = 1:1, 2:1, 4:1, 8:1, 1:2, 1:4 |

Table 35.1 ADC14 specifications (2 of 3)

| Parameter | Specifications |
|-------------------------------------|---------------------------------------------------------------------------------------------------------------------------------------------------------------------------------------------------------------------------------------------------------------------------------------------------------------------------------------------------------------------------------------------------------------------------------------------------------------------------------------------------------------------------------------------------------------------------------------------------------------------------------------------------------------------------------------------------------------------------------------------------------------------------------------------------------------------------------------------------------------------------------------------------------------------------------------------------------------------------------------------------------------------------------------------------------------------------------------------------------------------------------------------------------------------------------------------------------------------------------------------------------------------------------------------------------------------------------------------------------------------------------------------------------------------------------------------------------------------------------------------------------------------------------------------------------------------------------------------------------------------------------------------------------------------------------------------------------------------------------------------------------------------------------------------------------------------------------------------|
| Data registers | <ul style="list-style-type: none"> • 25 registers for analog input: <ul style="list-style-type: none"> - One register for A/D-converted data duplication in double trigger mode - Two registers for A/D-converted data duplication during extended operation in double trigger mode • One register for temperature sensor output • One register for internal reference voltage • One register for self-diagnosis • A/D conversion results are stored in A/D data registers • 12- and 14-bit accuracy output for A/D conversion results • A/D-converted value addition mode, in which the sum of all A/D conversion results are stored in the A/D data registers as the conversion accuracy bit count + 2 bits*4 • Double trigger mode, selectable in single scan and group scan modes: <ul style="list-style-type: none"> - The first unit of A/D-converted analog-input data on one selected channel is stored in the data register for the channel, and the second piece is stored in the duplication register • Extended operation in double trigger mode (available for specific triggers): <ul style="list-style-type: none"> - A/D-converted analog input data on one selected channel is stored in the duplication register provided for the associated trigger. |
| Operating modes | <ul style="list-style-type: none"> • Single scan mode: <ul style="list-style-type: none"> - A/D conversion is performed only once on the analog inputs of arbitrarily selected channels, on the temperature sensor output, and on the internal reference voltage. • Continuous scan mode: <ul style="list-style-type: none"> - A/D conversion is performed repeatedly on the analog inputs of channels arbitrarily selected, on the temperature sensor output, and on the internal reference voltage. • Group scan mode: <ul style="list-style-type: none"> - A/D conversion is performed only once on the analog inputs of arbitrarily selected channels divided into Group A and Group B. - The scan start conditions can be independently selected for Group A and Group B, allowing A/D conversion of Group A and Group B to be started independently. • Group scan mode (when Group A is given priority): <ul style="list-style-type: none"> - If a Group A trigger is input during A/D conversion on Group B, the A/D conversion on Group B stops and A/D conversion is performed on Group A. - Restart (rescan) of A/D conversion on Group B after completion of A/D conversion on Group A can be set. |
| Conditions for A/D conversion start | <ul style="list-style-type: none"> • Software trigger • Synchronous trigger from the Event Link Controller (ELC) • Asynchronous trigger from the external trigger pin, ADTRG0. |
| Functions | <ul style="list-style-type: none"> • Variable sampling state count • Self-diagnosis of ADC14 • Selectable A/D-converted value addition mode or average mode • Analog input disconnection detection function (discharge and precharge functions) • Double trigger mode (duplication of A/D conversion data) • Switching function for 12-bit and 14-bit conversion*2 • Automatic clear function for A/D data registers • Digital comparison of values in the comparison and data registers, and between values in the data registers. |
| Interrupt sources | <ul style="list-style-type: none"> • In single scan mode (double-trigger deselected), an A/D scan end interrupt request and ELC event signal (ADC140_ADI) can be generated on completion of a single scan. <ul style="list-style-type: none"> - A compare interrupt request (ADC140_CMPAI/ADC140_CMPBI) can be generated in response to matches with a condition for digital comparison. - A window compare ELC event signal (ADC140_WCMPPM) can be generated in response to matches with a condition for digital comparison. - A window compare ELC event signal (ADC140_WCMPUM) can be generated in response to mismatches with a condition for digital comparison. • In single scan mode (double trigger selected), an A/D scan end interrupt request and ELC event signal (ADC140_ADI) can be generated on completion of two scans • In continuous scan mode, an A/D scan end interrupt request and ELC event signal (ADC140_ADI) can be generated on completion of all the selected channel scans • In group scan mode (double-trigger deselected), an A/D scan end interrupt request and ELC event signal (ADC140_ADI) can be generated on completion of group A scan, whereas an A/D scan end interrupt request for group B (ADC140_GBADI) can be generated on completion of group B scan. • In group scan mode (double trigger selected), an A/D scan end interrupt request and ELC event signal (ADC140_ADI) can be generated on completion of two group A scan, whereas an A/D scan end interrupt request for group B (ADC140_GBADI) can be generated on completion of group B scan • The ADC140_ADI, ADC140_GBADI, ADC140_WCMPPM, and ADC140_WCMPUM can activate the DMA controller (DMAC) and the Data Transfer Controller (DTC). |

Table 35.1 ADC14 specifications (3 of 3)

| Parameter | Specifications |
|----------------------|-------------------------------------------------------------------------------------------------------------------------------------------------------------------------------------------------------------------------------------|
| ELC interface | Scan can be started by a trigger from the ELC |
| Reference voltage | <ul style="list-style-type: none"> VREFH0, AVCC0, or internal reference voltage is selectable as the high potential reference voltage VREFL0 or AVSS0 is selectable as the low potential reference voltage. |
| Module-stop function | Module-stop state can be set to reduce power consumption*3 |

Note: When selecting the temperature sensor output or the internal reference voltage, do not use continuous scan mode or group scan mode.

Note 1. Peripheral module clock PCLKB is specified in the SCKDIVCR.PCKB[2:0] bits, and A/D conversion clock ADCLK is specified in the SCKDIVCR.PCKC[2:0] bits. Maximum frequency of PCLKB is 32 MHz and maximum frequency of PCLKC (ADCLK) is 64 MHz.

Note 2. Changing A/D conversion accuracy also changes the A/D conversion time. For details, see [section 35.3.6, Analog Input Sampling and Scan Conversion Time](#).

Note 3. For details, see [section 10, Low Power Modes](#).

Note 4. The number of extended bits for addition varies with the A/D conversion accuracy and the number of addition times. A 2-bit extension is up to 4 times conversion (3 times addition) when the A/D conversion accuracy is 12 or 14 bits.

Table 35.2 ADC14 functions

| Parameter | ADC140 | | |
|---------------------------------------|-------------------------------------------------------------------------------------------|-------------------|----------------------|
| Analog input channel | AN000 to AN014, AN016 to AN025 Internal reference voltage Temperature sensor output | | |
| Conditions for A/D conversion start | External trigger | Trigger input pin | ADTRG0 |
| | Software | Software trigger | Enabled |
| | Synchronous trigger (trigger from ELC) | ELC trigger | ELC_AD00 ELC_AD01 |
| Interrupt | ADC140_ADI ADC140_GBADI ADC140_CMPAI ADC140_CMPBI | | |
| Output to ELC | ADC140_ADI ADC140_WCMPPM ADC140_WCMPUM | | |
| Setting of module-stop function*1, *2 | MSTPCRD.MSTPD16 bit | | |

Note 1. For details, see [section 10, Low Power Modes](#).

Note 2. Wait for 1 μs or longer to start A/D conversion after release from the module-stop state.

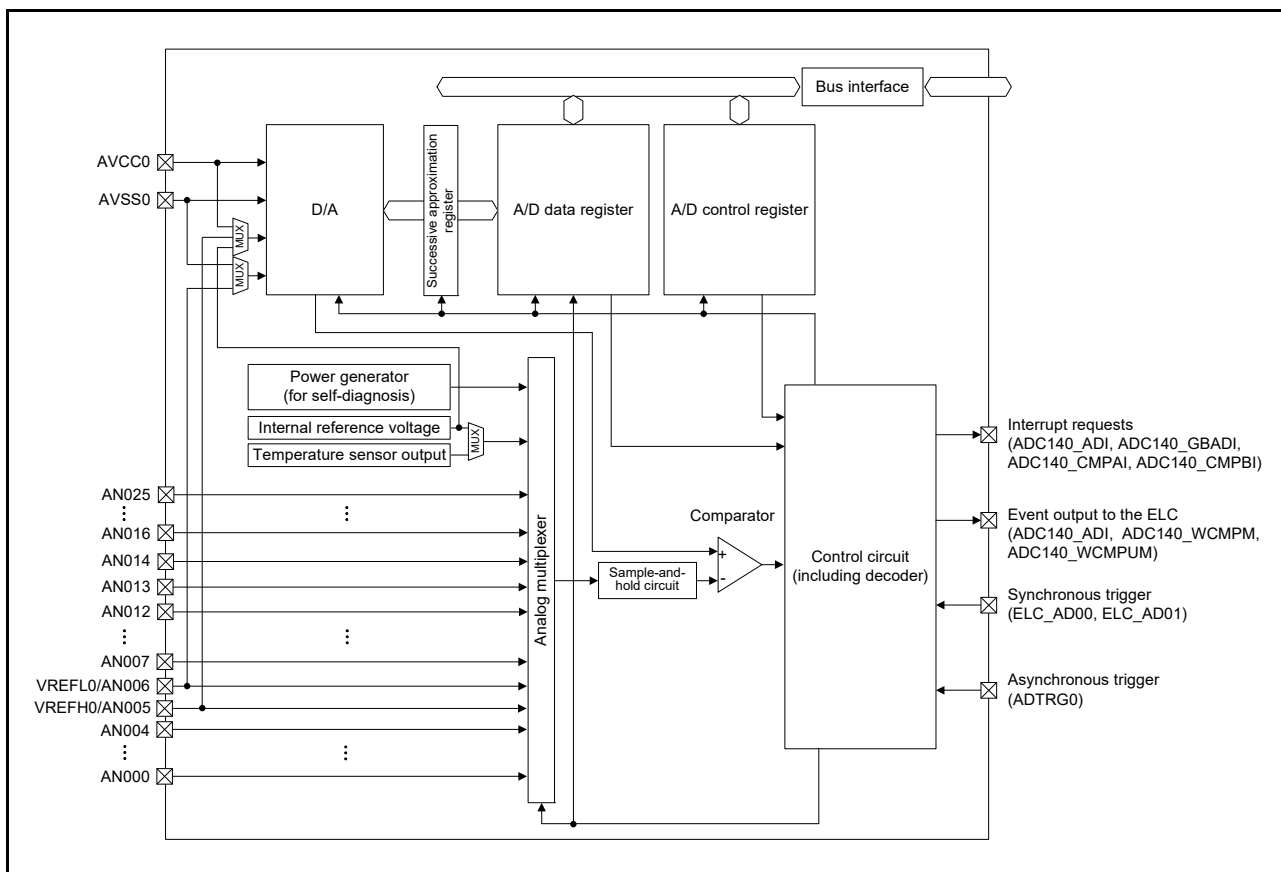


Figure 35.1 ADC14 block diagram

Table 35.3 ADC14 I/O pins

| Unit | Pin name | I/O | Function |
|--------|-----------------------------------|-------|--------------------------------------------------------|
| Unit 0 | AVCC0 | Input | Analog block power supply pin |
| | AVSS0 | Input | Analog block power supply ground pin |
| | VREFH0 | Input | Reference power supply pin |
| | VREFL0 | Input | Reference power supply ground pin |
| | AN000 to AN014, AN016 to AN025 | Input | Analog input pins 0 to 14, 16 to 25 |
| | ADTRG0 | Input | External trigger input pin for starting A/D conversion |

35.2 Register Descriptions

35.2.1 A/D Data Registers y (ADDRy), A/D Data Duplexing Register (ADDBLDR), A/D Data Duplexing Register A (ADDBLDR A), A/D Data Duplexing Register B (ADDBLDR B), A/D Temperature Sensor Data Register (ADTSDR), A/D Internal Reference Voltage Data Register (ADOC DR)

The data registers include:

- ADDRy (y = 0 to 14, 16 to 27): 16-bit read-only registers for storing A/D conversion results
- ADDBLDR: 16-bit read-only register for storing the result of A/D conversion in response to the second trigger in double trigger mode
- ADDBLDR A and ADDBLDR B: 16-bit read-only registers for storing the A/D conversion results in response to the respective triggers during extended operation in double trigger mode

- ADTSDR: 16-bit read-only register for storing the A/D conversion result of temperature sensor output
- ADOCDR: 16-bit read-only register for storing the A/D result of internal reference voltage.

The following conditions determine the formats for data in the preceding registers:

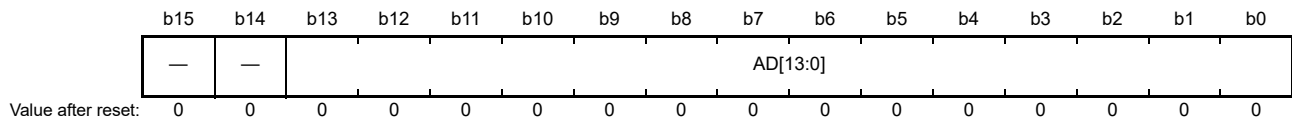
- The setting in the A/D Data Register Format Select bit (ADCER.ADRFMT) (left-justified or right-justified)
- The setting of the A/D Conversion Accuracy Specify bits (ADCER.ADPRC[1:0]) (12-bit or 14-bit setting)
- The setting of the Count Select bits (ADADC.ADC[2:0]) (once, twice, thrice, four times, or 16 times setting)
- The setting of the Average Mode Enable bit (ADADC.AVEE) (addition or average setting).

This section describes the data formats for these conditions in different modes.

(1) When A/D-converted value addition/average mode is not selected

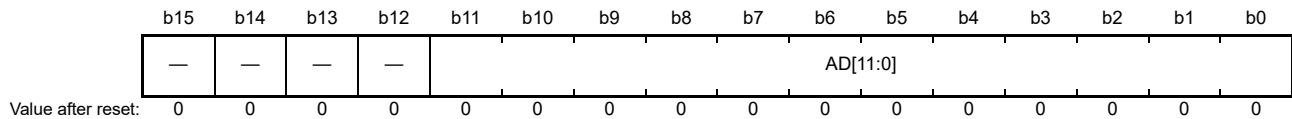
Settings for flush-right data with 14-bit accuracy

Address(es): [ADC14.ADDR0 4005 C020h](#) to [ADC14.ADDR14 4005 C03Ch](#), [ADC14.ADDR16 4005 C040h](#) to [ADC14.ADDR25 4005 C052h](#),
[ADC14.ADDBLDR 4005 C018h](#), [ADC14.ADDBLDRA 4005 C084h](#), [ADC14.ADDBLDRB 4005 C086h](#),
[ADC14.ADTSDR 4005 C01Ah](#), [ADC14.ADOCDR 4005 C01Ch](#)



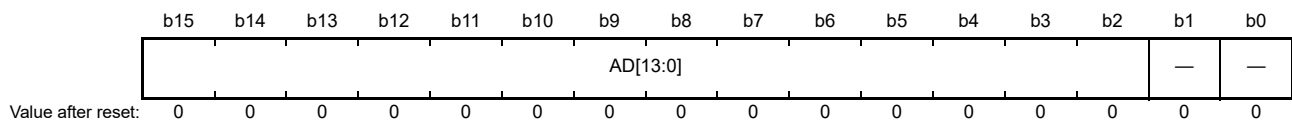
| Bit | Symbol | Bit name | Description | R/W |
|-----------|----------|-------------------------|----------------------------|-----|
| b13 to b0 | AD[13:0] | Converted Value 13 to 0 | 14-bit A/D-converted value | R |
| b15, b14 | — | Reserved | These bits are read as 0 | R |

Settings for flush-right data with 12-bit accuracy



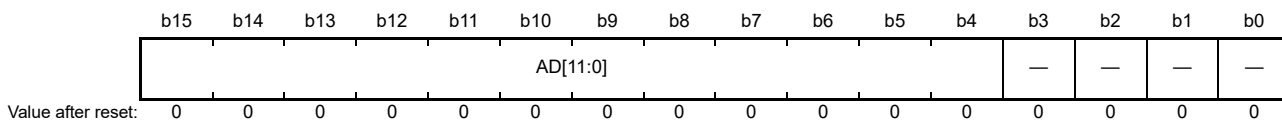
| Bit | Symbol | Bit name | Description | R/W |
|------------|----------|-------------------------|----------------------------|-----|
| b11 to b0 | AD[11:0] | Converted Value 11 to 0 | 12-bit A/D-converted value | R |
| b15 to b12 | — | Reserved | These bits are read as 0 | R |

Settings for flush-left data with 14-bit accuracy



| Bit | Symbol | Bit name | Description | R/W |
|-----------|----------|-------------------------|----------------------------|-----|
| b1, b0 | — | Reserved | These bits are read as 0 | R |
| b15 to b2 | AD[13:0] | Converted Value 13 to 0 | 14-bit A/D-converted value | R |

Settings for flush-left data with 12-bit accuracy



| Bit | Symbol | Bit Name | Description | R/W |
|-----------|----------|-------------------------|----------------------------|-----|
| b3 to b0 | — | Reserved | These bits are read as 0 | R |
| b15 to b4 | AD[11:0] | Converted Value 11 to 0 | 12-bit A/D-converted value | R |

(2) When A/D-converted value average mode is selected

A/D-converted value average mode can be selected when 2 or 4 times is specified in the A/D-converted value average mode. When A/D-converted value average mode is selected, this register indicates the mean of the A/D-converted values on the specific channel. The value is stored in the A/D data register based on the setting in the A/D Data Register Format Select bit in the same way as in normal A/D conversion.

(3) When A/D-converted value addition mode is selected

For 12-bit or 14-bit accuracy (ADPRC bit setting), 1, 2, 3, or 4 times can be selected for A/D -converted value addition. 16 times can also be selected in A/D-converted value addition mode, for 12-bit A/D data register bit-accuracy.

In addition mode, this register indicates the value that is obtained by adding up A/D-converted values on a specific channel. The value is stored in the A/D data register based on the settings of the A/D Data Register Format Select bits.

When converting 1, 2, 3, or 4 times in addition mode with 12-bit or 14-bit accuracy, the conversion result is stored in the A/D data register as a 2-bit-extended value with the specified accuracy.

When converting 16 times in addition mode with 12-bit accuracy, the A/D conversion result is stored in the A/D data register as a 4-bit-extended value with the specified accuracy.

The data formats for each given condition are as follows:

Settings for flush-right data with 14-bit accuracy

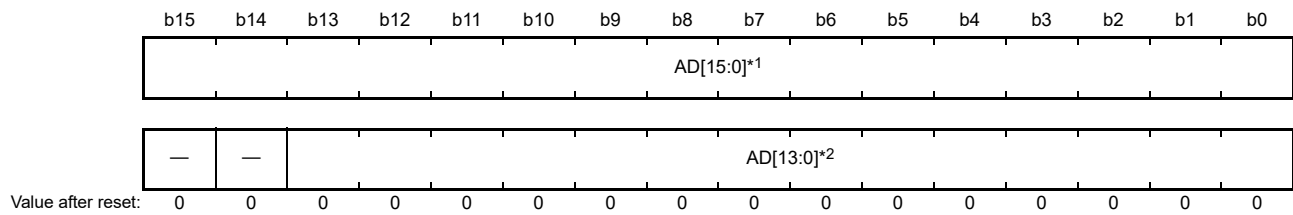
(When A/D-converted value addition mode is selected)



| Bit | Symbol | Bit name | Description | R/W |
|-----------|----------|---------------------|------------------------------------------------------------|-----|
| b15 to b0 | AD[15:0] | Added Value 15 to 0 | 16-bit value obtained by adding the A/D conversion results | R |

Settings for flush-right data with 12-bit accuracy

(When A/D-converted value addition mode is selected)



| Bit | Symbol | Bit name | Description | R/W |
|-----------|------------|---------------------|------------------------------------------------------------|-----|
| b15 to b0 | AD[15:0]*1 | Added Value 15 to 0 | 16-bit value obtained by adding the A/D conversion results | R |

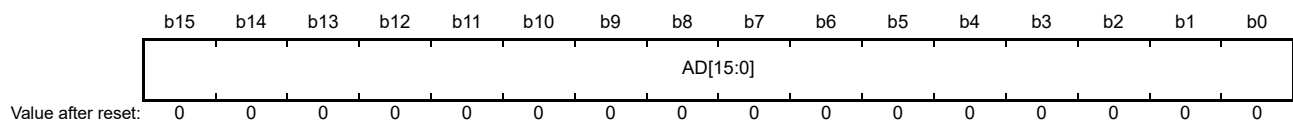
| Bit | Symbol | Bit name | Description | R/W |
|-----------|------------|---------------------|------------------------------------------------------------|-----|
| b13 to b0 | AD[13:0]*2 | Added Value 13 to 0 | 14-bit value obtained by adding the A/D conversion results | R |
| b15, b14 | — | Reserved | These bits are read as 0 | R |

Note 1. Used when 16 conversion times is specified in A/D-converted value addition mode.

Note 2. Used when 1, 2, 3, or 4 conversion times is specified in A/D-converted value addition mode.

Settings for flush-left data with 14-bit accuracy

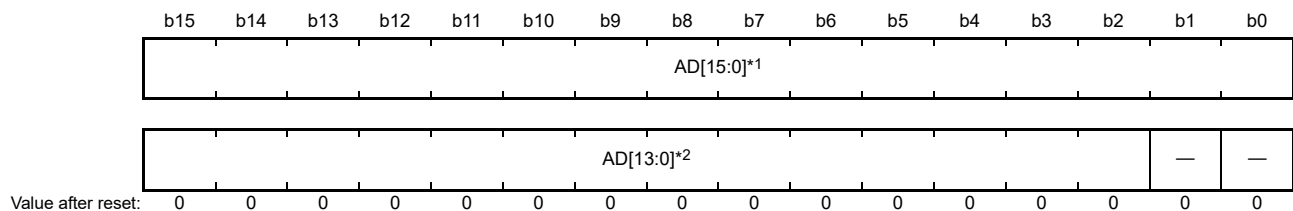
(When A/D-converted value addition mode is selected)



| Bit | Symbol | Bit name | Description | R/W |
|-----------|----------|---------------------|------------------------------------------------------------|-----|
| b15 to b0 | AD[15:0] | Added Value 15 to 0 | 16-bit value obtained by adding the A/D conversion results | R |

Settings for flush-left data with 12-bit accuracy

(When A/D-converted value addition mode is selected)



| Bit | Symbol | Bit name | Description | R/W |
|-----------|------------|---------------------|------------------------------------------------------------|-----|
| b15 to b0 | AD[15:0]*1 | Added Value 15 to 0 | 16-bit value obtained by adding the A/D conversion results | R |

| Bit | Symbol | Bit name | Description | R/W |
|--------|--------|----------|--------------------------|-----|
| b1, b0 | — | Reserved | These bits are read as 0 | R |

| Bit | Symbol | Bit name | Description | R/W |
|-----------|------------|---------------------|------------------------------------------------------------|-----|
| b15 to b2 | AD[13:0]*2 | Added Value 13 to 0 | 14-bit value obtained by adding the A/D conversion results | R |

Note 1. Used when 16 conversion times is specified in A/D-converted value addition mode.

Note 2. Used when 1, 2, 3, or 4 conversion times is specified in A/D-converted value addition mode.

35.2.2 A/D Self-Diagnosis Data Register (ADRD)

ADRD is a 16-bit read-only register that holds the A/D conversion results based on the self-diagnosis of ADC14. In addition to the A/D bits indicating A/D-converted value, the self-diagnosis status bit (DIAGST) is included.

The following conditions determine the format for data in this register:

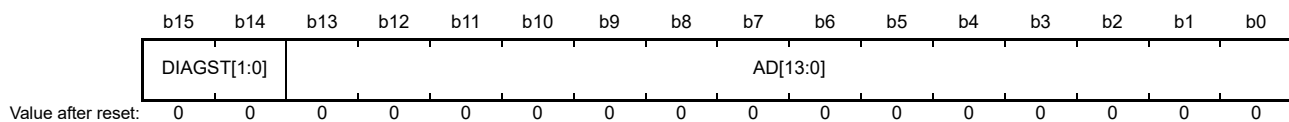
- The setting in the A/D Data Register Format Select bit (ADCER.ADRFMT) (left-justified or right-justified setting)
- The setting in the A/D Conversion Accuracy Specify bits (ADCER.ADPRC[1:0]) (12-bit or 14-bit)

The A/D-converted value addition mode and average mode cannot be applied to the A/D self-diagnosis function. For details on self-diagnosis, see [section 35.2.11, A/D Control Extended Register \(ADCER\)](#).

This section describes the data formats for each given condition.

Settings for flush-right data with 14-bit accuracy

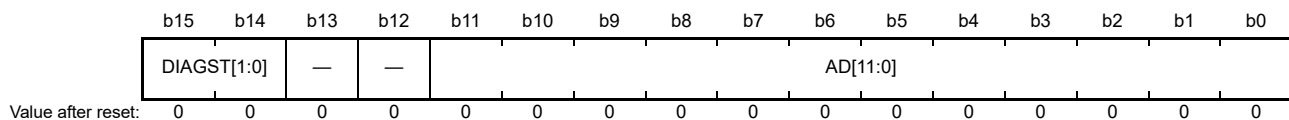
Address(es): [ADC140.ADRD 4005 C01Eh](#)



| Bit | Symbol | Bit name | Description | R/W |
|-----------|-------------|-------------------------|---------------------------------------------------------------------------------------------------------------------------------------------------------------------------------------------------------------------------------------------------------------------------------------------------------------------------------------------------------------------------------------------------------------------------------------|-----|
| b13 to b0 | AD[13:0] | Converted Value 13 to 0 | 14-bit A/D-converted value | R |
| b15, b14 | DIAGST[1:0] | Self-Diagnosis Status | ^{b15 b14} 0 0: Self-diagnosis has not been executed since power-on 0 1: Self-diagnosis was executed using the voltage of 0 V 1 0: Self-diagnosis was executed using the voltage of reference power supply*1 × 1/2 1 1: Self-diagnosis was executed using the voltage of reference power supply*1. For details on self-diagnosis, see section 35.2.11, A/D Control Extended Register (ADCER) . | R |

Note 1. Reference voltage refers to VREFH0.

Settings for flush-right data with 12-bit accuracy

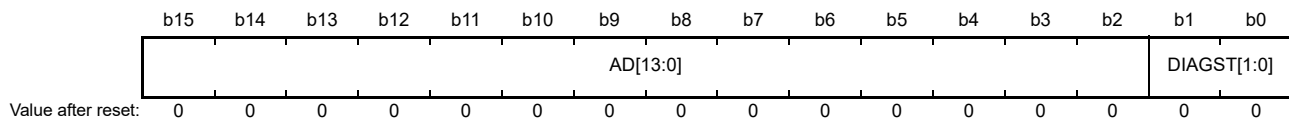


| Bit | Symbol | Bit name | Description | R/W |
|-----------|----------|-------------------------|----------------------------|-----|
| b11 to b0 | AD[11:0] | Converted Value 11 to 0 | 12-bit A/D-converted value | R |
| b13, b12 | — | Reserved | These bits are read as 0 | R |

| Bit | Symbol | Bit name | Description | R/W |
|----------|-------------|-----------------------|----------------------------------------------------------------------------------------------------------------------------------------------------------------------------------------------------------------------------------------------------------------------------------------------------------------------------------------------------------------------------------------------------------------------------|-----|
| b15, b14 | DIAGST[1:0] | Self-Diagnosis Status | b15 b14 0 0: Self-diagnosis has not been executed since power-on 0 1: Self-diagnosis was executed using the voltage of 0 V 1 0: Self-diagnosis was executed using the voltage of reference power supply*1 × 1/2 1 1: Self-diagnosis was executed using the voltage of reference power supply*1. For details on self-diagnosis, see section 35.2.11, A/D Control Extended Register (ADCER) . | R |

Note 1. Reference voltage refers to VREFH0.

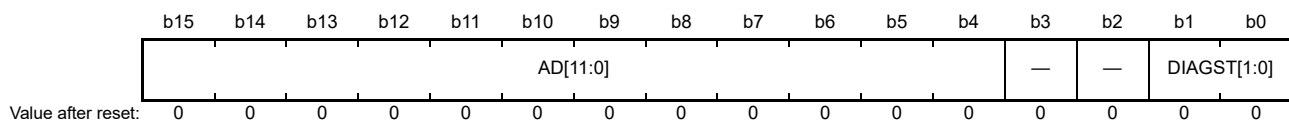
Settings for flush-left data with 14-bit accuracy



| Bit | Symbol | Bit name | Description | R/W |
|-----------|-------------|-------------------------|--------------------------------------------------------------------------------------------------------------------------------------------------------------------------------------------------------------------------------------------------------------------------------------------------------------------------------------------------------------------------------------------------------------------------|-----|
| b1, b0 | DIAGST[1:0] | Self-Diagnosis Status | b1 b0 0 0: Self-diagnosis has not been executed since power-on 0 1: Self-diagnosis was executed using the voltage of 0 V 1 0: Self-diagnosis was executed using the voltage of reference power supply*1 × 1/2 1 1: Self-diagnosis was executed using the voltage of reference power supply*1. For details on self-diagnosis, see section 35.2.11, A/D Control Extended Register (ADCER) . | R |
| b15 to b2 | AD[13:0] | Converted Value 13 to 0 | 14-bit A/D-converted value | R |

Note 1. Reference voltage refers to VREFH0.

Settings for flush-left data with 12-bit accuracy



| Bit | Symbol | Bit name | Description | R/W |
|-----------|-------------|-------------------------|--------------------------------------------------------------------------------------------------------------------------------------------------------------------------------------------------------------------------------------------------------------------------------------------------------------------------------------------------------------------------------------------------------------------------|-----|
| b1, b0 | DIAGST[1:0] | Self-Diagnosis Status | b1 b0 0 0: Self-diagnosis has not been executed since power-on 0 1: Self-diagnosis was executed using the voltage of 0 V 1 0: Self-diagnosis was executed using the voltage of reference power supply*1 × 1/2 1 1: Self-diagnosis was executed using the voltage of reference power supply*1. For details on self-diagnosis, see section 35.2.11, A/D Control Extended Register (ADCER) . | R |
| b3, b2 | — | Reserved | These bits are read as 0 | R |
| b15 to b4 | AD[11:0] | Converted Value 11 to 0 | 12-bit A/D-converted value | R |

Note 1. Reference voltage refers to VREFH0.

35.2.3 A/D Control Register (ADCSR)

Address(es): [ADC140.ADCSR 4005 C000h](#)

| | | | | | | | | | | | | | | | |
|----------------------------------------------------|-----------|-----|-----|-------|------|-------|------|--------|----|-------------|----|----|----|----|----|
| b15 | b14 | b13 | b12 | b11 | b10 | b9 | b8 | b7 | b6 | b5 | b4 | b3 | b2 | b1 | b0 |
| ADST | ADCS[1:0] | — | — | ADHSC | TRGE | EXTRG | DBLE | GBADIE | — | DBLANS[4:0] | | | | | |
| Value after reset: 0 0 0 0 0 0 0 0 0 0 0 0 0 0 0 0 | | | | | | | | | | | | | | | |

| Bit | Symbol | Bit name | Description | R/W |
|----------|-----------------------------|-----------------------------------|--------------------------------------------------------------------------------------------------------------------------------------------------------------------------------------------------|-----|
| b4 to b0 | DBLANS[4:0] | Double Trigger Channel Select | These bits select one analog input channel for double-triggered operation. The setting is only valid in double trigger mode. | R/W |
| b5 | — | Reserved | This bit is read as 0. The write value should be 0. | R/W |
| b6 | GBADIE | Group B Scan End Interrupt Enable | 0: Disable ADC140_GBADI interrupt generation on group B scan completion 1: Enable ADC140_GBADI interrupt generation on group B scan completion Group B scan works only in group scan mode. | R/W |
| b7 | DBLE | Double Trigger Mode Select | 0: Deselect double trigger mode 1: Select double trigger mode. | R/W |
| b8 | EXTRG | Trigger Select*1 | 0: A/D conversion is started by a synchronous trigger (ELC) 1: A/D conversion is started by an asynchronous trigger (ADTRG0). | R/W |
| b9 | TRGE | Trigger Start Enable | 0: Disable A/D conversion to be started by a synchronous or asynchronous trigger 1: Enable A/D conversion to be started by a synchronous or asynchronous trigger. | R/W |
| b10 | ADHSC | A/D Conversion Mode Select | 0: High-speed A/D conversion mode 1: Low-power A/D conversion mode. | R/W |
| b12, b11 | — | Reserved | These bits are read as 0. The write value should be 0. | R/W |
| b14, b13 | ADCS[1:0] | Scan Mode Select | b14 b13 0 0: Single scan mode 0 1: Group scan mode 1 0: Continuous scan mode 1 1: Setting prohibited. | R/W |
| b15 | ADST | A/D Conversion Start | 0: Stop A/D conversion process 1: Start A/D conversion process. | R/W |

Note 1. To start A/D conversion using an external pin (asynchronous trigger):
After a high-level signal is input to the external pin (ADTRG0), write 1 to both the TRGE and EXTRG bits in ADCSR and drive ADTRG0 low. With these settings, the scan conversion process is starts on detection of the falling edge of ADTRG0. For this configuration, the pulse width of the low-level input must be at least 1.5 PCLKB cycles.

[DBLANS\[4:0\] bits \(Double Trigger Channel Select\)](#)

The DBLANS[4:0] bits select one of the channels for A/D conversion data duplication in double trigger mode. The A/D conversion results from the specified analog input channel are stored in the A/D Data Register y when conversion is started by the first trigger, and in the A/D Data Duplexing Register when started by the second trigger. [Table 35.4](#) shows selection of the channel for double-triggered operation.

A/D-converted value addition/average mode in double trigger mode can be set by selecting the channel using the DBLANS[4:0] bits in the ADADS0 and ADADS1 registers. In double trigger mode, the channels selected in the ADANSA0 and ADANSA1 registers are invalid, and the channel selected by the DBLANS[4:0] bits is A/D converted instead.

When double trigger mode is used in group scan mode, double-trigger control is applied only to group A and not to group B. This means that the multi-channel analog input can be selected for group B even in double trigger mode.

Only set the DBLANS[4:0] bits when the ADST bit is 0. Do not set these bits at the same time you write 1 to the ADST bit. To enter A/D-converted value addition/average mode when in double trigger mode, select the channel using the DBLANS[4:0] bits in the ADANSA0 and ADANSA1 registers.

Table 35.4 Relationship between DBLANS bit settings and double-trigger enabled channels

| DBLANS[4:0] | Duplication channel | DBLANS[4:0] | Duplication channel |
|-------------|---------------------|-------------|---------------------|
| 00000 | AN000 | 10000 | AN016 |
| 00001 | AN001 | 10001 | AN017 |
| 00010 | AN002 | 10010 | AN018 |
| 00011 | AN003 | 10011 | AN019 |
| 00100 | AN004 | 10100 | AN020 |
| 00101 | AN005 | 10101 | AN021 |
| 00110 | AN006 | 10110 | AN022 |
| 00111 | AN007 | 10111 | AN023 |
| 01000 | AN008 | 11000 | AN024 |
| 01001 | AN009 | 11001 | AN025 |
| 01010 | AN010 | | |
| 01011 | AN011 | | |
| 01100 | AN012 | | |
| 01101 | AN013 | | |
| 01110 | AN014 | | |

Note: A/D-converted data from the self-diagnosis function, temperature sensor output, and internal reference voltage cannot be used in double trigger mode.

GBADIE bit (Group B Scan End Interrupt Enable)

The GBADIE bit enables or disables group B scan end interrupt (ADC140_GBADI) in group scan mode.

DBLE bit (Double Trigger Mode Select)

The DBLE bit selects or deselects double trigger mode. Double trigger mode can be only operated by the synchronous trigger (ELC) selected in the ADSTRGR.TRSA[5:0] bits.

Double trigger mode operates as follows:

- The ADC140_ADI interrupt is not output on completion of the first conversion but on completion of the second conversion
- The A/D conversion results from the duplication channel (selected in the DBLANS[4:0] bits) started by the first trigger are stored in the A/D Data Register y and the results started by the second trigger are stored in the A/D Data Duplication Register.

When DBLE is set (double trigger mode is selected), the channels specified in the ADANSA0 and ADANSA1 registers are invalid. Do not select double trigger mode in continuous scan mode.

Software trigger cannot be used in double trigger mode. Always set the ADST bit to 0 before setting the DBLE bit. In other words, do not set this bit at the same time as writing 1 to the ADST bit.

EXTRG bit (Trigger Select)

The EXTRG bit selects the synchronous trigger or asynchronous trigger as the trigger for starting A/D conversion.

TRGE bit (Trigger Start Enable)

The TRGE bit enables or disables A/D conversion by the synchronous and asynchronous triggers. Set this bit to 1 in group scan mode.

ADHSC bit (A/D Conversion Mode Select)

The ADHSC bit selects either the High-speed mode or low-current mode for A/D conversion.

For details on how to rewrite this bit, see [section 35.8.8, ADHSC Bit Rewriting Procedure](#).

ADCS[1:0] bits (Scan Mode Select)

The ADCS[1:0] bits select the scan mode.

In single scan mode, A/D conversion is performed for the analog inputs selected in the ADANSA0 and ADANSA1 registers in ascending order of channel number, for a maximum of 25 channels. When 1 cycle of A/D conversion completes for all the selected channels, the scan conversion stops.

In continuous scan mode, when the ADST bit in ADCSR is 1, A/D conversion is performed for the analog inputs selected in the ADANSA0 and ADANSA1 registers in ascending order of channel number. When 1 cycle of A/D conversion completes for all the selected channels, A/D conversion is repeated from the first channel. If the ADST bit in ADCSR is set to 0 during continuous scan, A/D conversion stops even when scanning is in progress.

In group scan mode:

- Group A scanning is started by the synchronous trigger (ELC) selected in the ADSTRGR.TRSA[5:0] bits. A/D conversion is performed on group A analog inputs, up to the maximum number of channels selected in the ADANSA0 and ADANSA1 registers, in ascending order of channel number. When 1 cycle of A/D conversion completes for all the selected channels, A/D conversion stops.
- Group B scanning is started by the synchronous trigger (ELC) selected in the ADSTRGR.TRSB[5:0] bits. A/D conversion is performed on group B analog inputs, up to the maximum number of 25 channels selected in the ADANSB0 and ADANSB1 registers, in ascending order of channel number. When 1 cycle of A/D conversion completes for all the selected channels, conversion stops.

If the conversion processes in group A and B occur at the same time, those conversions cannot be controlled separately. In this case, set the Group A Priority Control Setting bit (ADGSPCR.PGS) in the A/D Group Scan Priority Control Register (ADGSPCR) to 1, to assign priority to group A conversion.

In group scan mode, select different channels and triggers for group A and group B.

When selecting temperature sensor output or internal reference voltage, select single scan mode and perform A/D conversion after deselecting all channels in ADANSA0/1 register setting. When completing A/D conversion of the selected temperature sensor output or internal reference voltage, A/D conversion stops.

Set the ADST bit to 0 before setting the ADCS[1:0] bits. In other words, do not set both the ADCS[1:0] and ADST bits to 1 at the same time.

Table 35.5 Selectable targets for A/D conversion based on scan mode and double trigger mode settings

| Scan mode setting | Double trigger mode setting | Targets for A/D conversion | | | | |
|-------------------|-----------------------------|----------------------------|----------------------------------|------------------------|---------------------------|----------------------------|
| | | Self-diagnosis | Analog input (including group A) | Analog input (group B) | Temperature sensor output | Internal reference voltage |
| Single scan | DBLE = 0 | ✓ | ✓ | × | ✓ | ✓ |
| | DBLE = 1 | × | ✓ (1 ch only) | × | × | × |
| Continuous scan | DBLE = 0 | ✓ | ✓ | × | × | × |
| | DBLE = 1 | × | × | × | × | × |
| Group scan | DBLE = 0 | ✓ | ✓ | ✓ | × | × |
| | DBLE = 1 | × | ✓ (1 ch only) | ✓ | × | × |

✓: Selectable

×: Not selectable.

ADST bit (A/D Conversion Start)

The ADST bit starts or stops the A/D conversion process. Before the ADST bit is set to 1, set the A/D conversion clock, the conversion mode, and analog inputs to be converted.

[Setting conditions]

- On writing 1 through software
- When the synchronous trigger (ELC) selected in the ADSTRGR.TRSA[5:0] bits is detected when ADCSR.EXTRG is 00 and ADCSR.TRGE is 1

- When the synchronous trigger (ELC) selected in the ADSTRGR.TRSB[5:0] bits is detected when the ADCSR.TRGE bit is set to 1 in group scan mode
- When the asynchronous trigger is detected with the ADCSR.TRGE and ADCSR.EXTRG bits are set to 1, and the ADSTRGR.TRSA[5:0] bits are set to 000000b
- When group A priority control operation mode is enabled (ADCSR.ADCS[1:0] bits = 01b and ADGSPCR.PGS bit = 1), the ADGSPCR.GBRP bit is set to 1, and each time A/D conversion of group B starts.

[Clearing conditions]

- When 0 is written by software
- When A/D conversion of all the selected channels, the temperature sensor output, or the internal reference voltage completes in single scan mode
- When group A scan completes in group scan mode
- When group B scan completes in group scan mode
- When group A priority control operation mode is enabled (ADCSR.ADCS[1:0] bits = 01b and ADGSPCR.PGS bit = 1), the ADGSPCR.GBRP bit is set to 1 and each time a scanning of group B completes.

Note: When group A priority control operation mode is enabled (ADCSR.ADCS[1:0] bits = 01b and ADGSPCR.PGS bit = 1), do not set the ADST bit to 1.

Note: When group A priority control operation mode is enabled (ADCSR.ADCS[1:0] bits = 01b and ADGSPCR.PGS bit = 1), do not set the ADST bit to 0. When forcing A/D conversion to terminate, follow the procedure for clearing the ADST bit.

Note: If the single scan continuous function is used (ADGSPCR.GBRP = 1) when the group priority operation mode is enabled (ADCSR.ADCS[1:0] = 01b and ADGSPCR.PGS = 1), the ADST bit remains at 1.

35.2.4 A/D Channel Select Register A0 (ADANSA0)

Address(es): ADC140.ADANSA0 4005 C004h

| | | | | | | | | | | | | | | | | |
|--------------------|-----|--------|--------|--------|--------|--------|--------|--------|--------|--------|--------|--------|--------|--------|--------|--------|
| | b15 | b14 | b13 | b12 | b11 | b10 | b9 | b8 | b7 | b6 | b5 | b4 | b3 | b2 | b1 | b0 |
| | — | ANSA14 | ANSA13 | ANSA12 | ANSA11 | ANSA10 | ANSA09 | ANSA08 | ANSA07 | ANSA06 | ANSA05 | ANSA04 | ANSA03 | ANSA02 | ANSA01 | ANSA00 |
| Value after reset: | 0 | 0 | 0 | 0 | 0 | 0 | 0 | 0 | 0 | 0 | 0 | 0 | 0 | 0 | 0 | 0 |

| Bit | Symbol | Bit name | Description | R/W |
|-----------|------------------|--------------------------------|------------------------------------------------------------------------------------------------------------------------------------------------------------------------|-----|
| b14 to b0 | ANSA14 to ANSA00 | A/D Conversion Channels Select | 0: Associated input channel not selected 1: Associated input channel selected. Bit [14] (ANSA14) corresponds to AN014 and bit [0] (ANSA00) corresponds to AN000. | R/W |
| b15 | — | Reserved | This bit is read as 0. The write value should be 0. | R/W |

ANSAn bits (n = 00 to 14) (A/D Conversion Channels Select)

The ANSA_n.ADANSA0 bits select the analog input channels for A/D conversion from AN000 to AN014. The selected channels and their number can be set arbitrarily. The ANSA00 bit is associated with AN000 and the ANSA14 bit is associated with AN014.

When performing A/D conversion of temperature sensor output or internal reference voltage, set the ADANSA0 register to 0000h to deselect all analog input channels.

In double trigger mode, the channel selected in the ADANSA0 register is invalid, and the channel specified in the ADCSR.DBLANS[4:0] bits is selected in group A instead.

In group scan mode, do not select the channels specified in A/D Channel Select Register B0 (ADANSB0) and A/D Channel Select Register B1 (ADANSB1).

Only set the ADANSA0 register when the ADCSR.ADST bit is 0.

35.2.5 A/D Channel Select Register A1 (ADANSA1)

Address(es): [ADC140.ADANSA1 4005 C006h](#)

| | | | | | | | | | | | | | | | |
|----------------------------------------------------|-----|-----|-----|-----|-----|------------|------------|------------|------------|------------|------------|------------|------------|------------|------------|
| b15 | b14 | b13 | b12 | b11 | b10 | b9 | b8 | b7 | b6 | b5 | b4 | b3 | b2 | b1 | b0 |
| — | — | — | — | — | — | ANSA2 5 | ANSA2 4 | ANSA2 3 | ANSA2 2 | ANSA2 1 | ANSA2 0 | ANSA1 9 | ANSA1 8 | ANSA1 7 | ANSA1 6 |
| Value after reset: 0 0 0 0 0 0 0 0 0 0 0 0 0 0 0 0 | | | | | | | | | | | | | | | |

| Bit | Symbol | Bit name | Description | R/W |
|------------|------------------|--------------------------------|-------------------------------------------------------------------------------------------------------------------------------------------------------------------------|-----|
| b9 to b0 | ANSA25 to ANSA16 | A/D Conversion Channels Select | 0: Associated input channel not selected 1: Associated channel selected. Bit [9] (ANSA25) is associated with AN025 and bit [0] (ANSA16) is associated with AN016. | R/W |
| b15 to b10 | — | Reserved | These bits are read as 0. The write value should be 0. | R/W |

ANSn Bits (n = 16 to 25) (A/D Conversion Channels Select)

The ADANSA1 register selects the analog input channels for A/D conversion from AN016 to AN025. The selected channels and their number can be arbitrarily set. The ANSA16 bit is associated with AN016 and the ANSA25 bit is associated with AN025. In double trigger mode, the channel selection in the ADANSA1 register is invalid, and the group A channel specified in the ADCSR.DBLANS[4:0] bits is selected instead.

When performing A/D conversion on the temperature sensor output or internal reference voltage, set the ADANSA1 register to 0000h to deselect all analog input channels.

In group scan mode, do not select the channels specified in A/D Channel Select Register B0 (ADANSB0) and A/D Channel Select Register B1 (ADANSB1).

Only set the ADANSA1 register while the ADCSR.ADST bit is 0.

35.2.6 A/D Channel Select Register B0 (ADANSB0)

Address(es): [ADC140.ADANSB0 4005 C014h](#)

| | | | | | | | | | | | | | | | |
|----------------------------------------------------|------------|------------|------------|------------|------------|------------|------------|------------|------------|------------|------------|------------|------------|------------|------------|
| b15 | b14 | b13 | b12 | b11 | b10 | b9 | b8 | b7 | b6 | b5 | b4 | b3 | b2 | b1 | b0 |
| — | ANSB1 4 | ANSB1 3 | ANSB1 2 | ANSB1 1 | ANSB1 0 | ANSB0 9 | ANSB0 8 | ANSB0 7 | ANSB0 6 | ANSB0 5 | ANSB0 4 | ANSB0 3 | ANSB0 2 | ANSB0 1 | ANSB0 0 |
| Value after reset: 0 0 0 0 0 0 0 0 0 0 0 0 0 0 0 0 | | | | | | | | | | | | | | | |

| Bit | Symbol | Bit name | Description | R/W |
|-----------|------------------|--------------------------------|------------------------------------------------------------------------------------------------------------------------------------------------------------------------|-----|
| b14 to b0 | ANSB14 to ANSB00 | A/D Conversion Channels Select | 0: Associated input channel not selected 1: Associated input channel selected. Bit [14] (ANSB14) corresponds to AN014 and bit [0] (ANSB00) corresponds to AN000. | R/W |
| b15 | — | Reserved | This bit is read as 0. The write value should be 0. | R/W |

ANSBn bits (n = 00 to 15) (A/D Conversion Channels Select)

The ADANSB0.ANSBn bits select the analog input channels for A/D conversion from AN000 to AN014 in group B when group scan mode is selected. The ADANSB0 register is only used for group scan mode and not for any other modes.

Do not select the channels specified in group A as selected in the ADANSA0 and ADANSA1 registers and the ADCSR.DBLANS[4:0] bits in double trigger mode.

The ANSB0 bit is associated with AN000, the ANSB07 bit is associated with AN007, and the ANSB14 bit is associated with AN014.

When performing A/D conversion on the temperature sensor output or internal reference voltage, set the ADANSB0 register to 0000h to deselect all analog input channels.

Only set the ADANSB register while the ADCSR.ADST bit is 0.

35.2.7 A/D Channel Select Register B1 (ADANSB1)

Address(es): [ADC140.ADANSB1 4005 C016h](#)

| | | | | | | | | | | | | | | | | |
|--------------------|-----|-----|-----|-----|-----|-----|--------|--------|--------|--------|--------|--------|--------|--------|--------|--------|
| | b15 | b14 | b13 | b12 | b11 | b10 | b9 | b8 | b7 | b6 | b5 | b4 | b3 | b2 | b1 | b0 |
| | — | — | — | — | — | — | ANSB25 | ANSB24 | ANSB23 | ANSB22 | ANSB21 | ANSB20 | ANSB19 | ANSB18 | ANSB17 | ANSB16 |
| Value after reset: | 0 | 0 | 0 | 0 | 0 | 0 | 0 | 0 | 0 | 0 | 0 | 0 | 0 | 0 | 0 | 0 |

| Bit | Symbol | Bit name | Description | R/W |
|------------|------------------|--------------------------------|-----------------------------------------------------------------------------------------------------------------------------------------------------------------------|-----|
| b9 to b0 | ANSB25 to ANSB16 | A/D Conversion Channels Select | 0: Associated input channel not selected 1: Associated input channel selected. Bit [9] (ANSB25) corresponds to AN025 and bit [0] (ANSB16) corresponds to AN016. | R/W |
| b15 to b10 | — | Reserved | These bits are read as 0. The write value should be 0. | R/W |

ANSBn bits (n = 16 to 25) (A/D Conversion Channels Select)

The ADANSB1.ANSBn bits select the analog input channels for A/D conversion from AN016 to AN025 in group B when group scan mode is selected. The ADANSB1 register is only used for group scan mode and not for any other modes.

Do not select channels specified in group A as selected with the ADANSA0 and ADANSA1 registers and the ADCSR.DBLANS[4:0] bits in double trigger mode.

The ANSB16 bit is associated with AN016, the ANSB20 bit is associated with AN020, and the ANSB25 bit is associated with AN025.

When performing A/D conversion on the temperature sensor output or internal reference voltage, set the ADANSB1 register to 0000h to deselect all analog input channels.

Only set the ADANSB1 register bits when the ADST bit is 0.

35.2.8 A/D-Converted Value Addition/Average Channel Select Register 0 (ADADS0)

Address(es): [ADC140.ADADS0 4005 C008h](#)

| | | | | | | | | | | | | | | | | |
|--------------------|-----|-------|-------|-------|-------|-------|-------|-------|-------|-------|-------|-------|-------|-------|-------|-------|
| | b15 | b14 | b13 | b12 | b11 | b10 | b9 | b8 | b7 | b6 | b5 | b4 | b3 | b2 | b1 | b0 |
| | — | ADS14 | ADS13 | ADS12 | ADS11 | ADS10 | ADS09 | ADS08 | ADS07 | ADS06 | ADS05 | ADS04 | ADS03 | ADS02 | ADS01 | ADS00 |
| Value after reset: | 0 | 0 | 0 | 0 | 0 | 0 | 0 | 0 | 0 | 0 | 0 | 0 | 0 | 0 | 0 | 0 |

| Bit | Symbol | Bit name | Description | R/W |
|-----------|----------------|-----------------------------------------------------|----------------------------------------------------------------------------------------------------------------------------------------------------------------------|-----|
| b14 to b0 | ADS14 to ADS00 | A/D-Converted Value Addition/Average Channel Select | 0: Associated input channel not selected 1: Associated input channel selected. Bit [14] (ADS14) corresponds to AN014 and bit [0] (ADS00) corresponds to AN000. | R/W |
| b15 | — | Reserved | This bit is read as 0. The write value should be 0. | R/W |

ADSn bits (n = 00 to 14) (A/D-Converted Value Addition/Average Channel Select)

The ADSn bits determine which A/D-converted channel selected in the ANSAn bits (n = 00 to 14) in ADANSA0, or the ADCSR.DBLANS[4:0] bits is subject to A/D-converted value addition or averaging.

When the ADSn bit in ADANSA0, or DBLANS[4:0] bits in ADCSR and ANSBn bits (n = 00 to 14) in ADANSB0, is set

to 1, A/D conversion of the analog input of the respective channel is performed successively 1 to 16 times, as specified in the ADC[2:0] bits in ADADC.

When the ADADC.AVEE bit is 0, the value obtained by addition (integration) is stored in the A/D Data Register. When the ADADC.AVEE bit is 1, the mean value of the results obtained by addition (integration) is stored in the A/D Data Register. For channels on which the A/D conversion is performed and for which addition/average mode is not selected, a normal 1-time conversion is executed and the conversion result is stored in the A/D Data Register.

Only set the ADADS0 register bits when the ADCSR.ADST bit is 0.

35.2.9 A/D-Converted Value Addition/Average Channel Select Register 1 (ADADS1)

Address(es): ADC140.ADADS1 4005 C00Ah

| | | | | | | | | | | | | | | | | |
|--------------------|-----|-----|-----|-----|-----|-----|-------|-------|-------|-------|-------|-------|-------|-------|-------|-------|
| | b15 | b14 | b13 | b12 | b11 | b10 | b9 | b8 | b7 | b6 | b5 | b4 | b3 | b2 | b1 | b0 |
| | — | — | — | — | — | — | ADS25 | ADS24 | ADS23 | ADS22 | ADS21 | ADS20 | ADS19 | ADS18 | ADS17 | ADS16 |
| Value after reset: | 0 | 0 | 0 | 0 | 0 | 0 | 0 | 0 | 0 | 0 | 0 | 0 | 0 | 0 | 0 | 0 |

| Bit | Symbol | Bit name | Description | R/W |
|------------|----------------|-----------------------------------------------------|------------------------------------------------------------------------------------------------------------------------------------------------------------------------|-----|
| b9 to b0 | ADS25 to ADS16 | A/D-Converted Value Addition/Average Channel Select | 0: Associated input channel not selected 1: Associated input channel selected. Bit [9] (ADS25) is associated with AN025 and bit [0] (ADS16) is associated AN016. | R/W |
| b15 to b10 | — | Reserved | These bits are read as 0. The write value should be 0. | R/W |

ADS_n bits (n = 16 to 25) (A/D-Converted Value Addition/Average Channel Select)

The ADS_n bits determine which A/D-converted channels selected in ANSA_n bits (n = 16 to 25) in ADANSA1, or DBLANS[4:0] bits in ADCSR and ANSB_n bits (n = 16 to 25) in ADANSB1 are subject to A/D-converted value addition or averaging. When an ADS_n bit is set to 1, A/D conversion of the analog input of the selected channels is performed successively 1 to 16 times as determined by the setting in the ADC[2:0] bits in ADADC.

When the ADADC.AVEE bit is 0, the value obtained by addition is stored in the A/D Data Register. When the ADADC.AVEE bit is 1, the mean value of the results obtained by addition is stored in the A/D Data Register. For channels on which the A/D conversion is performed and for which addition/average mode is not selected, a normal 1-time conversion is executed and the conversion result is stored in the A/D Data Register.

Only set the ADADS1 register when the ADCSR.ADST bit is 0.

Figure 35.2 shows a scanning operation sequence in which both the ADADS0.ADS02 and ADADS0.ADS06 bits are set to 1.

For example:

- Addition mode is selected (ADADS.AVEE = 0)
- The number of conversions is set to 4 (ADADC.ADC[1:0] = 11b)
- Channels AN000 to AN007 are selected (ADANSA0.ANSA0[15:0] = 00FFh) in continuous scan mode (ADCSR.ADCS[1:0] = 10b).

The conversion process begins with AN000. The AN002 conversion is performed successively 4 times, and the added value is returned to A/D Data Register 2 (ADDR2). Next, the AN003 conversion process is started. The AN006 conversion is performed successively 4 times and the added value is returned to A/D Data Register 6 (ADDR6). After conversion of AN007, the conversion operation repeats in the same sequence starting from AN000.

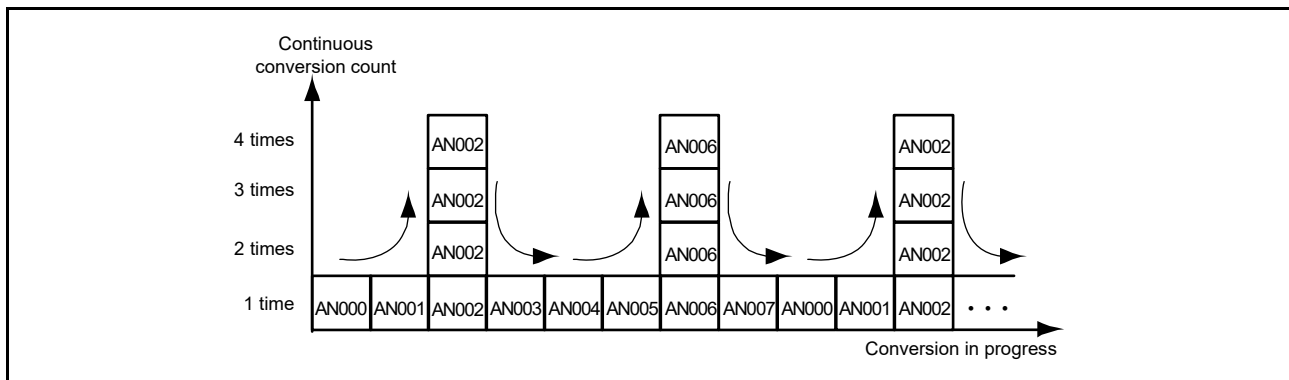
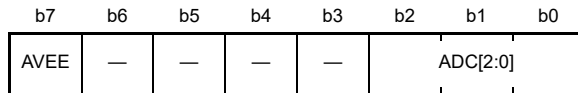


Figure 35.2 Scan conversion sequence with ADADC.ADC[2:0] = 011b, ADADS0.ADS02 = 1, and ADADS0.ADS06 = 1

35.2.10 A/D-Converted Value Addition/Average Count Select Register (ADADC)

Address(es): ADC140.ADADC 4005 C00Ch



Value after reset: 0 0 0 0 0 0 0 0

| Bit | Symbol | Bit name | Description | R/W |
|----------|----------|---------------------|------------------------------------------------------------------------------------------------------------------------------------------------------------------------------------------------------------------------------------------------------------------------------------------------|-----|
| b2 to b0 | ADC[2:0] | Count Select | b2 b0 0 0 0: 1-time conversion (no addition: same as normal conversion) 0 0 1: 2-time conversion (one addition) 0 1 0: 3-time conversion (two additions) 0 1 1: 4-time conversion (three additions) 1 0 1: 16-time conversion (15 additions). Other settings are prohibited. | R/W |
| b6 to b3 | — | Reserved | These bits are read as 0. The write value should be 0. | R/W |
| b7 | AVEE | Average Mode Enable | 0: Average mode disabled*1 1: Average mode enabled.*2 | R/W |

- Note 1. When average mode is deselected by setting the ADADC.AVEE bit to 0, set addition count to 1, 2, 3, 4 or 16-time conversion. 16-time conversion can only be used with 12-bit accuracy.
- Note 2. When average mode is selected by setting the ADADC.AVEE bit to 1, set the addition count to 2-time or 4-time conversion. Do not set the addition count to 3-time or 16-time conversion (ADC[2:0] = 010b and 101b).

ADC[2:0] bits (Count Select)

The ADC[2:0] bits set the addition count for all channels for which A/D conversion and addition/average mode are selected, including the channels selected in double trigger mode in the ADCSR.DBLANS[4:0] bits. The count also applies to A/D conversion of the temperature sensor output and internal reference voltage.

The following restrictions apply to the setting of the ADC[2:0] bits:

- When average mode is selected by setting the ADADC.AVEE bit to 1, do not set the addition count to 3-time conversion (ADADC.ADC[2:0] = 010b). The combination of the addition count 16-time conversion (ADADC.ADC[2:0] = 101b) with the conversion accuracy 14 bits (ADCER.ADPRC[1:0] = 11b) is prohibited setting, as described in section 35.2.1.
- When self-diagnosis is executed (ADCER.DIAGM = 1), do not set the ADC[2:0] bits to any value other than 000b.
- When the conversion accuracy 14 bits (ADCER.ADPRC[1:0] = 11b), do not set the ADC[2:0] bits to 101b.

Only set the ADC[2:0] bits when the ADCSR.ADST bit is 0.

AVEE bit (Average Mode Enable)

The AVEE bit selects addition or average mode for A/D conversion of the channels for which A/D conversion and A/D-converted value addition/average mode are selected, including the channels selected in double trigger mode in the ADCSR.DBLANS[4:0] bits, the temperature sensor output, and the internal reference voltage. When average mode is selected by setting the ADADC.AVEE bit to 1, do not set the addition count to 3-time conversion (ADADC.ADC[2:0] = 010b).

Only set the AVEE bits while the ADCSR.ADST bit is 0.

35.2.11 A/D Control Extended Register (ADCER)

Address(es): ADC140.ADCER 4005 C00Eh

| | | | | | | | | | | | | | | | |
|--------------------|-----|-----|-----|-------|--------|--------------|----|----|-----|----|----|------------|----|----|----|
| b15 | b14 | b13 | b12 | b11 | b10 | b9 | b8 | b7 | b6 | b5 | b4 | b3 | b2 | b1 | b0 |
| ADRFMT | — | — | — | DIAGM | DIAGLD | DIAGVAL[1:0] | — | — | ACE | — | — | ADPRC[1:0] | — | — | — |
| Value after reset: | 0 | 0 | 0 | 0 | 0 | 0 | 0 | 0 | 0 | 0 | 0 | 0 | 0 | 0 | 0 |

| Bit | Symbol | Bit name | Description | R/W |
|------------|--------------|---------------------------------------------|--------------------------------------------------------------------------------------------------------------------------------------------------------------------------------------------------------------|-----|
| b0 | — | Reserved | This bit is read as 0. The write value should be 0. | R/W |
| b2, b1 | ADPRC[1:0] | A/D Conversion Accuracy Specify | b2 b1 0 0: 12-bit accuracy 0 1: Setting prohibited 1 0: Setting prohibited 1 1: 14-bit accuracy. | R/W |
| b4, b3 | — | Reserved | These bits are read as 0. The write value should be 0. | R/W |
| b5 | ACE | A/D Data Register Automatic Clearing Enable | 0: Automatic clearing disabled 1: Automatic clearing enabled. | R/W |
| b7, b6 | — | Reserved | These bits are read as 0. The write value should be 0. | R/W |
| b9, b8 | DIAGVAL[1:0] | Self-Diagnosis Conversion Voltage Select | b9 b8 0 0: Setting prohibited when self-diagnosis is enabled 0 1: Select 0 V for self-diagnosis 1 0: Select reference power supply*1 × 1/2 voltage 1 1: Select reference power supply*1 voltage. | R/W |
| b10 | DIAGLD | Self-Diagnosis Mode Select | 0: Rotation mode for self-diagnosis voltage selected 1: Fixed mode for self-diagnosis voltage selected. | R/W |
| b11 | DIAGM | Self-Diagnosis Enable | 0: ADC14 self-diagnosis disabled 1: ADC14 self-diagnosis enabled. | R/W |
| b14 to b12 | — | Reserved | These bits are read as 0. The write value should be 0. | R/W |
| b15 | ADRFMT | A/D Data Register Format Select | 0: Flush-right for the A/D data register format selected 1: Flush-left for the A/D data register format selected. | R/W |

Note 1. Reference voltage refers to VREFH0.

ADPRC[1:0] bits (A/D Conversion Accuracy Specify)

The ADPRC[1:0] bits select the A/D conversion accuracy to 12 bits or 14 bits. Changing the A/D conversion accuracy also changes the bit width of valid data stored in the result register and the A/D conversion time.

For details, see section 35.3.6, Analog Input Sampling and Scan Conversion Time. Only set the ADPRC[1:0] bits while the ADCSR.ADST bit is 0.

ACE bit (A/D Data Register Automatic Clearing Enable)

The ACE bit enables or disables automatic clearing (all 0) of ADDRy, ADDR, ADDBLDR, ADDBLDRA, ADDBLDRB, ADTSDR, or ADOCDR after any of these registers is read by the CPU, DTC, or DMAC.

DIAGVAL[1:0] bits (Self-Diagnosis Conversion Voltage Select)

The DIAGVAL[1:0] bits select the voltage value used in self-diagnosis fixed voltage mode. For details, see the

ADCER.DIAGLD bit description.

Do not execute the self-diagnosis when the ADCER.DIAGVAL[1:0] bits are set to 00b.

DIAGLD bit (Self-Diagnosis Mode Select)

The DIAGLD bit selects whether the three voltage values are rotated, or the fixed voltage is used in self-diagnosis. Setting the ADCER.DIAGLD bit to 0 allows conversion of the voltages in rotation mode where 0 V, the reference power supply $\times 1/2$, and the reference power supply are converted in that order. After reset, when the self-diagnosis voltage rotation mode is selected, self-diagnosis is executed from 0 V.

The fixed voltage specified by the ADCER.DIAGVAL[1:0] bits is converted when self-diagnosis voltage fixed mode is selected. In self-diagnosis voltage rotation mode, the self-diagnosis voltage value does not return to 0 when scan conversion completes. When scan conversion is restarted, rotation starts at the voltage value following the previous value. If fixed mode is switched to rotation mode, rotation starts at the fixed voltage value.

Only set the DIAGLD bit while the ADCSR.ADST bit is 0.

DIAGM bit (Self-Diagnosis Enable)

The DIAGM bit enables or disables self-diagnosis.

Self-diagnosis is used to detect a failure of ADC14. In self-diagnosis mode, one of the internally generated voltage values (0 V, the reference power supply $\times 1/2$, or the reference power supply) is converted. When conversion completes, information on the converted voltage and the conversion result is stored into the Self-Diagnosis Data Register (ADRD). The ADRD register can be read out by software to determine whether the conversion result falls within the normal or abnormal range.

Self-diagnosis is executed once at the beginning of each scan, and one of the three voltages is converted. In double trigger mode (ADCSR.DBLE = 1), self-diagnosis (DIAGM = 0) is deselected. When self-diagnosis is selected in group scan mode, self-diagnosis is executed separately for group A and B. Only set the DIAGM bit when the ADCSR.ADST bit is 0.

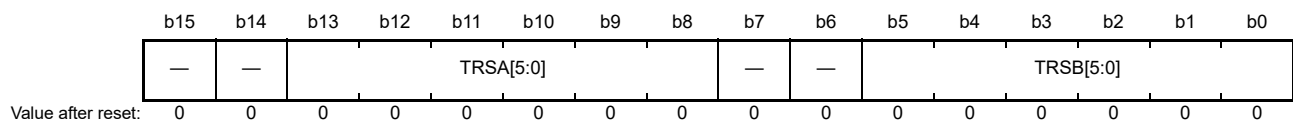
ADRFMT bit (A/D Data Register Format Select)

The ADRFMT bit specifies flush-right or flush-left for the data to be stored in ADDRy, ADDBLDR, ADDBLDRA, ADDBLDRB, ADTSDR, ADOCDR, ADCMPDR0/1, ADWINLLB, ADWINULB, or ADRD.

Only set the ADRFMT bit when the ADCSR.ADST bit is 0.

35.2.12 A/D Conversion Start Trigger Select Register (ADSTRGR)

Address(es): [ADC140.ADSTRGR 4005 C010h](#)



| Bit | Symbol | Bit name | Description | R/W |
|-----------|---------------------------|-------------------------------------------------|---------------------------------------------------------------------------------------------------------------------------------------------------------------------|-----|
| b5 to b0 | TRSB[5:0] | A/D Conversion Start Trigger Select for Group B | Select the A/D conversion start trigger for group B in group scan mode | R/W |
| b7, b6 | — | Reserved | These bits are read as 0. The write value should be 0. | R/W |
| b13 to b8 | TRSA[5:0] | A/D Conversion Start Trigger Select | Select the A/D conversion start trigger in single scan mode and continuous scan mode. In group scan mode, the A/D conversion start trigger for group A is selected. | R/W |
| b15, b14 | — | Reserved | These bits are read as 0. The write value should be 0. | R/W |

TRSB[5:0] bits (A/D Conversion Start Trigger Select for Group B)

The TRSB[5:0] bits select the trigger to start scanning of the analog input selected in group B. The TRSB[5:0] bits are only used in group scan mode, and not in any other scan mode. Software trigger or asynchronous trigger cannot be used as the scan conversion start trigger for group B. In group scan mode, set the TRSB[5:0] bits to a value other than 000000b and set the ADCSR.TRGE bit to 1.

When group A is given priority in group scan mode, setting the ADGSPCR.GBRP bit to 1 allows group B to continuously operate in single scan mode. When setting the ADGSPCR.GBRP bit to 1, set the TRSB[5:0] bits to 3Fh. The issuance period for a conversion trigger must be more than or equal to the actual scan conversion time (t_{SCAN}). If the issuance period is less than t_{SCAN} , A/D conversion by the trigger might have no effect.

When the GPT module is selected as an A/D conversion start trigger, a delay for synchronization processing occurs. For details, see [section 35.3.6, Analog Input Sampling and Scan Conversion Time](#). [Table 35.6](#) lists the A/D conversion startup sources selected in the TRSB[5:0] bits.

Table 35.6 Selection of A/D activation sources in the TRSB[5:0] bits

| Source | Remarks | TRSB[5] | TRSB[4] | TRSB[3] | TRSB[2] | TRSB[1] | TRSB[0] |
|----------------------------------|---------|---------|---------|---------|---------|---------|---------|
| Trigger source deselection state | | 1 | 1 | 1 | 1 | 1 | 1 |
| ELC_AD00 | ELC | 0 | 0 | 1 | 0 | 0 | 1 |
| ELC_AD01 | ELC | 0 | 0 | 1 | 0 | 1 | 0 |
| ELC_AD00/ELC_AD01 | ELC | 0 | 0 | 1 | 0 | 1 | 1 |

TRSA[5:0] bits (A/D Conversion Start Trigger Select)

The TRSA[5:0] bits select the trigger to start A/D conversion in single scan mode and continuous scan mode. In group scan mode, the trigger to start scanning of the analog input selected in group A is selected. When scanning is executed in group scan mode or double trigger mode, do not use a software trigger or an asynchronous trigger.

When using a synchronous trigger (ELC) as the A/D conversion start source, set the TRGE bit in ADCSR to 1 and set the EXTRG bit in ADCSR to 0.

The software trigger (ADCSR.ADST) is enabled regardless of the setting in the ADCSR.TRGE bit, the ADCSR.EXTRG bit, or the TRSA[5:0] bits. The issuance period for a conversion trigger must be more than or equal to the actual scan conversion time (t_{SCAN}). If the issuance period is less than t_{SCAN} , A/D conversion by a trigger might have no effect. For details, see [section 35.3.6, Analog Input Sampling and Scan Conversion Time](#).

[Table 35.7](#) lists the A/D conversion start sources selected in the TRSA[5:0] bits.

Table 35.7 Selection of A/D activation sources in the TRSA[5:0] bits

| Source | Remarks | TRSA[5] | TRSA[4] | TRSA[3] | TRSA[2] | TRSA[1] | TRSA[0] |
|----------------------------------|---------------------------|---------|---------|---------|---------|---------|---------|
| Trigger source deselection state | | 1 | 1 | 1 | 1 | 1 | 1 |
| ADTRG0 | Input pin for the trigger | 0 | 0 | 0 | 0 | 0 | 0 |
| ELC_AD00 | ELC | 0 | 0 | 1 | 0 | 0 | 1 |
| ELC_AD01 | ELC | 0 | 0 | 1 | 0 | 1 | 0 |
| ELC_AD00/ELC_AD01 | ELC | 0 | 0 | 1 | 0 | 1 | 1 |

35.2.13 A/D Conversion Extended Input Control Register (ADEXICR)

Address(es): ADC140.ADEXICR 4005 C012h

| | | | | | | | | | | | | | | | |
|-----|-----|-----|-----|-----|-----|------|------|----|----|----|----|----|----|-------|-------|
| b15 | b14 | b13 | b12 | b11 | b10 | b9 | b8 | b7 | b6 | b5 | b4 | b3 | b2 | b1 | b0 |
| — | — | — | — | — | — | OCSA | TSSA | — | — | — | — | — | — | OCSAD | TSSAD |
| 0 | 0 | 0 | 0 | 0 | 0 | 0 | 0 | 0 | 0 | 0 | 0 | 0 | 0 | 0 | 0 |

Value after reset:

| Bit | Symbol | Bit name | Description | R/W |
|------------|--------|-----------------------------------------------------------------------------|---------------------------------------------------------------------------------------------------------------------------------------------------------------------------|-----|
| b0 | TSSAD | Temperature Sensor Output A/D-Converted Value Addition/Average Mode Select | 0: Temperature sensor output A/D-converted value addition/average mode not selected 1: Temperature sensor output A/D-converted value addition/average mode selected. | R/W |
| b1 | OCSAD | Internal Reference Voltage A/D-Converted Value Addition/Average Mode Select | 0: Internal reference voltage A/D-converted value addition/average mode not selected 1: Internal reference voltage A/D-converted value addition/average mode selected. | R/W |
| b7 to b2 | — | Reserved | These bits are read as 0. The write value should be 0. | R/W |
| b8 | TSSA | Temperature Sensor Output A/D Conversion Select | 0: A/D conversion of temperature sensor output disabled 1: A/D conversion of temperature sensor output enabled. | R/W |
| b9 | OCSA | Internal Reference Voltage A/D Conversion Select | 0: A/D conversion of internal reference voltage disabled 1: A/D conversion of internal reference voltage enabled. | R/W |
| b15 to b10 | — | Reserved | These bits are read as 0. The write value should be 0. | R/W |

TSSAD bit (Temperature Sensor Output A/D-Converted Value Addition/Average Mode Select)

When the TSSAD bit is set to 1, A/D conversion of the temperature sensor output is selected and performed successively for the number of times specified in the ADC[2:0] bits in ADADC. The maximum addition count depends on the conversion accuracy as seen in [section 35.2.1](#). When the ADADC.AVEE bit is 0, the value obtained by addition is returned to the A/D Temperature Sensor Data Register (ADTSSDR). When the ADADC.AVEE bit is 1, the mean value is returned to ADTSSDR.

Only set the TSSAD bit while the ADCSR.ADST bit is 0.

OCSAD bit (Internal Reference Voltage A/D-Converted Value Addition/Average Mode Select)

When the OCSAD bit is set to 1, A/D conversion of the internal reference voltage is selected and performed successively for the number of times specified in the ADC[2:0] bits in ADADC. The maximum addition count depends on the conversion accuracy as seen in [section 35.2.1](#). When the ADADC.AVEE bit is 0, the value obtained by addition is returned to the A/D Internal Reference Voltage Data Register (ADOCADR). When the ADADC.AVEE bit is 1, the mean value is returned to ADOCADR.

Only set the OCSAD bit while the ADCSR.ADST bit is 0.

TSSA bit (Temperature Sensor Output A/D Conversion Select)

The TSSA bit selects A/D conversion of the temperature sensor output.

When executing the A/D conversion:

- Set all the bits in the ADANSA0/1, ADANSB0/1 registers, the ADCSR.DBLE and ADEXICR.OCSA bits to 0
- Execute A/D conversion in single scan mode.

When executing the A/D conversion of the temperature sensor output, the ADDISCR register is set to 0Fh and the ADC14 executes discharge (15 ADCLK) before executing sampling. The minimum sampling time is 5 μ s. The ADC14 executes discharge each time it executes A/D conversion of the temperature sensor output.

Only set the TSSA bit when the ADCSR.ADST bit is 0.

OCSA bit (Internal Reference Voltage A/D Conversion Select)

The OCSA bit selects A/D conversion of the internal reference voltage.

When executing the A/D conversion:

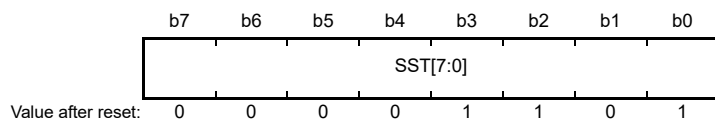
1. Set all the bits in the ADANSA0/1 and ADANSB0/1 registers, the ADCSR.DBLE and ADEXICR.TSSA bits to 0.
2. Execute A/D conversion in single scan mode.

When executing the A/D conversion of the internal reference voltage, the ADDISCR register is set to 0Fh and the ADC14 executes discharge (15 ADCLK) before executing sampling. The minimum sampling time is 5 μ s. The ADC14 executes discharge each time it executes A/D conversion of the internal reference voltage.

Only set the OCSA bit while the ADCSR.ADST bit is 0.

35.2.14 A/D Sampling State Register n (ADSSTRn) (n = 00 to 14, L, T, O)

Address(es): [ADC140.ADSSTR00 4005 C0E0h](#) to [ADC140.ADSSTR14 4005 C0EEh](#),
[ADC140.ADSSTRL 4005 C0DDh](#), [ADC140.ADSSTRT 4005 C0DEh](#), [ADC140.ADSSTRO 4005 C0DFh](#)



| Bit | Symbol | Bit name | Description | R/W |
|----------|----------|-----------------------|--------------------------------------------------------------------|-----|
| b7 to b0 | SST[7:0] | Sampling Time Setting | These bits set the sampling time in the range from 5 to 255 states | R/W |

The ADSSTRn register sets the sampling time for analog input. If one state is 1 ADCLK (A/D conversion clock) cycle and the ADCLK clock is 64 MHz, then one state is 15.625 ns. The initial value is 13 states.

The sampling time can be adjusted if the impedance of the analog input signal source is too high to secure sufficient sampling time, or if the ADCLK clock is slow.

The SST[7:0] bits should be set while the ADCSR.ADST bit is 0. The lower limit of the sampling time setting depends on the frequency ratio, as follows:

- If frequency ratio of PCLKB to PCLKC (ADCLK) = 1:1, 2:1, 4:1, or 8:1, the sampling time must be set to a value of more than 5 states
- If frequency ratio of PCLKB to PCLKC (ADCLK) = 1:2 or 1:4, the sampling time must be set to a value of more than 6 states.

Table 35.8 shows the relationship between the A/D sampling state register and the associated channels. For details, see section 35.3.6, Analog Input Sampling and Scan Conversion Time.

Table 35.8 Relationship between A/D Sampling State Register n and associated channels (1 of 2)

| Bit name | Associated channels |
|--------------------------|---------------------|
| ADSSTR00.SST[7:0] bits*1 | AN000 |
| ADSSTR01.SST[7:0] bits | AN001 |
| ADSSTR02.SST[7:0] bits | AN002 |
| ADSSTR03.SST[7:0] bits | AN003 |
| ADSSTR04.SST[7:0] bits | AN004 |
| ADSSTR05.SST[7:0] bits | AN005 |
| ADSSTR06.SST[7:0] bits | AN006 |
| ADSSTR07.SST[7:0] bits | AN007 |
| ADSSTR08.SST[7:0] bits | AN008 |
| ADSSTR09.SST[7:0] bits | AN009 |
| ADSSTR10.SST[7:0] bits | AN010 |

Table 35.8 Relationship between A/D Sampling State Register n and associated channels (2 of 2)

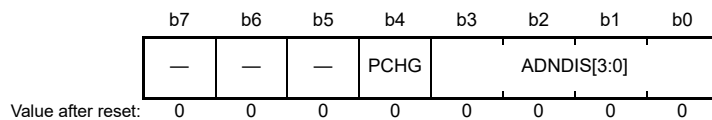
| Bit name | Associated channels |
|------------------------|------------------------------|
| ADSSTR11.SST[7:0] bits | AN011 |
| ADSSTR12.SST[7:0] bits | AN012 |
| ADSSTR13.SST[7:0] bits | AN013 |
| ADSSTR14.SST[7:0] bits | AN014 |
| ADSSTR15.SST[7:0] bits | AN015 |
| ADSSTR16.SST[7:0] bits | AN016-AN025 |
| ADSSTR17.SST[7:0] bits | Temperature sensor output*2 |
| ADSSTR18.SST[7:0] bits | Internal reference voltage*2 |

Note 1. When the self-diagnosis function is selected, the sampling time set by the ADSSTR00.SST[7:0] bits is applied to it.

Note 2. When the temperature sensor output or the internal reference voltage is converted, set the sampling time to more than 5 μ s. Because the maximum SST[7:0] value is 255 states, the ADCLK frequency must be such that the resulting sampling time is at least 5 μ s.

35.2.15 A/D Disconnection Detection Control Register (ADDISCR)

Address(es): [ADC140.ADDISCR 4005 C07Ah](#)



| Bit | Symbol | Bit name | Description | R/W |
|----------|-----------------------------|----------------------------|---------------------------------------------------------------------------------------------------------------------------------------------------------------------------------|-----|
| b3 to b0 | ADNDIS[3:0] | Precharge/Discharge period | b3 b0 0 0 0 0: The disconnection detection assist function is disabled 0 0 0 1: Setting prohibited Others: The number of states for the discharge or precharge period. | R/W |
| b4 | PCHG | Precharge/Discharge select | 0: Discharge 1: Precharge. | R/W |
| b7 to b5 | — | Reserved | These bits are read as 0. The write value should be 0. | R/W |

The ADDISCR register selects either precharge or discharge, and the period of precharge or discharge for the A/D disconnection detection assist function. Only set the ADDISCR register when the ADCSR.ADST bit is 0.

When the temperature sensor output or internal reference voltage is converted, the A/D converter executes discharge automatically. This operation is achieved by setting the ADDISCR register to 0Fh (15 ADCLK cycles) when ADEXICR.OCSA or TSSA is set to 1. After executing discharge, the A/D converter executes sampling. The required sampling time is 5 μ s or more.

If any of the following functions is used, the disconnection detection assist function must be disabled:

- Temperature sensor
- Internal reference voltage
- A/D self-diagnosis.

[ADNDIS\[3:0\] bits \(Precharge/Discharge period\)](#)

The ADNDIS[3:0] bits specify the period of precharge or discharge. When ADNDIS[3:0] = 0000b, the disconnection detection assist function is disabled. Setting the ADNDIS[3:0] bits to 0001b is prohibited. Except when ADNDIS[3:0] = 0000b or 0001b, the specified value indicates the number of states for the period of precharge or discharge. When the ADNDIS[3:0] bits are set to any values other than 0000b or 0001b, the disconnection detection assistance function is enabled.

[PCHG bit \(Precharge/Discharge select\)](#)

Setting the PCHG bit to 1 selects precharge and setting the PCHG bit to 0 selects discharge.

35.2.16 A/D Group Scan Priority Control Register (ADGSPCR)

Address(es): ADC140.ADGSPCR 4005 C080h

| | | | | | | | | | | | | | | | | |
|--------------------|------|-----|-----|-----|-----|-----|----|----|----|----|----|----|----|----|--------|-----|
| | b15 | b14 | b13 | b12 | b11 | b10 | b9 | b8 | b7 | b6 | b5 | b4 | b3 | b2 | b1 | b0 |
| | GBRP | — | — | — | — | — | — | — | — | — | — | — | — | — | GBRSCN | PGS |
| Value after reset: | 0 | 0 | 0 | 0 | 0 | 0 | 0 | 0 | 0 | 0 | 0 | 0 | 0 | 0 | 0 | 0 |

| Bit | Symbol | Bit name | Description | R/W |
|-----------|--------|----------------------------------------|----------------------------------------------------------------------------------------------------------------------------------------------------------------------------------------------------------------------------------------------------------------------|-----|
| b0 | PGS | Group A Priority Control Setting*1 | 0: Operation without group A priority control 1: Operation with group A priority control. | R/W |
| b1 | GBRSCN | Group B Restart Setting | Enabled only when PGS = 1. Reserved when PGS = 0. 0: Scanning for group B is not restarted after having been discontinued due to group A priority control 1: Scanning for group B is restarted after having been discontinued due to group A priority control. | R/W |
| b14 to b2 | — | Reserved | These bits are read as 0. The write value should be 0. | R/W |
| b15 | GBRP | Group B Single Scan Continuous Start*2 | Enabled only when PGS = 1. Reserved when PGS = 0. 0: Single scan for group B is not continuously activated 1: Single scan for group B is continuously activated with priority control. | R/W |

Note 1. When the PGS bit is to be set to 1, the ADCSR.ADCS[1:0] bits must be set to 01b (group scan mode). If these bits are set to any other values, proper operation is not guaranteed.

Note 2. When the GBRP bit is set to 1, single scan is performed continuously for group B regardless of the GBRSCN bit.

PGS bit (Group A Priority Control Setting)

Set this bit to 1 when giving priority to operation on group A.

When the PGS bit is to be set to 1, the ADCSR.ADCS[1:0] bits must be set to 01b (group scan mode). If the bits are set to any other values, proper operation is not guaranteed.

When the PGS bit is set to 0, software must perform a clear operation as described in [section 35.8.2, Notes on Stopping A/D Conversion](#). When the PGS bit is set to 1, use settings as described in [section 35.3.4.3, Operation with group A priority control](#).

GBRSCN bit (Group B Restart Setting)

The GBRSCN bit controls the restarting of scan operation on group B when operation on group A is given priority.

If a scan operation on group B is stopped by a group A trigger input with the GBRSCN bit set to 1, the scan operation is restarted on completion of group A conversion. Also, if a group B trigger is input during A/D conversion on group A, the scan operation on group B is restarted on completion of group A conversion.

When the GBRSCN bit is set to 0, triggers that are input during A/D conversion are ignored. Only set the GBRSCN bit when the ADCSR.ADST bit is 0.

The setting of the GBRSCN bit is valid when the PGS bit is 1.

GBRP bit (Group B Single Scan Continuous Start)

Set the GBRP bit to perform a single scan operation continuously on group B.

Setting the GBRP bit to 1 starts a single scan on group B. On completion of the scan, another single scan on group B is automatically started. If an A/D conversion on group B is stopped by an operation on group A, the group A operation takes priority, and single scan on group B is automatically restarted on completion of group A conversion.

Disable group B trigger input before setting the GBRP bit to 1. Setting the GBRP bit to 1 invalidates the setting of the GBRSCN bit. Only set the GBRP bit while the ADCSR.ADST is 0.

The setting of the GBRP bit is valid when the PGS bit is 1.

35.2.17 A/D Compare Function Control Register (ADCMPCR)

Address(es): ADC140.ADCMPCR 4005 C090h

| | | | | | | | | | | | | | | | |
|--------------------|--------|--------|-----|-------|-----|-------|----|----|----|----|----|----|----|------------|----|
| b15 | b14 | b13 | b12 | b11 | b10 | b9 | b8 | b7 | b6 | b5 | b4 | b3 | b2 | b1 | b0 |
| CMPAIE | WCMPPE | CMPBIE | — | CMPAE | — | CMPBE | — | — | — | — | — | — | — | CMPAB[1:0] | |
| Value after reset: | | | | | | | | | | | | | | | |
| 0 | 0 | 0 | 0 | 0 | 0 | 0 | 0 | 0 | 0 | 0 | 0 | 0 | 0 | 0 | 0 |

| Bit | Symbol | Bit name | Description | R/W |
|----------|------------|-----------------------------------------|-------------------------------------------------------------------------------------------------------------------------------------------------------------------------------------------------------------------------------------------------------------------------------------------------------------------------------------------------------------------------------------------------------------------------------------------------------------------------------------------------------|-----|
| b1, b0 | CMPAB[1:0] | Window A/B Composite Conditions Setting | b1 b0 0 0: Output ADC140_WCMPM when window A OR window B comparison conditions are met. Otherwise, output ADC140_WCMPUM. 0 1: Output ADC140_WCMPM when window A EXOR window B comparison conditions are met. Otherwise, output ADC140_WCMPUM. 1 0: Output ADC140_WCMPM when window A AND window B comparison conditions are met. Otherwise, output ADC140_WCMPUM. 1 1: Setting prohibited. These bits are valid when both window A and window B are enabled (CMPAE = 1 and CMPBE = 1). | R/W |
| b8 to b2 | — | Reserved | These bits are read as 0. The write value should be 0. | R/W |
| b9 | CMPBE | Compare Window B Operation Enable | 0: Compare window B operation disabled. ADC140_WCMPM and ADC140_WCMPUM outputs are disabled. 1: Compare window B operation enabled. | R/W |
| b10 | — | Reserved | This bit is read as 0. The write value should be 0. | R/W |
| b11 | CMPAE | Compare Window A Operation Enable | 0: Compare window A operation disabled. ADC140_WCMPM and ADC140_WCMPUM outputs are disabled. 1: Compare window A operation enabled. | R/W |
| b12 | — | Reserved | This bit is read as 0. The write value should be 0. | R/W |
| b13 | CMPBIE | Compare B Interrupt Enable | 0: ADC140_CMPBI interrupt disabled when comparison conditions (window B) are met 1: ADC140_CMPBI interrupt enabled when comparison conditions (window B) are met. | R/W |
| b14 | WCMPPE | Window Function Setting | 0: Window function disabled. Window A and window B operate as a comparator to compare the single value on the lower side with the A/D conversion result. 1: Window function enabled. Window A and window B operate as a comparator to compare the two values on the upper and lower sides with the A/D conversion result. | R/W |
| b15 | CMPAIE | Compare A Interrupt Enable | 0: ADC140_CMPAI interrupt disabled when comparison conditions (window A) are met 1: ADC140_CMPAI interrupt enabled when comparison conditions (window A) are met. | R/W |

CMPAB[1:0] bits (Window A/B Composite Conditions Setting)

The CMPAB[1:0] bits are valid when both window A and window B are enabled (CMPAE = 1 and CMPBE = 1) in single scan mode. These bits specify the compare function match/mismatch event output conditions and monitoring conditions of ADWINMON.MONCONB. Only set the CMPAB[1:0] bits when the ADCSR.ADST bit is 0.

CMPBE bit (Compare Window B Operation Enable)

The CMPBE bit enables or disables the compare window B operation. Only set the CMPBE bit when the ADCSR.ADST bit is 0.

Set this bit to 0 before setting the following registers and bits:

- A/D channel select registers A0/A1/B0/B1 (ADANSA0, ADANSA1, ADANSB0, ADANSB1)

- OCSA or TSSA bit in the A/D Conversion Extended Input Control Register (ADEXICR)
- CMPCHB[5:0] bits in the Window B Channel Select Register (ADCMPBNSR).

CMPAE bit (Compare Window A Operation Enable)

The CMPAE bit enables or disables the compare window A operation. Only set the CMPAE bit when the ADCSR.ADST bit is 0.

Set this bit to 0 before setting the following registers and bits:

- A/D Channel Select Registers A0/A1/B0/B1 (ADANSA0, ADANSA1, ADANSB0, ADANSB1)
- OCSA or TSSA bit in the A/D Conversion Extended Input Control Register (ADEXICR)
- Window A Channel Select Registers 0/1 (ADCMPANSR0, ADCMPANSR1)
- Window A Extended Input Select Register (ADCMPANSER).

CMPBIE bit (Compare B Interrupt Enable)

The CMPBIE bit enables or disables the ADC140_CMPBI interrupt output when the comparison conditions (window B) are met.

WCMPE bit (Window Function Setting)

The WCMPE bit enables or disables the window function. Only set the WCMPE bit when the ADCSR.ADST bit is 0.

CMPAIE bit (Compare A Interrupt Enable)

The CMPAIE bit enables or disables the ADC140_CMPAI interrupt output when the comparison conditions (window A) are met.

35.2.18 A/D Compare Function Window A Channel Select Register 0 (ADCMPANSR0)

Address(es): [ADC140.ADCMPANSR0 4005 C094h](#)

| | b15 | b14 | b13 | b12 | b11 | b10 | b9 | b8 | b7 | b6 | b5 | b4 | b3 | b2 | b1 | b0 |
|--------------------|-----|----------|----------|----------|----------|----------|----------|----------|----------|----------|----------|----------|----------|----------|----------|----------|
| Value after reset: | — | 0 | 0 | 0 | 0 | 0 | 0 | 0 | 0 | 0 | 0 | 0 | 0 | 0 | 0 | 0 |
| | | CMPCHA14 | CMPCHA13 | CMPCHA12 | CMPCHA11 | CMPCHA10 | CMPCHA09 | CMPCHA08 | CMPCHA07 | CMPCHA06 | CMPCHA05 | CMPCHA04 | CMPCHA03 | CMPCHA02 | CMPCHA01 | CMPCHA00 |

| Bit | Symbol | Bit name | Description | R/W |
|-----------|-------------------------|------------------------------------|-----------------------------------------------------------------------------------------------------------------------------------------------------------------------------------------------------------------------------------|-----|
| b14 to b0 | CMPCHA14 to CMPCHA00 | Compare Window A Channel Select | 0: Compare function disabled for the associated input channel. 1: Compare function enabled for the associated input channel. Bit [14] (CMPCHA14) corresponds to AN014 and bit [0] (CMPCHA00) corresponds to AN000. | R/W |
| b15 | — | Reserved | This bit is read as 0. The write value should be 0. | R/W |

CMPCHAN bits (n = 00 to 14) (Compare Window A Channel Select)

The compare function is enabled by writing 1 to the CMPCHAN bit with the same number as the A/D conversion channel selected in the ADANSA0.ANSAn bits (n = 00 to 14) and the ADANSB0.ANSBn bits (n = 00 to 14).

Only set the CMPCHAN bits when the ADCSR.ADST bit is 0.

35.2.19 A/D Compare Function Window A Channel Select Register 1 (ADCOMPANSR1)

Address(es): ADC140.ADCMPANSR1 4005 C096h

| | | | | | | | | | | | | | | | |
|--------------------|-----|-----|-----|-----|-----|--------------|--------------|--------------|--------------|--------------|--------------|--------------|--------------|--------------|--------------|
| b15 | b14 | b13 | b12 | b11 | b10 | b9 | b8 | b7 | b6 | b5 | b4 | b3 | b2 | b1 | b0 |
| — | — | — | — | — | — | CMPC HA25 | CMPC HA24 | CMPC HA23 | CMPC HA22 | CMPC HA21 | CMPC HA20 | CMPC HA19 | CMPC HA18 | CMPC HA17 | CMPC HA16 |
| Value after reset: | 0 | 0 | 0 | 0 | 0 | 0 | 0 | 0 | 0 | 0 | 0 | 0 | 0 | 0 | 0 |

| Bit | Symbol | Bit name | Description | R/W |
|------------|-----------------------|------------------------------------|-------------------------------------------------------------------------------------------------------------------------------------------------------------------------------------------------------------------------|-----|
| b9 to b0 | CMPCA25 to CMPCA16 | Compare Window A Channel Select | 0: Compare function disabled for the associated input channel 1: Compare function enabled for the associated input channel. Bit [9] (CMPCA25) corresponds to AN025 and bit [0] (CMPCA16) corresponds to AN016. | R/W |
| b15 to b10 | — | Reserved | These bits are read as 0. The write value should be 0. | R/W |

CMPCHA_n bits (n = 16 to 25) (Compare Window A Channel Select)

The compare function is enabled by writing 1 to the CMPCHA_n bit with the same number as the A/D conversion channel selected in the ADANSA1.ANSA_n bits (n = 16 to 25) and the ADANSB1.ANSB_n bits (n = 16 to 25).

Only set the CMPCHA_n bits when the ADCSR.ADST bit is 0.

35.2.20 A/D Compare Function Window A Extended Input Select Register (ADCOMPANSER)

Address(es): ADC140.ADCMPANSER 4005 C092h

| | | | | | | | |
|--------------------|----|----|----|----|----|------------|------------|
| b7 | b6 | b5 | b4 | b3 | b2 | b1 | b0 |
| — | — | — | — | — | — | CMPO CA | CMPTS A |
| Value after reset: | 0 | 0 | 0 | 0 | 0 | 0 | 0 |

| Bit | Symbol | Bit name | Description | R/W |
|----------|--------|----------------------------------------------|---------------------------------------------------------------------------------------------------------------------------------------------------------------------------|-----|
| b0 | CMPTSA | Temperature Sensor Output Compare Select | 0: Exclude the temperature sensor output from the compare window A target range 1: Include the temperature sensor output in the compare window A target range. | R/W |
| b1 | CMPOCA | Internal Reference Voltage Compare Select | 0: Exclude the internal reference voltage from the compare window A target range 1: Include the internal reference voltage in the compare window A target range. | R/W |
| b7 to b2 | — | Reserved | These bits are read as 0. The write value should be 0. | R/W |

CMPTSA bit (Temperature Sensor Output Compare Select)

The compare window A function is enabled by setting the CMPTSA bit to 1 when the ADEXICR.TSSA bit is 1. Only set the CMPTSA bit when the ADCSR.ADST bit is 0.

CMPOCA bit (Internal Reference Voltage Compare Select)

The compare window A function is enabled by setting the CMPOCA bit to 1 when the ADEXICR.OCSA bit is 1. Only set the CMPOCA bit when the ADCSR.ADST bit is 0.

35.2.21 A/D Compare Function Window A Comparison Condition Setting Register 0 (ADCMPLR0)

Address(es): ADC140.ADCMPLR0 4005 C098h

| | b15 | b14 | b13 | b12 | b11 | b10 | b9 | b8 | b7 | b6 | b5 | b4 | b3 | b2 | b1 | b0 |
|--------------------|-----|-----------|-----------|-----------|-----------|-----------|-----------|-----------|-----------|-----------|-----------|-----------|-----------|-----------|-----------|-----------|
| | — | CMPLCHA14 | CMPLCHA13 | CMPLCHA12 | CMPLCHA11 | CMPLCHA10 | CMPLCHA09 | CMPLCHA08 | CMPLCHA07 | CMPLCHA06 | CMPLCHA05 | CMPLCHA04 | CMPLCHA03 | CMPLCHA02 | CMPLCHA01 | CMPLCHA00 |
| Value after reset: | 0 | 0 | 0 | 0 | 0 | 0 | 0 | 0 | 0 | 0 | 0 | 0 | 0 | 0 | 0 | 0 |

| Bit | Symbol | Bit name | Description | R/W |
|-----------|------------------------|----------------------------------------------|----------------------------------------------------------------------------------------------------------------------------------------------------------------------------------------------------------------------------------------------------------------------------------------------------------------------------------------------------------------------------------------------------------------------------------------------------------------------------------------------------------------------------------------------------------------------------------------------------------------------------------------------------|-----|
| b15 to b0 | CMPLCHA14 to CMPLCHA00 | Compare Window A Comparison Condition Select | <p>These bits set comparison conditions for channels AN000 to AN014 to which window A comparison conditions are applied. Comparison conditions are shown in Figure 35.3.</p> <p>When the window function is disabled (ADCMPCR.WCMPE bit = 0): 0: ADCMPDR0 value > A/D-converted value 1: ADCMPDR0 value < A/D-converted value.</p> <p>When the window function is enabled (ADCMPCR.WCMPE bit = 1): 0: (A/D-converted value < ADCMPDR0 value) or (ADCMPDR1 value < A/D-converted value) 1: ADCMPDR0 value < A/D-converted value < ADCMPDR1 value.</p> | R/W |
| b15 | — | Reserved | This bit is read as 0. The write value should be 0. | R/W |

CMPLCHAn bits (n = 00 to 14) (Compare Window A Comparison Condition Select)

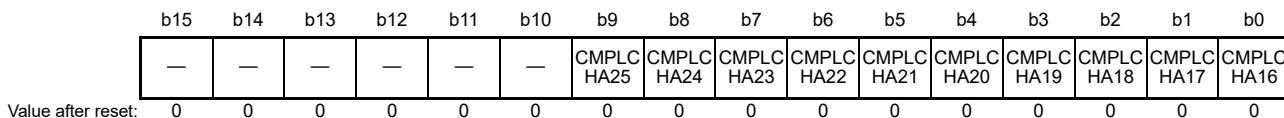
These bits set comparison conditions of channels AN000 to AN014 to which window A comparison conditions are applied. These bits can be set for each analog input to be compared. CMPLCHA00, CMPLCHA07, and CMPLCHA14 correspond to AN000, AN007, and AN014, respectively. When the comparison result of each analog input meets the set condition, the ADCMPDR0.CMPSTCHAn bit is set to 1 and a compare interrupt (ADC140_CMPAI) is generated.

| Comparison conditions when the window function is disabled | |
|-----------------------------------------------------------------|---------|
| C MPLCHAN = 0 | |
| ADCMPDR0 value \leq A/D converted value | Not met |
| ADCMPDR0 value $>$ A/D converted value | Met |
| C MPLCHAN = 1 | |
| ADCMPDR0 value $<$ A/D converted value | Met |
| ADCMPDR0 value \geq A/D converted value | Not met |
| Comparison conditions when the window function is enabled | |
| C MPLCHAN = 0 | |
| ADCMPDR1 value $<$ A/D converted value | Met |
| ADCMPDR0 value \leq A/D converted value \leq ADCMPDR1 value | Not met |
| A/D converted value $<$ ADCMPDR0 value | Met |
| C MPLCHAN = 1 | |
| ADCMPDR1 value \leq A/D converted value | Not met |
| ADCMPDR0 value $<$ A/D converted value $<$ ADCMPDR1 value | Met |
| A/D converted value \leq ADCMPDR0 value | Not met |

Figure 35.3 Comparison conditions for compare function window A

35.2.22 A/D Compare Function Window A Comparison Condition Setting Register 1 (ADCMPLR1)

Address(es): ADC140.ADCMPLR1 4005 C09Ah



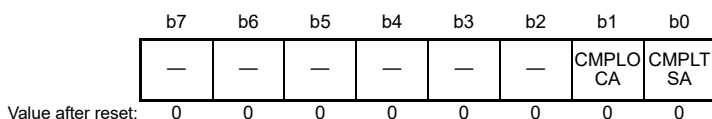
| Bit | Symbol | Bit name | Description | R/W |
|------------|---------------------------|----------------------------------------------------|----------------------------------------------------------------------------------------------------------------------------------------------------------------------------------------------------------------------------------------------------------------------------------------------------------------------------------------------------------------------------------------------------------------------------------------------------------------------------------------------------------------------------------------------------------------------------------------------------------------------------------------------------------------------------------------------------------------------------------------------------------------------------------------------------------------|-----|
| b9 to b0 | CMPLCHA25 to CMPLCHA16 | Compare Window A Comparison Condition Select | These bits set comparison conditions of channels AN016 to AN025 to which window A comparison conditions are applied. Comparison conditions are shown in Figure 35.3 . <ul style="list-style-type: none"> • When the window function is disabled (ADCMPPCR.WCMPE bit = 0): <ul style="list-style-type: none"> 0: ADCMPDR0 value > A/D-converted value 1: ADCMPDR0 value < A/D-converted value. • When the window function is enabled (ADCMPPCR.WCMPE bit = 1): <ul style="list-style-type: none"> 0: A/D-converted value < ADCMPDR0 value or ADCMPDR1 value < A/D-converted value 1: ADCMPDR0 value < A/D-converted value < ADCMPDR1 value. | R/W |
| b15 to b10 | — | Reserved | These bits are read as 0. The write value should be 0. | R/W |

CMPLCHAn bits (n = 16 to 25) (Compare Window A Comparison Condition Select)

These bits set comparison conditions of channels AN016 to AN025 to which window A comparison conditions are applied. These bits can be set for each analog input to be compared. CMPLCHA16, CMPLCHA23, and CMPLCHA25 correspond to AN016, AN023, and AN025, respectively. When the comparison result of each analog input meets the set condition, the ADCMPSR1.CMPSTCHAn bit is set to 1 and a compare interrupt (ADC140_CMPAI) is generated.

35.2.23 A/D Compare Function Window A Extended Input Comparison Condition Setting Register (ADCMPLER)

Address(es): ADC140.ADCMPLER 4005 C093h



| Bit | Symbol | Bit name | Description | R/W |
|-----|---------|---------------------------------------------------------------------------------|-----------------------------------------------------------------------------------------------------------------------------------------------------------------------------------------------------------------------------------------------------------------------------------------------------------------------------------------------------------------------------------------------------------------------------------------------------------------------------------------------------------------------------------------------------------------------------------------------------------------------------------------------------------------------------------------------|-----|
| b0 | CMPLTSA | Compare Window A Temperature Sensor Output Comparison Condition Select | Comparison conditions are shown in Figure 35.3 . <ul style="list-style-type: none"> • When the window A function is disabled (ADCMPPCR.WCMPE bit = 0): <ul style="list-style-type: none"> 0: ADCMPDR0 value > A/D-converted value 1: ADCMPDR0 value < A/D-converted value. • When the window A function is enabled (ADCMPPCR.WCMPE bit = 1): <ul style="list-style-type: none"> 0: A/D-converted value < ADCMPDR0 value or A/D-converted value > ADCMPDR1 value 1: ADCMPDR0 value < A/D-converted value < ADCMPDR1 value. | R/W |

| Bit | Symbol | Bit name | Description | R/W |
|----------|---------|-------------------------------------------------------------------------|-----------------------------------------------------------------------------------------------------------------------------------------------------------------------------------------------------------------------------------------------------------------------------------------------------------------------------------------------------------------------------------------------------------------------------------------------------------------------------------------------------------------------------------------------------------------------------------------------------------------------------------------------------------------------------------------------------------------------------------------------|-----|
| b1 | CMPLOCA | Compare Window A Internal Reference Voltage Comparison Condition Select | Comparison conditions are shown in Figure 35.3 . <ul style="list-style-type: none"> When the window A function is disabled (ADCMPCR.WCMPE bit = 0): <ul style="list-style-type: none"> 0: ADCMPDR0 register value > A/D-converted value 1: ADCMPDR0 register value < A/D-converted value. When the window A function is enabled (ADCMPCR.WCMPE bit = 1): <ul style="list-style-type: none"> 0: A/D-converted value < ADCMPDR0 register value or A/D-converted value > ADCMPDR1 register value 1: ADCMPDR0 register value < A/D-converted value < ADCMPDR1 register value. | R/W |
| b7 to b2 | — | Reserved | These bits are read as 0. The write value should be 0. | R/W |

CMPLTSA bit (Compare Window A Temperature Sensor Output Comparison Condition Select)

The CMPLTSA bit specifies comparison conditions when the temperature sensor output is the target of the window A comparison condition. When the temperature sensor output comparison result meets the set condition, the ADCMPSER.CMPSTTSA flag is set to 1 and a compare interrupt (ADC140_CMPAI) is generated.

CMPLOCA bit (Compare Window A Internal Reference Voltage Comparison Condition Select)

The CMPLOCA bit specifies comparison conditions when the internal reference voltage is the target of the window A comparison condition. When the internal reference voltage comparison result meets the set condition, the ADCMPSER.CMPSTOCA flag is set to 1 and a compare interrupt (ADC140_CMPAI) is generated.

35.2.24 A/D Compare Function Window A Lower-Side Level Setting Register (ADCMPDR0), A/D Compare Function Window A Upper-Side Level Setting Register (ADCMPDR1), A/D Compare Function Window B Lower-Side Level Setting Register (ADWINLLB), A/D Compare Function Window B Upper-Side Level Setting Register (ADWINULB)

Address(es): [ADC140.ADCMPDR0 4005 C09Ch](#), [ADC140.ADCMPDR1 4005 C09Eh](#), [ADC140.ADWINLLB 4005 C0A8h](#), [ADC140.ADWINULB 4005 C0AAh](#)



| Bit | Symbol | Bit name | Description | R/W |
|-----------|--------|----------|-----------------|-----|
| b15 to b0 | — | — | Reference value | R/W |

The ADCMPDR_y (y = 0, 1) register specifies the reference data when the compare window A function is used. ADCMPDR0 sets the lower reference for window A, and ADCMPDR1 sets the upper reference for window A.

The ADWINULB and ADWINLLB registers specify the reference data when the compare window B function is used. ADWINLLB register sets the lower reference for window B, and ADWINULB sets the upper reference for window B.

ADCMPDR_y, ADWINULB, and ADWINLLB are read/write registers.

ADCMPDR_y, ADWINULB, and ADWINLLB are writable even during A/D conversion. The reference data can be dynamically modified by rewriting register values during A/D conversion.*1

Set these registers so that the upper reference is not less than the lower reference (ADCMPDR1 ≥ ADCMPDR0, ADWINULB ≥ ADWINLLB). ADCMPDR1 and ADWINULB are not used when the window function is disabled.

Note 1. The lower and upper reference values are changed when each register is written. For example, when the upper reference value and the lower reference value are changed, the MCU compares the upper reference (after rewrite), and the lower reference (before rewrite) with the A/D conversion result. See [Figure 35.4](#). If the comparison during the rewriting of these two references is erroneous, then rewrite these reference values when

both ADCSR.ADST and the associated compare window operation enable bit (ADCMPCR.CMPAE or ADCMPCR.CMPBE) are 0.

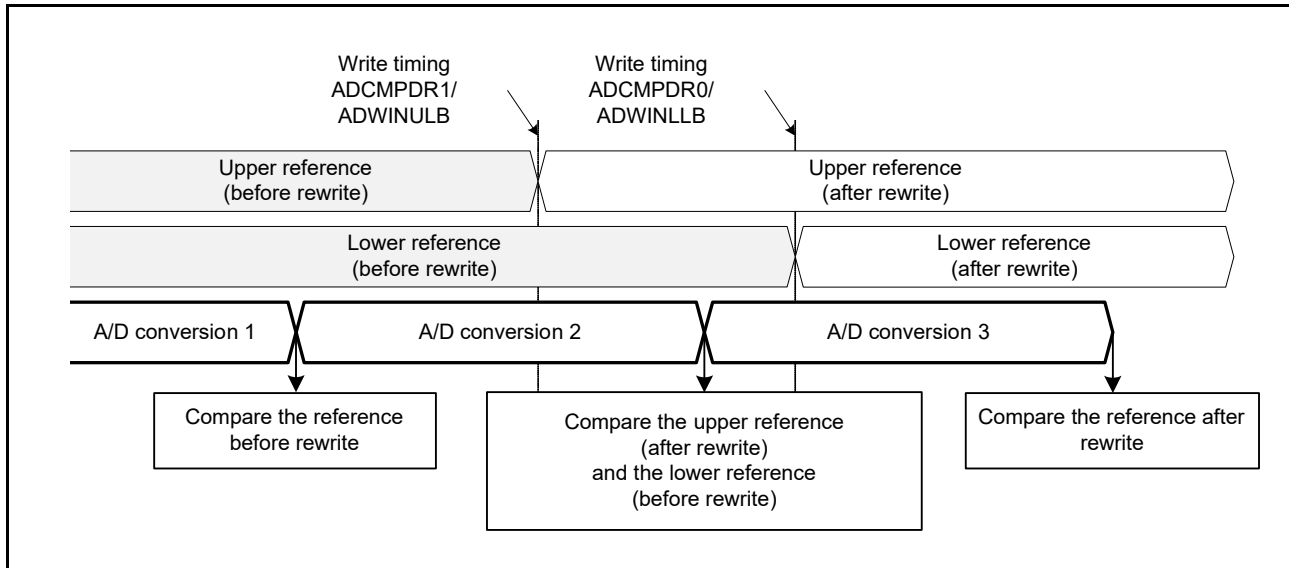


Figure 35.4 Comparison between upper reference and lower reference before and after a rewrite

The ADCMPDRy, ADWINLLB, and ADWINULB registers use different formats depending on the following conditions:

- The value in the A/D Data Register Format Select bit (right-justified or left-justified)
- The value in the A/D-Conversion Accuracy Specification bit (14-bit or 12-bit)
- The value in the A/D-Converted Value Addition/Average Channel Select Register (A/D-converted value addition mode selected or not selected).

The data formats for each given condition are as follows:

(1) When A/D-converted value addition mode is not selected

- Right-justified data with 14-bit accuracy: Lower 14 bits (b13 to b0) are valid
- Right-justified data with 12-bit accuracy: Lower 12 bits (b11 to b0) are valid
- Left-justified data with 14-bit accuracy: Upper 14 bits (b15 to b2) are valid
- Left-justified data with 12-bit accuracy: Upper 12 bit (b15 to b4) are valid.

(2) When A/D-converted value addition mode is selected

- Right-justified data with 14-bit accuracy: All bits (b15 to b0) are valid
- Right-justified data with 12-bit accuracy: Lower 14 bits (b13 to b0) are valid
- Left-justified data with 14-bit accuracy: All bits (b15 to b0) are valid
- Left-justified data with 12-bit accuracy: Upper 14 bits (b15 to b2) are valid.

35.2.25 A/D Compare Function Window A Channel Status Register 0 (ADCMPSR0)

Address(es): ADC140.ADCMPSR0 4005 C0A0h

| | | | | | | | | | | | | | | | | |
|--------------------|-----|----------------|----------------|----------------|----------------|----------------|----------------|----------------|----------------|----------------|----------------|----------------|----------------|----------------|----------------|----------------|
| | b15 | b14 | b13 | b12 | b11 | b10 | b9 | b8 | b7 | b6 | b5 | b4 | b3 | b2 | b1 | b0 |
| | — | CMPST CHA14 | CMPST CHA13 | CMPST CHA12 | CMPST CHA11 | CMPST CHA10 | CMPST CHA09 | CMPST CHA08 | CMPST CHA07 | CMPST CHA06 | CMPST CHA05 | CMPST CHA04 | CMPST CHA03 | CMPST CHA02 | CMPST CHA01 | CMPST CHA00 |
| Value after reset: | 0 | 0 | 0 | 0 | 0 | 0 | 0 | 0 | 0 | 0 | 0 | 0 | 0 | 0 | 0 | 0 |

| Bit | Symbol | Bit name | Description | R/W |
|-----------|-----------------------------|-----------------------|---------------------------------------------------------------------------------------------------------------------------------------------------------------------------------------------------------------------------------------------------------|-----|
| b14 to b0 | CMPSTCHA14 to CMPSTCHA00 | Compare Window A Flag | When window A operation is enabled (ADCMPCR.CMPAE = 1b), these bits indicate the comparison result of channels AN000 to AN014 to which window A comparison conditions are applied: 0: Comparison conditions not met 1: Comparison conditions met. | R/W |
| b15 | — | Reserved | This bit is read as 0. The write value should be 0. | R/W |

CMPSTCHAN bits (n = 00 to 14) (Compare Window A Flag)

The CMPSTCHAN bits are comparison result status flags of channels AN000 to AN014 to which window A comparison conditions are applied. When the comparison condition set by ADCMPLR0.CMPLCHAN is met at the end of A/D conversion, the corresponding bit is set to 1. When the ADCMPCR.CMPAIE bit is 1, a compare interrupt (ADC140_CMPAI) request is generated when this bit is set to 1. CMPSTCHA00, CMPSTCHA07, and CMPSTCHA14 correspond to AN000, AN007, and AN014, respectively.

Writing 1 to the CMPSTCHAN bits is invalid.

[Setting condition]

- The condition set by ADCMPLR0.CMPLCHAN is met when ADCMPCR.CMPAE = 1.

[Clearing condition]

- Writing 0 after reading 1.

35.2.26 A/D Compare Function Window A Channel Status Register 1 (ADCMPSR1)

Address(es): ADC140.ADCMPSR1 4005 C0A2h

| | | | | | | | | | | | | | | | | |
|--------------------|-----|-----|-----|-----|-----|-----|----------------|----------------|----------------|----------------|----------------|----------------|----------------|----------------|----------------|----------------|
| | b15 | b14 | b13 | b12 | b11 | b10 | b9 | b8 | b7 | b6 | b5 | b4 | b3 | b2 | b1 | b0 |
| | — | — | — | — | — | — | CMPST CHA25 | CMPST CHA24 | CMPST CHA23 | CMPST CHA22 | CMPST CHA21 | CMPST CHA20 | CMPST CHA19 | CMPST CHA18 | CMPST CHA17 | CMPST CHA16 |
| Value after reset: | 0 | 0 | 0 | 0 | 0 | 0 | 0 | 0 | 0 | 0 | 0 | 0 | 0 | 0 | 0 | 0 |

| Bit | Symbol | Bit name | Description | R/W |
|------------|-----------------------------|-----------------------|--------------------------------------------------------------------------------------------------------------------------------------------------------------------------------------------------------------------------------------------------------|-----|
| b9 to b0 | CMPSTCHA25 to CMPSTCHA16 | Compare Window A Flag | When window A operation is enabled (ADCMPCR.CMPAE = 1), these bits indicate the comparison result of channels AN016 to AN025 to which window A comparison conditions are applied: 0: Comparison conditions not met 1: Comparison conditions met. | R/W |
| b15 to b10 | — | Reserved | These bits are read as 0. The write value should be 0. | R/W |

CMPSTCHAN bits (n = 16 to 25) (Compare Window A Flag)

The CMPSTCHAN bits are the comparison result status flags for channels AN016 to AN025 to which window A comparison conditions are applied. When the comparison condition set in ADCMPLR1.CMPLCHAN is met at the end of A/D conversion, the associated bit is set to 1. When the ADCMPCR.CMPAIE bit is 1, a compare interrupt (ADC140_CMPAI) request is generated when this flag is set to 1. CMPSTCHA16, CMPSTCHA20, CMPSTCHA25 correspond to AN016, AN020, and AN025, respectively.

Writing 1 to the CMPSTCHAN bits is invalid.

[Setting condition]

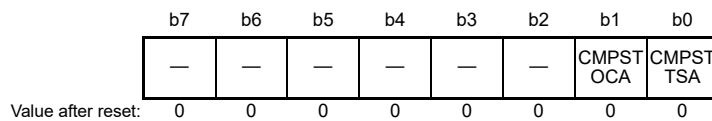
- The condition set in ADCMPLR1.CMPLCHAN is met when ADCMPCR.CMPAE = 1.

[Clearing condition]

- Writing 0 after reading 1.

35.2.27 A/D Compare Function Window A Extended Input Channel Status Register (ADCMPSER)

Address(es): ADC140.ADCMPSER 4005 C0A4h



| Bit | Symbol | Bit name | Description | R/W |
|----------|----------|----------------------------------------------------------|---------------------------------------------------------------------------------------------------------------------------------------------------------------------------------------------------|-----|
| b0 | CMPSTTSA | Compare Window A Temperature Sensor Output Compare Flag | When window A operation is enabled (ADCMPCR.CMPAE = 1), this bit indicates the temperature sensor output comparison result: 0: Comparison conditions not met 1: Comparison conditions met. | R/W |
| b1 | CMPSTOCA | Compare Window A Internal Reference Voltage Compare Flag | When window A operation is enabled (ADCMPCR.CMPAE = 1), this bit indicates the internal reference voltage comparison result: 0: Comparison conditions not met 1: Comparison conditions met. | R/W |
| b7 to b2 | — | Reserved | These bits are read as 0. The write value should be 0. | R/W |

CMPSTTSA bit (Compare Window A Temperature Sensor Output Compare Flag)

The CMPSTTSA bit indicates the temperature sensor output comparison result. When the comparison condition set in ADCMPLER.CMPLTSA is met at the end of A/D conversion, this bit is set to 1. When the ADCMPCR.CMPAIE bit is 1, a compare interrupt (ADC140_CMPAI) request is generated when this bit is set to 1.

Writing 1 to the CMPSTTSA bit is disabled.

[Setting condition]

- The condition set in ADCMPLER.CMPLTSA is met when ADCMPCR.CMPAE = 1.

[Clearing condition]

- Writing 0 after reading 1.

CMPSTOCA bit (Compare Window A Internal Reference Voltage Compare Flag)

The CMPSTOCA bit indicates the internal reference voltage comparison result. When the comparison condition set in ADCMPLER.CMPLOCA is met at the end of A/D conversion, this bit is set to 1. When the ADCMPCR.CMPAIE bit is 1, a compare interrupt (ADC140_CMPAI) request is generated when this bit is set to 1.

Writing 1 to the CMPSTOCA bit is disabled.

[Setting condition]

- The condition set in ADCMPLER.CMPLOCA is met when ADCMPCR.CMPAE = 1.

[Clearing condition]

- Writing 0 after reading 1.

35.2.28 A/D Compare Function Window B Channel Select Register (ADCMPBNSR)

Address(es): ADC140.ADCMPBNSR 4005 C0A6h



| Bit | Symbol | Bit name | Description | R/W |
|----------|--------------------|-----------------------------------------------|--------------------------------------------------------------------------------------------------------------------------------------------------------------------------------------------------------------------------------------------------------------------------------------------------------------------------------------------------------------------------------------------------------------------------------------------------------------------------------------------------------------------|-----|
| b5 to b0 | CMPCHB[5:0] | Compare Window B Channel Select | These bits select channels to be compared with the compare window B conditions: B conditions: b5 b0 0 0 0 0 0 0: AN000 0 0 0 0 0 1: AN001 0 0 0 0 1 0: AN002 ⋮ 0 0 1 1 1 0: AN014 0 0 1 1 1 1: Not select 0 1 0 0 0 0: AN016 ⋮ 0 1 1 0 0 1: AN025 0 1 1 0 1 0: Not select 0 1 1 0 1 1: Not select 1 0 0 0 0 0: Temperature sensor 1 0 0 0 0 1: Internal reference voltage 1 1 1 1 1 1: Not select. Other settings are prohibited. | R/W |
| b6 | — | Reserved | This bit is read as 0. The write value should be 0. | R/W |
| b7 | CMPLB | Compare Window B Comparison Condition Setting | This bit sets comparison conditions of channels for window B. The comparison conditions are shown in Figure 35.5 . When the window function is disabled (ADCMPCR.WCMPE bit = 0): 0: ADWINLLB value > A/D-converted value 1: ADWINLLB value < A/D-converted value. When the window function is enabled (ADCMPCR.WCMPE bit = 1): 0: (A/D-converted value < ADWINLLB value) or (ADWINULB value < A/D-converted value) 1: ADWINLLB value < A/D-converted value < ADWINULB value. | R/W |

CMPCHB[5:0] bits (Compare Window B Channel Select)

The CMPCHB[5:0] bits select channels to be compared with the compare window B conditions from AN000 to AN014, AN016 to AN025, the temperature sensor, and the internal reference voltage. The compare window B function is enabled by specifying the hexadecimal number of the A/D conversion channel selected in the following bits:

- ADANSA0.ANSAn bits (n = 0 to 14)
- ADANSA1.ANSAn bits (n = 16 to 25)
- ADANSB0.ANSBn bits (n = 0 to 14)
- ADANSB1.ANSBn bits (n = 16 to 25).

Set CMPCHB[5:0] bits when the ADCSR.ADST bit is 0.

CMPLB bit (Compare Window B Comparison Condition Setting)

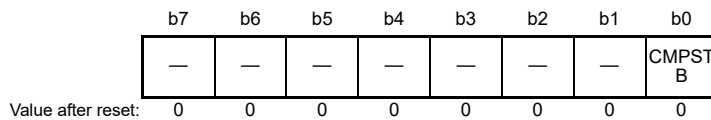
The CMPLB bit selects the comparison conditions for channels for window B. When the comparison result of each analog input meets the set condition, the ADCMPBSR.CMPSTB bit is set to 1 and a compare interrupt (ADC140_CMPBI) request is generated.

| Compare conditions when the window function is disabled | | | |
|-----------------------------------------------------------------|---------|-------------------------------------------|---------|
| CMPLB = 0 | | CMPLB = 1 | |
| ADWINLLB value \leq A/D converted value | Not met | ADWINLLB value $<$ A/D converted value | Met |
| ADWINLLB value $>$ A/D converted value | Met | ADWINLLB value \geq A/D converted value | Not met |
| Compare conditions when the window function is enabled | | | |
| CMPLB = 0 | | | |
| A/D converted value $>$ ADWINULB value | | Met | |
| ADWINLLB value \leq A/D converted value \leq ADWINULB value | | Not met | |
| A/D converted value $<$ ADWINLLB value | | Met | |
| CMPLB = 1 | | | |
| A/D converted value \geq ADWINULB value | | Not met | |
| ADWINLLB value $<$ A/D converted value $<$ ADWINULB value | | Met | |
| A/D converted value \leq ADWINLLB value | | Not met | |

Figure 35.5 Compare conditions for compare function window B

35.2.29 A/D Compare Function Window B Status Register (ADCMPBSR)

Address(es): ADC140.ADCMPBSR 4005 C0ACh



| Bit | Symbol | Bit name | Description | R/W |
|----------|--------|-----------------------|------------------------------------------------------------------------------------------------------------------------------------------------------------------------------------------------------------------------------------------------------------------------------------------------------------------------------------|-----|
| b0 | CMPSTB | Compare Window B Flag | When window B operation is enabled (ADCMPCR.CMPBE = 1), this bit indicates the comparison result for channels AN000 to AN014, AN016 to AN025, temperature sensor output, and internal reference voltage, to which window B comparison conditions are applied: 0: Comparison conditions not met 1: Comparison conditions met. | R/W |
| b7 to b1 | — | Reserved | These bits are read as 0. The write value should be 0. | R/W |

CMPSTB bit (Compare Window B Flag)

The CMPSTB bit is a status flag that indicates the comparison result for channels AN000 to AN014, AN016 to AN025, the temperature sensor, and the internal reference voltage, to which window B comparison conditions are applied. When the comparison condition set in ADCMPBNSR.CMPLB is met at the end of A/D conversion, this bit is set to 1. When the ADCMPCR.CMPBIE bit is 1, a compare interrupt (ADC140_CMPBI) request is generated when this bit is set to 1.

Writing 1 to the CMPSTB bit is invalid.

[Setting condition]

- The condition set in ADCMPBNSR.CMPLB is met when ADCMPCR.CMPBE = 1.

[Clearing condition]

- Writing 0 after reading 1.

35.2.30 A/D Compare Function Window A/B Status Monitor Register (ADWINMON)

Address(es): ADC140.ADWINMON 4005 C08Ch

| | b7 | b6 | b5 | b4 | b3 | b2 | b1 | b0 |
|--------------------|----|----|-------------|-------------|----|----|----|-------------|
| | — | — | MONC MPB | MONC MPA | — | — | — | MONC OMB |
| Value after reset: | 0 | 0 | 0 | 0 | 0 | 0 | 0 | 0 |

| Bit | Symbol | Bit name | Description | R/W |
|----------|---------|-----------------------------|-----------------------------------------------------------------------------------------------------------------------------------------------------------------------------------------------------------------------|-----|
| b0 | MONCOMB | Combination Result Monitor | This bit indicates the combination result and is valid when both window A and window B operations are enabled: 0: Window A/window B composite conditions not met 1: Window A/window B composite conditions met. | R |
| b3 to b1 | — | Reserved | These bits are read as 0 | R |
| b4 | MONCMPA | Comparison Result Monitor A | 0: Window A comparison conditions not met 1: Window A comparison conditions met. | R |
| b5 | MONCMPB | Comparison Result Monitor B | 0: Window B comparison conditions not met 1: Window B comparison conditions met. | R |
| b7, b6 | — | Reserved | These bits are read as 0 | R |

MONCOMB bit (Combination Result Monitor)

The read-only MONCOMB bit indicates the combined result of comparison condition results A and B based on the combination condition set in the ADCMPCR.CMPAB[1:0] bits.

[Setting condition]

- The combined result meets the combination condition set in the ADCMPCR.CMPAB[1:0] bits when ADCMPCR.CMPAE = 1 and ADCMPCR.CMPBE = 1.

[Clearing conditions]

- The combined result does not meet the combination condition set in the ADCMPCR.CMPAB[1:0] bits
- ADCMPCR.CMPAE = 0 or ADCMPCR.CMPBE = 0.

MONCMPA bit (Comparison Result Monitor A)

The read-only MONCMPA bit is read as 1 when the A/D-converted value of the window A target channel meets the condition set in the ADCMPLR0/ADCMPLR1 and ADCMPLER registers. Otherwise, it is read as 0.

[Setting condition]

- The A/D-converted value meets the condition set in ADCMPLR0.CMPLCHAn when ADCMPCR.CMPAE = 1.

[Clearing conditions]

- The A/D-converted value does not meet the condition set by ADCMPLR0.CMPLCHAN when ADCMPCR.CMPAE = 1
- ADCMPCR.CMPAE = 0 (automatically cleared when the ADCMPCR.CMPAE value changes from 1 to 0).

MONCMPB bit (Comparison Result Monitor B)

The read-only MONCMPB bit is read as 1 when the A/D-converted value of the window B target channel meets the condition set in the ADCMPBNSR.CMPLB bit. Otherwise, it is read as 0.

[Setting condition]

- The A/D-converted value meets the condition set in ADCMPBNSR.CMPLB when ADCMPCR.CMPBE = 1.

[Clearing conditions]

- The A/D-converted value does not meet the condition set in ADCMPBNSR.CMPLB when ADCMPCR.CMPBE = 1
- ADCMPCR.CMPBE = 0 (automatically cleared when the ADCMPCR.CMPBE value changes from 1 to 0.)

35.2.31 A/D High-Potential/Low-Potential Reference Voltage Control Register (ADHVREFCNT)

Address(es): ADC140.ADHVREFCNT 4005 C08Ah

| | | | | | | | |
|-------|----|----|-------|----|----|------------|----|
| b7 | b6 | b5 | b4 | b3 | b2 | b1 | b0 |
| ADSLP | — | — | LVSEL | — | — | HVSEL[1:0] | |

Value after reset: 0 0 0 0 0 0 0 0

| Bit | Symbol | Bit name | Description | R/W |
|--------|----------------------------|-----------------------------------------|----------------------------------------------------------------------------------------------------------------------------------------------------------------------------------------------------------------------------------------------------------------------------------------------------------|-----|
| b1, b0 | HVSEL[1:0] | High-Potential Reference Voltage Select | b1 b0 0 0: AVCC0 is selected as the high-potential reference voltage 0 1: VREFH0 is selected as the high-potential reference voltage 1 0: Internal reference voltage is selected as the high-potential reference voltage 1 1: Internal node discharge. No reference voltage pin is selected. | R/W |
| b3, b2 | — | Reserved | These bits are read as 0. The write value should be 0. | R/W |
| b4 | LVSEL | Low-Potential Reference Voltage Select | 0: AVSS0 is selected as the low-potential reference voltage 1: VREFL0 is selected as the low-potential reference voltage. | R/W |
| b6, b5 | — | Reserved | These bits are read as 0. The write value should be 0. | R/W |
| b7 | ADSLP | Sleep | 0: Normal operation 1: Standby state. | R/W |

[HVSEL\[1:0\] bits \(High-Potential Reference Voltage Select\)](#)

The HVSEL[1:0] bits set the high-potential reference voltage. AVCC0, VREFH0, or the internal reference voltage (1.45 V) is selectable as the high-potential reference voltage.

Before selecting the internal reference voltage by setting these bits to 10b, set HVSEL[1:0] = 11b to discharge the path of the high-potential reference voltage. After the discharge is completed, set HVSEL[1:0] = 10b and start the A/D conversion.

When the internal reference voltage is selected as the high-potential reference voltage (HVSEL[1:0] = 10b), A/D conversion is possible for channels AN000 to AN014, AN016 to AN025, while A/D conversion of the internal reference voltage or the temperature sensor output is prohibited.

[LVSEL bit \(Low-Potential Reference Voltage Select\)](#)

The LVSEL bit sets the low-potential reference voltage. AVSS0 or VREFL0 is selectable as the low-potential reference

voltage.

ADSLP bit (Sleep)

The ADSLP bit transitions the A/D converter to the standby state. Set the ADSLP bit to 1 only when modifying the ADCSR.ADHSC bit. In other cases, setting the ADSLP bit to 1 is prohibited.

After the ADSLP bit is set to 1, wait at least 5 μ s before clearing this bit to 0. In addition, after the ADSLP bit is cleared to 0, wait at least 1 μ s, then start the A/D conversion.

For the ADHSC bit rewriting procedure, see [section 35.8.8, ADHSC Bit Rewriting Procedure](#).

35.3 Operation

35.3.1 Scanning Operation

In scanning, A/D conversion is performed sequentially on the analog inputs of the specified channels. A scan conversion is performed in any of the three operating modes and two conversion modes:

The three operating modes are:

- Single scan mode
- Continuous scan mode
- Group scan mode.

The two conversion modes are:

- High-speed A/D conversion mode
- Low-power A/D conversion mode.

In single scan mode, one or more specified channels are scanned once. In continuous scan mode, one or more specified channels are scanned repeatedly until the ADST bit in ADCSR is set to 0 from 1 by software. In group scan mode, the selected channels of group A and the selected channels of group B are scanned once after scan is started according to the respective synchronous trigger (ELC).

In single scan mode and continuous scan mode, A/D conversion is performed on the ANn channels selected in the ADANSA0 and ADANSA1 registers, starting from the channel with the smallest number n. In group scan mode, A/D conversion is performed on the ANn channels of group A selected in the ADANSA0 and ADANSA1 registers first, and then on the ANn channels in group B selected in the ADANSB0 and ADANSB1 registers, starting from the channel with the smallest number n.

When self-diagnosis is selected, it is executed once at the beginning of each scan, and one of the three voltages generated internally in the ADC14 is converted.

Simultaneous selection of both temperature sensor output and internal reference voltage is prohibited. If the internal reference voltage is selected as the reference voltage on the high potential side, A/D conversion of the temperature sensor or the internal reference voltage is also prohibited. When temperature sensor output or internal reference voltage is selected, single scan mode should be used.

Double trigger mode can be used with single scan mode or group scan mode. With double trigger mode enabled (ADCSR.DBLE is 1), A/D conversion data of a channel selected by the DBLANS[4:0] bits in ADCSR is duplicated only if the conversion is started by the synchronous trigger (ELC) selected by the TRSA[5:0] bits in ADSTRGR. Only group A can use the double trigger mode in group scan mode.

The extended operation of double trigger mode means the A/D conversion operation is generated from the synchronous trigger combination. This trigger combination is selected in ADSTRGR.TRSA[5:0] in double trigger mode.

In extended operation of double trigger mode, in addition to normal double trigger mode operation, A/D conversion data with odd number trigger (ELC_AD00) is stored in the A/D data duplexing register A (ADDBLDRA), and A/D conversion data with even number triggers (ELC_AD01) is stored in the A/D data duplexing register B (ADDBLDRB). In extended operation of double trigger mode, when one of the trigger combination occurs at the same time, data duplexing register selection by the specified triggers does not work and A/D conversion data is stored into A/D data duplexing register B (ADDBLDRB). When one synchronous trigger is input during the A/D conversion started by another synchronous trigger, the trigger that is input during another A/D conversion is canceled.

35.3.2 Single Scan Mode

35.3.2.1 Basic operation

In basic operation of single scan mode, A/D conversion is performed once on the analog input of the specified channels as follows:

1. When the ADST bit in ADCSR is set to 1 (A/D conversion start) by a software trigger, a synchronous trigger input (ELC), or an asynchronous trigger input, A/D conversion is performed on the ANn channels selected in the ADANSA0 and ADANSA1 registers, starting from the channel with the smallest number n.
2. Each time A/D conversion of a single channel is completed, the A/D conversion result is stored in the associated A/D data register (ADDRy).
3. When A/D conversion of all the selected channels is completed, an ADC140_ADI interrupt request is generated (without register setting).
4. The ADST bit remains 1 (A/D conversion start) during A/D conversion, and is automatically cleared to 0 when A/D conversion of all the selected channels is completed. Then, the ADC14 enters a wait state.

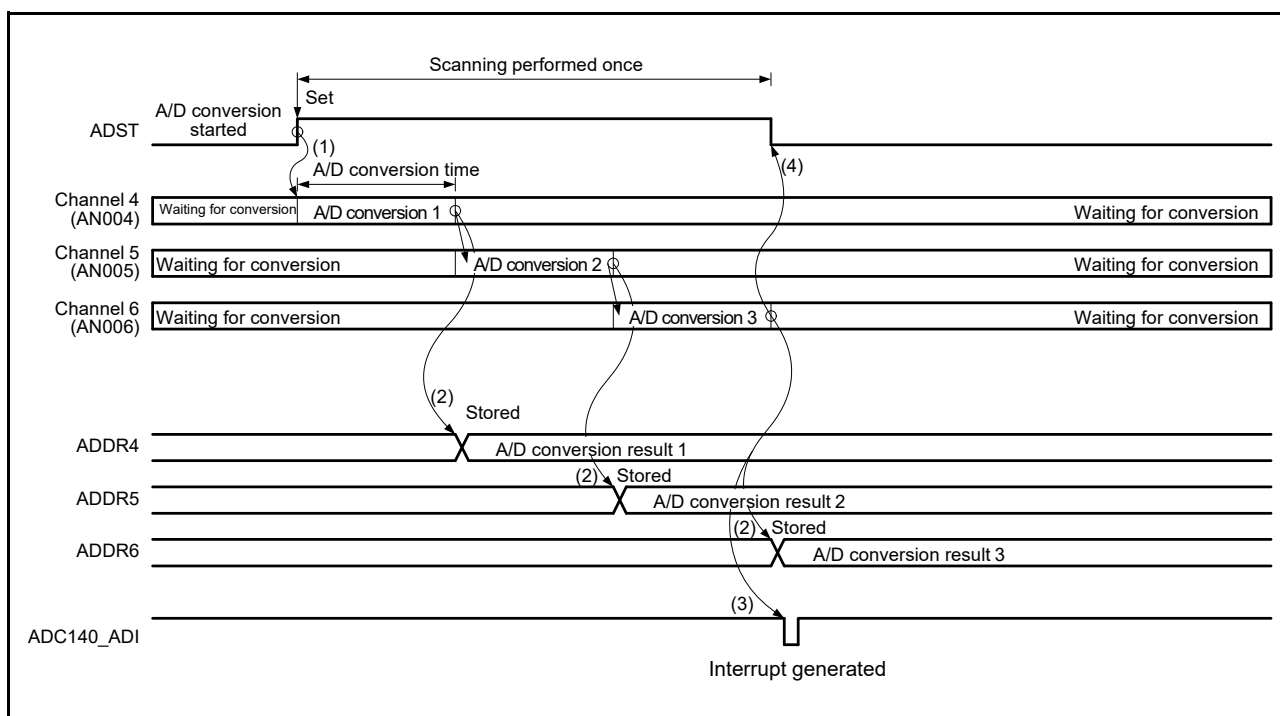


Figure 35.6 Example of basic operation in single scan mode when AN004 to AN006 selected

35.3.2.2 Channel selection and self-diagnosis

When channels and self-diagnosis are selected, A/D conversion is first performed for the reference voltage VREFH0 ($\times 0$, $\times 1/2$, or $\times 1$) supplied to the ADC14. A/D conversion is then performed once on the analog input of the selected channels as follows:

1. A/D conversion for self-diagnosis is first started when the ADST bit in ADCSR is set to 1 (A/D conversion start) by a software trigger, a synchronous trigger input (ELC), or an asynchronous trigger input.
2. When A/D conversion for self-diagnosis is completed, the A/D conversion result is stored into the A/D Self-Diagnosis Data Register (ADDRD). A/D conversion is then performed on the ANn channels selected in the ADANSA0 and ADANSA1 registers, starting from the channel with the smallest number n.
3. Each time A/D conversion of a single channel completes, the A/D conversion result is stored into the associated A/D data register (ADDRy).
4. When A/D conversion of all the selected channels completes, an ADC140_ADI interrupt request is generated

(without register setting).

- The ADST bit remains 1 (A/D conversion start) during A/D conversion and is automatically cleared to 0 when A/D conversion of all the selected channels is completed. Then, the ADC14 enters a wait state.

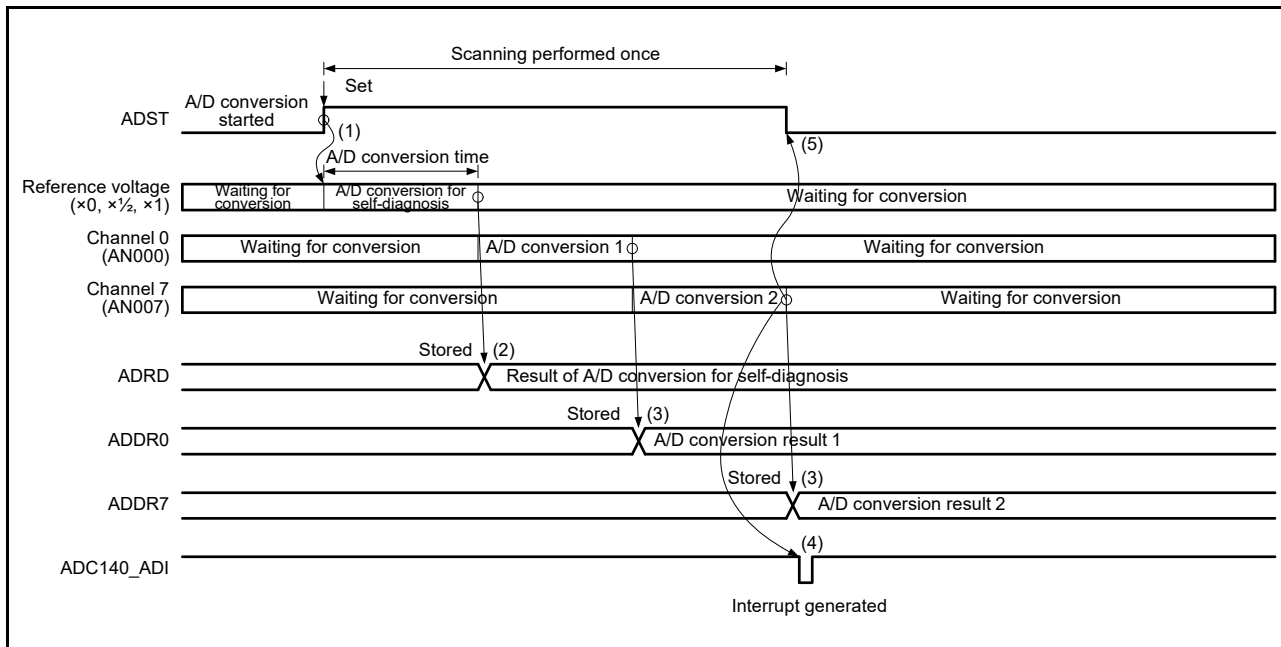


Figure 35.7 Example of basic operation in single scan mode when AN000 and AN007 are selected with self-diagnosis

35.3.2.3 A/D conversion of temperature sensor output/internal reference voltage

A/D conversion is performed on the temperature sensor output or the internal reference voltage in single scan mode as described in this section.

When selecting A/D conversion of the temperature sensor output or the internal reference voltage, deselect all analog input channels by setting the ADANSA0 and ADANSA01 registers to all 0's, and the ADCSR.DBLE bit to 0.

When selecting A/D conversion of temperature sensor output, set the Internal Reference Voltage A/D Conversion Select bit (ADEXICR.OCSA) to 0 (deselected). When selecting A/D conversion of internal reference voltage, set the Temperature Sensor Output A/D Conversion Select bit (ADEXICR.TSSA) to 0 (deselected).

The operation is as follows:

- Set the sampling time to 5 μ s or longer. Take note of the A/D Sampling State Register T and A/D Sampling State Register O (ADSSTRT/ADSSTRO) settings, and ADCLK frequency.
- After switching to A/D conversion of internal reference voltage or temperature sensor output, set the ADST bit to 1 to start conversion.
- On completion of A/D conversion, the result is stored in the associated Temperature Sensor Data Register (ADTSDR) or A/D Internal Reference Voltage Data Register (ADOCDR), and an ADC140_ADI interrupt request is generated (without register setting).
- The ADST bit remains 1 during A/D conversion and is automatically cleared to 0 on completion of the A/D conversion. The ADC14 then enters a wait state.

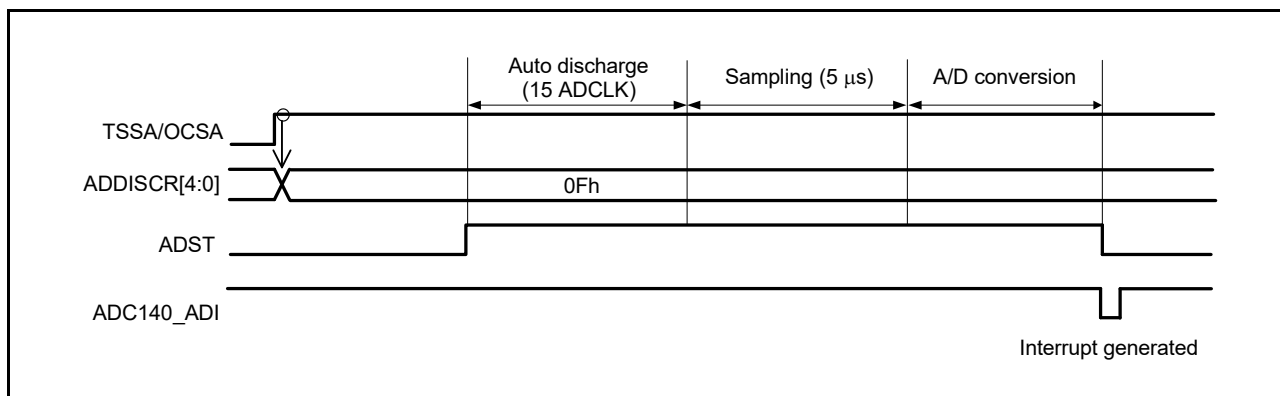


Figure 35.8 Example of basic operation in single scan mode when AN000 and temperature sensor output or internal reference voltage is selected

35.3.2.4 A/D conversion in double trigger mode

When double trigger mode is selected in single scan mode, two rounds of single-scan operation started by a synchronous trigger (ELC) are performed in sequence as described in this section.

Deselect self-diagnosis and deselect the temperature sensor output A/D conversion and the internal reference voltage A/D conversion by setting the ADEXICR.TSSA and ADEXICR.OCSA bits to 0.

Duplication of A/D conversion data is enabled by setting the channel numbers to be duplicated to the DBLANS[4:0] bits in ADCSR and setting the DBLE bit in ADCSR to 1. When the DBLE bit in ADCSR is set to 1, channel selection using the ADANSA0 and ADANSA1 registers is invalid.

In double trigger mode, select a synchronous trigger (ELC) with the TRSA[5:0] bits in ADSTRGR. Additionally, set the ADCSR.EXTRG bit to 0 and the ADCSR.TRGE bit to 1. Do not use software trigger.

The operation is as follows:

1. When the ADST bit in ADCSR is set to 1 (A/D conversion start) by a synchronous trigger input (ELC), A/D conversion is started on the single channel selected by the DBLANS[4:0] bits in ADCSR.
2. Each time A/D conversion of a single channel completes, the A/D conversion result is stored into the associated A/D data register y (ADDRy).
3. The ADST bit is automatically set to 0 and the ADC14 enters a wait state. An ADC140_ADI interrupt request is not generated.
4. When the ADST bit in ADCSR is set to 1 (A/D conversion start) by the second trigger input, A/D conversion is started on the single channel selected by the DBLANS[4:0] bits in ADCSR.
5. When A/D conversion completes, the A/D conversion result is stored into the A/D Data Duplexing Register (ADDBLDR), which is only used in double trigger mode.
6. An ADC140_ADI interrupt request is generated.
7. The ADST bit remains 1 (A/D conversion start) during A/D conversion and is automatically set to 0 when A/D conversion completes. The ADC14 then enters a wait state.

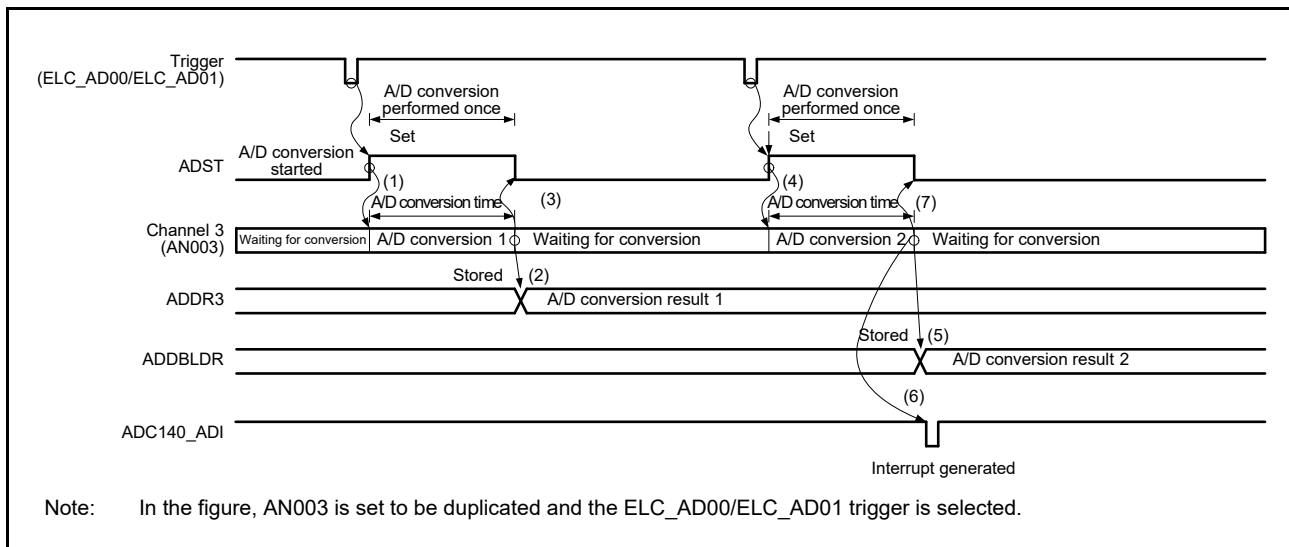


Figure 35.9 Example of operation in single scan mode with double trigger mode selected when AN003 is duplicated

35.3.2.5 Extended operations when double trigger mode is selected

When double trigger mode is selected in single scan mode, and a synchronous trigger ELC_AD00/ELC_AD01 is selected as the trigger for the start of A/D conversion, two rounds of single scan operation are performed.

Deselect self-diagnosis and deselect the temperature sensor output A/D conversion and the internal reference voltage A/D conversion by setting the ADEXICR.TSSA and ADEXICR.OCSA bits to 0.

Duplication of A/D conversion data is enabled by setting the channel numbers to be duplicated to the ADCSR.DBLANS[4:0] bits and setting the ADCSR.DBLE bit to 1. When the ADCSR.DBLE bit is set to 1, channel selection using the ADANSA0 and ADANSA1 registers is invalid.

In extended double trigger mode, select a synchronous trigger ELC_AD00/ELC_AD01 by setting the ADSTRGR.TRSA[5:0] bits to 0Bh, set the ADCSR.EXTRG bit to 0, and set the ADCSR.TRGE bit to 1. Do not use a software trigger.

The operation is as follows:

1. A/D conversion for the single channel selected by the ADCSR.DBLANS[4:0] bits starts when the ELC_AD00/ELC_AD01 input sets the ADCSR.ADST bit to 1 (A/D conversion start).
2. The result is stored in the associated A/D data register y (ADDRy) and in A/D Data Duplexing Register A (ADDBLDRA) or A/D Data Duplexing Register B (ADDBLDRB) when the trigger of ELC_AD00 or ELC_AD01 is input respectively on completion of the A/D conversion for the channel.
3. The ADCSR.ADST bit is automatically set to 0 and the ADC14 enters a wait state. An ADC14_ADI interrupt is not generated.
4. When the ELC_AD00/ELC_AD01 input sets the ADCSR.ADST bit to 1 (A/D conversion start), conversion for the single channel selected by the ADCSR.DBLANS[4:0] bits starts.
5. The result is stored in the A/D Data Duplexing Register (ADDBLDR) and in A/D Data Duplexing Register A (ADDBLDRA) or A/D Data Duplexing Register B (ADDBLDRB) when the trigger of ELC_AD00 or ELC_AD01 is input respectively on completion of A/D conversion.
6. An ADC14_ADI interrupt request is generated.
7. The ADCSR.ADST bit remains 1 (A/D conversion start) during A/D conversion and is automatically set to 0 on completion of conversion. The ADC14 then enters a wait state.

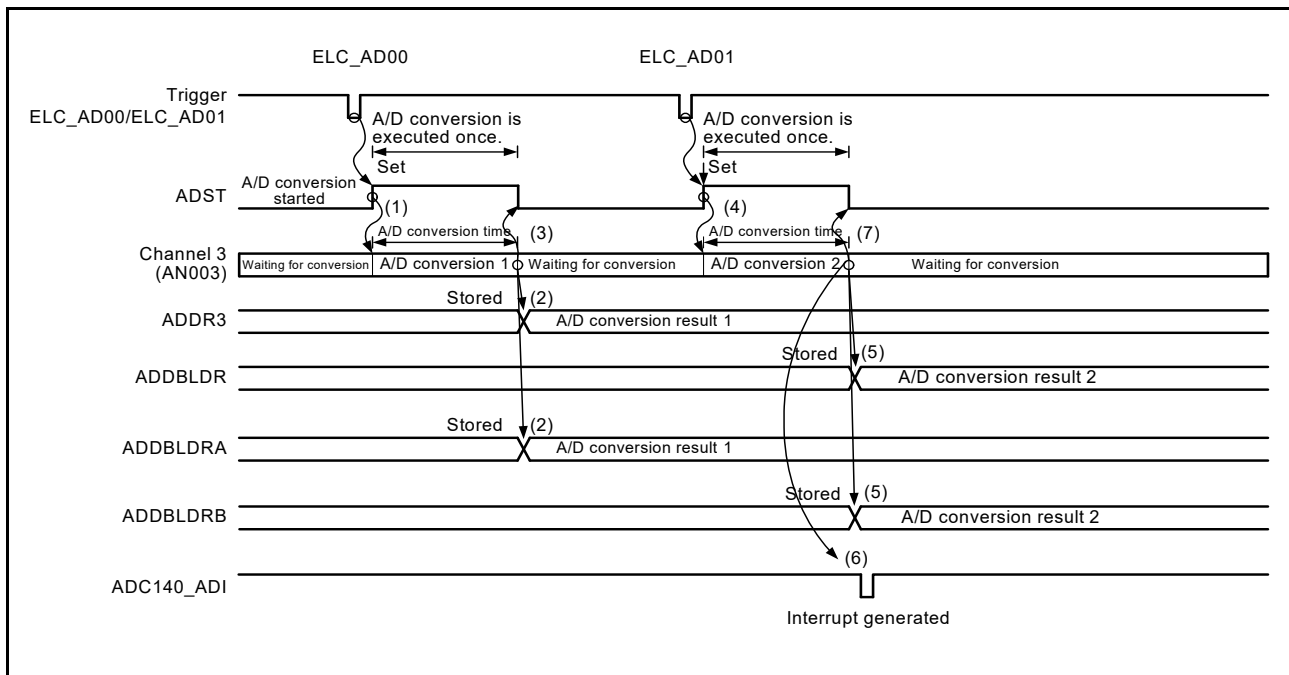


Figure 35.10 Example of extended operation in double trigger mode (1) with duplication selected for AN003, and ELC_AD00/ELC_AD01 selected

35.3.3 Continuous Scan Mode

35.3.3.1 Basic operation

In continuous scan mode, A/D conversion is performed repeatedly on the analog input of the specified channels as described in this section.

In this mode, deselect the temperature sensor output A/D conversion and the internal reference voltage A/D conversion by setting the ADEXICR.TSSA and ADEXICR.OCSA bits to 0.

1. When the ADST bit in ADCSR is set to 1 (A/D conversion start) by a software trigger, a synchronous trigger input (ELC), or an asynchronous trigger input, A/D conversion is performed for ANn channels selected by the ADANSA0 and ADANSA1 registers, starting from the channel with the smallest number n.
2. Each time A/D conversion of a single channel completes, the A/D conversion result is stored into the associated A/D data register y (ADDRy).
3. When A/D conversion of all the selected channels completes, an ADC14_ADI interrupt request is generated. The ADC14 sequentially starts A/D conversion for the ANn channels selected by the ADANSA0 and ADANSA1 registers, starting from the channel with the smallest number n.
4. The ADST bit in ADCSR is not automatically cleared and steps 2. and 3. are repeated as long as the bit remains 1 (A/D conversion start). When the ADCSR.ADST bit is set to 0 (A/D conversion stop), A/D conversion stops and the ADC14 enters a wait state.
5. When the ADST bit is then set to 1 (A/D conversion start), A/D conversion starts again for the ANn channels selected in the ADANSA0 and ADANSA1 registers, starting from the channel with the smallest number n.

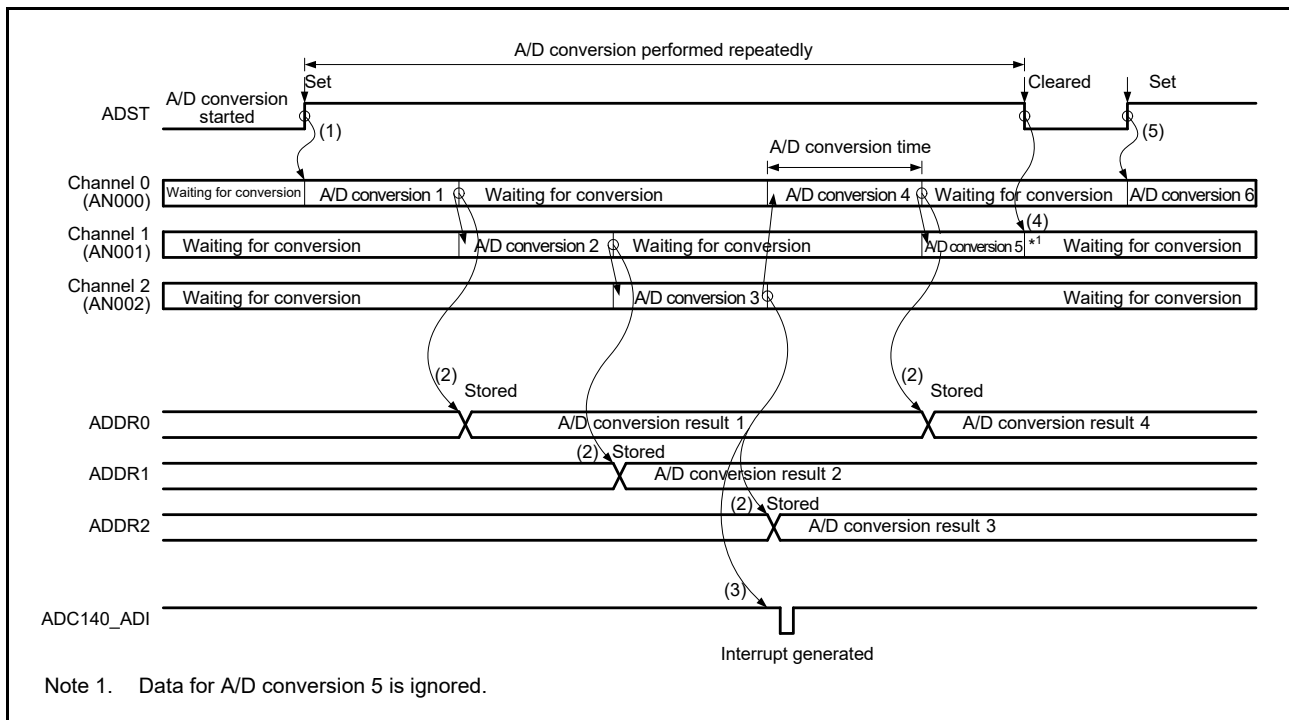


Figure 35.11 Example of basic operation in continuous scan mode with AN000 to AN002 selected

35.3.3.2 Channel selection and self-diagnosis

When channels are selected together with self-diagnosis, A/D conversion is first performed on the reference voltage VREFH0 ($\times 0$, $\times 1/2$, or $\times 1$) supplied to the ADC14, then A/D conversion is performed on the analog input of the selected channels. This sequence is repeated as described in this section.

In continuous scan mode, deselect the temperature sensor output A/D conversion and the internal reference voltage A/D conversion by setting the ADEXICR.TSSA and ADEXICR.OCSA bits to 0.

The operation is as follows:

1. A/D conversion for self-diagnosis is first started when the ADST bit in ADCSR is set to 1 (A/D conversion start) by a software trigger, a synchronous trigger input (ELC), or an asynchronous trigger input.
2. When A/D conversion for self-diagnosis completes, the A/D conversion result is stored into the A/D Self-Diagnosis Data Register (ADDRD). A/D conversion is then performed on the ANn channels selected in the ADANSA0 and ADANSA1 registers, starting from the channel with the smallest number n.
3. Each time A/D conversion of a single channel completes, the A/D conversion result is stored in the associated A/D data register y (ADDRy).
4. When A/D conversion of all the selected channels completes, an ADC140_ADI interrupt request is generated. At the same time, the ADC14 starts A/D conversion for self-diagnosis and then on the ANn channels selected in the ADANSA0 and ADANSA1 registers, starting from the channel with the smallest number n.
5. The ADST bit is not automatically cleared and steps 2. to 4. are repeated as long as the bit remains 1. When the ADST bit is set to 0 (A/D conversion stop), A/D conversion stops and the 14-bit A/D converter enters a wait state.
6. When the ADST bit is later set to 1 (A/D conversion start), the A/D conversion for self-diagnosis starts again.

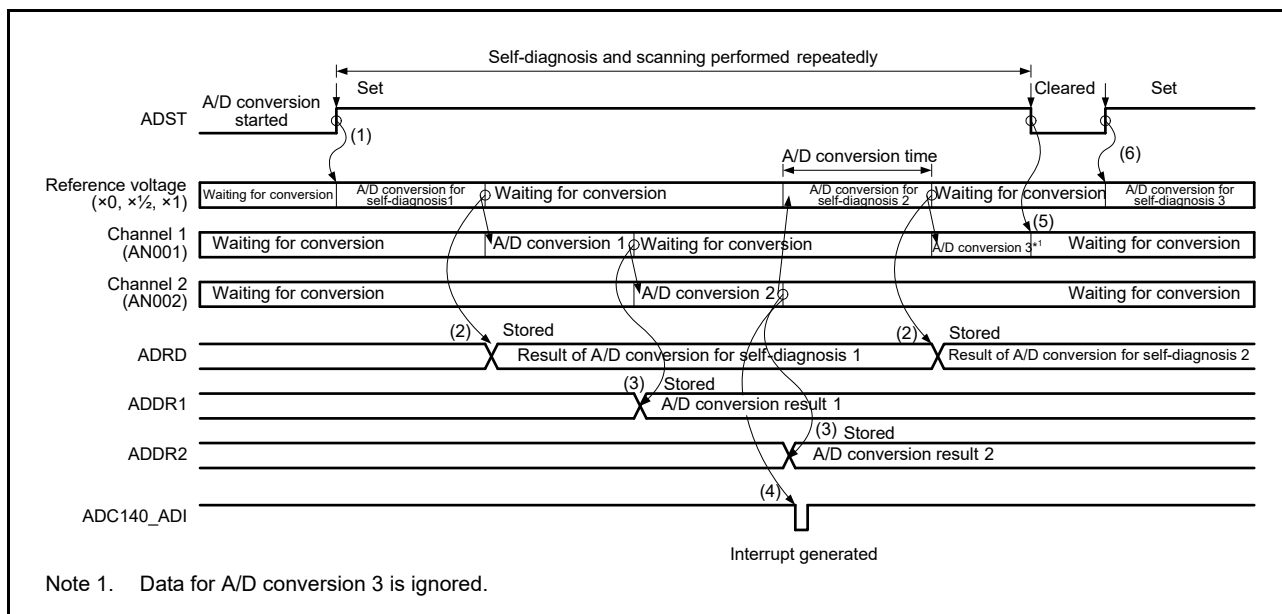


Figure 35.12 Example of basic operation in continuous scan mode when AN001 and AN002 selected with self-diagnosis

35.3.4 Group Scan Mode

35.3.4.1 Basic operation

In group scan mode, A/D conversion is performed once on the analog inputs of all the specified channels in group A and group B after scanning is started by a synchronous trigger (ELC) as below. The scan operation of each group is similar to the scan operation in single scan mode.

The synchronous triggers of group A and B can be selected with the ADSTRGR.TRSA[5:0] bits for group A and with the ADSTRGR.TRSB[5:0] bits for group B. Use different triggers for group A and group B to prevent simultaneous A/D conversion of the two groups. Do not use a software trigger.

The group A channels to be A/D-converted are selected using the ADANSA0 and ADANSA1 registers, while the group B channels to be A/D-converted are selected using the ADANSB0 and ADANSB1 registers. Group A and group B cannot use the same channels.

In group scan mode, deselect the temperature sensor output A/D conversion and the internal reference voltage A/D conversion by setting the ADEXICR.TSSA and ADEXICR.OCSA bits to 0. When self-diagnosis is selected in group scan mode, self-diagnosis is separately executed for group A and group B.

The following describes operation in group scan mode using a synchronous trigger from the ELC. In this example, the ELC_AD00 trigger from the ELC is used to start conversion of group A and the ELC_AD01 trigger from the ELC is used to start conversion of group B. Also, the ELC_AD00 and ELC_AD01 are selected for the GPT event by the associated ELC.ELSRn registers.

1. Scanning of group A is started by ELC_AD00.
2. When group A scanning completes, an ADC140_ADI interrupt is generated (without register setting).
3. Scanning of group B is started by ELC_AD01.
4. When group B scanning completes, an ADC140_GBADI interrupt is generated if the ADCSR.GBADIE bit is 1 (ADC140_GBADI interrupt is enabled).

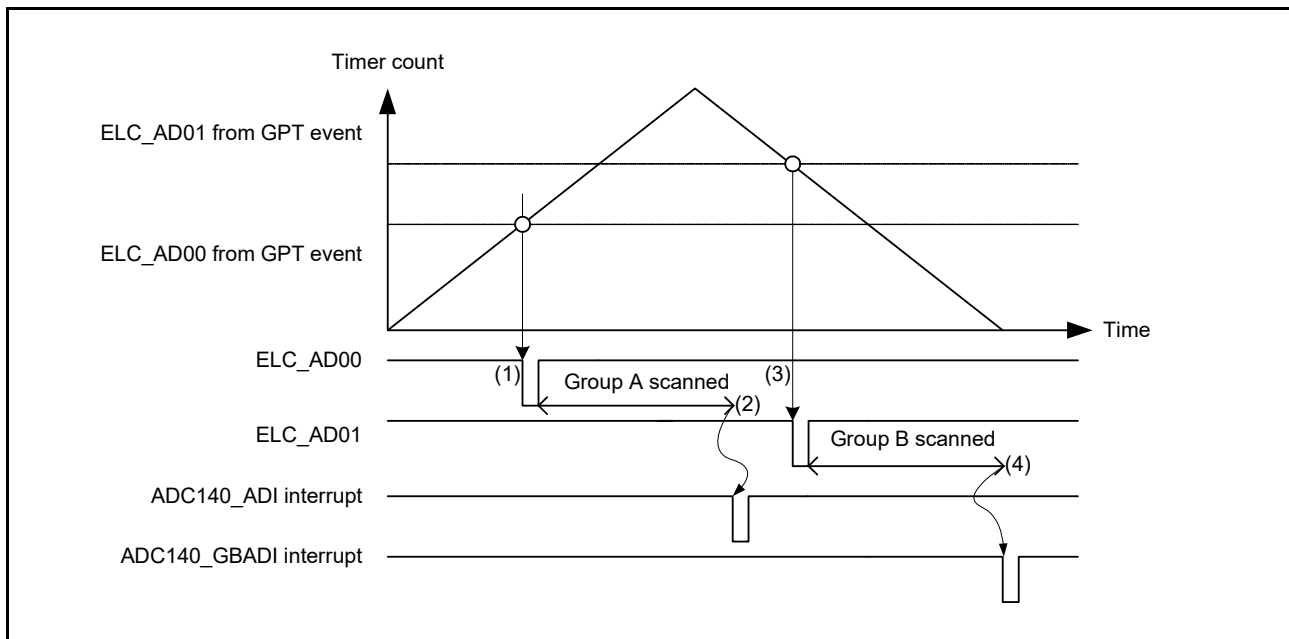


Figure 35.13 Example of basic operation in group scan mode with synchronous triggers from ELC

35.3.4.2 A/D conversion in double trigger mode

When double trigger mode is selected in group scan mode, two rounds of single scan operation started by a synchronous trigger (ELC) are performed as a sequence for group A. For group B, single scan operation started by a synchronous trigger (ELC) is performed once.

In group scan mode, select synchronous triggers for group A and B with the ADSTRGR.TRSA[5:0] bits for group A and the ADSTRGR.TRSB[5:0] bits for group B. Use different triggers for group A and group B to prevent simultaneous A/D conversion of the two groups. Do not use a software trigger or an asynchronous trigger (ADTRG0).

When an ELC_AD00/ELC_AD01 is selected as group A synchronous triggers by setting the ADSTRGR.TRSA[5:0] bits to 0Bh, operation proceeds in extended double trigger mode.

The group A channel to be A/D-converted is selected with the ADCSR.DBLANS[4:0] bits and the group B channel to be A/D-converted is selected in the ADANSB0 and ADANSB1 registers. Group A and group B cannot use the same channels.

In group scan mode, deselect the temperature sensor output A/D conversion and the internal reference voltage A/D conversion by setting the ADEXICR.TSSA and ADEXICR.OCSA bits to 0.

When double trigger mode is selected in group scan mode, self-diagnosis cannot be selected.

Duplication of A/D conversion data is enabled by setting the channel numbers to be duplicated to the DBLANS[4:0] bits in ADCSR and setting the DBLE bit in ADCSR to 1.

The following sequence describes operation in group scan mode with double trigger mode using synchronous triggers from the ELC. In this example, the ELC_AD00 trigger is used to start conversion of group A and the ELC_AD01 trigger is used to start conversion of group B. Also, the ELC_AD00 and ELC_AD01 are selected for the GPT event by the associated ELC.ELSRn registers.

The operation is as follows:

1. Scanning of group B is started by the ELC_AD00 trigger from the ELC.
2. When group B scanning completes, an ADC140_GBADI interrupt is generated if the GBADIE bit in ADCSR is 1 (ADC140_GBADI interrupt is enabled).
3. The first scanning of group A is started by the first ELC_AD01 trigger.
4. When the first scanning of group A completes, the conversion result is stored into the associated A/D data register y (ADDRy). An ADC140_ADI interrupt request is not generated.

5. The second scanning of group A is started by the second ELC_AD01 trigger.
6. When the second scanning of group A completes, the conversion result is stored in the ADDBLDR register. An ADC140_ADI interrupt is generated (without register setting).

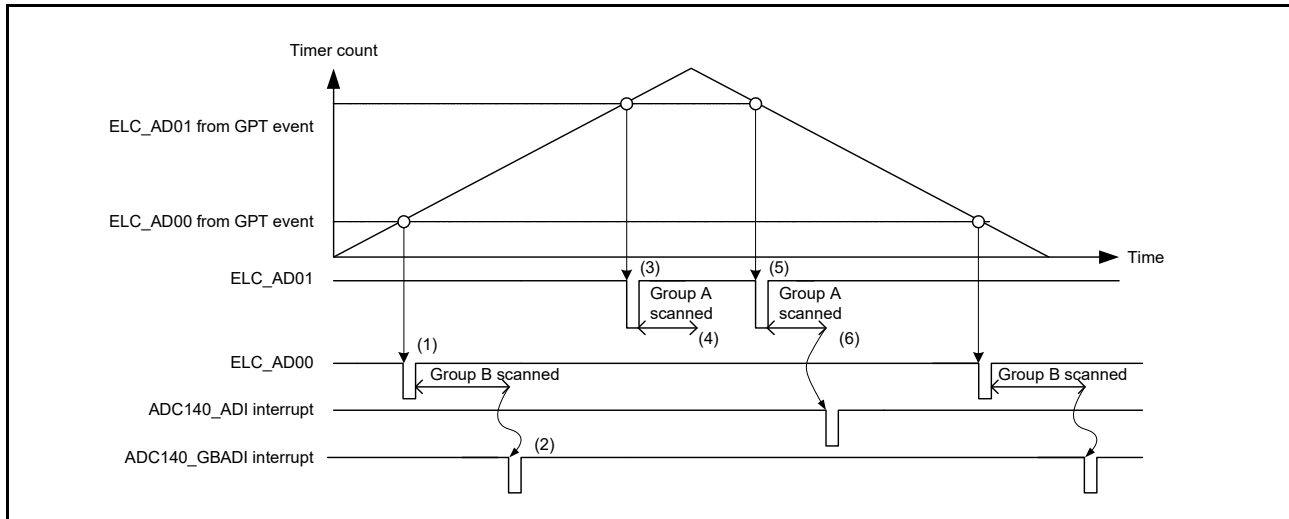


Figure 35.14 Example of operation in group scan mode with double trigger mode and basic operation synchronous triggers from ELC

35.3.4.3 Operation with group A priority control

Setting the ADGSPCR.PGS bit to 1 in group scan mode makes the operation proceed with group A priority control. When setting the PGS bit in the ADGSPCR register to 1, follow the procedure described in [Figure 35.15](#). If the procedure is not followed, A/D conversion operation and stored data are not guaranteed.

In basic group scan mode, while A/D conversion is in progress for group A or group B, input of the trigger for A/D conversion for the other group is ignored. With group A priority control, if a group A trigger is input during A/D conversion for group B, A/D conversion for group B is discontinued and A/D conversion for group A proceeds. If the setting of the ADGSPCR.GBRSCN bit is 0, the ADC14 enters wait state on completion of the A/D conversion for group A. If the setting of the ADGSPCR.GBRSCN bit is 1, the ADC14 automatically restarts group B scanning from the head of the group after completion of the A/D conversion for group A. [Table 35.9](#) summarizes operations in response to the input of a trigger during A/D conversion with the ADGSPCR.GBRSCN bit.

Scan operations in group A or group B are the same in single scan mode. Additionally, single scanning continues to proceed when the ADGSPCR.GBRP bit is set to 1 during scanning operations for group B.

For the trigger settings in group scan mode, select a synchronous trigger for group A using the ADSTRGR.TRSA[5:0] bits and select a synchronous trigger for group B different from that of group A using the ADSTRGR.TRSB[5:0] bits. Set the ADSTRGR.TRSB[5:0] bits to 3Fh when setting the ADGSPCR.GBRP bit to 1.

Additionally, as targets for A/D conversion, select channels for group A using the ADANSA0 and ADANSA1 registers. For group B, select channels different from those for group A, using the ADANSB0 and ADANSB1 registers.

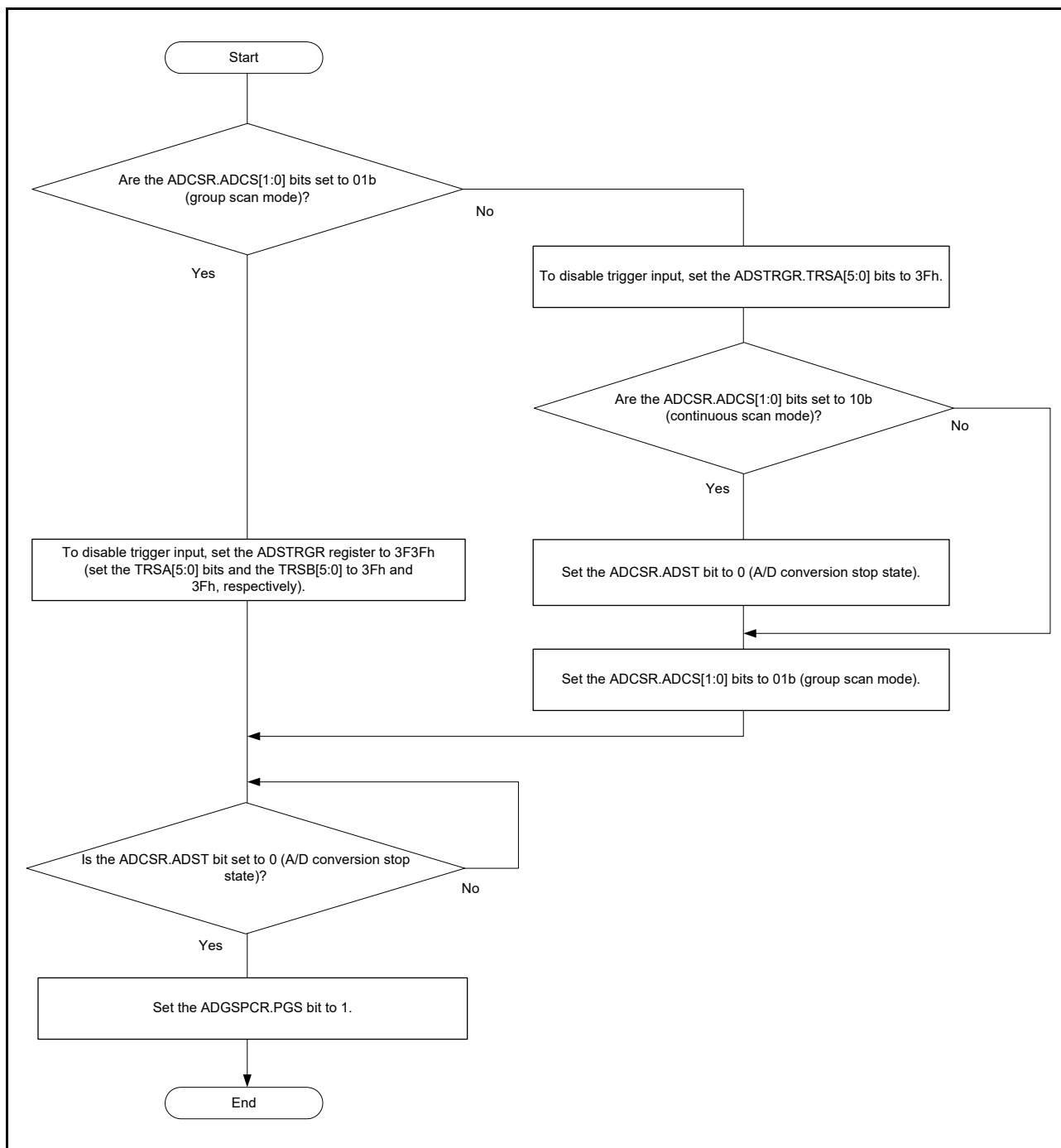


Figure 35.15 Flow for ADGSPCR.PGS bit setting

Table 35.9 Control of A/D conversion operations based on the ADGSPCR.GBRSCN bit settings (1 of 2)

| A/D conversion operation | Trigger input | ADGSPCR.GBRSCN = 0 | ADGSPCR.GBRSCN = 1 |
|------------------------------------------------|------------------------------|--------------------------|----------------------------------------------------------------------------------|
| When A/D conversion for group A is in progress | Input of trigger for group A | Trigger input is ignored | Trigger input is ignored |
| | Input of trigger for group B | Trigger input is ignored | A/D conversion is performed on group B after A/D conversion on group A completes |

Table 35.9 Control of A/D conversion operations based on the ADGSPCR.GBRSCN bit settings (2 of 2)

| A/D conversion operation | Trigger input | ADGSPCR.GBRSCN = 0 | ADGSPCR.GBRSCN = 1 |
|------------------------------------------------|------------------------------|--------------------------------------------------------|-------------------------------------------------------------------------------------------------------------------------------------------------------------------------------------|
| When A/D conversion for group B is in progress | Input of trigger for group A | Group B conversion stops and group A conversion starts | <ul style="list-style-type: none"> • Group B conversion stops and group A conversion starts • Group B conversion starts after group A conversion completes. |
| | Input of trigger for group B | Trigger input is ignored | Trigger input is ignored |

The following sequence describes the operations in group scan mode with group A priority control (for example, ADGSPCR.GBRSCN = 1 and ADGSPCR.GBRP = 0) when channel 0 is selected for group A and channels 1 to 3 are selected for group B.

1. When input of a trigger for group B sets the ADCSR.ADST bit to 1 (A/D conversion start), conversion for the ANn channels selected in the ADANSB0 and ADANSB1 registers starts in order from the channel with the smallest number n.
2. On completion of A/D conversion, the result is stored in the associated A/D data register y (ADDRy).
3. When a trigger for group A is input while the A/D conversion for group B is in progress, and A/D conversion for group B is discontinued while the ADCSR.ADST bit remains 1, A/D conversion for the ANn channels selected in the ADANSA0 and ADANSA1 registers starts in order from the channel with the smallest number n. If A/D conversion is not complete when the A/D conversion of group B is interrupted, A/D conversion result is not stored in the A/D data register y (ADDRy).
4. On completion of A/D conversion on a single channel, the result is stored in the associated A/D data register y (ADDRy).
5. An ADC140_ADI interrupt request is generated without register setting.
6. A/D conversion for the ANn channels in group B selected in the ADANSB0 and ADANSB1 registers restarts in order from the channel with the smallest number n, while the ADCSR.ADST bit remains 1.
7. On completion of A/D conversion on a single channel, the result is stored in the associated A/D data register y (ADDRy).
8. An ADC140_GBADI interrupt request is generated if the setting of the ADCSR.GBADIE bit is 1 (ADC140_GBADI interrupt on group B scan end is enabled).
9. The ADCSR.ADST bit is automatically cleared and the ADC14 enters the wait state when A/D conversion is completed.

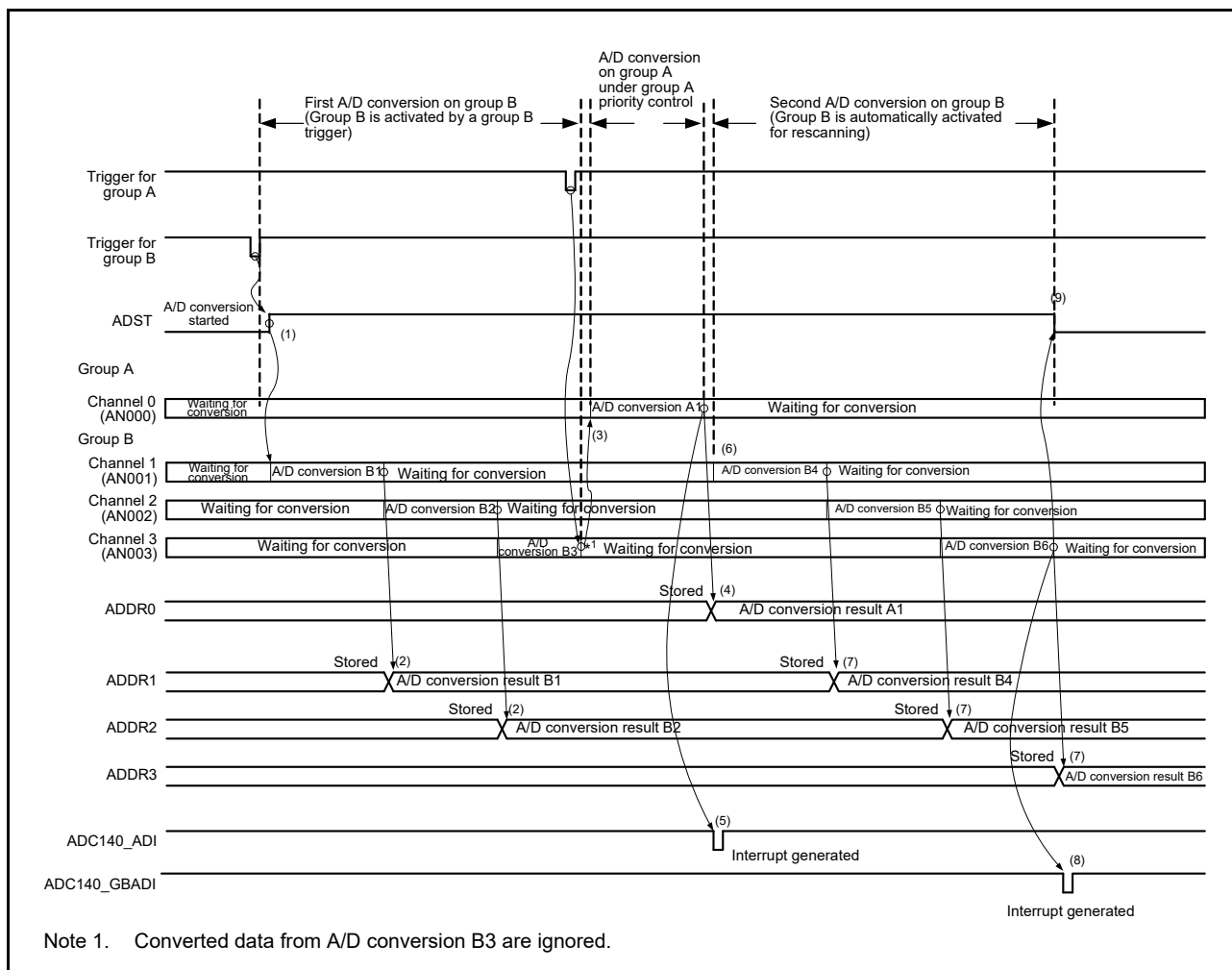


Figure 35.16 Example of operations under group A priority control (1), when ADGSPCR.GBRSCN = 1 and ADGSPCR.GBRP = 0

The following sequence is an example operation when a group A trigger is input again during rescanning operation on group B. In this example, channel 0 is selected for group A and channels 1 to 3 are selected for group B when operation on group A is given priority (ADGSPCR.GBRSCN = 1, ADGSPCR.GBRP = 0).

1. When a group B trigger input sets the ADCSR.ADST bit to 1 (A/D conversion start), conversion for the ANn channels of group B selected in the ADANSB0 and ADANSB1 registers starts in order from the channel with the smallest number n.
2. On completion of A/D conversion on a single channel, the result is stored in the associated A/D data register y (ADDRy).
3. When a group A trigger is input while A/D conversion for group B is in progress, and A/D conversion for group B is discontinued with the ADCSR.ADST bit remaining at 1. If A/D conversion is not completed when the A/D conversion of group B is interrupted, A/D conversion result is not stored in the A/D data register y (ADDRy).
4. A/D conversion for the ANn group A channels selected in the ADANSA0 and ADANSA1 registers starts in order from the channel with the smallest number n.
5. On completion of A/D conversion on a single channel, the result is stored in the associated A/D data register y (ADDRy).
6. An ADC140_ADI interrupt request is generated (without register setting).
7. If the ADGSPCR.GBRSCN bit is 1, when the A/D conversion of group A is completed, the ADCSR.ADST bit remains 1 and the group B is rescanned. A/D conversion for the ANn group B channels selected in the ADANSB0 and ADANSB1 registers starts again in order from the channel with the smallest number n.

8. On completion of A/D conversion on a single channel, the result is stored in the associated A/D data register y (ADDRy).
9. If a group A trigger is input during A/D conversion on group B for rescanning, the ADCSR.ADST bit remains 1 and the ongoing A/D conversion on group B is discontinued.
10. A/D conversion for the ANn group A channels selected in the ADANSA0 and ADANSA1 registers starts in order from the channel with the smallest number n.
11. On completion of A/D conversion on a single channel, the result is stored in the associated A/D data register y (ADDRy).
12. An ADC140_ADI interrupt request is generated (without register setting).
13. If the ADGSPCR.GBRSCN bit is 1, when the A/D conversion of group A is completed, the ADCSR.ADST bit remains 1 and the group B is rescanned. A/D conversion for the ANn group B channels selected in the ADANSB0 and ADANSB1 registers starts again in order from the channel with the smallest number n.
14. If a group A trigger is input during A/D conversion on group B for rescanning, steps 9. to 13. are repeated. If a group A trigger is not input, the ADCSR.ADST bit is cleared automatically on completion of A/D conversion on group B and the ADC14 enters a wait state.

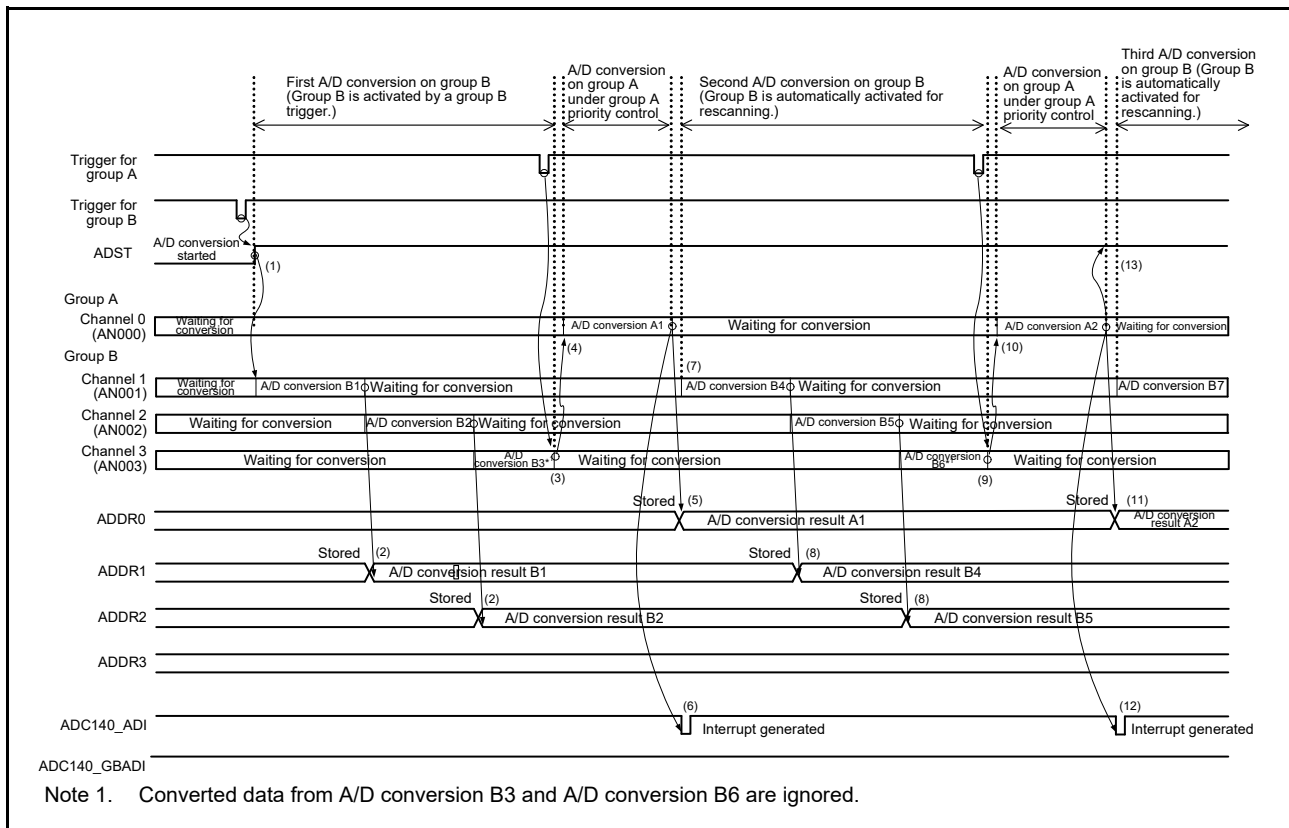


Figure 35.17 Example operation with group A priority control (2), when ADGSPCR.GBRSCN = 1 and ADGSPCR.GBRP = 0

The following sequence is an example of a rescanning operation in which a group B trigger is input during A/D conversion on group A. In this example, channels 1 to 3 are selected for group A and channel 0 is selected for group B when operation on group A is given priority (ADGSPCR.GBRSCN = 1, ADGSPCR.GBRP = 0).

1. When input of a group A trigger sets the ADCSR.ADST bit to 1 (A/D conversion start), conversion for the ANn channels selected in the ADANSA0 and ADANSA1 registers starts in order from the channel with the smallest number n.
2. On completion of A/D conversion on a single channel, the result is stored in the associated A/D data register y (ADDRy).

3. If a group B trigger is input during A/D conversion on group A, group B conversion can be performed after the group A conversion completes. However, if group A triggers are input continuously, the scan operation on group B is canceled by group A and is not performed.
4. On completion of the group A conversion, an ADC140_ADI interrupt request is generated (without register setting).
5. On completion of the group A conversion, the ADCSR.ADST bit remains at 1 and the group B is rescanned. Then, A/D conversion for the ANn channels of group B selected in the ADANSB0 and ADANSB1 registers starts in order from the channel with the smallest number n.
6. On completion of A/D conversion on a single channel, the result is stored in the associated A/D data register y (ADDRy).
7. On completion of the rescanning operation on group B, an ADC140_GBADI interrupt request is generated if the setting of the ADCSR.GBADIE bit is 1 (ADC140_GBADI scan end interrupt is enabled).
8. The ADCSR.ADST bit is automatically cleared and the ADC14 enters the wait state when A/D conversion is completed.

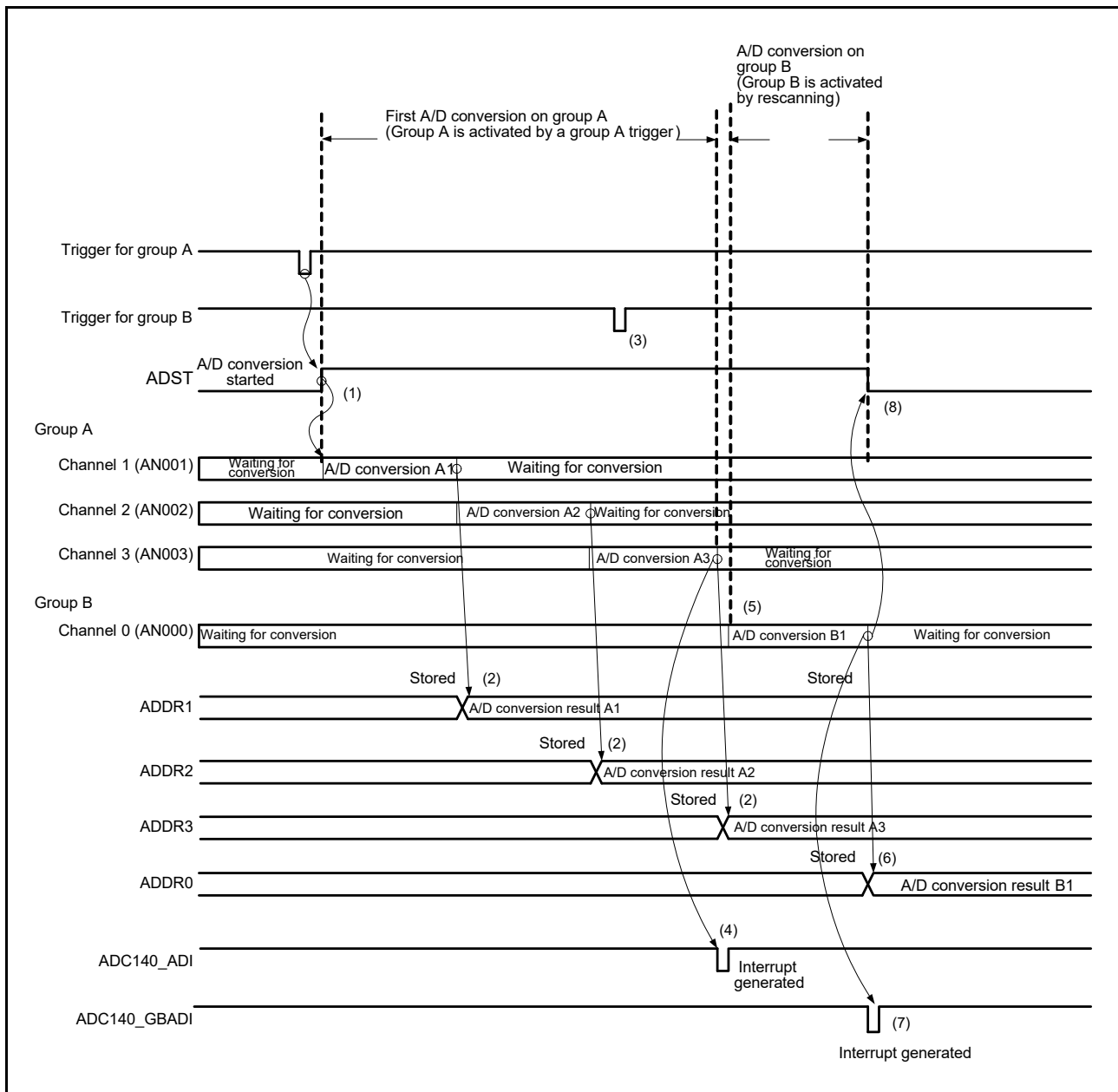


Figure 35.18 Example operation with group A priority control (3), when $ADGSPCR.GBRSCN = 1$ and $ADGSPCR.GBRP = 0$

The following sequence is an example of operation with group A priority control in which channel 0 is selected for group A and channels 1 to 3 are selected for group B ($ADGSPCR.GBRSCN = 0$, $ADGSPCR.GBRP = 0$).

1. When input of a group B trigger sets the $ADCSR.ADST$ bit to 1 (A/D conversion start), conversion for the ANn channels selected in the $ADANSB0$ and $ADANSB1$ registers starts in order from the channel with the smallest number n .
2. On completion of A/D conversion on a single channel, the result is stored in the associated A/D data register y ($ADDRy$).
3. If a group A trigger is input while A/D conversion for group B is in progress, and A/D conversion for group B is discontinued with the $ADCSR.ADST$ bit remaining 1, A/D conversion for the ANn channels selected in the $ADANSA0$ and $ADANSA1$ registers starts in order from the channel with the smallest number n .
4. On completion of A/D conversion on a single channel, the result is stored in the associated A/D data register y ($ADDRy$).

5. An ADC140_ADI interrupt request is generated without register setting.
6. The ADCSR.ADST bit is automatically cleared and the ADC14 enters the wait state when A/D conversion is complete.

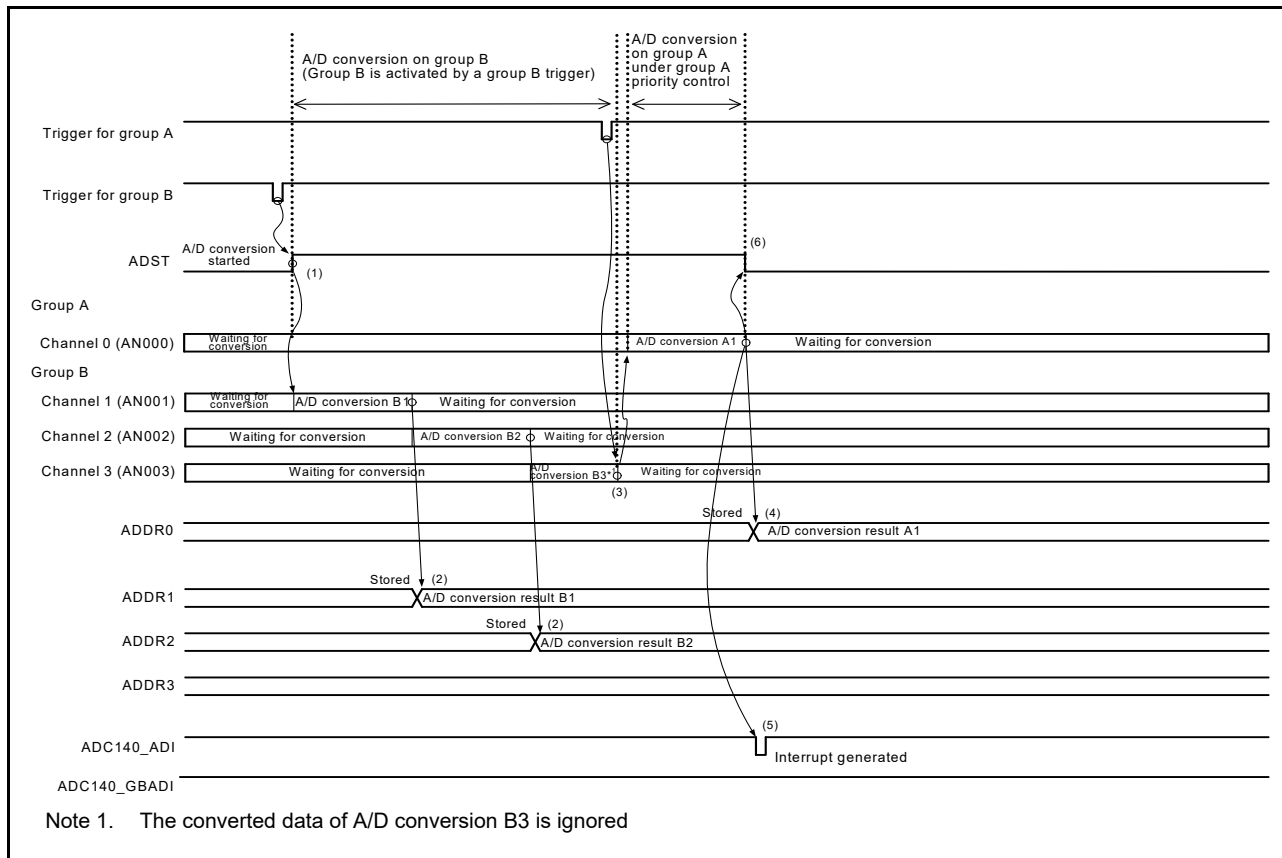


Figure 35.19 Example operation with group A priority control (4), when ADGSPCR.GBRSCN = 0 and ADGSPCR.GBRP = 0

The following sequence is an example of operation with group A priority control in which channel 0 is selected for group A and channels 1 to 3 are selected for group B (ADGSPCR.GBRP = 1):

1. The ADCSR.ADST bit is set to 1 (A/D conversion start) when ADGSPCR.GBRP is set to 1, and conversion for the ANn channels selected in the ADANSB0 and ADANSB1 registers starts in order from the channel with the smallest number n.
2. On completion of A/D conversion on a single channel, the result is stored in the associated A/D data register y (ADDRy).
3. If a trigger for group A is input while A/D conversion for group B is in progress, A/D conversion for group B is discontinued while the ADCSR.ADST bit remains 1. The A/D conversion for the ANn channels selected in the ADANSA0 and ADANSA1 registers starts in order from the channel with the smallest number n.
4. On completion of A/D conversion on a single channel, the result is stored in the associated A/D data register y (ADDRy).
5. An ADC140_ADI interrupt request is generated without the register setting.
6. A/D conversion for the ANn channels in group B selected in the ADANSB0 and ADANSB1 registers restarts in order from the channel with the smallest number n, while the ADCSR.ADST bit remains 1.
7. On completion of A/D conversion on a single channel, the result is stored in the associated A/D data register y (ADDRy).
8. An ADC140_GBADI interrupt request is generated if the ADCSR.GBADIE bit is 1.
9. A/D conversion for the ANn channels selected in the ADANSB0 and ADANSB1 registers starts in order from the

channel with the smallest number n. Steps 6. to 9. are repeated as long as the ADGSPCR.GBRP bit remains 1. Setting the ADCSR.ADST bit to 0 is prohibited while the ADGSPCR.GBRP bit is set to 1. To forcibly stop A/D conversion while ADGSPCR.GBRP = 1, follow the procedure for clearing the ADCSR.ADST bit operation by software, shown in Figure 35.31.

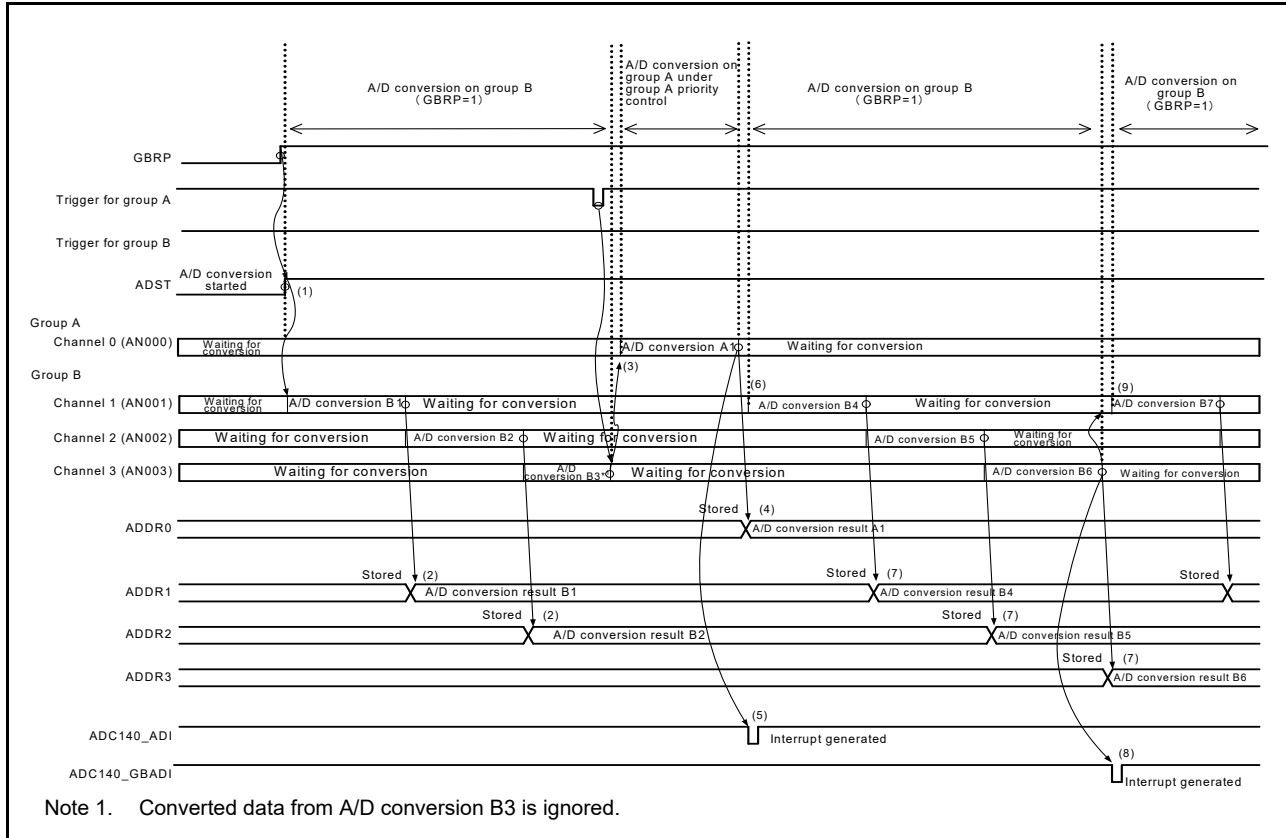


Figure 35.20 Example operation with group A priority control (5) when ADGSPCR.GBRP = 1

35.3.5 Compare Function for Window A and Window B

35.3.5.1 Compare function

The compare function compares a reference value with the A/D conversion result. The reference value can be set for window A and window B independently. When the compare function is in use, the self-diagnosis function and double trigger mode cannot be used. The main differences between window A and window B are their different interrupt output signals and the restriction on window B to select only one channel.

The following sequence describes an example operation that combines continuous scan mode and the compare function.

1. When the ADCSR.ADST bit is set to 1 (A/D conversion start) by software, a synchronous trigger (ELC), or an asynchronous trigger, A/D conversion starts for the selected channel. Do not select the temperature sensor and internal reference voltage at the same time. Additionally, when the internal reference voltage is selected as the high-potential reference voltage, A/D conversion of the temperature sensor or internal reference voltage is prohibited.
2. On completion of A/D conversion, the A/D conversion result is stored in the associated A/D data register (ADDRy, ADTSDR, or ADOCDR). When ADCMPCR.CMPAE = 1, if bits in the ADCMPANSRy register or the ADCMPANSER register are set for window A, the A/D conversion result is compared with the set ADCMPDR0/1 register value. When ADCMPCR.CMPBE = 1, if bits in the ADCMPBNSR register are set for window B, the A/D conversion result is compared with the ADWINULB/ADWINLLB register value.
3. As a result of the comparison, when window A meets the condition set in ADCMPLR0/1 or ADCMPLER, the Compare Window A flag (ADCMPSTR0.CMPSTCHAN, ADCMPSTR1.CMPSTCHAN, ADCMPSTR.CMPSTTSA, or ADCMPSTR.CMPSTOCA) is set to 1. If the ADCMPCR.CMPAIE bit is 1, an ADC140_CMPAI interrupt request (level) is generated. In the same way, when window B meets the condition set in ADCMPBNSR.CMPLB,

the Compare Window B flag (ADCMPBSR.CMPSTB) is set to 1. If the ADCMPCR.CMPBIE bit is 1, an ADC140_CMPBI interrupt request is generated.

4. On completion of all selected A/D conversions and comparisons, scan restarts.
5. After the ADC140_CMPAI and ADC140_CMPBI interrupts are accepted, the ADCSR.ADST bit is set to 0 (A/D conversion stop) and processing is performed on channels for which the compare flag is set to 1.
6. When all compare flags of window A are cleared, an ADC140_CMPAI interrupt request is canceled. In the same way, when all compare flags of window B are cleared, an ADC140_CMPBI interrupt request is canceled. To perform comparison again, restart the A/D conversion.

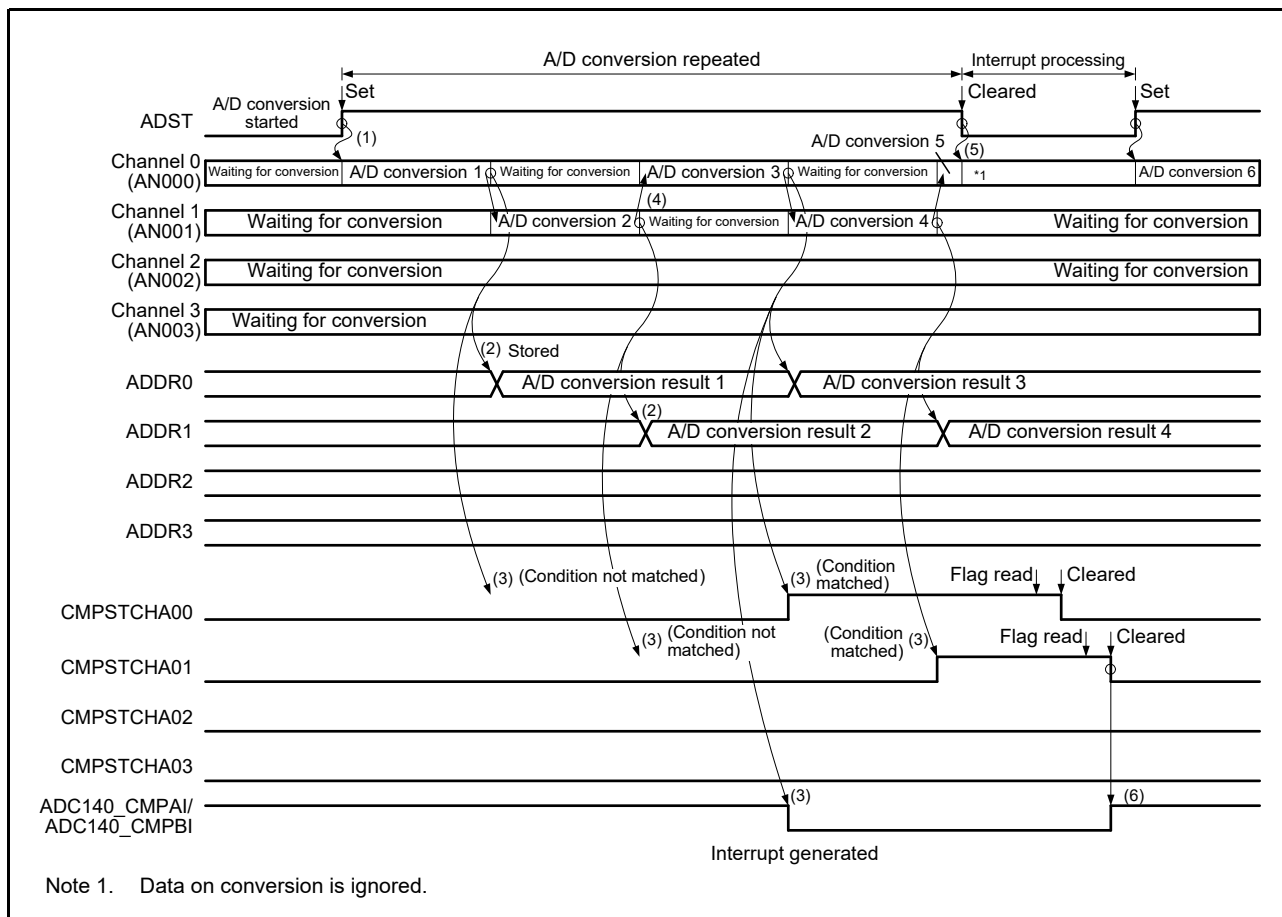


Figure 35.21 Example of compare function operation when AN000 to AN003 are compared

35.3.5.2 Event output of compare function

The event output of compare function specifies the upper reference voltage value for window A and the lower reference voltage value for window B, compares the A/D-converted value of the selected channel with the upper and lower reference voltage value, and outputs the ADC140_WCMPLM/ADC140_WCMPUM events according to event conditions (A OR B, A AND B, A XOR B) and comparison result of window A and window B.

If more than one channel is selected for window A, and even one channel in window A meets the comparison condition, the comparison result of window A is met. When using this function, perform A/D conversion in single scan mode.

Any channels from AN000 to AN027, internal reference voltage, and temperature sensor output are selectable for window A. However, neither the internal reference voltage nor the temperature sensor output can be selected together with any other channel. In addition, if the internal reference voltage is selected as the high-potential reference voltage of the ADC14, the internal reference voltage or the temperature sensor output cannot be A/D-converted.

A single channel from AN000 to AN014, AN016 to AN025, internal reference voltage, and temperature sensor output is selectable for window B. However, neither the internal reference voltage nor the temperature sensor output can be selected together with any other channel. In addition, if the internal reference voltage is selected as the high-potential

reference voltage, the internal reference voltage or the temperature sensor output cannot be A/D converted.

The following sequence describes the setting procedure and example when using event output of the compare function.

1. Confirm that the ADCSR.ADCS[1:0] bits are 00b (single scan mode).
2. Select the channel for window A in the ADCMPANSR0/1 and ADCMPANSER registers. Set the window comparison conditions in the ADCMPLR0/1, ADCMPLER registers. Set the higher and lower reference values in the ADCMPDR0/1 registers.
3. Select the channel and comparison conditions for window B in the ADCMPBNSR register, and set the upper and lower reference values in the ADWINULB and ADWINLLB registers.
4. Set the composite conditions for window A/B, window A/B operation enable, and interrupt output enable in the ADCMPCR register.

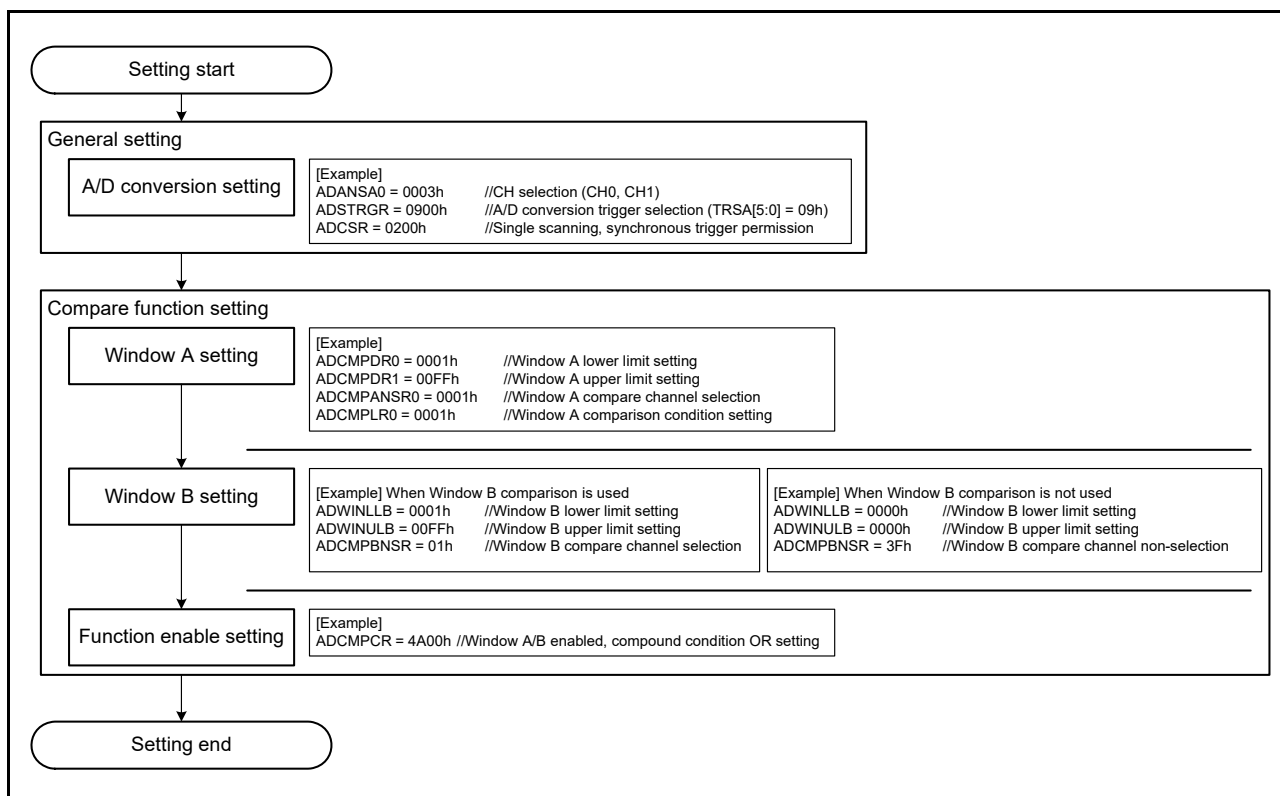


Figure 35.22 Setting example when using event output of the compare function

Notes on the event output usage when using only window A for the compare function:

- Enable both window A and window B (ADCMPCR.CMPAE = 1, ADCMPCR.CMPBE = 1)
- Set the compound condition of window A and B to OR condition (ADCMPCR.CMPAB[1:0] = 00b)
- Set the compared channel of window B to Do not select (ADCMPBNSR.CMPCHB[5:0] = 111111b)
- Set the compare condition of window B to 0 < results < 0 means mismatch always (ADCMPCR.WCMPE = 1, ADWINLLB[15:0] = ADWINULB[15:0] = 0000h, ADCMPBNSR.CMPLB = 1).

Figure 35.23 shows an example event output operation of the compare function.

A scan end event (ADC140_ADI) is output at the same time as a one-time single scan completion. A match or mismatch event (ADC140_WCMPE/ADC140_WCMPUM) is output with a clock delay of 1 PCLKB set in ADCMPCR.CMPAB[1:0].

Note: The match and mismatch events are exclusive, so both events do not output simultaneously.

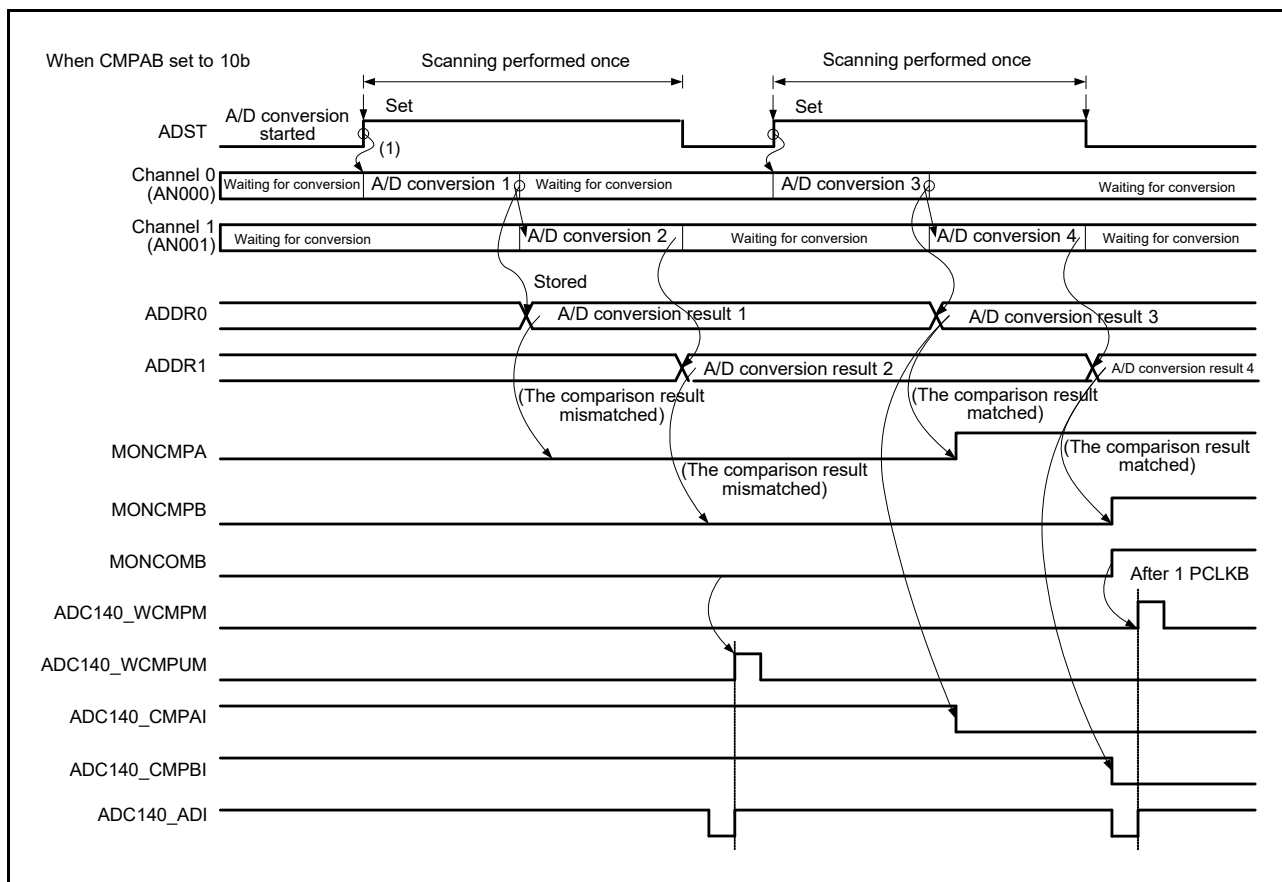


Figure 35.23 Event output operation example of compare function when AN000 to AN001 are compared

- Note: Event output of the compare function outputs match/mismatch from the comparison results of window A and window B, as set in ADCMPCR.CMPAB[1:0].
- Note: The comparison result of window A is the logical addition of the comparison results of the comparison target channels of window A. The comparison results of window A and B are updated by each A/D conversion, and are kept even when single scan ends. To clear the comparison results to 0, set ADCMPCR.CMPAE and ADCMPCR.CMPBE to 0.

35.3.5.3 Restrictions on the compare function

The following restrictions apply to the compare function:

- The compare function cannot be used together with the self-diagnosis function or double trigger mode. The compare function is not available for ADDR, ADDBLDR, ADDBLDRA, and ADDBLDRB.
- Specify single scan mode when using match/mismatch event outputs
- When the temperature sensor or internal reference voltage is selected for window A, window B operations are disabled
- When the temperature sensor or internal reference voltage is selected for window B, window A operations are disabled
- Setting the same channel for window A and window B is prohibited
- Set the reference voltage values so that the high-potential reference voltage value is equal to or larger than the low-potential reference voltage value.

35.3.6 Analog Input Sampling and Scan Conversion Time

Scan conversion can be activated either by a software trigger, a synchronous trigger (ELC), or an asynchronous trigger (ADTRG0). After the start-of-scanning-delay time (t_D) elapses, processing for disconnection detection assistance, and

processing of conversion for self-diagnosis all proceed, followed by processing for A/D conversion.

Figure 35.24 shows the scan conversion timing, in which scan conversion is activated by a software trigger or a synchronous trigger (ELC). Figure 35.25 shows the scan conversion timing, in which scan conversion is activated by an asynchronous trigger ADTRG0. The scan conversion time (t_{SCAN}) includes the start-of-scanning-delay time (t_D), disconnection detection assistance processing time (t_{DIS})*1, self-diagnosis A/D conversion processing time (t_{DIAG} and t_{DSD})*2, A/D conversion processing time (t_{CONV}), and end-of-scanning-delay time (t_{ED}).

The A/D conversion processing time (t_{CONV}) consists of input sampling time (t_{SPL}) and time for conversion by successive approximation (t_{SAM}). The sampling time (t_{SPL}) is used to charge sample-and-hold circuits in ADC14. If the sampling time is not sufficient because of the high impedance of an analog input signal source, or if the A/D conversion clock (ADCLK) is slow, sampling time can be adjusted using the ADSSTR register.

The time for conversion by successive approximation (t_{SAM}) is 37.5 ADCLK states with 14-bit accuracy and High-speed mode selected, 46.5 ADCLK states with 14-bit accuracy and low-current mode selected, 31.5 ADCLK states with 12-bit accuracy and High-speed mode selected, and 40.5 ADCLK states with 12-bit accuracy and low-current mode selected. Table 35.10 shows the times for conversion during scanning.

The scan conversion time (t_{SCAN}) in single scan mode for which the number of selected channels is n can be determined as follows:

$$t_{SCAN} = t_D + (t_{DIS} \times n) + t_{DIAG} + t_{DSD} + (t_{CONV} \times 3 \times n) + t_{ED}$$

The scan conversion time for the first cycle in continuous scan mode is t_{SCAN} for single scan minus t_{ED} . The scan conversion time for the second and subsequent cycles in continuous scan mode is fixed at $(t_{DIS} \times n) + t_{DIAG} + t_{DSD} + (t_{CONV} \times 3 \times n)$.

- Note 1. When disconnection detection assistance is not selected, $t_{DIS} = 0$.
Only when the temperature sensor or internal reference voltage is A/D-converted, the auto-discharge period of 15 ADCLK states is inserted.
- Note 2. When the self-diagnosis function is not used, $t_{DIAG} = 0$, $t_{DSD} = 0$.
- Note 3. When input sampling time (t_{SPL}) of all selected channels are the same, this element equals $t_{CONV} \times n$. If each channel has a different sampling time, this element equals sum of t_{SPL} and t_{SAM} for each selected channel.

Table 35.10 Times for conversion during scanning (in numbers of ADCLK and PCLKB cycles) (1 of 2)

| Parameter | | | Symbol | Type/Conditions | | | Unit |
|----------------------------------------------------|----------------------------------------------------------|----------------------------------------------------------------------------------------------------------------------|-----------|------------------------------------------------------------|----------------------|------------------|-------|
| | | | | Synchronous trigger*6 | Asynchronous trigger | Software trigger | |
| Scan start processing time*1, *2 | A/D conversion on group A under group A priority control | Group B is to be stopped. (Group A is activated after group B is stopped due to an A/D conversion source of group A) | t_D | 3 PCLKB + 6 ADCLK, 5 PCLKB + 3 ADCLK*5 | - | - | Cycle |
| | | Group B is not to be stopped (activation by an A/D conversion source of group A) | | 2 PCLKB + 4 ADCLK | - | - | |
| | A/D conversion when self-diagnosis is enabled | A/D conversion for self-diagnosis is to be started | | 2 PCLKB + 6 ADCLK | 4 PCLKB + 6 ADCLK | 6 ADCLK | |
| | Other than above | | | 2 PCLKB + 4 ADCLK | 2 PCLKB + 4 ADCLK | 4 ADCLK | |
| Disconnection detection assistance processing time | | | t_{DIS} | The setting of ADNDIS[3:0] (initial value = 00h) × ADCLK*3 | | | |

Table 35.10 Times for conversion during scanning (in numbers of ADCLK and PCLKB cycles) (2 of 2)

| Parameter | Symbol | Type/Conditions | | | Unit |
|---------------------------------------------------------------------------------------------------------|-----------------------------------------------------------------------------------|----------------------------------------|-------------------------------|-----------------------------------------------------------------------------------------|------|
| | | Synchronous trigger*6 | Asynchronous trigger | Software trigger | |
| Self-diagnosis conversion processing time*1 | Sampling time | t_{DIAG} | t_{SPL} | The setting of ADSSTR00 (initial value = 0Dh) × ADCLK*4 + 0.5 ADCLK*4 | |
| | Time for conversion by successive approximation | 12-bit conversion accuracy | t_{SAM} | 31.5 ADCLK at High-speed mode | |
| | | | | 40.5 ADCLK at Low-current mode | |
| | Wait time between self-diagnosis conversion end and analog channel sampling start | 14-bit conversion accuracy | t_{DED} | 37.5 ADCLK at High-speed mode | |
| | | | | 46.5 ADCLK at Low-current mode | |
| Wait time between last channel conversion end and self-diagnosis sampling start in continuous scan mode | t_{DSD} | 2 ADCLK | | | |
| | t_{DSD} | 2 ADCLK | | | |
| A/D conversion processing time*1 | Sampling time | t_{CONV} | t_{SPL} | The setting of ADSSTRn (n = 0 to 14, L, T, O) (initial value = 0Dh) × ADCLK + 0.5 ADCLK | |
| | Time for conversion by successive approximation | 12-bit conversion accuracy | t_{SAM} | 31.5 ADCLK at High-speed mode | |
| | | | | 40.5 ADCLK at Low-current mode | |
| | 14-bit conversion | t_{SAM} | 37.5 ADCLK at High-speed mode | | |
| 46.5 ADCLK at Low-current mode | | | | | |
| Scan end processing time*1 | t_{ED} | 1 PCLKB + 3 ADCLK, 2 PCLKB + 3 ADCLK*5 | | | |

- Note 1. See Figure 35.24 and Figure 35.25 for illustration of times t_D , t_{DIAG} , t_{CONV} , and t_{ED} .
- Note 2. This is the maximum time required from software writing or trigger input to starting A/D conversion.
- Note 3. The value is fixed to 0Fh (15 ADCLK) when the temperature sensor output or internal reference voltage is A/D-converted.
- Note 4. The sampling time setting must satisfy the electrical characteristics.
- Note 5. If ADCLK is faster than PCLKB (PCLKB to ADCLK frequency ratio = 1:2 or 1:4).
- Note 6. This does not include the time consumed in the path from timer output to trigger input.

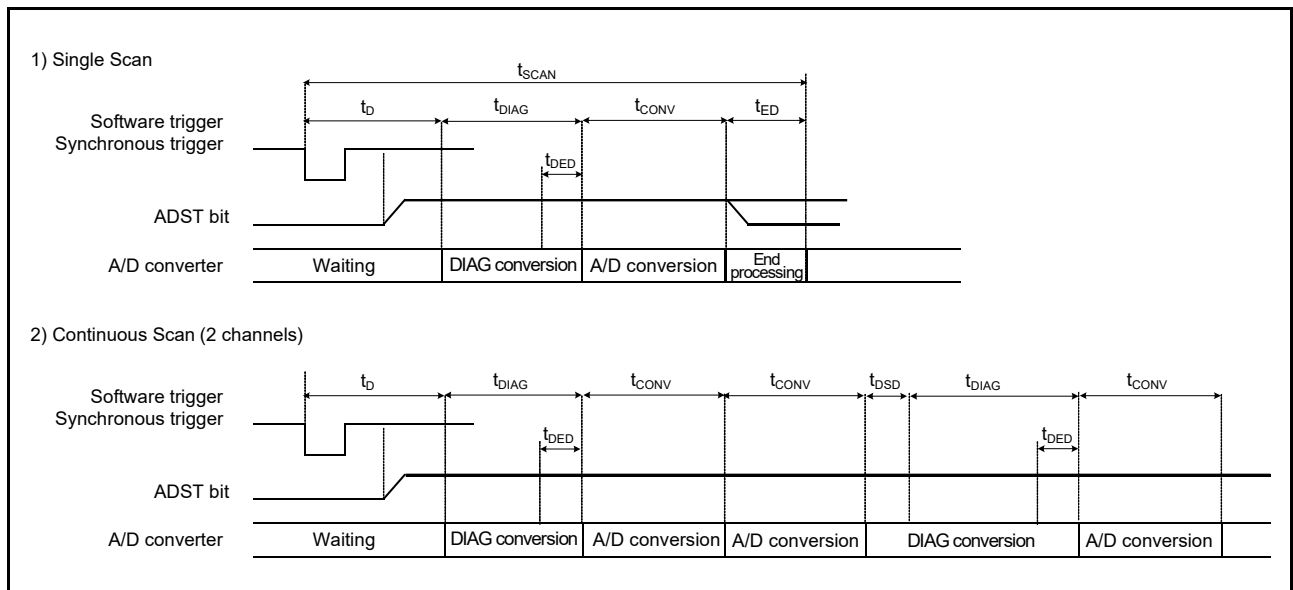


Figure 35.24 Scan conversion timing activated by software or synchronous trigger ELC input

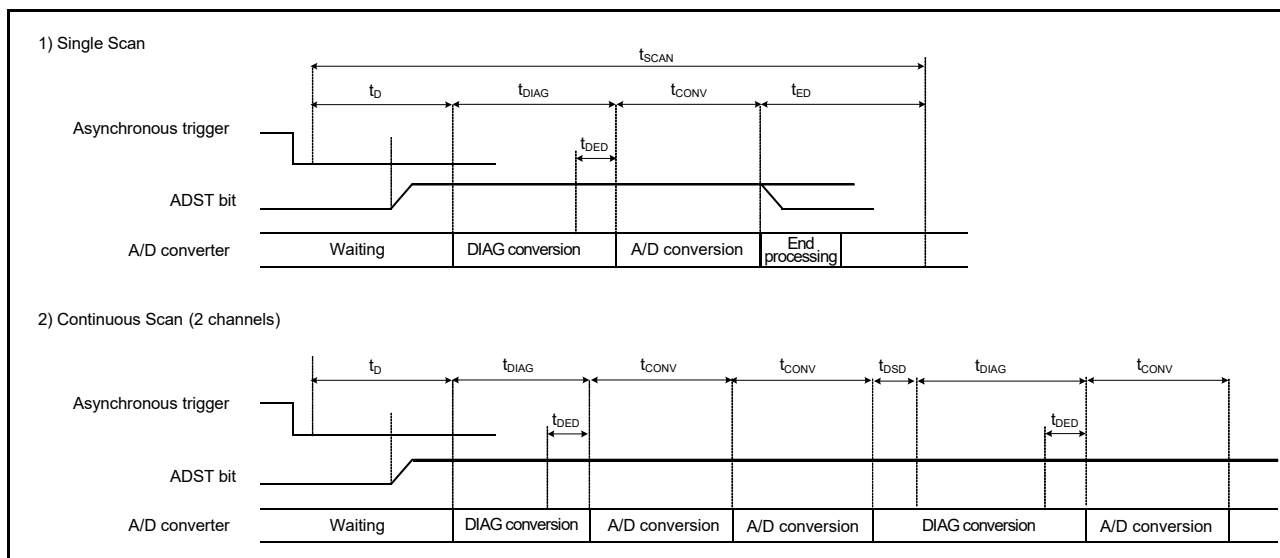


Figure 35.25 Scan conversion timing activated by asynchronous trigger input (ADTRG0)

35.3.7 Usage Example of A/D Data Register Automatic Clearing Function

Setting the ACE bit in ADCER to 1 automatically clears the A/D data registers (ADDRy, ADDR, ADDBLDR, ADDBLDRA, ADDBLDRB, ADTSDR, ADOCDR) to 0000h when the A/D data registers are read by the CPU, DTC, or DMAC. This function enables detection of update failures of the A/D data registers (ADDRy, ADDR, ADDBLDR, ADDBLDRA, ADDBLDRB, ADTSDR, ADOCDR). In the following examples, the function to automatically clear the ADDRy register is enabled and disabled:

- When the ACE bit in ADCER is 0 (automatic clearing is disabled), and for some reason if the A/D conversion result (0222h) is not written to the ADDRy register, the ADDRy value retains the old data (0111h). In addition, if this ADDRy value is read into a general-purpose register using an A/D scan end interrupt, the old data (0111h) can be saved in the general-purpose register. When checking whether there is an update failure, it is necessary to frequently save the old data in SRAM or in a general-purpose register.
- When the ACE bit in ADCER is 1 (automatic clearing is enabled), if ADDRy = 0111h is read by the CPU, DTC, or DMAC, ADDRy is automatically set to 0000h. If the A/D conversion result of 0222h cannot be transferred to ADDRy for some reason, the cleared data (0000h) remains as the ADDRy value. If this ADDRy value is read into a general-purpose register using an A/D scan end interrupt, 0000h is saved in the general-purpose register. Occurrence of an ADDRy update failure can be determined by checking that the read data value is 0000h.

35.3.8 A/D-Converted Value Addition/Average Mode

A/D-converted value addition/average mode can be used when A/D conversion of the analog input of the selected channels, A/D conversion of the temperature sensor output, or A/D conversion of the internal reference voltage is selected.

In A/D-converted value addition mode, the same channel is A/D-converted 1, 2, 3, 4, or 16^{*1} consecutive times and the sum of the converted values is stored in the data register. In A/D-converted value average mode, the same channel is A/D-converted 2 or 4 consecutive times and the mean of the converted values is stored in the data register. The use of the average of these results can improve the accuracy of A/D conversion, depending on the types of noise components that are present. This function, however, cannot always guarantee an improvement in A/D conversion accuracy.

The A/D-converted value addition/average mode can be specified for A/D conversion of the channel select analog input, temperature sensor output, or internal reference voltage.

Note 1. The addition count can be set to 16 only when 12-bit accuracy is selected.

35.3.9 Disconnection Detection Assist Function

The ADC14 incorporates the disconnection detection assist function to fix the charge for sampling capacitance to the specified state (VREFH0 or VREFL0) before the start of A/D conversion. This function enables disconnection detection in wiring of analog inputs.

Figure 35.26 shows the A/D conversion operation when the disconnection detection assist function is used. Figure 35.27 shows an example of disconnection detection when precharge is selected. Figure 35.28 shows an example of disconnection detection when discharge is selected.

If any of the following functions is used, the disconnection detection assist function must be disabled.

- The temperature sensor
- The internal reference voltage
- The A/D self-diagnosis.

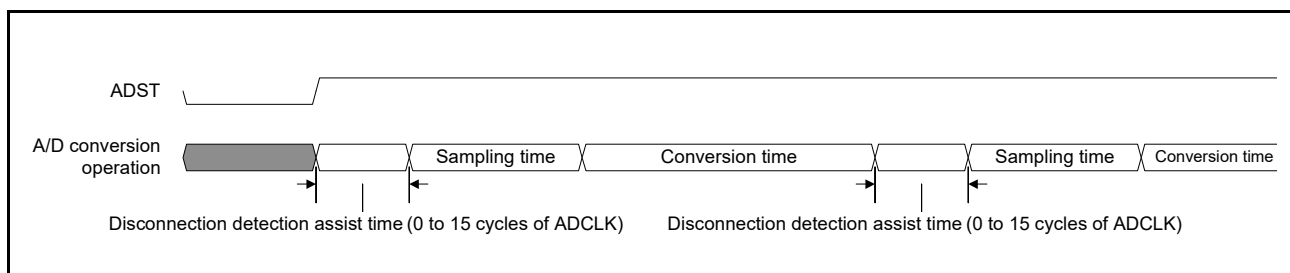


Figure 35.26 A/D conversion operation when disconnection detection assist function is used

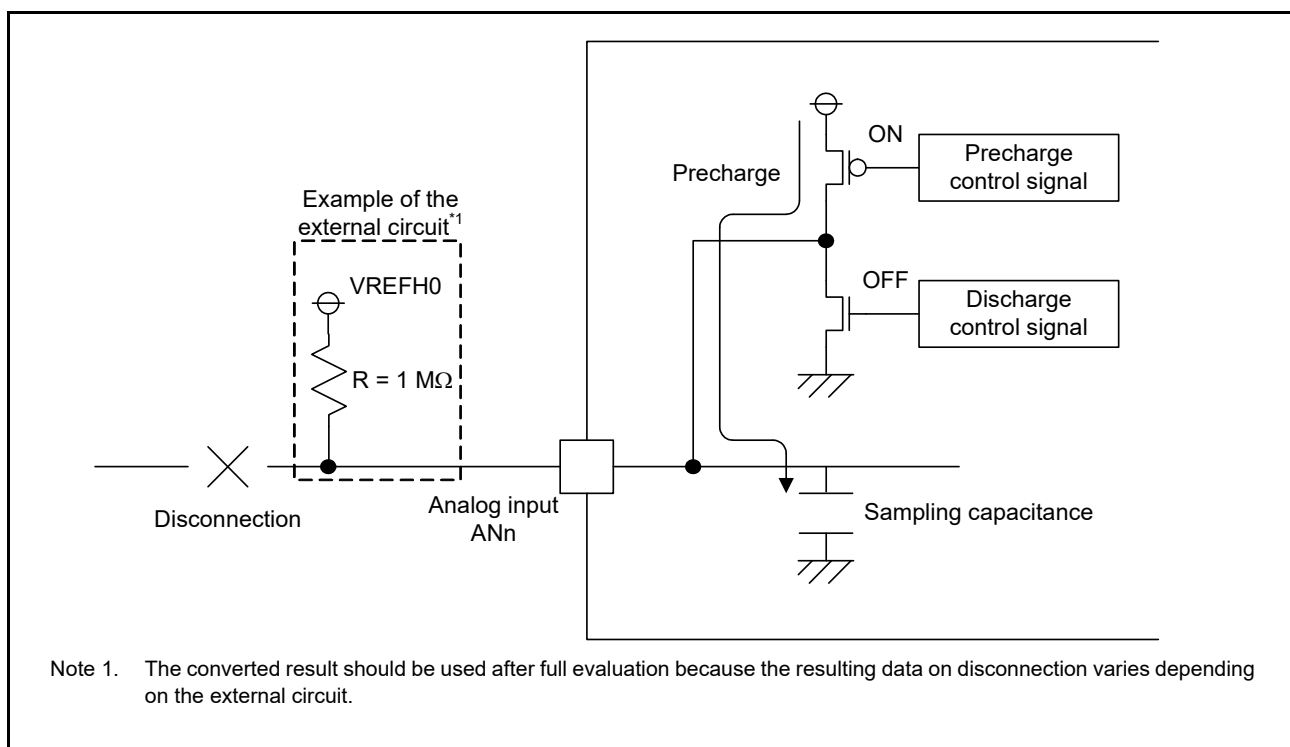


Figure 35.27 Example of disconnection detection when precharge is selected

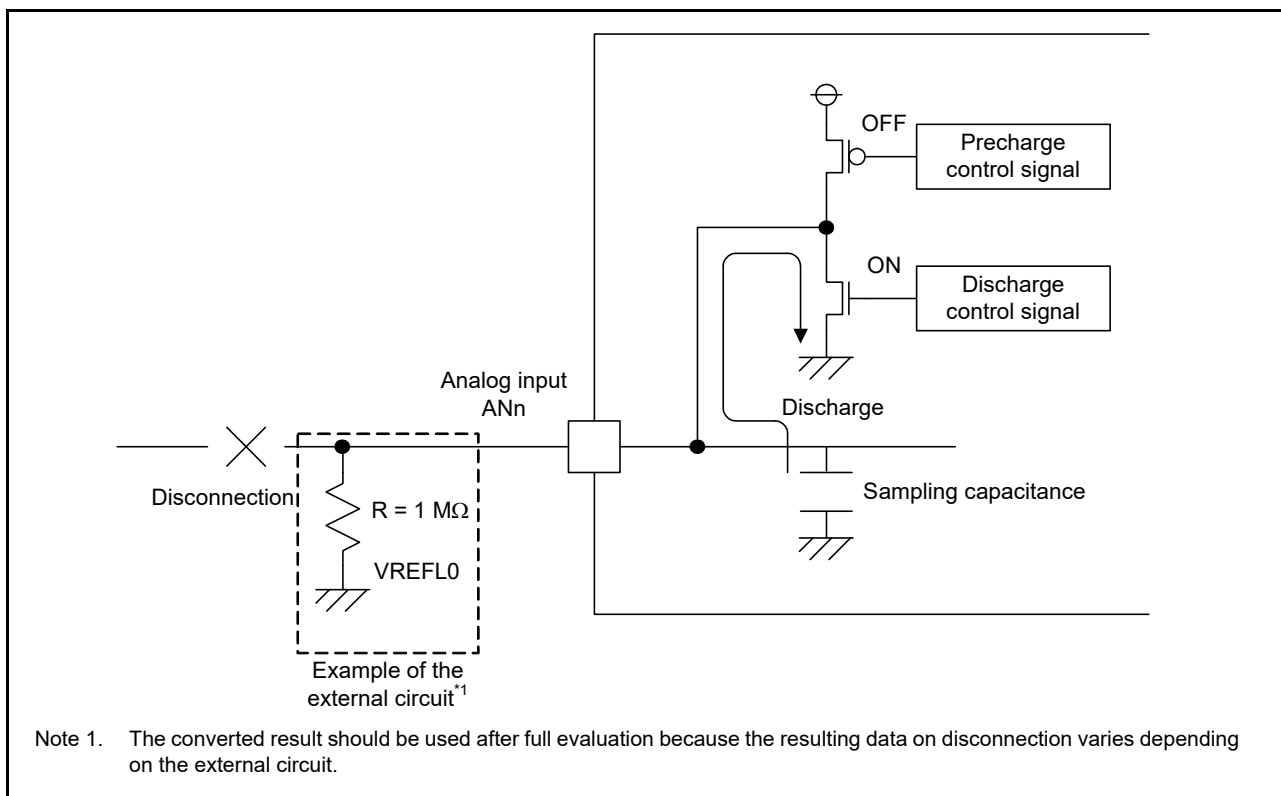


Figure 35.28 Example of disconnection detection when discharge is selected

35.3.10 Starting A/D Conversion with Asynchronous Trigger

The A/D conversion can be started by the input of an asynchronous trigger. To start the A/D conversion by an asynchronous trigger:

1. Set the pin function in the PmnPFS register.
2. Set the A/D Conversion Start Trigger Select bits (ADSTRGR.TRSA[5:0]) to 000000b.
3. Input a high-level signal to the asynchronous trigger (ADTRG0 pin).
4. Set both the ADCSR.TRGE and ADCSR.EXTRG bits to 1.

Figure 35.29 shows the timing of the asynchronous trigger input.

An asynchronous trigger cannot be selected in the A/D Conversion Start Trigger Select bits (ADSTRGR.TRSB[5:0]) for group B in group scan mode. For details on setting the pin function, see section 19, I/O Ports.

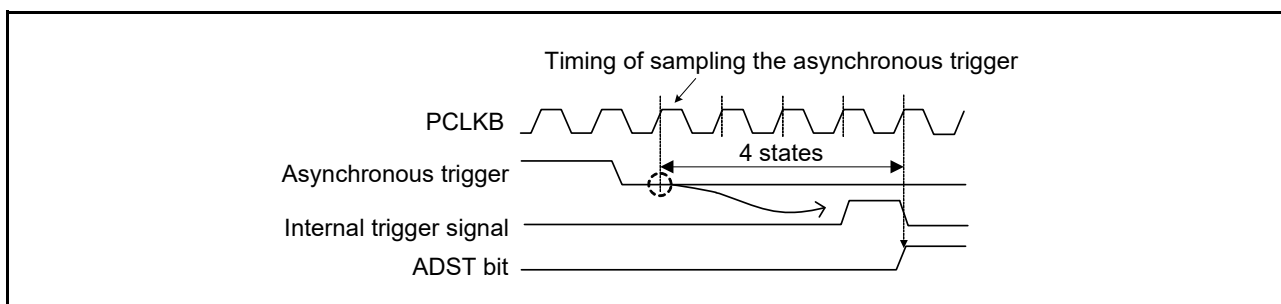


Figure 35.29 Asynchronous trigger input timing

35.3.11 Starting A/D Conversion with a Synchronous Trigger from Peripheral Module

The A/D conversion can be started by a synchronous trigger (ELC). To start the A/D conversion by a synchronous trigger:

1. Set the ADCSR.TRGE bit to 1.
2. Set the ADCSR.EXTRG bit to 0.
3. Select the relevant sources in the ADSTRGR.TRSA[5:0] and ADSTRGR.TRSB[5:0] bits.

35.4 Interrupt Sources and DTC or DMAC Transfer Requests

35.4.1 Interrupt Requests

The ADC14 can send scan end interrupt requests ADC140_ADI and ADC140_GBADI to the CPU. The ADC14 also generates the ADC140_CMPAI and ADC140_CMPBI interrupts to the CPU in response to matches with a comparison condition.

An ADC140_ADI interrupt is always generated. An ADC140_GBADI interrupt can be generated by setting the ADCSR.GBADIE bit to 1. Similarly, ADC140_CMPAI and ADC140_CMPBI interrupts can be generated by setting the ADCMPCR.CMPAIE and ADCMPCR.CMPBIE bits to 1.

In addition, the DTC or DMAC can be started when an ADC140_ADI or an ADC140_GBADI interrupt is generated. Using these interrupts to activate the DTC or DMAC to read the converted data enables continuous conversion without burdening the software.

Table 35.11 ADC14 interrupt sources and ELC events

| Operation | | | Interrupt request or ELC event | Interrupt request | DTC/DMAC activation | ELC event request | Function |
|----------------------|---------------------|----------------------------------------|--------------------------------|-------------------|---------------------|------------------------------------------------------------------------------------------|---------------------------------------------------------------------------------------|
| Scan mode | Double-trigger mode | Compare function window A and window B | | | | | |
| Single scan mode | deselect | deselect | ADC140_ADI | ✓ | ✓ | ✓ | ADC140_ADI is generated at the end of single scan |
| | | select | ADC140_ADI | ✓ | ✓ | ✓ | ADC140_ADI is generated at the end of single scan |
| | | | ADC140_CMPAI | ✓ | × | × | ADC140_CMPAI is generated in the match comparison condition of window A |
| | | | ADC140_CMPBI | ✓ | × | × | ADC140_CMPBI is generated in the match comparison condition of window B |
| | | | ADC140_WCMPPM | × | ✓ | ✓ | ADC140_WCMPPM is generated in the match conditions of the window A/B compare function |
| | | ADC140_WCMPUM | × | ✓ | ✓ | ADC140_WCMPUM is generated in the mismatch conditions of the window A/B compare function | |
| | select | deselect | ADC140_ADI | ✓ | ✓ | ✓ | ADC140_ADI is generated at the end of scans in even-numbered times |
| Continuous scan mode | deselect | deselect | ADC140_ADI | ✓ | ✓ | ✓ | ADC140_ADI is generated at the end of all the selected channels scan |
| | | select | ADC140_CMPAI | ✓ | × | × | ADC140_CMPAI is generated in the match comparison condition of window A |
| | | ADC140_CMPBI | ✓ | × | × | ADC140_CMPBI is generated in the match comparison condition of window B | |
| Group scan mode | deselect | deselect | ADC140_ADI | ✓ | ✓ | ✓ | ADC140_ADI is generated at the end of group A scan |
| | | | ADC140_GBADI | ✓ | ✓ | × | ADC140_GBADI dedicated to group B is generated at the end of group B scan |
| | | select | ADC140_ADI | ✓ | ✓ | ✓ | ADC140_ADI is generated at the end of group A scan |
| | | | ADC140_GBADI | ✓ | ✓ | × | ADC140_GBADI dedicated to group B is generated at the end of group B scan |
| | ADC140_CMPAI | | ✓ | × | × | ADC140_CMPAI is generated in the match comparison condition of window A | |
| | | ADC140_CMPBI | ✓ | × | × | ADC140_CMPBI is generated in the match comparison condition of window B | |
| | select | deselect | ADC140_ADI | ✓ | ✓ | ✓ | ADC140_ADI is generated at the end of group A scans in even-numbered times |
| ADC140_GBADI | | | ✓ | ✓ | × | ADC140_GBADI dedicated to group B is generated at the end of Group B scan | |

For details on DTC settings, see [section 17, Data Transfer Controller \(DTC\)](#), and for details on DMAC settings, see [section 16, DMA Controller \(DMAC\)](#).

35.5 Event Link Function

35.5.1 Event Output to the ELC

The ELC uses the ADC140_ADI interrupt request signal as an event signal, enabling link operation for the preset module. The ADC140_GBADI interrupt and ADC140_CMPAI/ADC140_CMPBI interrupts cannot be used as event signals. For details, see [Table 35.11, ADC14 interrupt sources and ELC events](#).

35.5.2 ADC14 Operation through an Event from the ELC

The ADC14 can start A/D conversion by the preset event signal specified in the ELSRn settings of the ELC as follows:

- Select the ELC_AD00 signal in the ELC.ELSR8 register
- Select the ELC_AD01 signal in the ELC.ELSR9 register.

If an ELC_AD00 or ELC_AD01 event occurs during A/D conversion, the event is disabled.

35.6 Selecting Reference Voltage

The ADC14 can select VREFH0 or AVCC0 as the high-potential reference voltage, and VREFL0 or AVSS0 as the internal reference voltage and the low-potential reference voltage. Set these before starting A/D conversion. For details on this setting, see the ADHVREFCNT register description.

35.7 A/D Conversion Procedure when Selecting Internal Reference Voltage as High-Potential Reference Voltage

This section describes the A/D conversion procedure after selecting the internal reference voltage as the high-potential reference voltage. In this case, A/D conversion is possible for channels AN000 to AN014, AN016 to AN025, but A/D conversion of the internal reference voltage and the temperature sensor output is prohibited.

The A/D conversion procedure is as follows:

1. Set ADHVREFCNT.HVSEL[1:0] to 11b to discharge the high-potential reference voltage path in ADC14.
2. Wait for a 1 μ s discharge period in software.
3. Set ADHVREFCNT.HVSEL[1:0] to 10b to select internal reference voltage as the high-potential reference voltage.

Note: The ADC14 has a protection function that disables selection of internal reference voltage (ADHVREFCNT.HVSEL[1:0] = 10b) without discharge (ADHVREFCNT.HVSEL[1:0] = 11b) from the selection of VREFH0 (ADHVREFCNT.HVSEL[1:0] = 01b) or AVCC0 (ADHVREFCNT.HVSEL[1:0] = 00b). If the internal reference voltage is selected without discharge, discharge is set forcibly. Select the internal reference voltage again after 1 μ s.

4. Wait until the internal reference voltage is stabilized (for 5 μ s) in the software, and then perform A/D conversion.

Figure 35.30 shows a waveform for the procedure to select internal reference voltage as the high-potential reference voltage.

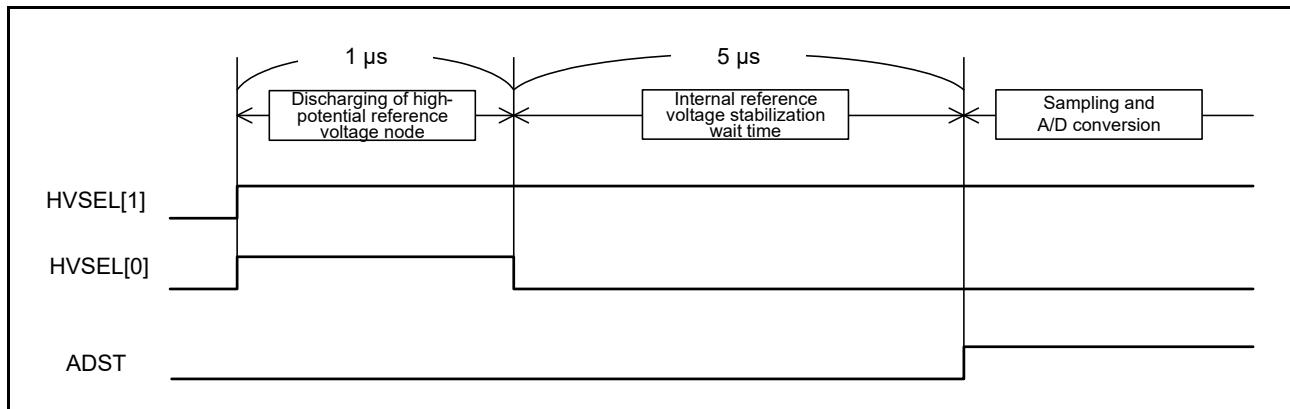


Figure 35.30 Procedure to select internal reference voltage as high-potential reference voltage

35.8 Usage Notes

35.8.1 Notes on Reading Data Registers

The following registers must be read in halfword units:

- A/D Data Registers
- A/D Data Duplexing Register A
- A/D Data Duplexing Register B
- A/D Temperature Sensor Data Register
- A/D Internal Reference Voltage Register
- A/D Self-diagnosis Data Register.

If a register is read twice in byte units, that is, the upper byte and lower byte are separately read, the A/D-converted value initially read might conflict with the subsequent A/D-converted value read. To prevent this, do not read the data registers in byte units.

35.8.2 Notes on Stopping A/D Conversion

To stop A/D conversion when an asynchronous trigger or a synchronous trigger is selected as the condition for starting A/D conversion, follow the procedure in Figure 35.31.

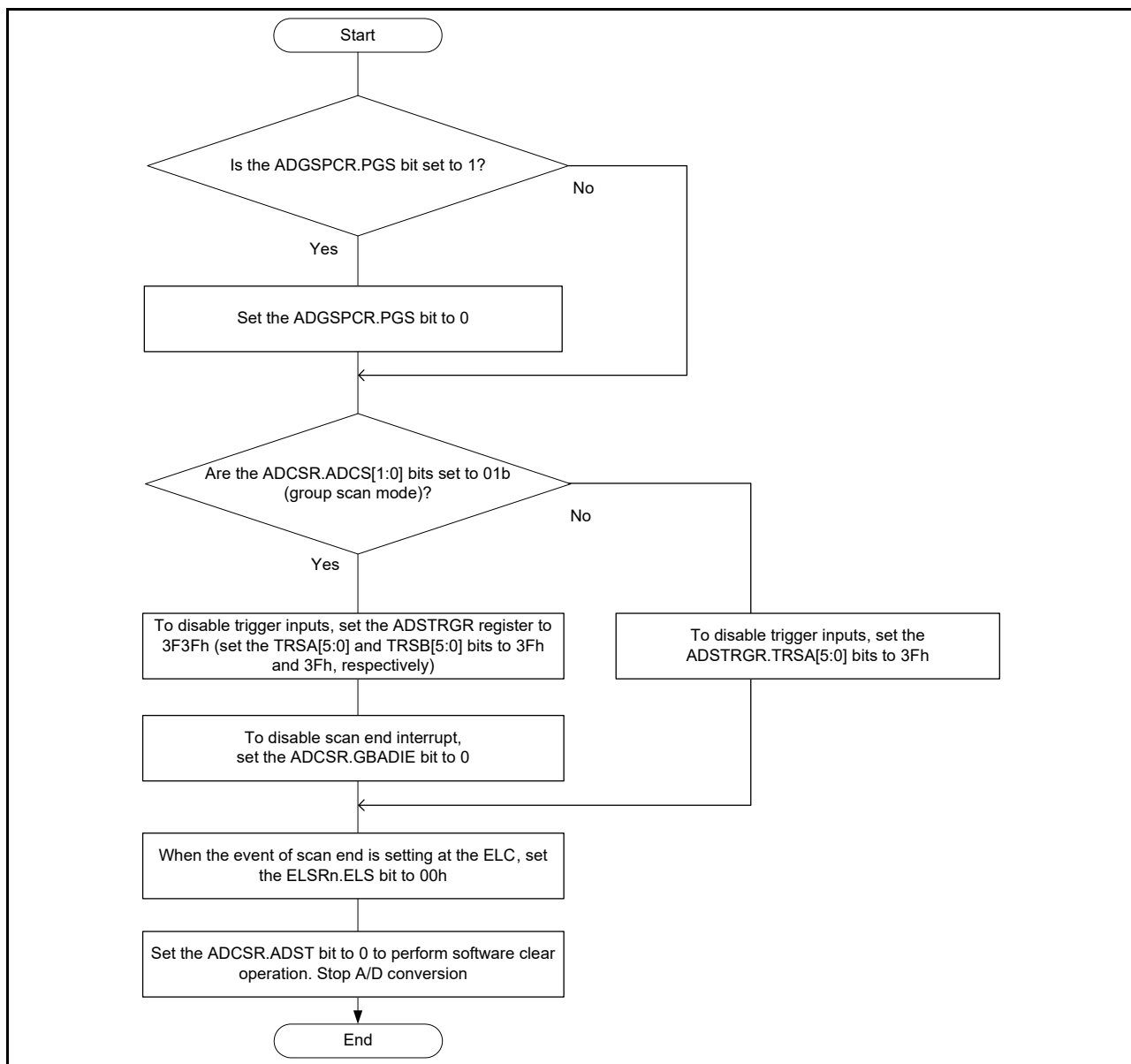


Figure 35.31 Procedure for clearing the ADCSR.ADST bit through software

35.8.3 A/D Conversion Restarting Timing and Termination Timing

A maximum of 6 ADCLK cycles is required for the for the idle analog unit in the ADC14 to restart on setting the ADST bit in ADCSR to 1. A maximum of 3 ADCLK cycles is required for the operating analog unit in the ADC14 to be terminated on setting the ADST bit in ADCSR to 0.

35.8.4 Restrictions on Scan End Interrupt Handling

When scanning the same analog input twice using any trigger, the first A/D-converted data is overwritten with the second A/D-converted data. This occurs when the CPU does not complete the reading of the A/D-converted data by the time the A/D conversion of the first analog input for the second scan ends after the first scan end interrupt is generated.

35.8.5 Settings for the Module-Stop State

The Module Stop Control Register can enable or disable the ADC14 operation. The ADC14 is initially stopped after a reset. Releasing the module-stop state enables access to the registers. After release from the module-stop state, wait for at least 1 μ s before starting A/D conversion. For details, see [section 10, Low Power Modes](#).

35.8.6 Restrictions on Entering Low Power States

Before entering the module-stop state or Software Standby mode, be sure to stop A/D conversion. Set the ADCSR.ADST bit to 0 and secure a period of time until the analog unit of the ADC14 stops. Follow the procedure shown in [Figure 35.31](#) to clear the ADCSR.ADST bit through software. Then, wait for 3 ADCLK clock cycles before entering the module-stop state or Software Standby mode.

35.8.7 Error in Absolute Accuracy when Disconnection Detection Assistance is in Use

Using the disconnection detection assistance function leads to an error in absolute accuracy of the ADC14. This error arises because an erroneous voltage is input to the analog input pins because of the resistive voltage division between the pull-up or pull-down resistor (R_p) and the resistance of the signal source (R_s). This error in absolute accuracy is calculated using the following formula.

Maximum error in absolute accuracy (LSB) = $4095 \times R_s / (R_s + R_p)$

Only use disconnection detection assistance after thorough evaluation.

35.8.8 ADHSC Bit Rewriting Procedure

Before changing the A/D Conversion Select bit (ADCSR.ADHSC) from 0 to 1 or from 1 to 0, the ADC14 must be in the standby state. Use the following procedure to modify the ADCSR.ADHSC bit. After clearing the Sleep bit (ADHVREFCNT.ADSL P) to 0, wait for at least 1 μ s and then start A/D conversion.

The procedure to modify the ADCSR.ADHSC bit is as follows:

1. Set the Sleep bit (ADHVREFCNT.ADSL P) to 1.
2. Wait for at least 0.2 μ s, and then modify the A/D Conversion Select bit (ADCSR.ADHSC).
3. Wait for at least 4.8 μ s, and then clear the Sleep bit (ADHVREFCNT.ADSL P) to 0.

Note: Setting the Sleep bit (ADHVREFCNT.ADSL P) to 1 is prohibited except when modifying the A/D Conversion Select bit (ADCSR.ADHSC).

Note: Do not reset the Sleep bit when the A/D Conversion Select bit (ADCSR.ADHSC) is 1. After this bit (ADCSR.ADHSC) is set to 0 or the operating mode transitions to module-stop mode, reset the Sleep bit according to the ADCSR.ADHSC bit rewriting procedure.

35.8.9 Notes on Operating Modes and Status Bits

The following is a list of notes on operating modes and status bits:

- Select the voltage values in self-diagnosis (ADCER.DIAGVAL[1:0]) after setting ADCER.DIAGLD to 1
- Double trigger mode operates as the first scan after setting ADCSR.DBLE to 1 from 0
- The status monitor bits (MONCMPA, MONCMPB, MONCOMB) in the compare function are initialized after ADCMPCR.CMPAE and ADCMPCR.CMPBE bits are set to 0.

35.8.10 Notes on Board Design

The board should be designed so that digital circuits and analog circuits are separated from each other as far as possible. In addition, the digital circuit signal lines and analog circuit signal lines should not intersect or be placed near each other. If these rules are not followed, noise can occur on analog signals and A/D conversion accuracy is affected. The analog input pins (AN000 to AN014, AN016 to AN025), reference power supply pin (VREFH0), reference ground pin (VREFL0), and analog power supply (AVCC0) should be separated from digital circuits using the analog ground (AVSS0). The analog ground (AVSS0) should be connected to a stable digital ground (VSS) on the board (single-point ground plane connection).

35.8.11 Notes on Noise Reduction

To prevent the analog input pins (AN000 to AN014, AN016 to AN025) from being destroyed by abnormal voltage such as excessive surges, insert a capacitor between AVCC0 and AVSS0 and between VREFH0 and VREFL0. Additionally, connect a protection circuit to protect the analog input pins (AN000 to AN014, AN016 to AN025) as shown in [Figure 35.32](#).

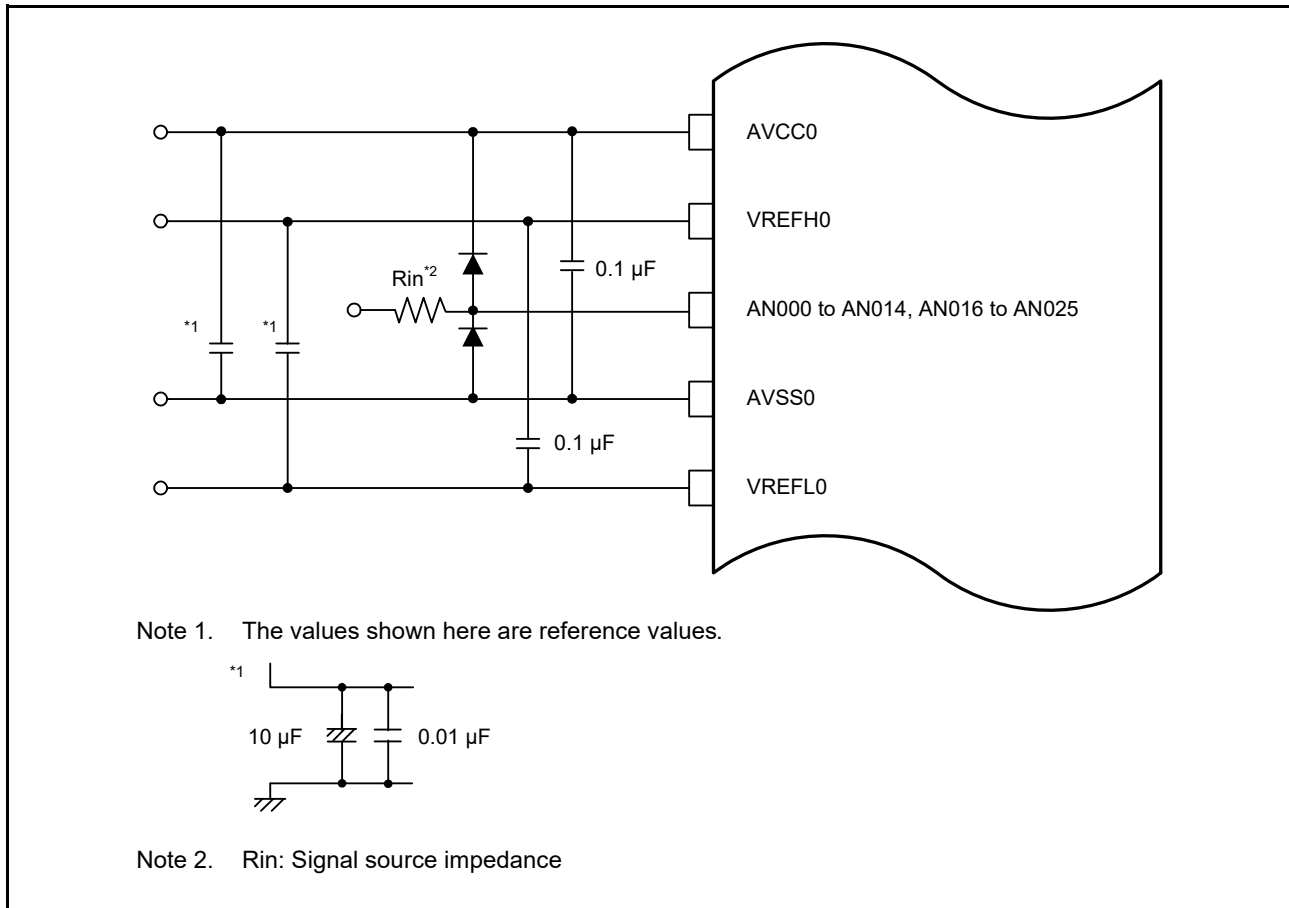


Figure 35.32 Example protection circuit for analog inputs

35.8.12 Port Setting when Using the 14-bit A/D Converter Input

When using the high precision channels, do not use PORT0 as general I/O, IRQ2, IRQ3 inputs, and TS transmission. Renesas recommends that you do not use the digital output that is also used as the A/D analog input, if normal precision channels are used. If the digital output that is also used as the A/D analog input is used for output signals, perform A/D conversion several times, eliminate the maximum and minimum values, and obtain the average of the other results.

35.8.13 Relationship between the ADC14, OPAMP, and ACMPLP

[Table 35.12](#) lists the A/D conversion targets that should not be selected as an OPAMP and ACMPLP input during A/D conversion.

Table 35.12 OPAMP and ACMPLP pins that should not be selected during A/D conversion (1 of 2)

| Target of 14-bit A/D conversion | OPAMP | ACMPLP |
|---------------------------------|-------|--------|
| AN000 | AMP0+ | - |
| AN001 | AMP0- | - |
| AN005 | AMP2- | - |
| AN006 | AMP2+ | - |

Table 35.12 OPAMP and ACMPLP pins that should not be selected during A/D conversion (2 of 2)

| Target of 14-bit A/D conversion | OPAMP | ACMPLP |
|---------------------------------|-------|---------|
| AN007 | AMP1- | - |
| AN008 | AMP1+ | - |
| AN011 | AMP3+ | - |
| AN012 | AMP3- | - |
| AN016 | - | CMPREF1 |
| AN017 | - | CMPIN1 |
| AN018 | - | CMPREF0 |
| AN019 | - | CMPREF1 |
| AN020 | - | CMPIN1 |
| AN021 | - | CMPREF0 |
| AN022 | - | CMPIN0 |
| AN023 | - | CMPIN0 |

35.8.14 Notes on Canceling Software Standby Mode

After transitioning from Software Standby mode to Normal mode, wait for 1 μ s before starting A/D conversion.

36. 12-Bit D/A Converter (DAC12)

36.1 Overview

The MCU provides a 12-bit D/A converter (DAC12).

Table 36.1 lists the DAC12 specifications, Figure 36.1 shows a block diagram, and Table 36.2 lists the I/O pins.

Table 36.1 DAC12 specifications

| Parameter | Specifications |
|-----------------------------------------------|--------------------------------------------------------------------------------------------------------------------------------------------------------------------------------------------------------------------------------------------------------------------|
| Resolution | 12 bits |
| Output channels | 1 channel |
| Interference reduction between analog modules | Reduces interference between D/A and A/D conversion circuits. D/A-converted data update timing is controlled by the synchronous D/A conversion enable input signal from the ADC14, which reduces the effect of DAC12 inrush current on A/D conversion accuracy. |
| Module-stop function | Module-stop state can be set to reduce power consumption |
| Event link function (input) | DA0 conversion can be started on input of an event signal |

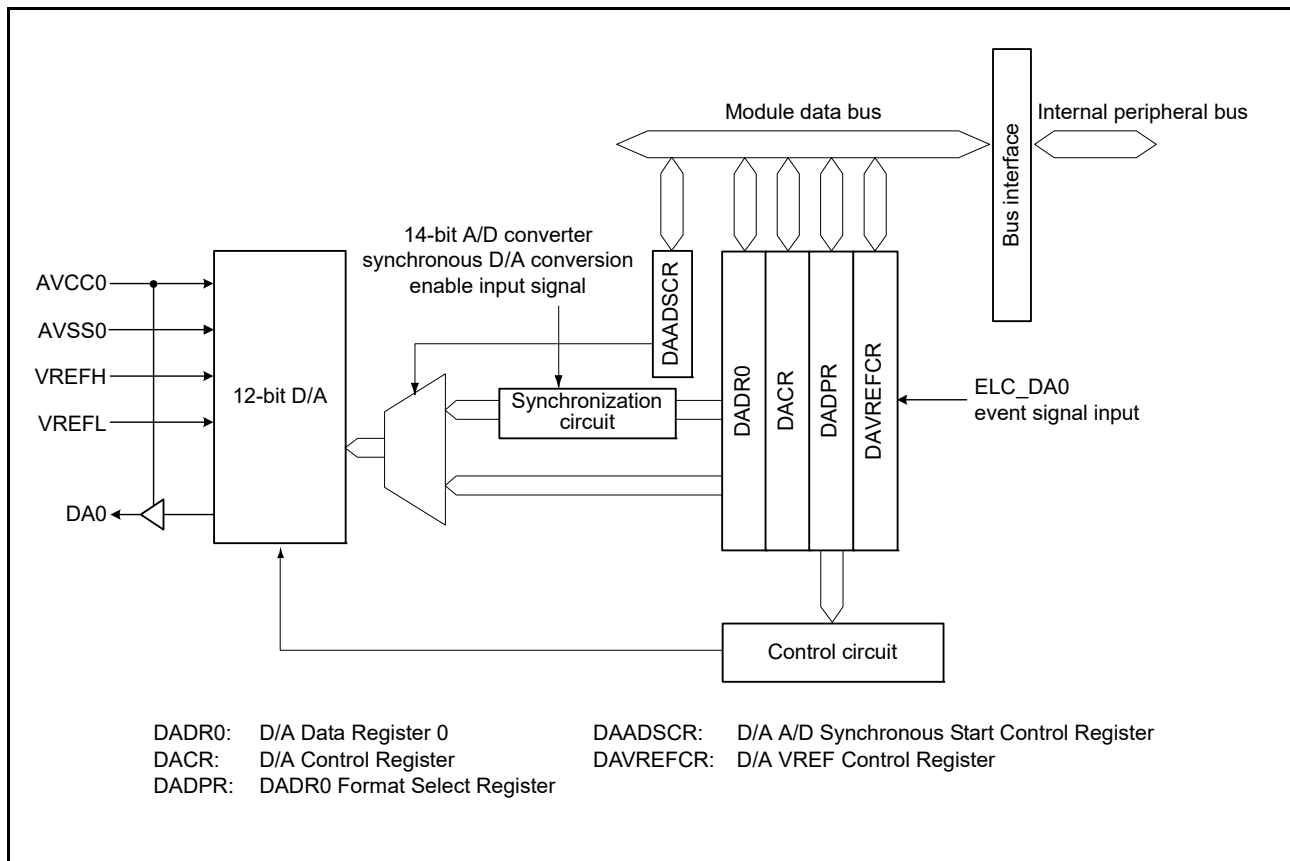


Figure 36.1 DAC12 block diagram

Table 36.2 DAC12 I/O pins (1 of 2)

| Pin name | I/O | Function |
|----------|-------|---------------------------------------------------------------------------------------------------------------------|
| AVCC0 | Input | Analog power supply pin for ADC14, DAC12, comparator, and OPAMP. Connect to VCC when these modules are not used. |
| AVSS0 | Input | Analog ground pin for ADC14, DAC12, comparator, and OPAMP. Connect to VSS when these modules are not used. |

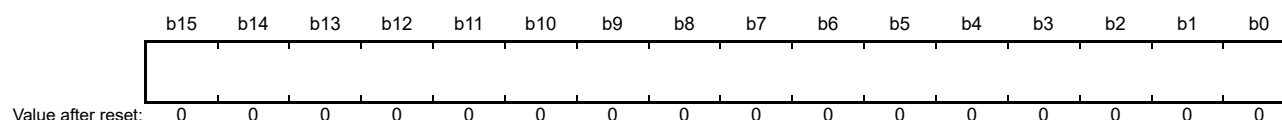
Table 36.2 DAC12 I/O pins (2 of 2)

| Pin name | I/O | Function |
|----------|--------|---------------------------------------------------|
| VREFH | Input | Analog reference top voltage supply pin for DAC12 |
| VREFL | Input | Analog reference ground pin for DAC12 |
| DA0 | Output | Channel 0 analog output pin |

36.2 Register Descriptions

36.2.1 D/A Data Register 0 (DADR0)

Address(es): [DAC12.DADR0 4005 E000h](#)

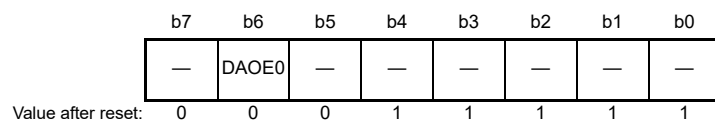


The DADR0 register is a 16-bit read/write register that stores data for D/A conversion. When an analog output is enabled, the values in DADR0 are converted and output to the analog output pins.

12-bit data can be formatted as left- or right-justified by setting the DADPR.DPSEL bit. In right-justified format (DADPR.DPSEL = 0), the lower 12 bits, [11:0], is valid. In left-justified format (DADPR.DPSEL = 1), the upper 12 bits [15:4], are valid.

36.2.2 D/A Control Register (DACR)

Address(es): [DAC12.DACR 4005 E004h](#)



| Bit | Symbol | Bit name | Description | R/W |
|----------|-----------------------|---------------------|---------------------------------------------------------------------------------------------|-----|
| b4 to b0 | — | Reserved | These bits are read as 1. The write value should be 1. | R/W |
| b5 | — | Reserved | This bit is read as 0. The write value should be 0. | R/W |
| b6 | DAOE0 | D/A Output Enable 0 | 0: Disable analog output of channel 0 (DA0) 1: Enable D/A conversion of channel 0 (DA0). | R/W |
| b7 | — | Reserved | This bit is read as 0. The write value should be 0. | R/W |

Only set this register while the ADC14 is halted when the DAADSCR.DAADST bit is 1 (interference reduction between D/A and A/D conversion is enabled). Only set DACR while the ADCSR.ADST bit is 0 and after selecting the software trigger as the ADC14 trigger to securely stop the ADC14.

[DAOE0 bit \(D/A Output Enable 0\)](#)

The DAOE0 bit controls the D/A conversion and analog output.

When the interference reduction between D/A and A/D conversions is enabled (DAADSCR.DAADST = 1), only set the DAOE0 bit while the ADC14 is halted (ADCSR.ADST = 0) and the software trigger is selected as the ADC14 trigger to securely stop the ADC14.

The event link function can be used to set the DAOE0 bit to 1. The DAOE0 bit becomes 1 when the event specified in the ELSR12 register for the ELC_DA0 event occurs, and output of the D/A conversion results starts.

36.2.3 DADR0 Format Select Register (DADPR)

Address(es): DAC12.DADPR 4005 E005h

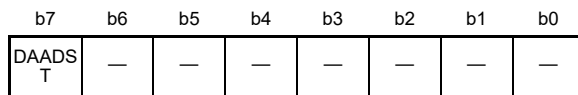


Value after reset: 0 0 0 0 0 0 0 0

| Bit | Symbol | Bit name | Description | R/W |
|----------|--------|---------------------|--------------------------------------------------------|-----|
| b6 to b0 | — | Reserved | These bits are read as 0. The write value should be 0. | R/W |
| b7 | DPSEL | DADR0 Format Select | 0: Right-justified format 1: Left-justified format. | R/W |

36.2.4 D/A A/D Synchronous Start Control Register (DAADSCR)

Address(es): DAC12.DAADSCR 4005 E006h



Value after reset: 0 0 0 0 0 0 0 0

| Bit | Symbol | Bit name | Description | R/W |
|----------|--------|--------------------------------|---------------------------------------------------------------------------------------------------------------------------------------------------------------------------------------------------------------------------------------------------|-----|
| b6 to b0 | — | Reserved | These bits are read as 0. The write value should be 0. | R/W |
| b7 | DAADST | D/A A/D Synchronous Conversion | 0: Do not synchronize DAC12 operation with ADC14 operation (disable interference reduction between D/A and A/D conversion) 1: Synchronize DAC12 operation with ADC14 operation (enable interference reduction between D/A and A/D conversion). | R/W |

To reduce interference between the D/A and A/D conversion, the DAADSCR register switches on or off the synchronization of the D/A conversion with the synchronous D/A conversion enable input signal from the ADC14 trigger.

Only set this register while the ADC14 is halted (ADCSR.ADST = 0) and the software trigger is selected as the ADC14 trigger.

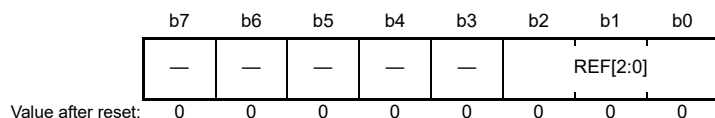
DAADST bit (D/A A/D Synchronous Conversion)

Setting the DAADST bit to 0 allows the DADR0 register value to be converted into analog data at any time. Setting the DAADST bit to 1 allows synchronous D/A conversion with the synchronous D/A conversion enable input signal from ADC14. When the DADR0 register value is modified, D/A conversion does not start until the ADC14 completes A/D conversion.

Only set this bit while the ADC14 is halted (ADCSR.ADST = 0) and the software trigger is selected as the ADC14 trigger to securely stop the ADC14. The event link function cannot be used when the DAADST bit is set to 1. Stop the event link function by setting the ELSR12 register of the ELC. The setting of the DAADST bit is shared by channels 0 and 1 of the DAC12.

36.2.5 D/A VREF Control Register (DAVREFCR)

Address(es): DAC12.DAVREFCR 4005 E007h



| Bit | Symbol | Bit Name | Description | R/W |
|----------|----------|------------------------------|----------------------------------------------------------------------------------------------------------------------------------------------------------------------------------------------------|-----|
| b2 to b0 | REF[2:0] | D/A Reference Voltage Select | b2 b0 0 0 0: No reference voltage selected 0 0 1: AVCC0/AVSS0 selected 0 1 1: Internal reference voltage/AVSS0 selected 1 1 0: VREFH/VREFL selected. Other settings are prohibited. | R/W |
| b7 to b3 | — | Reserved | These bits are read as 0. The write value should be 0. | R/W |

The D/A VREF Control Register (DAVREFCR) selects the reference voltage of the DAC12.

REF[2:0] bits (D/A Reference Voltage Select)

The REF[2:0] bits select the reference voltage of the DAC12. When changing the value of these bits, write 000b to the DAVREFCR.REF[2:0] bits in advance. Read the REF[2:0] bits after changing their value, and confirm that they are changed. When selecting the internal reference voltage, set the DADR0 register to 0000h and discharge the VREF path before switching the voltage. As the path remains discharged after the reset is released, the internal reference voltage can be selected. For details on discharging, see [section 36.3.2, Notes on Using the Internal Reference Voltage as the Reference Voltage](#). Do not rewrite this register during A/D conversion using the ADC14. If this register is rewritten, the accuracy of A/D conversion is not guaranteed. When the internal reference voltage is selected, the voltage generation circuit operates and current increases. This circuit does not automatically turn off even when the MCU enters Software Standby mode with the internal reference voltage selected.

36.3 Operation

When the DAOE0 bit in the DACR register is set to 1, the DAC12 is enabled and the conversion result is output.

The following example shows D/A conversion on channel 0. [Figure 36.2](#) shows the timing of this operation.

1. Set the data for D/A conversion in the DADPR.DPSEL bit and the DADR0 register.
2. Set the DACR.DAOE0 bit to 1 to start D/A conversion. The conversion result is output from the analog output pin DA0 after the conversion time tDCONV elapses. The conversion result continues to be output until DADR0 is written to again or the DAOE0 bit is set to 0. The output value (reference) is expressed by the following formula:

$$\frac{\text{Setting in DADR0}}{4096} \times \text{Reference voltage}$$

3. To start another conversion, write another value to DADR0. The conversion result is output after the conversion time tDCONV elapses.
When the DAADSCR.DAADST bit is 1 (interference reduction between D/A and A/D conversion is enabled), a maximum of one A/D conversion time is required for D/A conversion to start. When ADCLK is faster than the peripheral clock, a longer time than one A/D conversion time might be required.
4. To disable analog input, set the DAOE0 bit to 0.

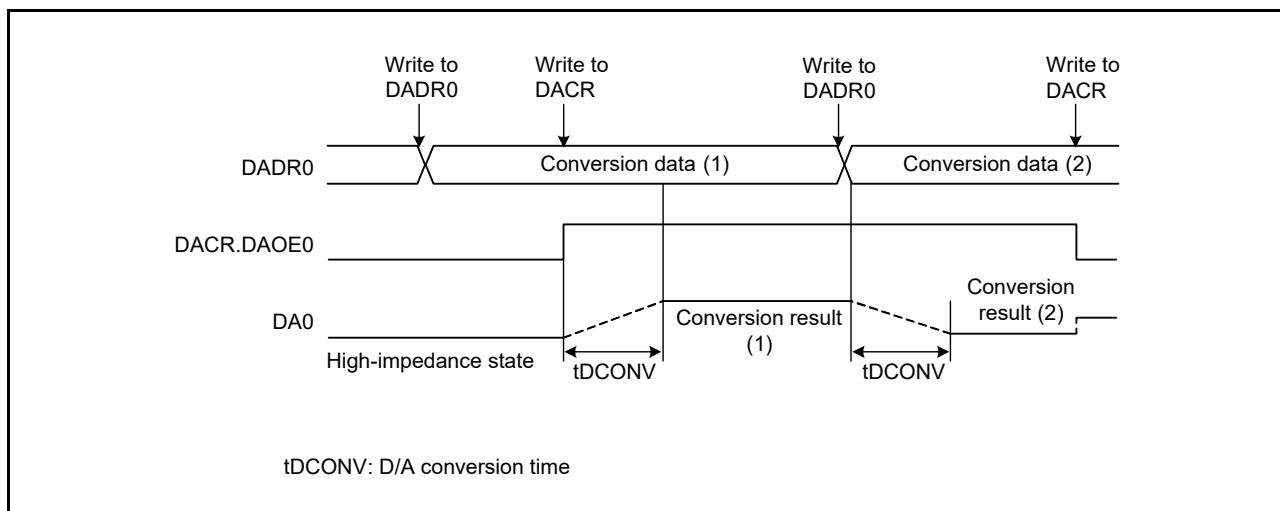


Figure 36.2 Example DAC12 operation

36.3.1 Reducing Interference between D/A and A/D Conversion

When D/A conversion starts, the DAC12 generates inrush current. Because the DAC12 and ADC14 share the same analog power supply, the generated inrush current can interfere with ADC14 operation.

While the DAADSCR.DAADST bit is 1, D/A conversion does not start immediately on updating the DADR0 register.

Instead:

- If the DADR0 register data is modified while the ADC14 is halted, D/A conversion starts in 1 PCLKB cycle
- If the DADR0 register setting is modified when the ADC14 is in progress, D/A conversion starts on A/D conversion completion. Therefore, it takes up to one A/D conversion time period for the DADR0 register data update to reflect as the D/A conversion circuit output. Until the D/A conversion completes, the DADR0 register value does not correspond to the analog output value.

When the DAADSCR.DAADST bit is 1, it is not possible to check through any software means whether the DADR0 register value was D/A converted.

The following sequence provides an example of D/A conversion, in which the DAC12 is synchronized with the ADC14. [Figure 36.3](#) shows the timing of this operation.

To perform D/A conversion in synchronization with ADC14:

1. Confirm that the ADC14 is halted and set the DAADSCR.DAADST bit to 1.
 2. Confirm that the ADC14 is halted and set the DACR.DAOE0 bit to 1.
 3. Set the DADR0 register. If ADCLK is faster than the peripheral clock, D/A conversion might be delayed for longer than one A/D conversion time.
- If the ADC14 is halted (ADCSR.ADST bit = 0) when the DADR0 register is modified, D/A conversion starts in 1 PCLKB cycle.
 - If the ADC14 is in progress (ADCSR.ADST bit = 1) when the DADR0 register is modified, D/A conversion starts on A/D conversion completion. If the DADR0 register is modified twice during A/D conversion, the first update might not be converted.

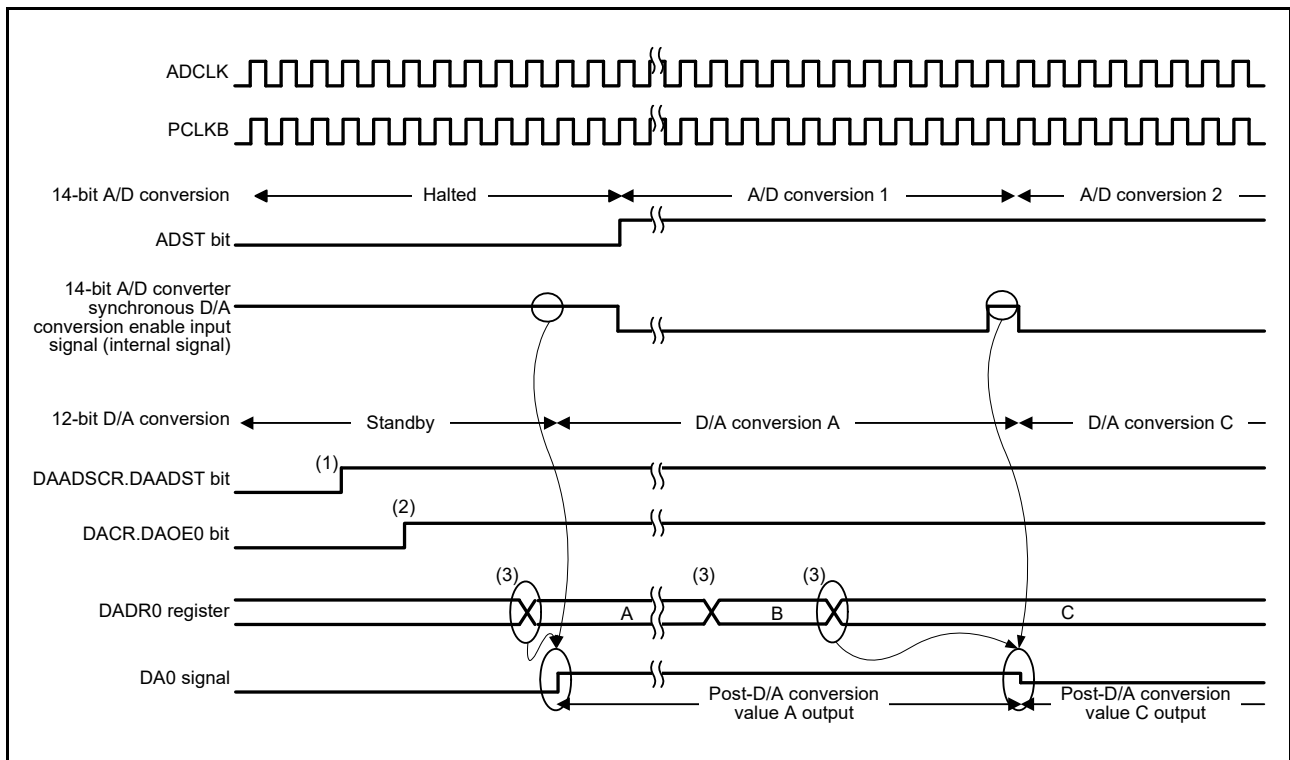


Figure 36.3 Example of conversion when DAC12 is synchronized with ADC14

When ADCLK is faster than PCLKB, the DAC12 might not be able to capture the synchronous D/A conversion enable input signal from the ADC14 during the 1 ADCLK output cycle between A/D conversion 1 and A/D conversion 2, as shown in Figure 36.4. In this case, post-D/A conversion value A is continuously output as the DA0 signal.

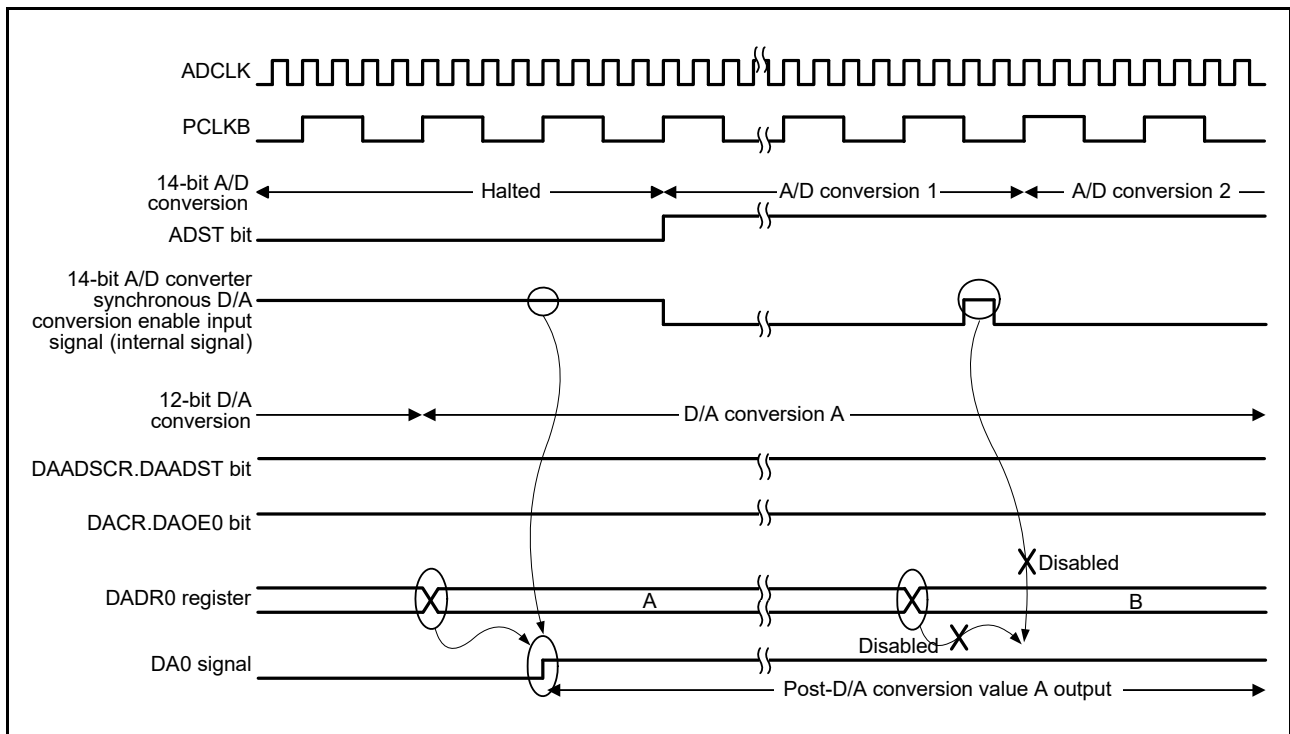


Figure 36.4 Example when DAC12 cannot capture ADC14 synchronous D/A conversion enable input signal

36.3.2 Notes on Using the Internal Reference Voltage as the Reference Voltage

When setting the DAVREFCR.REF[2:0] bits to 011b to use the internal reference voltage/AVSS0 as the reference voltage, the VREF path must be discharged before selecting the voltage. The following shows the discharging procedure:

1. Write 000b to the REF[2:0] bits.
2. Set the DADR0 register to 0000h.
3. Keep the state of step (2) for 10 μ s (discharging).
4. After discharging is complete, write 011b to the DAVREFCR.REF[2:0] bits and select the internal reference voltage/AVSS0.
5. Set the DACR.DAOE0 bit to 1 and wait for 5 μ s, the stabilization wait time of the internal reference voltage.
6. Write data to the DADR0 register and start D/A conversion.

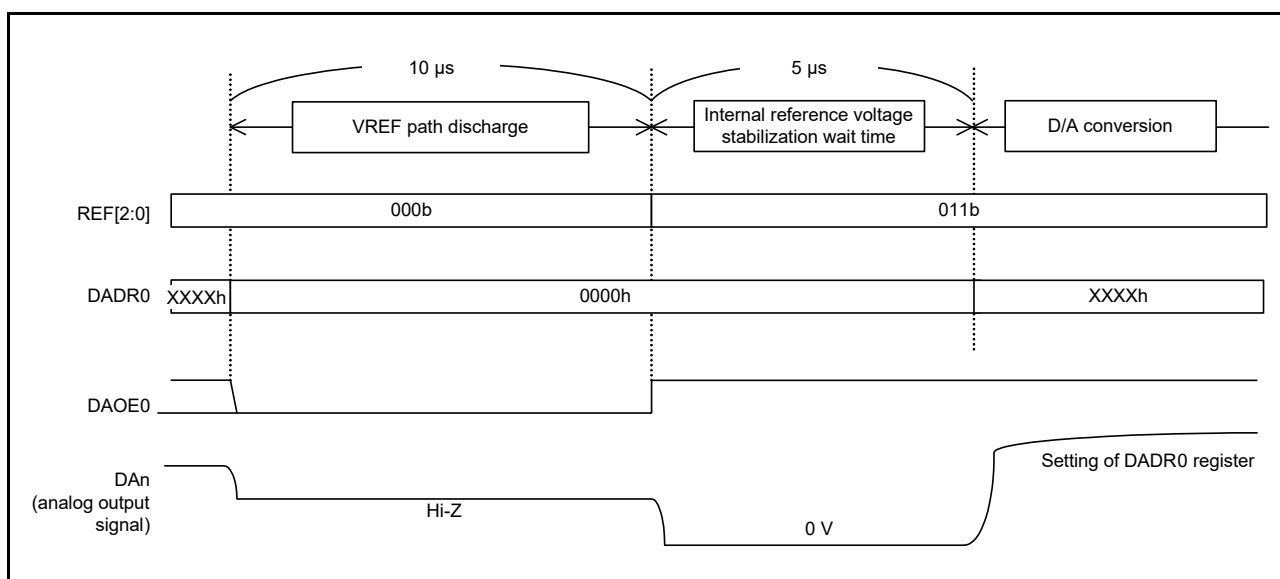


Figure 36.5 Procedure for selecting the internal reference voltage as the reference voltage

36.4 Event Link Operation Setting Procedure

To set up an event link operation (for DA0):

1. Set the DADPR.DPSEL bit and set the data for D/A conversion in the DADR0 register.
2. Set the ELC_DA0 event signal to be linked to each peripheral module in the ELSR12 register.
3. Set the ELCR.ELCON bit to 1. This enables event link operation for all modules with the event link function selected.
4. Set the event output source module to activate the event link. After the event is output from the module, the DACR.DAOE0 bit becomes 1, and D/A conversion starts on channel 0.
5. Set the ELSR12.ELS[7:0] bits to 00h to stop event link operation of the DAC12 channel 0. All event link operation is stopped when the ELCR.ELCON bit is set to 0.

36.5 Usage Notes on Event Link Operation

- When the event specified by the ELC_DA0 event signal is generated while a write cycle to the DACR.DAOE0 bit is processed, the write cycle is stopped, and the generated event takes precedence in setting the bit to 1.
- Use of the event link function is prohibited when the DAADSCR.DAADST bit is set to 1, to reduce interference between D/A and A/D conversions.

36.6 Usage Notes

36.6.1 Settings for the Module-Stop Function

The Module Stop Control register can enable or disable DAC12 operation. The DAC12 is initially stopped after reset. Releasing the module-stop state enables access to the registers. For details, see [section 10, Low Power Modes](#).

36.6.2 DAC12 Operation in Module-Stop State

When the MCU enters the module-stop state with D/A conversion enabled, the D/A output is saved, and the analog power supply current is the same as during D/A conversion. To reduce the analog power supply current in the module-stop state, disable D/A conversion by setting the DACR.DAOE0 bit to 0.

36.6.3 DAC12 Operation in Software Standby Mode

When the MCU enters Software Standby mode with D/A conversion enabled, the D/A output is saved, and the analog power supply current is the same as during D/A conversion. If the analog power supply current must be reduced in Software Standby mode, disable D/A conversion by setting the DACR.DAOE0 bit to 0.

36.6.4 Restriction on Usage when Interference Reduction between D/A and A/D Conversion is Enabled

When the DAADSCR.DAADST bit is 1, enabling interference between D/A and A/D conversion do not place the ADC14 in the module-stop state. Doing so can halt D/A conversion in addition to A/D conversion.

37. Temperature Sensor (TSN)

37.1 Overview

The on-chip temperature sensor determines and monitors the die temperature for reliable operation of the device. The sensor outputs a voltage directly proportional to the die temperature, and the relationship between the die temperature and the output voltage is linear. The output voltage is provided to the ADC14 for conversion and can also be used by the end application.

Table 37.1 lists the temperature sensor specifications, and Figure 37.1 shows the block diagram.

Table 37.1 Temperature sensor specifications

| Parameter | Description |
|-----------------------------------|---------------------------------------------------|
| Temperature sensor voltage output | Temperature sensor outputs a voltage to the ADC14 |

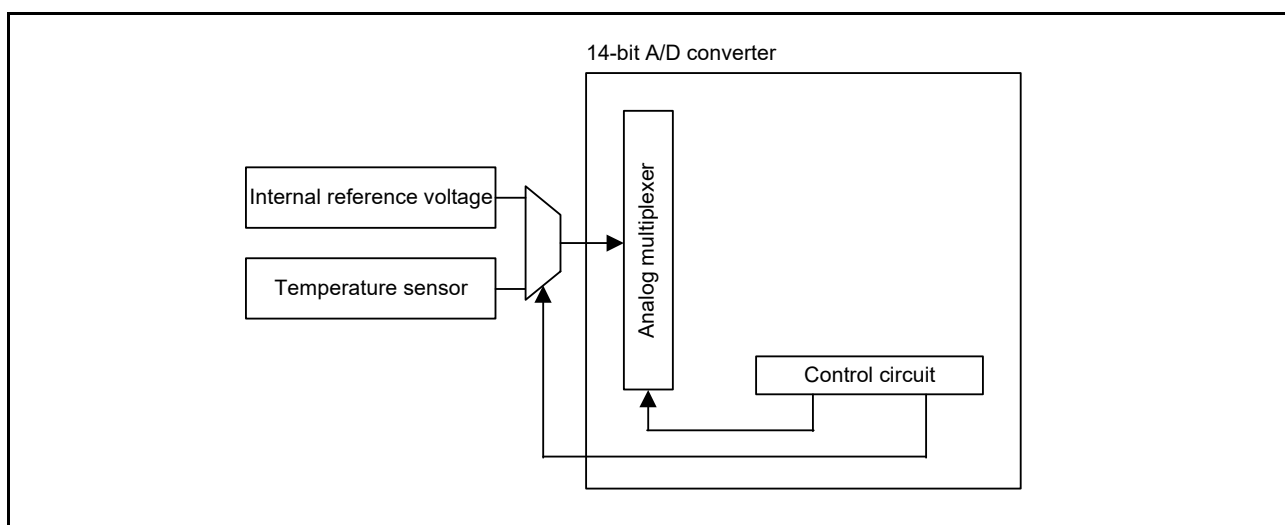
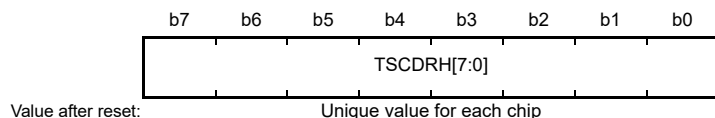


Figure 37.1 Temperature sensor block diagram

37.2 Register Descriptions

37.2.1 Temperature Sensor Calibration Data Register H (TSCDRH)

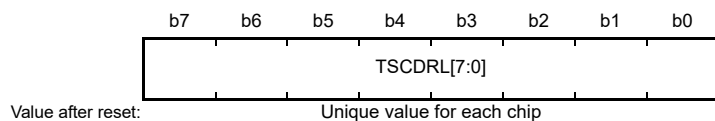
Address(es): TSN.TSCDRH 407E C229h



| Bit | Symbol | Bit name | Description | R/W |
|----------|-------------|-------------------------------------|---------------------------------------------------------------------|-----|
| b7 to b0 | TSCDRH[7:0] | Temperature Sensor Calibration Data | The calibration data stores the upper 4 bits of the converted value | R |

37.2.2 Temperature Sensor Calibration Data Register L (TSCDRL)

Address(es): TSN.TSCDRL 407E C228h



| Bit | Symbol | Bit name | Description | R/W |
|----------|-------------|-------------------------------------|---------------------------------------------------------------------|-----|
| b7 to b0 | TSCDRL[7:0] | Temperature Sensor Calibration Data | The calibration data stores the lower 8 bits of the converted value | R |

The TSCDRH and TSCDRL registers store temperature sensor calibration data measured for each chip at factory shipment.

Temperature sensor calibration data is a digital value obtained using the ADC14 to convert the voltage output by the temperature sensor under the condition $T_a = T_j = 125^\circ\text{C}$ and $AVCC0 = 3.3\text{ V}$. The TSCDRH register stores the upper 4 bits of the converted value, and the TSCDRL register stores the lower 8 bits.

37.3 Using the Temperature Sensor

The temperature sensor outputs a voltage that varies with the temperature. This voltage is converted to a digital value by the ADC14. To obtain the die temperature, convert this value into the temperature.

37.3.1 Preparation for Using Temperature Sensor

The temperature (T) is proportional to the sensor voltage output (V_s), so temperature is calculated with the following formula:

$$T = (V_s - V_1)/\text{slope} + T_1$$

T: Measured temperature ($^\circ\text{C}$)

V_s : Voltage output by the temperature sensor on temperature measurement (V)

T_1 : Temperature experimentally measured at one point ($^\circ\text{C}$)

V_1 : Voltage output by the temperature sensor on measurement of T_1 (V)

T_2 : Temperature experimentally measured at a second point ($^\circ\text{C}$)

V_2 : Voltage output by the temperature sensor on measurement of T_2 (V)

Slope: Temperature gradient of the temperature sensor ($\text{V}/^\circ\text{C}$); $\text{slope} = (V_2 - V_1)/(T_2 - T_1)$

Characteristics vary between sensors. Therefore, Renesas recommends measuring at two different sample temperatures as follows:

1. Use the ADC14 to measure the voltage V_1 output by the temperature sensor at temperature T_1 .
2. Use the ADC14 to measure the voltage V_2 output by the temperature sensor at a different temperature T_2 . Obtain the temperature gradient ($\text{slope} = (V_2 - V_1)/(T_2 - T_1)$) from these results.
3. Subsequently, obtain temperatures by substituting the slope into the formula for the temperature characteristic ($T = (V_s - V_1)/\text{Slope} + T_1$).

If you are using the temperature gradient given in [section 48, Electrical Characteristics](#), use the A/D converter to measure the voltage V_1 output by the temperature sensor at temperature T_1 , then calculate the temperature characteristic by using the following formula:

$$T = (V_s - V_1)/\text{Slope} + T_1$$

However, this method produces less accurate temperature results than measurement at two points.

The TSCDRH and TSCDRL registers store the temperature value (CAL125) of the temperature sensor measured under

the condition $T_a = T_j = 125^\circ\text{C}$ and $AVCC0 = 3.3\text{ V}$. By using this value as the sample measurement result at the first point, you can omit the preparation before using the temperature sensor.

This measured value CAL125 can be calculated as follows:

$$\text{CAL125} = \text{TSCDRH register value} \ll 8 + \text{TSCDRL register value}$$

V1 is calculated from CAL125 as follows:

$$V1 = 3.3 \times \text{CAL125}/4096 \text{ [V]}$$

Using this value, the measured temperature can be calculated according to the following formula:

$$T = (V_s - V1)/\text{Slope} + 125 \text{ [}^\circ\text{C]}$$

T: Measured temperature ($^\circ\text{C}$)

V_s : Voltage output by the temperature sensor when the temperature is measured (V)

V1: Voltage output by the temperature sensor when $T_a = T_j = 125^\circ\text{C}$ and $AVCC0 = 3.3\text{ V}$ (V)

Slope: Temperature gradient of the temperature sensor $\div 1000$ ($\text{V}/^\circ\text{C}$)

Figure 37.2 shows the error in the measured temperature. The variation range is 3σ .

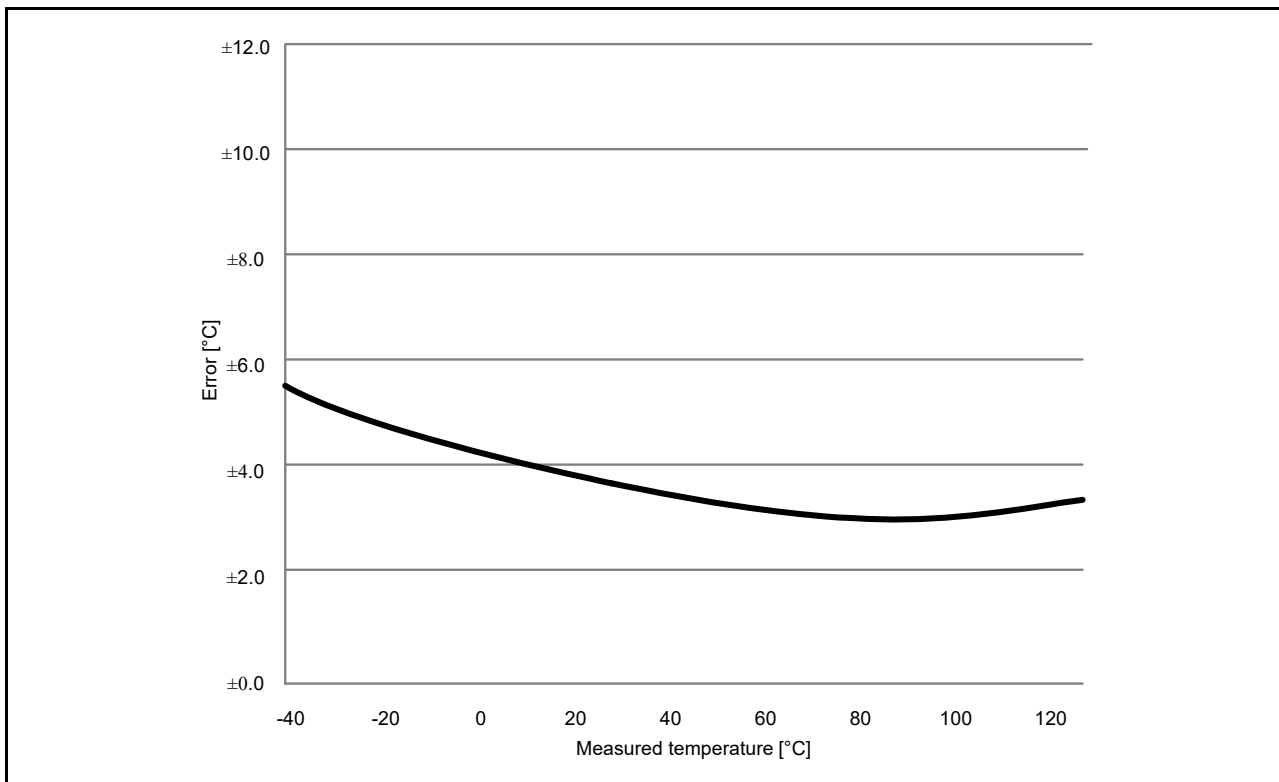


Figure 37.2 Error in the measured temperature (designed value)

37.3.2 Procedure for Using the Temperature Sensor

For details, see [section 35, 14-Bit A/D Converter \(ADC14\)](#).

38. Operational Amplifier (OPAMP)

38.1 Overview

Operational amplifiers can be used to amplify small analog input voltages and output the amplified voltages. The MCU has a total of four differential operational amplifier units with two input pins and one output pin.

The operational amplifiers have the following functions:

- The output signals from all units can be used for the input signals to the A/D converter
- High-speed mode (high-current consumption) and low power mode (slow-speed response) are supported and either mode can be selected based on trade-offs between the response speed and current consumption
- Operation can be started by each trigger from the Asynchronous General purpose Timer (AGT)
- Operation can be stopped by an A/D conversion end trigger.

The number of operational amplifier input and output pins differs depending on the product.

Figure 38.1 shows a block diagram of the operational amplifier, and Table 38.1 lists the unit configuration.

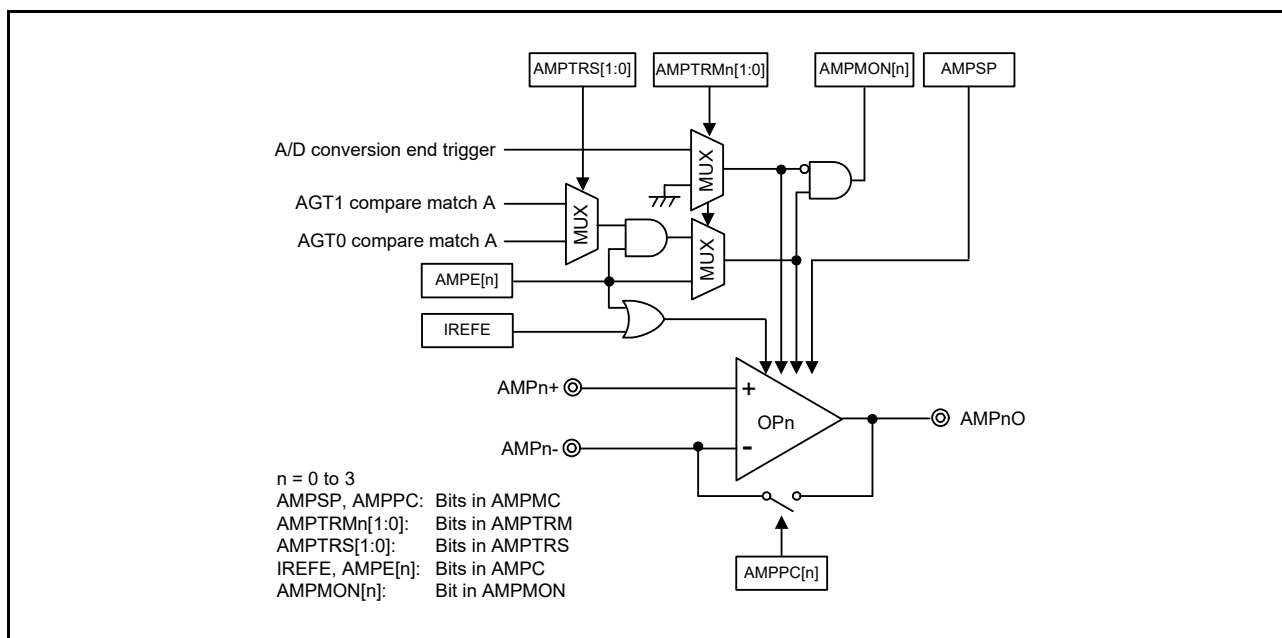


Figure 38.1 Operational amplifier block diagram

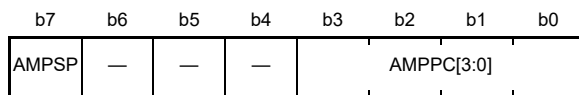
Table 38.1 OPAMP unit configuration

| Unit | I/O pin | I/O | Function |
|-------------------------------------|--------------|--------|---------------------------------------------|
| Unit 0 (Operational amplifier 0) | AMP0+, AMP0- | Input | Input pin of operational amplifier 0 (+, -) |
| | AMP0O | Output | Output pin of operational amplifier 0 |
| Unit 1 (Operational amplifier 1) | AMP1+, AMP1- | Input | Input pin of operational amplifier 1 (+, -) |
| | AMP1O | Output | Output pin of operational amplifier 1 |
| Unit 2 (Operational amplifier 2) | AMP2+, AMP2- | Input | Input pin of operational amplifier 2 (+, -) |
| | AMP2O | Output | Output pin of operational amplifier 2 |
| Unit 3 (Operational amplifier 3) | AMP3+, AMP3- | Input | Input pin of operational amplifier 3 (+, -) |
| | AMP3O | Output | Output pin of operational amplifier 3 |

38.2 Register Descriptions

38.2.1 Operational Amplifier Mode Control Register (AMPMP)

Address(es): [OPAMP.AMPMP 4008 6008h](#)



Value after reset: 0 0 0 0 0 0 0 0

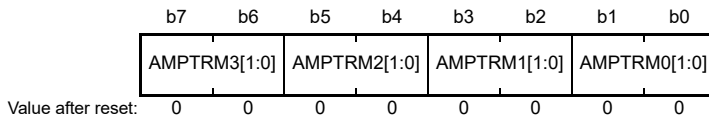
| Bit | Symbol | Bit name | Description | R/W |
|----------|----------------------------|-----------------------------------------|----------------------------------------------------------------------------------------------------------------------------------------|-----|
| b3 to b0 | AMPMP[3:0] | Operational Amplifier Precharge Control | AMPMP[n] (n = 0 to 3) 0: Precharging of operational amplifier n is stopped 1: Precharging of operational amplifier n is enabled. | R/W |
| b6 to b4 | — | Reserved | These bits are read as 0. The write value should be 0. | R/W |
| b7 | AMPSP | OPAMP Operation Mode Selection | 0: Low power mode (low-speed) 1: High-speed mode. | R/W |

Note: Set AMPSP bit while the AMPMP register is 00h (operational amplifier and reference current circuit are stopped).

Note: Be sure to set bits that are not used in this register to the initial value.

38.2.2 Operational Amplifier Trigger Mode Control Register (AMPTRM)

Address(es): OPAMP.AMPTRM 4008 6009h



| Bit | Symbol | Bit name | Description | R/W |
|--------|------------------------------|--------------------------------------------------------|---------------------------------------------------------------------------------------------------------------------------------------------------------------------------------------------------------------------------------------------------------------------------------------------------------------------------------------------------------------------------------------------------------------------------------------------------------------------------------------|-----|
| b1, b0 | AMPTRM0[1:0] | OPAMP Function Activation/ Stop Trigger Control n*2 | AMPTRMn[1] AMPTRMn[0] (n = 0 to 3) 0 | R/W |
| b3, b2 | AMPTRM1[1:0] | | 0: Software trigger mode: <ul style="list-style-type: none"> •The operational amplifier can be activated/ stopped by setting the AMPC register •The operational amplifier cannot be activated by an activation trigger •The operational amplifier cannot be controlled by an A/D conversion end trigger. | |
| b5, b4 | AMPTRM2[1:0] | | 0 | |
| b7, b6 | AMPTRM3[1:0] | | 1: Activation trigger mode: <ul style="list-style-type: none"> •The operational amplifier can be set to wait for an activation trigger or stopped by setting the AMPC register •The operational amplifier can be activated by an activation trigger*1 •The operational amplifier cannot be controlled by an A/D conversion end trigger. | |
| | | | 1 | |
| | | | 0: Setting prohibited | |
| | | | 1: Activation and A/D trigger mode: <ul style="list-style-type: none"> •The operational amplifier can be set to wait for an activation trigger or stopped by setting the AMPC register •The operational amplifier can be activated by an activation trigger*1 •The operational amplifier can be stopped by an A/D conversion end trigger. An A/D conversion end trigger is always generated at the end of A/D conversion. | |

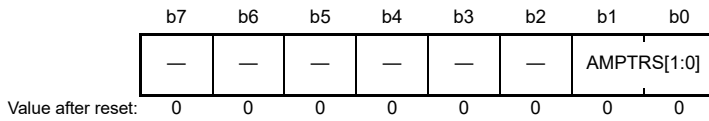
Note: An A/D conversion end trigger is always generated at the end of A/D conversion.

Note 1. When using an activation trigger to activate the operational amplifier, first specify settings related to the AGT, set the AMPTRS register, and then use the AMPC register to set the OPAMP Operation Control bit to be activated to 1 (operational amplifier wait state is enabled).

Note 2. When changing the set values of AMPTRMn[1:0], make sure that the AMPE[n] bit in the AMPC register is 0 (operation amplifier is stopped).

38.2.3 Operational Amplifier Activation Trigger Select Register (AMPTRS)

Address(es): OPAMP.AMPTRS 4008 600Ah



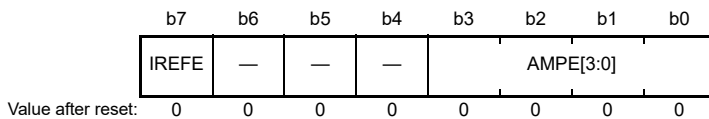
| Bit | Symbol | Bit name | Description | R/W |
|----------|-------------|--------------------------------|----------------------------------------------------------------------------------------------------------------------------------------------------------------------------------------------------------------------------------------------------------------------------------------------------------------------------------------------------------------------------------------------|-----|
| b1, b0 | AMPTRS[1:0] | Activation Trigger Selection*1 | b1 b0 0 0: Operational amplifier n: Operational amplifier activation trigger n (n = 0 to 3) 0 1: Operational amplifier m: Operational amplifier activation trigger 0 (m = 0, 1) Operational amplifier n: Operational amplifier activation trigger 1 (n = 2, 3) 1 0: Setting prohibited 1 1: Operational amplifier n: Operational amplifier activation trigger 0 (n = 0 to 3). | R/W |
| b7 to b2 | — | Reserved | These bits are read as 0. The write value should be 0. | R/W |

Note: Be sure to set bits that are not used in this register to the initial value.

Note 1. Do not change the value of the AMPTRS register after setting the AMPTRM register.

38.2.4 Operational Amplifier Control Register (AMPC)

Address(es): OPAMP.AMPC 4008 600Bh



| Bit | Symbol | Bit name | Description | R/W |
|----------|-----------|---------------------------------------------------|--------------------------------------------------------------------------------------------------------------------------------------------------------------------------------------------------------------------------------|-----|
| b3 to b0 | AMPE[3:0] | OPAMP Operation Control | 0: Operation amplifier n is stopped. 1: Software trigger mode: Operation of operational amplifier n is enabled.*1 Activation trigger mode or activation and A/D trigger mode: Wait until AGT is enabled (n = 0 to 3). | R/W |
| b6 to b4 | — | Reserved | These bits are read as 0. The write value should be 0. | R/W |
| b7 | IREFE | OPAMP Reference Current Circuit Operation Control | 0: Operational amplifier reference current circuit is stopped 1: Operation of operational amplifier reference current circuit is enabled. | R/W |

Note: Be sure to set bits that are not used in this register to the initial value.

Note 1. Operation of the operational amplifier reference current circuit is also enabled regardless of the IREFE bit setting. Be sure to set the bits to 0 for a unit that is not to be used.

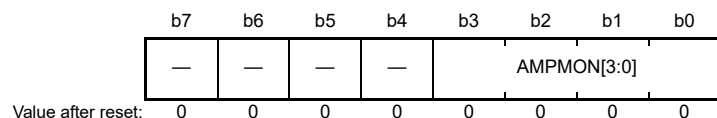
Table 38.2 shows the operational amplifier activation triggers associated with events.

Table 38.2 Operational amplifier activation triggers associated with events

| Trigger | Event |
|--------------------------------------------|----------------------|
| Operational Amplifier activation trigger 0 | AGT1 compare match A |
| Operational Amplifier activation trigger 1 | AGT0 compare match A |
| Operational Amplifier activation trigger 2 | AGT1 compare match A |
| Operational Amplifier activation trigger 3 | AGT0 compare match A |

38.2.5 Operational Amplifier Monitor Register (AMPMON)

Address(es): OPAMP.AMPMON 4008 600Ch



| Bit | Symbol | Bit name | Description | R/W |
|----------|-------------|------------------------------------------------|-----------------------------------------------------------------------------------|-----|
| b3 to b0 | AMPMON[3:0] | Operational Amplifier n Status (n = 0 to 3) | 0: Operational amplifier n is stopped 1: Operational amplifier n is operating. | R |
| b7 to b4 | — | Reserved | These bits are read as 0 | R |

Note: This register is used to asynchronously reflect whether each operational amplifier is operating or stopped. To determine the operational amplifier state, read this register continuously to determine when the bit state changes. When an activation trigger or A/D conversion end trigger synchronized with the clock or a software trigger in the other interrupt routine is used to control the operational amplifier, the timing to operate or stop the operational amplifier can be estimated, such as for checking normal operation. In this case, read this register after 1 CPU/peripheral clock cycle when the associated trigger or interrupt affecting the operational amplifier state occurs. Be sure to set bits that are not used in this register to the initial value.

38.3 Operation

38.3.1 State Transitions

Figure 38.2 shows state transitions when the operational amplifier and reference current circuit are activated or stopped using the operational amplifier control circuit.

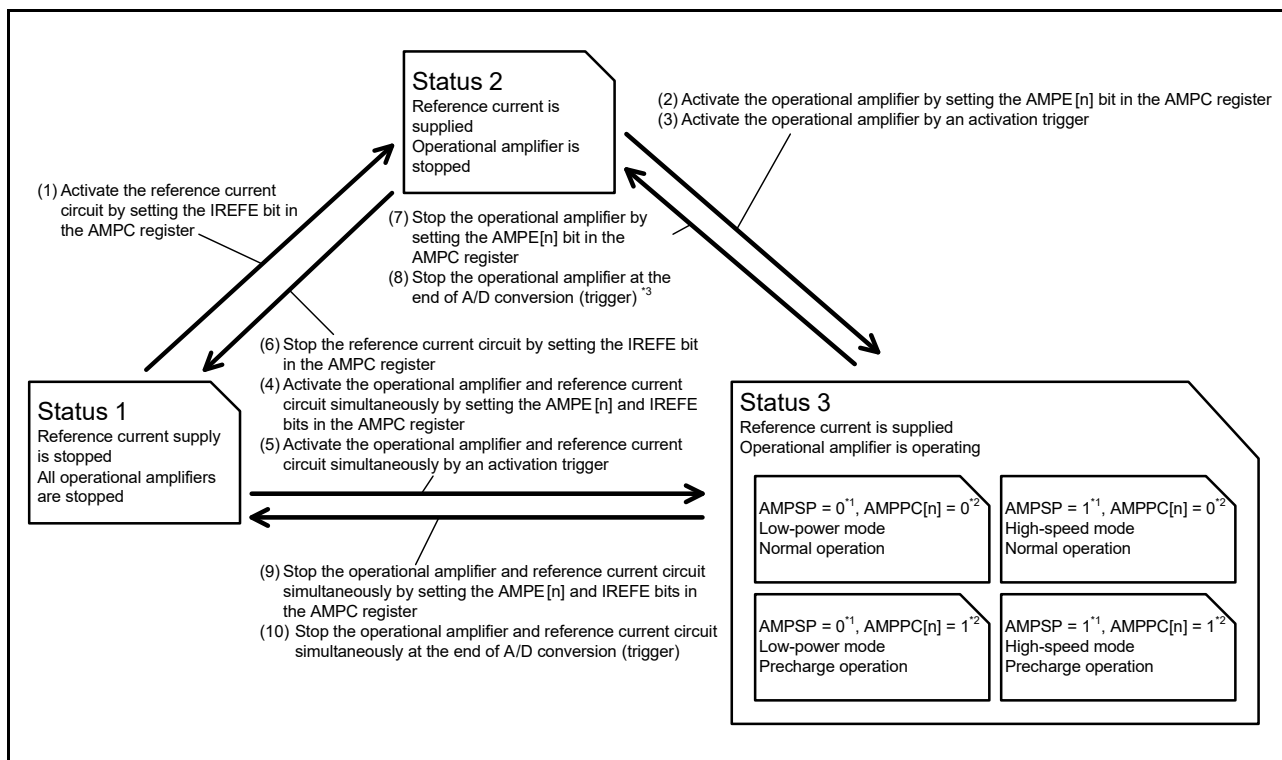


Figure 38.2 Operational amplifier state transitions

Note 1. Set the AMPSP bit in the AMPMC register and the AMPTRS and AMPTRM registers in status 1.

Note 2. Set the AMPPC[n] bit in the AMPMC register in status 3.

Note 3. To stop only the operational amplifier at the end of A/D conversion, it is necessary to preset operation of the reference current circuit to be enabled (operate the operational amplifier by status 2).

A stabilization wait time is required after supply of the reference current and operation of the operational amplifier are set before each operation actually starts. For details on the stabilization wait time, see section 48, Electrical Characteristics.

The operational amplifier cannot be activated/stopped continuously in steps (2) → (8), (2) → (10), (3) → (10), and (4) → (10).

An activation trigger and end of A/D conversion can be used to activate or stop only the operational amplifier that is preset to be used by setting the AMPTRM register.

38.3.2 Operational Amplifier Control Operation

Figure 38.3 to Figure 38.6 show operational amplifier control operation.

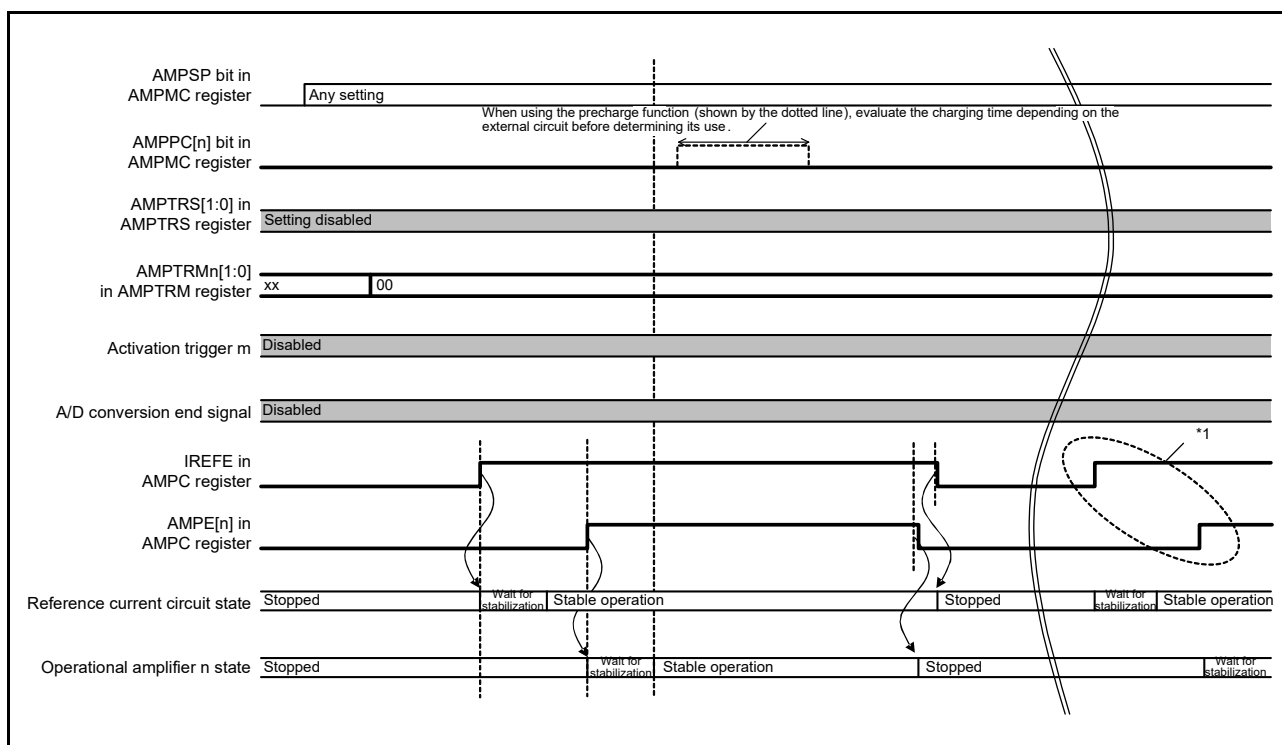


Figure 38.3 Operational amplifier control operation in software trigger mode used for control when the reference current circuit and operational amplifier are activated/stopped by software trigger mode

Note: n: Unit number (n = 0 to 3)

m: An activation trigger used to control operational amplifier unit n selected by the AMPTRS register.

Note 1. When operating/stopping the operational amplifier continuously, set the IREFE and AMPE[n] bits again as in the first setting after the operational amplifier is stopped.

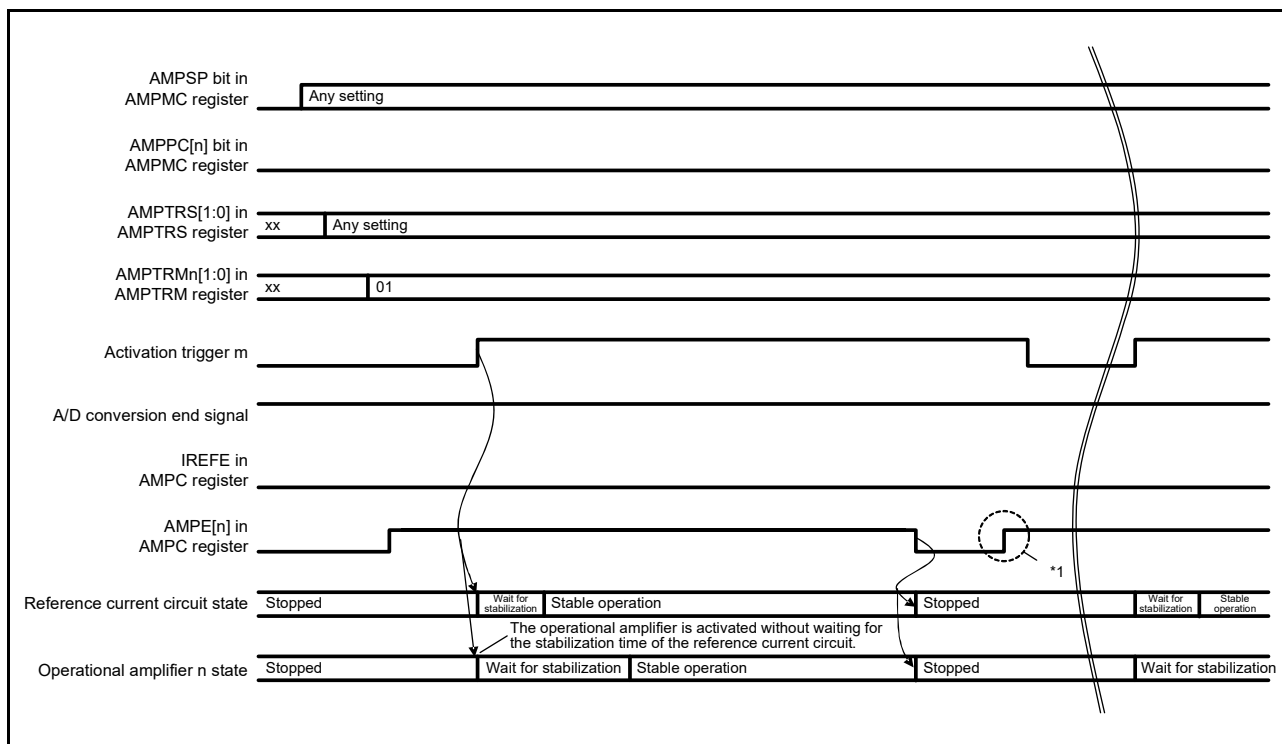


Figure 38.4 Operational amplifier control operation when activation trigger mode is used for activation with the reference current circuit and operational amplifier activated by an activation trigger and stopped by setting the AMPC register

Note: n: Unit number (n = 0 to 3)
 m: An activation trigger used to control operational amplifier unit n selected by the AMPTRS register.
 Set the AGT function.

Note 1. When operating or stopping the operational amplifier continuously, use the AMPE[n] bit again as in the first setting, and set the operational amplifier to wait for an activation trigger after it is stopped.

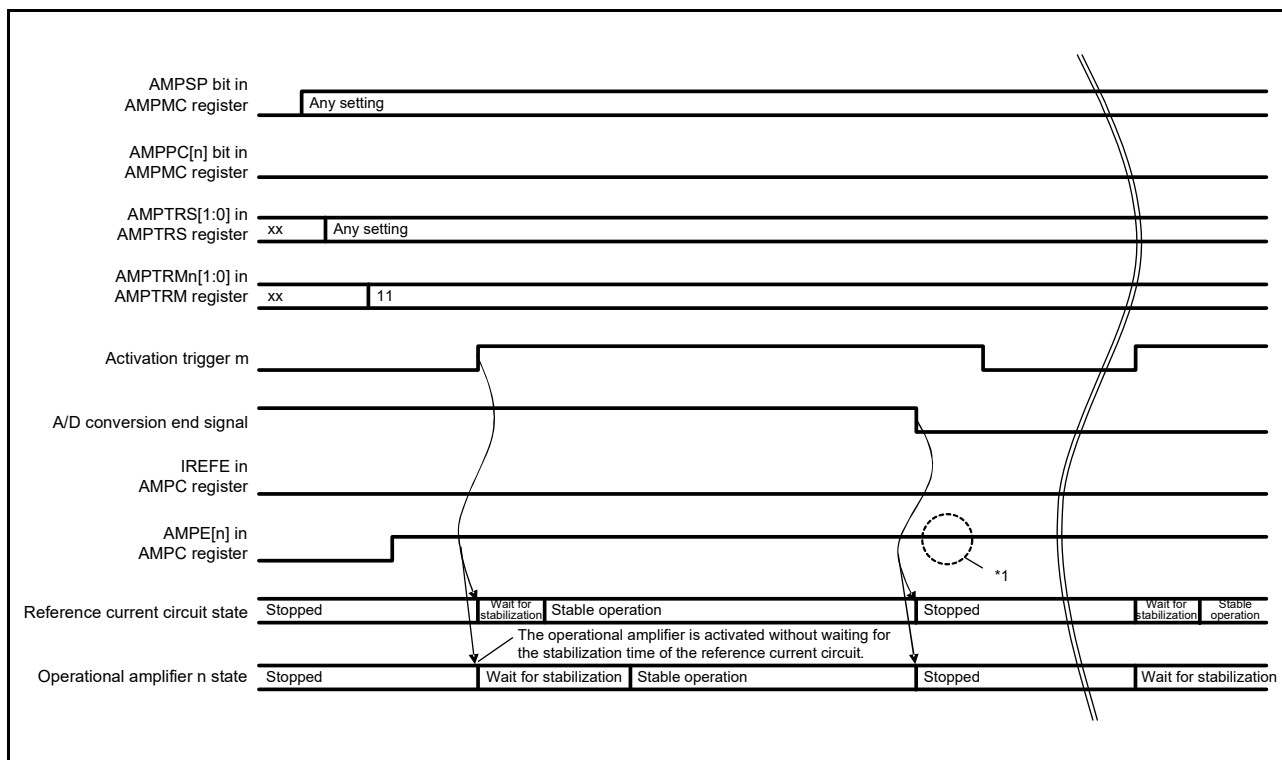


Figure 38.5 Operational amplifier control operation (activation and A/D trigger mode (1) with the reference current circuit and operational amplifier activated by an activation trigger and stopped by an A/D conversion end (trigger)

Note: n: Unit number (n = 0 to 3)

m: An activation trigger used to control operational amplifier unit n selected by the AMPTRS register
Set the AGT function.

Note 1. When operating or stopping the operational amplifier continuously, it is not necessary to set the registers again because the operational amplifier waits for an activation trigger after it is stopped.

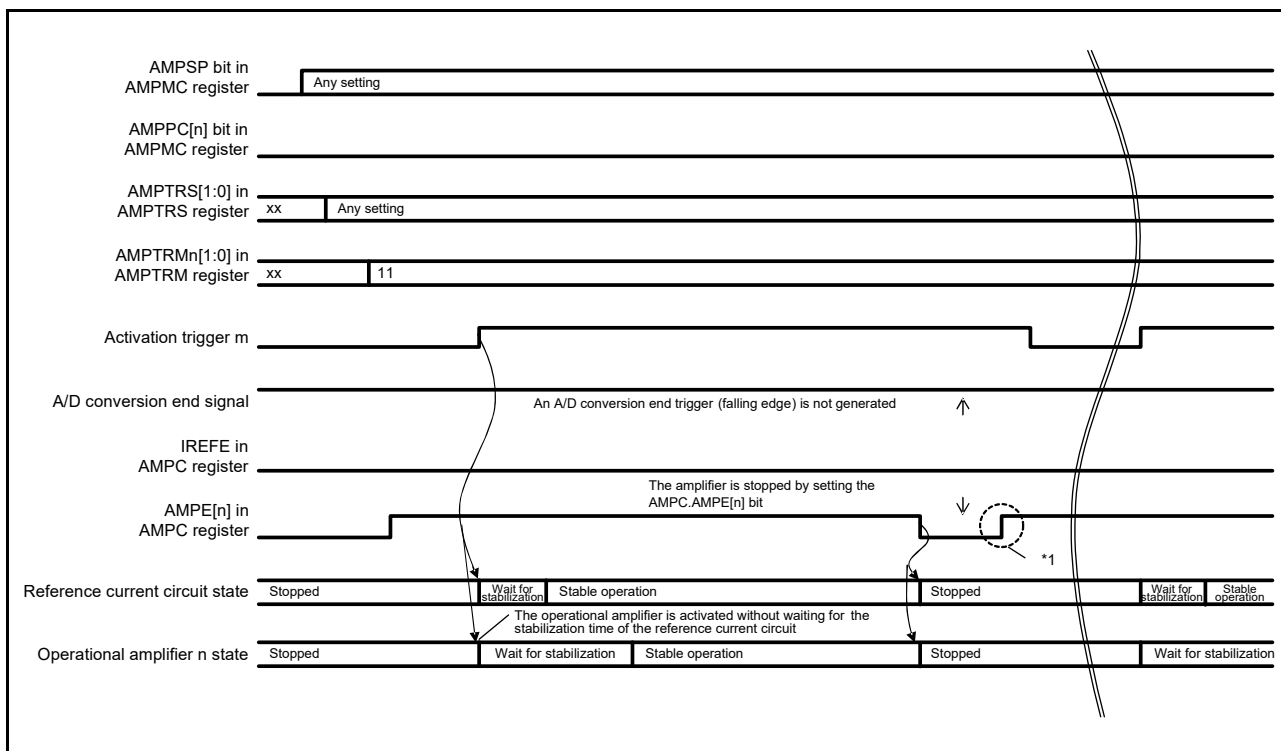


Figure 38.6 Operational amplifier control operation (activation and A/D trigger mode (2) with the reference current circuit and operational amplifier stopped by setting the AMPC register to be activated by an activation trigger and stopped by an A/D conversion end (trigger))

Note 1. When operating or stopping the operational amplifier continuously, use the AMPE[n] bit again as in the first setting, and set the operational amplifier to wait for an activation trigger after it is stopped.

Note: n: Unit number (n = 0 to 3)

m: An activation trigger used to control operational amplifier unit n selected by the AMPTRS register

Set the AGT function. See [section 38.4, Software Trigger Mode](#) for the procedure to activate the operational amplifier with an activation trigger.

38.4 Software Trigger Mode

This section describes the procedure to activate and stop the operational amplifier using a software trigger. [Figure 38.7](#) shows an example of each register setting.

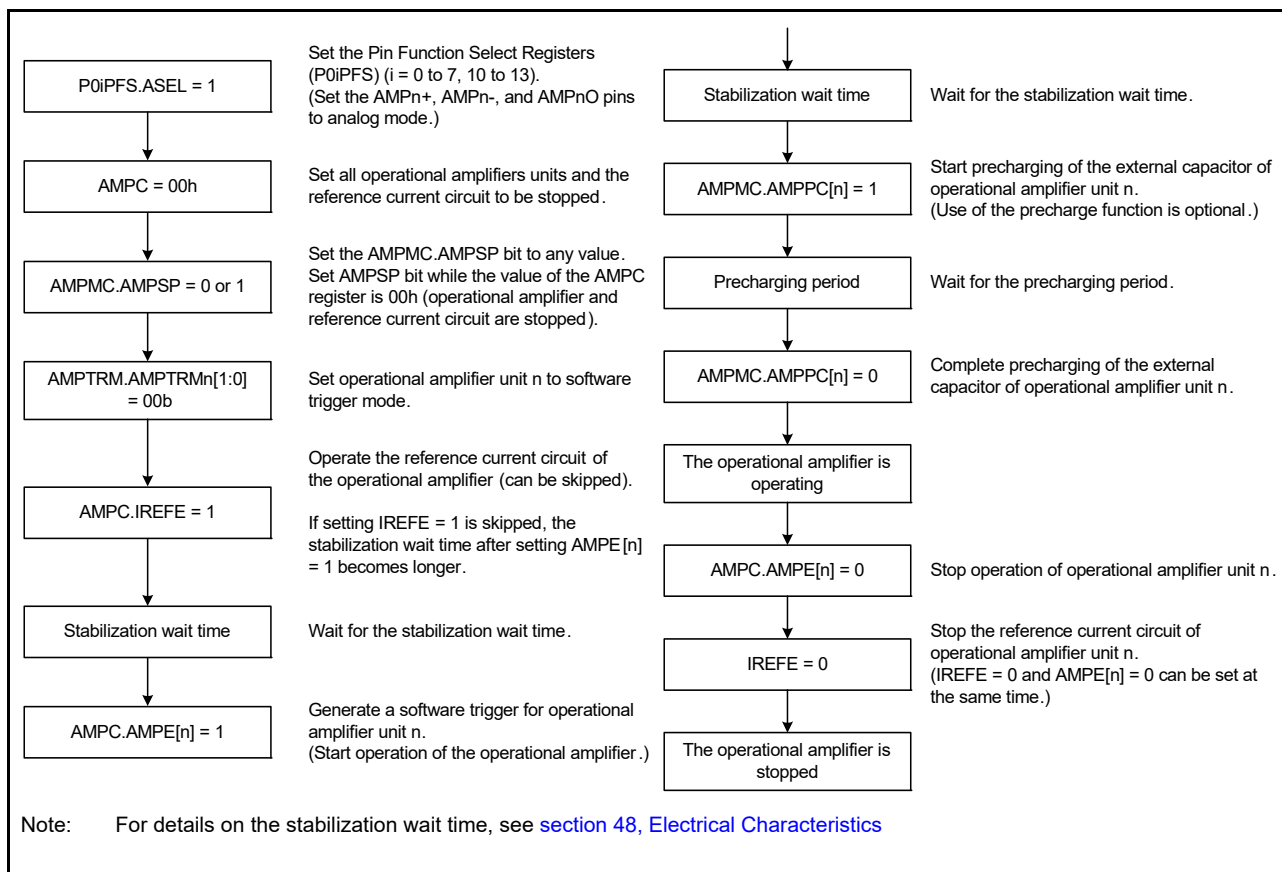


Figure 38.7 Procedure to start and stop OPAMP in software trigger mode

38.5 Activation Trigger Mode

This section describes the procedure to activate the operational amplifier using an activation trigger and to stop the amplifier with software. [Figure 38.8](#) shows an example of each register setting.

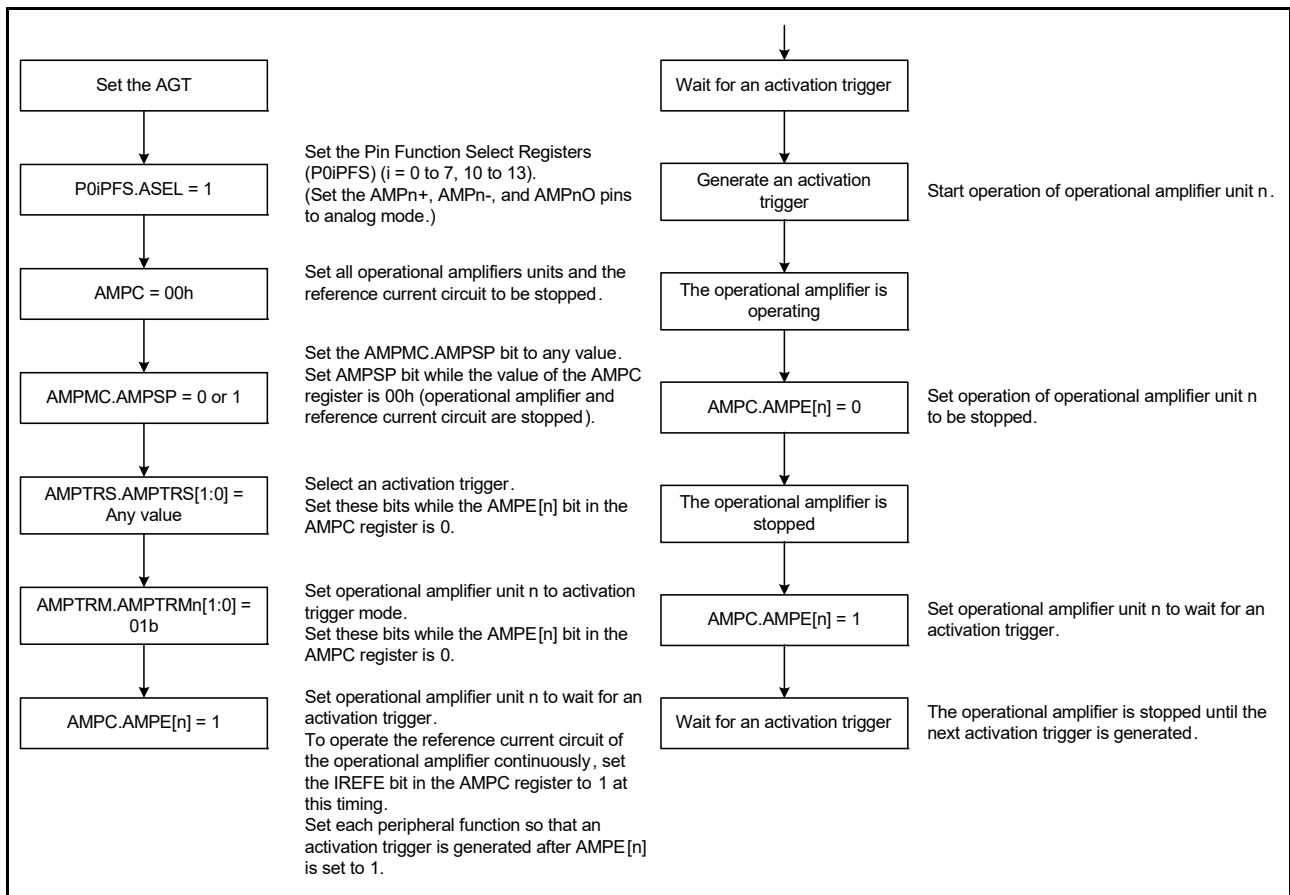


Figure 38.8 Procedure to start and stop OPAMP in activation trigger mode

38.6 Activation and A/D Trigger Mode

This section describes the procedure to activate the operational amplifier using an activation trigger and to stop the amplifier with an A/D conversion end trigger. Figure 38.9 shows an example of each register setting.

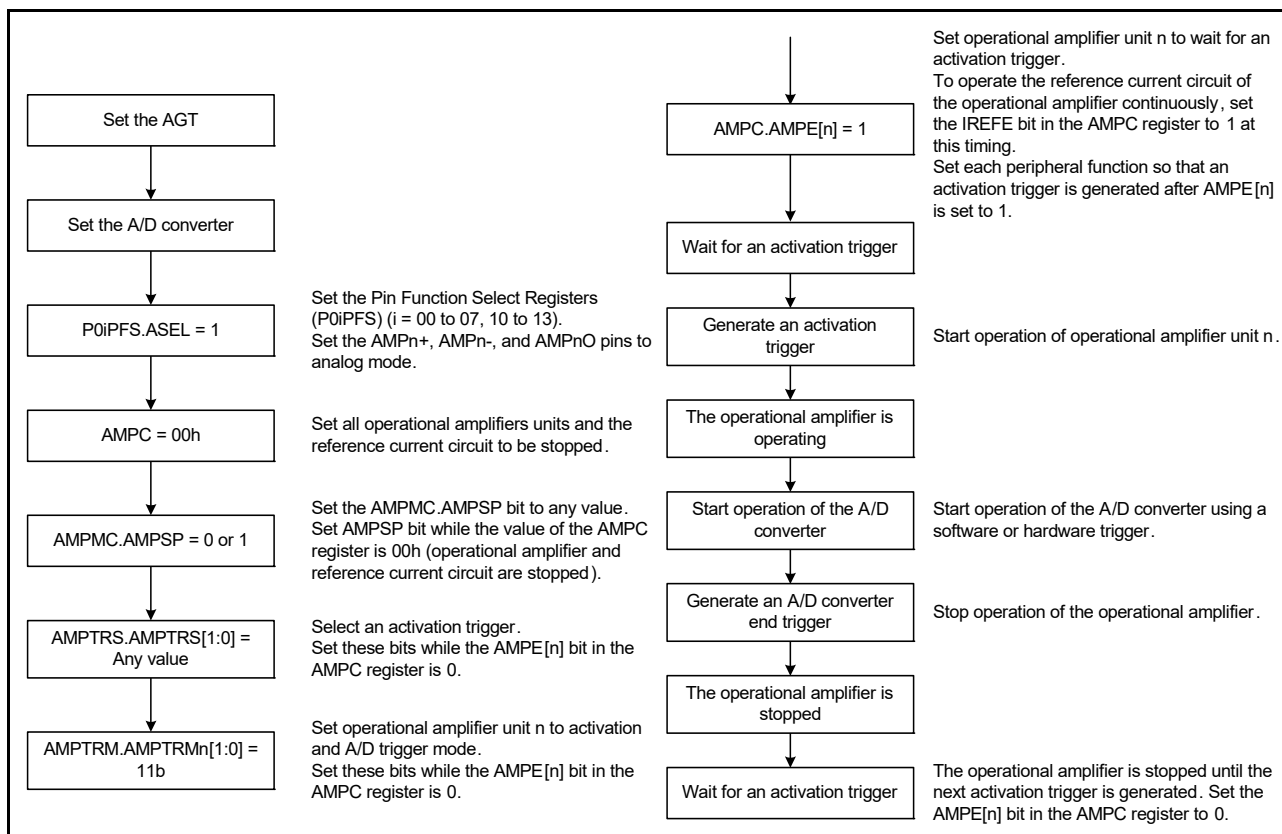


Figure 38.9 Procedure to activate the operational amplifier using an activation trigger and to stop the operational amplifier with an A/D conversion end trigger

38.7 Usage Notes

In addition to the AMPC register settings, the operational amplifier function can be activated by an activation trigger and stopped at the end of A/D conversion. The reference current circuit can be stopped at the end of A/D conversion. Application sequences must prevent these asynchronous triggers from causing conflicts between the activation and stop control.

Do not perform A/D conversion on pins that are used as the positive and negative input of the operational amplifier because these pins are multiplexed with analog input for the A/D converter.

39. Low-Power Analog Comparator (ACMPLP)

39.1 Overview

The Low-Power Analog Comparator (ACMPLP) compares a reference input voltage and an analog input voltage. Comparator channels ACMPLP0 and ACMPLP1 are independent of each other.

The comparison result of the reference input voltage and analog input voltage can be read by software. The comparison result can also be output externally. The reference input voltage can be selected from an input to the CMPREFi (i = 0, 1) pin, an output from internal 8-bit D/A converter, and the internal reference voltage (Vref) generated internally in the MCU.

The ACMPLP response speed can be set before starting an operation. Setting High-speed mode decreases the response delay time, but increases current consumption. Setting Low-speed mode increases the response delay time, but decreases current consumption.

Table 39.1 lists the ACMPLP specifications, Figure 39.1 shows a block diagram of the ACMPLP when the window function is disabled, and Figure 39.2 shows a block diagram of the ACMPLP when the window function is enabled. Table 39.2 lists the I/O pins of the ACMPLP.

Table 39.1 ACMPLP specifications

| Parameter | Specifications |
|--------------------------|---------------------------------------------------------------------------------------------------------------------------------------------------------------------------------------------------------------------------------------------------------------------------------------------------------------------------------------------------------------------------------------------------------------------------------------------------------------------------------------------------------------------------------------------------------------------------------------------------------------------------------------------------------------------------------------------------------------------------------------|
| Number of channels | 2 channels: ACMPLP0 and ACMPLP1 |
| Analog input voltage | Input from CMPINi (i = 0, 1) pin |
| Reference voltage | <ul style="list-style-type: none"> • Standard mode <ul style="list-style-type: none"> One of the following can be selected: <ul style="list-style-type: none"> - Internal reference voltage (Vref) - Input from CMPREFi (i = 0, 1) pin - Output from internal 8-bit D/A converter. • Window mode <ul style="list-style-type: none"> One of the following can be selected: <ul style="list-style-type: none"> - Input from CMPREFi (i = 0, 1) pin (CMPREF0: low reference, CMPREF1: high reference) - Output from internal 8-bit D/A converter. |
| Comparator output | <ul style="list-style-type: none"> • Comparison result • Generation of ELC event output • Monitor output from register. |
| Interrupt request signal | <ul style="list-style-type: none"> • Interrupt request generated on valid edge detection from comparison result • Rising edge, falling edge, or both edges can be selected. |
| Selectable functions | <ul style="list-style-type: none"> • Noise filter function <ul style="list-style-type: none"> - One of three sampling frequencies can be selected - Not using the filter function can be selected. • Window function <ul style="list-style-type: none"> - Window function is used or not used can be selected. • Low-Power Analog Comparator response speed <ul style="list-style-type: none"> - High-speed mode or low-speed mode can be selected. |

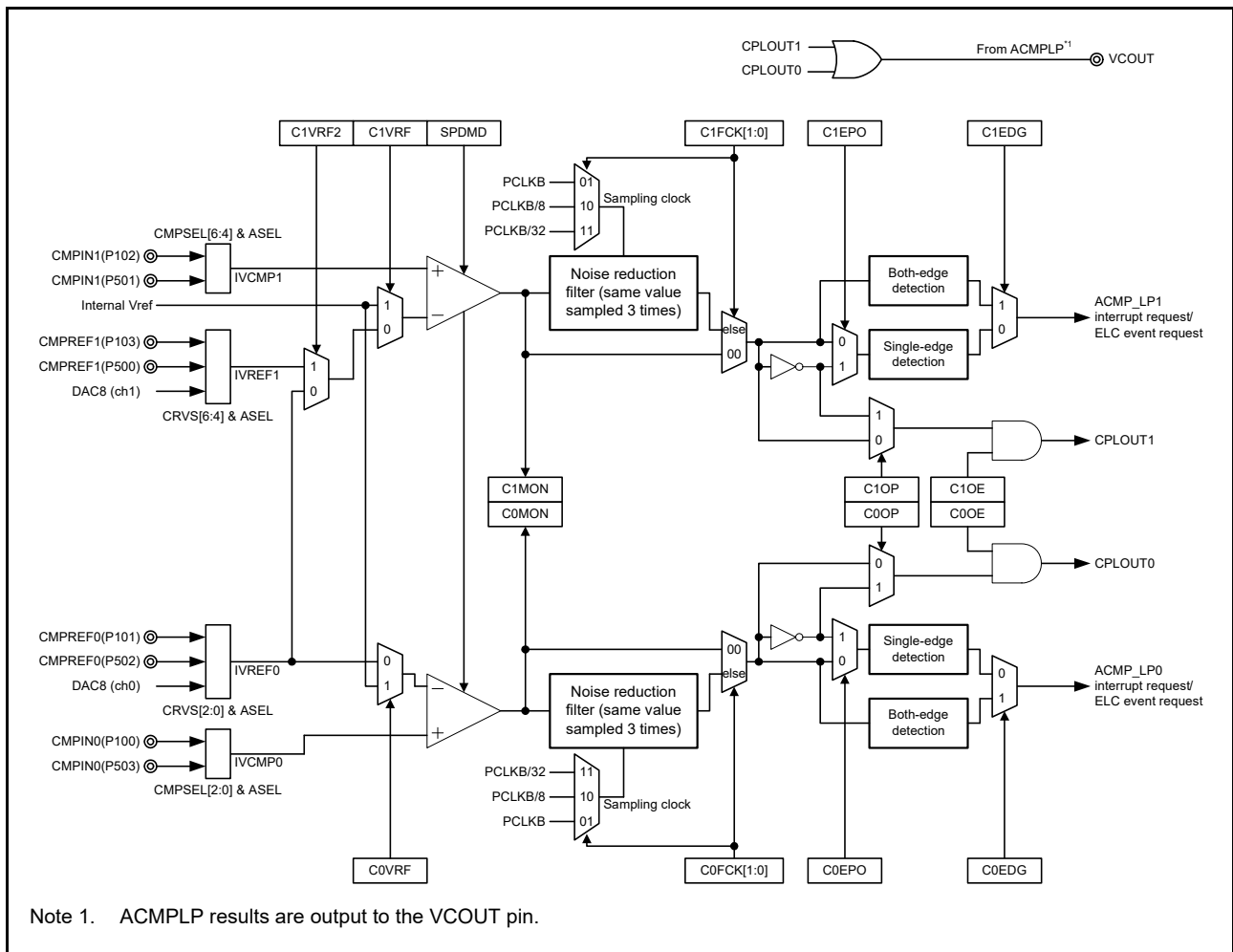


Figure 39.1 ACMPLP block diagram when window function is disabled

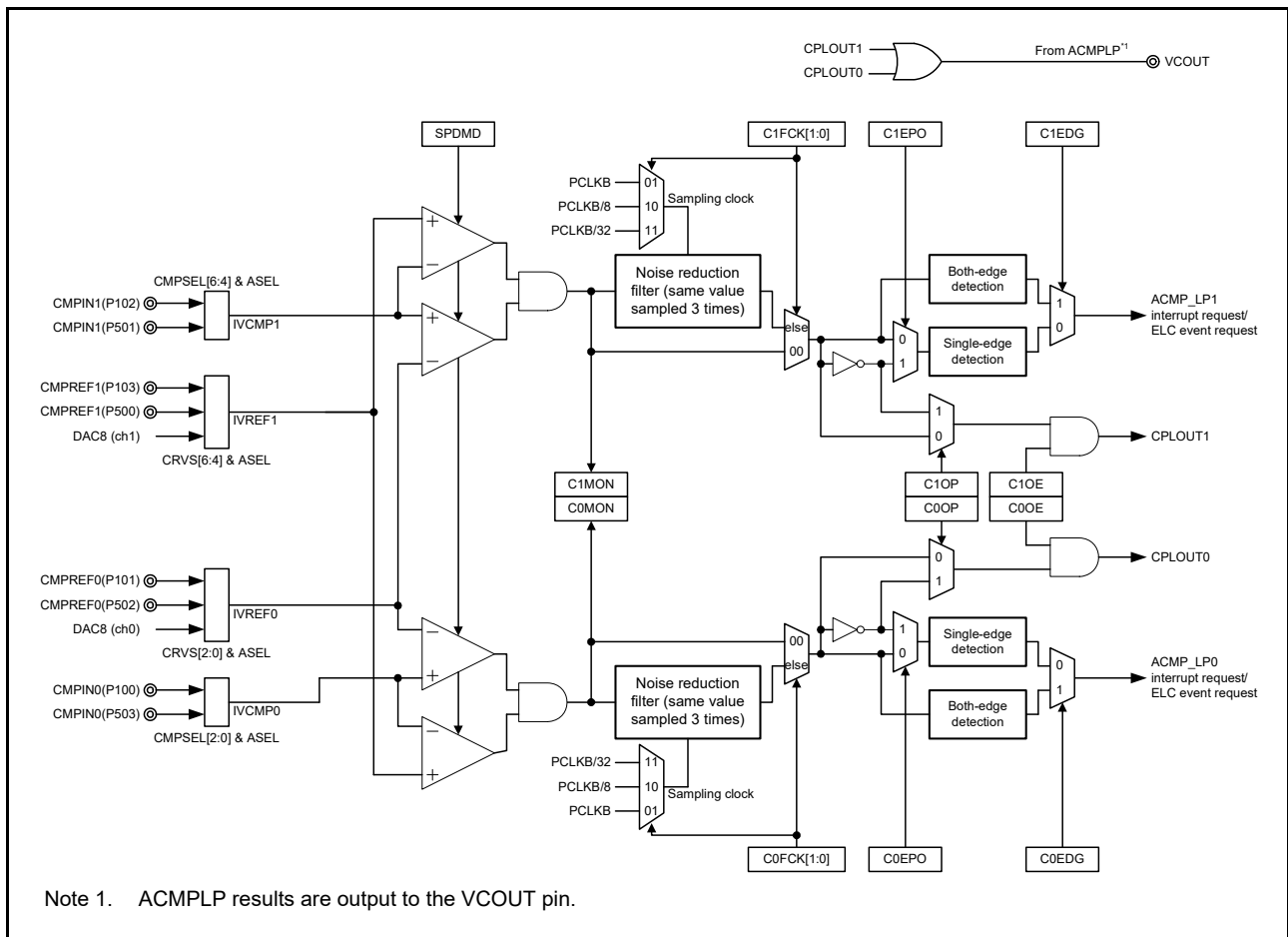


Figure 39.2 ACMPLP block diagram when window function is enabled

Table 39.2 Comparator pin configuration

| Comparator | Reference voltage input pin | | Analog voltage input pin | | Output pin |
|------------|----------------------------------------------------------------------------------------------------------------------------------------------------------------------------------------------------------------|--------------------------------------------------------------------------------------------------------------------------------------------------------------------------------------------------------------------------------------------------------------------|----------------------------------------------------------------------------------------|----------------------|------------|
| | Standard mode | Window function mode | Standard mode | Window function mode | |
| ACMPLP0 | <ul style="list-style-type: none"> IVREF0 (CMPREF0 (P101)/CMPREF0 (P502)/DAC8 (channel 0)) Internal Vref (Selectable) | Low reference voltage: <ul style="list-style-type: none"> IVREF0 (CMPREF0 (P101)/CMPREF0 (P502)/DAC8 (channel 0)) High reference voltage: <ul style="list-style-type: none"> IVREF1 (CMPREF1 (P103)/CMPREF1 (P500)/DAC8 (channel 1)) | <ul style="list-style-type: none"> IVCMP0 (CMPIN0 (P100)/CMPIN0 (P503)) | | VCOUT*1 |
| ACMPLP1 | <ul style="list-style-type: none"> IVREF0 (CMPREF0 (P101)/CMPREF0 (P502)/DAC8 (channel 0)) IVREF1 (CMPREF1 (P103)/CMPREF1 (P500)/DAC8 (channel 1)) Internal Vref (Selectable) | | <ul style="list-style-type: none"> IVCMP1 (CMPIN1 (P102)/CMPIN1 (P501)) | | |

Note 1. ACMPLP0 and ACMPLP1 compare outputs are output to the VCOUT pin.

39.2 Register Descriptions

39.2.1 ACMPLP Mode Setting Register (COMPMDR)

Address(es): [ACMPLP.COMPMDR 4008 5E00h](#)

| b7 | b6 | b5 | b4 | b3 | b2 | b1 | b0 |
|-------|-------|-------|-------|-------|-------|-------|-------|
| C1MON | C1VRF | C1WDE | C1ENB | C0MON | C0VRF | C0WDE | C0ENB |
| 0 | 0 | 0 | 0 | 0 | 0 | 0 | 0 |

Value after reset:

| Bit | Symbol | Bit name | Description | R/W |
|-----|-----------------------|---------------------------------------------|-------------------------------------------------------------------------------------------------------------------------------------------------------------------------------------------------------------------------------------------|-----|
| b0 | C0ENB | ACMPLP0 Operation Enable | 0: Disable comparator channel ACMPLP0 1: Enable comparator channel ACMPLP0. | R/W |
| b1 | C0WDE | ACMPLP0 Window Function Mode Enable*1,*2,*6 | 0: Disable window function for ACMPLP0 1: Enable window function for ACMPLP0. | R/W |
| b2 | C0VRF | ACMPLP0 Reference Voltage Selection*6 | 0: IVREF0 1: Internal reference voltage (Vref).*4 | R/W |
| b3 | C0MON | ACMPLP0 Monitor Flag*3 | When the window function is disabled: 0: IVCMP0 < ACMPLP0 reference voltage 1: IVCMP0 > ACMPLP0 reference voltage. When the window function is enabled: 0: IVCMP0 < IVREF0 or IVCMP0 > IVREF1 1: IVREF0 < IVCMP0 < IVREF1. | R |
| b4 | C1ENB | ACMPLP1 Operation Enable | 0: Disable ACMPLP1 operation 1: Enable ACMPLP1 operation. | R/W |
| b5 | C1WDE | ACMPLP1 Window Function Mode Enable*1,*2,*5 | 0: Disable ACMPLP1 window function mode 1: Enable ACMPLP1 window function mode. | R/W |
| b6 | C1VRF | ACMPLP1 Reference Voltage Selection*5 | 0: IVREF0 or IVREF1 1: Internal reference voltage (Vref).*4 | R/W |
| b7 | C1MON | ACMPLP1 Monitor Flag*3 | When the window function is disabled: 0: IVCMP1 < ACMPLP1 reference voltage 1: IVCMP1 > ACMPLP1 reference voltage. When the window function is enabled: 0: IVCMP1 < IVREF0 or IVCMP1 > IVREF1 1: IVREF0 < IVCMP1 < IVREF1. | R |

Note 1. Window function mode cannot be set when Low-speed mode is selected (the SPDMD bit in the COMPOCR register is 0).

Note 2. In window function mode, the reference voltage in the comparator is selected regardless of the setting of this bit.

Note 3. The initial value is 0 immediately after a reset is released. However, the value is undefined when C0ENB is set to 0 and C1ENB is set to 0 after operation of the comparator is enabled once.

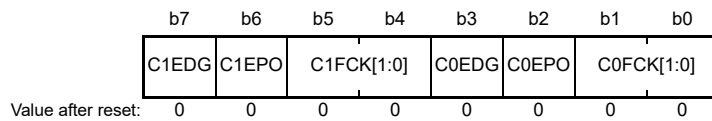
Note 4. The setting is valid only when in standard mode. When in Window function mode, IVREF0 or IVREF1 is selected regardless of the setting of this bit.

Note 5. To change C1WDE and C1VRF, the CRV[6:4] and CRV[2:0] bits must be 000b.

Note 6. To change C0WDE and C0VRF, the CRV[2:0] bits must be 000b.

39.2.2 ACMPLP Filter Control Register (COMPFIR)

Address(es): ACMPLP.COMPFIR 4008 5E01h

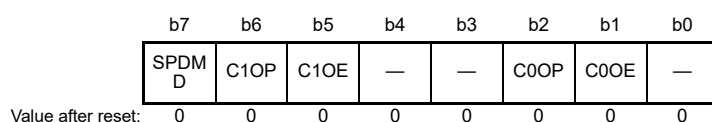


| Bit | Symbol | Bit name | Description | R/W |
|--------|------------|------------------------------------|------------------------------------------------------------------------------------------------------------------------|-----|
| b1, b0 | C0FCK[1:0] | ACMPLP0 Filter Select*1 | b1 b0 0 0: No Sampling (bypass) 0 1: Sampling at PCLKB 1 0: Sampling at PCLKB/8 1 1: Sampling at PCLKB/32. | R/W |
| b2 | C0EPO | ACMPLP0 Edge Polarity Switching*1 | 0: Interrupt and ELC event request on the rising edge 1: Interrupt and ELC event request on the falling edge. | R/W |
| b3 | C0EDG | ACMPLP0 Edge Detection Selection*1 | 0: Interrupt and ELC event request by one-edge detection 1: Interrupt and ELC event request by both-edge detection. | R/W |
| b5, b4 | C1FCK[1:0] | ACMPLP1 Filter Select*1 | b5 b4 0 0: No Sampling (bypass) 0 1: Sampling at PCLKB 1 0: Sampling at PCLKB/8 1 1: Sampling at PCLKB/32. | R/W |
| b6 | C1EPO | ACMPLP1 Edge Polarity Switching*1 | 0: Interrupt and ELC event request on the rising edge 1: Interrupt and ELC event request on the falling edge. | R/W |
| b7 | C1EDG | ACMPLP1 Edge Detection Selection*1 | 0: Interrupt and ELC event request by one-edge detection 1: Interrupt and ELC event request by both-edge detection. | R/W |

Note 1. If bits CiFCK[1:0], CiEPO, and CiEDG (i = 0, 1) are changed, an ACMPLP interrupt request and an ELC event request can be generated. Change these bits only after setting event link to deselect. Also, be sure to clear the associated interrupt request flag.

39.2.3 ACMPLP Output Control Register (COMPOCR)

Address(es): ACMPLP.COMPOCR 4008 5E02h



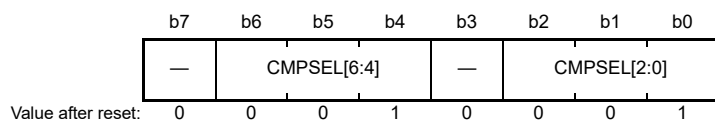
| Bit | Symbol | Bit name | Description | R/W |
|--------|--------|--------------------------------------------|------------------------------------------------------------------------------|-----|
| b0 | — | Reserved | This bit is read as 0. The write value should be 0. | R/W |
| b1 | C0OE | ACMPLP0 VCOUNT Pin Output Enable*1 | 0: Disable ACMPLP0 VCOUNT pin output 1: Enable ACMPLP0 VCOUNT pin output. | R/W |
| b2 | C0OP | ACMPLP0 VCOUNT Output Polarity Selection*1 | 0: Non-inverted 1: Inverted. | R/W |
| b4, b3 | — | Reserved | These bits are read as 0. The write value should be 0. | R/W |
| b5 | C1OE | ACMPLP1 VCOUNT Pin Output Enable*1 | 0: Disable ACMPLP1 VCOUNT pin output 1: Enable ACMPLP1 VCOUNT pin output. | R/W |
| b6 | C1OP | ACMPLP1 VCOUNT Output Polarity Selection*1 | 0: Non-inverted 1: Inverted. | R/W |
| b7 | SPDMD | ACMPLP0/ACMPLP1 Speed Selection*2 | 0: Select comparator Low-speed mode 1: Select comparator High-speed mode. | R/W |

Note 1. ACMPLP0 and ACMPLP1 result outputs are output to the VCOOUT pin.

Note 2. When rewriting the SPDMD bit, be sure to set the CIENB bit (i = 0, 1) in the COMPMDR register to 0 in advance.

39.2.4 Comparator Input Select Register (COMPSEL0)

Address(es): [ACMPLP.COMPSEL0 4008 5E04h](#)



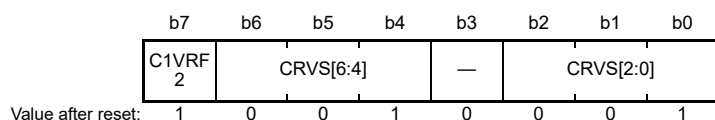
| Bit | Symbol | Bit name | Description | R/W |
|----------|-----------------------------|------------------------------------|---------------------------------------------------------------------------------------------------------------|-----|
| b2 to b0 | CMPSEL[2:0] | ACMPLP0 Input (IVCMP0) Selection*1 | b2 b0 0 0 0: No input 0 0 1: CMPIN0 (P100) 1 0 0: CMPIN0 (P503) Other settings are prohibited. | R/W |
| b3 | — | Reserved | This bit is read as 0. The write value should be 0. | R/W |
| b6 to b4 | CMPSEL[6:4] | ACMPLP1 Input (IVCMP1) Selection*2 | b6 b4 0 0 0: No input 0 0 1: CMPIN1 (P102) 1 0 0: CMPIN1 (P501) Other settings are prohibited. | R/W |
| b7 | — | Reserved | This bit is read as 0. The write value should be 0. | R/W |

Note 1. Writing a value other than 000b is prohibited while the value of CMPSEL[2:0] is not 000b.

Note 2. Writing a value other than 000b is prohibited while the value of CMPSEL[6:4] is not 000b.

39.2.5 Comparator Reference Voltage Select Register (COMPSEL1)

Address(es): [ACMPLP.COMPSEL1 4008 5E05h](#)



| Bit | Symbol | Bit name | Description | R/W |
|-----------|---------------------------|------------------------------------------------|---------------------------------------------------------------------------------------------------------------------------------------------------|-----|
| b2 to b0 | CRVS[2:0] | ACMPLP0 Reference Voltage (IVREF0) Selection*1 | b2 b0 0 0 0: No input 0 0 1: CMPREF0 (P101) 0 1 0: DAC8 (channel 0) output 1 0 0: CMPREF0 (P502) Other settings are prohibited. | R/W |
| b3 | — | Reserved | This bit is read as 0. The write value should be 0. | R/W |
| b6 to b04 | CRVS[6:4] | ACMPLP1 Reference Voltage (IVREF1) Selection*2 | b6 b4 0 0 0: No input 0 0 1: CMPREF1 (P103) 0 1 0: DAC8 (channel 1) output 1 0 0: CMPREF1 (P500) Other settings are prohibited. | R/W |
| b7 | C1VRF2 | ACMPLP1 Reference Voltage Selection 2*3 | 0: IVREF0 selected 1: IVREF1 selected. | R/W |

Note 1. Writing a value other than 000b is prohibited while the value of CRVS[2:0] is not 000b.

Note 2. Writing a value other than 000b is prohibited while the value of CRVS[6:4] is not 000b.

Note 3. To change C1VRF2, bits CRVS[6:4] and CRVS[2:0] must be 000b.

39.3 Operation

ACMPLP0 and ACMPLP1 operate independently, and their operations are the same. Operation is not guaranteed when the values of their associated registers are changed during the comparator operation. Table 39.3 shows the procedure for setting the ACMPLP registers.

Table 39.3 Procedure for setting the ACMPLP associated registers (i = 0, 1)

| Step | Register | Bit | Setting | |
|------|----------------------------------------------------------------------------|------------------------------------|--------------------------------------------------------------------------------------------------------|----------------------------------|
| 1 | MSTPCRD | MSTPD29 | 0: Input clock supply. | |
| 2 | Corresponding Port mn Pin Function Select Register (PmnPFS) | ASEL | Select the analog input | |
| | COMPSEL0 | COMPSEL[2:0], COMPSEL[6:4] | | |
| 3 | COMPOCR | SPDMD | Select the comparator response speed 0: Low-speed mode 1: High-speed mode*1. | |
| 4 | COMPMDR | CiWDE | 0: Window function mode disable | 1: Window function mode enable*2 |
| | | CiVRF*5 | Select the reference voltage | |
| | COMPSEL1 | CRVS[2:0], CRVS[6:4], C1VRF2 | | |
| | COMPMDR | CiENB | 1: Operation enabled | |
| 5 | Waiting for the comparator stabilization time T_{cmp} (min. 100 μ s) | | | |
| 6 | COMPFIR | CiFCK[1:0] | Select whether the digital filter is used or not and the sampling clock | |
| | | CiEPO, CiEDG | Select the edge detection condition for an interrupt request (rising edge/ falling edge/both edges) | |
| 7 | COMPOCR | CiOP, CiOE | Set the VCOOUT output (select the polarity and set output enabled or disabled) | |
| | Corresponding Port mn Pin Function Select Register (PmnPFS) | PSEL, PMR | Select the VCOOUT port function | |
| 8 | IELSRn | IR, IELS[7:0] | When using an interrupt: select the interrupt status flag, ICU event link select*3 | |
| 9 | ELSRn | ELS[7:0] | When using an ELC: Select the Event Link Select*4 | |
| 10 | Operation started | | | |

Note 1. ACMPLP0 and ACMPLP1 cannot be set independently.

Note 2. Can only be set in High-speed mode (SPDMD = 1).

Note 3. After the comparator setting, an unnecessary interrupt might occur until operation becomes stable, so initialize the interrupt flag.

Note 4. After the comparator setting, an unnecessary interrupt might occur until operation becomes stable, so initialize the event link select.

Note 5. To change to internal reference voltage (Vref), follow the procedure in [section 39.2.1, ACMPLP Mode Setting Register \(COMPMDR\)](#).

Figure 39.3 shows an operating example of the ACMPLPi (i = 0, 1) when window function is disabled.

The reference input voltage (IVREFi) or internal reference voltage (Vref) and the analog input voltage (IVCMPi) are compared as follows:

- If the analog input voltage is higher than the reference input voltage, the COMPMDR.CiMON bit is set to 1
- If the analog input voltage is lower than the reference input voltage, the CiMON bit is set to 0.

ACMPLPi outputs an interrupt to the ICU. For details on the interrupt, see [section 39.5, ACMPLP Interrupts](#). ACMPLPi also outputs an event signal to the ELC to activate other modules. For details on the ELC, see [section 39.6, ELC Event](#)

Output. Do not change the values of the registers during the comparison.

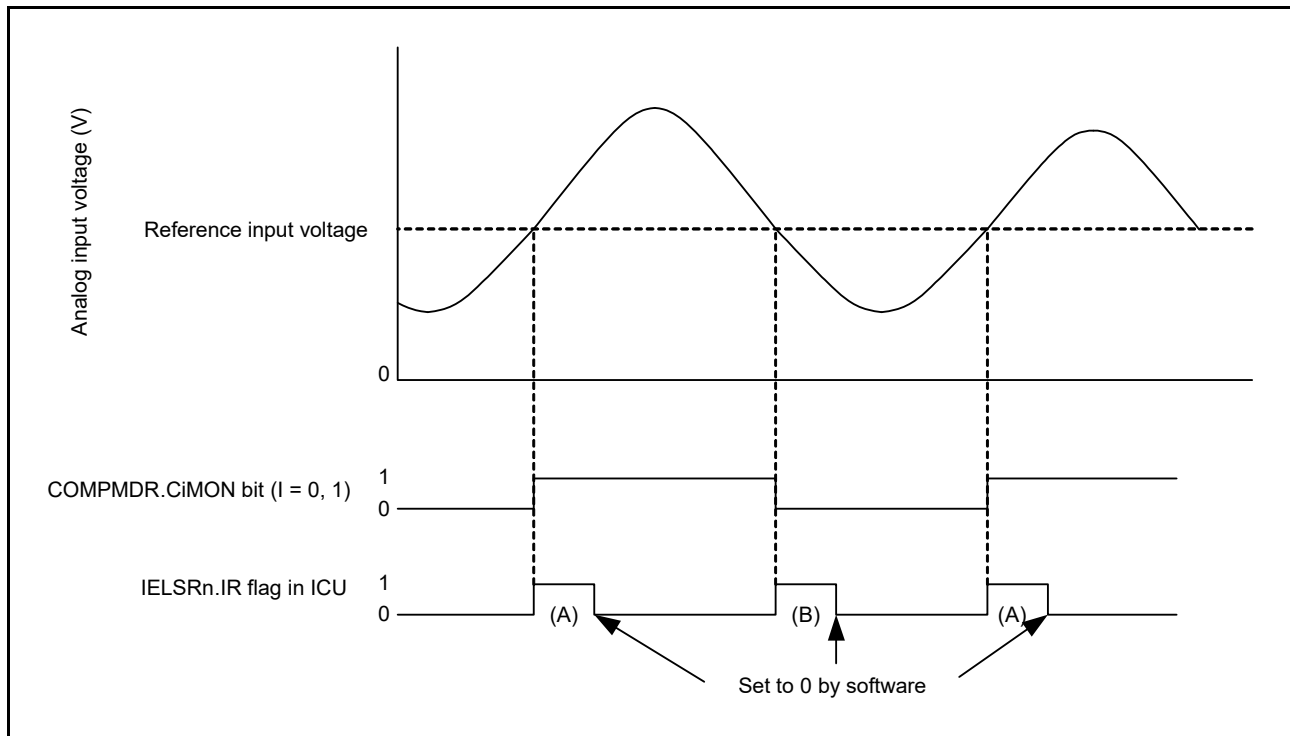


Figure 39.3 Operating example of ACMPLPi (i = 0, 1) when window function is disabled

Figure 39.3 applies when the following conditions are met:

- CiFCK[1:0] = 00b (no sampling) and CiEDG = 1 (both edges)
- When CiEDG = 0 and CiEPO = 0 (rising edge), IELSRn.IR changes as shown by (A) only
- When CiEDG = 0 and CiEPO = 1 (falling edge), IELSRn.IR changes as shown by (B) only.

Figure 39.4 shows an operation example of ACMPLPi (i = 0, 1) when the window function is enabled.

The reference voltage (IVREF0/IVREF1) and the analog input voltage are compared. The CiMON bit:

- Is set to 1 when $IVREF0 < \text{the analog input voltage} < IVREF1$
- Is set to 0 when the analog input voltage $< IVREF0$ or $IVREF1 < \text{the analog input voltage}$.

ACMPLPi outputs an interrupt to the ICU. For details on the interrupt, see [section 39.5, ACMPLP Interrupts](#). ACMPLPi also outputs an event signal to the ELC to activate other modules. For details on the ELC, see [section 39.6, ELC Event Output](#). Do not change the values of the registers during the comparison.

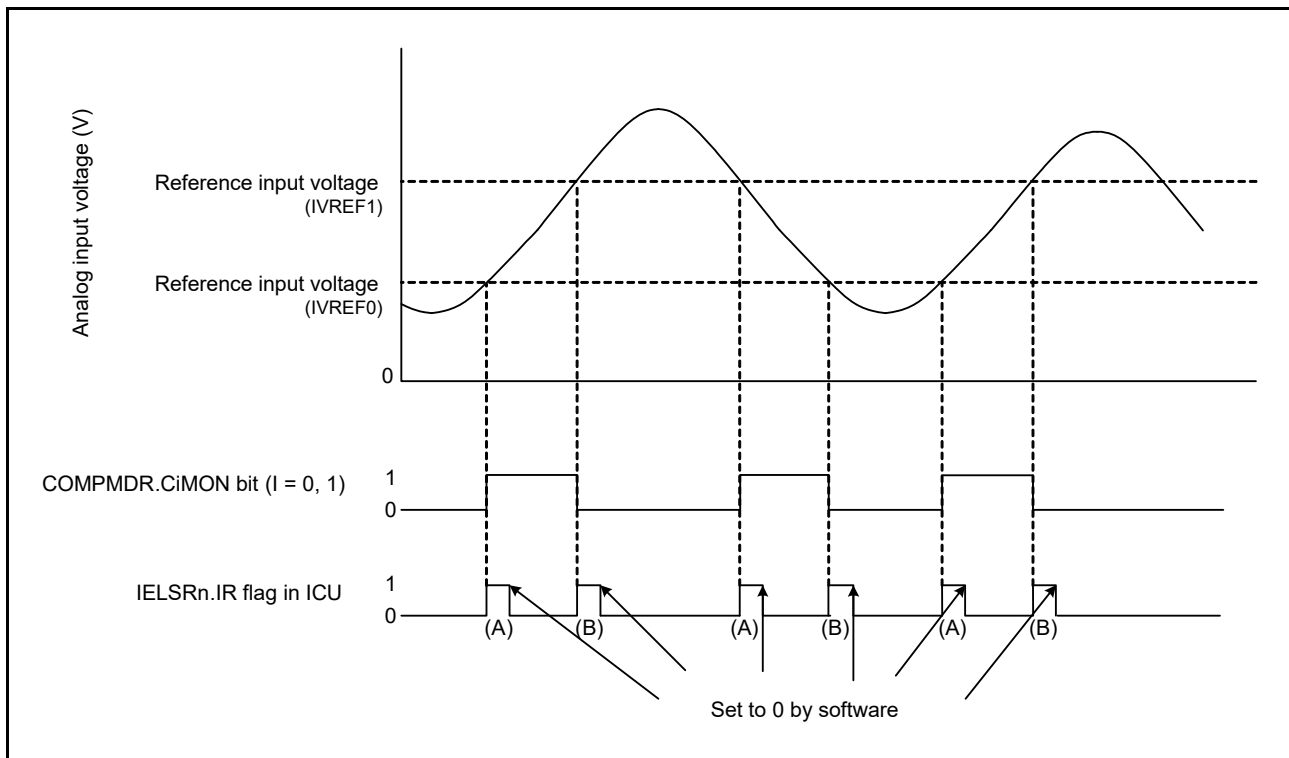


Figure 39.4 Operating example of ACMPLPi ($i = 0, 1$) when window function is enabled

Figure 39.4 applies when the following conditions are met:

- CiFCK[1:0] = 00b (no sampling) and CiEDG = 1 (both edges)
- When CiEDG = 0 and CiEPO = 0 (rising edge), IELSRn.IR changes as shown by (A) only
- When CiEDG = 0 and CiEPO = 1 (falling edge), IELSRn.IR changes as shown by (B) only.

39.4 Noise Filter

Figure 39.5 shows the configuration of the ACMPLPi noise filter, and Figure 39.6 shows an operating example of the ACMPLPi noise filter.

The sampling clock can be selected in the COMPFIR.CiFCK[1:0] bits. The ACMP_LPi signal (internal signal) output from ACMPLPi is sampled at every sampling clock cycle. When the level matches three times, the corresponding IELSRn.IR bit is set to 1 (interrupt requested) and an ELC event is output.

When using an interrupt in Software Standby mode, set the COMPFIR.CiFCK[1:0] bits to 00b (bypass).

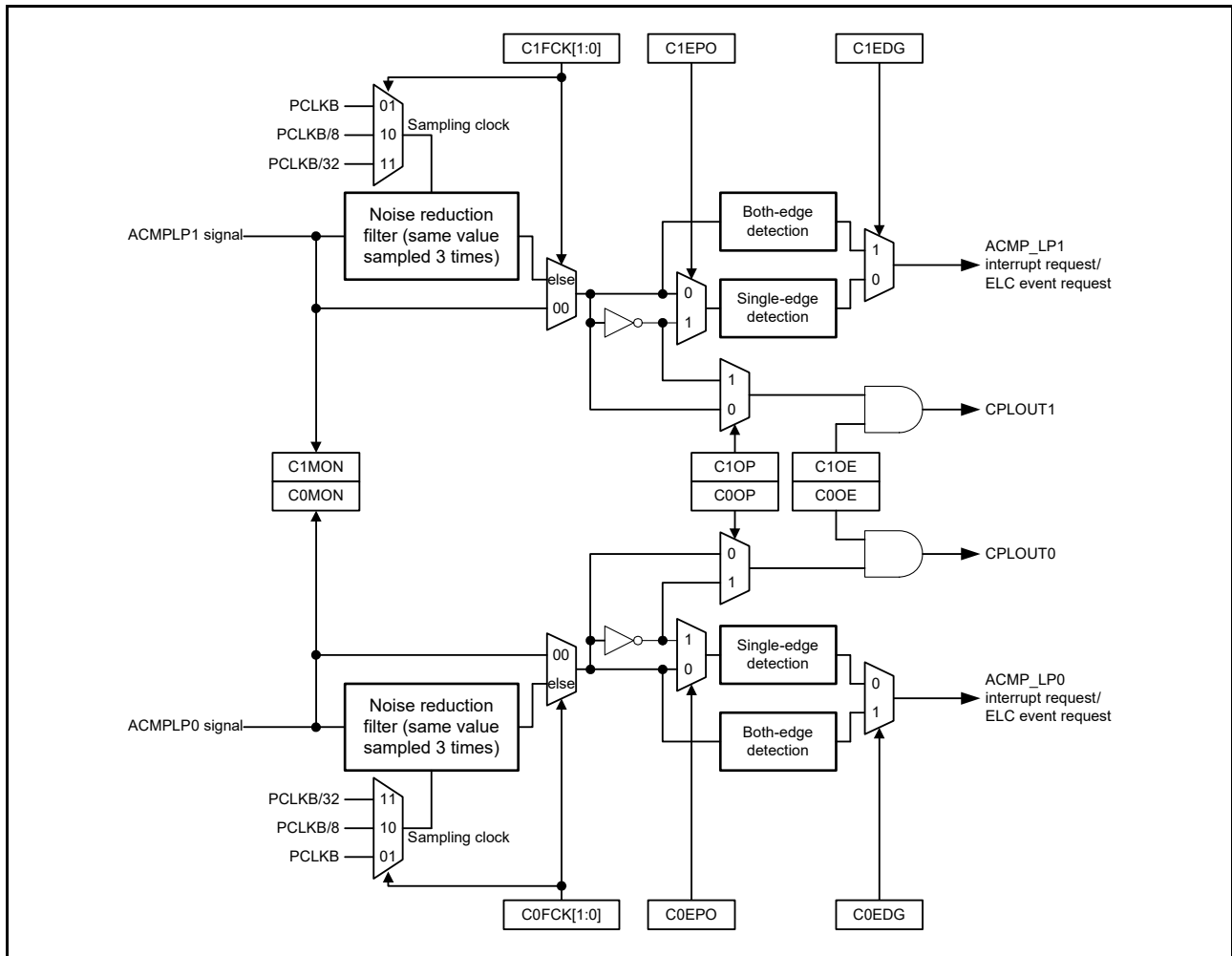


Figure 39.5 Noise filter and edge detection configuration

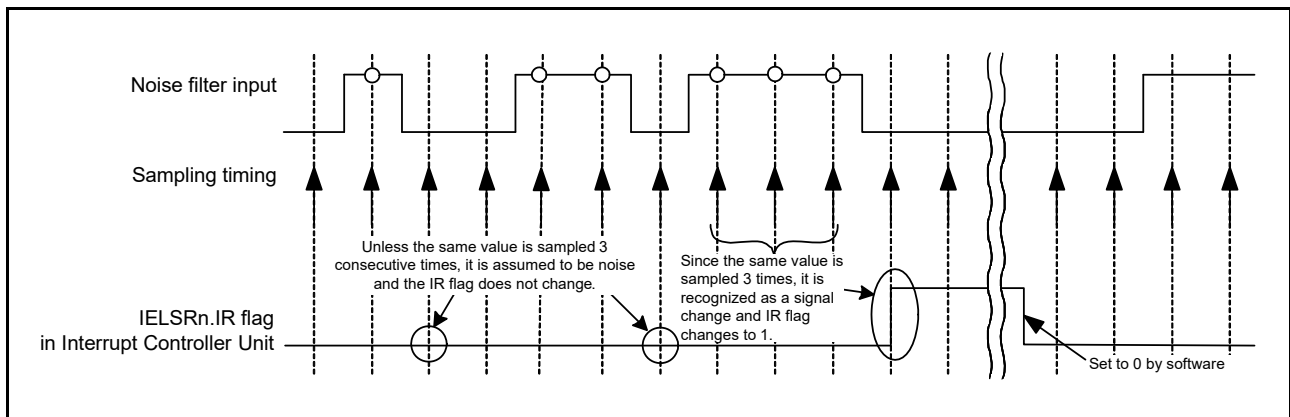


Figure 39.6 Noise filter and interrupt operation example

39.5 ACMPLP Interrupts

The ACMPLP generates interrupt requests from the ACMPLP0 and ACMPLP1 sources. To use the ACMPLP_i (i = 0 and 1) interrupt, select it in the IELSR_n register in the ICU. You can select either single-edge detection or both-edge detection using the COMPFIR.CiEDG bit. When single-edge detection is selected, select the polarity using the CiEPO bit.

The interrupt output can also be passed through the noise filter, which uses one of the three different sampling clocks, as

selected in the COMPFIR.CiFCK[1:0] bits. Set the COMPFIR.CiFCK[1:0] bits to 01b, 10b, or 11b to select the respective sampling clock. To use the ACMPLP0 interrupt request to release Software Standby mode or Snooze mode, set COMPFIR.C0FCK[1:0] to 00b (no sampling). The ACMPLP1 interrupt request cannot be used to release Software Standby mode or Snooze mode.

39.6 ELC Event Output

The ELC uses the ACMPLP interrupt request signal as an ELC event signal, enabling link operation for the preset module. To use the ELC events of the ACMPLP, select them in the ELSRn register in the ELC. When using ELC event request, set the COMPFIR.CiFCK[1:0] bits to 01b, 10b, or 11b.

39.7 Interrupt Handling and ELC Linking

ACMPLPi outputs event signals to the ELC to initiate operations of other modules selected in advance. In the same way as for the interrupt sources, the conditions for generation of the event signals output from ACMPLPi to the ELC can be selected as a single-edge detection or both-edge detection by setting the COMPFIR.CiEDG bit. When the single-edge detection is selected, the polarity can be selected by the CiEPO bit.

39.8 Comparator Pin Output

The comparison result from ACMPLPi can be output to external pins. Use the COMPOCR.CiOP and CiOE bits to set the output polarity (non-inverted output or inverted output) and to enable or disable the comparison output.

To output the ACMPLP comparison result to the VCOUT output pin by the CPLOUTi, set the corresponding Port mn Pin Function Select Register (PmnPFS) in the I/O register.

For the register settings and associated comparator output, see [section 39.2.3, ACMPLP Output Control Register \(COMPOCR\)](#).

39.9 Usage Notes

39.9.1 Settings for the Module-Stop State

The Module Stop Control Register can enable or disable the ACMPLP operation. The ACMPLP is initially stopped after reset. Releasing the module-stop state enables access to the registers. For details, see [section 10, Low Power Modes](#).

39.9.2 Relationship with A/D converter

Constraints apply on the simultaneous use of ACMPLP analog input and A/D converter analog input. For details, see [section 35.8.13, Relationship between the ADC14, OPAMP, and ACMPLP](#).

40. 8-Bit D/A Converter (DAC8)

40.1 Overview

Table 40.1 lists the specifications of the 8-bit D/A converter, and Figure 40.1 shows the block diagram.

Table 40.1 DAC8 specifications

| Parameter | Specifications |
|----------------------|--------------------------------------------------------------|
| Resolution | 8 bits |
| Output channels | 2 channels |
| Module-stop function | The module-stop state can be set to reduce power consumption |

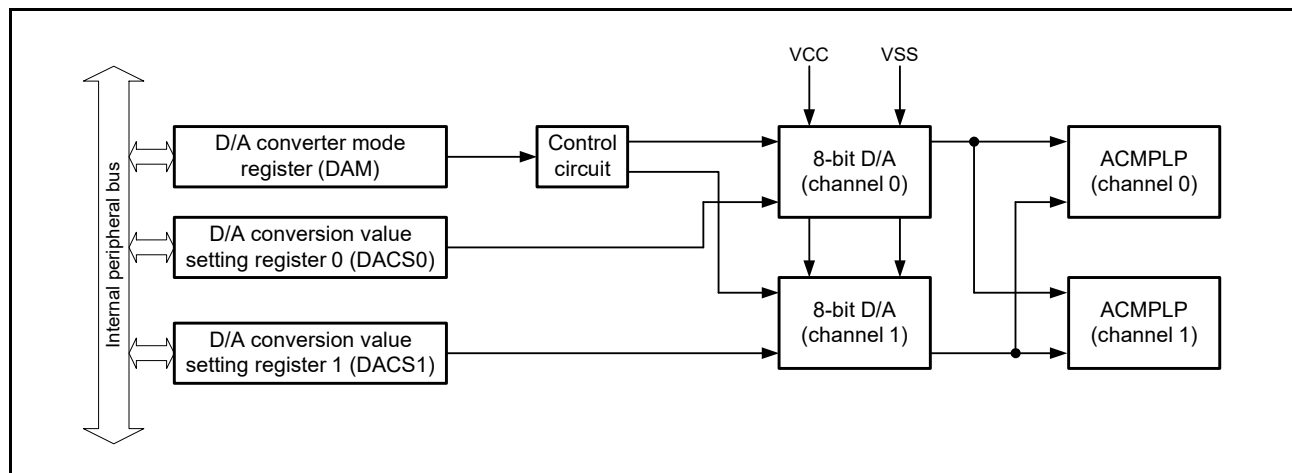
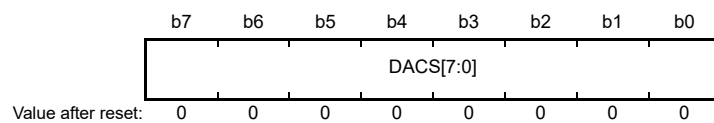


Figure 40.1 DAC8 converter block diagram

40.2 Register Descriptions

40.2.1 D/A Conversion Value Setting Register n (DACS_n) (n = 0, 1)

Address(es): [DAC8.DACS0 4009 E000h](#), [DAC8.DACS1 4009 E001h](#)

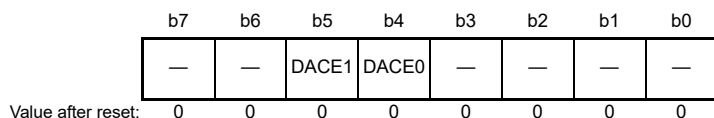


The DACS_n register is an 8-bit read/write register that stores data for D/A conversion. When D/A conversion is enabled, the value in the DACS_n register is converted and output to an ACMPPL.

When DAC8 output is selected as the reference input for the ACMPPL in the COMPSEL1 register, and ACMPPL operation is enabled (COMPMDR.CnENB = 1), changing the DACS[7:0] bits for the channel in use is prohibited.

40.2.2 D/A Converter Mode Register (DAM)

Address(es): DAC8.DAM 4009 E003h



| Bit | Symbol | Bit name | Description | R/W |
|----------|--------|------------------------|--------------------------------------------------------------------------------------|-----|
| b3 to b0 | — | Reserved | These bits are read as 0. The write value should be 0. | R/W |
| b4 | DACE0 | D/A Operation Enable 0 | 0: D/A conversion disabled for channel 0 1: D/A conversion enabled for channel 0. | R/W |
| b5 | DACE1 | D/A Operation Enable 1 | 0: D/A conversion disabled for channel 1 1: D/A conversion enabled for channel 1. | R/W |
| b7, b6 | — | Reserved | These bits are read as 0. The write value should be 0. | R/W |

DACEn bit (D/A Operation Enable n) (n = 0, 1)

The DACEn bit enables or disables D/A conversion.

When a DAC8 output is selected as the reference input for the ACMPLP in the COMPSEL1 register, and ACMPLP operation is enabled (COMPMDR.CnENB = 1), changing the DACEn bits for the channel in use is prohibited.

40.3 Operation

The 8-bit D/A converter includes D/A conversion circuits for two channels, each of which can operate independently. When the DAM.DACEn bit (n = 0, 1) is set to 1, the 8-bit D/A converter is enabled and the conversion result is output to ACMPLP.

The following describes an operation example when performing D/A conversion for channel 0:

1. Set the data for D/A conversion to the DACS0 register.
2. Set the DAM.DACE0 bit to 1 to start D/A conversion. The conversion result is output to ACMPLP. The conversion result is continuously being output until the DACS0 is rewritten or the DAM.DACE0 bit is set to 0 (D/A conversion disabled).

The output value (reference) is calculated with the following formula:

$$\frac{\text{DACS0 register}}{256} \times VCC$$

3. Set the COMPSEL1 register, and select 8-bit D/A Converter as the reference voltage.
4. Set the COMPMDR.CiENB bit to 1.
5. Wait for the comparator stabilization time T_{cmp} (min. 100 μs). For details, see [section 39, Low-Power Analog Comparator \(ACMPLP\)](#).

40.4 Usage Notes

40.4.1 Module-Stop State

The Module Stop Control Register can enable or disable operation of the 8-bit D/A converter. The 8-bit D/A converter is stopped after a reset. The registers become accessible when the module-stop state is canceled. For details, see [section 10, Low Power Modes](#).

40.4.2 Operation of the 8-bit D/A Converter in Module-Stop State

When the MCU enters the module-stop state with D/A conversion enabled, D/A outputs are retained. The power supply current is the same as the one during D/A conversion. If the power supply current must be reduced in the module-stop

state, disable D/A conversion by setting the DAM.DACEn bits to 0.

40.4.3 8-bit D/A Converter in Software Standby Mode Operation

When the MCU enters Software Standby mode with D/A conversion enabled, D/A outputs are retained. The power supply current is the same as the one during D/A conversion. If the power supply current must be reduced in Software Standby mode, disable D/A conversion by setting the DAM.DACEn bits to 0.

40.4.4 When Not Using the D/A Converter

When not using the 8-bit D/A Converter, set the DAM.DACEn bit to 0 (output disabled), the DACSn register to 00h, so that current does not flow and the current consumption can be reduced.

41. Capacitive Touch Sensing Unit (CTSUS)

41.1 Overview

The Capacitive Touch Sensing Unit (CTSUS) measures the electrostatic capacitance of the touch sensor. Changes in the electrostatic capacitance are determined by software that enables the CTSUS to detect whether a finger is in contact with the touch sensor. The electrode surface of the touch sensor is usually enclosed with an electrical insulator so that a finger does not come into direct contact with the electrode.

As [Figure 41.1](#) shows, electrostatic capacitance (parasitic capacitance) exists between the electrode and the surrounding insulators. Because the human body is an electrical conductor, when a finger is placed close to the electrode, the value of electrostatic capacitance increases.

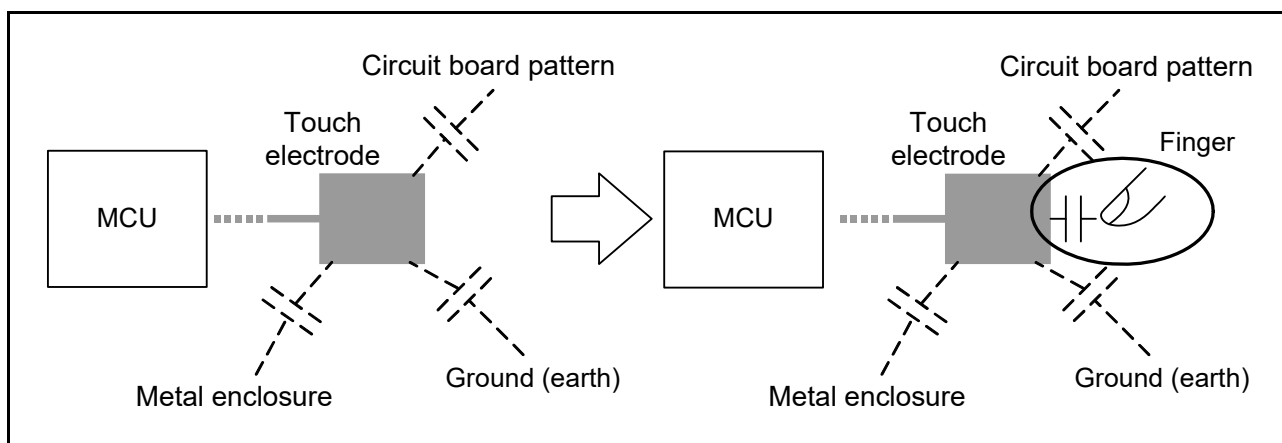


Figure 41.1 Increased electrostatic capacitance because of the presence of a finger

Electrostatic capacitance is detected by the self-capacitance and mutual-capacitance methods. In the self-capacitance method, the CTSUS detects electrostatic capacitance generated between a finger and a single electrode. In the mutual-capacitance method, two electrodes are used, one as a transmit electrode and the other as a receive electrode. The CTSUS detects the change in the electrostatic capacitance generated between the two when a finger is placed close to them.

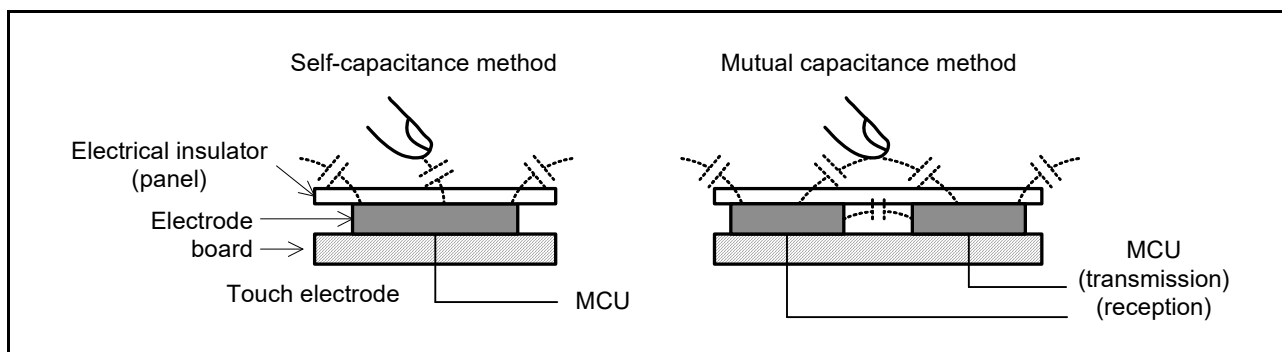


Figure 41.2 Self-capacitance and mutual-capacitance methods

Electrostatic capacitance is measured by counting a clock signal whose frequency changes according to the amount of charged or discharged current, for a specified period. For details on the measurement principles of the CTSUS, see [section 41.3.1, Principles of Measurement Operation](#). [Table 41.1](#) lists the CTSUS specifications and [Figure 41.3](#) shows a block diagram.

Table 41.1 CTSU specifications

| Parameter | Description | |
|------------------------------|--------------------------------------------------------------------------------------------------------------------------------------------------|-------------------------------------------------------------------------------------------------------------|
| Operating clocks | PCLKB, PCLKB/2, or PCLKB/4 | |
| Pins | Electrostatic capacitance measurement | 27 channels (TS00 to TS13, TS17 to TS22, TS27 to TS31, TS34, TS35) |
| | TSCAP | Low Pass Filter (LPF) connection pin |
| Measurement modes | Self-capacitance single scan mode | Electrostatic capacitance is measured on one channel using the self-capacitance method |
| | Self-capacitance multiscan mode | Electrostatic capacitance is measured successively on multiple channels using the self-capacitance method |
| | Mutual-capacitance full scan mode | Electrostatic capacitance is measured successively on multiple channels using the mutual-capacitance method |
| Noise prevention | Synchronous noise prevention, high-pass noise prevention | |
| Measurement start conditions | <ul style="list-style-type: none"> • Software trigger • External trigger (ELC_CTSU from the Event Link Controller (ELC)) | |

As [Figure 41.3](#) shows, the CTSU consists of the following components:

- Status control block
- Trigger control block
- Clock control block
- Channel control block
- Port control block
- Sensor drive pulse generator
- Measurement block
- Interrupt block
- I/O registers.

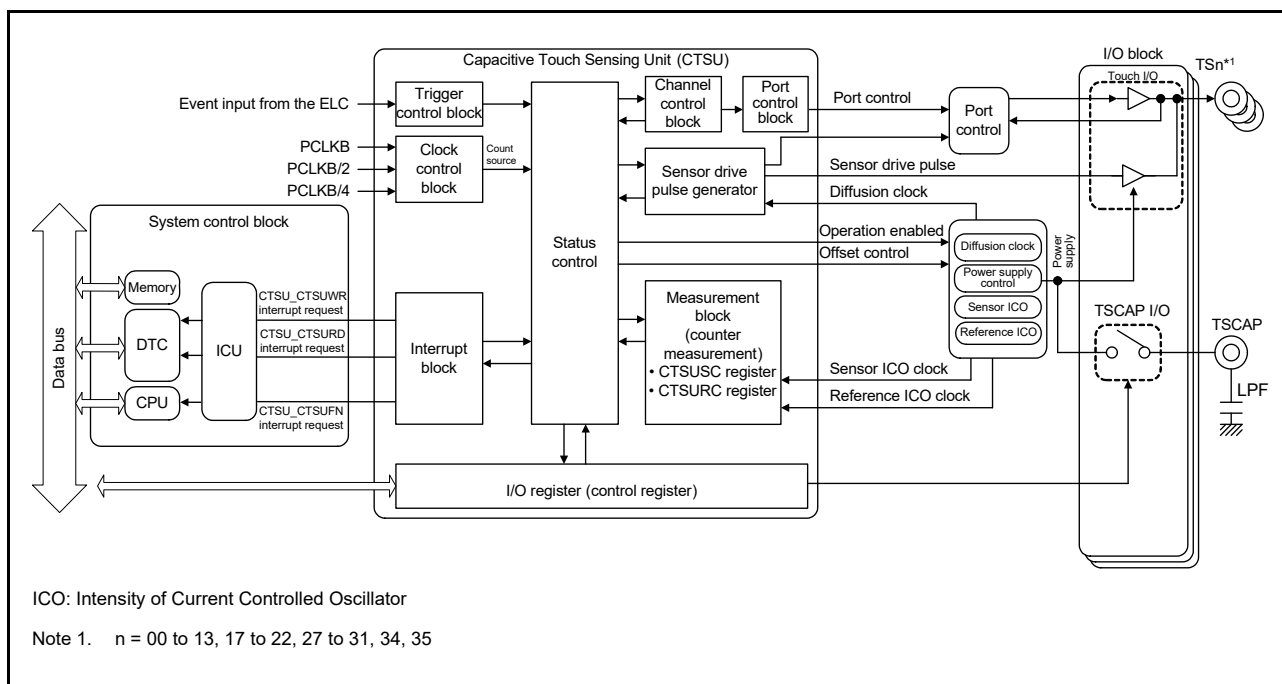


Figure 41.3 CTSUS block diagram

Table 41.2 CTSU pin configuration

| Pin name | I/O | Function |
|------------------------------------------------------|-------|--------------------------------------------------------|
| TS00 to TS13, TS17 to TS22, TS27 to TS31, TS34, TS35 | Input | Electrostatic capacitive measurement pins (touch pins) |
| TSCAP | - | LPF connection pin |

41.2 Register Descriptions

41.2.1 CTSU Control Register 0 (CTSUCR0)

Address(es): CTSU.CTSUCR0 4008 1000h

| b7 | b6 | b5 | b4 | b3 | b2 | b1 | b0 |
|----|----|----|--------------|----|-------------|-------------|--------------|
| — | — | — | CTSUI NIT | — | CTSUS NZ | CTSUC AP | CTSUS TRT |

Value after reset: 0 0 0 0 0 0 0 0

| Bit | Symbol | Bit name | Description | R/W |
|----------|----------|-------------------------------------------------|--------------------------------------------------------------------------------------------------------------------------------------------------------------------------|-----|
| b0 | CTSUSTRT | CTSU Measurement Operation Start | 0: Stop measurement operation* ¹ 1: Start measurement operation. | R/W |
| b1 | CTSUCAP | CTSU Measurement Operation Start Trigger Select | 0: Software trigger 1: External trigger. | R/W |
| b2 | CTSUSNZ | CTSU Wait State Power-Saving Enable | This bit sets the power-saving function during a wait state: 0: Disable power-saving function during wait state 1: Enable power-saving function during wait state. | R/W |
| b3 | — | Reserved | This bit read as 0. The write value should be 0. | R/W |
| b4 | CTSUINIT | CTSU Control Block Initialization | Writing 1 to this bit initializes the CTSU control block and the CTSUSC, CTSURC, CTSUMCH0, CTSUMCH1, and CTSUST registers. This bit is read as 0. | W |
| b7 to b5 | — | Reserved | These bits are read as 0. The write value should be 0. | R/W |

Note 1. When the CTSU is not used, fix this bit to 0.

Only set the CTSUCAP and CTSUSNZ bits when the CTSUSTRT bit is 0. These bits can be set at the same time that the measurement operation starts.

CTSUSTRT bit (CTSU Measurement Operation Start)

The CTSUSTRT bit specifies whether CTSU operation starts or stops. When the CTSUCAP bit is 0, measurement starts when software writes 1 to the CTSUSTRT bit (software trigger), and stops when hardware clears the CTSUSTRT bit to 0. When the CTSUCAP bit is 1, the CTSU waits for an external trigger by writing 1 to the CTSUSTRT bit, and measurement starts on the rising edge of the external trigger. When measurement is stopped, the CTSU waits for the next external trigger, and operation continues.

Table 41.3 lists the CTSU states.

Table 41.3 CTSU states

| CTSUSTRT bit | CTSUCAP bit | CTSU state |
|--------------|-------------|---------------------------------------------------------------------------|
| 0 | 0 | Stopped |
| 0 | 1 | Stopped |
| 1 | 0 | Measurement in progress |
| 1 | 1 | Measurement in progress and waiting for an external trigger* ¹ |

Note 1. The state can be read from the CTSUST.CTSUSTC[2:0] flags as follows:
 During measurement: CTSUST.CTSUSTC[2:0] flags ≠ 000b
 While waiting for an external trigger: CTSUST.CTSUSTC[2:0] flags are 000b

If software sets the CTSUSTRT bit to 1 when the bit is already 1, the write is ignored and operation continues. To force operation to stop through software when the CTSUSTRT bit is 1, set the CTSUSTRT bit to 0 and the CTSUINIT bit to 1 at the same time.

CTSUCAP bit (CTSU Measurement Operation Start Trigger Select)

The CTSUCAP bit specifies the measurement start condition. For details, see [CTSUSTRT bit \(CTSU Measurement Operation Start\)](#).

CTSUSNZ bit (CTSU Wait State Power-Saving Enable)

The CTSUSNZ bit enables or disables power-saving operation during a wait state. It can also suspend the CTSU power supply, which decreases power consumption during the wait state. In the suspended state, the CTSU power supply is turned off while the external TSCAP is still charged.

Table 41.4 shows the CTSU power supply state control.

Table 41.4 CTSU power supply state control

| CTSUCR1.CTSUPON bit | CTSUSNZ bit | CTSUCAP bit | CTSUSTRT bit | CTSU power supply state |
|---------------------|-------------|-------------|--------------|-------------------------|
| 0 | 0 | 0 | 0 | Stopped |
| 1 | 0 | - | - | Operating |
| 1 | 1 | 0 | 0 | Suspended |

Note: Settings other than those listed in the table are prohibited.

To start measurement from the suspended state, set the CTSUSNZ bit to 0, and then set the CTSUSTRT bit to 1. To suspend the module after measurement stops, set the CTSUSNZ bit to 1.

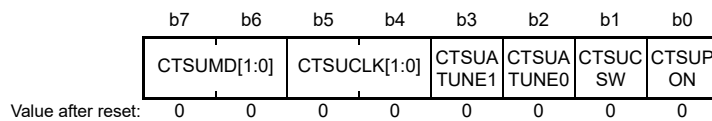
CTSUINIT bit (CTSU Control Block Initialization)

Write 1 to the CTSUINIT bit to initialize the control registers. To force the current operation to stop, set the CTSUSTRT bit to 0 and the CTSUINIT bit to 1 at the same time. This stops the operation and initializes the internal control registers.

Do not write 1 to the CTSUINIT bit when the CTSUSTRT bit is 1.

41.2.2 CTSU Control Register 1 (CTSUCR1)

Address(es): CTSU.CTSUCR1 4008 1001h



| Bit | Symbol | Bit name | Description | R/W |
|-----|-------------|------------------------------------------|-----------------------------------------------------------------------------------------------------------------------------------------------------|-----|
| b0 | CTSUPON | CTSU Power Supply Enable | This bit controls the CTSU power supply: 0: Power off 1: Power on. | R/W |
| b1 | CTSUCSW | CTSU LPF Capacitance Charging Control | This bit controls charging of the LPF capacitance connected to the TSCAP pin: 0: Turn off capacitance switch 1: Turn on capacitance switch. | R/W |
| b2 | CTSUA TUNE0 | CTSU Power Supply Operating Mode Setting | VCC ≥ 2.4 V 0: Normal operating mode 1: Low-voltage operating mode. VCC < 2.4 V 0: Setting prohibited 1: Low-voltage operating mode. | R/W |
| b3 | CTSUA TUNE1 | CTSU Power Supply Capacity Adjustment | 0: Normal output 1: High-current output. | R/W |

| Bit | Symbol | Bit name | Description | R/W |
|--------|------------------------------|-------------------------------|----------------------------------------------------------------------------------------------------------------------------------------------------------------------------------------------------------|-----|
| b5, b4 | CTSUCLK[1:0] | CTSUS Operating Clock Select | These bits select the operating clock: b5 b4 0 0: PCLKB 0 1: PCLKB/2 (PCLKB divided by 2) 1 0: PCLKB/4 (PCLKB divided by 4) 1 1: Setting prohibited. | R/W |
| b7, b6 | CTSUMD[1:0] | CTSUS Measurement Mode Select | These bits select the measurement mode: b7 b6 0 0: Self-capacitance single scan mode 0 1: Self-capacitance multiscan mode 1 0: Setting prohibited 1 1: Mutual capacitance full scan mode. | R/W |

Only set the CTSUCR1 register when the CTSUCR0.CTSUSTRT bit is 0.

CTSUPON bit (CTSUS Power Supply Enable)

The CTSUPON bit controls the power supply to the CTSUS. Set the CTSUPON and CTSUCSW bits to the same value.

CTSUCSW bit (CTSUS LPF Capacitance Charging Control)

The CTSUCSW bit controls charging of the LPF capacitor connected to the TSCAP pin by turning the capacitance switch on or off. After the capacitance switch is turned on, wait until the capacitance connected to the TSCAP pin is charged for the specified time before starting measurement by setting CTSUCR0.CTSUSTRT to 1. Before starting measurement, use an I/O port to output low to the TSCAP pin, and discharge the existing LPF capacitance. Set the CTSUPON and CTSUCSW bits to the same value.

CTSUAATUNE0 bit (CTSUS Power Supply Operating Mode Setting)

The CTSUAATUNE0 bit sets the power supply operating mode. Set this bit to the lower limit of VCC to operate the CTSUS. As an example, when performing touch measurement in a system where VCC varies depending on battery operation, set this bit to 1 regardless of the initial VCC voltage. The VCC voltage range is 2 to 3 V.

CTSUAATUNE1 bit (CTSUS Power Supply Capacity Adjustment)

The CTSUAATUNE1 bit sets the capacity of the CTSUS power supply. Normally, set this bit to 0.

CTSUCLK[1:0] bits (CTSUS Operating Clock Select)

The CTSUCLK[1:0] bits select the operating clock.

CTSUMD[1:0] bits (CTSUS Measurement Mode Select)

The CTSUMD bits set the measurement mode. For details, see [section 41.3.2, Measurement Modes](#).

41.2.3 CTSUS Synchronous Noise Reduction Setting Register (CTSUSDPRS)

Address(es): [CTSUS.CTSUSDPRS 4008 1002h](#)

| Bit | Symbol | Bit name | Description |
|------------------------------------|------------------|----------|-------------|
| b7 | — | | |
| b6 | CTSUS OFF | | |
| b5 | CTSUSPRMODE[1:0] | | |
| b4 | | | |
| b3 | | | |
| b2 | | | |
| b1 | | | |
| b0 | | | |
| Value after reset: 0 0 0 0 0 0 0 0 | | | |

| Bit | Symbol | Bit name | Description | R/W |
|----------|-----------------------------------|---------------------------------------------------|--------------------------------------------------------------------------------------------------------------------------|-----|
| b3 to b0 | CTSUSPRRATIO[3:0] | CTSUS Measurement Time and Pulse Count Adjustment | These bits set the measurement time and the number of measurement pulses. The recommended setting value is 3 (0011b). | R/W |

| Bit | Symbol | Bit name | Description | R/W |
|--------|---------------------------------|-----------------------------------------------------|---------------------------------------------------------------------------------------------------------------------------------------------------------|-----|
| b5, b4 | CTSUPRMODE[1:0] | CTSU Base Period and Pulse Count Setting | These bits set the base pulse count: b5 b4 0 0: 510 pulses 0 1: 126 pulses 1 0: 62 pulses (recommended setting) 1 1: Setting prohibited. | R/W |
| b6 | CTSUSOFF | CTSU High-Pass Noise Reduction Function Off Setting | This bit turns spectrum diffusion on or off to reduce high-pass noise: 0: Turn on 1: Turn off. | R/W |
| b7 | — | Reserved | This bit is read as 0. The write value should be 0. | R/W |

Only set the CTSUSDPRS register when the CTSUCR0.CTSUSTRT bit is 0.

[CTSUPRRATIO\[3:0\] bits \(CTSU Measurement Time and Pulse Count Adjustment\)](#)

The CTSUPRRATIO[3:0] bits determine the measurement time and the measurement pulse count. These values are calculated using the following formulas, where the base pulse count is determined by the CTSUPRMODE[1:0] setting:

$$\text{Measurement pulse count} = \text{base pulse count} \times (\text{CTSUPRRATIO}[3:0] \text{ bits} + 1)$$

$$\text{Measurement time} = (\text{base pulse count} \times (\text{CTSUPRRATIO}[3:0] \text{ bits} + 1) + \text{base pulse count} - 2) \times 0.25 \times \text{base clock cycle}$$

Note: For details on the base clock cycle, see [section 41.2.21, CTSU Sensor Offset Register 1 \(CTSUSO1\)](#).

[CTSUPRMODE\[1:0\] bits \(CTSU Base Period and Pulse Count Setting\)](#)

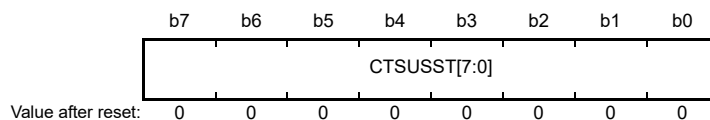
The CTSUPRMODE[1:0] bits select the number of base pulses that occur during measurement.

[CTSUSOFF bit \(CTSU High-Pass Noise Reduction Function Off Setting\)](#)

The CTSUSOFF bit turns on or off the function for reducing high-pass noise. Set this bit to 1 to turn the function off.

41.2.4 [CTSU Sensor Stabilization Wait Control Register \(CTSUSST\)](#)

Address(es): [CTSU.CTSUSST 4008 1003h](#)



| Bit | Symbol | Bit name | Description | R/W |
|----------|------------------------------|----------------------------------------|------------------------------------------|-----|
| b7 to b0 | CTSUSST[7:0] | CTSU Sensor Stabilization Wait Control | Set the value of these bits to 00010000b | R/W |

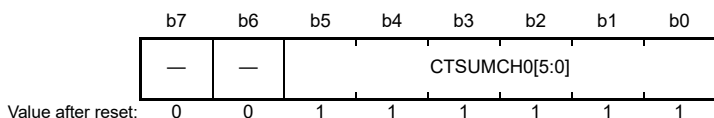
Only set the CTSUSST register when the CTSUCR0.CTSUSTRT bit is 0.

[CTSUSST\[7:0\] bits \(CTSU Sensor Stabilization Wait Control\)](#)

The CTSUSST[7:0] bits set the stabilization wait time for the TSCAP pin voltage. Always set these bits to 00010000b. If these bits are not set, the TSCAP voltage becomes unstable at the start of measurement, and the CTSU is unable to obtain correct touch measurement results.

41.2.5 CTSU Measurement Channel Register 0 (CTSUSMCH0)

Address(es): CTSUSMCH0 4008 1004h



| Bit | Symbol | Bit name | Description | R/W |
|---------------------------------------------------------------------------------------------------------------------------------|----------------|-----------------------------|---------------------------------------------------------------------------------------------------------------------------------------------------------------------------------------------------------------------------------------------------------------------------------------------------------------------------------------------------------------------------------------------------------------------------------------------------------------------------------------------------------------------------------------------------------------------------------------------------------------------------|-------|
| b5 to b0 | CTSUSMCH0[5:0] | CTSUS Measurement Channel 0 | In self-capacitance single scan mode, these bits set a channel to be measured: b5 b0 0 0 0 000: TS00 0 0 0 001: TS01 0 0 0 010: TS02 0 0 0 011: TS03 0 0 0 100: TS04 0 0 0 101: TS05 0 0 0 110: TS06 0 0 0 111: TS07 0 0 1 000: TS08 0 0 1 001: TS09 0 0 1 010: TS10 0 0 1 011: TS11 0 0 1 100: TS12 0 0 1 101: TS13 0 1 0 001: TS17 0 1 0 010: TS18 0 1 0 011: TS19 0 1 0 100: TS20 0 1 0 101: TS21 0 1 0 110: TS22 0 1 1 011: TS27 0 1 1 100: TS28 0 1 1 101: TS29 0 1 1 110: TS30 0 1 1 111: TS31 1 0 0 010: TS34 1 0 0 011: TS35. | R/W*1 |
| Other than when specified, the starting measurement operation when CTSUCR0.CTSUSTRT = 1 is prohibited after these bits are set. | | | | |

| Bit | Symbol | Bit name | Description | R/W |
|-----------------------------------------------------------------------------------------------|--------|----------|--------------------------------------------------------|-----|
| In other measurement modes, these bits indicate the channel that is currently being measured: | | | | |
| | | | b5 b0 | |
| | | | 0 0 0 000: TS00 | |
| | | | 0 0 0 001: TS01 | |
| | | | 0 0 0 010: TS02 | |
| | | | 0 0 0 011: TS03 | |
| | | | 0 0 0 100: TS04 | |
| | | | 0 0 0 101: TS05 | |
| | | | 0 0 0 110: TS06 | |
| | | | 0 0 0 111: TS07 | |
| | | | 0 0 1 000: TS08 | |
| | | | 0 0 1 001: TS09 | |
| | | | 0 0 1 010: TS10 | |
| | | | 0 0 1 011: TS11 | |
| | | | 0 0 1 100: TS12 | |
| | | | 0 0 1 101: TS13 | |
| | | | 0 1 0 001: TS17 | |
| | | | 0 1 0 010: TS18 | |
| | | | 0 1 0 011: TS19 | |
| | | | 0 1 0 100: TS20 | |
| | | | 0 1 0 101: TS21 | |
| | | | 0 1 0 110: TS22 | |
| | | | 0 1 1 011: TS27 | |
| | | | 0 1 1 100: TS28 | |
| | | | 0 1 1 101: TS29 | |
| | | | 0 1 1 110: TS30 | |
| | | | 0 1 1 111: TS31 | |
| | | | 1 0 0 010: TS34 | |
| | | | 1 0 0 011: TS35 | |
| | | | 1 1 1 111: Measurement is being stopped. | |
| b7, b6 | — | Reserved | These bits are read as 0. The write value should be 0. | R/W |

Note 1. Writing to these bits is enabled only in self-capacitance single scan mode (CTSUCR1.CTSUMD[1:0] bits = 00b).

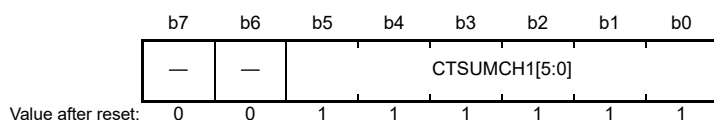
Only set the CTSUMCH0 register when the CTSUCR0.CTSUSTRT bit is 0.

CTSUMCH0[5:0] bits (CTSU Measurement Channel 0)

In self-capacitance single scan mode, the CTSUMCH0[5:0] bits set the channel to be measured. In this mode, only specify enabled channels (000000b to 001101b, 010001b to 010110b, 011011b to 011111b, 100010b, and 100011b). In other modes, these indicate the receive channel that is being measured and writing to these bits has no effect.

41.2.6 CTSU Measurement Channel Register 1 (CTSUSMCH1)

Address(es): CTSUSMCH1 4008 1005h



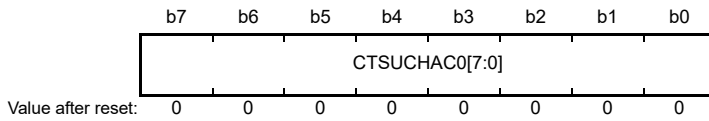
| Bit | Symbol | Bit name | Description | R/W | | | | | | | | | | | | | | | | | | | | | | | | | | | | | | | | | | | | | | | | | | | | | | | | | | | | | | | | | | | | | | | | | | | | | | | | | | | | | | | | | | | | | | | | | | | | | | | | | | | | | | | | | | | | | | | | | | | | | | | | | | | | | | | | | | | | | | | | | | | | | | | | | | | | | | | | | | | | | | | | | | | | | | | | | | | | | | | | | | | | | | | | | | | | | | | | | | | | | | | | | | | |
|----------|----------------|-----------------------------|---------------------------------------------------------------------------------------------------------------------------------------------------------------------------------------------------------------------------------------------------------------------------------------------------------------------------------------------------------------------------------------------------------------------------------------------------------------------------------------------------------------------------------------------------------------------------------------------------------------------------------------------------------------------------------------------------------------------------------------------------------------------------------------------------------------------------------------------------------------------------------------------------------------------------------------------------------------------------------------------------------------------------------------------------------------------------------------------------------------------------------------------------------------------------------------------------------------------------------------------------------------------------------------------------------------------------------------------------------------------------------------------------------------------------------------------------------------------------------------------------------------------------------------------------------------------------------------------------------------------------------------------------------------------------------------------------------------------------------------------------------------------------------------------------------------------------------------------------------------------------------------------------------------------------------------------------------------------------------------------------------------------------------------------------------------------------------------------------------------------------------------------------------------------------------------------------------------------------------------------------------------------------------------------------------------------------------------------------------------------------------------------------------------------------------------------------------------------------------------------------------------------------------------------------------------------------------------------------------------------------------------------------------------------------------------------------------------------------------------------------------------------------------------------|-------------------------|----|----|----|----|----|--|---|---|---|-----|------|--|--|---|---|---|-----|------|--|--|---|---|---|-----|------|--|--|---|---|---|-----|------|--|--|---|---|---|-----|------|--|--|---|---|---|-----|------|--|--|---|---|---|-----|------|--|--|---|---|---|-----|------|--|--|---|---|---|-----|------|--|--|---|---|---|-----|------|--|--|---|---|---|-----|------|--|--|---|---|---|-----|------|--|--|---|---|---|-----|------|--|--|---|---|---|-----|------|--|--|---|---|---|-----|------|--|--|---|---|---|-----|------|--|--|---|---|---|-----|------|--|--|---|---|---|-----|------|--|--|---|---|---|-----|------|--|--|---|---|---|-----|------|--|--|---|---|---|-----|------|--|--|---|---|---|-----|------|--|--|---|---|---|-----|------|--|--|---|---|---|-----|------|--|--|---|---|---|-----|------|--|--|---|---|---|-----|------|--|--|---|---|---|-----|------|--|--|---|---|---|-----|-------------------------|--|--|---|
| b5 to b0 | CTSUSMCH1[5:0] | CTSUS Measurement Channel 1 | <table style="border: none; width: 100%;"> <tr> <td style="width: 10%;">b5</td> <td style="width: 10%;">b4</td> <td style="width: 10%;">b3</td> <td style="width: 10%;">b2</td> <td style="width: 10%;">b1</td> <td style="width: 10%;">b0</td> <td style="width: 10%;"></td> </tr> <tr> <td>0</td><td>0</td><td>0</td><td>000</td><td>TS00</td><td></td><td></td> </tr> <tr> <td>0</td><td>0</td><td>0</td><td>001</td><td>TS01</td><td></td><td></td> </tr> <tr> <td>0</td><td>0</td><td>0</td><td>010</td><td>TS02</td><td></td><td></td> </tr> <tr> <td>0</td><td>0</td><td>0</td><td>011</td><td>TS03</td><td></td><td></td> </tr> <tr> <td>0</td><td>0</td><td>0</td><td>100</td><td>TS04</td><td></td><td></td> </tr> <tr> <td>0</td><td>0</td><td>0</td><td>101</td><td>TS05</td><td></td><td></td> </tr> <tr> <td>0</td><td>0</td><td>0</td><td>110</td><td>TS06</td><td></td><td></td> </tr> <tr> <td>0</td><td>0</td><td>0</td><td>111</td><td>TS07</td><td></td><td></td> </tr> <tr> <td>0</td><td>0</td><td>1</td><td>000</td><td>TS08</td><td></td><td></td> </tr> <tr> <td>0</td><td>0</td><td>1</td><td>001</td><td>TS09</td><td></td><td></td> </tr> <tr> <td>0</td><td>0</td><td>1</td><td>010</td><td>TS10</td><td></td><td></td> </tr> <tr> <td>0</td><td>0</td><td>1</td><td>011</td><td>TS11</td><td></td><td></td> </tr> <tr> <td>0</td><td>0</td><td>1</td><td>100</td><td>TS12</td><td></td><td></td> </tr> <tr> <td>0</td><td>0</td><td>1</td><td>101</td><td>TS13</td><td></td><td></td> </tr> <tr> <td>0</td><td>1</td><td>0</td><td>001</td><td>TS17</td><td></td><td></td> </tr> <tr> <td>0</td><td>1</td><td>0</td><td>010</td><td>TS18</td><td></td><td></td> </tr> <tr> <td>0</td><td>1</td><td>0</td><td>011</td><td>TS19</td><td></td><td></td> </tr> <tr> <td>0</td><td>1</td><td>0</td><td>100</td><td>TS20</td><td></td><td></td> </tr> <tr> <td>0</td><td>1</td><td>0</td><td>101</td><td>TS21</td><td></td><td></td> </tr> <tr> <td>0</td><td>1</td><td>0</td><td>110</td><td>TS22</td><td></td><td></td> </tr> <tr> <td>0</td><td>1</td><td>1</td><td>011</td><td>TS27</td><td></td><td></td> </tr> <tr> <td>0</td><td>1</td><td>1</td><td>100</td><td>TS28</td><td></td><td></td> </tr> <tr> <td>0</td><td>1</td><td>1</td><td>101</td><td>TS29</td><td></td><td></td> </tr> <tr> <td>0</td><td>1</td><td>1</td><td>110</td><td>TS30</td><td></td><td></td> </tr> <tr> <td>0</td><td>1</td><td>1</td><td>111</td><td>TS31</td><td></td><td></td> </tr> <tr> <td>1</td><td>0</td><td>0</td><td>010</td><td>TS34</td><td></td><td></td> </tr> <tr> <td>1</td><td>0</td><td>0</td><td>011</td><td>TS35</td><td></td><td></td> </tr> <tr> <td>1</td><td>1</td><td>1</td><td>111</td><td>Measurement is stopped.</td><td></td><td></td> </tr> </table> | b5 | b4 | b3 | b2 | b1 | b0 | | 0 | 0 | 0 | 000 | TS00 | | | 0 | 0 | 0 | 001 | TS01 | | | 0 | 0 | 0 | 010 | TS02 | | | 0 | 0 | 0 | 011 | TS03 | | | 0 | 0 | 0 | 100 | TS04 | | | 0 | 0 | 0 | 101 | TS05 | | | 0 | 0 | 0 | 110 | TS06 | | | 0 | 0 | 0 | 111 | TS07 | | | 0 | 0 | 1 | 000 | TS08 | | | 0 | 0 | 1 | 001 | TS09 | | | 0 | 0 | 1 | 010 | TS10 | | | 0 | 0 | 1 | 011 | TS11 | | | 0 | 0 | 1 | 100 | TS12 | | | 0 | 0 | 1 | 101 | TS13 | | | 0 | 1 | 0 | 001 | TS17 | | | 0 | 1 | 0 | 010 | TS18 | | | 0 | 1 | 0 | 011 | TS19 | | | 0 | 1 | 0 | 100 | TS20 | | | 0 | 1 | 0 | 101 | TS21 | | | 0 | 1 | 0 | 110 | TS22 | | | 0 | 1 | 1 | 011 | TS27 | | | 0 | 1 | 1 | 100 | TS28 | | | 0 | 1 | 1 | 101 | TS29 | | | 0 | 1 | 1 | 110 | TS30 | | | 0 | 1 | 1 | 111 | TS31 | | | 1 | 0 | 0 | 010 | TS34 | | | 1 | 0 | 0 | 011 | TS35 | | | 1 | 1 | 1 | 111 | Measurement is stopped. | | | R |
| b5 | b4 | b3 | b2 | b1 | b0 | | | | | | | | | | | | | | | | | | | | | | | | | | | | | | | | | | | | | | | | | | | | | | | | | | | | | | | | | | | | | | | | | | | | | | | | | | | | | | | | | | | | | | | | | | | | | | | | | | | | | | | | | | | | | | | | | | | | | | | | | | | | | | | | | | | | | | | | | | | | | | | | | | | | | | | | | | | | | | | | | | | | | | | | | | | | | | | | | | | | | | | | | | | | | | | | | | | | | | | | | | |
| 0 | 0 | 0 | 000 | TS00 | | | | | | | | | | | | | | | | | | | | | | | | | | | | | | | | | | | | | | | | | | | | | | | | | | | | | | | | | | | | | | | | | | | | | | | | | | | | | | | | | | | | | | | | | | | | | | | | | | | | | | | | | | | | | | | | | | | | | | | | | | | | | | | | | | | | | | | | | | | | | | | | | | | | | | | | | | | | | | | | | | | | | | | | | | | | | | | | | | | | | | | | | | | | | | | | | | | | | | | | | | | |
| 0 | 0 | 0 | 001 | TS01 | | | | | | | | | | | | | | | | | | | | | | | | | | | | | | | | | | | | | | | | | | | | | | | | | | | | | | | | | | | | | | | | | | | | | | | | | | | | | | | | | | | | | | | | | | | | | | | | | | | | | | | | | | | | | | | | | | | | | | | | | | | | | | | | | | | | | | | | | | | | | | | | | | | | | | | | | | | | | | | | | | | | | | | | | | | | | | | | | | | | | | | | | | | | | | | | | | | | | | | | | | | |
| 0 | 0 | 0 | 010 | TS02 | | | | | | | | | | | | | | | | | | | | | | | | | | | | | | | | | | | | | | | | | | | | | | | | | | | | | | | | | | | | | | | | | | | | | | | | | | | | | | | | | | | | | | | | | | | | | | | | | | | | | | | | | | | | | | | | | | | | | | | | | | | | | | | | | | | | | | | | | | | | | | | | | | | | | | | | | | | | | | | | | | | | | | | | | | | | | | | | | | | | | | | | | | | | | | | | | | | | | | | | | | | |
| 0 | 0 | 0 | 011 | TS03 | | | | | | | | | | | | | | | | | | | | | | | | | | | | | | | | | | | | | | | | | | | | | | | | | | | | | | | | | | | | | | | | | | | | | | | | | | | | | | | | | | | | | | | | | | | | | | | | | | | | | | | | | | | | | | | | | | | | | | | | | | | | | | | | | | | | | | | | | | | | | | | | | | | | | | | | | | | | | | | | | | | | | | | | | | | | | | | | | | | | | | | | | | | | | | | | | | | | | | | | | | | |
| 0 | 0 | 0 | 100 | TS04 | | | | | | | | | | | | | | | | | | | | | | | | | | | | | | | | | | | | | | | | | | | | | | | | | | | | | | | | | | | | | | | | | | | | | | | | | | | | | | | | | | | | | | | | | | | | | | | | | | | | | | | | | | | | | | | | | | | | | | | | | | | | | | | | | | | | | | | | | | | | | | | | | | | | | | | | | | | | | | | | | | | | | | | | | | | | | | | | | | | | | | | | | | | | | | | | | | | | | | | | | | | |
| 0 | 0 | 0 | 101 | TS05 | | | | | | | | | | | | | | | | | | | | | | | | | | | | | | | | | | | | | | | | | | | | | | | | | | | | | | | | | | | | | | | | | | | | | | | | | | | | | | | | | | | | | | | | | | | | | | | | | | | | | | | | | | | | | | | | | | | | | | | | | | | | | | | | | | | | | | | | | | | | | | | | | | | | | | | | | | | | | | | | | | | | | | | | | | | | | | | | | | | | | | | | | | | | | | | | | | | | | | | | | | | |
| 0 | 0 | 0 | 110 | TS06 | | | | | | | | | | | | | | | | | | | | | | | | | | | | | | | | | | | | | | | | | | | | | | | | | | | | | | | | | | | | | | | | | | | | | | | | | | | | | | | | | | | | | | | | | | | | | | | | | | | | | | | | | | | | | | | | | | | | | | | | | | | | | | | | | | | | | | | | | | | | | | | | | | | | | | | | | | | | | | | | | | | | | | | | | | | | | | | | | | | | | | | | | | | | | | | | | | | | | | | | | | | |
| 0 | 0 | 0 | 111 | TS07 | | | | | | | | | | | | | | | | | | | | | | | | | | | | | | | | | | | | | | | | | | | | | | | | | | | | | | | | | | | | | | | | | | | | | | | | | | | | | | | | | | | | | | | | | | | | | | | | | | | | | | | | | | | | | | | | | | | | | | | | | | | | | | | | | | | | | | | | | | | | | | | | | | | | | | | | | | | | | | | | | | | | | | | | | | | | | | | | | | | | | | | | | | | | | | | | | | | | | | | | | | | |
| 0 | 0 | 1 | 000 | TS08 | | | | | | | | | | | | | | | | | | | | | | | | | | | | | | | | | | | | | | | | | | | | | | | | | | | | | | | | | | | | | | | | | | | | | | | | | | | | | | | | | | | | | | | | | | | | | | | | | | | | | | | | | | | | | | | | | | | | | | | | | | | | | | | | | | | | | | | | | | | | | | | | | | | | | | | | | | | | | | | | | | | | | | | | | | | | | | | | | | | | | | | | | | | | | | | | | | | | | | | | | | | |
| 0 | 0 | 1 | 001 | TS09 | | | | | | | | | | | | | | | | | | | | | | | | | | | | | | | | | | | | | | | | | | | | | | | | | | | | | | | | | | | | | | | | | | | | | | | | | | | | | | | | | | | | | | | | | | | | | | | | | | | | | | | | | | | | | | | | | | | | | | | | | | | | | | | | | | | | | | | | | | | | | | | | | | | | | | | | | | | | | | | | | | | | | | | | | | | | | | | | | | | | | | | | | | | | | | | | | | | | | | | | | | | |
| 0 | 0 | 1 | 010 | TS10 | | | | | | | | | | | | | | | | | | | | | | | | | | | | | | | | | | | | | | | | | | | | | | | | | | | | | | | | | | | | | | | | | | | | | | | | | | | | | | | | | | | | | | | | | | | | | | | | | | | | | | | | | | | | | | | | | | | | | | | | | | | | | | | | | | | | | | | | | | | | | | | | | | | | | | | | | | | | | | | | | | | | | | | | | | | | | | | | | | | | | | | | | | | | | | | | | | | | | | | | | | | |
| 0 | 0 | 1 | 011 | TS11 | | | | | | | | | | | | | | | | | | | | | | | | | | | | | | | | | | | | | | | | | | | | | | | | | | | | | | | | | | | | | | | | | | | | | | | | | | | | | | | | | | | | | | | | | | | | | | | | | | | | | | | | | | | | | | | | | | | | | | | | | | | | | | | | | | | | | | | | | | | | | | | | | | | | | | | | | | | | | | | | | | | | | | | | | | | | | | | | | | | | | | | | | | | | | | | | | | | | | | | | | | | |
| 0 | 0 | 1 | 100 | TS12 | | | | | | | | | | | | | | | | | | | | | | | | | | | | | | | | | | | | | | | | | | | | | | | | | | | | | | | | | | | | | | | | | | | | | | | | | | | | | | | | | | | | | | | | | | | | | | | | | | | | | | | | | | | | | | | | | | | | | | | | | | | | | | | | | | | | | | | | | | | | | | | | | | | | | | | | | | | | | | | | | | | | | | | | | | | | | | | | | | | | | | | | | | | | | | | | | | | | | | | | | | | |
| 0 | 0 | 1 | 101 | TS13 | | | | | | | | | | | | | | | | | | | | | | | | | | | | | | | | | | | | | | | | | | | | | | | | | | | | | | | | | | | | | | | | | | | | | | | | | | | | | | | | | | | | | | | | | | | | | | | | | | | | | | | | | | | | | | | | | | | | | | | | | | | | | | | | | | | | | | | | | | | | | | | | | | | | | | | | | | | | | | | | | | | | | | | | | | | | | | | | | | | | | | | | | | | | | | | | | | | | | | | | | | | |
| 0 | 1 | 0 | 001 | TS17 | | | | | | | | | | | | | | | | | | | | | | | | | | | | | | | | | | | | | | | | | | | | | | | | | | | | | | | | | | | | | | | | | | | | | | | | | | | | | | | | | | | | | | | | | | | | | | | | | | | | | | | | | | | | | | | | | | | | | | | | | | | | | | | | | | | | | | | | | | | | | | | | | | | | | | | | | | | | | | | | | | | | | | | | | | | | | | | | | | | | | | | | | | | | | | | | | | | | | | | | | | | |
| 0 | 1 | 0 | 010 | TS18 | | | | | | | | | | | | | | | | | | | | | | | | | | | | | | | | | | | | | | | | | | | | | | | | | | | | | | | | | | | | | | | | | | | | | | | | | | | | | | | | | | | | | | | | | | | | | | | | | | | | | | | | | | | | | | | | | | | | | | | | | | | | | | | | | | | | | | | | | | | | | | | | | | | | | | | | | | | | | | | | | | | | | | | | | | | | | | | | | | | | | | | | | | | | | | | | | | | | | | | | | | | |
| 0 | 1 | 0 | 011 | TS19 | | | | | | | | | | | | | | | | | | | | | | | | | | | | | | | | | | | | | | | | | | | | | | | | | | | | | | | | | | | | | | | | | | | | | | | | | | | | | | | | | | | | | | | | | | | | | | | | | | | | | | | | | | | | | | | | | | | | | | | | | | | | | | | | | | | | | | | | | | | | | | | | | | | | | | | | | | | | | | | | | | | | | | | | | | | | | | | | | | | | | | | | | | | | | | | | | | | | | | | | | | | |
| 0 | 1 | 0 | 100 | TS20 | | | | | | | | | | | | | | | | | | | | | | | | | | | | | | | | | | | | | | | | | | | | | | | | | | | | | | | | | | | | | | | | | | | | | | | | | | | | | | | | | | | | | | | | | | | | | | | | | | | | | | | | | | | | | | | | | | | | | | | | | | | | | | | | | | | | | | | | | | | | | | | | | | | | | | | | | | | | | | | | | | | | | | | | | | | | | | | | | | | | | | | | | | | | | | | | | | | | | | | | | | | |
| 0 | 1 | 0 | 101 | TS21 | | | | | | | | | | | | | | | | | | | | | | | | | | | | | | | | | | | | | | | | | | | | | | | | | | | | | | | | | | | | | | | | | | | | | | | | | | | | | | | | | | | | | | | | | | | | | | | | | | | | | | | | | | | | | | | | | | | | | | | | | | | | | | | | | | | | | | | | | | | | | | | | | | | | | | | | | | | | | | | | | | | | | | | | | | | | | | | | | | | | | | | | | | | | | | | | | | | | | | | | | | | |
| 0 | 1 | 0 | 110 | TS22 | | | | | | | | | | | | | | | | | | | | | | | | | | | | | | | | | | | | | | | | | | | | | | | | | | | | | | | | | | | | | | | | | | | | | | | | | | | | | | | | | | | | | | | | | | | | | | | | | | | | | | | | | | | | | | | | | | | | | | | | | | | | | | | | | | | | | | | | | | | | | | | | | | | | | | | | | | | | | | | | | | | | | | | | | | | | | | | | | | | | | | | | | | | | | | | | | | | | | | | | | | | |
| 0 | 1 | 1 | 011 | TS27 | | | | | | | | | | | | | | | | | | | | | | | | | | | | | | | | | | | | | | | | | | | | | | | | | | | | | | | | | | | | | | | | | | | | | | | | | | | | | | | | | | | | | | | | | | | | | | | | | | | | | | | | | | | | | | | | | | | | | | | | | | | | | | | | | | | | | | | | | | | | | | | | | | | | | | | | | | | | | | | | | | | | | | | | | | | | | | | | | | | | | | | | | | | | | | | | | | | | | | | | | | | |
| 0 | 1 | 1 | 100 | TS28 | | | | | | | | | | | | | | | | | | | | | | | | | | | | | | | | | | | | | | | | | | | | | | | | | | | | | | | | | | | | | | | | | | | | | | | | | | | | | | | | | | | | | | | | | | | | | | | | | | | | | | | | | | | | | | | | | | | | | | | | | | | | | | | | | | | | | | | | | | | | | | | | | | | | | | | | | | | | | | | | | | | | | | | | | | | | | | | | | | | | | | | | | | | | | | | | | | | | | | | | | | | |
| 0 | 1 | 1 | 101 | TS29 | | | | | | | | | | | | | | | | | | | | | | | | | | | | | | | | | | | | | | | | | | | | | | | | | | | | | | | | | | | | | | | | | | | | | | | | | | | | | | | | | | | | | | | | | | | | | | | | | | | | | | | | | | | | | | | | | | | | | | | | | | | | | | | | | | | | | | | | | | | | | | | | | | | | | | | | | | | | | | | | | | | | | | | | | | | | | | | | | | | | | | | | | | | | | | | | | | | | | | | | | | | |
| 0 | 1 | 1 | 110 | TS30 | | | | | | | | | | | | | | | | | | | | | | | | | | | | | | | | | | | | | | | | | | | | | | | | | | | | | | | | | | | | | | | | | | | | | | | | | | | | | | | | | | | | | | | | | | | | | | | | | | | | | | | | | | | | | | | | | | | | | | | | | | | | | | | | | | | | | | | | | | | | | | | | | | | | | | | | | | | | | | | | | | | | | | | | | | | | | | | | | | | | | | | | | | | | | | | | | | | | | | | | | | | |
| 0 | 1 | 1 | 111 | TS31 | | | | | | | | | | | | | | | | | | | | | | | | | | | | | | | | | | | | | | | | | | | | | | | | | | | | | | | | | | | | | | | | | | | | | | | | | | | | | | | | | | | | | | | | | | | | | | | | | | | | | | | | | | | | | | | | | | | | | | | | | | | | | | | | | | | | | | | | | | | | | | | | | | | | | | | | | | | | | | | | | | | | | | | | | | | | | | | | | | | | | | | | | | | | | | | | | | | | | | | | | | | |
| 1 | 0 | 0 | 010 | TS34 | | | | | | | | | | | | | | | | | | | | | | | | | | | | | | | | | | | | | | | | | | | | | | | | | | | | | | | | | | | | | | | | | | | | | | | | | | | | | | | | | | | | | | | | | | | | | | | | | | | | | | | | | | | | | | | | | | | | | | | | | | | | | | | | | | | | | | | | | | | | | | | | | | | | | | | | | | | | | | | | | | | | | | | | | | | | | | | | | | | | | | | | | | | | | | | | | | | | | | | | | | | |
| 1 | 0 | 0 | 011 | TS35 | | | | | | | | | | | | | | | | | | | | | | | | | | | | | | | | | | | | | | | | | | | | | | | | | | | | | | | | | | | | | | | | | | | | | | | | | | | | | | | | | | | | | | | | | | | | | | | | | | | | | | | | | | | | | | | | | | | | | | | | | | | | | | | | | | | | | | | | | | | | | | | | | | | | | | | | | | | | | | | | | | | | | | | | | | | | | | | | | | | | | | | | | | | | | | | | | | | | | | | | | | | |
| 1 | 1 | 1 | 111 | Measurement is stopped. | | | | | | | | | | | | | | | | | | | | | | | | | | | | | | | | | | | | | | | | | | | | | | | | | | | | | | | | | | | | | | | | | | | | | | | | | | | | | | | | | | | | | | | | | | | | | | | | | | | | | | | | | | | | | | | | | | | | | | | | | | | | | | | | | | | | | | | | | | | | | | | | | | | | | | | | | | | | | | | | | | | | | | | | | | | | | | | | | | | | | | | | | | | | | | | | | | | | | | | | | | | |
| b7, b6 | — | Reserved | These bits are read as 0 | R | | | | | | | | | | | | | | | | | | | | | | | | | | | | | | | | | | | | | | | | | | | | | | | | | | | | | | | | | | | | | | | | | | | | | | | | | | | | | | | | | | | | | | | | | | | | | | | | | | | | | | | | | | | | | | | | | | | | | | | | | | | | | | | | | | | | | | | | | | | | | | | | | | | | | | | | | | | | | | | | | | | | | | | | | | | | | | | | | | | | | | | | | | | | | | | | | | | | | | | | | | | |

CTSUSMCH1[5:0] bits (CTSUS Measurement Channel 1)

In full scan mode, the CTSUSMCH1[5:0] bits indicate the transmit channel that is being measured. The value of these bits is 111111b when measurement is stopped, or when in self-capacitance single-scan or multiscan mode.

41.2.7 CTSU Channel Enable Control Register 0 (CTSUCHAC0)

Address(es): CTSU.CTSUCHAC0 4008 1006h



| Bit | Symbol | Bit name | Description | R/W |
|----------|----------------|-------------------------------|-----------------------------------------------------------------------------------------------------------------------------------------------|-----|
| b7 to b0 | CTSUCHAC0[7:0] | CTSU Channel Enable Control 0 | These bits select whether the associated TS pin is measured: 0: Do not measure 1: Measure. These bits specify the TS00 to TS07 pins. | R/W |

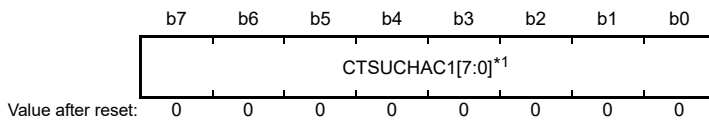
Only set the CTSUCHAC0 register when the CTSUCR0.CTSUSTRT bit is 0.

CTSUCHAC0[7:0] bits (CTSU Channel Enable Control 0)

The CTSUCHAC0[7:0] bits select the receive and transmit pins whose electrostatic capacitance is to be measured. CTSUCHAC0[0] is associated with TS00 and CTSUCHAC0[7] is associated with TS07.

41.2.8 CTSU Channel Enable Control Register 1 (CTSUCHAC1)

Address(es): CTSU.CTSUCHAC1 4008 1007h



| Bit | Symbol | Bit name | Description | R/W |
|----------|----------------|-------------------------------|-----------------------------------------------------------------------------------------------------------------------------------------------|-----|
| b7 to b0 | CTSUCHAC1[7:0] | CTSU Channel Enable Control 1 | These bits select whether the associated TS pin is measured. 0: Do not measure 1: Measure. These bits specify the TS08 to TS13 pins. | R/W |

Note 1. The MCU does not support TS14 and TS15 pins. Therefore, CTSUCHAC1[7:6] are read as 0. The write value should be 0.

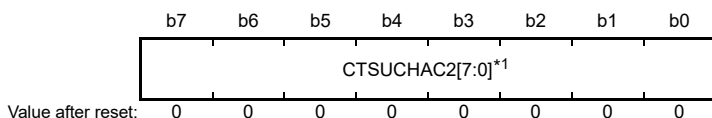
Only set the CTSUCHAC1 register when the CTSUCR0.CTSUSTRT bit is 0.

CTSUCHAC1[7:0] bits (CTSU Channel Enable Control 1)

The CTSUCHAC1[7:0] bits select the receive and transmit pins whose electrostatic capacitance is to be measured. CTSUCHAC1[0] is associated with TS08 and CTSUCHAC1[5] with TS13.

41.2.9 CTSU Channel Enable Control Register 2 (CTSUCHAC2)

Address(es): CTSU.CTSUCHAC2 4008 1008h



| Bit | Symbol | Bit name | Description | R/W |
|----------|----------------|--------------------------------|-----------------------------------------------------------------------------------------------------------------------------------------------|-----|
| b7 to b0 | CTSUCHAC2[7:0] | CTSUS Channel Enable Control 2 | These bits select whether the associated TS pin is measured. 0: Do not measure 1: Measure. These bits specify the TS17 to TS22 pins. | R/W |

Note 1. The MCU does not support TS16 and TS23 pins. Therefore, CTSUCHAC2[7] and CTSUCHAC2[0] are read as 0. The write value should be 0.

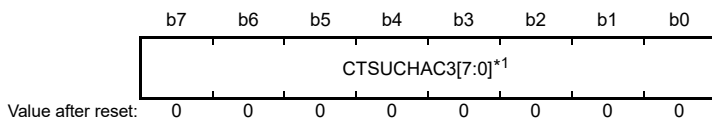
Only set the CTSUCHAC2 register when the CTSUCR0.CTSUSTR bit is 0.

CTSUCHAC2[7:0] bits (CTSUS Channel Enable Control 2)

The CTSUCHAC2[7:0] bits select the receive and transmit pins whose electrostatic capacitance is to be measured. CTSUCHAC2[1] is associated with TS17 and CTSUCHAC2[6] is associated with TS22.

41.2.10 CTSU Channel Enable Control Register 3 (CTSUCHAC3)

Address(es): CTSU.CTSUCHAC3 4008 1009h



| Bit | Symbol | Bit name | Description | R/W |
|----------|----------------|--------------------------------|------------------------------------------------------------------------------------------------------------------------------------------------|-----|
| b7 to b0 | CTSUCHAC3[7:0] | CTSUS Channel Enable Control 3 | These bits select whether the associated TS pins is measured: 0: Do not measure 1: Measure. These bits specify the TS27 to TS31 pins. | R/W |

Note 1. The MCU does not support TS24, TS25, and TS26 pins. Therefore, CTSUCHAC3[2:0] are read as 0. The write value should be 0.

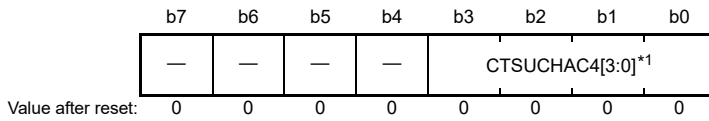
Only set the CTSUCHAC3 register when the CTSUCR0.CTSUSTR bit is 0.

CTSUCHAC3[7:0] bits (CTSUS Channel Enable Control 3)

The CTSUCHAC3[7:0] bits select the receive and transmit pins whose electrostatic capacitance is to be measured. CTSUCHAC3[3] is associated with TS27 and CTSUCHAC3[7] with TS31.

41.2.11 CTSU Channel Enable Control Register 4 (CTSUCHAC4)

Address(es): CTSU.CTSUCHAC4 4008 100Ah



| Bit | Symbol | Bit name | Description | R/W |
|----------|----------------|--------------------------------|-------------------------------------------------------------------------------------------------------------------------------------------------|-----|
| b3 to b0 | CTSUCHAC4[3:0] | CTSUS Channel Enable Control 4 | These bits select whether the associated TS pins is measured: 0: Do not measure 1: Measure. These bits specify the TS34 and TS35 pins. | R/W |
| b7 to b4 | — | Reserved | These bits are read as 0. The write value should be 0. | R/W |

Note 1. The MCU does not support TS32 and TS33 pins. Therefore, CTSUCHAC4[1:0] are read as 0. The write value should be 0.

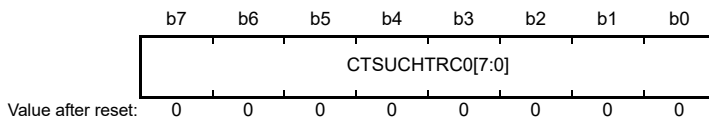
Only set the CTSUCHAC4 register when the CTSUCR0.CTSUSTRT bit is 0.

CTSUCHAC4[3:0] bits (CTSUS Channel Enable Control 4)

The CTSUCHAC4[3:0] bits select the receive and transmit pins whose electrostatic capacitance is to be measured. CTSUCHAC4[2] is associated with TS34 and CTSUCHAC4[3] with TS35.

41.2.12 CTSU Channel Transmit/Receive Control Register 0 (CTSUCHTRC0)

Address(es): CTSU.CTSUCHTRC0 4008 100Bh



| Bit | Symbol | Bit name | Description | R/W |
|----------|-----------------|------------------------------------------|-------------------------------------------------------------------------------|-----|
| b7 to b0 | CTSUCHTRC0[7:0] | CTSUS Channel Transmit/Receive Control 0 | 0: Reception 1: Transmission. These bits specify the TS00 to TS07 pins. | R/W |

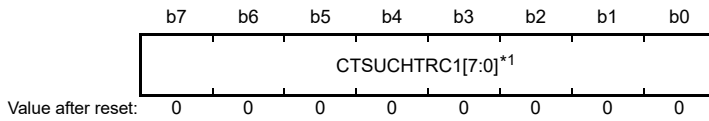
Only set the CTSUCHTRC0 register when the CTSUCR0.CTSUSTRT bit is 0.

CTSUCHTRC0[7:0] bits (CTSUS Channel Transmit/Receive Control 0)

In full scan mode, the CTSUCHTRC0[7:0] bits allocate reception or transmission to the associated TS pins. The setting of these bits is ignored in self-capacitance single-scan and multiscan modes. CTSUCHTRC0[0] is associated with TS00 and CTSUCHTRC0[7] with TS07.

41.2.13 CTSU Channel Transmit/Receive Control Register 1 (CTSUCHTRC1)

Address(es): CTSU.CTSUCHTRC1 4008 100Ch



| Bit | Symbol | Bit name | Description | R/W |
|----------|-----------------|-----------------------------------------|-------------------------------------------------------------------------------|-----|
| b7 to b0 | CTSUCHTRC1[7:0] | CTSU Channel Transmit/Receive Control 1 | 0: Reception 1: Transmission. These bits specify the TS08 to TS13 pins. | R/W |

Note 1. The MCU does not support TS14 and TS15 pins. Therefore, CTSUCHTRC1[7:6] are read as 0. The write value should be 0.

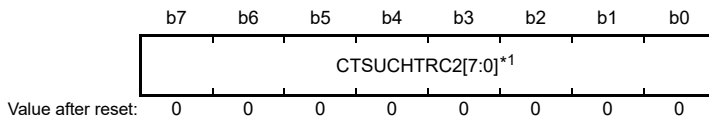
Only set the CTSUCHTRC1 when the CTSUCR0.CTSUSTRT bit is 0.

CTSUCHTRC1[7:0] bits (CTSU Channel Transmit/Receive Control 1)

In full scan mode, the CTSUCHTRC1[7:0] bits allocate reception or transmission to the associated TS pins. The setting of these bits is ignored in self-capacitance single-scan and multiscan modes. CTSUCHTRC1[0] is associated with TS08 and CTSUCHTRC1[5] with TS13.

41.2.14 CTSU Channel Transmit/Receive Control Register 2 (CTSUCHTRC2)

Address(es): CTSU.CTSUCHTRC2 4008 100Dh



| Bit | Symbol | Bit name | Description | R/W |
|----------|-----------------|-----------------------------------------|-------------------------------------------------------------------------------|-----|
| b7 to b0 | CTSUCHTRC2[7:0] | CTSU Channel Transmit/Receive Control 2 | 0: Reception 1: Transmission. These bits specify the TS17 to TS22 pins. | R/W |

Note 1. The MCU does not support TS16 and TS23 pins. Therefore, CTSUCHTRC2[0] and CTSUCHTRC2[7] are read as 0. The write value should be 0.

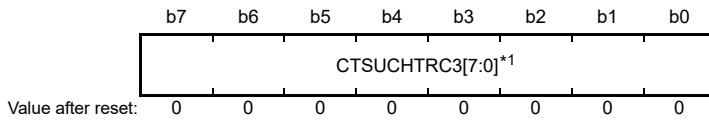
Only set the CTSUCHTRC2 register when the CTSUCR0.CTSUSTRT bit is 0.

CTSUCHTRC2[7:0] bits (CTSU Channel Transmit/Receive Control 2)

In full scan mode, the CTSUCHTRC2[7:0] bits allocate reception or transmission to the associated TS pins. The setting of these bits is ignored in self-capacitance single-scan and multiscan modes. CTSUCHTRC2[1] is associated with TS17 and CTSUCHTRC2[6] with TS22.

41.2.15 CTSU Channel Transmit/Receive Control Register 3 (CTSUCHTRC3)

Address(es): CTSU.CTSUCHTRC3 4008 100Eh



| Bit | Symbol | Bit name | Description | R/W |
|----------|-----------------|------------------------------------------|-------------------------------------------------------------------------------|-----|
| b7 to b0 | CTSUCHTRC3[7:0] | CTSUS Channel Transmit/Receive Control 3 | 0: Reception 1: Transmission. These bits specify the TS27 to TS31 pins. | R/W |

Note 1. The MCU does not support TS24, TS25, and TS26 pins. Therefore, CTSUCHTRC3[2:0] are read as 0. The write value should be 0.

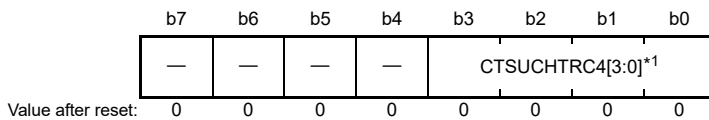
Only set the CTSUCHTRC3 register when the CTSUCR0.CTSUSTRT bit is 0.

CTSUCHTRC3[7:0] bits (CTSUS Channel Transmit/Receive Control 3)

In full scan mode, the CTSUCHTRC3[7:0] bits allocate reception or transmission to the associated TS pins. The setting of these bits is ignored in self-capacitance single-scan and multiscan modes. CTSUCHTRC3[3] is associated with TS27 and CTSUCHTRC3[7] with TS31.

41.2.16 CTSU Channel Transmit/Receive Control Register 4 (CTSUCHTRC4)

Address(es): CTSU.CTSUCHTRC4 4008 100Fh



| Bit | Symbol | Bit name | Description | R/W |
|----------|-----------------|------------------------------------------|-------------------------------------------------------------------------------|-----|
| b3 to b0 | CTSUCHTRC4[3:0] | CTSUS Channel Transmit/Receive Control 4 | 0: Reception 1: Transmission. These bits specify the TS34 to TS35 pins. | R/W |
| b7 to b4 | — | Reserved | These bits are read as 0. The write value should be 0. | R/W |

Note 1. The MCU does not support TS32 and TS33 pins. Therefore, CTSUCHTRC4[1:0] are read as 0. The write value should be 0.

Only set the CTSUCHTRC4 register when the CTSUCR0.CTSUSTRT bit is 0.

CTSUCHTRC4[3:0] bits (CTSUS Channel Transmit/Receive Control 4)

In full scan mode, the CTSUCHTRC4[3:0] bits allocate reception or transmission to the associated TS pins. The setting of these bits is ignored in self-capacitance single-scan and multiscan modes. CTSUCHTRC4[2] is associated with TS34 and CTSUCHTRC4[3] with TS35.

41.2.17 CTSU High-Pass Noise Reduction Control Register (CTSUDCLKC)

Address(es): CTSU.CTSUDCLKC 4008 1010h

| | | | | | | | |
|----|----|----------------|----|----|----|----------------|----|
| b7 | b6 | b5 | b4 | b3 | b2 | b1 | b0 |
| — | — | CTSUSSCNT[1:0] | — | — | — | CTSUSSMOD[1:0] | — |
| 0 | 0 | 0 | 0 | 0 | 0 | 0 | 0 |

Value after reset:

| Bit | Symbol | Bit name | Description | R/W |
|--------|----------------|------------------------------------|--------------------------------------------------------|-----|
| b1, b0 | CTSUSSMOD[1:0] | CTSUS Diffusion Clock Mode Select | Set these bits to 00b | R/W |
| b3, b2 | — | Reserved | These bits are read as 0. The write value should be 0. | R/W |
| b5, b4 | CTSUSSCNT[1:0] | CTSUS Diffusion Clock Mode Control | Set these bits to 11b | R/W |
| b7, b6 | — | Reserved | These bits are read as 0. The write value should be 0. | R/W |

Only set the CTSUDCLKC register when the CTSUCR0.CTSUSTRT bit is 0.

CTSUSSMOD[1:0] bits (CTSUS Diffusion Clock Mode Select)

The CTSUSSMOD[1:0] bits set the mode of the spectrum diffusion clock for high-pass noise reduction. When using the high-pass function, always fix these bits to 00b. If these bits are not set, the CTSU is unable to effectively reduce high-pass noise.

CTSUSSCNT[1:0] bits (CTSUS Diffusion Clock Mode Control)

The CTSUSSCNT[1:0] bits adjust the amount of spectrum diffusion applied to reduce high-pass noise. When using the high-pass noise reduction function, always fix these bits to 11b. If these bits are not set, touch measurement might be performed incorrectly.

41.2.18 CTSU Status Register (CTSUST)

Address(es): CTSU.CTSUST 4008 1011h

| | | | | | | | |
|-------|-----------|-----------|-----------|----|--------------|----|----|
| b7 | b6 | b5 | b4 | b3 | b2 | b1 | b0 |
| CTSUS | CTSUR OVF | CTSUS OVF | CTSUD TSR | — | CTSUSTC[2:0] | | |
| 0 | 0 | 0 | 0 | 0 | 0 | 0 | 0 |

Value after reset:

| Bit | Symbol | Bit name | Description | R/W | | | | | | | | | | | | | | | | | | | | | |
|----------|--------------|------------------------------------|----------------------------------------------------------------------------------------------------------------------------------------------------------------------------------------------------------------------------------------------------------------------------------------------------------------------------------------------------------------------------------------------------------------------------------------------|-----|----|--|---|---|-------------|---|---|-------------|---|---|-------------|---|---|-------------|---|---|-------------|---|---|--------------|---|
| b2 to b0 | CTSUSTC[2:0] | CTSUS Measurement Status Counter | These counters indicate the current measurement status. <table border="0"> <tr><td>b2</td><td>b0</td><td></td></tr> <tr><td>0</td><td>0</td><td>0: Status 0</td></tr> <tr><td>0</td><td>0</td><td>1: Status 1</td></tr> <tr><td>0</td><td>1</td><td>0: Status 2</td></tr> <tr><td>0</td><td>1</td><td>1: Status 3</td></tr> <tr><td>1</td><td>0</td><td>0: Status 4</td></tr> <tr><td>1</td><td>0</td><td>1: Status 5.</td></tr> </table> | b2 | b0 | | 0 | 0 | 0: Status 0 | 0 | 0 | 1: Status 1 | 0 | 1 | 0: Status 2 | 0 | 1 | 1: Status 3 | 1 | 0 | 0: Status 4 | 1 | 0 | 1: Status 5. | R |
| b2 | b0 | | | | | | | | | | | | | | | | | | | | | | | | |
| 0 | 0 | 0: Status 0 | | | | | | | | | | | | | | | | | | | | | | | |
| 0 | 0 | 1: Status 1 | | | | | | | | | | | | | | | | | | | | | | | |
| 0 | 1 | 0: Status 2 | | | | | | | | | | | | | | | | | | | | | | | |
| 0 | 1 | 1: Status 3 | | | | | | | | | | | | | | | | | | | | | | | |
| 1 | 0 | 0: Status 4 | | | | | | | | | | | | | | | | | | | | | | | |
| 1 | 0 | 1: Status 5. | | | | | | | | | | | | | | | | | | | | | | | |
| b3 | — | Reserved | This bit is read as 0. The write value should be 0. | R/W | | | | | | | | | | | | | | | | | | | | | |
| b4 | CTSUDTSR | CTSUS Data Transfer Status Flag | This flag indicates whether the measurement result stored in the sensor counter and the reference counter was read: 0: Read 1: Not read. | R | | | | | | | | | | | | | | | | | | | | | |
| b5 | CTSUSOVF | CTSUS Sensor Counter Overflow Flag | This flag indicates an overflow on the sensor counter, 0: No overflow occurred 1: Overflow occurred. | R/W | | | | | | | | | | | | | | | | | | | | | |

| Bit | Symbol | Bit name | Description | R/W |
|-----|----------|--------------------------------------|------------------------------------------------------------------------------------------------------------------------------------|-----|
| b6 | CTSUROVF | CTSU Reference Counter Overflow Flag | This flag indicates an overflow on the reference counter. 0: No overflow occurred 1: Overflow occurred. | R/W |
| b7 | CTSUPS | CTSU Mutual Capacitance Status Flag | This flag indicates the measurement status in mutual-capacitance full scan mode. 0: First measurement 1: Second measurement. | R |

When using the CTSUCR0.CTSUINIT bit to clear an overflow flag, make sure that the CTSUCR0.CTSUSTRT bit is 0.

CTSUSTC[2:0] flags (CTSU Measurement Status Counter)

The CTSUSTC[2:0] flags are a counter indicating the current measurement status. For details on each status, see [section 41.3.2.2, Status counter](#).

CTSUDTSR flag (CTSU Data Transfer Status Flag)

The CTSUDTSR flag indicates whether the measurement result stored in the sensor counter and the reference counter was read. This flag is set to 1 when measurement completes and 0 when the reference counter is read by software or the DTC. This flag can also be cleared with the CTSUCR0.CTSUINIT bit.

CTSUSOVF flag (CTSU Sensor Counter Overflow Flag)

The CTSUSOVF flag indicates when the sensor counter, CTSUSC, overflows. On overflow, the counter value reads as FFFFh. Measurement processing continues for the specified period.

No interrupt is generated when an overflow occurs. To determine the channel on which the overflow occurred, read the measurement result of each channel after measurement completes, signaled by a measurement end interrupt.

This flag is cleared when 0 is written after 1 is read by software. This flag can also be cleared using the CTSUCR0.CTSUINIT bit.

CTSUROVF flag (CTSU Reference Counter Overflow Flag)

The CTSUROVF flag indicates when the reference counter, CTSURC, overflows. On overflow, the counter value reads as FFFFh. Measurement processing continues for the specified period.

No interrupt is generated even when an overflow occurs. To determine the channel on which the overflow occurred, read the measurement result of each channel after measurement completes, signaled by a measurement end interrupt.

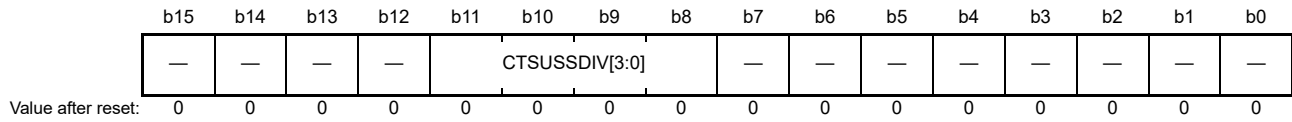
This flag is cleared when 0 is written after 1 is read by software. This flag can also be cleared with the CTSUCR0.CTSUINIT bit.

CTSUPS flag (CTSU Mutual Capacitance Status Flag)

In mutual-capacitance full scan mode, when CTSUCR1.CTSUMD[1:0] bits = 11b, the CTSUPS flag indicates whether the measurement is the first or second of two measurements for each channel. When measurement is stopped, or when in other measurement modes, this flag is always 0.

41.2.19 CTSU High-Pass Noise Reduction Spectrum Diffusion Control Register (CTSUSSC)

Address(es): CTSU.CTSUSSC 4008 1012h



| Bit | Symbol | Bit name | Description | R/W |
|------------|----------------|----------------------------------------------------|-------------------------------------------------------------------------------------------------------------------------|-----|
| b7 to b0 | — | Reserved | These bits are read as 0. The write value should be 0. | R/W |
| b11 to b8 | CTSUSSDIV[3:0] | CTSU Spectrum Diffusion Frequency Division Setting | These bits specify the spectrum diffusion frequency division setting based on the base clock frequency division setting | R/W |
| b15 to b12 | — | Reserved | These bits are read as 0. The write value should be 0. | R/W |

CTSUSSDIV[3:0] bits (CTSU Spectrum Diffusion Frequency Division Setting)

The CTSUSSDIV[3:0] bits specify the spectrum diffusion frequency derived from the base clock frequency division setting. To calculate the correct setting for CTSUSSDIV[3:0], see the relationship between base clock frequencies and the settings in [Table 41.5](#).

Table 41.5 Relationship between base clock frequencies and CTSUSSDIV[3:0] bit settings

| Base clock frequency fb (MHz) | CTSUSSDIV[3:0] bit setting |
|-------------------------------|----------------------------|
| $4.00 \leq fb$ | 0000b |
| $2.00 \leq fb < 4.00$ | 0001b |
| $1.33 \leq fb < 2.00$ | 0010b |
| $1.00 \leq fb < 1.33$ | 0011b |
| $0.80 \leq fb < 1.00$ | 0100b |
| $0.67 \leq fb < 0.80$ | 0101b |
| $0.57 \leq fb < 0.67$ | 0110b |
| $0.50 \leq fb < 0.57$ | 0111b |
| $0.44 \leq fb < 0.50$ | 1000b |
| $0.40 \leq fb < 0.44$ | 1001b |
| $0.36 \leq fb < 0.40$ | 1010b |
| $0.33 \leq fb < 0.36$ | 1011b |
| $0.31 \leq fb < 0.33$ | 1100b |
| $0.29 \leq fb < 0.31$ | 1101b |
| $0.27 \leq fb < 0.29$ | 1110b |
| $fb < 0.27$ | 1111b |

41.2.20 CTSU Sensor Offset Register 0 (CTSUSO0)

Address(es): CTSU.CTSUSO0 4008 1014h



| Bit | Symbol | Bit name | Description | R/W |
|------------|---------------|--------------------------------|---------------------------------------------------------------------------------------------------------------------------------------------------------------------------------------------------------------------------------------------------------------------------------------------------------------------------------|-----|
| b9 to b0 | CTSUSO[9:0] | CTSU Sensor Offset Adjustment | These bits adjust the electronic capacitance when the electrode is not being touched. b9 b0 0 0 0 0 0 0 0 0 0: Current offset is 0 0 0 0 0 0 0 0 0 1: Current offset is 1 0 0 0 0 0 0 0 1 0: Current offset is 2 : 1 1 1 1 1 1 1 1 0: Current offset is 1022 1 1 1 1 1 1 1 1 1: Current offset is maximum. | R/W |
| b15 to b10 | CTSUSNUM[5:0] | CTSU Measurement Count Setting | These bits set the number of measurements | R/W |

CTSUSO[9:0] bits (CTSU Sensor Offset Adjustment)

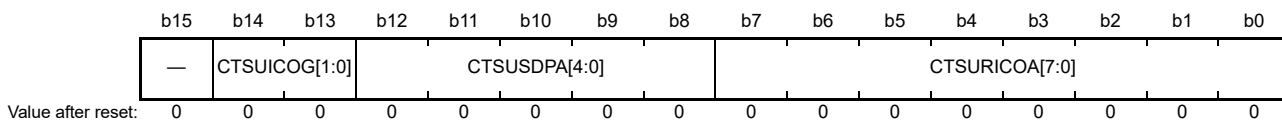
The CTSUSO[9:0] bits offset the sensor ICO input current generated from electrostatic capacitance during touch measurement, when the electrode is not being touched. This prevents the CTSU sensor counter from overflowing. Set the TS pin that is to be measured next after a CTSU_CTSUWR interrupt is generated.

CTSUSNUM[5:0] bits (CTSU Measurement Count Setting)

The CTSUSNUM[5:0] bits specify how many times the measurement pulse count specified in the CTSUSDPRS.CTSUPRRATIO[3:0] and CTSUSDPRS.CTSUPRMODE[1:0] bits is repeated during the measurement time. The measurement pulse count is repeated (CTSUSNUM[5:0] bits + 1) times. Set the TS pin that is to be measured next after a CTSU_CTSUWR interrupt is generated.

41.2.21 CTSU Sensor Offset Register 1 (CTSUSO1)

Address(es): CTSU.CTSUSO1 4008 1016h



| Bit | Symbol | Bit name | Description | R/W |
|----------|----------------|---------------------------------------|-------------------------------------------------------------------------------------------------------------------------------------------------------------------------------------------------------------------------------------------------------------------------------------------|-----|
| b7 to b0 | CTSURICOA[7:0] | CTSU Reference ICO Current Adjustment | These bits adjust the input current of the reference ICO. b7 b0 0 0 0 0 0 0 0 0: Current offset is 0 0 0 0 0 0 0 0 1: Current offset is 1 0 0 0 0 0 0 1 0: Current offset is 2. : 1 1 1 1 1 1 1 0: Current offset is 254 1 1 1 1 1 1 1 1: Current offset is maximum. | R/W |

| Bit | Symbol | Bit name | Description | R/W |
|-----------|-------------------------------|--------------------------|----------------------------------------------------------------------------------------------------------------------------------------------------------------------------------------------------------------------------------------------------------------------------------------------------------------------------------------------------------------------------------------------------------------------------------------------------------------------------------------------------------------------------------------------------------------------------------------------------------------------------------------------------------------------------------------------------------------------------------------------------------------------------------------------------------------------------------------------------------------------------------------------------------------------------------------------------------------------------------------------------------------------------------------------------------------------------------------------------------------------------------------------------------------------------------------------------------------------------------------------------------------------------------------------------------------------------------------------------------------------------------------------------------------------------------------------|-----|
| b12 to b8 | CTSUSDPA[4:0] | CTSU Base Clock Setting | These bits generate the base clock. b12 b8 0 0 0 0: Operating clock divided by 2*1 0 0 0 1: Operating clock divided by 4 0 0 1 0: Operating clock divided by 6 0 0 1 1: Operating clock divided by 8 0 1 0 0: Operating clock divided by 10 0 1 0 1: Operating clock divided by 12 0 1 1 0: Operating clock divided by 14 0 1 1 1: Operating clock divided by 16 1 0 0 0: Operating clock divided by 18 1 0 0 1: Operating clock divided by 20 1 0 1 0: Operating clock divided by 22 1 0 1 1: Operating clock divided by 24 1 1 0 0: Operating clock divided by 26 1 1 0 1: Operating clock divided by 28 1 1 1 0: Operating clock divided by 30 1 1 1 1: Operating clock divided by 32 1 0 0 0: Operating clock divided by 34 1 0 0 1: Operating clock divided by 36 1 0 1 0: Operating clock divided by 38 1 0 1 1: Operating clock divided by 40 1 1 0 0: Operating clock divided by 42 1 1 0 1: Operating clock divided by 44 1 1 1 0: Operating clock divided by 46 1 1 1 1: Operating clock divided by 48 1 1 0 0: Operating clock divided by 50 1 1 0 1: Operating clock divided by 52 1 1 1 0: Operating clock divided by 54 1 1 1 1: Operating clock divided by 56 1 1 0 0: Operating clock divided by 58 1 1 1 0: Operating clock divided by 60 1 1 1 1: Operating clock divided by 62 1 1 1 1: Operating clock divided by 64. | R/W |
| b14, b13 | CTSUICOG[1:0] | CTSU ICO Gain Adjustment | These bits adjust the output frequency gain of the sensor ICO and the reference ICO: b14 b13 0 0: 100% gain 0 1: 66% gain 1 0: 50% gain 1 1: 40% gain. | R/W |
| b15 | — | Reserved | This bit is read as 0. The write value should be 0. | R/W |

Note 1. Do not set the CTSUSDPA[4:0] bits to 00000b while the high-pass noise reduction function is turned off (CTSUSDPRS.CTSUSOFF bit = 1) in mutual-capacitance full scan mode (CTSUCR1.CTSMJD[1:0] bits = 11b).

After a CTSU_CTSUWR interrupt is generated, write first to the CTSUSSC register, then to the CTSUSO0 register, and then to the CTSUSO1 register. The write to the CTSUSO1 register causes a transition to Status 3 (see [Table 41.6](#) and [Table 41.7](#)). Set all the bits in a single operation when writing to the CTSUSO1 register.

CTSURICOA[7:0] bits (CTSU Reference ICO Current Adjustment)

The CTSURICOA[7:0] bits adjust the oscillation frequency using the input current of the reference ICO.

CTSUSDPA[4:0] bits (CTSU Base Clock Setting)

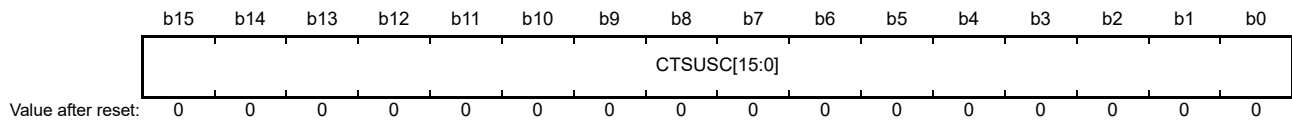
The CTSUSDPA[4:0] bits select a base clock used as the source for the sensor drive pulse by dividing the operating clock. For details on the setting procedure, see [section 41.3.2.1, Initial setting flow](#).

CTSUICOG[1:0] bits (CTSU ICO Gain Adjustment)

The CTSUICOG[1:0] bits adjust the output frequency gain of the sensor ICO and the reference ICO. In general, set the value of these bits to 00b for the maximum gain. If changes in the capacitance between when the electrode is touched and when it is not touched greatly exceed the dynamic range of the sensor ICO, adjust the gain appropriately with this setting.

41.2.22 CTSU Sensor Counter (CTSUSC)

Address(es): CTSU.CTSUSC 4008 1018h



| Bit | Symbol | Bit name | Description | R/W |
|-----------|--------------|---------------------|--------------------------------------------------------------------------------------------------------------|-----|
| b15 to b0 | CTSUSC[15:0] | CTSU Sensor Counter | These bits indicate the measurement result of the sensor ICO. These bits read FFFFh when an overflow occurs. | R |

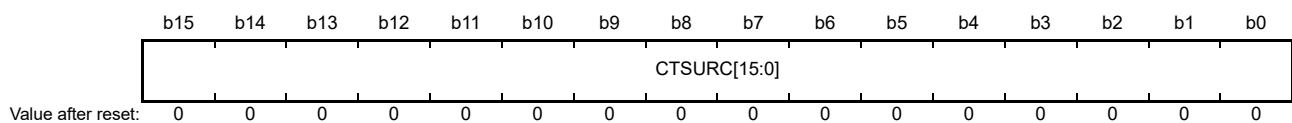
After a CTSU_CTSURD interrupt is generated, read first from the CTSUSC counter, then from the CTSURC counter.

CTSUSC[15:0] bits (CTSU Sensor Counter)

The CTSUSC[15:0] bits are configured as an increment counter for the sensor ICO clock. Read these bits after a CTSU_CTSURD interrupt is generated. After the CTSURC counter is read, these bits are cleared immediately before the CTSU measurement status counter value changes to Status 4 (the CTSUST.CTSUSTC[2:0] flags changes to 100b) in the next measurement. These bits can also be using the CTSUCR0.CTSUINIT bit.

41.2.23 CTSU Reference Counter (CTSURC)

Address(es): CTSU.CTSURC 4008 101Ah



| Bit | Symbol | Bit name | Description | R/W |
|-----------|--------------|------------------------|-----------------------------------------------------------------------------------------------------------------|-----|
| b15 to b0 | CTSURC[15:0] | CTSU Reference Counter | These bits indicate the measurement result of the reference ICO. These bits read FFFFh when an overflow occurs. | R |

After a CTSU_CTSURD interrupt is generated, read first from the CTSUSC counter and then from the CTSURC counter. Status 3 continues until the CTSURC counter is read, even if the stabilization time specified for Status 3 elapses.

CTSURC[15:0] bits (CTSU Reference Counter)

The CTSURC[15:0] bits are configured as an increment counter for the reference ICO clock.

The reference ICO optimizes touch measurement performed by the sensor ICO. There is some deviation depending on the internal sensor ICO and the reference ICO in the CTSU, but both ICOS have almost the same characteristics, including the dynamic range and the current-to-frequency characteristics. The range of current amount that can be set in the reference ICO current adjustment bits is about the same as the dynamic range of both ICOS, and the current amount input to the sensor ICO must be within this dynamic range. To ensure this, use the reference ICO to check the differences between the ICOS and measure the current-to-oscillation frequency characteristics. Because the reference ICO oscillation frequency can be obtained from the reference ICO counter, the ICO oscillation frequency (counter value/measurement time) for the input current amount can be measured by setting the value in the reference ICO current adjustment bits and measuring the reference ICO counter. The reference ICO counter value measured using the maximum value in the reference ICO current adjustment bits is the maximum value of the ICO dynamic range. The current to the sensor ICO must be offset in the offset adjustment bits so that the sensor ICO counter value does not exceed this value.

Read the CTSURC[15:0] bits after a CTSU_CTSURD interrupt is generated. After these bits are read, they are immediately cleared before the CTSU measurement status counter value changes to Status 4 (the

CTSUST.CTSUSTC[2:0] flags changes to 100b) in the next measurement. These bits can also be cleared using the CTSUCR0.CTSUINIT bit.

41.2.24 CTSU Error Status Register (CTSUERRS)

Address(es): CTSU.CTSUERRS 4008 101Ch

| | | | | | | | | | | | | | | | | |
|--------------------|-----|-----|-----|-----|-----|-----|----|----|----|----|----|----|----|----|----|----|
| | b15 | b14 | b13 | b12 | b11 | b10 | b9 | b8 | b7 | b6 | b5 | b4 | b3 | b2 | b1 | b0 |
| CTSUI COMP | — | — | — | — | — | — | — | — | — | — | — | — | — | — | — | — |
| Value after reset: | 0 | 0 | 0 | 0 | 0 | 0 | 0 | 0 | 0 | 0 | 0 | 0 | 0 | 0 | 0 | 0 |

| Bit | Symbol | Bit name | Description | R/W |
|-----------|-----------|-----------------------------|-------------------------------------------------------------------------------------------------------------------|-----|
| b14 to b0 | — | Reserved | These bits are read as 0 | R |
| b15 | CTSUICOMP | TSCAP Voltage Error Monitor | This bit monitors the error status of the TSCAP voltage. 0: Normal TSCAP voltage 1: Abnormal TSCAP voltage. | R |

CTSUICOMP bit (TSCAP Voltage Error Monitor)

If the offset current amount set in the CTSUSO1 register exceeds the sensor ICO input current during touch measurement, the TSCAP voltage becomes abnormal and touch measurement cannot be performed correctly. This bit monitors the TSCAP voltage and is set to 1 if the voltage becomes abnormal.

If the TSCAP voltage becomes abnormal, the sensor ICO counter value is undefined, but touch measurement completes normally, therefore it is difficult to detect an abnormality by reading the sensor ICO counter value. If the CTSU reference ICO current adjustment bits (CTSURICOA[7:0]) in the CTSUSO1 register are set to a value other than 0, check this bit when touch measurement completes.

This bit is cleared by writing 0 to the CTSUCR1.CTSUPON bit and turning off the power supply.

41.3 Operation

41.3.1 Principles of Measurement Operation

Figure 41.4 shows the measurement circuit.

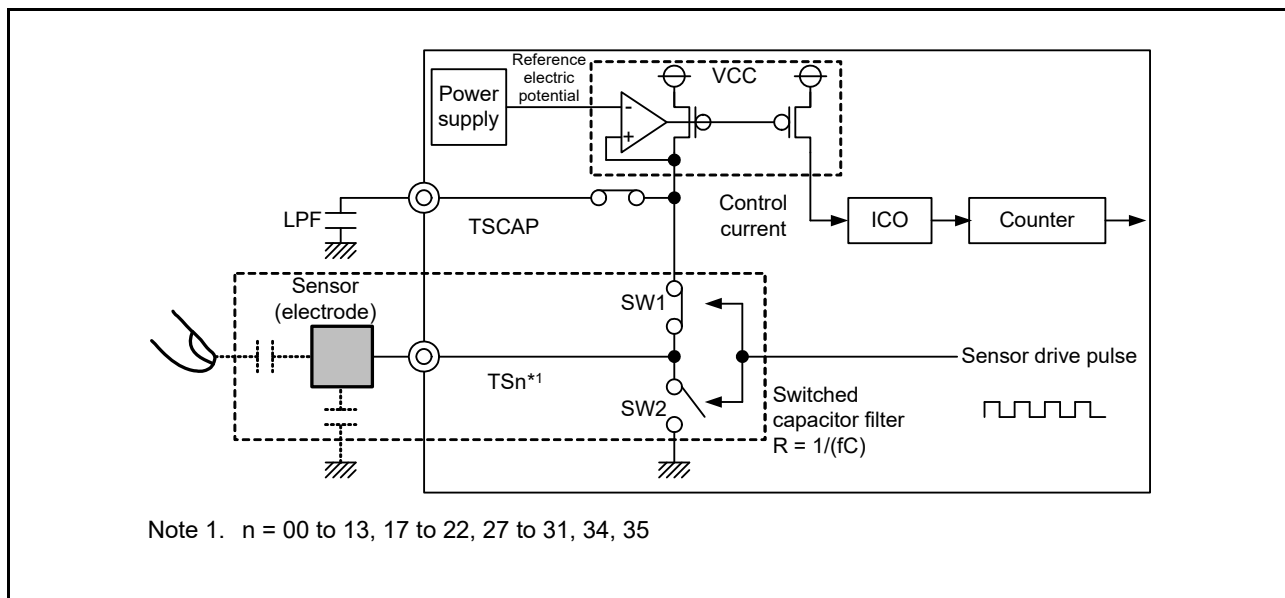


Figure 41.4 Measurement circuit

Figure 41.5 to Figure 41.7 explain the electrostatic capacitance measurement operation principles of the CTSU current frequency conversion method. The operation is as follows:

1. The electrostatic capacitance of the electrode is charged by turning SW1 on and SW2 off (Figure 41.5).
2. The charged capacitance is discharged by turning SW1 off and SW2 on (Figure 41.6).
3. Current flows to the switched capacitor filter by repeatedly charging and discharging the electrodes as in steps 1. and 2. At this point, if a finger is in close proximity, the capacitance and the flowing current change. A clock is generated by supplying the control current, a current that is proportional to the amount of the current flowing through the switched capacitor filter, from the circuit that generates the TSCAP power supply to the ICO. The counter measures the clock frequency that changes depending on whether a finger is in close proximity. Software uses the value read from the counter to determine contact with a finger (Figure 41.7).

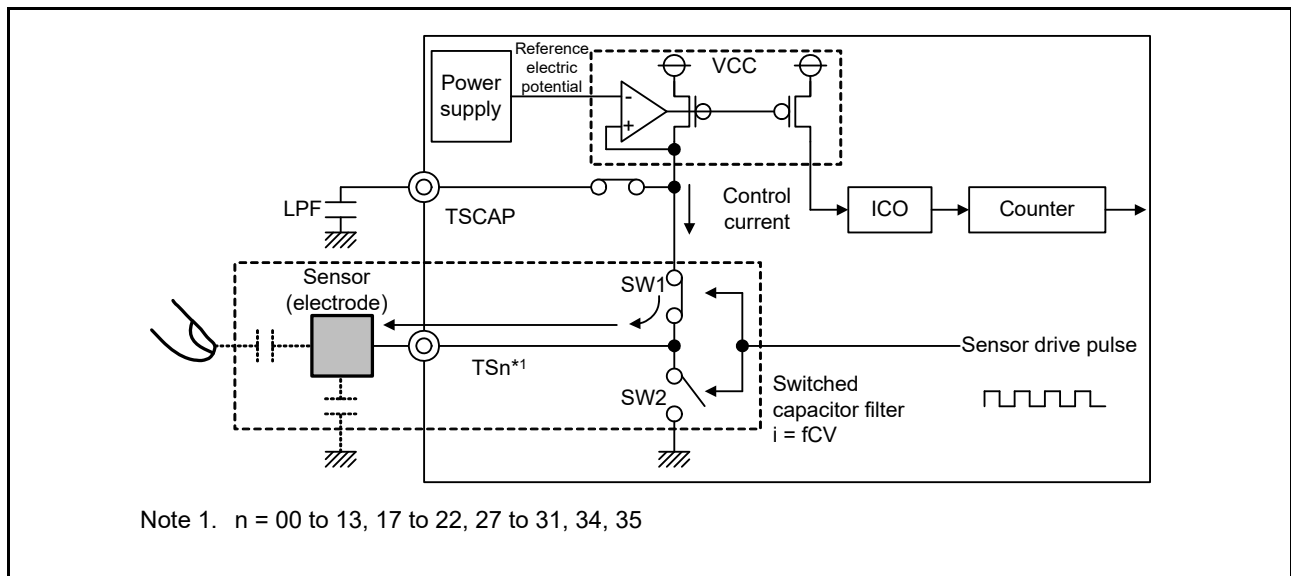


Figure 41.5 Charging operation

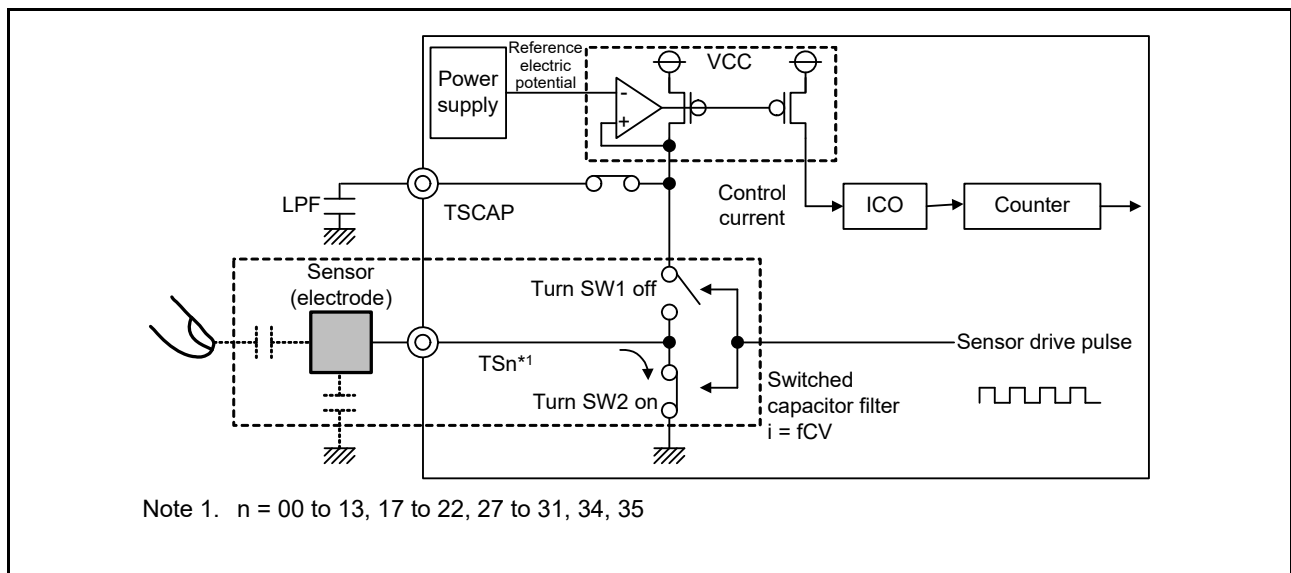


Figure 41.6 Discharging operation

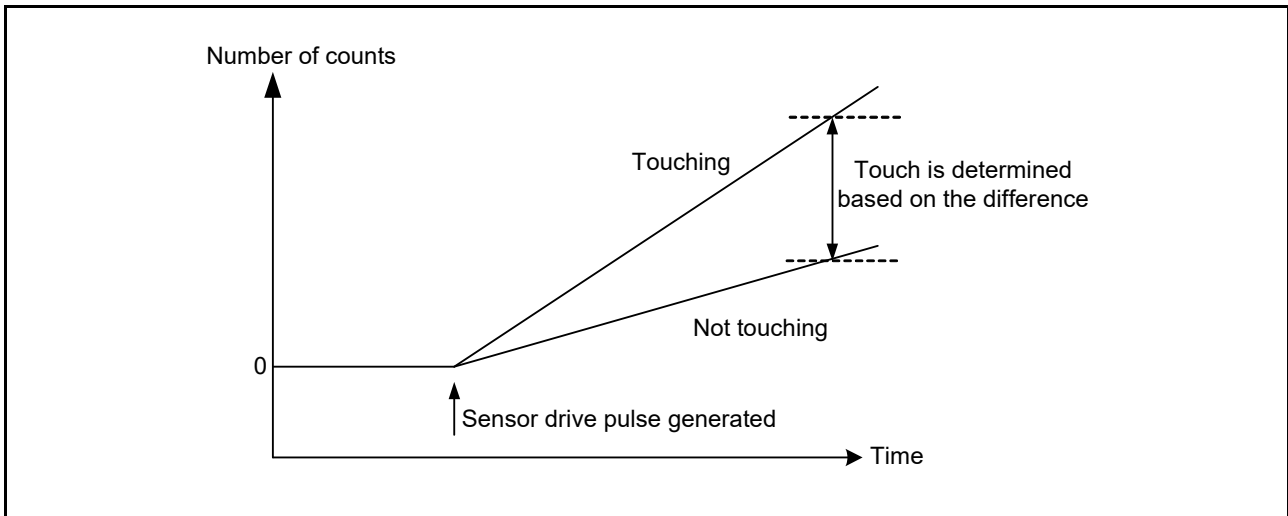


Figure 41.7 Change in measured value when finger is touching and not touching

41.3.2 Measurement Modes

The CTSU supports self-capacitance and mutual-capacitance methods. [Figure 41.8](#) shows these methods.

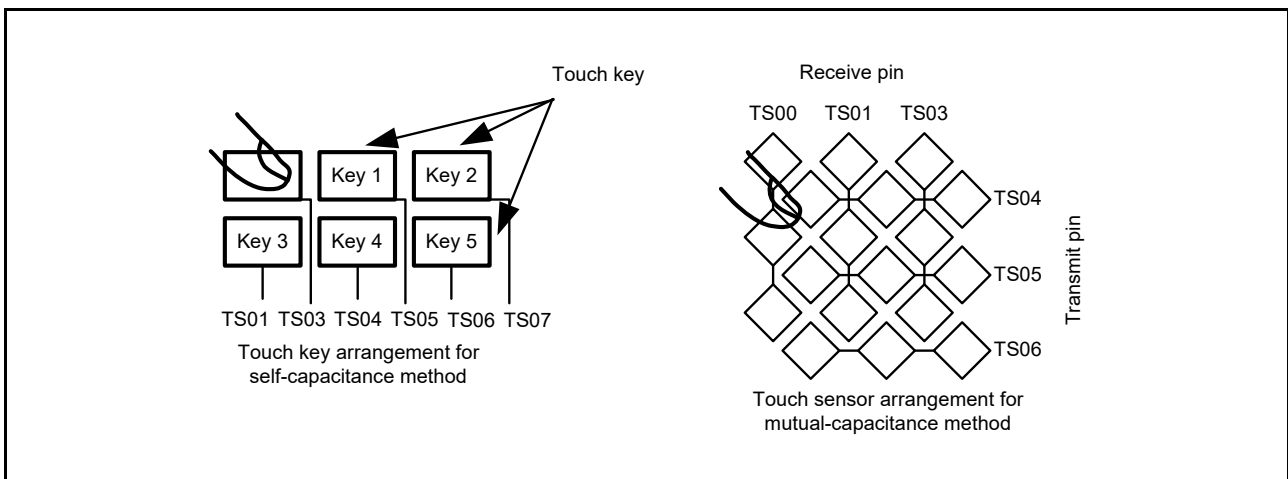


Figure 41.8 Overview of self-capacitance method and mutual-capacitance method

In the self-capacitance method, a single touch pin is allocated to a single touch key to measure individual electrostatic capacitance when a finger is in close proximity. In this method, capacitance can be measured in both single scan and multiscan modes. In the mutual-capacitance method, the capacitance between two opposing electrodes (transmit and receive pins) is measured.

41.3.2.1 Initial setting flow

Figure 41.9 shows the flow for the CTSU initial setting.

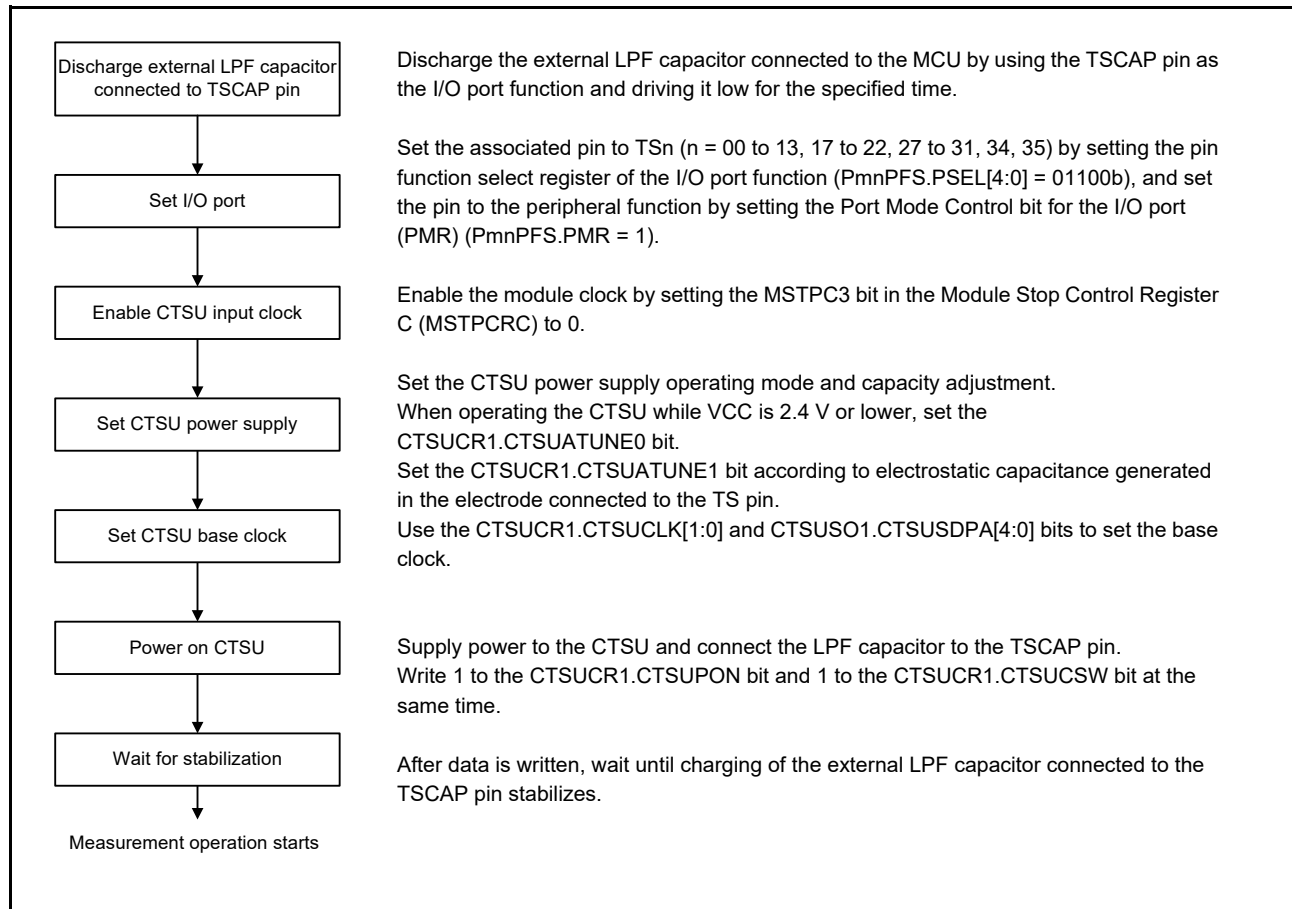


Figure 41.9 CTSU initial setting flow

Figure 41.10 shows the flow for stopping CTSU operation and invoking the standby state.

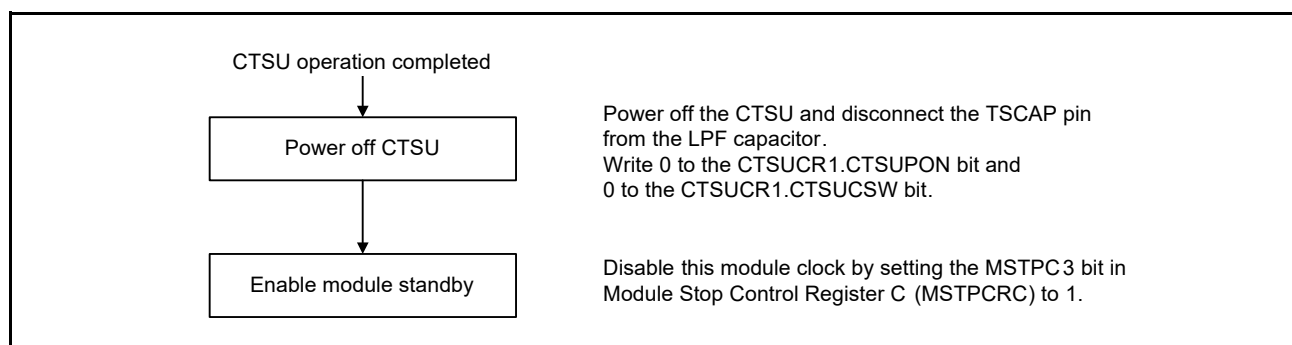


Figure 41.10 CTSU stopping flow

To restart operation, follow the initial setting flow shown in Figure 41.9.

41.3.2.2 Status counter

The measurement status counter of the CTSU Status Register (CTSUST) indicates the current measurement status. The measurement status applies to all three modes. [Figure 41.11](#) shows the status operation transitions.

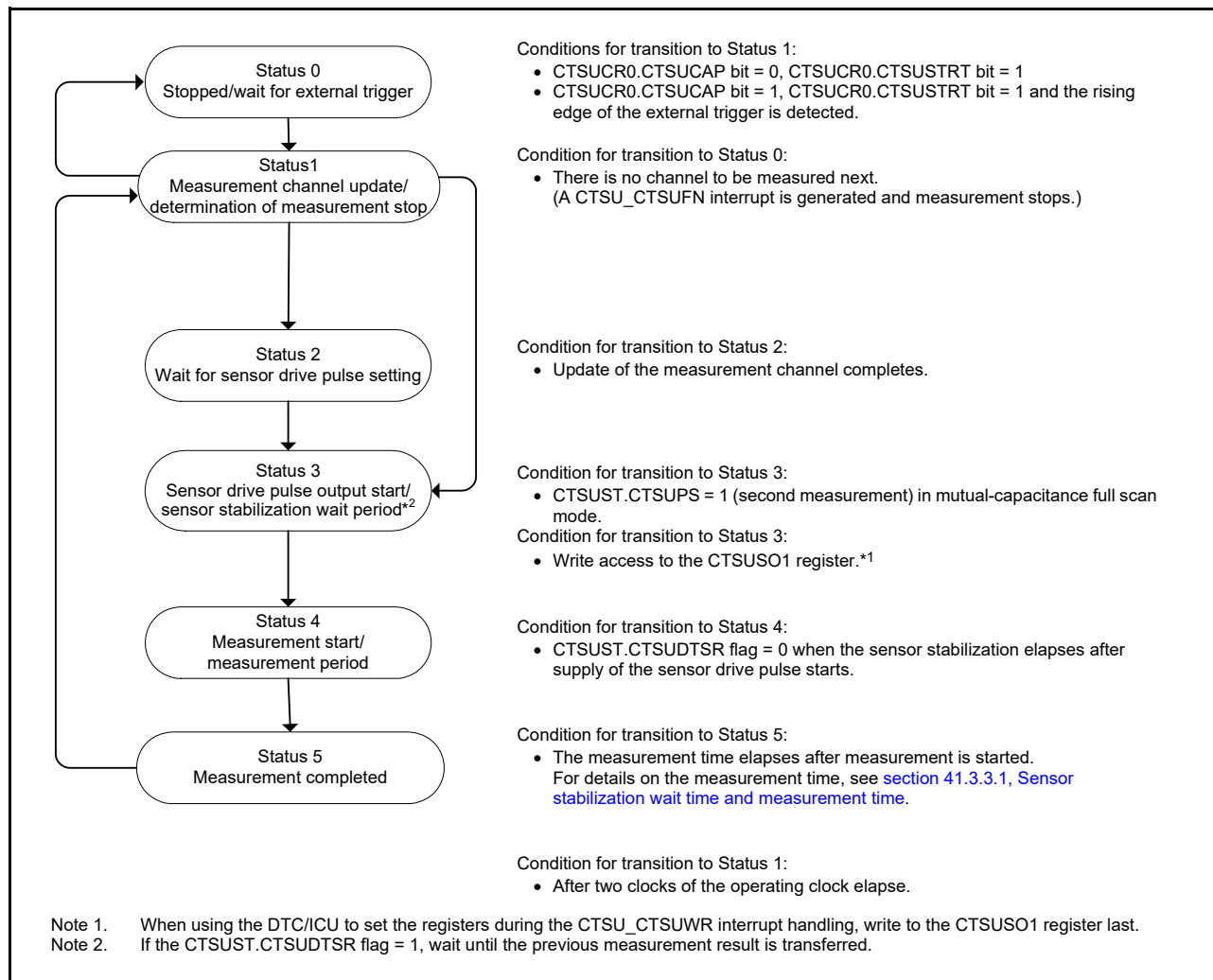


Figure 41.11 Status operation transitions

The status counter transitions to Status 0 when all of the specified measurement channels are measured.

The CTSUCR0.CTSUSTRT bit is set to 0 by hardware when a software trigger is used. When an external trigger is used, the value 1 is retained, and the CTSU waits for the next trigger.

When operation is forced to stop during measurement or the trigger wait state, by a simultaneous 0 write to the CTSUCR0.CTSUSTRT bit and a 1 write to CTSUCR0.CTSUINIT bit, the status transitions to Status 0 and measurement stops.

If the channel to be measured is not set in the CTSUMCH0, CTSUCHAC0 to CTSUCHAC4, and CTSUCHTRC0 to CTSUCHTRC4 registers, a CTSU_CTSUFN interrupt is generated immediately after a transition to Status 1, then the status transitions to Status 0.

The following are cases when there is no channel to be measured:

- No measurement target channel is specified in the CTSUCHAC0 to CTSUCHAC4 registers
- In self-capacitance single scan mode, the channel specified in the CTSUMCH0 register is not a measurement target in the CTSUCHAC0 to CTSUCHAC4 registers
- In full scan modes, there is no transmit channel or receive channel to be measured based on the combined settings of the CTSUCHAC0 to CTSUCHAC4, and CTSUCHTRC0 to CTSUCHTRC4 registers.

41.3.2.3 Self-capacitance single scan mode operation

In self-capacitance single scan mode, electrostatic capacitance is measured on one channel. Figure 41.12 shows the software flow and an operation example, and Figure 41.13 shows the timing.

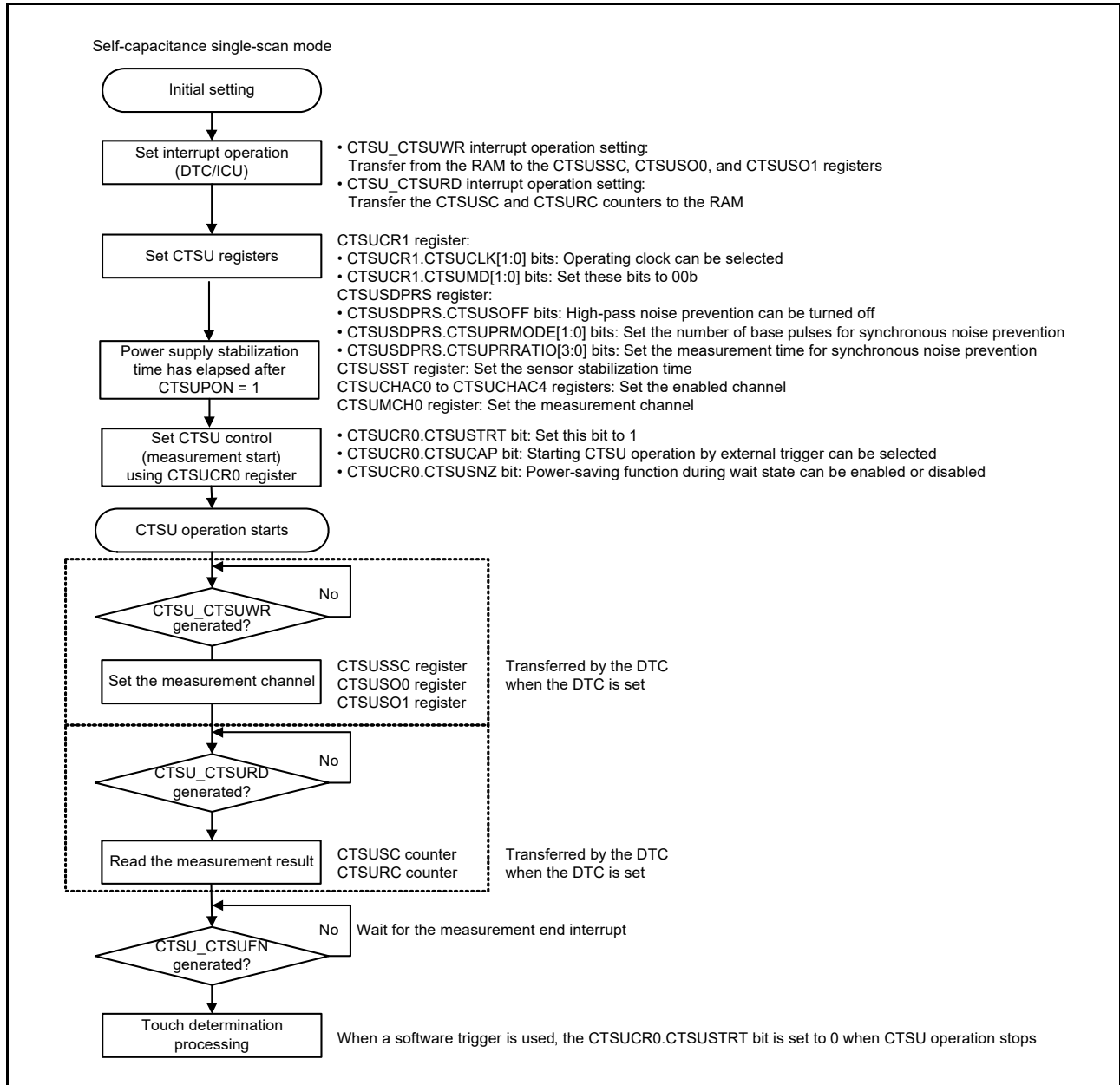


Figure 41.12 Software flow and example operation for self-capacitance single scan mode

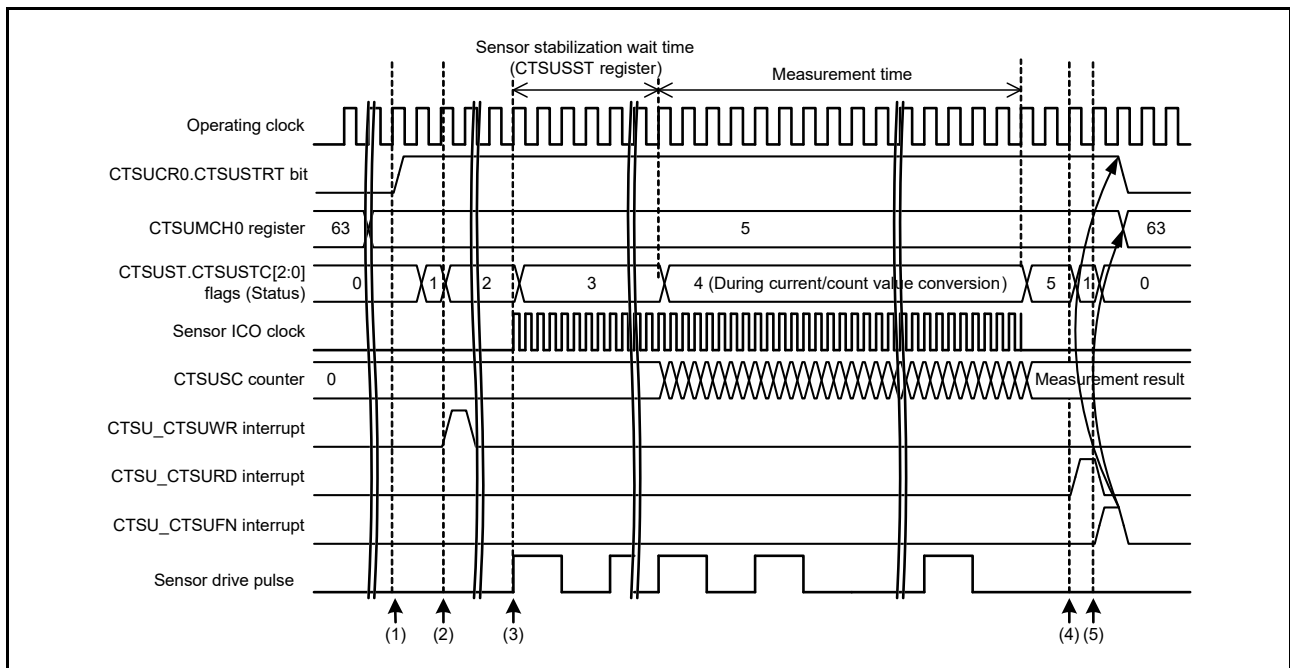


Figure 41.13 Timing of self-capacitance single scan mode when the measurement start condition is a software trigger

The following sequence describes the operation shown in [Figure 41.13](#):

1. After initial settings are made, operation is started by writing 1 to the CTSUCR0.CTSUSTRT bit.
2. After the channel to be measured is determined according to the preset conditions, a request to set the channel (CTSU_CTSUWR) is output.
3. On completion of writing the measurement channel settings (CTSUSSC, CTSUSO0, and CTSUSO1 registers), the sensor drive pulse is output and the sensor ICO clock and the reference ICO clock operate.
4. After the sensor stabilization wait time and the measurement time elapse and measurement stops, a measurement result read request (CTSU_CTSURD) is output.
5. A measurement end interrupt (CTSU_CTSUFN) is output and measurement stops (transition to Status 0).

[Table 41.6](#) lists the touch pin states in self-capacitance single scan mode.

Table 41.6 Touch pin states in self-capacitance single scan mode

| Status | Touch pin | |
|--------|------------------|----------------------|
| | Measured channel | Non-measured channel |
| 0 | Low | Low |
| 1 | Low | Low |
| 2 | Low | Low |
| 3 | Pulse | Low |
| 4 | Pulse | Low |
| 5 | Low | Low |

41.3.2.4 Self-capacitance multiscan mode operation

In self-capacitance multiscan mode, electrostatic capacitance on all channels that are specified as measurement targets in the CTSUCHAC0 to CTSUCHAC4 registers is measured sequentially in ascending order. Figure 41.14 shows the software flow and an operation example, and Figure 41.15 shows the timing.

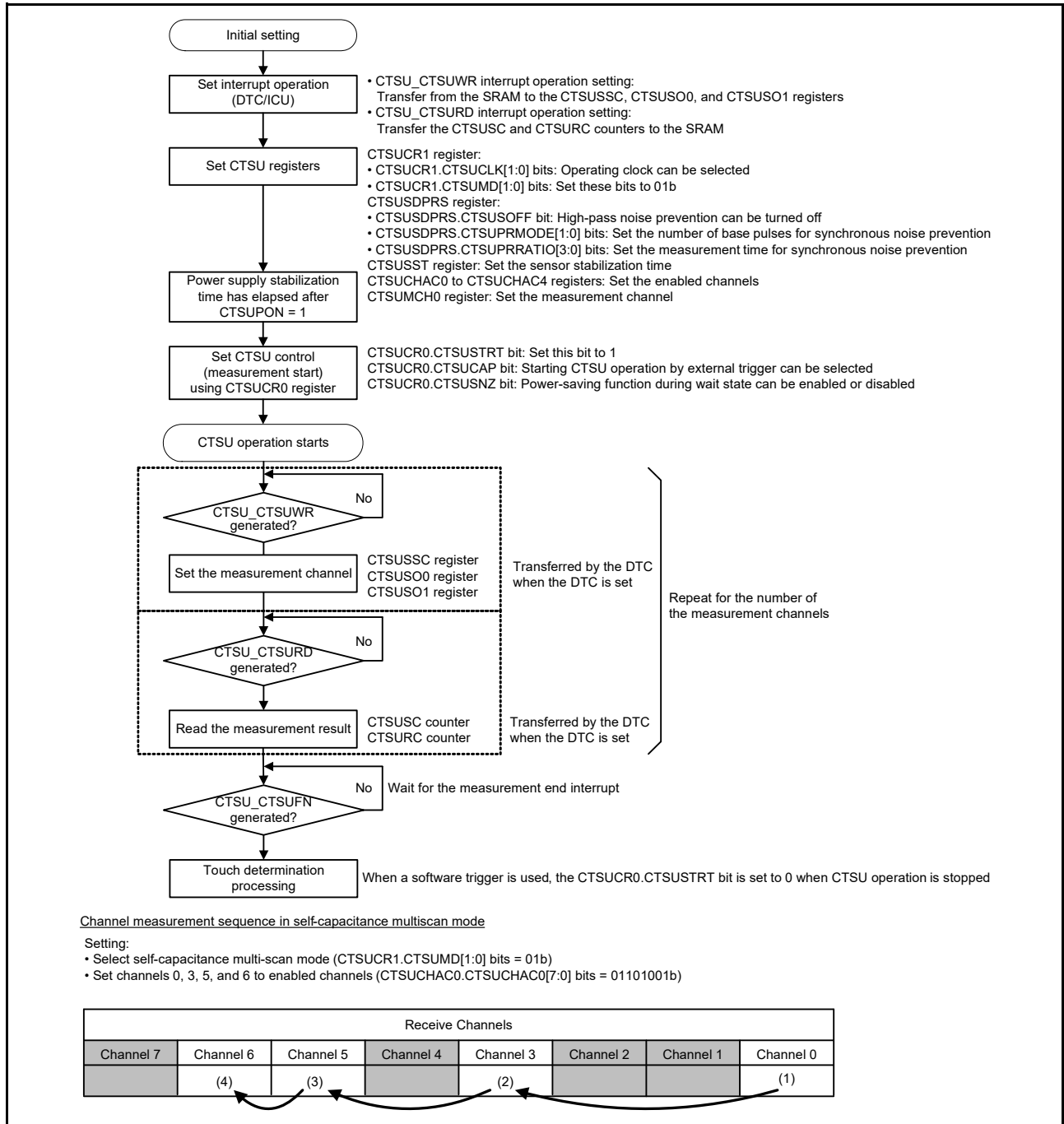


Figure 41.14 Software flow and example operation for self-capacitance multiscan mode

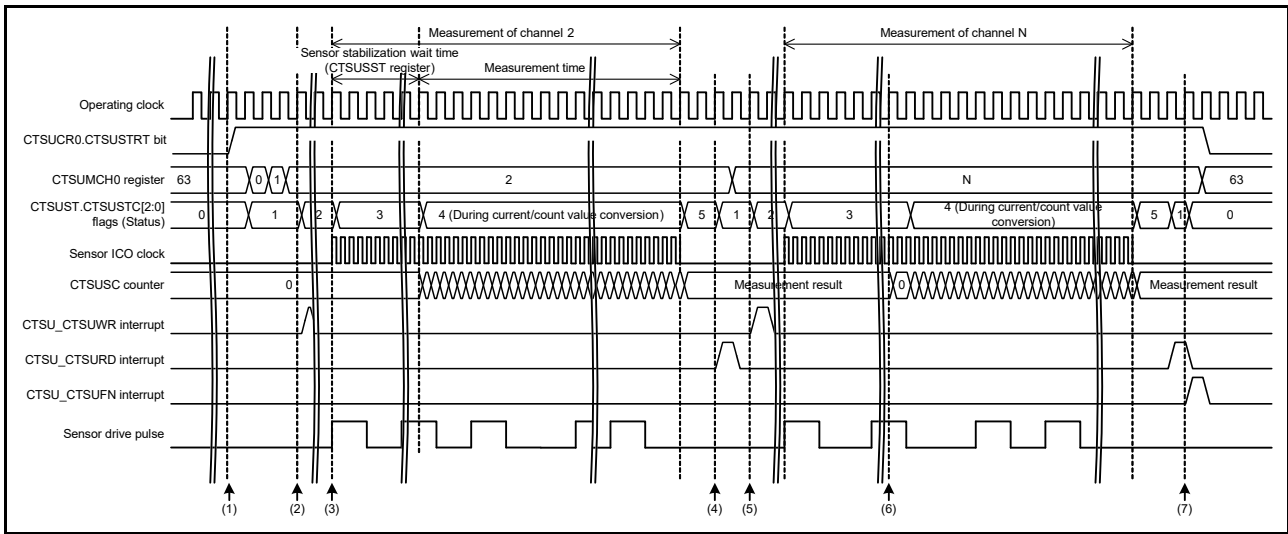


Figure 41.15 Timing of self-capacitance multiscan mode when the measurement start condition is a software trigger

The following sequence describes the operation shown in [Figure 41.15](#):

1. After initial settings are made, operation is started by writing 1 to the CTSUCR0.CTSUSTRT bit.
2. After the channel to be measured is determined according to the preset conditions, a request for setting the channel (CTSU_CTSUWR) is output.
3. On completion of writing the measurement channel settings (CTSUSSC, CTSUSO0, and CTSUSO1 registers), the sensor drive pulse is output, and the sensor ICO clock, and the reference ICO clock operate.
4. After the sensor stabilization wait time and the measurement time elapse, and measurement stops, a measurement result read request (CTSU_CTSURD) is output.
5. After the channel to be measured next is determined, a measurement channel setting request (CTSU_CTSUWR) is output.
6. After the stabilization wait time elapses and when the previous measurement is read, the result is cleared and measurement starts.
7. On completion of all measurement channels, a measurement end interrupt (CTSU_CTSUFN) is output and measurement stops (transition to Status 0).

[Table 41.7](#) lists the touch pin states in self-capacitance multiscan mode.

Table 41.7 Touch pin states in self-capacitance multiscan mode

| Status | Touch pin | |
|--------|------------------|----------------------|
| | Measured channel | Non-measured channel |
| 0 | Low | Low |
| 1 | Low | Low |
| 2 | Low | Low |
| 3 | Pulse | Low |
| 4 | Pulse | Low |
| 5 | Low | Low |

41.3.2.5 Mutual-capacitance full scan mode operation

In mutual capacitance full scan mode, measurement is performed during the high-level period of the sensor drive pulse on the receive channel by applying the edge to the target transmit channel to be measured. A single measurement target is measured twice, on the rising and falling edges. The difference between the data of these two measurements determines whether or not the electrode was touched, which results in a higher touch sensitivity.

Electrostatic capacitance is measured sequentially on channels set to transmission or reception in the CTSUCHTRC0 to CTSUCHTRC4 registers, and specified as measurement targets in the CTSUCHAC0 to CTSUCHAC4 registers. The capacitance is measured by combining these signals. Figure 41.16 shows the software flow and an operation example, and Figure 41.17 shows the timing.

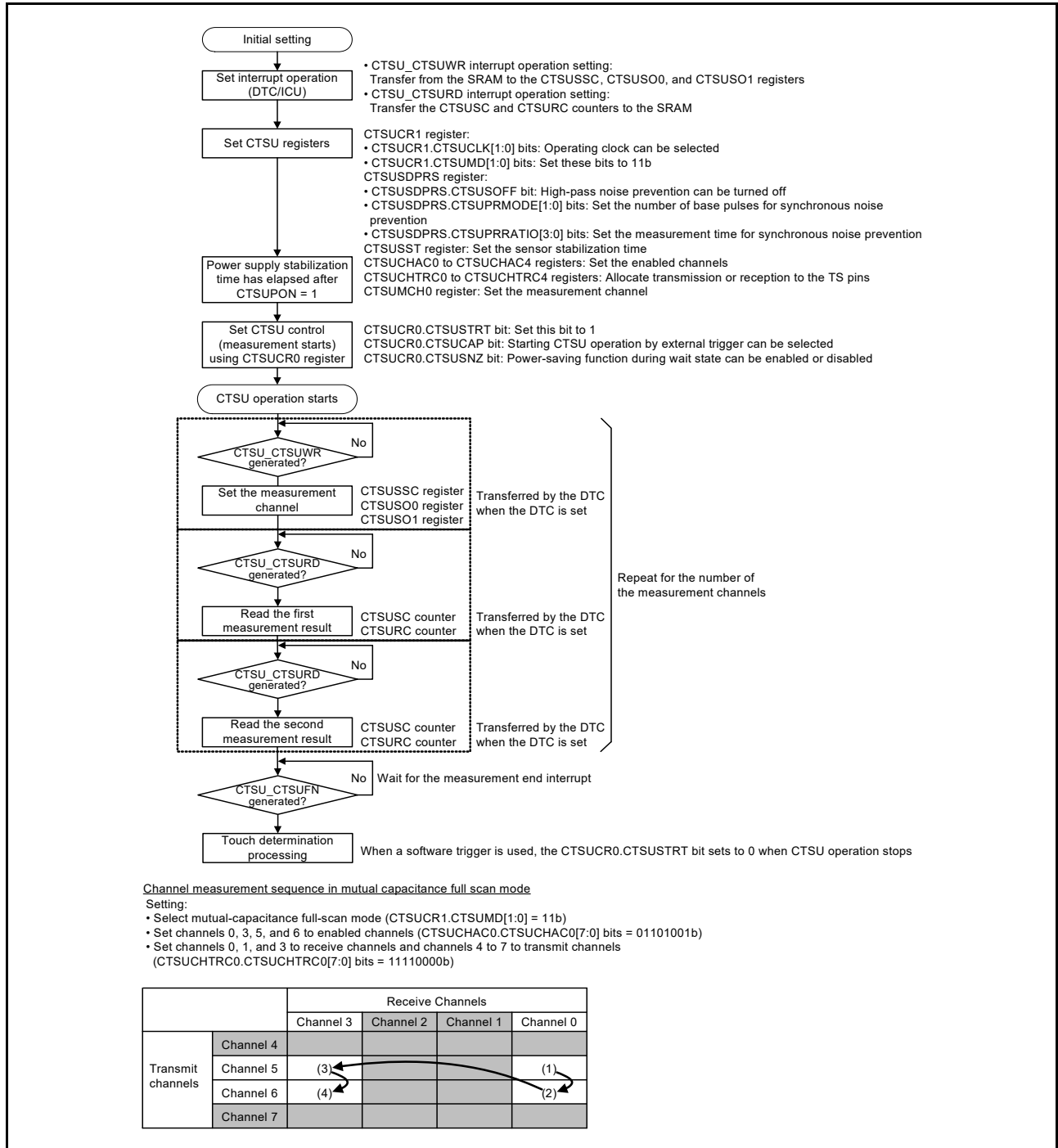


Figure 41.16 Software flow and example operation for mutual capacitance full scan mode

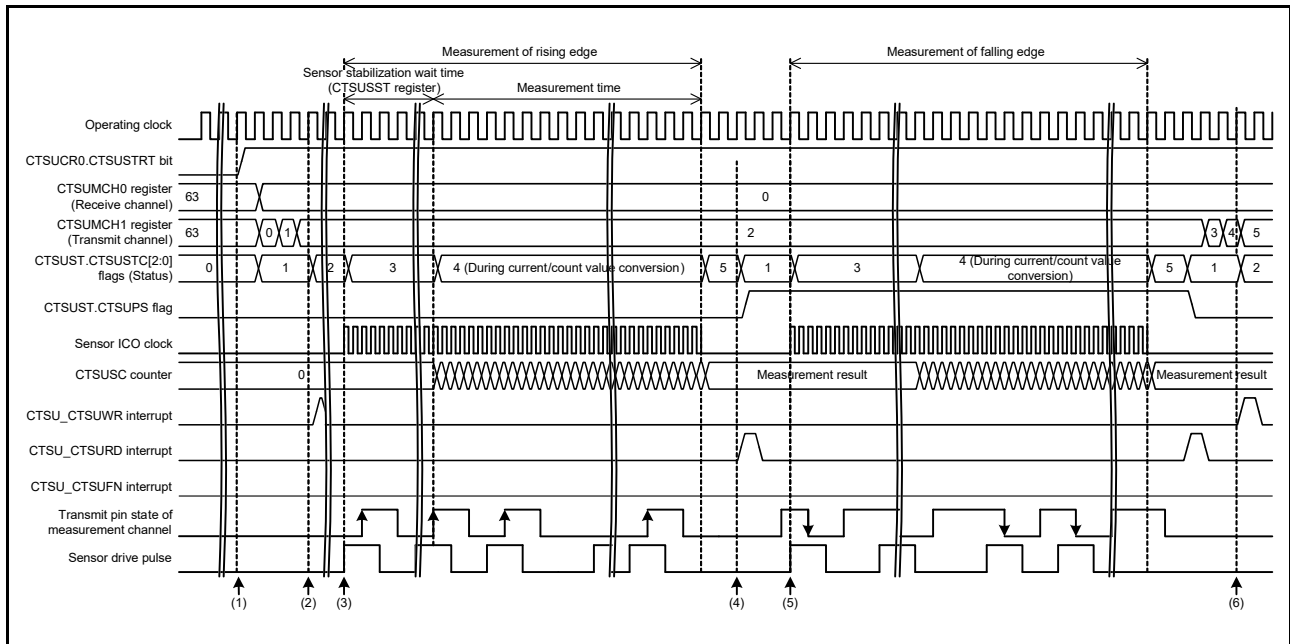


Figure 41.17 Timing of mutual capacitance full scan mode when the measurement start condition is a software trigger

The following sequence describes the operation shown in [Figure 41.17](#):

1. After initial settings are made, operation is started by writing 1 to the CTSUCR0.CTSUSTRT bit.
2. After the channel to be measured is determined according to the preset conditions, a request to set the channel (CTSUSU_CTSUWR) is output.
3. On completion of writing the measurement channel settings (CTSUSUSC, CTSUSUSO0, and CTSUSUSO1 registers), the sensor drive pulse is output and the sensor ICO clock and the reference ICO clock operate. At the same time, a pulse detected on the rising edge is output to the transmit pin on the measurement channel during the high-level period of the sensor drive pulse.
4. After the sensor stabilization wait time and the measurement time elapse and measurement stops, a measurement result read request (CTSUSU_CTSURD) is output.
5. The same channel is measured by outputting a pulse detected on the falling edge during the high-level period of the sensor drive pulse.
6. After the same channel is measured twice, the channel to be measured next is determined and measured in the same way.
7. On completion of all measurement channels, a measurement end interrupt (CTSUSU_CTSUFN) is output and measurement stops (transition to Status 0).

The CTSUS Mutual Capacitance Status Flag (CTSUSUST.CTSUSUPS bit) changes when Status 5 transitions to Status 1.

[Table 41.8](#) lists the touch pin states in mutual capacitance full scan mode.

Table 41.8 Touch pin states in mutual capacitance full scan mode (1 of 2)

| Status | Touch pin for receive channels | | Touch pin for transmit channels | | Remarks |
|--------|--------------------------------|----------------------|---------------------------------|----------------------|---------|
| | Measured channel | Non-measured channel | Measured channel | Non-measured channel | |
| 0 | Low | Low | Low | Low | - |
| 1 | Low | Low | Low/High | Low | - |
| 2 | Low | Low | Low | Low | - |

Table 41.8 Touch pin states in mutual capacitance full scan mode (2 of 2)

| Status | Touch pin for receive channels | | Touch pin for transmit channels | | Remarks |
|--------|--------------------------------|----------------------|---------------------------------|----------------------|----------------------------------------------------------------------------------------------------------------------------|
| | Measured channel | Non-measured channel | Measured channel | Non-measured channel | |
| 3 | Pulse | Low | Pulse | Low | The phase pulse is the same as that of the receive channel on the first measurement and opposite on the second measurement |
| 4 | Pulse | Low | Pulse | Low | - |
| 5 | Low | Low | Low | Low | - |

41.3.3 Parameters Common to Multiple Modes

41.3.3.1 Sensor stabilization wait time and measurement time

Figure 41.18 shows the timing of the sensor stabilization wait and measurement.

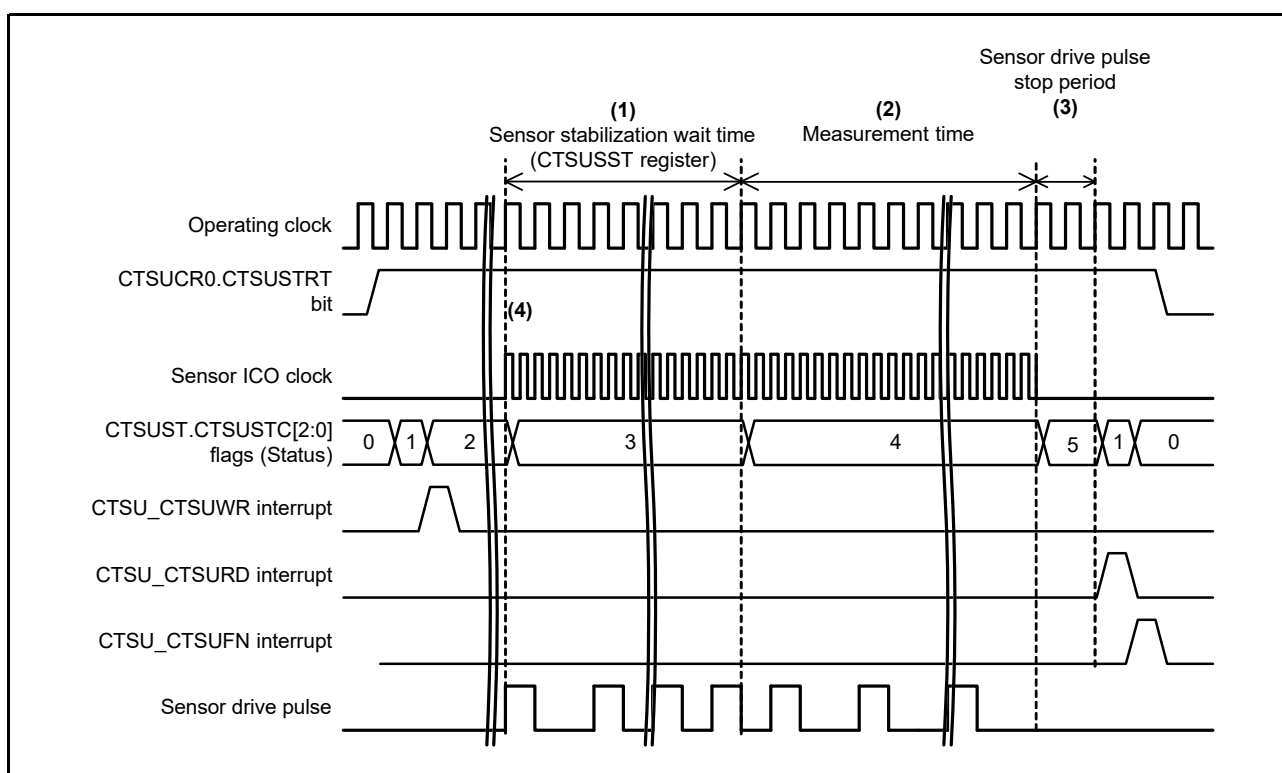


Figure 41.18 Sensor stabilization wait and measurement timing

The following sequence describes the operation shown in Figure 41.18:

1. In response to the CTSU_CTSUWR interrupt request, output of the sensor drive pulse is started by a write access to the CTSUSO1 register. The CTSU waits for the stabilization time set in the CTSUSST register.
2. When the sensor stabilization time elapses and the CTSUST.CTSUDTSR flag clears to 0, measurement starts on transition to Status 4. The measurement time is determined by the base clock cycle setting and the CTSUSDPRS.CTSUPRMODE[1:0], CTSUPRRATIO[3:0], and CTSUSO0.CTSUSNUM[5:0] bits. When the measurement time elapses, measurement of the channel stops.
3. After the measurement time elapses, the status transitions to Status 1 after 2 operating clock cycles, and a CTSU_CTSURD interrupt is generated. Read the data from the CTSUSC and CTSURC counters. At this time, the sensor drive pulse is output low. When measurement of all specified channels is completed, the CTSUCR0.CTSUSTRT bit clears to 0.
4. The sensor ICO clock oscillates while the CTSUST.CTSUSTC[2:0] flags are equal to 011b (Status 3) or 100b (Status 4).

41.3.3.2 Interrupts

The CTSU supports the following interrupts:

- Write request interrupt for setting registers for each channel (CTSU_CTSUWR)
- Measurement data transfer request interrupt (CTSU_CTSURD)
- Measurement end interrupt (CTSU_CTSUFN).

(1) Write request interrupt for setting registers for each channel (CTSU_CTSUWR)

Store the settings for each measurement channel in the SRAM, and set up the DTC or ICU transfer associated with the CTSU_CTSUWR interrupt in advance. The CTSU_CTSUWR interrupt is output when Status 1 transitions to Status 2. Write the settings for the selected channel from the SRAM to the CTSUSSC, CTSUSO0, and CTSUSO1 registers (Figure 41.19). Because write access to the CTSUSO1 register controls the transition to the next status, be sure to set this register last.

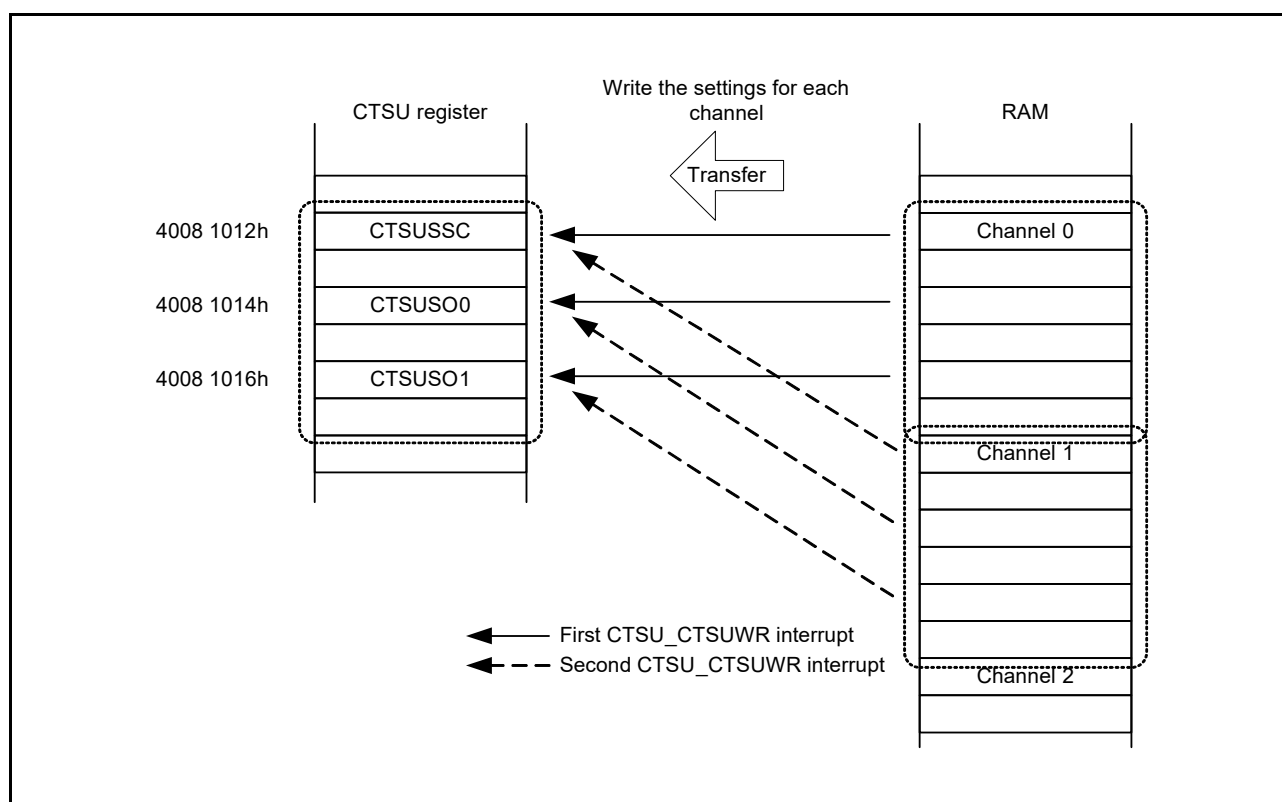


Figure 41.19 Example of DTC transfer operation using the CTSU_CTSUWR interrupt

The registers to be set (CTSUSSC, CTSUSO0, and CTSUSO1) are allocated at sequential addresses. On CTSU_CTSUWR interrupt generation, set up the operation as follows:

- Transfer destination address: CTSUSSC register address
- Handling at the transfer destination address: Transfer 2-byte data three times for a single interrupt. The address of the start byte is fixed.
- Transfer source address: CTSUSSC register data storage address for the lowest channel in the settings stored in the SRAM
- Handling at the transfer source address: Transfer 2-byte data three times for a single interrupt. The address of the first byte is continued from the previous interrupt handling.
- Number of transfers per interrupt: Specify the number of measurements.

(2) Measurement data transfer request interrupt (CTSU_CTSURD)

Set up the DTC or ICU transfer associated with the CTSU_CTSURD interrupt in advance. The CTSU_CTSURD interrupt is output when Status 5 transitions to Status 1. Read the measurement result from the CTSUSC and CTSURC counters (Figure 41.20).

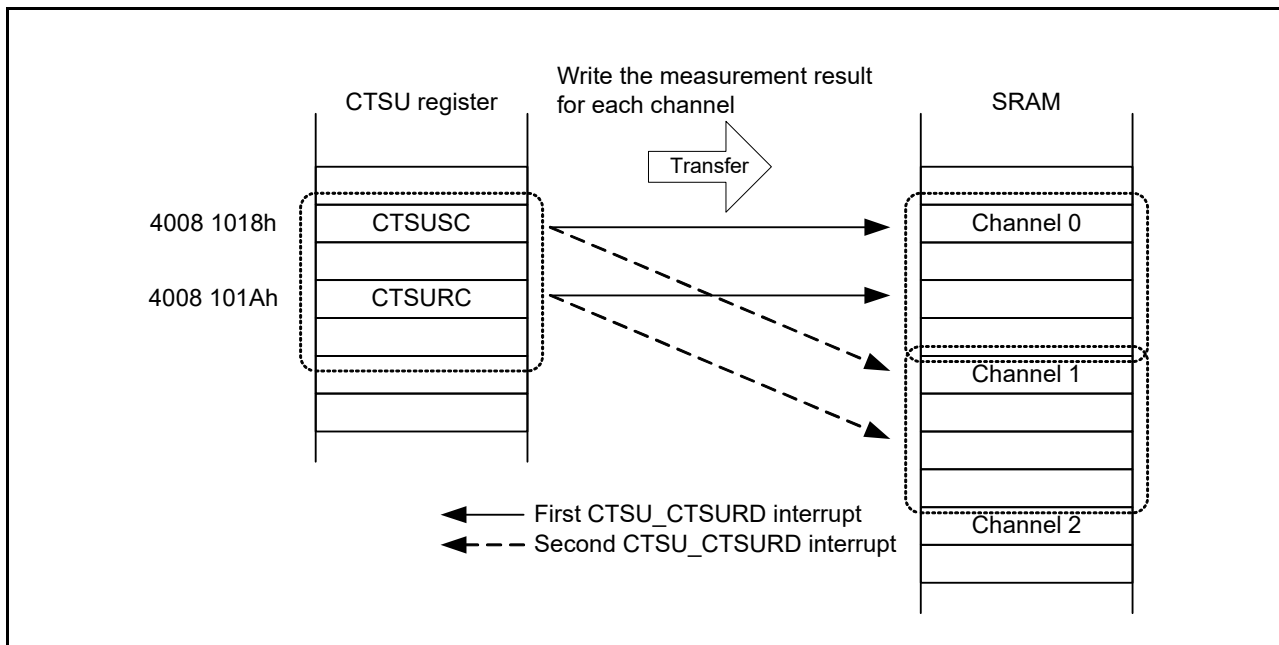


Figure 41.20 Example of DTC transfer operation using the CTSU_CTSURD interrupt

The measurement result registers (CTSUSC and CTSURC counters) used as transfer sources are allocated at sequential addresses. On CTSU_CTSURD interrupt generation, set up the operation as follows:

- Transfer source address: CTSUSC counter address
- Handling at the transfer source address: Transfer 2-byte data twice for a single interrupt. The start address is fixed.
- Transfer destination address: CTSUSC counter data storage address for the lowest channel in the settings stored in the SRAM
- Handling at the transfer destination address: Transfer 2-byte data twice for a single interrupt. The start address is continued from the previous interrupt handling.
- Number of transfers by an interrupt: Specify the number of measurements.

(3) Measurement end interrupt (CTSU_CTSUFN)

After all channels are measured, an interrupt is generated when Status 1 transitions to Status 0. Use software to check the overflow flags (CTSUST.CTSUSOVF and CTSUROVF flags) and read the measurement results to determine whether the electrode was touched. Interrupt requests are accepted or disabled in the interrupt control block.

41.4 Usage Notes

41.4.1 Measurement Result Data (CTSUSC and CTSURC Counters)

Read access during measurement is prohibited. If the measurement result data is accessed, an incorrect value might be read because of asynchronous operation.

41.4.2 Constraints on Software Trigger

When 10b (PCLKB/4) is selected in the CTSUCR1.CTSUCLK[1:0] bits, to restart measurement by writing 1 to the CTSUR0.CTSUSTRT bit after measurement completes, wait for at least 3 cycles to elapse after an interrupt is generated, then write to the CTSUCR0.CTSUSTRT bit.

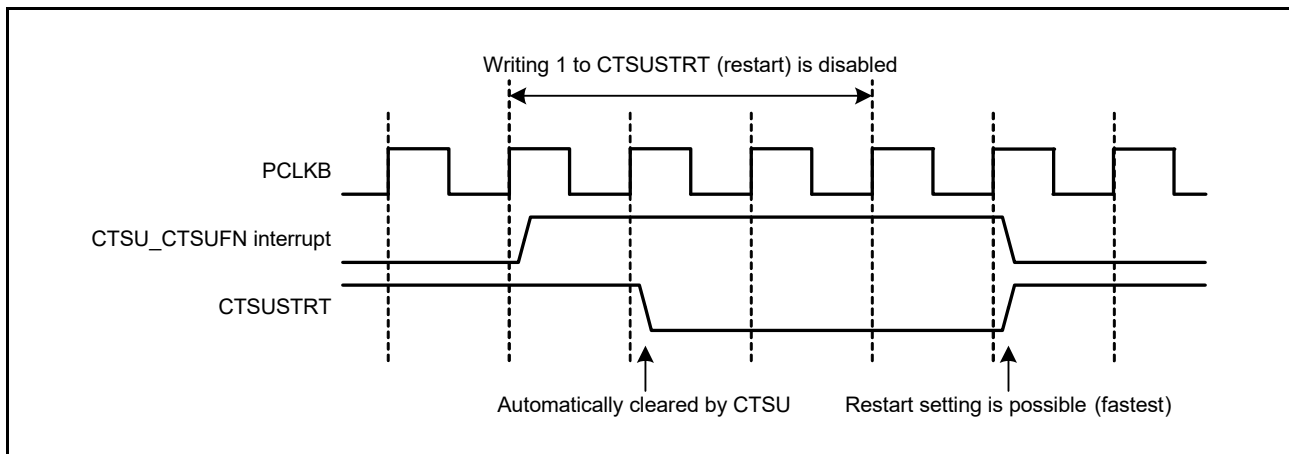


Figure 41.21 Notes on restarting measurement

41.4.3 Constraints on External Triggers

- If an external trigger is input during the measurement time, measurement does not start. The next external event is enabled after 1 cycle of the operating clock when a CTSU_CTSUFN interrupt is generated.
- To stop external trigger mode, write 0 to the CTSUCR0.CTSUSTRT bit and 0 to the CTSUCR0.CTSUINIT bit at the same time (forced stop).

41.4.4 Constraints on Forced Stops

To force the current operation to stop, write 0 to the CTSUCR0.CTSUSTRT bit and 1 to the CTSUCR0.CTSUINIT bit at the same time. After this setting, the operation is stopped and the internal control registers are initialized.

When the CTSUCR0.CTSUINIT bit is used for initialization, the following registers are initialized in addition to the initialization of the internal measurement state:

- CTSUMCH0 register
- CTSUMCH1 register
- CTSUST register
- CTSUSC counter
- CTSURC counter.

If operation is forced to stop, an interrupt request might be generated depending on the internal state. After a forced stop, also perform the processing for stopping and disabling the DTC or ICU. If a DTC transfer is stopped in an installed system for some reason, also perform the processing to force the stop and to initialize the CTSU.

41.4.5 TSCAP Pin

The TSCAP pin requires an external decoupling capacitor to stabilize CTSU internal voltage. The traces between the TSCAP pin and the capacitor, and the capacitor and ground should be as short and wide as physically possible.

The capacitor connected to the TSCAP pin should be fully discharged using I/O port control to output a low level, before turning on the switch (CTSUCR1.CTSUCSW bit = 1) to establish a connection.

41.4.6 Constraints on Measurement Operation (CTSUCR0.CTSUSTRT bit = 1)

During measurement (CTSUCR0.CTSUSTRT bit = 1), do not use settings for stopping the peripheral clock or changing the port settings related to the touch pins (TSn and TSCAP pins) in the higher layers of the system.

If control settings non-compliant with these constraints are made, operation is forced to stop (CTSUCR0.CTSUSTRT bit = 0 and CTSUCR0.CTSUINIT bit = 1), write 0 to the CTSUCR1.CTSUPON bit and 0 to the CTSUCR1.CTSUCSW bit at the same time, and set the CTSUCR0.CTSUSNZ bit to 0. Then, restart from the initial settings flow shown in [Figure 41.9](#).

42. Data Operation Circuit (DOC)

42.1 Overview

The Data Operation Circuit (DOC) compares, adds, and subtracts 16-bit data. When a selected condition applies, 16-bit data is compared and an interrupt can be generated.

Table 42.1 lists the DOC specifications and Figure 42.1 shows a block diagram.

Table 42.1 DOC specifications

| Parameter | Description |
|------------------------------------------------|--------------------------------------------------------------------------------------------------------------------------------------------------------------------------------------------------------------------------------------------------------------------------------|
| Data operation function | 16-bit data comparison, addition, and subtraction |
| Module-stop function | Module-stop state can be set to reduce power consumption |
| Interrupts and event link function (DOC_DOPCI) | An interrupt is generated on the following conditions: <ul style="list-style-type: none"> • Compared values either match or mismatch • The result of data addition is greater than FFFFh • The result of data subtraction is less than 0000h. |

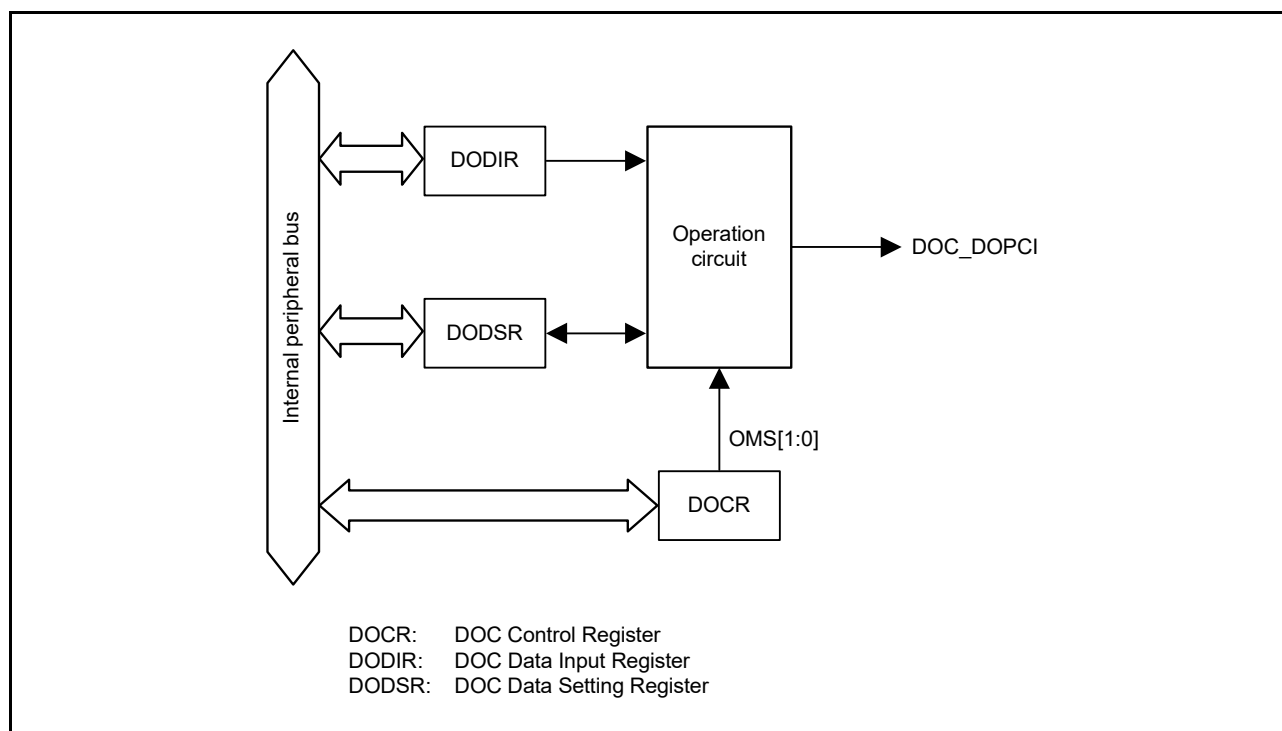
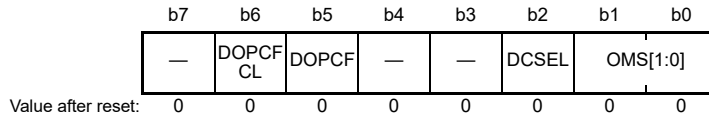


Figure 42.1 DOC block diagram

42.2 Register Descriptions

42.2.1 DOC Control Register (DOCR)

Address(es): DOC.DOCR 4005 4100h



| Bit | Symbol | Bit name | Description | R/W |
|--------|----------|-----------------------------|-------------------------------------------------------------------------------------------------------------------------|-----|
| b1, b0 | OMS[1:0] | Operating Mode Select | b1 b0 0 0: Data comparison mode 0 1: Data addition mode 1 0: Data subtraction mode 1 1: Setting prohibited. | R/W |
| b2 | DCSEL*1 | Detection Condition Select | 0: Set DOPCF when data mismatch is detected 1: Set DOPCF when data match is detected. | R/W |
| b4, b3 | — | Reserved | These bits are read as 0. The write value should be 0. | R/W |
| b5 | DOPCF | Data Operation Circuit Flag | Indicates the result of an operation | R |
| b6 | DOPCFCL | DOPCF Clear | 0: Retain DOPCF flag state 1: Clear DOPCF flag. | R/W |
| b7 | — | Reserved | This bit is read as 0. The write value should be 0. | R/W |

Note 1. Only valid when data comparison mode is selected.

OMS[1:0] bits (Operating Mode Select)

The OMS[1:0] bits select the operating mode of the DOC.

DCSEL bit (Detection Condition Select)

The DCSEL bit selects the detection condition in data comparison mode. This bit is only valid when data comparison mode is selected.

DOPCF flag (Data Operation Circuit Flag)

The DOPCF flag indicates the result of an operation.

[Setting conditions]

- The condition selected in the DCSEL bit is met
- A data addition result is greater than FFFFh
- A data subtraction result is less than 0000h.

[Clearing condition]

- Writing 1 to the DOPCFCL bit.

DOPCFCL bit (DOPCF Clear)

Setting the DOPCFCL bit to 1 clears the DOPCF flag. This bit is read as 0.

42.2.2 DOC Data Input Register (DODIR)

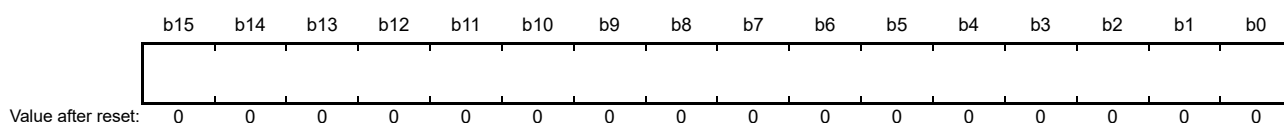
Address(es): DOC.DODIR 4005 4102h



DODIR is a 16-bit read/write register that stores 16-bit data used in all operations.

42.2.3 DOC Data Setting Register (DODSR)

Address(es): DOC.DODSR 4005 4104h



DODSR is a 16-bit read/write register that stores 16-bit data used as a reference in data comparison mode. This register also stores the results of operations in data addition and subtraction modes.

42.3 Operation

42.3.1 Data Comparison Mode

Figure 42.2 shows an example DOC operation in data comparison mode. The following sequence is an example of operation when DCSEL is set to 0, that is, when data mismatch is detected as a result of a data comparison:

1. Write 00b to the DOCR.OMS[1:0] bits to select data comparison mode.
2. Set 16-bit reference data in DODSR.
3. Write 16-bit data for comparison to DODIR.
4. Continue writing 16-bit data until all data to be compared is written to DODIR.
5. If a value written to DODIR does not match that in DODSR, the DOCR.DOPCF flag is set to 1.

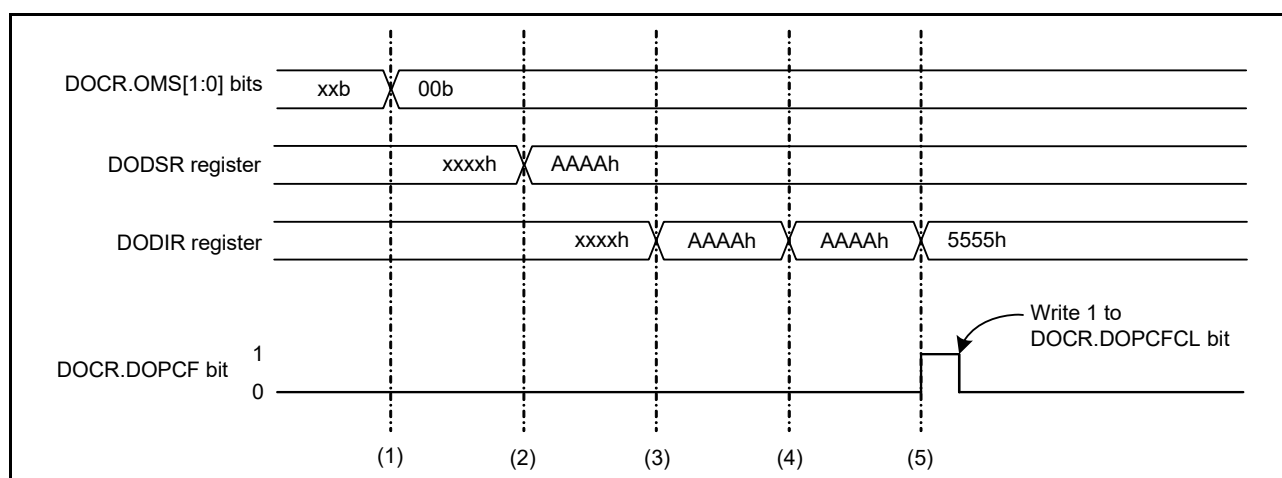


Figure 42.2 Example of operation in data comparison mode

42.3.2 Data Addition Mode

Figure 42.3 shows an example for DOC operation in data addition mode. The steps are as follows:

1. Write 01b to the DOCR.OMS[1:0] bits to select data addition mode.
2. Set 16-bit data in the DODSR register as the initial value.
3. Write 16-bit data to be added to the DODIR register. The result of the operation is stored in DODSR.
4. Continue writing 16-bit data until all data to be added is written to DODIR.
5. If the result of an operation is greater than FFFFh, the DOCR.DOPCF flag is set to 1.

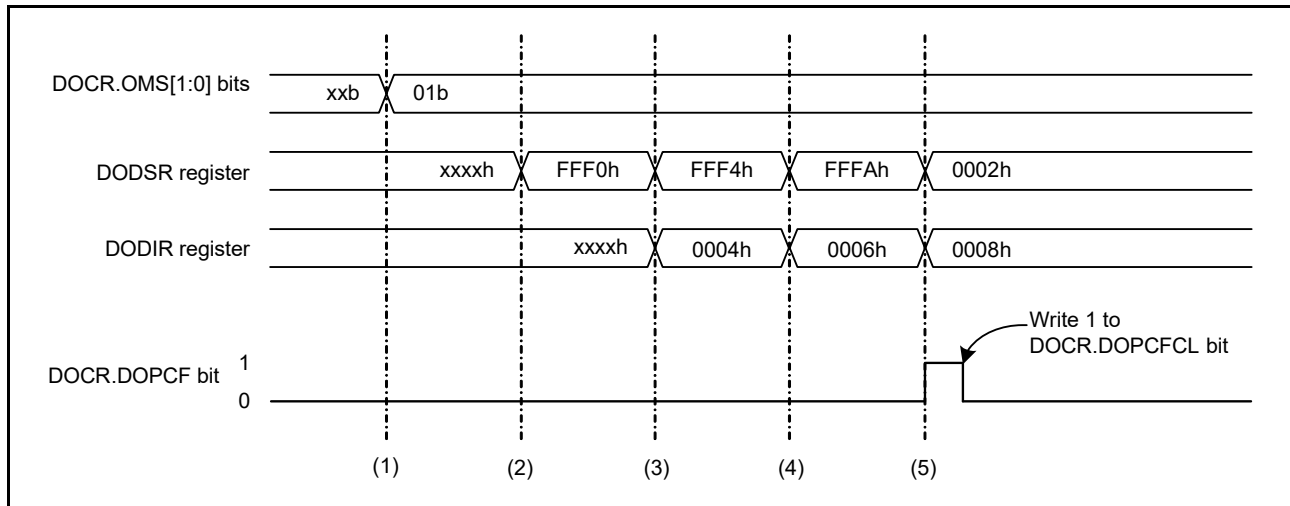


Figure 42.3 Example operation in data addition mode

42.3.3 Data Subtraction Mode

Figure 42.4 shows an example for DOC operation in data subtraction mode. The steps are as follows:

1. Write 10b to the DOCR.OMS[1:0] bits to select data subtraction mode.
2. Set 16-bit data as the initial value in the DODSR register.
3. Write the 16-bit data to be subtracted to the DODIR register. The result of the operation is stored in DODSR.
4. Continue writing 16-bit data to DODIR until all data to be subtracted is written.
5. If the result of an operation is less than 0000h, the DOCR.DOPCF flag is set to 1.

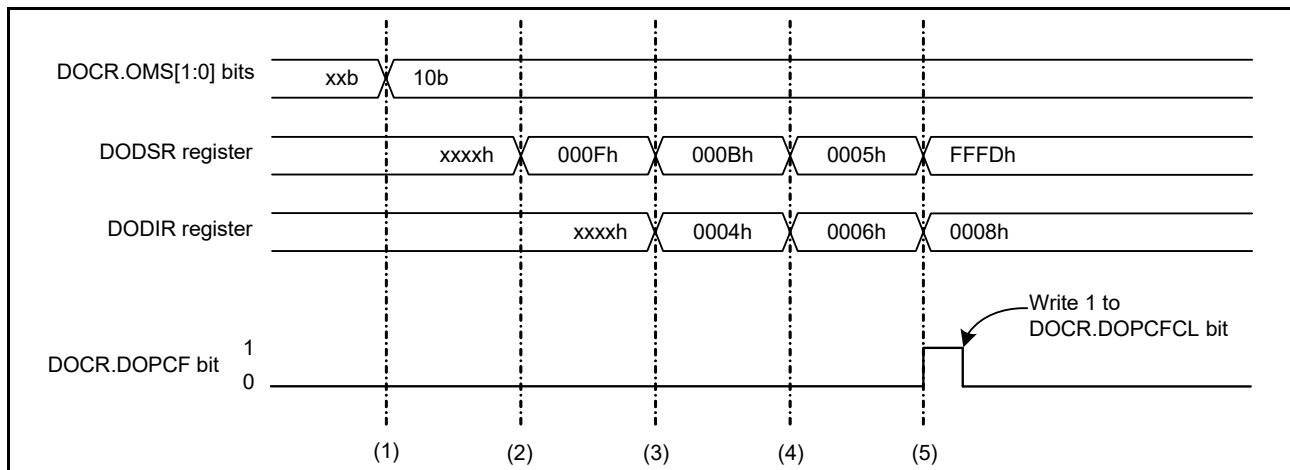


Figure 42.4 Example operation in data subtraction mode

42.4 Interrupt Request and Output to the Event Link Controller (ELC)

The DOC outputs an event signal to the ELC under the following conditions:

- The compared values either match or mismatch
- The result of data addition is greater than FFFFh
- The result of data subtraction is less than 0000h.

This signal can be used to initiate operations by other modules selected in advance and can also be used as an interrupt request. When an event signal is generated, the Data Operation Circuit Flag (DOCR.DOPCF) is set to 1.

42.5 Usage Notes

42.5.1 Settings for the Module-Stop State

DOC operation can be disabled or enabled with the Module Stop Control Register C (MSTPCRC). The DOC is initially stopped after reset. Releasing the module-stop state enables access to the registers. For details, see [section 10, Low Power Modes](#).

43. SRAM

43.1 Overview

The MCU provides an on-chip high-speed SRAM module with either parity-bit checking or Error Correction Code (ECC). The first 16-KB area of the SRAM0 is subject to ECC. Parity check is performed on the other areas.

Table 43.1 lists the SRAM specifications.

Table 43.1 SRAM specifications

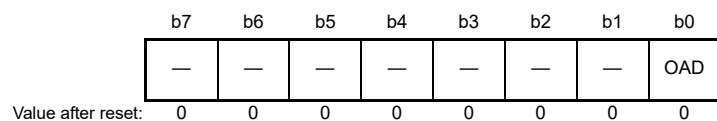
| Parameter | Specifications without ECC | Specifications with ECC |
|----------------------|----------------------------------------------|--------------------------------------------------------|
| SRAM capacity | SRAM0: 16 KB | SRAM0 (ECC area): 16 KB |
| SRAM address | SRAM0: 2000 4000h to 2000 7FFFh | SRAM0 (ECC area): 2000 0000h to 2000 3FFFh |
| Access*1 | 0 wait | |
| Module-stop function | Available | |
| Parity | Even-parity with 8-bit data and 1-bit parity | No parity |
| Error checking | Even-parity error check | 1-bit error correction and up to 2-bit error detection |

Note 1. For details, see section 43.3.7, Access Cycles.

43.2 Register Descriptions

43.2.1 SRAM Parity Error Operation After Detection Register (PARIOAD)

Address(es): SRAM.PARIOAD 4000 2000h



| Bit | Symbol | Bit name | Description | R/W |
|----------|--------|---------------------------|--------------------------------------------------------|-----|
| b0 | OAD | Operation after Detection | 1: Reset 0: Non-maskable interrupt. | R/W |
| b7 to b1 | — | Reserved | These bits are read as 0. The write value should be 0. | R/W |

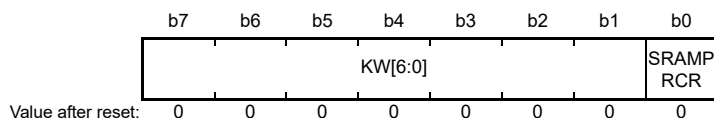
The PARIOAD register controls the operation on detection of a parity error. The SRAM Protection Register (SRAMPRCR) protects this register against writes. Set the SRAMPRCR bit in the SRAMPRCR register to enabled before writing to this register. Do not write to the PARIOAD register while accessing the SRAM.

OAD bit (Operation after Detection)

The OAD bit specifies the generation of either a reset or a non-maskable interrupt when a parity error is detected. The OAD bit is used for SRAM0 (without ECC).

43.2.2 SRAM Protection Register (SRAMPRCR)

Address(es): SRAM.SRAMPRCR 4000 2004h



| Bit | Symbol | Bit name | Description | R/W |
|----------|-----------|------------------------|--------------------------------------------------------------------------------------|-----|
| b0 | SRAMP RCR | Register Write Control | 0: Disable writes to protected registers 1: Enable writes to protected registers. | R/W |
| b7 to b1 | KW[6:0] | Write Key Code | These bits enable or disable writing to the SRAMP RCR bit | R/W |

SRAMP RCR bit (Register Write Control)

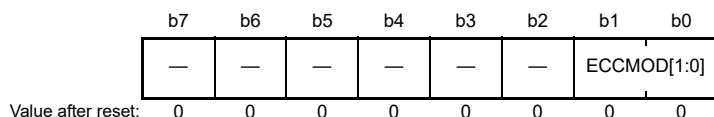
The SRAMP RCR bit controls the write mode of the PARLOAD register. When this bit is set to 1, writing to the PARLOAD register is enabled. When you write to this bit, write 78h to the KW[6:0] bits simultaneously.

KW[6:0] bits (Write Key Code)

The KW[6:0] bits enable or disable writes to the SRAMP RCR bit. When you write to the SRAMP RCR bit, write 78h to the KW[6:0] bits simultaneously. When a value other than 78h is written to KW[6:0], the SRAMP RCR bit is not updated. The KW[6:0] bits are always read as 00h.

43.2.3 ECC Operating Mode Control Register (ECCMODE)

Address(es): SRAM.ECCMODE 4000 20C0h



| Bit | Symbol | Bit name | Description | R/W |
|----------|-------------|---------------------------|-------------------------------------------------------------------------------------------------------------------------------------------------------------------|-----|
| b1, b0 | ECCMOD[1:0] | ECC Operating Mode Select | b1 b0 0 0: Disable ECC function 0 1: Setting prohibited 1 0: Enable ECC function without error checking 1 1: Enable ECC function with error checking. | R/W |
| b7 to b2 | — | Reserved | These bits are read as 0. The write value should be 0. | R/W |

The ECCMODE register specifies the ECC operating mode. The ECC Protection Register (ECCPRCR) protects this register against writing. Before writing to this register, set the ECCPRCR bit in the ECCPRCR register to 1. Do not write to the ECCMODE register while access to the SRAM is in progress.

ECCMOD[1:0] bits (ECC Operating Mode Select)

The ECCMOD[1:0] bits set the access mode to the ECC area in SRAM.

43.2.4 ECC 2-Bit Error Status Register (ECC2STS)

Address(es): SRAM.ECC2STS 4000 20C1h

| | | | | | | | |
|----|----|----|----|----|----|----|---------|
| b7 | b6 | b5 | b4 | b3 | b2 | b1 | b0 |
| — | — | — | — | — | — | — | ECC2ERR |
| 0 | 0 | 0 | 0 | 0 | 0 | 0 | 0 |

Value after reset:

| Bit | Symbol | Bit name | Description | R/W |
|----------|---------|------------------------|----------------------------------------------------------------|---------|
| b0 | ECC2ERR | ECC 2-Bit Error Status | 0: No 2-bit ECC error occurred 1: 2-bit ECC error occurred. | R/(W)*1 |
| b7 to b1 | — | Reserved | These bits are read as 0. The write value should be 0. | R/W |

Note 1. Only 0 can be written to clear the bit.

ECC2ERR bit (ECC 2-Bit Error Status)

The ECC2ERR bit indicates whether a 2-bit ECC error occurred in the ECC area of the SRAM. When a 2-bit error is detected while ECC operations are enabled and error checking is selected, the ECC2ERR bit is set to 1. The SRAM error signal is also asserted at this time. The 2-bit ECC error can be cleared by writing 0 to the ECC2ERR bit. The SRAM error can be specified as a non-maskable interrupt or a reset in the ECCOAD register. Do not access the ECC area in the SRAM while writing 0 to this register.

43.2.5 ECC 1-Bit Error Information Update Enable Register (ECC1STSEN)

Address(es): SRAM.ECC1STSEN 4000 20C2h

| | | | | | | | |
|----|----|----|----|----|----|----|---------|
| b7 | b6 | b5 | b4 | b3 | b2 | b1 | b0 |
| — | — | — | — | — | — | — | E1STSEN |
| 0 | 0 | 0 | 0 | 0 | 0 | 0 | 0 |

Value after reset:

| Bit | Symbol | Bit name | Description | R/W |
|----------|---------|-------------------------------------------|----------------------------------------------------------------------------------------------------------|-----|
| b0 | E1STSEN | ECC 1-Bit Error Information Update Enable | 0: Disable updating of 1-bit ECC error information 1: Enable updating of 1-bit ECC error information. | R/W |
| b7 to b1 | — | Reserved | These bits are read as 0. The write value should be 0. | R/W |

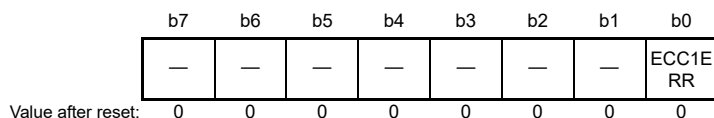
The ECC1STSEN register enables or disables updating of the ECC 1-Bit Error Status Register (ECC1STS) in response to a 1-bit ECC error in the SRAM (ECC area). The ECC Protection Register (ECCPRCR) protects this register against writing. Before writing to this bit, set the ECCPRCR bit in the ECCPRCR register to 1 to disable write protection.

E1STSEN bit (ECC 1-Bit Error Information Update Enable)

The E1STSEN bit enables or disables updating of the SRAM (ECC area) 1-Bit Error Status Register (ECC1STS) in response to a 1-bit error in the ECC area of SRAM. This register also functions as an interrupt or reset mask.

43.2.6 ECC 1-Bit Error Status Register (ECC1STS)

Address(es): SRAM.ECC1STS 4000 20C3h



| Bit | Symbol | Bit name | Description | R/W |
|----------|---------|------------------------|----------------------------------------------------------------|---------|
| b0 | ECC1ERR | ECC 1-Bit Error Status | 0: No 1-bit ECC error occurred 1: 1-bit ECC error occurred. | R/(W)*1 |
| b7 to b1 | — | Reserved | These bits are read as 0. The write value should be 0. | R/W |

Note 1. Only 0 can be written to clear the bit.

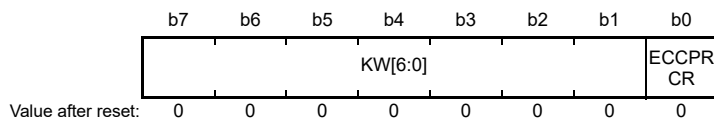
ECC1ERR bit (ECC 1-Bit Error Status)

The ECC1ERR bit indicates whether a 1-bit ECC error occurred in the ECC area of the SRAM. When ECC operations are enabled and error correction is selected, and updating of the 1-bit error information is enabled, this bit is set to 1 if a 1-bit error is detected. The SRAM error signal is also asserted at this time. The 1-bit ECC error can be cleared by writing 0 to the ECC1ERR bit.

The SRAM error can be specified as a non-maskable interrupt or a reset in the ECCOAD register. Do not access the ECC area in the SRAM while writing 0 to this register.

43.2.7 ECC Protection Register (ECCPRCR)

Address(es): SRAM.ECCPRCR 4000 20C4h



| Bit | Symbol | Bit name | Description | R/W |
|----------|---------|------------------------|--------------------------------------------------------------------------------------|-----|
| b0 | ECCPRCR | Register Write Control | 0: Disable writes to protected registers 1: Enable writes to protected registers. | R/W |
| b7 to b1 | KW[6:0] | Write Key Code | These bits enable or disable writes to the ECCPRCR bit. | R/W |

ECCPRCR bit (Register Write Control)

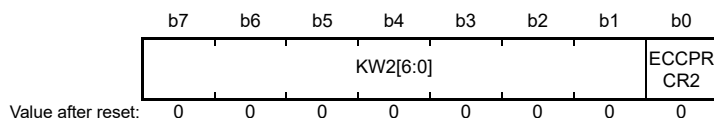
The ECCPRCR bit controls the write mode of the ECCMODE, ECC1STSSEN, and ECCOAD registers. When this bit is set to 1, writing to the ECCMODE, ECC1STSSEN, and ECCOAD registers is enabled. When writing to this bit, write 78h to the KW[6:0] bits simultaneously.

KW[6:0] bits (Write Key Code)

The KW[6:0] bits enable or disable writes to the ECCPRCR bit. When writing to the ECCPRCR bit, write 78h to the KW[6:0] bits simultaneously. When a value other than 78h is written to KW[6:0], the ECCPRCR bit is not updated. The KW[6:0] bits are always read as 00h.

43.2.8 ECC Protection Register 2 (ECCPRCR2)

Address(es): SRAM.ECCPRCR2 4000 20D0h



| Bit | Symbol | Bit name | Description | R/W |
|----------|----------|------------------------|----------------------------------------------------------------------------------------------|-----|
| b0 | ECCPRCR2 | Register Write Control | 0: Disable writes to the protected registers 1: Enable writes to the protected registers. | R/W |
| b7 to b1 | KW2[6:0] | Write Key Code | These bits enable or disable writes to the ECCPRCR2 bit. | R/W |

ECCPRCR2 bit (Register Write Control)

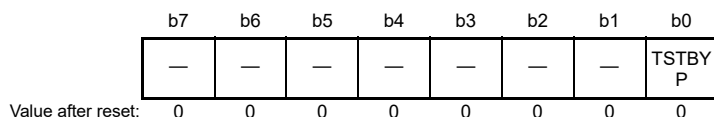
The ECCPRCR2 bit controls the write mode of the ECCETST register. When the ECCPRCR2 bit is set to 1, writes to the ECCETST register is enabled. When writing to this bit, write 78h to the KW2[6:0] bits simultaneously.

KW2[6:0] bits (Write Key Code)

The KW2[6:0] bits enable or disable writing to the ECCPRCR2 bit. When writing to the ECCPRCR2 bit, write 78h to KW2[6:0] simultaneously. When a value other than 78h is written to KW2[6:0], the ECCPRCR2 bit is not updated. The KW2[6:0] bits are always read as 00h.

43.2.9 ECC Test Control Register (ECCETST)

Address(es): SRAM.ECCETST 4000 20D4h



| Bit | Symbol | Bit Name | Description | R/W |
|----------|--------|-------------------|--------------------------------------------------------|-----|
| b0 | TSTBYP | ECC Bypass Select | 0: Disable ECC bypass 1: Enable ECC bypass. | R/W |
| b7 to b1 | — | Reserved | These bits are read as 0. The write value should be 0. | R/W |

The ECC Protection Register 2 (ECCPRCR2) protects this register against writes. Before writing to this bit, set the ECCPRCR2 bit in the ECCPRCR2 register to 1 (write protection disabled). Do not write to the ECCETST register while access to SRAM is in progress.

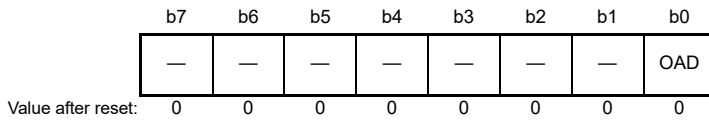
TSTBYP bit (ECC Bypass Select)

The TSTBYP bit enables direct access to the ECC code by bypassing the ECC function. When the ECC bypass function is used, the ECCMOD[1:0] bits in the ECCMODE register are set to 00b. The ECC must be accessed in 32 bits using the same address for 32-bit data. The ECC code is assigned to the lower 7 bits of the 32-bit data. The upper 25 bits in the write data are ignored. The upper 25 bits in the read data are undefined.

Note: For details on the ECC test, see [section 43.3.4, ECC Decoder Testing](#).

43.2.10 SRAM ECC Error Operation After Detection Register (ECCOAD)

Address(es): [SRAM.ECCOAD 4000 20D8h](#)



| Bit | Symbol | Bit name | Description | R/W |
|----------|---------------------|---------------------------|--------------------------------------------------------|-----|
| b0 | OAD | Operation after Detection | 1: Reset 0: Non-maskable interrupt. | R/W |
| b7 to b1 | — | Reserved | These bits are read as 0. The write value should be 0. | R/W |

The ECC Protection Register (ECCPRCR) protects this register against writes. Before writing to this bit, set the ECCPRCR bit in the ECCPRCR register to 1 (write protection disabled). Do not write to the ECCOAD register while access to the SRAM is in progress.

OAD bit (Operation after Detection)

The OAD bit selects whether to generate a reset or a non-maskable interrupt when an ECC error is detected. The OAD bit in the ECCOAD register is used for SRAM (ECC area).

43.3 Operation

43.3.1 Low Power Consumption Function

Power consumption can be reduced by setting the Module Stop Control Register A (MSTPCRA) to stop the supply of the clock signal to the SRAM. When both the MSTPA0 and the MSTPA6 bits in MSTPCRA are set to 1, supply of the clock signal to SRAM0 is stopped*1.

Stopping the clock signal supply places the SRAM in the module-stop state. The SRAM is not accessible in the module-stop state. Do not transition to the module-stop state while access to the SRAM is in progress. Access to the SRAM in the module-stop state is prohibited. If access is attempted, correct operation is not guaranteed.

For details on the MSTPCRA register, see [section 10, Low Power Modes](#).

Note 1. The MSTPA0 and MSTPA6 bits in the MSTPCRA register must be set to the same value.

43.3.2 ECC Function

You can enable or disable the ECC function by setting the ECCMODE register. By default, the ECC function is disabled and the ECC check type is SEC-DED (Single-Error Correction and Double-Error Detection).

When the ECC function is enabled, 7-bit check bits are appended to the 32-bit data for writes. For reads, 39-bit data (32-bit data and 7-bit check bits) is read from the SRAM (ECC area).

When the ECC function and error checking are both enabled, error correction is performed if a 1-bit error occurs, and the ECC1ERR bit in the ECC1STS register is set to 1 if the E1STSEN bit in the ECC1STSEN register is 1. If a 2-bit error occurs, the error is detected without error correction, and the ECC2ERR bit in the ECC2STS register is set to 1.

When the ECC function is enabled and the error checking is disabled, error correction is performed if a 1-bit error occurs but the ECC1ERR bit in the ECC1STS register is not updated even if the E1STSEN bit in the ECC1STSEN register is 1. If a 2-bit error occurs, this error is detected but the ECC2ERR bit in the ECC2STS register is not updated, and error correction is not performed.

When the ECC function is disabled, neither error correction nor error detection is performed even when a 1-bit or 2-bit error occurs. Therefore, the ECC1ERR or ECC2ERR bit is not updated.

It is not possible to confirm the location where the error is detected. Therefore, after an error occurs, update all the data by writing 32-bit data to the SRAM.

When a read access is performed consecutively after a write access, the read access has priority. Therefore, during initialization, do not perform the read access successively after a write access.

43.3.3 ECC Error Generation

When the ECC function is enabled and error checking is applied to the SRAM (ECC area), an ECC error occurs when either the ECC2ERR bit in the ECC2STS register or the ECC1ERR bit in the ECC1STS register becomes 1, to indicate that the ECC checking revealed a 2-bit error or a 1-bit error, respectively.

To mask ECC 1-bit errors, set the ECC1STSEN.E1STSEN bit to 0 to disable updating of the ECC1ERR bit. An ECC error is not generated when the ECC function is disabled or enabled but the error checking is not selected.

An ECC error can be a non-maskable interrupt or a reset, as selected in the ECCOAD register. When the OAD bit in the ECCOAD register is set to 1, an ECC error is output to the reset function. When the OAD bit in the ECCOAD register is set to 0, an ECC error is output to the ICU as a non-maskable interrupt.

43.3.4 ECC Decoder Testing

[Figure 43.1](#) shows the ECC decoder testing.

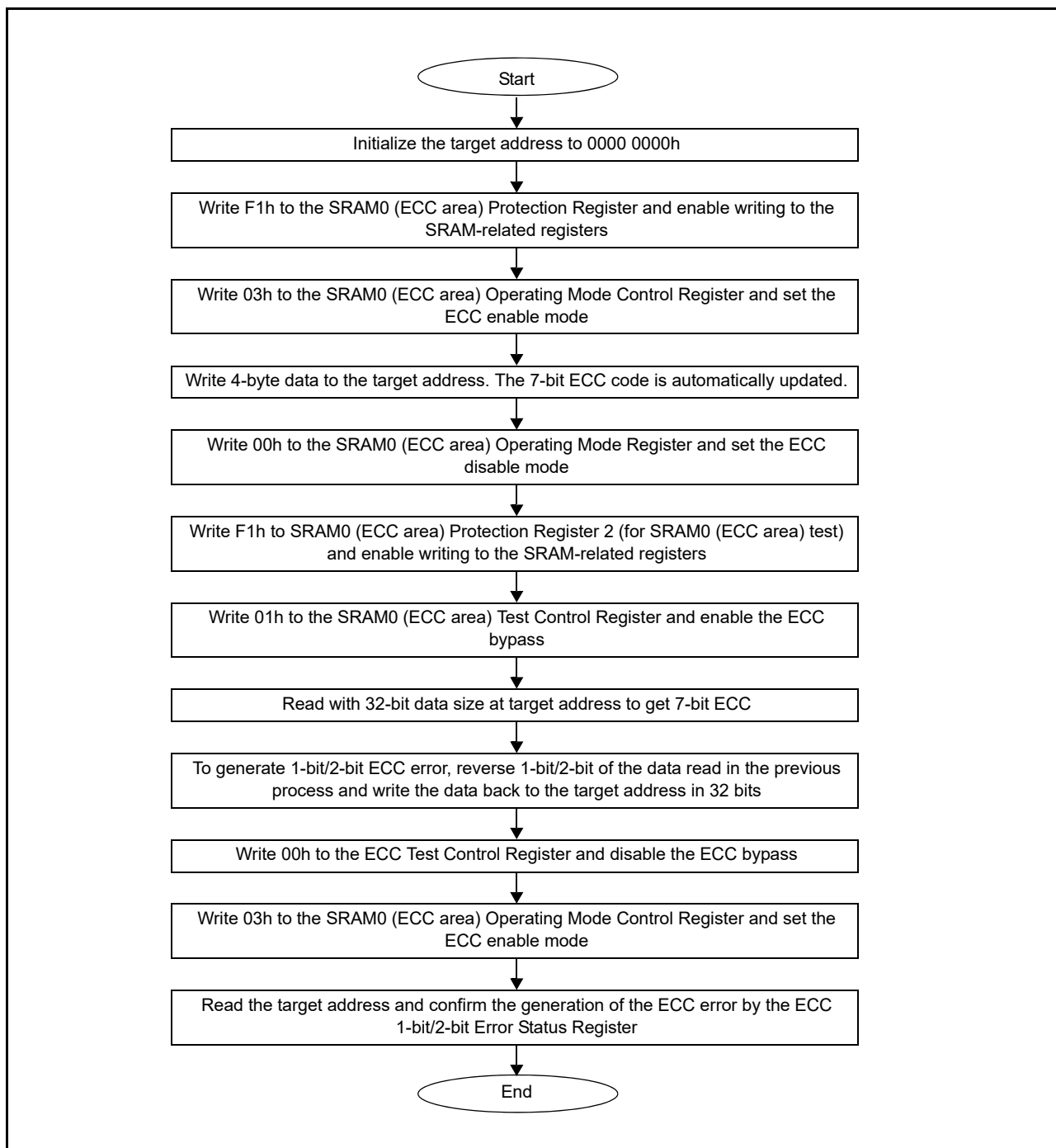


Figure 43.1 ECC decoder testing

43.3.5 Parity Calculation Function

The IEC60730 standard requires the checking of SRAM data. When data is written, a parity bit is added to every 8-bit data in the SRAM which has 32-bit data width, and when data is read, the parity is checked. When a parity error occurs, a parity-error notification is generated. This function can also be used to trigger a reset. The specification of SRAM0 without ECC is even parity.

Parity error notification can be specified as a non-maskable interrupt or a reset in the OAD bit in the PARIOAD register. When the OAD bit in the PARIOAD register is set to 1, a parity error is output to the reset function. When the OAD bit is set to 0, a parity error is output to the ICU as a non-maskable interrupt.

Parity errors often occur because of noise. To confirm whether the cause of the parity error is noise or corruption, see the

parity check flows shown in Figure 43.2 and Figure 43.3.

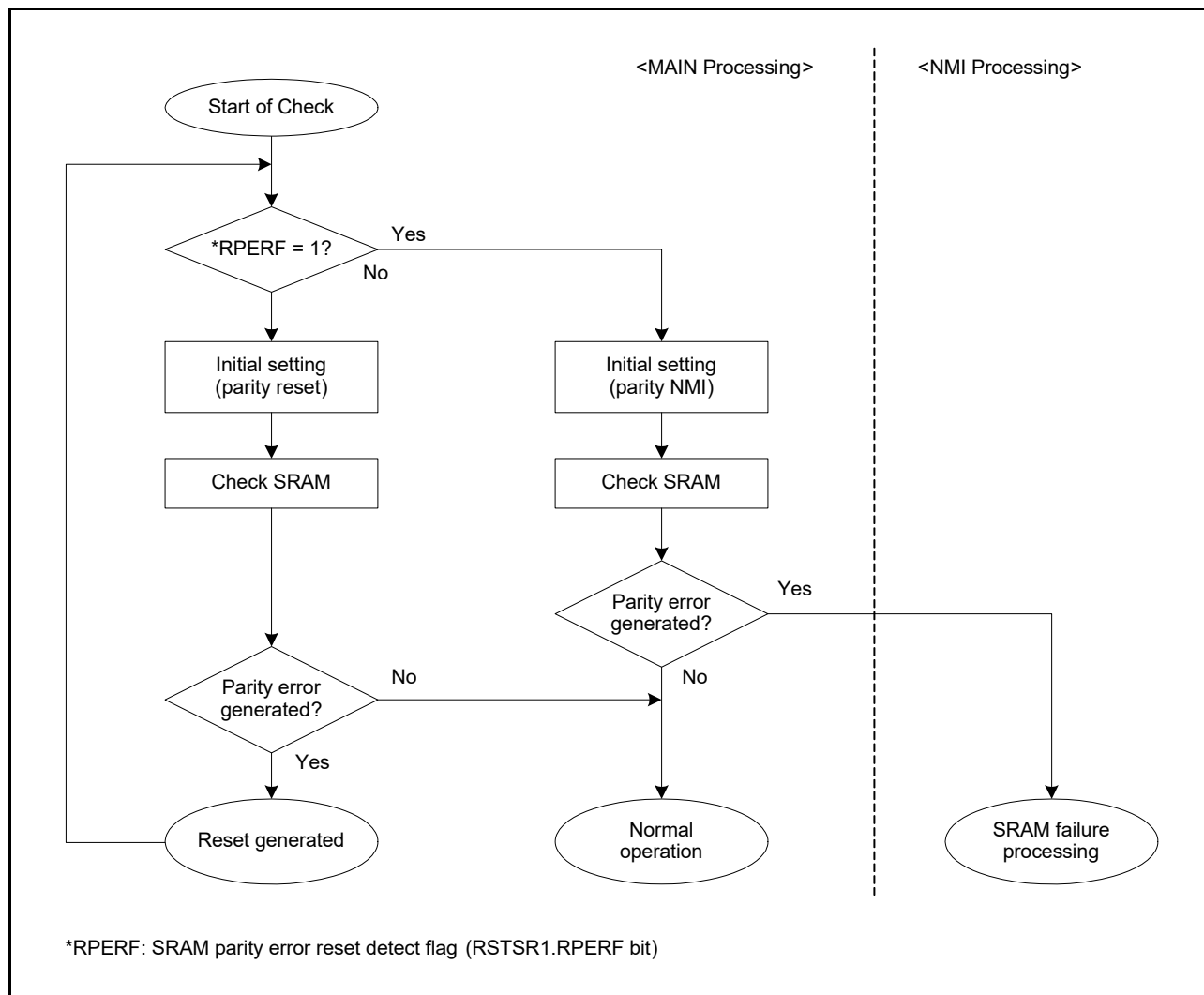


Figure 43.2 Flow of SRAM parity check when SRAM parity reset is enabled

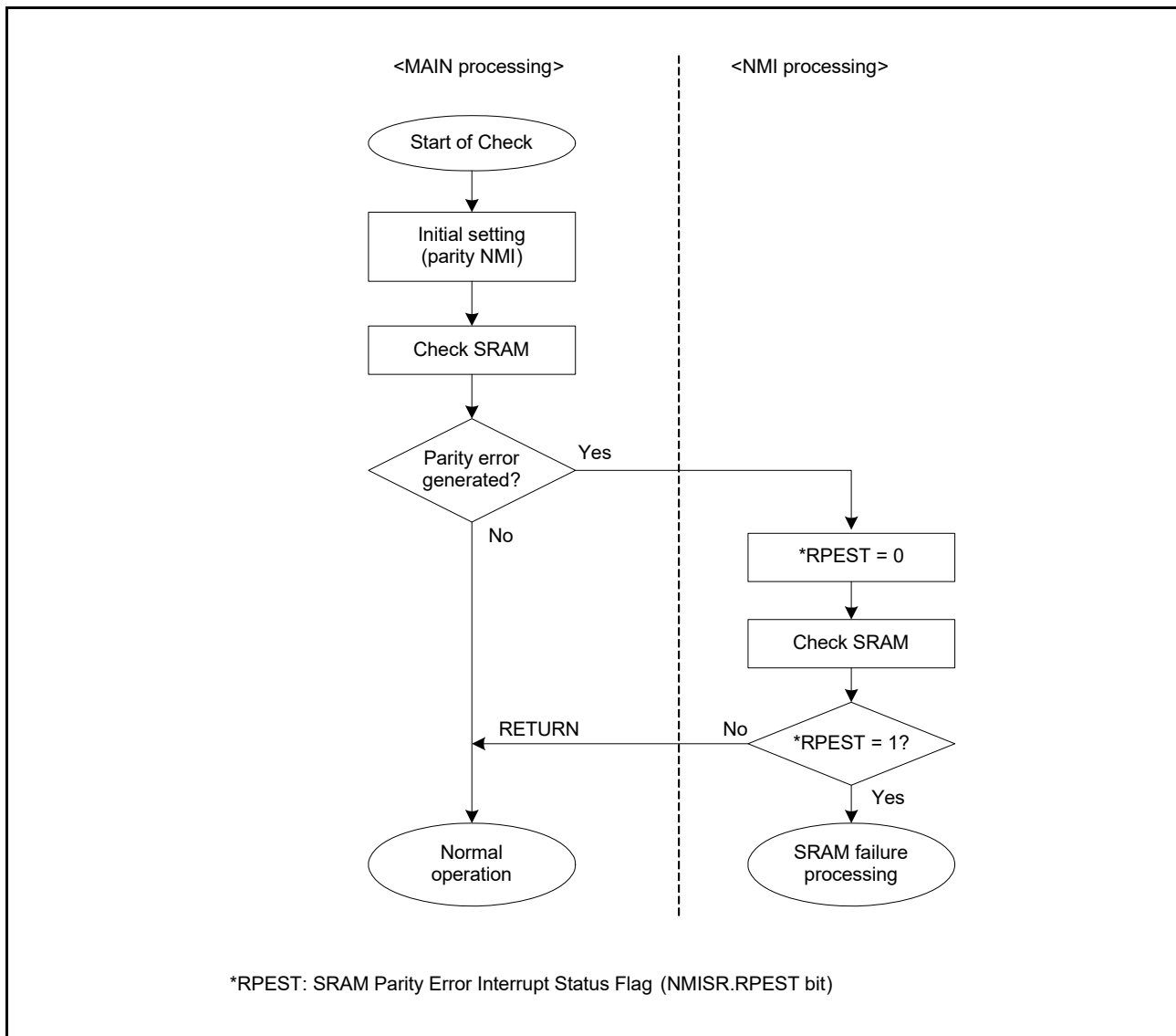


Figure 43.3 Flow of SRAM parity check when SRAM parity interrupt is enabled

43.3.6 SRAM Error Sources

An SRAM error is due to either an ECC error or a parity error. ECC error can be specified as non-maskable interrupt or reset in the OAD bit in the ECCOAD register, and a parity error can be specified as non-maskable interrupt or reset in the PARIOAD register.

Table 43.2 SRAM error sources

| Error source | DTC activation | DMAC activation |
|---------------------------------------|----------------|-----------------|
| ECC error (SRAM0 area with ECC) | Not possible | Not possible |
| Parity error (SRAM0 area without ECC) | Not possible | Not possible |

43.3.7 Access Cycles

Table 43.3 SRAM0 (ECC area 2000 0000h to 2000 3FFFh)

| Bit setting | Read (cycle) | | Write (cycle) | |
|--------------------------|--------------|----------------------|---------------|----------------------|
| | Word access | Halfword/Byte access | Word access | Halfword/Byte access |
| ECC Off ECCMOD[1] = 0 | 2 | | 2 | |
| ECC On ECCMOD[1] = 1 | 2 | | 2 | 4 |

Table 43.4 SRAM0 (parity area 2000 4000h to 2000 7FFFh)

| Read (cycle) | | Write (cycle) | |
|--------------|----------------------|---------------|----------------------|
| Word Access | Halfword/Byte access | Word access | Halfword/Byte access |
| 2 | | 2 | |

43.4 Usage Notes

43.4.1 Instruction Fetch from SRAM Area

When using SRAM0 to operate a program, initialize the SRAM area so that the CPU can correctly prefetch data. If the CPU prefetches data from an SRAM area that is not initialized, an ECC error or a parity error might occur. Initialize the additional 12-byte area from the end address of a program with a 4-byte boundary.

43.4.2 SRAM Store Buffer

For fast access between SRAM and CPU, a store buffer is used. When a load instruction is executed from the same address after a store instruction to the SRAM, the load instruction might read data from the buffer instead from the SRAM. To read data on the SRAM correctly, use either of the following procedures:

- After writing to the SRAM (address = A), use the NOP instruction, then read the SRAM (address = A)
- After writing to the SRAM (address = A), read data from an area other than SRAM (address = A), then read the SRAM (address = A).

44. Flash Memory

44.1 Overview

The MCU provides up to 256-KB code flash memory and 8-KB data flash memory. The Flash Control Block (FCB) controls the flash memory programming commands. This product uses SuperFlash® technology licensed from Silicon Storage Technology, Inc.

Table 44.1 lists the specifications of the code flash memory and data flash memory, and Figure 44.1 shows the block diagram of the related modules. Figure 44.2 shows the configuration of the code flash memory, and Figure 44.3 shows the configuration of the data flash memory.

Table 44.1 Specifications of the code flash memory and data flash memory

| Parameter | Code flash memory | Data flash memory |
|-----------------------------------|--------------------------------------------------------------------------------------------------------------------------------------------------------------------------------------------------------------------------------------------------------------------------------------------------------------------------------------------------------------------------------------------------------------------------------------------------------------------------------------------------------------------------------------------------------------------------------------------------------------------------------------------------------------------------------------------------------------------------------------------------------------------------------------------------|------------------------------------------------------------------------------------------------------------------------------------------|
| Memory capacity | 256 KB of user area | 8 KB of data area |
| Read cycle | <ul style="list-style-type: none"> 32 MHz < ICLK frequency ≤ 48 MHz Cache hit: 1 cycle Cache miss: 2, 3 cycles ICLK frequency ≤ 32 MHz Cache hit: 1 cycle Cache miss: 1 cycle | A read operation takes 6 FCLK cycles in bytes (FCLK frequency ≤ 32 MHz) |
| Value after erasure | FFh | FFh |
| Programming/erasing method | <ul style="list-style-type: none"> Programming and erasing of code and data flash memory through the FCB commands specified in the registers Programming by dedicated flash-memory programmer through a serial interface (serial programming) Programming of flash memory by user program (self-programming). | |
| Security function | Protects against illicit tampering or reading of data in flash memory | |
| Protection | Protects against erroneous overwriting of flash memory | |
| Background operations (BGOs) | Code flash memory can be read during data flash memory programming | |
| Units of programming and erasure | <ul style="list-style-type: none"> 64-bit units for programming in user area 2-KB units for erasure in user area. | <ul style="list-style-type: none"> 8-bit units for programming in data area 1-KB units for erasure in data area. |
| Other functions | Interrupts accepted during self-programming An expansion area of flash memory (option bytes) can be set in the initial MCU settings | |
| On-board programming (four types) | Programming in serial programming mode (SCI boot mode): <ul style="list-style-type: none"> Asynchronous serial interface (SCI9) used Transfer rate adjusted automatically. Programming in serial programming mode (USB boot mode): <ul style="list-style-type: none"> USBFS used Dedicated hardware not required, so direct connection to a PC is possible. Programming in on-chip debug mode: <ul style="list-style-type: none"> JTAG or SWD interface used Dedicated hardware not required. Programming by a routine for code and data flash memory programming within the user program: <ul style="list-style-type: none"> Allows code and data flash memory programming without resetting the system. | |

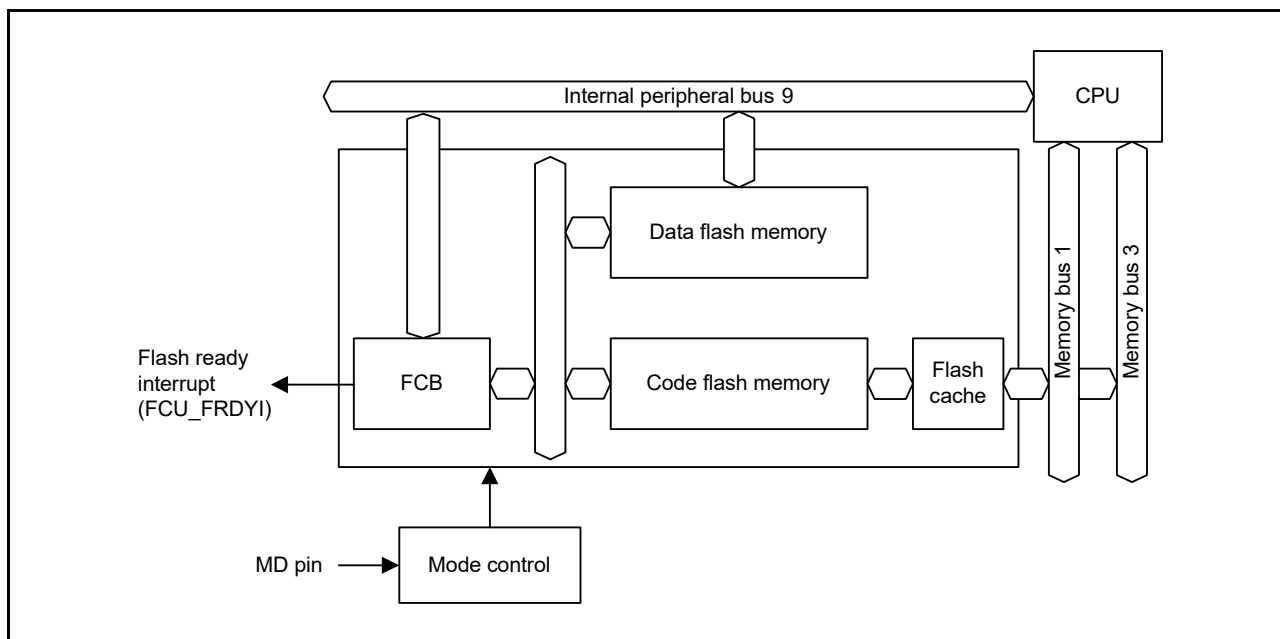


Figure 44.1 Flash memory-related modules block diagram

44.2 Memory Structure

Figure 44.2 shows the mapping of the code flash memory, and Table 44.2 shows the read and programming/erasure (P/E) addresses of the code flash memory. The user space of the code flash memory is divided into 2-KB blocks that serve as the units of erasure. The user area is available for storing the user program.

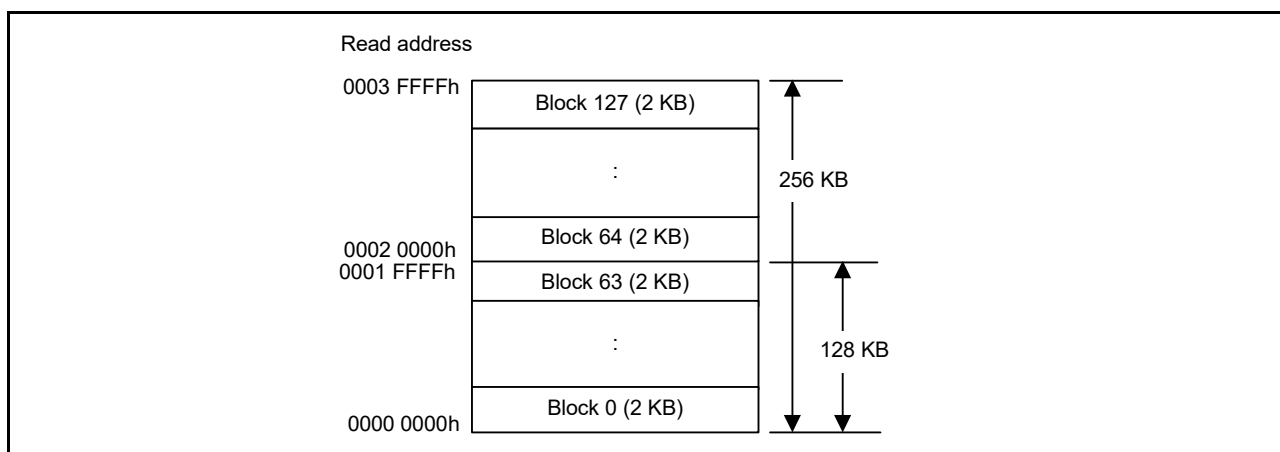


Figure 44.2 Mapping of the code flash memory

Table 44.2 Read and P/E addresses of the code flash memory

| Size of code flash memory | Read address | P/E address | Number of blocks |
|---------------------------|--------------------------|--------------------------|------------------|
| 256 KB | 0000 0000h to 0003 FFFFh | 0000 0000h to 0003 FFFFh | 0 to 127 |

The data area of the data flash memory is divided into 1-KB blocks, with each being a unit for erasure. Figure 44.3 shows the mapping of the data flash memory, and Table 44.3 shows the read, programming and erasure addresses of the data flash memory.

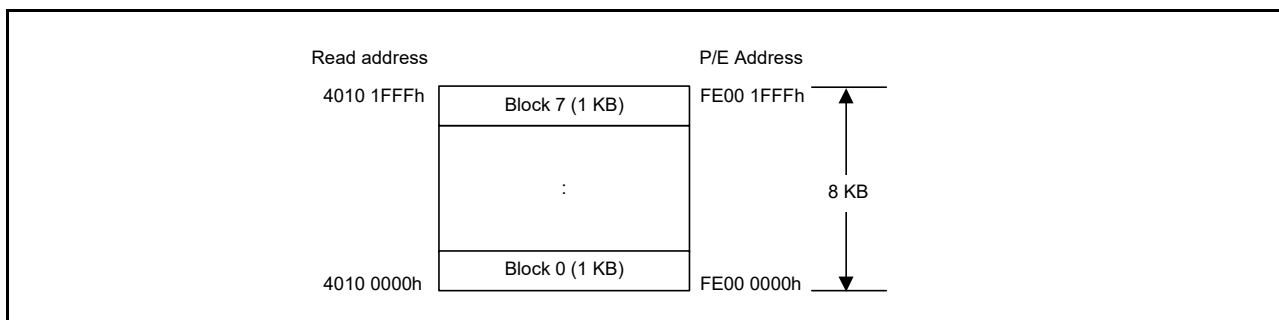


Figure 44.3 Mapping of the data flash memory

Table 44.3 Read and P/E addresses of the data flash memory

| Size of data flash memory | Read address | P/E address | Number of blocks |
|---------------------------|--------------------------|--------------------------|------------------|
| 8 KB | 4010 0000h to 4010 1FFFh | FE00 0000h to FE00 1FFFh | 0 to 7 |

44.3 Flash Cache

44.3.1 Overview

The flash cache (FCACHE) speeds up read access from the bus master to the flash memory. The FCACHE includes:

- FCACHE1, for CPU instruction fetches
- FCACHE2, for CPU operand access and DMA
- FLPF, for prefetch access of CPU instruction fetches.

Table 44.4 Flash cache overview

| Parameter | Flash cache 1 (FCACHE1) | Flash cache 2 (FCACHE2) | Prefetch buffer (FLPF) |
|---------------------|---------------------------------------------------------------------------------------------------------------------------------------------|----------------------------------------------------------------------------------------------------------------------------------|------------------------------------------------------------------------------------------------------------------------------------------------------------------------|
| Cache target region | 0000 0000h - 007F FFFFh | 0000 0000h - 007F FFFFh | 0000 0000h - 007F FFFFh |
| Target bus master | CPU instruction fetch | CPU operand access and access from other than CPU | FLPF |
| Capacity | 128 bytes | 8 bytes | 16 bytes |
| Associativity | 2-way set associative <ul style="list-style-type: none"> • 64 bits/entry (64-bit aligned data) • 8 entries/ways. | Fully associative <ul style="list-style-type: none"> • 64 bits/entry (64-bit aligned data) • 1 entry. | - <ul style="list-style-type: none"> • 64 bits/entry (64-bit aligned data) • 2 entries • Next address of previous CPU instruction. |
| Access cycle | Cache hit: 0 waits Cache miss: According to SYSTEM.MEMWAIT register: MEMWAIT = 0: 0 wait MEMWAIT = 1: 1 or 2 waits | Cache hit: 0 wait Cache miss: According to SYSTEM.MEMWAIT register: MEMWAIT = 0: 0 wait MEMWAIT = 1: 1 or 2 waits | Cache hit: 0 wait Cache miss: According to SYSTEM.MEMWAIT register: MEMWAIT = 0: 0 wait MEMWAIT = 1: 1 or 2 waits |

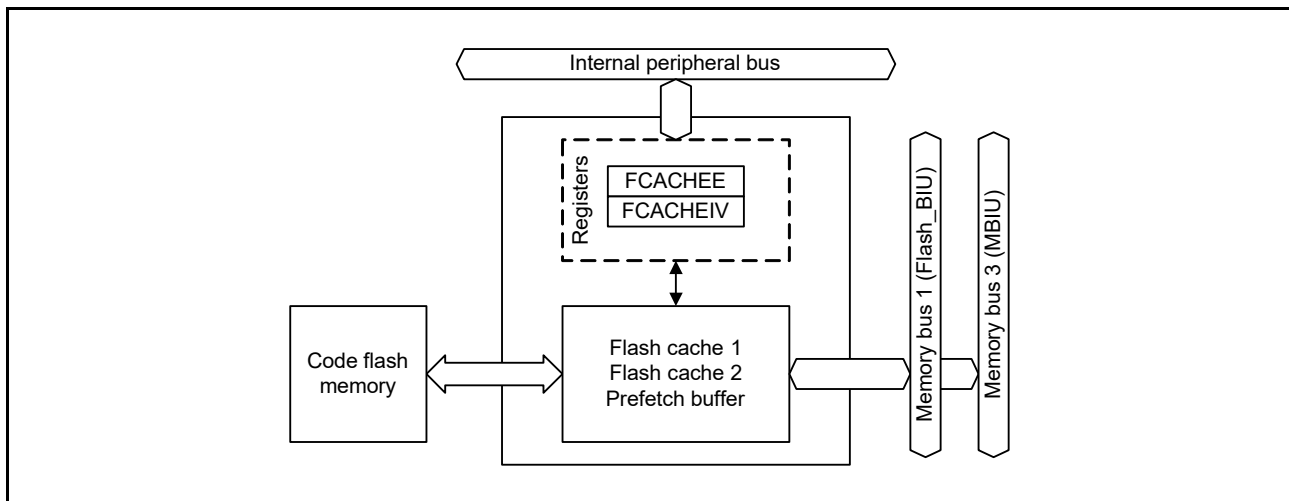
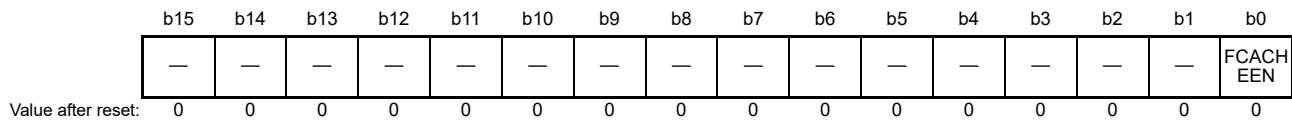


Figure 44.4 FCACHE block diagram

44.3.2 Register Descriptions

44.3.2.1 Flash Cache Enable Register (FCACHEE)

Address(es): FCACHE.FCACHEE 4001 C100h

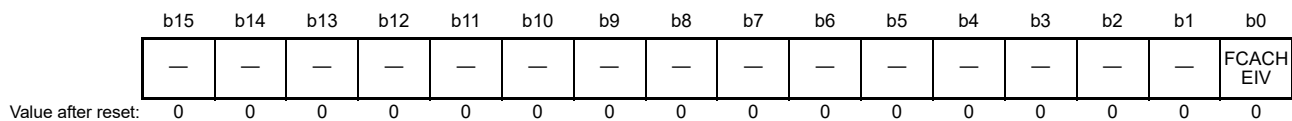


| Bit | Symbol | Bit name | Description | R/W |
|-----------|----------|---------------|--------------------------------------------------------|-----|
| b0 | FCACHEEN | FCACHE Enable | 0: Disable FCACHE 1: Enable FCACHE. | R/W |
| b15 to b1 | — | Reserved | These bits are read as 0. The write value should be 0. | R/W |

The FCACHEE.FCACHEEN bit enables or disables the flash cache function for FCACHE1, FCACHE2, and FLPF. This bit does not affect FCACHEIV.FCACHEIV. When FCACHE is enabled, the HPROT[3] bit setting determines whether it is cacheable or non-cacheable. See section 14.5, Notes on using Flash Cache.

44.3.2.2 Flash Cache Invalidate Register (FCACHEIV)

Address(es): FCACHE.FCACHEIV 4001 C104h



| Bit | Symbol | Bit name | Description | R/W |
|-----|----------|------------------------|--------------------------------------------------------------------------------------------------------------------------------------------------------------------------------------------------------------------------------------------------------------------------------------------------------------------------------------------------------------------------------------------|-----|
| b0 | FCACHEIV | Flash Cache Invalidate | <ul style="list-style-type: none"> Reads: <ul style="list-style-type: none"> 0: Do not invalidate 1: Invalidate. Writes: <ul style="list-style-type: none"> When the write value is 1, FCACHE is invalidated. When the write value is 0, this setting is ignored. | R/W |

| Bit | Symbol | Bit name | Description | R/W |
|-----------|--------|----------|--------------------------------------------------------|-----|
| b15 to b1 | — | Reserved | These bits are read as 0. The write value should be 0. | R/W |

When 1 is written to the FCACHEIV.FCACHEIV bit, flash cache data in FCACHE1, FCACHE2, and FLPF is invalidated.

44.4 Operation

Use the FCACHEE register to set up and enable flash operation. To set up the flash cache and prepare to rewrite the flash memory:

1. Disable the flash cache by resetting FCACHEE.FCACHEEN.*1
2. Set the MEMWAIT.MEMWAIT bit as required for the ICLK frequency and power control mode set in the OPCCR and SOPCCR registers.
3. Invalidate the flash cache by setting FCACHEIV.FCACHEIV.
4. Check that FCACHEIV.FCACHEIV is 0.
5. Enable the flash cache by setting FCACHEE.FCACHEEN.

Note: Do not change the operation mode (read mode, wait mode) when the flash cache is enabled.

Note 1. It is not necessary to disable the flash cache on the first setup after reset.

44.4.1 Notice to use Flash Cache

When using flash cache by access from the CPU, Arm® MPU should also be set to be cacheable.

See the ARM®v7-M Architecture Reference Manual and the ARM® Cortex®-M4 Devices Generic User Guide.

44.5 Operating Modes Associated with the Flash Memory

Figure 44.5 shows a diagram of the mode transitions associated with the flash memory. For information on setting up the modes, see section 3, Operating Modes.

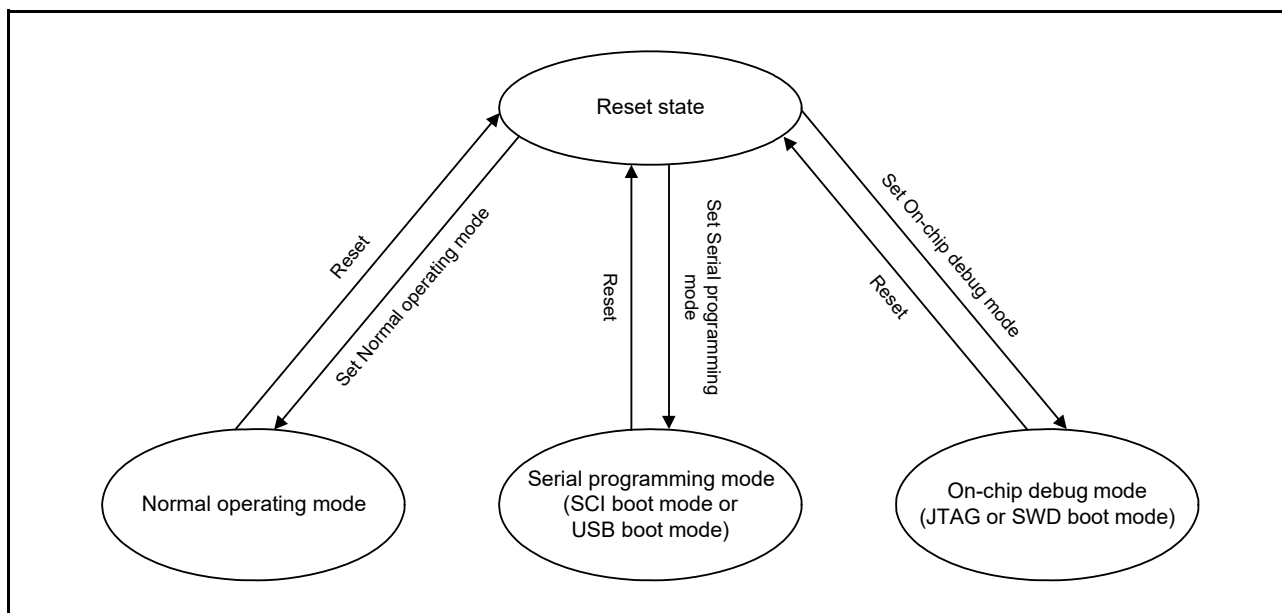


Figure 44.5 Mode transitions associated with flash memory

The flash memory areas where programming and erasure are permitted, and where the boot program executes at a reset, differ with mode. Table 44.5 shows the differences between the modes.

Table 44.5 Difference between modes

| Parameter | Normal operating mode | Serial programming mode (SCI or USB boot mode) | On-chip debug mode (JTAG or SWD boot mode) |
|---------------------------------|-------------------------------------------------------------------------------------------------|-------------------------------------------------------------------------------------------------|-------------------------------------------------------------------------------------------------|
| Programmable and erasable areas | <ul style="list-style-type: none"> Code flash memory Data flash memory. | <ul style="list-style-type: none"> Code flash memory Data flash memory. | <ul style="list-style-type: none"> Code flash memory Data flash memory. |
| Erasure in block units | Possible | Possible | Possible |
| Boot program at a reset | User area program | Embedded program for serial programming | Depends on debug command |

44.5.1 ID Code Protection

The ID code protection function prohibits programming and on-chip debugging. When ID code protection is enabled, the device validates or invalidates the ID code sent from the host by comparing it with the ID code stored in the flash memory. Programming and on-chip debugging are enabled only when the two match.

The ID code in flash memory consists of four 32-bit words. ID code bits [127] and [126] determine whether ID code protection is enabled and the method of authentication to use with the host. [Table 44.6](#) shows how the ID code determines the authentication method.

Table 44.6 Specifications for ID code protection

| Operating mode on boot up | ID code | State of protection | Operations on connection with the programmer or on-chip debugger |
|---------------------------------------------|---------------------------------------------------------------------------|---------------------|--------------------------------------------------------------------------------------------------------------------------------------------------------------------------------------------------------------------------------------------------------------------------------------------------------------------------------------------------------------------------------------------------------------------------------------------------------------------------------------------------------|
| Serial programming mode (SCI/USB boot mode) | FFh, ..., FFh (All bytes are FFh) | Protection disabled | ID code validation is not performed, the ID code always matches, and connection to the programmer or the on-chip debugger is permitted. |
| On-chip debug mode (JTAG/SWD boot mode) | Bit [127] = 1, bit [126] = 1, and at least one of all 16 bytes is not FFh | Protection enabled | Matching ID code: Authentication ends and connection with the programmer or the on-chip debugger is permitted. Mismatching ID code: Additional transition to the ID code protection waiting state. When the ID code sent from the programmer or the on-chip debugger is ALeRASE in ASCII code (414C_6552_4153_45FF_FFFF_FFFF_FFFF_FFFFh), the content in the user flash (code and data) area and configuration area are erased. However, forced erasure is not performed when the FSPR bit is 0. |
| | Bit [127] = 1 and bit [126] = 0 | Protection enabled | Matching ID code: Authentication ends and connection with the programmer or the on-chip debugger is permitted. Mismatching ID code: Additional transition to the ID code protection waiting state. |
| | Bit [127] = 0 | Protection enabled | ID code validation is not performed, the ID code is always mismatching, and connection to the programmer or the on-chip debugger is prohibited. |

44.6 Overview of Functions

By using a dedicated flash-memory programmer to program the on-chip flash memory through a serial interface (serial programming mode) or JTAG/SWD interface (on-chip debug mode), the device can be programmed before or after it is mounted on the target system. Additionally, security functions to prohibit over-writing of the user program are incorporated to prevent tampering by third parties.

Programming by the user program (self-programming) is available for applications that might require updating after system manufacturing or shipment. Protection features for safely overwriting the flash memory area are also provided. Additionally, interrupt processing during self-programming is supported so that the programming can proceed while

processing external communications and other functions. [Table 44.7](#) lists the programming methods and the associated operating modes.

Table 44.7 Programming methods

| Programming method | Functional overview | Operating mode |
|-------------------------|----------------------------------------------------------------------------------------------------------------------------------------------------------------------------------------------------------------------------------------------------------------------------------------------------------------------------------------------------------------------------------------|-------------------------|
| Serial programming | A dedicated flash-memory programmer connected through the SCI or USBFS interface enables on-board programming of the flash memory after the device is mounted on the target system. | Serial programming mode |
| | A dedicated flash-memory programmer connected through the SCI or USBFS interface and a dedicated programming adapter board allow off-board programming of the flash memory before it is mounted on the target system. | |
| Self-programming | A user program written to memory in advance of serial programming execution can also program the flash memory. The background operation capability makes it possible to fetch instructions or otherwise read data from code flash memory while the data flash memory is programmed. As a result, a program resident in the code flash memory is able to program the data flash memory. | Normal operating mode |
| JTAG or SWD programming | A dedicated flash-memory programmer or an on-chip debugger connected through JTAG/SWD can program the on-board flash memory after the device is mounted on the target system. | On-chip debug mode |
| | A dedicated flash-memory programmer or an on-chip debugger connected through JTAG/SWD and a dedicated programming adapter board allow off-board programming of the flash memory, before it is mounted on the target system. | |

The MCU supports programming commands for self-programming. [Table 44.8](#) lists the functions of the on-chip flash memory. Use serial programmer commands for serial programming. For self-programming, use the programming commands to read the on-chip flash memory or run the user program.

Table 44.8 Basic functions

| Function | Functional overview | Availability | |
|--------------------------|-----------------------------------------------------------------------------------------------------------------------------------------------------------------------------------------------------------------------------------------------------------------------------------|----------------------------------------------------------------------------|----------------------------------------------------------------------------|
| | | Serial programming | Self-programming |
| Blank check | Checks a specified block to ensure that writing to it has not already proceeded. Results of reading from data flash memory to which nothing is written after erasure are not guaranteed, so use blank checking to confirm that writing to memory has not proceeded after erasure. | Not supported | Supported |
| Block erasure | Erases the memory contents in the specified block | Supported | Supported |
| Programming | Writes to the specified address | Supported | Supported |
| Read | Reads data programmed in the flash memory | Supported | Not supported (read by user program is possible) |
| ID code check | Compares the ID code sent by the host with the code stored in the ROM, and if the two match, the FCB enters the wait state for programming and erasure commands from the host. | Supported | Not supported (ID authentication is not performed) |
| Security configuration | Configures the security function for serial programming | Supported with conditions (only allows switching from enabled to disabled) | Supported with conditions (only allows switching from enabled to disabled) |
| Protection configuration | Configures the access window for flash area protection in the code flash memory | Supported | Supported |

The on-chip flash memory supports the ID code security function. Authentication of ID codes is a security function for use with serial programming and with JTAG or SWD programming. [Table 44.9](#) lists the security functions supported by the on-chip flash memory, and [Table 44.10](#) lists the available operations and security settings.

Table 44.9 Security functions

| Function | Description |
|-------------------|---------------------------------------------------------------------------------------------------------------------|
| ID authentication | The result of ID authentication can be used to control the connection of a serial programmer for serial programming |

Table 44.10 Available operations and security settings

| Function | All security settings and erasure, programming, and read operations | | Constraints on the security setting configuration |
|-------------------|--------------------------------------------------------------------------------------------------------------------------------------------------------------------------------------------------------------------------------------------------------------------------------------------------------------------------------------------------------------------------------------------------------------------------------------------------------------------------------------------------------------------------------------------------------------------------------------------------------------------------|---------------------------------------------------------------------------------------------------------------------------------------------------------------------------------------------------------------------------------------------------------------------------------|---------------------------------------------------|
| | Serial programming and on-chip debug mode | Self-programming mode | Self-programming mode |
| ID authentication | When ID codes do not match: <ul style="list-style-type: none"> Block erasure commands: not supported Programming commands: not supported Read commands: not supported Security configuration commands: not supported Protection configuration commands: not supported. When ID codes match: <ul style="list-style-type: none"> Block erasure commands: supported Programming commands: supported Read commands: supported Security configuration commands: supported Protection configuration commands: supported. | <ul style="list-style-type: none"> ID authentication is not performed Blank check: supported Block erasure: supported Programming: supported Security configuration: supported Protection configuration: supported. | ID authentication is not performed |

44.6.1 Configuration Area Bit Map

The bits used for ID authentication, startup area select, access window protection, and security configuration functions are mapped in [Figure 44.6](#). The boot program must use these bits as hexadecimal data.

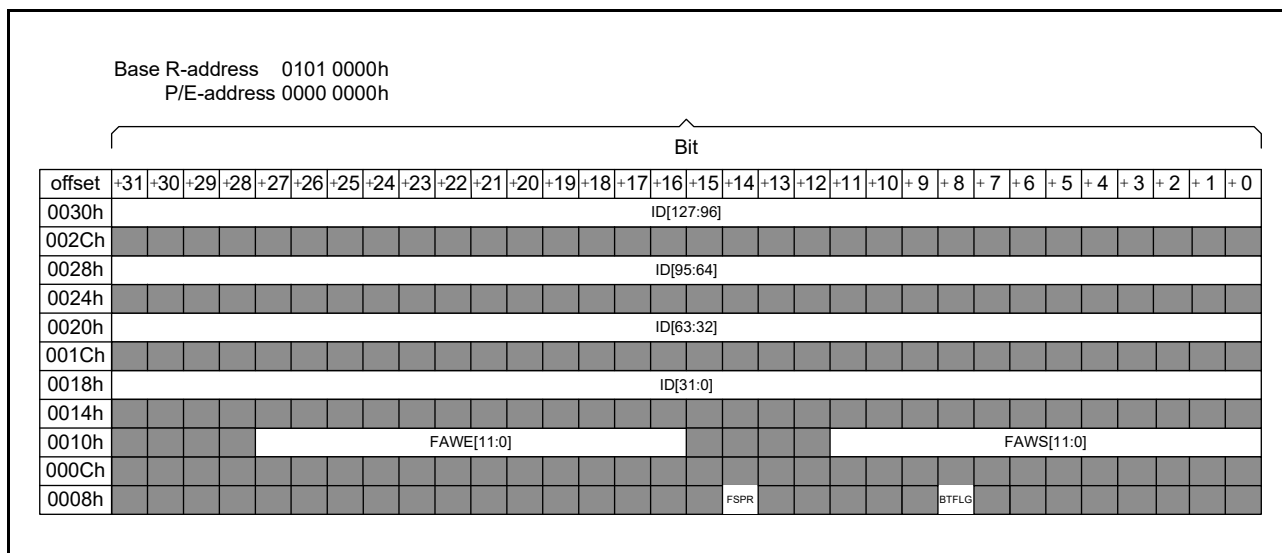


Figure 44.6 Configuration area bit map

44.6.2 Startup Area Select

The startup area select function allows the boot program to be safely updated. The startup area is 8 KB of space located in the user area. The FCB controls the startup area address based on the Startup Area Select Flag (BTFLG) that is located in the AWSC register. The startup area can be locked by the FSPR bit.

Figure 44.7 shows an overview of the startup program protection.

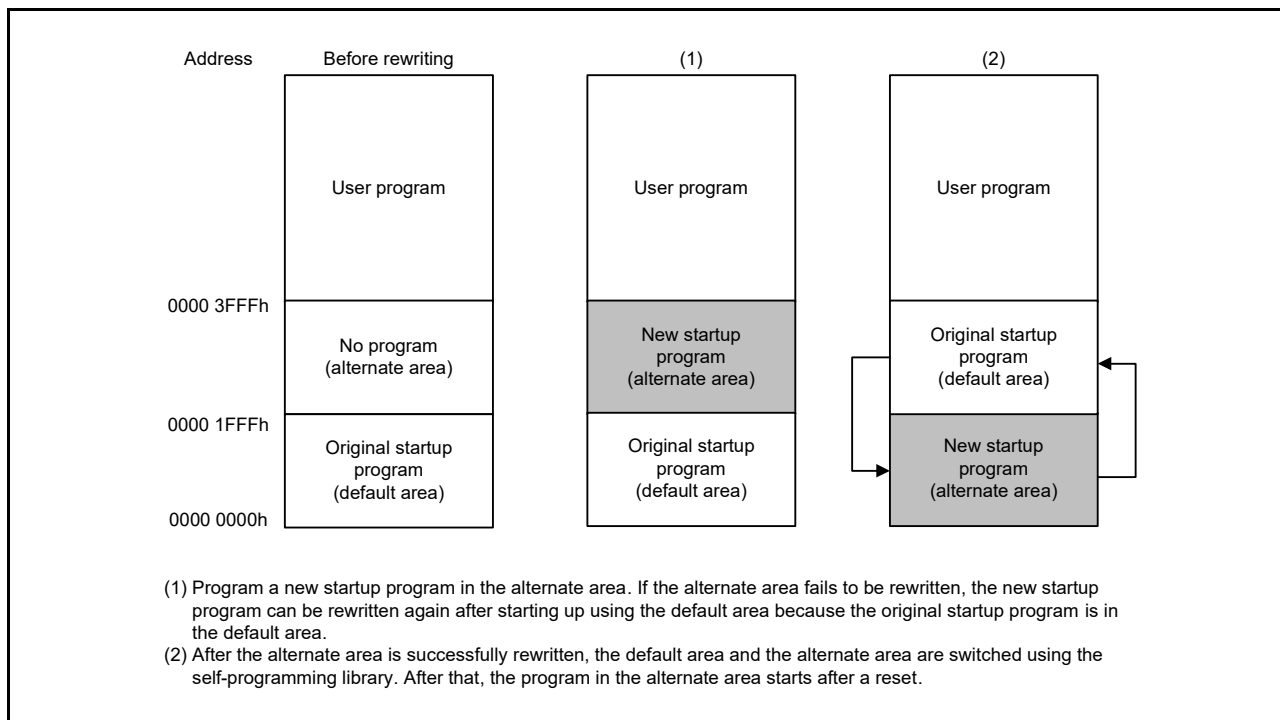


Figure 44.7 Overview of startup program protection

44.6.3 Protection by Access Window

Issuing the program or block erase command to a flash memory area outside of the access window results in the command-locked state. The access window is only valid in the user area of the code flash memory. The access window provides protection in self-programming mode, serial programming mode, and on-chip debug mode. Figure 44.8 shows the flash area protection.

The access window is specified in both the FAWS[11:0] and FAWE[11:0] bits. Setting of the FAWS[11:0] and the FAWE[11:0] bits in different conditions is described as follows:

- FAWE[11:0] = FAWS[11:0]: The P/E command can execute anywhere in the user area of the code flash memory
- FAWE[11:0] > FAWS[11:0]: The P/E command can only execute in the window from the block pointed to by the FAWS[11:0] bits to one block lower than the one pointed to by the FAWE[11:0] bits
- FAWE[11:0] < FAWS[11:0]: The P/E command cannot execute anywhere in the user area of the code flash memory.

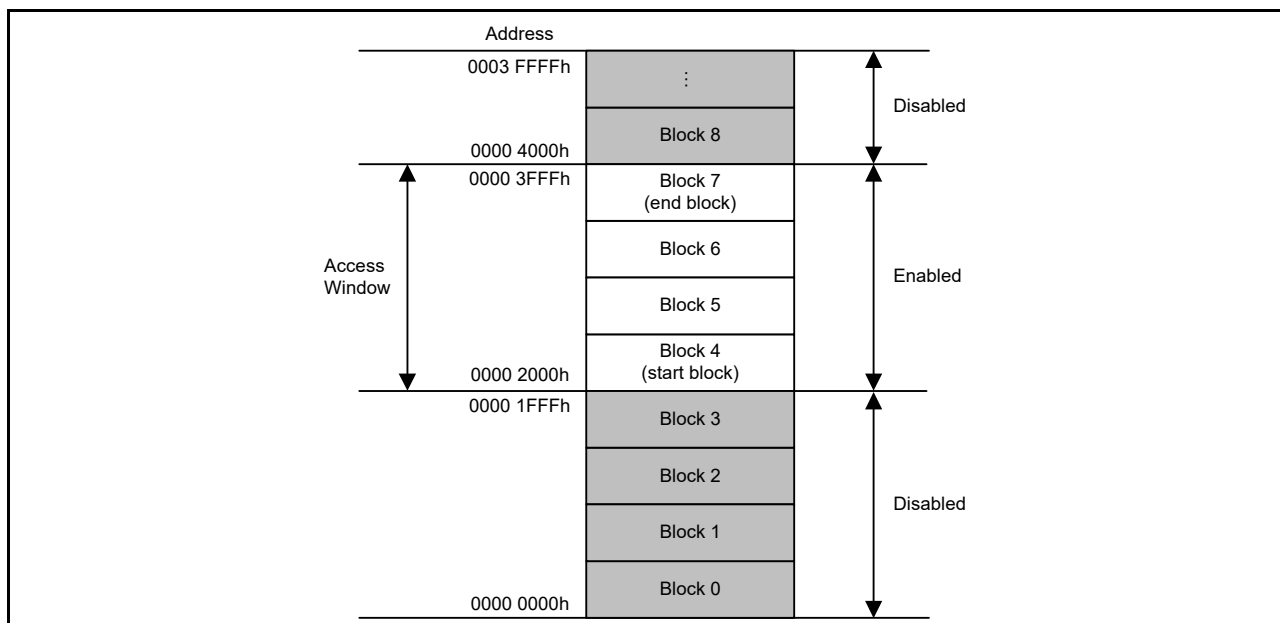


Figure 44.8 Flash area protection overview

44.7 Programming Commands

The FCB controls the programming commands.

44.8 Suspend Operation

The forced stop command forces the blank check command or the block erase command to stop. When a forced stop is executed, the stopped address values are stored in the registers. The commands can restart from the stopped address after resetting registers for command execution by copying the saved addresses.

44.9 Protection

The types of protection provided include:

- Software protection
- Error protection
- Boot program protection.

44.10 Serial Programming Mode

The serial programming modes include:

- Boot mode with SCI9
- USB boot mode with the USBFS.

Table 44.11 lists the I/O pins of the flash memory-related modules.

Table 44.11 I/O pins of flash memory-related modules (1 of 2)

| Pin name | I/O | Applicable modes | Function |
|-----------|--------|-------------------------------------------------------------|------------------------------------------------------|
| MD | Input | SCI boot mode USB boot mode (serial programming mode) | Selection of operating mode |
| P110/RXD9 | Input | SCI boot mode | For host communication, to receive data through SCI |
| P109/TXD9 | Output | | For host communication, to transmit data through SCI |

Table 44.11 I/O pins of flash memory-related modules (2 of 2)

| Pin name | I/O | Applicable modes | Function |
|----------------|-------|------------------|---------------------------------------------------------|
| USB_DP, USB_DM | I/O | USB boot mode | USB data I/O |
| USB_VBUS | Input | | Detection of connection and disconnection of USB cables |

Note: Serial programming mode is not executed when security MPU is enabled.

44.10.1 SCI Boot Mode

In boot mode, the host sends control commands and data for programming, and the code flash memory and data flash memory areas are programmed or erased accordingly. An on-chip SCI handles transfer between the host and the MCU in asynchronous mode. Tools for transmission of control commands and the data for programming must be prepared in the host.

When the MCU is activated in boot mode, the embedded program for serial programming is executed. This program automatically adjusts the bit rate of the SCI and controls programming and erasure by receiving control commands from the host. The USB cable must not be connected on reset release.

Figure 44.9 shows the system configuration for operation in boot mode.

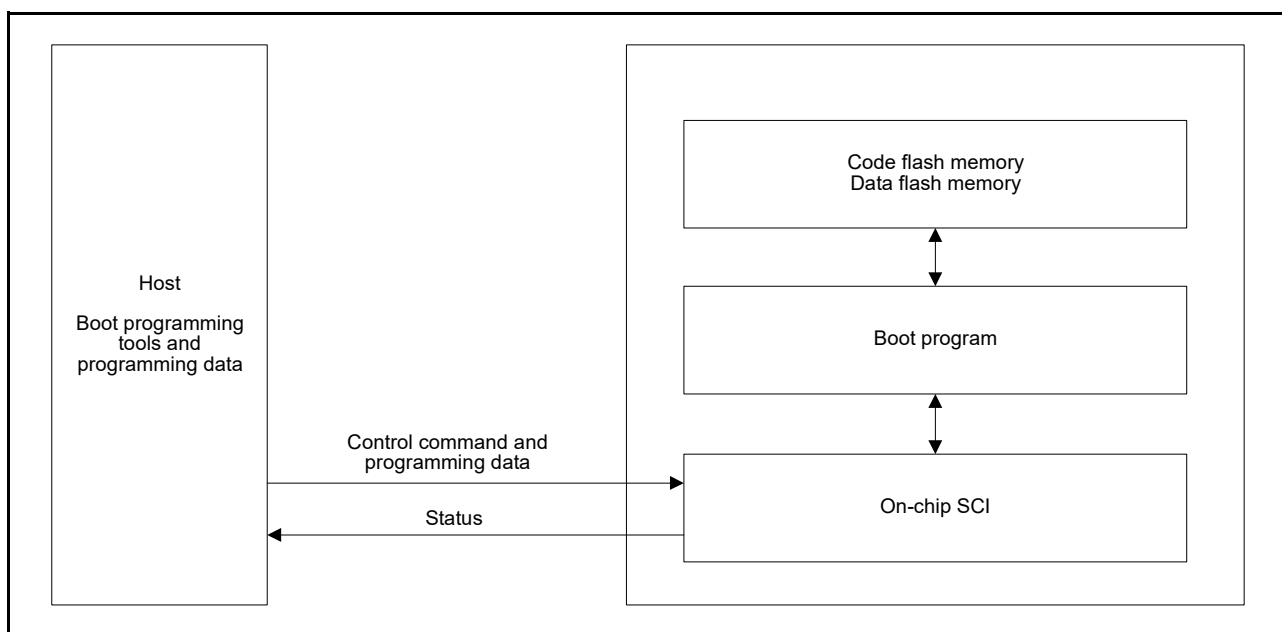


Figure 44.9 System configuration in SCI boot mode

44.10.2 USB Boot Mode

In USB boot mode, the code and data flash memory are programmed or erased by control commands and data for programming transmitted from an externally connected host through the USB interface.

Using USB boot mode requires host-side preparation of the tools for transmitting control commands and data for programming. Figure 44.10 shows the configuration of a system in USB boot mode. The USB cable must be connected on reset release.

For a USB self-powered system, the total current consumption from VBUS should not exceed 100 mA.

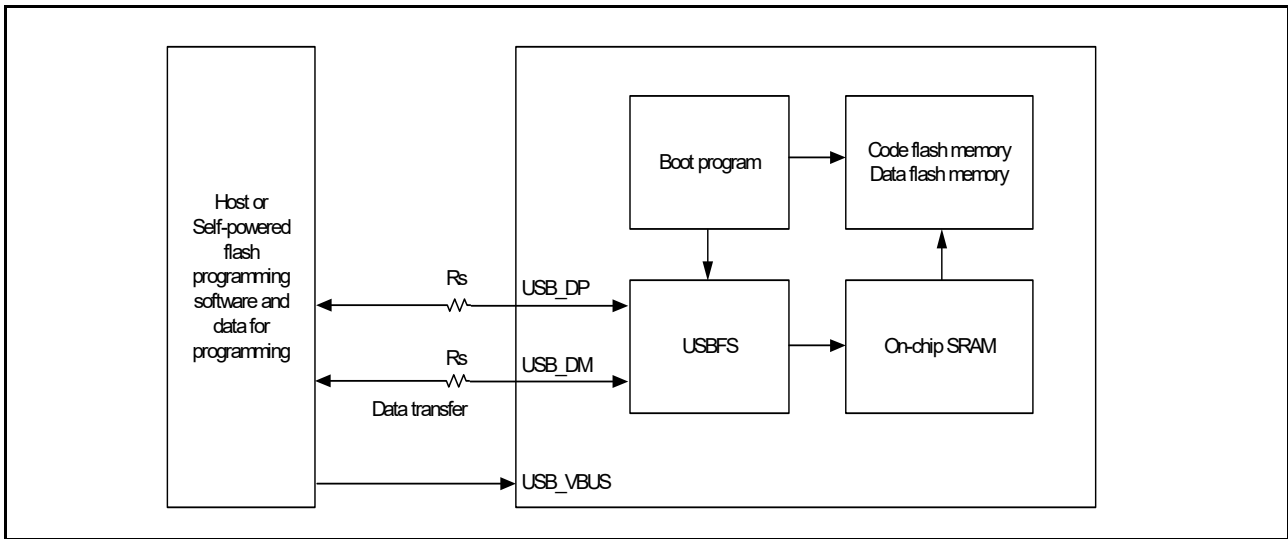


Figure 44.10 System configuration in USB boot mode

44.11 Using a Serial Programmer

A dedicated flash memory programmer can be used to program the flash memory in serial programming mode.

44.11.1 Serial Programming

The MCU is mounted on the system board for serial programming. A connector to the board allows programming by the flash memory programmer.

44.11.2 Programming Environment

Figure 44.11 shows the environments recommended by Renesas for programming the flash memory of the MCU with data.

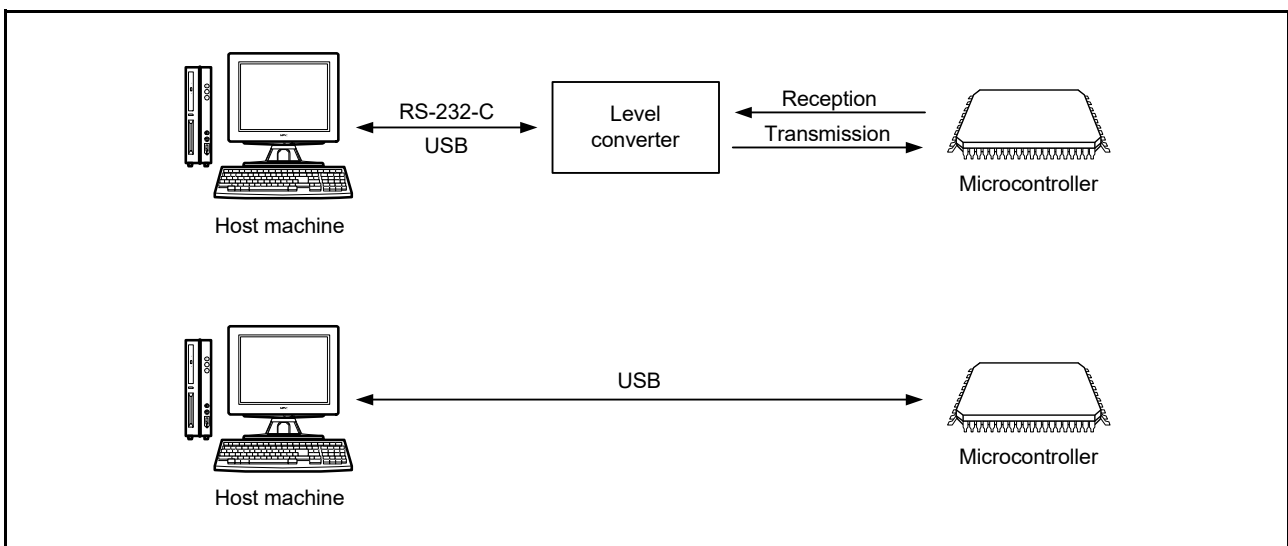


Figure 44.11 Environment for writing programs to the flash memory

44.12 Self-Programming

44.12.1 Overview

The MCU supports programming of the flash memory by the user program. The programming commands can be used with user programs for writing to the code and data flash memory. This enables updates to the user programs and

overwriting of constant data fields.

For data flash memory programming, the background operation facility makes it possible to execute a program from the code flash memory under the conditions shown in Table 44.12. This program can also be copied in advance and executed from the internal SRAM.

For code flash memory programming, this program can be copied to and executed from the internal SRAM.

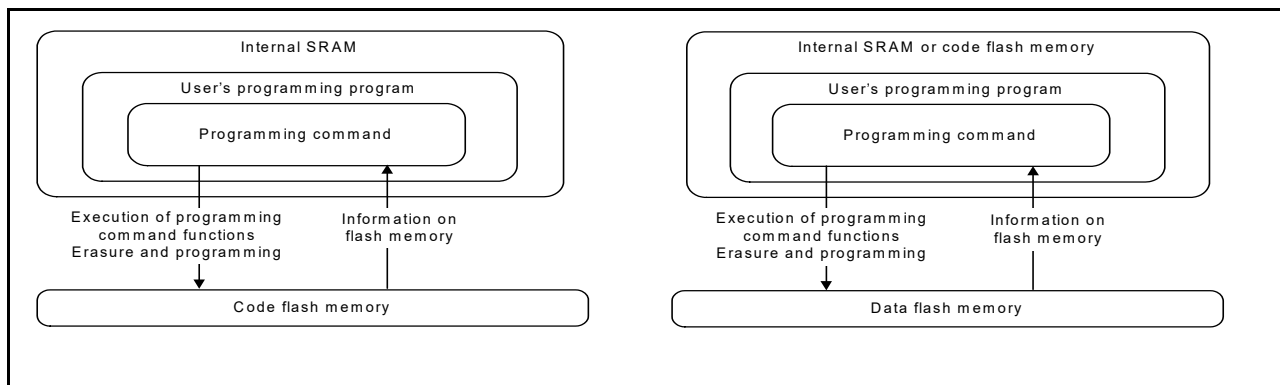


Figure 44.12 Schematic view of self-programming

44.12.2 Background Operation

Background operations can be used when a combination of the flash memory for writing and reading is as listed in Table 44.12.

Table 44.12 Conditions under which background operation is available

| Product | Writable range | Readable range |
|--------------|-------------------|-------------------|
| All products | Data flash memory | Code flash memory |

44.13 Reading the Flash Memory

44.13.1 Reading the Code Flash Memory

No special settings are required to read the code flash memory in Normal mode. Data can be read by accessing addresses in the code flash memory. When reading code flash memory that is erased but not yet reprogrammed, such as code flash memory in the non-programmed state, all bits are read as 1s.

44.13.2 Reading the Data Flash Memory

No special settings are required to read the data flash memory in Normal mode except when issuing a reset that causes the data flash access disable mode to disable reading. In this case, the application must transfer back to the data flash read mode. When reading data flash memory that is erased but not yet reprogrammed, such as data flash memory in the non-programmed state, all bits are read as 1s.

44.14 Usage Notes

44.14.1 Erase Suspended Area

Data in areas where an erase operation is suspended is undefined. To avoid faulty operation caused by reading undefined data, do not execute commands and read data in the area where erase operation is suspended.

44.14.2 Suspension by Erase Suspend Commands

When suspending an erase operation with the erase suspend command, complete the operation with a resume command.

44.14.3 Constraint on Additional Writes

Other than the configuration area, no other area can be written to twice. After a write to a flash memory area is complete, erase the area before attempting to overwrite data in that area. The configuration area can be overwritten.

44.14.4 Reset during Programming and Erasure

If inputting a reset from the RES pin, release the reset after a reset input time of at least t_{RESW} (see [section 48, Electrical Characteristics](#)) within the range of the operating voltage defined in the electrical characteristics.

The IWDT reset and software reset do not require a t_{RESW} input time.

44.14.5 Non-Maskable Interrupt Disabled during Programming and Erasure

When a non-maskable interrupt*¹ occurs during a programming and erasure operation, the vectors are fetched from the code flash memory, and undefined data is read. Therefore, do not generate a non-maskable interrupt during a programming or erasure operation in the code flash memory. This constraint applies only to the code flash memory.

Note 1. A non-maskable interrupt is an NMI pin interrupt, an Oscillation stop detection interrupt, a WDT underflow/refresh error interrupt, an IWDT underflow/refresh error interrupt, a Voltage monitor 1 interrupt, a Voltage monitor 2 interrupt, a VBATT monitor interrupt, an SRAM parity error interrupt, an SRAM ECC error interrupt, an MPU bus master error interrupt, an MPU bus slave error interrupt, or a CPU stack pointer monitor interrupt.

44.14.6 Location of Interrupt Vectors during a Programming and Erasure Operation

When an interrupt occurs during a programming or erasure operation, the vector can be fetched from the code flash memory. To avoid fetching the vector from the code flash memory, set the destination for fetching interrupt vectors to an area other than the code flash memory with the interrupt table.

44.14.7 Programming and Erasure in Low-Speed Operating Mode

Do not program or erase the flash memory when low-speed operating mode is selected in the SOPCCR register for low power consumption functions.

44.14.8 Abnormal Termination during Programming and Erasure

When the voltage exceeds the range of the operating voltage during a programming or erasure operation, or when a programming or erasure operation did not complete successfully because of a reset or prohibited actions as described in [section 44.14.9, Actions Prohibited during Programming and Erasure](#), erase the area again.

44.14.9 Actions Prohibited during Programming and Erasure

To prevent damage to the flash memory, comply with the following instructions during programming and erasure:

- Do not use an MCU power supply that is outside the operating voltage range
- Do not update the OPCCR.OPCM[1:0] bit value
- Do not update the SOPCCR.SOPCM bit value
- Do not change the division ratio of the flash interface clock (FCLK)
- Do not place the MCU in Software Standby mode
- Do not access the data flash memory during a programming or erasure operation to the code flash memory
- Do not change the DFLCTL.DFLEN bit value during a programming or erasure operation to the data flash memory.

45. Segment LCD Controller (SLCDC)

45.1 Overview

The MCU provides a controller for LCD display and display pins. [Table 45.1](#) lists the SLCDC specifications.

Table 45.1 SLCDC specifications

| Parameter | Description |
|----------------------------|-----------------------------------------------------------------------------------------------------------------------------------------------------------------------------------------------------------------------------------------------------------------------------------------------------------------------------------------------------------------------------------------------------------------------------------------------------------------------------------------------------------------------|
| Features | <ul style="list-style-type: none"> Liquid crystal waveform (waveform A or B) selectable LCD driver voltage generator can switch between internal voltage boosting method, capacitor split method, and external resistance division method Automatic output of segment and shared signals based on automatic display data register read Voltage boost circuit reference voltage selectable from 16 steps (contrast adjustment) LCD blinking and display selectable. |
| Number of pins | For details on the number of pins, see Table 45.2, SLCDC display function pins for 100-pin products |
| Source clocks | <ul style="list-style-type: none"> Main clock oscillator Sub-clock oscillator Low-speed on-chip oscillator High-speed on-chip oscillator. |
| Module-stop state function | Module-stop state can be set to reduce power consumption |

The number of LCD display function pins for the MCU differ depending on the product. [Table 45.2](#) and [Table 45.3](#) show the display function pins for products with different pin counts. [Table 45.4](#) to [Table 45.5](#) show the maximum number of pixels for products with different pin counts. [Figure 45.1](#) shows the SLDC block diagram.

Table 45.2 SLCDC display function pins for 100-pin products

| Parameter | 100 Pins | | | | | | | | | | | | | | | |
|-----------------------|---------------------------------------------------------------------------|--------|--------------|---------|---------|--------|--------|--------|--------|--------|--------|--------|--------------|--------------|--------------|--------|
| LCD controller/driver | Number of segment pins (SEG): 38 (34)*1 Number of common pins (COM): 8 | | | | | | | | | | | | | | | |
| Multiplexed I/O port | b15 | b14 | b13 | b12 | b11 | b10 | b9 | b8 | b7 | b6 | b5 | b4 | b3 | b2 | b1 | b0 |
| PORT1 | SEG 26 | SEG 25 | SEG0 / COM 4 | CAPL *2 | CAPH *2 | SEG 24 | SEG 23 | - | COM 3 | COM 2 | COM 1 | COM 0 | VL4*3 | VL3*3 | VL2*3 | VL1*3 |
| PORT2 | - | - | - | - | - | - | - | - | - | SEG 12 | SEG 13 | SEG 14 | SEG 15 | SEG 16 | - | - |
| PORT3 | - | - | - | - | - | - | - | - | SEG 17 | SEG 18 | SEG 19 | SEG 20 | SEG3 / COM 7 | SEG2 / COM 6 | SEG1 / COM 5 | - |
| PORT4 | - | - | - | - | SEG7 | SEG8 | SEG9 | SEG 10 | SEG 11 | - | - | - | - | SEG6 | SEG5 | SEG4 |
| PORT5 | - | - | - | - | - | - | - | - | - | - | - | - | SEG 37 | SEG 36 | SEG 35 | SEG 34 |
| PORT6 | - | - | - | - | - | SEG 29 | SEG 28 | SEG 27 | - | - | - | - | SEG 30 | SEG 31 | SEG 32 | SEG 33 |
| PORT7 | - | - | - | - | - | - | - | - | - | - | - | - | - | - | - | - |
| PORT8 | - | - | - | - | - | - | SEG 22 | SEG 21 | - | - | - | - | - | - | - | - |
| PORT9 | - | - | - | - | - | - | - | - | - | - | - | - | - | - | - | - |

Note 1. () indicates the number of signal output pins when 8-time slice is selected.

Note 2. CAPH and CAPL are capacitor connection pins for the LCD controller/driver.

Note 3. VL1, VL2, VL3, and VL4 are power supply pins for driving the LCD.

Table 45.3 SLCDC display function pins for 64-pin products

| Parameter | 64 Pins | | | | | | | | | | | | | | | |
|-----------------------|------------------------------------------------------------------------------|-----|--------------|---------|---------|--------|--------|--------|--------|--------|--------|--------------|--------------|--------------|--------|--------|
| LCD controller/driver | Number of segment pins (SEG) : 21 (17) *1 Number of common pins (COM) : 8 | | | | | | | | | | | | | | | |
| Multiplexed I/O port | b15 | b14 | b13 | b12 | b11 | b10 | b9 | b8 | b7 | b6 | b5 | b4 | b3 | b2 | b1 | b0 |
| PORT1 | - | - | SEG0 / COM 4 | CAPL *2 | CAPH *2 | SEG 24 | SEG 23 | - | COM 3 | COM 2 | COM 1 | COM 0 | VL4*3 | VL3*3 | VL2*3 | VL1*3 |
| PORT2 | - | - | - | - | - | - | - | - | - | SEG 12 | SEG 13 | SEG 14 | - | - | - | - |
| PORT3 | - | - | - | - | - | - | - | - | - | - | SEG 20 | SEG3 / COM 7 | SEG2 / COM 6 | SEG1 / COM 5 | - | - |
| PORT4 | - | - | - | - | SEG7 | SEG8 | SEG9 | SEG 10 | SEG 11 | - | - | - | - | SEG6 | SEG5 | SEG4 |
| PORT5 | - | - | - | - | - | - | - | - | - | - | - | - | - | SEG 36 | SEG 35 | SEG 34 |
| PORT6 | - | - | - | - | - | - | - | - | - | - | - | - | - | - | - | - |
| PORT7 | - | - | - | - | - | - | - | - | - | - | - | - | - | - | - | - |
| PORT8 | - | - | - | - | - | - | - | - | - | - | - | - | - | - | - | - |
| PORT9 | - | - | - | - | - | - | - | - | - | - | - | - | - | - | - | - |

Note 1. () indicates the number of signal output pins when 8-time slice is selected.

Note 2. CAPH and CAPL are capacitor connection pins for the LCD controller/driver.

Note 3. VL1, VL2, VL3, and VL4 are power supply pins for driving the LCD.

Table 45.4 Maximum number of pixels for 64-pin products

| Drive waveform for LCD driver | LCD driver voltage generator | Bias mode | Number of time slices | Maximum number of pixels |
|-------------------------------|---------------------------------------------------------|-----------|-----------------------|--------------------------------------------|
| Waveform A | External resistance division | - | Static | 21 (21 segment signals, 1 common signal) |
| | | 1/2 | 2 | 42 (21 segment signals, 2 common signals) |
| | | | 3 | 63 (21 segment signals, 3 common signals) |
| | | 1/3 | 3 | 84 (21 segment signals, 4 common signals) |
| | | | 4 | 136 (17 segment signals, 8 common signals) |
| | Internal voltage boosting | 1/3 | 3 | 63 (21 segment signals, 3 common signals) |
| | | | 4 | 84 (21 segment signals, 4 common signals) |
| | | 1/4 | 8 | 136 (17 segment signals, 8 common signals) |
| | Capacitor split | 1/3 | 3 | 63 (21 segment signals, 3 common signals) |
| | | | 4 | 84 (21 segment signals, 4 common signals) |
| Waveform B | External resistance division, internal voltage boosting | 1/3 | 4 | |
| | | 1/4 | 8 | 136 (17 segment signals, 8 common signals) |
| | Capacitor split | 1/3 | 4 | 84 (21 segment signals, 4 common signals) |

Table 45.5 Maximum number of pixels for 100-pin products

| Drive waveform for LCD driver | LCD driver voltage generator | Bias mode | Number of time slices | Maximum number of pixels |
|-------------------------------|---------------------------------------------------------|-----------|--------------------------------------------|--------------------------------------------|
| Waveform A | External resistance division | - | Static | 38 (38 segment signals, 1 common signal) |
| | | 1/2 | 2 | 76 (38 segment signals, 2 common signals) |
| | | | 3 | 114 (38 segment signals, 3 common signals) |
| | | 1/3 | 3 | 152 (38 segment signals, 4 common signals) |
| | | | 4 | 272 (34 segment signals, 8 common signals) |
| | Internal voltage boosting | 1/3 | 3 | 114 (38 segment signals, 3 common signals) |
| | | | 4 | 152 (38 segment signals, 4 common signals) |
| | | 1/4 | 8 | 272 (34 segment signals, 8 common signals) |
| | Capacitor split | 1/3 | 3 | 114 (38 segment signals, 3 common signals) |
| 4 | | | 152 (38 segment signals, 4 common signals) | |
| Waveform B | External resistance division, internal voltage boosting | 1/3 | 4 | 272 (34 segment signals, 8 common signals) |
| | | 1/4 | 8 | |
| | Capacitor split | 1/3 | 4 | 152 (38 segment signals, 4 common signals) |

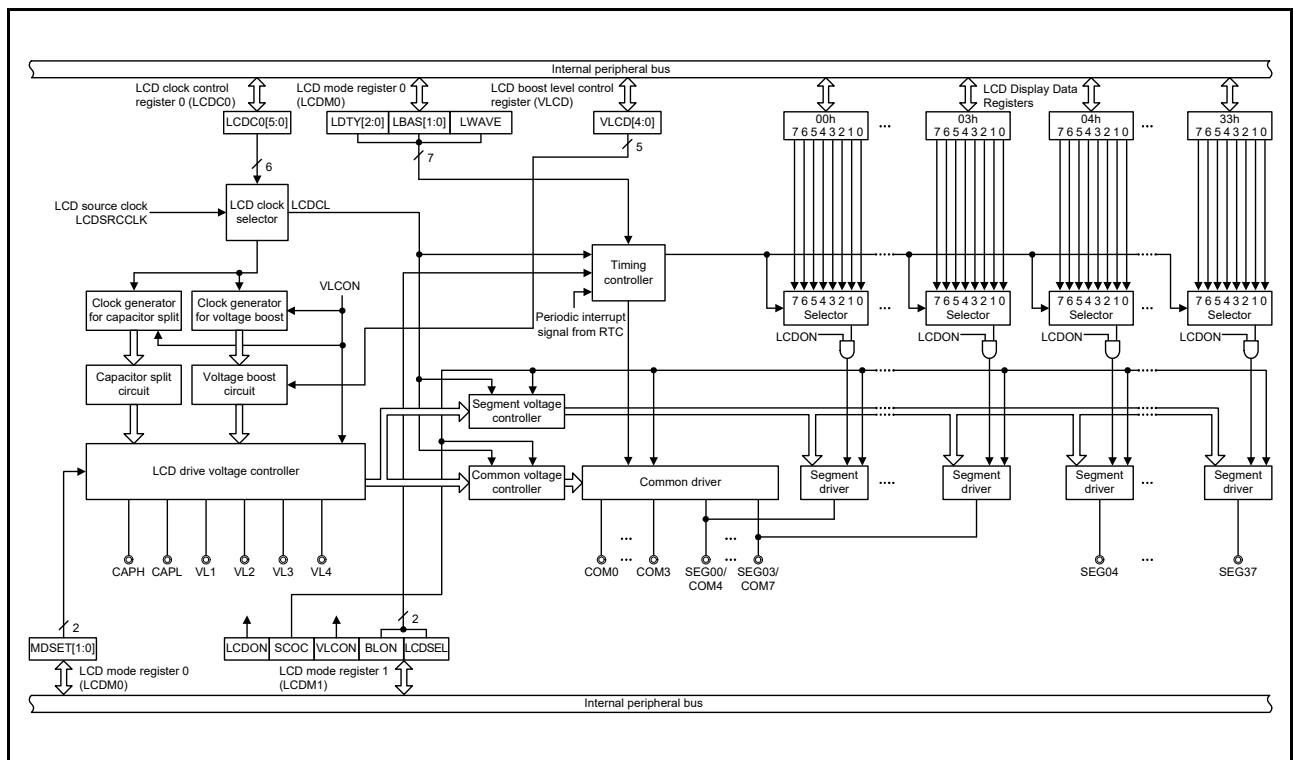
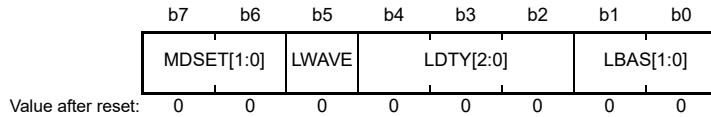


Figure 45.1 SLCDC block diagram

45.2 Register Descriptions

45.2.1 LCD Mode Register 0 (LCDM0)

Address(es): [SLCDC.LCDM0 4008 2000h](#)



| Bit | Symbol | Bit name | Description | R/W |
|----------|----------------------------|------------------------------------|-------------------------------------------------------------------------------------------------------------------------------------------------------|-----|
| b1, b0 | LBAS[1:0] | LCD Display Bias Method Select | b1 b0 0 0: 1/2 bias method 0 1: 1/3 bias method 1 0: 1/4 bias method 1 1: Setting prohibited. | R/W |
| b4 to b2 | LDTY[2:0] | Time Slice of LCD Display Select | b4 b2 0 0 0: Static 0 0 1: 2-time slice 0 1 0: 3-time slice 0 1 1: 4-time slice 1 0 1: 8-time slice. Other settings are prohibited. | R/W |
| b5 | LWAVE | LCD Display Waveform Select | 0: Waveform A 1: Waveform B. | R/W |
| b7, b6 | MDSET[1:0] | LCD Drive Voltage Generator Select | b7 b6 0 0: External resistance division method 0 1: Internal voltage boosting method 1 0: Capacitor split method 1 1: Setting prohibited. | R/W |

Note: Do not rewrite the LCDM0 value when the SCOC bit of the LCDM1 register is 1.

Note: When static is selected (LDTY[2:0] = 000b), you must set the LBAS[1:0] bits to the default value (00b). Otherwise, the operation is not guaranteed.

Note: Only the combinations of the display waveform, number of time slices, and bias method shown in [Table 45.6](#) are supported. Combinations of settings not shown in [Table 45.6](#) are prohibited.

Table 45.6 Combinations of display waveform, time slices, bias method, and frame frequency

| Display mode | | | Set value | | | | | | Driving voltage generation method | | |
|------------------|-----------------------|-----------|-----------|-----------|---|---|-----------|---|-----------------------------------|---------------------------|-----------------|
| Display waveform | Number of time slices | Bias mode | LWAVE | LDTY[2:0] | | | LBAS[1:0] | | External resistance division | Internal voltage boosting | Capacitor split |
| Waveform A | 8 | 1/4 | 0 | 1 | 0 | 1 | 1 | 0 | A | A | N/A |
| Waveform A | 4 | 1/3 | 0 | 0 | 1 | 1 | 0 | 1 | A | A | A |
| Waveform A | 3 | 1/3 | 0 | 0 | 1 | 0 | 0 | 1 | A | A | A |
| Waveform A | 3 | 1/2 | 0 | 0 | 1 | 0 | 0 | 0 | A | N/A | N/A |
| Waveform A | 2 | 1/2 | 0 | 0 | 0 | 1 | 0 | 0 | A | N/A | N/A |
| Waveform A | Static | | 0 | 0 | 0 | 0 | 0 | 0 | A | N/A | N/A |
| Waveform B | 8 | 1/4 | 1 | 1 | 0 | 1 | 1 | 0 | A | A | N/A |
| Waveform B | 4 | 1/3 | 1 | 0 | 1 | 1 | 0 | 1 | A | A | A |

A: Available, N/A: Not available

45.2.2 LCD Mode Register 1 (LCDM1)

Address(es): SLCDC.LCDM1 4008 2001h

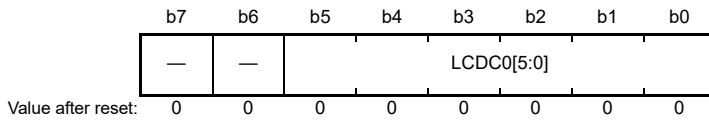
| | b7 | b6 | b5 | b4 | b3 | b2 | b1 | b0 |
|--------------------|-------|------|-------|------|--------|----|----|--------|
| | LCDON | SCOC | VLCON | BLON | LCDSEL | — | — | LCDVLM |
| Value after reset: | 0 | 0 | 0 | 0 | 0 | 0 | 0 | 0 |

| Bit | Symbol | Bit name | Description | R/W |
|--------|--------|---------------------------------------------------------------------------|------------------------------------------------------------------------------------------------------------------------------------------------------------------------------------------------------------------------------------------------------------------------------------------------------------------------------------------------------------------------------------------------------------------------------|-----|
| b0 | LCDVLM | Voltage Boosting Pin Initial Value Switching Control | 0: Set when $VCC \geq 2.7\text{ V}$ 1: Set when $VCC \leq 4.2\text{ V}$. In the condition $2.7\text{ V} \leq VCC \leq 4.2\text{ V}$, any value can be set. | R/W |
| b2, b1 | — | Reserved | These bits are read as 0. The write value should be 0. | R/W |
| b3 | LCDSEL | Display Data Area Control | b4 b3 0 0: Display an A-pattern area data (lower 4 bits of LCD display data register) | R/W |
| b4 | BLON | Display Data Area Control | 0 1: Display a B-pattern area data (higher 4 bits of LCD display data register) 1 0: Alternately display A-pattern and B-pattern area data (blinking display corresponding to the periodic interrupt (RTC_PRD) timing of the Realtime Clock (RTC)) 1 1: Alternately display A-pattern and B-pattern area data (blinking display corresponding to the periodic interrupt (RTC_PRD) timing of the Realtime Clock (RTC)). | R/W |
| b5 | VLCON | Voltage Boost Circuit or Capacitor Split Circuit Operation Enable/Disable | 0: Stop voltage boost circuit or capacitor split circuit operation 1: Enable voltage boost circuit or capacitor split circuit operation.*1 | R/W |
| b6 | SCOC | LCD Display Enable/Disable | b7 b6 0 0: Output ground level to segment/common pin | R/W |
| b7 | LCDON | LCD Display Enable/Disable | 0 1: Display off (all segment outputs are deselected) 1 0: Output ground level to segment/common pin 1 1: Display on. | R/W |

- Note: This bit is used to improve voltage boost efficiency when using the voltage boost circuit by setting the initial VLX pin status. If VCC is 2.7 V or higher when voltage boosting starts, set the LCDVLM bit to 0. If VCC is 4.2 V or lower, set the LCDVLM bit to 1. If VCC is within the range between 2.7 V and 4.2 V, the LCDVLM bit may be set to 0 or 1.
- Note: To reduce power consumption when nothing is to be displayed on the LCD while the voltage boost circuit is in use, set the SCOC and VLCON bits to 0 and set the LCDM0.MDSET[1:0] bits to 00b. When LCDM0.MDSET[1:0] = 01b, the internal reference voltage generator operates and consumes power.
- Note: When the external resistance division method is set (LCDM0.MDSET[1:0] = 00b) or the capacitor split method is set (LCDM0.MDSET[1:0] = 10b), set the LCDVLM bit to 0.
- Note: Do not rewrite the VLCON and LCDVLM bits while SCOC = 1.
- Note: Set the BLON and LCDSEL bits to 0 when 8 is selected as the number of time slices for the display mode.
- Note: To use the internal voltage boosting method, specify the reference voltage by using the VLCD register (select the internal boosting method by setting the LCDM0.MDSET[1:0] bits to 01b if the default reference voltage is used), wait for the reference voltage setup time (minimum 5 ms), and then set the VLCON bit to 1.
- Note 1. Setting is prohibited when using the external resistance division method.

45.2.3 LCD Clock Control Register 0 (LCDC0)

Address(es): SLCDC.LCDC0 4008 2002h



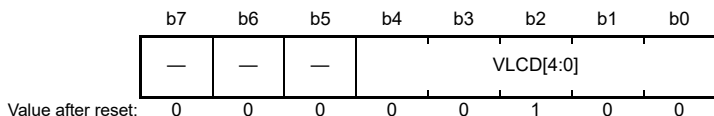
| Bit | Symbol | Bit name | Description | R/W |
|----------|------------|---------------------------|---------------------------------------------------------------------------------------------------------------------------------------------------------------------------------------------------------------------------------------------------------------------------------------------------------------------------------------------------------------------------------------------------------------------------------------------------------------------------------------------------------------------------------------------------------------------------------------------------------------------------------------------------------------------------------------------------------------------------------------------------------------------------------------------------------------------------------------------------------------------------------------------------------------------------------------------------------------------------------------------------------------------------------------------------------------------------------------------------------------------------------------------------------------------------------------------------------------------------------------------------------------------------------------------------------------------------------------------------------------------------------------------------------------------------------------------------------------------------------------------------------------------------------------------------------------------------------------------------------------------------------------------------------------------------------------------|-----|
| b5 to b0 | LCDC0[5:0] | LCD Clock (LCDCL) Setting | b5 b0 0 0 0 0 1: (sub-clock)/2 ² or (LOCO clock)/2 ² 0 0 0 0 1 0: (sub-clock)/2 ³ or (LOCO clock)/2 ³ 0 0 0 0 1 1: (sub-clock)/2 ⁴ or (LOCO clock)/2 ⁴ 0 0 0 1 0 0: (sub-clock)/2 ⁵ or (LOCO clock)/2 ⁵ 0 0 0 1 0 1: (sub-clock)/2 ⁶ or (LOCO clock)/2 ⁶ 0 0 0 1 1 0: (sub-clock)/2 ⁷ or (LOCO clock)/2 ⁷ 0 0 0 1 1 1: (sub-clock)/2 ⁸ or (LOCO clock)/2 ⁸ 0 0 1 0 0 0: (sub-clock)/2 ⁹ or (LOCO clock)/2 ⁹ 0 0 1 0 0 1: (sub-clock)/2 ¹⁰ or (LOCO clock)/2 ¹⁰ 0 1 0 0 0 1: (Main clock)/2 ⁸ or (HOCO clock)/2 ⁸ 0 1 0 0 1 0: (Main clock)/2 ⁹ or (HOCO clock)/2 ⁹ 0 1 0 0 1 1: (Main clock)/2 ¹⁰ or (HOCO clock)/2 ¹⁰ 0 1 0 1 0 0: (Main clock)/2 ¹¹ or (HOCO clock)/2 ¹¹ 0 1 0 1 0 1: (Main clock)/2 ¹² or (HOCO clock)/2 ¹² 0 1 0 1 1 0: (Main clock)/2 ¹³ or (HOCO clock)/2 ¹³ 0 1 0 1 1 1: (Main clock)/2 ¹⁴ or (HOCO clock)/2 ¹⁴ 0 1 1 0 0 0: (Main clock)/2 ¹⁵ or (HOCO clock)/2 ¹⁵ 0 1 1 0 0 1: (Main clock)/2 ¹⁶ or (HOCO clock)/2 ¹⁶ 0 1 1 0 1 0: (Main clock)/2 ¹⁷ or (HOCO clock)/2 ¹⁷ 0 1 1 0 1 1: (Main clock)/2 ¹⁸ or (HOCO clock)/2 ¹⁸ 1 0 1 0 1 1: (Main clock)/2 ¹⁹ or (HOCO clock)/2 ¹⁹ . Other settings are prohibited. | R/W |
| b7, b6 | — | Reserved | These bits are read as 0. The write value should be 0. | R/W |

Note: Set the frame frequency in a range from 32 Hz to 128 Hz. Set the LCD clock (LCDCL) to no more than 512 Hz when using the internal voltage boosting method and the capacitor split method.

Note: Do not set LCDC0 when the LCDM1.SCOC bit is 1.

45.2.4 LCD Boost Level Control Register (VLCD)

Address(es): [SLCDC.VLCD 4008 2003h](#)



| Bit | Symbol | Bit name | Description | R/W | | | | | | | | | | | | | | | | | | | | | | | | | | | | | | | | | | | | | | | | | | | | | | | | | | | | | | | | | | | | | | | | | | | | | | | | | | | | | | | | | | | | | | | | | | | | | | | | | | | | | | | | | | | | | | | | | | | | | | | | | | | | | | | | | | | | | | | | | | | | | | | | | |
|----------------------------------------------------------------------------------------------------------------------------------------------------------------------------------------------------------------------------------------------------------------------------------------------------------------------------------------------------------------------------------------------------------------------------------------------------------------------------------------------------------------------------------------------------------------------------------------------------------------------------------------------------------------------------------------------------------------------------------------------------------------------------------------------------------------------------------------------------------------------------------------------------------------------------------------------------------------------------------------------------------------------------------------------------------------------------------------------------------------------------------------------------------------------------------------------------------------------------------------------------------------------------------------------------------------------------------------------------------------------------------------------------------------------------------------------------------------------------------------------------------------------------------------------------------------------------------------------------------------------------------------------------------------------------------------------------------------------------------------------------------------------------------------------------------------------------------------------------------------------------------------------------------------------------------------------------------------------------------------------------------------------------------------------------------------------------------------------------------------------------------------------------------------------------------|---------------------------|---------------------------------------------------|--------------------------------------------------------|-----|-------------------|-----------------|--------------------|--|--|-------------|--|-------------|--|----|----|----|----|----|-------------------|-----------------|-----------------|---|---|---|---|---|--------|--------|--------|---|---|---|---|---|--------|--------|--------|---|---|---|---|---|--------|--------|--------|---|---|---|---|---|--------|--------|--------|---|---|---|---|---|--------|--------|--------|---|---|---|---|---|--------|--------|--------|---|---|---|---|---|--------|--------|--------|---|---|---|---|---|--------|--------|--------------------|---|---|---|---|---|--------|--------|--------------------|---|---|---|---|---|--------|--------|--------------------|---|---|---|---|---|--------|--------|--------------------|---|---|---|---|---|--------|--------|--------------------|---|---|---|---|---|--------|--------|--------------------|---|---|---|---|---|--------|--------|--------------------|---|---|---|---|---|--------|--------|--------------------|---|---|---|---|---|--------|--------|--------------------|
| b4 to b0 | VLCD[4:0] | Reference Voltage (Contrast Adjustment) Select | | R/W | | | | | | | | | | | | | | | | | | | | | | | | | | | | | | | | | | | | | | | | | | | | | | | | | | | | | | | | | | | | | | | | | | | | | | | | | | | | | | | | | | | | | | | | | | | | | | | | | | | | | | | | | | | | | | | | | | | | | | | | | | | | | | | | | | | | | | | | | | | | | | | | | |
| <table border="1"> <thead> <tr> <th colspan="5"></th> <th colspan="2">VL1 voltage</th> <th colspan="2">VL4 voltage</th> </tr> <tr> <th>b4</th> <th>b3</th> <th>b2</th> <th>b1</th> <th>b0</th> <th>Reference voltage</th> <th>1/3 bias method</th> <th>1/4 bias method</th> </tr> </thead> <tbody> <tr><td>0</td><td>0</td><td>1</td><td>0</td><td>0</td><td>1.00 V</td><td>3.00 V</td><td>4.00 V</td></tr> <tr><td>0</td><td>0</td><td>1</td><td>0</td><td>1</td><td>1.05 V</td><td>3.15 V</td><td>4.20 V</td></tr> <tr><td>0</td><td>0</td><td>1</td><td>1</td><td>0</td><td>1.10 V</td><td>3.30 V</td><td>4.40 V</td></tr> <tr><td>0</td><td>0</td><td>1</td><td>1</td><td>1</td><td>1.15 V</td><td>3.45 V</td><td>4.60 V</td></tr> <tr><td>0</td><td>1</td><td>0</td><td>0</td><td>0</td><td>1.20 V</td><td>3.60 V</td><td>4.80 V</td></tr> <tr><td>0</td><td>1</td><td>0</td><td>0</td><td>1</td><td>1.25 V</td><td>3.75 V</td><td>5.00 V</td></tr> <tr><td>0</td><td>1</td><td>0</td><td>1</td><td>0</td><td>1.30 V</td><td>3.90 V</td><td>5.20 V</td></tr> <tr><td>0</td><td>1</td><td>0</td><td>1</td><td>1</td><td>1.35 V</td><td>4.05 V</td><td>Setting prohibited</td></tr> <tr><td>0</td><td>1</td><td>1</td><td>0</td><td>0</td><td>1.40 V</td><td>4.20 V</td><td>Setting prohibited</td></tr> <tr><td>0</td><td>1</td><td>1</td><td>0</td><td>1</td><td>1.45 V</td><td>4.35 V</td><td>Setting prohibited</td></tr> <tr><td>0</td><td>1</td><td>1</td><td>1</td><td>0</td><td>1.50 V</td><td>4.50 V</td><td>Setting prohibited</td></tr> <tr><td>0</td><td>1</td><td>1</td><td>1</td><td>1</td><td>1.55 V</td><td>4.65 V</td><td>Setting prohibited</td></tr> <tr><td>1</td><td>0</td><td>0</td><td>0</td><td>0</td><td>1.60 V</td><td>4.80 V</td><td>Setting prohibited</td></tr> <tr><td>1</td><td>0</td><td>0</td><td>0</td><td>1</td><td>1.65 V</td><td>4.95 V</td><td>Setting prohibited</td></tr> <tr><td>1</td><td>0</td><td>0</td><td>1</td><td>0</td><td>1.70 V</td><td>5.10 V</td><td>Setting prohibited</td></tr> <tr><td>1</td><td>0</td><td>0</td><td>1</td><td>1</td><td>1.75 V</td><td>5.25 V</td><td>Setting prohibited</td></tr> </tbody> </table> | | | | | | | | | | VL1 voltage | | VL4 voltage | | b4 | b3 | b2 | b1 | b0 | Reference voltage | 1/3 bias method | 1/4 bias method | 0 | 0 | 1 | 0 | 0 | 1.00 V | 3.00 V | 4.00 V | 0 | 0 | 1 | 0 | 1 | 1.05 V | 3.15 V | 4.20 V | 0 | 0 | 1 | 1 | 0 | 1.10 V | 3.30 V | 4.40 V | 0 | 0 | 1 | 1 | 1 | 1.15 V | 3.45 V | 4.60 V | 0 | 1 | 0 | 0 | 0 | 1.20 V | 3.60 V | 4.80 V | 0 | 1 | 0 | 0 | 1 | 1.25 V | 3.75 V | 5.00 V | 0 | 1 | 0 | 1 | 0 | 1.30 V | 3.90 V | 5.20 V | 0 | 1 | 0 | 1 | 1 | 1.35 V | 4.05 V | Setting prohibited | 0 | 1 | 1 | 0 | 0 | 1.40 V | 4.20 V | Setting prohibited | 0 | 1 | 1 | 0 | 1 | 1.45 V | 4.35 V | Setting prohibited | 0 | 1 | 1 | 1 | 0 | 1.50 V | 4.50 V | Setting prohibited | 0 | 1 | 1 | 1 | 1 | 1.55 V | 4.65 V | Setting prohibited | 1 | 0 | 0 | 0 | 0 | 1.60 V | 4.80 V | Setting prohibited | 1 | 0 | 0 | 0 | 1 | 1.65 V | 4.95 V | Setting prohibited | 1 | 0 | 0 | 1 | 0 | 1.70 V | 5.10 V | Setting prohibited | 1 | 0 | 0 | 1 | 1 | 1.75 V | 5.25 V | Setting prohibited |
| | | | | | VL1 voltage | | VL4 voltage | | | | | | | | | | | | | | | | | | | | | | | | | | | | | | | | | | | | | | | | | | | | | | | | | | | | | | | | | | | | | | | | | | | | | | | | | | | | | | | | | | | | | | | | | | | | | | | | | | | | | | | | | | | | | | | | | | | | | | | | | | | | | | | | | | | | | | | | | | | | | | |
| b4 | b3 | b2 | b1 | b0 | Reference voltage | 1/3 bias method | 1/4 bias method | | | | | | | | | | | | | | | | | | | | | | | | | | | | | | | | | | | | | | | | | | | | | | | | | | | | | | | | | | | | | | | | | | | | | | | | | | | | | | | | | | | | | | | | | | | | | | | | | | | | | | | | | | | | | | | | | | | | | | | | | | | | | | | | | | | | | | | | | | | | | | |
| 0 | 0 | 1 | 0 | 0 | 1.00 V | 3.00 V | 4.00 V | | | | | | | | | | | | | | | | | | | | | | | | | | | | | | | | | | | | | | | | | | | | | | | | | | | | | | | | | | | | | | | | | | | | | | | | | | | | | | | | | | | | | | | | | | | | | | | | | | | | | | | | | | | | | | | | | | | | | | | | | | | | | | | | | | | | | | | | | | | | | | |
| 0 | 0 | 1 | 0 | 1 | 1.05 V | 3.15 V | 4.20 V | | | | | | | | | | | | | | | | | | | | | | | | | | | | | | | | | | | | | | | | | | | | | | | | | | | | | | | | | | | | | | | | | | | | | | | | | | | | | | | | | | | | | | | | | | | | | | | | | | | | | | | | | | | | | | | | | | | | | | | | | | | | | | | | | | | | | | | | | | | | | | |
| 0 | 0 | 1 | 1 | 0 | 1.10 V | 3.30 V | 4.40 V | | | | | | | | | | | | | | | | | | | | | | | | | | | | | | | | | | | | | | | | | | | | | | | | | | | | | | | | | | | | | | | | | | | | | | | | | | | | | | | | | | | | | | | | | | | | | | | | | | | | | | | | | | | | | | | | | | | | | | | | | | | | | | | | | | | | | | | | | | | | | | |
| 0 | 0 | 1 | 1 | 1 | 1.15 V | 3.45 V | 4.60 V | | | | | | | | | | | | | | | | | | | | | | | | | | | | | | | | | | | | | | | | | | | | | | | | | | | | | | | | | | | | | | | | | | | | | | | | | | | | | | | | | | | | | | | | | | | | | | | | | | | | | | | | | | | | | | | | | | | | | | | | | | | | | | | | | | | | | | | | | | | | | | |
| 0 | 1 | 0 | 0 | 0 | 1.20 V | 3.60 V | 4.80 V | | | | | | | | | | | | | | | | | | | | | | | | | | | | | | | | | | | | | | | | | | | | | | | | | | | | | | | | | | | | | | | | | | | | | | | | | | | | | | | | | | | | | | | | | | | | | | | | | | | | | | | | | | | | | | | | | | | | | | | | | | | | | | | | | | | | | | | | | | | | | | |
| 0 | 1 | 0 | 0 | 1 | 1.25 V | 3.75 V | 5.00 V | | | | | | | | | | | | | | | | | | | | | | | | | | | | | | | | | | | | | | | | | | | | | | | | | | | | | | | | | | | | | | | | | | | | | | | | | | | | | | | | | | | | | | | | | | | | | | | | | | | | | | | | | | | | | | | | | | | | | | | | | | | | | | | | | | | | | | | | | | | | | | |
| 0 | 1 | 0 | 1 | 0 | 1.30 V | 3.90 V | 5.20 V | | | | | | | | | | | | | | | | | | | | | | | | | | | | | | | | | | | | | | | | | | | | | | | | | | | | | | | | | | | | | | | | | | | | | | | | | | | | | | | | | | | | | | | | | | | | | | | | | | | | | | | | | | | | | | | | | | | | | | | | | | | | | | | | | | | | | | | | | | | | | | |
| 0 | 1 | 0 | 1 | 1 | 1.35 V | 4.05 V | Setting prohibited | | | | | | | | | | | | | | | | | | | | | | | | | | | | | | | | | | | | | | | | | | | | | | | | | | | | | | | | | | | | | | | | | | | | | | | | | | | | | | | | | | | | | | | | | | | | | | | | | | | | | | | | | | | | | | | | | | | | | | | | | | | | | | | | | | | | | | | | | | | | | | |
| 0 | 1 | 1 | 0 | 0 | 1.40 V | 4.20 V | Setting prohibited | | | | | | | | | | | | | | | | | | | | | | | | | | | | | | | | | | | | | | | | | | | | | | | | | | | | | | | | | | | | | | | | | | | | | | | | | | | | | | | | | | | | | | | | | | | | | | | | | | | | | | | | | | | | | | | | | | | | | | | | | | | | | | | | | | | | | | | | | | | | | | |
| 0 | 1 | 1 | 0 | 1 | 1.45 V | 4.35 V | Setting prohibited | | | | | | | | | | | | | | | | | | | | | | | | | | | | | | | | | | | | | | | | | | | | | | | | | | | | | | | | | | | | | | | | | | | | | | | | | | | | | | | | | | | | | | | | | | | | | | | | | | | | | | | | | | | | | | | | | | | | | | | | | | | | | | | | | | | | | | | | | | | | | | |
| 0 | 1 | 1 | 1 | 0 | 1.50 V | 4.50 V | Setting prohibited | | | | | | | | | | | | | | | | | | | | | | | | | | | | | | | | | | | | | | | | | | | | | | | | | | | | | | | | | | | | | | | | | | | | | | | | | | | | | | | | | | | | | | | | | | | | | | | | | | | | | | | | | | | | | | | | | | | | | | | | | | | | | | | | | | | | | | | | | | | | | | |
| 0 | 1 | 1 | 1 | 1 | 1.55 V | 4.65 V | Setting prohibited | | | | | | | | | | | | | | | | | | | | | | | | | | | | | | | | | | | | | | | | | | | | | | | | | | | | | | | | | | | | | | | | | | | | | | | | | | | | | | | | | | | | | | | | | | | | | | | | | | | | | | | | | | | | | | | | | | | | | | | | | | | | | | | | | | | | | | | | | | | | | | |
| 1 | 0 | 0 | 0 | 0 | 1.60 V | 4.80 V | Setting prohibited | | | | | | | | | | | | | | | | | | | | | | | | | | | | | | | | | | | | | | | | | | | | | | | | | | | | | | | | | | | | | | | | | | | | | | | | | | | | | | | | | | | | | | | | | | | | | | | | | | | | | | | | | | | | | | | | | | | | | | | | | | | | | | | | | | | | | | | | | | | | | | |
| 1 | 0 | 0 | 0 | 1 | 1.65 V | 4.95 V | Setting prohibited | | | | | | | | | | | | | | | | | | | | | | | | | | | | | | | | | | | | | | | | | | | | | | | | | | | | | | | | | | | | | | | | | | | | | | | | | | | | | | | | | | | | | | | | | | | | | | | | | | | | | | | | | | | | | | | | | | | | | | | | | | | | | | | | | | | | | | | | | | | | | | |
| 1 | 0 | 0 | 1 | 0 | 1.70 V | 5.10 V | Setting prohibited | | | | | | | | | | | | | | | | | | | | | | | | | | | | | | | | | | | | | | | | | | | | | | | | | | | | | | | | | | | | | | | | | | | | | | | | | | | | | | | | | | | | | | | | | | | | | | | | | | | | | | | | | | | | | | | | | | | | | | | | | | | | | | | | | | | | | | | | | | | | | | |
| 1 | 0 | 0 | 1 | 1 | 1.75 V | 5.25 V | Setting prohibited | | | | | | | | | | | | | | | | | | | | | | | | | | | | | | | | | | | | | | | | | | | | | | | | | | | | | | | | | | | | | | | | | | | | | | | | | | | | | | | | | | | | | | | | | | | | | | | | | | | | | | | | | | | | | | | | | | | | | | | | | | | | | | | | | | | | | | | | | | | | | | |
| Other settings are prohibited. | | | | | | | | | | | | | | | | | | | | | | | | | | | | | | | | | | | | | | | | | | | | | | | | | | | | | | | | | | | | | | | | | | | | | | | | | | | | | | | | | | | | | | | | | | | | | | | | | | | | | | | | | | | | | | | | | | | | | | | | | | | | | | | | | | | | | | | | | | | | | | | | | | | | | |
| b7 to b5 | — | Reserved | These bits are read as 0. The write value should be 0. | R/W | | | | | | | | | | | | | | | | | | | | | | | | | | | | | | | | | | | | | | | | | | | | | | | | | | | | | | | | | | | | | | | | | | | | | | | | | | | | | | | | | | | | | | | | | | | | | | | | | | | | | | | | | | | | | | | | | | | | | | | | | | | | | | | | | | | | | | | | | | | | | | | | | |

- Note: The VLCD setting is valid only when the voltage boost circuit is operating.
- Note: Be sure to change the VLCD value after stopping the operation of the voltage boost circuit (VLCON = 0).
- Note: To use the internal voltage boosting method, specify the reference voltage by using the VLCD register (select the internal boosting method, by setting the LCDM0.MDSET[1:0] bits to 01b, if the default reference voltage is used), wait for the reference voltage setup time (minimum 5 ms), and then set VLCON to 1.
- Note: When using the external resistance division method and the capacitor split method, use the default value (04h) for the VLCD resistor.

45.3 LCD Display Data Registers

The LCD display data registers are mapped as shown in [Table 45.7](#) and [Table 45.8](#). The contents displayed on the LCD can be changed by changing the contents of the LCD display data registers.

Table 45.7 Relationship between LCD Display Data Register contents and segment/common outputs
Other than 8-time-slice (static, 2-time slice, 3-time slice, and 4-time slice)

| Register name | Address | b7 | b6 | b5 | b4 | b3 | b2 | b1 | b0 | 100-pin | 64-pin |
|---------------|------------|------------------------|------|------|------|------------------------|------|------|------|---------|--------|
| | | COM7 | COM6 | COM5 | COM4 | COM3 | COM2 | COM1 | COM0 | | |
| SEG00 | 4008 2100h | SEG00 (B-pattern area) | | | | SEG00 (A-pattern area) | | | | A | A |
| SEG01 | 4008 2101h | SEG01 (B-pattern area) | | | | SEG01 (A-pattern area) | | | | A | A |
| SEG02 | 4008 2102h | SEG02 (B-pattern area) | | | | SEG02 (A-pattern area) | | | | A | A |
| SEG03 | 4008 2103h | SEG03 (B-pattern area) | | | | SEG03 (A-pattern area) | | | | A | A |
| SEG04 | 4008 2104h | SEG04 (B-pattern area) | | | | SEG04 (A-pattern area) | | | | A | A |
| SEG05 | 4008 2105h | SEG05 (B-pattern area) | | | | SEG05 (A-pattern area) | | | | A | A |
| SEG06 | 4008 2106h | SEG06 (B-pattern area) | | | | SEG06 (A-pattern area) | | | | A | A |
| SEG07 | 4008 2107h | SEG07 (B-pattern area) | | | | SEG07 (A-pattern area) | | | | A | A |
| SEG08 | 4008 2108h | SEG08 (B-pattern area) | | | | SEG08 (A-pattern area) | | | | A | A |
| SEG09 | 4008 2109h | SEG09 (B-pattern area) | | | | SEG09 (A-pattern area) | | | | A | A |
| SEG10 | 4008 210Ah | SEG10 (B-pattern area) | | | | SEG10 (A-pattern area) | | | | A | A |
| SEG11 | 4008 210Bh | SEG11 (B-pattern area) | | | | SEG11 (A-pattern area) | | | | A | A |
| SEG12 | 4008 210Ch | SEG12 (B-pattern area) | | | | SEG12 (A-pattern area) | | | | A | A |
| SEG13 | 4008 210Dh | SEG13 (B-pattern area) | | | | SEG13 (A-pattern area) | | | | A | A |
| SEG14 | 4008 210Eh | SEG14 (B-pattern area) | | | | SEG14 (A-pattern area) | | | | A | A |
| SEG15 | 4008 210Fh | SEG15 (B-pattern area) | | | | SEG15 (A-pattern area) | | | | A | N/A |
| SEG16 | 4008 2110h | SEG16 (B-pattern area) | | | | SEG16 (A-pattern area) | | | | A | N/A |
| SEG17 | 4008 2111h | SEG17 (B-pattern area) | | | | SEG17 (A-pattern area) | | | | A | N/A |
| SEG18 | 4008 2112h | SEG18 (B-pattern area) | | | | SEG18 (A-pattern area) | | | | A | N/A |
| SEG19 | 4008 2113h | SEG19 (B-pattern area) | | | | SEG19 (A-pattern area) | | | | A | N/A |
| SEG20 | 4008 2114h | SEG20 (B-pattern area) | | | | SEG20 (A-pattern area) | | | | A | A |
| SEG21 | 4008 2115h | SEG21 (B-pattern area) | | | | SEG21 (A-pattern area) | | | | A | N/A |
| SEG22 | 4008 2116h | SEG22 (B-pattern area) | | | | SEG22 (A-pattern area) | | | | A | N/A |
| SEG23 | 4008 2117h | SEG23 (B-pattern area) | | | | SEG23 (A-pattern area) | | | | A | A |
| SEG24 | 4008 2118h | SEG24 (B-pattern area) | | | | SEG24 (A-pattern area) | | | | A | A |
| SEG25 | 4008 2119h | SEG25 (B-pattern area) | | | | SEG25 (A-pattern area) | | | | A | N/A |
| SEG26 | 4008 211Ah | SEG26 (B-pattern area) | | | | SEG26 (A-pattern area) | | | | A | N/A |
| SEG27 | 4008 211Bh | SEG27 (B-pattern area) | | | | SEG27 (A-pattern area) | | | | A | N/A |
| SEG28 | 4008 211Ch | SEG28 (B-pattern area) | | | | SEG28 (A-pattern area) | | | | A | N/A |
| SEG29 | 4008 211Dh | SEG29 (B-pattern area) | | | | SEG29 (A-pattern area) | | | | A | N/A |
| SEG30 | 4008 211Eh | SEG30 (B-pattern area) | | | | SEG30 (A-pattern area) | | | | A | N/A |
| SEG31 | 4008 211Fh | SEG31 (B-pattern area) | | | | SEG31 (A-pattern area) | | | | A | N/A |
| SEG32 | 4008 2120h | SEG32 (B-pattern area) | | | | SEG32 (A-pattern area) | | | | A | N/A |
| SEG33 | 4008 2121h | SEG33 (B-pattern area) | | | | SEG33 (A-pattern area) | | | | A | N/A |
| SEG34 | 4008 2122h | SEG34 (B-pattern area) | | | | SEG34 (A-pattern area) | | | | A | A |
| SEG35 | 4008 2123h | SEG35 (B-pattern area) | | | | SEG35 (A-pattern area) | | | | A | A |
| SEG36 | 4008 2124h | SEG36 (B-pattern area) | | | | SEG36 (A-pattern area) | | | | A | A |
| SEG37 | 4008 2125h | SEG37 (B-pattern area) | | | | SEG37 (A-pattern area) | | | | A | N/A |

A: Available, N/A: Not available

Table 45.8 Relationship between LCD Display Data Register contents and segment/common outputs (1 of 2)
8-time-slice

| Register name | Address | b7 | b6 | b5 | b4 | b3 | b2 | b1 | b0 | 100-pin | 64-pin |
|---------------|------------|---------|------|------|------|------|------|------|------|---------|--------|
| | | COM7 | COM6 | COM5 | COM4 | COM3 | COM2 | COM1 | COM0 | | |
| SEG00 | 4008 2100h | SEG00*1 | | | | | | | | A | A |

Table 45.8 Relationship between LCD Display Data Register contents and segment/common outputs (2 of 2)
8-time-slice

| Register name | Address | b7 | b6 | b5 | b4 | b3 | b2 | b1 | b0 | 100-pin | 64-pin |
|---------------|------------|---------|------|------|------|------|------|------|------|---------|--------|
| | | COM7 | COM6 | COM5 | COM4 | COM3 | COM2 | COM1 | COM0 | | |
| SEG01 | 4008 2101h | SEG01*1 | | | | | | | | A | A |
| SEG02 | 4008 2102h | SEG02*1 | | | | | | | | A | A |
| SEG03 | 4008 2103h | SEG03*1 | | | | | | | | A | A |
| SEG04 | 4008 2104h | SEG04 | | | | | | | | A | A |
| SEG05 | 4008 2105h | SEG05 | | | | | | | | A | A |
| SEG06 | 4008 2106h | SEG06 | | | | | | | | A | A |
| SEG07 | 4008 2107h | SEG07 | | | | | | | | A | A |
| SEG08 | 4008 2108h | SEG08 | | | | | | | | A | A |
| SEG09 | 4008 2109h | SEG09 | | | | | | | | A | A |
| SEG10 | 4008 210Ah | SEG10 | | | | | | | | A | A |
| SEG11 | 4008 210Bh | SEG11 | | | | | | | | A | A |
| SEG12 | 4008 210Ch | SEG12 | | | | | | | | A | A |
| SEG13 | 4008 210Dh | SEG13 | | | | | | | | A | A |
| SEG14 | 4008 210Eh | SEG14 | | | | | | | | A | A |
| SEG15 | 4008 210Fh | SEG15 | | | | | | | | A | N/A |
| SEG16 | 4008 2110h | SEG16 | | | | | | | | A | N/A |
| SEG17 | 4008 2111h | SEG17 | | | | | | | | A | N/A |
| SEG18 | 4008 2112h | SEG18 | | | | | | | | A | N/A |
| SEG19 | 4008 2113h | SEG19 | | | | | | | | A | N/A |
| SEG20 | 4008 2114h | SEG20 | | | | | | | | A | A |
| SEG21 | 4008 2115h | SEG21 | | | | | | | | A | N/A |
| SEG22 | 4008 2116h | SEG22 | | | | | | | | A | N/A |
| SEG23 | 4008 2117h | SEG23 | | | | | | | | A | A |
| SEG24 | 4008 2118h | SEG24 | | | | | | | | A | A |
| SEG25 | 4008 2119h | SEG25 | | | | | | | | A | N/A |
| SEG26 | 4008 211Ah | SEG26 | | | | | | | | A | N/A |
| SEG27 | 4008 211Bh | SEG27 | | | | | | | | A | N/A |
| SEG28 | 4008 211Ch | SEG28 | | | | | | | | A | N/A |
| SEG29 | 4008 211Dh | SEG29 | | | | | | | | A | N/A |
| SEG30 | 4008 211Eh | SEG30 | | | | | | | | A | N/A |
| SEG31 | 4008 211Fh | SEG31 | | | | | | | | A | N/A |
| SEG32 | 4008 2120h | SEG32 | | | | | | | | A | N/A |
| SEG33 | 4008 2121h | SEG33 | | | | | | | | A | N/A |
| SEG34 | 4008 2122h | SEG34 | | | | | | | | A | A |
| SEG35 | 4008 2123h | SEG35 | | | | | | | | A | A |
| SEG36 | 4008 2124h | SEG36 | | | | | | | | A | A |
| SEG37 | 4008 2125h | SEG37 | | | | | | | | A | N/A |

A: Available, N/A: Not available

Note: All LCD display data registers (SEG00 to SEG37) have an initial value of 0h, and all bits that are read/write.

Note 1. The COM4 to COM7 pins and SEG00 to SEG03 pins are used alternatively. For more information, see [section 19, I/O Ports](#).

When the number of time slices is static, two, three, or four, the lower four bits and upper four bits of each address of the LCD display data register become an A-pattern area and a B-pattern area, respectively.

The correspondence between A-pattern area data and COM signals is as follows:

bit [0] ↔ COM0, bit [1] ↔ COM1, bit [2] ↔ COM2, and bit [3] ↔ COM3.

The correspondence between B-pattern area data and COM signals is as follows:

bit [4] ↔ COM0, bit [5] ↔ COM1, bit [6] ↔ COM2, and bit [7] ↔ COM3.

A-pattern area data is displayed on the LCD panel when $BLON = LCDSEL = 0$ is selected, and B-pattern area data is displayed on the LCD panel when $BLON = 0$ and $LCDSEL = 1$ is selected.

45.4 Selection of LCD Display Data Register

When the number of time slices is static, two, three, or four, the LCD display data register can be selected from the following types, based on the $BLON$ and $LCDSEL$ bit settings:

- Displaying an A-pattern area data (lower 4 bits of LCD display data register)
- Displaying a B-pattern area data (upper 4 bits of LCD display data register)
- Alternately displaying an A-pattern and B-pattern area data (blinking display associated with the periodic interrupt timing of the Realtime Clock (RTC)).

Note: If the normal liquid crystal waveform is displayed when the number of time slices is eight, LCD display data registers (A-pattern, B-pattern, or blinking display) cannot be selected.

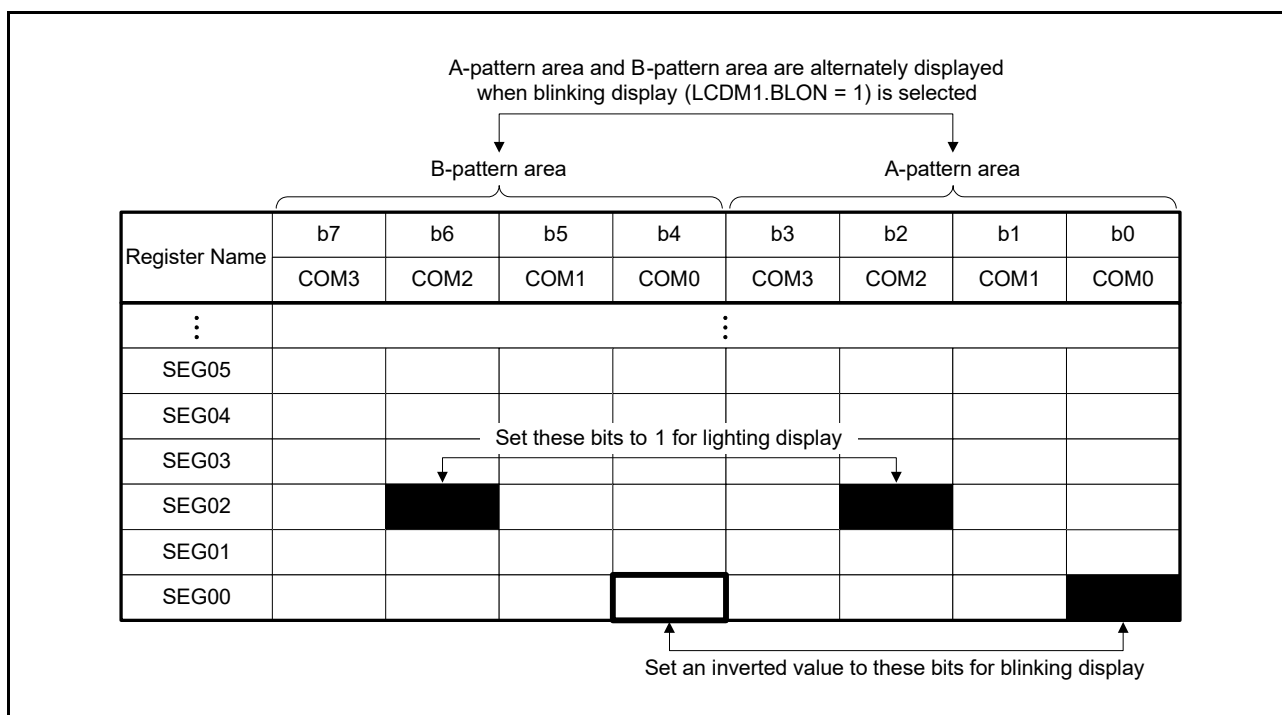


Figure 45.2 Example for setting LCD display data registers when the pattern is changed

45.4.1 A-Pattern Area and B-pattern Area Data Display

When both $BLON$ and $LCDSEL$ are 0, A-pattern area (lower four bits of the LCD display data register) data is output as the LCD display register.

When $BLON$ is 0 and $LCDSEL$ is 1, B-pattern area (upper four bits of the LCD display data register) data is output as the LCD display register.

For details on the display area, see [section 45.3, LCD Display Data Registers](#).

45.4.2 Blinking Display (Alternately Displaying A-Pattern and B-Pattern Area Data)

When $BLON$ is set to 1, A-pattern and B-pattern area data are alternately displayed, according to the constant-period interrupt timing of the Realtime Clock (RTC). See [section 24, Realtime Clock \(RTC\)](#) for information about the setting of the RTC constant-period interrupt (0.5 s setting only) timing.

To use the LCD blinking display feature, set inverted values to the B-pattern area bits associated with the A-pattern area bits. For example, set bit [0] of $SEG00$ register to 1, and set bit [4] of $SEG00$ register to 0 to use the blinking display. When not using the blinking display feature, set the same values to both the A-pattern and B-pattern area bits. For example, set bit [2] of $SEG02$ register to 1, and set bit [6] of $SEG02$ register to 1 for lighting display. For details on the

display area, see [section 45.3, LCD Display Data Registers](#).

[Figure 45.3](#) and [Figure 45.4](#) show the timing operation of display switching.

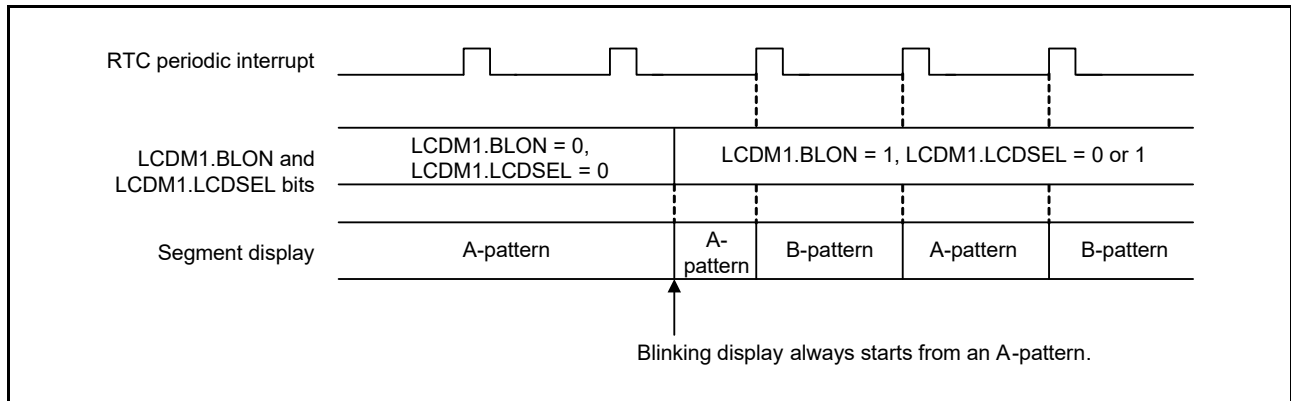


Figure 45.3 Switching operation from A-pattern display to blinking display

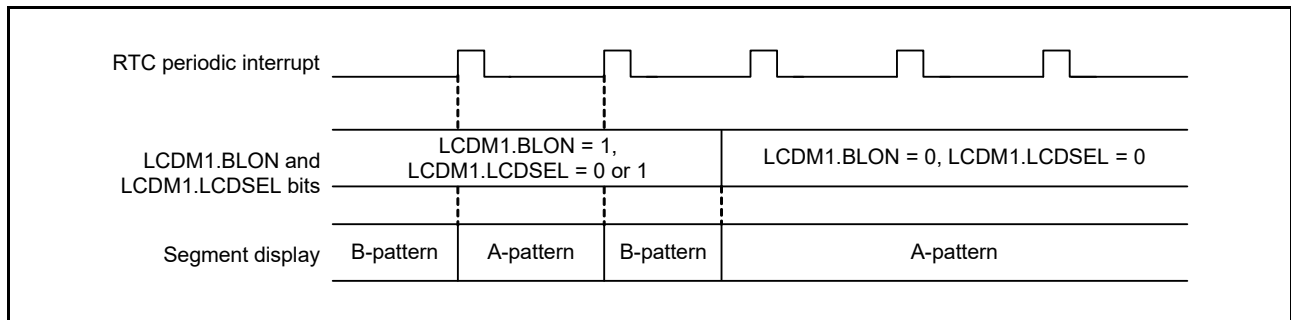


Figure 45.4 Switching operation from blinking display to A-pattern display

45.5 Setting LCD Controller/Driver

To operate the LCD controller/driver, follow procedures (1) to (3) in this section. Otherwise, LCD operation is not guaranteed.

(1) External resistance division method during normal liquid crystal waveform display

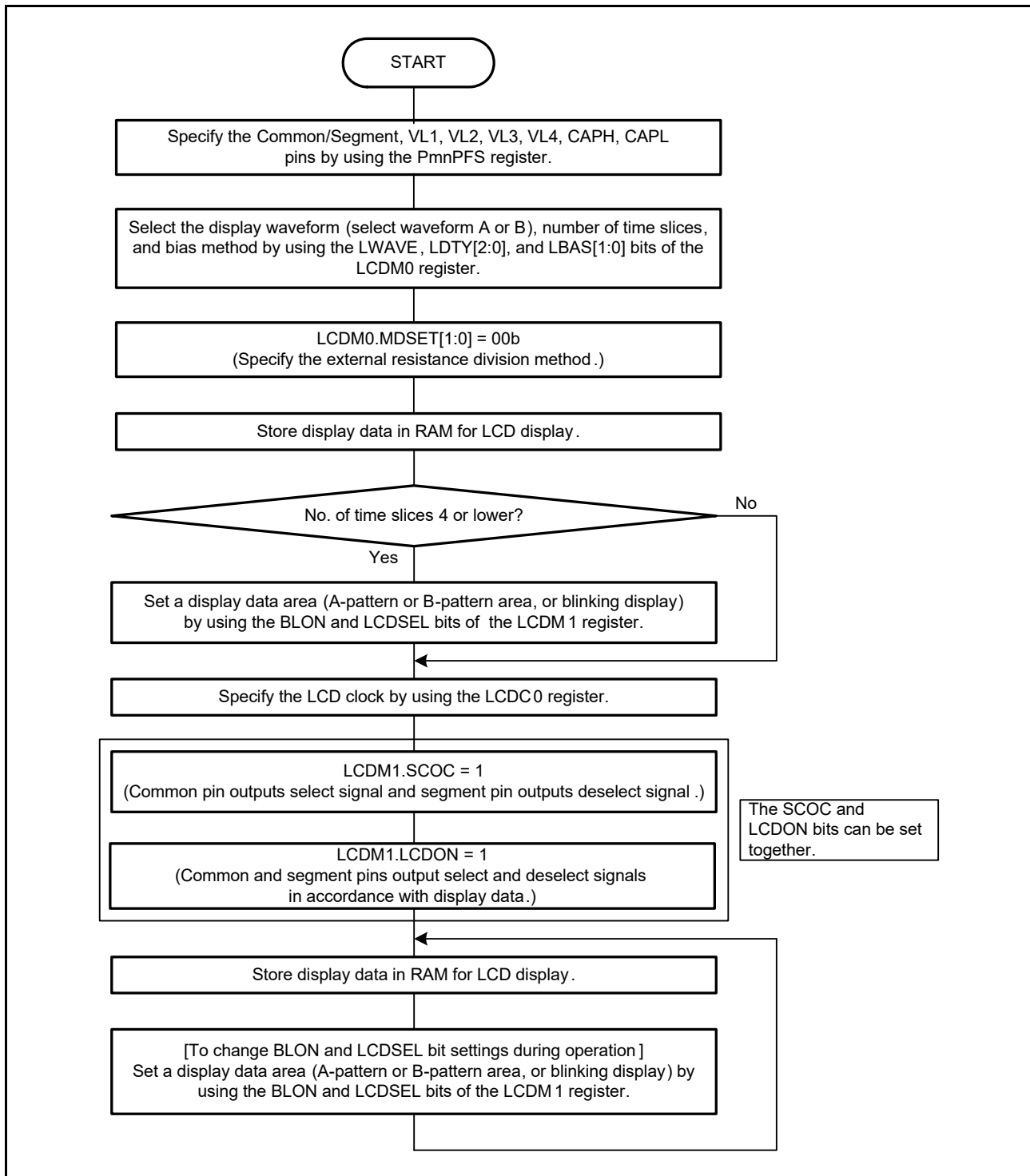


Figure 45.5 Setting procedure for external resistance division method during normal liquid crystal waveform display

(2) Internal voltage boosting method

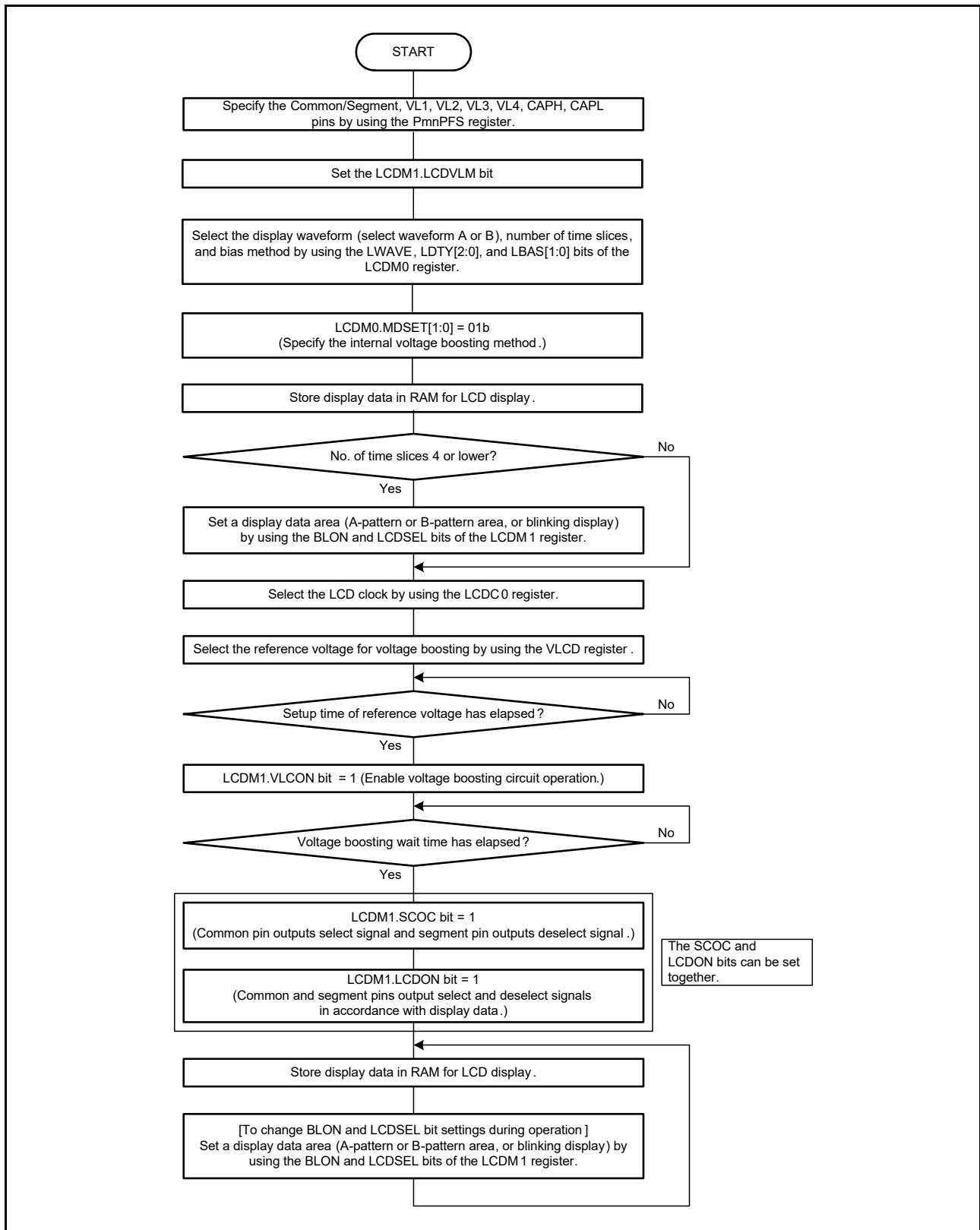


Figure 45.6 Setting procedure for internal voltage boosting method during normal liquid crystal waveform display

(3) Capacitor split method

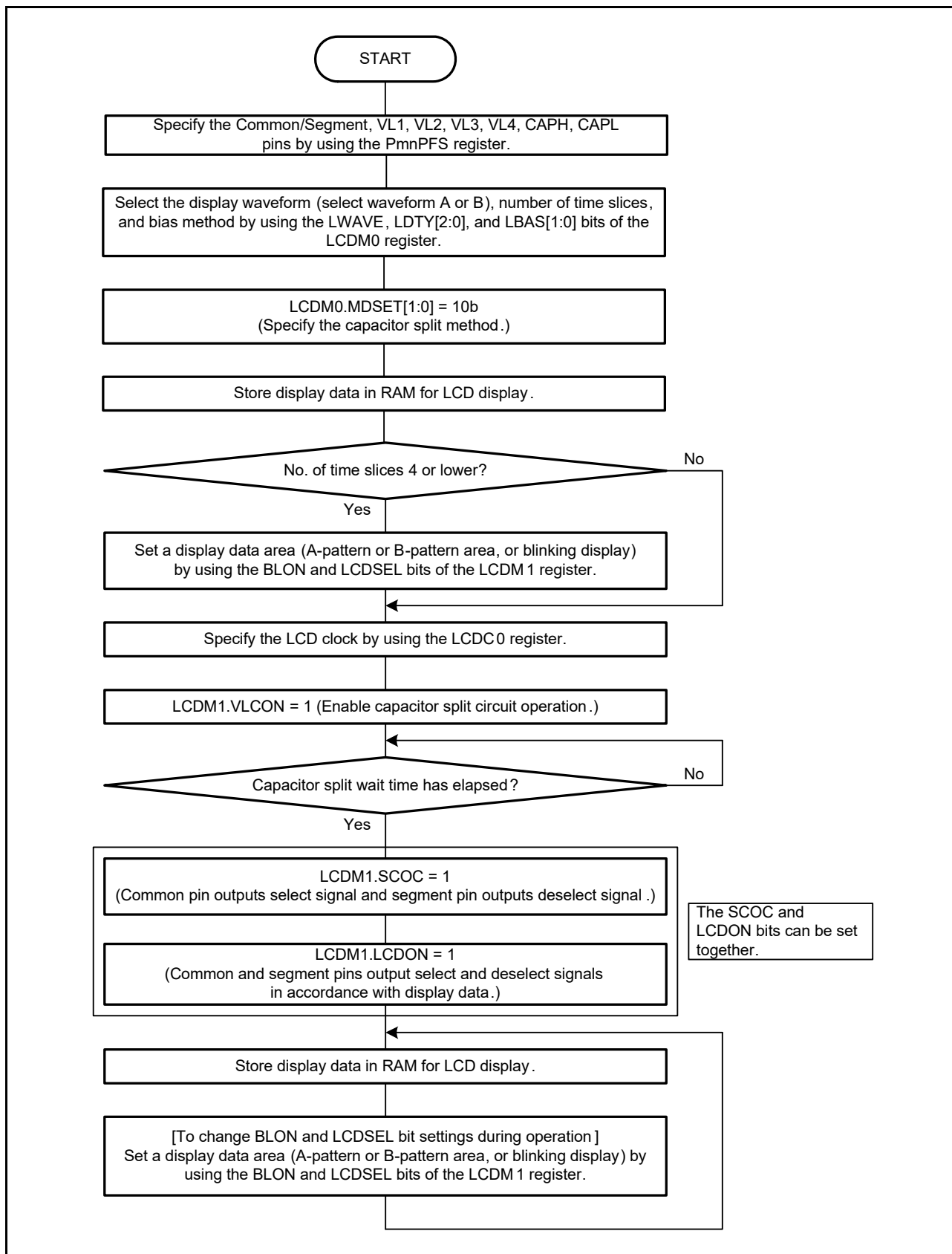


Figure 45.7 Setting procedure for capacitor split method during normal liquid crystal waveform display

45.6 Operation Stop Procedure

To stop the operation of the LCD, follow the steps shown in [Figure 45.8](#).

The LCD stops operating when the LCDM1.LCDON and LCDM1.SCOC bits are set to 0.

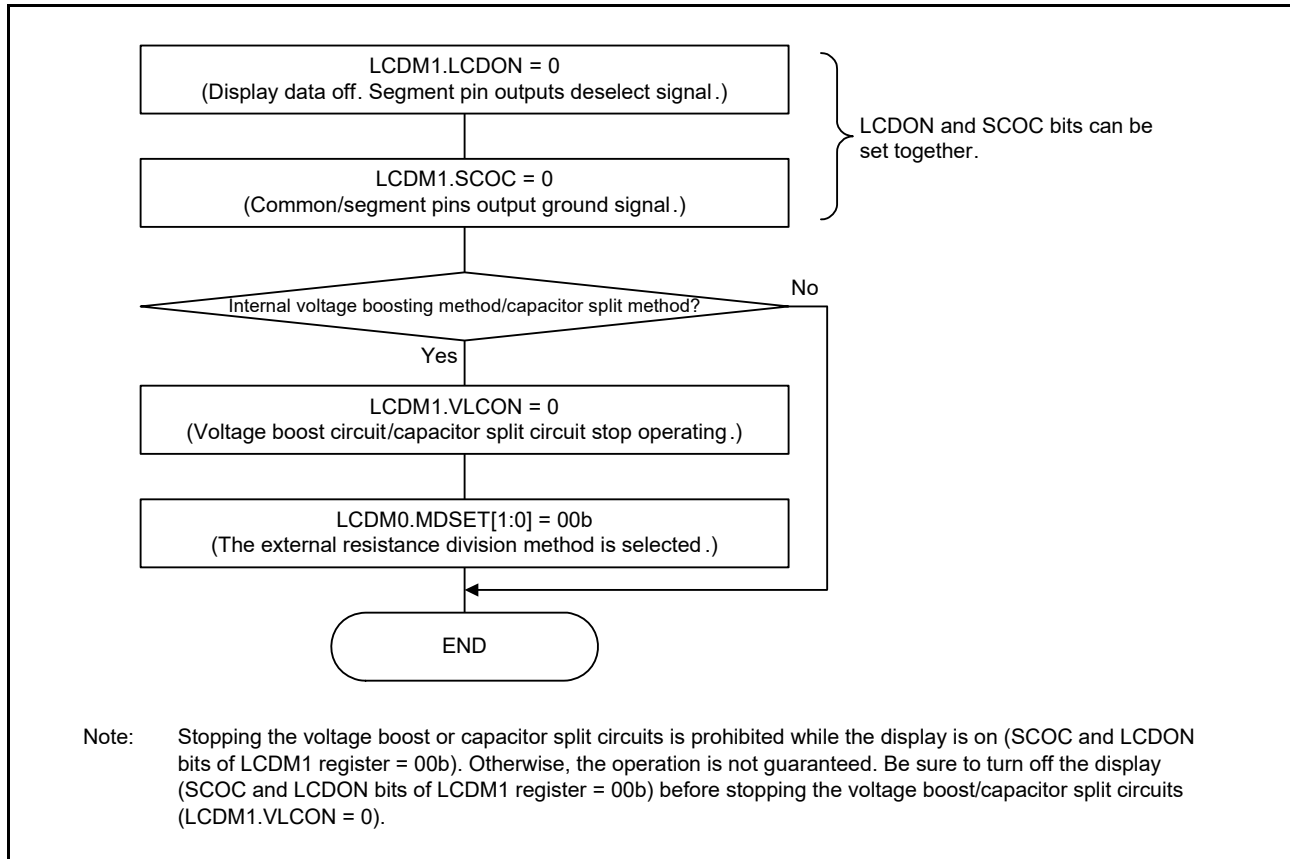


Figure 45.8 Operation stop procedure during normal liquid crystal waveform (A or B) display

45.7 Supplying LCD Drive Voltages VL1, VL2, VL3, and VL4

The power supply voltages for the LCD driver can be produced through external resistance division, internal voltage boosting, or capacitor split.

45.7.1 External Resistance Division Method

[Figure 45.9](#) and [Figure 45.10](#) show examples of the LCD drive power supply connection, associated with each bias method.

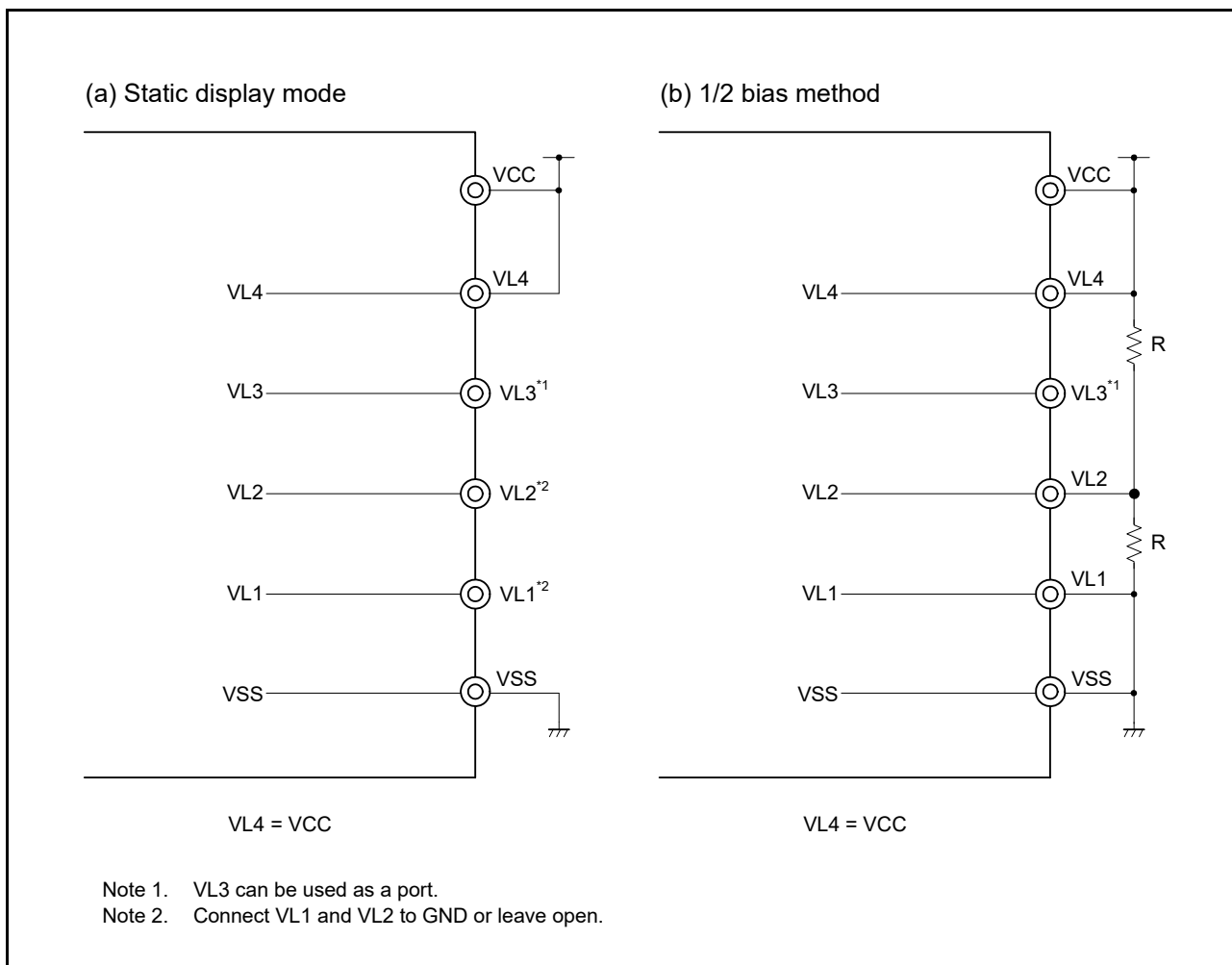


Figure 45.9 Examples of LCD drive power connections using the external resistance division method (1 of 2)

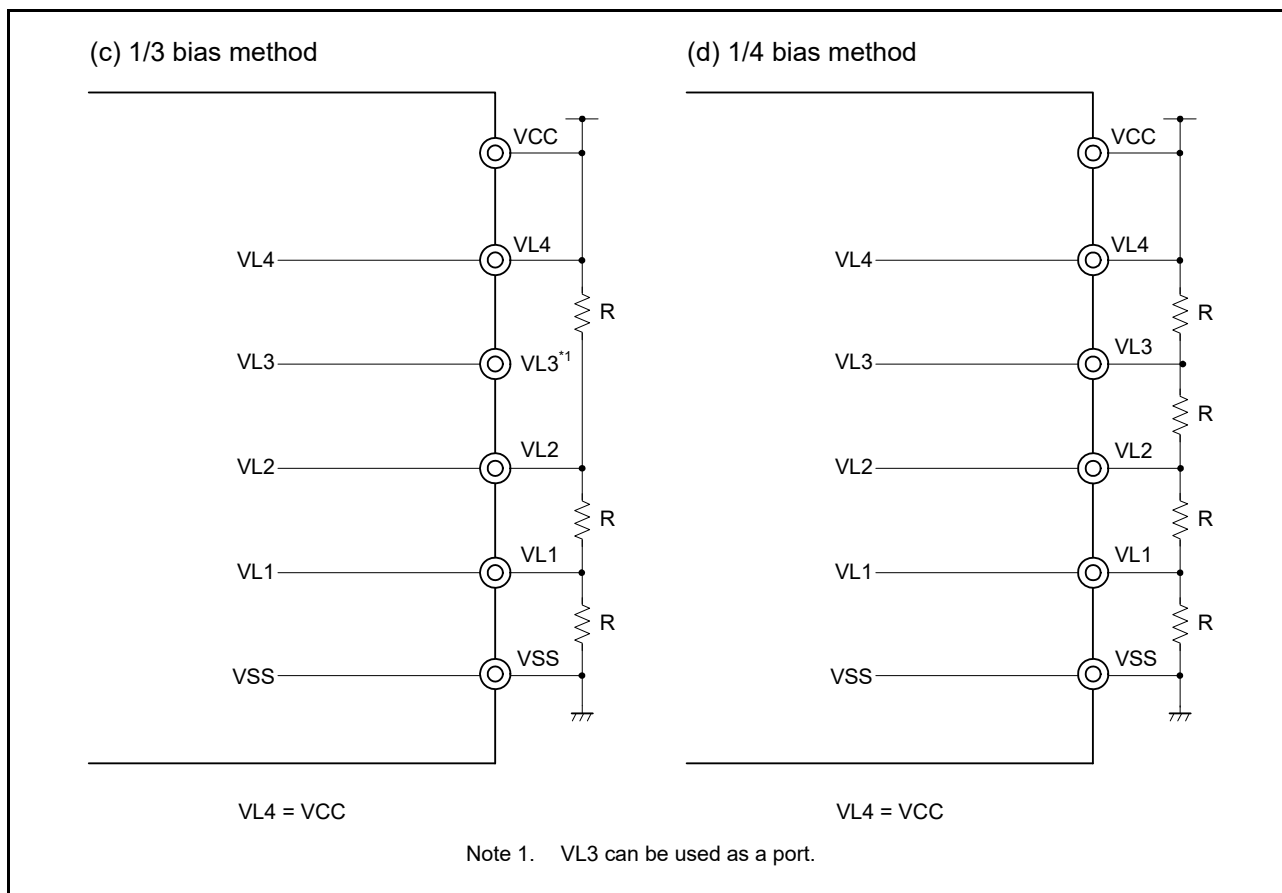


Figure 45.10 Examples of LCD drive power connections using the external resistance division method (2 of 2)

Note: The reference resistance R value for external resistance division is 10 kΩ to 1 MΩ. In addition, to stabilize the voltage at the VL1 to VL4 pins, connect a capacitor between each pin VL1 to VL4 and the GND pin as needed. The reference capacitance is about 0.47 μF, but it depends on the LCD panel used, the number of segment pins, the number of common pins, the frame frequency, and the operating environment. Thoroughly evaluate these values in accordance with your system and adjust the capacitance.

45.7.2 Internal Voltage Boosting Method

The MCU contains an internal voltage boost circuit for generating LCD drive power supplies. The internal voltage boost circuit and external capacitors (0.47 μF ± 30%) are used to generate an LCD drive voltage. Only 1/3 bias mode or 1/4 bias mode can be set for the internal voltage boosting method.

The internal voltage boost circuit can supply a constant voltage, regardless of changes in VCC, because it is a power supply separate from the main unit. In addition, the contrast can be adjusted using the LCD Boost Level Control Register (VLCD).

Table 45.9 LCD drive voltages using the internal voltage boosting method

| LCD drive voltage pin | 1/3 bias method | 1/4 bias method |
|-----------------------|-----------------------|-----------------------|
| VL4 | 3 × VL1 | 4 × VL1 |
| VL3 | - | 3 × VL1 |
| VL2 | 2 × VL1 | 2 × VL1 |
| VL1 | LCD reference voltage | LCD reference voltage |

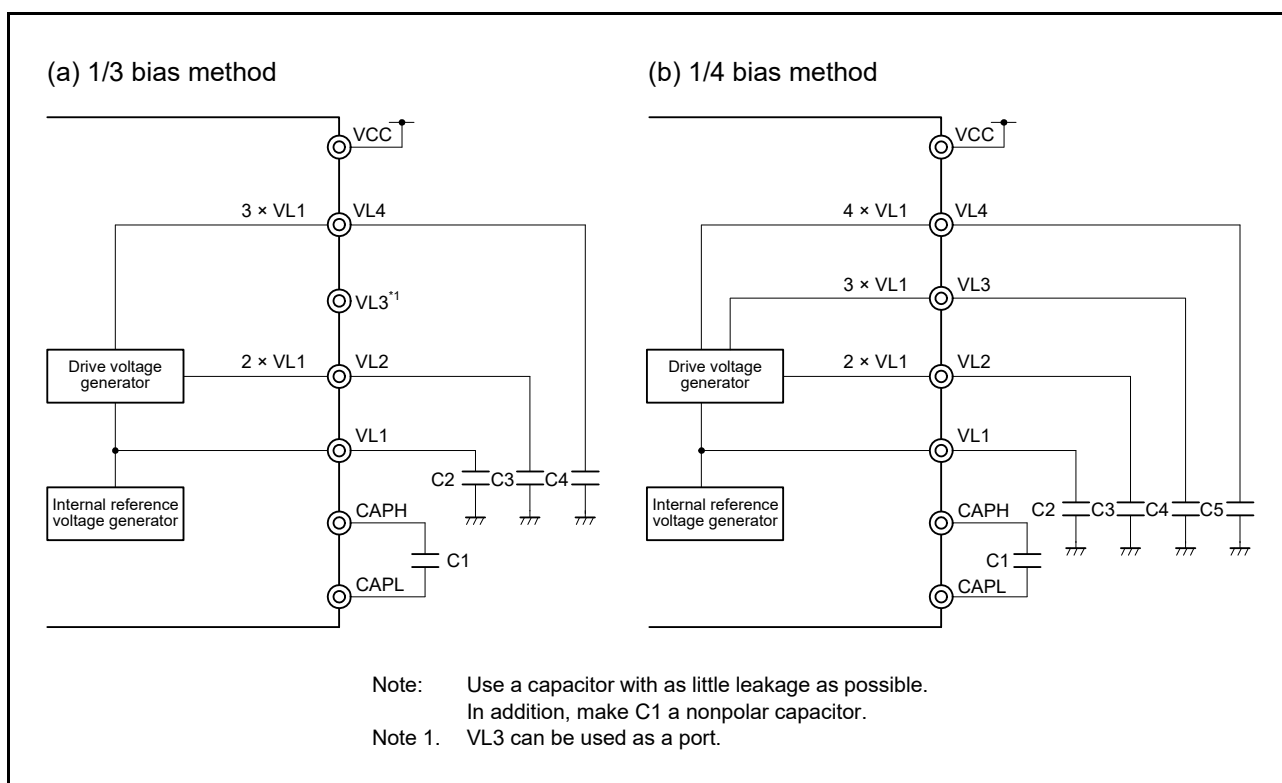


Figure 45.11 Examples of LCD drive power connections using internal voltage boosting method

45.7.3 Capacitor Split Method

The MCU contains an internal voltage reduction circuit for generating LCD drive power supplies. The internal voltage reduction circuit and external capacitors ($0.47 \mu\text{F} \pm 30\%$) are used to generate an LCD drive voltage. Only 1/3 bias mode can be set for the capacitor split method.

Unlike the external resistance division method, the capacitor split method does not require continuous current flow, and therefore the current consumption can be reduced.

Table 45.10 LCD drive voltages using capacitor split method

| LCD drive voltage pin | 1/3 bias method |
|-----------------------|-------------------------|
| VL4 | VCC |
| VL3 | - |
| VL2 | $2/3 \times \text{VL4}$ |
| VL1 | $1/3 \times \text{VL4}$ |

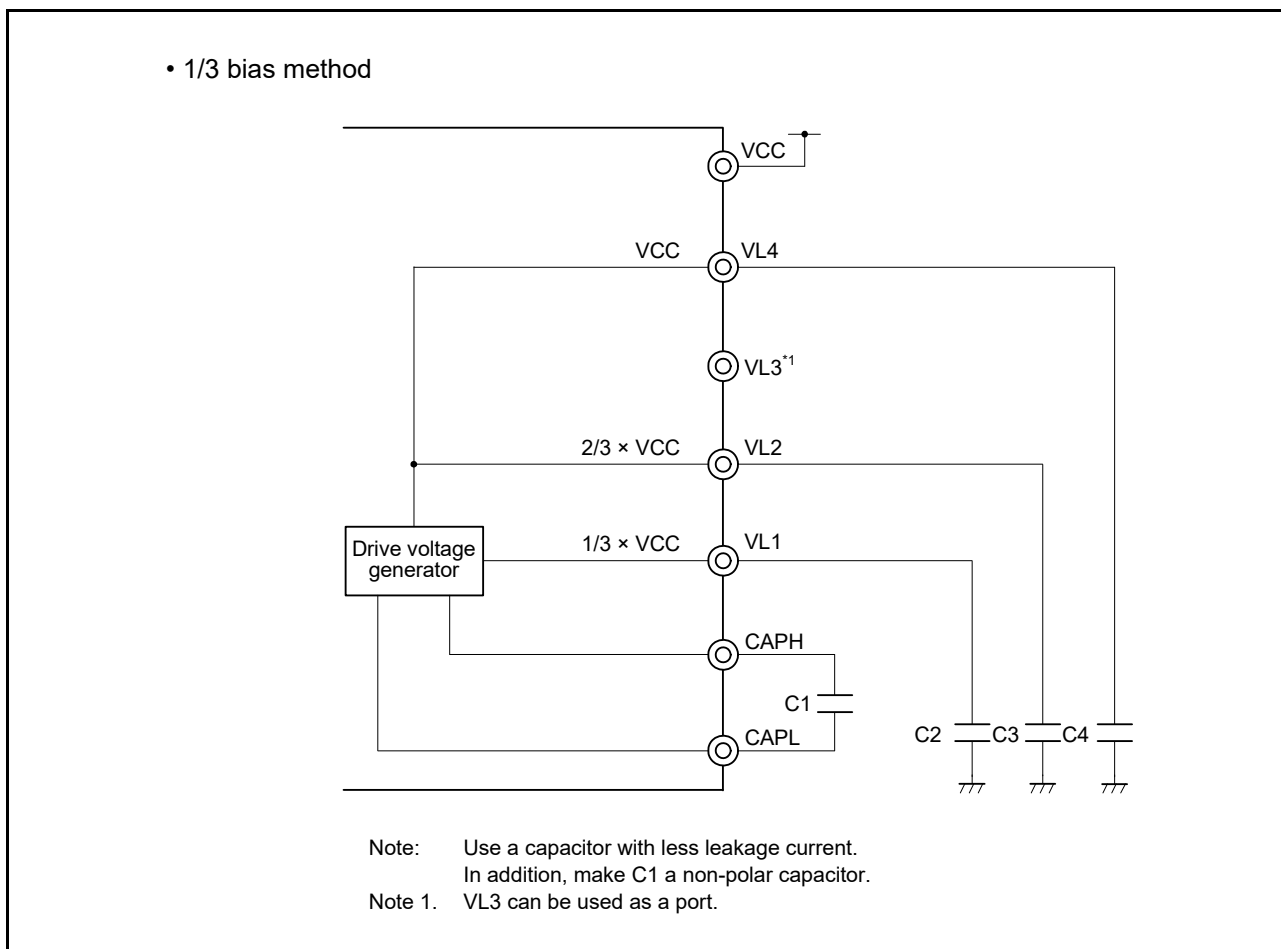


Figure 45.12 Examples of LCD drive power connections using capacitor split method

45.8 Common and Segment Signals

Each pixel of an LCD panel turns on when the potential difference between the corresponding common and segment signals becomes higher than a specific voltage (LCD drive voltage, VLCD). The pixels turn off when the potential difference becomes lower than VLCD.

Applying DC voltage to the common and segment signals of an LCD panel causes deterioration. To avoid this problem, the SLCDC is driven by AC voltage.

(1) Common signals

Each common signal is selected sequentially according to a specified number of time slices listed in Table 45.11. In the static display mode, the same signal is output to COM0 to COM3.

In the two-time-slice mode, leave the COM2 and COM3 pins open. In the three-time-slice mode, leave the COM3 pin open.

Use the COM4 to COM7 pins as open or segment pins except when operating in eight-time-slice mode.

Table 45.11 COM signal (1 of 2)

| Number of time slices | COM0 | COM1 | COM2 | COM3 | COM4 | COM5 | COM6 | COM7 |
|-----------------------|------|------|------|------|------|------|------|------|
| Static display mode | → | → | → | → | *1 | *1 | *1 | *1 |
| Two-time-slice mode | → | → | Open | Open | *1 | *1 | *1 | *1 |
| Three-time-slice mode | → | → | → | Open | *1 | *1 | *1 | *1 |
| Four-time-slice mode | → | → | → | → | *1 | *1 | *1 | *1 |

Table 45.11 COM signal (2 of 2)

| Number of time slices | COM0 | COM1 | COM2 | COM3 | COM4 | COM5 | COM6 | COM7 |
|-----------------------|------|------|------|------|------|------|------|------|
| Eight-time-slice mode | ↔ | | | | | | | |

Note 1. Use the pins as open or segment pins.

(2) Segment signals

The segment signals correspond to the LCD display data register (see [section 45.3, LCD Display Data Registers](#)).

When the number of time slices is eight, bit [0] to bit [7] of each display data register are read in synchronization with COM0 to COM7, respectively. If a bit is 1, it is converted to the select voltage, and if it is 0, it is converted to the deselect voltage. The conversion results are output to the segment pins.

When the number of time slices is not eight, bit [0] to bit [3] of each byte in A-pattern area are read in synchronization with COM0 to COM3, and bit [4] to bit [7] of each byte in B-pattern area are read in synchronization with COM0 to COM3, respectively. If a bit is 1, it is converted to the select voltage, and if it is 0, it is converted to the deselect voltage. The conversion results are output to the segment pins.

Check what combination of front-surface electrodes (associated with the segment signals) and rear-surface electrodes (associated with the common signals) forms display patterns in the LCD display data register, and write the bit data associated with the desired display pattern on a one-to-one basis.

(3) Output waveforms of common and segment signals

The voltages listed in [Table 45.12](#) are output as common and segment signals.

When both common and segment signals are at the select voltage, display on-voltage is \pm VLCD. Other combinations of the signals correspond to display off-voltage.

Table 45.12 LCD drive voltage

Static display mode

| | | Segment signal | |
|---------------|---------|---------------------|-----------------------|
| | | Select signal level | Deselect signal level |
| | | VSS/VL4 | VL4/VSS |
| Common signal | VL4/VSS | -VLCD/+VLCD | 0 V/0 V |

1/2 bias method

| | | Segment signal | |
|-----------------------|---------|--------------------------------------|--------------------------------------|
| | | Select signal level | Deselect signal level |
| | | VSS/VL4 | VL4/VSS |
| Select Signal Level | VL4/VSS | -VLCD/+VLCD | 0 V/0 V |
| Deselect Signal Level | VL2 | $-\frac{1}{2}VLCD/+ \frac{1}{2}VLCD$ | $+\frac{1}{2}VLCD/- \frac{1}{2}VLCD$ |

1/3 bias method (waveform A or B)

| | | Segment signal | |
|-----------------------|---------|--------------------------------------|--------------------------------------|
| | | Select signal level | Deselect signal level |
| | | VSS/VL4 | VL2/VL1 |
| Select Signal Level | VL4/VSS | -VLCD/+VLCD | $-\frac{1}{3}VLCD/+ \frac{1}{3}VLCD$ |
| Deselect Signal Level | VL1/VL2 | $-\frac{1}{3}VLCD/+ \frac{1}{3}VLCD$ | $+\frac{1}{3}VLCD/- \frac{1}{3}VLCD$ |

1/4 bias method (waveform A or B)

| Common signal | | Segment signal | |
|-----------------------|---------|--------------------------------------|--------------------------------------|
| | | Select signal level | Deselect signal level |
| | | VSS/VL4 | VL2 |
| Select Signal Level | VL4/VSS | $-VLCD/+VLCD$ | $-\frac{1}{2}VLCD/+ \frac{1}{2}VLCD$ |
| Deselect Signal Level | VL1/VL3 | $-\frac{1}{4}VLCD/+ \frac{1}{4}VLCD$ | $+\frac{1}{4}VLCD/- \frac{1}{4}VLCD$ |

Figure 45.13 and Figure 45.14 show the common signal waveforms. Figure 45.15 to Figure 45.17 show the voltages and phases of the common and segment signals.

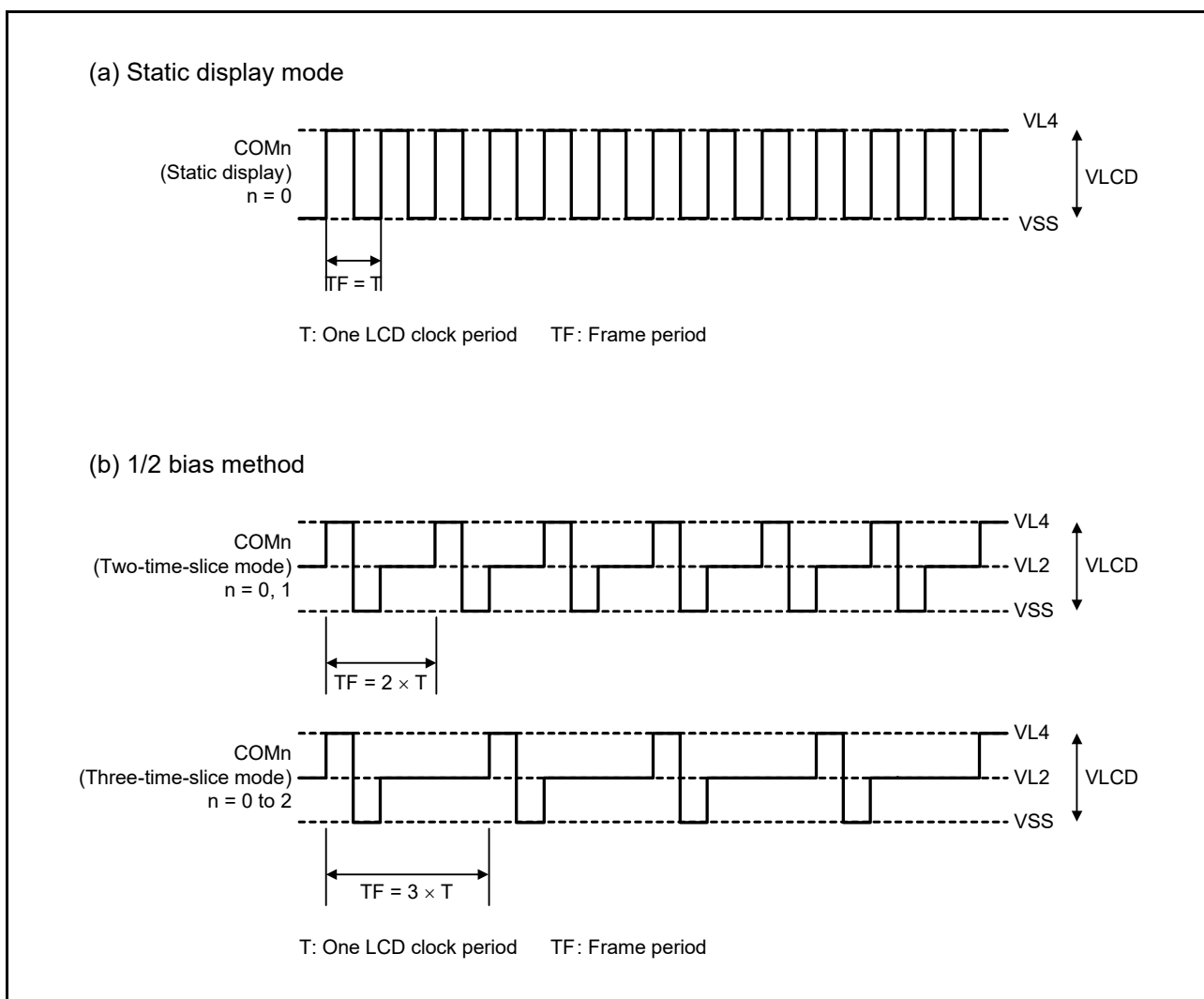


Figure 45.13 Common signal waveforms (1 of 2)

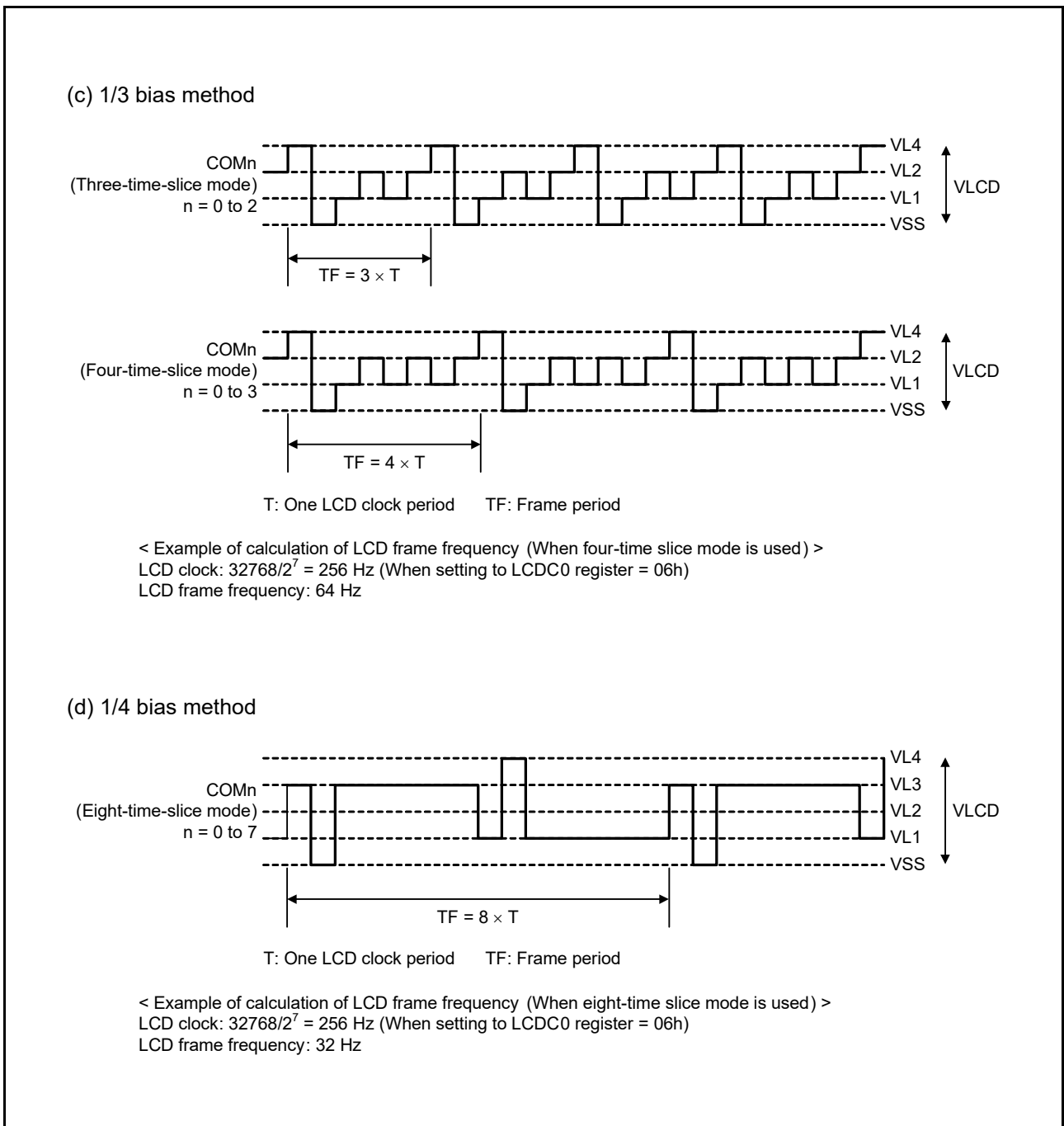


Figure 45.14 Common signal waveforms (2 of 2)

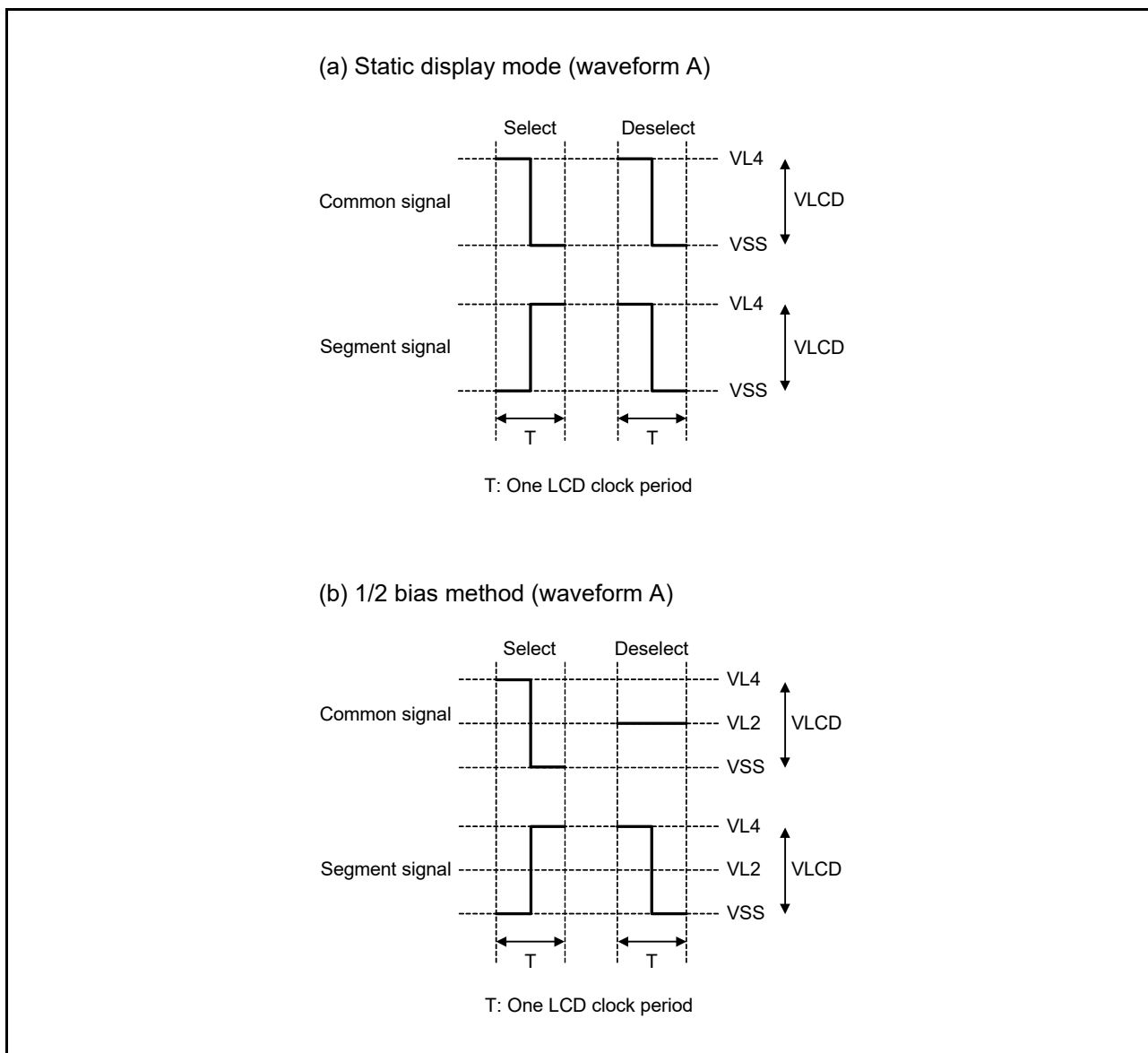


Figure 45.15 Voltages and phases of common and segment signals (1 of 3)

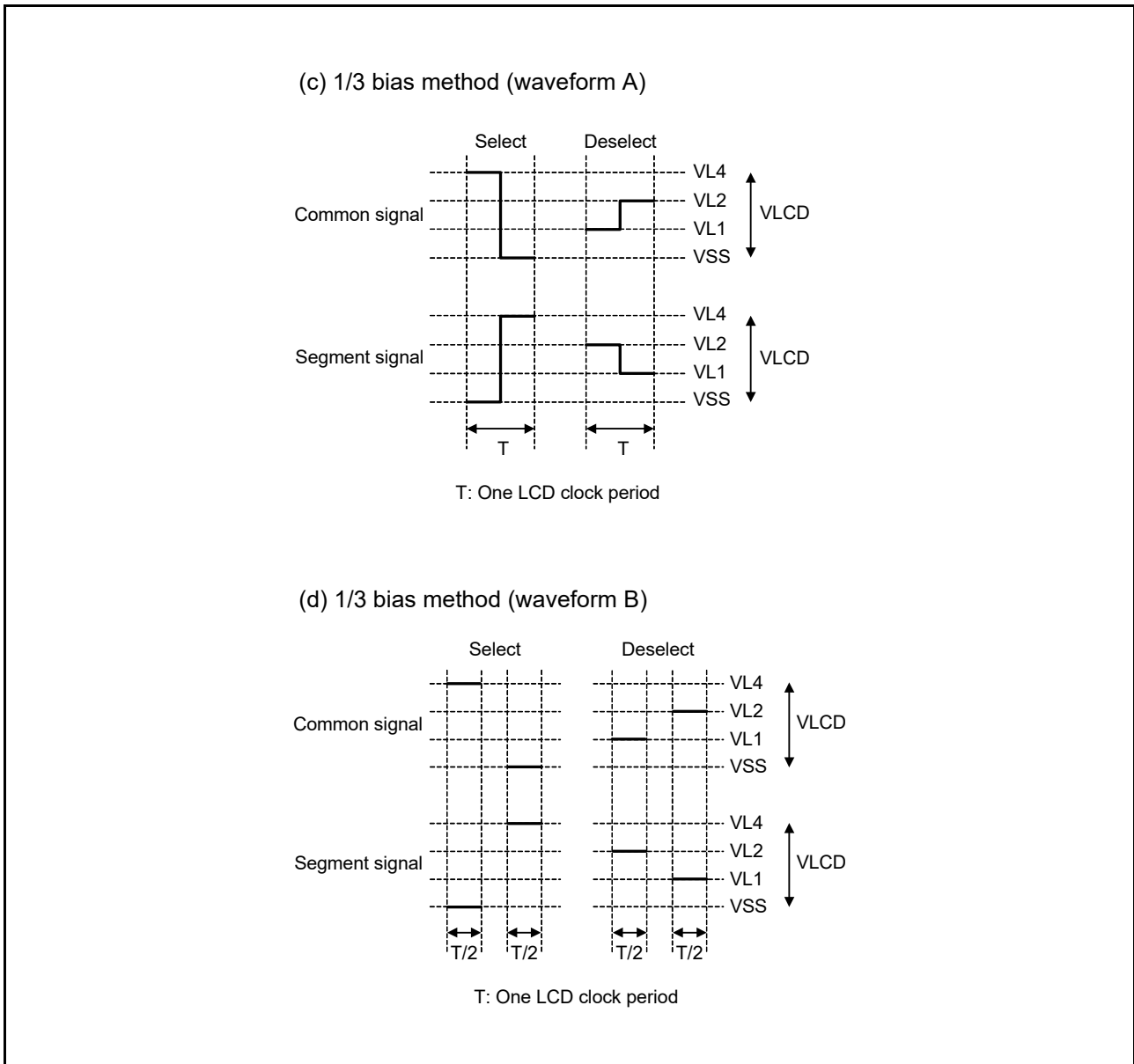


Figure 45.16 Voltages and phases of common and segment signals (2 of 3)

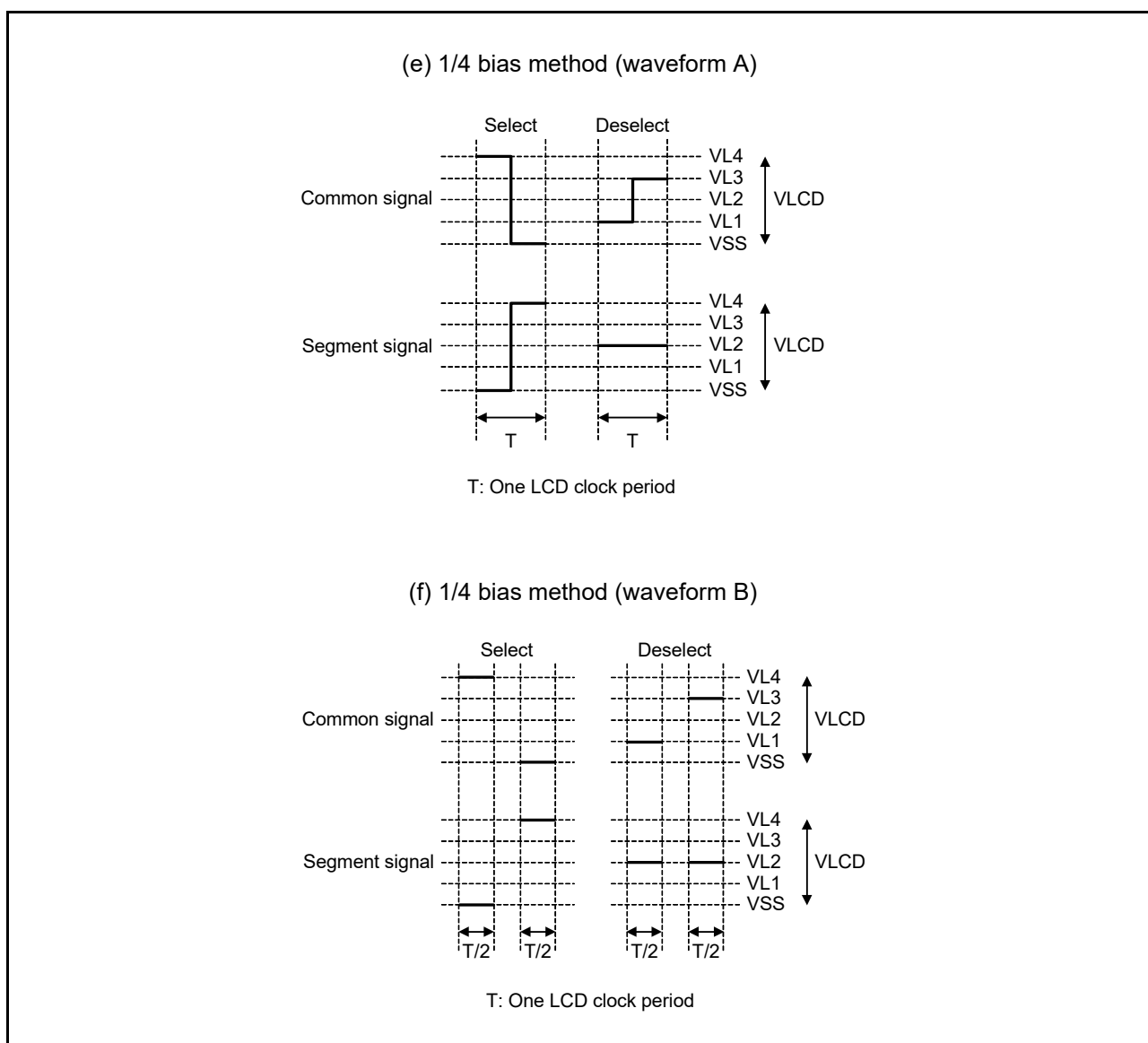


Figure 45.17 Voltages and phases of common and segment signals (3 of 3)

45.9 Display Modes

45.9.1 Static Display Example

Figure 45.19 shows how a three-digit LCD panel with the display pattern shown in Figure 45.18 is connected to the segment signals (SEG00 to SEG23) and the common signal (COM0). This example displays “12.3” in the LCD panel. The contents of the display data register correspond to this display.

The following description focuses on numeral “2.” (2.) displayed in the second digit. To display “2.” in the LCD panel, the select or deselect voltage must be applied to the SEG08 to SEG15 pins at the select timing of the common signal COM0. See Figure 45.18 for the relationship between the segment signals and LCD segments.

Table 45.13 Example of select (1) and deselect (0) data (COM0)

| Common | Segment | | | | | | | |
|--------|---------|----------|--------|--------|----------|--------|--------|--------|
| | SEG08 | SEG09 | SEG10 | SEG11 | SEG12 | SEG13 | SEG14 | SEG15 |
| COM0 | Select | Deselect | Select | Select | Deselect | Select | Select | Select |

According to Table 45.13, the bit-0 pattern of the display data register must be 10110111b.

Figure 45.20 shows the LCD drive waveforms of SEG11 and SEG12, and COM0. When the select voltage is applied to SEG11 at the timing of COM0, an alternating rectangle waveform, +VLCD/-VLCD, is generated to turn on the corresponding LCD segment.

COM1 to COM3 are supplied with the same waveform as COM0. Therefore, COM0 to COM3 can be connected together to increase the driving capacity.

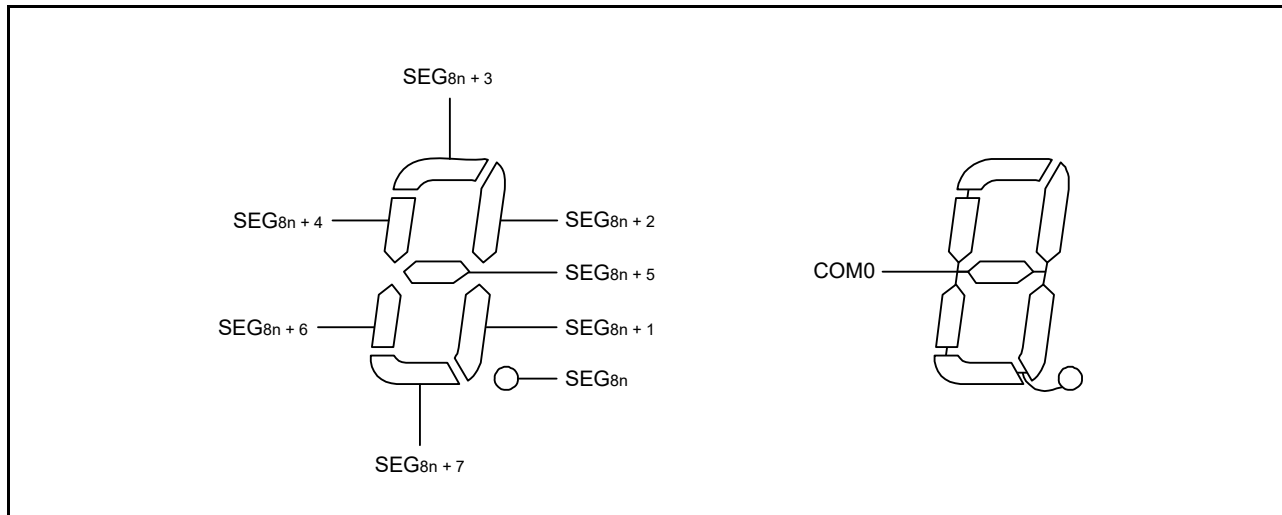


Figure 45.18 Static LCD display pattern and electrode connections

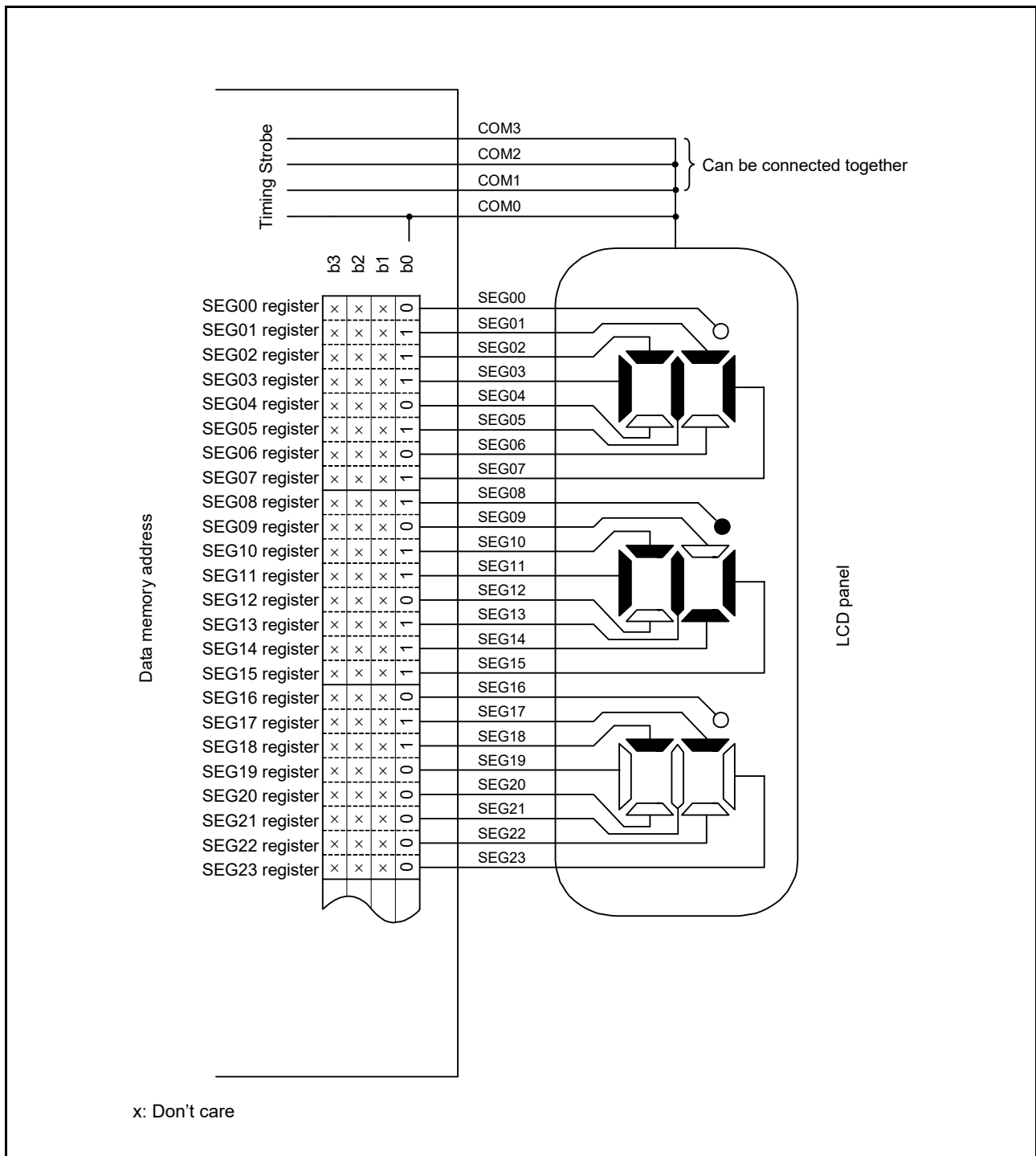


Figure 45.19 Example of connecting static LCD panel

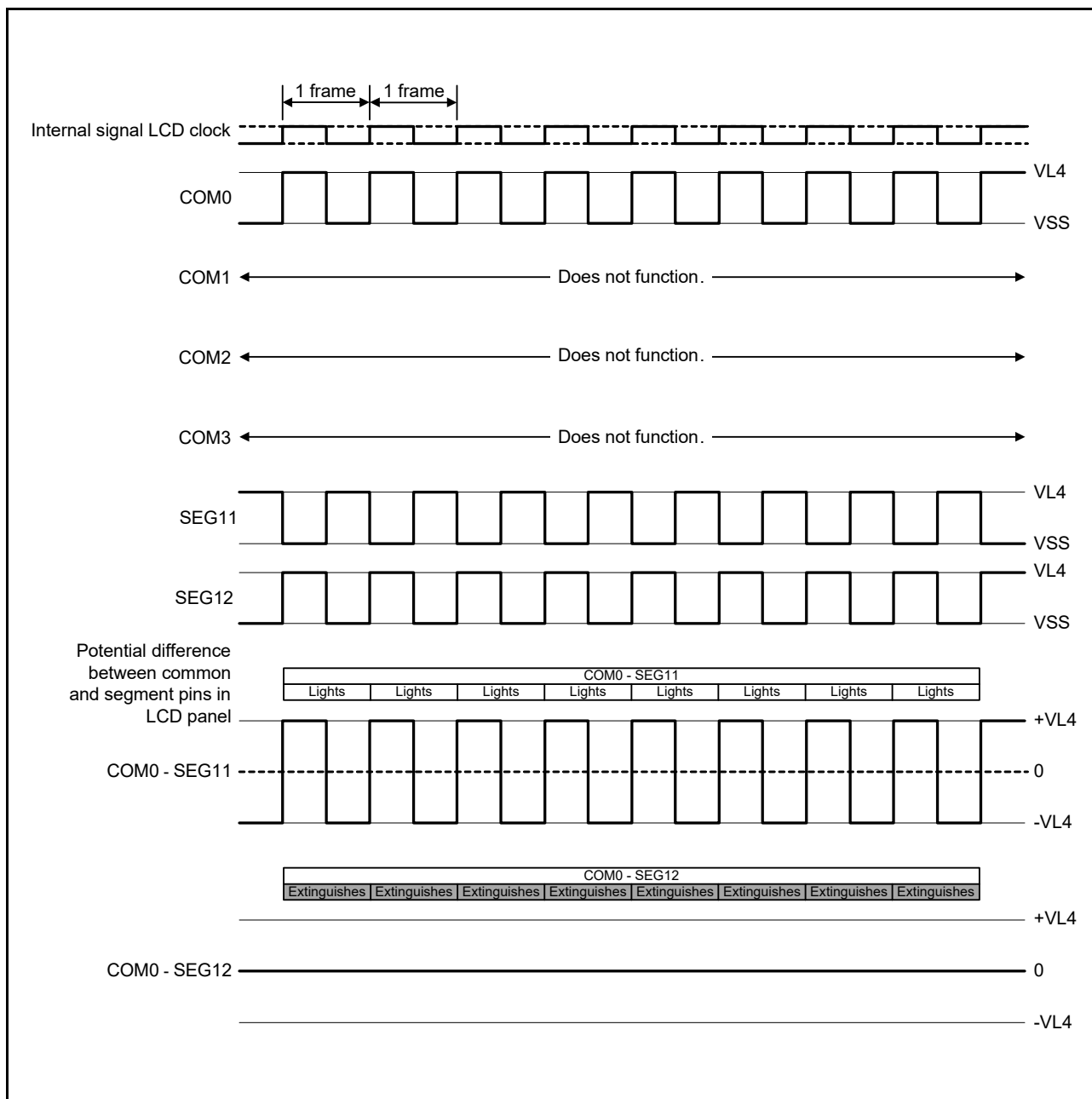


Figure 45.20 Static LCD drive waveform examples for SEG11, SEG12, and COM0

45.9.2 Two-Time-Slice Display Example

Figure 45.22 shows how a 6-digit LCD panel with the display pattern shown in Figure 45.21 is connected to the segment signals (SEG00 to SEG23) and the common signals (COM0 and COM1). This example displays “12345.6” in the LCD panel. The contents of the display data register correspond to this display.

The following description is for numeral “3” (3) displayed in the fourth digit. To display “3” in the LCD panel, the select or deselect voltage must be applied to the SEG12 to SEG15 pins at the select timing of the common signals COM0 and COM1. See Figure 45.21 for the relationship between the segment signals and LCD segments.

Table 45.14 Example of select (1) and deselect (0) data (COM0 and COM1)

| Common | Segment | | | |
|--------|----------|--------|----------|----------|
| | SEG12 | SEG13 | SEG14 | SEG15 |
| COM0 | Select | Select | Deselect | Deselect |
| COM1 | Deselect | Select | Select | Select |

According to Table 45.14, the display data register location that corresponds to SEG15 must contain “xx10b”.

Figure 45.23 shows examples of LCD drive waveforms between the SEG15 signal and each common signal. When the select voltage is applied to SEG15 at the timing of COM1, an alternating rectangle waveform, +VLCD/-VLCD, is generated to turn on the associated LCD segment.

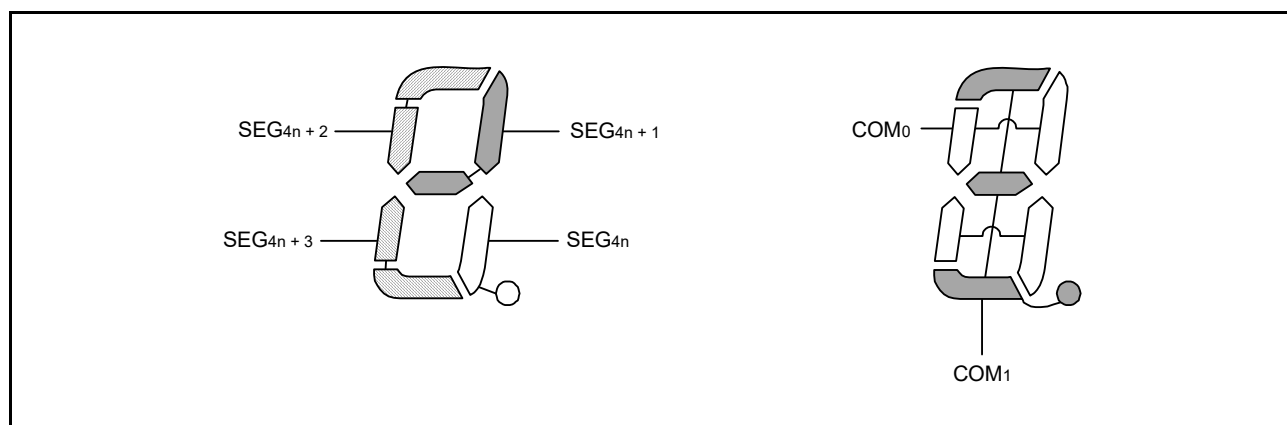


Figure 45.21 Two-time-slice LCD display pattern and electrode connections

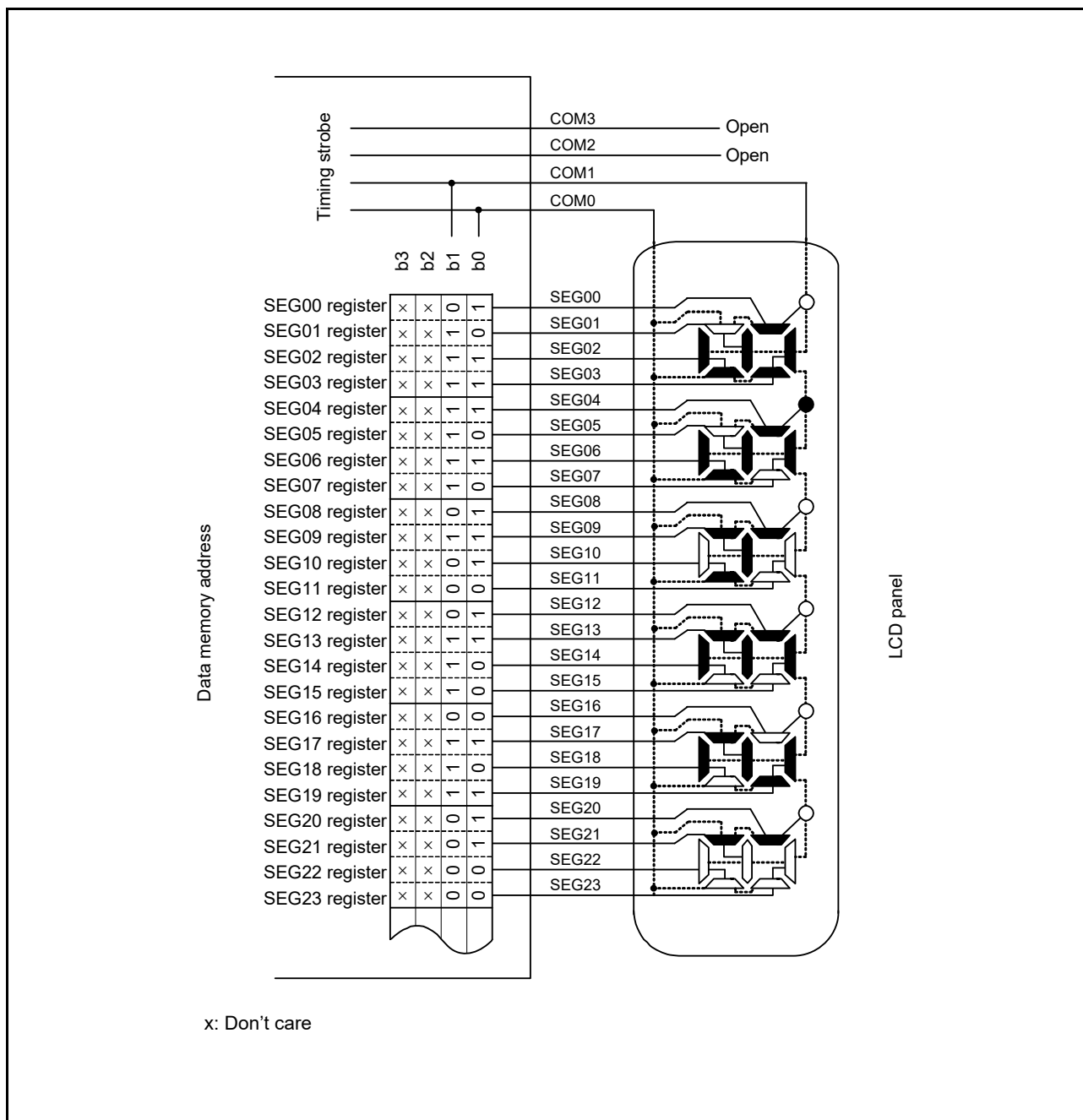


Figure 45.22 Example of connecting two-time-slice LCD panel

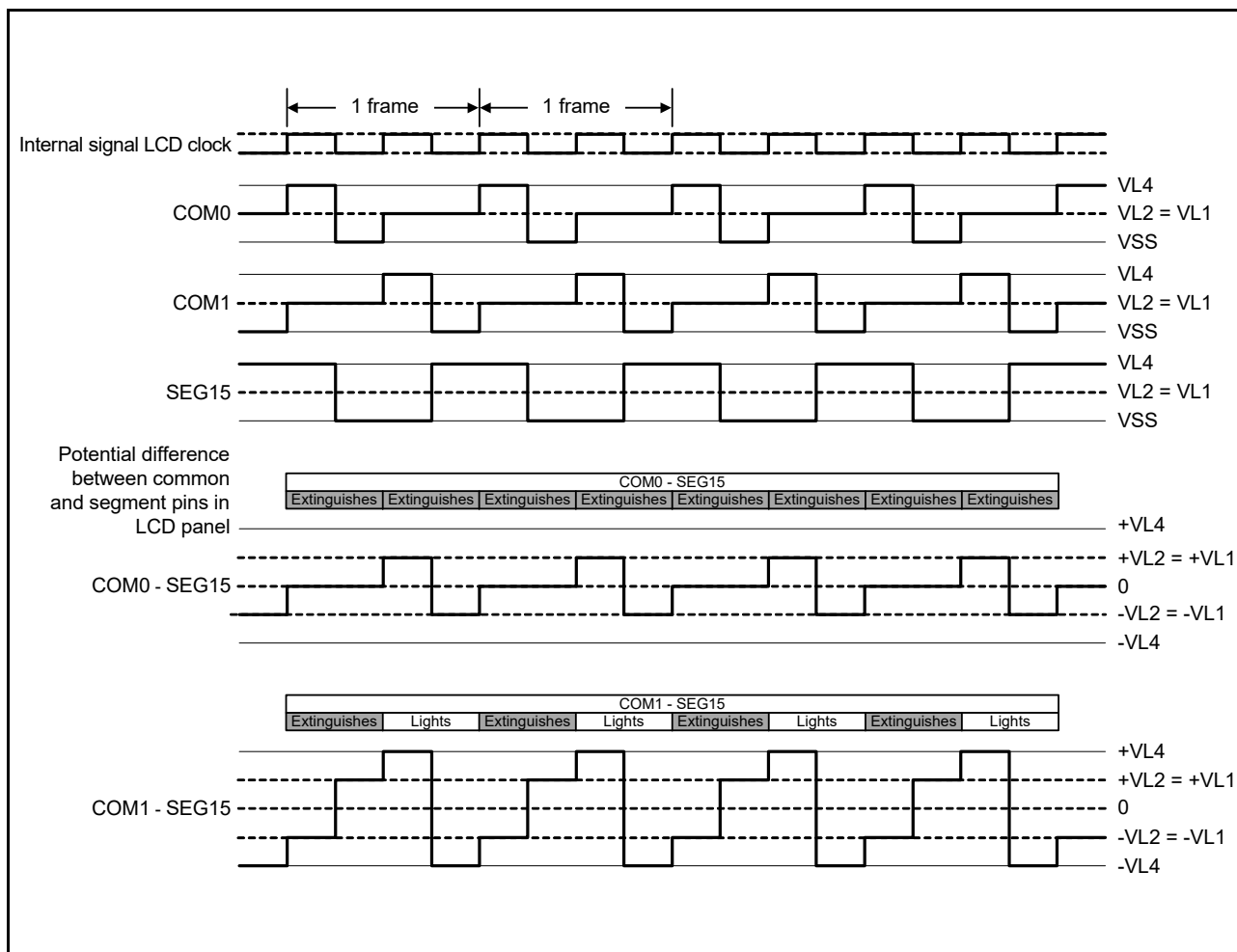


Figure 45.23 Two-time-slice LCD drive waveform examples between SEG15 and each common signal using 1/2 bias method

45.9.3 Three-Time-Slice Display Example

Figure 45.25 shows how an 8-digit LCD panel with the display pattern shown in Figure 45.24 is connected to the segment signals (SEG00 to SEG23) and the common signals (COM0 to COM2). This example displays “123456.78” in the LCD panel. The contents of the display data register correspond to this display.

The following description focuses on numeral “6.” (6.) displayed in the third digit. To display “6.” in the LCD panel, the select or deselect voltage must be applied to the SEG06 to SEG08 pins at the select timing of the common signals COM0 to COM2. See Figure 45.24 for the relationship between the segment signals and LCD segments.

Table 45.15 Example of select (1) and deselect (0) data (COM0 to COM2)

| Common | Segment | | |
|--------|----------|--------|--------|
| | SEG06 | SEG07 | SEG08 |
| COM0 | Deselect | Select | Select |
| COM1 | Select | Select | Select |
| COM2 | Select | Select | — |

According to Table 45.15, the display data register location that corresponds to SEG06 must contain “x110b”.

Figure 45.26 and Figure 45.27 show examples of LCD drive waveforms between the SEG06 signal and each common signal in the 1/2 and 1/3 bias methods, respectively. When the select voltage is applied to SEG06 at the timing of COM1 or COM2, an alternating rectangle waveform, +VLCD/-VLCD, is generated to turn on the associated LCD segment.

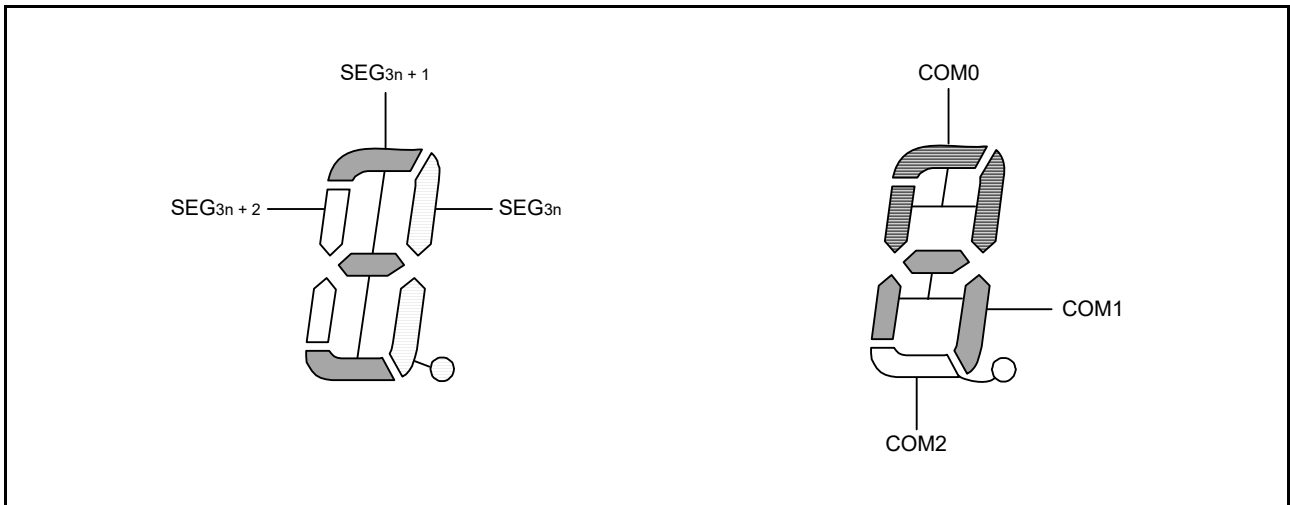


Figure 45.24 Three-Time-Slice LCD display pattern and electrode connections

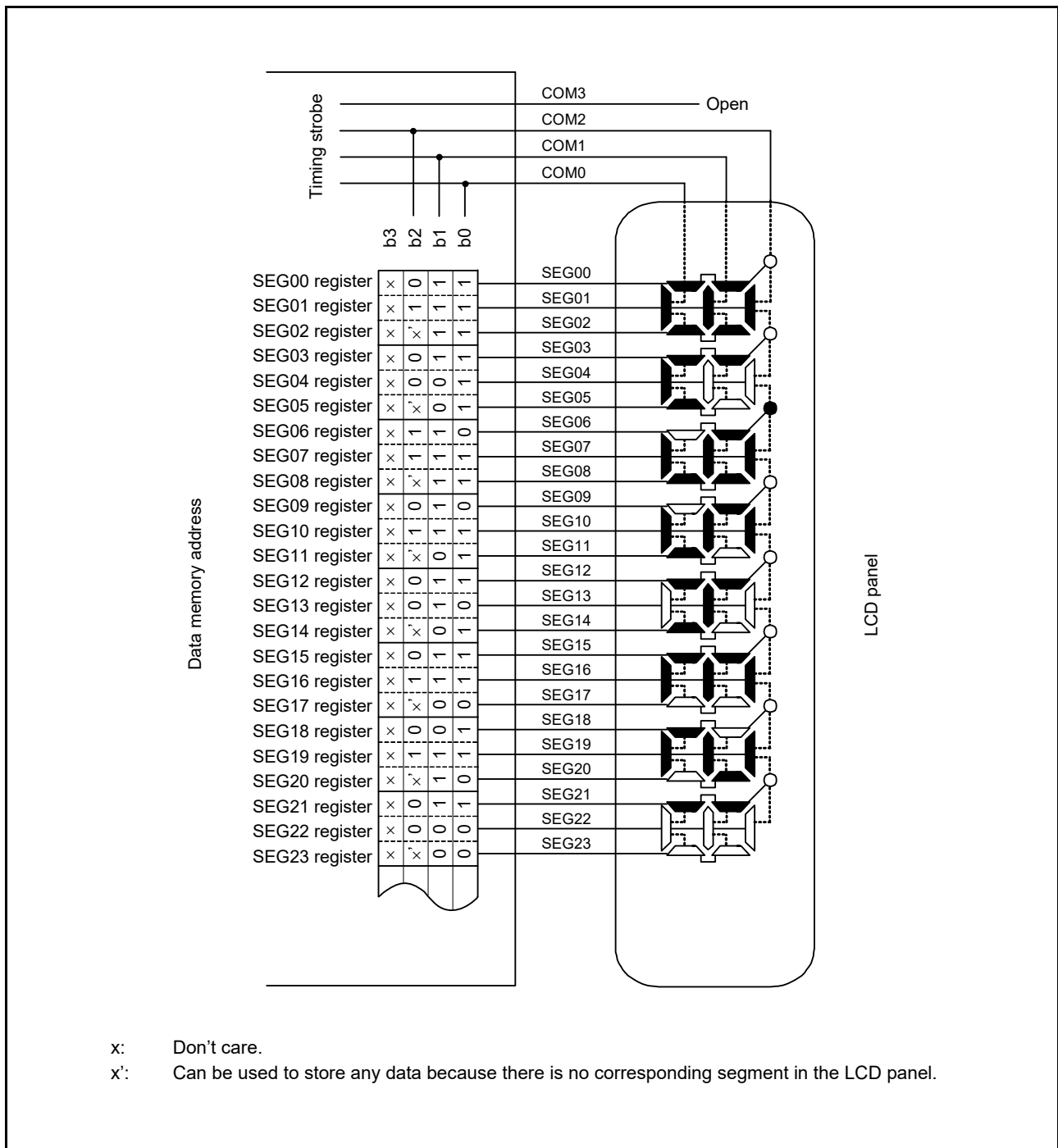


Figure 45.25 Example of connecting three-time-slice LCD panel

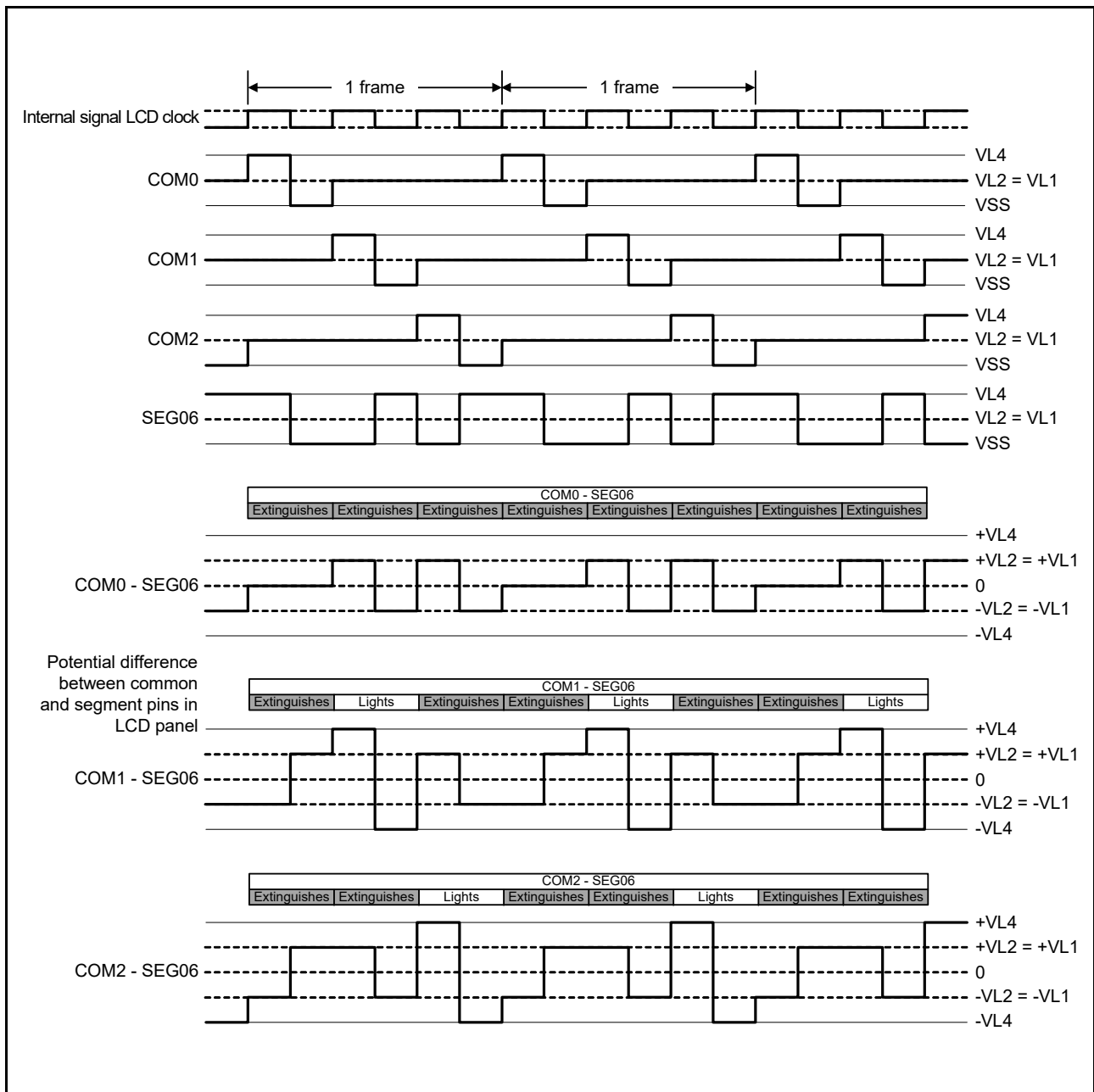


Figure 45.26 Three-time-slice LCD drive waveform examples between SEG06 and each common signal using 1/2 bias method

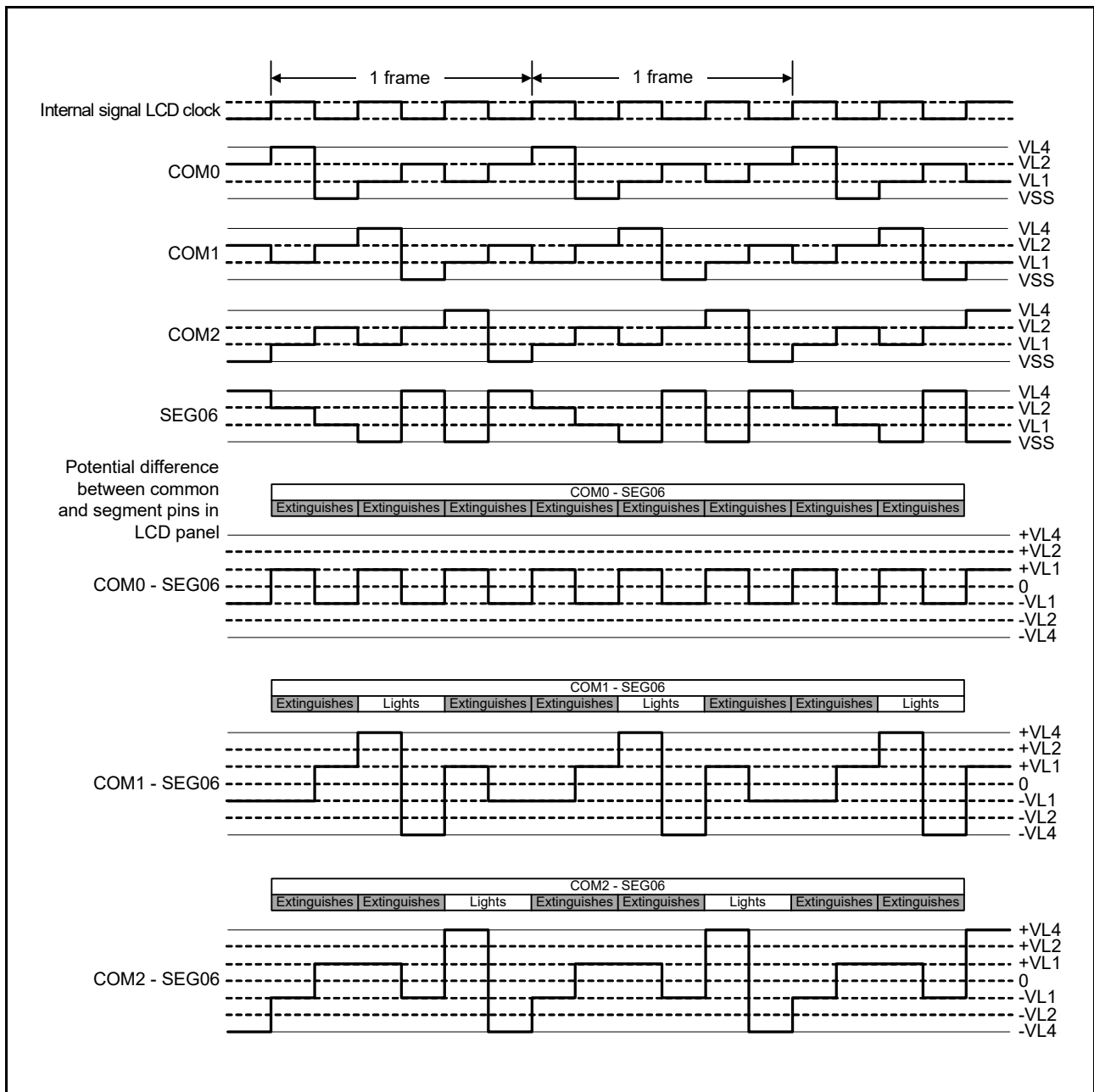


Figure 45.27 Three-time-slice LCD drive waveform examples between SEG06 and each common signal using 1/3 bias method

45.9.4 Four-Time-Slice Display Example

Figure 45.29 shows how a 12-digit LCD panel with the display pattern shown in Figure 45.28 is connected to the segment signals (SEG00 to SEG23) and the common signals (COM0 to COM3). This example displays “123456.789012” in the LCD panel. The contents of the display data register correspond to this display.

The following description focuses on numeral “6.” (6.) displayed in the seventh digit. To display “6.” in the LCD panel, the select or deselect voltage must be applied to the SEG12 and SEG13 pins at the select timing of the common signals COM0 to COM3. See Figure 45.28 for the relationship between the segment signals and LCD segments.

Table 45.16 Example of select (1) and deselect (0) data (COM0 to COM3)

| Common | Segment | |
|--------|----------|--------|
| | SEG12 | SEG13 |
| COM0 | Select | Select |
| COM1 | Deselect | Select |
| COM2 | Select | Select |
| COM3 | Select | Select |

According to Table 45.16, the display data register location that corresponds to SEG12 must contain “1101b”.

Figure 45.30 shows examples of LCD drive waveforms between the SEG12 signal and each common signal. When the select voltage is applied to SEG12 at the timing of COM0, an alternating rectangle waveform, +VLCD/-VLCD, is generated to turn on the associated LCD segment.

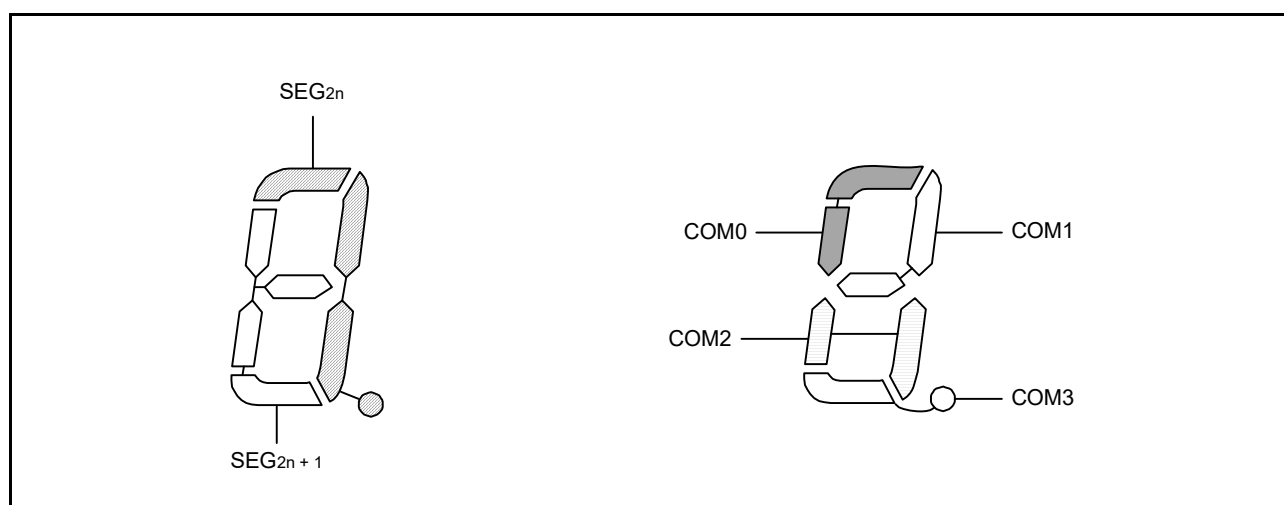


Figure 45.28 Four-time-slice LCD display pattern and electrode connections

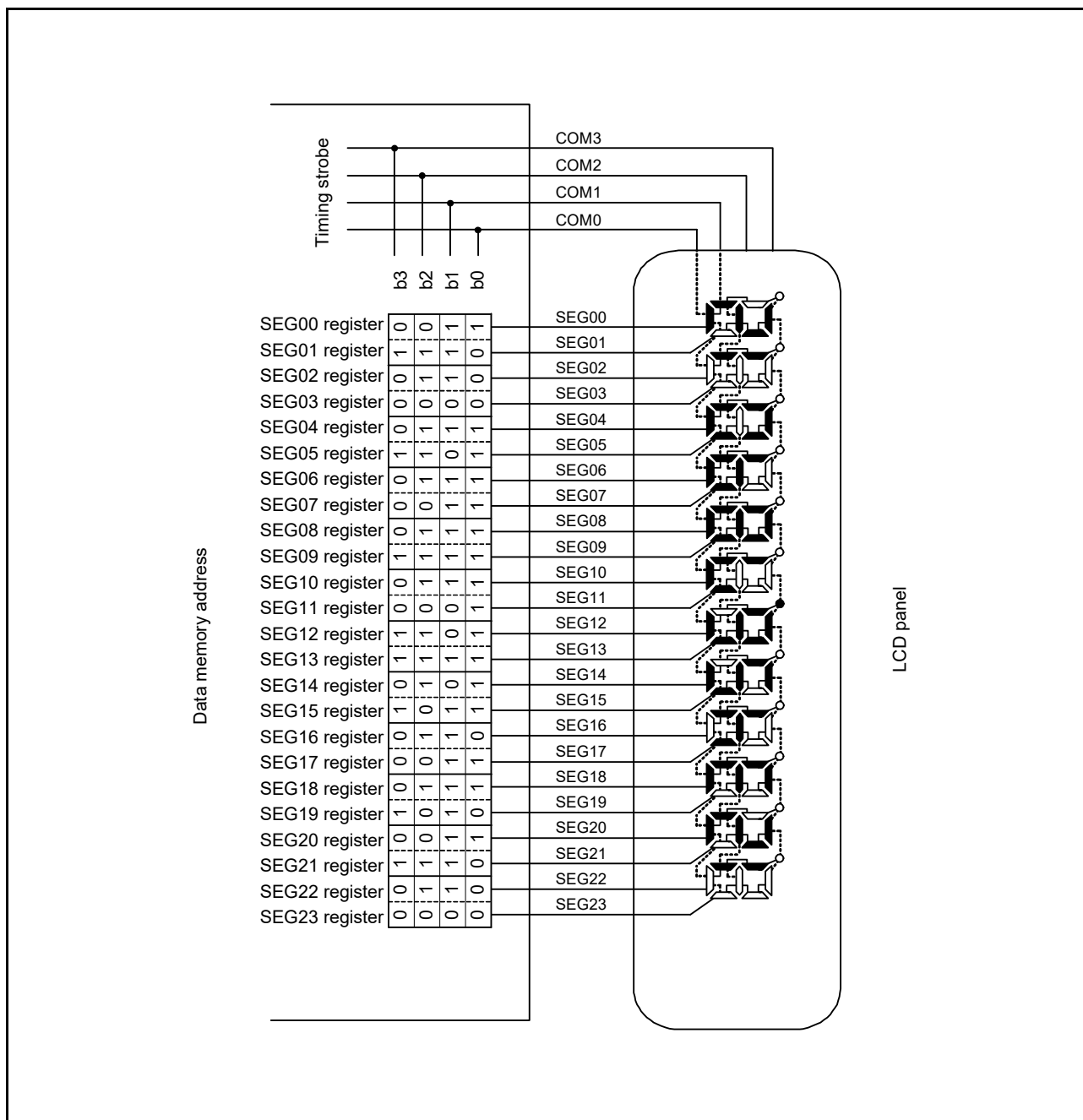


Figure 45.29 Example of connecting four-time-slice LCD panel

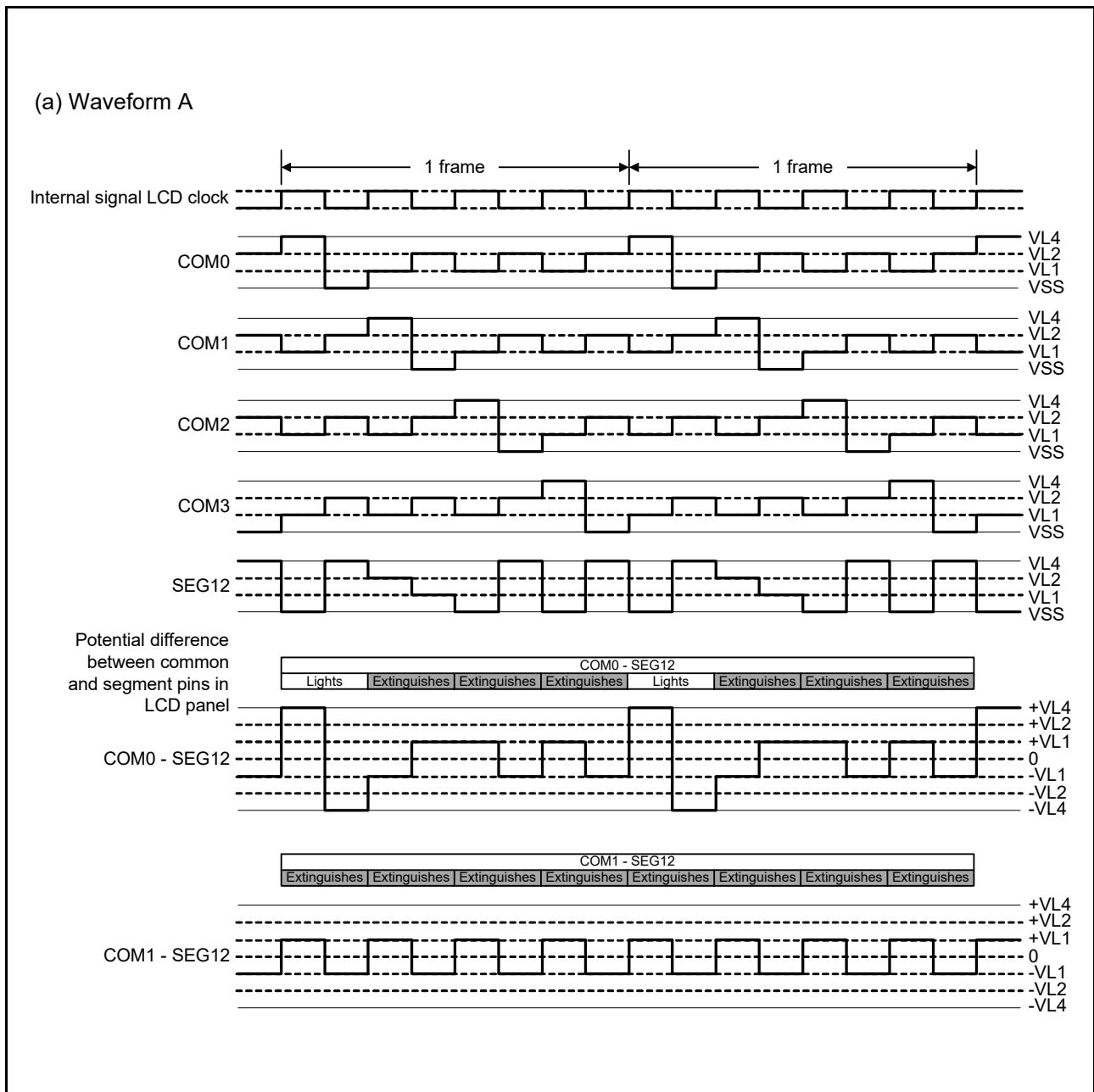


Figure 45.30 Four-time-slice LCD drive waveform examples between SEG12 and each common signal using 1/3 bias method (1 of 2)

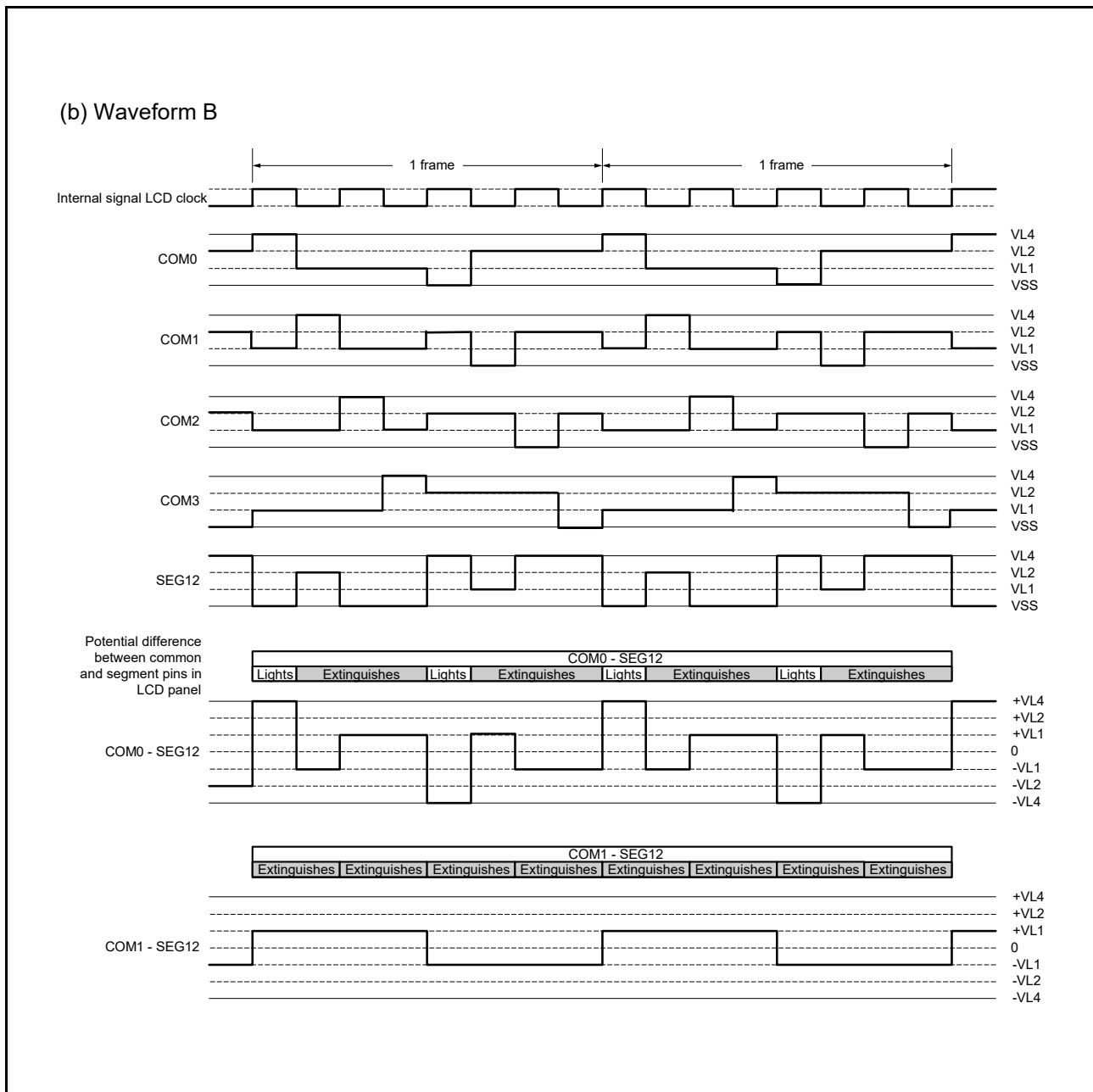


Figure 45.31 Four-time-slice LCD drive waveform examples between SEG12 and each common signal using 1/3 bias method (2 of 2)

45.9.5 Eight-Time-Slice Display Example

Figure 45.33 shows how a 15 × 8 dot LCD panel with the display pattern shown in Figure 45.32 is connected to the segment signals (SEG04 to SEG18) and the common signals (COM0 to COM7). This example displays “123” in the LCD panel. The contents of the display data register correspond to this display.

The following description is for the numeral “3” (3) displayed in the first digit. To display “3” in the LCD panel, the select or deselect voltage must be applied to the SEG04 to SEG08 pins at the select timing of the common signals COM0 to COM7. See Figure 45.32 for the relationship between the segment signals and LCD segments.

Table 45.17 Example of select (1) and deselect (0) data (COM0 to COM7)

| Common | Segment | | | | |
|--------|----------|----------|----------|----------|----------|
| | SEG04 | SEG05 | SEG06 | SEG07 | SEG08 |
| COM0 | Select | Select | Select | Select | Select |
| COM1 | Deselect | Select | Deselect | Deselect | Deselect |
| COM2 | Deselect | Deselect | Select | Deselect | Deselect |
| COM3 | Deselect | Select | Deselect | Deselect | Deselect |
| COM4 | Select | Deselect | Deselect | Deselect | Deselect |
| COM5 | Select | Deselect | Deselect | Deselect | Select |
| COM6 | Deselect | Select | Select | Select | Deselect |
| COM7 | Deselect | Deselect | Deselect | Deselect | Deselect |

According to [Table 45.17](#), the display data register location that corresponds to SEG04 must contain “00110001b”.

[Figure 45.34](#) and [Figure 45.35](#) show examples of LCD drive waveforms between the SEG04 signal and each common signal. When the select voltage is applied to SEG04 at the timing of COM0, a waveform is generated to turn on the associated LCD segment.

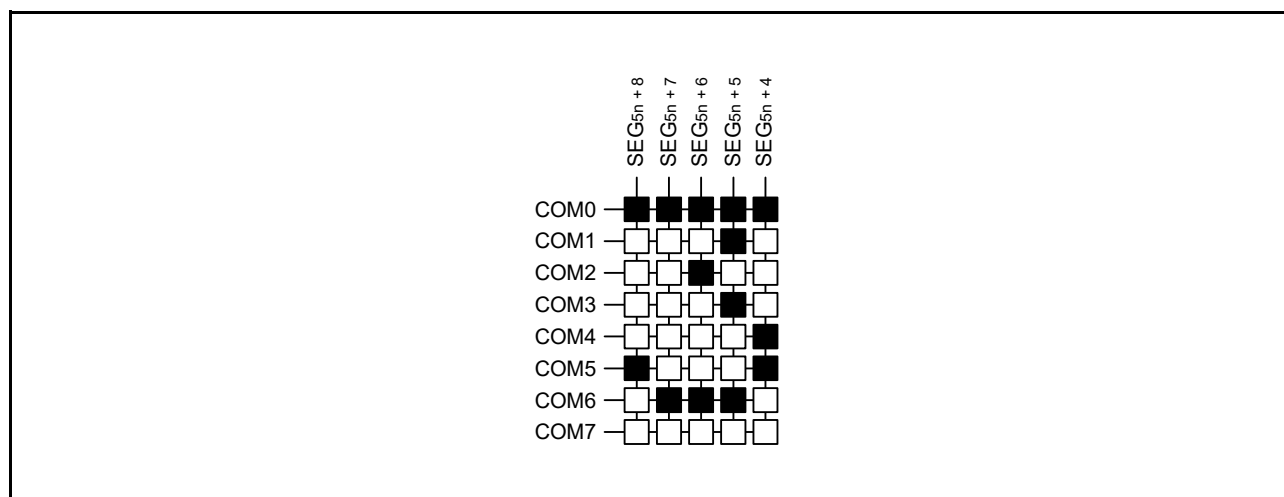


Figure 45.32 Eight-time-slice LCD display pattern and electrode connections

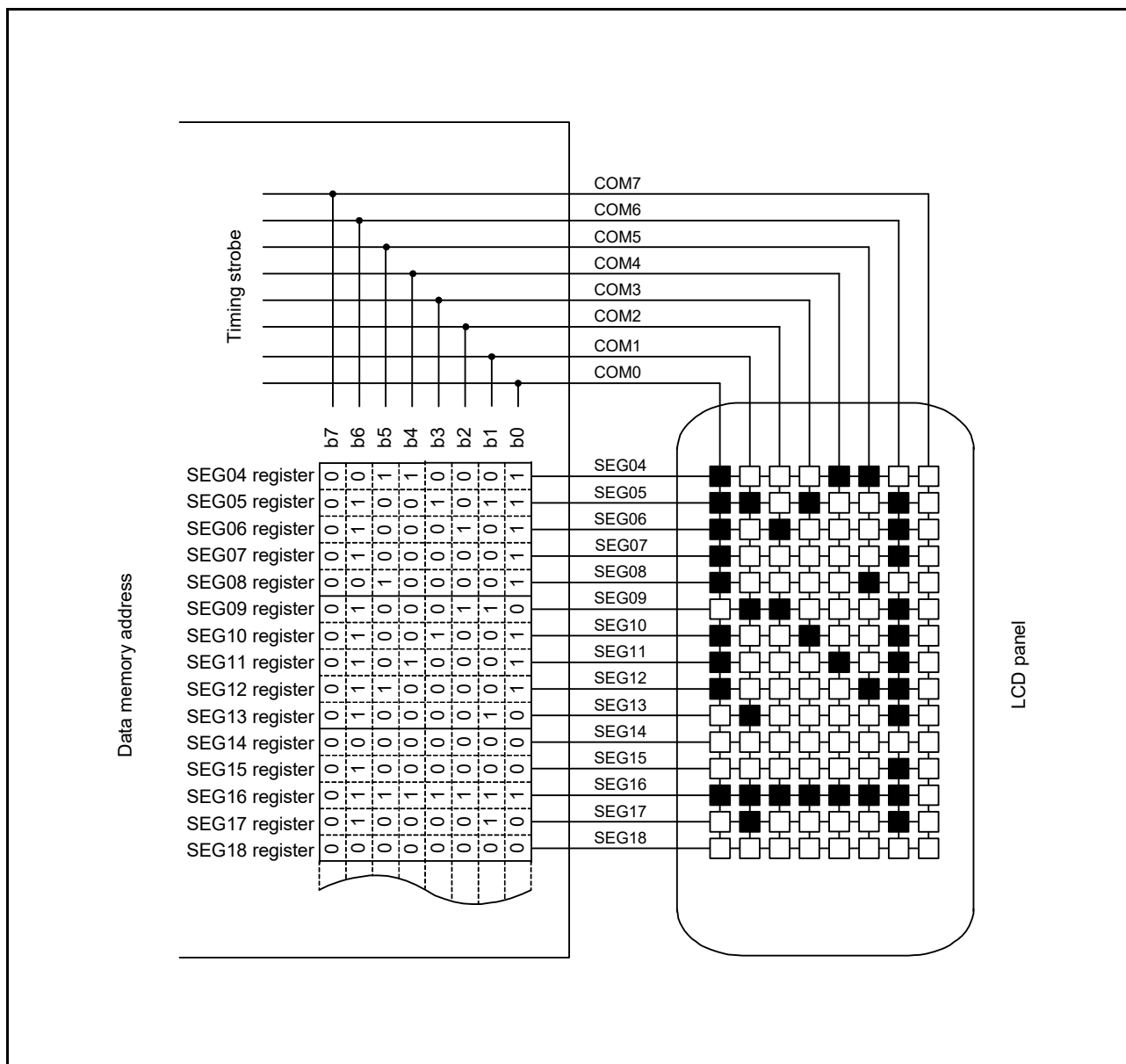


Figure 45.33 Example of connecting eight-time-slice LCD panel

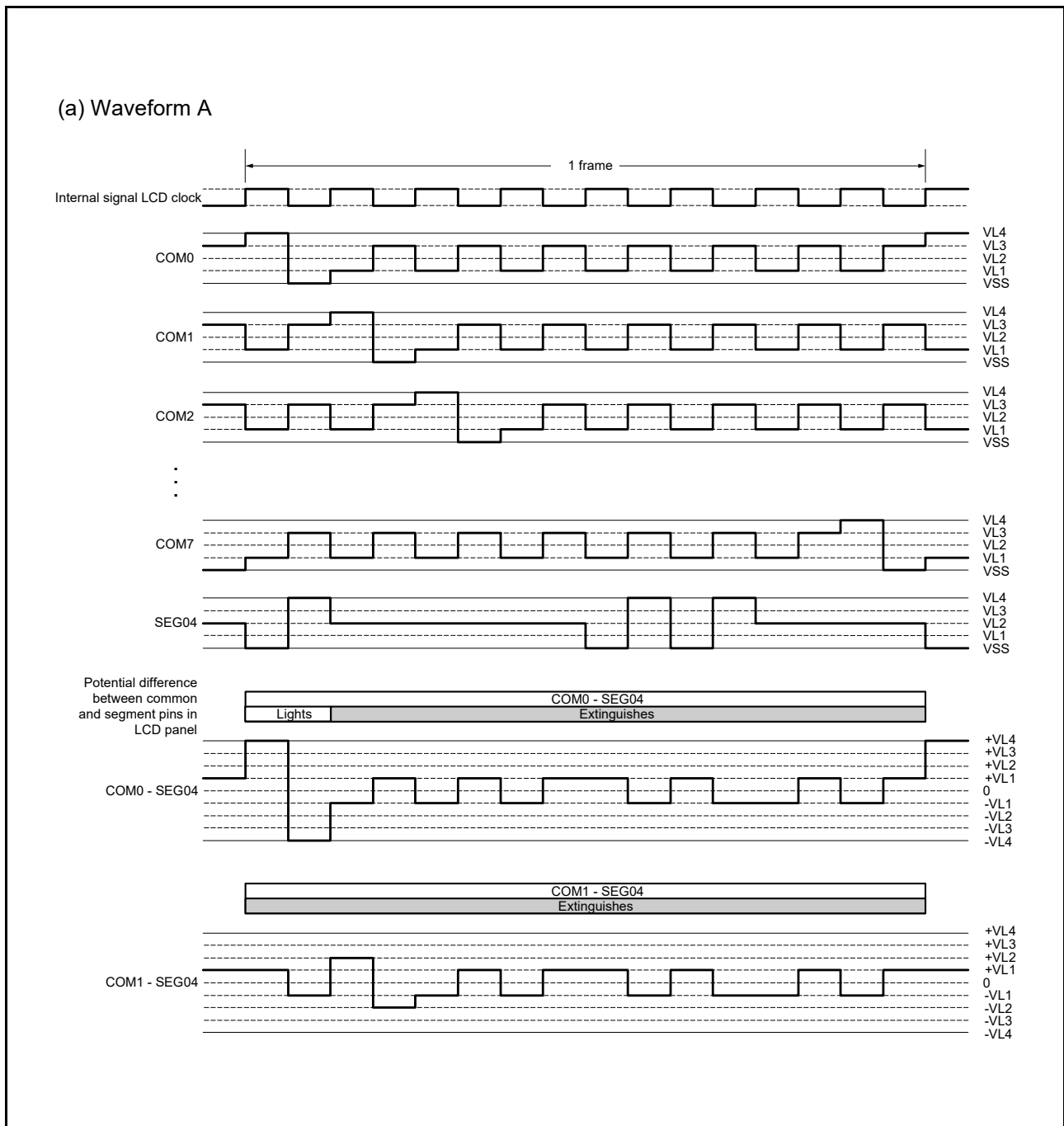


Figure 45.34 Eight-time-slice LCD drive waveform examples between SEG04 and each common signal using 1/4 bias method (1 of 2)

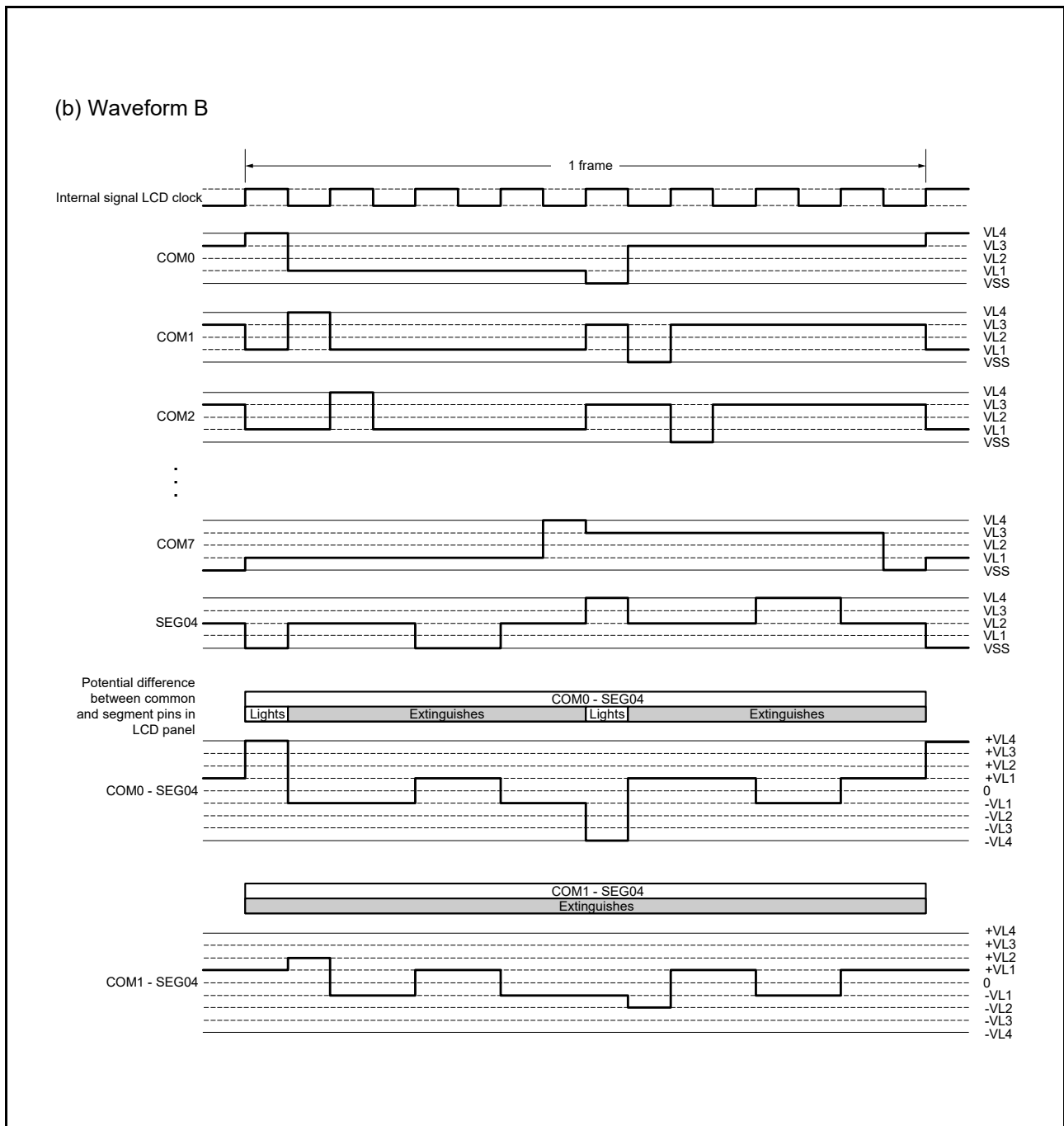


Figure 45.35 Eight-time-slice LCD drive waveform examples between SEG04 and each common signal using 1/4 bias method (2 of 2)

46. Secure Cryptographic Engine (SCE5)

46.1 Overview

The MCU incorporates a Secure Cryptographic Engine (SCE5) module to provide security functions. The module consists of an access management circuit, encryption engine, and random number generator. In combination with the Renesas Synergy Software Package (SSP) Crypto library, the SCE5 can prevent eavesdropping (confidentiality), falsification of information (integrity), and impersonation (authenticity).

The SCE5 module can only be used with the SSP Crypto library. For details, see the Crypto Framework and the SCE Crypto Driver sections in the *Renesas Synergy™ Software Package (SSP) User's Manual*.

[Table 46.1](#) shows the SCE5 specifications and [Figure 46.1](#) shows the SCE5 block diagram.

Table 46.1 SCE5 specifications

| Item | Description |
|------------------------------|------------------------------------------------------------------------------------------------------------------------------------------------------------------------------------------------------------------------------------------------------------------------------------------------------------------------------------------------------------------------------------------------------------------------------------------------------------------------------------------------------------------------------------------------------------------------------------------------------------------------------------------------------------------------------------------------------------------------------------------------------------------------------------------------------------------------------------------------------------------|
| Access control | Access management circuit <ul style="list-style-type: none"> In case of irregular access to the SCE5 due to a falsified program or runaway execution of a program, this circuit blocks all subsequent accesses and stops the output of data from the SCE5. |
| Encryption engine | Advanced Encryption Standard (AES): Compliant with NIST FIPS PUB 197 algorithm <ul style="list-style-type: none"> Key sizes: 128 or 256 bits Block size: 128 bits Chaining modes <ul style="list-style-type: none"> ECB, CBC, CTR: Compliant with NIST SP 800-38A GCM: Compliant with NIST SP 800-38D XTS: Compliant with NIST SP 800-38E. GCTR Throughput for 128-bit data <ul style="list-style-type: none"> 44 PCLKA cycles for 128-bit key*1 61 PCLKA cycles for 256-bit key*1. AES-GCM <ul style="list-style-type: none"> AES-GCM is realized by combining AES-GCTR and GHASH. Key management <ul style="list-style-type: none"> Wrapped keys are only valid within the SCE5. |
| Generation of random numbers | 32-bit true random number generator |
| Unique ID | <ul style="list-style-type: none"> An ID unique to the MCU (unique ID) is accessible from the access management circuit through the dedicated bus Combining the unique ID with the key generation information prevents illicit copying of data to another MCU. |
| Privileged mode | <ul style="list-style-type: none"> The privileged mode access signal is connected to the access management circuit and is used to limit control of the SCE5 module to privileged mode only. |
| Low power consumption | Setting of the module-stop state is possible |

Note 1. This does not include the overhead for calling functions of the SSP Crypto library.

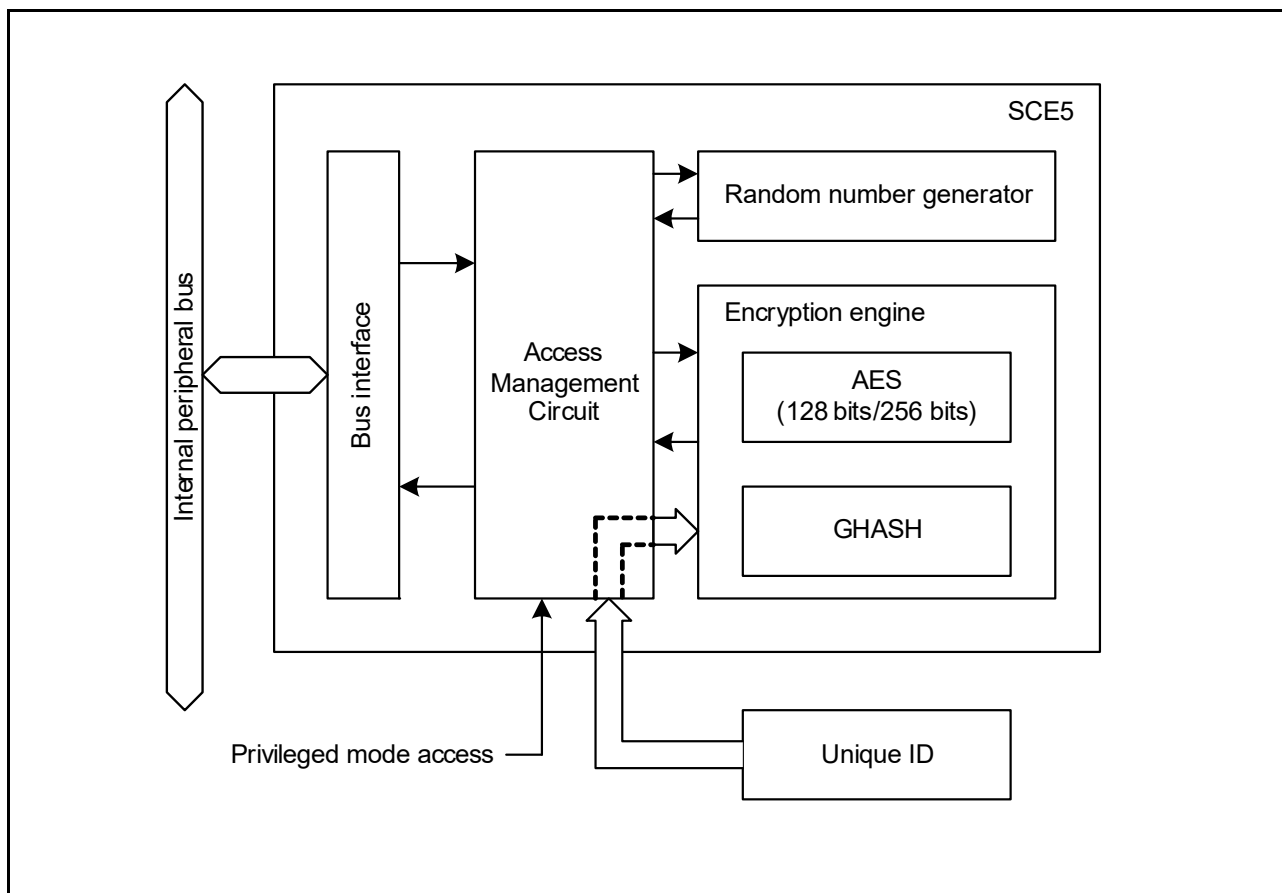


Figure 46.1 SCE5 block diagram

46.2 Operation

46.2.1 Encryption Engine

The encryption engine performs the following operation in hardware, as seen in [Figure 46.2](#):

- Plaintext to ciphertext encryption
- Ciphertext to plaintext decryption.

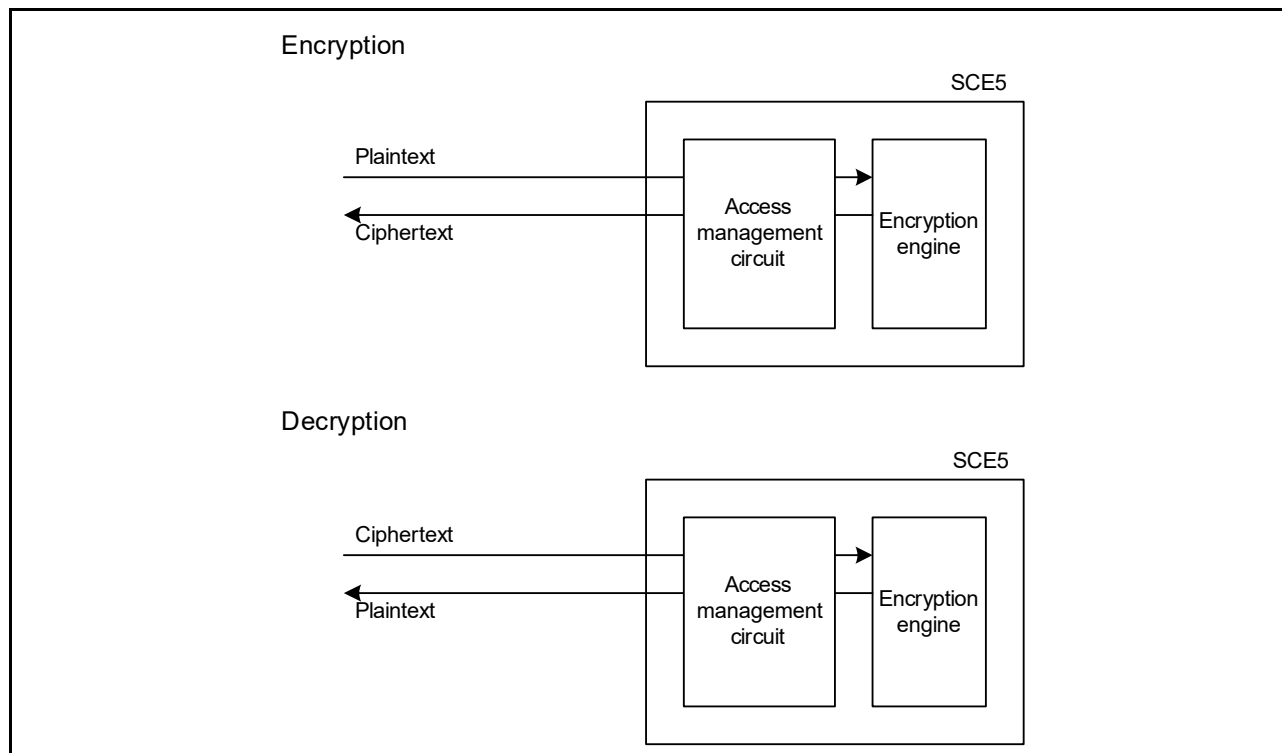


Figure 46.2 Encryption and decryption processes by encryption engine

46.2.2 Encryption and Decryption

To encrypt or decrypt data:

1. Input the data to encrypt or decrypt in the SCE5.
The SCE5 converts the plaintext data to ciphertext or ciphertext data to plaintext.
2. Read the converted data.

The encryption engine has an input buffer and an output buffer, enabling encryption/decryption to proceed in parallel with data input/output. Figure 46.3 shows the encryption engine timing.

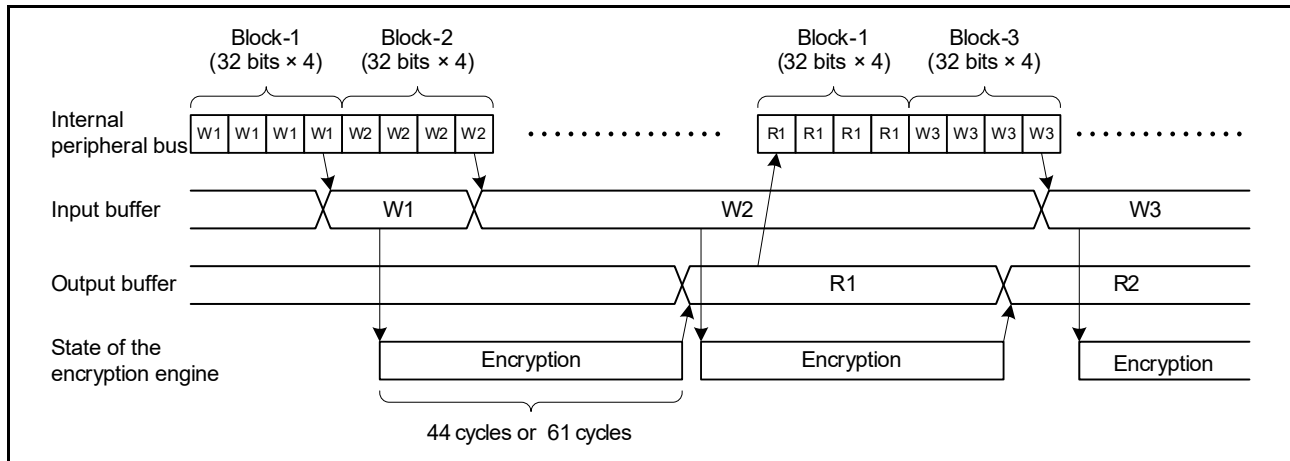


Figure 46.3 Encryption and decryption timing (AES)

46.3 Usage Notes

46.3.1 Software Standby Mode

If the MCU enters Software Standby mode while the encryption engine is processing, proper processing cannot be resumed after Software Standby mode is exited. Therefore, it is necessary to enter the Software Standby mode while the encryption engine is not running.

46.3.2 Settings for the Module-Stop Function

SCE5 operation can be disabled or enabled using Module Stop Control Register C (MSTPCRC). The SCE5 module is initially stopped after reset. Releasing the module-stop state enables access to the registers.

47. Internal Voltage Regulator

47.1 Overview

The MCU includes a linear regulator (LDO) that supplies voltage to the internal circuits and memory, except for I/O and the analog domain.

47.2 Operation

Table 47.1 lists the LDO mode pin settings, and Figure 47.1 shows the LDO mode settings. In LDO mode, the internal voltage is generated from VCC.

Table 47.1 LDO mode pin settings

| Parameter | Description |
|--------------|-------------------------------------------------------------------------------------------------------------------------------------------------------------------------------------------------------------------------------------------|
| All VCC pins | <ul style="list-style-type: none"> Connect each pin to the system power supply Connect each pin to VSS through a 0.1-μF multilayer ceramic capacitor. Place the capacitor close to the pin. |
| VCL pin | Connect each pin to VSS through a 4.7- μF multilayer ceramic capacitor. Place the capacitor close to the pin. |

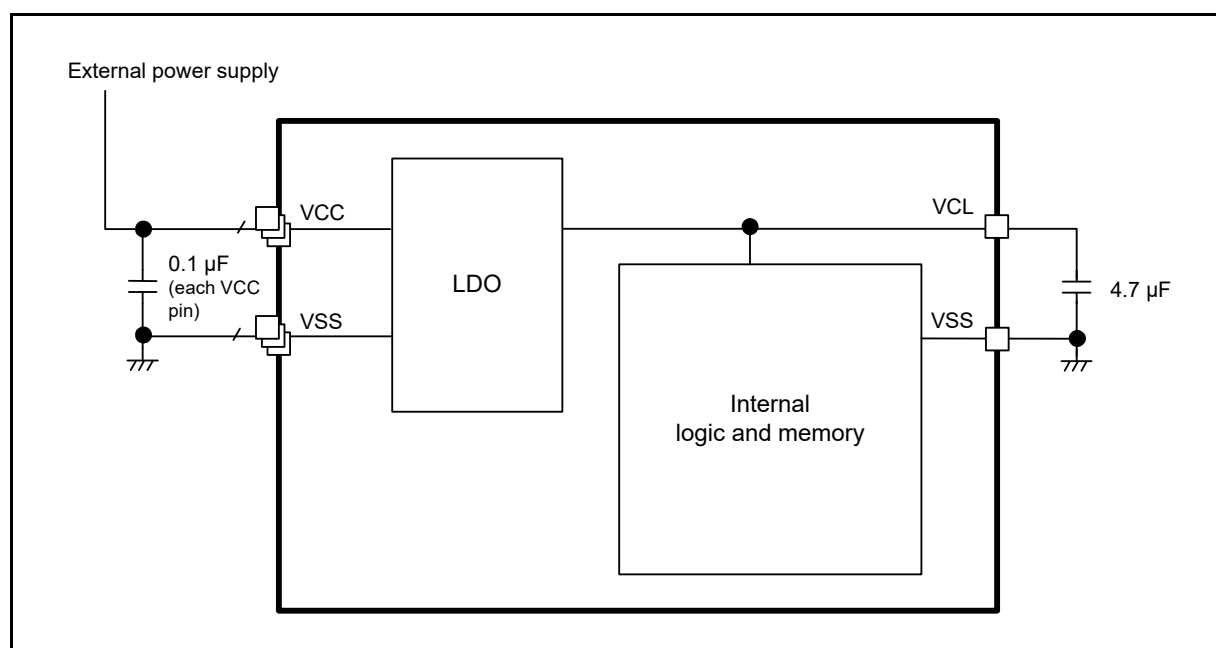


Figure 47.1 LDO mode settings

48. Electrical Characteristics

Unless otherwise specified, the electrical characteristics of the MCU are defined under the following conditions:

$VCC^{*1} = AVCC0 = VCC_USB^{*2} = VCC_USB_LDO^{*2} = 1.6$ to $5.5V$, $VREFH = VREFH0 = 1.6$ to $AVCC0$, $VBATT = 1.6$ to $3.6V$, $VSS = AVSS0 = VREFL = \bar{V}REFL0 = VSS_USB = 0V$, $T_a = T_{opr}$

Note 1. The typical condition is set to $VCC = 3.3V$.

Note 2. When USBFS is not used.

Figure 48.1 shows the timing conditions.

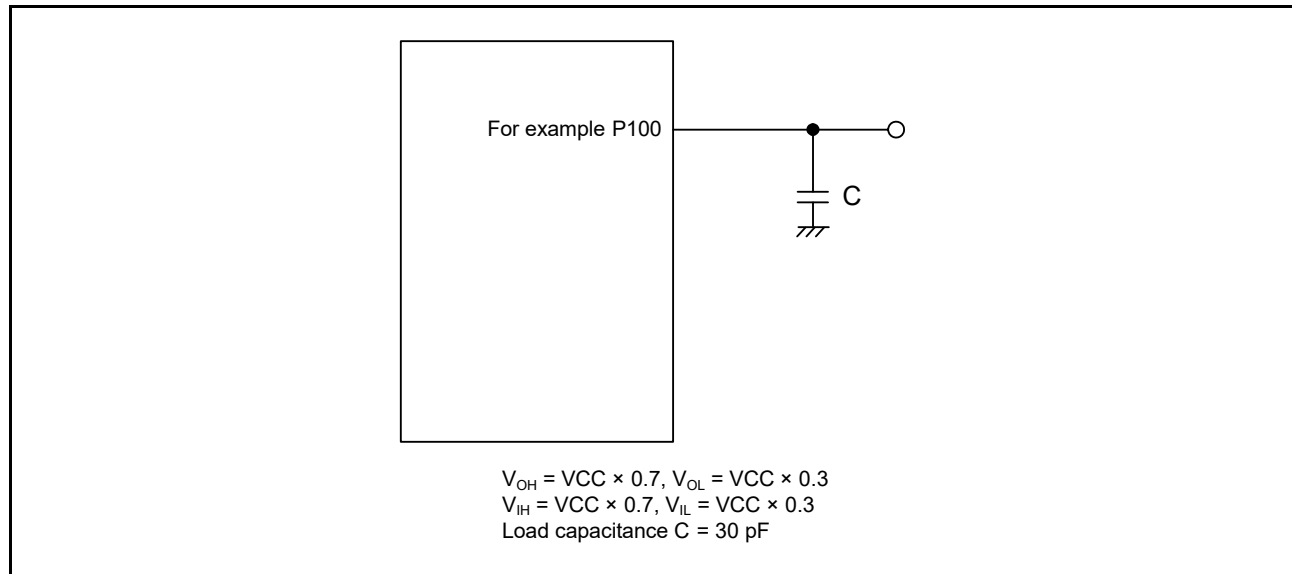


Figure 48.1 Input or output timing measurement conditions

The recommended measurement conditions for the timing specification of each peripheral provided are for the best peripheral operation. Make sure to adjust the driving abilities of each pin to meet your conditions.

Each function pin used for the same function must select the same drive ability. If the I/O drive ability of each function pin is mixed, the AC specification of each function is not guaranteed.

48.1 Absolute Maximum Ratings

Table 48.1 Absolute maximum ratings

| Parameter | Symbol | Value | Unit |
|--------------------------------|----------------------------|------------------------------|---------------------|
| Power supply voltage | VCC | -0.5 to +6.5 | V |
| Input voltage | 5 V-tolerant ports*1 | V_{in} | -0.3 to +6.5 |
| | P000 to P008, P010 to P015 | V_{in} | -0.3 to AVCC0 + 0.3 |
| | Others | V_{in} | -0.3 to VCC + 0.3 |
| Reference power supply voltage | VREFH0 | -0.3 to +6.5 | V |
| | VREFH | | V |
| VBATT power supply voltage | VBATT | -0.5 to +6.5 | V |
| Analog power supply voltage | AVCC0 | -0.5 to +6.5 | V |
| USB power supply voltage | VCC_USB | -0.5 to +6.5 | V |
| | VCC_USB_LDO | -0.5 to +6.5 | V |
| Analog input voltage | V_{AN} | When AN000 to AN014 are used | -0.3 to AVCC0 + 0.3 |
| | | When AN016 to AN025 are used | -0.3 to VCC + 0.3 |
| LCD voltage | VL1 voltage | V_{L1} | -0.3 to +2.8 |
| | VL2 voltage | V_{L2} | -0.3 to +6.5 |
| | VL3 voltage | V_{L3} | -0.3 to +6.5 |
| | VL4 voltage | V_{L4} | -0.3 to +6.5 |
| Operating temperature*2,*3,*4 | T_{opr} | -40 to +105 | °C |
| | | -40 to +85 | |
| Storage temperature | T_{stg} | -55 to +125 | °C |

Caution: Permanent damage to the MCU may result if absolute maximum ratings are exceeded.
 To preclude any malfunctions due to noise interference, insert capacitors of high frequency characteristics between the VCC and VSS pins, between the AVCC0 and AVSS0 pins, between the VCC_USB and VSS_USB pins, between the VREFH0 and VREFL0 pins, and between the VREFH and VREFL pins. Place capacitors of about 0.1 μ F as close as possible to every power supply pin and use the shortest and heaviest possible traces. Also, connect capacitors as stabilization capacitance.
 Connect the VCL pin to a VSS pin by a 4.7 μ F capacitor. The capacitor must be placed close to the pin.
 Do not input signals or an I/O pull-up power supply while the device is not powered. The current injection that results from input of such a signal or I/O pull-up might cause malfunction and the abnormal current that passes in the device at this time might cause degradation of internal elements.

Note 1. Ports P205, P206, P400 to P404, P407, P408 are 5 V tolerant.

Note 2. See [section 48.2.1, Tj/Ta Definition](#).

Note 3. Contact a Renesas Electronics sales office for information on derating operation under $T_a = +85^\circ\text{C}$ to $+105^\circ\text{C}$. Derating is the systematic reduction of load for improved reliability.

Note 4. The upper limit of operating temperature is $+85^\circ\text{C}$ or $+105^\circ\text{C}$, depending on the product. For details, see [section 1.3, Part Numbering](#).

Table 48.2 Recommended operating conditions

| Parameter | Symbol | Value | Min | Typ | Max | Unit |
|------------------------------|-------------|-----------------------------------------------------------|-----------------|-----|-------|------|
| Power supply voltages | VCC*1, *2 | When USBFS is not used | 1.6 | - | 5.5 | V |
| | | When USBFS is used USB Regulator Disable | VCC_USB | - | 3.6 | V |
| | | When USBFS is used USB Regulator Enable | VCC_USB _LDO | - | 5.5 | V |
| | VSS | - | 0 | - | V | |
| USB power supply voltages | VCC_USB | When USBFS is not used | - | VCC | - | V |
| | | When USBFS is used USB Regulator Disable (Input) | 3.0 | 3.3 | 3.6 | V |
| | VCC_USB_LDO | When USBFS is not used | - | VCC | - | V |
| | | When USBFS is used USB Regulator Disable | - | VCC | - | V |
| | | When USBFS is used USB Regulator Enable | 3.8 | - | 5.5 | V |
| | VSS_USB | - | 0 | - | V | |
| VBATT power supply voltage | VBATT | When the battery backup function is not used | - | VCC | - | V |
| | | When the battery backup function is used | 1.6 | - | 3.6 | V |
| Analog power supply voltages | AVCC0*1, *2 | | 1.6 | - | 5.5 | V |
| | AVSS0 | | - | 0 | - | V |
| | VREFH0 | When used as ADC14 Reference | 1.6 | - | AVCC0 | V |
| | VREFL0 | | - | 0 | - | V |
| | VREFH | When used as DAC12 Reference | 1.6 | - | AVCC0 | V |
| | VREFL | | - | 0 | - | V |

Note 1. Use AVCC0 and VCC under the following conditions:

AVCC0 and VCC can be set individually within the operating range when $VCC \geq 2.2\text{ V}$ and $AVCC0 \geq 2.2\text{ V}$.

$AVCC0 = VCC$ when $VCC < 2.2\text{ V}$ or $AVCC0 < 2.2\text{ V}$.

Note 2. When powering on the VCC and AVCC0 pins, power them on at the same time, or power the VCC pin first and then the AVCC0 pin.

48.2 DC Characteristics

48.2.1 T_j/T_a Definition**Table 48.3 DC Characteristics**Conditions: Products with operating temperature (T_a) -40 to +105°C

| Parameter | Symbol | Typ | Max | Unit | Test conditions |
|----------------------------------|----------------|-----|-------|------|-------------------------------------------------------------------------------------------------|
| Permissible junction temperature | T _j | - | 125 | °C | High-speed mode Middle-speed mode Low-voltage mode Low-speed mode Subosc-speed mode |
| | | | 105*1 | | |

Note: Make sure that $T_j = T_a + \theta_{ja} \times \text{total power consumption (W)}$,
 where total power consumption = $(V_{CC} - V_{OH}) \times \Sigma I_{OH} + V_{OL} \times \Sigma I_{OL} + I_{CCmax} \times V_{CC}$.

Note 1. The upper limit of operating temperature is +85°C or +105°C, depending on the product. For details, see [section 1.3, Part Numbering](#). If the part number shows the operation temperature at 85°C, then the maximum value of T_j is +105°C, otherwise, it is +125°C.

48.2.2 I/O V_{IH}, V_{IL}**Table 48.4 I/O V_{IH}, V_{IL} (1)**Conditions: V_{CC} = AV_{CC0} = V_{CC_USB} = V_{CC_USB_LDO} = 2.7 to 5.5V, V_{BATT} = 1.6 to 3.6 V, V_{SS} = AV_{SS0} = 0 V

| Parameter | Symbol | Min | Typ | Max | Unit | Test conditions | |
|---------------------------------------------------------------|-----------------------------------------------------------------------------------|------------------|---------------------------|-------------------------|---------------------------|-----------------|--------------------------------|
| Schmitt trigger input voltage | IIC*1 (except for SMBus) | V _{IH} | V _{CC} × 0.7 | - | 5.8 | V | - |
| | | V _{IL} | - | - | V _{CC} × 0.3 | | |
| | | ΔV _T | V _{CC} × 0.05 | - | - | | |
| | RES, NMI Other peripheral input pins excluding IIC | V _{IH} | V _{CC} × 0.8 | - | - | | |
| | | V _{IL} | - | - | V _{CC} × 0.2 | | |
| | | ΔV _T | V _{CC} × 0.1 | - | - | | |
| Input voltage (except for Schmitt trigger input pin) | IIC (SMBus)*2 | V _{IH} | 2.2 | - | - | V | V _{CC} = 3.6 to 5.5 V |
| | | V _{IH} | 2.0 | - | - | | V _{CC} = 2.7 to 3.6 V |
| | | V _{IL} | - | - | 0.8 | | - |
| | 5 V-tolerant ports*3 | V _{IH} | V _{CC} × 0.8 | - | 5.8 | | |
| | | V _{IL} | - | - | V _{CC} × 0.2 | | |
| | P914, P915 | V _{IH} | V _{CC_USB} × 0.8 | - | V _{CC_USB} + 0.3 | | |
| | | V _{IL} | - | - | V _{CC_USB} × 0.2 | | |
| | P000 to P008, P010 to P015 | V _{IH} | AV _{CC0} × 0.8 | - | - | | |
| | | V _{IL} | - | - | AV _{CC0} × 0.2 | | |
| | EXTAL Input ports pins except for P000 to P008, P010 to P015, P914, P915 | V _{IH} | V _{CC} × 0.8 | - | - | | |
| | | V _{IL} | - | - | V _{CC} × 0.2 | | |
| | When V _{BATT} power supply is selected | P402, P403, P404 | V _{IH} | V _{BATT} × 0.8 | - | | V _{BATT} + 0.3 |
| V _{IL} | | | - | - | V _{BATT} × 0.2 | | |
| ΔV _T | | | V _{BATT} × 0.05 | - | - | | |

Note 1. P205, P206, P400, P401, P407, P408 (total 6 pins).

Note 2. P100, P101, P204, P205, P206, P400, P401, P407, P408 (total 9 pins).

Note 3. P205, P206, P400 to P404, P407, P408 (total 9 pins).

Table 48.5 I/O V_{IH} , V_{IL} (2)Conditions: $V_{CC} = AV_{CC0} = V_{CC_USB} = V_{CC_USB_LDO} = 1.6$ to 2.7 V, $V_{BATT} = 1.6$ to 3.6 V, $V_{SS} = AV_{SS0} = 0$ V

| Parameter | | Symbol | Min | Typ | Max | Unit | Test conditions |
|------------------------------------------------------|-----------------------------------------------------------------------------|--------------|--------------------------|-----|--------------------------|------|-----------------|
| Schmitt trigger input voltage | RES, NMI Peripheral input pins | V_{IH} | $V_{CC} \times 0.8$ | - | - | V | - |
| | | V_{IL} | - | - | $V_{CC} \times 0.2$ | | |
| | | ΔV_T | $V_{CC} \times 0.01$ | - | - | | |
| Input voltage (except for Schmitt trigger input pin) | 5 V-tolerant ports*1 | V_{IH} | $V_{CC} \times 0.8$ | - | 5.8 | | |
| | | V_{IL} | - | - | $V_{CC} \times 0.2$ | | |
| | P914, P915 | V_{IH} | $V_{CC_USB} \times 0.8$ | - | $V_{CC_USB} + 0.3$ | | |
| | | V_{IL} | - | - | $V_{CC_USB} \times 0.2$ | | |
| | P000 to P008, P010 to P015 | V_{IH} | $AV_{CC0} \times 0.8$ | - | - | | |
| | | V_{IL} | - | - | $AV_{CC0} \times 0.2$ | | |
| | EXTAL Input ports pins except for P000 to P008, P010 to P015, P914, P915 | V_{IH} | $V_{CC} \times 0.8$ | - | - | | |
| | | V_{IL} | - | - | $V_{CC} \times 0.2$ | | |
| When V_{BATT} power supply is selected | P402, P403, P404 | V_{IH} | $V_{BATT} \times 0.8$ | - | $V_{BATT} + 0.3$ | | |
| | | V_{IL} | - | - | $V_{BATT} \times 0.2$ | | |
| | | ΔV_T | $V_{BATT} \times 0.01$ | - | - | | |

Note 1. P205, P206, P400 to P404, P407, P408 (total 9 pins)

48.2.3 I/O I_{OH} , I_{OL} **Table 48.6** I/O I_{OH} , I_{OL} (1 of 2)Conditions: $V_{CC} = AV_{CC0} = V_{CC_USB} = V_{CC_USB_LCO} = 1.6$ to 5.5 V

| Parameter | | | Symbol | Min | Typ | Max | Unit |
|-------------------------------------------------------|----------------------------------------------------------------------------------------------------------------------------------|------------------------------------------------------------------|----------|-----|------|-------|------|
| Permissible output current (average value per pin) | Ports P212, P213 | - | I_{OH} | - | - | -4.0 | mA |
| | | | I_{OL} | - | - | 4.0 | mA |
| | Port P408 | Low drive*1 | I_{OH} | - | - | -4.0 | mA |
| | | | I_{OL} | - | - | 4.0 | mA |
| | | Middle drive for IIC Fast-mode*4 $V_{CC} = 2.7$ to 5.5 V | I_{OH} | - | - | -8.0 | mA |
| | | | I_{OL} | - | - | 8.0 | mA |
| | | Middle drive*2 $V_{CC} = 3.0$ to 5.5 V | I_{OH} | - | - | -20.0 | mA |
| | | | I_{OL} | - | - | 20.0 | mA |
| | Port P409 | Low drive*1 | I_{OH} | - | - | -4.0 | mA |
| | | | I_{OL} | - | - | 4.0 | mA |
| | | Middle drive*2 $V_{CC} = 2.7$ to 3.0 V | I_{OH} | - | - | -8.0 | mA |
| | | | I_{OL} | - | - | 8.0 | mA |
| | | Middle drive*2 $V_{CC} = 3.0$ to 5.5 V | I_{OH} | - | - | -20.0 | mA |
| | | | I_{OL} | - | - | 20.0 | mA |
| | Ports P100 to P115, P201 to P204, P300 to P307, P500 to P503, P600 to P603, P608 to P610, P808, P809 (total 41 pins) | Low drive*1 | I_{OH} | - | - | -4.0 | mA |
| | | | I_{OL} | - | - | 4.0 | mA |
| | | Middle drive*2 | I_{OH} | - | - | -4.0 | mA |
| | | | I_{OL} | - | - | 8.0 | mA |
| | Ports P914, P915 | - | I_{OH} | - | - | -4.0 | mA |
| | | | I_{OL} | - | - | 4.0 | mA |
| Other output pin*3 | Low drive*1 | I_{OH} | - | - | -4.0 | mA | |
| | | I_{OL} | - | - | 4.0 | mA | |
| | Middle drive*2 | I_{OH} | - | - | -8.0 | mA | |
| | | I_{OL} | - | - | 8.0 | mA | |

Table 48.6 I/O I_{OH} , I_{OL} (2 of 2)Conditions: $V_{CC} = AV_{CC0} = V_{CC_USB} = V_{CC_USB_LCO} = 1.6$ to 5.5 V

| Parameter | | | Symbol | Min | Typ | Max | Unit |
|------------------------------------------------------|----------------------------------------------------------------------------------------------------------------------------------|---------------------------------------------------------------|----------|-----|------|-------|------|
| Permissible output current (Max value per pin) | Ports P212, P213 | - | I_{OH} | - | - | -4.0 | mA |
| | | | I_{OL} | - | - | 4.0 | mA |
| | Port P408 | Low drive*1 | I_{OH} | - | - | -4.0 | mA |
| | | | I_{OL} | - | - | 4.0 | mA |
| | | Middle drive for IIC Fast-mode*4 $V_{CC} = 2.7$ to 5.5 V | I_{OH} | - | - | -8.0 | mA |
| | | | I_{OL} | - | - | 8.0 | mA |
| | | Middle drive*2 $V_{CC} = 3.0$ to 5.5 V | I_{OH} | - | - | -20.0 | mA |
| | | | I_{OL} | - | - | 20.0 | mA |
| | Port P409 | Low drive*1 | I_{OH} | - | - | -4.0 | mA |
| | | | I_{OL} | - | - | 4.0 | mA |
| | | Middle drive*2 $V_{CC} = 2.7$ to 3.0 V | I_{OH} | - | - | -8.0 | mA |
| | | | I_{OL} | - | - | 8.0 | mA |
| | | Middle drive*2 $V_{CC} = 3.0$ to 5.5 V | I_{OH} | - | - | -20.0 | mA |
| | | | I_{OL} | - | - | 20.0 | mA |
| | Ports P100 to P115, P201 to P204, P300 to P307, P500 to P503, P600 to P603, P608 to P610, P808, P809 (total 41 pins) | Low drive*1 | I_{OH} | - | - | -4.0 | mA |
| | | | I_{OL} | - | - | 4.0 | mA |
| | | Middle drive*2 | I_{OH} | - | - | -4.0 | mA |
| | | | I_{OL} | - | - | 8.0 | mA |
| | Ports P914, P915 | - | I_{OH} | - | - | -4.0 | mA |
| | | | I_{OL} | - | - | 4.0 | mA |
| Other output pin*3 | Low drive*1 | I_{OH} | - | - | -4.0 | mA | |
| | | I_{OL} | - | - | 4.0 | mA | |
| | Middle drive*2 | I_{OH} | - | - | -8.0 | mA | |
| | | I_{OL} | - | - | 8.0 | mA | |
| Permissible output current (max value total pins) | Total of ports P000 to P008, P010 to P015 | $\Sigma I_{OH}(\max)$ | - | - | -30 | mA | |
| | | $\Sigma I_{OL}(\max)$ | - | - | 30 | mA | |
| | Ports P914, P915 | $\Sigma I_{OH}(\max)$ | - | - | -2.0 | mA | |
| | | $\Sigma I_{OL}(\min)$ | - | - | 2.0 | mA | |
| | Total of all output pin*5 | $\Sigma I_{OH}(\max)$ | - | - | -60 | mA | |
| | | $\Sigma I_{OL}(\max)$ | - | - | 60 | mA | |

Caution: To protect the reliability of the MCU, the output current values should not exceed the values in this table. The average output current indicates the average value of current measured during 100 μ s.

Note 1. This is the value when low driving ability is selected with the Port Drive Capability bit in PmnPFS register.

Note 2. This is the value when middle driving ability is selected with the Port Drive Capability bit in PmnPFS register.

Note 3. Except for ports P200, P214, P215, which are input ports.

Note 4. This is the value when middle driving ability for IIC Fast-mode is selected with the Port Drive Capability bit in PmnPFS register.

Note 5. For details on the permissible output current used with CTSU, see [section 48.11, CTSU Characteristics](#).

48.2.4 I/O V_{OH} , V_{OL} , and Other Characteristics**Table 48.7** I/O V_{OH} , V_{OL} (1)Conditions: $V_{CC} = AV_{CC0} = V_{CC_USB} = V_{CC_USB_LCO} = 4.0$ to 5.5 V

| Parameter | | Symbol | Min | Typ | Max | Unit | Test conditions | |
|----------------|----------------------------------|------------------|---------------------|------------------|-----|------|--------------------|--------------------|
| Output voltage | IIC*1 | V_{OL} | - | - | 0.4 | V | $I_{OL} = 3.0$ mA | |
| | | $V_{OL}^{*2,*5}$ | - | - | 0.6 | | $I_{OL} = 6.0$ mA | |
| | Ports P408, P409*2, *3 | V_{OH} | $V_{CC} - 1.0$ | - | - | | $I_{OH} = -20$ mA | |
| | | V_{OL} | - | - | 1.0 | | $I_{OL} = 20$ mA | |
| | Ports P000 to P008, P010 to P015 | Low drive | V_{OH} | $AV_{CC0} - 0.8$ | - | | - | $I_{OH} = -2.0$ mA |
| | | | V_{OL} | - | - | | 0.8 | $I_{OL} = 2.0$ mA |
| | | Middle drive | V_{OH} | $AV_{CC0} - 0.8$ | - | | - | $I_{OH} = -4.0$ mA |
| | | | V_{OL} | - | - | | 0.8 | $I_{OL} = 4.0$ mA |
| | Ports P914, P915 | V_{OH} | $V_{CC_USB} - 0.8$ | - | - | | $I_{OH} = -2.0$ mA | |
| | | V_{OL} | - | - | 0.8 | | $I_{OL} = 2.0$ mA | |
| | Other output pins*4 | Low drive | V_{OH} | $V_{CC} - 0.8$ | - | | - | $I_{OH} = -2.0$ mA |
| | | | V_{OL} | - | - | | 0.8 | $I_{OL} = 2.0$ mA |
| | | Middle drive*6 | V_{OH} | $V_{CC} - 0.8$ | - | | - | $I_{OH} = -4.0$ mA |
| | | | V_{OL} | - | - | | 0.8 | $I_{OL} = 4.0$ mA |

Note 1. P100, P101, P204, P205, P206, P400, P401, P407, P408 (total 9 pins).

Note 2. This is the value when middle driving ability is selected with the Port Drive Capability bit in PmnPFS register.

Note 3. Based on characterization data, not tested in production.

Note 4. Except for ports P200, P214, P215, which are input ports.

Note 5. This is the value when middle driving ability for IIC is selected in the Port Drive Capability bit in PmnPFS register for P408.

Note 6. Except for P212, P213.

Table 48.8 I/O V_{OH} , V_{OL} (2)Conditions: $V_{CC} = AV_{CC0} = V_{CC_USB} = V_{CC_USB_LCO} = 2.7$ to 4.0 V

| Parameter | | Symbol | Min | Typ | Max | Unit | Test conditions | |
|----------------|----------------------------------|------------------|---------------------|------------------|-----|------|---------------------------------------|--------------------|
| Output voltage | IIC*1 | V_{OL} | - | - | 0.4 | V | $I_{OL} = 3.0$ mA | |
| | | $V_{OL}^{*2,*5}$ | - | - | 0.6 | | $I_{OL} = 6.0$ mA | |
| | Ports P408, P409*2, *3 | V_{OH} | $V_{CC} - 1.0$ | - | - | | $I_{OH} = -20$ mA $V_{CC} = 3.3$ V | |
| | | V_{OL} | - | - | 1.0 | | $I_{OL} = 20$ mA $V_{CC} = 3.3$ V | |
| | Ports P000 to P008, P010 to P015 | Low drive | V_{OH} | $AV_{CC0} - 0.5$ | - | | - | $I_{OH} = -1.0$ mA |
| | | | V_{OL} | - | - | | 0.5 | $I_{OL} = 1.0$ mA |
| | | Middle drive | V_{OH} | $AV_{CC0} - 0.5$ | - | | - | $I_{OH} = -2.0$ mA |
| | | | V_{OL} | - | - | | 0.5 | $I_{OL} = 2.0$ mA |
| | Ports P914, P915 | V_{OH} | $V_{CC_USB} - 0.5$ | - | - | | $I_{OH} = -1.0$ mA | |
| | | V_{OL} | - | - | 0.5 | | $I_{OL} = 1.0$ mA | |
| | Other output pins*4 | Low drive | V_{OH} | $V_{CC} - 0.5$ | - | | - | $I_{OH} = -1.0$ mA |
| | | | V_{OL} | - | - | | 0.5 | $I_{OL} = 1.0$ mA |
| | | Middle drive*6 | V_{OH} | $V_{CC} - 0.5$ | - | | - | $I_{OH} = -2.0$ mA |
| | | | V_{OL} | - | - | | 0.5 | $I_{OL} = 2.0$ mA |

Note 1. P100, P101, P204, P205, P206, P400, P401, P407, P408 (total 9 pins).

Note 2. This is the value when middle driving ability is selected with the Port Drive Capability bit in PmnPFS register.

Note 3. Based on characterization data, not tested in production.

Note 4. Except for ports P200, P214, P215, which are input ports.

Note 5. This is the value when middle driving ability for IIC is selected in the Port Drive Capability bit in PmnPFS register for P408.

Note 6. Except for P212, P213.

Table 48.9 I/O V_{OH} , V_{OL} (3)Conditions: $VCC = AVCC0 = VCC_USB = VCC_USB_LCO = 1.6$ to 2.7 V

| Parameter | | | Symbol | Min | Typ | Max | Unit | Test conditions |
|----------------|---------------------|--------------|------------------|---------------|-----|--------------------|------|--------------------|
| Output voltage | Ports P000 to P015 | Low drive | V_{OH} | $AVCC0 - 0.3$ | - | - | V | $I_{OH} = -0.5$ mA |
| | | | V_{OL} | - | - | 0.3 | | $I_{OL} = 0.5$ mA |
| | | Middle drive | V_{OH} | $AVCC0 - 0.3$ | - | - | | $I_{OH} = -1.0$ mA |
| | | | V_{OL} | - | - | 0.3 | | $I_{OL} = 1.0$ mA |
| | Ports P914, P915 | V_{OH} | $VCC_USB - 0.3$ | - | - | $I_{OH} = -0.5$ mA | | |
| | | V_{OL} | - | - | 0.3 | $I_{OL} = 0.5$ mA | | |
| | Other output pins*1 | Low drive | V_{OH} | $VCC - 0.3$ | - | - | | $I_{OH} = -0.5$ mA |
| | | | V_{OL} | - | - | 0.3 | | $I_{OL} = 0.5$ mA |
| Middle drive*2 | | V_{OH} | $VCC - 0.3$ | - | - | $I_{OH} = -1.0$ mA | | |
| | | V_{OL} | - | - | 0.3 | $I_{OL} = 1.0$ mA | | |

Note 1. Except for ports P200, P214, P215, which are input ports.

Note 2. Except for P212, P213.

Table 48.10 I/O other characteristicsConditions: $VCC = AVCC0 = 1.6$ to 5.5 V

| Parameter | | Symbol | Min | Typ | Max | Unit | Test conditions |
|-----------------------------------------|------------------------------------------------------------------|-------------|-----|-----|-----|------------|-----------------------------------------------------|
| Input leakage current | RES, P200, P214, P215 | $ I_{in} $ | - | - | 1.0 | μ A | $V_{in} = 0$ V $V_{in} = VCC$ |
| Three-state leakage current (off state) | 5 V-tolerant ports | $ I_{TSI} $ | - | - | 1.0 | μ A | $V_{in} = 0$ V $V_{in} = 5.8$ V |
| | Other ports (except for ports P200, P214, P215 and 5 V tolerant) | | - | - | 1.0 | | $V_{in} = 0$ V $V_{in} = VCC$ |
| Input pull-up resistor | All ports (except for ports P200, P214, P215, P914, P915) | R_U | 10 | 20 | 50 | k Ω | $V_{in} = 0$ V |
| Input capacitance | P914, P915, P100 to P103, P111, P112, P200 | C_{in} | - | - | 30 | pF | $V_{in} = 0$ V $f = 1$ MHz $T_a = 25^\circ$ C |
| | Other input pins | | - | - | 15 | | |

48.2.5 I/O Pin Output Characteristics of Low Drive Capacity

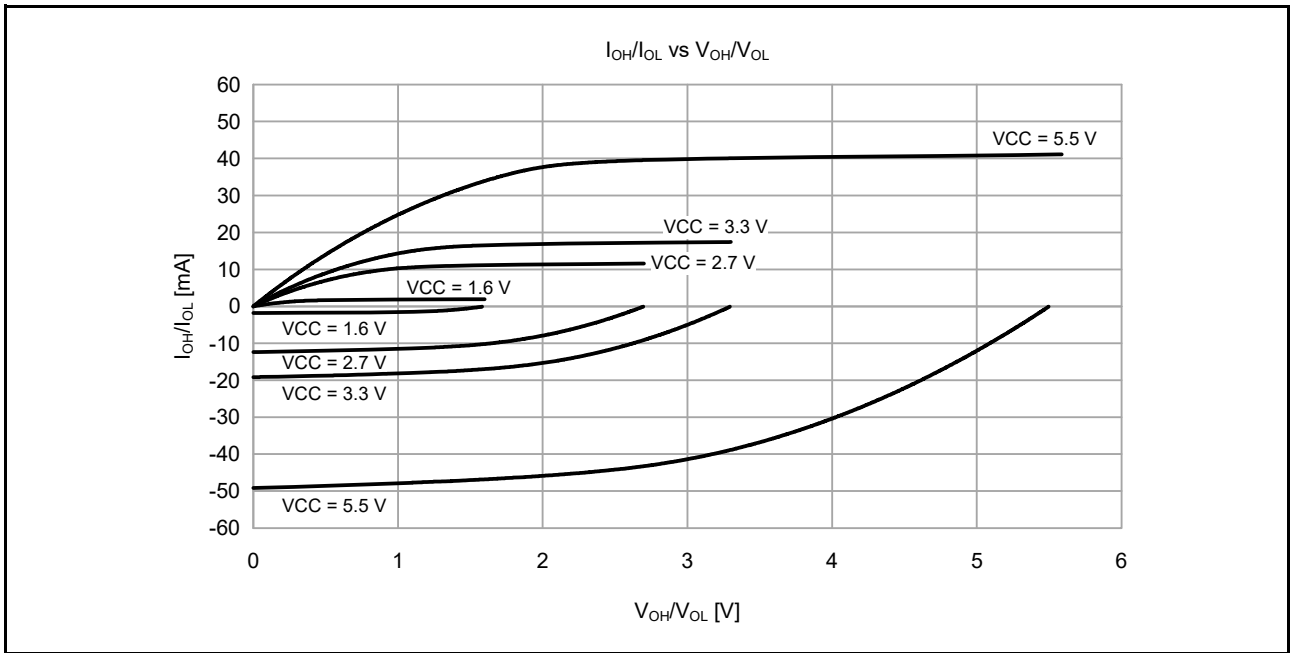


Figure 48.2 V_{OH}/V_{OL} and I_{OH}/I_{OL} Voltage Characteristics at $T_a = 25^\circ\text{C}$ when low drive output is selected (reference data)

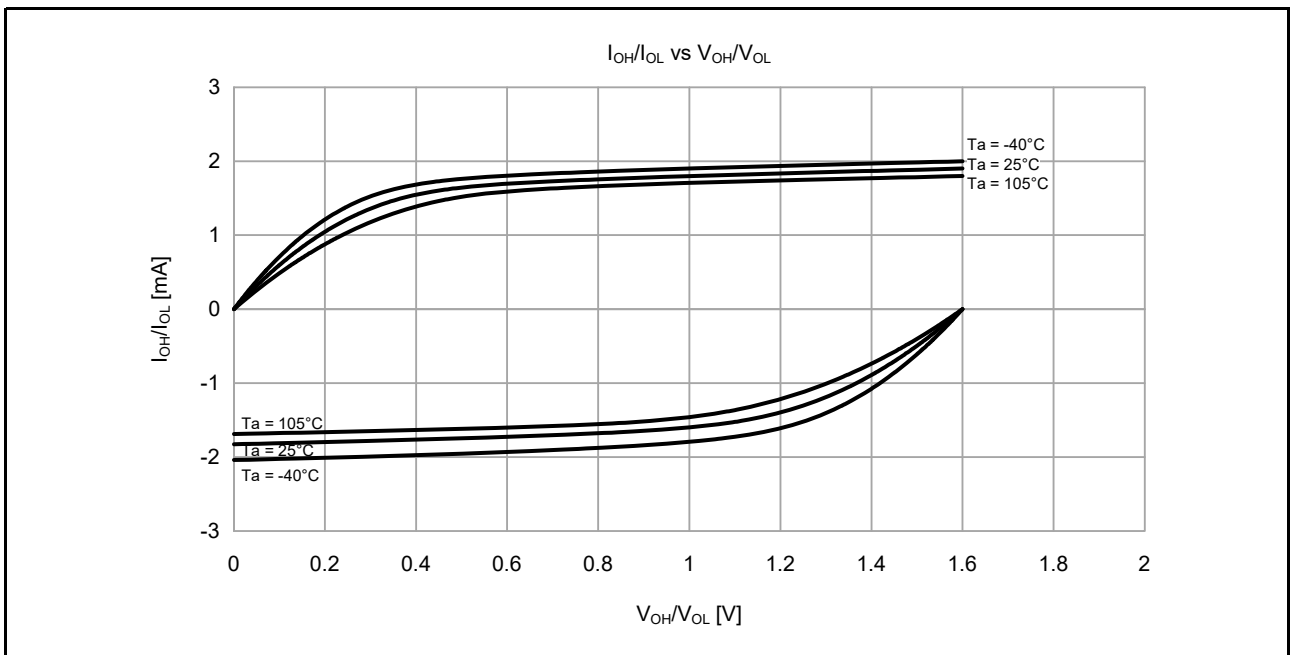


Figure 48.3 V_{OH}/V_{OL} and I_{OH}/I_{OL} temperature characteristics at $V_{CC} = 1.6\text{V}$ when low drive output is selected (reference data)

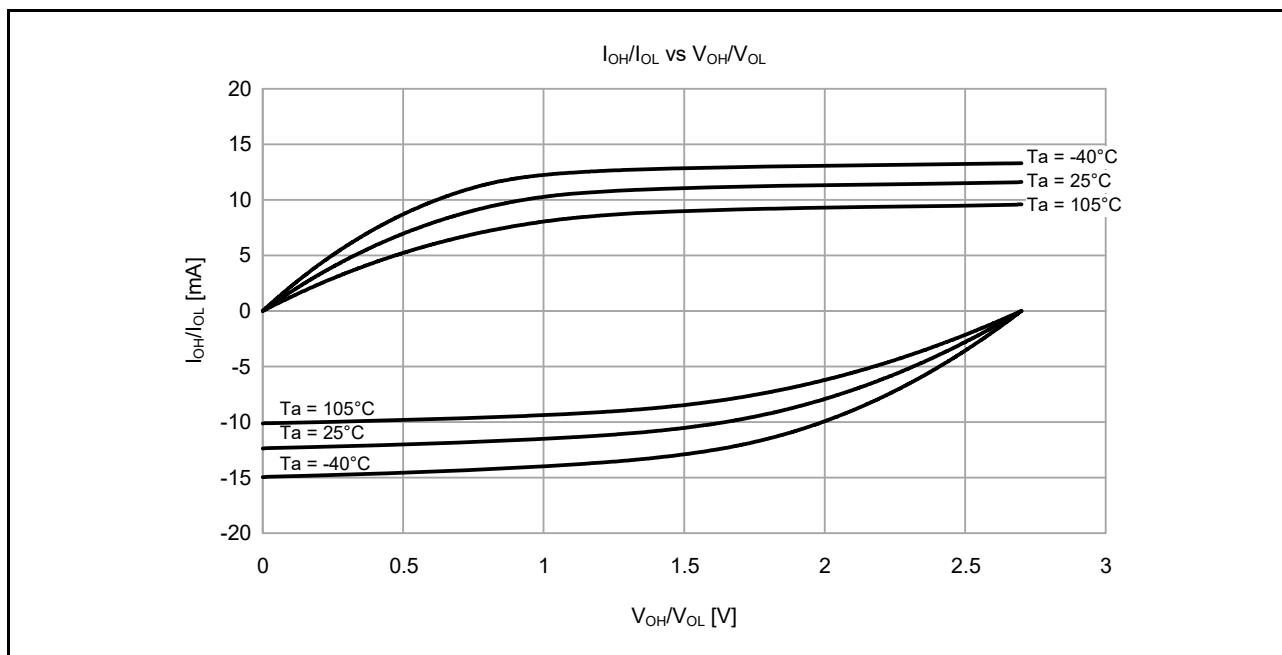


Figure 48.4 V_{OH}/V_{OL} and I_{OH}/I_{OL} temperature characteristics at $V_{CC} = 2.7$ V when low drive output is selected (reference data)

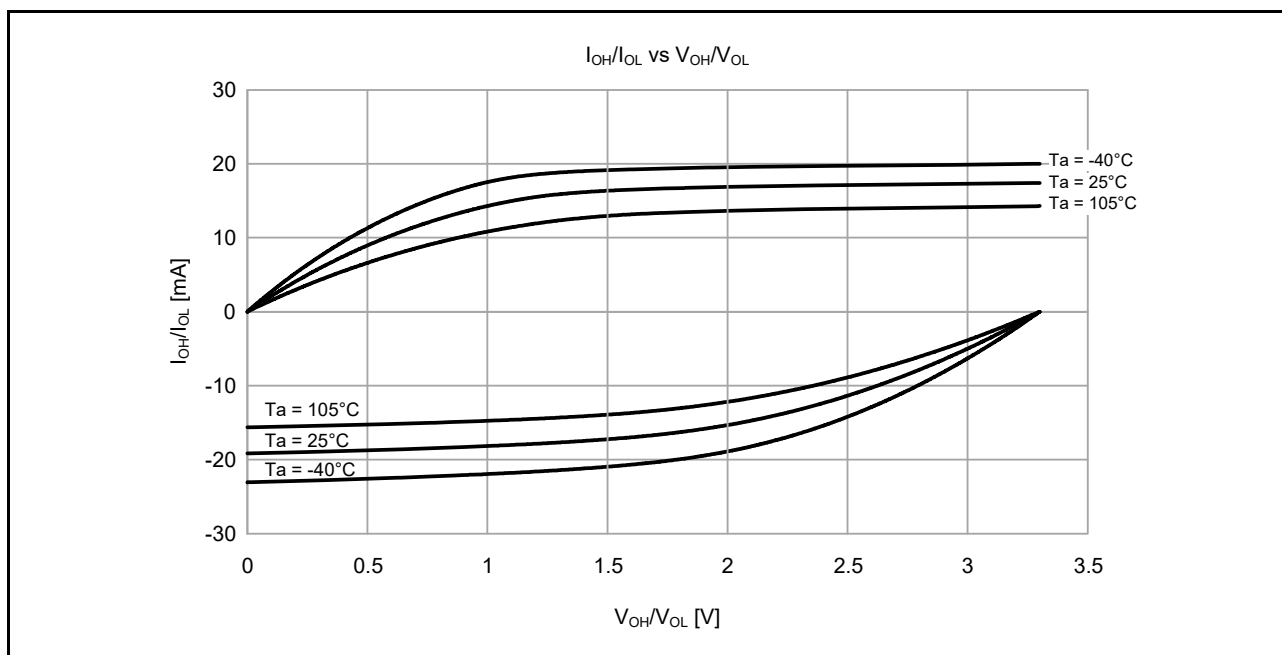


Figure 48.5 V_{OH}/V_{OL} and I_{OH}/I_{OL} temperature characteristics at $V_{CC} = 3.3$ V when low drive output is selected (reference data)

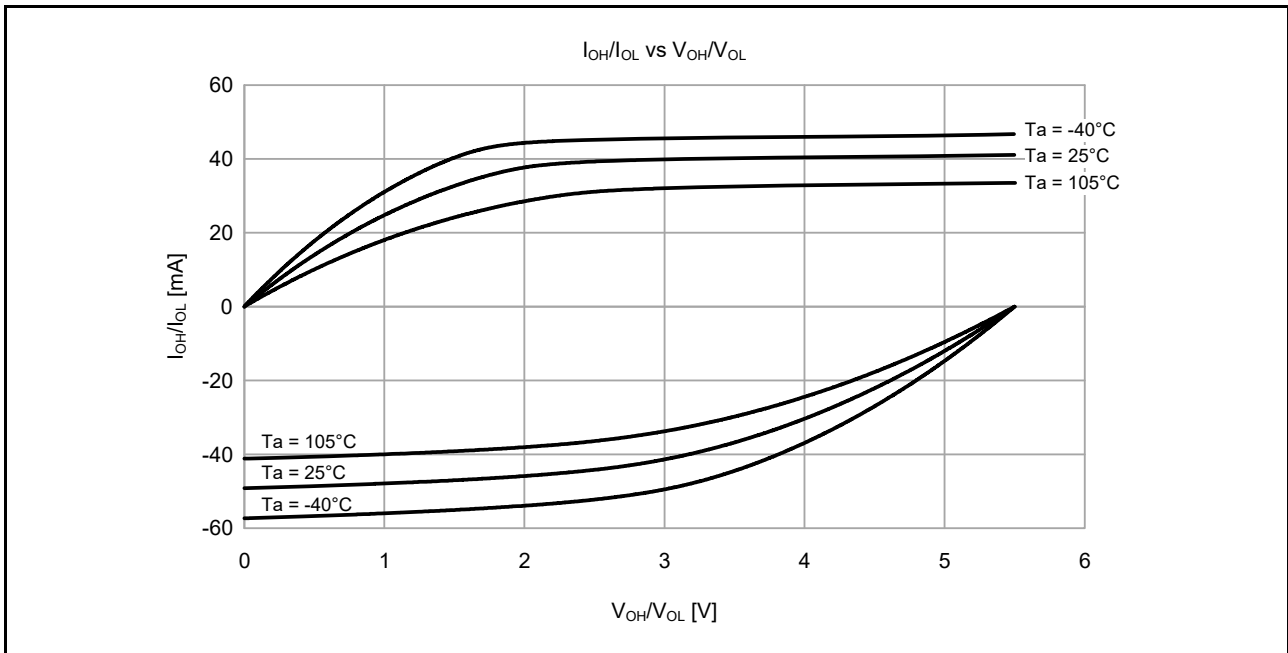


Figure 48.6 V_{OH}/V_{OL} and I_{OH}/I_{OL} temperature characteristics at $V_{CC} = 5.5$ V when low drive output is selected (reference data)

48.2.6 I/O Pin Output Characteristics of Middle Drive Capacity

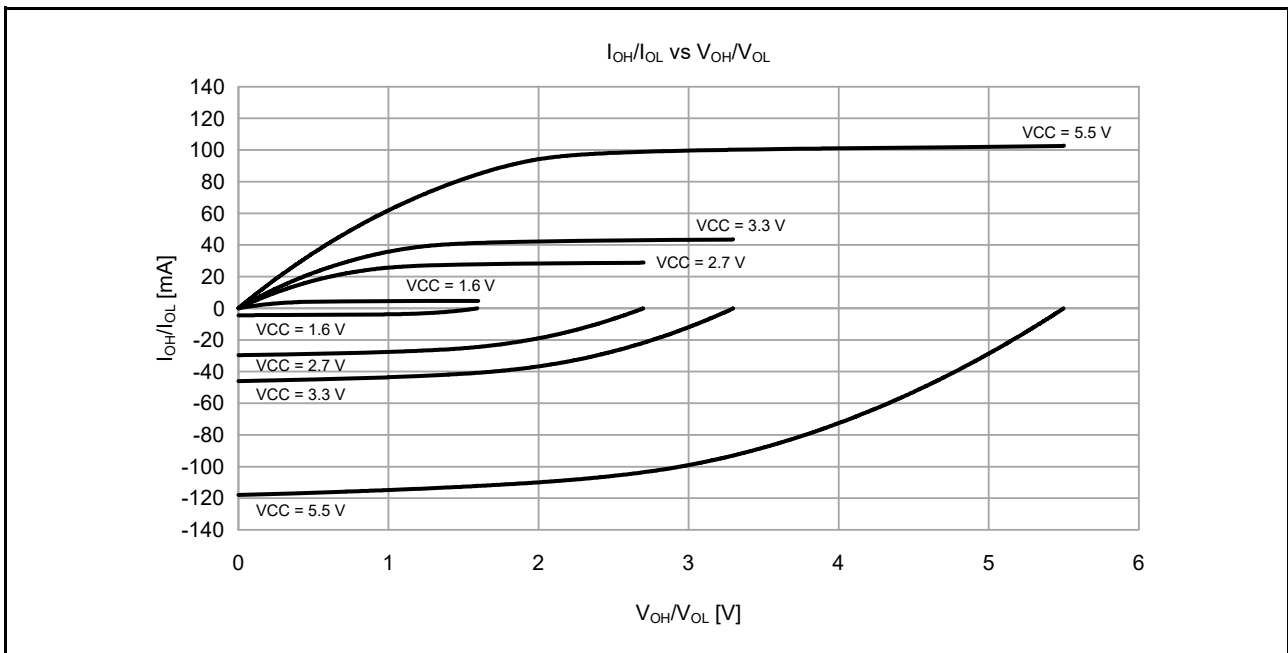


Figure 48.7 V_{OH}/V_{OL} and I_{OH}/I_{OL} voltage characteristics at $T_a = 25^\circ\text{C}$ when middle drive output is selected (reference data)

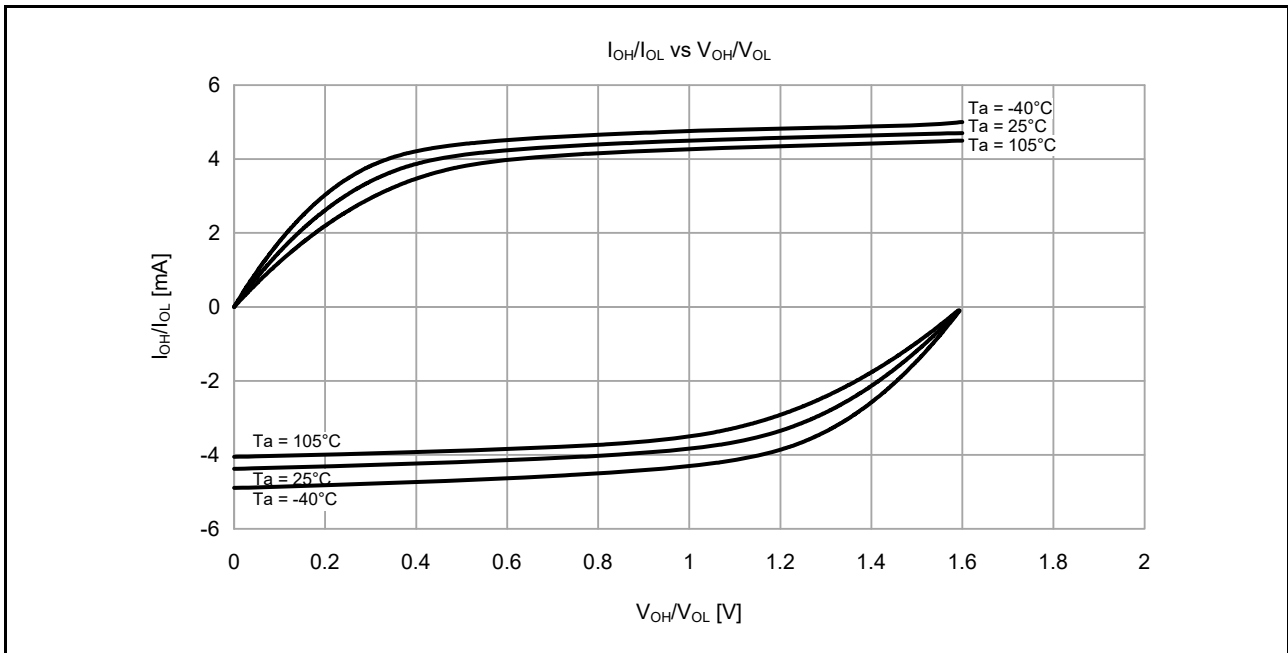


Figure 48.8 V_{OH}/V_{OL} and I_{OH}/I_{OL} temperature characteristics at $V_{CC} = 1.6$ V when middle drive output is selected (reference data)

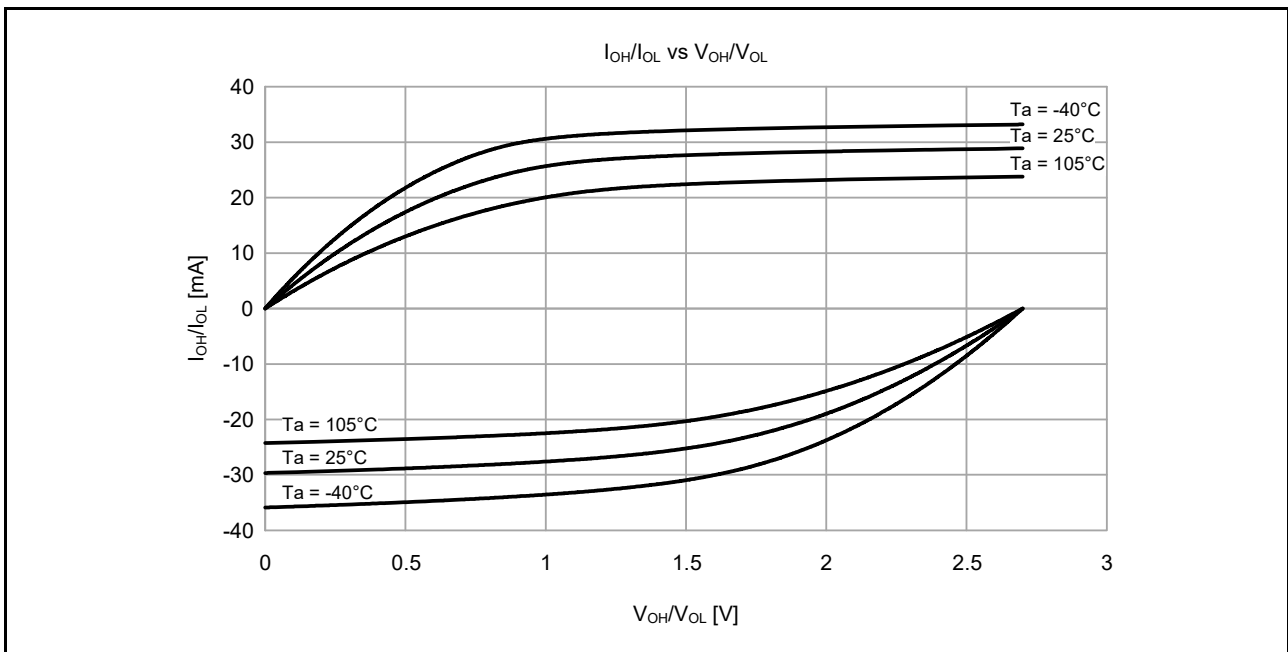


Figure 48.9 V_{OH}/V_{OL} and I_{OH}/I_{OL} temperature characteristics at $V_{CC} = 2.7$ V when middle drive output is selected (reference data)

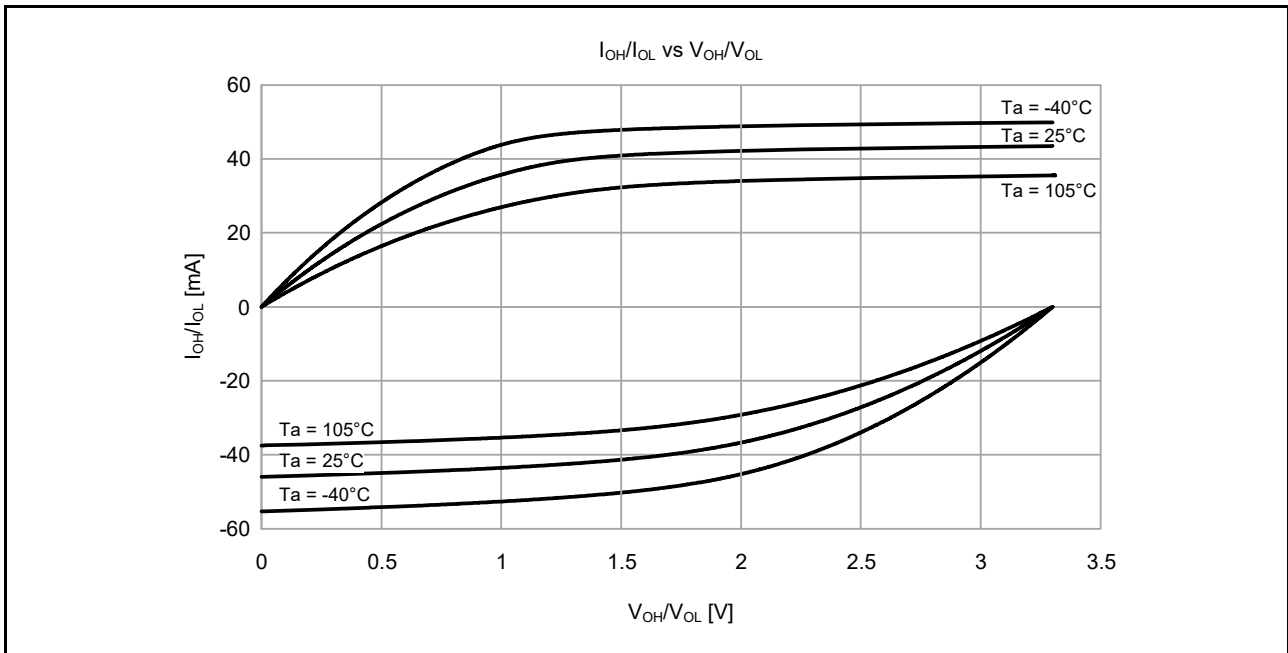


Figure 48.10 V_{OH}/V_{OL} and I_{OH}/I_{OL} temperature characteristics at $V_{CC} = 3.3$ V when middle drive output is selected (reference data)

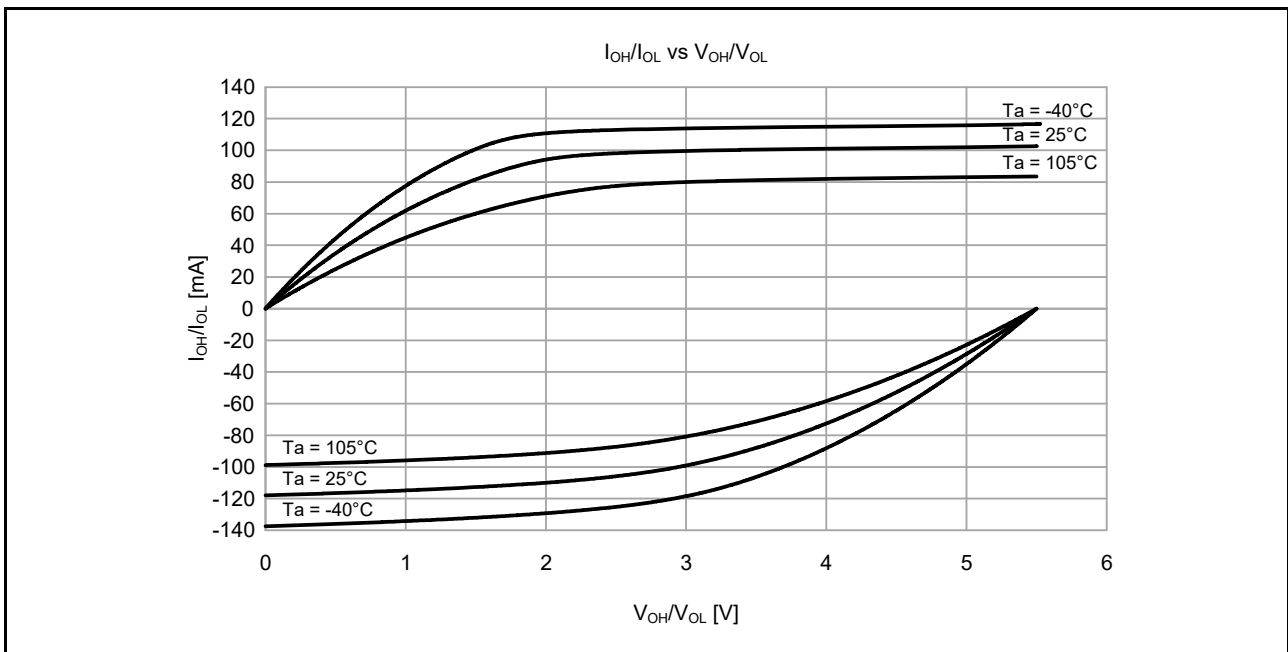


Figure 48.11 V_{OH}/V_{OL} and I_{OH}/I_{OL} temperature characteristics at $V_{CC} = 5.5$ V when middle drive output is selected (reference data)

48.2.7 P408, P409 I/O Pin Output Characteristics of Middle Drive Capacity

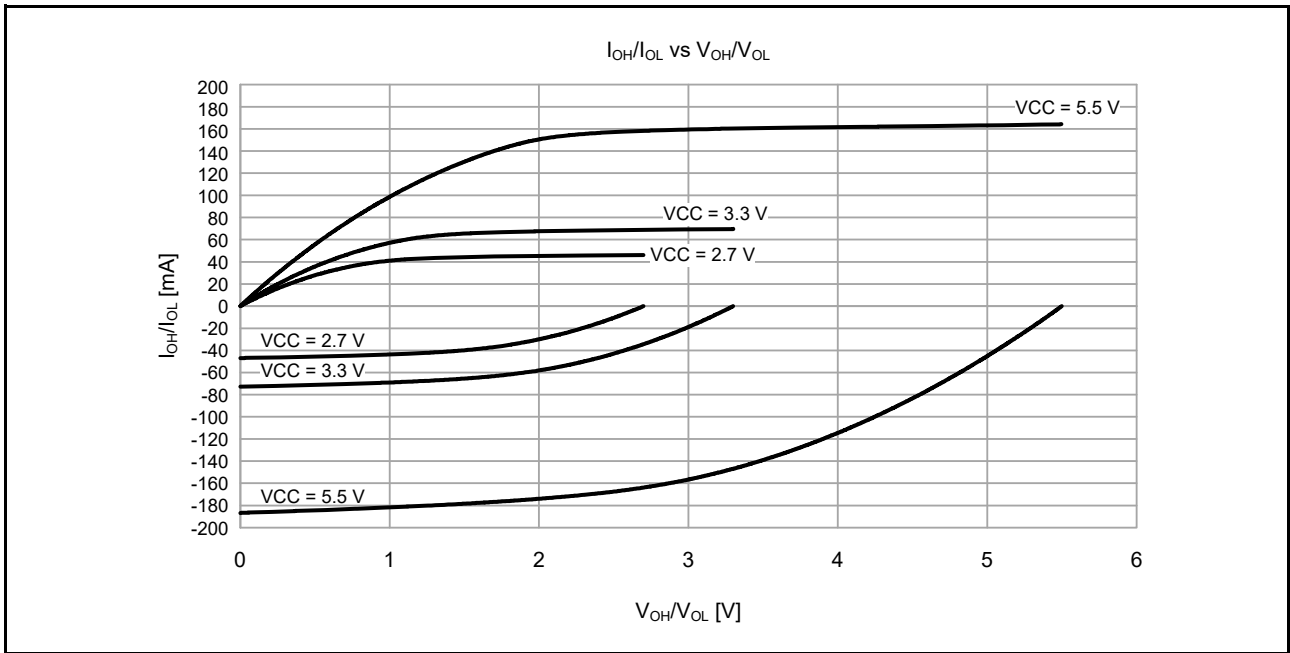


Figure 48.12 V_{OH/V_{OL}} and I_{OH/I_{OL}} voltage characteristics at Ta = 25°C when middle drive output is selected (reference data)

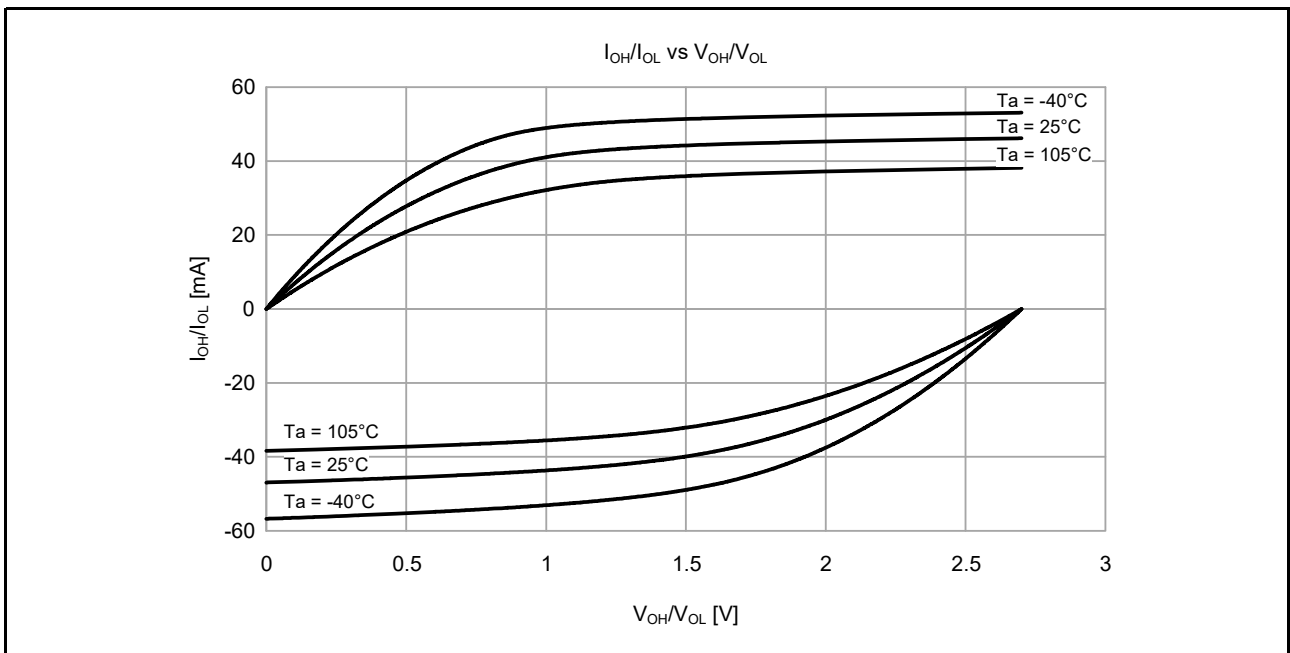


Figure 48.13 V_{OH/V_{OL}} and I_{OH/I_{OL}} temperature characteristics at VCC = 2.7 V when middle drive output is selected (reference data)

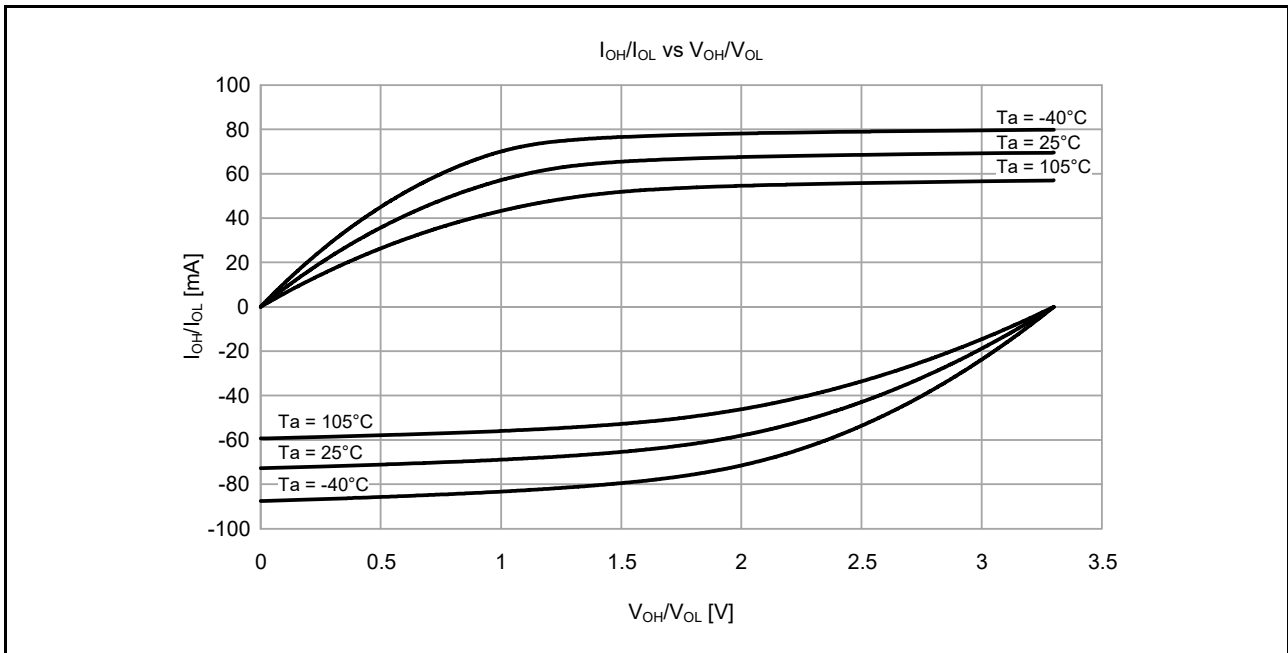


Figure 48.14 V_{OH}/V_{OL} and I_{OH}/I_{OL} temperature characteristics at $V_{CC} = 3.3$ V when middle drive output is selected (reference data)

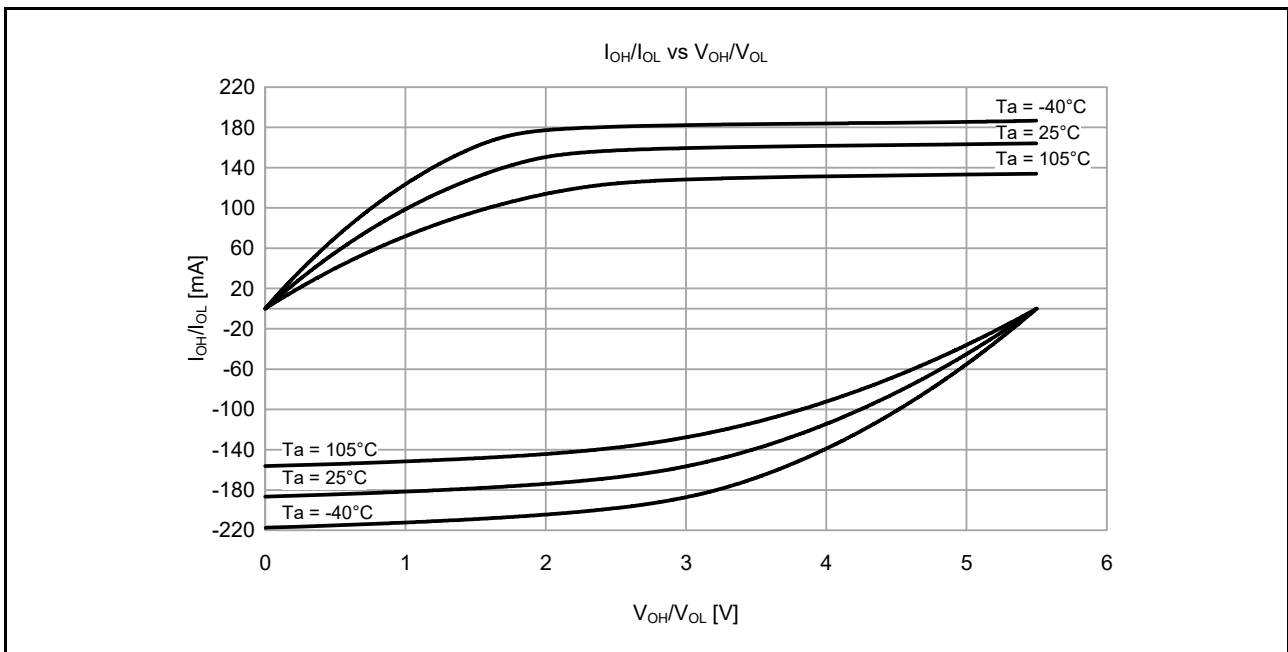


Figure 48.15 V_{OH}/V_{OL} and I_{OH}/I_{OL} temperature characteristics at $V_{CC} = 5.5$ V when middle drive output is selected (reference data)

48.2.8 IIC I/O Pin Output Characteristics

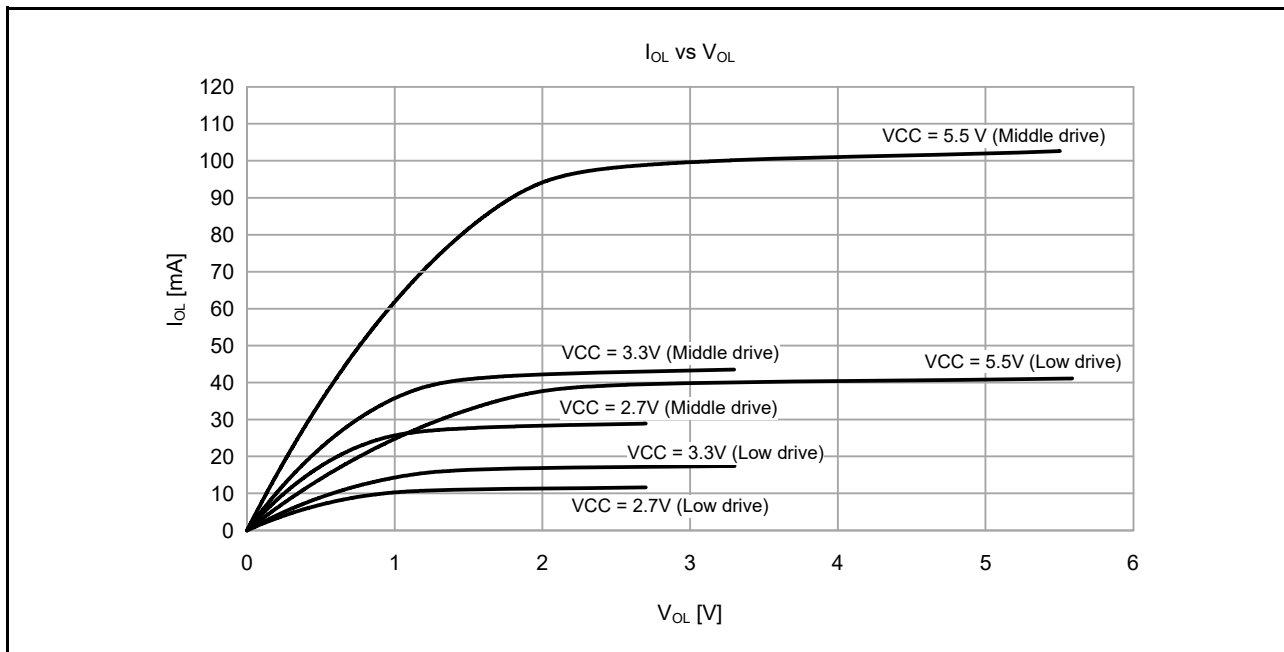


Figure 48.16 V_{OH}/V_{OL} and I_{OH}/I_{OL} voltage characteristics at Ta = 25°C

48.2.9 Operating and Standby Current

Table 48.11 Operating and standby current (1) (1 of 2)

Conditions: VCC = AVCC0 = 1.6 to 5.5 V

| Parameter | | | | | Symbol | Typ*10 | Max | Unit | Test conditions | | | | |
|----------------------------------------------------------|-------------------|---------------------------------------------------------------------|----------------------------------------------------------------------|----------------------------------------------------------------------|-----------------|-----------------|------|------|-----------------|-----|----|---|--|
| Supply current*1 | High-speed mode*2 | Normal mode | All peripheral clock disabled, while (1) code executing from flash*5 | ICLK = 48 MHz | I _{CC} | 8.3 | - | mA | *7 | | | | |
| | | | | ICLK = 32 MHz | | 5.8 | - | | | | | | |
| | | | | ICLK = 16 MHz | | 3.5 | - | | | | | | |
| | | | | ICLK = 8 MHz | | 2.2 | - | | | | | | |
| | | | All peripheral clock disabled, CoreMark code executing from flash*5 | ICLK = 48 MHz | | 16.4 | - | | | | | | |
| | | | | ICLK = 32 MHz | | 11.3 | - | | | | | | |
| | | | | ICLK = 16 MHz | | 6.4 | - | | | | | | |
| | | | | ICLK = 8 MHz | | 4.0 | - | | | | | | |
| | | | All peripheral clock enabled, while (1) code executing from flash*5 | ICLK = 48 MHz | | 18.5 | - | | | *9 | | | |
| | | | | ICLK = 32 MHz | | 13.8 | - | | | *8 | | | |
| | | | | ICLK = 16 MHz | | 7.7 | - | | | | | | |
| | | | | ICLK = 8 MHz | | 4.5 | - | | | | | | |
| | | All peripheral clock enabled, code executing from SRAM*5 | ICLK = 48 MHz | - | 50.0 | *9 | | | | | | | |
| | | | Sleep mode | | | | | | | | | | |
| | | Middle-speed mode*2 | Normal mode | All peripheral clock disabled, while (1) code executing from flash*5 | ICLK = 48 MHz | I _{CC} | 3.3 | - | mA | *7 | | | |
| | | | | | ICLK = 32 MHz | | 2.4 | - | | | | | |
| | | | | | ICLK = 16 MHz | | 1.8 | - | | | | | |
| | | | | | ICLK = 8 MHz | | 1.4 | - | | | | | |
| | | | | All peripheral clock disabled, CoreMark code executing from flash*5 | ICLK = 48 MHz | | 13.4 | - | | | *9 | | |
| | | | | | ICLK = 32 MHz | | 10.4 | - | | | *8 | | |
| | | | | | ICLK = 16 MHz | | 6.0 | - | | | | | |
| | | | | | ICLK = 8 MHz | | 3.6 | - | | | | | |
| | | | | All peripheral clock enabled, while (1) code executing from flash*5 | ICLK = 48 MHz | | - | 20.0 | | | | | |
| | | | | | ICLK = 8 MHz | | - | 20.0 | | | | | |
| ICLK = 1 MHz | - | | | | 20.0 | | | | | | | | |
| All peripheral clock enabled, code executing from SRAM*5 | | | | | | | | | | | | | |
| Increase during BGO operation*6 | | | | | 2.5 | - | - | | | | | | |
| Middle-speed mode*2 | Sleep mode | All peripheral clock disabled*5 | ICLK = 12 MHz | I _{CC} | 2.5 | - | mA | *7 | | | | | |
| | | | ICLK = 8 MHz | | 2.0 | - | | | | | | | |
| | | | ICLK = 1 MHz | | 0.9 | - | | | | | | | |
| | | | ICLK = 12 MHz | | 4.7 | - | | | | | | | |
| | | All peripheral clock disabled, CoreMark code executing from flash*5 | ICLK = 8 MHz | | 3.7 | - | | | *8 | | | | |
| | | | ICLK = 1 MHz | | 1.2 | - | | | | | | | |
| | | | ICLK = 12 MHz | | 5.7 | - | | | | | | | |
| | | | ICLK = 8 MHz | | 4.3 | - | | | | | | | |
| | | All peripheral clock enabled, while (1) code executing from flash*5 | ICLK = 1 MHz | | 1.5 | - | | | | | | | |
| | | | All peripheral clock enabled, code executing from SRAM*5 | | | | | | | | | | |
| | | | Increase during BGO operation*6 | | | | | | | 2.5 | - | - | |
| | | | Sleep mode | | | | | | | | | | |
| Middle-speed mode*2 | Normal mode | All peripheral clock disabled*5 | ICLK = 12 MHz | I _{CC} | 1.2 | - | mA | *7 | | | | | |
| | | | ICLK = 8 MHz | | 1.2 | - | | | | | | | |
| | | | ICLK = 1 MHz | | 0.8 | - | | | | | | | |
| | | All peripheral clock enabled*5 | ICLK = 12 MHz | | 4.4 | - | | | *8 | | | | |
| | | | ICLK = 8 MHz | | 3.4 | - | | | | | | | |
| | | | ICLK = 1 MHz | | 1.4 | - | | | | | | | |
| Increase during BGO operation*6 | | | | | 2.5 | - | - | | | | | | |

Table 48.11 Operating and standby current (1) (2 of 2)

Conditions: VCC = AVCC0 = 1.6 to 5.5 V

| Parameter | | | | | Symbol | Typ*10 | Max | Unit | Test conditions | | |
|---------------------|--------------------|----------------------------------------------------------------------|----------------------------------------------------------------------|-----------------|-----------------|-----------------|-----|------|-----------------|----|----|
| Supply current*1 | Low-speed mode*3 | Normal mode | All peripheral clock disabled, while (1) code executing from flash*5 | ICLK = 1 MHz | I _{CC} | 0.4 | - | mA | *7 | | |
| | | | All peripheral clock disabled, CoreMark code executing from flash*5 | ICLK = 1 MHz | | 0.6 | - | | | | |
| | | | All peripheral clock enabled, while (1) code executing from flash*5 | ICLK = 1 MHz | | 1.0 | - | | | *8 | |
| | | | All peripheral clock enabled, code executing from SRAM*5 | ICLK = 1 MHz | | - | 2.2 | | | | |
| | | Sleep mode | All peripheral clock disabled*5 | ICLK = 1 MHz | | 0.3 | - | | *7 | | |
| | | | All peripheral clock enabled*5 | ICLK = 1 MHz | | 0.9 | - | | *8 | | |
| | Low-voltage mode*3 | Normal mode | All peripheral clock disabled, while (1) code executing from flash*5 | ICLK = 4 MHz | | I _{CC} | 1.7 | - | mA | *7 | |
| | | | All peripheral clock disabled, CoreMark code executing from flash*5 | ICLK = 4 MHz | | | 2.8 | - | | | |
| | | | All peripheral clock enabled, while (1) code executing from flash*5 | ICLK = 4 MHz | | | 3.0 | - | | | *8 |
| | | | All peripheral clock enabled, code executing from SRAM*5 | ICLK = 4 MHz | | | - | 8.0 | | | |
| | | Sleep mode | All peripheral clock disabled*5 | ICLK = 4 MHz | | | 1.3 | - | | *7 | |
| | | | All peripheral clock enabled*5 | ICLK = 4 MHz | | | 2.5 | - | | *8 | |
| Subosc-speed mode*4 | Normal mode | All peripheral clock disabled, while (1) code executing from flash*5 | ICLK = 32.768 kHz | I _{CC} | 8.5 | - | μA | *8 | | | |
| | | All peripheral clock enabled, while (1) code executing from flash*5 | ICLK = 32.768 kHz | | 14.9 | - | | | | | |
| | | All peripheral clock enabled, code executing from SRAM*5 | ICLK = 32.768 kHz | | - | 83.0 | | | | | |
| | Sleep mode | All peripheral clock disabled*5 | ICLK = 32.768 kHz | | 5.0 | - | | | | | |
| | | All peripheral clock enabled*5 | ICLK = 32.768 kHz | | 11.4 | - | | | | | |

Note 1. Supply current values do not include output charge/discharge current from all pins. The values apply when internal pull-up MOSs are in the off state.

Note 2. The clock source is HOCO.

Note 3. The clock source is MOCO.

Note 4. The clock source is the sub-clock oscillator.

Note 5. This does not include BGO operation.

Note 6. This is the increase for programming or erasure of the flash memory for data storage during program execution.

Note 7. FCLK, PCLKA, PCLKB, PCLKC, and PCLKD are set to divided by 64.

Note 8. FCLK, PCLKA, PCLKB, PCLKC, and PCLKD are the same frequency as that of ICLK.

Note 9. FCLK and PCLKB are set to divided by 2 and PCLKA, PCLKC, and PCLKD are the same frequency as that of ICLK.

Note 10. VCC = 3.3 V.

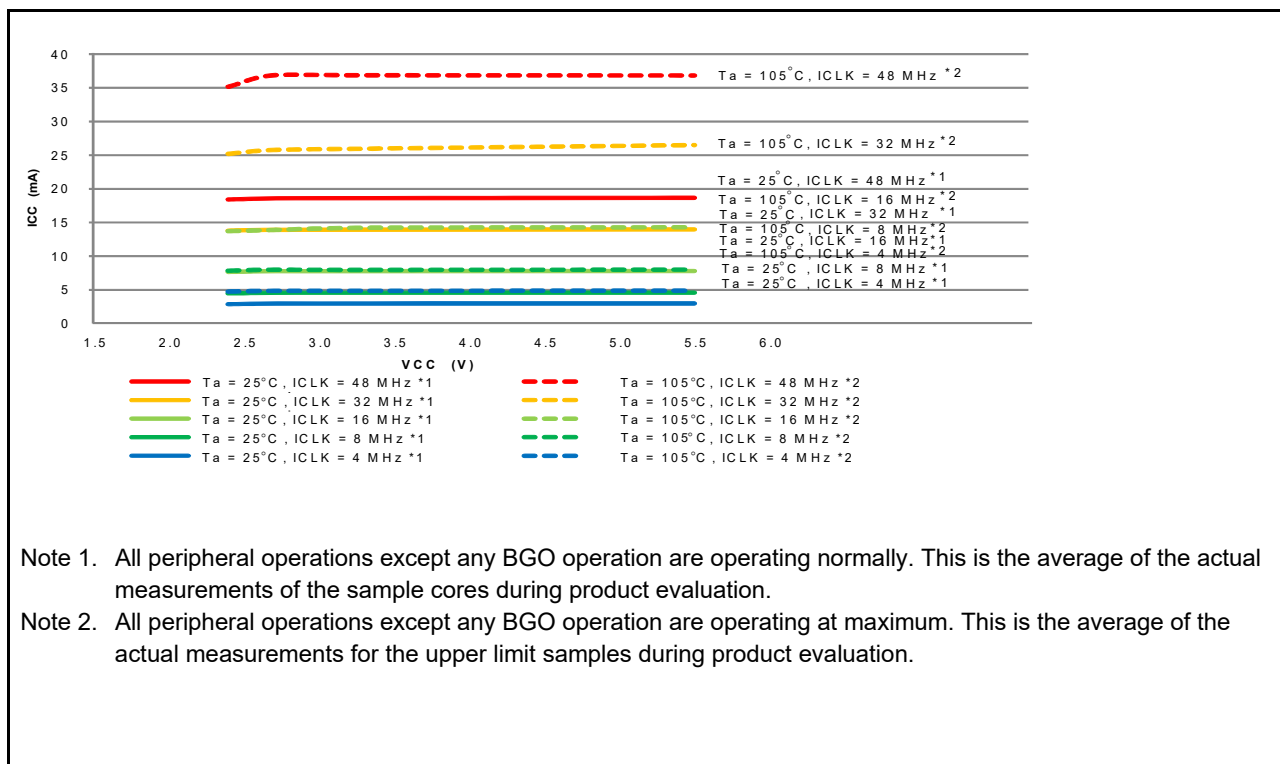


Figure 48.17 Voltage dependency in high-speed operating mode (reference data)

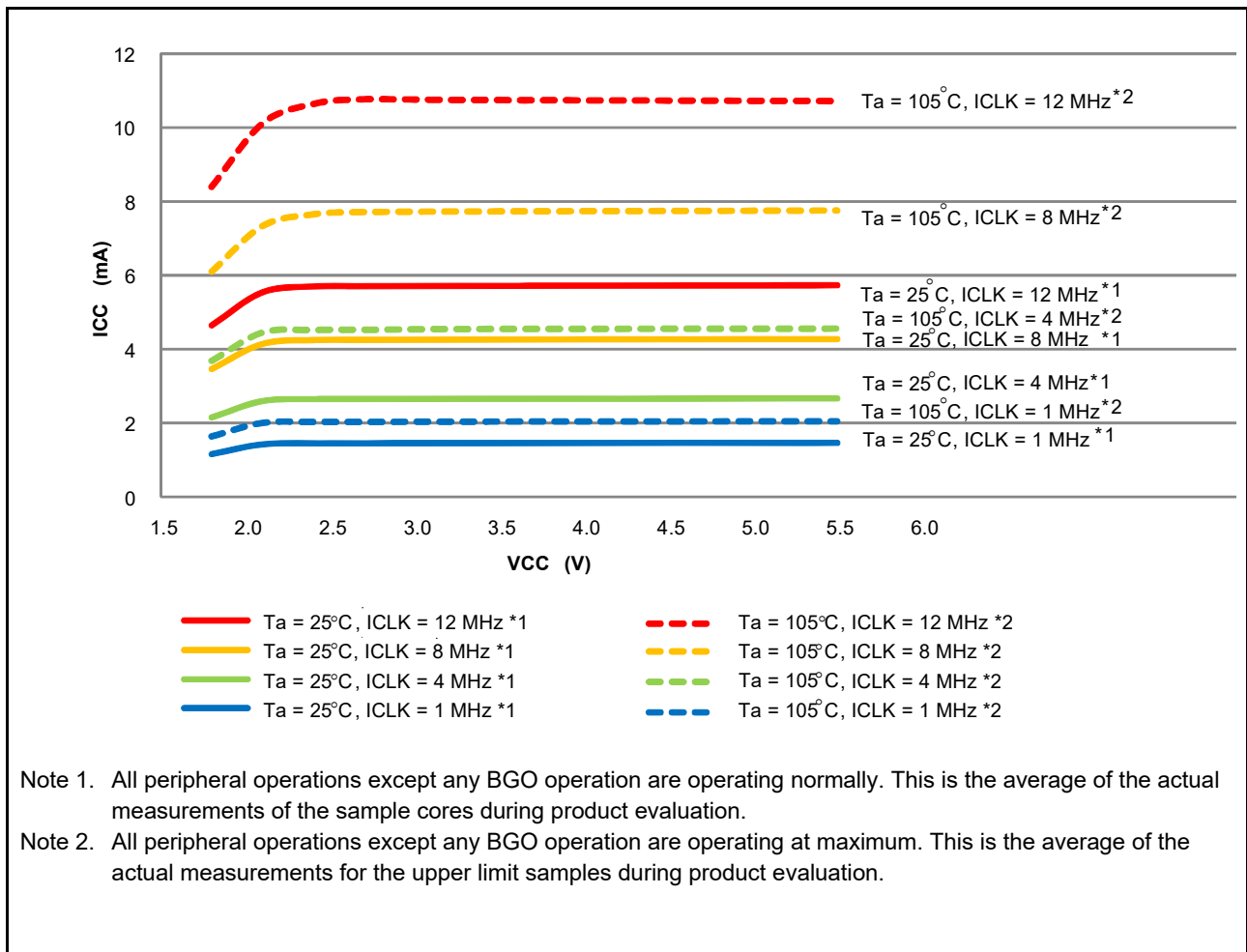


Figure 48.18 Voltage dependency in middle-speed operating mode (reference data)

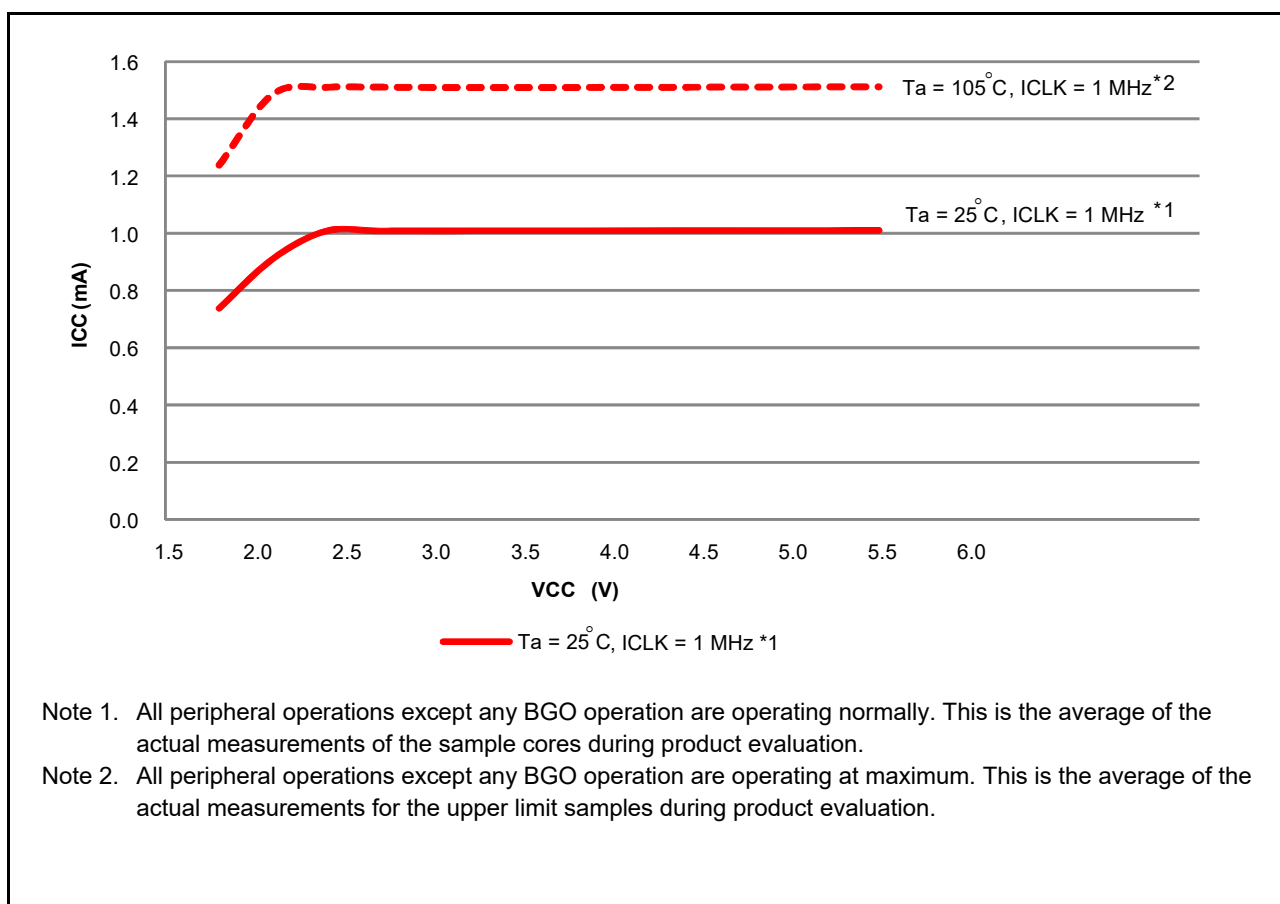


Figure 48.19 Voltage dependency in Low-speed mode (reference data)

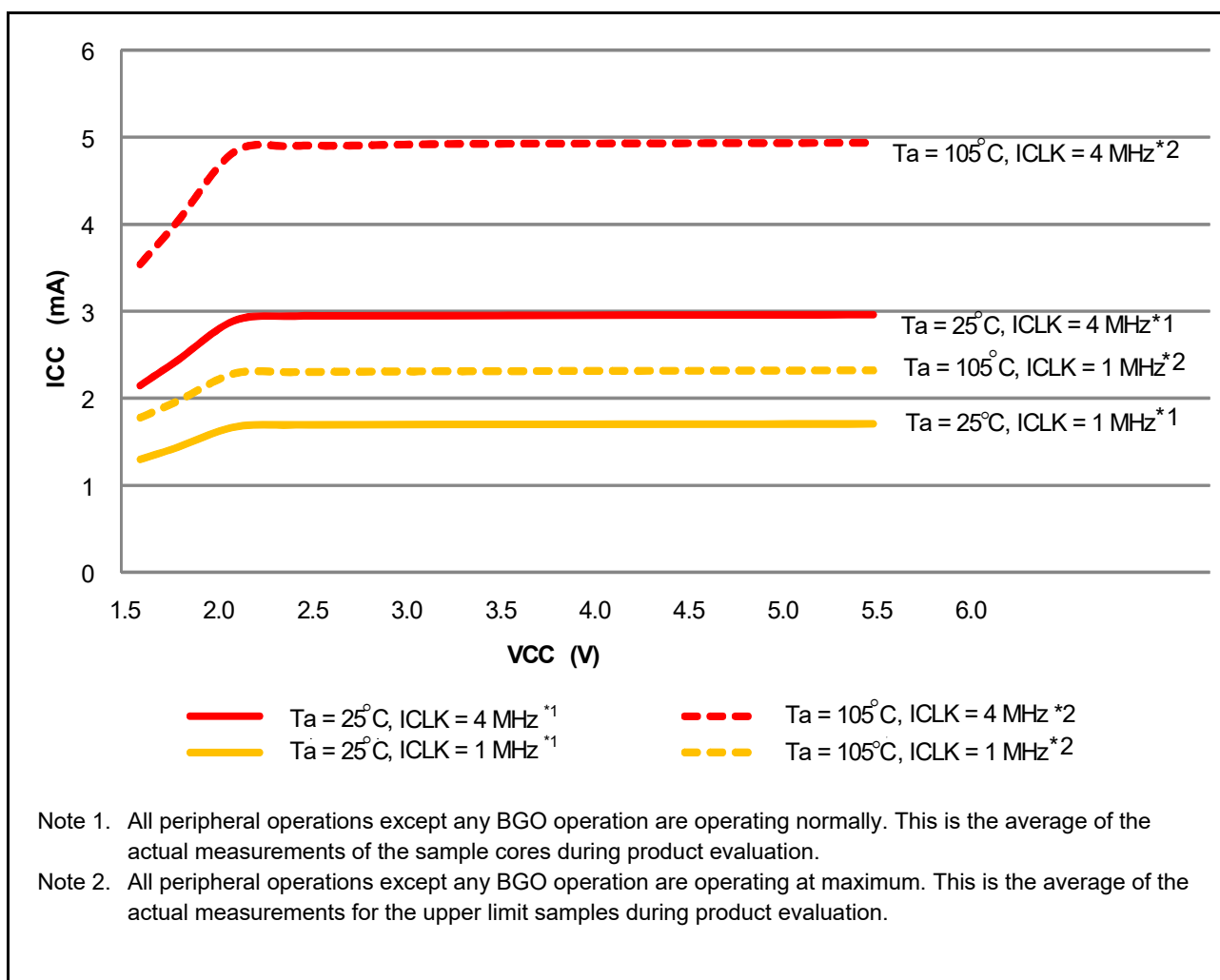


Figure 48.20 Voltage dependency in low-voltage mode (reference data)

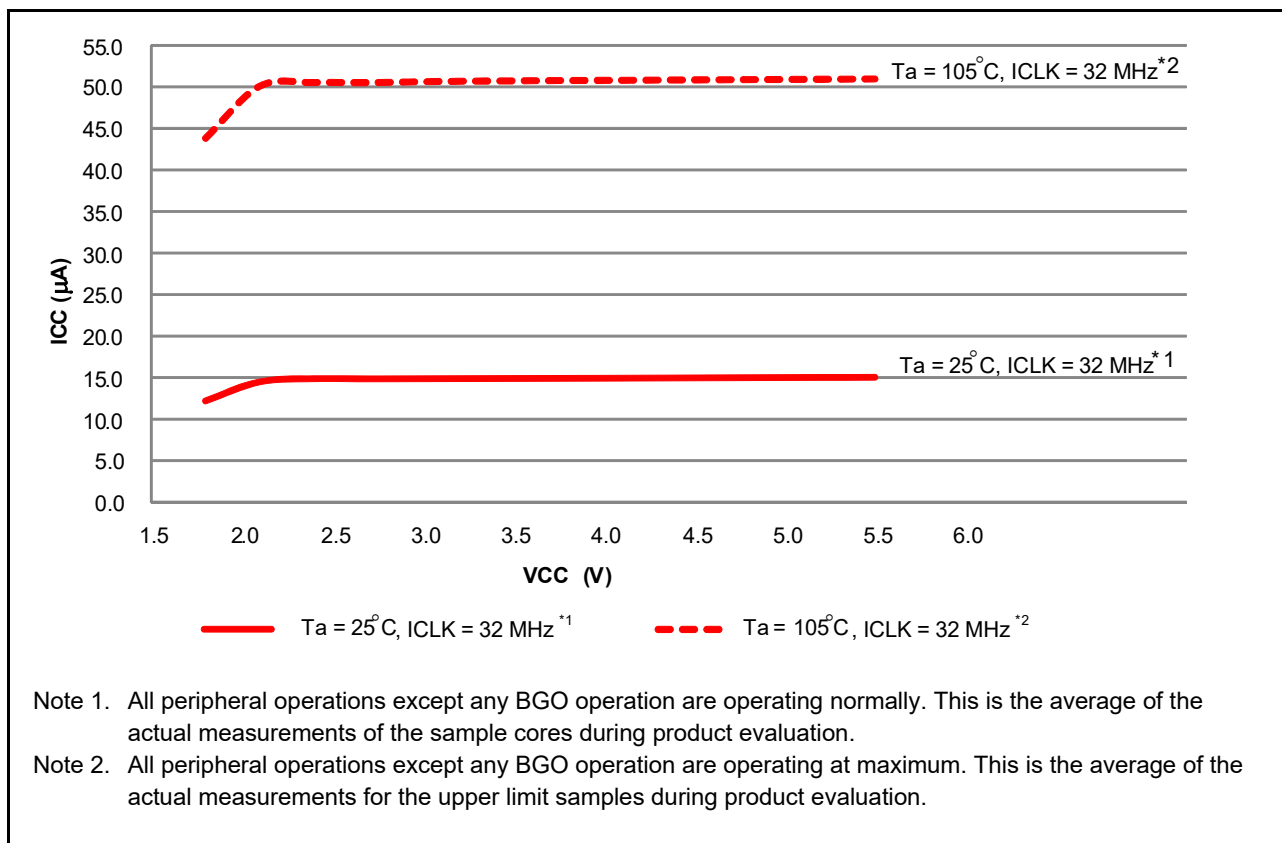


Figure 48.21 Voltage dependency in Subosc-speed mode (reference data)

Table 48.12 Operating and standby current (2)

Conditions: VCC = AVCC0 = 1.6 to 5.5 V

| Parameter | | Symbol | Typ*4 | Max | Unit | Test conditions | |
|------------------|-----------------------------------------------------------------|-----------------|------------------------|-----|------|-----------------|---------------------------------------------|
| Supply current*1 | Software Standby mode*2 | I _{CC} | T _a = 25°C | 0.8 | 4.5 | µA | - |
| | | | T _a = 55°C | 1.3 | 7.1 | | |
| | | | T _a = 85°C | 3.5 | 20.2 | | |
| | | | T _a = 105°C | 8.7 | 53.7 | | |
| | Increment for RTC operation with low-speed on-chip oscillator*3 | | | 0.5 | - | | - |
| | Increment for RTC operation with sub-clock oscillator*3 | | | 0.4 | - | | SOMCR.SODRV[1:0] are 11b (Low power mode 3) |
| | | | | 1.2 | - | | SOMCR.SODRV[1:0] are 00b (Normal mode) |

Note 1. Supply current values do not include output charge/discharge current from all pins. The values apply when internal pull-up MOSs are in the off state.

Note 2. The IWDG and LVD are not operating.

Note 3. Includes the current of sub-oscillation circuit or low-speed on-chip oscillator.

Note 4. VCC = 3.3 V.

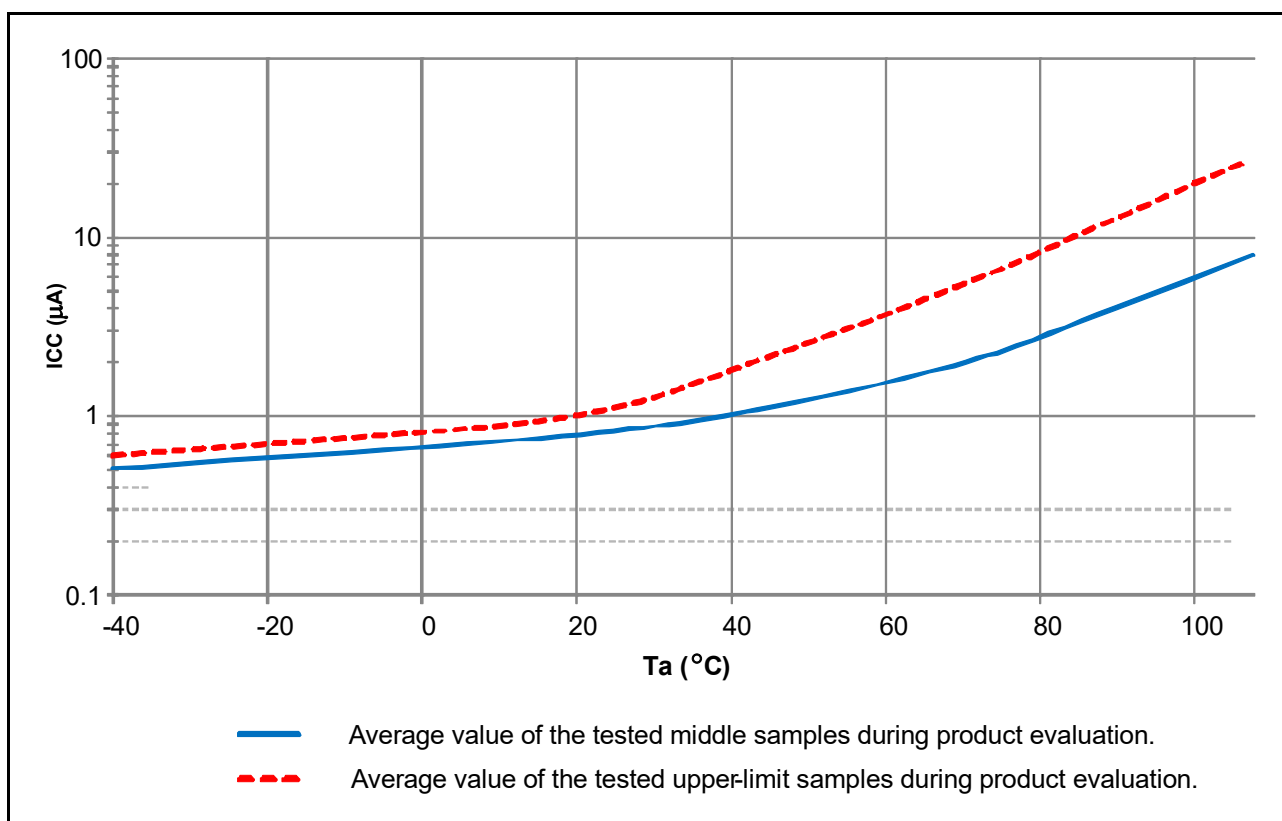


Figure 48.22 Temperature dependency in Software Standby mode all SRAM (reference data)

Table 48.13 Operating and standby current (3)

Conditions: VCC = AVCC0 = 0V, VBATT = 1.6 to 3.6 V, VSS = AVSS0 = 0V

| Parameter | Symbol | Typ | Max | Unit | Test conditions | |
|---------------------------------------------------|-----------------|------------------------|-----|------|-----------------|----------------------------------------------------------------|
| Supply current*1 RTC operation when VCC is off | I _{CC} | T _a = 25°C | 0.8 | - | µA | VBATT = 2.0 V SOMCR.SORDRV[1:0] = 11b (Low power mode 3) |
| | | T _a = 55°C | 0.9 | - | | |
| | | T _a = 85°C | 1.0 | - | | |
| | | T _a = 105°C | 1.1 | - | | |
| | I _{CC} | T _a = 25°C | 0.9 | - | | VBATT = 3.3 V SOMCR.SORDRV[1:0] = 11b (Low power mode 3) |
| | | T _a = 55°C | 1.0 | - | | |
| | | T _a = 85°C | 1.1 | - | | |
| | | T _a = 105°C | 1.2 | - | | |
| | I _{CC} | T _a = 25°C | 1.5 | - | | VBATT = 2.0 V SOMCR.SORDRV[1:0] = 00b (Normal mode) |
| | | T _a = 55°C | 1.7 | - | | |
| | | T _a = 85°C | 2.0 | - | | |
| | | T _a = 105°C | 2.2 | - | | |
| | I _{CC} | T _a = 25°C | 1.6 | - | | VBATT = 3.3 V SOMCR.SORDRV[1:0] = 00b (Normal mode) |
| | | T _a = 55°C | 1.8 | - | | |
| | | T _a = 85°C | 2.1 | - | | |
| | | T _a = 105°C | 2.3 | - | | |

Note 1. Supply current values do not include output charge/discharge current from all pins. The values apply when internal pull-up MOSs are in the off state.

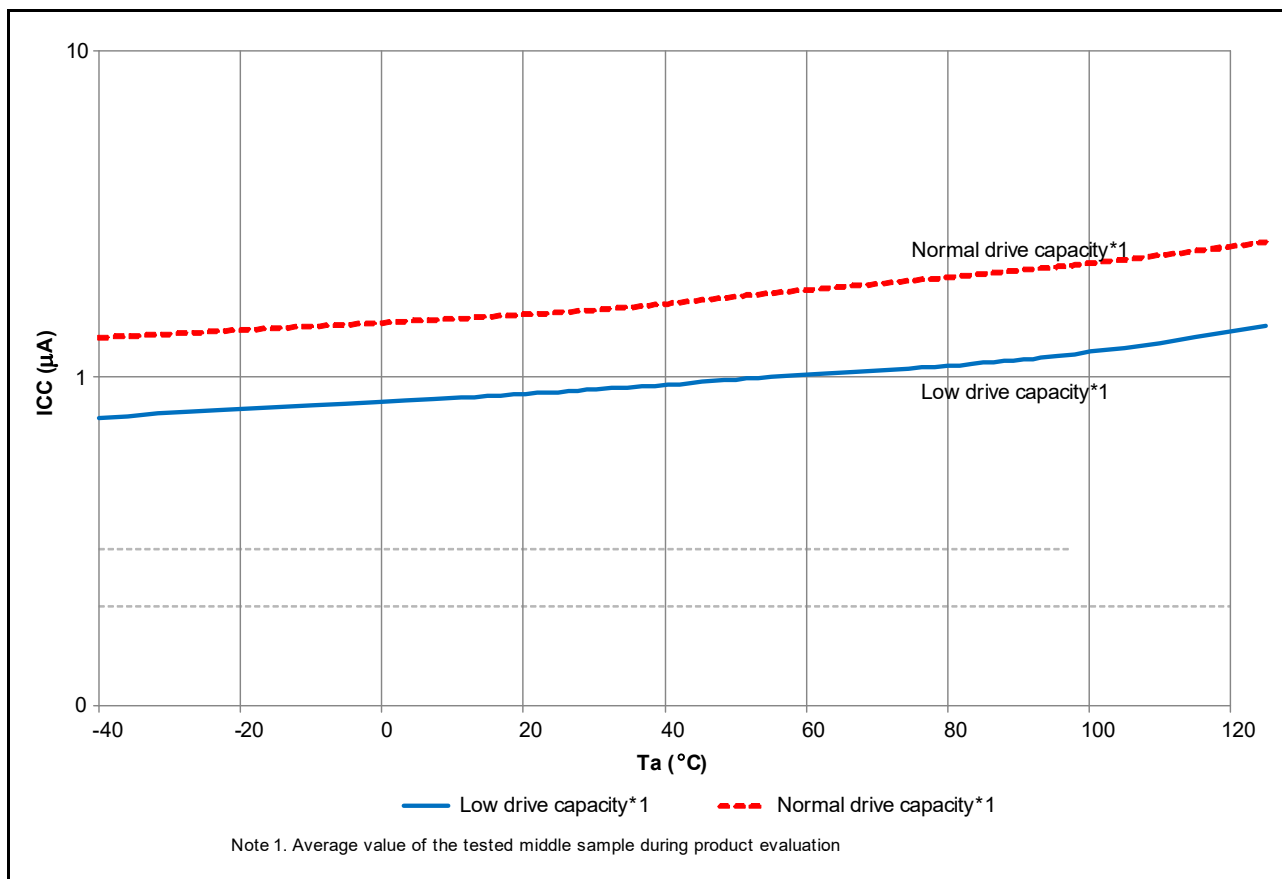


Figure 48.23 Temperature dependency of RTC operation with VCC off (reference data)

Table 48.14 Operating and standby current (4)

Conditions: VCC = AVCC0 = 1.6 to 5.5 V, VREFH0 = 2.7 V to AVCC0

| Parameter | | Symbol | Min | Typ | Max | Unit | Test conditions | |
|-----------------------------------------------|---------------------------------------------------------------------------------------------------------------------------------------------------------------------------------------------------------------------------------------------------------------------------------------------|----------------------|-------------------|-------------------------------|-----|------|-----------------|---|
| Analog power supply current | During A/D conversion (at high-speed conversion) | I _{AVCC} | - | - | 3.0 | mA | - | |
| | During A/D conversion (at low-power conversion) | | - | - | 1.0 | mA | - | |
| | During D/A conversion (per channel)*1 | | - | 0.4 | 0.8 | mA | - | |
| | Waiting for A/D and D/A conversion (all units)*6 | | - | - | 1.0 | μA | - | |
| Reference power supply current | During A/D conversion | I _{REFH0} | - | - | 150 | μA | - | |
| | Waiting for A/D conversion (all units) | | - | - | 60 | nA | - | |
| | During D/A conversion | I _{REFH} | - | 50 | 100 | μA | - | |
| | Waiting for D/A conversion (all units) | | - | - | 100 | μA | - | |
| Temperature sensor | | I _{TNS} | - | 75 | - | μA | - | |
| Low-Power Analog Comparator operating current | Window mode | I _{CMLP} | - | 15 | - | μA | - | |
| | Comparator High-speed mode | | - | 10 | - | μA | - | |
| | Comparator Low-speed mode | | - | 2 | - | μA | - | |
| | Comparator Low-speed mode using DAC8 | | - | 820 | - | μA | - | |
| Operational Amplifier operating current | Low power mode | I _{AMP} | 1 unit operating | - | 2.5 | 4.0 | μA | - |
| | | | 2 units operating | - | 4.5 | 8.0 | μA | - |
| | | | 3 units operating | - | 6.5 | 11.0 | μA | - |
| | | | 4 units operating | - | 8.5 | 14.0 | μA | - |
| | High-speed mode | | 1 unit operating | - | 140 | 220 | μA | - |
| | | | 2 units operating | - | 280 | 410 | μA | - |
| | | | 3 units operating | - | 420 | 600 | μA | - |
| | | | 4 units operating | - | 560 | 780 | μA | - |
| LCD operating current | External resistance division method f _{LCD} = f _{SUB} = 128 Hz, 1/3 bias, and 4-time slice | I _{LCD1} *5 | - | 0.34 | - | μA | - | |
| | Internal voltage boosting method (VLCD.VLCD = 04) f _{LCD} = f _{SUB} = 128 Hz, 1/3 bias, and 4-time slice | I _{LCD2} *5 | - | 0.92 | - | μA | - | |
| | Capacitor split method f _{LCD} = f _{SUB} = 128 Hz, 1/3 bias, and 4-time slice | I _{LCD3} *5 | - | 0.19 | - | μA | - | |
| USB operating current | During USB communication operation under the following settings and conditions: • Host controller operation is set to full-speed mode Bulk OUT transfer (64 bytes) × 1, bulk IN transfer (64 bytes) × 1 • Connect peripheral devices via a 1-meter USB cable from the USB port. | I _{USBH} *2 | - | 4.3 (VCC) 0.9 (VCC_USB)*4 | - | mA | - | |
| | During USB communication operation under the following settings and conditions: • Device controller operation is set to full-speed mode Bulk OUT transfer (64 bytes) × 1, bulk IN transfer (64 bytes) × 1 • Connect the host device via a 1-meter USB cable from the USB port. | I _{USBF} *2 | - | 3.6 (VCC) 1.1 (VCC_USB)*4 | - | mA | - | |
| | During suspended state under the following setting and conditions: • Device controller operation is set to full-speed mode (pull up the USB_DP pin) • Software standby mode • Connect the host device via a 1-meter USB cable from the USB port. | I _{SUSP} *3 | - | 0.35 (VCC) 170 (VCC_USB)*4 | - | μA | - | |

Note 1. The reference power supply current is included in the power supply current value for D/A conversion.

Note 2. Current consumed only by the USBFS.

Note 3. Includes the current supplied from the pull-up resistor of the USB_DP pin to the pull-down resistor of the host device, in addition to the current consumed by the MCU during the suspended state.

Note 4. When VCC = VCC_USB = 3.3 V.

Note 5. Current flowing only to the LCD controller. Not including the current that flows through the LCD panel.

Note 6. When the MCU is in Software Standby mode or the MSTPCR.DMSTPD16 (ADC140 module stop bit) is in the module-stop state.

48.2.10 VCC Rise and Fall Gradient and Ripple Frequency

Table 48.15 Rise and fall gradient characteristics

Conditions: VCC = AVCC0 = 0 to 5.5 V

| Parameter | Symbol | Min | Typ | Max | Unit | Test conditions | |
|------------------------------|--------------------------------------------------------------|-------|------|-----|------|-----------------|---|
| Power-on VCC rising gradient | Voltage monitor 0 reset disabled at startup (normal startup) | SrVCC | 0.02 | - | 2 | ms/V | - |
| | Voltage monitor 0 reset enabled at startup*1 | | 0.02 | - | - | | |
| | SCI/USB boot mode*2 | | 0.02 | - | 2 | | |

Note 1. When OFS1.LVDAS = 0.

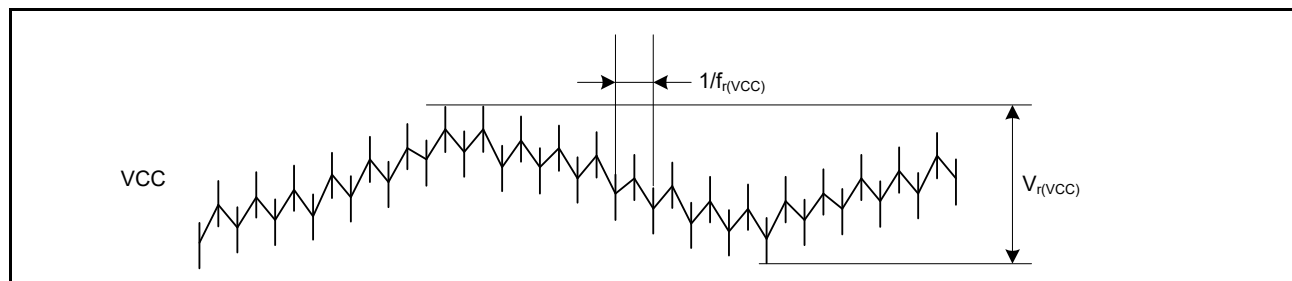
Note 2. At boot mode, the reset from voltage monitor 0 is disabled regardless of the value of OFS1.LVDAS bit.

Table 48.16 Rising and falling gradient and ripple frequency characteristics

Conditions: VCC = AVCC0 = VCC_USB = 1.6 to 5.5 V

The ripple voltage must meet the allowable ripple frequency $f_{r(VCC)}$ within the range between the VCC upper limit (5.5 V) and lower limit (1.6 V).When VCC change exceeds VCC $\pm 10\%$, the allowable voltage change rising/falling gradient dt/dVCC must be met.

| Parameter | Symbol | Min | Typ | Max | Unit | Test conditions |
|------------------------------------------------------|--------------|-----|-----|-----|------|---------------------------------------------------|
| Allowable ripple frequency | $f_{r(VCC)}$ | - | - | 10 | kHz | Figure 48.24 $V_{r(VCC)} \leq VCC \times 0.2$ |
| | | - | - | 1 | MHz | Figure 48.24 $V_{r(VCC)} \leq VCC \times 0.08$ |
| | | - | - | 10 | MHz | Figure 48.24 $V_{r(VCC)} \leq VCC \times 0.06$ |
| Allowable voltage change rising and falling gradient | dt/dVCC | 1.0 | - | - | ms/V | When VCC change exceeds VCC $\pm 10\%$ |

**Figure 48.24 Ripple waveform**

48.3 AC Characteristics

48.3.1 Frequency

Table 48.17 Operation frequency value in high-speed operating mode

Conditions: VCC = AVCC0 = 2.4 to 5.5 V

| Parameter | | | Symbol | Min | Typ | Max*5 | Unit |
|---------------------|----------------------------------------|--------------|--------|----------|-----|-------|------|
| Operation frequency | System clock (ICLK)*4 | 2.7 to 5.5 V | f | 0.032768 | - | 48 | MHz |
| | | 2.4 to 2.7 V | | 0.032768 | - | 16 | |
| | Flash interface clock (FCLK)*1, *2, *4 | 2.7 to 5.5 V | | 0.032768 | - | 32 | |
| | | 2.4 to 2.7 V | | 0.032768 | - | 16 | |
| | Peripheral module clock (PCLKA)*4 | 2.7 to 5.5 V | | - | - | 48 | |
| | | 2.4 to 2.7 V | | - | - | 16 | |
| | Peripheral module clock (PCLKB)*4 | 2.7 to 5.5 V | | - | - | 32 | |
| | | 2.4 to 2.7 V | | - | - | 16 | |
| | Peripheral module clock (PCLKC)*3, *4 | 2.7 to 5.5 V | | - | - | 64 | |
| | | 2.4 to 2.7 V | | - | - | 16 | |
| | Peripheral module clock (PCLKD)*4 | 2.7 to 5.5 V | | - | - | 64 | |
| | | 2.4 to 2.7 V | | - | - | 16 | |

- Note 1. The lower-limit frequency of FCLK is 1 MHz while programming or erasing the flash memory. When using FCLK for programming or erasing the flash memory at below 4 MHz, the frequency can be set to 1 MHz, 2 MHz, or 3 MHz. A non-integer frequency such as 1.5 MHz cannot be set.
- Note 2. The frequency accuracy of FCLK must be $\pm 3.5\%$ while programming or erasing the flash memory. Confirm the frequency accuracy of the clock source.
- Note 3. The lower-limit frequency of PCLKC is 4 MHz at 2.4 V or above and 1 MHz at below 2.4 V when the 14-bit A/D converter is in use.
- Note 4. See [section 8, Clock Generation Circuit](#) for the relationship of frequencies between ICLK, PCLKA, PCLKB, PCLKC, PCLKD, and FCLK.
- Note 5. The maximum value of operation frequency does not include internal oscillator errors. For details on the range of guaranteed operation, see [Table 48.22, Clock timing](#).

Table 48.18 Operation frequency value in Middle-speed mode

Conditions: VCC = AVCC0 = 1.8 to 5.5 V

| Parameter | | | Symbol | Min | Typ | Max*5 | Unit |
|---------------------|----------------------------------------|--------------|--------|----------|-----|-------|------|
| Operation frequency | System clock (ICLK)*4 | 2.7 to 5.5 V | f | 0.032768 | - | 12 | MHz |
| | | 2.4 to 2.7 V | | 0.032768 | - | 12 | |
| | | 1.8 to 2.4 V | | 0.032768 | - | 8 | |
| | Flash interface clock (FCLK)*1, *2, *4 | 2.7 to 5.5 V | | 0.032768 | - | 12 | |
| | | 2.4 to 2.7 V | | 0.032768 | - | 12 | |
| | | 1.8 to 2.4 V | | 0.032768 | - | 8 | |
| | Peripheral module clock (PCLKA)*4 | 2.7 to 5.5 V | | - | - | 12 | |
| | | 2.4 to 2.7 V | | - | - | 12 | |
| | | 1.8 to 2.4 V | | - | - | 8 | |
| | Peripheral module clock (PCLKB)*4 | 2.7 to 5.5 V | | - | - | 12 | |
| | | 2.4 to 2.7 V | | - | - | 12 | |
| | | 1.8 to 2.4 V | | - | - | 8 | |
| | Peripheral module clock (PCLKC)*3, *4 | 2.7 to 5.5 V | | - | - | 12 | |
| | | 2.4 to 2.7 V | | - | - | 12 | |
| | | 1.8 to 2.4 V | | - | - | 8 | |
| | Peripheral module clock (PCLKD)*4 | 2.7 to 5.5 V | | - | - | 12 | |
| | | 2.4 to 2.7 V | | - | - | 12 | |
| | | 1.8 to 2.4 V | | - | - | 8 | |

- Note 1. The lower-limit frequency of FCLK is 1 MHz while programming or erasing the flash memory. When using FCLK for programming or erasing the flash memory at below 4 MHz, the frequency can be set to 1 MHz, 2 MHz, or 3 MHz. A non-integer frequency such as 1.5 MHz cannot be set.
- Note 2. The frequency accuracy of FCLK must be $\pm 3.5\%$ while programming or erasing the flash memory. Confirm the frequency accuracy of the clock source.
- Note 3. The lower-limit frequency of PCLKC is 4 MHz at 2.4 V or above and 1 MHz at below 2.4 V when the 14-bit A/D converter is in use.
- Note 4. See [section 8, Clock Generation Circuit](#) for the relationship of frequencies between ICLK, PCLKA, PCLKB, PCLKC, PCLKD, FCLK.
- Note 5. The maximum value of operation frequency does not include internal oscillator errors. For details on the range of guaranteed operation, see [Table 48.22, Clock timing](#).

Table 48.19 Operation frequency value in Low-speed mode

Conditions: VCC = AVCC0 = 1.8 to 5.5 V

| Parameter | | | Symbol | Min | Typ | Max*4 | Unit |
|---------------------|---------------------------------------|--------------|--------|----------|-----|-------|------|
| Operation frequency | System clock (ICLK)*3 | 1.8 to 5.5 V | f | 0.032768 | - | 1 | MHz |
| | Flash interface clock (FCLK)*1, *3 | 1.8 to 5.5 V | | 0.032768 | - | 1 | |
| | Peripheral module clock (PCLKA)*3 | 1.8 to 5.5 V | | - | - | 1 | |
| | Peripheral module clock (PCLKB)*3 | 1.8 to 5.5 V | | - | - | 1 | |
| | Peripheral module clock (PCLKC)*2, *3 | 1.8 to 5.5 V | | - | - | 1 | |
| | Peripheral module clock (PCLKD)*3 | 1.8 to 5.5 V | | - | - | 1 | |

- Note 1. The lower-limit frequency of FCLK is 1 MHz while programming or erasing the flash memory.
- Note 2. The lower-limit frequency of PCLKC is 1 MHz when the A/D converter is in use.
- Note 3. See [section 8, Clock Generation Circuit](#) for the relationship of frequencies between ICLK, PCLKA, PCLKB, PCLKC, PCLKD, FCLK.
- Note 4. The maximum value of operation frequency does not include internal oscillator errors. For details on the range of guaranteed operation, see [Table 48.22, Clock timing](#).

Table 48.20 Operation frequency value in low-voltage mode

Conditions: VCC = AVCC0 = 1.6 to 5.5 V

| Parameter | | | Symbol | Min | Typ | Max*5 | Unit |
|---------------------|----------------------------------------|--------------|--------|----------|-----|-------|------|
| Operation frequency | System clock (ICLK)*4 | 1.6 to 5.5 V | f | 0.032768 | - | 4 | MHz |
| | Flash interface clock (FCLK)*1, *2, *4 | 1.6 to 5.5 V | | 0.032768 | - | 4 | |
| | Peripheral module clock (PCLKA)*4 | 1.6 to 5.5 V | | - | - | 4 | |
| | Peripheral module clock (PCLKB)*4 | 1.6 to 5.5 V | | - | - | 4 | |
| | Peripheral module clock (PCLKC)*3, *4 | 1.6 to 5.5 V | | - | - | 4 | |
| | Peripheral module clock (PCLKD)*4 | 1.6 to 5.5 V | | - | - | 4 | |

- Note 1. The lower-limit frequency of FCLK is 1 MHz while programming or erasing the flash memory. When using FCLK for programming or erasing the flash memory at below 4 MHz, the frequency can be set to 1 MHz, 2 MHz, or 3 MHz. A non-integer frequency such as 1.5 MHz cannot be set.
- Note 2. The frequency accuracy of FCLK must be $\pm 3.5\%$ while programming or erasing the flash memory. Confirm the frequency accuracy of the clock source.
- Note 3. The lower-limit frequency of PCLKC is 4 MHz at 2.4 V or above and 1 MHz at below 2.4 V when the 14-Bit A/D converter is in use.
- Note 4. See [section 8, Clock Generation Circuit](#) for the relationship of frequencies between ICLK, PCLKA, PCLKB, PCLKC, PCLKD, FCLK.
- Note 5. The maximum value of operation frequency does not include internal oscillator errors. For details on the range of guaranteed operation, see [Table 48.22, Clock timing](#).

Table 48.21 Operation frequency value in Subosc-speed mode

Conditions: VCC = AVCC0 = 1.8 to 5.5 V

| Parameter | | | Symbol | Min | Typ | Max | Unit |
|---------------------|---------------------------------------|--------------|--------|---------|--------|---------|------|
| Operation frequency | System clock (ICLK)*3 | 1.8 to 5.5 V | f | 27.8528 | 32.768 | 37.6832 | kHz |
| | Flash interface clock (FCLK)*1, *3 | 1.8 to 5.5 V | | 27.8528 | 32.768 | 37.6832 | |
| | Peripheral module clock (PCLKA)*3 | 1.8 to 5.5 V | | - | - | 37.6832 | |
| | Peripheral module clock (PCLKB)*3 | 1.8 to 5.5 V | | - | - | 37.6832 | |
| | Peripheral module clock (PCLKC)*2, *3 | 1.8 to 5.5 V | | - | - | 37.6832 | |
| | Peripheral module clock (PCLKD)*3 | 1.8 to 5.5 V | | - | - | 37.6832 | |

Note 1. Programming and erasing the flash memory is not possible.

Note 2. The 14-bit A/D converter cannot be used.

Note 3. See [section 8, Clock Generation Circuit](#) for the relationship of frequencies between ICLK, PCLKA, PCLKB, PCLKC, PCLKD, FCLK.

48.3.2 Clock Timing

Table 48.22 Clock timing (1 of 2)

| Parameter | Symbol | Min | Typ | Max | Unit | Test conditions |
|------------------------------------------------------------|-----------------|---------|--------|---------|---------|-------------------------|
| EXTAL external clock input cycle time | t_{Xcyc} | 50 | - | - | ns | Figure 48.25 |
| EXTAL external clock input high pulse width | t_{XH} | 20 | - | - | ns | |
| EXTAL external clock input low pulse width | t_{XL} | 20 | - | - | ns | |
| EXTAL external clock rising time | t_{Xr} | - | - | 5 | ns | |
| EXTAL external clock falling time | t_{Xf} | - | - | 5 | ns | |
| EXTAL external clock input wait time*1 | t_{EXWT} | 0.3 | - | - | μ s | - |
| EXTAL external clock input frequency | f_{EXTAL} | - | - | 20 | MHz | $2.4 \leq VCC \leq 5.5$ |
| | | - | - | 8 | | $1.8 \leq VCC < 2.4$ |
| | | - | - | 1 | | $1.6 \leq VCC < 1.8$ |
| Main clock oscillator oscillation frequency | f_{MAIN} | 1 | - | 20 | MHz | $2.4 \leq VCC \leq 5.5$ |
| | | 1 | - | 8 | | $1.8 \leq VCC < 2.4$ |
| | | 1 | - | 4 | | $1.6 \leq VCC < 1.8$ |
| Main clock oscillation stabilization wait time (crystal)*9 | $t_{MAINOSCWT}$ | - | - | -*9 | ms | - |
| LOCO clock oscillation frequency | f_{LOCO} | 27.8528 | 32.768 | 37.6832 | kHz | - |
| LOCO clock oscillation stabilization time | t_{LOCO} | - | - | 100 | μ s | Figure 48.26 |
| IWDT-dedicated clock oscillation frequency | f_{ILOCO} | 12.75 | 15 | 17.25 | kHz | - |
| MOCO clock oscillation frequency | f_{MOCO} | 6.8 | 8 | 9.2 | MHz | - |
| MOCO clock oscillation stabilization time | t_{MOCO} | - | - | 1 | μ s | - |

Table 48.22 Clock timing (2 of 2)

| Parameter | Symbol | Min | Typ | Max | Unit | Test conditions | | |
|--------------------------------------------------------|-------------------------------------------------------------|-------------------------|---------------------|-----------------|---------------|----------------------------------------------------------------------|---------------|--------------|
| HOCO clock oscillation frequency | $f_{\text{HOCO}24}$ | 23.64 | 24 | 24.36 | MHz | $T_a = -40$ to -20°C $1.8 \leq \text{VCC} \leq 5.5$ | | |
| | | 22.68 | 24 | 25.32 | | $T_a = -40$ to 85°C $1.6 \leq \text{VCC} < 1.8$ | | |
| | | 23.76 | 24 | 24.24 | | $T_a = -20$ to 85°C $1.8 \leq \text{VCC} \leq 5.5$ | | |
| | | 23.52 | 24 | 24.48 | | $T_a = 85$ to 105°C $2.4 \leq \text{VCC} \leq 5.5$ | | |
| | $f_{\text{HOCO}32}$ | 31.52 | 32 | 32.48 | | $T_a = -40$ to -20°C $1.8 \leq \text{VCC} \leq 5.5$ | | |
| | | 30.24 | 32 | 33.76 | | $T_a = -40$ to 85°C $1.6 \leq \text{VCC} < 1.8$ | | |
| | | 31.68 | 32 | 32.32 | | $T_a = -20$ to 85°C $1.8 \leq \text{VCC} \leq 5.5$ | | |
| | | 31.36 | 32 | 32.64 | | $T_a = 85$ to 105°C $2.4 \leq \text{VCC} \leq 5.5$ | | |
| | $f_{\text{HOCO}48}^{*4}$ | 47.28 | 48 | 48.72 | | $T_a = -40$ to -20°C $1.8 \leq \text{VCC} \leq 5.5$ | | |
| | | 47.52 | 48 | 48.48 | | $T_a = -20$ to 85°C $1.8 \leq \text{VCC} \leq 5.5$ | | |
| | | 47.04 | 48 | 48.96 | | $T_a = 85$ to 105°C $2.4 \leq \text{VCC} \leq 5.5$ | | |
| | $f_{\text{HOCO}64}^{*5}$ | 63.04 | 64 | 64.96 | | $T_a = -40$ to -20°C $2.4 \leq \text{VCC} \leq 5.5$ | | |
| | | 63.36 | 64 | 64.64 | | $T_a = -20$ to 85°C $2.4 \leq \text{VCC} \leq 5.5$ | | |
| | | 62.72 | 64 | 65.28 | | $T_a = 85$ to 105°C $2.4 \leq \text{VCC} \leq 5.5$ | | |
| | HOCO clock oscillation stabilization time ^{*6, *7} | Except Low-Voltage mode | $t_{\text{HOCO}24}$ | - | | - | μs | Figure 48.27 |
| | | | $t_{\text{HOCO}32}$ | - | | - | | |
| $t_{\text{HOCO}48}$ | | | - | - | | | | |
| $t_{\text{HOCO}64}$ | | | - | - | | | | |
| Low-Voltage mode | | $t_{\text{HOCO}24}$ | - | - | 100.9 | | | |
| | | $t_{\text{HOCO}32}$ | - | - | | | | |
| | | $t_{\text{HOCO}48}$ | - | - | | | | |
| | | $t_{\text{HOCO}64}$ | - | - | | | | |
| PLL input frequency ^{*2} | f_{PLLIN} | 4 | - | 12.5 | MHz | - | | |
| PLL circuit oscillation frequency ^{*2} | f_{PLL} | 24 | - | 64 | MHz | - | | |
| PLL clock oscillation stabilization time ^{*8} | t_{PLL} | - | - | 55.5 | μs | Figure 48.29 | | |
| PLL free-running oscillation frequency | f_{PLLFR} | - | 8 | - | MHz | - | | |
| Sub-clock oscillator oscillation frequency | f_{SUB} | - | 32.768 | - | kHz | - | | |
| Sub-clock oscillation stabilization time ^{*3} | t_{SUBOSC} | - | - | - ^{*3} | s | Figure 48.30 | | |

Note 1. Time until the clock can be used after the Main Clock Oscillator Stop bit (MOSCCR.MOSTP) is set to 0 (operating) when the external clock is stable.

Note 2. The VCC range that the PLL can be used is 2.4 to 5.5 V.

Note 3. After changing the setting of the SOSCCR.SOSTP bit so that the sub-clock oscillator operates, only start using the sub-clock after the sub-clock oscillation stabilization wait time elapses, that is greater than or equal to the value recommended by the oscillator manufacturer.

Note 4. The 48-MHz HOCO can be used within a VCC range of 1.8 V to 5.5 V.

Note 5. The 64-MHz HOCO can be used within a VCC range of 2.4 V to 5.5 V.

Note 6. This is a characteristic when HOCOCCR.HCSTP bit is set to 0 (oscillation) in MOCO stop state.

When HOCOCCR.HCSTP bit is set to 0 (oscillation) during MOCO oscillation, this specification is shortened by 1 μs .

Note 7. Whether stabilization time has elapsed can be confirmed by OCSF.HOCOSF.

Note 8. This is a characteristic when PLLCR.PLLSTP bit is set to 0 (operation) in MOCO stop state.

When PLLCR.PLLSTP bit is set to 0 (operation) during MOCO oscillation, this specification is shortened by 1 μs .

Note 9. When setting up the main clock, ask the oscillator manufacturer for an oscillation evaluation and use the results as the recommended oscillation stabilization time. Set the MOSCWTCR register to a value equal to or greater than the recommended stabilization time. After changing the setting of the MOSCCR.MOSTP bit so that the main clock oscillator operates, read the OCSF.MOSCSF flag to confirm that it is 1, then start using the main clock.

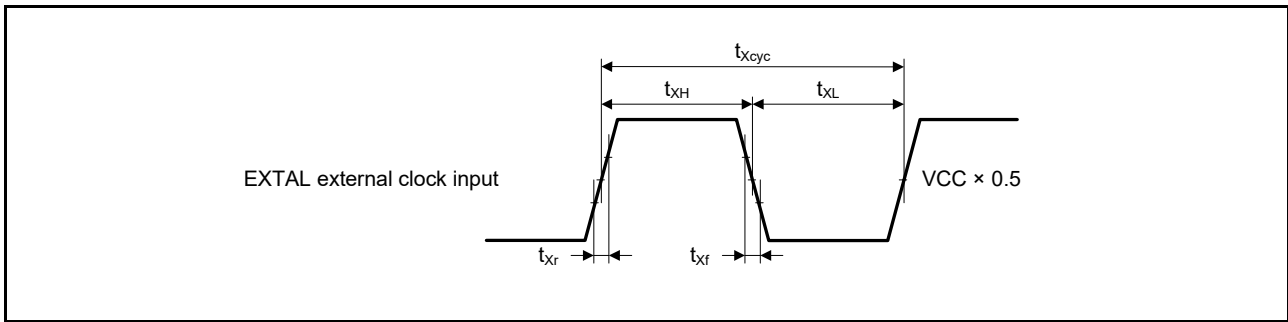


Figure 48.25 EXTAL external clock input timing

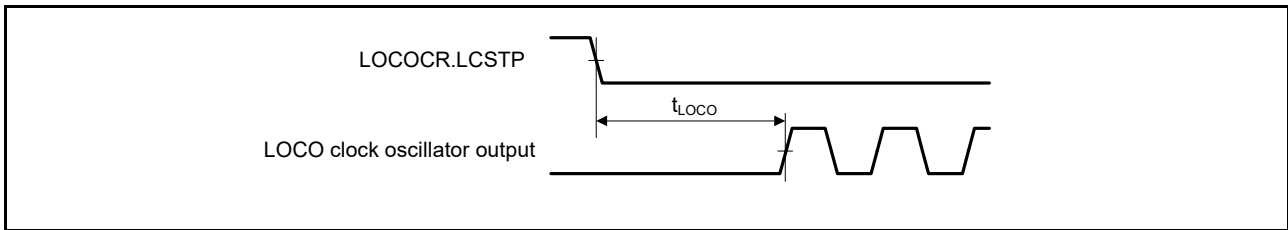


Figure 48.26 LOCO clock oscillator start timing

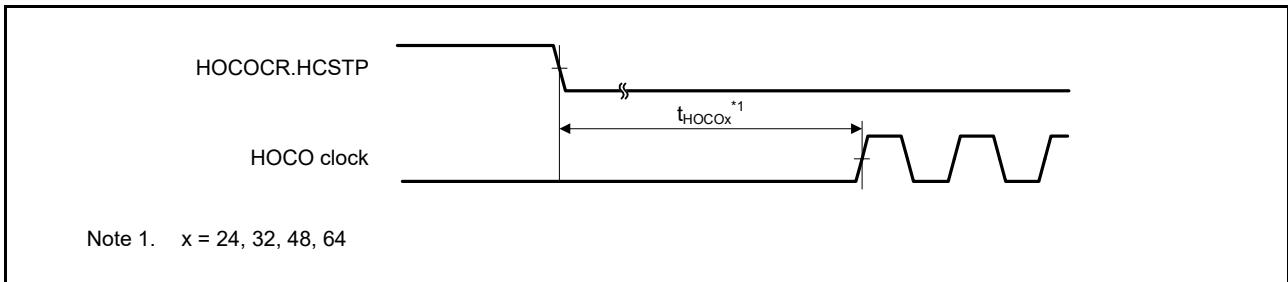


Figure 48.27 HOCO clock oscillator start timing (started by setting HOCOCR.HCSTP bit)

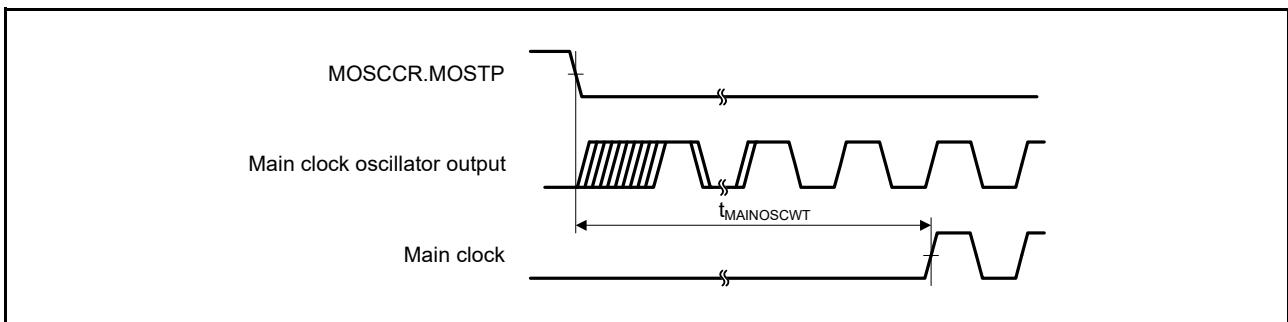


Figure 48.28 Main clock oscillator start timing

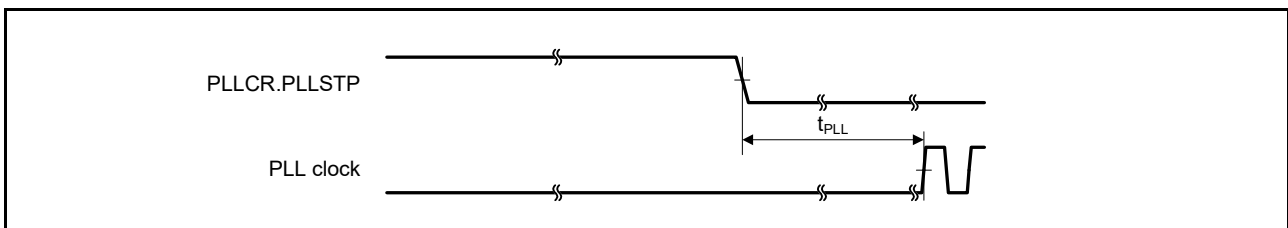


Figure 48.29 PLL clock oscillator start timing (PLL is operated after main clock oscillation has settled)

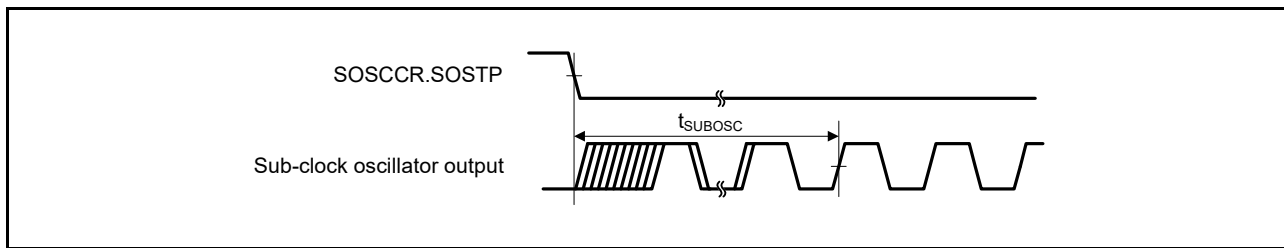


Figure 48.30 Sub-clock oscillator start timing

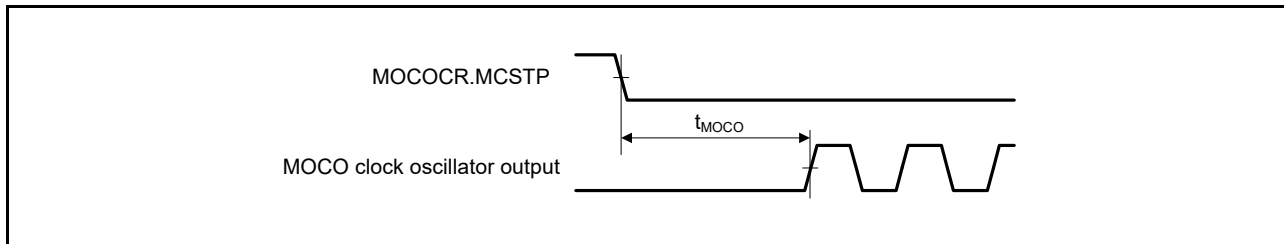


Figure 48.31 MOCO clock oscillator start timing

48.3.3 Reset Timing

Table 48.23 Reset timing

| Parameter | | Symbol | Min | Typ | Max | Unit | Test conditions |
|----------------------------------------------------------------------------------------------------------------------------------------------------------------------------------------------------------|------------------|--------------|-----|------|-----|---------|-----------------|
| RES pulse width | At power-on | t_{RESWP} | 3 | - | - | ms | Figure 48.32 |
| | Other than above | t_{RESW} | 30 | - | - | μ s | Figure 48.33 |
| Wait time after RES cancellation (at power-on) | LVD0: enable*1 | t_{RESWT} | - | 0.7 | - | ms | Figure 48.32 |
| | LVD0: disable*2 | | - | 0.3 | - | | |
| Wait time after RES cancellation (during powered-on state) | LVD0: enable*1 | t_{RESWT2} | - | 0.5 | - | ms | Figure 48.33 |
| | LVD0: disable*2 | | - | 0.05 | - | | |
| Internal reset cancellation time (Watchdog timer reset, SRAM parity error reset, SRAM ECC error reset, Bus master MPU error reset, Bus slave MPU error reset, Stack pointer error reset, Software reset) | LVD0: enable*1 | t_{RESWT3} | - | 0.6 | - | ms | - |
| | LVD0: disable*2 | | - | 0.15 | - | | |

Note 1. When OFS1.LVDAS = 0.

Note 2. When OFS1.LVDAS = 1.

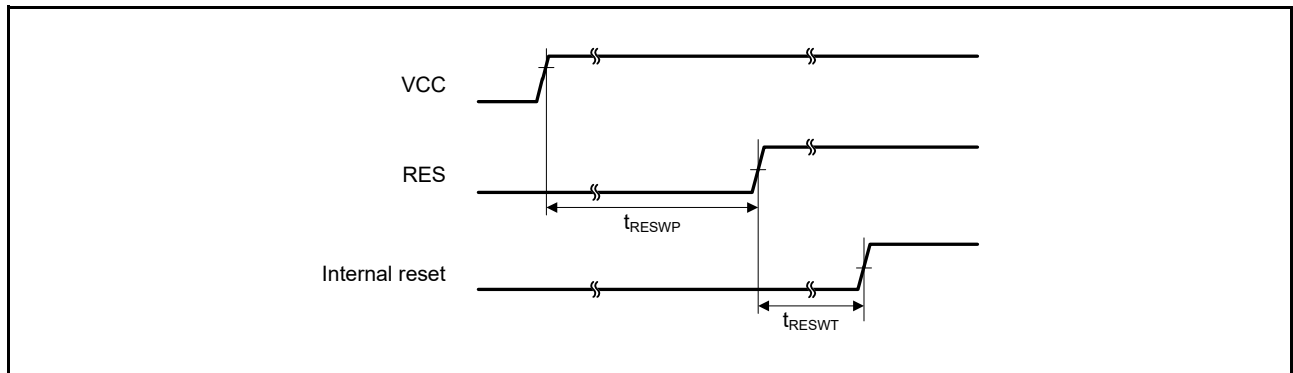


Figure 48.32 Reset input timing at power-on

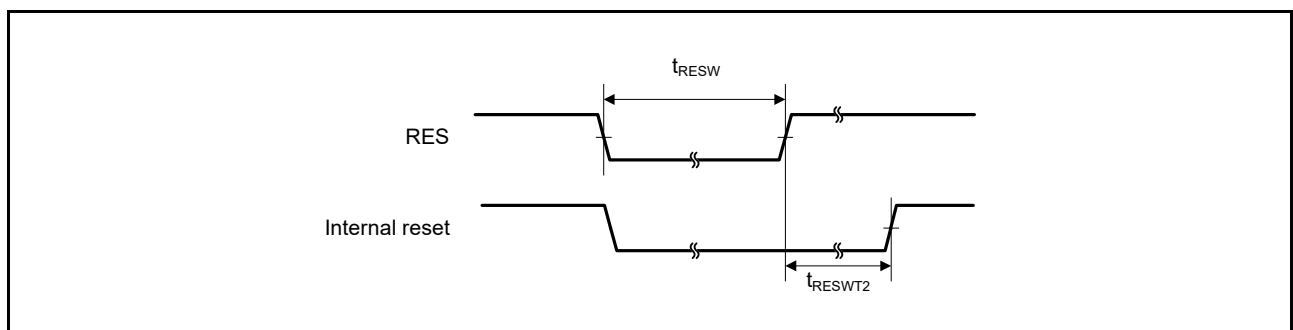


Figure 48.33 Reset input timing

48.3.4 Wakeup Time

Table 48.24 Timing of recovery from low power modes (1)

| Parameter | | | | Symbol | Min | Typ | Max | Unit | Test conditions | |
|--------------------------------------------|-----------------|------------------------------------------------------|------------------------------------------------------------------|--------------------|--------------------|-----|-----|------|-----------------|----|
| Recovery time from Software Standby mode*1 | High-speed mode | Crystal resonator connected to main clock oscillator | System clock source is main clock oscillator (20 MHz)*2 | t _{SBYMC} | - | 2 | 3 | ms | Figure 48.34 | |
| | | | System clock source is PLL (48 MHz) with main clock oscillator*2 | t _{SBYPC} | - | 2 | 3 | ms | | |
| | | External clock input to main clock oscillator | System clock source is main clock oscillator (20 MHz)*3 | t _{SBYEX} | - | 14 | 25 | μs | | |
| | | | System clock source is PLL (48 MHz) with main clock oscillator*3 | t _{SBYPE} | - | 53 | 76 | μs | | |
| | | System clock source is HOCO*4 (HOCO clock is 32 MHz) | | | t _{SBYHO} | - | 43 | 52 | | μs |
| | | System clock source is HOCO*4 (HOCO clock is 48 MHz) | | | t _{SBYHO} | - | 44 | 52 | | μs |
| | | System clock source is HOCO*5 (HOCO clock is 64 MHz) | | | t _{SBYHO} | - | 82 | 110 | | μs |
| | | System clock source is MOCO | | | t _{SBYMO} | - | 16 | 25 | | μs |

Note 1. The division ratio of ICK, FCK, and PCKx is the minimum division ratio within the allowable frequency range. The recovery time is determined by the system clock source.

Note 2. The Main Clock Oscillator Wait Control Register (MOSCWTCR) is set to 05h.

Note 3. The Main Clock Oscillator Wait Control Register (MOSCWTCR) is set to 00h.

Note 4. The HOCO Clock Wait Control Register (HOCOWTCR) is set to 05h.

Note 5. The HOCO Clock Wait Control Register (HOCOWTCR) is set to 06h.

Table 48.25 Timing of recovery from low power modes (2)

| Parameter | | | | Symbol | Min | Typ | Max | Unit | Test conditions | |
|--------------------------------------------|-------------------|------------------------------------------------------|------------------------------------------------------------------|--------------------|--------------------|-----|-----|------|-----------------|----|
| Recovery time from Software Standby mode*1 | Middle-speed mode | Crystal resonator connected to main clock oscillator | System clock source is main clock oscillator (12 MHz)*2 | t _{SBYMC} | - | 2 | 3 | ms | Figure 48.34 | |
| | | | System clock source is PLL (24 MHz) with main clock oscillator*2 | t _{SBYPC} | - | 2 | 3 | ms | | |
| | | External clock input to main clock oscillator | System clock source is main clock oscillator (12 MHz)*3 | t _{SBYEX} | - | 2.9 | 10 | μs | | |
| | | | System clock source is PLL (24 MHz) with main clock oscillator*3 | t _{SBYPE} | - | 49 | 76 | μs | | |
| | | System clock source is HOCO (24 MHz) | | | t _{SBYHO} | - | 38 | 50 | | μs |
| | | System clock source is MOCO | | | t _{SBYMO} | - | 3.5 | 5.5 | | μs |

Note 1. The division ratio of ICK, FCK, and PCKx is the minimum division ratio within the allowable frequency range. The recovery time is determined by the system clock source.

Note 2. The Main Clock Oscillator Wait Control Register (MOSCWTCR) is set to 05h.

Note 3. The Main Clock Oscillator Wait Control Register (MOSCWTCR) is set to 00h.

Table 48.26 Timing of recovery from low power modes (3)

| Parameter | | | | Symbol | Min | Typ | Max | Unit | Test conditions |
|--------------------------------------------|----------------|------------------------------------------------------|--------------------------------------------------------|--------------------|-----|-----|-----|------|-----------------|
| Recovery time from Software Standby mode*1 | Low-speed mode | Crystal resonator connected to main clock oscillator | System clock source is main clock oscillator (1 MHz)*2 | t _{SBYMC} | - | 2 | 3 | ms | Figure 48.34 |
| | | External clock input to main clock oscillator | System clock source is main clock oscillator (1 MHz)*3 | t _{SBYEX} | - | 28 | 50 | μs | |
| | | System clock source is MOCO | | t _{SBYMO} | - | 25 | 35 | μs | |

Note 1. The division ratio of ICK, FCK, and PCKx is the minimum division ratio within the allowable frequency range. The recovery time is determined by the system clock source.

Note 2. The Main Clock Oscillator Wait Control Register (MOSCWTCR) is set to 05h.

Note 3. The Main Clock Oscillator Wait Control Register (MOSCWTCR) is set to 00h.

Table 48.27 Timing of recovery from low power modes (4)

| Parameter | | | | Symbol | Min | Typ | Max | Unit | Test conditions |
|--------------------------------------------|------------------|------------------------------------------------------|--------------------------------------------------------|--------------------|-----|-----|-----|------|-----------------|
| Recovery time from Software Standby mode*1 | Low-voltage mode | Crystal resonator connected to main clock oscillator | System clock source is main clock oscillator (4 MHz)*2 | t _{SBYMC} | - | 2 | 3 | ms | Figure 48.34 |
| | | External clock input to main clock oscillator | System clock source is main clock oscillator (4 MHz)*3 | t _{SBYEX} | - | 108 | 130 | μs | |
| | | System clock source is HOCO | | t _{SBYHO} | - | 108 | 130 | μs | |

Note 1. The division ratio of ICK, FCK, and PCKx is the minimum division ratio within the allowable frequency range. The recovery time is determined by the system clock source. When multiple oscillators are active, the recovery time can be determined by the following expression.

Note 2. The Main Clock Oscillator Wait Control Register (MOSCWTCR) is set to 05h.

Note 3. The Main Clock Oscillator Wait Control Register (MOSCWTCR) is set to 00h.

Table 48.28 Timing of recovery from low power modes (5)

| Parameter | | | Symbol | Min | Typ | Max | Unit | Test conditions |
|--------------------------------------------|-------------------|----------------------------------------------------------|--------------------|-----|------|-----|------|-----------------|
| Recovery time from Software Standby mode*1 | Subosc-speed mode | System clock source is sub-clock oscillator (32.768 kHz) | t _{SBYSC} | - | 0.85 | 1 | ms | Figure 48.34 |
| | | System clock source is LOCO (32.768 kHz) | t _{SBYLO} | - | 0.85 | 1.2 | ms | |

Note 1. The sub-clock oscillator or LOCO itself continues to oscillate in Software Standby mode during Subosc-speed mode.

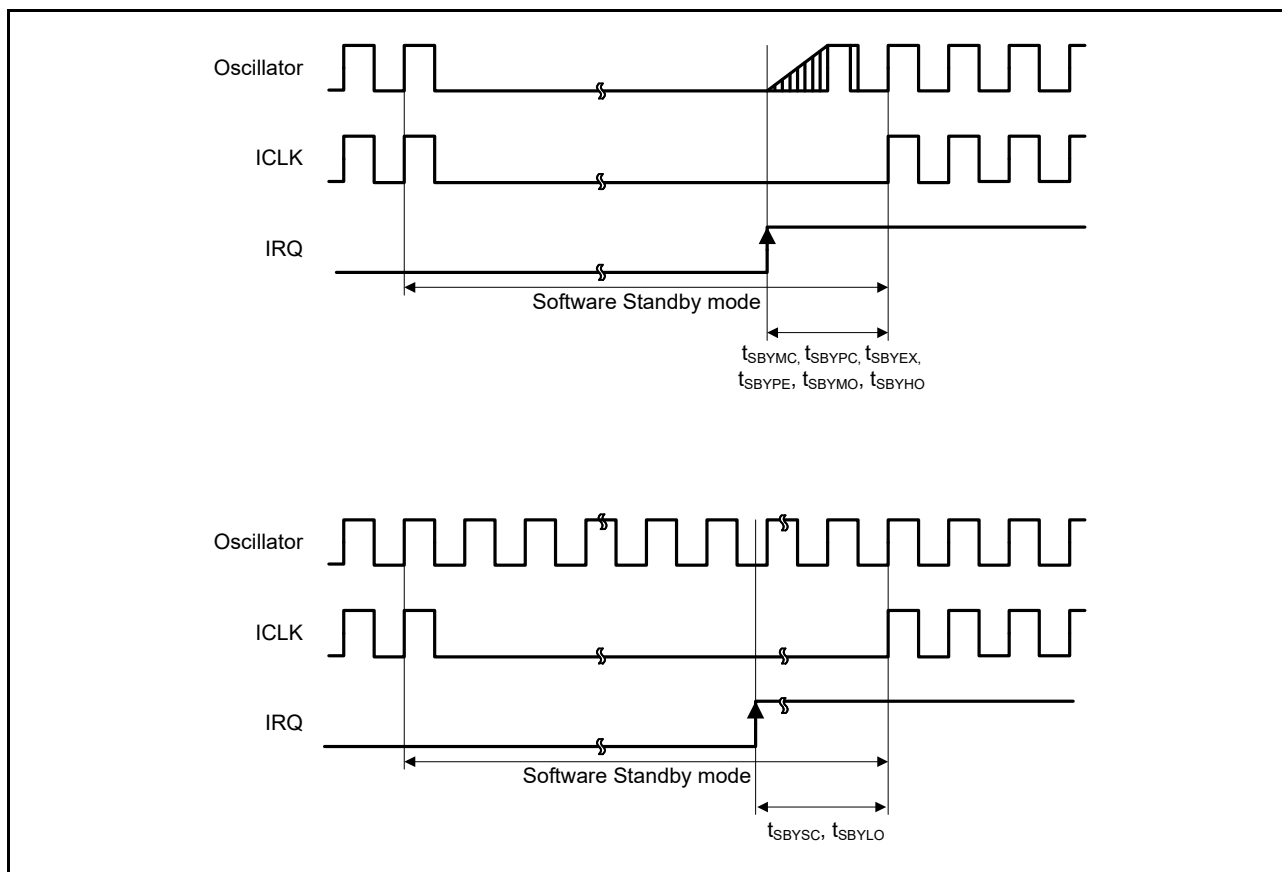


Figure 48.34 Software Standby mode cancellation timing

Table 48.29 Timing of recovery from low power modes (6)

| Parameter | | Symbol | Min | Typ | Max | Unit | Test conditions |
|---------------------------------------------------------|--------------------------------------------------|-----------|-----|-----|-----|---------|-----------------|
| Recovery time from Software Standby mode to Snooze mode | High-speed mode System clock source is HOCO | t_{SNZ} | - | 36 | 45 | μs | Figure 48.35 |
| | Middle-speed mode System clock source is MOCO | t_{SNZ} | - | 1.3 | 3.6 | μs | |
| | Low-speed mode System clock source is MOCO | t_{SNZ} | - | 10 | 13 | μs | |
| | Low-voltage mode System clock source is HOCO | t_{SNZ} | - | 87 | 110 | μs | |

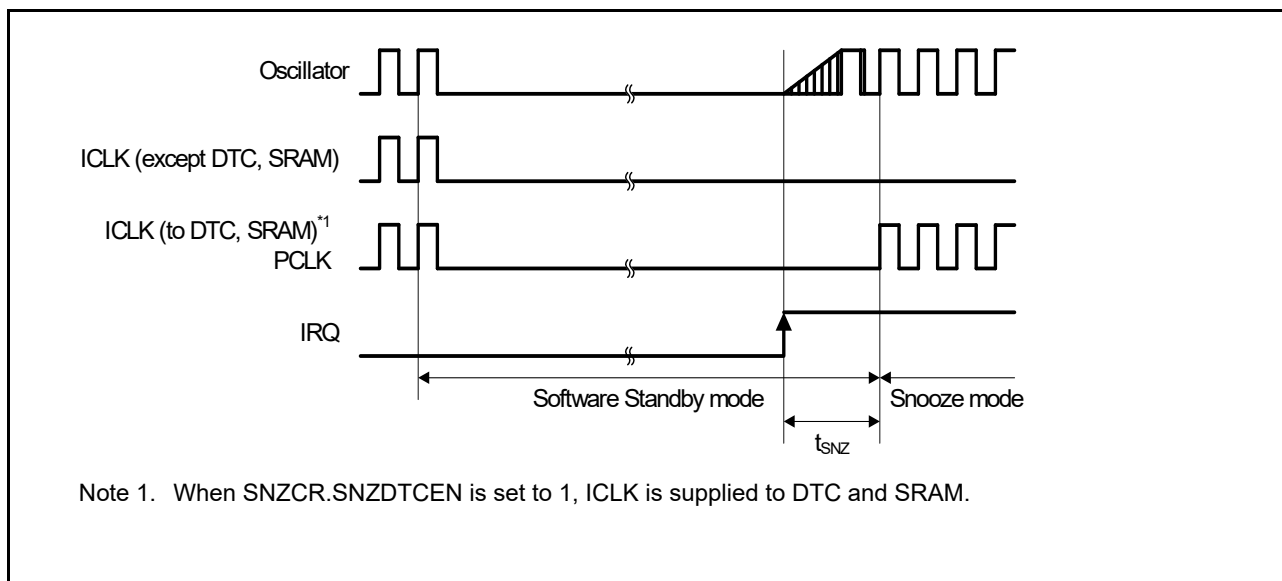


Figure 48.35 Software Standby mode to Snooze mode recovery timing

48.3.5 NMI and IRQ Noise Filter

Table 48.30 NMI and IRQ noise filter

| Parameter | Symbol | Min | Typ | Max | Unit | Test conditions | |
|-----------------|-------------------|------------------------------------|-----|-----|------|-----------------------------|-----------------------------------------|
| NMI pulse width | t_{NMIW} | 200 | - | - | ns | NMI digital filter disabled | $t_{\text{Pcyc}} \times 2 \leq 200$ ns |
| | | $t_{\text{Pcyc}} \times 2^{*1}$ | - | - | | | $t_{\text{Pcyc}} \times 2 > 200$ ns |
| | | 200 | - | - | | NMI digital filter enabled | $t_{\text{NMICK}} \times 3 \leq 200$ ns |
| | | $t_{\text{NMICK}} \times 3.5^{*2}$ | - | - | | | $t_{\text{NMICK}} \times 3 > 200$ ns |
| IRQ pulse width | t_{IRQW} | 200 | - | - | ns | IRQ digital filter disabled | $t_{\text{Pcyc}} \times 2 \leq 200$ ns |
| | | $t_{\text{Pcyc}} \times 2^{*1}$ | - | - | | | $t_{\text{Pcyc}} \times 2 > 200$ ns |
| | | 200 | - | - | | IRQ digital filter enabled | $t_{\text{IRQCK}} \times 3 \leq 200$ ns |
| | | $t_{\text{IRQCK}} \times 3.5^{*3}$ | - | - | | | $t_{\text{IRQCK}} \times 3 > 200$ ns |

Note: 200 ns minimum in Software Standby mode.

Note: If the clock source is switched, add 4 clock cycles of the switched source.

Note 1. t_{Pcyc} indicates the cycle of PCLKB.

Note 2. t_{NMICK} indicates the cycle of the NMI digital filter sampling clock.

Note 3. t_{IRQCK} indicates the cycle of the IRQ_i digital filter sampling clock (i = 0 to 12, 14, 15).

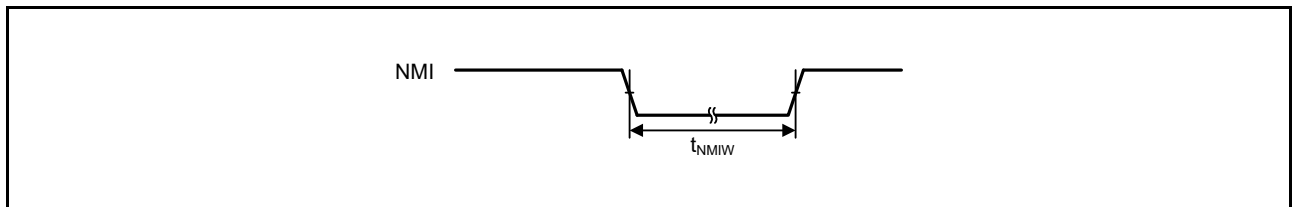


Figure 48.36 NMI interrupt input timing

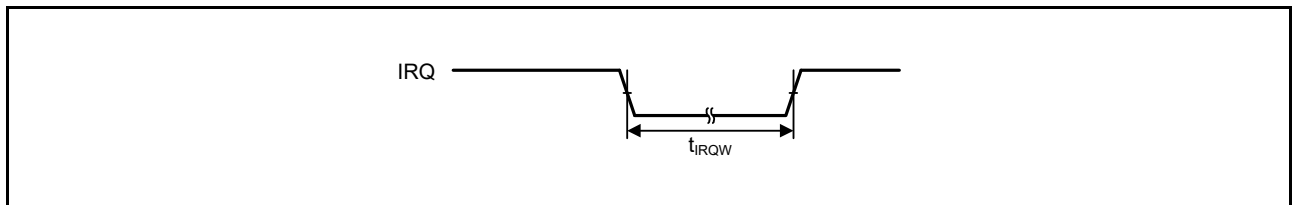


Figure 48.37 IRQ interrupt input timing

48.3.6 I/O Ports, POEG, GPT, AGT, KINT, and ADC14 Trigger Timing

Table 48.31 I/O Ports, POEG, GPT, AGT, KINT, and ADC14 trigger timing

| Parameter | | Symbol | Min | Max | Unit | Test conditions |
|-----------|------------------------------------------------------|-------------------------------------------|------------------------------|------|-------------|-----------------|
| I/O ports | Input data pulse width | t_{PRW} | 1.5 | - | t_{Pcyc} | Figure 48.38 |
| | Input/output data cycle (P002, P003, P004, P007) | t_{POcyc} | 10 | - | us | |
| POEG | POEG input trigger pulse width | t_{POEW} | 3 | - | t_{Pcyc} | Figure 48.39 |
| GPT | Input capture pulse width | Single edge | t_{GTICW} | 1.5 | t_{PDcyc} | Figure 48.40 |
| | | Dual edge | | 2.5 | | |
| AGT | AGTIO, AGTEE input cycle | $2.7\text{ V} \leq VCC \leq 5.5\text{ V}$ | t_{ACYC}^{*1} | 250 | ns | Figure 48.41 |
| | | $2.4\text{ V} \leq VCC < 2.7\text{ V}$ | | 500 | | |
| | | $1.8\text{ V} \leq VCC < 2.4\text{ V}$ | | 1000 | | |
| | | $1.6\text{ V} \leq VCC < 1.8\text{ V}$ | | 2000 | | |
| | AGTIO, AGTEE input high level width, low-level width | $2.7\text{ V} \leq VCC \leq 5.5\text{ V}$ | t_{ACKWH} , t_{ACKWL} | 100 | ns | |
| | | $2.4\text{ V} \leq VCC < 2.7\text{ V}$ | | 200 | | |
| | | $1.8\text{ V} \leq VCC < 2.4\text{ V}$ | | 400 | | |
| | | $1.6\text{ V} \leq VCC < 1.8\text{ V}$ | | 800 | | |
| | AGTIO, AGTO, AGTOA, AGTOB output cycle | $2.7\text{ V} \leq VCC \leq 5.5\text{ V}$ | t_{ACYC2} | 62.5 | ns | Figure 48.41 |
| | | $2.4\text{ V} \leq VCC < 2.7\text{ V}$ | | 125 | | |
| | | $1.8\text{ V} \leq VCC < 2.4\text{ V}$ | | 250 | | |
| | | $1.6\text{ V} \leq VCC < 1.8\text{ V}$ | | 500 | | |
| ADC14 | 14-bit A/D converter trigger input pulse width | t_{TRGW} | 1.5 | - | t_{Pcyc} | Figure 48.42 |
| KINT | KRn (n = 00 to 07) pulse width | t_{KR} | 250 | - | ns | Figure 48.43 |

Note 1. Constraints on input cycle:
 When not switching the source clock: $t_{Pcyc} \times 2 < t_{ACYC}$ should be satisfied.
 When switching the source clock: $t_{Pcyc} \times 6 < t_{ACYC}$ should be satisfied.

Note: t_{Pcyc} : PCLKB cycle, t_{PDcyc} : PCLKD cycle

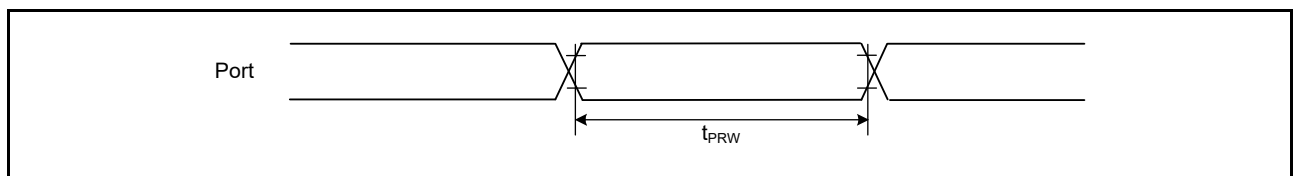


Figure 48.38 I/O ports input timing

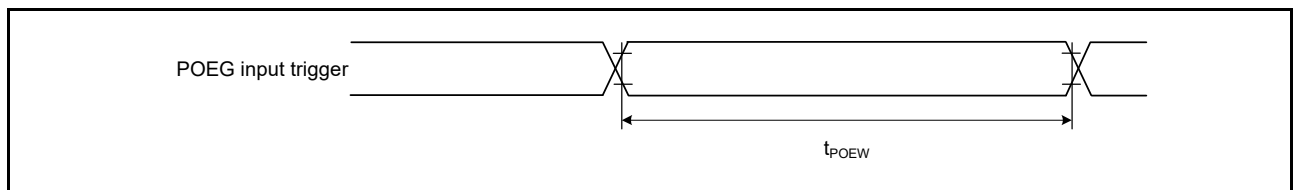


Figure 48.39 POEG input trigger timing

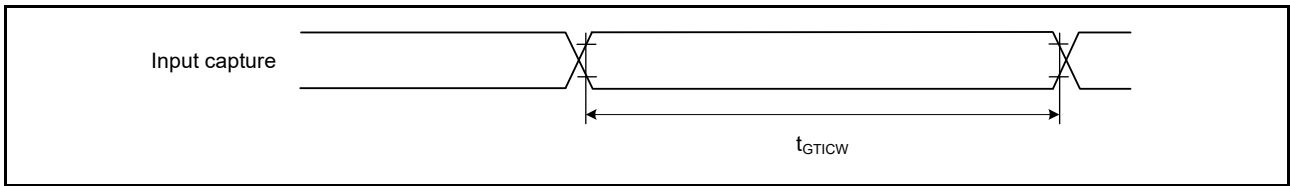


Figure 48.40 GPT input capture timing

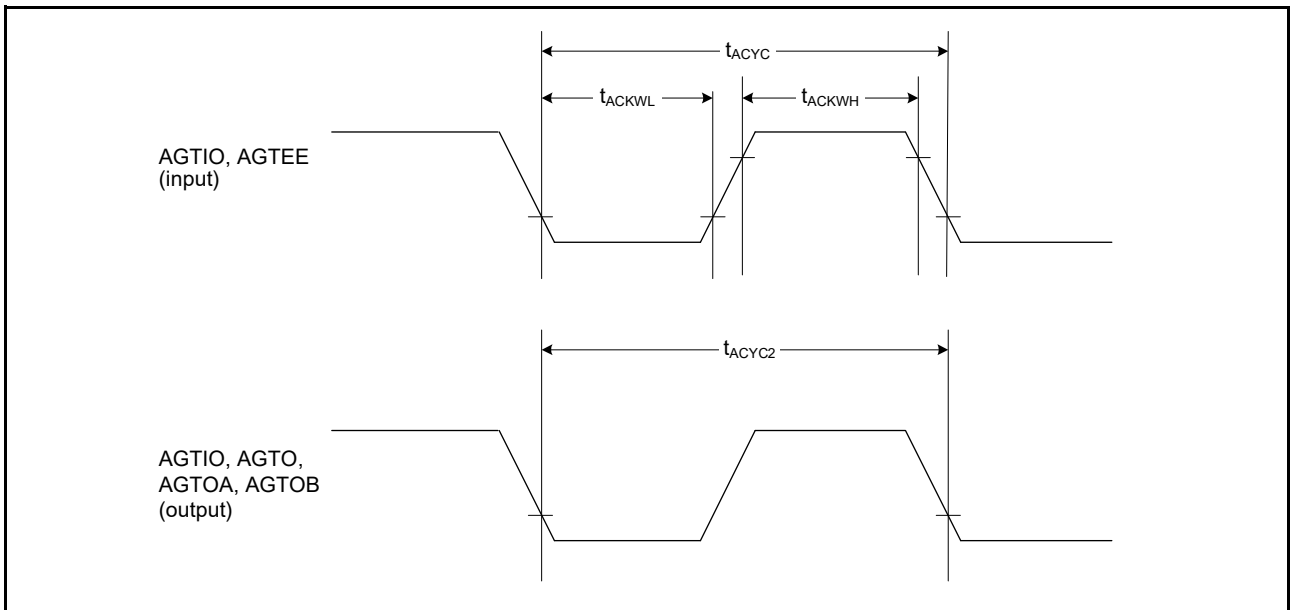


Figure 48.41 AGT I/O timing

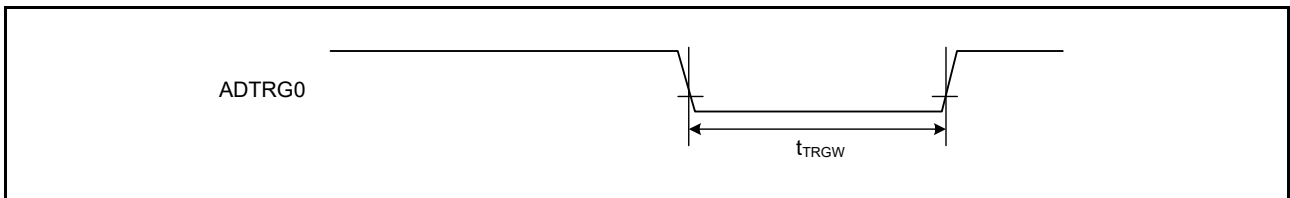


Figure 48.42 ADC14 trigger input timing

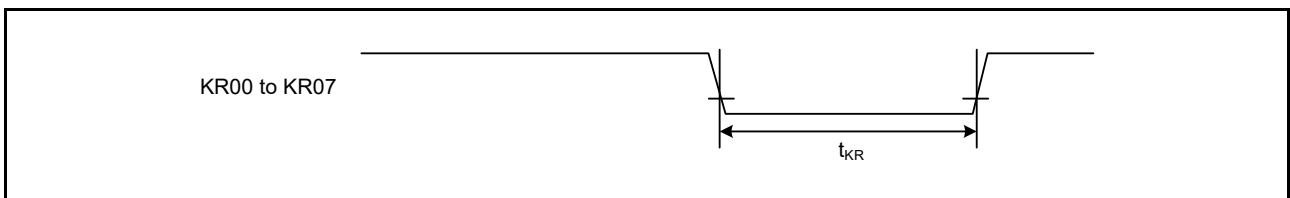


Figure 48.43 Key interrupt input timing

48.3.7 CAC Timing

Table 48.32 CAC timing

| Parameter | | Symbol | Min | Typ | Max | Unit | Test conditions |
|-----------|--------------------------|------------------------------------|------------------------------------------------|-----|-----|------|-----------------|
| CAC | CACREF input pulse width | $t_{PBcyc}^{*1} \leq t_{cac}^{*2}$ | $4.5 \times t_{cac} + 3 \times t_{PBcyc}^{*1}$ | - | - | ns | - |
| | | $t_{PBcyc}^{*1} > t_{cac}^{*2}$ | $5 \times t_{cac} + 6.5 \times t_{PBcyc}^{*1}$ | - | - | ns | |

Note 1. t_{pBcyc} : PCLKB cycle.

Note 2. t_{cac} : CAC count clock source cycle.

48.3.8 SCI Timing

Table 48.33 SCI timing (1)

| Parameter | | Symbol | Min | Max | Unit*1 | Test conditions | | |
|----------------------------------|------------------------------|-------------------|----------------|----------------|--------|-----------------|--------------|----|
| SCI | Input clock cycle | Asynchronous | t_{Scyc} | 4 | - | t_{Pcyc} | Figure 48.44 | |
| | | Clock synchronous | | 6 | - | | | |
| | Input clock pulse width | | t_{SCKW} | 0.4 | 0.6 | t_{Scyc} | | |
| | Input clock rise time | | t_{SCKr} | - | 20 | ns | | |
| | Input clock fall time | | t_{SCKf} | - | 20 | ns | | |
| | Output clock cycle | Asynchronous | t_{Scyc} | 6 | - | t_{Pcyc} | | |
| | | Clock synchronous | | 4 | - | | | |
| | Output clock pulse width | | t_{SCKW} | 0.4 | 0.6 | t_{Scyc} | | |
| | Output clock rise time | | t_{SCKr} | 1.8 V or above | - | 20 | | ns |
| | | | | 1.6 V or above | - | 30 | | |
| | Output clock fall time | | t_{SCKf} | 1.8 V or above | - | 20 | | ns |
| | | | | 1.6 V or above | - | 30 | | |
| | Transmit data delay (master) | Clock synchronous | t_{TXD} | 1.8 V or above | - | 40 | | ns |
| 1.6 V or above | | | | - | 45 | | | |
| Transmit data delay (slave) | Clock synchronous | t_{TXD} | 2.7 V or above | - | 55 | ns | | |
| | | | 2.4 V or above | - | 60 | | | |
| | | | 1.8 V or above | - | 100 | | | |
| | | | 1.6 V or above | - | 125 | | | |
| Receive data setup time (master) | Clock synchronous | t_{RXS} | 2.7 V or above | 45 | - | ns | | |
| | | | 2.4 V or above | 55 | - | | | |
| | | | 1.8 V or above | 90 | - | | | |
| | | | 1.6 V or above | 110 | - | | | |
| Receive data setup time (slave) | Clock synchronous | t_{RXS} | 2.7 V or above | 40 | - | ns | | |
| | | | 1.6 V or above | 45 | - | | | |
| Receive data hold time (master) | Clock synchronous | t_{RXH} | 5 | - | ns | | | |
| Receive data hold time (slave) | Clock synchronous | t_{RXH} | 40 | - | ns | | | |

Note 1. t_{pcyc} : PCLKA cycle.

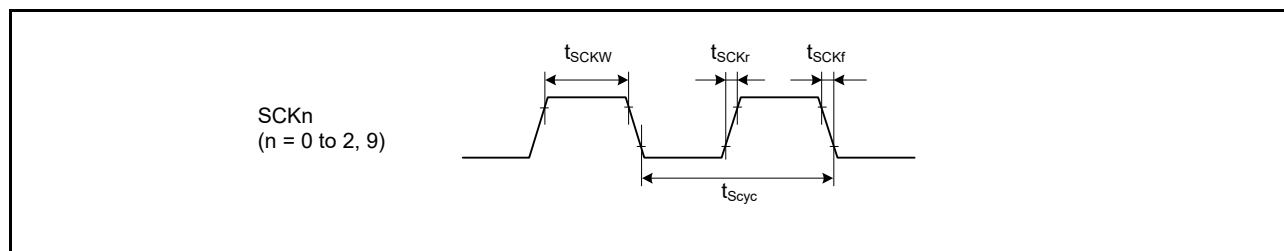


Figure 48.44 SCK clock input timing

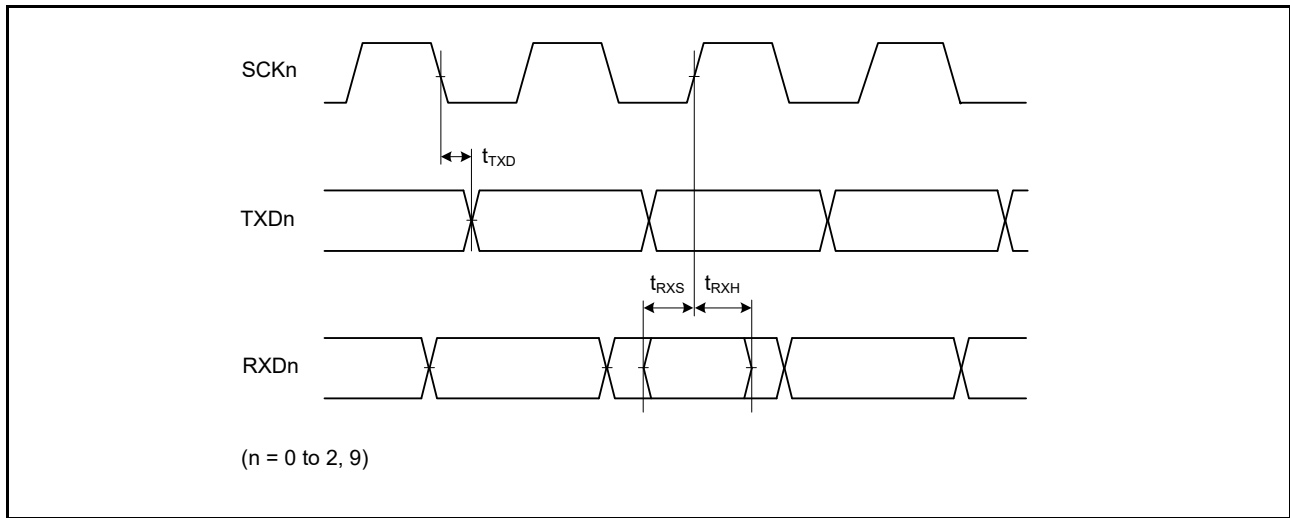


Figure 48.45 SCI input/output timing in clock synchronous mode

Table 48.34 SCI timing (2) (1 of 2)

| Parameter | | | Symbol | Min | Max | Unit | Test conditions |
|-----------------------|---------------------------------|----------------|------------------------------|----------------|---------------------|-------------|---------------------------------|
| Simple SPI | SCK clock cycle output (master) | | t_{SPcyc} | 4 | 65,536 | t_{Pcyc} | Figure 48.46 |
| | SCK clock cycle input (slave) | | | 6 | 65,536 | | |
| | SCK clock high pulse width | | t_{SPCKWH} | 0.4 | 0.6 | t_{SPcyc} | |
| | SCK clock low pulse width | | t_{SPCKWL} | 0.4 | 0.6 | t_{SPcyc} | |
| | SCK clock rise and fall time | | t_{SPCKr} , t_{SPCKf} | - | 20 | ns | |
| | | - | | 30 | | | |
| Data input setup time | Master | 2.7 V or above | t_{SU} | 45 | - | ns | Figure 48.47 to Figure 48.50 |
| | | 2.4 V or above | | 55 | - | | |
| | | 1.8 V or above | | 80 | - | | |
| | | 1.6 V or above | | 110 | - | | |
| | Slave | 2.7 V or above | | 40 | - | | |
| | | 1.6 V or above | | 45 | - | | |
| Data input hold time | Master | | t_H | 33.3 | - | ns | |
| | Slave | | | 40 | - | | |
| SS input setup time | | | t_{LEAD} | 1 | - | t_{SPcyc} | |
| SS input hold time | | | t_{LAG} | 1 | - | t_{SPcyc} | |
| Data output delay | Master | 1.8 V or above | t_{OD} | - | 40 | ns | |
| | | 1.6 V or above | | - | 50 | | |
| | Slave | 2.4 V or above | | - | 65 | | |
| | | 1.8 V or above | | - | 100 | | |
| | | 1.6 V or above | | - | 125 | | |
| Data output hold time | Master | 2.7 V or above | t_{OH} | -10 | - | ns | |
| | | 2.4 V or above | | -20 | - | | |
| | | 1.8 V or above | | -30 | - | | |
| | | 1.6 V or above | | -40 | - | | |
| | Slave | | | | -10 | | - |
| | Data rise and fall time | Master | | 1.8 V or above | t_{Dr} , t_{Df} | | - |
| 1.6 V or above | | | - | 30 | | | |
| Slave | | 1.8 V or above | - | 20 | | | |
| | | 1.6 V or above | - | 30 | | | |

Table 48.34 SCI timing (2) (2 of 2)

| Parameter | Symbol | Min | Max | Unit | Test conditions |
|---------------------------------|-----------|-----|--------------------------------------------|------------|-------------------------------|
| Simple SPI Slave access time | t_{SA} | - | 10 (PCLKA > 32 MHz), 6 (PCLKA ≤ 32 MHz) | t_{Pcyc} | Figure 48.49 and Figure 48.50 |
| Slave output release time | t_{REL} | - | 10 (PCLKA > 32 MHz), 6 (PCLKA ≤ 32 MHz) | t_{Pcyc} | |

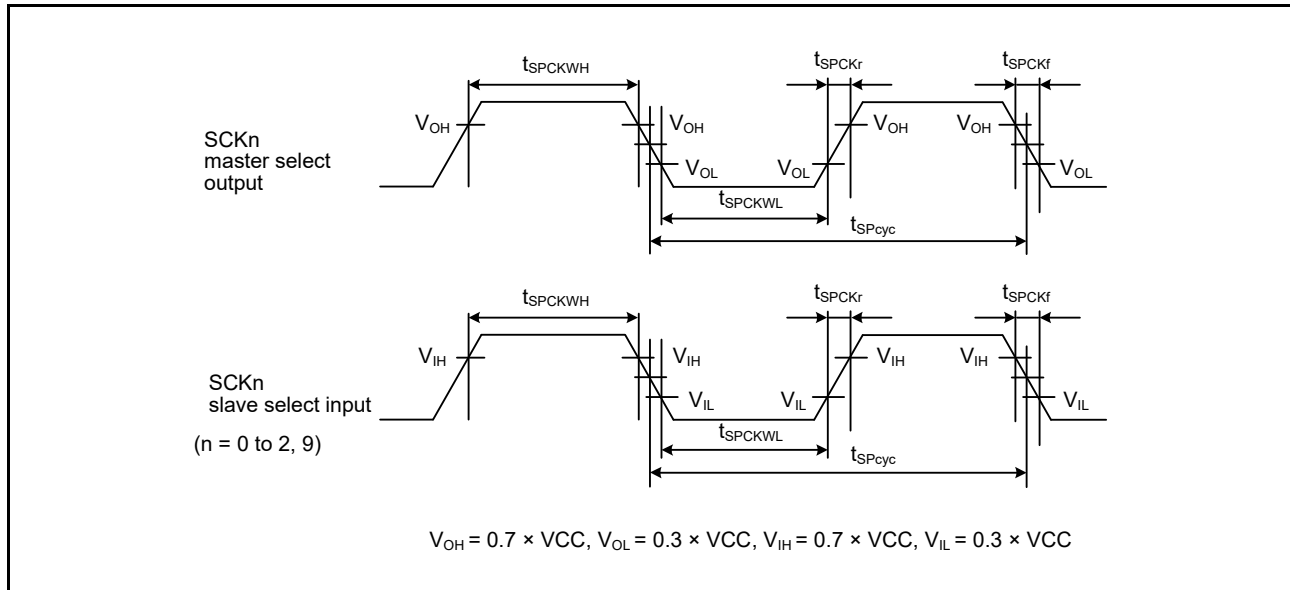


Figure 48.46 SCI simple SPI mode clock timing

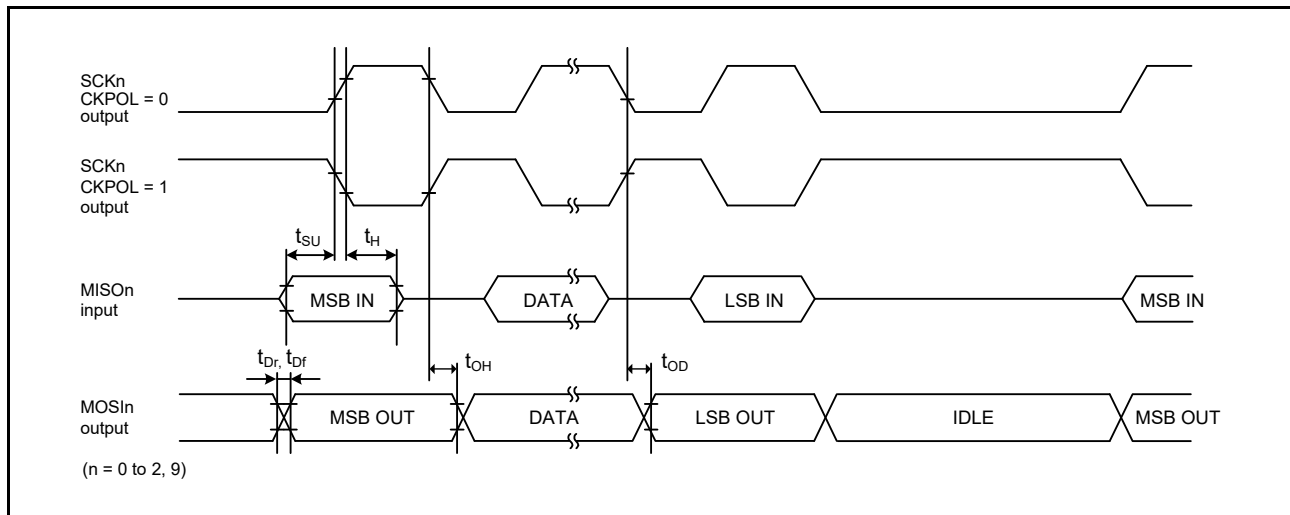


Figure 48.47 SCI simple SPI mode timing for master when CKPH = 1

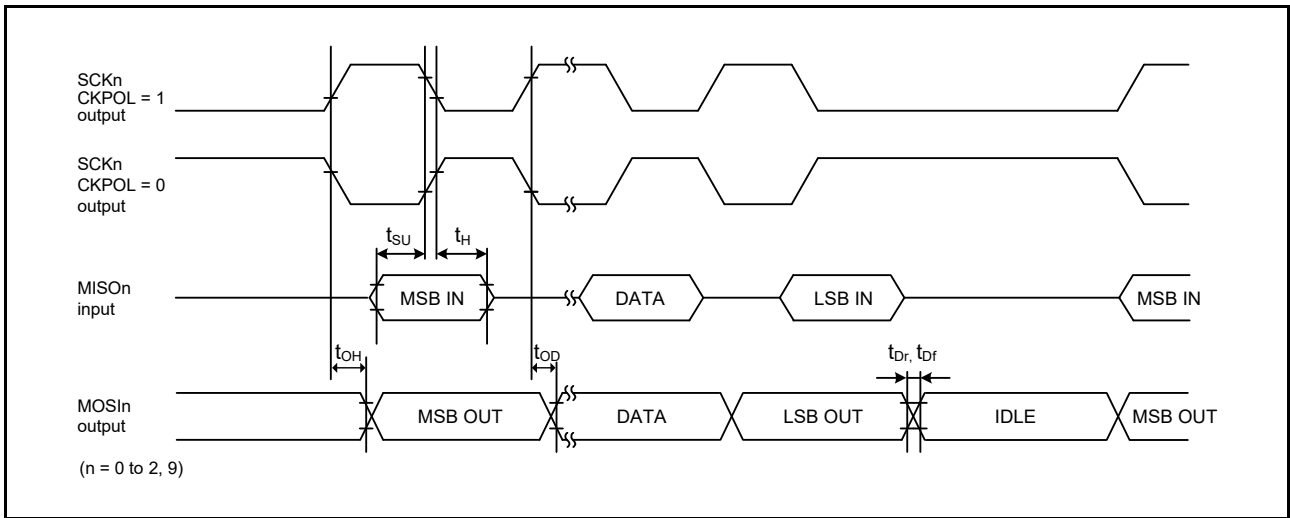


Figure 48.48 SCI simple SPI mode timing for master when CKPH = 0

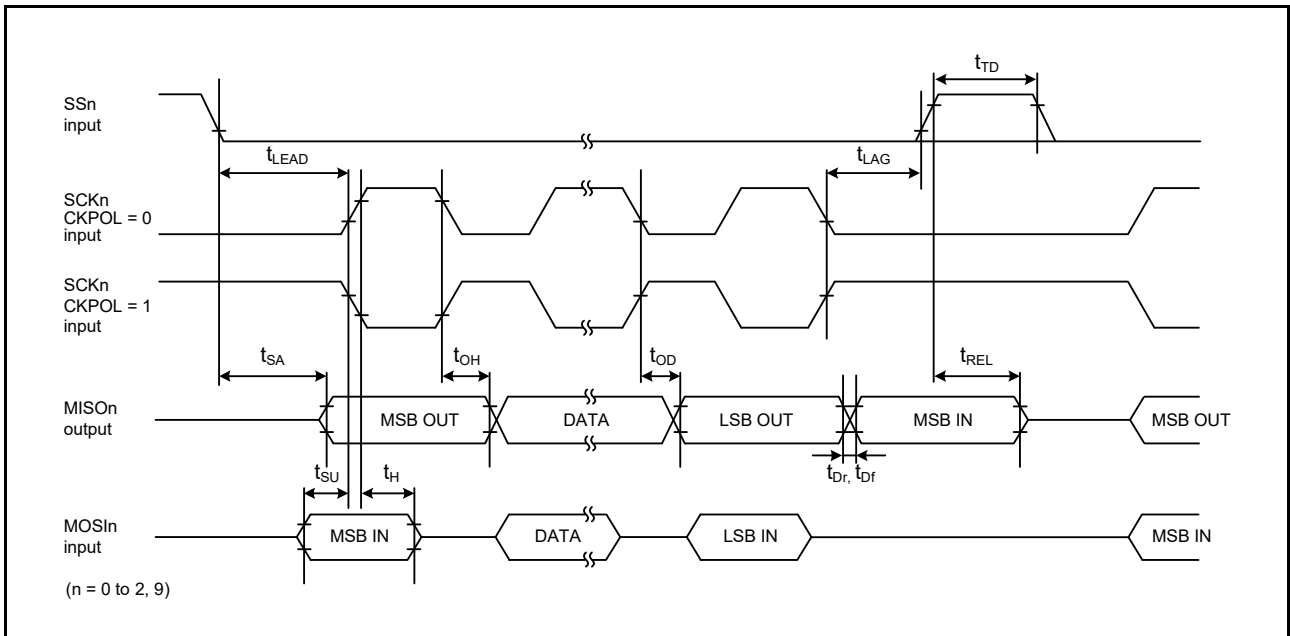


Figure 48.49 SCI simple SPI mode timing for slave when CKPH = 1

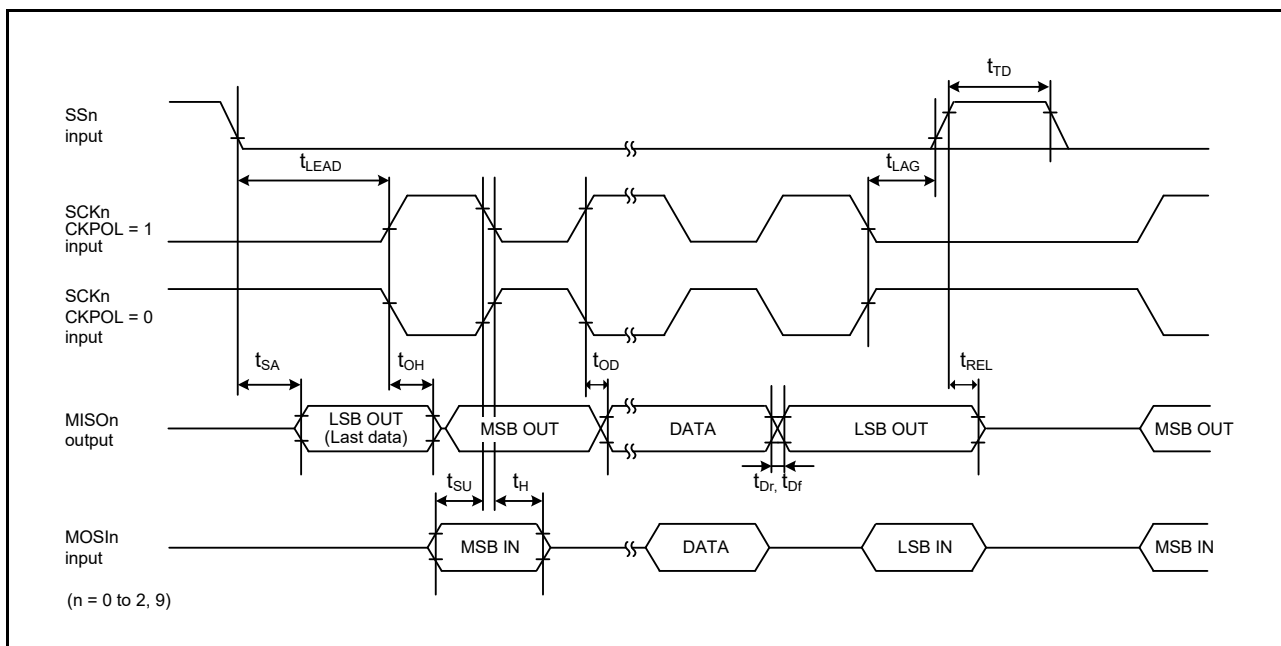


Figure 48.50 SCI simple SPI mode timing for slave when CKPH = 0

Table 48.35 SCI timing (3)

Conditions: VCC = 2.7 to 5.5 V

| Parameter | Symbol | Min | Max | Unit | Test conditions | |
|-----------------------------------------|------------------------------------|------------------------------|-----|---------------------------------------|-----------------|------------------------------------------------------------------------------------------------------------------------------------------------------|
| Simple I ² C (Standard mode) | SDA input rise time | t _{Sr} | - | 1000 | ns | Figure 48.51 |
| | SDA input fall time | t _{Sf} | - | 300 | ns | |
| | SDA input spike pulse removal time | t _{SP} | 0 | 4 × t _{IIcCyc} ^{*1} | ns | |
| | Data input setup time | t _{SDAS} | 250 | - | ns | |
| | Data input hold time | t _{SDAH} | 0 | - | ns | |
| | SCL, SDA capacitive load | C _b ^{*2} | - | 400 | pF | |
| Simple I ² C (Fast mode) | SDA input rise time | t _{Sr} | - | 300 | ns | Figure 48.51 For all ports except P408, use PmnPFS.DSCR of middle drive. For port P408, use PmnPFS.DSCR1 /DSCR of middle drive for IIC fast-mode. |
| | SDA input fall time | t _{Sf} | - | 300 | ns | |
| | SDA input spike pulse removal time | t _{SP} | 0 | 4 × t _{IIcCyc} ^{*1} | ns | |
| | Data input setup time | t _{SDAS} | 100 | - | ns | |
| | Data input hold time | t _{SDAH} | 0 | - | ns | |
| | SCL, SDA capacitive load | C _b ^{*1} | - | 400 | pF | |

Note 1. t_{IIcCyc}: Clock cycle selected by the SMR.CKS[1:0] bits.

Note 2. C_b indicates the total capacity of the bus line.

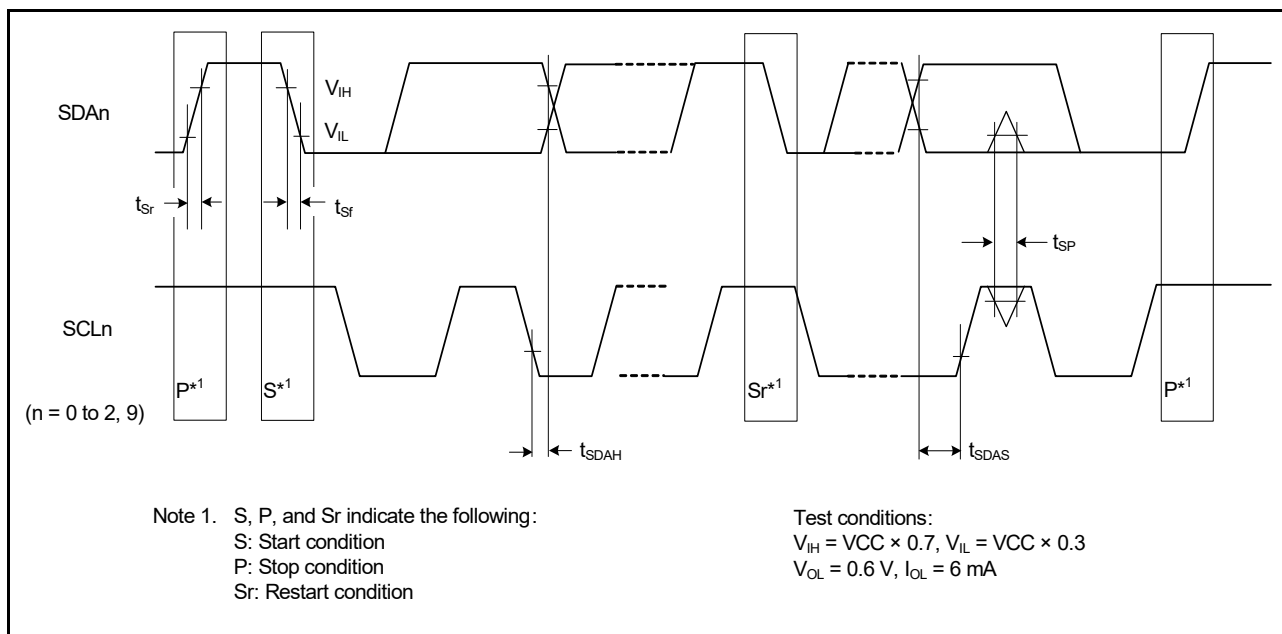


Figure 48.51 SCI simple IIC mode timing

48.3.9 SPI Timing

Table 48.36 SPI timing (1 of 2)

Conditions: Middle drive output is selected in the Port Drive Capability bit in PmnPFS register

| Parameter | | | Symbol | Min | Max | Unit*1 | Test conditions | |
|----------------------|-------------------------------------|---------------------|---------------------------------|-----------------------------------------------|---------------------|------------|-----------------|---------------------------------|
| SPI | RSPCK clock cycle | Master | t_{SPCyc} | 2*4 | 4096 | t_{Pcyc} | Figure 48.52 | |
| | | Slave | | 6 | 4096 | | | |
| | RSPCK clock high pulse width | Master | t_{SPCKWH} | $(t_{SPCyc} - t_{SPCKr} - t_{SPCKf}) / 2 - 3$ | - | - | | ns |
| | | Slave | | | $3 \times t_{Pcyc}$ | - | | |
| | RSPCK clock low pulse width | Master | t_{SPCKWL} | $(t_{SPCyc} - t_{SPCKr} - t_{SPCKf}) / 2 - 3$ | - | - | | ns |
| | | Slave | | | $3 \times t_{Pcyc}$ | - | | |
| | RSPCK clock rise and fall time | Output | 2.7 V or above | t_{SPCKr} , t_{SPCKf} | - | 10 | | ns |
| | | | 2.4 V or above | | - | 15 | | |
| | | | 1.8 V or above | | - | 20 | | |
| | | | 1.6 V or above | | - | 30 | | |
| | | Input | - | 1 | μ s | | | |
| | Data input setup time | Master | t_{SU} | 10 | - | ns | | Figure 48.53 to Figure 48.58 |
| Slave | | 2.4 V or above | | 10 | - | | | |
| | | 1.8 V or above | | 15 | - | | | |
| | | 1.6 V or above | | 20 | - | | | |
| Data input hold time | Master (RSPCK is PCLKA/2) | t_{HF} | 0 | - | ns | | | |
| | Master (RSPCK is other than above.) | t_H | t_{Pcyc} | - | | | | |
| | Slave | t_H | 20 | - | | | | |
| SSL setup time | Master | 1.8 V or above | t_{LEAD} | $-30 + N \times t_{SpCyc}^{*2}$ | - | ns | | |
| | | 1.6 V or above | | $-50 + N \times t_{SpCyc}^{*2}$ | - | | | |
| | Slave | $6 \times t_{Pcyc}$ | - | | | | | |
| SSL hold time | Master | t_{LAG} | $-30 + N \times t_{SpCyc}^{*3}$ | - | ns | | | |
| | Slave | | $6 \times t_{Pcyc}$ | - | | | | |

Table 48.36 SPI timing (2 of 2)

Conditions: Middle drive output is selected in the Port Drive Capability bit in PmnPFS register

| Parameter | | | Symbol | Min | Max | Unit*1 | Test conditions | |
|----------------------------------|-------------------|----------------|---------------------------------|------------------------------------------|---------|-------------------------------|-----------------|------------------------------|
| SPI | Data output delay | Master | 2.7 V or above | t_{OD} | - | 14 | ns | Figure 48.53 to Figure 48.58 |
| | | | 2.4 V or above | | - | 20 | | |
| | | | 1.8 V or above | | - | 25 | | |
| | | | 1.6 V or above | | - | 30 | | |
| | | Slave | 2.7 V or above | | - | 50 | | |
| | | | 2.4 V or above | | - | 60 | | |
| | | | 1.8 V or above | | - | 85 | | |
| | | | 1.6 V or above | | - | 110 | | |
| Data output hold time | Master | t_{OH} | 0 | - | ns | | | |
| | Slave | | 0 | - | | | | |
| Successive transmission delay | Master | t_{TD} | $t_{SPCyc} + 2 \times t_{PCyc}$ | $8 \times t_{SPCyc} + 2 \times t_{PCyc}$ | ns | | | |
| | Slave | | $6 \times t_{PCyc}$ | - | | | | |
| MOSI and MISO rise and fall time | Output | 2.7 V or above | t_{Dr}, t_{Df} | - | 10 | ns | | |
| | | 2.4 V or above | | - | 15 | | | |
| | | 1.8 V or above | | - | 20 | | | |
| | | 1.6 V or above | | - | 30 | | | |
| | Input | - | | 1 | μs | | | |
| SSL rise and fall time | Output | 2.7 V or above | t_{SSLr}, t_{SSLf} | - | 10 | ns | | |
| | | 2.4 V or above | | - | 15 | | | |
| | | 1.8 V or above | | - | 20 | | | |
| | | 1.6 V or above | | - | 30 | | | |
| | Input | - | | 1 | μs | | | |
| Slave access time | 2.4 V or above | t_{SA} | - | $2 \times t_{PCyc} + 100$ | ns | Figure 48.57 and Figure 48.58 | | |
| | 1.8 V or above | | - | $2 \times t_{PCyc} + 140$ | | | | |
| | 1.6 V or above | | - | $2 \times t_{PCyc} + 180$ | | | | |
| Slave output release time | 2.4 V or above | t_{REL} | - | $2 \times t_{PCyc} + 100$ | ns | | | |
| | 1.8 V or above | | - | $2 \times t_{PCyc} + 140$ | | | | |
| | 1.6 V or above | | - | $2 \times t_{PCyc} + 180$ | | | | |

Note 1. t_{PCyc} : PCLKA cycle.

Note 2. N is set as an integer from 1 to 8 by the SPCKD register.

Note 3. N is set as an integer from 1 to 8 by the SSLND register.

Note 4. The upper limit of RSPCK is 16 MHz.

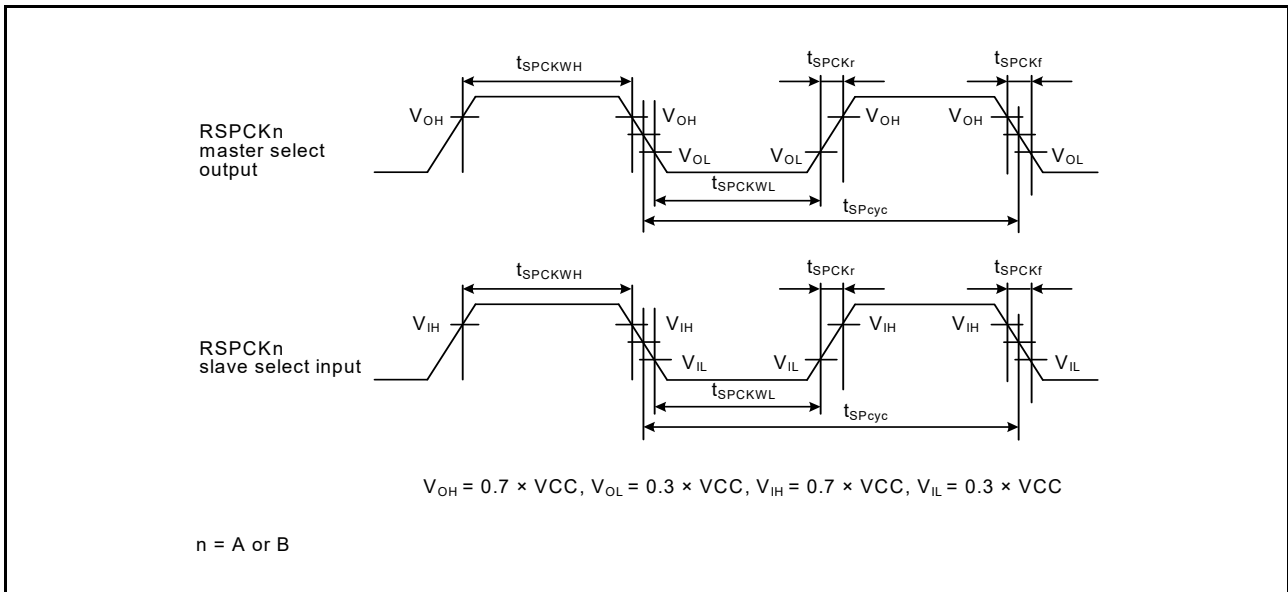


Figure 48.52 SPI clock timing

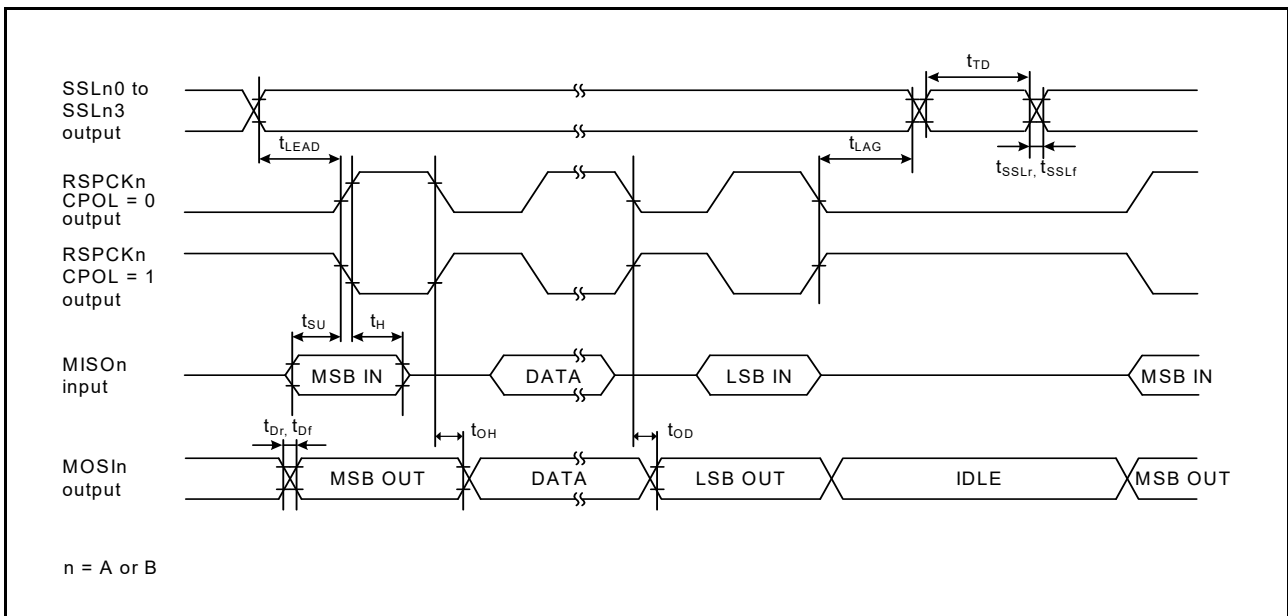


Figure 48.53 SPI timing for master when CPHA = 0 and the bit rate is set to any value other than PCLKA/2

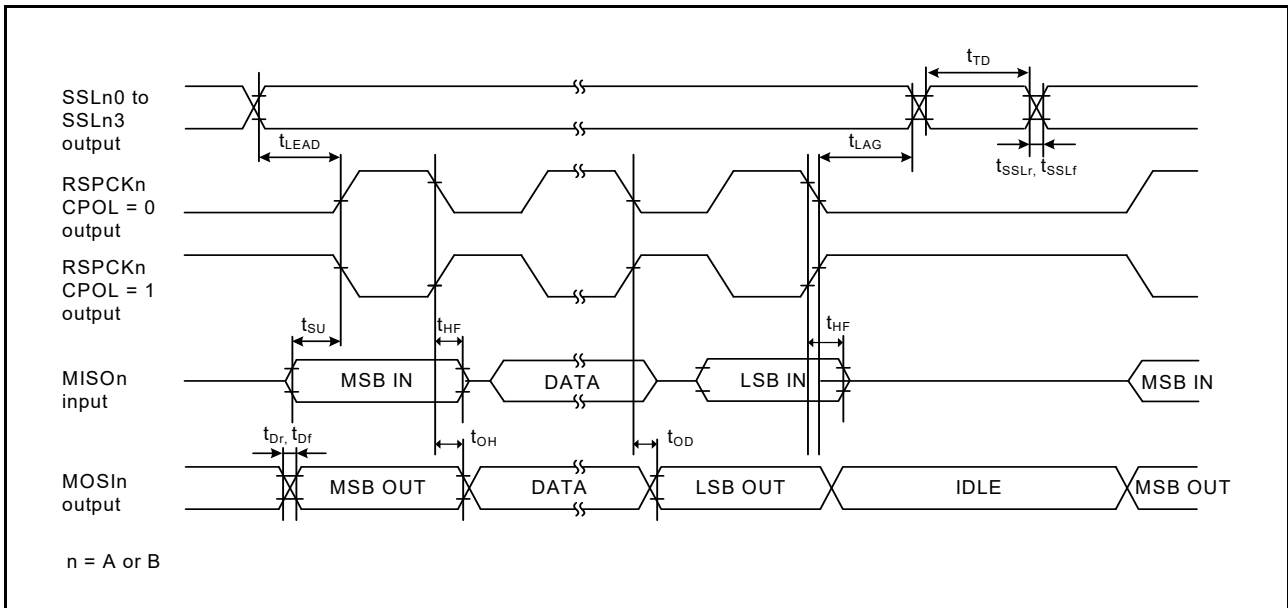


Figure 48.54 SPI timing for master when CPHA = 0 and the bit rate is set to PCLKA/2

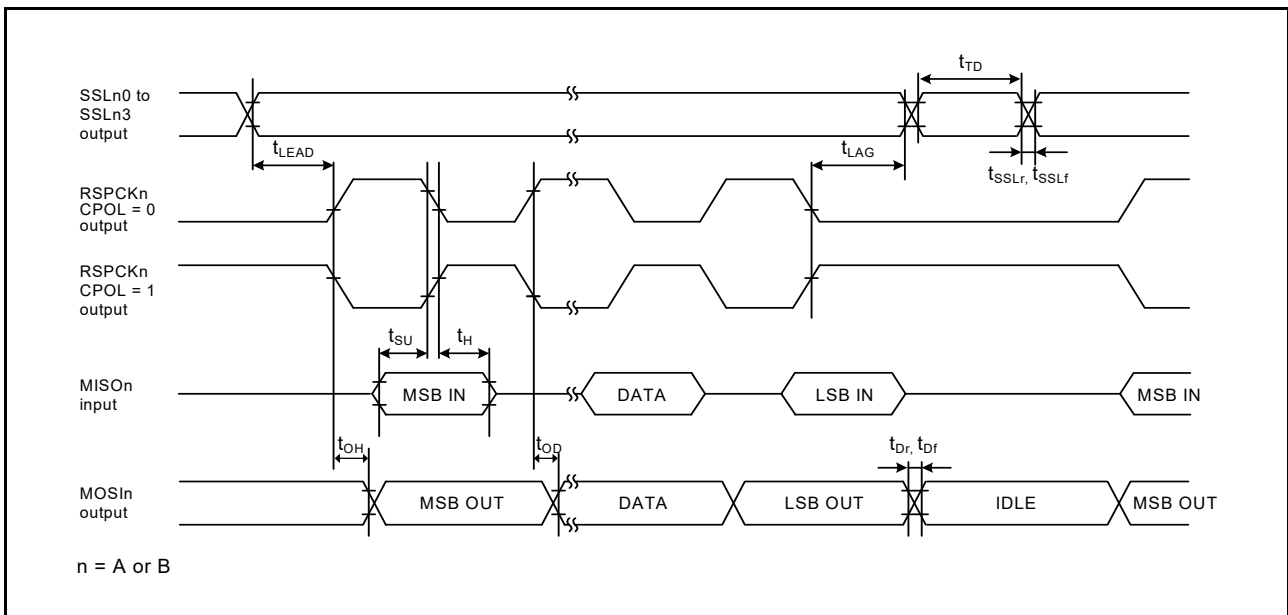


Figure 48.55 SPI timing for master when CPHA = 1 and the bit rate is set to any value other than PCLKA/2

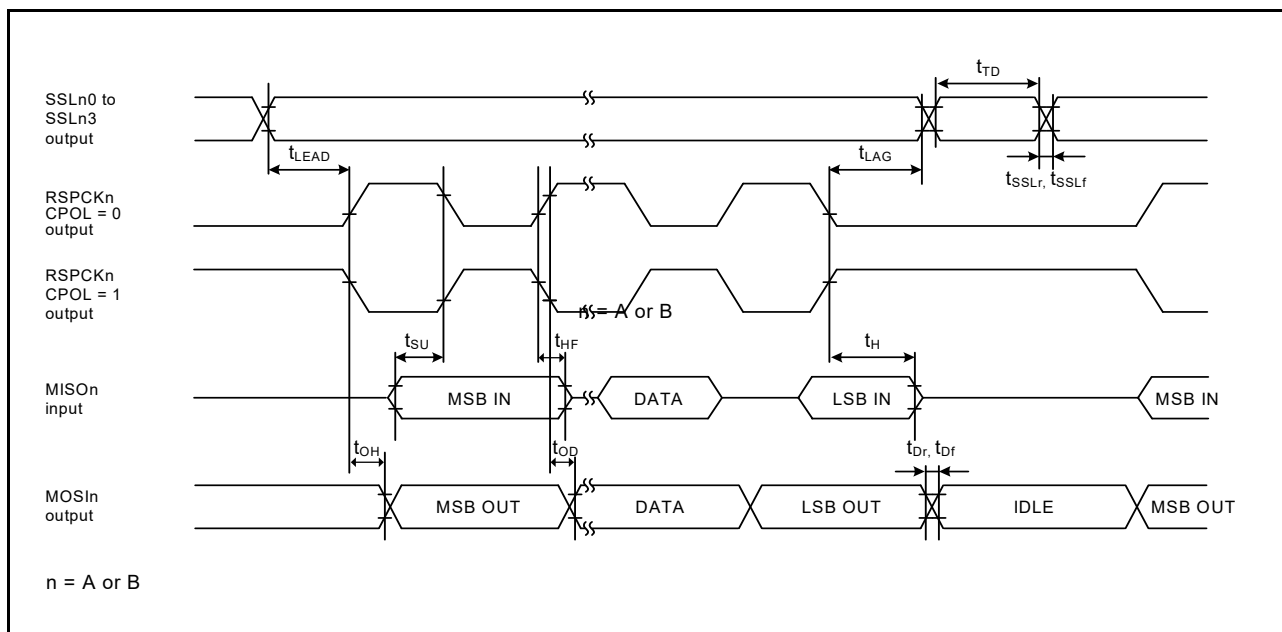


Figure 48.56 SPI timing for master when CPHA = 1 and the bit rate is set to PCLKA/2

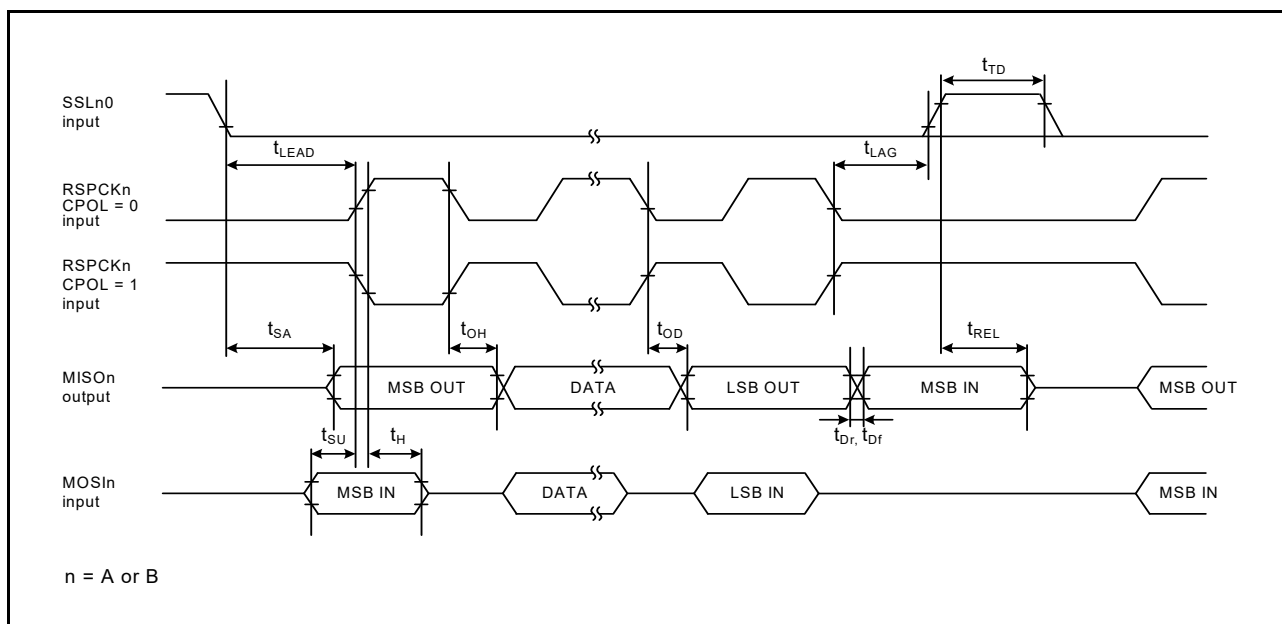


Figure 48.57 SPI timing for slave when CPHA = 0

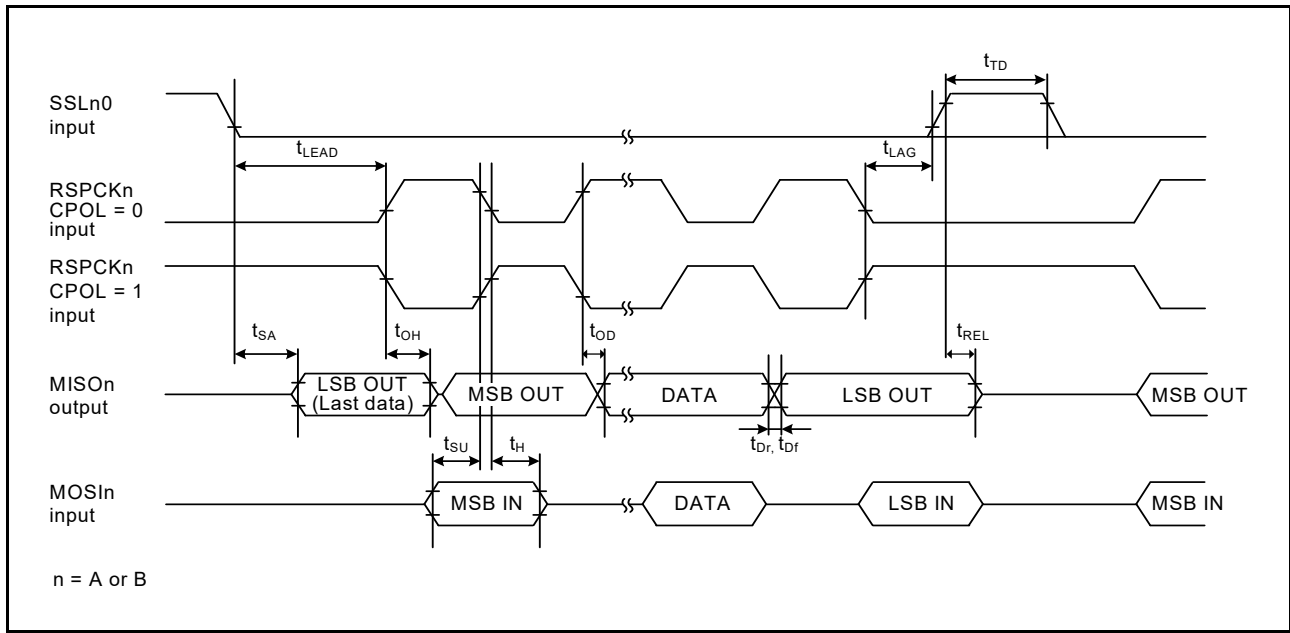


Figure 48.58 SPI timing for slave when CPHA = 1

48.3.10 IIC Timing

Table 48.37 IIC timing (1 of 2)
Conditions: VCC = 2.7 to 5.5 V

| Parameter | Symbol | Min*1 | Max | Unit | Test conditions | |
|----------------------------------|-----------------------------------------------------------------------|------------|-----------------------------------------------------|---------------------------|-----------------|--------------|
| IIC (standard mode, SMBus) | SCL input cycle time | t_{SCL} | $6 (12) \times t_{IICcyc} + 1300$ | - | ns | Figure 48.59 |
| | SCL input high pulse width | t_{SCLH} | $3 (6) \times t_{IICcyc} + 300$ | - | ns | |
| | SCL input low pulse width | t_{SCLL} | $3 (6) \times t_{IICcyc} + 300$ | - | ns | |
| | SCL, SDA input rise time | t_{Sr} | - | 1,000 | ns | |
| | SCL, SDA input fall time | t_{Sf} | - | 300 | ns | |
| | SCL, SDA input spike pulse removal time | t_{SP} | 0 | $1 (4) \times t_{IICcyc}$ | ns | |
| | SDA input bus free time (When wakeup function is disabled) | t_{BUF} | $3 (6) \times t_{IICcyc} + 300$ | - | ns | |
| | SDA input bus free time (When wakeup function is enabled) | t_{BUF} | $3 (6) \times t_{IICcyc} + 4 \times t_{Pcyc} + 300$ | - | ns | |
| | START condition input hold time (When wakeup function is disabled) | t_{STAH} | $t_{IICcyc} + 300$ | - | ns | |
| | START condition input hold time (When wakeup function is enabled) | t_{STAH} | $1 (5) \times t_{IICcyc} + t_{Pcyc} + 300$ | - | ns | |
| | Repeated START condition input setup time | t_{STAS} | 1,000 | - | ns | |
| | STOP condition input setup time | t_{STOS} | 1,000 | - | ns | |
| | Data input setup time | t_{SDAS} | $t_{IICcyc} + 50$ | - | ns | |
| | Data input hold time | t_{SDAH} | 0 | - | ns | |
| | SCL, SDA capacitive load | C_b | - | 400 | pF | |

Table 48.37 IIC timing (2 of 2)
 Conditions: VCC = 2.7 to 5.5 V

| Parameter | Symbol | Min*1 | Max | Unit | Test conditions | |
|--------------------|--------------------------------------------------------------------|------------|-----------------------------------------------------|---------------------------|-----------------|------------------------------------------------------------------------------------------------------------------------------------------------------------------------|
| IIC (Fast mode) | SCL input cycle time | t_{SCL} | $6 (12) \times t_{IICcyc} + 600$ | - | ns | Figure 48.59 For all ports except P408, use PmnPFS.DSCR of middle drive. For port P408, use PmnPFS.DSCR1/DSCR of middle drive for IIC fast-mode. |
| | SCL input high pulse width | t_{SCLH} | $3 (6) \times t_{IICcyc} + 300$ | - | ns | |
| | SCL input low pulse width | t_{SCLL} | $3 (6) \times t_{IICcyc} + 300$ | - | ns | |
| | SCL, SDA input rise time | t_{Sr} | - | 300 | ns | |
| | SCL, SDA input fall time | t_{Sf} | - | 300 | ns | |
| | SCL, SDA input spike pulse removal time | t_{SP} | 0 | $1 (4) \times t_{IICcyc}$ | ns | |
| | SDA input bus free time (When wakeup function is disabled) | t_{BUF} | $3 (6) \times t_{IICcyc} + 300$ | - | ns | |
| | SDA input bus free time (When wakeup function is enabled) | t_{BUF} | $3 (6) \times t_{IICcyc} + 4 \times t_{Pcyc} + 300$ | - | ns | |
| | START condition input hold time (When wakeup function is disabled) | t_{STAH} | $t_{IICcyc} + 300$ | - | ns | |
| | START condition input hold time (When wakeup function is enabled) | t_{STAH} | $1(5) \times t_{IICcyc} + t_{Pcyc} + 300$ | - | ns | |
| | Repeated START condition input setup time | t_{STAS} | 300 | - | ns | |
| | STOP condition input setup time | t_{STOS} | 300 | - | ns | |
| | Data input setup time | t_{SDAS} | $t_{IICcyc} + 50$ | - | ns | |
| | Data input hold time | t_{SDAH} | 0 | - | ns | |
| | SCL, SDA capacitive load | C_b | - | 400 | pF | |

Note: t_{IICcyc} : IIC internal reference clock (IIC ϕ) cycle, t_{Pcyc} : PCLKB cycle

Note 1. The value in parentheses apply when ICMR3.NF[1:0] is set to 11b while the digital filter is enabled with ICFER.NFE set to 1.

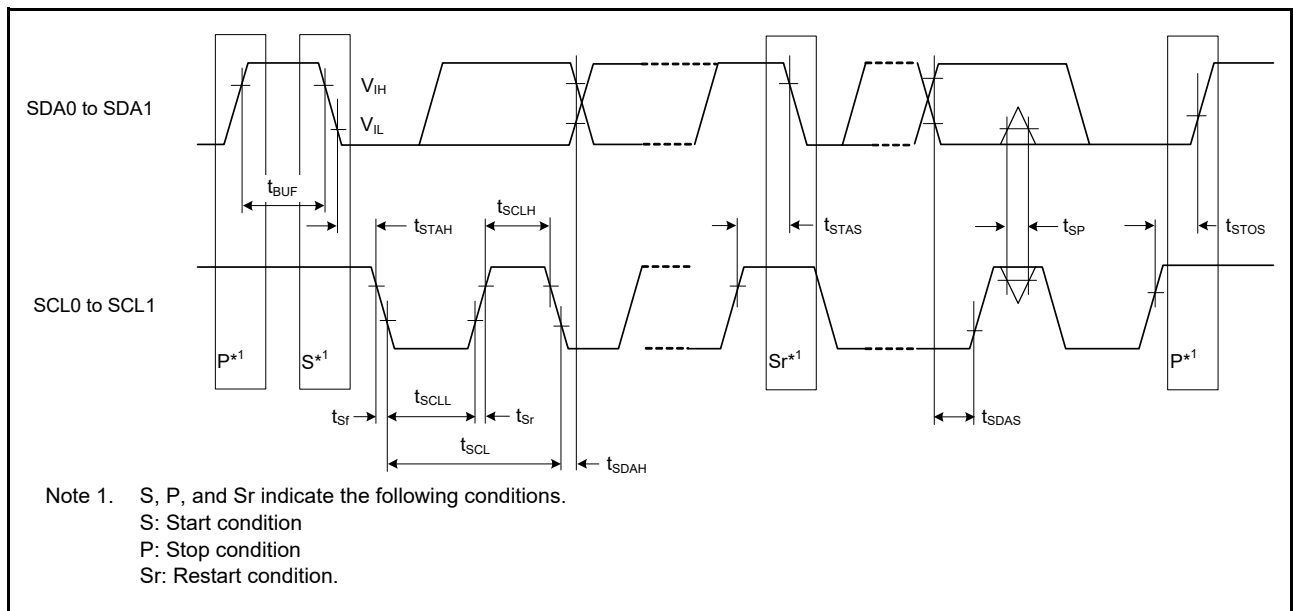


Figure 48.59 IIC bus interface input/output timing

48.3.11 SSIE Timing

Table 48.38 SSIE timing

Conditions: VCC = 1.6 to 5.5 V

| Parameter | | Symbol | Min | Max | Unit | Test conditions | | | |
|-------------------------------------------------------|---------------------------|--------------------|------------------|-----|------|-----------------|---|--------------|-------------------------------|
| SSIE | AUDIO_CLK input frequency | t_{AUDIO} | 2.7 V or above | - | 25 | MHz | - | | |
| | | | 1.6 V or above | - | 4 | | | | |
| | Output clock period | | t_{O} | 250 | - | ns | | Figure 48.60 | |
| | Input clock period | | t_{I} | 250 | - | ns | | | |
| | Clock high pulse width | 1.8 V or above | t_{HC} | 100 | - | ns | | | |
| | | 1.6 V or above | | 200 | - | | | | |
| | Clock low pulse width | 1.8 V or above | t_{LC} | 100 | - | ns | | | |
| | | 1.6 V or above | | 200 | - | | | | |
| | Clock rise time | | t_{RC} | - | 25 | ns | | | |
| | Data delay | 2.7 V or above | t_{DTR} | - | 65 | ns | | | Figure 48.61, Figure 48.62 |
| | | 1.8 V or above | | - | 105 | | | | |
| | | 1.6 V or above | | - | 140 | | | | |
| Set-up time | 2.7 V or above | t_{SR} | 65 | - | ns | | | | |
| | 1.8 V or above | | 90 | - | | | | | |
| | 1.6 V or above | | 140 | - | | | | | |
| Hold time | | t_{HTR} | 40 | - | ns | | | | |
| SSITXD0 output delay from SSILRCK0/SSIFS0 change time | 1.8 V or above | T_{DTRW} | - | 105 | ns | Figure 48.63 | | | |
| | 1.6 V or above | | - | 140 | | | | | |

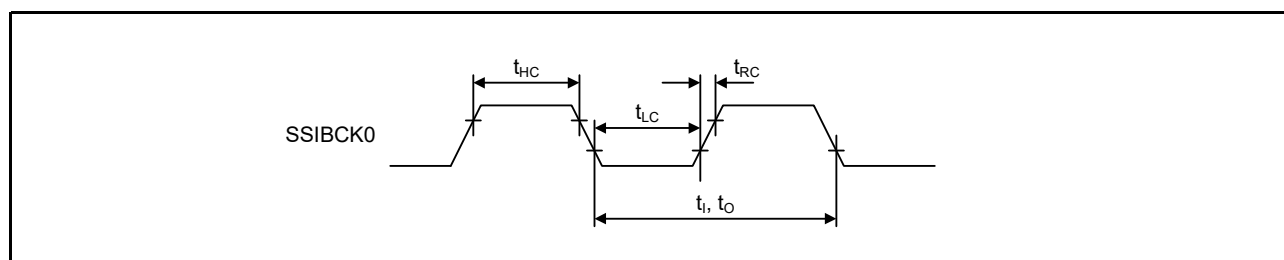


Figure 48.60 SSIE clock input/output timing

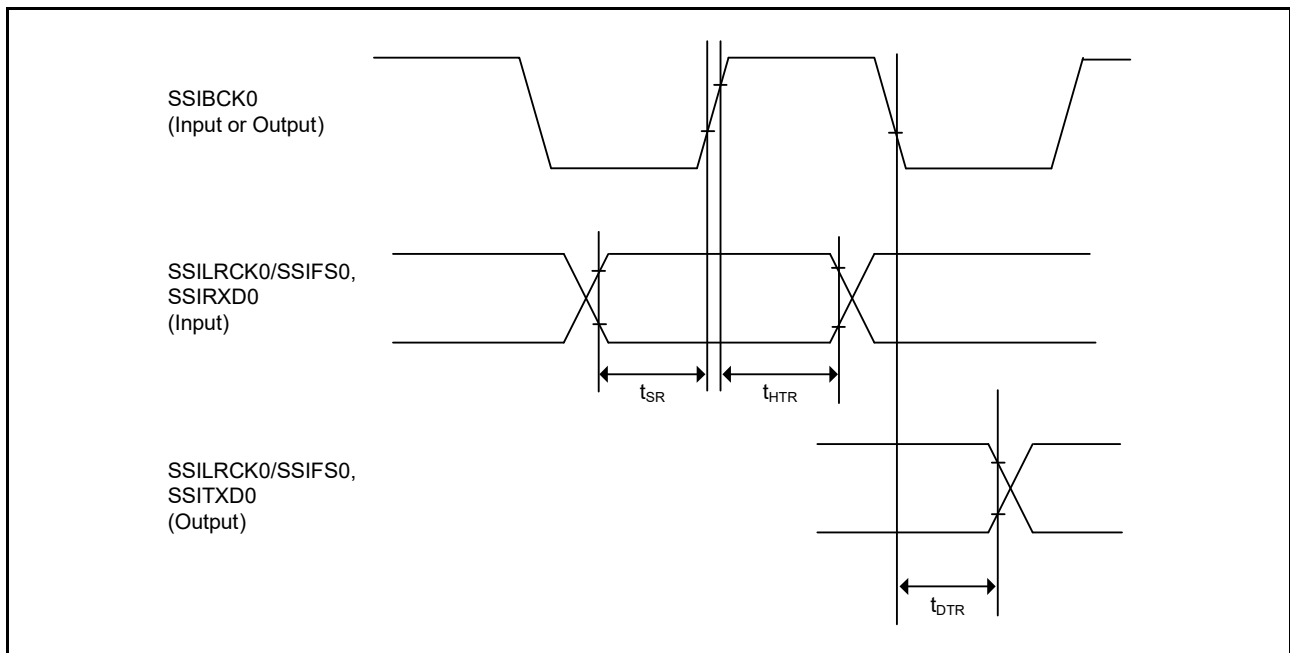


Figure 48.61 SSIE data transmit/receive timing (SSICR.BCKP = 0)

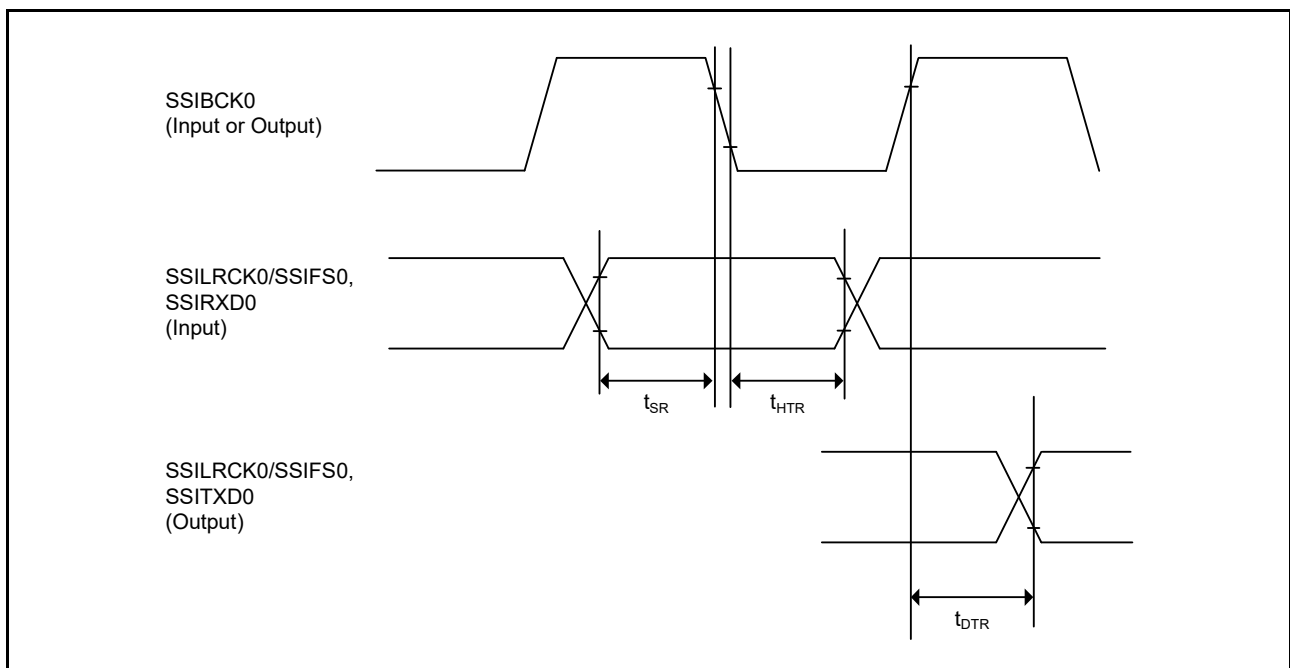


Figure 48.62 SSIE data transmit/receive timing (SSICR.BCKP = 1)

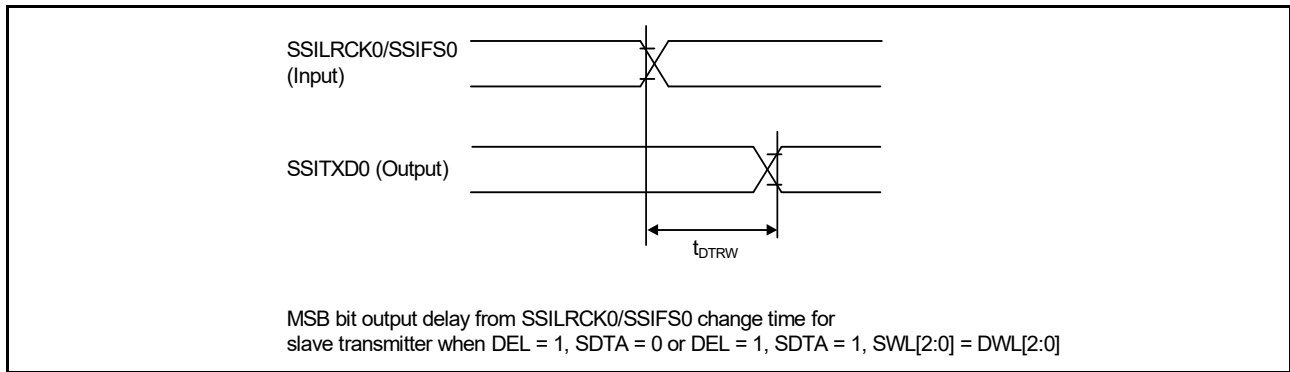


Figure 48.63 SSIE data output delay from SSILRCK0/SSIFS0 change time

48.3.12 CLKOUT Timing

Table 48.39 CLKOUT timing

| Parameter | | Symbol | Min | Max | Unit*1 | Test conditions | |
|-------------------------------|---------------------------|----------------------|-----------|------|--------|-----------------|--------------|
| CLKOUT | CLKOUT pin output cycle*1 | VCC = 2.7 V or above | t_{Cyc} | 62.5 | - | ns | Figure 48.64 |
| | | VCC = 1.8 V or above | | 125 | - | | |
| | | VCC = 1.6 V or above | | 250 | - | | |
| CLKOUT pin high pulse width*2 | VCC = 2.7 V or above | t_{CH} | 15 | - | ns | | |
| | VCC = 1.8 V or above | | 30 | - | | | |
| | VCC = 1.6 V or above | | 150 | - | | | |
| CLKOUT pin low pulse width*2 | VCC = 2.7 V or above | t_{CL} | 15 | - | ns | | |
| | VCC = 1.8 V or above | | 30 | - | | | |
| | VCC = 1.6 V or above | | 150 | - | | | |
| CLKOUT pin output rise time | VCC = 2.7 V or above | t_{Cr} | - | 12 | ns | | |
| | VCC = 1.8 V or above | | - | 25 | | | |
| | VCC = 1.6 V or above | | - | 50 | | | |
| CLKOUT pin output fall time | VCC = 2.7 V or above | t_{Cf} | - | 12 | ns | | |
| | VCC = 1.8 V or above | | - | 25 | | | |
| | VCC = 1.6 V or above | | - | 50 | | | |

Note 1. When the EXTAL external clock input or an oscillator is used with division by 1 (the CKOCR.CKOSSEL[2:0] bits are 011b and the CKOCR.CKODIV[2:0] bits are 000b) to output from CLKOUT, the above should be satisfied with an input duty cycle of 45 to 55%.

Note 2. When the MOCO is selected as the clock output source (the CKOCR.CKOSSEL[2:0] bits are 001b), set the clock output division ratio selection to be divided by 2 (the CKOCR.CKODIV[2:0] bits are 001b).

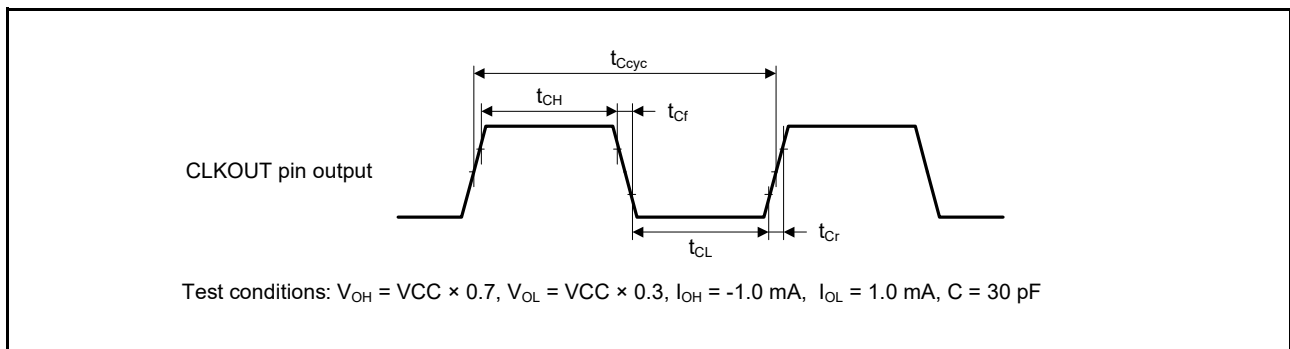


Figure 48.64 CLKOUT output timing

48.4 USB Characteristics

48.4.1 USBFS Timing

Table 48.40 USB characteristics

Conditions: VCC = VCC_USB = 3.0 to 3.6 V, T_a = -20 to +85°C (USBCLKSEL = 1), T_a = -40 to +105°C (USBCLKSEL = 0)

| Parameter | | Symbol | Min | Max | Unit | Test conditions | |
|----------------------------------------|--------------------------------|----------------------|--------------------------------|-----------|-------------------------------------------------------------------|------------------------------------------|----|
| Input characteristics | Input high level voltage | V _{IH} | 2.0 | - | V | - | |
| | Input low level voltage | V _{IL} | - | 0.8 | V | - | |
| | Differential input sensitivity | V _{DI} | 0.2 | - | V | USB_DP - USB_DM | |
| | Differential common mode range | V _{CM} | 0.8 | 2.5 | V | - | |
| Output characteristics | Output high level voltage | V _{OH} | 2.8 | VCC_USB | V | I _{OH} = -200 μA | |
| | Output low level voltage | V _{OL} | 0.0 | 0.3 | V | I _{OL} = 2 mA | |
| | Cross-over voltage | V _{CRS} | 1.3 | 2.0 | V | Figure 48.65, Figure 48.66, Figure 48.67 | |
| | Rise time | FS | t _r | 4 | 20 | | ns |
| | | LS | | 75 | 300 | | |
| | Fall time | FS | t _f | 4 | 20 | | ns |
| | | LS | | 75 | 300 | | |
| | Rise/fall time ratio | FS | t _r /t _f | 90 | 111.11 | | % |
| LS | | | 80 | 125 | | | |
| Output resistance | Z _{DRV} | 28 | 44 | Ω | (Adjusting the resistance of external elements is not necessary.) | | |
| VBUS characteristics | VBUS input voltage | V _{IH} | VCC × 0.8 | - | V | - | |
| | | V _{IL} | - | VCC × 0.2 | V | - | |
| Pull-up, pull-down | Pull-down resistor | R _{PD} | 14.25 | 24.80 | kΩ | - | |
| | Pull-up resistor | R _{PUI} | 0.9 | 1.575 | kΩ | During idle state | |
| | | R _{PUA} | 1.425 | 3.09 | kΩ | During reception | |
| Battery Charging Specification Ver 1.2 | D + sink current | I _{DP_SINK} | 25 | 175 | μA | - | |
| | D - sink current | I _{DM_SINK} | 25 | 175 | μA | - | |
| | DCD source current | I _{DP_SRC} | 7 | 13 | μA | - | |
| | Data detection voltage | V _{DAT_REF} | 0.25 | 0.4 | V | - | |
| | D + source voltage | V _{DP_SRC} | 0.5 | 0.7 | V | Output current = 250 μA | |
| | D - source voltage | V _{DM_SRC} | 0.5 | 0.7 | V | Output current = 250 μA | |

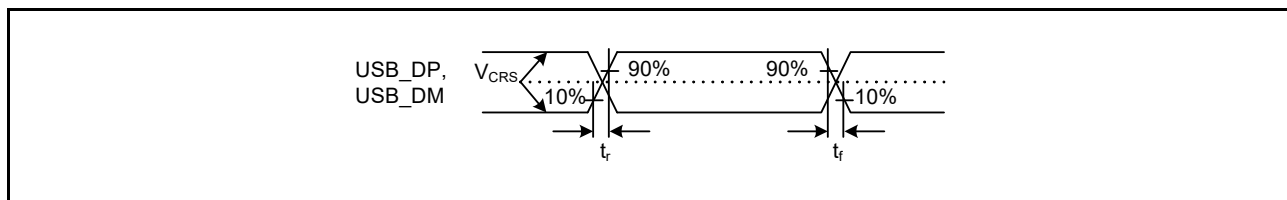


Figure 48.65 USB_DP and USB_DM output timing

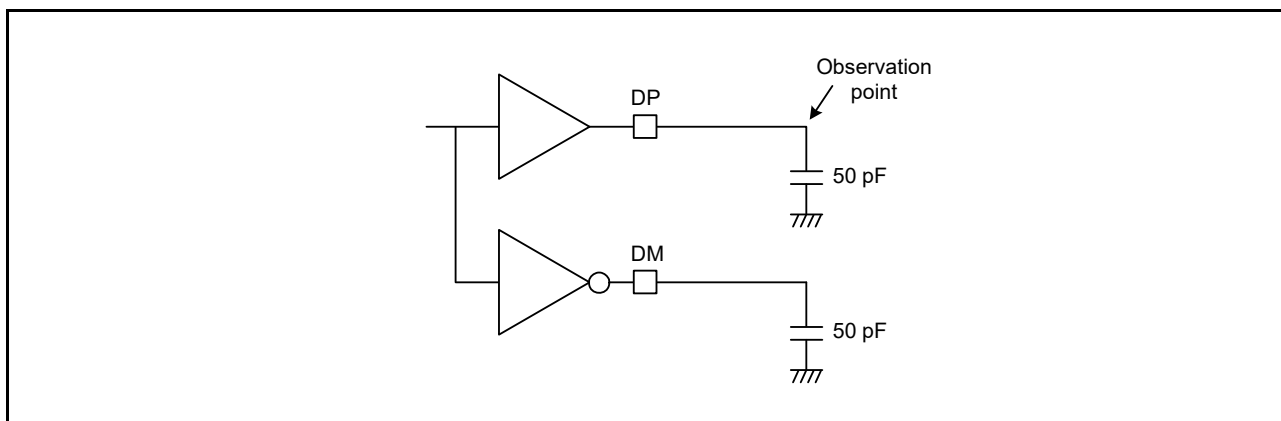


Figure 48.66 Test circuit for Full-Speed (FS) connection

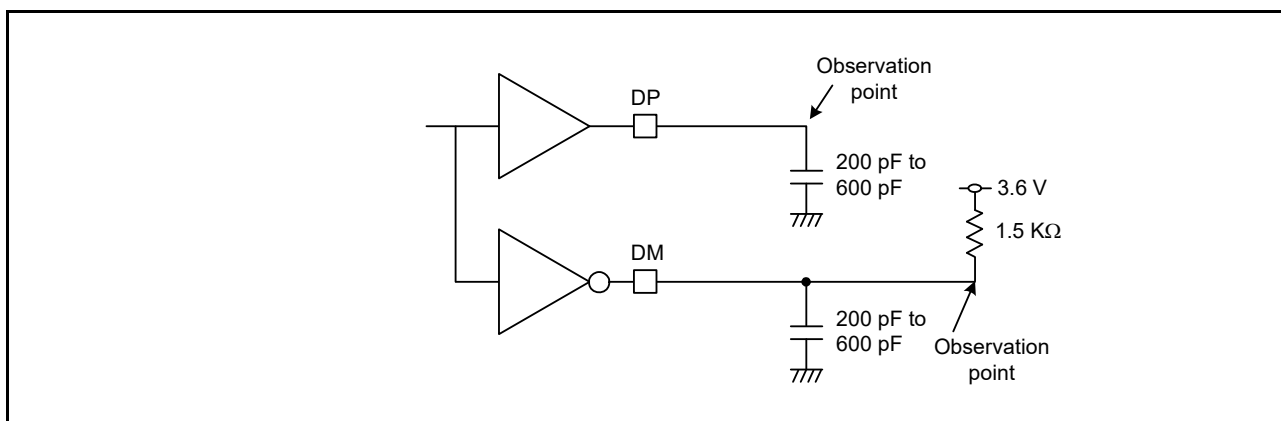


Figure 48.67 Test circuit for Low-Speed (LS) connection

48.4.2 USB External Supply

Table 48.41 USB regulator

| Parameter | Min | Typ | Max | Unit | Test conditions | |
|------------------------|--------------------|-----|-----|------|-----------------|---|
| VCC_USB supply current | VCC_USB_LDO ≥ 3.8V | - | - | 50 | mA | - |
| | VCC_USB_LDO ≥ 4.5V | - | - | 100 | mA | - |
| VCC_USB supply voltage | 3.0 | - | 3.6 | V | - | |

48.5 ADC14 Characteristics

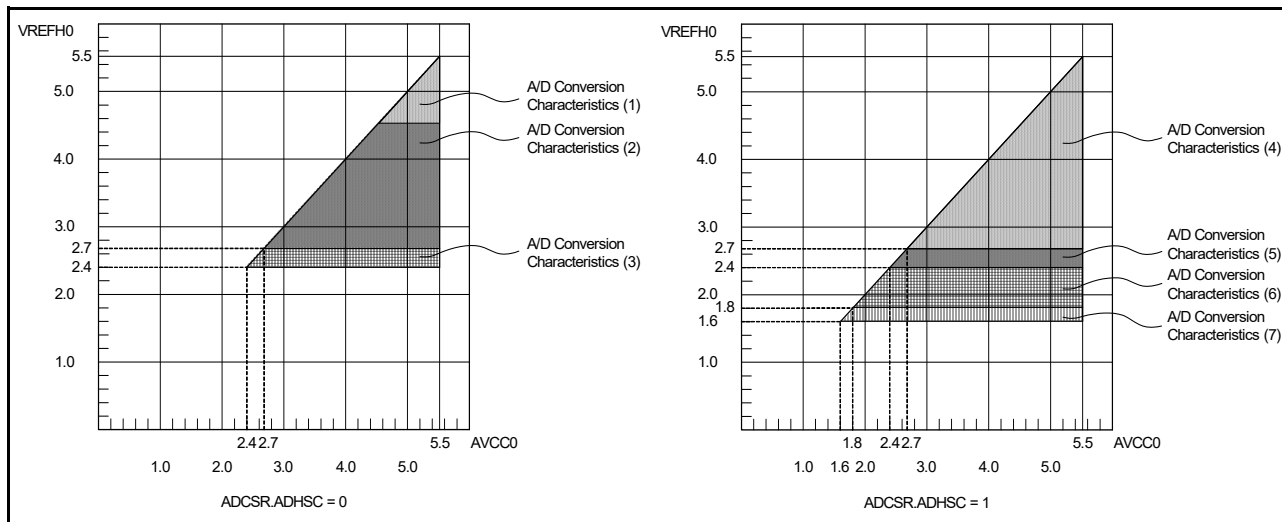


Figure 48.68 AVCC0 to VREFH0 voltage range

Table 48.42 A/D conversion characteristics (1) in high-speed A/D conversion mode (1 of 2)

Conditions: VCC = AVCC0 = 4.5 to 5.5 V, VREFH0 = 4.5 to 5.5 V
Reference voltage range applied to the VREFH0 and VREFL0.

| Parameter | Min | Typ | Max | Unit | Test conditions | |
|----------------------------------------------------|------------------------------------------------------|-------|----------------------|------|--------------------------|-----------------------------------------------------------------------|
| Frequency | 1 | - | 64 | MHz | - | |
| Analog input capacitance*2 | Cs | - | 8 (reference data) | pF | High-precision channel | |
| | | - | 9 (reference data) | pF | Normal-precision channel | |
| Analog input resistance | Rs | - | 2.5 (reference data) | kΩ | High-precision channel | |
| | | - | 6.7 (reference data) | kΩ | Normal-precision channel | |
| Analog input voltage range | Ain | 0 | VREFH0 | V | - | |
| 12-bit mode | | | | | | |
| Resolution | - | - | 12 | Bit | - | |
| Conversion time*1 (Operation at PCLKC = 64 MHz) | Permissible signal source impedance Max. = 0.3 kΩ | 0.70 | - | - | μs | High-precision channel ADCSR.ADHSC = 0 ADSSTRn.SST[7:0] = 0Dh |
| | | 1.13 | - | - | μs | Normal-precision channel ADCSR.ADHSC = 0 ADSSTRn.SST[7:0] = 28h |
| Offset error | - | ±0.5 | ±4.5 | LSB | High-precision channel | |
| | | | ±6.0 | LSB | Other than above | |
| Full-scale error | - | ±0.75 | ±4.5 | LSB | High-precision channel | |
| | | | ±6.0 | LSB | Other than above | |
| Quantization error | - | ±0.5 | - | LSB | - | |
| Absolute accuracy | - | ±1.25 | ±5.0 | LSB | High-precision channel | |
| | | | ±8.0 | LSB | Other than above | |
| DNL differential nonlinearity error | - | ±1.0 | - | LSB | - | |
| INL integral nonlinearity error | - | ±1.0 | ±3.0 | LSB | - | |
| 14-bit mode | | | | | | |
| Resolution | - | - | 14 | Bit | - | |

Table 48.42 A/D conversion characteristics (1) in high-speed A/D conversion mode (2 of 2)

Conditions: VCC = AVCC0 = 4.5 to 5.5 V, VREFH0 = 4.5 to 5.5 V
Reference voltage range applied to the VREFH0 and VREFL0.

| Parameter | | Min | Typ | Max | Unit | Test conditions |
|-------------------------------------------------------|---------------------------------------------------------|------|------|-------|------|-----------------------------------------------------------------------|
| Conversion time*1 (Operation at PCLKC = 64 MHz) | Permissible signal source impedance Max. = 0.3 kΩ | 0.80 | - | - | μs | High-precision channel ADCSR.ADHSC = 0 ADSSTRn.SST[7:0] = 0Dh |
| | | 1.22 | - | - | μs | Normal-precision channel ADCSR.ADHSC = 0 ADSSTRn.SST[7:0] = 28h |
| Offset error | | - | ±2.0 | ±18 | LSB | High-precision channel |
| | | | | ±24.0 | LSB | Other than above |
| Full-scale error | | - | ±3.0 | ±18 | LSB | High-precision channel |
| | | | | ±24.0 | LSB | Other than above |
| Quantization error | | - | ±0.5 | - | LSB | - |
| Absolute accuracy | | - | ±5.0 | ±20 | LSB | High-precision channel |
| | | | | ±32.0 | LSB | Other than above |
| DNL differential nonlinearity error | | - | ±4.0 | - | LSB | - |
| INL integral nonlinearity error | | - | ±4.0 | ±12.0 | LSB | - |

Note: The characteristics apply when no pin functions other than 14-bit A/D converter input are used. Absolute accuracy does not include quantization errors. Offset error, full-scale error, DNL differential nonlinearity error, and INL integral nonlinearity error do not include quantization errors.

Note 1. The conversion time is the sum of the sampling time and the comparison time. The number of sampling states is indicated for the test conditions.

Note 2. Except for I/O input capacitance (C_{in}), see [section 48.2.4, I/O V_{OH}, V_{OL}, and Other Characteristics](#).

Table 48.43 A/D conversion characteristics (2) in high-speed A/D conversion mode (1 of 2)

Conditions: VCC = AVCC0 = 2.7 to 5.5 V, VREFH0 = 2.7 to 5.5 V
Reference voltage range applied to the VREFH0 and VREFL0.

| Parameter | | Min | Typ | Max | Unit | Test conditions |
|-------------------------------------------------------|---------------------------------------------------------|------|-------|----------------------|------|-----------------------------------------------------------------------|
| Frequency | | 1 | - | 48 | MHz | - |
| Analog input capacitance*2 | Cs | - | - | 8 (reference data) | pF | High-precision channel |
| | | - | - | 9 (reference data) | pF | Normal-precision channel |
| Analog input resistance | Rs | - | - | 2.5 (reference data) | kΩ | High-precision channel |
| | | - | - | 6.7 (reference data) | kΩ | Normal-precision channel |
| Analog input voltage range | Ain | 0 | - | VREFH0 | V | - |
| 12-bit mode | | | | | | |
| Resolution | | - | - | 12 | Bit | - |
| Conversion time*1 (Operation at PCLKC = 48 MHz) | Permissible signal source impedance Max. = 0.3 kΩ | 0.94 | - | - | μs | High-precision channel ADCSR.ADHSC = 0 ADSSTRn.SST[7:0] = 0Dh |
| | | 1.50 | - | - | μs | Normal-precision channel ADCSR.ADHSC = 0 ADSSTRn.SST[7:0] = 28h |
| Offset error | | - | ±0.5 | ±4.5 | LSB | High-precision channel |
| | | | | ±6.0 | LSB | Other than above |
| Full-scale error | | - | ±0.75 | ±4.5 | LSB | High-precision channel |
| | | | | ±6.0 | LSB | Other than above |
| Quantization error | | - | ±0.5 | - | LSB | - |
| Absolute accuracy | | - | ±1.25 | ±5.0 | LSB | High-precision channel |
| | | | | ±8.0 | LSB | Other than above |
| DNL differential nonlinearity error | | - | ±1.0 | - | LSB | - |
| INL integral nonlinearity error | | - | ±1.0 | ±3.0 | LSB | - |

Table 48.43 A/D conversion characteristics (2) in high-speed A/D conversion mode (2 of 2)

Conditions: VCC = AVCC0 = 2.7 to 5.5 V, VREFH0 = 2.7 to 5.5 V
Reference voltage range applied to the VREFH0 and VREFL0.

| Parameter | | Min | Typ | Max | Unit | Test conditions |
|-------------------------------------------------------|---------------------------------------------------------|------|------|-------|------|-----------------------------------------------------------------------|
| 14-bit mode | | | | | | |
| Resolution | | - | - | 14 | Bit | - |
| Conversion time*1 (Operation at PCLKC = 48 MHz) | Permissible signal source impedance Max. = 0.3 kΩ | 1.06 | - | - | μs | High-precision channel ADCSR.ADHSC = 0 ADSSTRn.SST[7:0] = 0Dh |
| | | 1.63 | - | - | μs | Normal-precision channel ADCSR.ADHSC = 0 ADSSTRn.SST[7:0] = 28h |
| Offset error | | - | ±2.0 | ±18 | LSB | High-precision channel |
| | | | | ±24.0 | LSB | Other than above |
| Full-scale error | | - | ±3.0 | ±18 | LSB | High-precision channel |
| | | | | ±24.0 | LSB | Other than above |
| Quantization error | | - | ±0.5 | - | LSB | - |
| Absolute accuracy | | - | ±5.0 | ±20 | LSB | High-precision channel |
| | | | | ±32.0 | LSB | Other than above |
| DNL differential nonlinearity error | | - | ±4.0 | - | LSB | - |
| INL integral nonlinearity error | | - | ±4.0 | ±12.0 | LSB | - |

Note: The characteristics apply when no pin functions other than 14-bit A/D converter input are used. Absolute accuracy does not include quantization errors. Offset error, full-scale error, DNL differential nonlinearity error, and INL integral nonlinearity error do not include quantization errors.

Note 1. The conversion time is the sum of the sampling time and the comparison time. The number of sampling states is indicated for the test conditions.

Note 2. Except for I/O input capacitance (C_{in}), see [section 48.2.4, I/O V_{OH}, V_{OL}, and Other Characteristics](#).

Table 48.44 A/D conversion characteristics (3) in high-speed A/D conversion mode (1 of 2)

Conditions: VCC = AVCC0 = 2.4 to 5.5 V, VREFH0 = 2.4 to 5.5 V
Reference voltage range applied to the VREFH0 and VREFL0.

| Parameter | | Min | Typ | Max | Unit | Test conditions |
|-------------------------------------------------------|---------------------------------------------------------|------|-------|----------------------|------|-----------------------------------------------------------------------|
| Frequency | | 1 | - | 32 | MHz | - |
| Analog input capacitance*2 | Cs | - | - | 8 (reference data) | pF | High-precision channel |
| | | - | - | 9 (reference data) | pF | Normal-precision channel |
| Analog input resistance | Rs | - | - | 2.5 (reference data) | kΩ | High-precision channel |
| | | - | - | 6.7 (reference data) | kΩ | Normal-precision channel |
| Analog input voltage range | Ain | 0 | - | VREFH0 | V | - |
| 12-bit mode | | | | | | |
| Resolution | | - | - | 12 | Bit | - |
| Conversion time*1 (Operation at PCLKC = 32 MHz) | Permissible signal source impedance Max. = 1.3 kΩ | 1.41 | - | - | μs | High-precision channel ADCSR.ADHSC = 0 ADSSTRn.SST[7:0] = 0Dh |
| | | 2.25 | - | - | μs | Normal-precision channel ADCSR.ADHSC = 0 ADSSTRn.SST[7:0] = 28h |
| Offset error | | - | ±0.5 | ±4.5 | LSB | High-precision channel |
| | | | | ±6.0 | LSB | Other than above |
| Full-scale error | | - | ±0.75 | ±4.5 | LSB | High-precision channel |
| | | | | ±6.0 | LSB | Other than above |
| Quantization error | | - | ±0.5 | - | LSB | - |
| Absolute accuracy | | - | ±1.25 | ±5.0 | LSB | High-precision channel |
| | | | | ±8.0 | LSB | Other than above |

Table 48.44 A/D conversion characteristics (3) in high-speed A/D conversion mode (2 of 2)

Conditions: VCC = AVCC0 = 2.4 to 5.5 V, VREFH0 = 2.4 to 5.5 V
Reference voltage range applied to the VREFH0 and VREFL0.

| Parameter | | Min | Typ | Max | Unit | Test conditions |
|-------------------------------------------------------|---------------------------------------------------------|------|------|-------|------|-----------------------------------------------------------------------|
| DNL differential nonlinearity error | | - | ±1.0 | - | LSB | - |
| INL integral nonlinearity error | | - | ±1.0 | ±3.0 | LSB | - |
| 14-bit mode | | | | | | |
| Resolution | | - | - | 14 | Bit | - |
| Conversion time*1 (Operation at PCLKC = 32 MHz) | Permissible signal source impedance Max. = 1.3 kΩ | 1.59 | - | - | μs | High-precision channel ADCSR.ADHSC = 0 ADSSTRn.SST[7:0] = 0Dh |
| | | 2.44 | - | - | μs | Normal-precision channel ADCSR.ADHSC = 0 ADSSTRn.SST[7:0] = 28h |
| Offset error | | - | ±2.0 | ±18 | LSB | High-precision channel |
| | | | | ±24.0 | LSB | Other than above |
| Full-scale error | | - | ±3.0 | ±18 | LSB | High-precision channel |
| | | | | ±24.0 | LSB | Other than above |
| Quantization error | | - | ±0.5 | - | LSB | - |
| Absolute accuracy | | - | ±5.0 | ±20 | LSB | High-precision channel |
| | | | | ±32.0 | LSB | Other than above |
| DNL differential nonlinearity error | | - | ±4.0 | - | LSB | - |
| INL integral nonlinearity error | | - | ±4.0 | ±12.0 | LSB | - |

Note: The characteristics apply when no pin functions other than 14-bit A/D converter input are used. Absolute accuracy does not include quantization errors. Offset error, full-scale error, DNL differential nonlinearity error, and INL integral nonlinearity error do not include quantization errors.

Note 1. The conversion time is the sum of the sampling time and the comparison time. The number of sampling states is indicated for the test conditions.

Note 2. Except for I/O input capacitance (C_{in}), see [section 48.2.4, I/O V_{OH}, V_{OL}, and Other Characteristics](#).

Table 48.45 A/D conversion characteristics (4) in low power A/D conversion mode (1 of 2)

Conditions: VCC = AVCC0 = 2.7 to 5.5 V, VREFH0 = 2.7 to 5.5 V
Reference voltage range applied to the VREFH0 and VREFL0.

| Parameter | | Min | Typ | Max | Unit | Test conditions |
|-------------------------------------------------------|---------------------------------------------------------|------|-------|----------------------|------|-----------------------------------------------------------------------|
| Frequency | | 1 | - | 24 | MHz | - |
| Analog input capacitance*2 | Cs | - | - | 8 (reference data) | pF | High-precision channel |
| | | - | - | 9 (reference data) | pF | Normal-precision channel |
| Analog input resistance | Rs | - | - | 2.5 (reference data) | kΩ | High-precision channel |
| | | - | - | 6.7 (reference data) | kΩ | Normal-precision channel |
| Analog input voltage range | Ain | 0 | - | VREFH0 | V | - |
| 12-bit mode | | | | | | |
| Resolution | | - | - | 12 | Bit | - |
| Conversion time*1 (Operation at PCLKC = 24 MHz) | Permissible signal source impedance Max. = 1.1 kΩ | 2.25 | - | - | μs | High-precision channel ADCSR.ADHSC = 1 ADSSTRn.SST[7:0] = 0Dh |
| | | 3.38 | - | - | μs | Normal-precision channel ADCSR.ADHSC = 1 ADSSTRn.SST[7:0] = 28h |
| Offset error | | - | ±0.5 | ±4.5 | LSB | High-precision channel |
| | | | | ±6.0 | LSB | Other than above |
| Full-scale error | | - | ±0.75 | ±4.5 | LSB | High-precision channel |
| | | | | ±6.0 | LSB | Other than above |
| Quantization error | | - | ±0.5 | - | LSB | - |

Table 48.45 A/D conversion characteristics (4) in low power A/D conversion mode (2 of 2)

Conditions: VCC = AVCC0 = 2.7 to 5.5 V, VREFH0 = 2.7 to 5.5 V
Reference voltage range applied to the VREFH0 and VREFL0.

| Parameter | Min | Typ | Max | Unit | Test conditions |
|-------------------------------------------------------|------------------------------------------------------------|-------|-------|------|---------------------------------------------------------------------|
| Absolute accuracy | | ±1.25 | ±5.0 | LSB | High-precision channel |
| | | | ±8.0 | LSB | Other than above |
| DNL differential nonlinearity error | - | ±1.0 | - | LSB | - |
| INL integral nonlinearity error | - | ±1.0 | ±3.0 | LSB | - |
| 14-bit mode | | | | | |
| Resolution | - | - | 14 | Bit | - |
| Conversion time*1 (Operation at PCLKC = 24 MHz) | Permissible signal source impedance Max. = 1.1 kΩ | 2.50 | - | μs | High-precision channel ADCSR.ADHSC = 1 ADSSTRn.SST[7:0] = 0Dh |
| | | | 3.63 | - | μs |
| Offset error | | ±2.0 | ±18 | LSB | High-precision channel |
| | | | ±24.0 | LSB | Other than above |
| Full-scale error | | ±3.0 | ±18 | LSB | High-precision channel |
| | | | ±24.0 | LSB | Other than above |
| Quantization error | - | ±0.5 | - | LSB | - |
| Absolute accuracy | | ±5.0 | ±20 | LSB | High-precision channel |
| | | | ±32.0 | LSB | Other than above |
| DNL differential nonlinearity error | - | ±4.0 | - | LSB | - |
| INL integral nonlinearity error | - | ±4.0 | ±12.0 | LSB | - |

Note: The characteristics apply when no pin functions other than 14-bit A/D converter input are used. Absolute accuracy does not include quantization errors. Offset error, full-scale error, DNL differential nonlinearity error, and INL integral nonlinearity error do not include quantization errors.

Note 1. The conversion time is the sum of the sampling time and the comparison time. The number of sampling states is indicated for the test conditions.

Note 2. Except for I/O input capacitance (C_{in}), see [section 48.2.4, I/O V_{OH}, V_{OL}, and Other Characteristics](#).

Table 48.46 A/D conversion characteristics (5) in low power A/D conversion mode (1 of 2)

Conditions: VCC = AVCC0 = 2.4 to 5.5 V, VREFH0 = 2.4 to 5.5 V
Reference voltage range applied to the VREFH0 and VREFL0.

| Parameter | Min | Typ | Max | Unit | Test conditions |
|-------------------------------------------------------|---------------------------------------------------------|------|----------------------|------|---------------------------------------------------------------------|
| Frequency | 1 | - | 16 | MHz | - |
| Analog input capacitance*2 | Cs | | 8 (reference data) | pF | High-precision channel |
| | | | 9 (reference data) | pF | Normal-precision channel |
| Analog input resistance | Rs | | 2.5 (reference data) | kΩ | High-precision channel |
| | | | 6.7 (reference data) | kΩ | Normal-precision channel |
| Analog input voltage range | Ain | 0 | VREFH0 | V | - |
| 12-bit mode | | | | | |
| Resolution | - | - | 12 | Bit | - |
| Conversion time*1 (Operation at PCLKC = 16 MHz) | Permissible signal source impedance Max. = 2.2 kΩ | 3.38 | - | μs | High-precision channel ADCSR.ADHSC = 1 ADSSTRn.SST[7:0] = 0Dh |
| | | | 5.06 | - | μs |
| Offset error | | ±0.5 | ±4.5 | LSB | High-precision channel |
| | | | ±6.0 | LSB | Other than above |

Table 48.46 A/D conversion characteristics (5) in low power A/D conversion mode (2 of 2)

Conditions: VCC = AVCC0 = 2.4 to 5.5 V, VREFH0 = 2.4 to 5.5 V
Reference voltage range applied to the VREFH0 and VREFL0.

| Parameter | | Min | Typ | Max | Unit | Test conditions |
|-------------------------------------------------------|---------------------------------------------------------|------|-------|-------|------|-----------------------------------------------------------------------|
| Full-scale error | | - | ±0.75 | ±4.5 | LSB | High-precision channel |
| | | | | ±6.0 | LSB | Other than above |
| Quantization error | | - | ±0.5 | - | LSB | - |
| Absolute accuracy | | - | ±1.25 | ±5.0 | LSB | High-precision channel |
| | | | | ±8.0 | LSB | Other than above |
| DNL differential nonlinearity error | | - | ±1.0 | - | LSB | - |
| INL integral nonlinearity error | | - | ±1.0 | ±3.0 | LSB | - |
| 14-bit mode | | | | | | |
| Resolution | | - | - | 14 | Bit | - |
| Conversion time*1 (Operation at PCLKC = 16 MHz) | Permissible signal source impedance Max. = 2.2 kΩ | 3.75 | - | - | μs | High-precision channel ADCSR.ADHSC = 1 ADSSTRn.SST[7:0] = 0Dh |
| | | | | 5.44 | μs | Normal-precision channel ADCSR.ADHSC = 1 ADSSTRn.SST[7:0] = 28h |
| Offset error | | - | ±2.0 | ±18 | LSB | High-precision channel |
| | | | | ±24.0 | LSB | Other than above |
| Full-scale error | | - | ±3.0 | ±18 | LSB | High-precision channel |
| | | | | ±24.0 | LSB | Other than above |
| Quantization error | | - | ±0.5 | - | LSB | - |
| Absolute accuracy | | - | ±5.0 | ±20 | LSB | High-precision channel |
| | | | | ±32.0 | LSB | Other than above |
| DNL differential nonlinearity error | | - | ±4.0 | - | LSB | - |
| INL integral nonlinearity error | | - | ±4.0 | ±12.0 | LSB | - |

Note: The characteristics apply when no pin functions other than 14-bit A/D converter input are used. Absolute accuracy does not include quantization errors. Offset error, full-scale error, DNL differential nonlinearity error, and INL integral nonlinearity error do not include quantization errors.

Note 1. The conversion time is the sum of the sampling time and the comparison time. The number of sampling states is indicated for the test conditions.

Note 2. Except for I/O input capacitance (C_{in}), see [section 48.2.4, I/O V_{OH}, V_{OL}, and Other Characteristics](#).

Table 48.47 A/D conversion characteristics (6) in low power A/D conversion mode (1 of 2)

Conditions: VCC = AVCC0 = 1.8 to 5.5 V (AVCC0 = VCC when VCC < 2.0 V), VREFH0 = 1.8 to 5.5 V
Reference voltage range applied to the VREFH0 and VREFL0.

| Parameter | | Min | Typ | Max | Unit | Test conditions |
|------------------------------------------------------|----------------------------------------------------------|------|-----|----------------------|------|-----------------------------------------------------------------------|
| Frequency | | 1 | - | 8 | MHz | - |
| Analog input capacitance*2 | Cs | - | - | 8 (reference data) | pF | High-precision channel |
| | | | | 9 (reference data) | pF | Normal-precision channel |
| Analog input resistance | Rs | - | - | 3.8 (reference data) | kΩ | High-precision channel |
| | | | | 8.2 (reference data) | kΩ | Normal-precision channel |
| Analog input voltage range | Ain | 0 | - | VREFH0 | V | - |
| 12-bit mode | | | | | | |
| Resolution | | - | - | 12 | Bit | - |
| Conversion time*1 (Operation at PCLKC = 8 MHz) | Permissible signal source impedance Max. = 5 kΩ | 6.75 | - | - | μs | High-precision channel ADCSR.ADHSC = 1 ADSSTRn.SST[7:0] = 0Dh |
| | | | | 10.13 | μs | Normal-precision channel ADCSR.ADHSC = 1 ADSSTRn.SST[7:0] = 28h |

Table 48.47 A/D conversion characteristics (6) in low power A/D conversion mode (2 of 2)

Conditions: $V_{CC} = AV_{CC0} = 1.8$ to 5.5 V ($AV_{CC0} = V_{CC}$ when $V_{CC} < 2.0$ V), $V_{REFH0} = 1.8$ to 5.5 V
Reference voltage range applied to the V_{REFH0} and V_{REFL0} .

| Parameter | Min | Typ | Max | Unit | Test conditions | |
|------------------------------------------------------|------------------------------------------------------------------|------------|------------|------|------------------------|-----------------------------------------------------------------------|
| Offset error | | ± 1.0 | ± 7.5 | LSB | High-precision channel | |
| | | | ± 10.0 | LSB | Other than above | |
| Full-scale error | | ± 1.5 | ± 7.5 | LSB | High-precision channel | |
| | | | ± 10.0 | LSB | Other than above | |
| Quantization error | - | ± 0.5 | - | LSB | - | |
| Absolute accuracy | | ± 3.0 | ± 8.0 | LSB | High-precision channel | |
| | | | ± 12.0 | LSB | Other than above | |
| DNL differential nonlinearity error | - | ± 1.0 | - | LSB | - | |
| INL integral nonlinearity error | - | ± 1.0 | ± 3.0 | LSB | - | |
| 14-bit mode | | | | | | |
| Resolution | - | - | 14 | Bit | - | |
| Conversion time*1 (Operation at PCLKC = 8 MHz) | Permissible signal source impedance Max. = 5 k Ω | 7.50 | - | - | μ s | High-precision channel ADCSR.ADHSC = 1 ADSSTRn.SST[7:0] = 0Dh |
| | | 10.88 | - | - | μ s | Normal-precision channel ADCSR.ADHSC = 1 ADSSTRn.SST[7:0] = 28h |
| Offset error | | ± 4.0 | ± 30.0 | LSB | High-precision channel | |
| | | | ± 40.0 | LSB | Other than above | |
| Full-scale error | | ± 6.0 | ± 30.0 | LSB | High-precision channel | |
| | | | ± 40.0 | LSB | Other than above | |
| Quantization error | - | ± 0.5 | - | LSB | - | |
| Absolute accuracy | | ± 12.0 | ± 32.0 | LSB | High-precision channel | |
| | | | ± 48.0 | LSB | Other than above | |
| DNL differential nonlinearity error | - | ± 4.0 | - | LSB | - | |
| INL integral nonlinearity error | - | ± 4.0 | ± 12.0 | LSB | - | |

Note: The characteristics apply when no pin functions other than 14-bit A/D converter input are used. Absolute accuracy does not include quantization errors. Offset error, full-scale error, DNL differential nonlinearity error, and INL integral nonlinearity error do not include quantization errors.

Note 1. The conversion time is the sum of the sampling time and the comparison time. The number of sampling states is indicated for the test conditions.

Note 2. Except for I/O input capacitance (C_{in}), see [section 48.2.4, I/O \$V_{OH}\$, \$V_{OL}\$, and Other Characteristics](#).

Table 48.48 A/D conversion characteristics (7) in low power A/D conversion mode (1 of 2)

Conditions: $V_{CC} = AV_{CC0} = 1.6$ to 5.5 V ($AV_{CC0} = V_{CC}$ when $V_{CC} < 2.0$ V), $V_{REFH0} = 1.6$ to 5.5 V
Reference voltage range applied to the V_{REFH0} and V_{REFL0} .

| Parameter | Min | Typ | Max | Unit | Test conditions |
|----------------------------|-----|-----|-----------------------|------------|--------------------------|
| Frequency | 1 | - | 4 | MHz | - |
| Analog input capacitance*2 | Cs | - | 8 (reference data) | pF | High-precision channel |
| | | - | 9 (reference data) | pF | Normal-precision channel |
| Analog input resistance | Rs | - | 13.1 (reference data) | k Ω | High-precision channel |
| | | - | 14.3 (reference data) | k Ω | Normal-precision channel |
| Analog input voltage range | Ain | 0 | V_{REFH0} | V | - |
| 12-bit mode | | | | | |
| Resolution | - | - | 12 | Bit | - |

Table 48.48 A/D conversion characteristics (7) in low power A/D conversion mode (2 of 2)

Conditions: VCC = AVCC0 = 1.6 to 5.5 V (AVCC0 = VCC when VCC < 2.0 V), VREFH0 = 1.6 to 5.5 V
Reference voltage range applied to the VREFH0 and VREFL0.

| Parameter | | Min | Typ | Max | Unit | Test conditions |
|---------------------------------------------------|---------------------------------------------------|-------|-------|-------|------|-----------------------------------------------------------------------|
| Conversion time*1 (Operation at PCLKC = 4 MHz) | Permissible signal source impedance Max. = 9.9 kΩ | 13.5 | - | - | μs | High-precision channel ADCSR.ADHSC = 1 ADSSTRn.SST[7:0] = 0Dh |
| | | 20.25 | - | - | μs | Normal-precision channel ADCSR.ADHSC = 1 ADSSTRn.SST[7:0] = 28h |
| Offset error | | - | ±1.0 | ±7.5 | LSB | High-precision channel |
| | | | | ±10.0 | LSB | Other than above |
| Full-scale error | | - | ±1.5 | ±7.5 | LSB | High-precision channel |
| | | | | ±10.0 | LSB | Other than above |
| Quantization error | | - | ±0.5 | - | LSB | - |
| Absolute accuracy | | - | ±3.0 | ±8.0 | LSB | High-precision channel |
| | | | | ±12.0 | LSB | Other than above |
| DNL differential nonlinearity error | | - | ±1.0 | - | LSB | - |
| INL integral nonlinearity error | | - | ±1.0 | ±3.0 | LSB | - |
| 14-bit mode | | | | | | |
| Resolution | | - | - | 14 | Bit | - |
| Conversion time*1 (Operation at PCLKC = 4 MHz) | Permissible signal source impedance Max. = 9.9 kΩ | 15.0 | - | - | μs | High-precision channel ADCSR.ADHSC = 1 ADSSTRn.SST[7:0] = 0Dh |
| | | 21.75 | - | - | μs | Normal-precision channel ADCSR.ADHSC = 1 ADSSTRn.SST[7:0] = 28h |
| Offset error | | - | ±4.0 | ±30.0 | LSB | High-precision channel |
| | | | | ±40.0 | LSB | Other than above |
| Full-scale error | | - | ±6.0 | ±30.0 | LSB | High-precision channel |
| | | | | ±40.0 | LSB | Other than above |
| Quantization error | | - | ±0.5 | - | LSB | - |
| Absolute accuracy | | - | ±12.0 | ±32.0 | LSB | High-precision channel |
| | | | | ±48.0 | LSB | Other than above |
| DNL differential nonlinearity error | | - | ±4.0 | - | LSB | - |
| INL integral nonlinearity error | | - | ±4.0 | ±12.0 | LSB | - |

Note: The characteristics apply when no pin functions other than 14-bit A/D converter input are used. Absolute accuracy does not include quantization errors. Offset error, full-scale error, DNL differential nonlinearity error, and INL integral nonlinearity error do not include quantization errors.

Note 1. The conversion time is the sum of the sampling time and the comparison time. The number of sampling states is indicated for the test conditions.

Note 2. Except for I/O input capacitance (C_{in}), see [section 48.2.4, I/O V_{OH}, V_{OL}, and Other Characteristics](#).

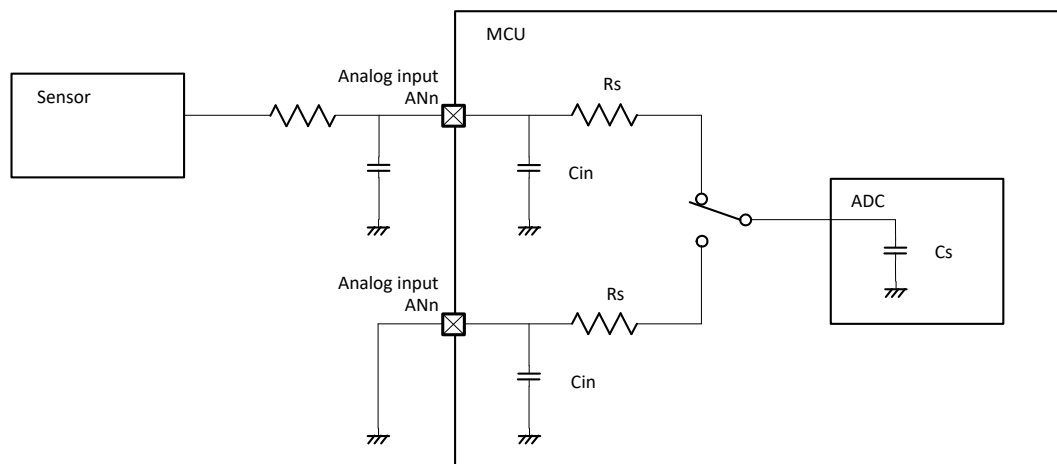


Figure 48.69 Equivalent circuit for analog input

Table 48.49 14-Bit A/D converter channel classification

| Classification | Channel | Conditions | Remarks |
|------------------------------------------|----------------------------|----------------------|-----------------------------------------------------------------------------------------------------------------------------|
| High-precision channel | AN000 to AN014 | AVCC0 = 1.6 to 5.5 V | Pins AN000 to AN014 cannot be used as general I/O, IRQ2, IRQ3 inputs, and TS transmission, when the A/D converter is in use |
| Normal-precision channel | AN016 to AN025 | | |
| Internal reference voltage input channel | Internal reference voltage | AVCC0 = 2.0 to 5.5 V | - |
| Temperature sensor input channel | Temperature sensor output | AVCC0 = 2.0 to 5.5 V | - |

Table 48.50 A/D internal reference voltage characteristics

Conditions: VCC = AVCC0 = VREFH0 = 2.0 to 5.5 V*1

| Parameter | Min | Typ | Max | Unit | Test conditions |
|--------------------------------------------|------|------|------|---------|-----------------|
| Internal reference voltage input channel*2 | 1.36 | 1.43 | 1.50 | V | - |
| Frequency*3 | 1 | - | 2 | MHz | - |
| Sampling time*4 | 5.0 | - | - | μ s | - |

Note 1. The internal reference voltage cannot be selected for input channels when AVCC0 < 2.0 V.

Note 2. The 14-bit A/D internal reference voltage indicates the voltage when the internal reference voltage is input to the 14-bit A/D converter.

Note 3. This is a parameter for ADC14 when the internal reference voltage is used as the high-potential reference voltage.

Note 4. This is a parameter for ADC14 when the internal reference voltage is selected for an analog input channel in ADC14.

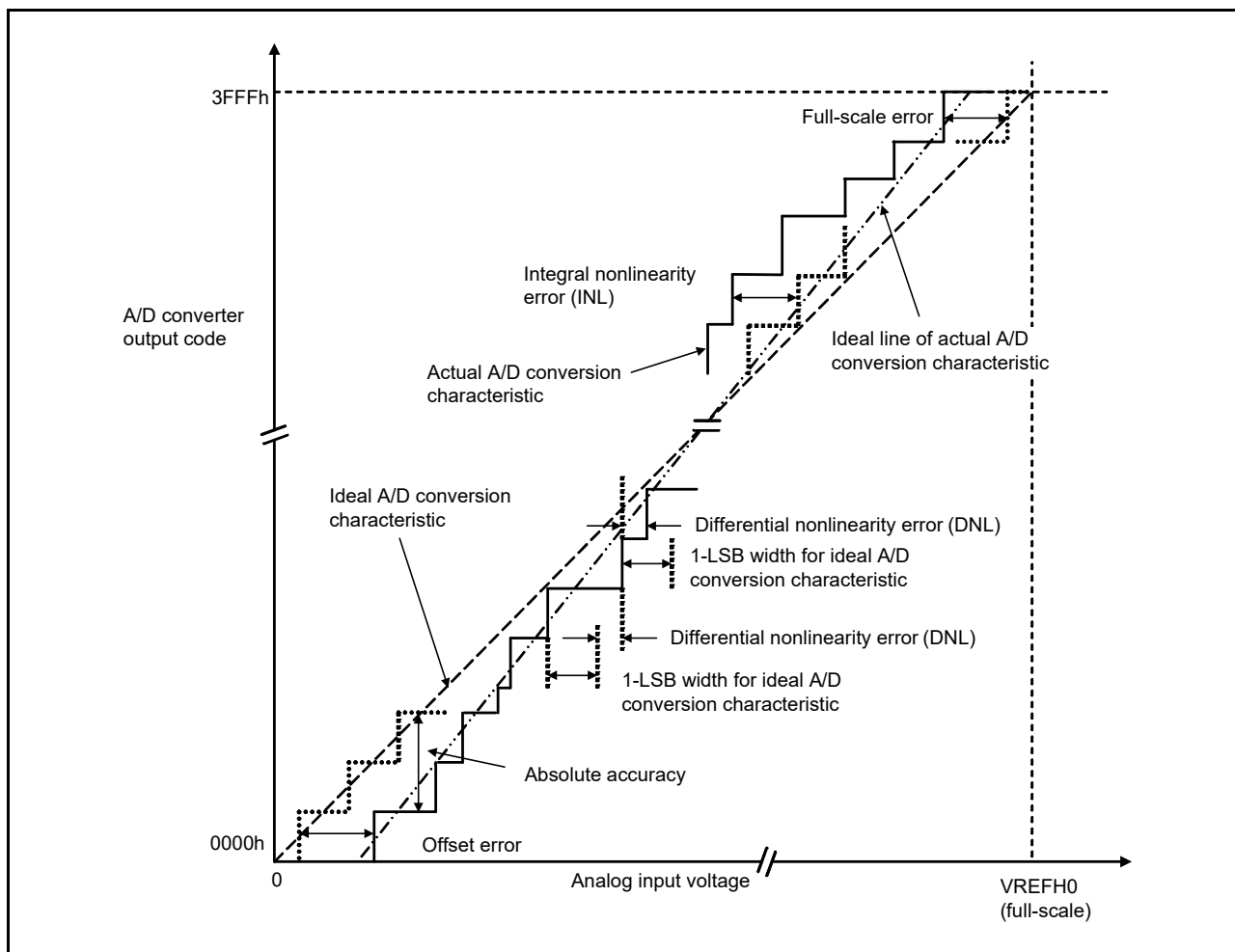


Figure 48.70 Illustration of 14-bit A/D converter characteristic terms

Absolute accuracy

Absolute accuracy is the difference between output code based on the theoretical A/D conversion characteristics, and the actual A/D conversion result. When measuring absolute accuracy, the voltage at the midpoint of the width of analog input voltage (1-LSB width), which can meet the expectation of outputting an equal code based on the theoretical A/D conversion characteristics, is used as the analog input voltage. For example, if 12-bit resolution is used and the reference voltage $V_{REFH0} = 3.072$ V, then 1-LSB width becomes 0.75 mV, and 0 mV, 0.75 mV, and 1.5 mV are used as the analog input voltages. If analog input voltage is 6 mV, an absolute accuracy of ± 5 LSB means that the actual A/D conversion result is in the range of 003h to 00Dh, though an output code of 008h can be expected from the theoretical A/D conversion characteristics.

Integral nonlinearity error (INL)

Integral nonlinearity error is the maximum deviation between the ideal line when the measured offset and full-scale errors are zeroed, and the actual output code.

Differential nonlinearity error (DNL)

Differential nonlinearity error is the difference between 1-LSB width based on the ideal A/D conversion characteristics and the width of the actually output code.

Offset error

Offset error is the difference between the transition point of the ideal first output code and the actual first output code.

Full-scale error

Full-scale error is the difference between the transition point of the ideal last output code and the actual last output code.

48.6 DAC12 Characteristics

Table 48.51 D/A conversion characteristics (1)

Conditions: VCC = AVCC0 = 1.8 to 5.5 V

Reference voltage = VREFH or VREFL selected

| Parameter | Min | Typ | Max | Unit | Test conditions |
|-------------------------------------|------|------|--------------|------|-----------------|
| Resolution | - | - | 12 | bit | - |
| Resistive load | 30 | - | - | kΩ | - |
| Load capacitance | - | - | 50 | pF | - |
| Output voltage range | 0.35 | - | AVCC0 - 0.47 | V | - |
| DNL differential nonlinearity error | - | ±0.5 | ±1.0 | LSB | - |
| INL integral nonlinearity error | - | ±2.0 | ±8.0 | LSB | - |
| Offset error | - | - | ±20 | mV | - |
| Full-scale error | - | - | ±20 | mV | - |
| Output impedance | - | 5 | - | Ω | - |
| Conversion time | - | - | 30 | μs | - |

Table 48.52 D/A conversion characteristics (2)

Conditions: VCC = AVCC0 = 1.8 to 5.5 V

Reference voltage = AVCC0 or AVSS0 selected

| Parameter | Min | Typ | Max | Unit | Test conditions |
|-------------------------------------|------|------|--------------|------|-----------------|
| Resolution | - | - | 12 | bit | - |
| Resistive load | 30 | - | - | kΩ | - |
| Load capacitance | - | - | 50 | pF | - |
| Output voltage range | 0.35 | - | AVCC0 - 0.47 | V | - |
| DNL differential nonlinearity error | - | ±0.5 | ±2.0 | LSB | - |
| INL integral nonlinearity error | - | ±2.0 | ±8.0 | LSB | - |
| Offset error | - | - | ±30 | mV | - |
| Full-scale error | - | - | ±30 | mV | - |
| Output impedance | - | 5 | - | Ω | - |
| Conversion time | - | - | 30 | μs | - |

Table 48.53 D/A conversion characteristics (3)

Conditions: VCC = AVCC0 = 1.8 to 5.5 V

Reference voltage = internal reference voltage selected

| Parameter | Min | Typ | Max | Unit | Test conditions |
|-------------------------------------|------|------|-------|------|-----------------|
| Resolution | - | - | 12 | bit | - |
| Internal reference voltage (Vbgr) | 1.36 | 1.43 | 1.50 | V | - |
| Resistive load | 30 | - | - | kΩ | - |
| Load capacitance | - | - | 50 | pF | - |
| Output voltage range | 0.35 | - | Vbgr | V | - |
| DNL differential nonlinearity error | - | ±2.0 | ±16.0 | LSB | - |
| INL integral nonlinearity error | - | ±8.0 | ±16.0 | LSB | - |
| Offset error | - | - | ±30 | mV | - |
| Output impedance | - | 5 | - | Ω | - |
| Conversion time | - | - | 30 | μs | - |

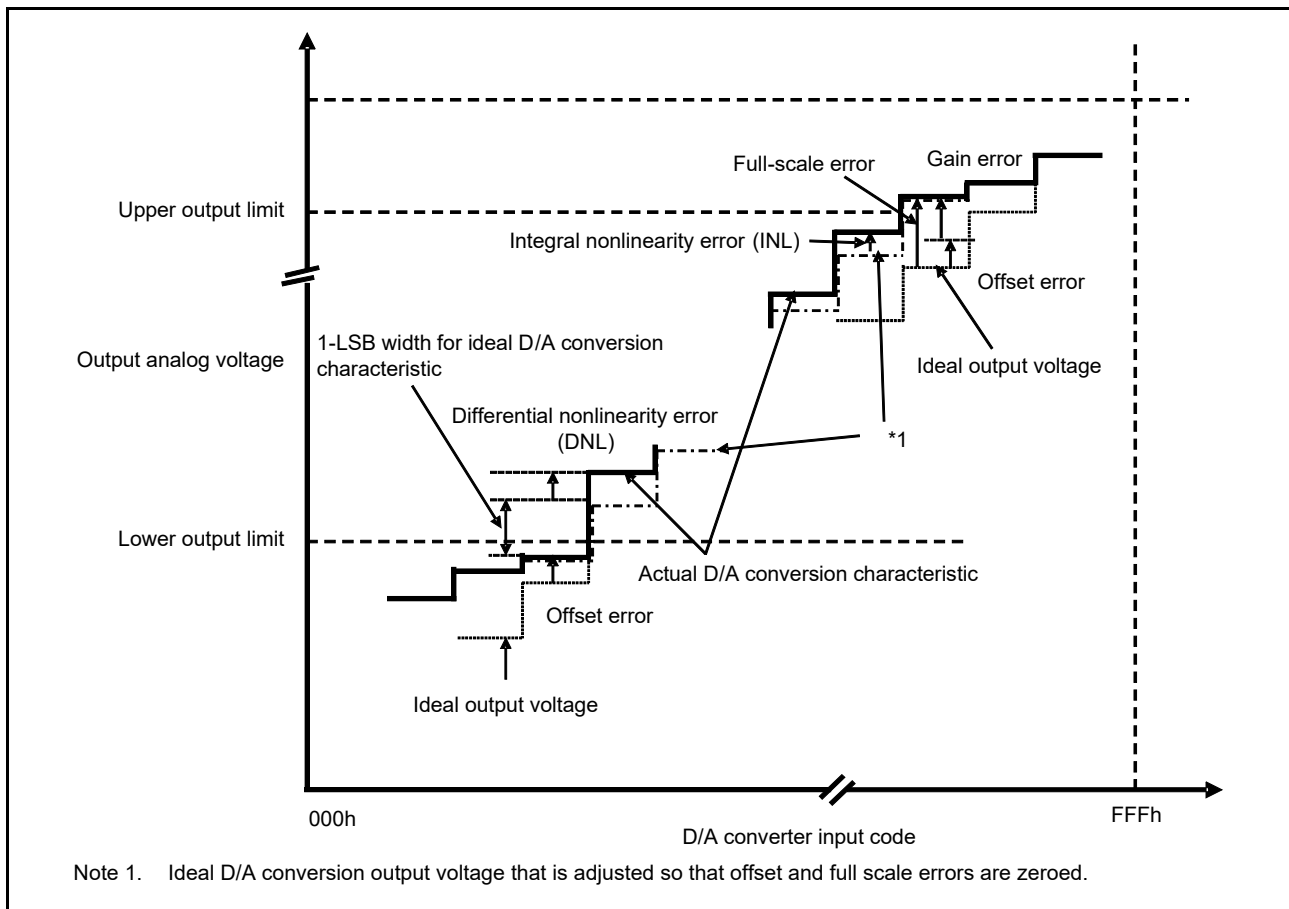


Figure 48.71 Illustration of D/A converter characteristic terms

Integral nonlinearity error (INL)

Integral nonlinearity error is the maximum deviation between the ideal output voltage based on the ideal conversion characteristic when the measured offset and full-scale errors are zeroed, and the actual output voltage.

Differential nonlinearity error (DNL)

Differential nonlinearity error is the difference between 1-LSB voltage width based on the ideal D/A conversion characteristics and the width of the actual output voltage.

Offset error

Offset error is the difference between the highest actual output voltage that falls below the lower output limit and the ideal output voltage based on the input code.

Full-scale error

Full-scale error is the difference between the lowest actual output voltage that exceeds the upper output limit and the ideal output voltage based on the input code.

48.7 TSN Characteristics

Table 48.54 TSN characteristics

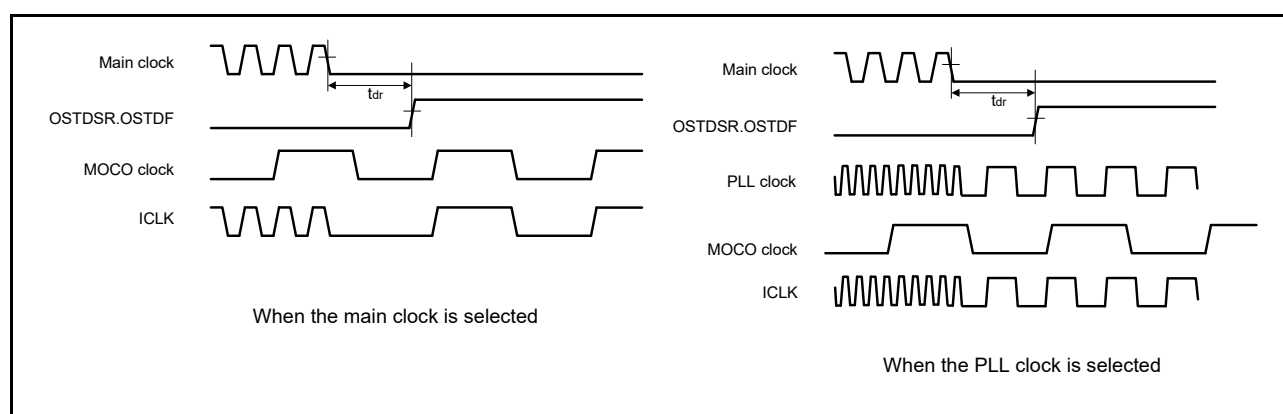
Conditions: VCC = AVCC0 = 2.0 to 5.5 V

| Parameter | Symbol | Min | Typ | Max | Unit | Test conditions |
|-------------------------------|--------------------|-----|-------|-----|-------|-----------------|
| Relative accuracy | - | - | ±1.5 | - | °C | 2.4 V or above |
| | - | - | ±2.0 | - | °C | Below 2.4 V |
| Temperature slope | - | - | -3.65 | - | mV/°C | - |
| Output voltage (at 25°C) | - | - | 1.05 | - | V | VCC = 3.3 V |
| Temperature sensor start time | t _{START} | - | - | 5 | µs | - |
| Sampling time | - | 5 | - | - | µs | - |

48.8 OSC Stop Detect Characteristics

Table 48.55 Oscillation stop detection circuit characteristics

| Parameter | Symbol | Min | Typ | Max | Unit | Test conditions |
|----------------|-----------------|-----|-----|-----|------|-----------------|
| Detection time | t _{dr} | - | - | 1 | ms | Figure 48.72 |

**Figure 48.72 Oscillation stop detection timing**

48.9 POR and LVD Characteristics

Table 48.56 Power-on reset circuit and voltage detection circuit characteristics (1)

| Parameter | | Symbol | Min | Typ | Max | Unit | Test conditions |
|------------------------------------|------------------------------------|---------------|------|------|------|----------------------------------------|----------------------------------------|
| Voltage detection level*1 | Power-on reset (POR) | V_{POR} | 1.27 | 1.42 | 1.57 | V | Figure 48.73, Figure 48.74 |
| | Voltage detection circuit (LVD0)*2 | V_{det0_0} | 3.68 | 3.85 | 4.00 | V | Figure 48.75 At falling edge VCC |
| V_{det0_1} | | 2.68 | 2.85 | 2.96 | | | |
| V_{det0_2} | | 2.38 | 2.53 | 2.64 | | | |
| V_{det0_3} | | 1.78 | 1.90 | 2.02 | | | |
| V_{det0_4} | | 1.60 | 1.69 | 1.82 | | | |
| Voltage detection circuit (LVD1)*3 | V_{det1_0} | 4.13 | 4.29 | 4.45 | V | Figure 48.76 At falling edge VCC | |
| | V_{det1_1} | 3.98 | 4.16 | 4.30 | | | |
| | V_{det1_2} | 3.86 | 4.03 | 4.18 | | | |
| | V_{det1_3} | 3.68 | 3.86 | 4.00 | | | |
| | V_{det1_4} | 2.98 | 3.10 | 3.22 | | | |
| | V_{det1_5} | 2.89 | 3.00 | 3.11 | | | |
| | V_{det1_6} | 2.79 | 2.90 | 3.01 | | | |
| | V_{det1_7} | 2.68 | 2.79 | 2.90 | | | |
| | V_{det1_8} | 2.58 | 2.68 | 2.78 | | | |
| | V_{det1_9} | 2.48 | 2.58 | 2.68 | | | |
| | V_{det1_A} | 2.38 | 2.48 | 2.58 | | | |
| | V_{det1_B} | 2.10 | 2.20 | 2.30 | | | |
| | V_{det1_C} | 1.84 | 1.96 | 2.05 | | | |
| | V_{det1_D} | 1.74 | 1.86 | 1.95 | | | |
| | V_{det1_E} | 1.63 | 1.75 | 1.84 | | | |
| V_{det1_F} | 1.60 | 1.65 | 1.73 | | | | |
| Voltage detection circuit (LVD2)*4 | V_{det2_0} | 4.11 | 4.31 | 4.48 | V | Figure 48.77 At falling edge VCC | |
| | V_{det2_1} | 3.97 | 4.17 | 4.34 | | | |
| | V_{det2_2} | 3.83 | 4.03 | 4.20 | | | |
| | V_{det2_3} | 3.64 | 3.84 | 4.01 | | | |

Note 1. These characteristics apply when noise is not superimposed on the power supply. When a setting causes this voltage detection level to overlap with that of the voltage detection circuit, it cannot be specified whether LVD1 or LVD2 is used for voltage detection.

Note 2. # in the symbol $V_{det0_#}$ denotes the value of the OFS1.VDSEL1[2:0] bits.

Note 3. # in the symbol $V_{det1_#}$ denotes the value of the LVDLVLR.LVD1LVL[4:0] bits.

Note 4. # in the symbol $V_{det2_#}$ denotes the value of the LVDLVLR.LVD2LVL[2:0] bits.

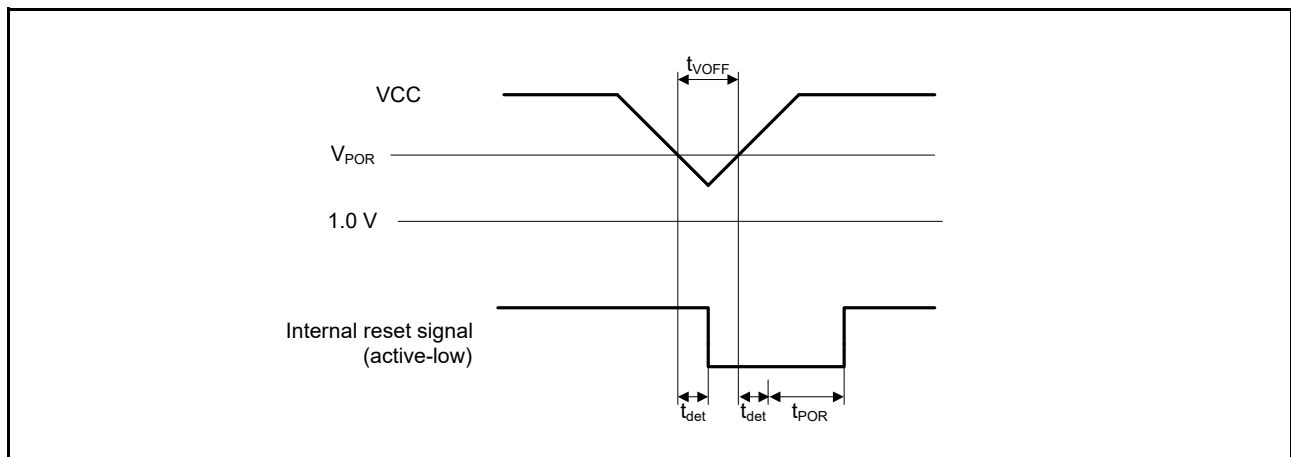
Table 48.57 Power-on reset circuit and voltage detection circuit characteristics (2)

| Parameter | Symbol | Min | Typ | Max | Unit | Test conditions | |
|----------------------------------------------------------|----------------|----------------|-----|-----|---------|------------------------------------------|---|
| Wait time after power-on reset cancellation | LVD0:enable | t_{POR} | - | 1.7 | - | ms | - |
| | LVD0:disable | t_{POR} | - | 1.3 | - | ms | - |
| Wait time after voltage monitor 0,1,2 reset cancellation | LVD0:enable*1 | $t_{LVD0,1,2}$ | - | 0.6 | - | ms | - |
| | LVD0:disable*2 | $t_{LVD1,2}$ | - | 0.2 | - | ms | - |
| Response delay*3 | t_{det} | - | - | 350 | μ s | Figure 48.73, Figure 48.74 | |
| Minimum VCC down time | t_{VOFF} | 450 | - | - | μ s | Figure 48.73, VCC = 1.0 V or above | |
| Power-on reset enable time | t_W (POR) | 1 | - | - | ms | Figure 48.74, VCC = below 1.0 V | |
| LVD operation stabilization time (after LVD is enabled) | T_d (E-A) | - | - | 300 | μ s | Figure 48.76, Figure 48.77 | |
| Hysteresis width (POR) | V_{PORH} | - | 110 | - | mV | - | |
| Hysteresis width (LVD0, LVD1 and LVD2) | V_{LVH} | - | 60 | - | mV | LVD0 selected | |
| | | - | 100 | - | mV | V_{det1_0} to V_{det1_2} selected. | |
| | | - | 60 | - | mV | V_{det1_3} to V_{det1_g} selected. | |
| | | - | 50 | - | mV | V_{det1_A} or V_{det1_B} selected. | |
| | | - | 40 | - | mV | V_{det1_C} or V_{det1_F} selected. | |
| | | - | 60 | - | mV | LVD2 selected | |

Note 1. When OFS1.LVDAS = 0.

Note 2. When OFS1.LVDAS = 1.

Note 3. The minimum VCC down time indicates the time when VCC is below the minimum value of voltage detection levels V_{POR} , V_{det0} , V_{det1} , and V_{det2} for the POR/LVD.

**Figure 48.73 Voltage detection reset timing**

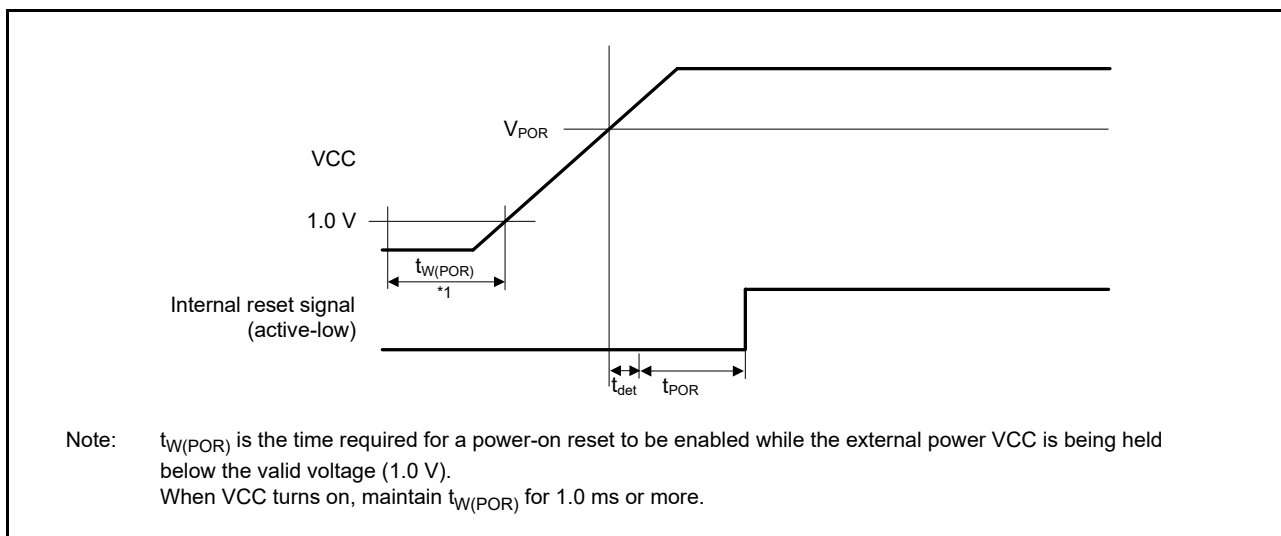


Figure 48.74 Power-on reset timing

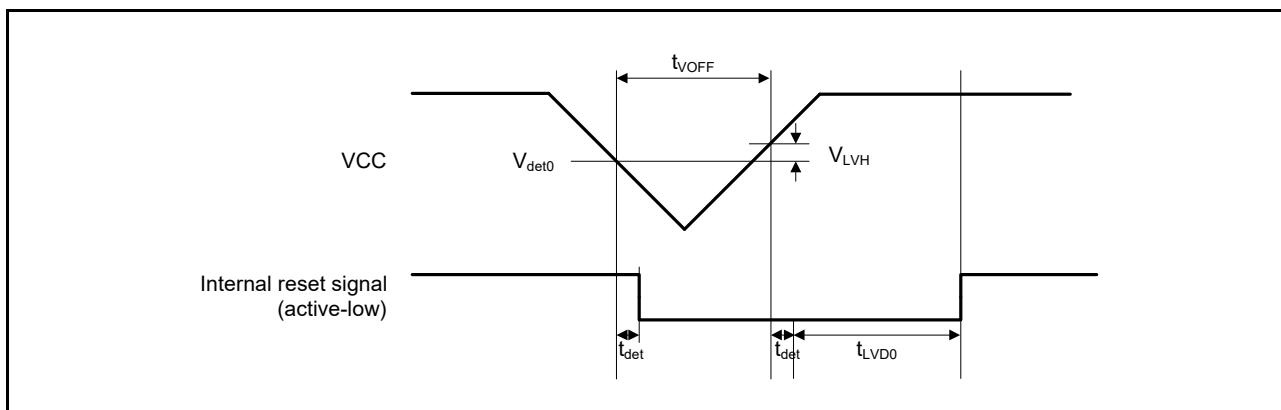


Figure 48.75 Voltage detection circuit timing (V_{det0})

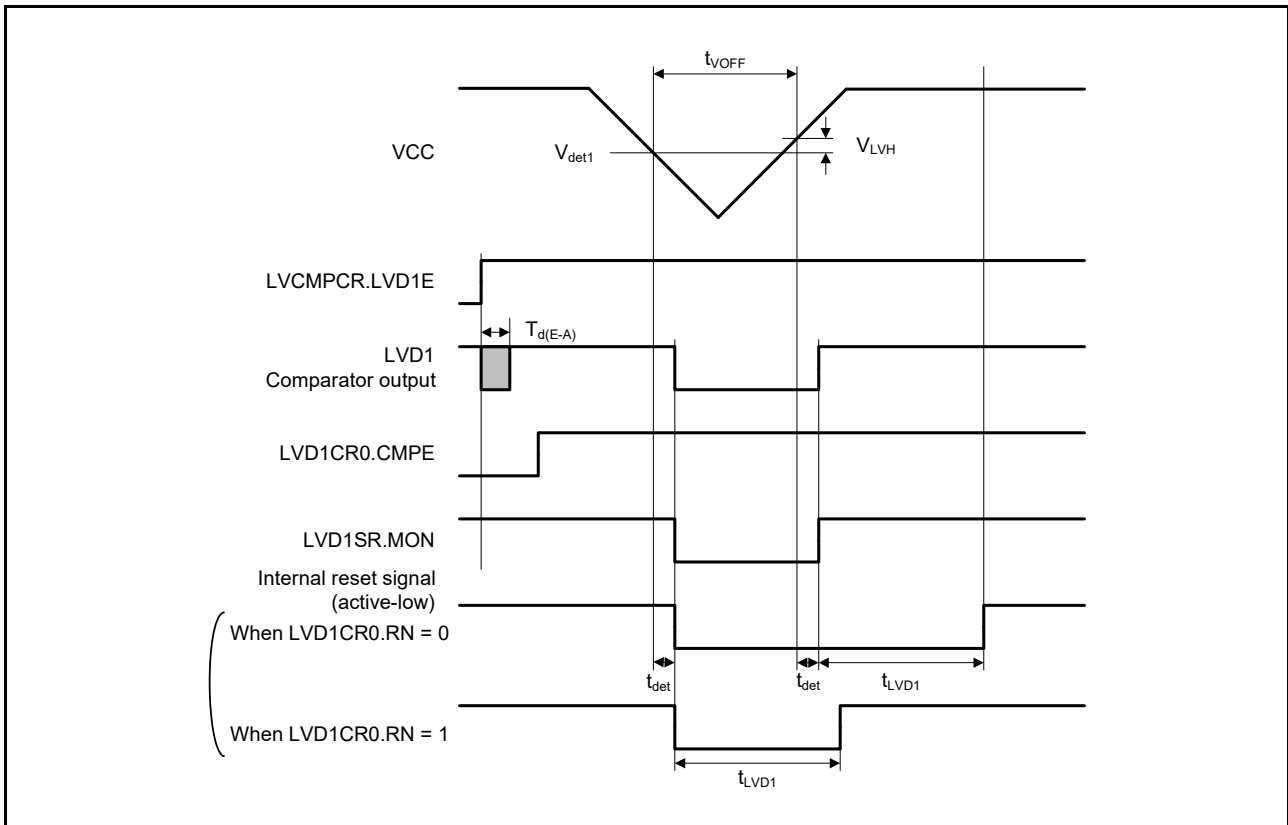


Figure 48.76 Voltage detection circuit timing (V_{det1})

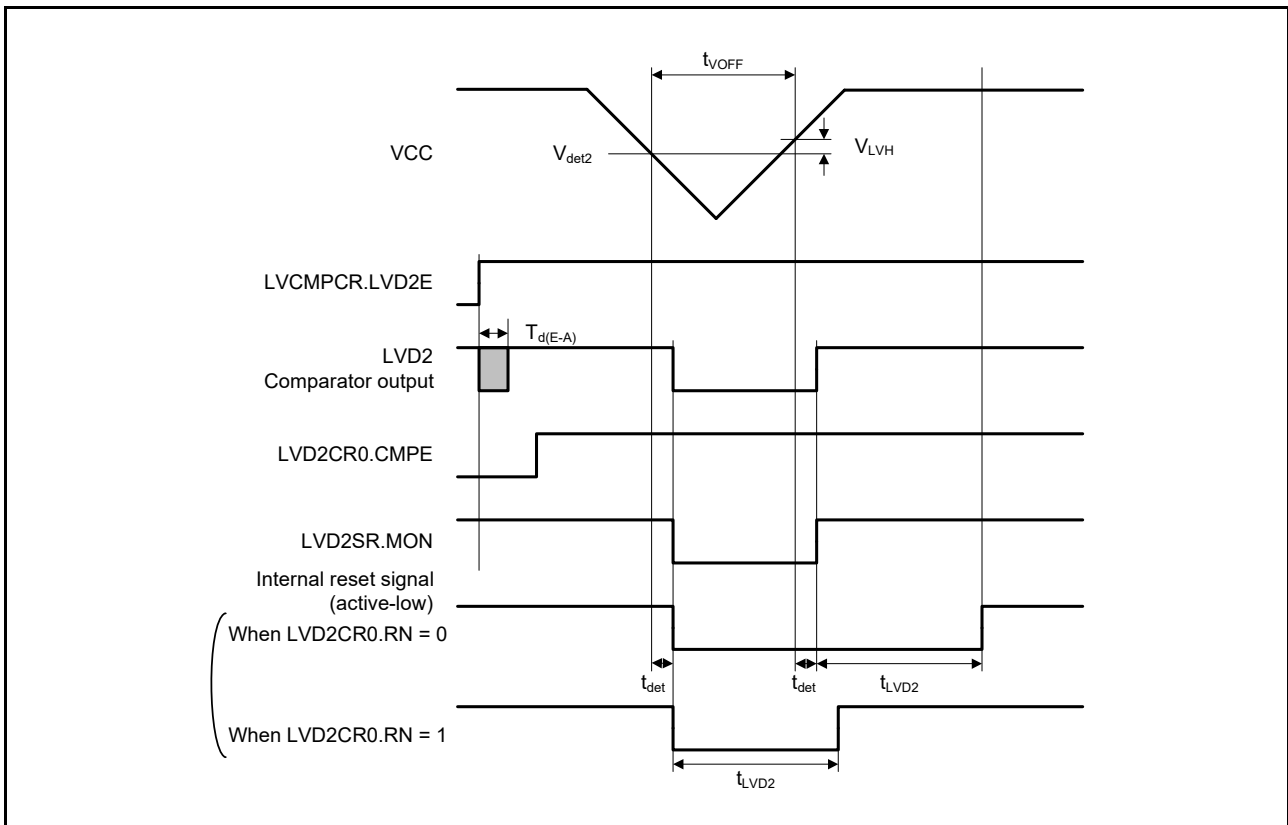


Figure 48.77 Voltage detection circuit timing (V_{det2})

48.10 VBATT Characteristics

Table 48.58 Battery backup function characteristics

Conditions: VCC = AVCC0 = 1.6V to 5.5V, VBATT = 1.6 to 3.6 V

| Parameter | Symbol | Min | Typ | Max | Unit | Test conditions | |
|----------------------------------------------------------------|----------------------|---------------------|------|------|---------------|----------------------------|--------------|
| Voltage level for switching to battery backup (falling) | $V_{DET\ BATT}$ | 1.99 | 2.09 | 2.19 | V | Figure 48.78, Figure 48.79 | |
| Hysteresis width for switching to battery back up | $V_{VBAT\ TH}$ | - | 100 | - | mV | | |
| VCC-off period for starting power supply switching | $t_{V\ OFF\ BATT}$ | 300 | - | - | μs | - | |
| Voltage detection level VBATT_Power-on reset (VBATT_POR) | $V_{VBAT\ POR}$ | 1.30 | 1.40 | 1.50 | V | Figure 48.78, Figure 48.79 | |
| Wait time after VBATT_POR reset time cancellation | $t_{VBAT\ POR}$ | - | - | 3 | mS | - | |
| Level for detection of voltage drop on the VBATT pin (falling) | VBTLVDLVL[1:0] = 10b | $V_{DET\ BAT\ LVD}$ | 2.11 | 2.2 | 2.29 | V | Figure 48.80 |
| | VBTLVDLVL[1:0] = 11b | | 1.92 | 2 | 2.08 | V | |
| Hysteresis width for VBATT pin LVD | $V_{VBAT\ LVD\ TH}$ | - | 50 | - | mV | | |
| VBATT pin LVD operation stabilization time | t_{d_vbat} | - | - | 300 | μs | Figure 48.80 | |
| VBATT pin LVD response delay time | t_{det_vbat} | - | - | 350 | μs | | |
| Allowable voltage change rising/falling gradient | $dt/dVCC$ | 1.0 | - | - | ms/V | - | |
| VCC voltage level for access to the VBATT backup registers | $V_{_BKBATT}$ | 1.8 | - | - | V | - | |

Note: The VCC-off period for starting power supply switching indicates the period in which VCC is below the minimum value of the voltage level for switching to battery backup ($V_{DET\ BATT}$).

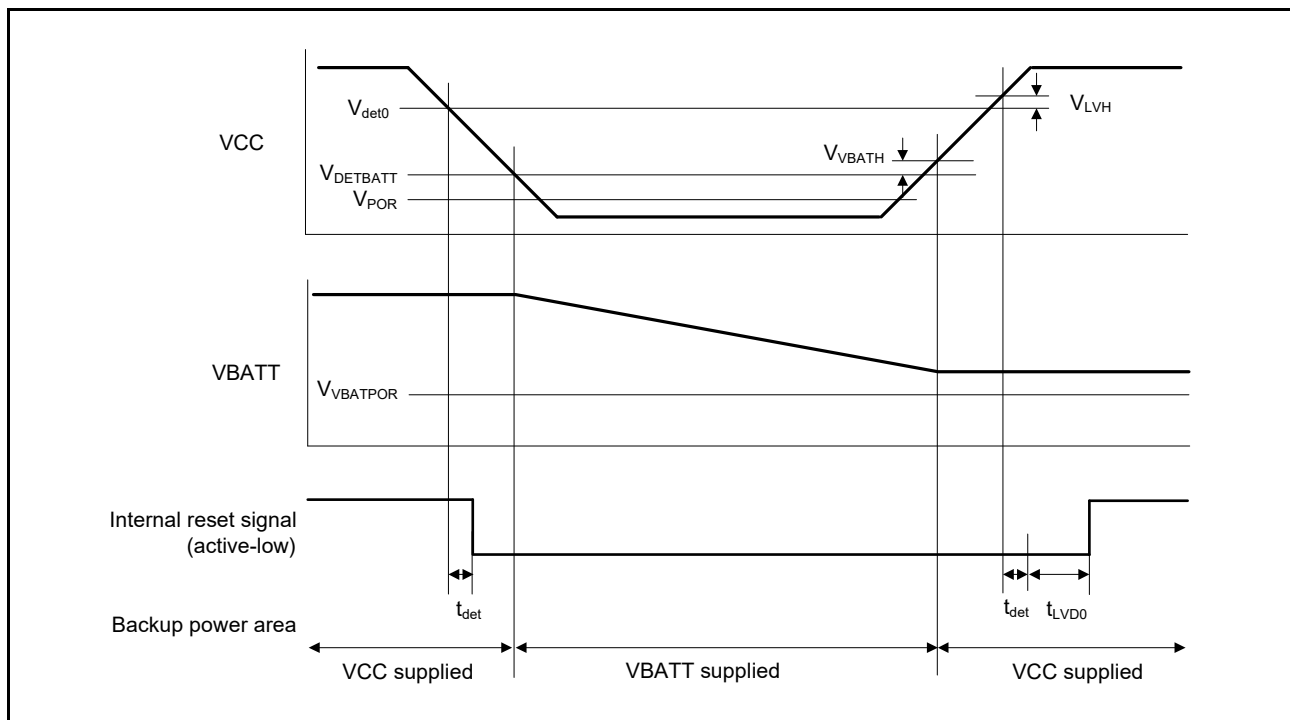


Figure 48.78 Power supply switching and LVD0 reset timing

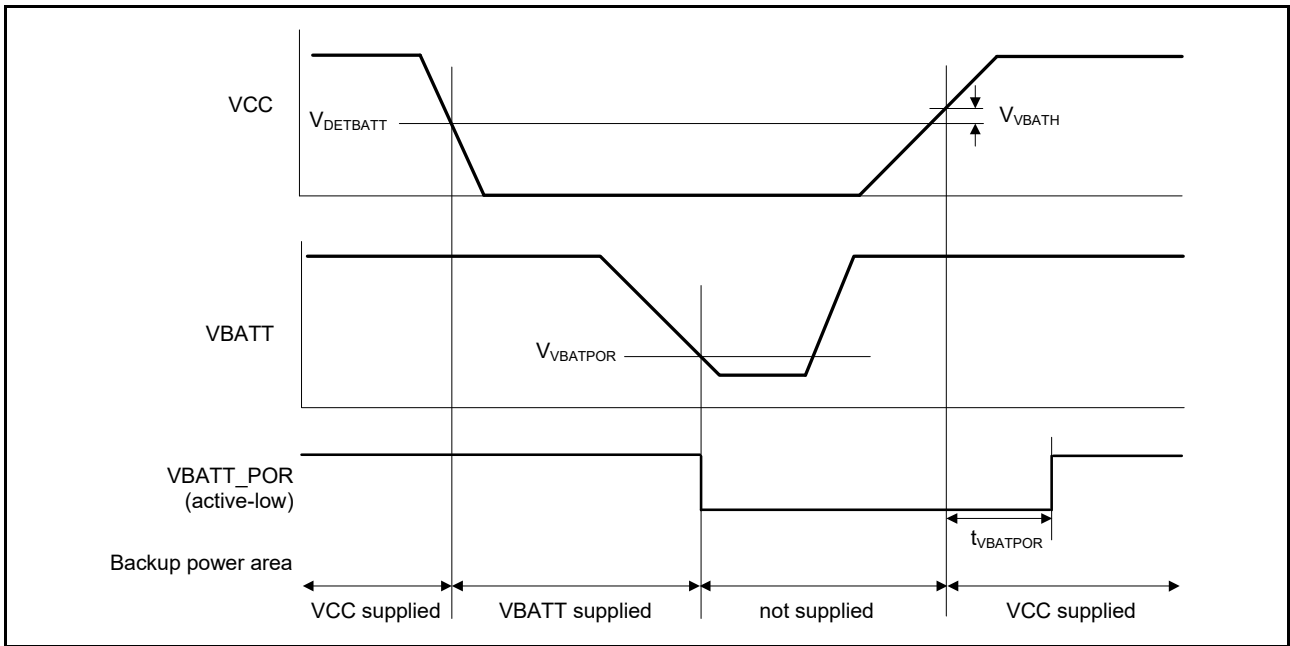


Figure 48.79 VBATT_POR reset timing

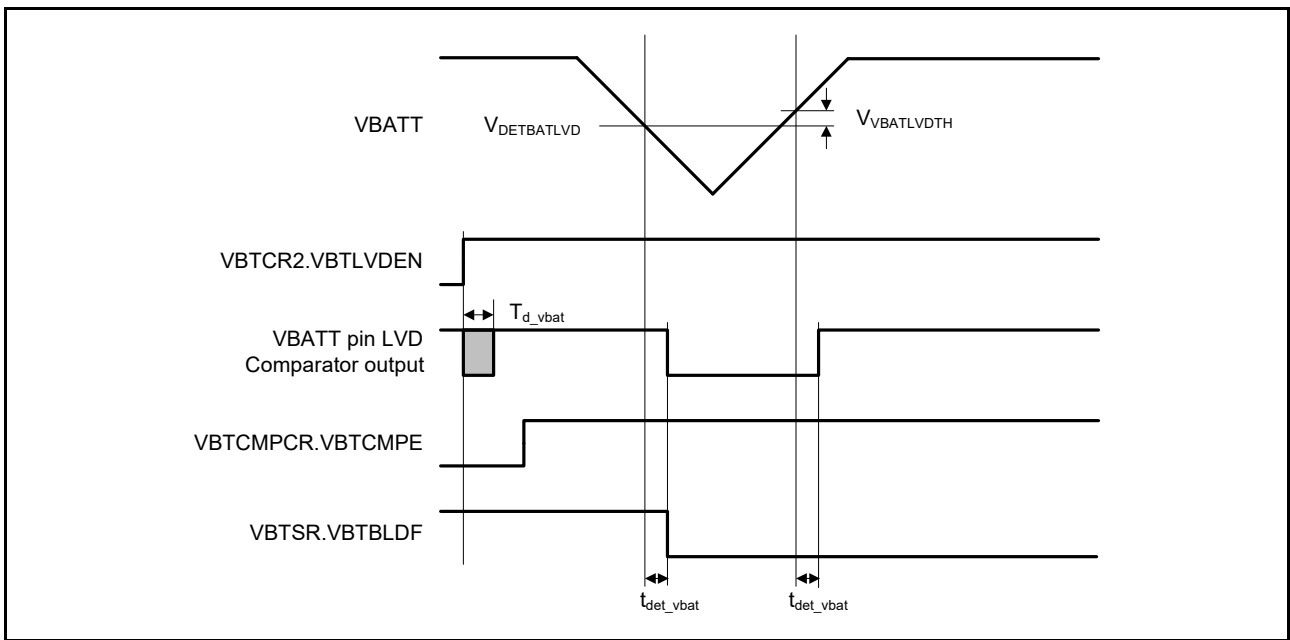


Figure 48.80 VBATT pin voltage detection circuit timing

Table 48.59 VBATT-I/O characteristics

| Parameter | | | Symbol | Min | Typ | Max | Unit | Test conditions |
|---------------------------------------------------|-----------------------------|--------------------------------------|-----------------|-------------------------|-----|-----|------|---------------------------|
| VBATWIO n I/O output characteristics (n = 0 to 2) | VCC > V _{DET} BATT | VCC = 4.0 to 5.5 V | V _{OH} | VCC - 0.8 | - | - | V | I _{OH} = -200 μA |
| | | | V _{OL} | - | - | 0.8 | | I _{OL} = 200 μA |
| | | VCC = 2.7 to 4.0 V | V _{OH} | VCC - 0.5 | - | - | | I _{OH} = -100 μA |
| | | | V _{OL} | - | - | 0.5 | | I _{OL} = 100 μA |
| | | VCC = V _{DET} BATT to 2.7 V | V _{OH} | VCC - 0.3 | - | - | | I _{OH} = -50 μA |
| | | | V _{OL} | - | - | 0.3 | | I _{OL} = 50 μA |
| | VCC < V _{DET} BATT | VBATT = 2.7 to 3.6 V | V _{OH} | V _{BATT} - 0.5 | - | - | | I _{OH} = -100 μA |
| | | | V _{OL} | - | - | 0.5 | | I _{OL} = 100 μA |
| | | VBATT = 1.6 to 2.7 V | V _{OH} | V _{BATT} - 0.3 | - | - | | I _{OH} = -50 μA |
| | | | V _{OL} | - | - | 0.3 | | I _{OL} = 50 μA |

48.11 CTSU Characteristics

Table 48.60 CTSU characteristics

Conditions: VCC = AVCC0 = 1.8 to 5.5 V

| Parameter | Symbol | Min | Typ | Max | Unit | Test conditions |
|---------------------------------------------|--------------------|-----|-----|-----|------|-----------------------------------------------|
| External capacitance connected to TSCAP pin | C _{tscap} | 9 | 10 | 11 | nF | - |
| TS pin capacitive load | C _{base} | - | - | 50 | pF | - |
| Permissible output high current | ΣI _{oH} | - | - | -24 | mA | When the mutual capacitance method is applied |

48.12 Segment LCD Controller Characteristics

48.12.1 Resistance Division Method

[Static Display Mode]

Table 48.61 Resistance division method LCD characteristics (1)

Conditions: $V_{L4} \leq V_{CC} \leq 5.5\text{ V}$

| Parameter | Symbol | Min | Typ | Max | Unit | Test conditions |
|-------------------|----------|-----|-----|-----|------|-----------------|
| LCD drive voltage | V_{L4} | 2.0 | - | VCC | V | - |

[1/2 Bias Method, 1/4 Bias Method]

Table 48.62 Resistance division method LCD characteristics (2)

Conditions: $V_{L4} \leq V_{CC} \leq 5.5\text{ V}$

| Parameter | Symbol | Min | Typ | Max | Unit | Test conditions |
|-------------------|----------|-----|-----|-----|------|-----------------|
| LCD drive voltage | V_{L4} | 2.7 | - | VCC | V | - |

[1/3 Bias Method]

Table 48.63 Resistance division method LCD characteristics (3)

Conditions: $V_{L4} \leq V_{CC} \leq 5.5\text{ V}$

| Parameter | Symbol | Min | Typ | Max | Unit | Test conditions |
|-------------------|----------|-----|-----|-----|------|-----------------|
| LCD drive voltage | V_{L4} | 2.5 | - | VCC | V | - |

48.12.2 Internal Voltage Boosting Method

[1/3 Bias Method]

Table 48.64 Internal voltage boosting method LCD characteristics

Conditions: $V_{CC} = 1.8\text{ V to }5.5\text{ V}$

| Parameter | Symbol | Conditions | Min | Typ | Max | Unit | Test conditions | |
|--------------------------------------|------------|---------------------------------|--------------------------|-------------------|-------------------|------|-----------------|---|
| LCD output voltage variation range | V_{L1} | C1 to C4*1 = 0.47 μF | VLCD = 04h | 0.90 | 1.0 | 1.08 | V | - |
| | | | VLCD = 05h | 0.95 | 1.05 | 1.13 | V | - |
| | | | VLCD = 06h | 1.00 | 1.10 | 1.18 | V | - |
| | | | VLCD = 07h | 1.05 | 1.15 | 1.23 | V | - |
| | | | VLCD = 08h | 1.10 | 1.20 | 1.28 | V | - |
| | | | VLCD = 09h | 1.15 | 1.25 | 1.33 | V | - |
| | | | VLCD = 0Ah | 1.20 | 1.30 | 1.38 | V | - |
| | | | VLCD = 0Bh | 1.25 | 1.35 | 1.43 | V | - |
| | | | VLCD = 0Ch | 1.30 | 1.40 | 1.48 | V | - |
| | | | VLCD = 0Dh | 1.35 | 1.45 | 1.53 | V | - |
| | | | VLCD = 0Eh | 1.40 | 1.50 | 1.58 | V | - |
| | | | VLCD = 0Fh | 1.45 | 1.55 | 1.63 | V | - |
| | | | VLCD = 10h | 1.50 | 1.60 | 1.68 | V | - |
| | | | VLCD = 11h | 1.55 | 1.65 | 1.73 | V | - |
| VLCD = 12h | 1.60 | 1.70 | 1.78 | V | - | | | |
| VLCD = 13h | 1.65 | 1.75 | 1.83 | V | - | | | |
| Doubler output voltage | V_{L2} | C1 to C4*1 = 0.47 μF | $2 \times V_{L1} - 0.1$ | $2 \times V_{L1}$ | $2 \times V_{L1}$ | V | - | |
| Tripler output voltage | V_{L4} | C1 to C4*1 = 0.47 μF | $3 \times V_{L1} - 0.15$ | $3 \times V_{L1}$ | $3 \times V_{L1}$ | V | - | |
| Reference voltage setup time*2 | t_{VL1S} | | 5 | - | - | ms | Figure 48.81 | |
| LCD output voltage variation range*3 | t_{VLWT} | C1 to C4*1 = 0.47 μF | 500 | - | - | ms | | |

Note 1. This is a capacitor that is connected between voltage pins used to drive the LCD.

C1: A capacitor connected between CAPH and CAPL
 C2: A capacitor connected between VL1 and GND
 C3: A capacitor connected between VL2 and GND
 C4: A capacitor connected between VL4 and GND
 C1 = C2 = C3 = C4 = 0.47 μ F \pm 30%.

Note 2. This is the time required to wait from when the reference voltage is specified using the VLCD register (or when the internal voltage boosting method is selected (by setting the MDSET[1:0] bits in the LCDM0 register to 01b) if the default value reference voltage is used) until voltage boosting starts (VLCON = 1).

Note 3. This is the wait time from when voltage boosting is started (VLCON = 1) until display is enabled (LCDON = 1).

[1/4 Bias Method]

Table 48.65 Internal voltage boosting method LCD characteristics

Conditions: VCC = 1.8 V to 5.5 V

| Parameter | Symbol | Conditions | Min | Typ | Max | Unit | Test conditions | |
|--------------------------------------|--------------------|---------------------------|-------------------------|------------------|------------------|------|-----------------|---|
| LCD output voltage variation range | V _{L1} | C1 to C5*1 = 0.47 μ F | VLCD = 04h | 0.90 | 1.0 | 1.08 | V | - |
| | | | VLCD = 05h | 0.95 | 1.05 | 1.13 | V | - |
| | | | VLCD = 06h | 1.00 | 1.10 | 1.18 | V | - |
| | | | VLCD = 07h | 1.05 | 1.15 | 1.23 | V | - |
| | | | VLCD = 08h | 1.10 | 1.20 | 1.28 | V | - |
| | | | VLCD = 09h | 1.15 | 1.25 | 1.33 | V | - |
| | | | VLCD = 0Ah | 1.20 | 1.30 | 1.38 | V | - |
| | | | VLCD = 0Bh | 1.25 | 1.35 | 1.43 | V | - |
| | | VLCD = 0Ch | 1.30 | 1.40 | 1.48 | V | - | |
| Doubler output voltage | V _{L2} | C1 to C5*1 = 0.47 μ F | 2V _{L1} - 0.08 | 2V _{L1} | 2V _{L1} | V | - | |
| Tripler output voltage | V _{L3} | C1 to C5*1 = 0.47 μ F | 3V _{L1} - 0.12 | 3V _{L1} | 3V _{L1} | V | - | |
| Quadruply output voltage | V _{L4} *4 | C1 to C5*1 = 0.47 μ F | 4V _{L1} - 0.16 | 4V _{L1} | 4V _{L1} | V | - | |
| Reference voltage setup time*2 | t _{VL1S} | | 5 | - | - | ms | Figure 48.81 | |
| LCD output voltage variation range*3 | t _{VLWT} | C1 to C5*1 = 0.47 μ F | 500 | - | - | ms | | |

Note 1. This is a capacitor that is connected between voltage pins used to drive the LCD.

C1: A capacitor connected between CAPH and CAPL

C2: A capacitor connected between V_{L1} and GND

C3: A capacitor connected between V_{L2} and GND

C4: A capacitor connected between V_{L3} and GND

C5: A capacitor connected between V_{L4} and GND

C1 = C2 = C3 = C4 = C5 = 0.47 μ F \pm 30%

Note 2. This is the time required to wait from when the reference voltage is specified by using the VLCD register (or when the internal voltage boosting method is selected (by setting the MDSET1 and MDSET0 bits in the LCDM0 register to 01b) if the default value reference voltage is used) until voltage boosting starts (VLCON = 1).

Note 3. This is the wait time from when voltage boosting is started (VLCON = 1) until display is enabled (LCDON = 1).

Note 4. V_{L4} must be 5.5 V or lower.

48.12.3 Capacitor Split Method

[1/3 Bias Method]

Table 48.66 Internal voltage boosting method LCD characteristics

Conditions: VCC = 2.2 V to 5.5 V

| Parameter | Symbol | Conditions | Min | Typ | Max | Unit | Test conditions |
|-----------------------------|-------------------|------------------------------------|----------------------------|---------------------|----------------------------|------|-----------------|
| VL4 voltage*1 | V_{L4} | C1 to C4 = 0.47 μF^{*2} | - | VCC | - | V | - |
| VL2 voltage*1 | V_{L2} | C1 to C4 = 0.47 μF^{*2} | $2/3 \times V_{L4} - 0.07$ | $2/3 \times V_{L4}$ | $2/3 \times V_{L4} + 0.07$ | V | - |
| VL1 voltage*1 | V_{L1} | C1 to C4 = 0.47 μF^{*2} | $1/3 \times V_{L4} - 0.08$ | $1/3 \times V_{L4}$ | $1/3 \times V_{L4} + 0.08$ | V | - |
| Capacitor split wait time*1 | t_{WAIT} | | 100 | - | - | ms | Figure 48.81 |

Note 1. This is the wait time from when voltage bucking is started (VLCON = 1) until display is enabled (LCDON = 1).

Note 2. This is a capacitor that is connected between voltage pins used to drive the LCD.

C1: A capacitor connected between CAPH and CAPL

C2: A capacitor connected between V_{L1} and GND

C3: A capacitor connected between V_{L2} and GND

C4: A capacitor connected between V_{L4} and GND

C1 = C2 = C3 = C4 = 0.47 $\mu\text{F} \pm 30\%$.

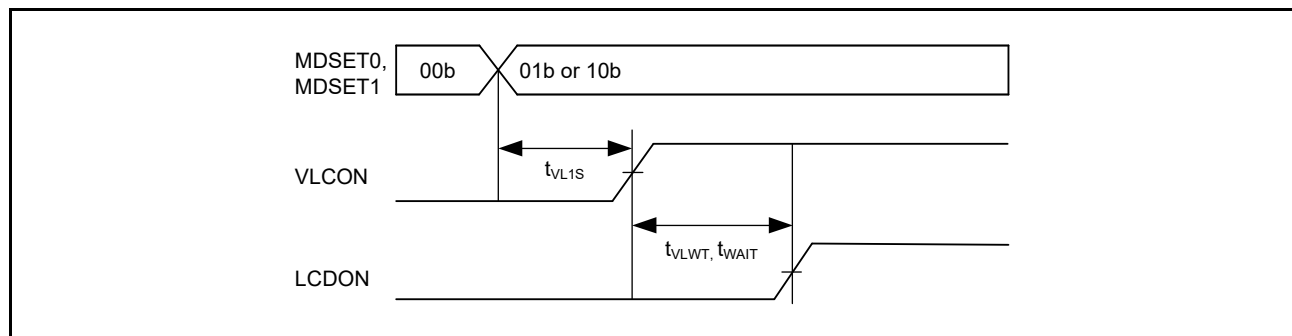


Figure 48.81 LCD reference voltage setup time, voltage boosting wait time, and capacitor split wait time

48.13 Comparator Characteristics

Table 48.67 ACMLP characteristics

Conditions: VCC = 1.8 to 5.5 V

| Parameter | | | Symbol | Min | Typ | Max | Unit | Test conditions |
|-----------------------------------|-----------------|-----------------|------------------|------|------|---------|------|---------------------------------------------------|
| Reference voltage range | Standard mode | IVREFn (n= 0,1) | VREF | 0 | - | VCC-1.4 | V | - |
| | Window mode*2 | IVREF1 | VREFH | 1.4 | - | VCC | V | - |
| | | IVREF0 | VREFL | 0 | - | VCC-1.4 | V | - |
| Input voltage range | | | VI | 0 | - | VCC | V | - |
| Internal reference voltage | | | - | 1.36 | 1.44 | 1.50 | V | - |
| Output delay | High-speed mode | | Td | - | - | 1.2 | μs | VCC = 3.0 Slew rate of input signal > 50 mV/μs |
| | Low-speed mode | | | - | - | 5 | μs | |
| | Window mode | | | - | - | 2 | μs | |
| Offset voltage*1 | High-speed mode | | - | - | - | 50 | mV | - |
| | Low-speed mode | | - | - | - | 40 | mV | - |
| | Window mode | | - | - | - | 60 | mV | - |
| Operation stabilization wait time | | | T _{cmp} | 100 | - | - | μs | - |

Note 1. When 8-bit DAC output is used as the reference voltage, the offset voltage increases up to 2.5 x VCC/256.

Note 2. In window mode, be sure to satisfy the following condition: IVREF1 - IVREF0 ≥ 0.2 V.

48.14 OPAMP Characteristics

Table 48.68 OPAMP characteristics

Conditions: VCC = AVCC0 = 1.8 to 5.5 V (AVCC0 = VCC when VCC < 2.0 V)

| Parameter | Symbol | Conditions | Min | Typ | Max | Unit | |
|------------------------------------|---------|------------------------------------------------------------------------------------------------|-----------------|------|-------------|---------------|------------------------|
| Common mode input range | Vicm1 | Low power mode | 0.2 | - | AVCC0 - 0.5 | V | |
| | Vicm2 | High-speed mode | 0.3 | - | AVCC0 - 0.6 | V | |
| Output voltage range | Vo1 | Low power mode | 0.1 | - | AVCC0 - 0.1 | V | |
| | Vo2 | High-speed mode | 0.1 | - | AVCC0 - 0.1 | V | |
| Input offset voltage | Vioff | 3 σ | -10 | - | 10 | mV | |
| Open gain | Av | | 60 | 120 | - | dB | |
| Gain-bandwidth (GB) product | GBW1 | Low power mode | - | 0.04 | - | MHz | |
| | GBW2 | High-speed mode | - | 1.7 | - | MHz | |
| Phase margin | PM | CL = 20 pF | 50 | - | - | deg | |
| Gain margin | GM | CL = 20 pF | 10 | - | - | dB | |
| Equivalent input noise | Vnoise1 | f = 1 kHz | Low power mode | - | 230 | - | nV/ $\sqrt{\text{Hz}}$ |
| | Vnoise2 | f = 10 kHz | | - | 200 | - | nV/ $\sqrt{\text{Hz}}$ |
| | Vnoise3 | f = 1 kHz | High-speed mode | - | 90 | - | nV/ $\sqrt{\text{Hz}}$ |
| | Vnoise4 | f = 2 kHz | | - | 70 | - | nV/ $\sqrt{\text{Hz}}$ |
| Power supply reduction ratio | PSRR | | - | 90 | - | dB | |
| Common mode signal reduction ratio | CMRR | | - | 90 | - | dB | |
| Stabilization wait time | Tstd1 | CL = 20 pF Only operational amplifier is activated *1 | Low power mode | 650 | - | - | μs |
| | Tstd2 | | High-speed mode | 13 | - | - | μs |
| | Tstd3 | CL = 20 pF Operational amplifier and reference current circuit are activated simultaneously | Low power mode | 650 | - | - | μs |
| | Tstd4 | | High-speed mode | 13 | - | - | μs |
| Settling time | Tset1 | CL = 20 pF | Low power mode | - | - | 750 | μs |
| | Tset2 | | High-speed mode | - | - | 13 | μs |
| Slew rate | Tslew1 | CL = 20 pF | Low power mode | - | 0.02 | - | V/ μs |
| | Tslew2 | | High-speed mode | - | 1.1 | - | V/ μs |
| Load current | Iload1 | Low-power mode | -100 | - | 100 | μA | |
| | Iload2 | High-speed mode | -100 | - | 100 | μA | |
| Load capacitance | CL | | - | - | 20 | pF | |

Note 1. When the operational amplifier reference current circuit is activated in advance.

48.15 Flash Memory Characteristics

48.15.1 Code Flash Memory Characteristics

Table 48.69 Code flash characteristics (1)

| Parameter | Symbol | Min | Typ | Max | Unit | Test conditions |
|-------------------------------|--------------------------------------|------------------|----------|-----|-------|------------------------|
| Reprogramming/erasure cycle*1 | N _{PEC} | 1000 | - | - | Times | - |
| Data hold time | After 1000 times of N _{PEC} | t _{DRP} | 20*2, *3 | - | Year | T _a = +85°C |

Note 1. The reprogram/erase cycle is the number of erasures for each block. When the reprogram/erase cycle is n times (n = 1,000), erasing can be done n times for each block. For instance, when 8-byte programming is performed 256 times for different addresses in 2-KB blocks, and then the entire block is erased, the reprogram/erase cycle is counted as one. However, programming the same address for several times as one erasure is not enabled (overwriting is prohibited).

Note 2. Characteristic when using the flash memory programmer and the self-programming library provided by Renesas Electronics.

Note 3. This result is obtained from reliability testing.

Table 48.70 Code flash characteristics (2)

High-speed operating mode
Conditions: VCC = 2.7 to 5.5 V

| Parameter | Symbol | FCLK = 1 MHz | | | FCLK = 32 MHz | | | Unit | |
|------------------------------------------|-------------------|-------------------|------|------|---------------|------|------|------|----|
| | | Min | Typ | Max | Min | Typ | Max | | |
| Programming time | 8-byte | t _{P8} | - | 116 | 998 | - | 54 | 506 | μs |
| Erasure time | 2-KB | t _{E2K} | - | 9.03 | 287 | - | 5.67 | 222 | ms |
| Blank check time | 8-byte | t _{BC8} | - | - | 56.8 | - | - | 16.6 | μs |
| | 2-KB | t _{BC2K} | - | - | 1899 | - | - | 140 | μs |
| Erase suspended time | t _{SED} | - | - | 22.5 | - | - | 10.7 | μs | |
| Startup area switching setting time | t _{SAS} | - | 21.7 | 585 | - | 12.1 | 447 | ms | |
| Access window time | t _{AWS} | - | 21.7 | 585 | - | 12.1 | 447 | ms | |
| OCD/serial programmer ID setting time | t _{OSIS} | - | 21.7 | 585 | - | 12.1 | 447 | ms | |
| Flash memory mode transition wait time 1 | t _{DIS} | 2 | - | - | 2 | - | - | μs | |
| Flash memory mode transition wait time 2 | t _{MS} | 5 | - | - | 5 | - | - | μs | |

Note: Does not include the time until each operation of the flash memory is started after instructions are executed by software.

Note: The lower-limit frequency of FCLK is 1 MHz during programming or erasing the flash memory. When using FCLK at below 4 MHz, the frequency can be set to 1 MHz, 2 MHz, or 3 MHz. A non-integer frequency such as 1.5 MHz cannot be set.

Note: The frequency accuracy of FCLK must be ±3.5%. Confirm the frequency accuracy of the clock source.

Table 48.71 Code flash characteristics (3)

Middle-speed operating mode

Conditions: VCC = 1.8 to 5.5 V, T_a = -40 to +85°C

| Parameter | Symbol | FCLK = 1 MHz | | | FCLK = 8 MHz | | | Unit | |
|------------------------------------------|--------|-------------------|-----|------|--------------|-----|------|------|----|
| | | Min | Typ | Max | Min | Typ | Max | | |
| Programming time | 8-byte | t _{PG} | - | 157 | 1411 | - | 101 | 966 | μs |
| Erase time | 2-KB | t _{E2K} | - | 9.10 | 289 | - | 6.10 | 228 | ms |
| Blank check time | 8-byte | t _{BC8} | - | - | 87.7 | - | - | 52.5 | μs |
| | 2-KB | t _{BC2K} | - | - | 1930 | - | - | 414 | μs |
| Erase suspended time | | t _{SED} | - | - | 32.7 | - | - | 21.6 | μs |
| Startup area switching setting time | | t _{SAS} | - | 22.5 | 592 | - | 14.0 | 464 | ms |
| Access window time | | t _{AWS} | - | 22.5 | 592 | - | 14.0 | 464 | ms |
| OCD/serial programmer ID setting time | | t _{OSIS} | - | 22.5 | 592 | - | 14.0 | 464 | ms |
| Flash memory mode transition wait time 1 | | t _{DIS} | 2 | - | - | 2 | - | - | μs |
| Flash memory mode transition wait time 2 | | t _{MS} | 720 | - | - | 720 | - | - | ns |

Note: Does not include the time until each operation of the flash memory is started after instructions are executed by software.

Note: The lower-limit frequency of FCLK is 1 MHz during programming or erasing the flash memory. When using FCLK at below 4 MHz, the frequency can be set to 1 MHz, 2 MHz, or 3 MHz. A non-integer frequency such as 1.5 MHz cannot be set.

Note: The frequency accuracy of FCLK must be ±3.5%. Confirm the frequency accuracy of the clock source.

48.15.2 Data Flash Memory Characteristics

Table 48.72 Data flash characteristics (1)

| Parameter | Symbol | Min | Typ | Max | Unit | Test conditions | |
|-----------------------------|--------------------------------------------|-------------------|-----------|---------|-------|-----------------|------------------------|
| Reprogramming/erase cycle*1 | N _{DPEC} | 100,000 | 1,000,000 | - | Times | - | |
| Data hold time | After 10,000 times of N _{DPEC} | t _{DDRP} | 20*2, *3 | - | - | Year | T _a = +85°C |
| | After 100,000 times of N _{DPEC} | | 5*2, *3 | - | - | Year | |
| | After 1,000,000 times of N _{DPEC} | | - | 1*2, *3 | - | - | Year |

Note 1. The reprogram/erase cycle is the number of erasure for each block. When the reprogram/erase cycle is n times (n = 100,000), erasing can be performed n times for each block. For instance, when 1-byte programming is performed 1,000 times for different addresses in 1-byte blocks, and then the entire block is erased, the reprogram/erase cycle is counted as one. However, programming the same address for several times as one erasure is not enabled. Overwriting is prohibited.

Note 2. Characteristics when using the flash memory programmer and the self-programming library provided by Renesas Electronics.

Note 3. These results are obtained from reliability testing.

Table 48.73 Data flash characteristics (2)

High-speed operating mode

Conditions: VCC = 2.7 to 5.5 V

| Parameter | Symbol | FCLK = 4 MHz | | | FCLK = 32 MHz | | | Unit | |
|-------------------------------|--------|--------------------|-----|------|---------------|-----|------|------|----|
| | | Min | Typ | Max | Min | Typ | Max | | |
| Programming time | 1-byte | t _{DP1} | - | 52.4 | 463 | - | 42.1 | 387 | μs |
| Erase time | 1-KB | t _{DE1K} | - | 8.98 | 286 | - | 6.42 | 237 | ms |
| Blank check time | 1-byte | t _{DBC1} | - | - | 24.3 | - | - | 16.6 | μs |
| | 1-KB | t _{DBC1K} | - | - | 1872 | - | - | 512 | μs |
| Suspended time during erasing | | t _{DSED} | - | - | 13.0 | - | - | 10.7 | μs |
| Data flash STOP recovery time | | t _{DSTOP} | 5 | - | - | 5 | - | - | μs |

Note: Does not include the time until each operation of the flash memory is started after instructions are executed by software.

Note: The lower-limit frequency of FCLK is 1 MHz during programming or erasing the flash memory. When using FCLK at below 4 MHz, the frequency can be set to 1 MHz, 2 MHz, or 3 MHz. A non-integer frequency such as 1.5 MHz cannot be set.

Note: The frequency accuracy of FCLK must be ±3.5%. Confirm the frequency accuracy of the clock source.

Table 48.74 Data flash characteristics (3)

Middle-speed operating mode

Conditions: VCC = 1.8 to 5.5 V, T_a = -40 to +85°C

| Parameter | Symbol | FCLK = 4 MHz | | | FCLK = 8 MHz | | | Unit | |
|-------------------------------|--------|--------------------|-----|------|--------------|-----|------|------|----|
| | | Min | Typ | Max | Min | Typ | Max | | |
| Programming time | 1-byte | t _{DP1} | - | 94.7 | 886 | - | 89.3 | 849 | μs |
| Erase time | 1-KB | t _{DE1K} | - | 9.59 | 299 | - | 8.29 | 273 | ms |
| Blank check time | 1-byte | t _{DBC1} | - | - | 56.2 | - | - | 52.5 | μs |
| | 1-KB | t _{DBC1K} | - | - | 2.17 | - | - | 1.51 | ms |
| Suspended time during erasing | | t _{DSER} | - | - | 23.0 | - | - | 21.7 | μs |
| Data flash STOP recovery time | | t _{DSTOP} | 720 | - | - | 720 | - | - | ns |

Note: Does not include the time until each operation of the flash memory is started after instructions are executed by software.

Note: The lower-limit frequency of FCLK is 1 MHz during programming or erasing the flash memory. When using FCLK at below 4 MHz, the frequency can be set to 1 MHz, 2 MHz, or 3 MHz. A non-integer frequency such as 1.5 MHz cannot be set.

Note: The frequency accuracy of FCLK must be ±3.5%. Confirm the frequency accuracy of the clock source.

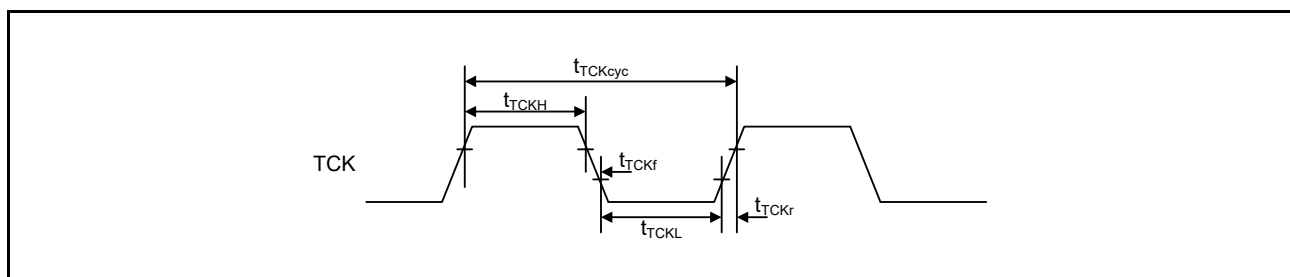
48.16 Boundary Scan

Table 48.75 Boundary scan

Conditions: VCC = AVCC0 = 2.4 to 5.5 V

| Parameter | Symbol | Min | Typ | Max | Unit | Test conditions |
|---------------------------------------|---------------------|--------------------|-----|-----|------|-----------------|
| TCK clock cycle time | t _{TCKcyc} | 100 | - | - | ns | Figure 48.82 |
| TCK clock high pulse width | t _{TCKH} | 45 | - | - | ns | |
| TCK clock low pulse width | t _{TCKL} | 45 | - | - | ns | |
| TCK clock rise time | t _{TCKr} | - | - | 5 | ns | |
| TCK clock fall time | t _{TCKf} | - | - | 5 | ns | |
| TMS setup time | t _{TMSS} | 20 | - | - | ns | Figure 48.83 |
| TMS hold time | t _{TMSH} | 20 | - | - | ns | |
| TDI setup time | t _{TDIS} | 20 | - | - | ns | |
| TDI hold time | t _{TDIH} | 20 | - | - | ns | |
| TDO data delay | t _{TDOD} | - | - | 70 | ns | Figure 48.84 |
| Boundary Scan circuit start up time*1 | t _{BSSTUP} | t _{RESWP} | - | - | - | |

Note 1. Boundary scan does not function until power-on-reset becomes negative.

**Figure 48.82 Boundary scan TCK timing**

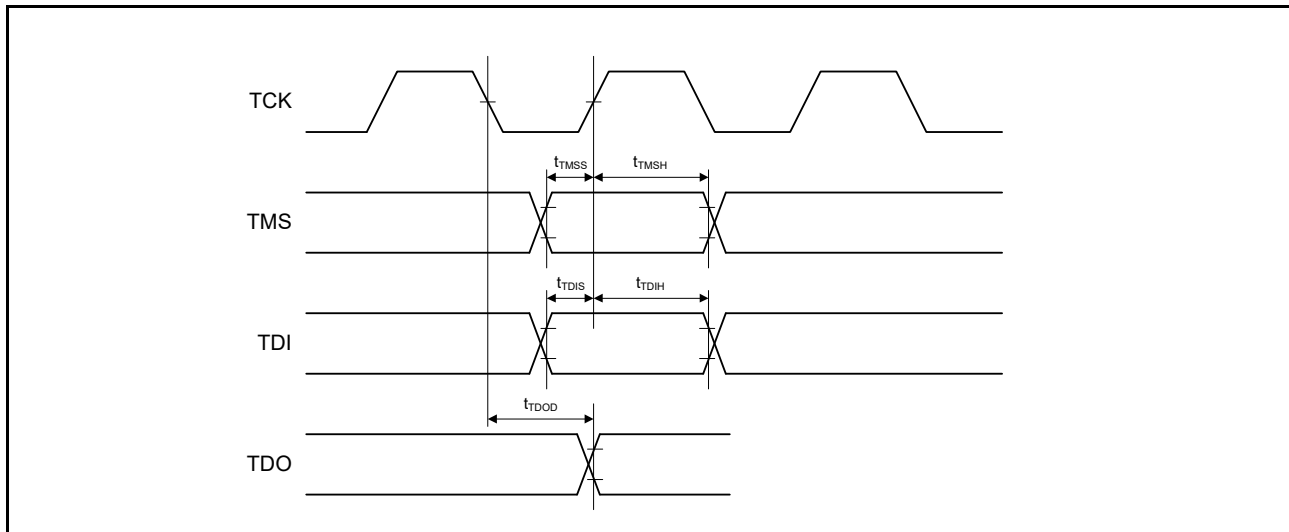


Figure 48.83 Boundary scan input/output timing

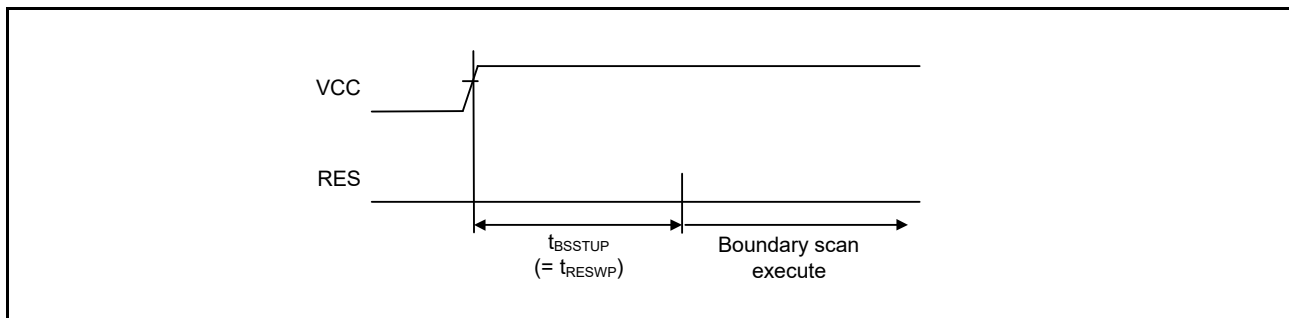


Figure 48.84 Boundary scan circuit start up timing

48.17 Joint Test Action Group (JTAG)

Table 48.76 JTAG (debug) characteristics (1)

Conditions: VCC = 2.4 to 5.5 V

| Parameter | Symbol | Min | Typ | Max | Unit | Test conditions |
|----------------------------|--------------|-----|-----|-----|------|-----------------|
| TCK clock cycle time | t_{TCKcyc} | 80 | - | - | ns | Figure 48.85 |
| TCK clock high pulse width | t_{TCKH} | 35 | - | - | ns | |
| TCK clock low pulse width | t_{TCKL} | 35 | - | - | ns | |
| TCK clock rise time | t_{TCKr} | - | - | 5 | ns | |
| TCK clock fall time | t_{TCKf} | - | - | 5 | ns | |
| TMS setup time | t_{TMSS} | 16 | - | - | ns | Figure 48.86 |
| TMS hold time | t_{TMSh} | 16 | - | - | ns | |
| TDI setup time | t_{TDIS} | 16 | - | - | ns | |
| TDI hold time | t_{TDIH} | 16 | - | - | ns | |
| TDO data delay time | t_{TDOD} | - | - | 70 | ns | |

Table 48.77 JTAG (debug) characteristics (2)

Conditions: VCC = 1.6 to 2.4 V

| Parameter | Symbol | Min | Typ | Max | Unit | Test conditions |
|----------------------------|--------------|-----|-----|-----|------|-----------------|
| TCK clock cycle time | t_{TCKcyc} | 250 | - | - | ns | Figure 48.85 |
| TCK clock high pulse width | t_{TCKH} | 120 | - | - | ns | |
| TCK clock low pulse width | t_{TCKL} | 120 | - | - | ns | |
| TCK clock rise time | t_{TCKr} | - | - | 5 | ns | |
| TCK clock fall time | t_{TCKf} | - | - | 5 | ns | |
| TMS setup time | t_{TMSS} | 50 | - | - | ns | Figure 48.86 |
| TMS hold time | t_{TMSh} | 50 | - | - | ns | |
| TDI setup time | t_{TDis} | 50 | - | - | ns | |
| TDI hold time | t_{TDIH} | 50 | - | - | ns | |
| TDO data delay time | t_{TDOD} | - | - | 150 | ns | |

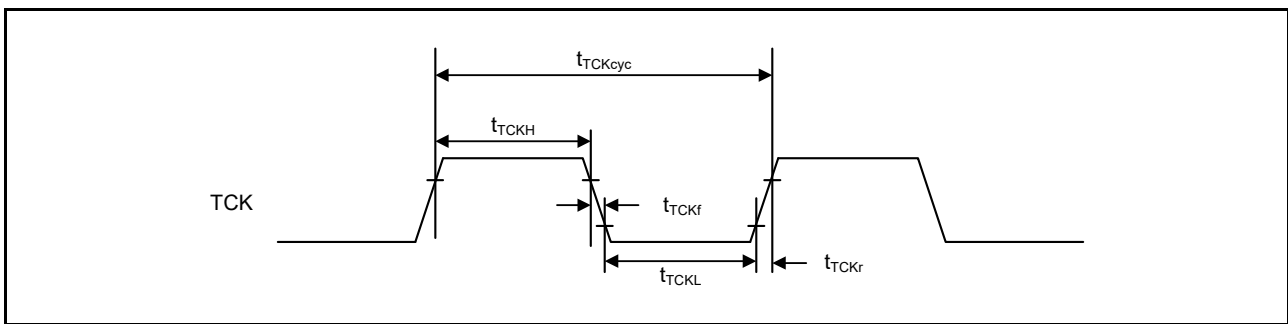


Figure 48.85 JTAG TCK timing

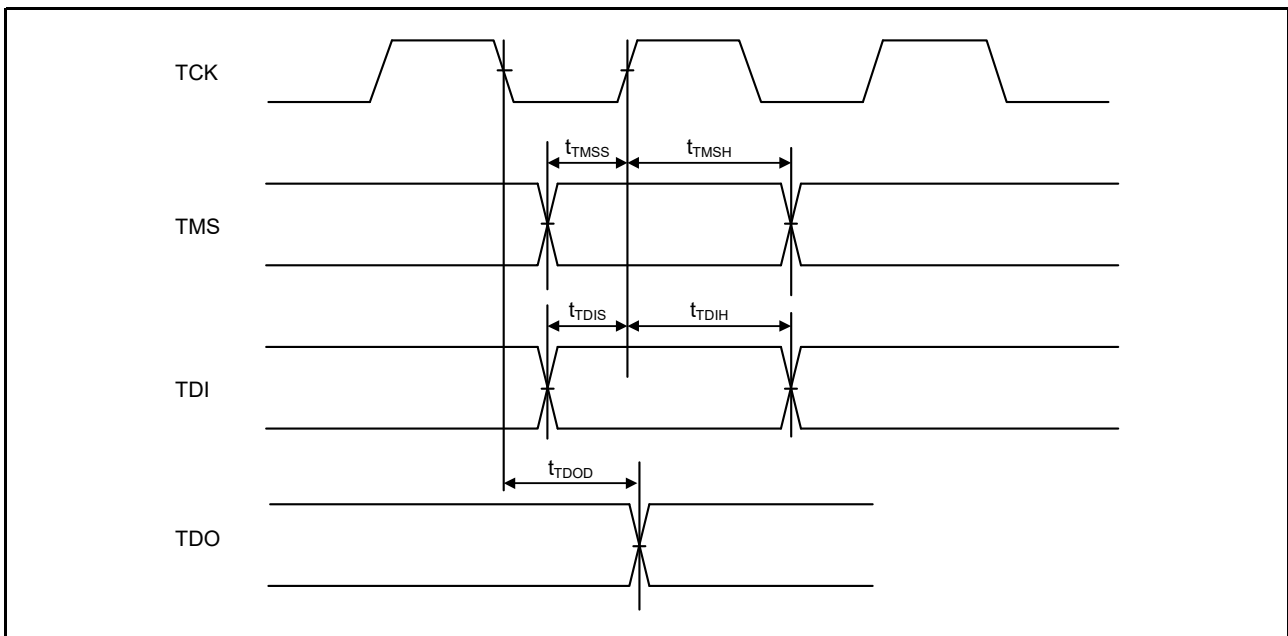


Figure 48.86 JTAG input/output timing

48.17.1 Serial Wire Debug (SWD)

Table 48.78 SWD characteristics (1)

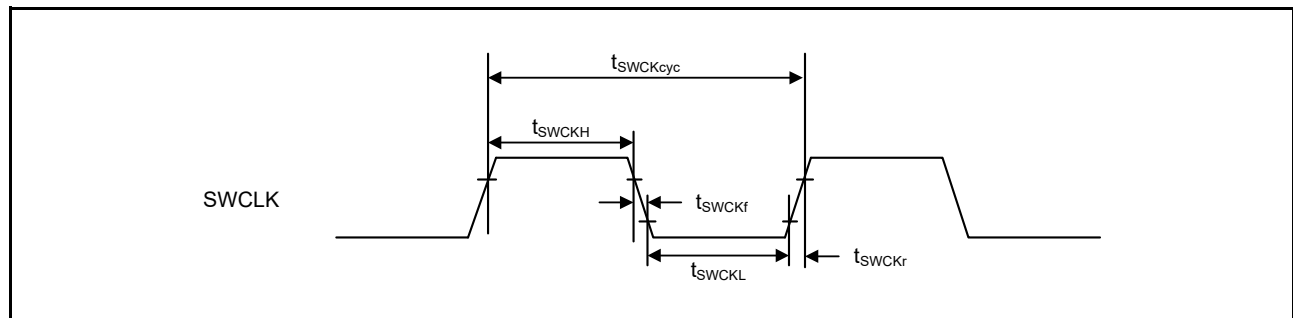
Conditions: VCC = 2.4 to 5.5 V

| Parameter | Symbol | Min | Typ | Max | Unit | Test conditions |
|------------------------------|----------------------|-----|-----|-----|------|-----------------|
| SWCLK clock cycle time | t_{SWCKcyc} | 80 | - | - | ns | Figure 48.87 |
| SWCLK clock high pulse width | t_{SWCKH} | 35 | - | - | ns | |
| SWCLK clock low pulse width | t_{SWCKL} | 35 | - | - | ns | |
| SWCLK clock rise time | t_{SWCKr} | - | - | 5 | ns | |
| SWCLK clock fall time | t_{SWCKf} | - | - | 5 | ns | |
| SWDIO setup time | t_{SWDS} | 16 | - | - | ns | Figure 48.88 |
| SWDIO hold time | t_{SWDH} | 16 | - | - | ns | |
| SWDIO data delay time | t_{SWDD} | 2 | - | 70 | ns | |

Table 48.79 SWD characteristics (2)

Conditions: VCC = 1.6 to 2.4 V

| Parameter | Symbol | Min | Typ | Max | Unit | Test conditions |
|------------------------------|----------------------|-----|-----|-----|------|-----------------|
| SWCLK clock cycle time | t_{SWCKcyc} | 250 | - | - | ns | Figure 48.87 |
| SWCLK clock high pulse width | t_{SWCKH} | 120 | - | - | ns | |
| SWCLK clock low pulse width | t_{SWCKL} | 120 | - | - | ns | |
| SWCLK clock rise time | t_{SWCKr} | - | - | 5 | ns | |
| SWCLK clock fall time | t_{SWCKf} | - | - | 5 | ns | |
| SWDIO setup time | t_{SWDS} | 50 | - | - | ns | Figure 48.88 |
| SWDIO hold time | t_{SWDH} | 50 | - | - | ns | |
| SWDIO data delay time | t_{SWDD} | 2 | - | 150 | ns | |

**Figure 48.87 SWD SWCLK timing**

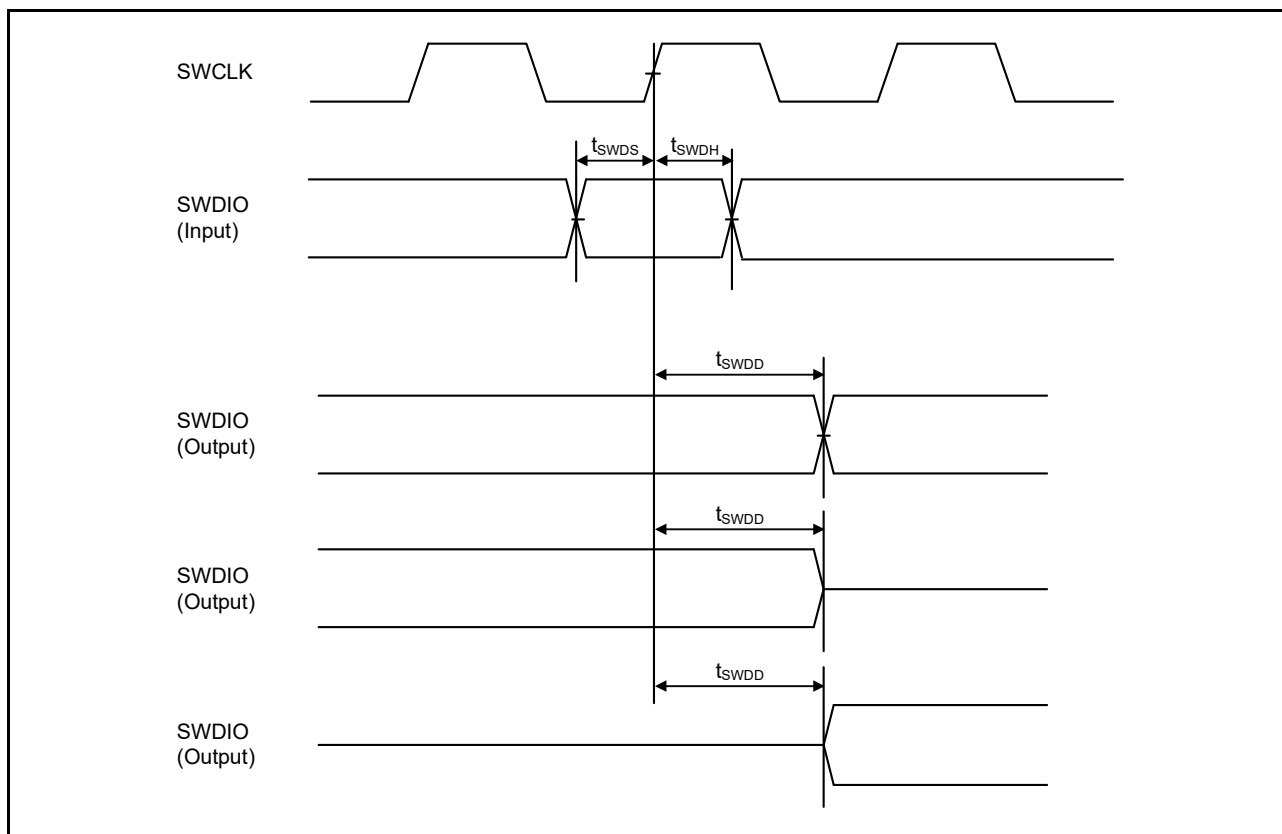


Figure 48.88 SWD input/output timing

Appendix 1. Port States in Each Processing Mode

Table 1.1 Port states in each processing mode (1 of 3)

| Port name | Reset | Software Standby Mode |
|-----------------------------------|------------|-------------------------------------------------------------------------------------|
| P000/IRQ6 | Hi-Z | Keep-O*1 |
| P001/IRQ7 | Hi-Z | Keep-O*1 |
| P002/IRQ2 | Hi-Z | Keep-O*1 |
| P003 | Hi-Z | Keep-O |
| P004/IRQ3 | Hi-Z | Keep-O*1 |
| P005/IRQ10 | Hi-Z | Keep-O*1 |
| P006 | Hi-Z | Keep-O |
| P007 | Hi-Z | Keep-O |
| P008 | Hi-Z | Keep-O |
| P010 | Hi-Z | Keep-O |
| P011/IRQ15 | Hi-Z | Keep-O*1 |
| P012 | Hi-Z | Keep-O |
| P013 | Hi-Z | Keep-O |
| P014/DA0 | Hi-Z | [DA0 output (DAOE0 = 1)] DA output retained [All other (DAOE0 = 0)] Keep-O |
| P015/IRQ7 | Hi-Z | Keep-O*1 |
| P100/RXD0/CMPIN0/KR00/IRQ2/AGTIO0 | Hi-Z | [AGTIO0 selected] AGTIO0 output*2 [All other] Keep-O*1 |
| P101/CMPREF0/KR01/IRQ1 | Hi-Z | Keep-O*1 |
| P102/CMPIN1/KR02/AGTO0 | Hi-Z | [AGTO0 selected] AGTO0 output*2 [All other] Keep-O*1 |
| P103/CMPREF1/KR03 | Hi-Z | Keep-O*1 |
| P104/RXD0/KR04/IRQ1 | Hi-Z | Keep-O*1 |
| P105/KR05/IRQ0 | Hi-Z | Keep-O*1 |
| P106/KR06 | Hi-Z | Keep-O*1 |
| P107/KR07 | Hi-Z | Keep-O*1 |
| P108/TMS | Pull-up | Keep-O |
| P109/TDO/CLKOUT | TDO output | [CLKOUT selected] CLKOUT output [All other] Keep-O |
| P110/IRQ3/TDI/VCOUT | Pull-up | [ACMPLP selected] VCOUT output [All other] Keep-O*1 |
| P111/IRQ4 | Hi-Z | Keep-O*1 |
| P112 | Hi-Z | Keep-O |
| P113 | Hi-Z | Keep-O |
| P114 | Hi-Z | Keep-O |
| P115 | Hi-Z | Keep-O |
| P200/NMI | Hi-Z | Hi-Z |
| P201 | Pull-up | Keep-O |

Table 1.1 Port states in each processing mode (2 of 3)

| Port name | Reset | Software Standby Mode |
|----------------------------------------|---------|---------------------------------------------------------------------------------------------------------------------------------------------|
| P202 | Hi-Z | Keep-O |
| P203 | Hi-Z | Keep-O |
| P204/SCL0/USB_OVRCURB/AGTIO1 | Hi-Z | [AGTIO1 selected] AGTIO1 output* ² [All other] Keep-O* ¹ |
| P205/USB_OVRCURA/IRQ1/CLKOUT/ AGTO1 | Hi-Z | [CLKOUT selected] CLKOUT output [AGTO1 selected] AGTO1 output* ² [All other] Keep-O* ¹ |
| P206/RXD0/IRQ0 | Hi-Z | Keep-O* ¹ |
| P212/IRQ3/EXTAL | Hi-Z | Keep-O* ¹ |
| P213/IRQ2/XTAL | Hi-Z | Keep-O* ¹ |
| P214/XCOUT | Hi-Z | [Sub-clock oscillator selected] Sub-clock oscillator is operating [All other] Hi-Z |
| P215/XCIN | Hi-Z | [Sub-clock oscillator selected] Sub-clock oscillator is operating [All other] Hi-Z |
| P300/TCK | Pull-up | Keep-O |
| P301/IRQ6/AGTIO0 | Hi-Z | [AGTIO0 selected] AGTIO0 output* ² [All other] Keep-O* ¹ |
| P302/IRQ5 | Hi-Z | Keep-O* ¹ |
| P303 | Hi-Z | Keep-O |
| P304/IRQ9 | Hi-Z | Keep-O* ¹ |
| P305/IRQ8 | Hi-Z | Keep-O* ¹ |
| P306 | Hi-Z | Keep-O |
| P307 | Hi-Z | Keep-O |
| P400/SCL0/IRQ0/AGTIO1 | Hi-Z | [AGTIO1 selected] AGTIO1 output* ² [All other] Keep-O* ¹ |
| P401/SDA0/IRQ5 | Hi-Z | Keep-O* ¹ |
| P402/RTCIC0/IRQ4/AGTIO0/AGTIO1 | Hi-Z | [AGTIO0 selected] AGTIO0 output* ² [AGTIO1 selected] AGTIO1 output* ² [All other] Keep-O* ¹ |
| P403/RTCIC1/AGTIO0/AGTIO1 | Hi-Z | [AGTIO0 selected] AGTIO0 output* ² [AGTIO1 selected] AGTIO1 output* ² [All other] Keep-O* ¹ |
| P404/RTCIC2 | Hi-Z | Keep-O* ¹ |
| P405 | Hi-Z | Keep-O |
| P406 | Hi-Z | Keep-O |

Table 1.1 Port states in each processing mode (3 of 3)

| Port name | Reset | Software Standby Mode |
|------------------------------------------|-------|-----------------------------------------------------------------------------------------------------|
| P407/SDA0/USB_VBUS/RTCOU/AGTIO0 | Hi-Z | [RTCOU selected] RTCOU output [AGTIO0 selected] AGTIO0 output*2 [All other] Keep-O*1 |
| P408/SCL0/IRQ7 | Hi-Z | Keep-O*1 |
| P409/IRQ6 | Hi-Z | Keep-O*1 |
| P410/RXD0/IRQ5/AGTOB1 | Hi-Z | [AGTOB1 selected] AGTOB1 output*2 [All other] Keep-O*1 |
| P411/IRQ4/AGTOA1 | Hi-Z | [AGTOA1 selected] AGTOA1 output*2 [All other] Keep-O*1 |
| P412 | Hi-Z | Keep-O |
| P413 | Hi-Z | Keep-O |
| P414/IRQ9 | Hi-Z | Keep-O*1 |
| P415/IRQ8 | Hi-Z | Keep-O*1 |
| P500/CMPREF1/AGTOA0 | Hi-Z | [AGTOA0 selected] AGTOA0 output*2 [All other] Keep-O*1 |
| P501/CMPIN1/USB_OVRCURA/IRQ11/ AGTOB0 | Hi-Z | [AGTOB0 selected] AGTOB0 output*2 [All other] Keep-O*1 |
| P502/CMPREF0/USB_OVRCURB/IRQ12 | Hi-Z | Keep-O*1 |
| P503/CMPIN0 | Hi-Z | Keep-O*1 |
| P504 | Hi-Z | Keep-O |
| P505/IRQ14 | Hi-Z | Keep-O*1 |
| P600 | Hi-Z | Keep-O |
| P601 | Hi-Z | Keep-O |
| P602 | Hi-Z | Keep-O |
| P603 | Hi-Z | Keep-O |
| P608 | Hi-Z | Keep-O |
| P609 | Hi-Z | Keep-O |
| P610 | Hi-Z | Keep-O |
| P708 | Hi-Z | Keep-O |
| P808 | Hi-Z | Keep-O |
| P809 | Hi-Z | Keep-O |
| P914/USB_DP | Hi-Z | Keep-O |
| P915/USB_DM | Hi-Z | Keep-O |

H: High-level

L: Low-level

Hi-Z: High-impedance

Keep-O: Output pins retain their previous values. Input pins go to high-impedance.

Note: Retains LCD output when the LCD controller/driver pin functions (COM0 to COM7 and SEG00 to SEG24) are set and LOCO or SOSC is selected in the SLCDSCCKR.LCDSCCKSEL[2:0] bit.

Note 1. Input is enabled if the pin is specified as Software Standby canceling source while it is used as an external interrupt pin.

Note 2. AGTIO output is enabled while LOCO or SOSC is selected as a count source.

Appendix 2.Package Dimensions

Information on the latest version of the package dimensions or mountings is shown in “Packages” on the Renesas Electronics Corporation website.

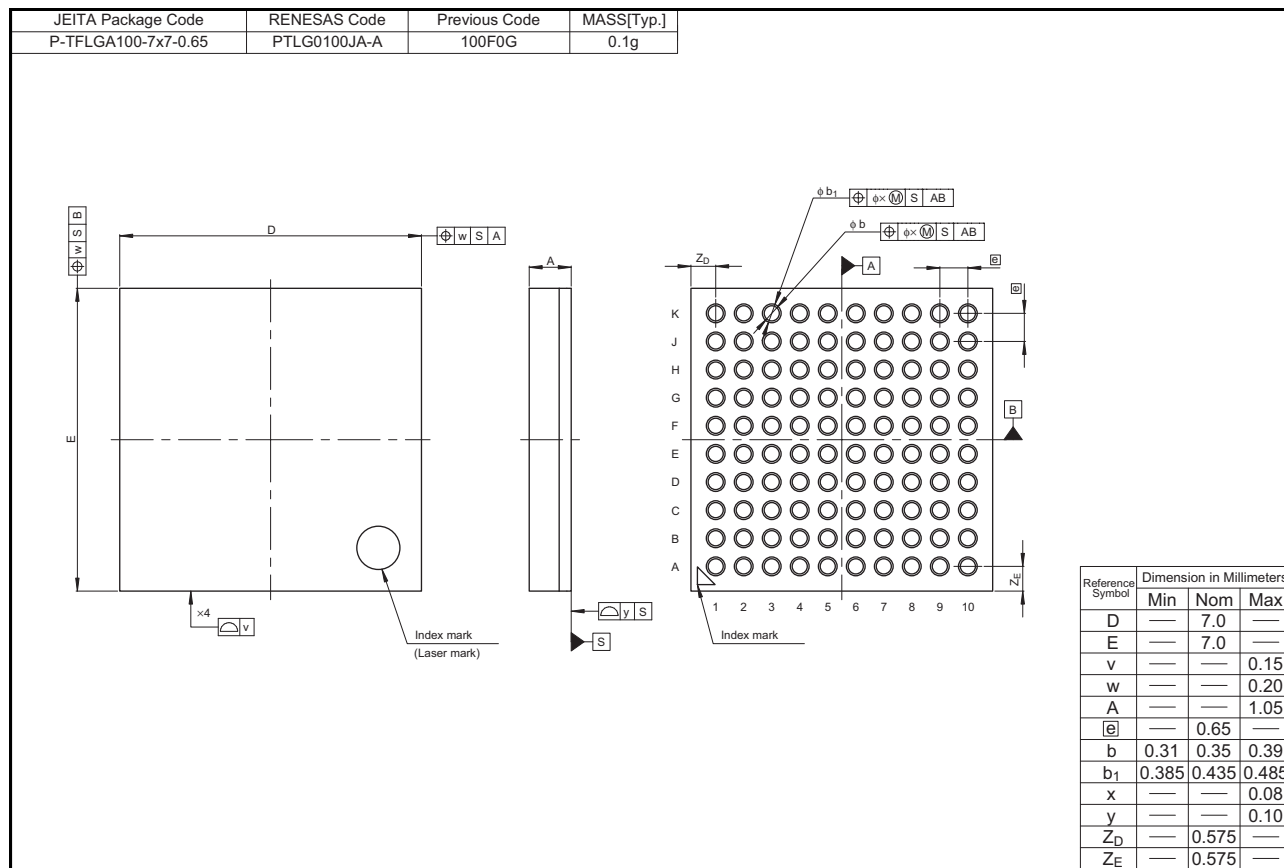
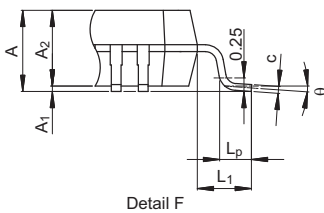
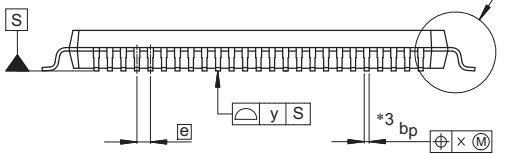
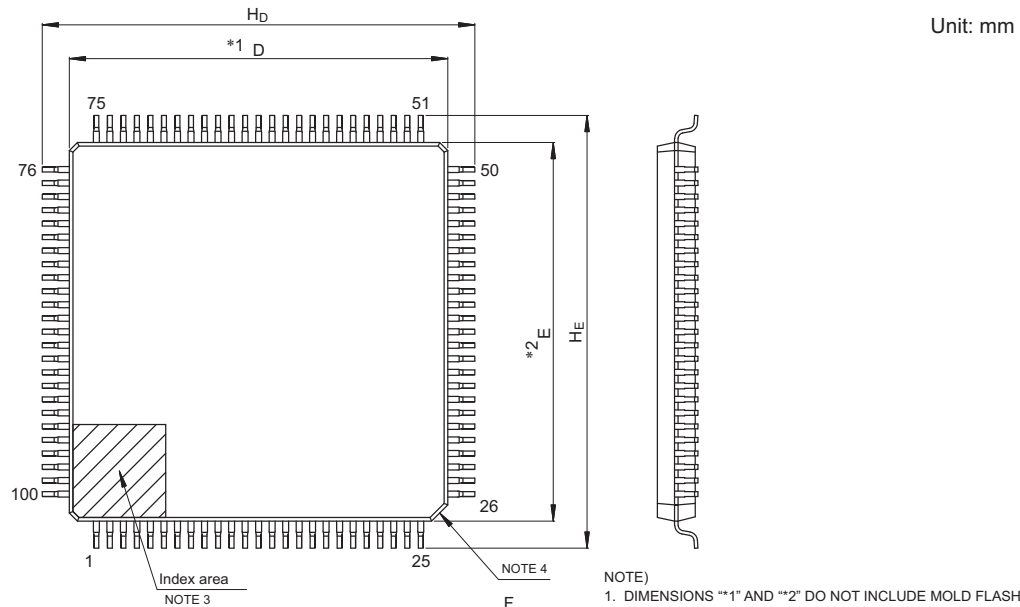


Figure 2.1 100-pin LGA

| JEITA Package Code | RENESAS Code | Previous Code | MASS (Typ) [g] |
|-----------------------|--------------|---------------|----------------|
| P-LFQFP100-14x14-0.50 | PLQP0100KB-B | — | 0.6 |



- NOTE)
1. DIMENSIONS **1* AND **2* DO NOT INCLUDE MOLD FLASH.
 2. DIMENSION **3* DOES NOT INCLUDE TRIM OFFSET.
 3. PIN 1 VISUAL INDEX FEATURE MAY VARY, BUT MUST BE LOCATED WITHIN THE HATCHED AREA.
 4. CHAMFERS AT CORNERS ARE OPTIONAL, SIZE MAY VARY.

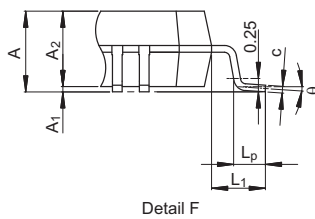
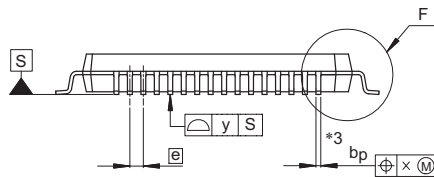
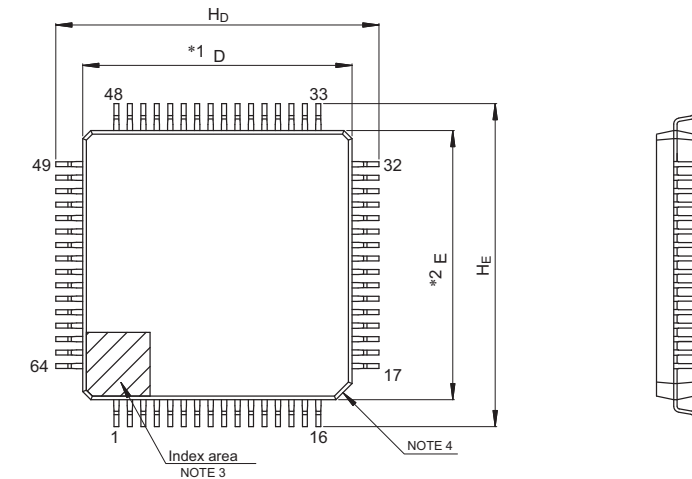
| Reference Symbol | Dimensions in millimeters | | |
|------------------|---------------------------|------|------|
| | Min | Nom | Max |
| D | 13.9 | 14.0 | 14.1 |
| E | 13.9 | 14.0 | 14.1 |
| A ₂ | — | 1.4 | — |
| H _D | 15.8 | 16.0 | 16.2 |
| H _E | 15.8 | 16.0 | 16.2 |
| A | — | — | 1.7 |
| A ₁ | 0.05 | — | 0.15 |
| b _p | 0.15 | 0.20 | 0.27 |
| c | 0.09 | — | 0.20 |
| θ | 0° | 3.5° | 8° |
| e | — | 0.5 | — |
| x | — | — | 0.08 |
| y | — | — | 0.08 |
| L _p | 0.45 | 0.6 | 0.75 |
| L ₁ | — | 1.0 | — |

© 2015 Renesas Electronics Corporation. All rights reserved.

Figure 2.2 100-pin LQFP

| JEITA Package Code | RENESAS Code | Previous Code | MASS (Typ) [g] |
|----------------------|--------------|---------------|----------------|
| P-LFQFP64-10x10-0.50 | PLQP0064KB-C | — | 0.3 |

Unit: mm



NOTE)

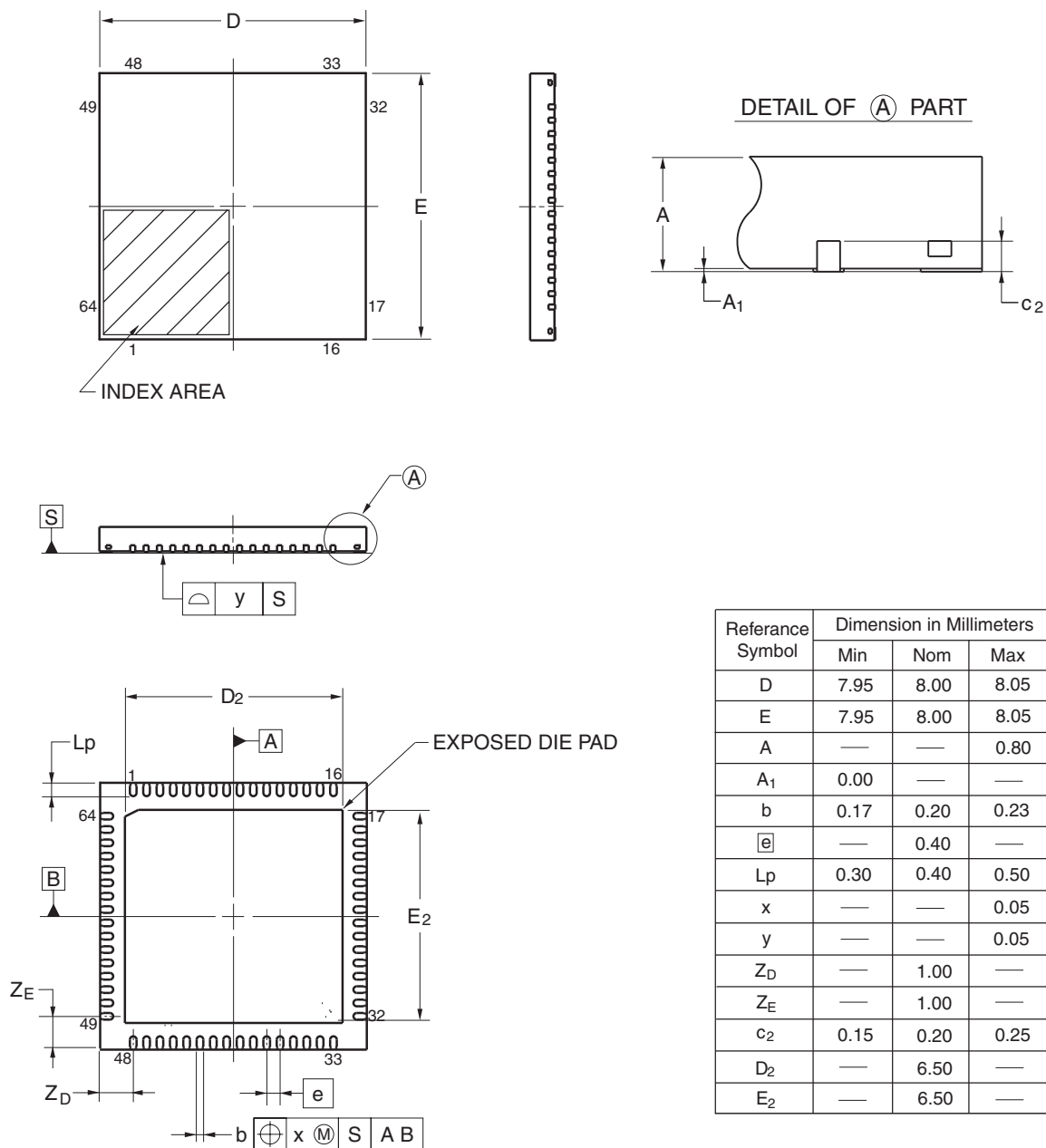
1. DIMENSIONS "*1" AND "*2" DO NOT INCLUDE MOLD FLASH.
2. DIMENSION "*3" DOES NOT INCLUDE TRIM OFFSET.
3. PIN 1 VISUAL INDEX FEATURE MAY VARY, BUT MUST BE LOCATED WITHIN THE HATCHED AREA.
4. CHAMFERS AT CORNERS ARE OPTIONAL, SIZE MAY VARY.

| Reference Symbol | Dimensions in millimeters | | |
|------------------|---------------------------|------|------|
| | Min | Nom | Max |
| D | 9.9 | 10.0 | 10.1 |
| E | 9.9 | 10.0 | 10.1 |
| A ₂ | — | 1.4 | — |
| H _D | 11.8 | 12.0 | 12.2 |
| H _E | 11.8 | 12.0 | 12.2 |
| A | — | — | 1.7 |
| A ₁ | 0.05 | — | 0.15 |
| b _p | 0.15 | 0.20 | 0.27 |
| c | 0.09 | — | 0.20 |
| θ | 0° | 3.5° | 8° |
| [e] | — | 0.5 | — |
| x | — | — | 0.08 |
| y | — | — | 0.08 |
| L _p | 0.45 | 0.6 | 0.75 |
| L ₁ | — | 1.0 | — |

© 2015 Renesas Electronics Corporation. All rights reserved.

Figure 2.3 64-pin LQFP

| JEITA Package code | RENESAS code | Previous code | MASS(TYP.)[g] |
|--------------------|--------------|----------------|---------------|
| P-HWQFN64-8x8-0.40 | PWQN0064LA-A | P64K8-40-9B5-3 | 0.16 |



©2013 Renesas Electronics Corporation. All rights reserved.

Figure 2.4 64-pin QFN

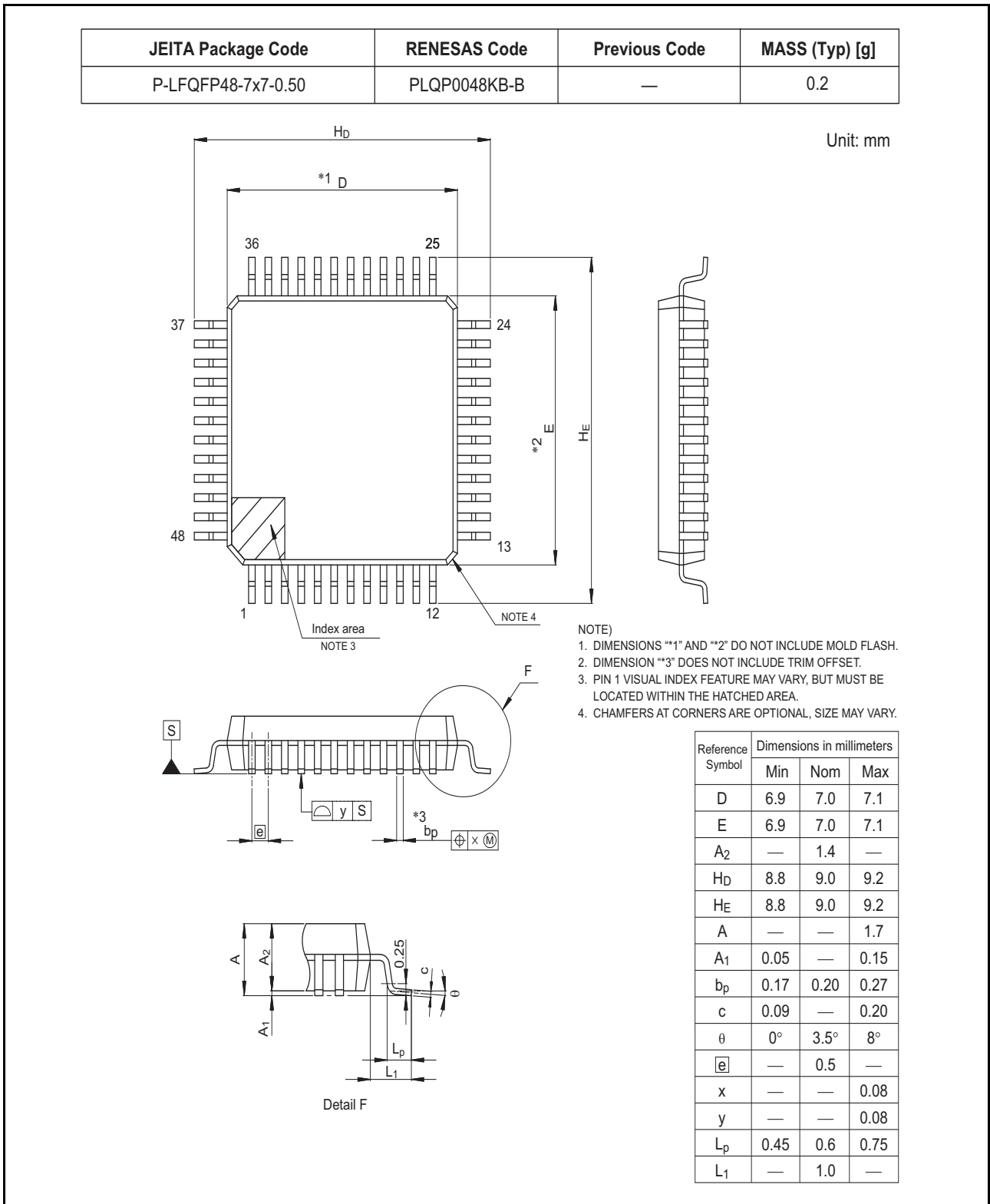
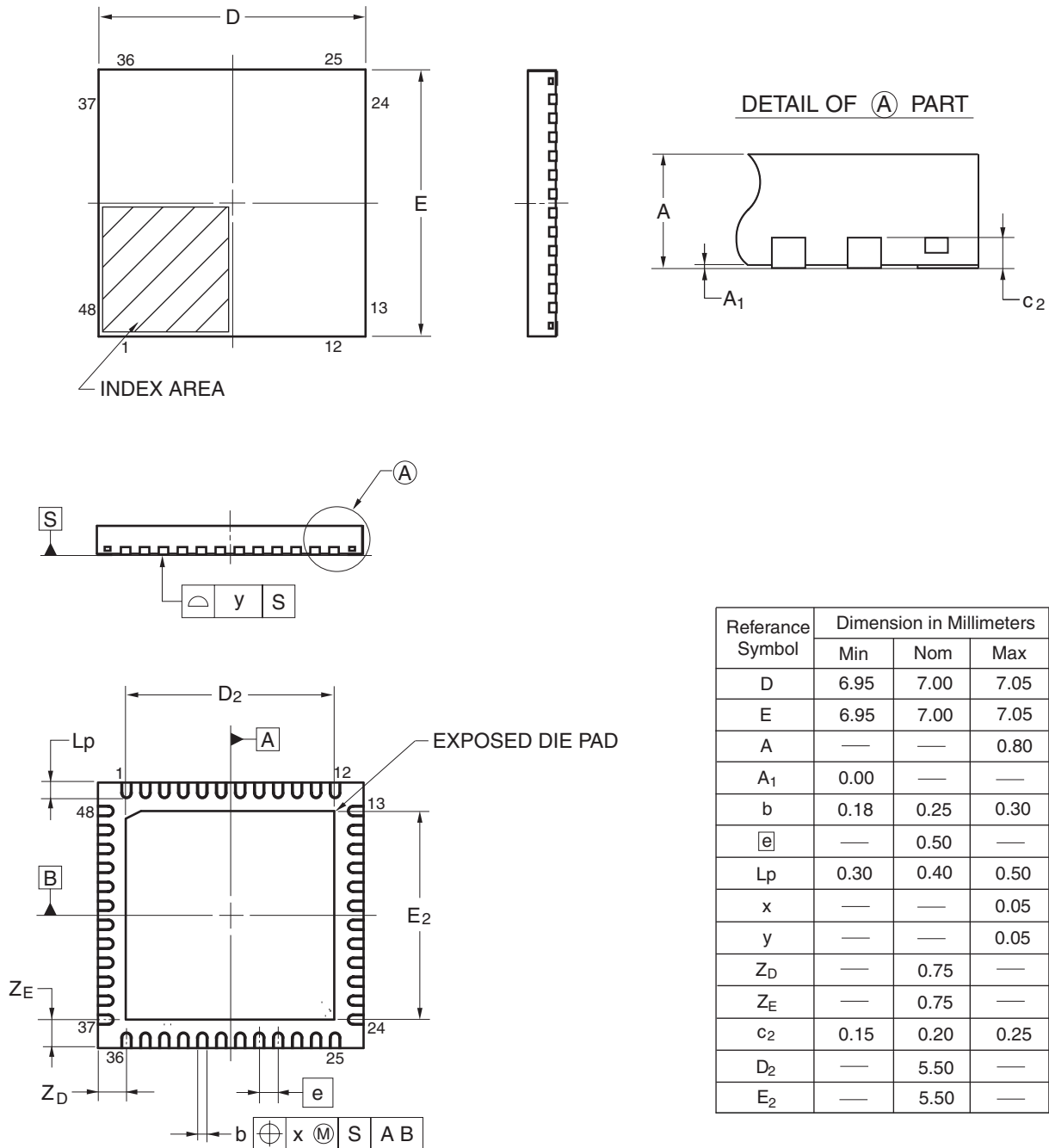


Figure 2.5 48-pin LQFP

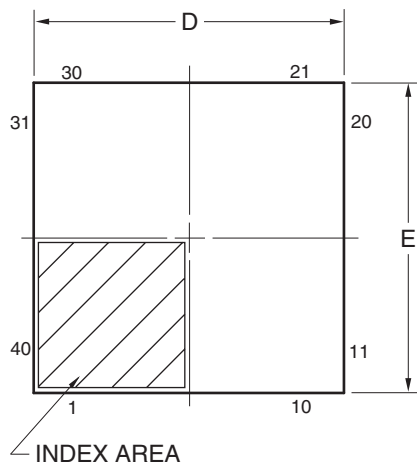
| JEITA Package code | RENESAS code | Previous code | MASS(TYP.)[g] |
|--------------------|--------------|---------------------------|---------------|
| P-HWQFN48-7x7-0.50 | PWQN0048KB-A | 48PJN-A P48K8-50-5B4-6 | 0.13 |



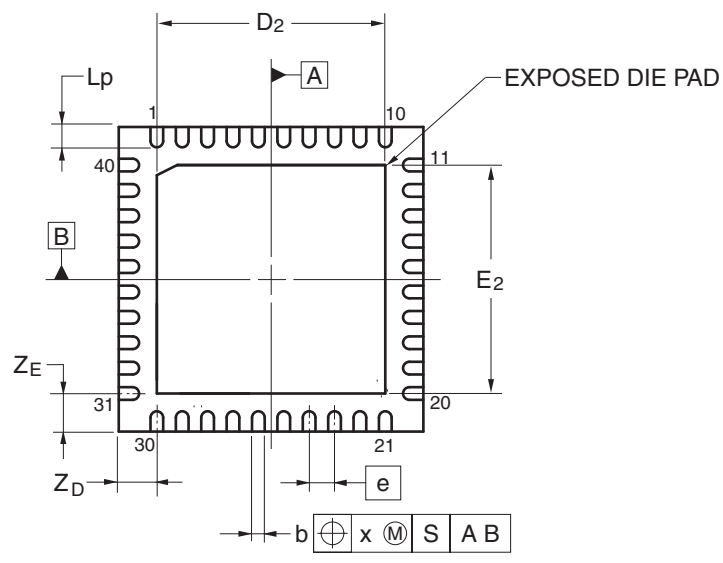
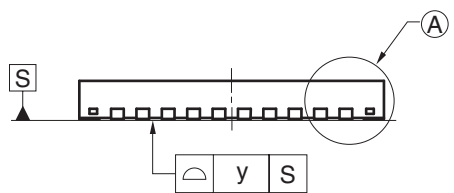
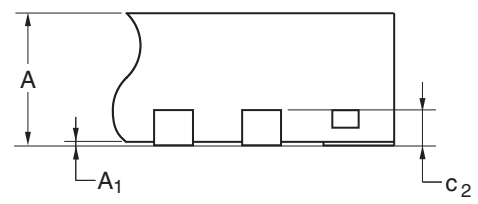
©2013 Renesas Electronics Corporation. All rights reserved.

Figure 2.6 48-pin QFN

| JEITA Package code | RENESAS code | Previous code | MASS(TYP.)[g] |
|--------------------|--------------|----------------|---------------|
| P-HWQFN40-6x6-0.50 | PWQN0040KC-A | P40K8-50-4B4-5 | 0.09 |



DETAIL OF (A) PART



| Reference Symbol | Dimension in Millimeters | | |
|------------------|--------------------------|------|------|
| | Min | Nom | Max |
| D | 5.95 | 6.00 | 6.05 |
| E | 5.95 | 6.00 | 6.05 |
| A | — | — | 0.80 |
| A ₁ | 0.00 | — | — |
| b | 0.18 | 0.25 | 0.30 |
| e | — | 0.50 | — |
| L _p | 0.30 | 0.40 | 0.50 |
| x | — | — | 0.05 |
| y | — | — | 0.05 |
| Z _D | — | 0.75 | — |
| Z _E | — | 0.75 | — |
| c ₂ | 0.15 | 0.20 | 0.25 |
| D ₂ | — | 4.50 | — |
| E ₂ | — | 4.50 | — |

Figure 2.7 40-pin QFN

Appendix 3. I/O Registers

This appendix describes I/O register addresses, access cycles, and reset values by function.

3.1 Peripheral Base Addresses

This section provides the base addresses for peripherals described in this manual.

Table 3.1 shows the name, description, and the base address of each peripheral.

Table 3.1 Peripheral base address (1 of 2)

| Name | Description | Base address |
|--------|----------------------------------------------|--------------|
| MMPU | Bus Master MPU | 0x4000 0000 |
| SMPU | Bus Slave MPU | 0x4000 0C00 |
| SPMON | CPU Stack Pointer Monitor | 0x4000 0D00 |
| SRAM | SRAM Control | 0x4000 2000 |
| BUS | BUS Control | 0x4000 3000 |
| DMAC0 | Direct Memory Access Controller 0 | 0x4000 5000 |
| DMAC1 | Direct Memory Access Controller 1 | 0x4000 5040 |
| DMAC2 | Direct Memory Access Controller 2 | 0x4000 5080 |
| DMAC3 | Direct Memory Access Controller 3 | 0x4000 50C0 |
| DMA | DMAC Module Activation | 0x4000 5200 |
| DTC | Data Transfer Controller | 0x4000 5400 |
| ICU | Interrupt Controller | 0x4000 6000 |
| DBG | Debug Function | 0x4001 B000 |
| FCACHE | Flash Cache | 0x4001 C000 |
| SYSTEM | System Control | 0x4001 E000 |
| PORT0 | Port 0 Control Registers | 0x4004 0000 |
| PORT1 | Port 1 Control Registers | 0x4004 0020 |
| PORT2 | Port 2 Control Registers | 0x4004 0040 |
| PORT3 | Port 3 Control Registers | 0x4004 0060 |
| PORT4 | Port 4 Control Registers | 0x4004 0080 |
| PORT5 | Port 5 Control Registers | 0x4004 00A0 |
| PORT6 | Port 6 Control Registers | 0x4004 00C0 |
| PORT7 | Port 7 Control Registers | 0x4004 00E0 |
| PORT8 | Port 8 Control Registers | 0x4004 0100 |
| PORT9 | Port 9 Control Registers | 0x4004 0120 |
| PFS | Pmn Pin Function Control Register | 0x4004 0800 |
| PMISC | Miscellaneous Port Control Register | 0x4004 0D00 |
| ELC | Event Link Controller | 0x4004 1000 |
| POEG | Port Output Enable Module for GPT | 0x4004 2000 |
| RTC | Realtime Clock | 0x4004 4000 |
| WDT | Watchdog Timer | 0x4004 4200 |
| IWDT | Independent Watchdog Timer | 0x4004 4400 |
| CAC | Clock Frequency Accuracy Measurement Circuit | 0x4004 4600 |
| MSTP | Module Stop Control B,C,D | 0x4004 7000 |
| SSI0 | Serial Sound Interface Extended | 0x4004 E000 |
| CAN0 | CAN0 Module | 0x4005 0000 |
| IIC0 | Inter-Integrated Circuit 0 | 0x4005 3000 |
| IIC1 | Inter-Integrated Circuit 1 | 0x4005 3100 |
| DOC | Data Operation Circuit | 0x4005 4100 |

Table 3.1 Peripheral base address (2 of 2)

| Name | Description | Base address |
|---------|--------------------------------------|--------------|
| ADC140 | 14-bit A/D Converter | 0x4005 C000 |
| DAC12 | 12-bit D/A Converter | 0x4005 E000 |
| SCI0 | Serial Communication Interface 0 | 0x4007 0000 |
| SCI1 | Serial Communication Interface 1 | 0x4007 0020 |
| SCI2 | Serial Communication Interface 2 | 0x4007 0040 |
| SCI9 | Serial Communication Interface 9 | 0x4007 0120 |
| SPI0 | Serial Peripheral Interface 0 | 0x4007 2000 |
| SPI1 | Serial Peripheral Interface 1 | 0x4007 2100 |
| CRC | CRC Calculator | 0x4007 4000 |
| GPT320 | General PWM Timer 0 (32-bit) | 0x4007 8000 |
| GPT321 | General PWM Timer 1 (32-bit) | 0x4007 8100 |
| GPT162 | General PWM Timer 2 (16-bit) | 0x4007 8200 |
| GPT163 | General PWM Timer 3 (16-bit) | 0x4007 8300 |
| GPT164 | General PWM Timer 4 (16-bit) | 0x4007 8400 |
| GPT165 | General PWM Timer 5 (16-bit) | 0x4007 8500 |
| GPT166 | General PWM Timer 6 (16-bit) | 0x4007 8600 |
| GPT167 | General PWM Timer 7 (16-bit) | 0x4007 8700 |
| GPT_OPS | Output Phase Switching Controller | 0x4007 8FF0 |
| KINT | Key Interrupt Function | 0x4008 0000 |
| CTSU | Capacitive Touch Sensing Unit | 0x4008 1000 |
| SLCDC | Segment LCD Controller/Driver | 0x4008 2000 |
| AGT0 | Asynchronous General Purpose Timer 0 | 0x4008 4000 |
| AGT1 | Asynchronous General Purpose Timer 1 | 0x4008 4100 |
| ACMPLP | Low-Power Analog Comparator | 0x4008 5E00 |
| OPAMP | Operational Amplifier | 0x4008 6000 |
| USBFS | USB 2.0 Full-Speed Module | 0x4009 0000 |
| DAC8 | 8-bit D/A Converter | 0x4009 E000 |
| TSN | Temperature Sensor | 0x407E C000 |

Name = Peripheral name

Description = Peripheral functionality

Base address = Lowest reserved address or address used by the peripheral

3.2 Access Cycles

This section provides access cycle information for the I/O registers described in this manual.

The following information applies to [Table 3.2](#) and [Table 3.3](#):

- Registers are grouped by associated module
- The number of access cycles indicates the number of cycles based on the specified reference clock
- In the internal I/O register area, reserved addresses that are not allocated to registers must not be accessed, otherwise operations cannot be guaranteed
- The number of I/O register access cycles depends on bus cycles of the internal peripheral bus and divided clock synchronization cycles. Divided clock synchronization cycles differ depending on the frequency ratio between ICLK and PCLK.
- When the frequency of ICLK is equal to that of PCLK, the number of divided clock synchronization cycles is always constant.

- When the frequency of ICLK is greater than that of PCLK, at least 1 PCLK cycle is added to the number of divided clock synchronization cycles.

Note: This applies to the number of cycles when access from the CPU does not conflict with the instruction fetching to the external memory or bus access from other bus master such as DTC.

Table 3.2 shows register access cycles for non-GPT modules.

Table 3.2 Access cycles for non-GPT modules

| Peripheral | Address | | Number of access cycles | | | | | |
|-----------------------------------------------------------------|------------|------------|-------------------------|----------|---------------|-------|---------------------------------------------------------------------------------------------------------------------------------------------------------------------------------------------|------------------------------------------------------------------------------------------------------------------------|
| | | | ICLK = PCLK | | ICLK > PCLK*1 | | Cycle unit | Related function |
| | From | To | Read | Write | Read | Write | | |
| MMPU, SMPU, SPMON, SRAM, BUS, DMACn, DMA, DTC, ICU, DBG, FCACHE | 4000 0000h | 4001 CFFFh | 2 | | | | ICLK | Memory Protection Unit, SRAM, Buses, DMA Controller, Data Transfer Controller, Interrupt Controller, CPU, Flash Memory |
| SYSTEM | 4001 E000h | 4001 E3FFh | 3 | | | | ICLK | Low Power Modes, Resets, Low Voltage Detection, Clock Generation Circuit, Register Write Protection |
| SYSTEM | 4001 E400h | 4001 E6FFh | 7 | 5 to 7 | | PCLKB | Low Power Modes, Resets, Low Voltage Detection, Battery Backup Function | |
| PORTn, PFS, PMISC, ELC, POEG, RTC, WDT, IWDT, CAC, MSTP | 4004 0000h | 4004 7FFFh | 3 | 2 to 3 | | PCLKB | I/O Ports, Event Link Controller, Port Output Enable for GPT, Realtime Clock, Watchdog Timer, Independent Watchdog Timer, Clock Frequency Accuracy Measurement Circuit, Module Stop Control | |
| SSIE0, CAN0, IICn, DOC, ADC140, DAC12 | 4004 E000h | 4005 EFFFh | 3 | 2 to 3 | | PCLKB | Serial Sound Interface Enhanced, Controller Area Network Module, I ² C Bus Interface, Data Operation Circuit, 14-Bit A/D Converter, 12-Bit D/A Converter | |
| SCIn | 4007 0000h | 4007 0EFFh | 5*2 | 2 to 3*2 | | PCLKA | Serial Communications Interface | |
| SPIn | 4007 2000h | 4007 2FFFh | 5*3 | 2 to 3*3 | | PCLKA | Serial Peripheral Interface | |
| CRC | 4007 4000h | 4007 4FFFh | 3 | 2 to 3 | | PCLKA | CRC Calculator | |
| GPT32n, GPT OPS | 4007 8000h | 4007 8FFFh | See Table 3.3*4 | | | | PCLKA | General PWM Timer |
| KINT, CTSU, SLCDC | 4008 0000h | 4008 1FFFh | 2 | 1 to 2 | | PCLKB | Key Interrupt Function, Capacitive Touch Sensing Unit, Segment LCD Controller | |
| AGTn | 4008 4000h | 4008 4FFFh | 3 | 2 to 3 | | PCLKB | Asynchronous General Purpose Timer | |
| ACMPLP, OPAMP | 4008 5000h | 4008 6FFFh | 2 | 1 to 2 | | PCLKB | Low-Power Analog Comparator, Operational Amplifier | |
| USBFS | 4009 0000h | 4009 03FFh | 4 | 3 to 4 | | PCLKB | USB 2.0 Full-Speed Module | |
| USBFS | 4009 0400h | 4009 04FFh | 3 | 2 to 3 | | PCLKB | USB 2.0 Full-Speed Module | |
| DAC8 | 4009 E000h | 4009 E00Fh | 2 | 1 to 2 | | PCLKB | 8-Bit D/A Converter | |
| TSN | 407E C000h | 407E CFFFh | 7 | 7 | | ICLK | Temperature Sensor | |

Note 1. If the number of PCLK cycles is non-integer (for example 1.5), the minimum value is without the decimal point, and the maximum value is rounded up to the decimal point. For example, 1.5 to 2.5 is 1 to 3.

Note 2. When accessing a 16-bit register (FTDRHL, FRDRHL, FCR, FDR, LSR, and CDR), access is 2 cycles more than the value shown in Table 3.2. When accessing an 8-bit register (FTDRH, FTDRL, FRDRH, and FRDRL), the access cycles are as shown in Table 3.2.

Note 3. When accessing a 32-bit register (SPDR), access is 2 cycles more than the value in Table 3.2. When accessing an 8-bit or a 16-bit register (SPDR_HA), the access cycles are as shown in Table 3.2.

Note 4. The access cycles differs depending on the frequency ratio between ICLK, PCLKB, and PCLKD, as shown in Table 3.3.

Table 3.3 shows register access cycles for GPT modules.

Table 3.3 Access cycles for GPT modules

| Frequency ratio between ICLK and PCLK | Number of access cycles | | |
|---------------------------------------|-------------------------|--------|------------|
| | Read | Write | Cycle unit |
| ICLK > PCLKD = PCLKA | 5 to 6 | 3 to 4 | PCLKA |
| ICLK > PCLKD > PCLKA | 3 to 4 | 2 to 3 | PCLKA |
| PCLKD = ICLK = PCLKA | 6 | 4 | PCLKA |
| PCLKD = ICLK > PCLKA | 2 to 3 | 1 to 2 | PCLKA |
| PCLKD > ICLK = PCLKA | 4 | 3 | PCLKA |
| PCLKD > ICLK > PCLKA | 2 to 3 | 1 to 2 | PCLKA |

3.3 Register Descriptions

This section provides information associated with registers described in this manual.

Table 3.4 shows a list of the registers, including address offset and sizes, access rights, and reset values.

Table 3.4 Register description (1 of 28)

| Peripheral name | Dim | Dim incr. | Dim index | Register name | Description | Address offset | Size | Access | Reset value | Reset mask |
|-----------------|-----|-----------|-----------|---------------|----------------------------------------------------------|----------------|------|------------|-------------|------------|
| MMPU | - | - | - | MMPUCTLA | Bus Master MPU Control Register A | 0x000 | 16 | read/write | 0x0000 | 0xFFFF |
| | | | | MMPUPTA | Group A Protection of Register | 0x102 | 16 | read/write | 0x0000 | 0xFFFF |
| | 16 | 0x010 | 0-15 | MMPUACA%s | Group A Region %s Access Control Register | 0x200 | 16 | read/write | 0x0000 | 0xFFFF |
| | 16 | 0x010 | 0-15 | MMPUSA%s | Group A Region %s Start Address Register | 0x204 | 32 | read/write | 0x00000000 | 0x00000003 |
| | 16 | 0x010 | 0-15 | MMPUEA%s | Group A Region %s End Address Register | 0x208 | 32 | read/write | 0x00000003 | 0x00000003 |
| SMPU | - | - | - | SMPUCTL | Slave MPU Control Register | 0x00 | 16 | read/write | 0x0000 | 0xFFFF |
| | | | | SMPUMBIU | Access Control Register for MBIU | 0x10 | 16 | read/write | 0x0000 | 0xFFFF |
| | | | | SMPUFBIU | Access Control Register for FBIU | 0x14 | 16 | read/write | 0x0000 | 0xFFFF |
| | | | | SMPUSRAM0 | Access Control Register for SRAM0 | 0x18 | 16 | read/write | 0x0000 | 0xFFFF |
| | 3 | 0x4 | 0,2,6 | SMPUP%sBIU | Access Control Register for P%sBIU | 0x20 | 16 | read/write | 0x0000 | 0xFFFF |
| SPMON | - | - | - | MSPMPUOAD | Stack Pointer Monitor Operation After Detection Register | 0x00 | 16 | read/write | 0x0000 | 0xFFFF |
| | | | | MSPMPUCTL | Stack Pointer Monitor Access Control Register | 0x04 | 16 | read/write | 0x0000 | 0xFEFF |
| | | | | MSPMPUPT | Stack Pointer Monitor Protection Register | 0x06 | 16 | read/write | 0x0000 | 0xFFFF |

Table 3.4 Register description (2 of 28)

| Peripheral name | Dim | Dim incr. | Dim index | Register name | Description | Address offset | Size | Access | Reset value | Reset mask |
|-----------------|-----|-----------|--------------------|---------------|------------------------------------------------------------|----------------|------|------------|-------------|------------|
| SPMON | - | - | - | MSPMPUSA | Main Stack Pointer (MSP) Monitor Start Address Register | 0x08 | 32 | read/write | 0x00000000 | 0x00000003 |
| | | | | MSPMPUEA | Main Stack Pointer (MSP) Monitor End Address Register | 0x0C | 32 | read/write | 0x00000003 | 0x00000003 |
| | | | | PSPMPUOAD | Stack Pointer Monitor Operation After Detection Register | 0x10 | 16 | read/write | 0x0000 | 0xFFFF |
| | | | | PSPMPUCTL | Stack Pointer Monitor Access Control Register | 0x14 | 16 | read/write | 0x0000 | 0xFEFF |
| | | | | PSPMPUPT | Stack Pointer Monitor Protection Register | 0x16 | 16 | read/write | 0x0000 | 0xFFFF |
| | | | | PSPMPUSA | Process Stack Pointer (PSP) Monitor Start Address Register | 0x18 | 32 | read/write | 0x00000000 | 0x00000003 |
| | | | | PSPMPUEA | Process Stack Pointer (PSP) Monitor End Address Register | 0x1C | 32 | read/write | 0x00000003 | 0x00000003 |
| SRAM | - | - | - | PARIOAD | SRAM Parity Error Operation After Detection Register | 0x00 | 8 | read/write | 0x00 | 0xFF |
| | | | | SRAMPRCR | SRAM Protection Register | 0x04 | 8 | read/write | 0x00 | 0xFF |
| | | | | ECCMODE | ECC Operating Mode Control Register | 0xC0 | 8 | read/write | 0x00 | 0xFF |
| | | | | ECC2STS | ECC 2-Bit Error Status Register | 0xC1 | 8 | read/write | 0x00 | 0xFF |
| | | | | ECC1STSEN | ECC 1-Bit Error Information Update Enable Register | 0xC2 | 8 | read/write | 0x00 | 0xFF |
| | | | | ECC1STS | ECC 1-Bit Error Status Register | 0xC3 | 8 | read/write | 0x00 | 0xFF |
| | | | | ECCPRCR | ECC Protection Register | 0xC4 | 8 | read/write | 0x00 | 0xFF |
| | | | | ECCPRCR2 | ECC Protection Register 2 | 0xD0 | 8 | read/write | 0x00 | 0xFF |
| | | | | ECCEST | ECC Test Control Register | 0xD4 | 8 | read/write | 0x00 | 0xFF |
| | | | | ECCOAD | SRAM ECC Error Operation After Detection Register | 0xD8 | 8 | read/write | 0x00 | 0xFF |
| BUS | 4 | 0x4 | M4I, M4D, SYS, DMA | BUSMCNT%s | Master Bus Control Register %s | 0x1000 | 16 | read/write | 0x0000 | 0xFFFF |
| | - | - | - | BUSSCNTFLI | Slave Bus Control Register FLI | 0x1100 | 16 | read/write | 0x0000 | 0xFFFF |
| | 2 | 0x4 | MBIU, RAM 0 | BUSSCNT%s | Slave Bus Control Register %s | 0x1108 | 16 | read/write | 0x0000 | 0xFFFF |
| | 4 | 0x4 | P0B, P2B, P3B, P4B | BUSSCNT%s | Slave Bus Control Register %s | 0x1114 | 16 | read/write | 0x0000 | 0xFFFF |

Table 3.4 Register description (3 of 28)

| Peripheral name | Dim | Dim incr. | Dim index | Register name | Description | Address offset | Size | Access | Reset value | Reset mask |
|-----------------|-----|-----------|-----------|---------------|----------------------------------------------|----------------|------|------------|-------------|-------------|
| BUS | - | - | - | BUSSCNTP6B | Slave Bus Control Register P6B | 0x1128 | 16 | read/write | 0x0000 | 0xFFFF |
| | | | | BUSSCNTFBU | Slave Bus Control Register FBU | 0x1130 | 16 | read/write | 0x0000 | 0xFFFF |
| | 4 | 0x10 | 1-4 | BUS%sERRAD D | Bus Error Address Register %s | 0x1800 | 32 | read-only | 0x00000000 | 0x00000000 |
| | 4 | 0x10 | 1-4 | BUS%sERRSTAT | Bus Error Status Register %s | 0x1804 | 8 | read-only | 0x00 | 0xFE |
| DMAC0-3 | - | - | - | DMSAR | DMA Source Address Register | 0x00 | 32 | read/write | 0x00000000 | 0xFFFF FFFF |
| | | | | DMDAR | DMA Destination Address Register | 0x04 | 32 | read/write | 0x00000000 | 0xFFFF FFFF |
| | | | | DMCRA | DMA Transfer Count Register | 0x08 | 32 | read/write | 0x00000000 | 0xFFFF FFFF |
| | | | | DMCRB | DMA Block Transfer Count Register | 0x0C | 16 | read/write | 0x0000 | 0xFFFF |
| | | | | DMTMD | DMA Transfer Mode Register | 0x10 | 16 | read/write | 0x0000 | 0xFFFF |
| | | | | DMINT | DMA Interrupt Setting Register | 0x13 | 8 | read/write | 0x00 | 0xFF |
| | | | | DMAMD | DMA Address Mode Register | 0x14 | 16 | read/write | 0x0000 | 0xFFFF |
| | | | | DMOFR | DMA Offset Register | 0x18 | 32 | read/write | 0x00000000 | 0xFFFF FFFF |
| | | | | DMCNT | DMA Transfer Enable Register | 0x1C | 8 | read/write | 0x00 | 0xFF |
| | | | | DMREQ | DMA Software Start Register | 0x1D | 8 | read/write | 0x00 | 0xFF |
| | | | | DMSTS | DMA Status Register | 0x1E | 8 | read/write | 0x00 | 0xFF |
| DMA | - | - | - | DMAST | DMAC Module Activation Register | 0x00 | 8 | read/write | 0x00 | 0xFF |
| DTC | - | - | - | DTCCR | DTC Control Register | 0x00 | 8 | read/write | 0x08 | 0xFF |
| | | | | DTCVBR | DTC Vector Base Register | 0x04 | 32 | read/write | 0x00000000 | 0xFFFF FFFF |
| | | | | DTCST | DTC Module Start Register | 0x0C | 8 | read/write | 0x00 | 0xFF |
| | | | | DTCSTS | DTC Status Register | 0x0E | 16 | read-only | 0x0000 | 0xFFFF |
| ICU | 13 | 0x1 | 0-12 | IRQCR%s | IRQ Control Register %s | 0x000 | 8 | read/write | 0x00 | 0xFF |
| | 2 | 0x1 | 14,15 | IRQCR%s | IRQ Control Register %s | 0x00E | 8 | read/write | 0x00 | 0xFF |
| | - | - | - | NMICR | NMI Pin Interrupt Control Register | 0x100 | 8 | read/write | 0x00 | 0xFF |
| | | | | NMIER | Non-Maskable Interrupt Enable Register | 0x120 | 16 | read/write | 0x0000 | 0xFFFF |
| | | | | NMICLR | Non-Maskable Interrupt Status Clear Register | 0x130 | 16 | read/write | 0x0000 | 0xFFFF |
| | | | | NMISR | Non-Maskable Interrupt Status Register | 0x140 | 16 | read-only | 0x0000 | 0xFFFF |

Table 3.4 Register description (4 of 28)

| Peripheral name | Dim | Dim incr. | Dim index | Register name | Description | Address offset | Size | Access | Reset value | Reset mask |
|-----------------|-------------------------------------------|-----------|-----------|---------------|--------------------------------------------------|----------------|------|------------|----------------|----------------|
| ICU | - | - | - | WUPEN | Wake Up Interrupt Enable Register | 0x1A0 | 32 | read/write | 0x0000 0000 | 0xFFFF FFFF |
| | | | | SELSR0 | SYS Event Link Setting Register | 0x200 | 16 | read/write | 0x0000 | 0xFFFF |
| | 4 | 0x4 | 0-3 | DELSR%s | DMAC Event Link Setting Register %s | 0x280 | 16 | read/write | 0x0000 | 0xFFFF |
| | 32 | 0x4 | 0-31 | IELSR%s | ICU Event Link Setting Register %s | 0x300 | 32 | read/write | 0x0000 0000 | 0xFFFF FFFF |
| DBG | - | - | - | DBGSTR | Debug Status Register | 0x000 | 32 | read-only | 0x0000 0000 | 0xFFFF FFFF |
| | | | | DBGSTOPCR | Debug Stop Control Register | 0x010 | 32 | read/write | 0x0000 0003 | 0xFFFF FFFF |
| | | | | TRACECTR | Trace Control Register | 0x020 | 32 | read/write | 0x0000 0000 | 0xFFFF FFFF |
| FCACHE | - | - | - | FCACHEE | Flash Cache Enable Register | 0x100 | 16 | read/write | 0x0000 | 0xFFFF |
| | | | | FCACHEIV | Flash Cache Invalidate Register | 0x104 | 16 | read/write | 0x0000 | 0xFFFF |
| SYSTEM | - | - | - | SBYCR | Standby Control Register | 0x00C | 16 | read/write | 0x4000 | 0xFFFF |
| | | | | MSTPCRA | Module Stop Control Register A | 0x01C | 32 | read/write | 0xFFBF FFBE | 0xFFFF FFFF |
| | | | | SCKDIVCR | System Clock Division Control Register | 0x020 | 32 | read/write | 0x4404 4444 | 0xFFFF FFFF |
| | | | | SCKSCR | System Clock Source Control Register | 0x026 | 8 | read/write | 0x01 | 0xFF |
| | | | | PLLCR | PLL Control Register | 0x02A | 8 | read/write | 0x01 | 0xFF |
| | | | | PLLCCR2 | PLL Clock Control Register 2 | 0x02B | 8 | read/write | 0x07 | 0xFF |
| | | | | MEMWAIT | Memory Wait Cycle Control Register | 0x031 | 8 | read/write | 0x00 | 0xFF |
| | | | | MOSCCR | Main Clock Oscillator Control Register | 0x032 | 8 | read/write | 0x01 | 0xFF |
| | | | | HOCOCCR | High-Speed On-Chip Oscillator Control Register | 0x036 | 8 | read/write | 0x00 | 0xFE |
| | | | | MOCOCCR | Middle-Speed On-Chip Oscillator Control Register | 0x038 | 8 | read/write | 0x00 | 0xFF |
| | | | | OSCSF | Oscillation Stabilization Flag Register | 0x03C | 8 | read-only | 0x00 | 0xFE |
| | | | | CKOCR | Clock Out Control Register | 0x03E | 8 | read/write | 0x00 | 0xFF |
| | | | | TRCKCR | Trace Clock Control Register | 0x03F | 8 | read/write | 0x01 | 0xFF |
| | | | | OSTDCR | Oscillation Stop Detection Control Register | 0x040 | 8 | read/write | 0x00 | 0xFF |
| | | | | OSTDSR | Oscillation Stop Detection Status Register | 0x041 | 8 | read/write | 0x00 | 0xFF |
| SLCDSCKCR | Segment LCD Source Clock Control Register | 0x050 | 8 | read/write | 0x00 | 0xFF | | | | |

Table 3.4 Register description (5 of 28)

| Peripheral name | Dim | Dim incr. | Dim index | Register name | Description | Address offset | Size | Access | Reset value | Reset mask |
|-----------------|-----|-----------|-------------------|---------------------------------------------------------|-----------------------------------------------------|----------------|------------|------------|-------------|------------|
| SYSTEM | - | - | - | MOCOUTCR | MOCO User Trimming Control Register | 0x061 | 8 | read/write | 0x00 | 0xFF |
| | | | | HOCOUTCR | HOCO User Trimming Control Register | 0x062 | 8 | read/write | 0x00 | 0xFF |
| | | | | SNZCR | Snooze Control Register | 0x092 | 8 | read/write | 0x00 | 0xFF |
| | | | | SNZEDCR | Snooze End Control Register | 0x094 | 8 | read/write | 0x00 | 0xFF |
| | | | | SNZREQCR | Snooze Request Control Register | 0x098 | 32 | read/write | 0x00000000 | 0xFFFFFFF |
| | | | | FLSTOP | Flash Operation Control Register | 0x09E | 8 | read/write | 0x00 | 0xFF |
| | | | | OPCCR | Operating Power Control Register | 0x0A0 | 8 | read/write | 0x02 | 0xFF |
| | | | | MOSCWTCR | Main Clock Oscillator Wait Control Register | 0x0A2 | 8 | read/write | 0x05 | 0xFF |
| | | | | HOCOWTCR | High-Speed On-Chip Oscillator Wait Control Register | 0x0A5 | 8 | read/write | 0x05 | 0xFF |
| | | | | SOPCCR | Sub Operating Power Control Register | 0x0AA | 8 | read/write | 0x00 | 0xFF |
| | | | | RSTSR1 | Reset Status Register 1 | 0x0C0 | 16 | read/write | 0x0000 | 0xE0F8 |
| | | | | BKRACR | Backup Register Access Control Register | 0x0C6 | 8 | read/write | 0x06 | 0xFF |
| | | | | USBCKCR | USB Clock Control register | 0x0D0 | 8 | read/write | 0x00 | 0xFF |
| 2 | 0x2 | 1,2 | LVD% <i>s</i> CR1 | Voltage Monitor % <i>s</i> Circuit Control Register 1 | 0x0E0 | 8 | read/write | 0x01 | 0xFF | |
| 2 | 0x2 | 1,2 | LVD% <i>s</i> SR | Voltage Monitor % <i>s</i> Circuit Status Register | 0x0E1 | 8 | read/write | 0x02 | 0xFF | |
| - | - | - | PRCR | Protect Register | 0x3FE | 16 | read/write | 0x0000 | 0xFFFF | |
| | | | SYOCDRCR | System Control OCD Control Register | 0x40E | 8 | read/write | 0x00 | 0xFF | |
| | | | RSTSR0 | Reset Status Register 0 | 0x410 | 8 | read/write | 0x00 | 0xF0 | |
| | | | RSTSR2 | Reset Status Register 2 | 0x411 | 8 | read/write | 0x00 | 0xFE | |
| | | | MOMCR | Main Clock Oscillator Mode Oscillation Control Register | 0x413 | 8 | read/write | 0x00 | 0xFF | |
| | | | LVCMPCCR | Voltage Monitor Circuit Control Register | 0x417 | 8 | read/write | 0x00 | 0xFF | |
| | | | LVDLVLRL | Voltage Detection Level Select Register | 0x418 | 8 | read/write | 0x07 | 0xFF | |
| 2 | 0x1 | 1,2 | LVD% <i>s</i> CR0 | Voltage Monitor % <i>s</i> Circuit Control Register 0 | 0x41A | 8 | read/write | 0x80 | 0xF7 | |
| - | - | - | VBTCR1 | VBATT Control Register 1 | 0x41F | 8 | read/write | 0x00 | 0xFF | |
| | | | SOSCCR | Sub-Clock Oscillator Control Register | 0x480 | 8 | read/write | 0x01 | 0xFF | |
| | | | SOMCR | sub-Clock Oscillator Mode Control Register | 0x481 | 8 | read/write | 0x00 | 0xFF | |

Table 3.4 Register description (6 of 28)

| Peripheral name | Dim | Dim incr. | Dim index | Register name | Description | Address offset | Size | Access | Reset value | Reset mask |
|-----------------|-----|-----------|-----------|---------------|---------------------------------------------------------|----------------|------|------------|-------------|-------------|
| SYSTEM | - | - | - | LOCOCR | Low-Speed On-Chip Oscillator Control Register | 0x490 | 8 | read/write | 0x00 | 0xFF |
| | | | | LOCOUTCR | LOCO User Trimming Control Register | 0x492 | 8 | read/write | 0x00 | 0xFF |
| | | | | VBTCR2 | VBATT Control Register 2 | 0x4B0 | 8 | read/write | 0x00 | 0xFF |
| | | | | VBTSR | VBATT Status Register | 0x4B1 | 8 | read/write | 0x01 | 0xEC |
| | | | | VBTCMPCR | VBATT Comparator Control Register | 0x4B2 | 8 | read/write | 0x00 | 0xFF |
| | | | | VBTLVDICR | VBATT Pin Low Voltage Detect Interrupt Control Register | 0x4B4 | 8 | read/write | 0x00 | 0xFF |
| | | | | VBTWCTLR | VBATT Wakeup Function Control Register | 0x4B6 | 8 | read/write | 0x00 | 0xFF |
| | | | | VBTWCH0OTSR | VBATT Wakeup I/O 0 Output Trigger Select Register | 0x4B8 | 8 | read/write | 0x00 | 0xFF |
| | | | | VBTWCH1OTSR | VBATT Wakeup I/O 1 Output Trigger Select Register | 0x4B9 | 8 | read/write | 0x00 | 0xFF |
| | | | | VBTWCH2OTSR | VBATT Wakeup I/O 2 Output Trigger Select Register | 0x4BA | 8 | read/write | 0x00 | 0xFF |
| | | | | VBTICTLR | VBATT Input Control Register | 0x4BB | 8 | read/write | 0x00 | 0xFF |
| | | | | VBTOCTLR | VBATT Output Control Register | 0x4BC | 8 | read/write | 0x00 | 0xFF |
| | | | | VBTWTER | VBATT Wakeup Trigger source Enable Register | 0x4BD | 8 | read/write | 0x00 | 0xFF |
| | | | | VBTWEGR | VBATT Wakeup Trigger source Edge Register | 0x4BE | 8 | read/write | 0x00 | 0xFF |
| | | | | VBTWFR | VBATT Wakeup trigger source Flag Register | 0x4BF | 8 | read/write | 0x00 | 0xFF |
| | 512 | 0x1 | 0-511 | VBTBKR[%s] | VBATT Backup Register [%s] | 0x500 | 8 | read/write | 0x00 | 0x00 |
| PORT0,5-9 | - | - | - | PCNTR1 | Port Control Register 1 | 0x00 | 32 | read/write | 0x0000 0000 | 0xFFFF FFFF |
| | | | | PODR | Output Data Register | 0x00 | 16 | read/write | 0x0000 | 0xFFFF |
| | | | | PDR | Data Direction Register | 0x02 | 16 | read/write | 0x0000 | 0xFFFF |
| | | | | PCNTR2 | Port Control Register 2 | 0x04 | 32 | read-only | 0x0000 0000 | 0xFFFF 0000 |
| | | | | PIDR | Input Data Register | 0x06 | 16 | read-only | 0x0000 | 0x0000 |
| | | | | PCNTR3 | Port Control Register 3 | 0x08 | 32 | write-only | 0x0000 0000 | 0xFFFF FFFF |
| | | | | PORR | Output Reset Register | 0x08 | 16 | write-only | 0x0000 | 0xFFFF |
| | | | | POSR | Output Set Register | 0x0A | 16 | write-only | 0x0000 | 0xFFFF |
| PORT1-4 | - | - | - | PCNTR1 | Port Control Register 1 | 0x00 | 32 | read/write | 0x0000 0000 | 0xFFFF FFFF |

Table 3.4 Register description (7 of 28)

| Peripheral name | Dim | Dim incr. | Dim index | Register name | Description | Address offset | Size | Access | Reset value | Reset mask |
|-----------------|-----|-----------|-----------|---------------|-------------------------------------|----------------|------|------------|-------------|-------------|
| PORT1-4 | - | - | - | PODR | Output Data Register | 0x00 | 16 | read/write | 0x0000 | 0xFFFF |
| | | | | PDR | Data Direction Register | 0x02 | 16 | read/write | 0x0000 | 0xFFFF |
| | | | | PCNTR2 | Port Control Register 2 | 0x04 | 32 | read-only | 0x0000 0000 | 0xFFFF 0000 |
| | | | | EIDR | Event Input Data Register | 0x04 | 16 | read-only | 0x0000 | 0xFFFF |
| | | | | PIDR | Input Data Register | 0x06 | 16 | read-only | 0x0000 | 0x0000 |
| | | | | PCNTR3 | Port Control Register 3 | 0x08 | 32 | write-only | 0x0000 0000 | 0xFFFF FFFF |
| | | | | PORR | Output Set Register | 0x08 | 16 | write-only | 0x0000 | 0xFFFF |
| | | | | POSR | Output Reset Register | 0x0A | 16 | write-only | 0x0000 | 0xFFFF |
| | | | | PCNTR4 | Port Control Register 4 | 0x0C | 32 | read/write | 0x0000 0000 | 0xFFFF FFFF |
| | | | | EORR | Event Output Set Register | 0x0C | 16 | read/write | 0x0000 | 0xFFFF |
| | | | | EOSR | Event Output Reset Register | 0x0E | 16 | read/write | 0x0000 | 0xFFFF |
| PFS | - | - | - | P000PFS | P00%s Pin Function Control Register | 0x000 | 32 | read/write | 0x0000 0000 | 0xFFFF FFFD |
| | | | | P000PFS_HA | P00%s Pin Function Control Register | 0x002 | 16 | read/write | 0x0000 | 0xFFFFD |
| | | | | P000PFS_BY | P00%s Pin Function Control Register | 0x003 | 8 | read/write | 0x00 | 0xFD |
| | 8 | 0x4 | 1-8 | P00%sPFS | P00%s Pin Function Control Register | 0x004 | 32 | read/write | 0x0000 0000 | 0xFFFF FFFD |
| | 8 | 0x4 | 1-8 | P00%sPFS_HA | P00%s Pin Function Control Register | 0x006 | 16 | read/write | 0x0000 | 0xFFFFD |
| | 8 | 0x4 | 1-8 | P00%sPFS_BY | P00%s Pin Function Control Register | 0x007 | 8 | read/write | 0x00 | 0xFD |
| | 6 | 0x4 | 10-15 | P0%sPFS | P0%s Pin Function Control Register | 0x028 | 32 | read/write | 0x0000 0000 | 0xFFFF FFFD |
| | 6 | 0x4 | 10-15 | P0%sPFS_HA | P0%s Pin Function Control Register | 0x02A | 16 | read/write | 0x0000 | 0xFFFFD |
| | 6 | 0x4 | 10-15 | P0%sPFS_BY | P0%s Pin Function Control Register | 0x02B | 8 | read/write | 0x00 | 0xFD |
| | 8 | 0x4 | 0-7 | P10%sPFS | P10%s Pin Function Control Register | 0x040 | 32 | read/write | 0x0000 0000 | 0xFFFF FFFD |
| | 8 | 0x4 | 0-7 | P10%sPFS_HA | P10%s Pin Function Control Register | 0x042 | 16 | read/write | 0x0000 | 0xFFFFD |
| | 8 | 0x4 | 0-7 | P10%sPFS_BY | P10%s Pin Function Control Register | 0x043 | 8 | read/write | 0x00 | 0xFD |
| | - | - | - | P108PFS | P108 Pin Function Control Register | 0x060 | 32 | read/write | 0x0001 0010 | 0xFFFF FFFD |
| | | | | P108PFS_HA | P108 Pin Function Control Register | 0x062 | 16 | read/write | 0x0010 | 0xFFFFD |
| | | | | P108PFS_BY | P108 Pin Function Control Register | 0x063 | 8 | read/write | 0x10 | 0xFD |

Table 3.4 Register description (8 of 28)

| Peripheral name | Dim | Dim incr. | Dim index | Register name | Description | Address offset | Size | Access | Reset value | Reset mask |
|-----------------|-----|-----------|----------------------|---------------------------------------------|------------------------------------|----------------|------------|------------|-------------|------------|
| PFS | - | - | - | P109PFS | P109 Pin Function Control Register | 0x064 | 32 | read/write | 0x00010000 | 0xFFFFFFFD |
| | | | | P109PFS_HA | P109 Pin Function Control Register | 0x066 | 16 | read/write | 0x0000 | 0xFFFFD |
| | | | | P109PFS_BY | P109 Pin Function Control Register | 0x067 | 8 | read/write | 0x00 | 0xFD |
| | | | | P110PFS | P110 Pin Function Control Register | 0x068 | 32 | read/write | 0x00010010 | 0xFFFFFFFD |
| | | | | P110PFS_HA | P110 Pin Function Control Register | 0x06A | 16 | read/write | 0x0010 | 0xFFFFD |
| | | | | P110PFS_BY | P110 Pin Function Control Register | 0x06B | 8 | read/write | 0x10 | 0xFD |
| 5 | 0x4 | 11-15 | P1% <i>s</i> PFS | P1% <i>s</i> Pin Function Control Register | 0x06C | 32 | read/write | 0x00000000 | 0xFFFFFFFD | |
| 5 | 0x4 | 11-15 | P1% <i>s</i> PFS_HA | P1% <i>s</i> Pin Function Control Register | 0x06E | 16 | read/write | 0x0000 | 0xFFFFD | |
| 5 | 0x4 | 11-15 | P1% <i>s</i> PFS_BY | P1% <i>s</i> Pin Function Control Register | 0x06F | 8 | read/write | 0x00 | 0xFD | |
| - | - | - | P200PFS | P200 Pin Function Control Register | 0x080 | 32 | read/write | 0x00000000 | 0xFFFFFFFD | |
| | | | P200PFS_HA | P200 Pin Function Control Register | 0x082 | 16 | read/write | 0x0000 | 0xFFFFD | |
| | | | P200PFS_BY | P200 Pin Function Control Register | 0x083 | 8 | read/write | 0x00 | 0xFD | |
| | | | P201PFS | P201 Pin Function Control Register | 0x084 | 32 | read/write | 0x00000010 | 0xFFFFFFFD | |
| | | | P201PFS_HA | P201 Pin Function Control Register | 0x086 | 16 | read/write | 0x0010 | 0xFFFFD | |
| | | | P201PFS_BY | P201 Pin Function Control Register | 0x087 | 8 | read/write | 0x10 | 0xFD | |
| 5 | 0x4 | 2-6 | P20% <i>s</i> PFS | P20% <i>s</i> Pin Function Control Register | 0x088 | 32 | read/write | 0x00000000 | 0xFFFFFFFD | |
| 5 | 0x4 | 2-6 | P20% <i>s</i> PFS_HA | P20% <i>s</i> Pin Function Control Register | 0x08A | 16 | read/write | 0x0000 | 0xFFFFD | |
| 5 | 0x4 | 2-6 | P20% <i>s</i> PFS_BY | P20% <i>s</i> Pin Function Control Register | 0x08B | 8 | read/write | 0x00 | 0xFD | |
| 4 | 0x4 | 12-15 | P2% <i>s</i> PFS | P2% <i>s</i> Pin Function Control Register | 0x0B0 | 32 | read/write | 0x00000000 | 0xFFFFFFFD | |
| 4 | 0x4 | 12-15 | P2% <i>s</i> PFS_HA | P2% <i>s</i> Pin Function Control Register | 0x0B2 | 16 | read/write | 0x0000 | 0xFFFFD | |
| 4 | 0x4 | 12-15 | P2% <i>s</i> PFS_BY | P2% <i>s</i> Pin Function Control Register | 0x0B3 | 8 | read/write | 0x00 | 0xFD | |
| - | - | - | P300PFS | P300 Pin Function Control Register | 0x0C0 | 32 | read/write | 0x00010010 | 0xFFFFFFFD | |
| | | | P300PFS_HA | P300 Pin Function Control Register | 0x0C2 | 16 | read/write | 0x0010 | 0xFFFFD | |
| | | | P300PFS_BY | P300 Pin Function Control Register | 0x0C3 | 8 | read/write | 0x10 | 0xFD | |
| 7 | 0x4 | 1-7 | P30% <i>s</i> PFS | P30% <i>s</i> Pin Function Control Register | 0x0C4 | 32 | read/write | 0x00000000 | 0xFFFFFFFD | |
| 7 | 0x4 | 1-7 | P30% <i>s</i> PFS_HA | P30% <i>s</i> Pin Function Control Register | 0x0C6 | 16 | read/write | 0x0000 | 0xFFFFD | |

Table 3.4 Register description (9 of 28)

| Peripheral name | Dim | Dim incr. | Dim index | Register name | Description | Address offset | Size | Access | Reset value | Reset mask |
|-----------------|-----|-----------|------------|------------------------------------|------------------------------------|----------------|------------|------------|-------------|------------|
| PFS | 7 | 0x4 | 1-7 | P30%PFS_BY | P30% Pin Function Control Register | 0x0C7 | 8 | read/write | 0x00 | 0xFD |
| | 8 | 0x4 | 0-7 | P40%PFS | P40% Pin Function Control Register | 0x100 | 32 | read/write | 0x00000000 | 0xFFFFFFFD |
| | 8 | 0x4 | 0-7 | P40%PFS_HA | P40% Pin Function Control Register | 0x102 | 16 | read/write | 0x0000 | 0xFFFFD |
| | 8 | 0x4 | 0-7 | P40%PFS_BY | P40% Pin Function Control Register | 0x103 | 8 | read/write | 0x00 | 0xFD |
| | - | - | - | P408PFS | P408 Pin Function Control Register | 0x120 | 32 | read/write | 0x00000000 | 0xFFFFFFFD |
| | - | - | - | P408PFS_HA | P408 Pin Function Control Register | 0x122 | 16 | read/write | 0x0000 | 0xFFFFD |
| | - | - | - | P408PFS_BY | P408 Pin Function Control Register | 0x123 | 8 | read/write | 0x00 | 0xFD |
| | - | - | - | P409PFS | P409 Pin Function Control Register | 0x124 | 32 | read/write | 0x00000000 | 0xFFFFFFFD |
| | - | - | - | P409PFS_HA | P409 Pin Function Control Register | 0x126 | 16 | read/write | 0x0000 | 0xFFFFD |
| | - | - | - | P409PFS_BY | P409 Pin Function Control Register | 0x127 | 8 | read/write | 0x00 | 0xFD |
| | 6 | 0x4 | 10-15 | P4%PFS | P4% Pin Function Control Register | 0x128 | 32 | read/write | 0x00000000 | 0xFFFFFFFD |
| | 6 | 0x4 | 10-15 | P4%PFS_HA | P4% Pin Function Control Register | 0x12A | 16 | read/write | 0x0000 | 0xFFFFD |
| | 6 | 0x4 | 10-15 | P4%PFS_BY | P4% Pin Function Control Register | 0x12B | 8 | read/write | 0x00 | 0xFD |
| | 6 | 0x4 | 0-5 | P50%PFS | P50% Pin Function Control Register | 0x140 | 32 | read/write | 0x00000000 | 0xFFFFFFFD |
| | 6 | 0x4 | 0-5 | P50%PFS_HA | P50% Pin Function Control Register | 0x142 | 16 | read/write | 0x0000 | 0xFFFFD |
| | 6 | 0x4 | 0-5 | P50%PFS_BY | P50% Pin Function Control Register | 0x143 | 8 | read/write | 0x00 | 0xFD |
| | 4 | 0x4 | 0-3 | P60%PFS | P60% Pin Function Control Register | 0x180 | 32 | read/write | 0x00000000 | 0xFFFFFFFD |
| | 4 | 0x4 | 0-3 | P60%PFS_HA | P60% Pin Function Control Register | 0x182 | 16 | read/write | 0x0000 | 0xFFFFD |
| | 4 | 0x4 | 0-3 | P60%PFS_BY | P60% Pin Function Control Register | 0x183 | 8 | read/write | 0x00 | 0xFD |
| | 2 | 0x4 | 8-9 | P60%PFS | P60% Pin Function Control Register | 0x1A0 | 32 | read/write | 0x00000000 | 0xFFFFFFFD |
| | 2 | 0x4 | 8-9 | P60%PFS_HA | P60% Pin Function Control Register | 0x1A2 | 16 | read/write | 0x0000 | 0xFFFFD |
| | 2 | 0x4 | 8-9 | P60%PFS_BY | P60% Pin Function Control Register | 0x1A3 | 8 | read/write | 0x00 | 0xFD |
| | - | - | - | P610PFS | P610 Pin Function Control Register | 0x1A8 | 32 | read/write | 0x00000000 | 0xFFFFFFFD |
| | - | - | - | P610PFS_HA | P610 Pin Function Control Register | 0x1AA | 16 | read/write | 0x0000 | 0xFFFFD |
| - | - | - | P610PFS_BY | P610 Pin Function Control Register | 0x1AB | 8 | read/write | 0x00 | 0xFD | |
| - | - | - | P708PFS | P708 Pin Function Control Register | 0x1E0 | 32 | read/write | 0x00000000 | 0xFFFFFFFD | |

Table 3.4 Register description (10 of 28)

| Peripheral name | Dim | Dim incr. | Dim index | Register name | Description | Address offset | Size | Access | Reset value | Reset mask |
|-----------------|---------------|-----------|------------|------------------------------------|--------------------------------------------------|----------------|------------|------------|-------------|------------|
| PFS | - | - | - | P708PFS_HA | P708 Pin Function Control Register | 0x1E2 | 16 | read/write | 0x0000 | 0xFFFFD |
| | | | | P708PFS_BY | P708 Pin Function Control Register | 0x1E3 | 8 | read/write | 0x00 | 0xFD |
| | 2 | 0x4 | 8-9 | P80%sPFS | P80%s Pin Function Control Register | 0x220 | 32 | read/write | 0x00000000 | 0xFFFFFFFD |
| | 2 | 0x4 | 8-9 | P80%sPFS_HA | P80%s Pin Function Control Register | 0x222 | 16 | read/write | 0x0000 | 0xFFFFD |
| | 2 | 0x4 | 8-9 | P80%sPFS_BY | P80%s Pin Function Control Register | 0x223 | 8 | read/write | 0x00 | 0xFD |
| | 2 | 0x4 | 14,15 | P9%sPFS | P9%s Pin Function Control Register | 0x278 | 32 | read/write | 0x00010000 | 0xFFFFFFFD |
| | 2 | 0x4 | 14,15 | P9%sPFS_HA | P9%s Pin Function Control Register | 0x27A | 16 | read/write | 0x0000 | 0xFFFFD |
| 2 | 0x4 | 14,15 | P9%sPFS_BY | P9%s Pin Function Control Register | 0x27B | 8 | read/write | 0x00 | 0xFD | |
| PMISC | - | - | - | PWPR | Write-Protect Register | 0x03 | 8 | read/write | 0x80 | 0xFF |
| ELC | - | - | - | ELCR | Event Link Controller Register | 0x00 | 8 | read/write | 0x00 | 0xFF |
| | 2 | 0x2 | 0,1 | ELSEGR%s | Event Link Software Event Generation Register %s | 0x02 | 8 | read/write | 0x80 | 0xFF |
| | 10 | 0x4 | 0-9 | ELSR%s | Event Link Setting Register %s | 0x10 | 16 | read/write | 0x0000 | 0xFFFFF |
| | - | - | - | ELSR12 | Event Link Setting Register 12 | 0x40 | 16 | read/write | 0x0000 | 0xFFFFF |
| | 5 | 0x4 | 14-18 | ELSR%s | Event Link Setting Register %s | 0x48 | 16 | read/write | 0x0000 | 0xFFFFF |
| POEG | 2 | 0x100 | A,B | POEGG%s | POEG Group %s Setting Register | 0x00 | 32 | read/write | 0x00000000 | 0xFFFFFFF |
| RTC | - | - | - | R64CNT | 64-Hz Counter | 0x00 | 8 | read-only | 0x00 | 0x80 |
| | | | | RSECCNT | Second Counter | 0x02 | 8 | read/write | 0x00 | 0x00 |
| | | | | BCNT0 | Binary Counter 0 | 0x02 | 8 | read/write | 0x00 | 0x00 |
| | | | | RMINCNT | Minute Counter | 0x04 | 8 | read/write | 0x00 | 0x00 |
| | | | | BCNT1 | Binary Counter 1 | 0x04 | 8 | read/write | 0x00 | 0x00 |
| | | | | RHRCNT | Hour Counter | 0x06 | 8 | read/write | 0x00 | 0x00 |
| | | | | BCNT2 | Binary Counter 2 | 0x06 | 8 | read/write | 0x00 | 0x00 |
| | | | | RWKCNT | Day-of-Week Counter | 0x08 | 8 | read/write | 0x00 | 0x00 |
| | | | | BCNT3 | Binary Counter 3 | 0x08 | 8 | read/write | 0x00 | 0x00 |
| | | | | RDAYCNT | Day Counter | 0x0A | 8 | read/write | 0x00 | 0xC0 |
| RMONCNT | Month Counter | 0x0C | 8 | read/write | 0x00 | 0xE0 | | | | |

Table 3.4 Register description (11 of 28)

| Peripheral name | Dim | Dim incr. | Dim index | Register name | Description | Address offset | Size | Access | Reset value | Reset mask |
|-----------------|------|-----------|-----------|----------------------------|----------------------------------------|----------------|-----------|----------------------------------|-------------|------------|
| RTC | - | - | - | RYRCNT | Year Counter | 0x0E | 16 | read/write | 0x0000 | 0xFF00 |
| | | | | RSECAR | Second Alarm Register | 0x10 | 8 | read/write | 0x00 | 0x00 |
| | | | | BCNT0AR | Binary Counter 0 Alarm Register | 0x10 | 8 | read/write | 0x00 | 0x00 |
| | | | | RMINAR | Minute Alarm Register | 0x12 | 8 | read/write | 0x00 | 0x00 |
| | | | | BCNT1AR | Binary Counter 1 Alarm Register | 0x12 | 8 | read/write | 0x00 | 0x00 |
| | | | | RHRAR | Hour Alarm Register | 0x14 | 8 | read/write | 0x00 | 0x00 |
| | | | | BCNT2AR | Binary Counter 2 Alarm Register | 0x14 | 8 | read/write | 0x00 | 0x00 |
| | | | | RWKAR | Day-of-Week Alarm Register | 0x16 | 8 | read/write | 0x00 | 0x00 |
| | | | | BCNT3AR | Binary Counter 3 Alarm Register | 0x16 | 8 | read/write | 0x00 | 0x00 |
| | | | | RDAYAR | Date Alarm Register | 0x18 | 8 | read/write | 0x00 | 0x00 |
| | | | | BCNT0AER | Binary Counter 0 Alarm Enable Register | 0x18 | 8 | read/write | 0x00 | 0x00 |
| | | | | RMONAR | Month Alarm Register | 0x1A | 8 | read/write | 0x00 | 0x00 |
| | | | | BCNT1AER | Binary Counter 1 Alarm Enable Register | 0x1A | 8 | read/write | 0x00 | 0x00 |
| | | | | RYRAR | Year Alarm Register | 0x1C | 16 | read/write | 0x0000 | 0xFF00 |
| | | | | BCNT2AER | Binary Counter 2 Alarm Enable Register | 0x1C | 16 | read/write | 0x0000 | 0xFF00 |
| | | | | RYRAREN | Year Alarm Enable Register | 0x1E | 8 | read/write | 0x00 | 0x00 |
| | | | | BCNT3AER | Binary Counter 3 Alarm Enable Register | 0x1E | 8 | read/write | 0x00 | 0x00 |
| | | | | RCR1 | RTC Control Register 1 | 0x22 | 8 | read/write | 0x00 | 0x0A |
| | | | | RCR2 | RTC Control Register 2 | 0x24 | 8 | read/write | 0x00 | 0x0E |
| | | | | RCR4 | RTC Control Register 4 | 0x28 | 8 | read/write | 0x00 | 0xFE |
| | | | | RFRH | Frequency Register H | 0x2A | 16 | read/write | 0x0000 | 0xFFFFE |
| | | | | RFRL | Frequency Register L | 0x2C | 16 | read/write | 0x0000 | 0x0000 |
| | | | | RADJ | Time Error Adjustment Register | 0x2E | 8 | read/write | 0x00 | 0x00 |
| | | | | 3 | 0x2 | 0-2 | RTCCR%s | Time Capture Control Register %s | 0x40 | 8 |
| 3 | 0x10 | 0-2 | RSECCP%s | Second Capture Register %s | 0x52 | 8 | read-only | 0x00 | 0x00 | |
| 3 | 0x10 | 0-2 | BCNT0CP%s | BCNT0 Capture Register %s | 0x52 | 8 | read-only | 0x00 | 0x00 | |

Table 3.4 Register description (12 of 28)

| Peripheral name | Dim | Dim incr. | Dim index | Register name | Description | Address offset | Size | Access | Reset value | Reset mask |
|-----------------|-----|-----------|-----------|---------------|----------------------------------------|----------------|------|------------|-------------|-------------|
| RTC | 3 | 0x10 | 0-2 | RMINCP%s | Minute Capture Register %s | 0x54 | 8 | read-only | 0x00 | 0x00 |
| | 3 | 0x10 | 0-2 | BCNT1CP%s | BCNT1 Capture Register %s | 0x54 | 8 | read-only | 0x00 | 0x00 |
| | 3 | 0x10 | 0-2 | RHRCP%s | Hour Capture Register %s | 0x56 | 8 | read-only | 0x00 | 0x00 |
| | 3 | 0x10 | 0-2 | BCNT2CP%s | BCNT2 Capture Register %s | 0x56 | 8 | read-only | 0x00 | 0x00 |
| | 3 | 0x10 | 0-2 | RDAYCP%s | Date Capture Register %s | 0x5A | 8 | read-only | 0x00 | 0x00 |
| | 3 | 0x10 | 0-2 | BCNT3CP%s | BCNT3 Capture Register %s | 0x5A | 8 | read-only | 0x00 | 0x00 |
| | 3 | 0x10 | 0-2 | RMONCP%s | Month Capture Register %s | 0x5C | 8 | read-only | 0x00 | 0x00 |
| WDT | - | - | - | WDTRR | WDT Refresh Register | 0x00 | 8 | read/write | 0xFF | 0xFF |
| | - | - | - | WDTCR | WDT Control Register | 0x02 | 16 | read/write | 0x33F3 | 0xFFFF |
| | - | - | - | WDTSR | WDT Status Register | 0x04 | 16 | read/write | 0x0000 | 0xFFFF |
| | - | - | - | WDTRCR | WDT Reset Control Register | 0x06 | 8 | read/write | 0x80 | 0xFF |
| | - | - | - | WDCSTPR | WDT Count Stop Control Register | 0x08 | 8 | read/write | 0x80 | 0xFF |
| IWDT | - | - | - | IWDTRR | IWDT Refresh Register | 0x00 | 8 | read/write | 0xFF | 0xFF |
| | - | - | - | IWDTSR | IWDT Status Register | 0x04 | 16 | read/write | 0x0000 | 0xFFFF |
| CAC | - | - | - | CACR0 | CAC Control Register 0 | 0x00 | 8 | read/write | 0x00 | 0xFF |
| | - | - | - | CACR1 | CAC Control Register 1 | 0x01 | 8 | read/write | 0x00 | 0xFF |
| | - | - | - | CACR2 | CAC Control Register 2 | 0x02 | 8 | read/write | 0x00 | 0xFF |
| | - | - | - | CAICR | CAC Interrupt Control Register | 0x03 | 8 | read/write | 0x00 | 0xFF |
| | - | - | - | CASTR | CAC Status Register | 0x04 | 8 | read-only | 0x00 | 0xFF |
| | - | - | - | CAULVR | CAC Upper-Limit Value Setting Register | 0x06 | 16 | read/write | 0x0000 | 0xFFFF |
| | - | - | - | CALLVR | CAC Lower-Limit Value Setting Register | 0x08 | 16 | read/write | 0x0000 | 0xFFFF |
| | - | - | - | CACNTBR | CAC Counter Buffer Register | 0x0A | 16 | read-only | 0x0000 | 0xFFFF |
| MSTP | - | - | - | MSTPCRB | Module Stop Control Register B | 0x00 | 32 | read/write | 0xFFFF FFFF | 0xFFFF FFFF |
| | - | - | - | MSTPCRC | Module Stop Control Register C | 0x04 | 32 | read/write | 0xFFFF FFFF | 0xFFFF FFFF |
| | - | - | - | MSTPCRD | Module Stop Control Register D | 0x08 | 32 | read/write | 0xFFFF FFFF | 0xFFFF FFFF |
| SSIE0 | - | - | - | SSICR | Control Register | 0x00 | 32 | read/write | 0x0000 0000 | 0xFFFF FFFF |

Table 3.4 Register description (13 of 28)

| Peripheral name | Dim | Dim incr. | Dim index | Register name | Description | Address offset | Size | Access | Reset value | Reset mask |
|-----------------|-----|-----------|-------------|---------------------------------------------------------|------------------------------------|----------------|------------|----------------|----------------|----------------|
| SSIE0 | - | - | - | SSISR | Status Register | 0x04 | 32 | read/write | 0x0200 0000 | 0xFFFF FFFF |
| | | | | SSIFCR | FIFO Control Register | 0x10 | 32 | read/write | 0x0000 0000 | 0xFFFF FFFF |
| | | | | SSIFSR | FIFO Status Register | 0x14 | 32 | read/write | 0x0001 0000 | 0xFFFF FFFF |
| | | | | SSIFTDR | Transmit FIFO Data Register | 0x18 | 32 | write-only | 0x0000 0000 | 0x0000 0000 |
| | | | | SSIFRDR | Receive FIFO Data Register | 0x1C | 32 | read-only | 0x0000 0000 | 0x0000 0000 |
| | | | | SSITDMR | TDM Mode Register | 0x20 | 32 | read/write | 0x0000 0000 | 0xFFFF FFFF |
| | | | | SSISCR | Status Control Register | 0x24 | 32 | read/write | 0x0000 0000 | 0xFFFF FFFF |
| CAN0 | 32 | 0x10 | 0-31 | MB%s_ID | Mailbox Register | 0x200 | 32 | read/write | 0x0000 0000 | 0x0000 0000 |
| | 32 | 0x10 | 0-31 | MB%s_DL | Mailbox Register | 0x204 | 16 | read/write | 0x0000 | 0x0000 |
| | 32 | 0x10 | 0-31 | MB%s_D0 | Mailbox Register | 0x206 | 8 | read/write | 0x00 | 0x00 |
| | 32 | 0x10 | 0-31 | MB%s_D1 | Mailbox Register | 0x207 | 8 | read/write | 0x00 | 0x00 |
| | 32 | 0x10 | 0-31 | MB%s_D2 | Mailbox Register | 0x208 | 8 | read/write | 0x00 | 0x00 |
| | 32 | 0x10 | 0-31 | MB%s_D3 | Mailbox Register | 0x209 | 8 | read/write | 0x00 | 0x00 |
| | 32 | 0x10 | 0-31 | MB%s_D4 | Mailbox Register | 0x20A | 8 | read/write | 0x00 | 0x00 |
| | 32 | 0x10 | 0-31 | MB%s_D5 | Mailbox Register | 0x20B | 8 | read/write | 0x00 | 0x00 |
| | 32 | 0x10 | 0-31 | MB%s_D6 | Mailbox Register | 0x20C | 8 | read/write | 0x00 | 0x00 |
| | 32 | 0x10 | 0-31 | MB%s_D7 | Mailbox Register | 0x20D | 8 | read/write | 0x00 | 0x00 |
| | 32 | 0x10 | 0-31 | MB%s_TS | Mailbox Register | 0x20E | 16 | read/write | 0x0000 | 0x0000 |
| | 8 | 0x4 | 0-7 | MKR[%s] | Mask Register | 0x400 | 32 | read/write | 0x0000 0000 | 0x0000 0000 |
| | 2 | 0x4 | 0,1 | FIDCR%s | FIFO Received ID Compare Registers | 0x420 | 32 | read/write | 0x0000 0000 | 0x0000 0000 |
| | - | - | - | MKIVLR | Mask Invalid Register | 0x428 | 32 | read/write | 0x0000 0000 | 0x0000 0000 |
| | | | | MIER | Mailbox Interrupt Enable Register | 0x42C | 32 | read/write | 0x0000 0000 | 0x0000 0000 |
| MIER_FIFO | | | | Mailbox Interrupt Enable Register for FIFO Mailbox Mode | 0x42C | 32 | read/write | 0x0000 0000 | 0x0000 0000 | |
| 32 | 0x1 | 0-31 | MCTL_TX[%s] | Message Control Register for Transmit | 0x820 | 8 | read/write | 0x00 | 0xFF | |
| 32 | 0x1 | 0-31 | MCTL_RX[%s] | Message Control Register for Receive | 0x820 | 8 | read/write | 0x00 | 0xFF | |
| - | - | - | CTLR | Control Register | 0x840 | 16 | read/write | 0x0500 | 0xFFFF | |

Table 3.4 Register description (14 of 28)

| Peripheral name | Dim | Dim incr. | Dim index | Register name | Description | Address offset | Size | Access | Reset value | Reset mask |
|-----------------|-----------------------|-----------|-----------|---------------|------------------------------------------------|----------------|------|------------|-------------|-------------|
| CAN0 | - | - | - | STR | Status Register | 0x842 | 16 | read-only | 0x0500 | 0xFFFF |
| | | | | BCR | Bit Configuration Register | 0x844 | 32 | read/write | 0x00000000 | 0xFFFF FFFF |
| | | | | RFCR | Receive FIFO Control Register | 0x848 | 8 | read/write | 0x80 | 0xFF |
| | | | | RFPCR | Receive FIFO Pointer Control Register | 0x849 | 8 | write-only | 0x00 | 0x00 |
| | | | | TFCR | Transmit FIFO Control Register | 0x84A | 8 | read/write | 0x80 | 0xFF |
| | | | | TFPCR | Transmit FIFO Pointer Control Register | 0x84B | 8 | write-only | 0x00 | 0x00 |
| | | | | EIER | Error Interrupt Enable Register | 0x84C | 8 | read/write | 0x00 | 0xFF |
| | | | | EIFR | Error Interrupt Factor Judge Register | 0x84D | 8 | read/write | 0x00 | 0xFF |
| | | | | RECR | Receive Error Count Register | 0x84E | 8 | read-only | 0x00 | 0xFF |
| | | | | TECR | Transmit Error Count Register | 0x84F | 8 | read-only | 0x00 | 0xFF |
| | | | | ECSR | Error Code Store Register | 0x850 | 8 | read/write | 0x00 | 0xFF |
| | | | | CSSR | Channel Search Support Register | 0x851 | 8 | read/write | 0x00 | 0x00 |
| | | | | MSSR | Mailbox Search Status Register | 0x852 | 8 | read-only | 0x80 | 0xFF |
| | | | | MSMR | Mailbox Search Mode Register | 0x853 | 8 | read/write | 0x00 | 0xFF |
| | | | | TSR | Time Stamp Register | 0x854 | 16 | read-only | 0x0000 | 0xFFFF |
| | | | | AFSR | Acceptance Filter Support Register | 0x856 | 16 | read/write | 0x0000 | 0x0000 |
| TCR | Test Control Register | 0x858 | 8 | read/write | 0x00 | 0xFF | | | | |
| IIC0 | - | - | - | ICCR1 | I ² C Bus Control Register 1 | 0x00 | 8 | read/write | 0x1F | 0xFF |
| | | | | ICCR2 | I ² C Bus Control Register 2 | 0x01 | 8 | read/write | 0x00 | 0xFF |
| | | | | ICMR1 | I ² C Bus Mode Register 1 | 0x02 | 8 | read/write | 0x08 | 0xFF |
| | | | | ICMR2 | I ² C Bus Mode Register 2 | 0x03 | 8 | read/write | 0x06 | 0xFF |
| | | | | ICMR3 | I ² C Bus Mode Register 3 | 0x04 | 8 | read/write | 0x00 | 0xFF |
| | | | | ICFER | I ² C Bus Function Enable Register | 0x05 | 8 | read/write | 0x72 | 0xFF |
| | | | | ICSER | I ² C Bus Status Enable Register | 0x06 | 8 | read/write | 0x09 | 0xFF |
| | | | | ICIER | I ² C Bus Interrupt Enable Register | 0x07 | 8 | read/write | 0x00 | 0xFF |
| | | | | ICSR1 | I ² C Bus Status Register 1 | 0x08 | 8 | read/write | 0x00 | 0xFF |

Table 3.4 Register description (15 of 28)

| Peripheral name | Dim | Dim incr. | Dim index | Register name | Description | Address offset | Size | Access | Reset value | Reset mask |
|-----------------|----------------------------------------------|-----------|-----------|---------------------------------------------|---------------------------------------------------|----------------|------------|------------|-------------|------------|
| IIC0 | - | - | - | ICSR2 | I ² C Bus Status Register 2 | 0x09 | 8 | read/write | 0x00 | 0xFF |
| | 3 | 0x2 | 0-2 | SARL%s | Slave Address Register L%s | 0x0A | 8 | read/write | 0x00 | 0xFF |
| | 3 | 0x2 | 0-2 | SARU%s | Slave Address Register U%s | 0x0B | 8 | read/write | 0x00 | 0xFF |
| | - | - | - | ICBRL | I ² C Bus Bit Rate Low-Level Register | 0x10 | 8 | read/write | 0xFF | 0xFF |
| | | | | ICBRH | I ² C Bus Bit Rate High-Level Register | 0x11 | 8 | read/write | 0xFF | 0xFF |
| | | | | ICDRT | I ² C Bus Transmit Data Register | 0x12 | 8 | read/write | 0xFF | 0xFF |
| | | | | ICDRR | I ² C Bus Receive Data Register | 0x13 | 8 | read-only | 0x00 | 0xFF |
| ICWUR | | | | I ² C Bus Wake Up Unit Register | 0x16 | 8 | read/write | 0x10 | 0xFF | |
| ICWUR2 | I ² C Bus Wake up Unit Register 2 | 0x17 | 8 | read/write | 0xFD | 0xFF | | | | |
| IIC1 | - | - | - | ICCR1 | I ² C Bus Control Register 1 | 0x00 | 8 | read/write | 0x1F | 0xFF |
| | | | | ICCR2 | I ² C Bus Control Register 2 | 0x01 | 8 | read/write | 0x00 | 0xFF |
| | | | | ICMR1 | I ² C Bus Mode Register 1 | 0x02 | 8 | read/write | 0x08 | 0xFF |
| | | | | ICMR2 | I ² C Bus Mode Register 2 | 0x03 | 8 | read/write | 0x06 | 0xFF |
| | | | | ICMR3 | I ² C Bus Mode Register 3 | 0x04 | 8 | read/write | 0x00 | 0xFF |
| | | | | ICFER | I ² C Bus Function Enable Register | 0x05 | 8 | read/write | 0x72 | 0xFF |
| | | | | ICSER | I ² C Bus Status Enable Register | 0x06 | 8 | read/write | 0x09 | 0xFF |
| | | | | ICIER | I ² C Bus Interrupt Enable Register | 0x07 | 8 | read/write | 0x00 | 0xFF |
| | | | | ICSR1 | I ² C Bus Status Register 1 | 0x08 | 8 | read/write | 0x00 | 0xFF |
| | | | | ICSR2 | I ² C Bus Status Register 2 | 0x09 | 8 | read/write | 0x00 | 0xFF |
| | 3 | 0x2 | 0-2 | SARL%s | Slave Address Register L%s | 0x0A | 8 | read/write | 0x00 | 0xFF |
| | 3 | 0x2 | 0-2 | SARU%s | Slave Address Register U%s | 0x0B | 8 | read/write | 0x00 | 0xFF |
| | - | - | - | ICBRL | I ² C Bus Bit Rate Low-Level Register | 0x10 | 8 | read/write | 0xFF | 0xFF |
| | | | | ICBRH | I ² C Bus Bit Rate High-Level Register | 0x11 | 8 | read/write | 0xFF | 0xFF |
| ICDRT | | | | I ² C Bus Transmit Data Register | 0x12 | 8 | read/write | 0xFF | 0xFF | |
| ICDRR | | | | I ² C Bus Receive Data Register | 0x13 | 8 | read/write | 0x00 | 0xFF | |
| DOC | - | - | - | DOCR | DOC Control Register | 0x00 | 8 | read/write | 0x00 | 0xFF |

Table 3.4 Register description (16 of 28)

| Peripheral name | Dim | Dim incr. | Dim index | Register name | Description | Address offset | Size | Access | Reset value | Reset mask | | | |
|-----------------|---------------------------------------------------------------------|-----------|-----------|---------------|----------------------------------------------------------------|----------------|------------|----------------------------------------------|-------------|------------|------------|--------|--------|
| DOC | - | - | - | DODIR | DOC Data Input Register | 0x02 | 16 | read/write | 0x0000 | 0xFFFF | | | |
| | | | | DODSR | DOC Data Setting Register | 0x04 | 16 | read/write | 0x0000 | 0xFFFF | | | |
| ADC140 | - | - | - | ADCSR | A/D Control Register | 0x000 | 16 | read/write | 0x0000 | 0xFFFF | | | |
| | | | | ADANSA0 | A/D Channel Select Register A0 | 0x004 | 16 | read/write | 0x0000 | 0xFFFF | | | |
| | | | | ADANSA1 | A/D Channel Select Register A1 | 0x006 | 16 | read/write | 0x0000 | 0xFFFF | | | |
| | | | | ADADS0 | A/D-Converted Value Addition/Average Channel Select Register 0 | 0x008 | 16 | read/write | 0x0000 | 0xFFFF | | | |
| | | | | ADADS1 | A/D-Converted Value Addition/Average Channel Select Register 1 | 0x00A | 16 | read/write | 0x0000 | 0xFFFF | | | |
| | | | | ADADC | A/D-Converted Value Addition/Average Count Select Register | 0x00C | 8 | read/write | 0x00 | 0xFF | | | |
| | | | | ADCER | A/D Control Extended Register | 0x00E | 16 | read/write | 0x0000 | 0xFFFF | | | |
| | | | | ADSTRGR | A/D Conversion Start Trigger Select Register | 0x010 | 16 | read/write | 0x0000 | 0xFFFF | | | |
| | | | | ADEXICR | A/D Conversion Extended Input Control Register | 0x012 | 16 | read/write | 0x0000 | 0xFFFF | | | |
| | | | | ADANSB0 | A/D Channel Select Register B0 | 0x014 | 16 | read/write | 0x0000 | 0xFFFF | | | |
| | | | | ADANSB1 | A/D Channel Select Register B1 | 0x016 | 16 | read/write | 0x0000 | 0xFFFF | | | |
| | | | | ADDBLDR | A/D Data Duplication Register | 0x018 | 16 | read-only | 0x0000 | 0xFFFF | | | |
| | | | | ADTSDR | A/D Temperature Sensor Data Register | 0x01A | 16 | read-only | 0x0000 | 0xFFFF | | | |
| | | | | ADOCDR | A/D Internal Reference Voltage Data Register | 0x01C | 16 | read-only | 0x0000 | 0xFFFF | | | |
| | | | | ADRD | A/D Self-Diagnosis Data Register | 0x01E | 16 | read-only | 0x0000 | 0xFFFF | | | |
| | | | | 15 | 0x2 | 0-14 | ADDR%s | A/D Data Register %s | 0x020 | 16 | read-only | 0x0000 | 0xFFFF |
| | | | | 10 | 0x2 | 16-25 | ADDR%s | A/D Data Register %s | 0x040 | 16 | read/write | 0x0000 | 0xFFFF |
| | | | | - | - | - | ADDISCR | A/D Disconnection Detection Control Register | 0x07A | 8 | read/write | 0x00 | 0xFF |
| | | | | | | | ADGSPCR | A/D Group Scan Priority Control Register | 0x080 | 16 | read/write | 0x0000 | 0xFFFF |
| | | | | | | | ADDBLDRA | A/D Data Duplexing Register A | 0x084 | 16 | read-only | 0x0000 | 0xFFFF |
| ADDBLDRB | A/D Data Duplexing Register B | 0x086 | 16 | | | | read-only | 0x0000 | 0xFFFF | | | | |
| ADHVREFCNT | A/D High-Potential/Low-Potential Reference Voltage Control Register | 0x08A | 8 | | | | read/write | 0x00 | 0xFF | | | | |

Table 3.4 Register description (17 of 28)

| Peripheral name | Dim | Dim incr. | Dim index | Register name | Description | Address offset | Size | Access | Reset value | Reset mask |
|-----------------|-----|-----------|-----------|---------------|------------------------------------------------------------------------------------|----------------|------|------------|-------------|------------|
| ADC140 | - | - | - | ADWINMON | A/D Compare Function Window A/B Status Monitor Register | 0x08C | 8 | read-only | 0x00 | 0xFF |
| | | | | ADCMPCR | A/D Compare Function Control Register | 0x090 | 16 | read/write | 0x0000 | 0xFFFF |
| | | | | ADCMPSER | A/D Compare Function Window A Extended Input Select Register | 0x092 | 8 | read/write | 0x00 | 0xFF |
| | | | | ADCMPLER | A/D Compare Function Window A Extended Input Comparison Condition Setting Register | 0x093 | 8 | read/write | 0x00 | 0xFF |
| | | | | ADCMPSR0 | A/D Compare Function Window A Channel Select Register 0 | 0x094 | 16 | read/write | 0x0000 | 0xFFFF |
| | | | | ADCMPSR1 | A/D Compare Function Window A Channel Select Register 1 | 0x096 | 16 | read/write | 0x0000 | 0xFFFF |
| | | | | ADCMPLR0 | A/D Compare Function Window A Comparison Condition Setting Register 0 | 0x098 | 16 | read/write | 0x0000 | 0xFFFF |
| | | | | ADCMPLR1 | A/D Compare Function Window A Comparison Condition Setting Register 1 | 0x09A | 16 | read/write | 0x0000 | 0xFFFF |
| | | | | ADCMPCR0 | A/D Compare Function Window A Lower-Side Level Setting Register | 0x09C | 16 | read/write | 0x0000 | 0xFFFF |
| | | | | ADCMPCR1 | A/D Compare Function Window A Upper-Side Level Setting Register | 0x09E | 16 | read/write | 0x0000 | 0xFFFF |
| | | | | ADCMPSR0 | A/D Compare Function Window A Channel Status Register 0 | 0x0A0 | 16 | read/write | 0x0000 | 0xFFFF |
| | | | | ADCMPSR1 | A/D Compare Function Window A Channel Status Register 1 | 0x0A2 | 16 | read/write | 0x0000 | 0xFFFF |
| | | | | ADCMPSER | A/D Compare Function Window A Extended Input Channel Status Register | 0x0A4 | 8 | read/write | 0x00 | 0xFF |
| | | | | ADCMPSR | A/D Compare Function Window B Channel Selection Register | 0x0A6 | 8 | read/write | 0x00 | 0xFF |
| | | | | ADWINLLB | A/D Compare Function Window B Lower-Side Level Setting Register | 0x0A8 | 16 | read/write | 0x0000 | 0xFFFF |
| | | | | ADWINULB | A/D Compare Function Window B Upper-Side Level Setting Register | 0x0AA | 16 | read/write | 0x0000 | 0xFFFF |
| | | | | ADCMPSR | A/D Compare Function Window B Status Register | 0x0AC | 8 | read/write | 0x00 | 0xFF |
| | | | | ADSSTRL | A/D Sampling State Register L | 0x0DD | 8 | read/write | 0x0D | 0xFF |
| | | | | ADSSTRT | A/D Sampling State Register T | 0x0DE | 8 | read/write | 0x0D | 0xFF |

Table 3.4 Register description (18 of 28)

| Peripheral name | Dim | Dim incr. | Dim index | Register name | Description | Address offset | Size | Access | Reset value | Reset mask |
|-----------------|-----|-----------|-----------|----------------------------------|-----------------------------------------------------|----------------|------------|------------|-------------|------------|
| ADC140 | - | - | - | ADSSTRO | A/D Sampling State Register 0 | 0x0DF | 8 | read/write | 0x0D | 0xFF |
| | 15 | 0x1 | 0-14 | ADSSTR%s | A/D Sampling State Register %s | 0x0E0 | 8 | read/write | 0x0D | 0xFF |
| DAC12 | - | - | - | DADR0 | D/A Data Register 0 | 0x00 | 16 | read/write | 0x0000 | 0xFFFF |
| | | | | DACR | D/A Control Register | 0x04 | 8 | read/write | 0x1F | 0xFF |
| | | | | DADPR | DADR0 Format Select Register | 0x05 | 8 | read/write | 0x00 | 0xFF |
| | | | | DAADSCR | D/A-A/D Synchronous Start Control Register | 0x06 | 8 | read/write | 0x00 | 0xFF |
| | | | | DAVREFCR | D/A VREF Control Register | 0x07 | 8 | read/write | 0x00 | 0xFF |
| SCI0,1 | - | - | - | SMR | Serial Mode Register (SCMR.SMIF = 0) | 0x00 | 8 | read/write | 0x00 | 0xFF |
| | | | | SMR_SMCI | Serial Mode Register (SCMR.SMIF = 1) | 0x00 | 8 | read/write | 0x00 | 0xFF |
| | | | | BRR | Bit Rate Register | 0x01 | 8 | read/write | 0xFF | 0xFF |
| | | | | SCR | Serial Control Register (SCMR.SMIF = 0) | 0x02 | 8 | read/write | 0x00 | 0xFF |
| | | | | SCR_SMCI | Serial Control Register (SCMR.SMIF = 1) | 0x02 | 8 | read/write | 0x00 | 0xFF |
| | | | | TDR | Transmit Data Register | 0x03 | 8 | read/write | 0xFF | 0xFF |
| | | | | SSR | Serial Status Register (SCMR.SMIF = 0 and FCR.FM=0) | 0x04 | 8 | read/write | 0x84 | 0xFF |
| | | | | SSR_FIFO | Serial Status Register (SCMR.SMIF = 0 and FCR.FM=1) | 0x04 | 8 | read/write | 0x80 | 0xFD |
| | | | | SSR_SMCI | Serial Status Register (SCMR.SMIF = 1) | 0x04 | 8 | read/write | 0x84 | 0xFF |
| | | | | RDR | Receive Data Register | 0x05 | 8 | read-only | 0x00 | 0xFF |
| | | | | SCMR | Smart Card Mode Register | 0x06 | 8 | read/write | 0xF2 | 0xFF |
| | | | | SEMR | Serial Extended Mode Register | 0x07 | 8 | read/write | 0x00 | 0xFF |
| | | | | SNFR | Noise Filter Setting Register | 0x08 | 8 | read/write | 0x00 | 0xFF |
| | | | | SIMR1 | I ² C Mode Register 1 | 0x09 | 8 | read/write | 0x00 | 0xFF |
| | | | | SIMR2 | I ² C Mode Register 2 | 0x0A | 8 | read/write | 0x00 | 0xFF |
| | | | | SIMR3 | I ² C Mode Register 3 | 0x0B | 8 | read/write | 0x00 | 0xFF |
| | | | SISR | I ² C Status Register | 0x0C | 8 | read-only | 0x00 | 0xCB | |
| | | | SPMR | SPI Mode Register | 0x0D | 8 | read/write | 0x00 | 0xFF | |
| | | | TDRHL | Transmit 9-bit Data Register | 0x0E | 16 | read/write | 0xFFFF | 0xFFFF | |

Table 3.4 Register description (19 of 28)

| Peripheral name | Dim | Dim incr. | Dim index | Register name | Description | Address offset | Size | Access | Reset value | Reset mask |
|-----------------|-----|-----------|-----------|---------------|-----------------------------------------------------|----------------|------|------------|-------------|------------|
| SCI0,1 | - | - | - | FTDRHL | Transmit FIFO Data Register HL | 0x0E | 16 | write-only | 0xFFFF | 0xFFFF |
| | | | | FTDRH | Transmit FIFO Data Register H | 0x0E | 8 | write-only | 0xFF | 0xFF |
| | | | | FTDRL | Transmit FIFO Data Register L | 0x0F | 8 | write-only | 0xFF | 0xFF |
| | | | | RDRHL | Receive 9-bit Data Register | 0x10 | 16 | read-only | 0x0000 | 0xFFFF |
| | | | | FRDRHL | Receive FIFO Data Register HL | 0x10 | 16 | read-only | 0x0000 | 0xFFFF |
| | | | | FRDRH | Receive FIFO Data Register H | 0x10 | 8 | read-only | 0x00 | 0xFF |
| | | | | FRDRL | Receive FIFO Data Register L | 0x11 | 8 | read-only | 0x00 | 0xFF |
| | | | | MDDR | Modulation Duty Register | 0x12 | 8 | read/write | 0xFF | 0xFF |
| | | | | DCCR | Data Compare Match Control Register | 0x13 | 8 | read/write | 0x40 | 0xFF |
| | | | | FCR | FIFO Control Register | 0x14 | 16 | read/write | 0xF800 | 0xFFFF |
| | | | | FDR | FIFO Data Count Register | 0x16 | 16 | read-only | 0x0000 | 0xFFFF |
| | | | | LSR | Line Status Register | 0x18 | 16 | read-only | 0x0000 | 0xFFFF |
| | | | | CDR | Compare Match Data Register | 0x1A | 16 | read/write | 0x0000 | 0xFFFF |
| | | | | SPTR | Serial Port Register | 0x1C | 8 | read/write | 0x03 | 0xFF |
| SCI2,9 | - | - | - | SMR | Serial Mode Register (SCMR.SMIF = 0) | 0x00 | 8 | read/write | 0x00 | 0xFF |
| | | | | SMR_SMCI | Serial Mode Register (SCMR.SMIF = 1) | 0x00 | 8 | read/write | 0x00 | 0xFF |
| | | | | BRR | Bit Rate Register | 0x01 | 8 | read/write | 0xFF | 0xFF |
| | | | | SCR | Serial Control Register (SCMR.SMIF = 0) | 0x02 | 8 | read/write | 0x00 | 0xFF |
| | | | | SCR_SMCI | Serial Control Register (SCMR.SMIF = 1) | 0x02 | 8 | read/write | 0x00 | 0xFF |
| | | | | TDR | Transmit Data Register | 0x03 | 8 | read/write | 0xFF | 0xFF |
| | | | | SSR | Serial Status Register (SCMR.SMIF = 0 and FCR.FM=0) | 0x04 | 8 | read/write | 0x84 | 0xFF |
| | | | | SSR_SMCI | Serial Status Register (SCMR.SMIF = 1) | 0x04 | 8 | read/write | 0x84 | 0xFF |
| | | | | RDR | Receive Data Register | 0x05 | 8 | read-only | 0x00 | 0xFF |
| | | | | SCMR | Smart Card Mode Register | 0x06 | 8 | read/write | 0xF2 | 0xFF |
| | | | | SEMR | Serial Extended Mode Register | 0x07 | 8 | read/write | 0x00 | 0xFF |
| | | | | SNFR | Noise Filter Setting Register | 0x08 | 8 | read/write | 0x00 | 0xFF |

Table 3.4 Register description (20 of 28)

| Peripheral name | Dim | Dim incr. | Dim index | Register name | Description | Address offset | Size | Access | Reset value | Reset mask |
|-----------------|-----|-----------|-----------|---------------|------------------------------------------|----------------|------|------------|-------------|------------|
| SCI2,9 | - | - | - | SIMR1 | I ² C Mode Register 1 | 0x09 | 8 | read/write | 0x00 | 0xFF |
| | | | | SIMR2 | I ² C Mode Register 2 | 0x0A | 8 | read/write | 0x00 | 0xFF |
| | | | | SIMR3 | I ² C Mode Register 3 | 0x0B | 8 | read/write | 0x00 | 0xFF |
| | | | | SISR | I ² C Status Register | 0x0C | 8 | read-only | 0x00 | 0xCB |
| | | | | SPMR | SPI Mode Register | 0x0D | 8 | read/write | 0x00 | 0xFF |
| | | | | TDRHL | Transmit 9-bit Data Register | 0x0E | 16 | read/write | 0xFFFF | 0xFFFF |
| | | | | RDRHL | Receive 9-bit Data Register | 0x10 | 16 | read-only | 0x0000 | 0xFFFF |
| | | | | MDDR | Modulation Duty Register | 0x12 | 8 | read/write | 0xFF | 0xFF |
| | | | | DCCR | Data Compare Match Control Register | 0x13 | 8 | read/write | 0x40 | 0xFF |
| | | | | CDR | Compare Match Data Register | 0x1A | 16 | read/write | 0x0000 | 0xFFFF |
| | | | | SPTR | Serial Port Register | 0x1C | 8 | read/write | 0x03 | 0xFF |
| SPI0 | - | - | - | SPCR | SPI Control Register | 0x00 | 8 | read/write | 0x00 | 0xFF |
| | | | | SSLP | SPI Slave Select Polarity Register | 0x01 | 8 | read/write | 0x00 | 0xFF |
| | | | | SPPCR | SPI Pin Control Register | 0x02 | 8 | read/write | 0x00 | 0xFF |
| | | | | SPSR | SPI Status Register | 0x03 | 8 | read/write | 0x20 | 0xFF |
| | | | | SPDR | SPI Data Register | 0x04 | 32 | read/write | 0x00000000 | 0xFFFFFFF |
| | | | | SPDR_HA | SPI Data Register (halfword access) | 0x04 | 16 | read/write | 0x0000 | 0xFFFF |
| | | | | SPBR | SPI Bit Rate Register | 0x0A | 8 | read/write | 0xFF | 0xFF |
| | | | | SPDCR | SPI Data Control Register | 0x0B | 8 | read/write | 0x00 | 0xFF |
| | | | | SPCKD | SPI Clock Delay Register | 0x0C | 8 | read/write | 0x00 | 0xFF |
| | | | | SSLND | SPI Slave Select Negation Delay Register | 0x0D | 8 | read/write | 0x00 | 0xFF |
| | | | | SPND | SPI Next-Access Delay Register | 0x0E | 8 | read/write | 0x00 | 0xFF |
| | | | | SPCR2 | SPI Control Register 2 | 0x0F | 8 | read/write | 0x00 | 0xFF |
| | | | | SPCMD0 | SPI Command Register 0 | 0x10 | 16 | read/write | 0x070D | 0xFFFF |
| SPI1 | - | - | - | SPCR | SPI Control Register | 0x00 | 8 | read/write | 0x00 | 0xFF |
| | | | | SSLP | SPI Slave Select Polarity Register | 0x01 | 8 | read/write | 0x00 | 0xFF |

Table 3.4 Register description (21 of 28)

| Peripheral name | Dim | Dim incr. | Dim index | Register name | Description | Address offset | Size | Access | Reset value | Reset mask |
|-----------------|-----|-----------|-----------|---------------|------------------------------------------------|----------------|------|------------|-------------|------------|
| SPI1 | - | - | - | SPPCR | SPI Pin Control Register | 0x02 | 8 | read/write | 0x00 | 0xFF |
| | | | | SPSR | SPI Status Register | 0x03 | 8 | read/write | 0x20 | 0xFF |
| | | | | SPDR | SPI Data Register | 0x04 | 32 | read/write | 0x00000000 | 0xFFFFFFF |
| | | | | SPDR_HA | SPI Data Register (halfword access) | 0x04 | 16 | read/write | 0x0000 | 0xFFFF |
| | | | | SPBR | SPI Bit Rate Register | 0x0A | 8 | read/write | 0xFF | 0xFF |
| | | | | SPDCR | SPI Data Control Register | 0x0B | 8 | read/write | 0x00 | 0xFF |
| | | | | SPCKD | SPI Clock Delay Register | 0x0C | 8 | read/write | 0x00 | 0xFF |
| | | | | SSLND | SPI Slave Select Negation Delay Register | 0x0D | 8 | read/write | 0x00 | 0xFF |
| | | | | SPND | SPI Next-Access Delay Register | 0x0E | 8 | read/write | 0x00 | 0xFF |
| | | | | SPCR2 | SPI Control Register 2 | 0x0F | 8 | read/write | 0x00 | 0xFF |
| | | | | SPCMD0 | SPI Command Register 0 | 0x10 | 16 | read/write | 0x070D | 0xFFFF |
| CRC | - | - | - | CRCCR0 | CRC Control Register 0 | 0x00 | 8 | read/write | 0x00 | 0xFF |
| | | | | CRCCR1 | CRC Control Register 1 | 0x01 | 8 | read/write | 0x00 | 0xFF |
| | | | | CRCDIR | CRC Data Input Register | 0x04 | 32 | read/write | 0x00000000 | 0xFFFFFFF |
| | | | | CRCDIR_BY | CRC Data Input Register (byte access) | 0x04 | 8 | read/write | 0x00 | 0xFF |
| | | | | CRCDOR | CRC Data Output Register | 0x08 | 32 | read/write | 0x00000000 | 0xFFFFFFF |
| | | | | CRCDOR_HA | CRC Data Output Register (halfword access) | 0x08 | 16 | read/write | 0x0000 | 0xFFFF |
| | | | | CRCDOR_BY | CRC Data Output Register (byte access) | 0x08 | 8 | read/write | 0x00 | 0xFF |
| | | | | CRCSAR | Snoop Address Register | 0x0C | 16 | read/write | 0x0000 | 0xFFFF |
| GPT320,1 | - | - | - | GTWP | General PWM Timer Write-Protection Register | 0x00 | 32 | read/write | 0x00000000 | 0xFFFFFFF |
| | | | | GTSTR | General PWM Timer Software Start Register | 0x04 | 32 | read/write | 0x00000000 | 0xFFFFFFF |
| | | | | GTSTP | General PWM Timer Software Stop Register | 0x08 | 32 | read/write | 0xFFFFFFF | 0xFFFFFFF |
| | | | | GTCLR | General PWM Timer Software Clear Register | 0x0C | 32 | write-only | 0x00000000 | 0xFFFFFFF |
| | | | | GTSSR | General PWM Timer Start Source Select Register | 0x10 | 32 | read/write | 0x00000000 | 0xFFFFFFF |
| | | | | GTPSR | General PWM Timer Stop Source Select Register | 0x14 | 32 | read/write | 0x00000000 | 0xFFFFFFF |
| | | | | GTCSR | General PWM Timer Clear Source Select Register | 0x18 | 32 | read/write | 0x00000000 | 0xFFFFFFF |

Table 3.4 Register description (22 of 28)

| Peripheral name | Dim | Dim incr. | Dim index | Register name | Description | Address offset | Size | Access | Reset value | Reset mask |
|-----------------|----------------------------------------------|-----------|-----------|---------------|-------------------------------------------------------------|----------------|------|------------|-------------|-------------|
| GPT320,1 | - | - | - | GTUPSR | General PWM Timer Up Count Source Select Register | 0x1C | 32 | read/write | 0x0000 0000 | 0xFFFF FFFF |
| | | | | GTDNSR | General PWM Timer Down Count Source Select Register | 0x20 | 32 | read/write | 0x0000 0000 | 0xFFFF FFFF |
| | | | | GTICASR | General PWM Timer Input Capture Source Select Register A | 0x24 | 32 | read/write | 0x0000 0000 | 0xFFFF FFFF |
| | | | | GTICBSR | General PWM Timer Input Capture Source Select Register B | 0x28 | 32 | read/write | 0x0000 0000 | 0xFFFF FFFF |
| | | | | GTCR | General PWM Timer Control Register | 0x2C | 32 | read/write | 0x0000 0000 | 0xFFFF FFFF |
| | | | | GTUDDTYC | General PWM Timer Count Direction and Duty Setting Register | 0x30 | 32 | read/write | 0x0000 0001 | 0xFFFF FFFF |
| | | | | GTIOR | General PWM Timer I/O Control Register | 0x34 | 32 | read/write | 0x0000 0000 | 0xFFFF FFFF |
| | | | | GTINTAD | General PWM Timer Interrupt Output Setting Register | 0x38 | 32 | read/write | 0x0000 0000 | 0xFFFF FFFF |
| | | | | GTST | General PWM Timer Status Register | 0x3C | 32 | read/write | 0x0000 8000 | 0xFFFF FFFF |
| | | | | GTBER | General PWM Timer Buffer Enable Register | 0x40 | 32 | read/write | 0x0000 0000 | 0xFFFF FFFF |
| | | | | GTCNT | General PWM Timer Counter | 0x48 | 32 | read/write | 0x0000 0000 | 0xFFFF FFFF |
| | | | | GTCCRA | General PWM Timer Compare Capture Register A | 0x4C | 32 | read/write | 0xFFFF FFFF | 0xFFFF FFFF |
| | | | | GTCCRB | General PWM Timer Compare Capture Register B | 0x50 | 32 | read/write | 0xFFFF FFFF | 0xFFFF FFFF |
| | | | | GTCCRC | General PWM Timer Compare Capture Register C | 0x54 | 32 | read/write | 0xFFFF FFFF | 0xFFFF FFFF |
| | | | | GTCCRE | General PWM Timer Compare Capture Register E | 0x58 | 32 | read/write | 0xFFFF FFFF | 0xFFFF FFFF |
| | | | | GTCCRD | General PWM Timer Compare Capture Register D | 0x5C | 32 | read/write | 0xFFFF FFFF | 0xFFFF FFFF |
| | | | | GTCCRF | General PWM Timer Compare Capture Register F | 0x60 | 32 | read/write | 0xFFFF FFFF | 0xFFFF FFFF |
| | | | | GTPR | General PWM Timer Cycle Setting Register | 0x64 | 32 | read/write | 0xFFFF FFFF | 0xFFFF FFFF |
| | | | | GTPBR | General PWM Timer Cycle Setting Buffer Register | 0x68 | 32 | read/write | 0xFFFF FFFF | 0xFFFF FFFF |
| GTDTCR | General PWM Timer Dead Time Control Register | 0x88 | 32 | read/write | 0x0000 0000 | 0xFFFF FFFF | | | | |
| GPT320,1 | - | - | - | GTDVU | General PWM Timer Dead Time Value Register U | 0x8C | 32 | read/write | 0xFFFF FFFF | 0xFFFF FFFF |

Table 3.4 Register description (23 of 28)

| Peripheral name | Dim | Dim incr. | Dim index | Register name | Description | Address offset | Size | Access | Reset value | Reset mask |
|-----------------|----------------------------------------------|-----------|-----------|---------------|-------------------------------------------------------------|----------------|------|------------|----------------|----------------|
| GPT162-7 | - | - | - | GTWP | General PWM Timer Write-Protection Register | 0x00 | 32 | read/write | 0x0000 0000 | 0xFFFF FFFF |
| | | | | GTSTR | General PWM Timer Software Start Register | 0x04 | 32 | read/write | 0x0000 0000 | 0xFFFF FFFF |
| | | | | GTSTP | General PWM Timer Software Stop Register | 0x08 | 32 | read/write | 0xFFFF FFFF | 0xFFFF FFFF |
| | | | | GTCLR | General PWM Timer Software Clear Register | 0x0C | 32 | write-only | 0x0000 0000 | 0xFFFF FFFF |
| | | | | GTSSR | General PWM Timer Start Source Select Register | 0x10 | 32 | read/write | 0x0000 0000 | 0xFFFF FFFF |
| | | | | GTPSR | General PWM Timer Stop Source Select Register | 0x14 | 32 | read/write | 0x0000 0000 | 0xFFFF FFFF |
| | | | | GTCSR | General PWM Timer Clear Source Select Register | 0x18 | 32 | read/write | 0x0000 0000 | 0xFFFF FFFF |
| | | | | GTUPSR | General PWM Timer Up Count Source Select Register | 0x1C | 32 | read/write | 0x0000 0000 | 0xFFFF FFFF |
| | | | | GTDNSR | General PWM Timer Down Count Source Select Register | 0x20 | 32 | read/write | 0x0000 0000 | 0xFFFF FFFF |
| | | | | GTICASR | General PWM Timer Input Capture Source Select Register A | 0x24 | 32 | read/write | 0x0000 0000 | 0xFFFF FFFF |
| | | | | GTICBSR | General PWM Timer Input Capture Source Select Register B | 0x28 | 32 | read/write | 0x0000 0000 | 0xFFFF FFFF |
| | | | | GTCR | General PWM Timer Control Register | 0x2C | 32 | read/write | 0x0000 0000 | 0xFFFF FFFF |
| | | | | GTUDDTYC | General PWM Timer Count Direction and Duty Setting Register | 0x30 | 32 | read/write | 0x0000 0001 | 0xFFFF FFFF |
| | | | | GTIOR | General PWM Timer I/O Control Register | 0x34 | 32 | read/write | 0x0000 0000 | 0xFFFF FFFF |
| | | | | GTINTAD | General PWM Timer Interrupt Output Setting Register | 0x38 | 32 | read/write | 0x0000 0000 | 0xFFFF FFFF |
| | | | | GTST | General PWM Timer Status Register | 0x3C | 32 | read/write | 0x0000 8000 | 0xFFFF FFFF |
| | | | | GTBER | General PWM Timer Buffer Enable Register | 0x40 | 32 | read/write | 0x0000 0000 | 0xFFFF FFFF |
| | | | | GTCNT | General PWM Timer Counter | 0x48 | 32 | read/write | 0x0000 0000 | 0xFFFF FFFF |
| | | | | GTCCRA | General PWM Timer Compare Capture Register A | 0x4C | 32 | read/write | 0x0000 FFFF | 0xFFFF FFFF |
| | | | | GTCCRB | General PWM Timer Compare Capture Register B | 0x50 | 32 | read/write | 0x0000 FFFF | 0xFFFF FFFF |
| GTCCRC | General PWM Timer Compare Capture Register C | 0x54 | 32 | read/write | 0x0000 FFFF | 0xFFFF FFFF | | | | |

Table 3.4 Register description (24 of 28)

| Peripheral name | Dim | Dim incr. | Dim index | Register name | Description | Address offset | Size | Access | Reset value | Reset mask |
|-----------------|-----|-----------|-----------|---------------|---------------------------------------------------|----------------|------|------------|----------------|----------------|
| GPT162-7 | - | - | - | GTCCRE | General PWM Timer Compare Capture Register E | 0x58 | 32 | read/write | 0x0000 FFFF | 0xFFFF FFFF |
| | | | | GTCCRD | General PWM Timer Compare Capture Register D | 0x5C | 32 | read/write | 0x0000 FFFF | 0xFFFF FFFF |
| | | | | GTCCRF | General PWM Timer Compare Capture Register F | 0x60 | 32 | read/write | 0x0000 FFFF | 0xFFFF FFFF |
| | | | | GTPR | General PWM Timer Cycle Setting Register | 0x64 | 32 | read/write | 0x0000 FFFF | 0xFFFF FFFF |
| | | | | GTPBR | General PWM Timer Cycle Setting Buffer Register | 0x68 | 32 | read/write | 0x0000 FFFF | 0xFFFF FFFF |
| | | | | GTDTCR | General PWM Timer Dead Time Control Register | 0x88 | 32 | read/write | 0x0000 0000 | 0xFFFF FFFF |
| | | | | GTDVU | General PWM Timer Dead Time Value Register U | 0x8C | 32 | read/write | 0x0000 FFFF | 0xFFFF FFFF |
| GPT_OPS | - | - | - | OPSCR | Output Phase Switching Control Register | 0x00 | 32 | read/write | 0x0000 0000 | 0xFFFF FFFF |
| KINT | - | - | - | KRCTL | KEY Return Control Register | 0x00 | 8 | read/write | 0x00 | 0xFF |
| | | | | KRF | KEY Return Flag Register | 0x04 | 8 | read/write | 0x00 | 0xFF |
| | | | | KRM | KEY Return Mode Register | 0x08 | 8 | read/write | 0x00 | 0xFF |
| CTSU | - | - | - | CTSUCR0 | CTSU Control Register 0 | 0x00 | 8 | read/write | 0x00 | 0xFF |
| | | | | CTSUCR1 | CTSU Control Register 1 | 0x01 | 8 | read/write | 0x00 | 0xFF |
| | | | | CTSUSDPRS | CTSU Synchronous Noise Reduction Setting Register | 0x02 | 8 | read/write | 0x00 | 0xFF |
| | | | | CTSUSST | CTSU Sensor Stabilization Wait Control Register | 0x03 | 8 | read/write | 0x00 | 0xFF |
| | | | | CTSUMCH0 | CTSU Measurement Channel Register 0 | 0x04 | 8 | read/write | 0x3F | 0xFF |
| | | | | CTSUMCH1 | CTSU Measurement Channel Register 1 | 0x05 | 8 | read/write | 0x3F | 0xFF |
| | | | | CTSUCHAC0 | CTSU Channel Enable Control Register 0 | 0x06 | 8 | read/write | 0x00 | 0xFF |
| | | | | CTSUCHAC1 | CTSU Channel Enable Control Register 1 | 0x07 | 8 | read/write | 0x00 | 0xFF |
| | | | | CTSUCHAC2 | CTSU Channel Enable Control Register 2 | 0x08 | 8 | read/write | 0x00 | 0xFF |
| | | | | CTSUCHAC3 | CTSU Channel Enable Control Register 3 | 0x09 | 8 | read/write | 0x00 | 0xFF |
| | | | | CTSUCHAC4 | CTSU Channel Enable Control Register 4 | 0x0A | 8 | read/write | 0x00 | 0xFF |
| | | | | CTSUCHTRC0 | CTSU Channel Transmit/Receive Control Register 0 | 0x0B | 8 | read/write | 0x00 | 0xFF |

Table 3.4 Register description (25 of 28)

| Peripheral name | Dim | Dim incr. | Dim index | Register name | Description | Address offset | Size | Access | Reset value | Reset mask |
|-----------------|-----|-----------|-----------|---------------|--------------------------------------------------------------------|----------------|-------|------------------------------|-------------|------------|
| CTSU | - | - | - | CTSUCHTRC1 | CTSU Channel Transmit/Receive Control Register 1 | 0x0C | 8 | read/write | 0x00 | 0xFF |
| | | | | CTSUCHTRC2 | CTSU Channel Transmit/Receive Control Register 3 | 0x0D | 8 | read/write | 0x00 | 0xFF |
| | | | | CTSUCHTRC3 | CTSU Channel Transmit/Receive Control Register 3 | 0x0E | 8 | read/write | 0x00 | 0xFF |
| | | | | CTSUCHTRC4 | CTSU Channel Transmit/Receive Control Register 4 | 0x0F | 8 | read/write | 0x00 | 0xFF |
| | | | | CTSUDCLKC | CTSU High-Pass Noise Reduction Control Register | 0x10 | 8 | read/write | 0x00 | 0xFF |
| | | | | CTSUST | CTSU Status Register | 0x11 | 8 | read/write | 0x00 | 0xFF |
| | | | | CTSUSSC | CTSU High-Pass Noise Reduction Spectrum Diffusion Control Register | 0x12 | 16 | read/write | 0x0000 | 0xFFFF |
| | | | | CTSUSO0 | CTSU Sensor Offset Register 0 | 0x14 | 16 | read/write | 0x0000 | 0xFFFF |
| | | | | CTSUSO1 | CTSU Sensor Offset Register 1 | 0x16 | 16 | read/write | 0x0000 | 0xFFFF |
| | | | | CTSUSC | CTSU Sensor Counter | 0x18 | 16 | read-only | 0x0000 | 0xFFFF |
| | | | | CTSURC | CTSU Reference Counter | 0x1A | 16 | read-only | 0x0000 | 0xFFFF |
| | | | | CTSUERRS | CTSU Error Status Register | 0x1C | 16 | read-only | 0x0000 | 0xFFFF |
| SLCDC | - | - | - | LCDM0 | LCD Mode Register 0 | 0x000 | 8 | read/write | 0x00 | 0xFF |
| | | | | LCDM1 | LCD Mode Register 1 | 0x001 | 8 | read/write | 0x00 | 0xFF |
| | | | | LCDC0 | LCD Clock Control Register 0 | 0x002 | 8 | read/write | 0x00 | 0xFF |
| | | | | VLCD | LCD Boost Level Control Register | 0x003 | 8 | read/write | 0x04 | 0xFF |
| | | | | 38 | 0x1 | 0-37 | SEG%s | LCD Display Data Register %s | 0x100 | 8 |
| AGT0,1 | - | - | - | AGT | AGT Counter Register | 0x00 | 16 | read/write | 0xFFFF | 0xFFFF |
| | | | | AGTCMA | AGT Compare Match A Register | 0x02 | 16 | read/write | 0xFFFF | 0xFFFF |
| | | | | AGTCMB | AGT Compare Match B Register | 0x04 | 16 | read/write | 0xFFFF | 0xFFFF |
| | | | | AGTCR | AGT Control Register | 0x08 | 8 | read/write | 0x00 | 0xFF |
| | | | | AGTMR1 | AGT Mode Register 1 | 0x09 | 8 | read/write | 0x00 | 0xFF |
| | | | | AGTMR2 | AGT Mode Register 2 | 0x0A | 8 | read/write | 0x00 | 0xFF |
| | | | | AGTIOC | AGT I/O Control Register | 0x0C | 8 | read/write | 0x00 | 0xFF |

Table 3.4 Register description (26 of 28)

| Peripheral name | Dim | Dim incr. | Dim index | Register name | Description | Address offset | Size | Access | Reset value | Reset mask |
|-----------------|-----|-----------|-----------|---------------|----------------------------------------------------------|----------------|------|------------|-------------|------------|
| AGT0,1 | - | - | - | AGTISR | AGT Event Pin Select Register | 0x0D | 8 | read/write | 0x00 | 0xFF |
| | | | | AGTCMSR | AGT Compare Match Function Select Register | 0x0E | 8 | read/write | 0x00 | 0xFF |
| | | | | AGTIOSEL | AGT Pin Select Register | 0x0F | 8 | read/write | 0x00 | 0xFF |
| ACMPLP | - | - | - | COMPMDR | ACMPLP Mode Setting Register | 0x00 | 8 | read/write | 0x00 | 0xFF |
| | | | | COMPFIR | ACMPLP Filter Control Register | 0x01 | 8 | read/write | 0x00 | 0xFF |
| | | | | COMPOCR | ACMPLP Output Control Register | 0x02 | 8 | read/write | 0x00 | 0xFF |
| | | | | COMPSEL0 | Comparator Input Select Register | 0x04 | 8 | read/write | 0x11 | 0xFF |
| | | | | COMPSEL1 | Comparator Reference Voltage Select Register | 0x05 | 8 | read/write | 0x91 | 0xFF |
| OPAMP | - | - | - | AMPMC | Operational Amplifier Mode Control Register | 0x08 | 8 | read/write | 0x00 | 0xFF |
| | | | | AMPTRM | Operational Amplifier Trigger Mode Control Register | 0x09 | 8 | read/write | 0x00 | 0xFF |
| | | | | AMPTRS | Operational Amplifier Activation Trigger Select Register | 0x0A | 8 | read/write | 0x00 | 0xFF |
| | | | | AMPC | Operational Amplifier Control Register | 0x0B | 8 | read/write | 0x00 | 0xFF |
| | | | | AMPMON | Operational Amplifier Monitor Register | 0x0C | 8 | read-only | 0x00 | 0xFF |
| USBFS | - | - | - | SYSCFG | System Configuration Control Register | 0x000 | 16 | read/write | 0x0000 | 0xFFFF |
| | | | | SYSSTS0 | System Configuration Status Register 0 | 0x004 | 16 | read-only | 0x0000 | 0x0000 |
| | | | | DVSTCTR0 | Device State Control Register 0 | 0x008 | 16 | read/write | 0x0000 | 0xFFFF |
| | | | | CFIFO | CFIFO Port Register | 0x014 | 16 | read/write | 0x0000 | 0xFFFF |
| | | | | CFIFOL | CFIFO Port Register L | 0x014 | 8 | read/write | 0x00 | 0xFF |
| | | | | D0FIFO | D0FIFO Port Register | 0x018 | 16 | read/write | 0x0000 | 0xFFFF |
| | | | | D0FIFOL | D0FIFO Port Register L | 0x018 | 8 | read/write | 0x00 | 0xFF |
| | | | | D1FIFO | D1FIFO Port Register | 0x01C | 16 | read/write | 0x0000 | 0xFFFF |
| | | | | D1FIFOL | D1FIFO Port Register L | 0x01C | 8 | read/write | 0x00 | 0xFF |
| | | | | CFIFOSEL | CFIFO Port Select Register | 0x020 | 16 | read/write | 0x0000 | 0xFFFF |
| | | | | CFIFOCTR | CFIFO Port Control Register | 0x022 | 16 | read/write | 0x0000 | 0xFFFF |
| | | | | D0FIFOSEL | D0FIFO Port Select Register | 0x028 | 16 | read/write | 0x0000 | 0xFFFF |
| | | | | D0FIFOCTR | D0FIFO Port Control Register | 0x02A | 16 | read/write | 0x0000 | 0xFFFF |

Table 3.4 Register description (27 of 28)

| Peripheral name | Dim | Dim incr. | Dim index | Register name | Description | Address offset | Size | Access | Reset value | Reset mask |
|-----------------|-----------------------------------|-----------|-----------|--------------------------|-----------------------------------|----------------|------------|------------|-------------|------------|
| USBFS | - | - | - | D1FIFOSEL | D1FIFO Port Select Register | 0x02C | 16 | read/write | 0x0000 | 0xFFFF |
| | | | | D1FIFOCTR | D1FIFO Port Control Register | 0x02E | 16 | read/write | 0x0000 | 0xFFFF |
| | | | | INTENB0 | Interrupt Enable Register 0 | 0x030 | 16 | read/write | 0x0000 | 0xFFFF |
| | | | | INTENB1 | Interrupt Enable Register 1 | 0x032 | 16 | read/write | 0x0000 | 0xFFFF |
| | | | | BRDYENB | BRDY Interrupt Enable Register | 0x036 | 16 | read/write | 0x0000 | 0xFFFF |
| | | | | NRDYENB | NRDY Interrupt Enable Register | 0x038 | 16 | read/write | 0x0000 | 0xFFFF |
| | | | | BEMPENB | BEMP Interrupt Enable Register | 0x03A | 16 | read/write | 0x0000 | 0xFFFF |
| | | | | SOFCFG | SOF Output Configuration Register | 0x03C | 16 | read/write | 0x0000 | 0xFFFF |
| | | | | INTSTS0 | Interrupt Status Register 0 | 0x040 | 16 | read/write | 0x0000 | 0xFF7F |
| | | | | INTSTS1 | Interrupt Status Register 1 | 0x042 | 16 | read/write | 0x0000 | 0xFFFF |
| | | | | BRDYSTS | BRDY Interrupt Status Register | 0x046 | 16 | read/write | 0x0000 | 0xFFFF |
| | | | | NRDYSTS | NRDY Interrupt Status Register | 0x048 | 16 | read/write | 0x0000 | 0xFFFF |
| | | | | BEMPSTS | BEMP Interrupt Status Register | 0x04A | 16 | read/write | 0x0000 | 0xFFFF |
| | | | | FRMNUM | Frame Number Register | 0x04C | 16 | read/write | 0x0000 | 0xFFFF |
| | | | | USBREQ | USB Request Type Register | 0x054 | 16 | read/write | 0x0000 | 0xFFFF |
| | | | | USBVAL | USB Request Value Register | 0x056 | 16 | read/write | 0x0000 | 0xFFFF |
| | | | | USBINDX | USB Request Index Register | 0x058 | 16 | read/write | 0x0000 | 0xFFFF |
| | | | | USBLENG | USB Request Length Register | 0x05A | 16 | read/write | 0x0000 | 0xFFFF |
| | | | | DCPCFG | DCP Configuration Register | 0x05C | 16 | read/write | 0x0000 | 0xFFFF |
| | | | | DCPMAXP | DCP Maximum Packet Size Register | 0x05E | 16 | read/write | 0x0040 | 0xFFFF |
| | | | | DCPCTR | DCP Control Register | 0x060 | 16 | read/write | 0x0040 | 0xFFFF |
| | | | | PIPESEL | Pipe Window Select Register | 0x064 | 16 | read/write | 0x0000 | 0xFFFF |
| | | | | PIPECFG | Pipe Configuration Register | 0x068 | 16 | read/write | 0x0000 | 0xFFFF |
| PIPEMAXP | Pipe Maximum Packet Size Register | 0x06C | 16 | read/write | 0x0000 | 0xFFBF | | | | |
| PIPEPERI | Pipe Cycle Control Register | 0x06E | 16 | read/write | 0x0000 | 0xFFFF | | | | |
| 5 | 0x002 | 1-5 | PIPE%sCTR | Pipe %s Control Register | 0x070 | 16 | read/write | 0x0000 | 0xFFFF | |

Table 3.4 Register description (28 of 28)

| Peripheral name | Dim | Dim incr. | Dim index | Register name | Description | Address offset | Size | Access | Reset value | Reset mask |
|-----------------|-----|-----------|-----------|---------------|------------------------------------------------|----------------|------|------------|-------------|------------|
| USBFS | 4 | 0x002 | 6-9 | PIPE%sCTR | Pipe %s Control Register | 0x07A | 16 | read/write | 0x0000 | 0xFFFF |
| | 5 | 0x004 | 1-5 | PIPE%sTRE | Pipe %s Transaction Counter Enable Register | 0x090 | 16 | read/write | 0x0000 | 0xFFFF |
| | 5 | 0x004 | 1-5 | PIPE%sTRN | Pipe %s Transaction Counter Register | 0x092 | 16 | read/write | 0x0000 | 0xFFFF |
| | - | - | - | USBBCCTRL0 | BC Control Register 0 | 0x0B0 | 16 | read/write | 0x0000 | 0xFFFF |
| | - | - | - | USBMC | USB Module Control Register | 0x0CC | 16 | read/write | 0x0002 | 0xFFFF |
| | 6 | 0x002 | 0-5 | DEVADD%s | Device Address %s Configuration Register | 0x0D0 | 16 | read/write | 0x0000 | 0xFFFF |
| DAC8 | 2 | 0x01 | 0,1 | DACS%s | D/A Conversion Value Setting Register %s | 0x00 | 8 | read/write | 0x00 | 0xFF |
| | - | - | - | DAM | D/A Converter Mode Register | 0x03 | 8 | read/write | 0x00 | 0xFF |
| TSN | - | - | - | TSCDRL | Temperature Sensor Calibration Data Register L | 0x228 | 8 | read-only | 0x00 | 0x00 |
| | - | - | - | TSCDRH | Temperature Sensor Calibration Data Register H | 0x229 | 8 | read-only | 0x00 | 0x00 |

Peripheral name = Name of peripheral

Dim = Number of elements in an array of registers

Dim incr = Address increment between two neighboring registers of a register array in the address map

Dim index = Substring that replaces the %s placeholder in the register name

Register name = Name of register

Description = Register description

Address offset = Address of the register relative to the base address defined by the peripheral of the register

Size = Bit width of the register

Access = Register access rights:

- Read-only: Read access is permitted. Write operations have undefined results.
- Write-only: Write access is permitted. Read operations have undefined results.
- Read/write: Both read and write accesses are permitted. Writes affect the state of the register and reads return a value related to the register.

Reset value = Default reset value of the register

Reset mask = Identifies which register bits have a defined reset value

| | |
|------------------|------------------------------------------|
| Revision History | S3A6 Microcontroller Group User's Manual |
|------------------|------------------------------------------|

| Rev. | Date | Chapter | Description |
|---------------------------------------------------------------------------------------|---------------------------------------------------------------------------------------------------------------------------------------------------------------------------------------------------------------------|------------------------------------------------------------------------------------------------------------------------------------------------------------------------------------------------------------------------------------------------------------------------------------------------------------------------------------------|-----------------------------------------------------------------------------------------------------------------------------------------------------------------------------------------------------------------------------------------------------------------------------------------------------------|
| 1.00 | Apr 4, 2017 | - | First release |
| 1.10 | Jun 25, 2018 | section 1, Preface | Updated the preface to use the latest template |
| | | section , Features | Updated the Memory section for the 8-KB data flash memory item |
| | | section 1, Arm core | Updated Table 1.1, Arm core for the SysTick timer clock |
| | | | Updated Table 1.3, System for the Clock Frequency Accuracy Measurement Circuit (CAC) |
| | | | Updated Table 1.8, Analog for the Temperature Sensor (TSN) row to change ADC to ADC14 |
| | | | Updated Table 1.10, Data processing to change Cyclic Redundancy Check (CRC) to CRC calculator |
| | | | Updated Figure 1.1, Block diagram to change Realtime Clock to RTC |
| | | | Updated section 1.3, Part Numbering to use the latest scheme |
| | | | Updated Table 1.13, Function comparison to add the OPAMP item to the Analog row |
| | | | section 2, CPU |
| | | Updated section 2.9, SysTick System Timer to add note 1 | |
| | | Updated section 2.11.3.4, Connecting sequence and JTAG/SWD authentication as follows: <ul style="list-style-type: none"> • Removed (3) When OSIS is ALerASE in ASCII mode • Renamed (4) When OSIS is not all 1s to (3) When OSIS[127:126] is 10b • Added (4) When OSIS[127:126] is 11b. | |
| | | section 5, Resets | |
| | | | Updated Table 5.3, Module-related registers initialized by each reset source as follows: <ul style="list-style-type: none"> • Updated VBATT_POR cell for "Register related to the realtime clock" entry • Added note 2 • Added text following the table. |
| | | | section 6, Option-Setting Memory |
| | | Updated Table 6.1, MPU registers to add Security MPU Region 1 Start Address Register to Security MPU Region 3 End Address Register | |
| | | Updated section 6.2.5, Access Window Setting Register (AWS) to change bit settings for FAWE[11:0] and FAWS[11:0] from FAWE[11:0] ≤ FAWS[11:0] to FAWE[11:0] < FAWS[11:0] | |
| | | Updated Table 6.2, Specifications for ID code protection | |
| | | section 7, Low Voltage Detection (LVD) | Updated Figure 7.4, Example of voltage monitor 0 reset operation |
| | | section 8, Clock generation circuit block diagram | Updated Table 8.2, Clock generation circuit specifications for the internal clocks to change "ratio" in the Specifications column to "ratios" |
| | | | Updated Figure 8.1, Clock generation circuit block diagram |
| | | | Updated section 8.2.5, Memory Wait Cycle Control Register (MEMWAIT) to remove the description for MEMWAIT settings |
| | | | Updated section 8.2.6, Main Clock Oscillator Control Register (MOSCCR) |
| | | | Updated section 8.2.14, Main Clock Oscillator Wait Control Register (MOSCWTCR) |
| | | | Updated section 8.2.19, Clock Out Control Register (CKOCR) |
| | | | Updated section 8.2.22, HOCO User Trimming Control Register (HOCOUTCR) |
| | | section 10, Module Stop Control Register C (MSTPCRC) | Updated section 10.2.4, Module Stop Control Register C (MSTPCRC) |
| Added new section 10.9.15, Module-Stop Function for an Unused Circuit | | | |
| section 11, Battery Backup Function | Updated section 11.2.6, VBATT Backup Register (VBTBKRn) (n = 0 to 511) to remove the note "The system that uses the VBATT backup registers and Software Standby mode must constantly activate LOCO" | | |
| | Updated section 11.4, Usage Notes to remove the step 6, "When the system that requires Software Standby mode...." and made step 7 the new step 6 | | |

| Rev. | Date | Chapter | Description |
|------|--------------|-------------------------------------------------------------------------------------------------------------------------------------------------------------------------------------------|-----------------------------------------------------------------------------------------------------------------------------------------------------------------|
| 1.10 | Jun 25, 2018 | section 13, Interrupt Controller Unit (ICU) | Updated section 13.2.1, IRQ Control Register i (IRQCRi) (i = 0 to 12, 14, 15) |
| | | | Updated section 13.2.6, ICU Event Link Setting Register n (IELSRn) to add a note |
| | | | Updated section 13.2.7, DMAC Event Link Setting Register n (DELSRn) to add a note |
| | | section 15, CPU Stack Pointer Monitor | Updated section 15.2, CPU Stack Pointer Monitor |
| | | | Updated section 15.2.3.1, Main Stack Pointer (MSP) Monitor Start Address Register (MSPMPUSA) |
| | | | Updated section 15.2.3.2, Main Stack Pointer (MSP) Monitor End Address Register (MSPMPUEA) |
| | | | Updated section 15.2.3.3, Process Stack Pointer (PSP) Monitor Start Address Register (PSPMPUSA) |
| | | | Updated section 15.2.3.4, Process Stack Pointer (PSP) Monitor End Address Register (PSPMPUEA) |
| | | | Updated section 15.2.3.7, Stack Pointer Monitor Protection Register (MSPMPUPT, PSPMPUPT) |
| | | | Updated section 15.4.1.1, Group A Region n Start Address Register (MMPUSAn) (n = 0 to 15) |
| | | | Updated section 15.4.1.2, Group A Region n End Address Register (MMPUEAn) (n = 0 to 15) |
| | | | Updated section 15.5.2.1, Memory protection |
| | | | Updated section 15.6.1.1, Security MPU Program Counter Start Address Register (SECMPUPCSn) (n = 0, 1) |
| | | | Updated section 15.6.1.2, Security MPU Program Counter End Address Register (SECMPUPCEn) (n = 0, 1) |
| | | | Updated section 15.6.1.3, Security MPU Region 0 Start Address Register (SECMPUS0) |
| | | | Updated section 15.6.1.4, Security MPU Region 0 End Address Register (SECMPUE0) |
| | | | Updated section 15.6.1.5, Security MPU Region 1 Start Address Register (SECMPUS1) |
| | | | Updated section 15.6.1.6, Security MPU Region 1 End Address Register (SECMPUE1) |
| | | | Updated section 15.6.1.7, Security MPU Region 2 Start Address Register (SECMPUS2) |
| | | | Updated section 15.6.1.8, Security MPU Region 2 End Address Register (SECMPUE2) |
| | | | Updated section 15.6.1.9, Security MPU Region 3 Start Address Register (SECMPUS3) |
| | | | Updated section 15.6.1.10, Security MPU Region 3 End Address Register (SECMPUE3) |
| | | | section 17, Data Transfer Controller (DTC) |
| | | Updated section 17.2.1, DTC Mode Register A (MRA) through section 17.2.6, DTC Transfer Count Register B (CRB) to replace DTC with CPU in the phrase "The DTC can access the SRAM area..." | |
| | | Updated Figure 17.2, DTC vector table and transfer information | |
| | | section 18, Event Link Controller (ELC) | Updated Figure 18.1, ELC block diagram (n = 0 to 9, 12, 14 to 18) |
| | | | Updated Table 18.2, Association between the ELSRn registers and peripheral functions for the DAC12 description |
| | | | Added section 18.4.4, ELC Delay Time |
| | | section 19, I/O Ports | Updated Figure 19.1, Connection diagram for I/O port registers to change DSCR to DSCR1, DSCR, and to change an AND gate to OR gate at the output of edge detect |
| | | | Added legend following Table 19.2, I/O port functions for the checkmark symbol |
| | | | Updated section 19.2.1, Port Control Register 1 (PCNTR1/PODR/PDR) |
| | | | Updated section 19.2.2, Port Control Register 2 (PCNTR2/EIDR/PIDR) |
| | | | Updated section 19.2.5, Port mn Pin Function Select Register (PmnPFS/PmnPFS_HA/PmnPFS_BY) (m = 0 to 9; n = 00 to 15) |
| | | | Updated section 19.3.1, General I/O Ports |
| | | | Updated section 19.3.2, Port Function Select |
| | | | Updated Table 19.3, Handling of unused pins and the notes following the table |
| | | | Updated Figure 19.2, Event ports input data to replace the AND gate with an OR gate |

| Rev. | Date | Chapter | Description |
|------|--------------|-------------------------------------------------------------------------------------------------------------------|-----------------------------------------------------------------------------------------------------------------------------------------------------------------------------------------------------------------------------------------------------------------|
| 1.10 | Jun 25, 2018 | section 19, I/O Ports | Updated Figure 19.4, Generation of event pulse to replace the AND gate with an OR gate |
| | | | Updated section 19.5.2, Procedure for Using Port Group Input |
| | | | Updated section 19.5.4, Notes on Using Analog Functions |
| | | section 20, Key Interrupt Function (KINT) | Updated Figure 20.1, Key interrupt function block diagram |
| | | | Updated section 20.2.2, Key Return Flag Register (KRF) |
| | | section 21, Port Output Enable for GPT (POEG) | Updated section 21.3.2, Output-Disable Request from GPT |
| | | | Removed section 21.3.3, Comparator Interrupt Detection |
| | | | Updated section 21.3.5, Release from Output Disable |
| | | section 22, General PWM Timer (GPT) | Updated section 21.4, Interrupt Sources |
| | | | Update section 22.2.13, General PWM Timer Count Direction and Duty Setting Register (GTUDDTYC) |
| | | | Updated section 22.2.14, General PWM Timer I/O Control Register (GTIOR) |
| | | | Updated section 22.2.24, Output Phase Switching Control Register (OPSCR) |
| | | | Updated section 22.3.2.2, Buffer operation for GTCCRA and GTCCRB |
| | | | Updated Figure 22.77, Conceptual diagram of GPT_OPS control flow |
| | | | Updated the note following Figure 22.78, Example of 6-phase level output operation to remove reference to <code>OSPCR.RV = 0</code> |
| | | | Updated the note following Figure 22.79, Example of 6-phase PWM output operation with chopper control to remove reference to <code>OSPCR.RV = 0</code> |
| | | | Updated the note following Figure 22.80, Example of group output disable control operation to remove reference to <code>OSPCR.RV = 0</code> |
| | | | Removed section 22.3.11.4, Rotation direction control |
| | | | Updated Table 22.20, Output selection control method (negative phase) |
| | | | Updated Figure 22.81, Example setting of GPT_OPS start operation |
| | | | Updated section 22.7.3, GTIOC Pin Output Negate Control |
| | | | Updated section 22.8.1, Pin Settings after Reset |
| | | | Updated section 22.8.2, Pin Initialization Due to Error during Operation |
| | | | Updated section 22.9.2, GTCCRn Settings during Compare Match Operation (n = A to F) |
| | | | section 23, Asynchronous General Purpose Timer (AGT) |
| | | Updated the note 1 following Table 23.2, AGT I/O pins | |
| | | Updated section 23.2.1, AGT Counter Register (AGT) | |
| | | Updated section 23.2.7, AGT I/O Control Register (AGTIOC) to update note 1 following this section | |
| | | Updated section 23.3.1, Reload Register and Counter Rewrite Operation | |
| | | Updated Figure 23.7, Operation example 1 in event counter mode | |
| | | Updated Figure 23.8, Operation example 2 in event counter mode | |
| | | Updated title of Table 23.6, AGTIO pin setting to change AGTIO to AGTIO _n | |
| | | section 24, Realtime Clock (RTC) | Updated section 23.4.9, When Selecting PCLKB, PCLKB/8, or PCLKB/2 as the Count Source |
| | | | Updated section 24.2.22, Time Capture Control Register y (RTCCRy) (y = 0 to 2) |
| | | | Updated Figure 24.7, Using alarm function |
| | | section 25, Operation example in register start mode | Updated section 24.3.8.1, Automatic adjustment |
| | | | Updated Figure 25.3, Operation example in register start mode |
| | | section 27, USBFS specifications | Updated Figure 25.4, Operation example in auto-start mode |
| | | | Updated Table 27.1, USBFS specifications to remove the bullet "Communications with multiple peripheral devices...." from the Host controller features list |
| | | | Updated section 27.2.1, System Configuration Control Register (SYSCFG) for the CNEN bit name and description to change "Single End" to "single-ended" |
| | | | Updated section 27.2.4, CFIFO Port Register (CFIFO/CFIFOL) D0FIFO Port Register (D0FIFO/D0FIFOL) D1FIFO Port Register (D1FIFO/D1FIFOL) to change references to "port selection register" to "port select register" |
| | | | Updated section 27.2.5, CFIFO Port Select Register (CFIFOSEL) D0FIFO Port Select Register (D0FIFOSEL) D1FIFO Port Select Register (D1FIFOSEL) |
| | | | Updated section 27.2.13, Interrupt Status Register 0 (INTSTS0) |
| | | | Updated section 27.2.29, Pipe Cycle Control Register (PIPEPERI) |
| | | | Updated section 27.2.33, Device Address n Configuration Register (DEVADDn) (n = 0 to 5) to remove the sentence "Set these bits to 10b when a full-speed device is connected through the HUB" from the description for <code>USBSPPD[1:0]</code> |

| Rev. | Date | Chapter | Description |
|------|--------------|-------------------------------------------------------------|-------------------------------------------------------------------------------------------------------------------------------------------------------------------------------------|
| 1.10 | Jun 25, 2018 | section 27, USBFS specifications | Updated section 27.3.3.1, BRDY interrupt to change PIPEBRDY to PIPEnBRDY |
| | | | Updated Table 27.15, Condition for clearing BRDY bit |
| | | | Updated section 27.3.4.7, Data PID sequence bit |
| | | | Updated Table 27.20, FIFO port function settings to change the description for RCNT from "Selects DTLN[11:0]" to "Selects DTLN[8:0]" |
| | | | Updated Figure 27.24, Process flow for operating as portable device |
| | | section 28, Serial Communications Interface (SCI) | Updated section 28.2.4, Receive FIFO Data Register H, L, HL (FRDRH, FRDRL, FRDRHL) |
| | | | Updated section 28.2.10, Serial Mode Register for Smart Card Interface Mode (SMR_SMCI) (SCMR.SMIF = 1) |
| | | | Updated section 28.2.11, Serial Control Register (SCR) for Non-Smart Card Interface Mode (SCMR.SMIF = 0) |
| | | | Updated section 28.2.13, Serial Status Register (SSR) for Non-Smart Card Interface and Non-FIFO Mode (SCMR.SMIF = 0 and FCR.FM = 0) |
| | | | Updated section 28.2.14, Serial Status Register for Non-Smart Card Interface and FIFO Mode (SSR_FIFO) (SCMR.SMIF = 0 and FCR.FM = 1) |
| | | | Updated section 28.2.15, Serial Status Register for Smart Card Interface Mode (SSR_SMCI) (SCMR.SMIF = 1) |
| | | | Updated section 28.2.16, Smart Card Mode Register (SCMR) to remove reference to note 2 in description for b3 |
| | | | Updated section 28.2.17, Bit Rate Register (BRR) |
| | | | Updated Table 28.15, BRR settings for various bit rates in smart card interface mode, n = 0, S = 372 |
| | | | Updated Table 28.17, BRR settings for different bit rates in simple IIC mode |
| | | | Updated Table 28.18, Minimum widths at high and low level for SCL at different bit rates in simple IIC mode |
| | | | Updated section 28.2.19, Serial Extended Mode Register (SEMR) |
| | | | Updated section 28.2.23, I ² C Mode Register 3 (SIMR3) |
| | | | Updated section 28.2.31, Serial Port Register (SPTR) to change RXD pin to RXDn pin, and TXD pin to TXDn pin |
| | | | Updated section 28.3.5, CTS and RTS Functions |
| | | | Updated section 28.3.6, Address Match (Receive Data Match Detection) Function |
| | | | Updated Figure 28.5, Example of address match (1) in non-multi-processor mode |
| | | | Updated Figure 28.6, Example of address match (2) in multi-processor mode |
| | | | Updated Figure 28.12, Example flow of serial transmission in asynchronous mode with non-FIFO selected to change reference to TXD pin to TXDn pin |
| | | | Updated Figure 28.14, Example flow of serial transmission in asynchronous mode with FIFO selected to change reference to TXD pin to TXDn pin |
| | | | Updated section 28.4, Multi-Processor Communications Function |
| | | | Updated Figure 28.23, Example flow of multi-processor serial transmission with non-FIFO selected |
| | | | Updated Figure 28.25, Example flow of serial transmission in multi-processor mode with FIFO selected |
| | | | Updated section 28.5.2, CTS and RTS Functions |
| | | | Updated Figure 28.52, Data retransfer operation in SCI transmission mode |
| | | | Updated Figure 28.53, SSR.TEND flag generation timing during transmission |
| | | | Updated section 28.7.3, SDA Output Delay |
| | | | Updated section 28.8, Operation in Simple SPI Mode |
| | | | Updated Table 28.25, SCI interrupt sources with non-FIFO selected and added a note following the table |
| | | | Updated Table 28.26, SCI interrupt sources with FIFO selected and added a note following the table |
| | | | Updated Table 28.10.4, Interrupts in Smart Card Interface Mode |
| | | | Updated section 28.13, Noise Cancellation Function |
| | | | Updated section 28.14.2, SCI Operations during Low Power State |
| | | section 29, I ² C Bus Control Register 2 (ICCR2) | Updated section 29.2.2, I ² C Bus Control Register 2 (ICCR2) |
| | | | Updated Table 29.6, Example of ICBRH/ICBRL settings for transfer rate when SCLE = 0 through Table 29.8, Example of ICBRH/ICBRL settings for transfer rate when SCLE = 1 and NFE = 1 |
| | | | Updated section 29.3.1, Communication Data Format |
| | | | Updated section 29.3.3, Master Transmit Operation |

| Rev. | Date | Chapter | Description |
|------|--------------|-------------------------------------------------------------------------------------------------------------------|---------------------------------------------------------------------------------------------------------------------------------------------------------------------------------------------------------------------------------------------------------------------------------------|
| 1.10 | Jun 25, 2018 | section 29, I ² C Bus Control Register 2 (ICCR2) | Updated Figure 29.26, AASy flag set and clear timing with 7-bit and 10-bit address formats mixed |
| | | | Updated Figure 29.28, AASy/DID flag set/clear timing during reception of device ID |
| | | | Updated Figure 29.31, Example operation of normal wakeup modes 1 and 2 when wakeup by the interrupt (for example, IRQn) other than IIC wakeup interrupt |
| | | | Updated Figure 29.36, Example operation of command recovery and EEP response modes when wakeup is triggered by an interrupt other than IIC wakeup interrupt, for example, the IRQn |
| | | | Updated Figure 29.45, Start or restart condition issue timing using the ST and RS bits |
| | | | Updated Figure 29.48, Timeout function using the TMOE, TMOS, TMOH, and TMOL bits |
| | | | Updated Figure 29.50, SMBus timeout measurement |
| | | | Updated the heading of section 29.15, Register States when Issuing Each Condition from "Resets and Register and Function States when Issuing each Condition", and the contents of the section |
| | | | section 30, Controller Area Network (CAN) Module |
| | | Updated section 30.2.4, FIFO Received ID Compare Registers 0 and 1 (FIDCR0 and FIDCR1) | |
| | | Updated section 30.2.6, Mailbox Register j (MBj_ID, MBj_DL, MBj_Dm, MBj_TS) (j = 0 to 31, m = 0 to 7) | |
| | | Updated section 30.2.13, Transmit FIFO Control Register (TFCR) | |
| | | Updated Figure 30.3, Transmit FIFO mailbox operation when MIER_FIFO[25:24] = 01b or 11b | |
| | | Updated Figure 30.9, Transition between different modes of operation to rename CAN sleep mode 1 to CAN sleep mode | |
| | | Updated section 30.6, Acceptance Filtering and Masking Functions | |
| | | Updated section 30.7.2, Transmission to correct SENDTDATA to SENTDATA | |
| | | section 31, SPI Control Register (SPCR) | Updated section 31.2.1, SPI Control Register (SPCR) |
| | | | Updated section 31.2.4, SPI Status Register (SPSR) |
| | | | Updated Table 31.4, Relationship between SPCR settings and SPI modes |
| | | | Updated section 31.3.3.3, Single master and multi-slave with the MCU configured as a master |
| | | | Updated Figure 31.29, Clock stop waveform when serial transfer continues while receive buffer is full in master mode with CPHA = 1 |
| | | | Updated Figure 31.30, Clock stop waveform when serial transfer continues while receive buffer is full in master mode with CPHA = 0 |
| | | | Updated Figure 31.35, Error processing flow in master mode |
| | | | Updated Figure 31.40, Example of initialization flow in master mode for clock synchronous operation |
| | | | Updated section 31.3.11.2, Slave mode operation to change SSL0 to SSLn0 |
| | | | Updated Table 31.14, Conditions for generation of transmission-completed event in slave mode |
| | | section 32, CRC calculator specifications | Updated table title for Table 32.1, CRC calculator specifications |
| | | | Updated figure title for Figure 32.1, CRC calculator block diagram |
| | | section 33, Receive FIFO Data Register (SSIFRDR) | Updated section 33.4.6, Receive FIFO Data Register (SSIFRDR) |
| | | section 35, ADC14 specifications | Updated Table 35.1, ADC14 specifications |
| | | | Updated section 35.2.1, A/D Data Registers y (ADDRy), A/D Data Duplexing Register (ADDBLDR), A/D Data Duplexing Register A (ADDBLDRA), A/D Data Duplexing Register B (ADDBLDRB), A/D Temperature Sensor Data Register (ADTSDR), A/D Internal Reference Voltage Data Register (ADOCDR) |
| | | | Updated section 35.2.3, A/D Control Register (ADCSR) |
| | | | Updated section 35.2.13, A/D Conversion Extended Input Control Register (ADEXICR) to update ADESICR to ADEXICR |
| | | | Updated the note 1 following Table 35.8, Relationship between A/D Sampling State Register n and associated channels |
| | | | Updated section 35.2.20, A/D Compare Function Window A Extended Input Select Register (ADCOMPANSE) |
| | | | Updated section 35.3.1, Scanning Operation |
| | | | Updated section 35.3.2.2, Channel selection and self-diagnosis |

| Rev. | Date | Chapter | Description | |
|------|--------------|------------------------------------------------------------------------------------------------|--------------------------------------------------------------------------------------------------------------------------------------------------------------------------------------------------------------------------------------------------------------------------------------------------------------------------------|----------------------------------------------------------------------------|
| 1.10 | Jun 25, 2018 | section 35, ADC14 specifications | Updated Figure 35.8, Example of basic operation in single scan mode when AN000 and temperature sensor output or internal reference voltage is selected | |
| | | | Updated section 35.3.4.3, Operation with group A priority control | |
| | | | Updated Figure 35.15, Flow for ADGSPCR.PGS bit setting | |
| | | | Updated Figure 35.16, Example of operations under group A priority control (1), when ADGSPCR.GBRSCN = 1 and ADGSPCR.GBRP = 0 | |
| | | | Updated Figure 35.17, Example operation with group A priority control (2), when ADGSPCR.GBRSCN = 1 and ADGSPCR.GBRP = 0 | |
| | | | Updated Figure 35.18, Example operation with group A priority control (3), when ADGSPCR.GBRSCN = 1 and ADGSPCR.GBRP = 0 | |
| | | | Updated Figure 35.19, Example operation with group A priority control (4), when ADGSPCR.GBRSCN = 0 and ADGSPCR.GBRP = 0 | |
| | | | Updated Figure 35.20, Example operation with group A priority control (5) when ADGSPCR.GBRP = 1 | |
| | | | Updated Table 35.10, Times for conversion during scanning (in numbers of ADCLK and PCLKB cycles) | |
| | | | Updated section 35.8.3, A/D Conversion Restarting Timing and Termination Timing | |
| | | | Updated section 35.8.9, Notes on Operating Modes and Status Bits | |
| | | | Updated Figure 35.31, Procedure for clearing the ADCSR.ADST bit through software | |
| | | | Updated section 35.8.12, Port Setting when Using the 14-bit A/D Converter Input | |
| | | | Updated section 35.8.13, Relationship between the ADC14, OPAMP, and ACMPLP | |
| | | | section 36, 12-Bit D/A Converter (DAC12) | Updated section 36.2.2, D/A Control Register (DACR) |
| | | Updated section 36.3, Operation | | |
| | | Updated section 36.3.2, Notes on Using the Internal Reference Voltage as the Reference Voltage | | |
| | | Updated section 36.4, Event Link Operation Setting Procedure | | |
| | | Updated section 36.6.2, DAC12 Operation in Module-Stop State | | |
| | | Updated section 36.6.3, DAC12 Operation in Software Standby Mode | | |
| | | section 38, Operational Amplifier (OPAMP) | Updated section 38.1, Overview | |
| | | | Updated section 38.2.1, Operational Amplifier Mode Control Register (AMPMC) | |
| | | | Renamed the first note following Figure 38.3, Operational amplifier control operation in software trigger mode used for control when the reference current circuit and operational amplifier are activated/stopped by software trigger mode to note 1 | |
| | | | Updated the notes following Figure 38.4, Operational amplifier control operation when activation trigger mode is used for activation with the reference current circuit and operational amplifier activated by an activation trigger and stopped by setting the AMPC register | |
| | | | Renamed the first note following Figure 38.5, Operational amplifier control operation (activation and A/D trigger mode (1) with the reference current circuit and operational amplifier activated by an activation trigger and stopped by an A/D conversion end (trigger) to note 1 | |
| | | | Renamed the first note following Figure 38.6, Operational amplifier control operation (activation and A/D trigger mode (2) with the reference current circuit and operational amplifier stopped by setting the AMPC register to be activated by an activation trigger and stopped by an A/D conversion end (trigger) to note 1 | |
| | | | Updated Figure 38.7, Procedure to start and stop OPAMP in software trigger mode | |
| | | | Updated section 38.7, Usage Notes | |
| | | | section 39, Procedure for setting the ACMPLP associated registers (i = 0, 1) | Updated Figure 39.1, ACMPLP block diagram when window function is disabled |
| | | | | Updated Figure 39.2, ACMPLP block diagram when window function is enabled |
| | | Updated Table 39.3, Procedure for setting the ACMPLP associated registers (i = 0, 1) | | |
| | | Updated section 39.6, ELC Event Output | | |
| | | Updated section 39.8, Comparator Pin Output | | |
| | | section 41, Capacitive Touch Sensing Unit (CTSUS) | Updated section 41.2.13, CTSUS Channel Transmit/Receive Control Register 1 (CTSUCHTRC1) | |
| | | | Updated Figure 41.9, CTSUS initial setting flow | |
| | | section 44, Flash Memory | Updated Table 44.1, Specifications of the code flash memory and data flash memory to change the code flash memory capacity from 512 KB to 256 KB | |
| | | | Updated section 44.2, Memory Structure | |
| | | | Updated Figure 44.4, FCACHE block diagram | |

| Rev. | Date | Chapter | Description | | |
|-----------------------------------------------|----------------------------------------------------------------------------------|------------------------------------------------|------------------------------------------------------------------------------------------------------------------|----------------------------------------|--------------------------------------------------------------------|
| 1.10 | Jun 25, 2018 | section 44, Flash Memory | Removed section 44.3.2.3, Flash Wait Cycle Register (FLWT) | | |
| | | | Updated Table 44.4, Flash cache overview | | |
| | | | Updated Table 44.6, Specifications for ID code protection | | |
| | | | Updated Figure 44.10, System configuration in USB boot mode | | |
| | | section 46, Secure Cryptographic Engine (SCE5) | Added section 46, Secure Cryptographic Engine (SCE5) | | |
| | | section 48, Electrical Characteristics | Corrected VRERH to VREFH in the introduction to section 48, Electrical Characteristics | | |
| | | | Updated Table 48.2, Recommended operating conditions | | |
| | | | Updated note 6 following Table 48.11, Operating and standby current (1) | | |
| | | | Updated Table 48.22, Clock timing | | |
| | | | Updated Table 48.31, I/O Ports, POEG, GPT, AGT, KINT, and ADC14 trigger timing | | |
| | | | Updated Figure 48.47, SCI simple SPI mode timing for master when CKPH = 1 | | |
| | | | Updated Table 48.35, SCI timing (3) to remove reference to tPcyc:PCLKB cycle that is not required for this table | | |
| | | | Updated Table 48.36, SPI timing | | |
| | | | Updated Table 48.42, A/D conversion characteristics (1) in high-speed A/D conversion mode | | |
| | | | Updated Table 48.43, A/D conversion characteristics (2) in high-speed A/D conversion mode | | |
| | | | Updated Table 48.44, A/D conversion characteristics (3) in high-speed A/D conversion mode | | |
| | | | Updated Table 48.45, A/D conversion characteristics (4) in low power A/D conversion mode | | |
| | | | Updated Table 48.46, A/D conversion characteristics (5) in low power A/D conversion mode | | |
| | | | Updated Table 48.47, A/D conversion characteristics (6) in low power A/D conversion mode | | |
| | | | Updated Table 48.48, A/D conversion characteristics (7) in low power A/D conversion mode | | |
| | | | Added Figure 48.69, Equivalent circuit for analog input | | |
| | | | Updated Figure 48.70, Illustration of 14-bit A/D converter characteristic terms | | |
| | | | Updated Table 48.50, A/D internal reference voltage characteristics and added notes 3 and 4 following the table | | |
| | | | Updated Figure 48.74, Power-on reset timing | | |
| | | | Updated Table 48.67, ACMPLP characteristics | | |
| | | | Updated Table 48.68, OPAMP characteristics | | |
| | | | Updated Table 48.70, Code flash characteristics (2) | | |
| | | | Updated title of section 48.17, Joint Test Action Group (JTAG) from Joint European Test Action Group (JTAG) | | |
| | | section 3, I/O Registers | Updated Table 3.2, Access cycles for non-GPT modules | | |
| | | | Updated Table 3.4, Register description to remove the entry for FLWT in the FCACHE row | | |
| | | 1.20 | Aug 30, 2019 | section 7, Low Voltage Detection (LVD) | Updated description of DET flag in section 7.2.2 and section 7.2.4 |
| | | | | section 8, Clock Generation Circuit | Updated Table 8.1 |
| | | | | | Updated section 8.2.2 |
| Updated section 8.7.1 and section 8.7.2 | | | | | |
| section 13, Interrupt Controller Unit (ICU) | Updated section 13.6.3 | | | | |
| section 16, DMA Controller (DMAC) | Updated Figure 16.1 | | | | |
| section 19, I/O Ports | Updated section 19.2.1, section 19.2.2, and section 19.2.4 | | | | |
| section 21, Port Output Enable for GPT (POEG) | Changed references of GTETRGA and GTETRGB to GTETRGN throughout document | | | | |
| | Updated Figure 21.4 | | | | |
| section 22, General PWM Timer (GPT) | Updated 22.2.8, 22.2.9, 22.2.14 | | | | |
| | Updated information about noise filtering in section 22.6, Noise Filter Function | | | | |
| | Updated section 22.9.4, Starting and Stopping the GTCNT Counter | | | | |

| Rev. | Date | Chapter | Description |
|------|--------------|------------------------------------------------------|-------------------------------------------------------------------------------------------------------------------------------------------------------------------------------|
| 1.20 | Aug 30, 2019 | section 23, Asynchronous General Purpose Timer (AGT) | Added section 23.4.11, When Switching Source Clock |
| | | section 24, Realtime Clock (RTC) | Added section 24.6.8, When Switching Source Clock |
| | | section 30, Controller Area Network (CAN) Module | Updated description for the CAN clock source in Table 30.1 |
| | | section 31, Serial Peripheral Interface (SPI) | Updated section 31.3.10.1 and section 31.3.10.2 Updated section 31.3.11.1 |
| | | section 41, Capacitive Touch Sensing Unit (CTSU) | Changed the access permission for b4 in section 41.2.1, CTSU Control Register 0 (CTSUCR0) |
| | | section 48, Electrical Characteristics | Updated Figure 48.21 , Figure 48.22 , and Figure 48.23 Updated Table 48.30 and Table 48.31 |

S3A6 Microcontroller Group User's Manual

Publication Date: Rev.1.20 Aug 30, 2019

Published by: Renesas Electronics Corporation

**SALES OFFICES****Renesas Electronics Corporation**<http://www.renesas.com>Refer to "<http://www.renesas.com/>" for the latest and detailed information.**Renesas Electronics Corporation**

TOYOSU FORESIA, 3-2-24 Toyosu, Koto-ku, Tokyo 135-0061, Japan

Renesas Electronics America Inc.1001 Murphy Ranch Road, Milpitas, CA 95035, U.S.A.
Tel: +1-408-432-8888, Fax: +1-408-434-5351**Renesas Electronics Canada Limited**9251 Yonge Street, Suite 8309 Richmond Hill, Ontario Canada L4C 9T3
Tel: +1-905-237-2004**Renesas Electronics Europe GmbH**Arcadiastrasse 10, 40472 Düsseldorf, Germany
Tel: +49-211-6503-0, Fax: +49-211-6503-1327**Renesas Electronics (China) Co., Ltd.**Room 101-T01, Floor 1, Building 7, Yard No. 7, 8th Street, Shangdi, Haidian District, Beijing 100085, China
Tel: +86-10-8235-1155, Fax: +86-10-8235-7679**Renesas Electronics (Shanghai) Co., Ltd.**Unit 301, Tower A, Central Towers, 555 Langao Road, Putuo District, Shanghai 200333, China
Tel: +86-21-2226-0888, Fax: +86-21-2226-0999**Renesas Electronics Hong Kong Limited**Unit 1601-1611, 16/F., Tower 2, Grand Century Place, 193 Prince Edward Road West, Mongkok, Kowloon, Hong Kong
Tel: +852-2265-6688, Fax: +852 2886-9022**Renesas Electronics Taiwan Co., Ltd.**13F, No. 363, Fu Shing North Road, Taipei 10543, Taiwan
Tel: +886-2-8175-9600, Fax: +886 2-8175-9670**Renesas Electronics Singapore Pte. Ltd.**80 Bendemeer Road, Unit #06-02 Hyflux Innovation Centre, Singapore 339949
Tel: +65-6213-0200, Fax: +65-6213-0300**Renesas Electronics Malaysia Sdn.Bhd.**Unit No 3A-1 Level 3A Tower 8 UOA Business Park, No 1 Jalan Pengaturcara U1/51A, Seksyen U1, 40150 Shah Alam, Selangor, Malaysia
Tel: +60-3-5022-1288, Fax: +60-3-5022-1290**Renesas Electronics India Pvt. Ltd.**No.777C, 100 Feet Road, HAL 2nd Stage, Indiranagar, Bangalore 560 038, India
Tel: +91-80-67208700**Renesas Electronics Korea Co., Ltd.**17F, KAMCO Yangjae Tower, 262, Gangnam-daero, Gangnam-gu, Seoul, 06265 Korea
Tel: +82-2-558-3737, Fax: +82-2-558-5338